

- (23T) DRAINAGE SYSTEM-HEATED
- (1B1) CODES/STANDARDS-USA
- (265) CODES/STANDARDS-CSA/CMVSS
- (464) TOILET

- NOTES:
8. SEE WIRING INSTL-BODY, 12V FOR ELECTRICAL CONNECTION.
 7. SECURE VENT TUBES TO FLOOR WITH CLAMP 62401-02-000 (2), SCREW G67-10-12B (2), BRACKET 136878-01-CHT (2).
 6. VENT PIPE MUST PROJECT 51 MIN AND 64 MAX ABOVE ROOF FOR PROPER FIT AND FUNCTION.
 5. SEAL AROUND SHOWER WITH SILICONE.
 4. ALL EXTERIOR OPENINGS AROUND PIPE TO BE SEALED WITH 131264-03-000.
 3. ALL PIPE AND FITTINGS TO BE ASSEMBLED WITH SOLVENT 4020-01-000 (USA), 4020-02-000 (CAN)
 2. SLOPE OF TRAP ARM MUST BE 6 PER 305 mm.
 1. SLOPE OF HORIZONTAL PIPING TO BE MIN 3 PER 305 mm.

FOR
DRAINAGE
CALLOUTS
SEE DWG NO
116229-01-000

WINNEBAGO		COPYRIGHT 2006 WINNEBAGO INDUSTRIES, INC.	
DFTR	ORIG. DATE	ALL DIMENSIONS ARE IN MILLIMETERS	
CHKR		FIRST USED	
P.E.		07 229T	
M.E.		UNSPECIFIED TOLERANCES ARE:	
DSNR		MATERIAL:	
		WHOLE DIM (X)	: 3
		ONE-PLACE (X.X)	: 1.5
		TWO-PLACE (X.XX)	: 0.50
		ANGLE	: 1°
THIRD ANGLE PROJECTION		DO NOT SCALE DRAWING	
TITLE: DRAINAGE SYSTEM INSTL			
SHEET 1 OF 3	PART NO	157031	REV
REF:	12/18/2006		

SINK-DBL,L/S BASIN
148870-01-CHT
STRAINER
92303-01-000 (2)
BRACKET
140002-01-CHT (8)
SCREW
G67-10-08B (8)
SEAL
(A/R)

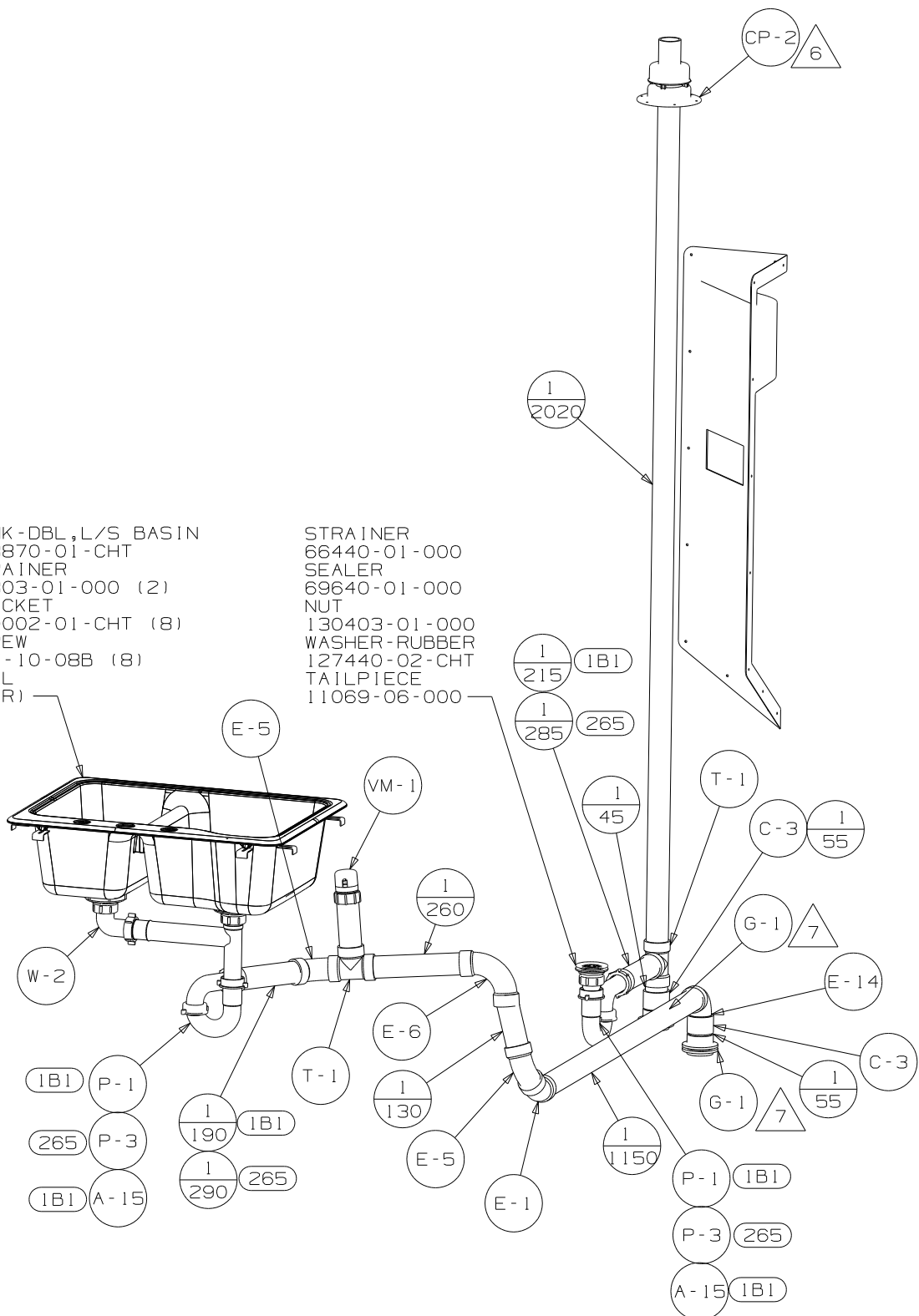
STRAINER
66440-01-000
SEALER
69640-01-000
NUT
130403-01-000
WASHER-RUBBER
127440-02-CHT
TAILPIECE
11069-06-000

CADDY-SHOWER
105707-01-CHT
SCREW
G11-08-12U (8)
G39-08-12U (8)
COVER
78500-01-CHT (16)
RETAINER
113714-02-CHT
SCREW
G11-08-12U
G39-08-12U
COVER
78500-01-CHT (2)

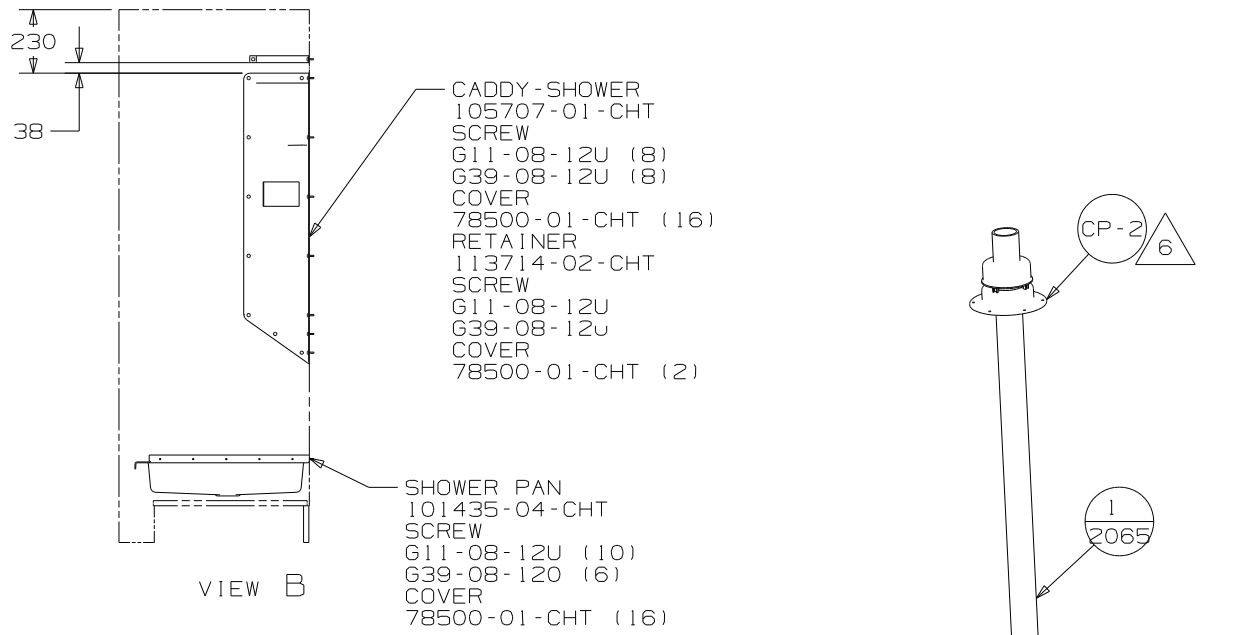
SHOWER PAN
101435-04-CHT
SCREW
G11-08-12U (10)
G39-08-12U (6)
COVER
78500-01-CHT (16)

SINK-LAVATORY
96927-01-CHT
SEAL
91255-02-000 (A/R)

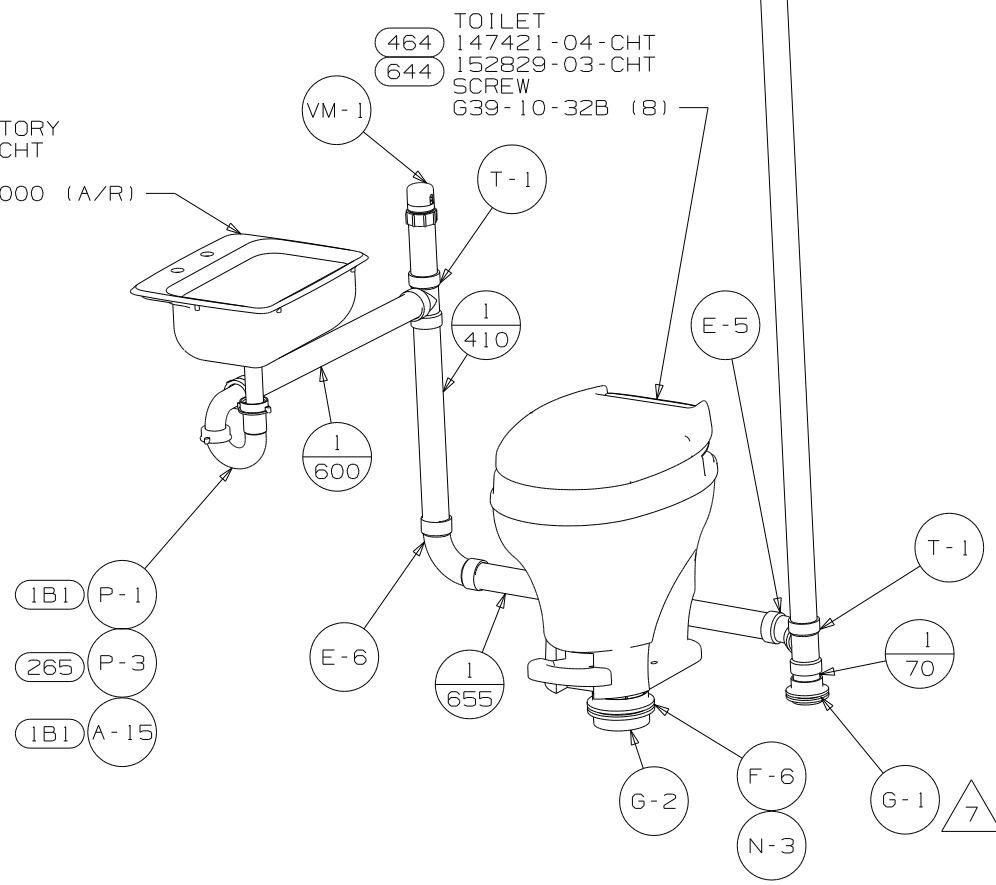
TOILET
464 147421-04-CHT
644 152829-03-CHT
SCREW
G39-10-32B (8)



VIEW A

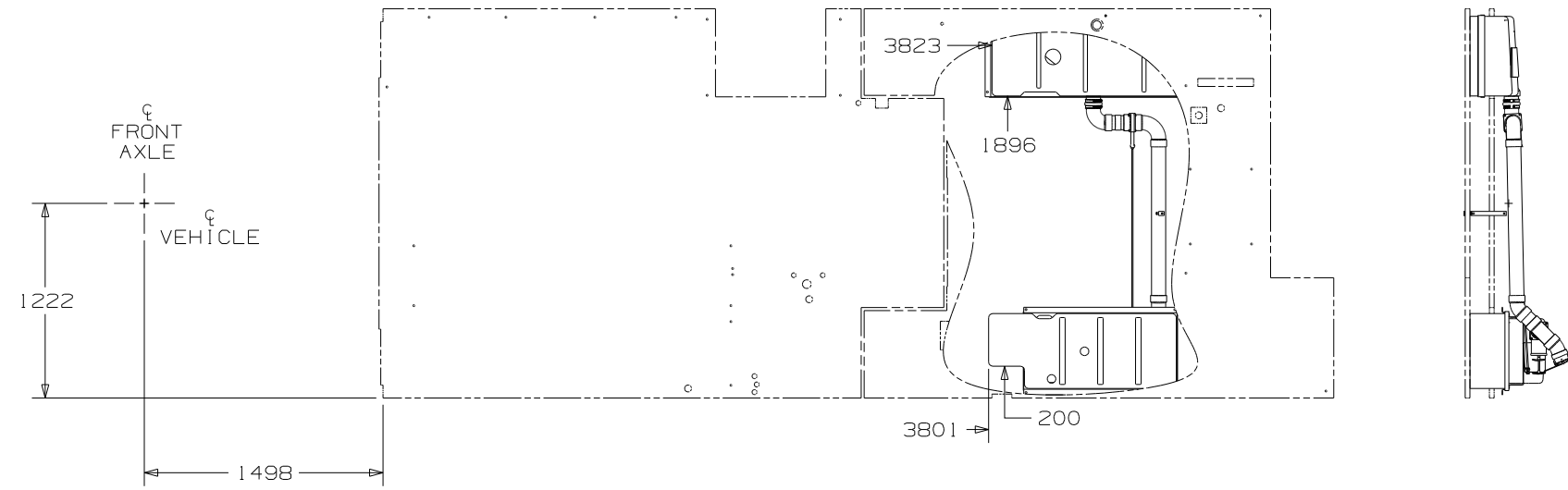


VIEW B

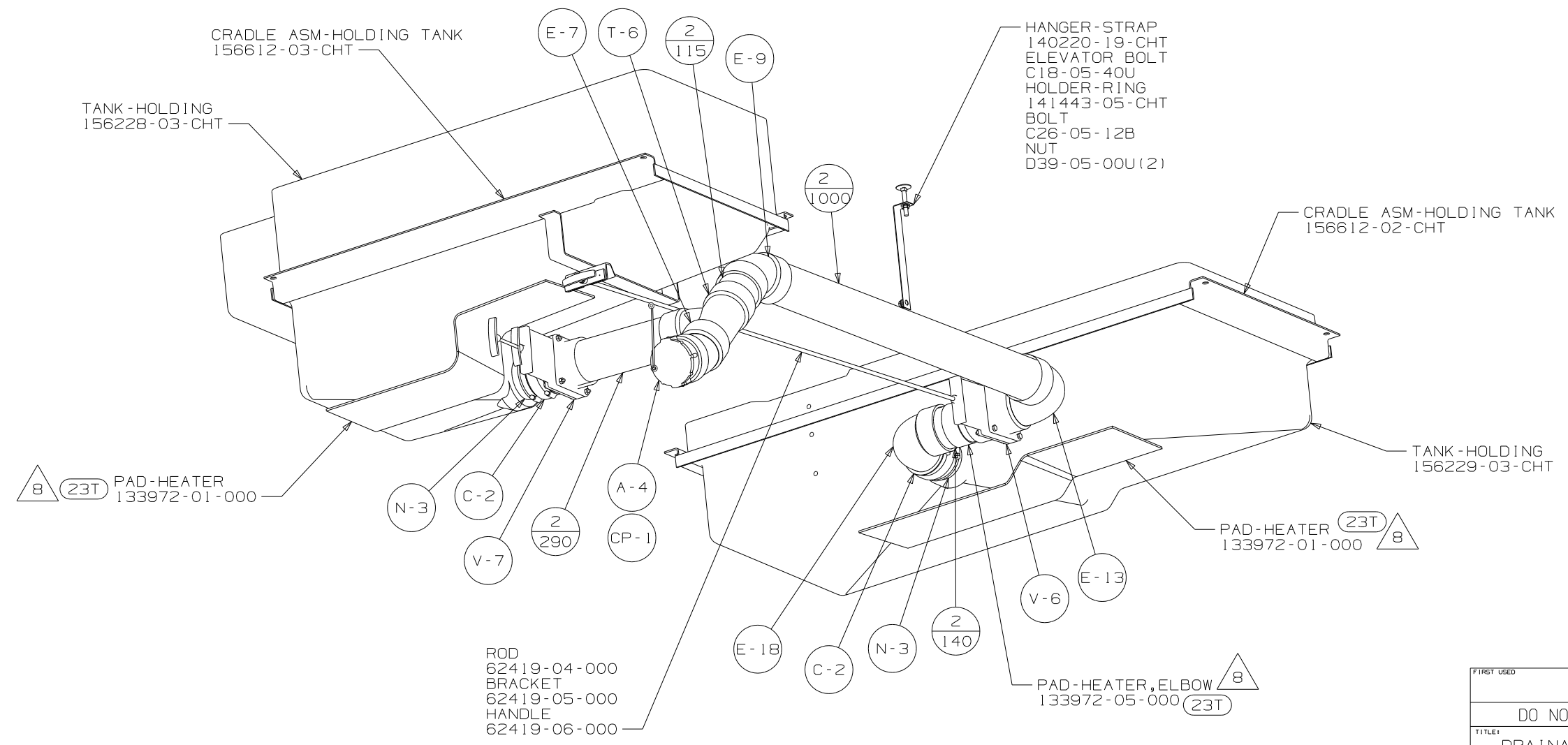


VIEW C

FIRST USED	07 229T	
DO NOT SCALE DRAWING		
TITLE:	DRAINAGE SYSTEM INSTL	
SHEET 2	PART NO	157031
REV		



VIEW D



FIRST USED	07 229T
DO NOT SCALE DRAWING	
TITLE	DRAINAGE SYSTEM INSTL
SHEET 3	PART NO 157031 REV

8

7

6

5

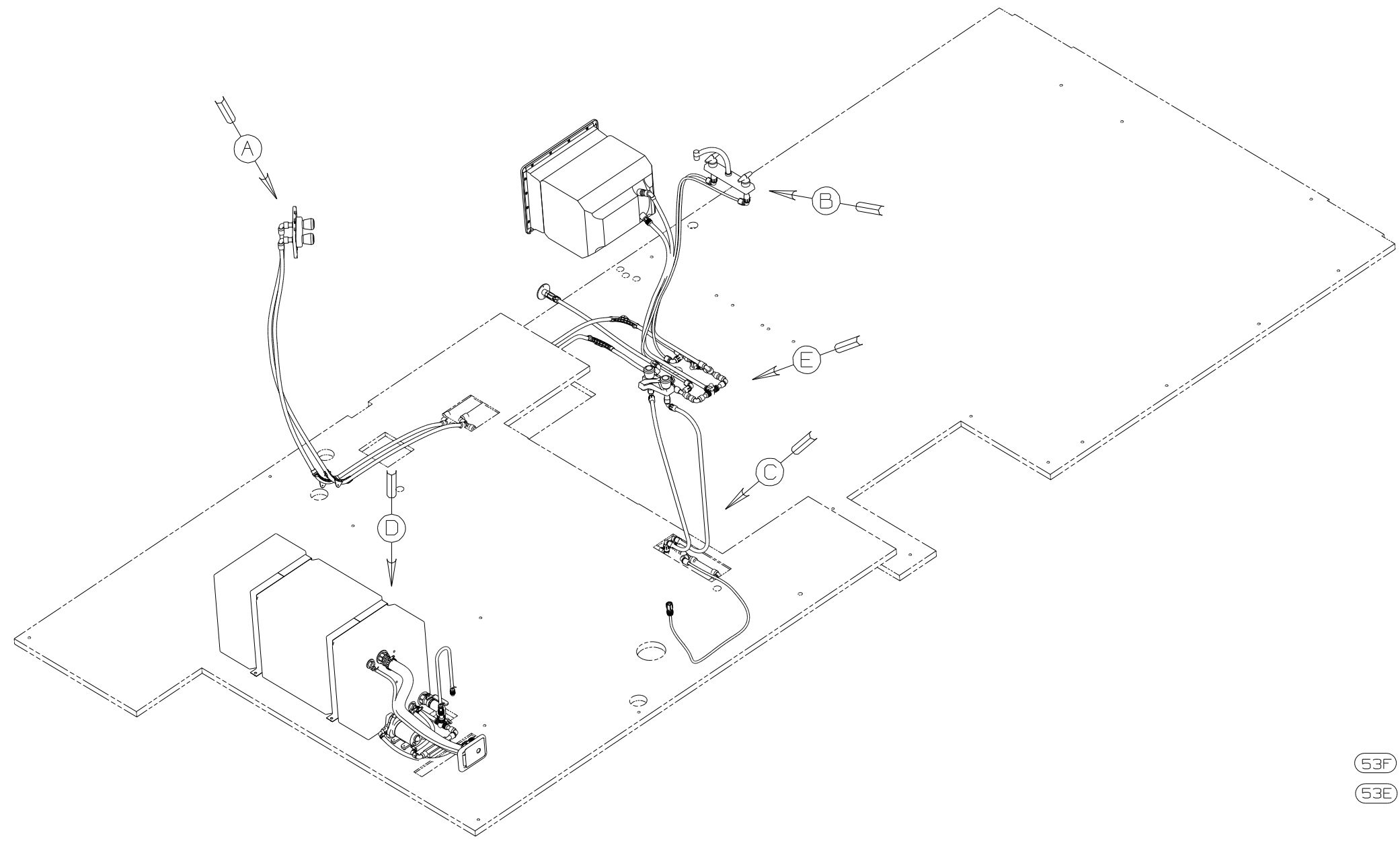
4

3

2

1

RELEASE	REV DATE	DWG NO
A		157033
REV ZONE	REVISION RECORD	DATE DFR-ORIG



- (53F) WATER HEATER-ELEC. IGNITION
- (53E) WATER SYS WINTERIZATION PKG

- NOTES:
3. ALL TUBING TO BE SECURED AT 1200 INTERVALS MAXIMUM WITH CLAMP 10495-01-000 AND SCREW G67-10-12B OR EQUIVALENT.
 2. TUBING TO BE INSTALLED WITH SUFFICIENT SLOPE TO PROVIDE DRAINAGE TO NEAREST VALVE.
 1. PLASTIC FITTINGS TO BE SEALED WITH SEALANT 84456-01-000.

(X-X)
FOR
WATER
CALLOUTS
SEE DWG NO
116230-01-000

WINNEBAGO		COPYRIGHT 2006 WINNEBAGO INDUSTRIES, INC.	
DFTR	ORIG. DATE	ALL DIMENSIONS ARE IN MILLIMETERS	
CHKR		FIRST USED	
P.E.		07 229T	
M.E.		UNSPECIFIED TOLERANCES ARE:	
DSNR		MATERIAL:	
		WHOLE DIM (X)	: 3
		ONE-PLACE (X.X)	: 1.5
		TWO-PLACE (X.XX)	: 0.50
		ANGLE	: 1°
THIRD ANGLE PROJECTION		DO NOT SCALE DRAWING	
TITLE: WATER SYSTEM INSTL			
SHEET 1 OF 3	PART NO	157033	REV
REF:	1 12/21/2006		

8

7

6

5

4

3

2

1

PANEL - SHOWER
78498-01-CHT
SH-1
SCREW
G11-08-16U (3)
NUT - SPEED-U
40921-05-000 (4)

FAUCET-LAV
148886-01-CHT

FAUCET-GALLEY
140117-02-CHT

STRAP-TANK, WATER
118994-10-CHT (2)

TANK-WATER, 36 GAL
156167-03-000

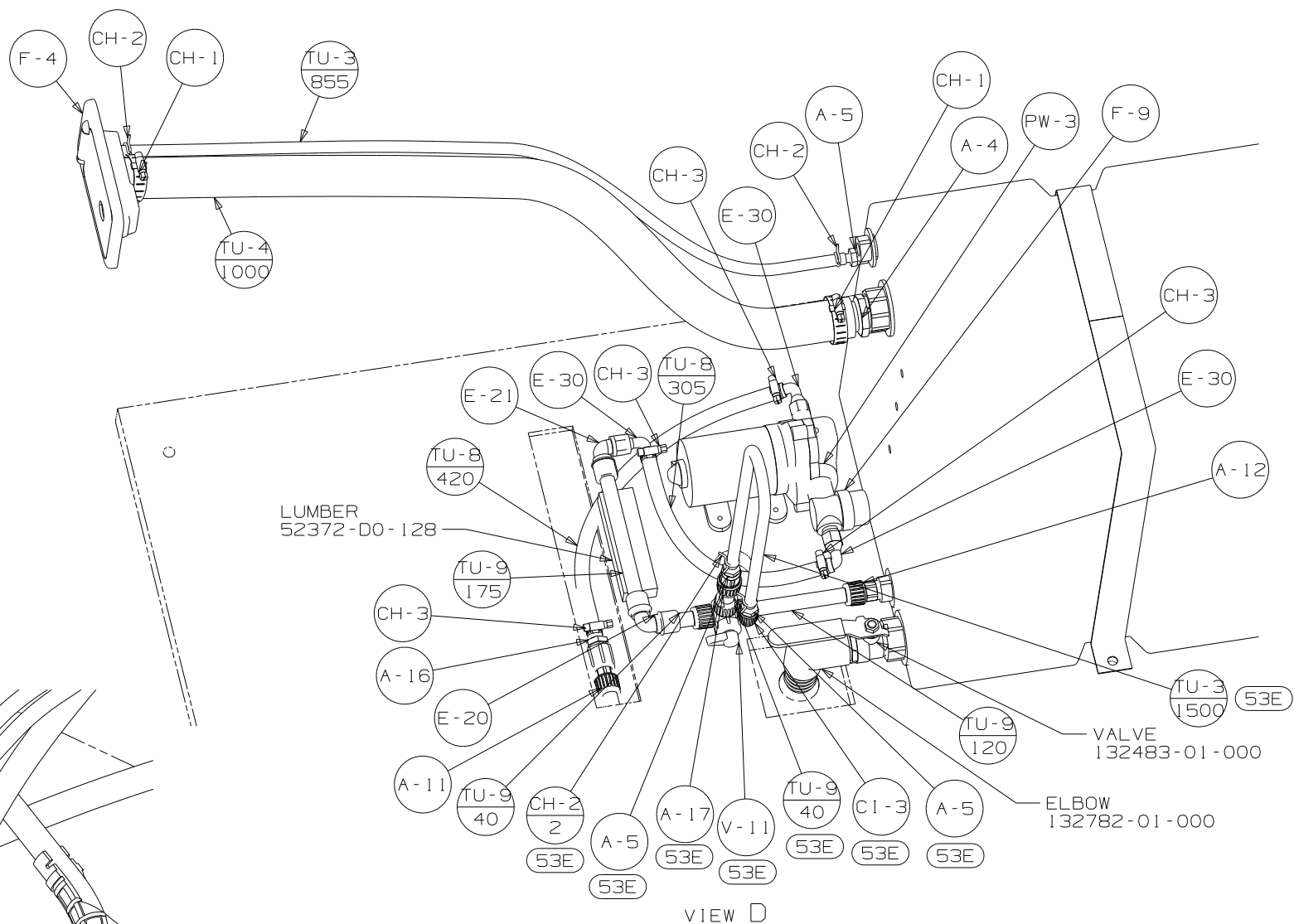
WATER HEATER
51391-03-000 (53F)
DOOR
78506-01-CHT
AL EXTR
2726-01-210 (2)
2726-01-212 (2)
SCREW
G39-10-169 (18)
SEALANT
CABLE
76767-03-000
SCREW
G11-06-08B (2)

VIEW A
(SHOWN WITHOUT FLOOR)

VIEW C
(SHOWN WITHOUT FLOOR)

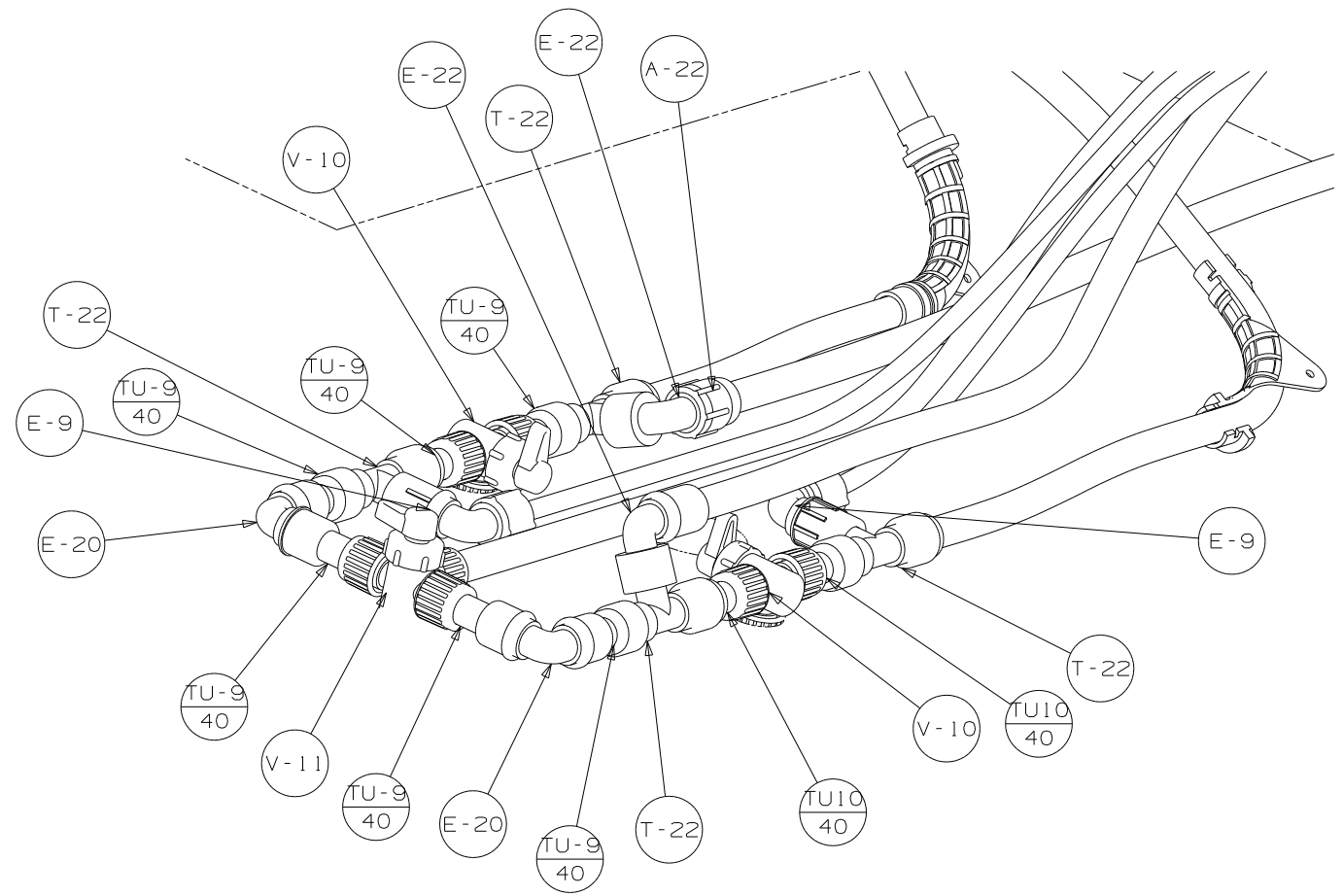
VIEW B

FIRST USED	07 229T
TITLE	DO NOT SCALE DRAWING
SHEET 2	PART NO 157033
	REV



VIEW D

LUMBER
52372-D0-128



VIEW E

FIRST USED	07 229T
TITLE	DO NOT SCALE DRAWING
SHEET 3	PART NO 157033
	REV