

Table of Contents

2007 Access/Impulse 229T Wiring Diagram Book

110 Volt Load Center/Auto Transfer Switch
Antenna Installation, Radio and CB
Auto Lamps Wiring Diagram
Backup Monitor Installation
Battery Installation
Body, 110 Volt Wiring Diagram
Body, 110 Volt Wiring Installation
Body, 12 Volt Wiring Diagram
Body, 12 Volt Wiring Installation
Chassis Electrical Box Assembly
Chassis Wiring Installation
Dash Radio Installation
Exterior Lamps Wiring Installation
Holding Tank Monitor Panel
Holding Tanks Wiring Diagram
TV Coax Wiring Diagram
TV/DVD, Side Wiring Installation

Complete Wiring Diagram Book (701674-76-005)





DANGER

Danger of electrical shock, burns or death. Always remove all power sources before attempting any repair, service or diagnostic work. Power can be present from shore power, generator, inverter or battery. All power sources must be disabled and secured before performing any service.



CAUTION

If you lack the skills, tools or equipment to perform diagnostic or repair work leave such work to an authorized Winnebago Industries dealer or other qualified shop.

| 8 | | 7 | 6 | 5 | 4 | 3 | 2 |
|---------------------|-----|---------------|---------------------|---------------------|---------------------|---------------------|---------------------|
| | | 222B | 224V | 226A | 228P | 229T | 231C |
| GROUND | 8-G | 136145-02-023 | 136145-02-016 | 136145-02-019 | 136145-02-022 | 136145-02-012 | 136145-02-022 |
| WIRE ASM 110V US | | 159950-01-000 | 158847-01-000 | 155288-01-000 | 159004-01-000 | 157275-01-000 | 155854-01-000 |
| WIRE ASM 110V CA | | 159950-02-000 | 158847-02-000 | 155288-02-000 | 159004-02-000 | 157275-02-000 | 155854-02-000 |
| GENERATOR CABLE ASM | UL | X | 8022-01-000 (4400) | 8022-01-000 (5000) | 8022-01-000 (7000) | X | X |
| | CA | X | 24743-01-000 (4400) | 24743-01-000 (5000) | 24743-01-000 (7000) | X | X |
| CONDUIT | | X | 91234-01-000 (4000) | 91234-01-000 (4500) | 91234-01-000 (6500) | X | X |
| THROW-IN #1 | UL | X | 136131-02-012 (IMB) | X | 136131-03-006 (6) | X | 136131-03-012 (40B) |
| | CA | X | 136134-02-012 (IMB) | X | 136134-03-006 (6) | X | 136134-03-012 (40B) |
| THROW-IN #2 | UL | X | X | X | X | X | 136131-04-015 (40B) |
| | CA | X | X | X | X | X | 136134-04-015 (40B) |
| MAIN EXTENSION | UL | X | X | X | 8022-01-000 (4500) | 8022-01-000 (3400) | 8022-01-000 (4000) |
| | CA | X | X | X | 24743-01-000 (4500) | 24743-01-000 (3400) | 24743-01-000 (4000) |
| CONDUIT | | X | X | X | 91234-01-000 (4000) | 91234-01-000 (3000) | 91234-01-000 (3600) |

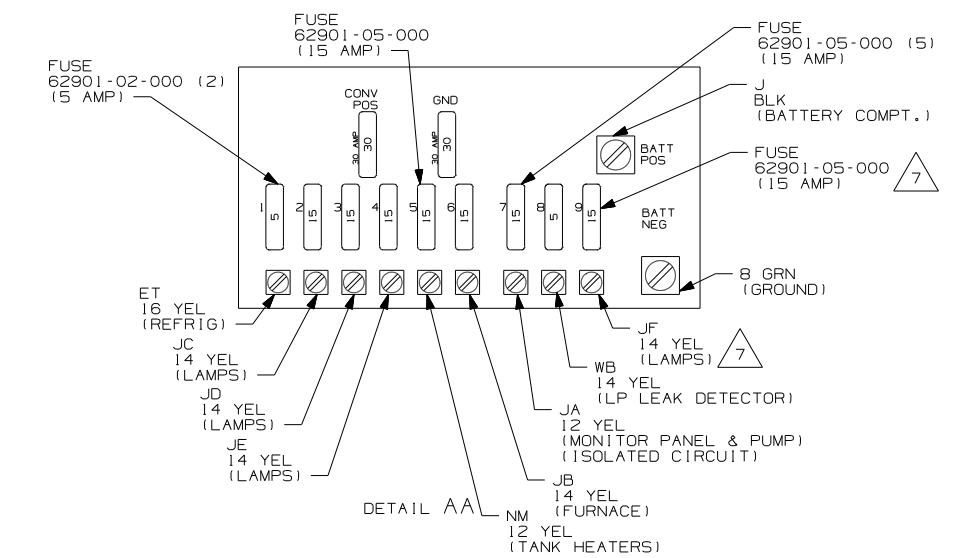
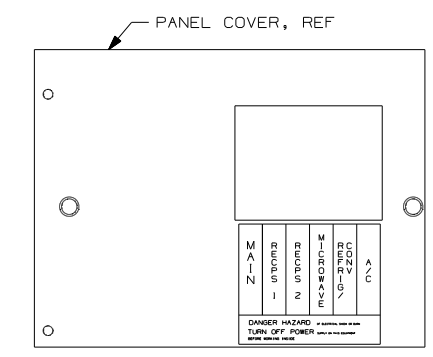
| C | | 325F | 327L | 329B | 331C | 331H |
|---------------------|-----|---------------------|---------------------|---------------------|---------------------|---------------------|
| GROUND | 8-G | 136145-02-020 | 136145-02-015 | 136145-02-015 | 136145-02-022 | 136145-02-015 |
| WIRE ASM 110V US | | 159525-01-000 | 159970-01-000 | 157336-01-000 | 155922-01-000 | 158219-01-000 |
| WIRE ASM 110V CA | | 159525-02-000 | 159970-02-000 | 157336-02-000 | 155922-02-000 | 158219-02-000 |
| GENERATOR CABLE ASM | UL | 136137-01-041 | X | 136137-01-025 | X | X |
| | CA | 136138-01-041 | X | 136138-01-025 | X | X |
| THROW-IN #1 | UL | 136135-09-013 (53Z) | 136135-09-030 (53Z) | 136135-09-040 (53Z) | 136135-09-020 (53Z) | 136135-09-020 (53Z) |
| | CA | 136136-09-013 (53Z) | 136136-09-030 (53Z) | 136136-09-040 (53Z) | 136136-09-020 (53Z) | 136136-09-020 (53Z) |
| THROW-IN #2 | UL | X | 136131-03-009 (6) | X | 136131-01-006 (644) | 136135-06-008 |
| | CA | X | 136134-03-009 (6) | X | 136134-01-006 (644) | 136136-06-008 |
| THROW-IN #3 | UL | X | X | X | X | 136135-06-010 (53Z) |
| | CA | X | X | X | X | 136136-06-010 (53Z) |
| SLIDEOUT WIRE #1 | UL | X | 136151-03-020 (8) | 136151-03-017 (8) | X | X |
| | CA | X | X | X | 8022-01-000 (2400) | 8022-01-000 (2400) |
| MAIN EXTENSION | UL | X | X | X | 24742-01-000 (2400) | 24742-01-000 (2400) |
| | CA | X | X | X | 91234-01-000 (2400) | 91234-01-000 (2000) |
| CONDUIT | | X | X | X | | |

| A | | 723D | 726A | 729H |
|---------------------|-----|---------------------|---------------------|---------------------|
| GROUND | 8-G | 136145-02-025 | 136145-02-014 | 136145-02-018 |
| WIRE ASM 110V US | | 157666-01-000 | 156904-01-000 | 158229-01-000 |
| WIRE ASM 110V CA | | 157666-02-000 | 156904-02-000 | 158229-02-000 |
| GENERATOR CABLE ASM | UL | 136137-01-035 (40N) | 136137-01-038 (40N) | 136137-01-039 (40N) |
| | CA | 136138-01-035 (40N) | 136138-01-038 (40N) | 136138-01-039 (40N) |
| THROW IN #1 | UL | 136135-01-015 (53B) | 136135-09-012 (53B) | 136135-09-015 (53B) |
| | CA | 136136-09-015 (53B) | 136136-09-012 (53B) | 136136-09-015 (53B) |
| SLIDEOUT WIRE #1 | | X | X | 136151-03-020 (6) |

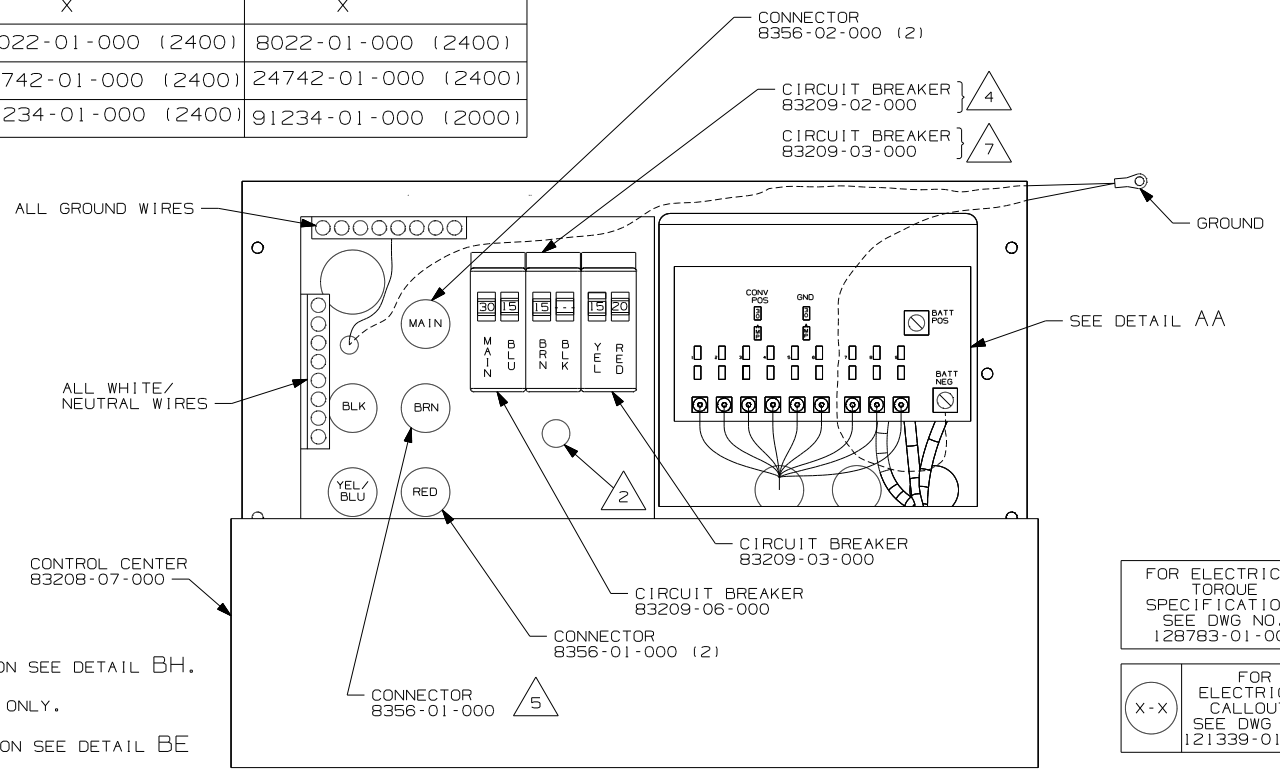
5 NOT USED WITH 222B
 4 USED ON 200 SERIES ONLY.
 3 SEE WIRING INSLT-BODY, 12V FOR ADDITIONAL INFORMATION.
 2 SECURE WIRES TO BACKSIDE OF LOAD CENTER WITH WIRE TIE 116673-01-000.
 1. ALL GROUND WIRES TO BE COVERED WITH TUBING 8041-02-000.
 NOTES:

8 FOR CONNECTOR INSTALLATION SEE DETAIL BH.
 7 USED ON 300 & 700 SERIES ONLY.
 6 FOR CONNECTOR INSTALLATION SEE DETAIL BE

40N
40N
40N

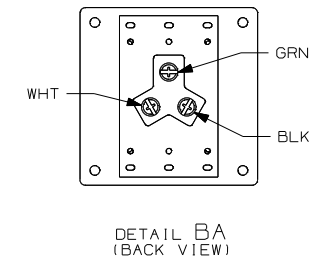
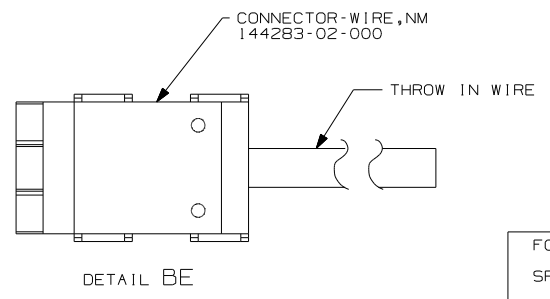
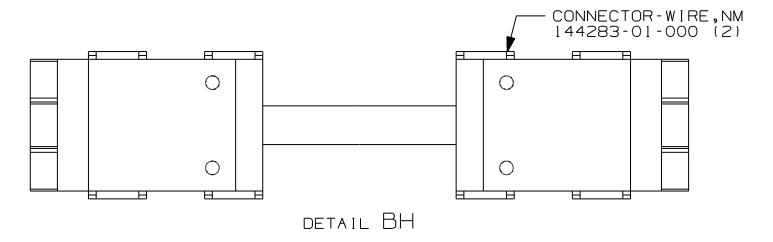
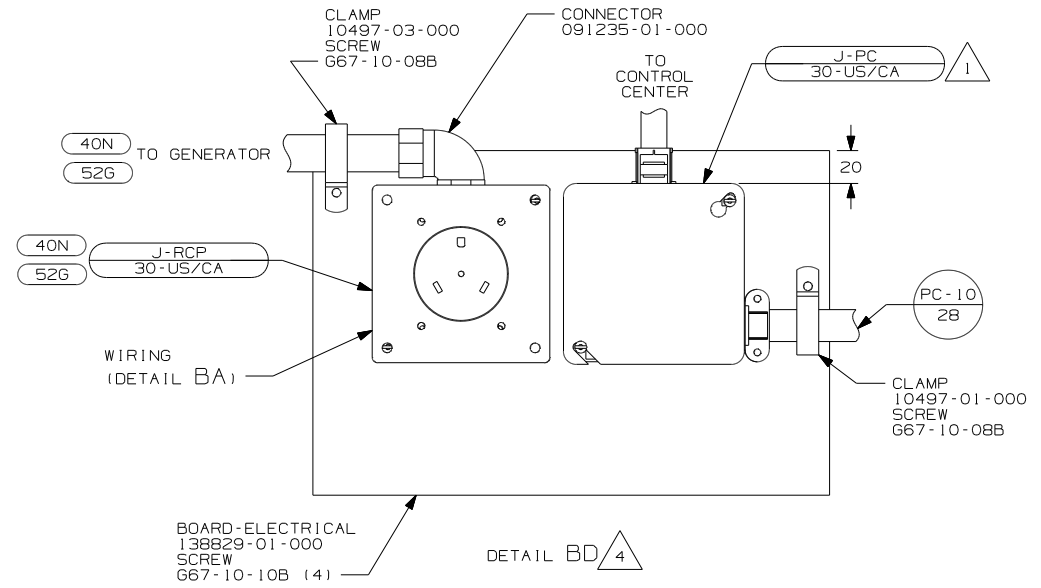
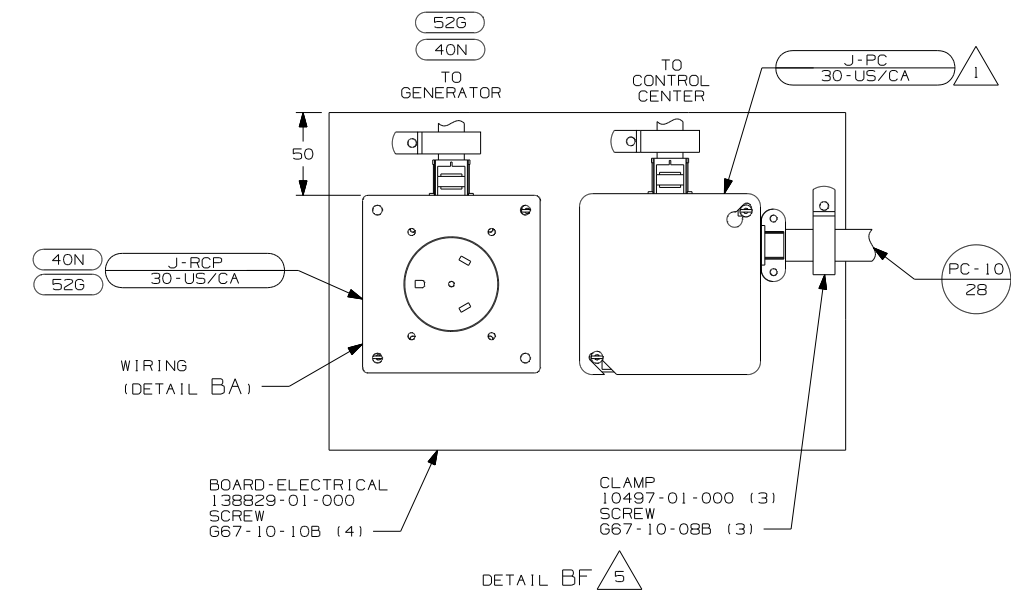
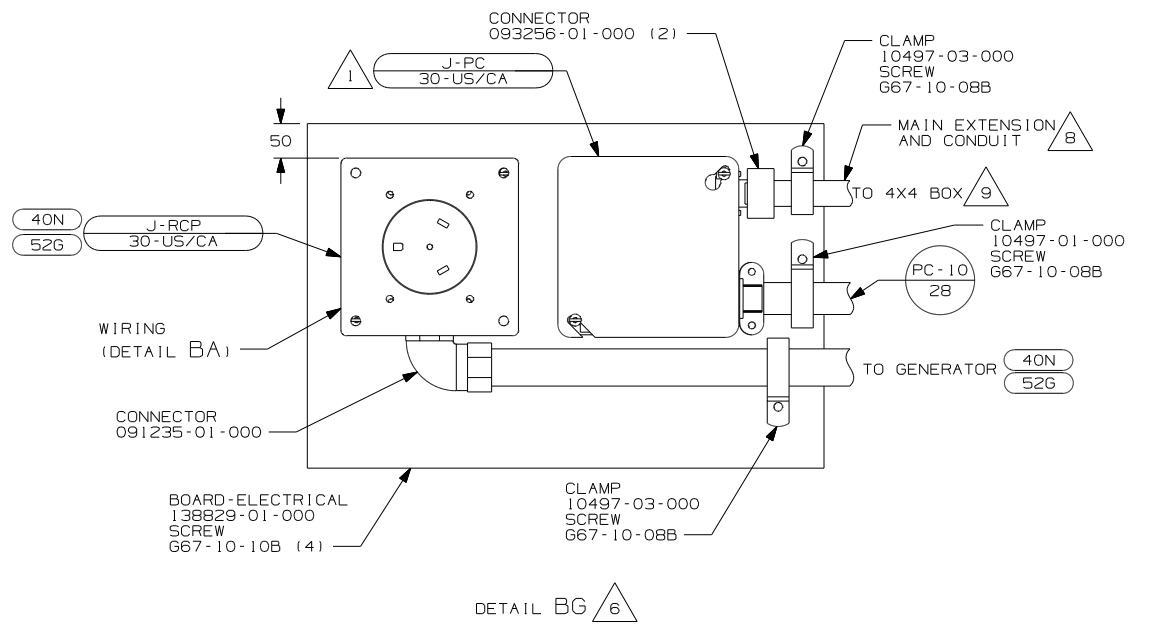
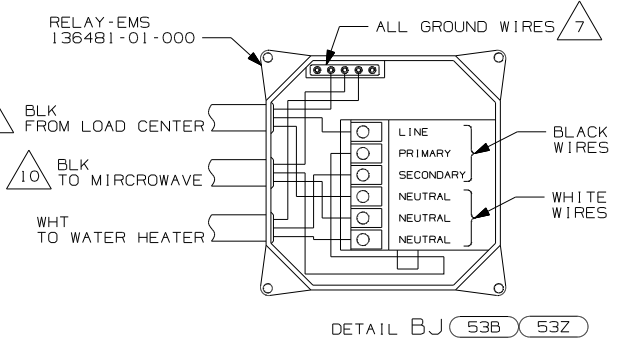
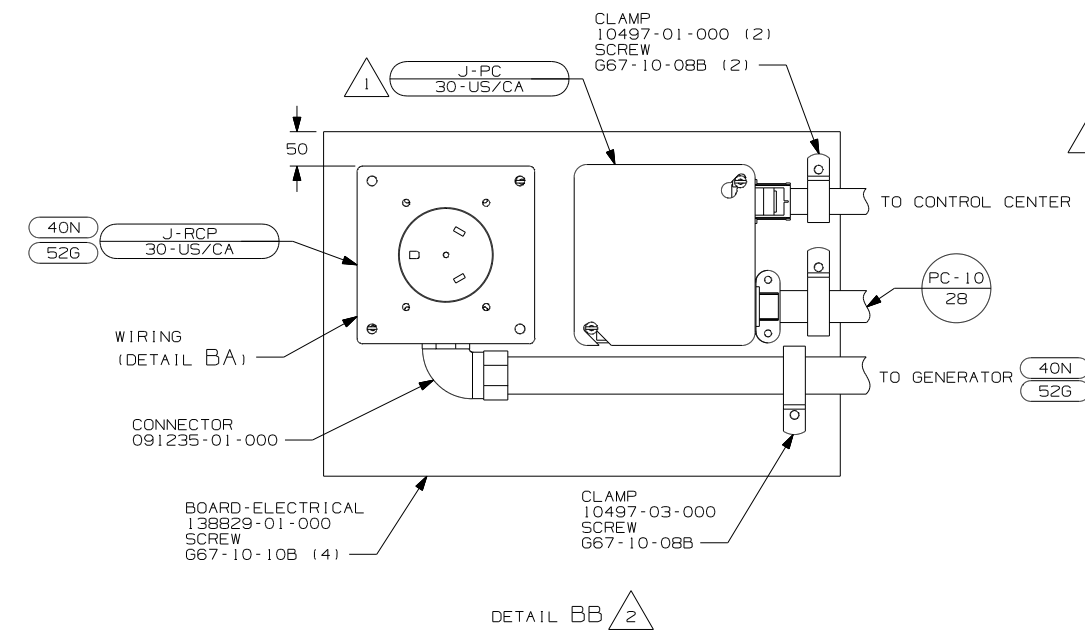


- (40B) INVERTER-DC/AC, 300 WATT
- (644) GREAT ALASKAN RENTAL PACKAGE
- (IMB) CUSTOM FLOORPLAN-OFFICE
- (53Z) WTR HTR-6GAL/110/LP/MTR/AUTO
- (53B) WTR HTR-6GAL ELECTRIC/LP GAS
- (23T) DRAINAGE SYSTEM-HEATED
- (40N) GEN-4.0KW-ONANAS-MICROQUIET
- (526) GEN-3.6KW ONAN LP MICROQUIET
- (265) CODES/STANDARDS-CSA/CMVSS
- (1B1) CODES/STANDARDS USA
- (1B1) (265)



FOR ELECTRICAL TORQUE SPECIFICATIONS SEE DWG NO. 128783-01-000
 FOR ELECTRICAL CALLOUTS SEE DWG NO. 121339-01-000

WINNEBAGO COPYRIGHT 2006 WINNEBAGO INDUSTRIES, INC.
 DFT: _____ ORIG. DATE _____
 CHK: _____ ALL DIMENSIONS ARE IN MILLIMETERS
 P.E.: _____ FIRST USED _____
 M.E.: _____
 DSNR: _____ 07 200/300/700
 UNSPECIFIED TOLERANCES ARE: MATERIAL:
 WHOLE DIM (X) : 3
 ONE-PLACE (X.X) : 1.5
 TWO-PLACE (X.XX) : 0.50
 ANGLE : 1°
 THIRD ANGLE PROJECTION
DO NOT SCALE DRAWING
 TITLE: LOAD CENTER/ATS ASM
 SHEET 1 OF 2 PART NO. 156911 REV _____
 REF: 1 5/15/2007



- NOTES:
- 7 ALL GROUND WIRES TO BE COVERED WITH TUBING 8041-02-000.
 - 6 USED WITH 231C, 229T, 331C, 331H, 228P.
 - 5 USED WITH 723D, 726A, 729H, 222B
 - 4 USED WITH 329B.
 - 3 DO NOT CONNECT TO EMS ON 331H ONLY.
 - 2 USED WITH 226A, 325F, 327L, 224V.
 - 1 CONNECT BLK TO BLK, WHT TO WHT, AND GRNDS TO GRNDS.
 - 10 THROW IN WIRE #3 ON 331H ONLY.
 - 9 SEE WIRING INSTL-BODY, 110V FOR ADDITIONAL INFORMATION.
 - 8 SEE SHT 1 FOR ADDITIONAL INFORMATION.

FOR ELECTRICAL TORQUE SPECIFICATIONS SEE DWG NO. 128783-01-000

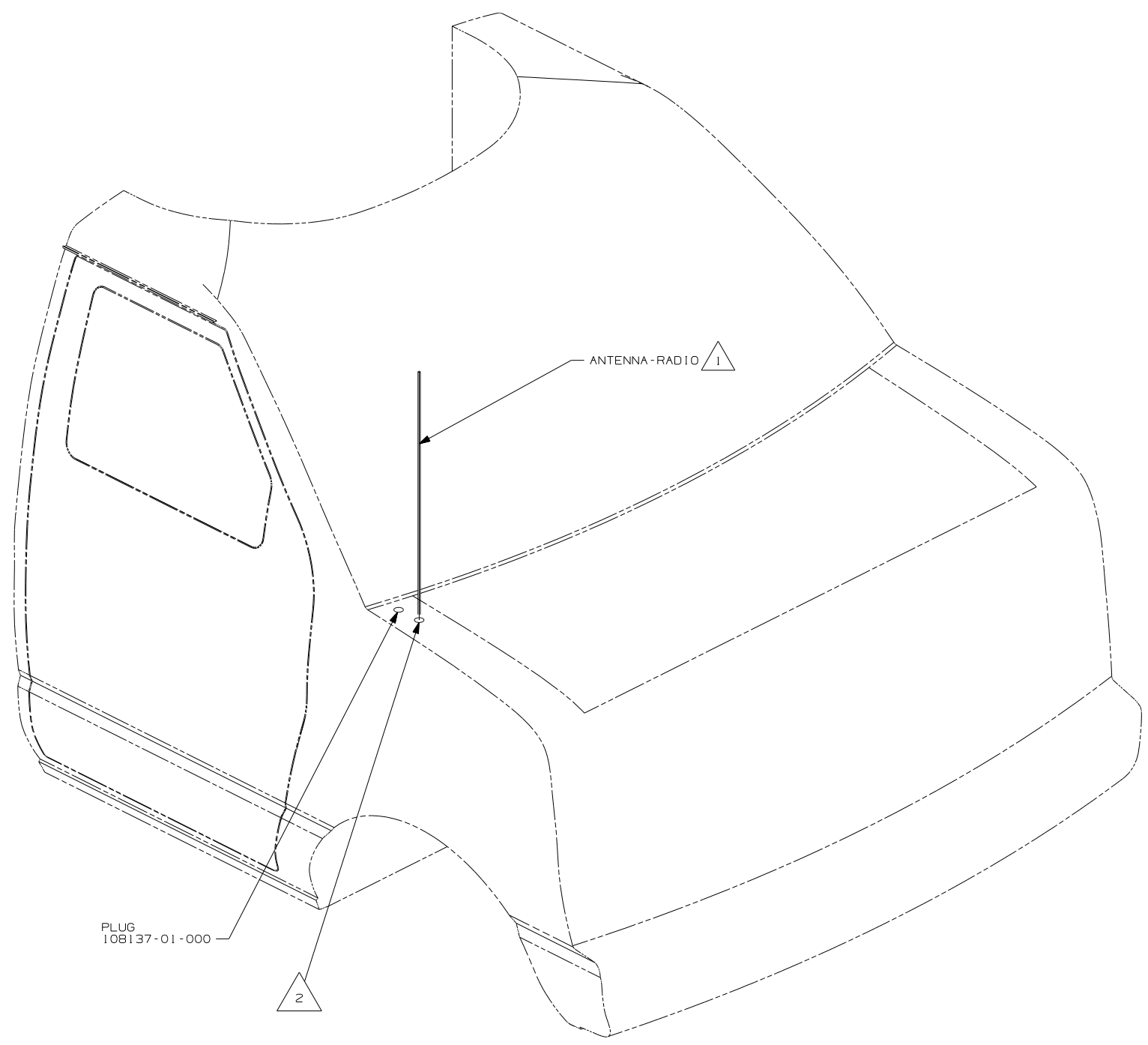
FOR ELECTRICAL CALLOUTS SEE DWG NO. 121339-01-000

- 53Z WTR HTR-6GAL/110/LP/MTR/AUTO
- 53B WTR HTR-6GAL ELECTRIC/LP GAS
- 52G GEN-3.6KW ONAN LP MICROQUIET
- 40N GEN-4.0KW-ONAN-GAS-MICROLITE
- 265 CODES/STANDARDS-CSA/CMVSS
- 1B1 CODES/STANDARDS USA

| | |
|------------|----------------------|
| FIRST USED | 07 200/300/700 |
| TITLE: | DO NOT SCALE DRAWING |
| | LOAD CENTER/ATS ASM |
| SHEET 2 | PART NO 156911 REV |

| DWG NO | SHEET | SERIES |
|-----------|-------|------------|
| 156329-01 | 1 | 200 |
| 156329-02 | 2 | 300 |
| 156329-03 | 3 | 500 |
| 156329-04 | 4 | 700 |
| 156329-05 | 5 | D, E, F, G |
| 156329-06 | 6 | P, S, R |

| | | |
|----------|-----------------|--------|
| RELEASE | REV DATE | DWG NO |
| A | | 156329 |
| REV ZONE | REVISION RECORD | DATE |
| | | |



- NOTES:
- 2 SEE CHASSIS-MODIFIED DRAWING FOR HOLE LOCATION AND SIZE.
 - 1 SUPPLIED WITH CHASSIS.

WINNEBAGO COPYRIGHT 2006 WINNEBAGO INDUSTRIES, INC.

| | |
|------|-----------------------------------|
| DFT | ORIG. DATE |
| CHKR | ALL DIMENSIONS ARE IN MILLIMETERS |
| P.E. | |
| M.E. | FIRST USED |
| DSNR | 07 MOTORHOMES |

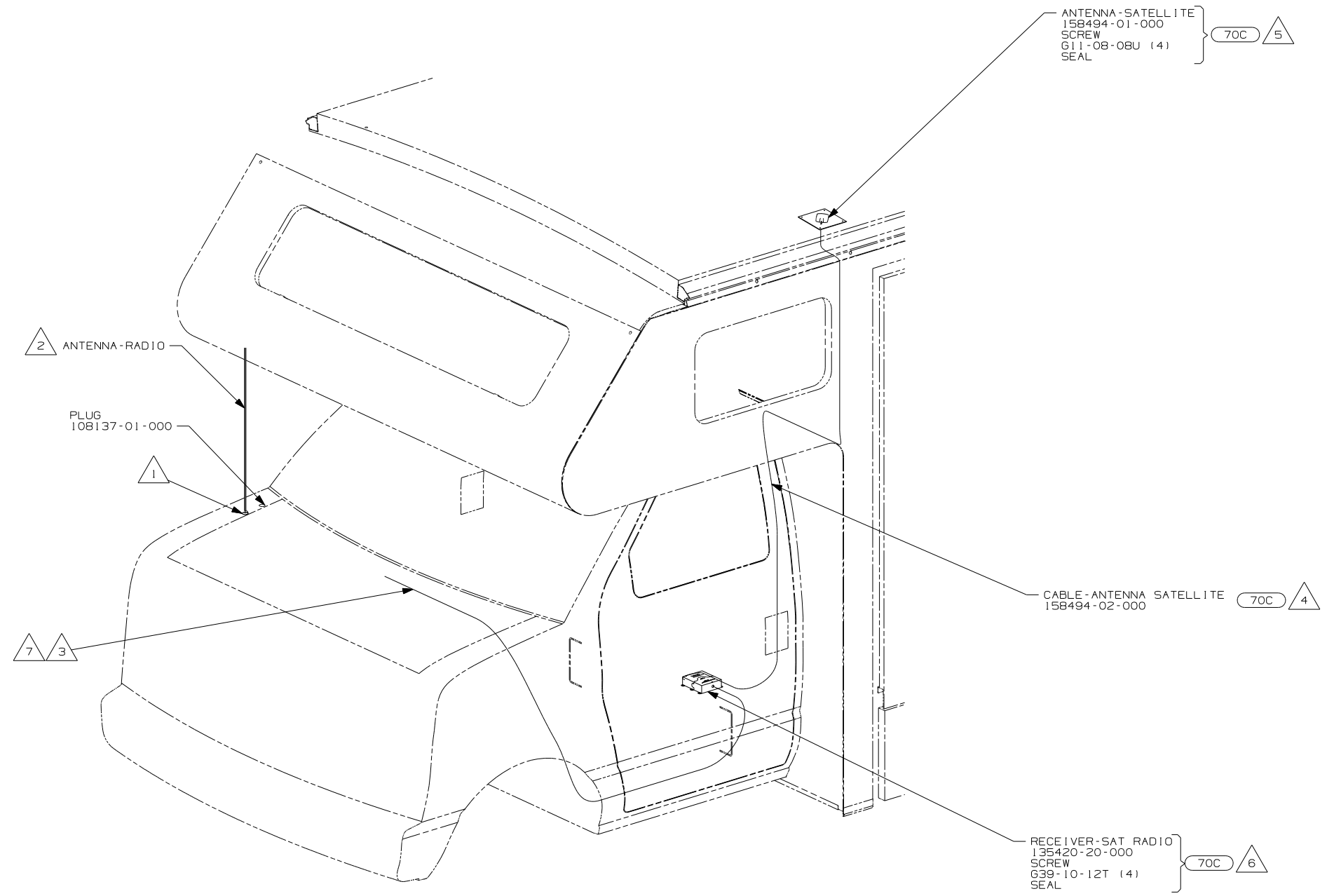
| | |
|-----------------------------|-----------|
| UNSPECIFIED TOLERANCES ARE: | MATERIAL: |
| HOLE DIM (X) : | |
| ONE-PLACE (X.X) : | |
| TWO-PLACE (X.XX) : | |
| ANGLE : | |
| THIRD ANGLE PROJECTION | |

DO NOT SCALE DRAWING

TITLE: ANTENNA INSTL-RADIO AND CB

| | | |
|--------------|----------------|-----|
| SHEET 1 of 6 | PART NO 156329 | REV |
| | | |

REF: 1 8/16/2006

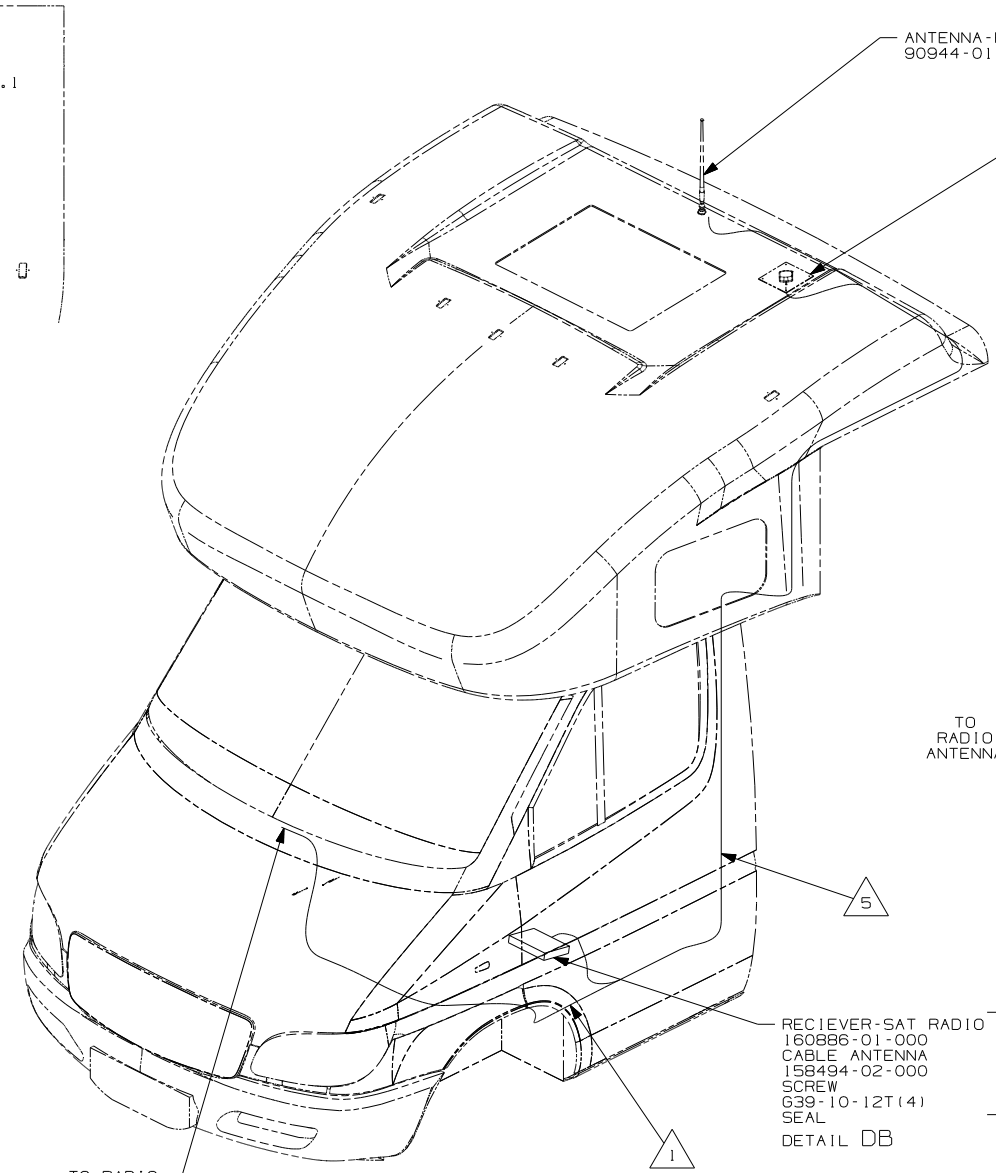
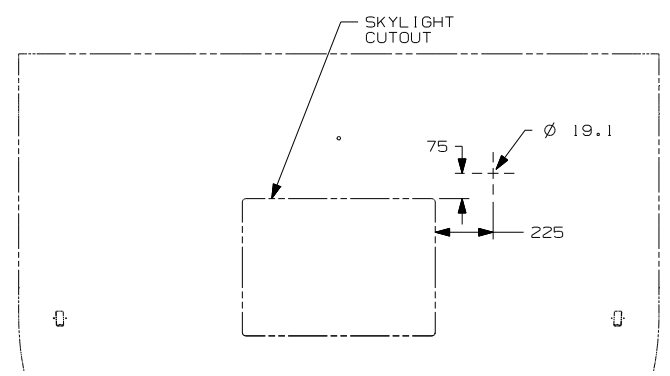


- 7 RECEIVER CABLE SUPPLIED WITH RECEIVER.
- 6 MOUNT RECEIVER TO CAB FLOOR UNDER DRIVERS SEAT NEXT TO FORD MODULE. BE SURE NOT TO SCREW THROUGH ANY WIRES THAT GO TO THE MODULE. SEAL ALL SCREWS.
- 5 MOUNT ANTENNA SUCH THAT BASE IS SQUARE WITH ROOF AND HOLE IS DIRECTLY OVER HOLE IN ROOF. SEAL BOTH THE HOLE IN THE ROOF AND ANTENNA BASE AT SCREWS.
- 4 ON 300-SER ROUTE ANTENNA CABLE FROM UNDER DRIVER'S SEAT UP B-POST, INTO WINGWALL, THROUGH SLEEP BOARD ASM TO ANTENNA HOLE IN ROOF ASM.
- 3 ROUTE RECEIVER CABLE ALONG WITH CHASSIS HARNESS TO BATTERY BOOST SWITCH, CONTINUE RECEIVER CABLE TO DASH RADIO.
- 2 SUPPLIED WITH CHASSIS.
- 1 SEE CHASSIS-MODIFIED DRAWING FOR HOLE LOCATION AND SIZE.

NOTES:

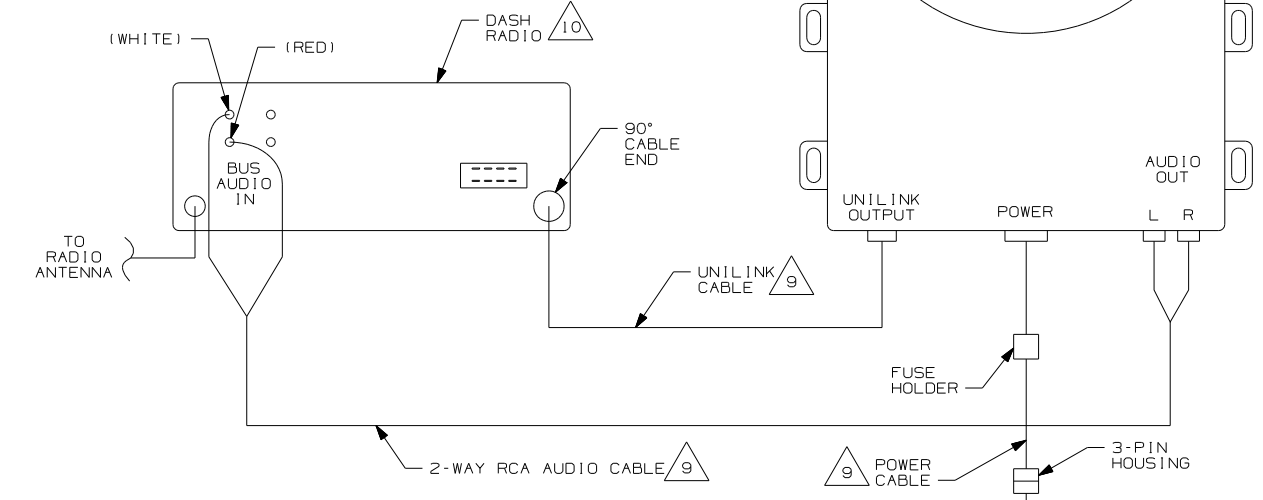
70C RADIO - SATELLITE

| | |
|----------------------------|--------------------|
| FIRST USED | |
| 07 MOTORHOMES | |
| DO NOT SCALE DRAWING | |
| TITLE: | |
| ANTENNA INSTL-RADIO AND CB | |
| SHEET 2 | PART NO 156329 REV |



ANTENNA-RADIO
90944-01-000 2 7

ANTENNA-SATELLITE RADIO 70C 3 4
158494-01-000
SCREW
G11-08-08U (4)
SEAL
DETAIL DA



RECIEVER-SAT RADIO } 70C 6 8
160886-01-000
CABLE ANTENNA
158494-02-000
SCREW
G39-10-12T(4)
SEAL
DETAIL DB

DETAIL DB
UNDER DRIVERS
SEAT

- 10 SEE RADIO INSTL FOR ADDITIONAL INFORMATION
- 9 SUPPLIED WITH SATELLITE RADIO RECIEVER
- 8 CONNECT UNILINK CABLE SUPPLIED WITH SATELLITE RECEIVER BETWEEN DASH RADIO AND SATELLITE RECEIVER TERMINAL LABELED 'OUTPUT'.
- 7 CUT AND REMOVE A 75MM X 75MM AREA OF THE ALUMINUM INSULATION, CENTERED ABOUT THE RADIO ANTENNA ROOF CAP.
- 6 MOUNT RECIEVER TO FLOOR UNDER DRIVER'S SEAT. SEAL ALL SCREWS.
- 5 ROUTE SATELLITE RADIO ANTENNA CABLE ALONG B-POST TO BENEATH DRIVERS SEAT TO SATELLITE RADIO RECIEVER. PLUG ANTENNA CABLE INTO RECEIVER TERMINAL LABELED 'ANTENNA'.
- 4 SEE WIRE INSTL-CHASSIS FOR ADDITIONAL INFORMATION.
- 3 MOUNT ANTENNA SUCH THAT BASE IS SQUARE W/REAR OF ROOF CAP & CENTER HOLE OF ANTENNA DIRECTLY OVER HOLE IN FIBERGLASS. SEAL HOLE, BASE, AND SCREWS.
- 2 SEAL AROUND ANTENNA BASE.
- 1 ROUTE RADIO ANTENNA CABLE FROM DASH RADIO THROUGH STEP WELL UP B-POST TO ROOF CAP.

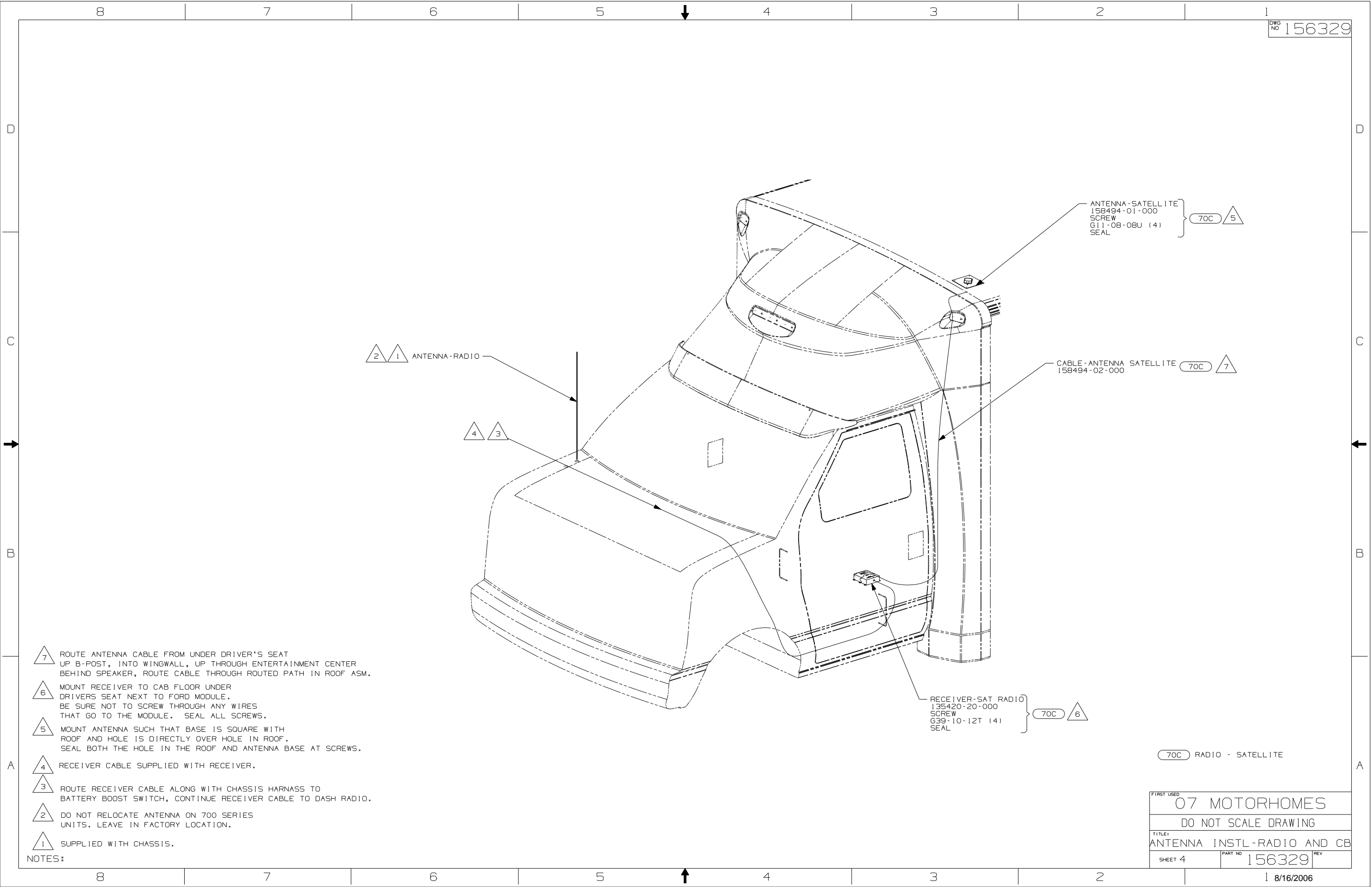
NOTES:

70C RADIO - SATELLITE

FOR ELECTRICAL
TORQUE
SPECIFICATIONS
SEE DWG NO.
128783-01-000

(X-X)
FOR ELECTRICAL
CALLOUTS
SEE DWG NO.
121339-01-000

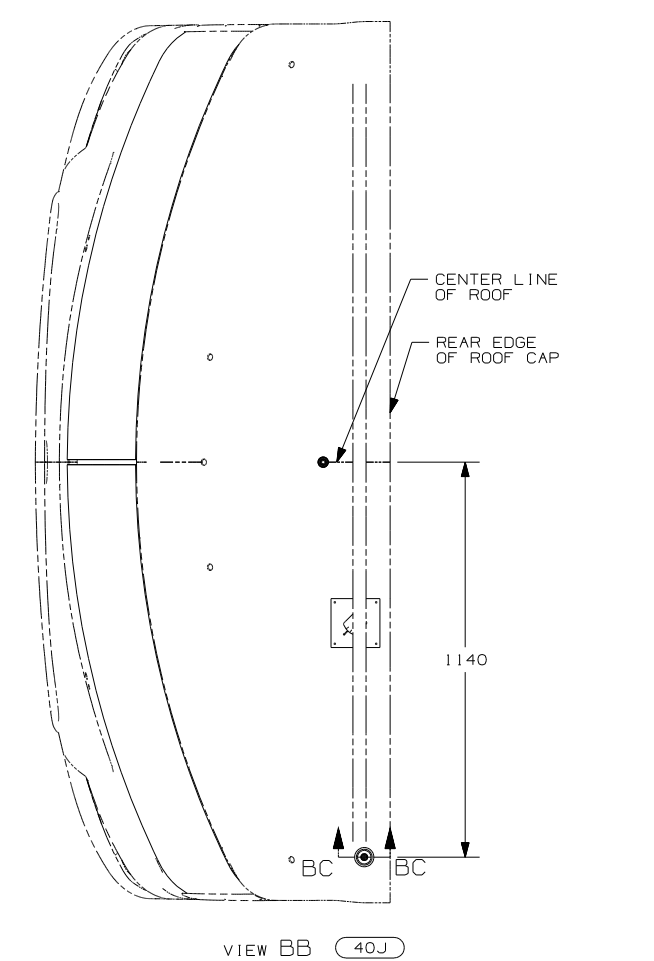
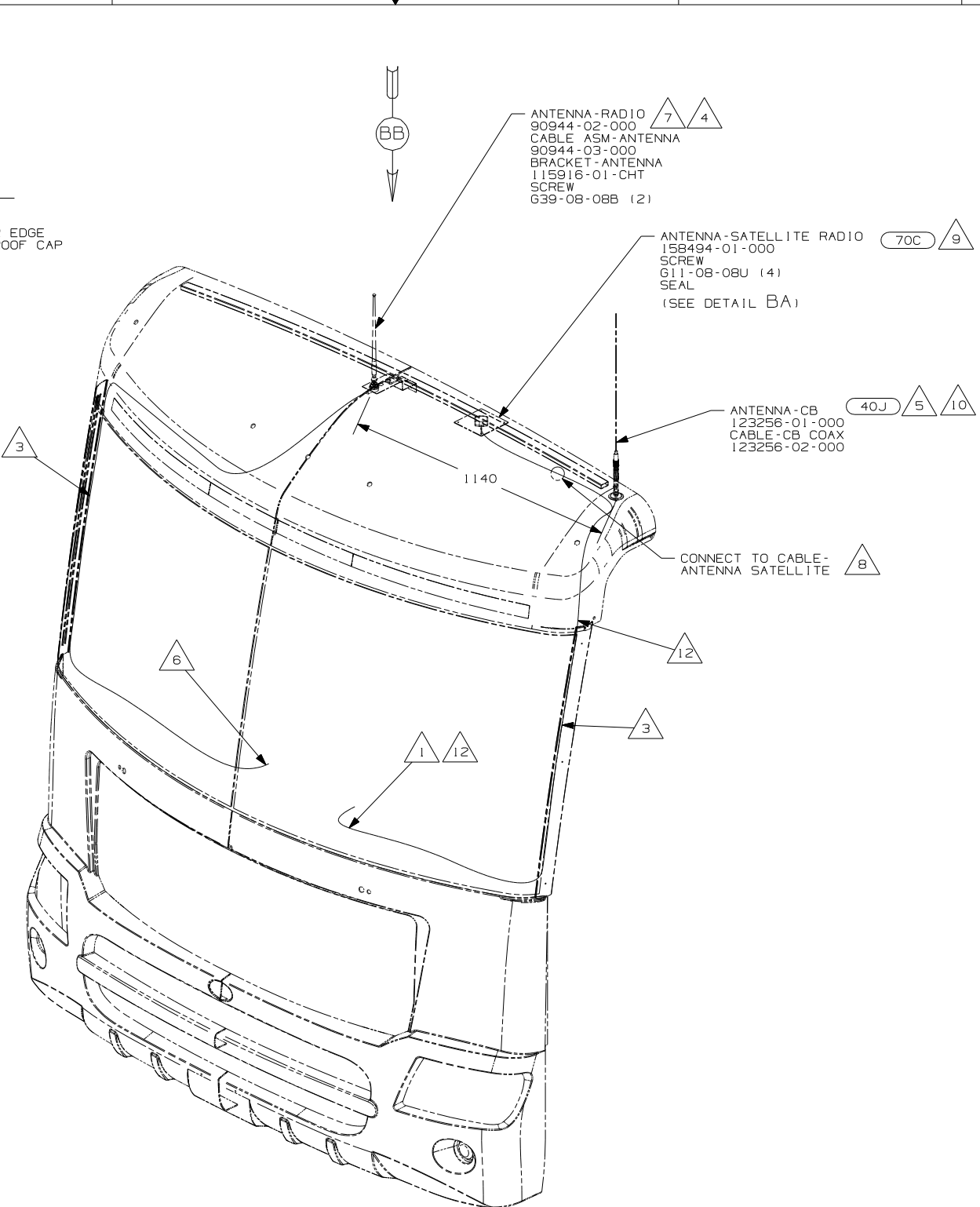
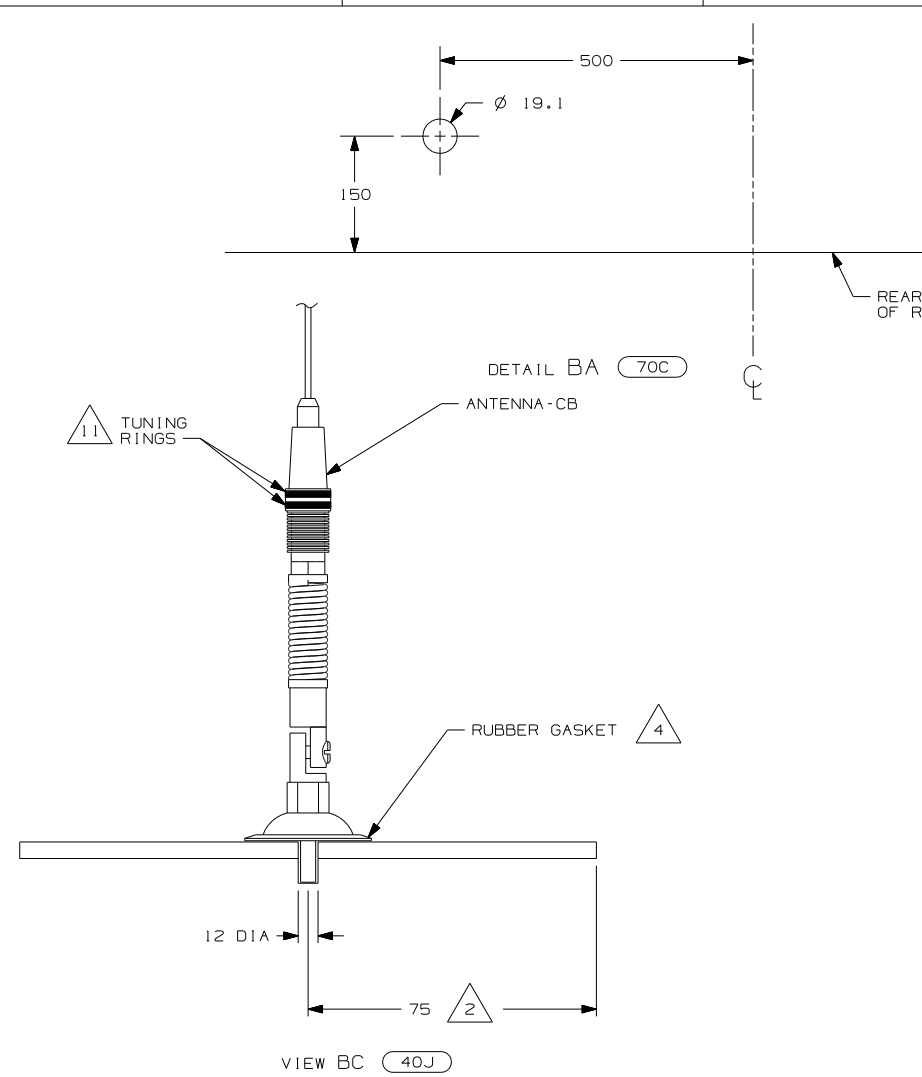
| | |
|---------------------------------------|-----------------------|
| FIRST USED | |
| 07 MOTOR HOMES | |
| DO NOT SCALE DRAWING | |
| TITLE: ANTENNA INSTLT-RADIO AND CB | |
| SHEET 3 | PART NO 156329 REV |



- 7 ROUTE ANTENNA CABLE FROM UNDER DRIVER'S SEAT UP B-POST, INTO WINGWALL, UP THROUGH ENTERTAINMENT CENTER BEHIND SPEAKER, ROUTE CABLE THROUGH ROUTED PATH IN ROOF ASM.
- 6 MOUNT RECEIVER TO CAB FLOOR UNDER DRIVERS SEAT NEXT TO FORD MODULE. BE SURE NOT TO SCREW THROUGH ANY WIRES THAT GO TO THE MODULE. SEAL ALL SCREWS.
- 5 MOUNT ANTENNA SUCH THAT BASE IS SQUARE WITH ROOF AND HOLE IS DIRECTLY OVER HOLE IN ROOF. SEAL BOTH THE HOLE IN THE ROOF AND ANTENNA BASE AT SCREWS.
- 4 RECEIVER CABLE SUPPLIED WITH RECEIVER.
- 3 ROUTE RECEIVER CABLE ALONG WITH CHASSIS HARNESS TO BATTERY BOOST SWITCH, CONTINUE RECEIVER CABLE TO DASH RADIO.
- 2 DO NOT RELOCATE ANTENNA ON 700 SERIES UNITS. LEAVE IN FACTORY LOCATION.
- 1 SUPPLIED WITH CHASSIS.

NOTES:

| | |
|----------------------------|--------------------|
| FIRST USED | |
| 07 MOTORHOMES | |
| DO NOT SCALE DRAWING | |
| TITLE | |
| ANTENNA INSTL-RADIO AND CB | |
| SHEET 4 | PART NO 156329 REV |

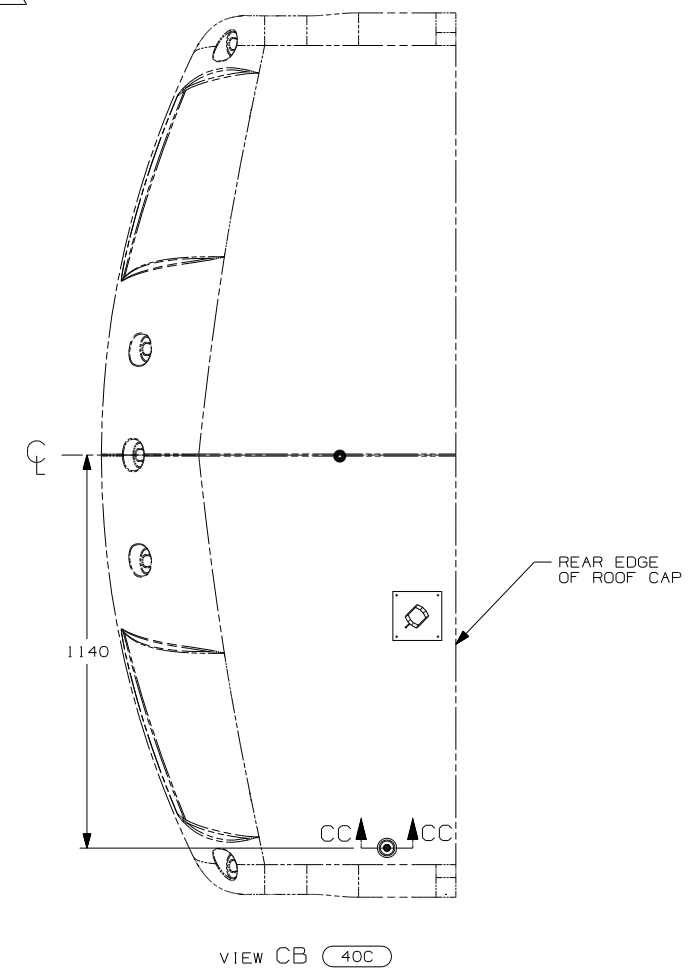
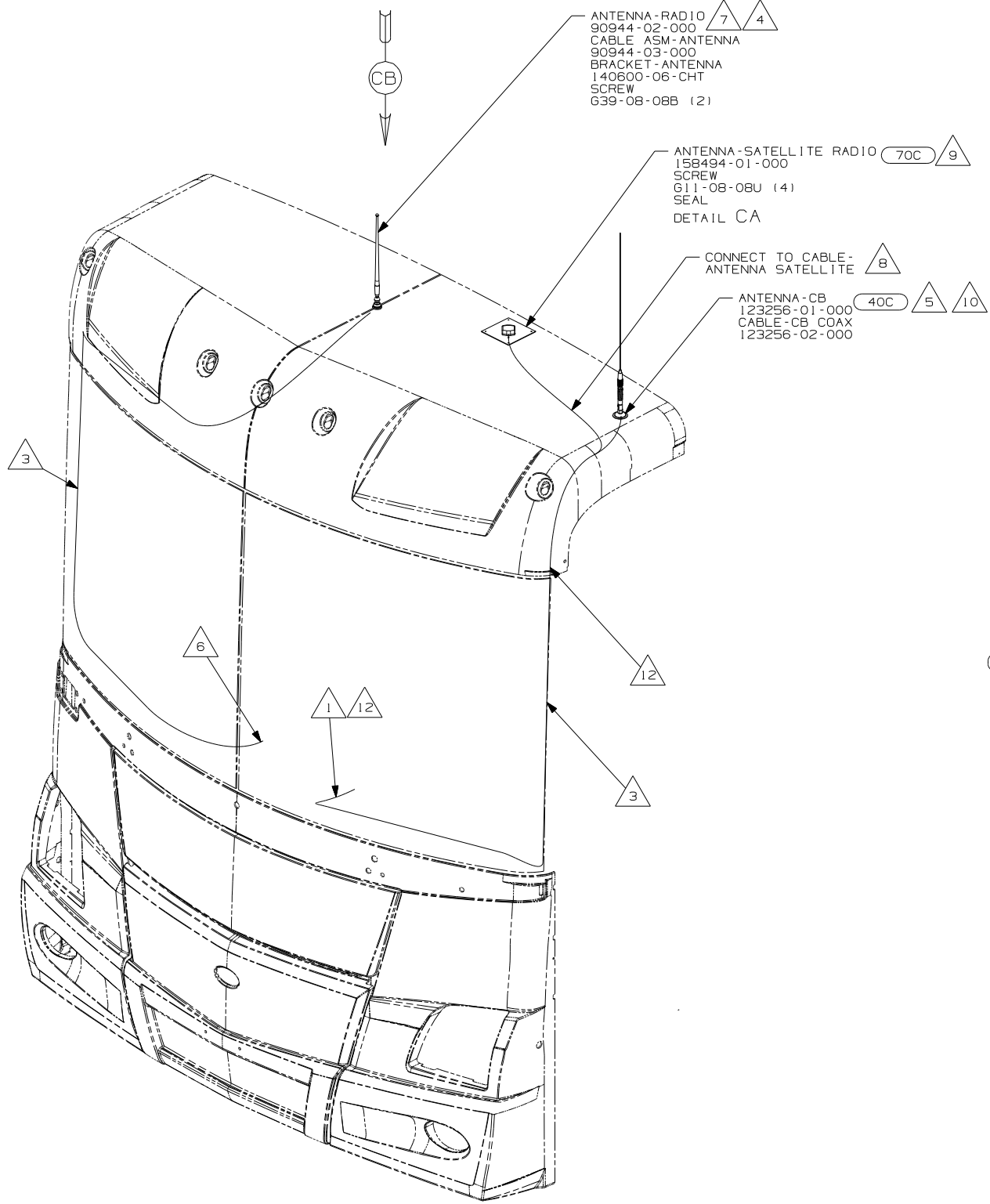
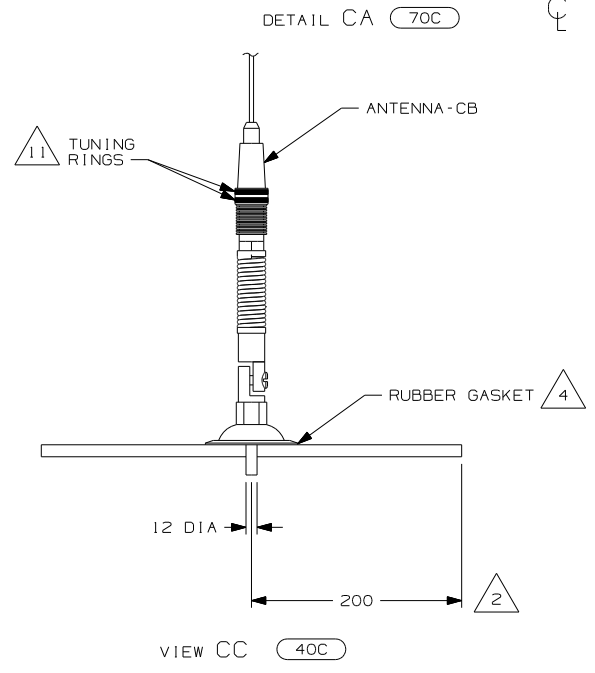
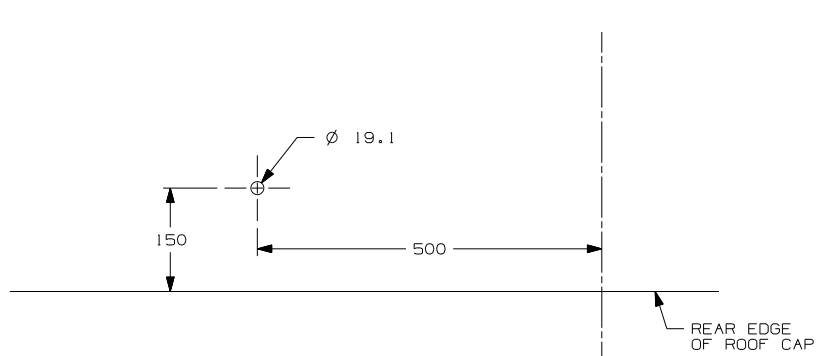


- 12 PROVIDE A 700MM DROP OF CB ANTENNA CABLE FROM THE TOP OF THE A-PILLAR TO CONNECT TO THE ANTENNA AND PLACE THE EXCESS CABLE IN THE CB PREP BAG LOCATED UNDER THE DASH.
- 11 TUNING RINGS ARE TO BE BOTH ADJUSTED TO THE TOP OF THEIR TRAVEL AND TIGHTENED AGAINST EACH OTHER.
- 10 TIGHTEN JOINTS BETWEEN ANTENNA BASE AND ANTENNA PIVOT AND ALSO THE MAST AND ANTENNA PLATE.
- 9 MOUNT ANTENNA SUCH THAT BASE IS SQUARE W/ REAR OF ROOF CAP & HOLE IS DIRECTLY OVER HOLE IN FIBERGLASS. SEAL HOLE IN ROOF CAP, BASE AT SCREWS.
- 8 SEE WIRING INSTL-FRONT END FOR ADDITIONAL INFORMATION.
- 7 USE HOLE IN BRACKET AS GUIDE TO DRILL 13 DIAMETER HOLE IN FIBERGLASS.
- 6 TO RADIO.
- 5 ATTACH ANTENNA-CB GROUND WIRE TO CAB FRAME, USE SCREW G39-08-08B.
- 4 SEAL AROUND ANTENNA BASE.
- 3 ROUTE CABLE ALONG A-POST, UNDER TRIM COVER.
- 2 MEASURED FROM REAR EDGE OF FIBERGLASS CAP.
- 1 SEE WIRING INSTL-FRONT END FOR LOCATION OF COAX END AND LABEL.

70C RADIO - SATELLITE
 40J CB RADIO PREP

| | |
|----------------------------|--------------------|
| FIRST USED | |
| 07 MOTORHOMES | |
| DO NOT SCALE DRAWING | |
| TITLE: | |
| ANTENNA INSTL-RADIO AND CB | |
| SHEET 5 | PART NO 156329 REV |

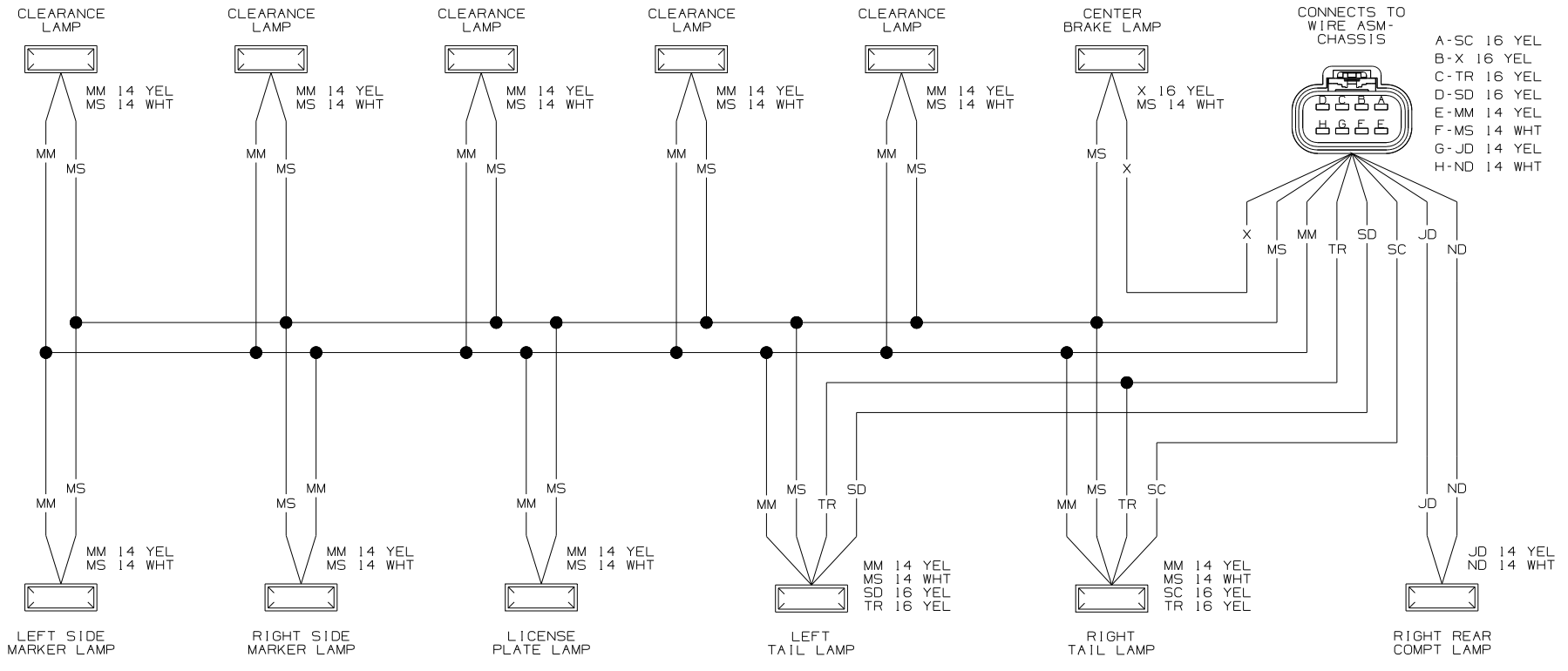
NOTES:



- 12 PROVIDE A 1000 DROP OF CB ANTENNA CABLE FROM THE TOP OF THE A-PILLAR TO CONNECT TO THE ANTENNA AND PLACE THE EXCESS CABLE IN THE CB PREP BAG LOCATED UNDER THE DASH.
- 11 TUNING RINGS ARE TO BE BOTH ADJUSTED TO THE TOP OF THEIR TRAVEL AND TIGHTENED AGAINST EACH OTHER.
- 10 TIGHTEN JOINTS BETWEEN ANTENNA BASE AND ANTENNA PIVOT AND ALSO THE MAST AND ANTENNA PLATE.
- 9 MOUNT ANTENNA SUCH THAT BASE IS SQUARE W/REAR OF ROOF CAP & CENTER HOLE OF ANTENNA DIRECTLY OVER HOLE IN FIBERGLASS. SEAL HOLE, BASE, AND SCREWS.
- 8 SEE WIRING INSTL-FRONT END FOR ADDITIONAL INFORMATION.
- 7 USE HOLE IN BRACKET AS GUIDE TO DRILL 13 DIAMETER HOLE IN FIBERGLASS.
- 6 TO RADIO.
- 5 ATTACH ANTENNA-CB GROUND WIRE TO CAB FRAME, USE SCREW 639-08-08B.
- 4 SEAL AROUND ANTENNA BASE.
- 3 ROUTE CABLE ALONG A-POST, UNDER TRIM COVER.
- 2 MEASURED FROM REAR EDGE OF FIBERGLASS CAP.
- 1 SEE WIRING INSTL-FRONT END FOR LOCATION OF COAX END AND LABEL.

70C RADIO - SATELLITE
40C RADIO - CB

| | |
|--------------------------------------|--------------------|
| FIRST USED | |
| 07 MOTORHOMES | |
| DO NOT SCALE DRAWING | |
| TITLE: ANTENNA INSTL-RADIO AND CB | |
| SHEET 6 | PART NO 156329 REV |

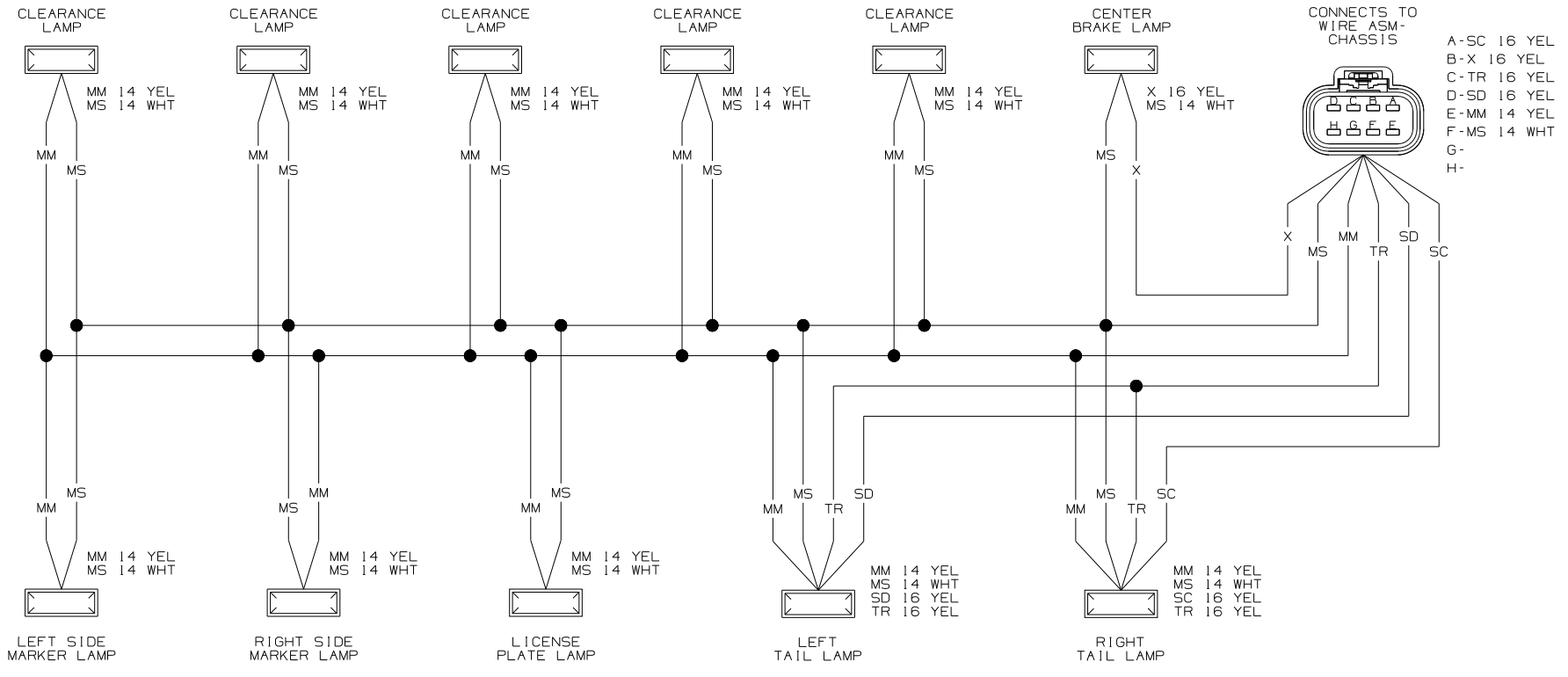


WIRING DIAGRAM-BACKWALL
(WIRE ASM 156187-01 REV-P)

- 5 SEE WIRING DIAGRAM-AUTO FOR ADDITIONAL INFORMATION.
- 4 SEE MANUFACTURERS DIAGRAM FOR ADDITIONAL INFORMATION.
- 3 GROUNDS ARE SHOWN AS A SINGLE LINE FOR EASE IN TRACING. EACH GROUND CIRCUIT IS SEPERATE IN THE HARNESS.
- 2 NOT A SPLICE POINT. INDICATES ENTRY INTO WIRING HARNESS.
1. SPLICES ARE THEORETICAL AND MAY DIFFER IN THE HARNESS.

NOTES:

| | | | |
|-------------------------------------|------------|---|-----|
| WINNEBAGO | | COPYRIGHT 2006 WINNEBAGO INDUSTRIES, INC. | |
| DFTR | ORIG. DATE | ALL DIMENSIONS ARE IN MILLIMETERS | |
| CHKR | | FIRST USED | |
| P.E. | | 07 200-SERIES | |
| M.E. | | UNSPECIFIED TOLERANCES ARE: | |
| DSNR | | MATERIAL: | |
| | | WHOLE DIM (X) : | |
| | | ONE-PLACE (X.X) : | |
| | | TWO-PLACE (X.XX) : | |
| | | ANGLE : | |
| THIRD ANGLE PROJECTION | | DO NOT SCALE DRAWING | |
| TITLE: WIRING DIAGRAM-AUTO LAMPS | | | |
| SHEET 1 of 4 | PART NO | 156358 | REV |
| REF: | | 1 11/22/2006 | |

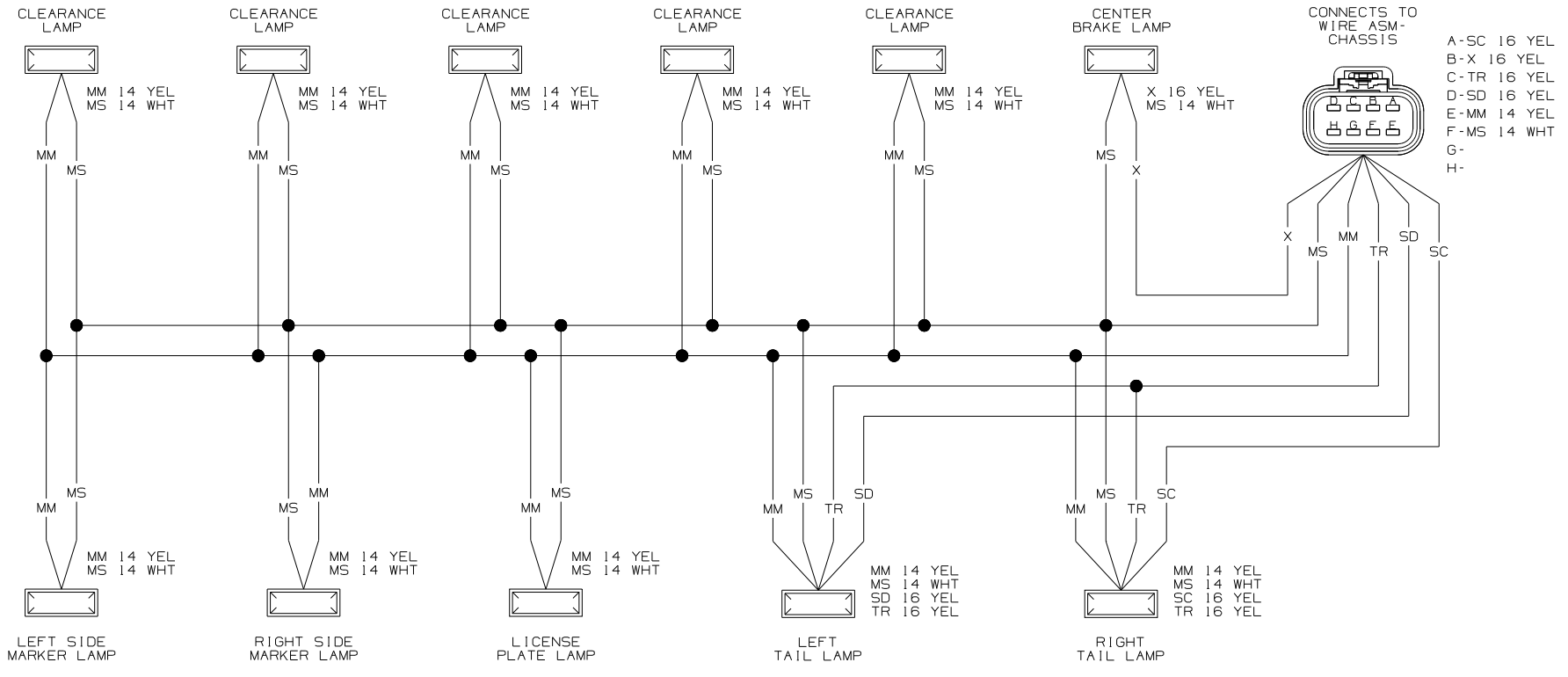


WIRING DIAGRAM-BACKWALL
(WIRE ASM 156187-02 REV-P)

- 5 SEE WIRING DIAGRAM-AUTO FOR ADDITIONAL INFORMATION.
 - 4 SEE MANUFACTURERS DIAGRAM FOR ADDITIONAL INFORMATION.
 - 3 GROUNDS ARE SHOWN AS A SINGLE LINE FOR EASE IN TRACING. EACH GROUND CIRCUIT IS SEPERATE IN THE HARNESS.
 - 2 NOT A SPLICE POINT. INDICATES ENTRY INTO WIRING HARNESS.
1. SPLICES ARE THEORETICAL AND MAY DIFFER IN THE HARNESS.

NOTES:

| | |
|---------------------------|--------------------|
| FIRST USED | |
| 07 200-SERIES | |
| DO NOT SCALE DRAWING | |
| TITLE: | |
| WIRING DIAGRAM-AUTO LAMPS | |
| SHEET 2 | PART NO 156358 REV |

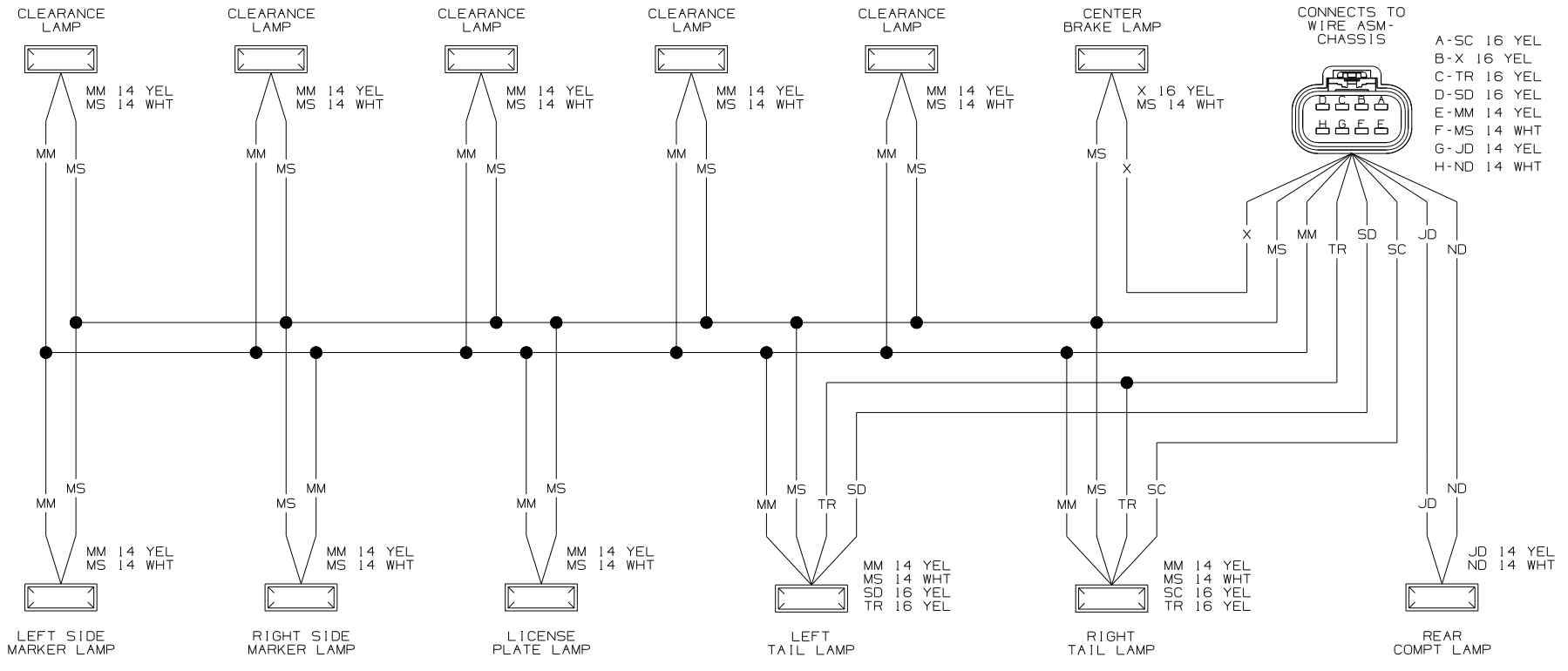


WIRING DIAGRAM-BACKWALL
(WIRE ASM 156187-03 REV-P)

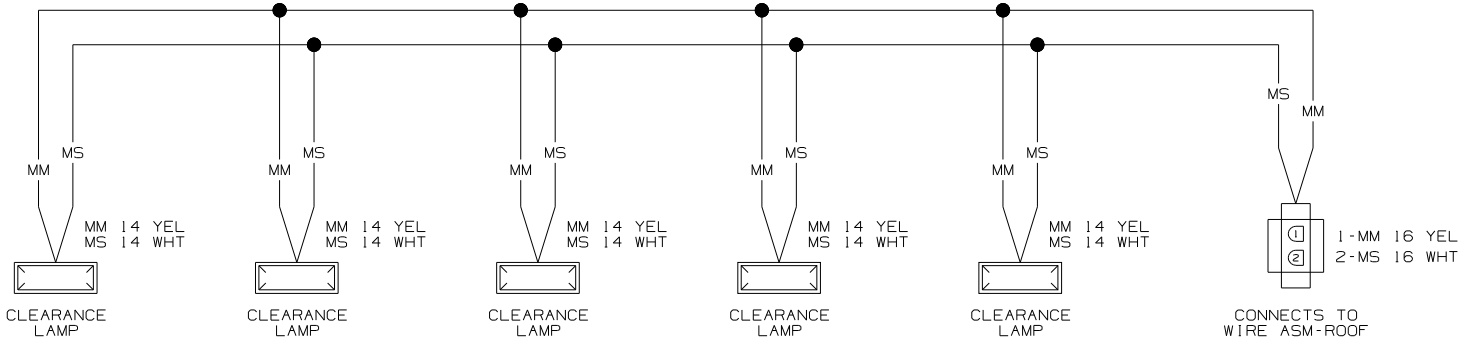
- 5 SEE WIRING DIAGRAM-AUTO FOR ADDITIONAL INFORMATION.
 - 4 SEE MANUFACTURERS DIAGRAM FOR ADDITIONAL INFORMATION.
 - 3 GROUNDS ARE SHOWN AS A SINGLE LINE FOR EASE IN TRACING. EACH GROUND CIRCUIT IS SEPERATE IN THE HARNESS.
 - 2 NOT A SPLICE POINT. INDICATES ENTRY INTO WIRING HARNESS.
1. SPLICES ARE THEORETICAL AND MAY DIFFER IN THE HARNESS.

NOTES:

| | | | |
|-------------------------------------|---------|---------------|-----|
| FIRST USED | | 07 200-SERIES | |
| DO NOT SCALE DRAWING | | | |
| TITLE: WIRING DIAGRAM-AUTO LAMPS | | | |
| SHEET 3 | PART NO | 156358 | REV |



WIRING DIAGRAM-BACKWALL
(WIRE ASM 160723 REV-G)



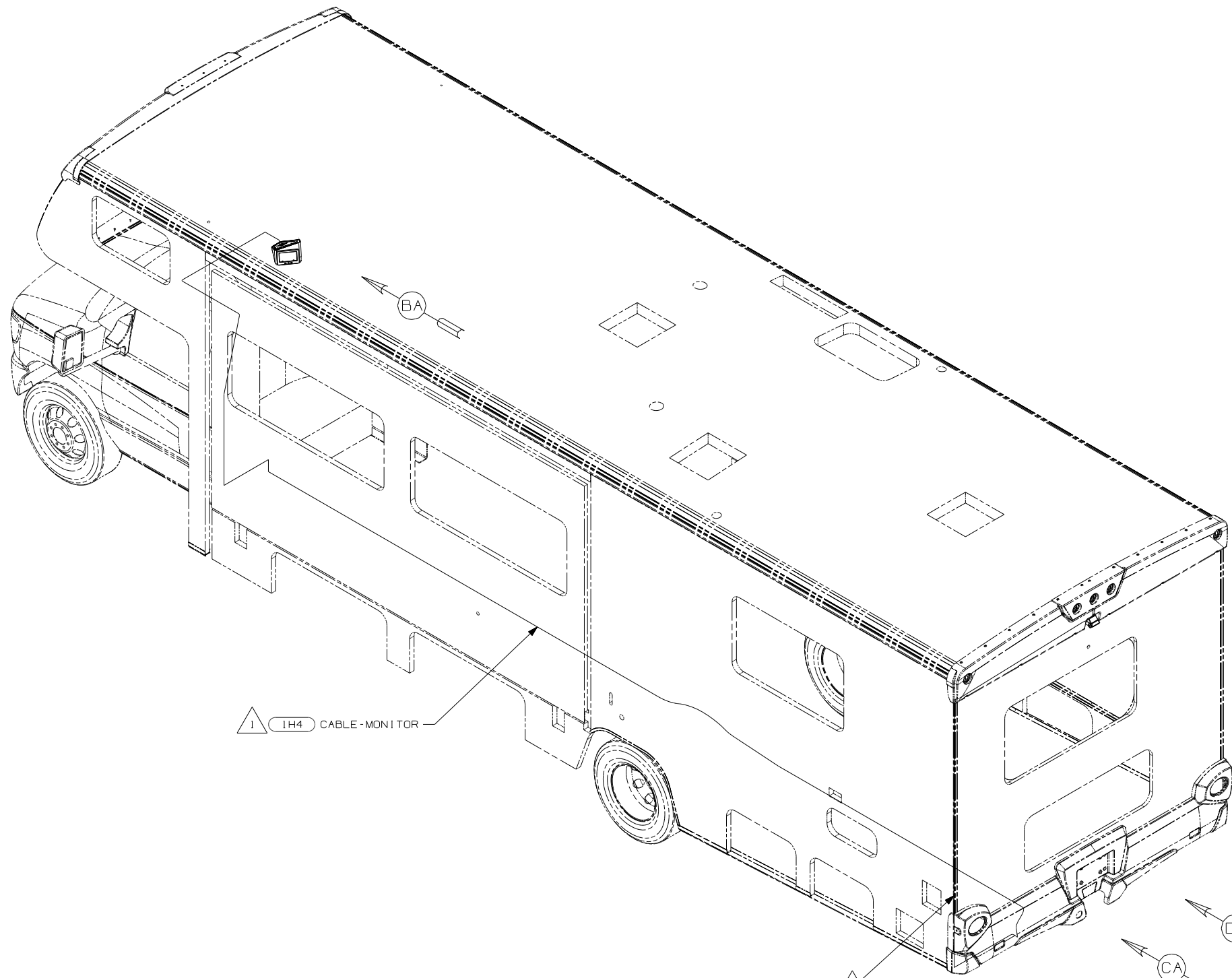
WIRING DIAGRAM-CLEARANCE LAMPS
(WIRE ASM 156184 REV-D)

- NOTES:
- 5 SEE WIRING DIAGRAM-AUTO FOR ADDITIONAL INFORMATION.
 - 4 SEE MANUFACTURERS DIAGRAM FOR ADDITIONAL INFORMATION.
 - 3 GROUNDS ARE SHOWN AS A SINGLE LINE FOR EASE IN TRACING. EACH GROUND CIRCUIT IS SEPERATE IN THE HARNESS.
 - 2 NOT A SPLICE POINT. INDICATES ENTRY INTO WIRING HARNESS.
 - 1. SPLICES ARE THEORETICAL AND MAY DIFFER IN THE HARNESS.

| | |
|---------------------------|--------------------|
| FIRST USED | |
| 07 200-SERIES | |
| DO NOT SCALE DRAWING | |
| TITLE: | |
| WIRING DIAGRAM-AUTO LAMPS | |
| SHEET 4 | PART NO 156358 REV |

8 7 6 5 4 3 2

| | | |
|----------|-----------------|---------------|
| RELEASE | REV DATE | DWG NO |
| A | | 156332 |
| REV ZONE | REVISION RECORD | DATE DFR-0R16 |



△ 2 WIRE ROUTED IN RECESSED AREA BETWEEN SIDEWALL AND BACKWALL.
 △ 1 REAR MONITOR CAMERA CABLE IS PART OF WIRE ASM-CHASSIS AND RUNS ALONG LEFT FRAME RAIL.

NOTES:

- 1H4 REARVIEW MONITOR-WIRE PREP
 - 265 CODES/STANDARDS-CSA/CMVSS
 - 1B1 CODES/STANDARDS USA
- 1B1 ○ 265

WINNEBAGO COPYRIGHT 2006 WINNEBAGO INDUSTRIES, INC.

| | |
|------|-----------------------------------|
| DFTR | ORIG. DATE |
| CHKR | ALL DIMENSIONS ARE IN MILLIMETERS |
| P.E. | |
| M.E. | FIRST USED |
| DSNR | 07 C-BODIES |

UNSPECIFIED TOLERANCES ARE:

| | |
|------------------|--------|
| WHOLE DIM (X) | : 3 |
| ONE-PLACE (X.X) | : 1.5 |
| TWO-PLACE (X.XX) | : 0.50 |
| ANGLE | : 1° |

THIRD ANGLE PROJECTION

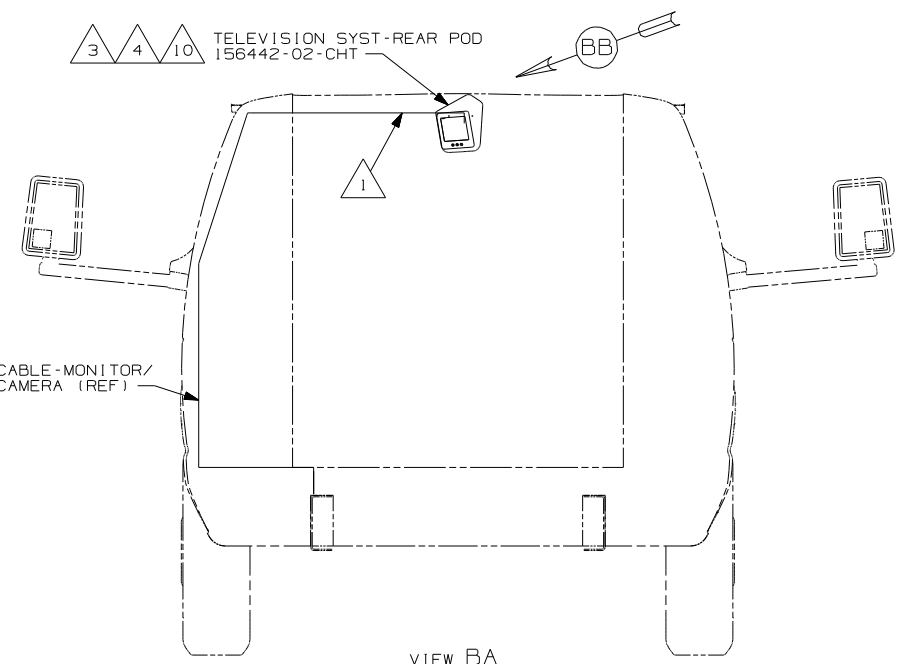
FOR ELECTRICAL TORQUE SPECIFICATIONS SEE DWG NO. 128783-01-000

FOR ELECTRICAL CALLOUTS SEE DWG NO. 121339-01-000

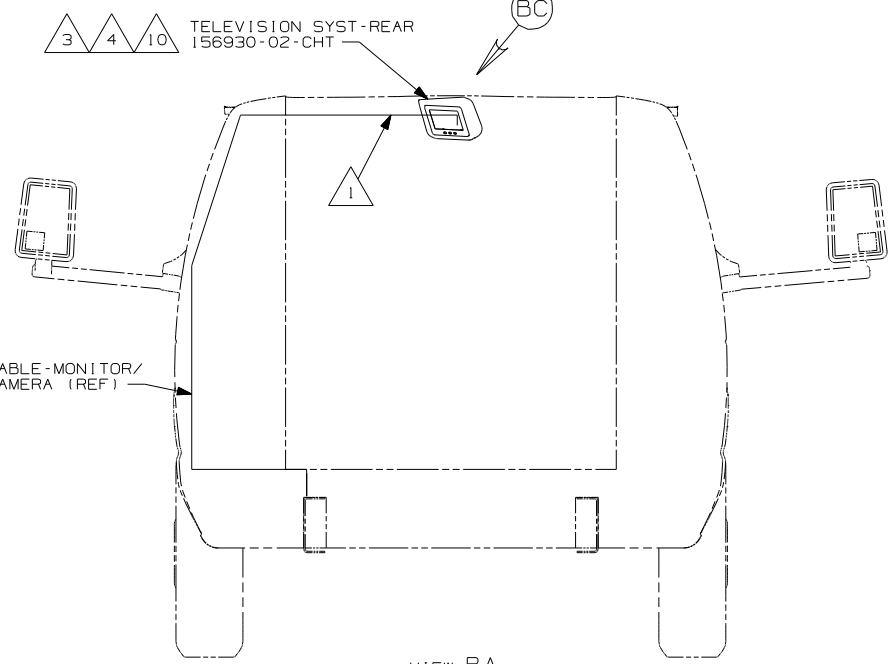
DO NOT SCALE DRAWING

| | |
|--------------|--------------------|
| TITLE: | MONITOR INSTL |
| SHEET 1 of 4 | PART NO 156332 REV |

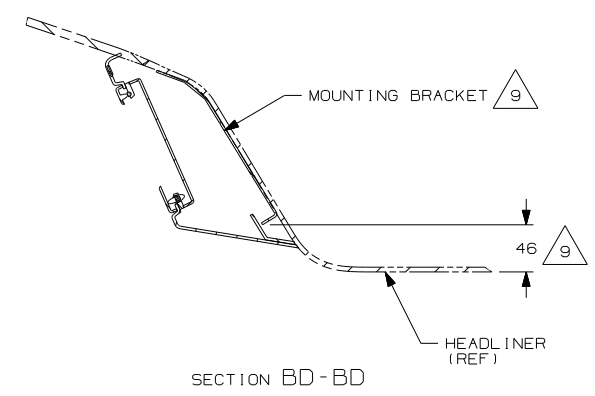
8 7 6 5 4 3 2



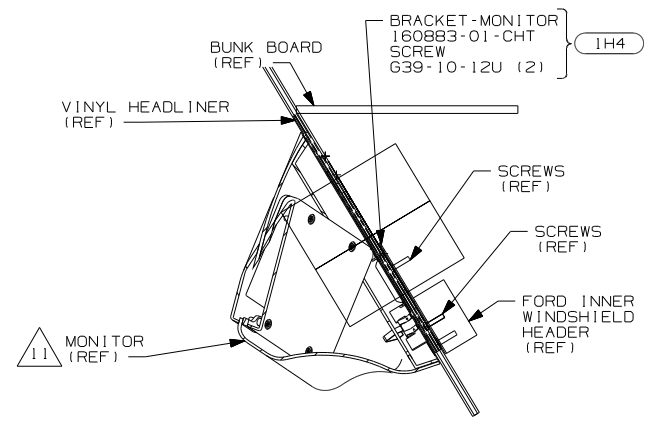
VIEW BA
(200, 300, & 700 SERIES)
74B 16B 16C 16E



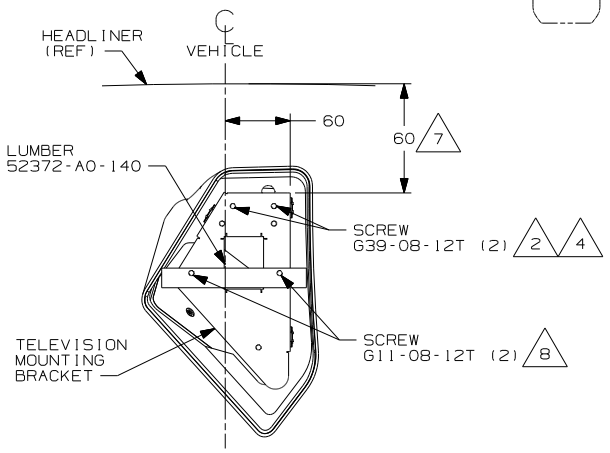
VIEW BA
(200, 300, & 700 SERIES)
74B 1PY



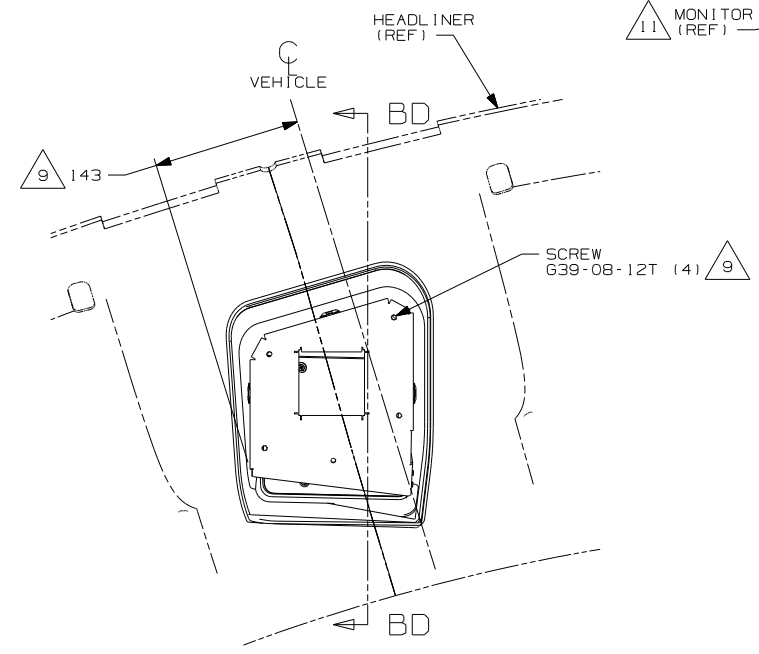
SECTION BD-BD



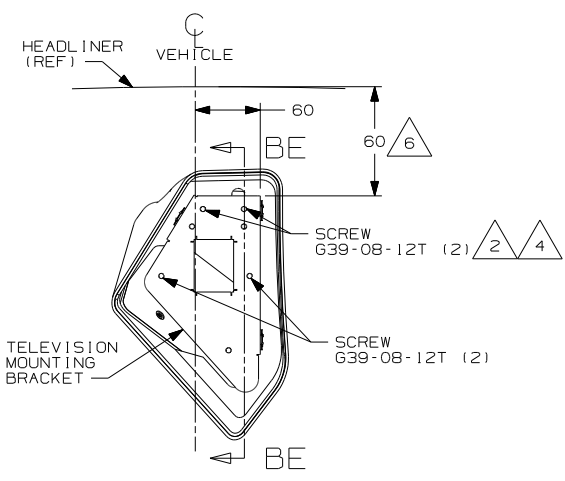
SECTION BE-BE



VIEW BB
(700 SERIES)
74B 16B 16C 16E



VIEW BC
(200, 300, & 700 SERIES)
74B 1PY



VIEW BB
(200 & 300 SERIES)
74B 16B 16C 16E

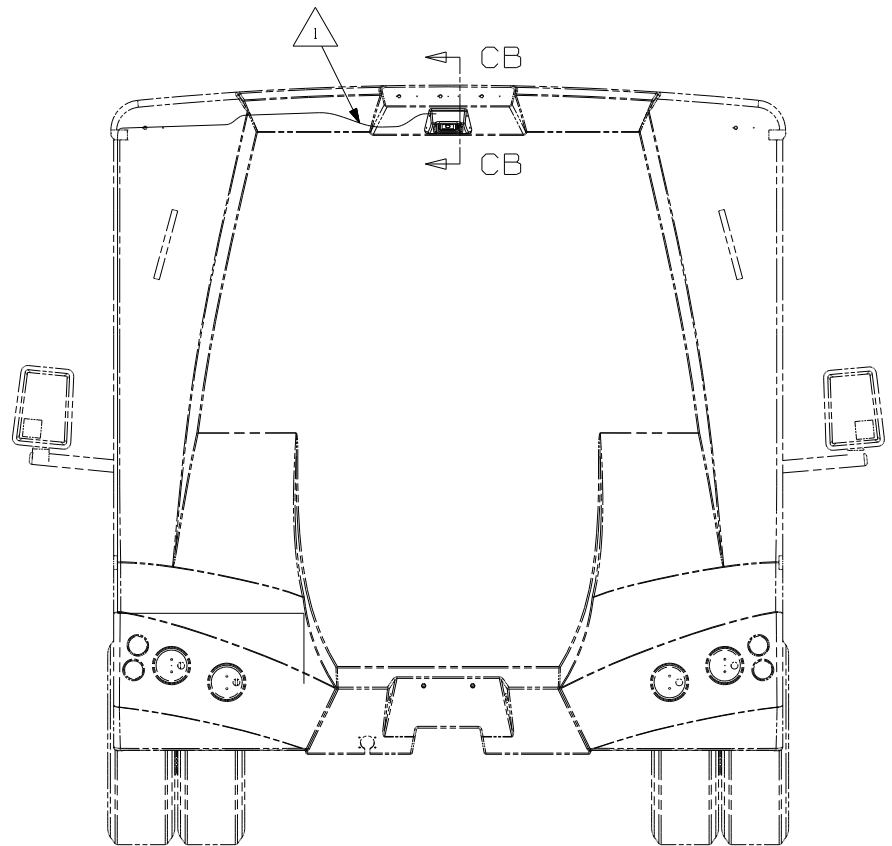
- NOTES:
- 11 MOUNT MONITOR AS CLOSE TO BOTTOM OF BUNK BOARD AS POSSIBLE.
 - 10 SNAP MONITOR ONTO MOUNTING BRACKET.
 - 9 ASSEMBLE MOUNTING BRACKET TO HEADLINER PRIOR TO HEADLINER INSTL. PLACE MOUNTING PLATE ON BACK SIDE OF HEADLINER AND PLACE MOUNTING BRACKET ON FRONT SIDE OF HEADLINER. SCREW THROUGH HEADLINER INTO MOUNTING PLATE.
 - 8 ASSEMBLE MOUNTING BRACKET TO HEADLINER PRIOR TO HEADLINER INSTALLATION. PLACE LUMBER ON BACK SIDE OF HEADLINER AND PLACE MOUNTING BRACKET ON FRONT SIDE OF HEADLINER. SCREW THROUGH HEADLINER INTO LUMBER.
 - 7 INSTALL MOUNTING BRACKET 55MM FROM EDGE OF HEADLINER ON 700-SER.
 - 6 INSTALL MOUNTING BRACKET 20MM FROM EDGE OF HEADLINER ON 300-SER.
 - 5 REAR MONITOR CABLE IS PART OF THE WIRE ASM-CHASSIS AND IS TO END BETWEEN SUNVISORS.
 - 4 MONITOR BRACKET MOUNTING SCREWS TO BE SCREWED INTO FORD INNER WINDSHIELD HEADER AS FAR TO THE PASSENGER SIDE AS ALLOWED BY THE HOLE IN THE HEADER TRIM PANEL.
 - 3 PLUG 3-PIN POWER HARNESS AND REAR MONITOR CABLE INTO REAR MONITOR ASSEMBLY.
 - 2 SCREW INTO PLACE AFTER HEADLINER INSTALLATION.
 - 1 END CABLE IN THIS AREA WITH 1A5

- 1H4 REARVIEW MONITOR-WIRE PREP
- 74B REARVIEW MONITOR SYSTEM
- 16E FORD CHASSIS 14,050 LB.GVWR
- 16C FORD CHASSIS 11,500 LB.GVWR
- 16B FORD CHASSIS 10,700 LB.GVWR
- 1PY CHEVY CHASSIS 14,050 LB GVWR
- 1A5 REARVIEW MONITOR SYSTEM W/O
- 265 CODES/STANDARDS-CSA/CMVSS
- 1B1 CODES/STANDARDS USA

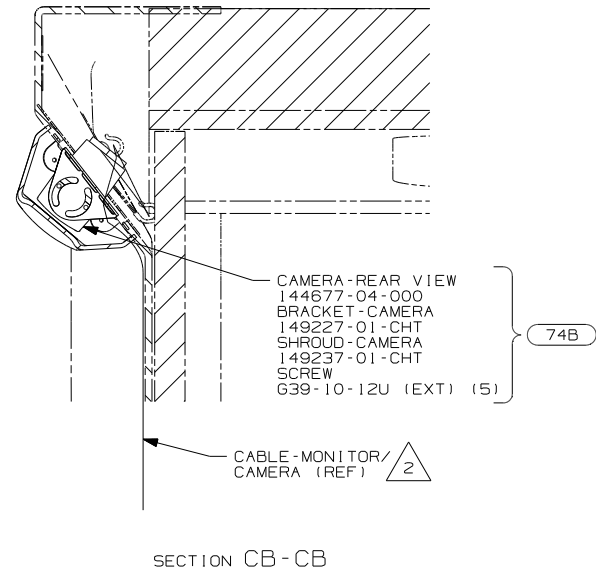
FOR ELECTRICAL TORQUE SPECIFICATIONS SEE DWG NO. 128783-01-000

X-X FOR ELECTRICAL CALLOUTS SEE DWG NO. 121339-01-000

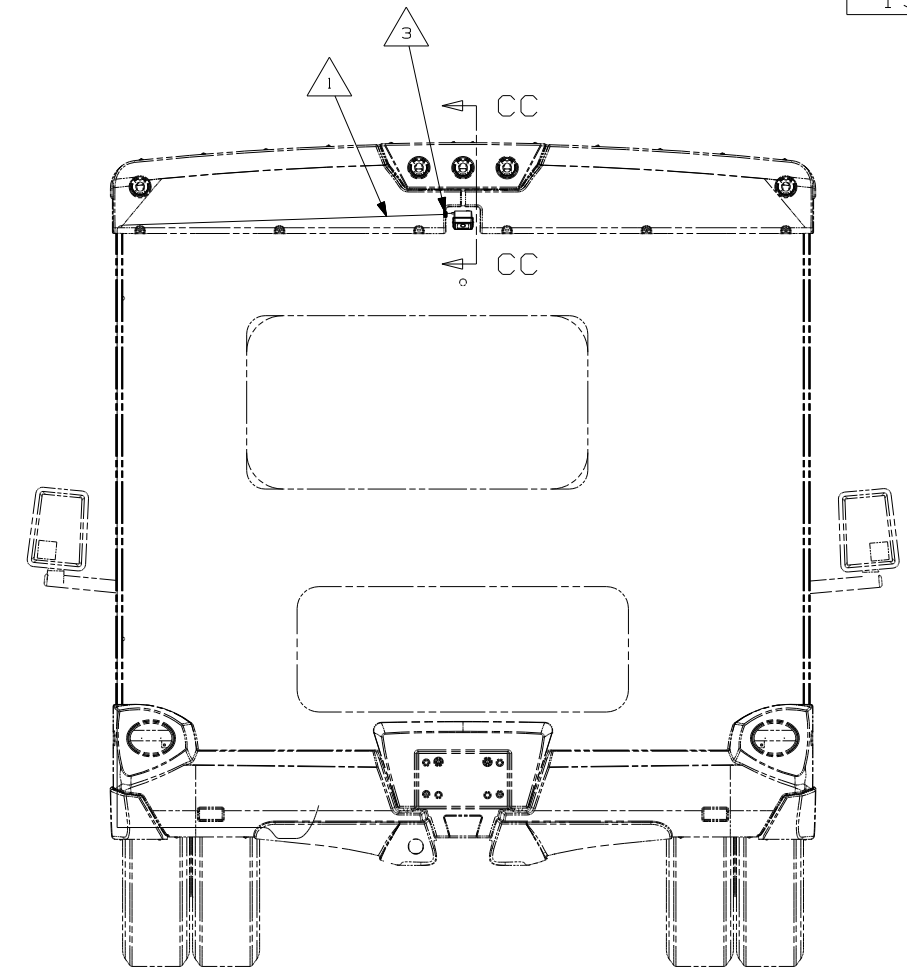
| | |
|----------------------|--------------------|
| FIRST USED | |
| 07 C-BODIES | |
| DO NOT SCALE DRAWING | |
| TITLE: MONITOR INSTL | |
| SHEET 2 | PART NO 156332 REV |



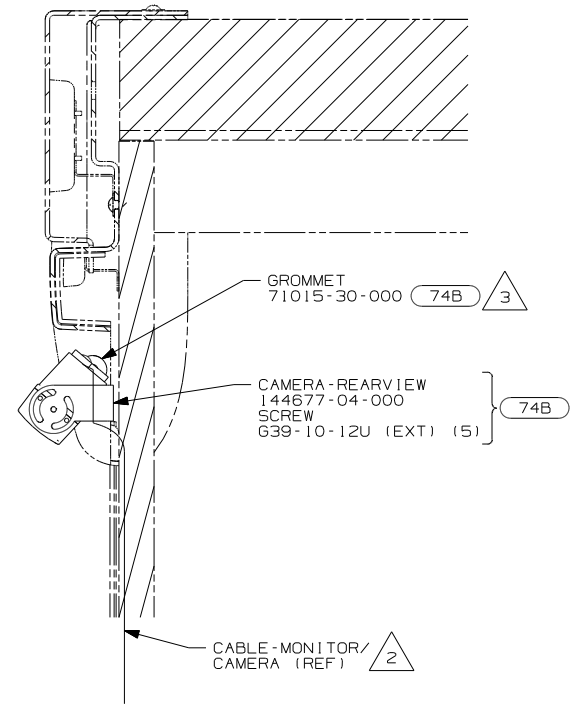
VIEW CA
(1700 SERIES)



SECTION CB - CB



VIEW CA
(300 SERIES)



SECTION CC - CC

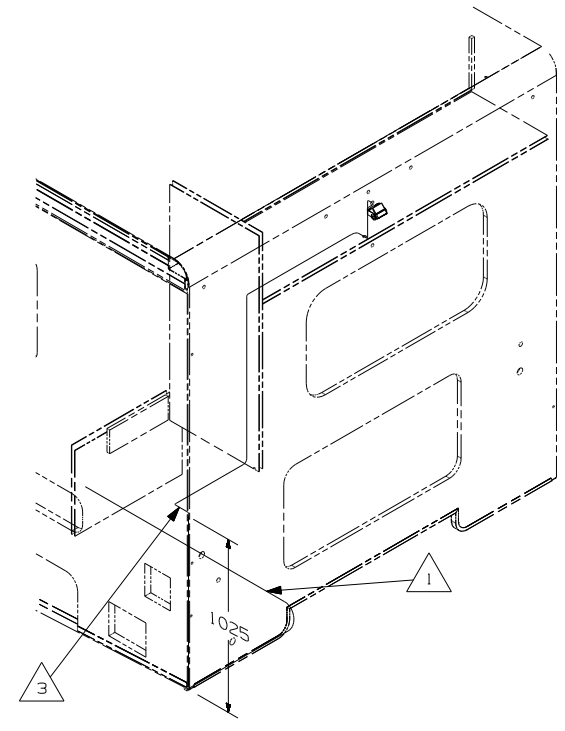
- NOTES:
- 3 DRILL Ø19MM HOLE THRU DIMPLE ON TRIM-BACKWALL, UPPER, LEFT AND INSTALL GROMMET WITH 74B
 - 2 REAR MONITOR CABLE IS PART OF THE WIRE ASM-CHASSIS.
 - 1 END CABLE IN THIS AREA WITH 1A5

- 74B REARVIEW MONITOR SYSTEM
- 1A5 REARVIEW MONITOR SYSTEM W/O
- 265 CODES/STANDARDS-CSA/CMVSS
- 1B1 CODES/STANDARDS USA

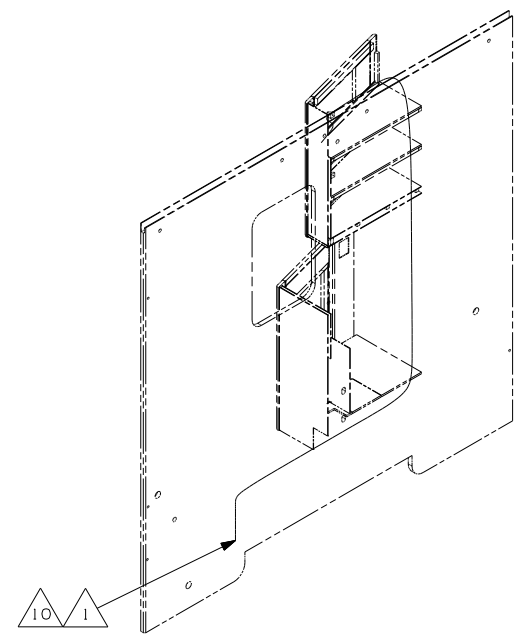
FOR ELECTRICAL TORQUE SPECIFICATIONS SEE DWG NO. 128783-01-000

FOR ELECTRICAL CALLOUTS SEE DWG NO. 121339-01-000

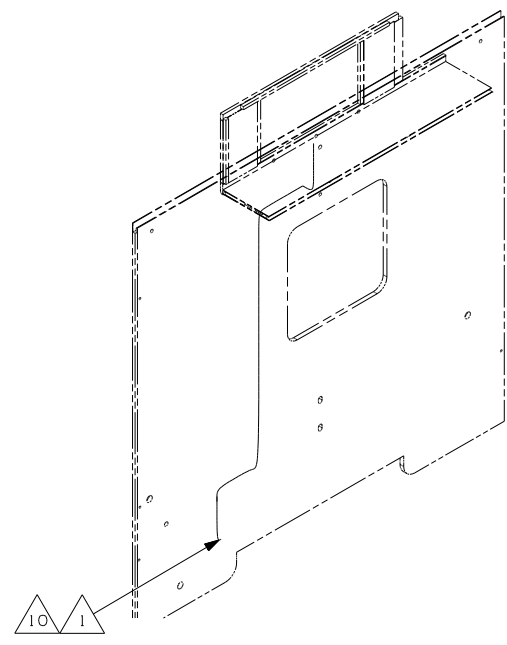
| | | |
|------------|----------------------|-------------|
| FIRST USED | 07 C-BODIES | |
| TITLE: | DO NOT SCALE DRAWING | |
| SHEET 3 | PART NO | 156332 |
| | REV | 1 5/15/2007 |



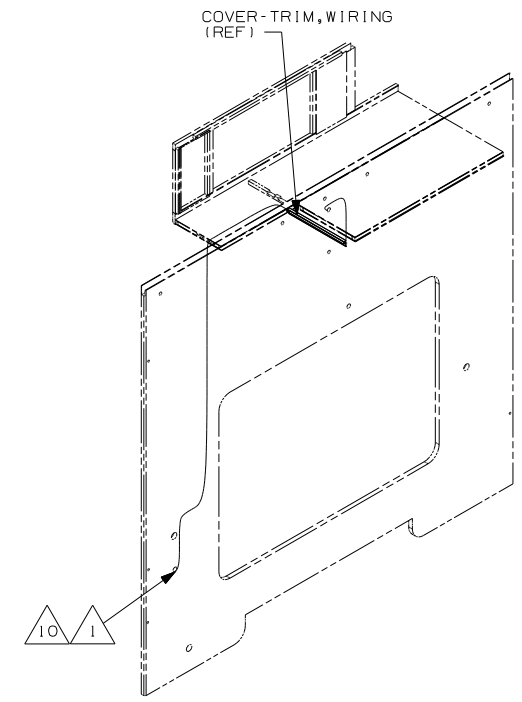
VIEW DC 6



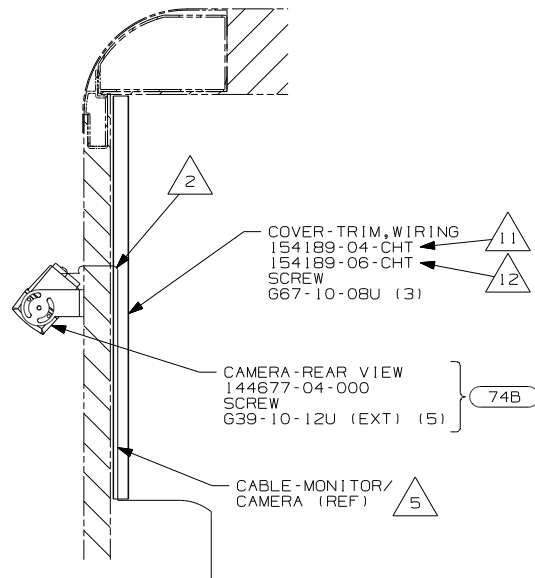
VIEW DD 7



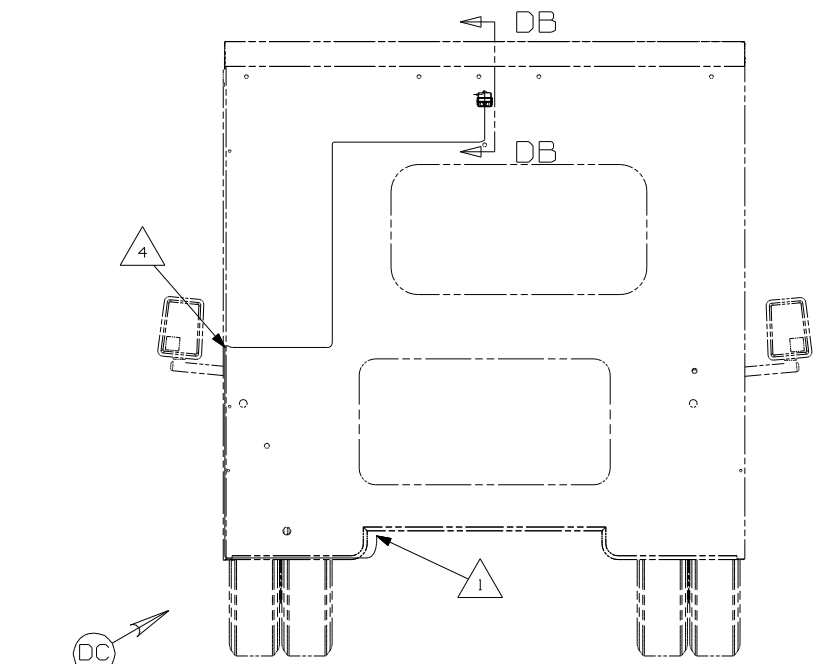
VIEW DE 8



VIEW DF 9



SECTION DB-DB



VIEW DA

- NOTES:
- 12 USED ONLY ON 224V.
 - 11 NOT USED ON 222B.
 - 10 WIRE ROUTED THRU FLOOR IN THIS AREA.
 - 9 VIEW DF COVERS THE 226A.
 - 8 VIEW DE COVERS THE 224V.
 - 7 VIEW DD COVERS THE 222B.
 - 6 VIEW DC COVERS THE 231C, 228P & 229T.
 - 5 REAR MONITOR CABLE IS PART OF THE WIRE ASM-CHASSIS.
 - 4 ROUTE CAMERA CABLE THRU BACKWALL IN THIS AREA.
 - 3 DRILL Ø19MM HOLE THRU BACKWALL INTO BOTTOM OF WARDROBE CABINET FOR ROUTING OF CAMERA CABLE.
 - 2 CABLE ROUTED THRU BACKWALL.
 - 1 ALONG CHASSIS FRAME RAIL SECURE WITH WIRE TIE 8343-04-000.

- 74B REARVIEW MONITOR SYSTEM
- 1A5 REARVIEW MONITOR SYSTEM W/O
- 265 CODES/STANDARDS-CSA/CMVSS
- 1B1 CODES/STANDARDS USA

| | |
|----------------------|--------------------|
| FIRST USED | |
| 07 C-BODIES | |
| DO NOT SCALE DRAWING | |
| TITLE: MONITOR INSTL | |
| SHEET 4 | PART NO 156332 REV |

FOR ELECTRICAL TORQUE SPECIFICATIONS SEE DWG NO. 128783-01-000

FOR ELECTRICAL CALLOUTS SEE DWG NO. 121339-01-000

| DRAWING NO. | FEATURES | SHEETS |
|-------------|----------|--------|
| 157362-01 | (12X) | 1, 2 |
| 157362-02 | (22W) | 1, 3 |
| 157362-03 | (644) | 1, 4 |

RELEASE REV DATE A
 REV ZONE REVISION RECORD DATE DFR-019
 DWG NO 157362

| | | 222B | 224V | 226A | 228P | 229T | 231C |
|-----------------------------------|-------------------|---------------|---------------|---------------|---------------|---------------|---------------|
| CABLE ASM-STARTER (RED) | (16B) (16C) (16E) | 141415-34-056 | 141415-34-048 | 141415-34-046 | 141415-34-056 | 141415-34-056 | 141415-34-053 |
| | (1PY) | ----- | 141415-34-025 | 141415-34-029 | 141415-34-029 | 141415-34-029 | 141415-34-036 |
| CABLE ASM-COACH BATTERY (YEL) | (16B) (16C) (16E) | 141415-52-016 | 141415-52-012 | 141415-52-008 | 141415-52-021 | 141415-52-021 | 141415-52-016 |
| | (1PY) | ----- | 141415-52-012 | 141415-52-008 | 141415-52-021 | 141415-52-021 | 141415-52-016 |
| CABLE ASM-COACH BATTERY GND (BLK) | (16B) (16C) (16E) | 133566-12-008 | 133566-12-007 | 133566-12-010 | 133566-12-007 | 133566-12-008 | 133566-12-008 |
| | (1PY) | ----- | 133566-12-007 | 133566-12-010 | 133566-12-007 | 133566-12-008 | 133566-12-008 |
| CABLE ASM-GENERATOR (GRN) | (16B) (16C) (16E) | 141415-42-032 | 141415-42-032 | 141415-42-038 | 141415-42-036 | 141415-42-064 | 141415-42-068 |
| | (1PY) | ----- | 141415-42-032 | 141415-42-038 | 141415-42-036 | 141415-42-064 | 141415-42-068 |
| CABLE ASM-GENERATOR GND (BLK) | (16B) (16C) (16E) | 133566-11-008 | 133566-11-008 | 133566-11-008 | 133566-11-008 | 133566-11-008 | 133566-11-008 |
| | (1PY) | ----- | 133566-11-008 | 133566-11-008 | 133566-11-008 | 133566-11-008 | 133566-11-008 |

△
△
△
△

| | | 325F | 327L | 329B | 331C | 331H |
|-----------------------------------|-------|---------------|---------------|---------------|---------------|---------------|
| CABLE ASM-STARTER (RED) | (16E) | 141415-34-056 | 141415-34-056 | 141415-34-056 | 141415-34-049 | 141415-34-052 |
| | (1PY) | 141415-34-030 | 141415-34-029 | 141415-34-029 | 141415-34-032 | ----- |
| CABLE ASM-COACH BATTERY (YEL) | (16E) | 141415-52-017 | 141415-52-009 | 141415-52-021 | 141415-52-016 | 141415-52-022 |
| | (1PY) | 141415-52-017 | 141415-52-009 | 141415-52-021 | 141415-52-016 | ----- |
| CABLE ASM-COACH BATTERY GND (BLK) | (16E) | 133566-12-007 | 133566-12-006 | 133566-12-007 | 133566-12-006 | 133566-12-008 |
| | (1PY) | 133566-12-007 | 133566-12-006 | 133566-12-007 | 133566-12-006 | ----- |
| CABLE ASM-GENERATOR (GRN) | (16E) | 141415-42-031 | 141415-42-067 | 141415-42-044 | 141415-42-068 | 141415-42-078 |
| | (1PY) | 141415-42-031 | 141415-42-067 | 141415-42-044 | 141415-42-068 | ----- |
| CABLE ASM-GENERATOR GND (BLK) | (16E) | 133566-11-008 | 133566-11-008 | 133566-11-008 | 133566-11-008 | 133566-11-008 |
| | (1PY) | 133566-11-008 | 133566-11-008 | 133566-11-008 | 133566-11-008 | ----- |

△
△
△
△

- (644) GREAT ALASKAN RENTAL PACKAGE
- (22W) BATTERY-SECOND
- (12X) BATTERY-ONE
- (1PY) CHEVY CHASSIS 14,050 LB GVWR
- (16E) FORD CHASSIS 14,050 LB.GVWR
- (16C) FORD CHASSIS 11,500 LB.GVWR
- (16B) FORD CHASSIS 10,700 LB.GVWR
- (265) CODES/STANDARDS-CSA/CMVSS
- (1B1) CODES/STANDARDS USA

(1B1) (265)

WINNEBAGO INDUSTRIES, INC. COPYRIGHT 2006

DFTR ORIG. DATE
 CHKR P.E. ALL DIMENSIONS ARE IN MILLIMETERS
 M.E. FIRST USED
 DSNR 07 200/300 SER

UNSPECIFIED TOLERANCES ARE: MATERIAL:
 HOLE DIM (X) :
 ONE-PLACE (X.X) :
 TWO-PLACE (X.XX) :
 ANGLE :
 THIRD ANGLE PROJECTION

DO NOT SCALE DRAWING

TITLE: BATTERY INSTL

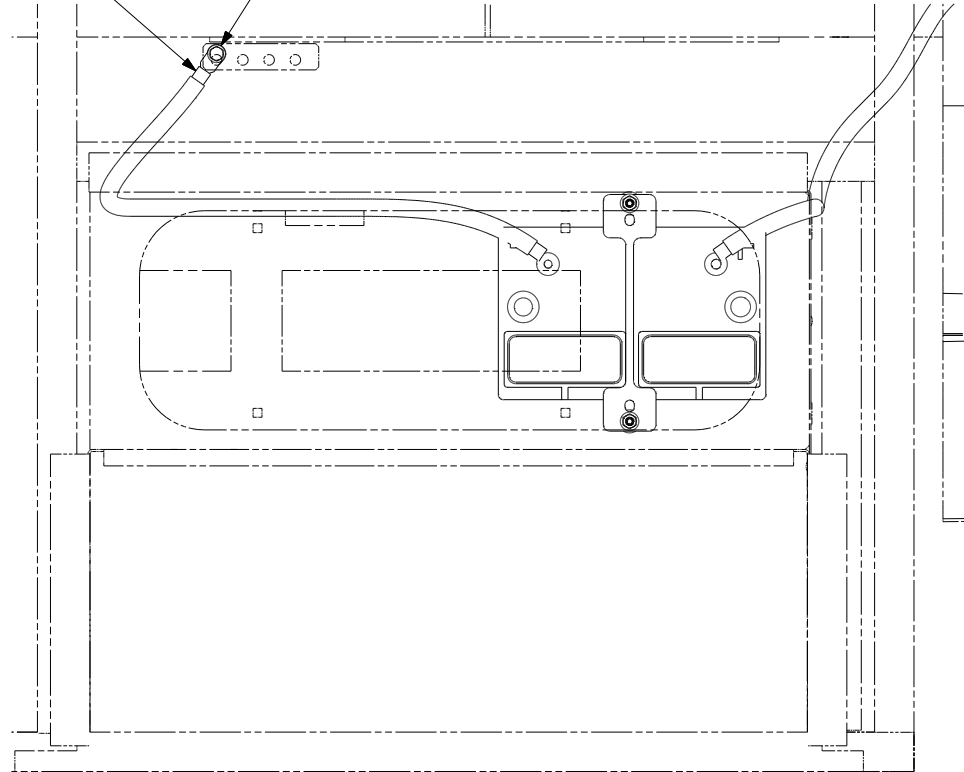
SHEET 1 of 4 PART NO 157362 REV
 REF: 1 5/15/2007

△ ROUTING OF CABLES SHOWN ON WIRING INSTL-CHASSIS ONLY.
 NOTES:

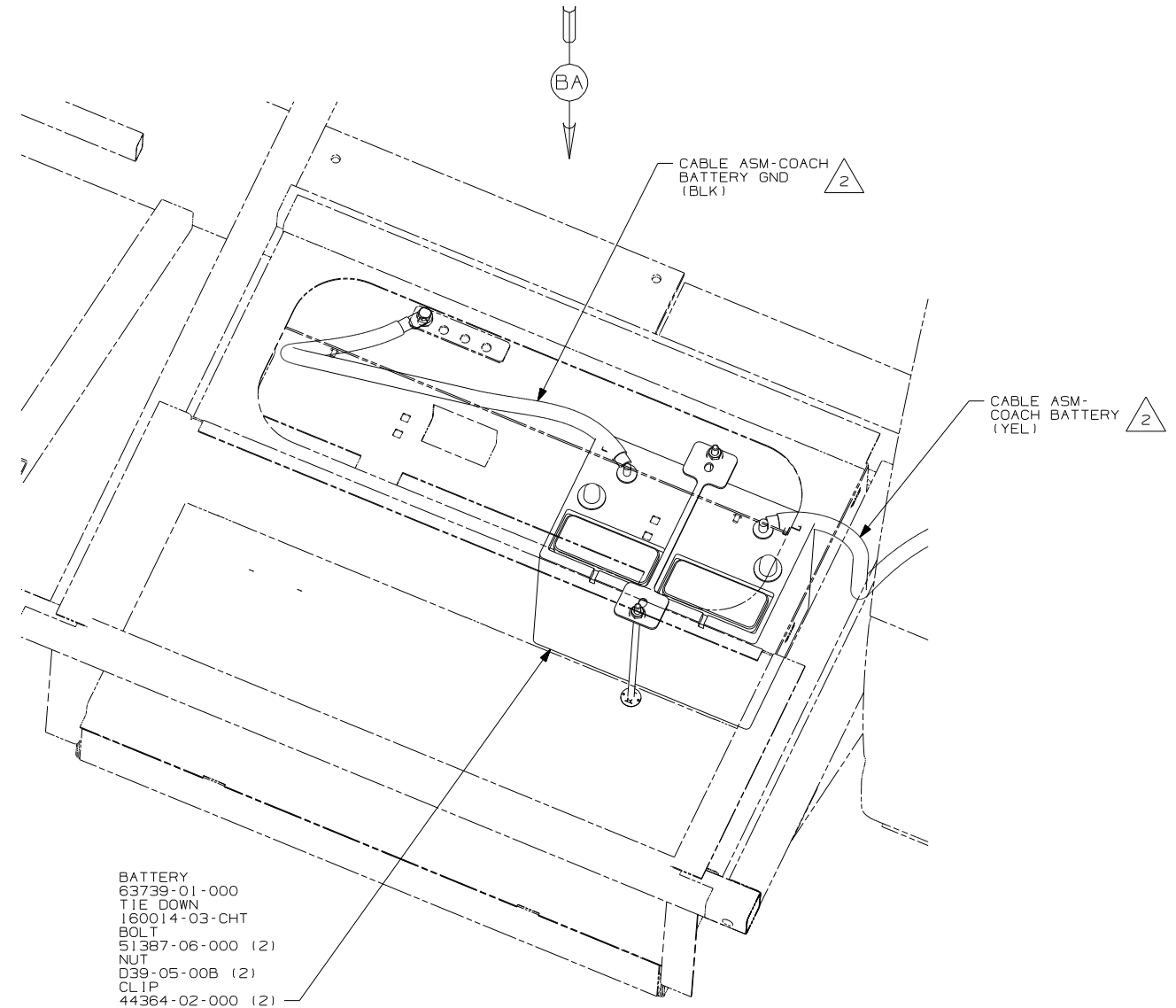
FOR ELECTRICAL TORQUE SPECIFICATIONS SEE DWG NO. 128783-01-000

(X-X) FOR ELECTRICAL CALLOUTS SEE DWG NO. 121339-01-000

TO GROUND BAR
BOLT
C26-05-16B
NUT
D39-05-00B



VIEW BA



BATTERY
63739-01-000
TIE DOWN
160014-03-CHT
BOLT
51387-06-000 (2)
NUT
D39-05-00B (2)
CLIP
44364-02-000 (2)

BATTERY BOX

- (12X) BATTERY-ONE
- (265) CODES/STANDARDS-CSA/CMVSS
- (1B1) CODES/STANDARDS USA

(1B1) (265) (12X)

| | |
|------------|----------------------|
| FIRST USED | 07 200/300 SER |
| TITLE | DO NOT SCALE DRAWING |
| TITLE | BATTERY INSTL |
| SHEET 2 | PART NO 157362 REV |

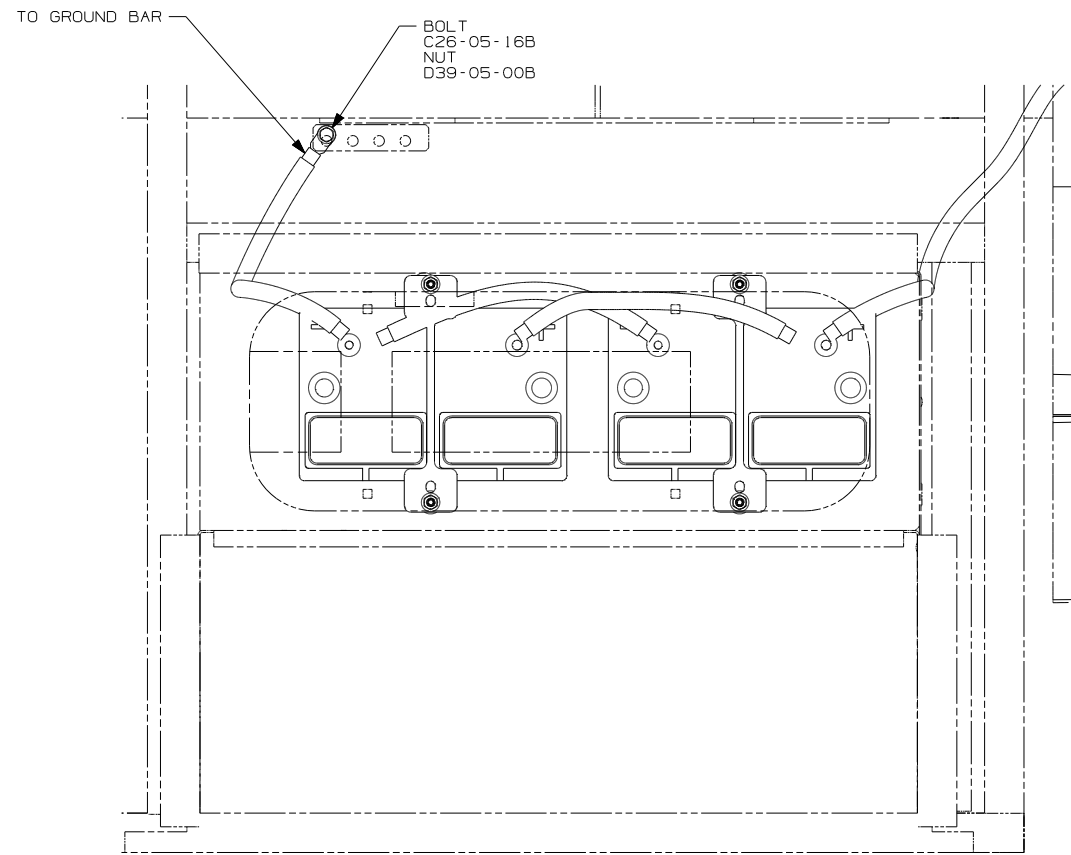
FOR ELECTRICAL TORQUE SPECIFICATIONS SEE DWG NO. 128783-01-000

FOR ELECTRICAL CALLOUTS SEE DWG NO. 121339-01-000

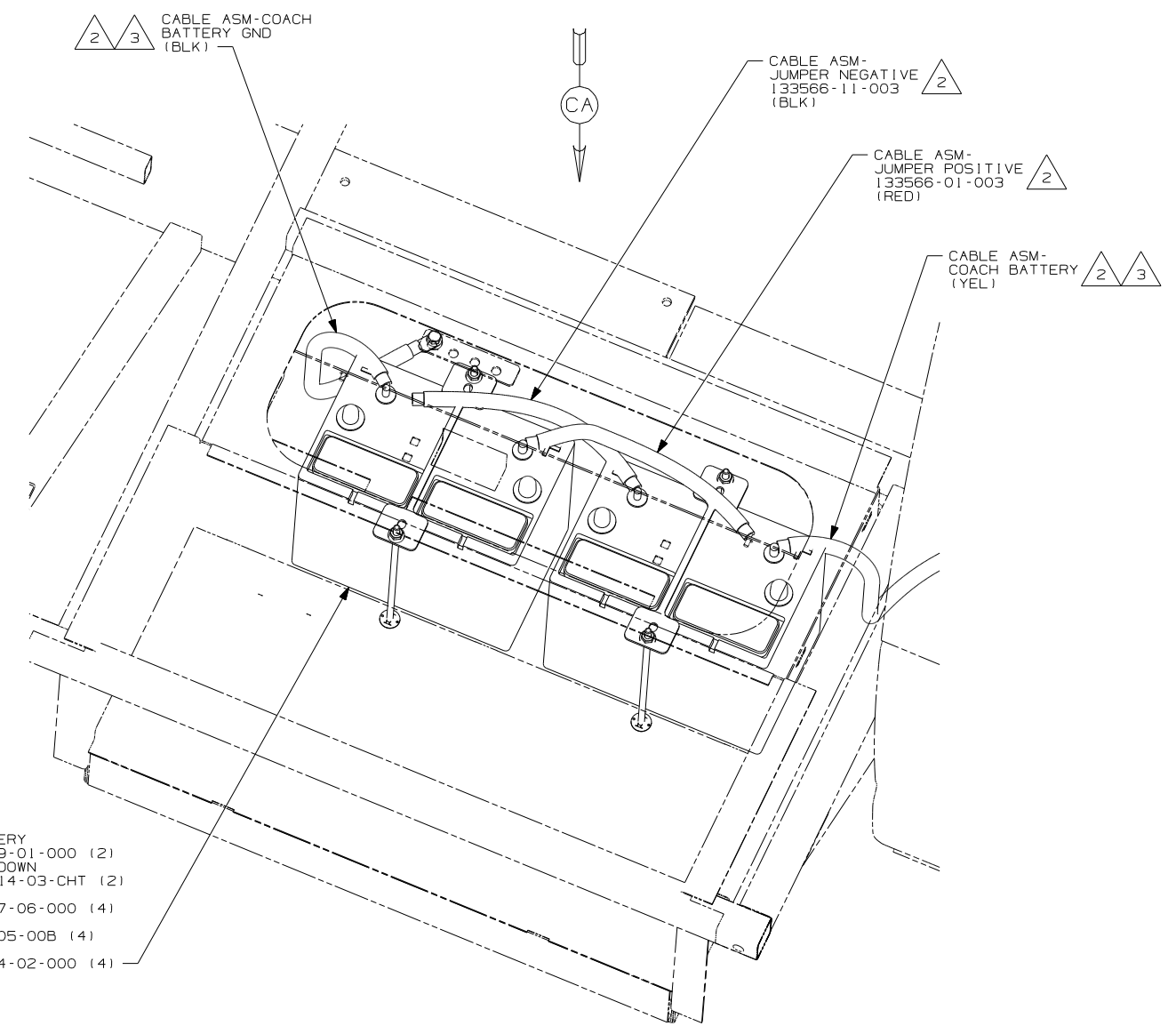
△ BATTERY CABLES ARE NOT TO BE ROUTED OVER BATTERY FILL CAPS.

1. SEE WIRING INSTL-CHASSIS FOR ADDITIONAL INFORMATION.

NOTES:





VIEW CA  

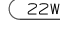
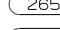
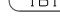



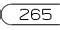
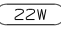
- BATTERY 63739-01-000 (2)
- TIE DOWN 160014-03-CHT (2)
- BOLT 51387-06-000 (4)
- NUT D39-05-00B (4)
- CLIP 44364-02-000 (4)

BATTERY BOX


-  THE POSITIVE AND NEGATIVE BATTERY CABLES ARE TO BE TERMINATED ON OPPOSITE BATTERIES.
-  BATTERY CABLES ARE NOT TO BE ROUTED OVER BATTERY FILL CAPS.

NOTES:
1. SEE WIRING INSTL-CHASSIS FOR ADDITIONAL INFORMATION.

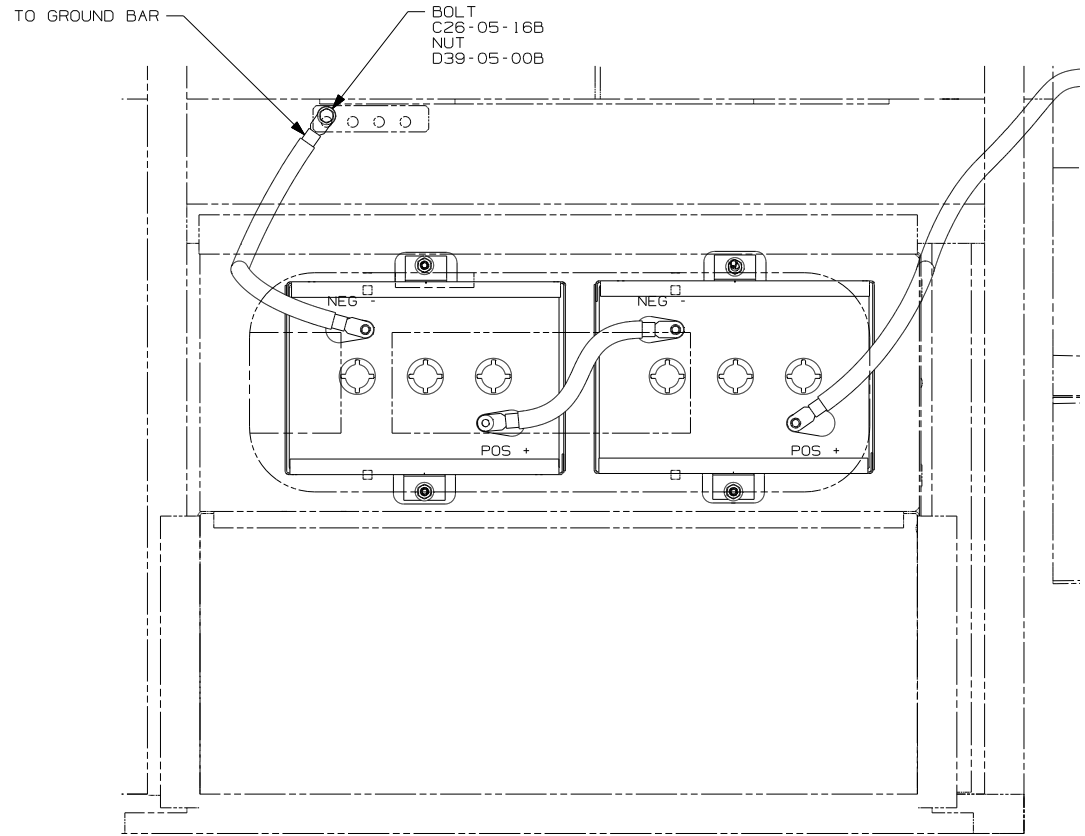
-  BATTERY - SECOND
-  CODES/STANDARDS - CSA/CMVSS
-  CODES/STANDARDS USA

-   

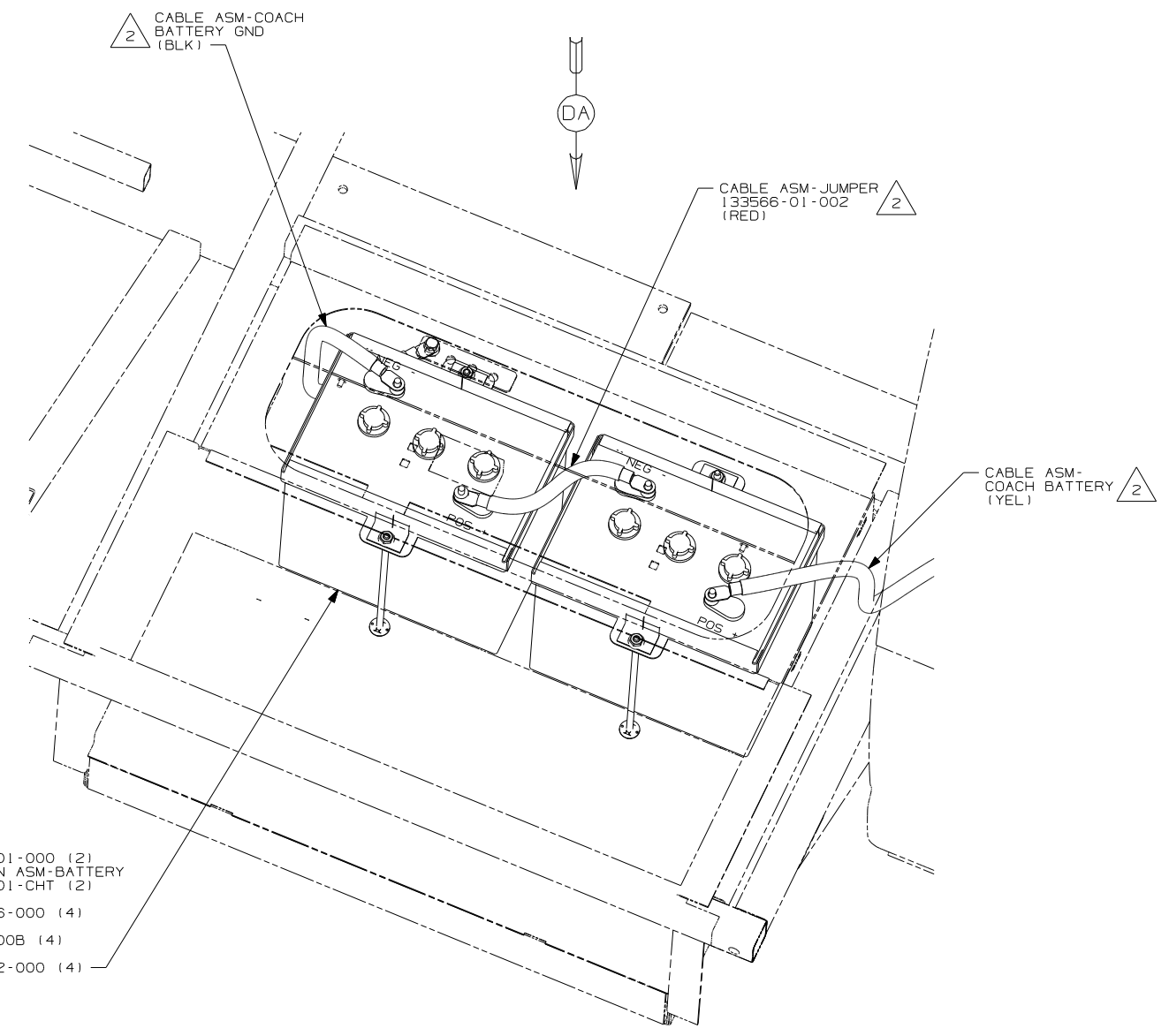
FOR ELECTRICAL TORQUE SPECIFICATIONS SEE DWG NO. 128783-01-000

 FOR ELECTRICAL CALLOUTS SEE DWG NO. 121339-01-000

| | |
|------------|----------------------|
| FIRST USED | 07 200/300 SER |
| TITLE | DO NOT SCALE DRAWING |
| TITLE | BATTERY INSTL |
| SHEET 3 | PART NO 157362 REV |

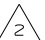


VIEW DA 



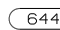
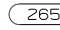
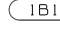
- BATTERY
- 146110-01-000 (2)
- TIE DOWN ASM-BATTERY
- 146624-01-CHT (2)
- BOLT
- 51387-06-000 (4)
- NUT
- D39-05-00B (4)
- CLIP
- 44364-02-000 (4)


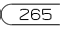
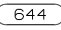
BATTERY BOX

 BATTERY CABLES ARE NOT TO BE ROUTED OVER BATTERY FILL CAPS.

1. SEE WIRING INSTL-CHASSIS FOR ADDITIONAL INFORMATION.


NOTES:

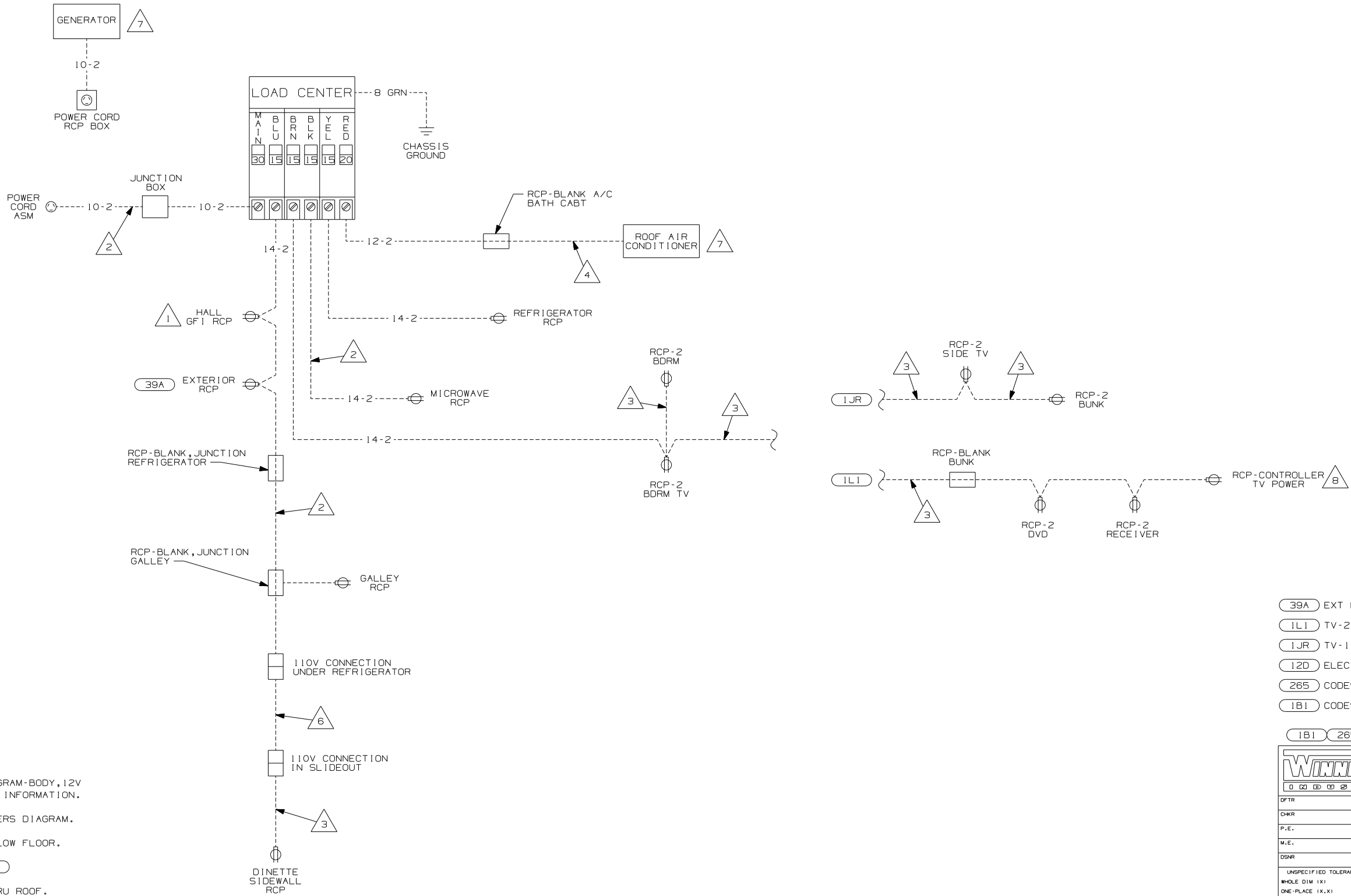
-  GREAT ALASKAN RENTAL PACKAGE
-  CODES/STANDARDS-CSA/CMVSS
-  CODES/STANDARDS USA

| | |
|----------------------|--------------------|
| FIRST USED | |
| 07 200/300 SER | |
| DO NOT SCALE DRAWING | |
| TITLE: BATTERY INSTL | |
| SHEET 4 | PART NO 157362 REV |

FOR ELECTRICAL TORQUE SPECIFICATIONS SEE DWG NO. 128783-01-000

 FOR ELECTRICAL CALLOUTS SEE DWG NO. 121339-01-000



- △ 8 SEE WIRING DIAGRAM-BODY, 12V FOR ADDITIONAL INFORMATION.
- △ 7 SEE MANUFACTURERS DIAGRAM.
- △ 6 WIRE ROUTED BELOW FLOOR.
- △ 5 ONLY WITH (1L1)
- △ 4 WIRE ROUTED THRU ROOF.
- △ 3 WIRE ROUTED THRU SIDEWALL.
- △ 2 WIRE ROUTED THRU FLOOR.
- △ 1 ALL OUTLETS DOWN STREAM AND INCLUDING THIS OUTLET ARE GROUND FAULT CIRCUIT INTERRUPT PROTECTED.

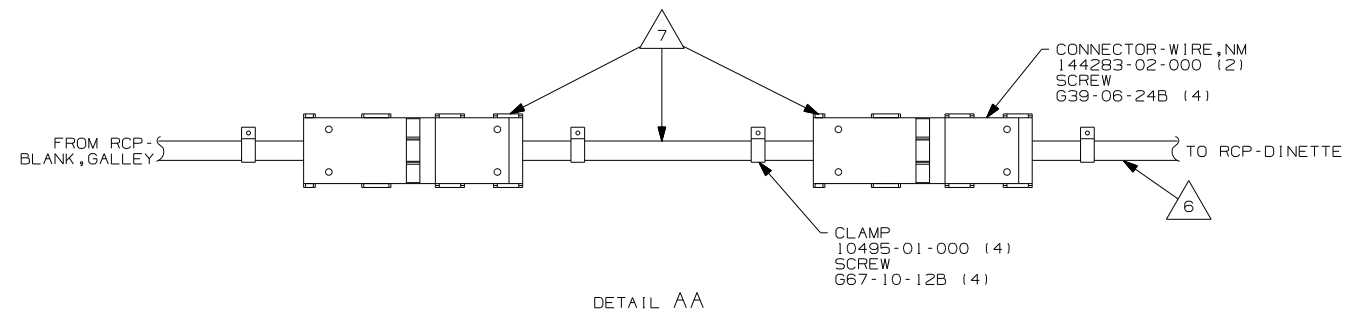
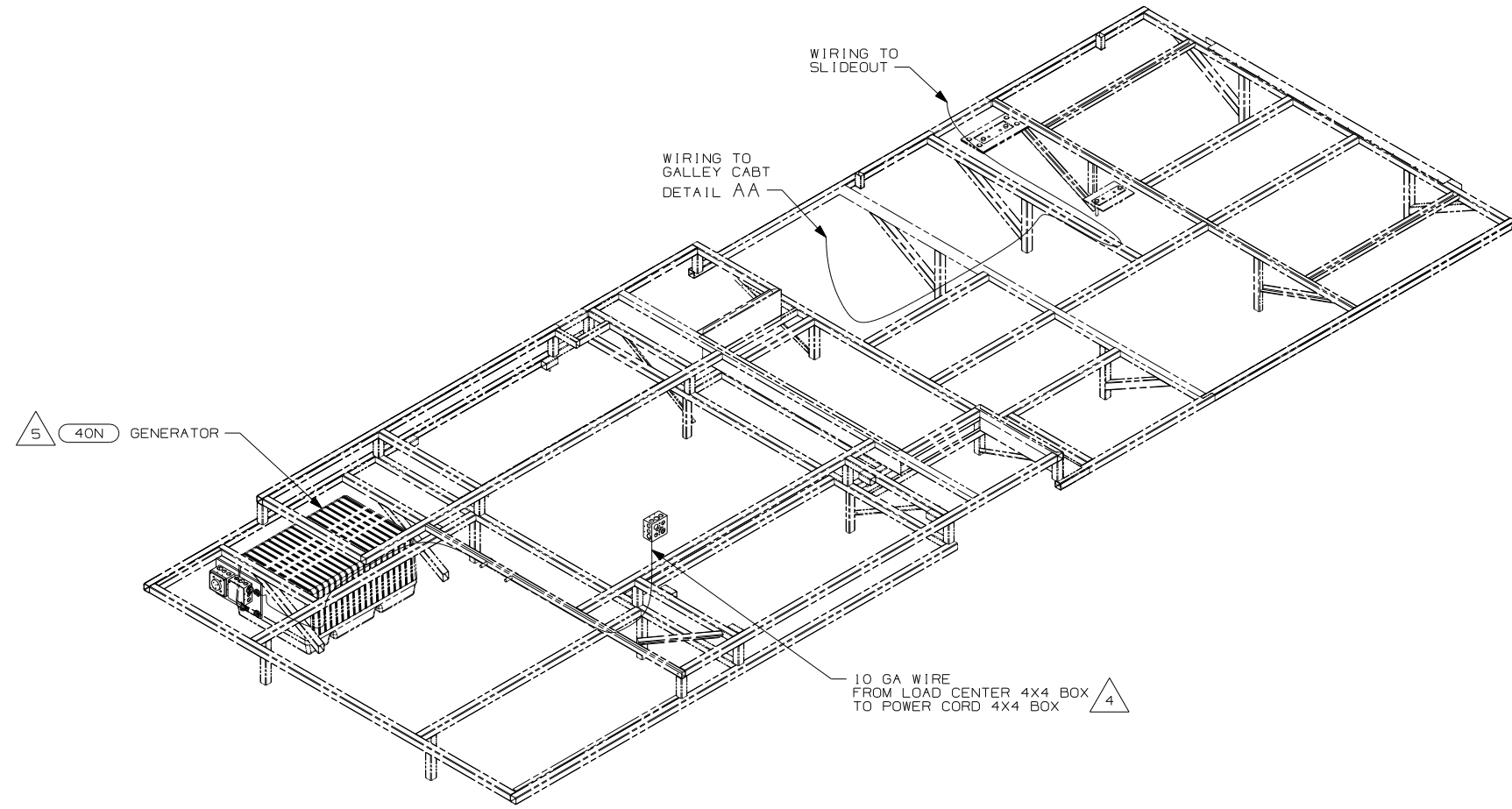
NOTES:

- (39A) EXT RECEPTACLE DPLX 120VAC
- (1L1) TV-27" W/VIDEO SELECTION SYS
- (1JR) TV-13" W/DVD-12V
- (12D) ELECTRICAL SYSTEM 30 AMP
- (265) CODES/STANDARDS-CSA/CMVSS
- (1B1) CODES/STANDARDS-USA

| | | | |
|-------------------------------------|--------------------------------------|---|-----|
| WINNEBAGO | | COPYRIGHT 2006 WINNEBAGO INDUSTRIES, INC. | |
| DFTR | ORIG. DATE | | |
| CHKR | ALL DIMENSIONS ARE IN MILLIMETERS | | |
| P.E. | | | |
| M.E. | FIRST USED | 07 229T | |
| DSNR | | | |
| UNSPECIFIED TOLERANCES ARE: | | MATERIAL: | |
| WHOLE DIM (X) | : | | |
| ONE-PLACE (X.X) | : | | |
| TWO-PLACE (X.XX) | : | | |
| ANGLE | : | | |
| THIRD ANGLE PROJECTION | | | |
| DO NOT SCALE DRAWING | | | |
| TITLE: WIRING DIAGRAM-BODY, 110V | | | |
| SHEET 1 of 1 | PART NO | 157277 | REV |
| REF: | | 1 6/17/2006 | |

| DRAWING NO. | FEATURE |
|-------------|-------------|
| 157270-01 | ----- |
| 157270-11 | (1B1) (12D) |
| 157270-15 | (265) (12D) |

| | | |
|----------|-----------------|---------------|
| RELEASE | REV DATE | DWG NO |
| A | | 157270 |
| REV ZONE | REVISION RECORD | DATE DFR-ORIG |



- (40N) GEN-4.0KW-ONAN-GAS-MICROLITE
- (12D) ELECTRICAL SYSTEM 30 AMP
- (265) CODES/STANDARDS-CSA-CMVSS
- (1B1) CODES/STANDARDS USA

WINNEBAGO INDUSTRIES, INC. COPYRIGHT 2006

| | |
|------|-----------------------------------|
| DFTR | ORIG. DATE |
| CHKR | ALL DIMENSIONS ARE IN MILLIMETERS |
| P.E. | |
| M.E. | FIRST USED |
| DSNR | 07 229T |

UNSPECIFIED TOLERANCES ARE: MATERIAL:

| | |
|------------------|--------|
| WHOLE DIM (X) | : 3 |
| ONE-PLACE (X.X) | : 1.5 |
| TWO-PLACE (X.XX) | : 0.50 |
| ANGLE | : 1° |

THIRD ANGLE PROJECTION

DO NOT SCALE DRAWING

TITLE: WIRING INSTL-BODY, 110V

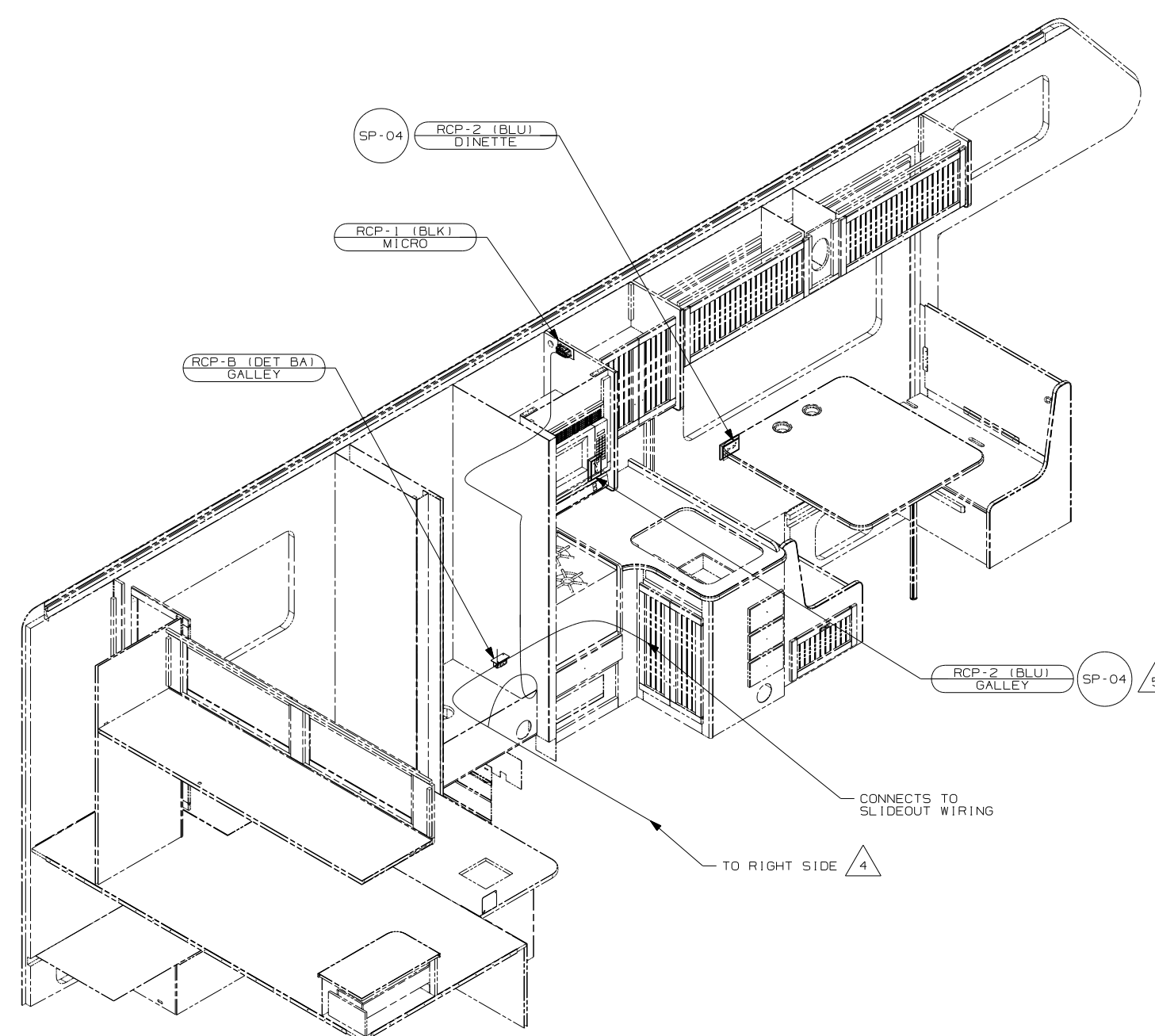
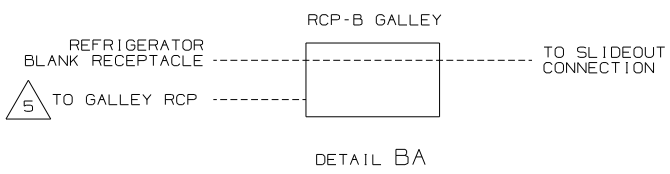
SHEET 1 OF 3 PART NO 157270 REV

REF: 1 1/15/2007

- NOTES:
1. ALL WIRES TO BE SECURED WITH CLAMP 10495-01-000 OR CLIP 80734-01-000 EVERY 600MM. USE SCREW 667-10-12B UNLESS OTHERWISE SPECIFIED.
 2. ALL 110V WIRE ARE TO BE CLAMPED WITH CLAMP 10497-05-000 WITHIN 200MM OF OUTLET BOXES, USE SCREW 667-10-12B.
 3. ALL GROUND WIRES TO BE COVERED WITH TUBING 8041-02-000.

FOR ELECTRICAL TORQUE SPECIFICATIONS SEE DWG NO. 128783-01-000

(X-X) FOR ELECTRICAL CALLOUTS SEE DWG NO. 121339-01-000



- △ 5 WIRE ROUTED IN SIDEWALL.
- △ 4 WIRE ROUTED IN FLOOR.

- 3. ALL GROUND WIRES TO BE COVERED WITH TUBING 8041-02-000.
- 2. ALL WIRING TO BE SECURED WITHIN 200MM OF OUTLET BOXES.
- 1. ALL WIRES TO BE SECURED WITH CLAMP 10495-01-000 OR CLIP 80734-01-000 EVERY 600MM. USE SCREW 667-10-12B UNLESS OTHERWISE SPECIFIED.

NOTES:

- 12D ELECTRICAL SYSTEM 30 AMP
- 265 CODES/STANDARDS-CSA/CMVSS
- 1B1 CODES/STANDARDS USA

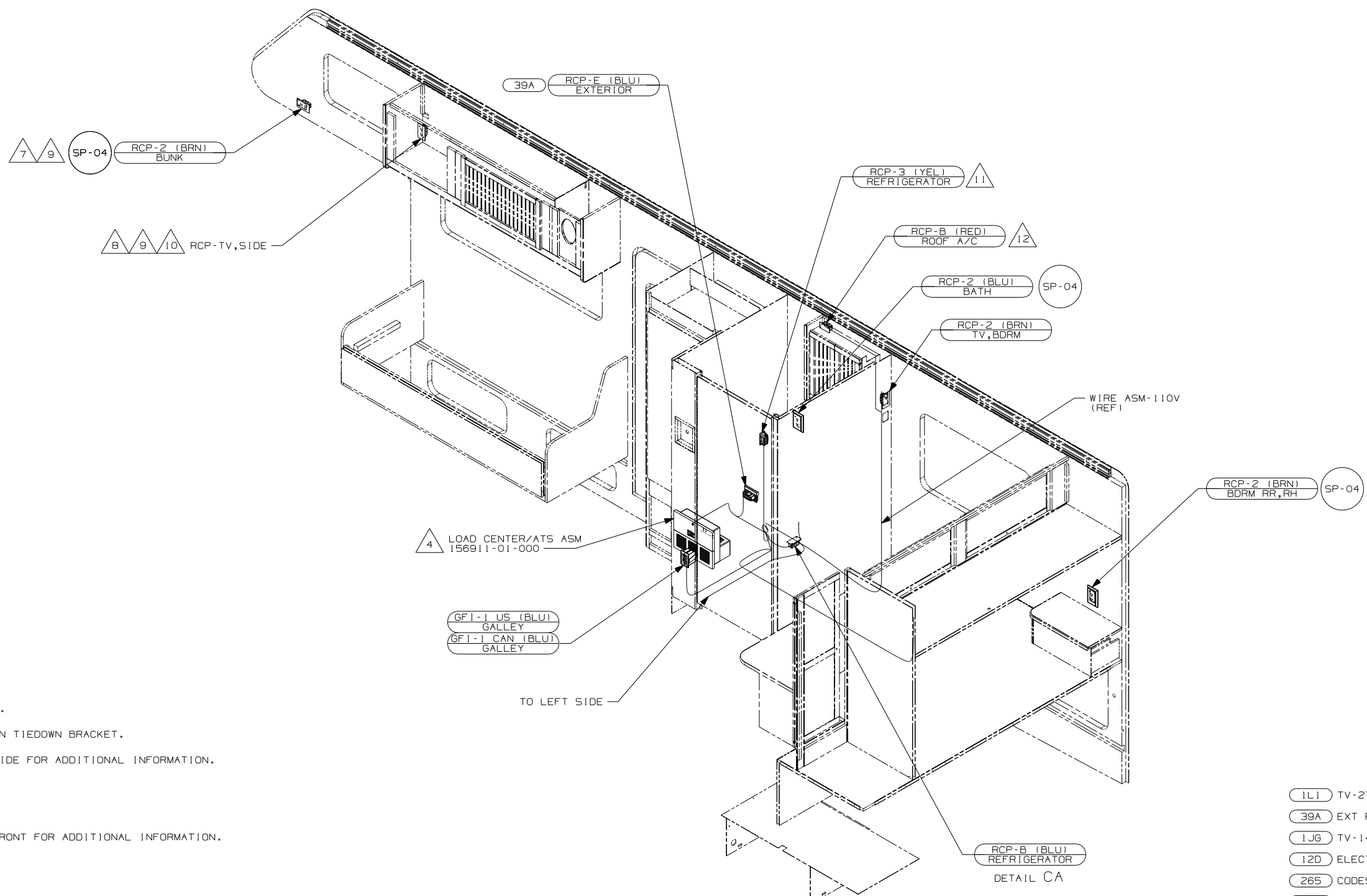
1B1 265 12D

| | |
|-------------------------|----------------|
| FIRST USED | |
| 07 229T | |
| DO NOT SCALE DRAWING | |
| TITLE: | |
| WIRING INSTL-BODY, 110V | |
| SHEET 2 | PART NO 157270 |

FOR ELECTRICAL
TORQUE
SPECIFICATIONS
SEE DWG NO.
128783-01-000

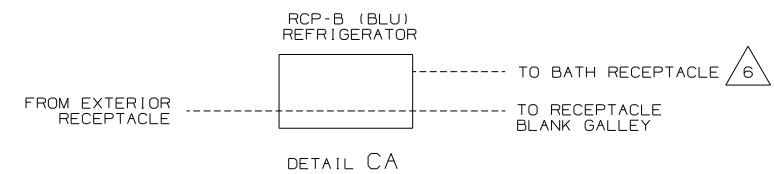
FOR ELECTRICAL
CALLOUTS
SEE DWG NO.
121339-01-000

X-X



- △12 SEE WIRING INSTL-ROOF A/C.
- △11 LOCATE REFRIGERATOR RCP ON TIEDOWN BRACKET.
- △10 SEE WIRING INSTL-TV/DVD,SIDE FOR ADDITIONAL INFORMATION.
- △9 NOT USED WITH (ILI)
- △8 NOT USED WITH (IJG)
- △7 SEE WIRING INSTL-TV/DVD,FRONT FOR ADDITIONAL INFORMATION.
- △6 WIRE ROUTED IN SIDEWALL.
- △5 WIRE ROUTED IN ROOF.
- △4 SEE LOAD CENTER/ATS ASM FOR MORE INFORMATION.

- NOTES:
3. ALL GROUND WIRES TO BE COVERED WITH TUBING 8041-02-000.
 2. ALL WIRING TO BE SECURED WITHIN 200MM OF OUTLET BOXES.
 1. ALL WIRES TO BE CLAMPED WITH CLAMP 10495-01-000 OR CLIP 80734-01-000 EVERY 1200MM. USE SCREW G67-10-12B UNLESS OTHERWISE SPECIFIED.



FOR ELECTRICAL TORQUE SPECIFICATIONS SEE DWG NO. 128783-01-000

(X-X) FOR ELECTRICAL CALLOUTS SEE DWG NO. 121339-01-000

- (ILI) TV-27" W/VIDEO SELECTION SYS
- (39A) EXT RECEPTACLE DPLX 120VAC
- (IJG) TV-14" DC, LCD, & DVD, DC
- (I2D) ELECTRICAL SYSTEM 30 AMP
- (265) CODES/STANDARDS-CSA/CMVSS
- (IB1) CODES/STANDARDS USA

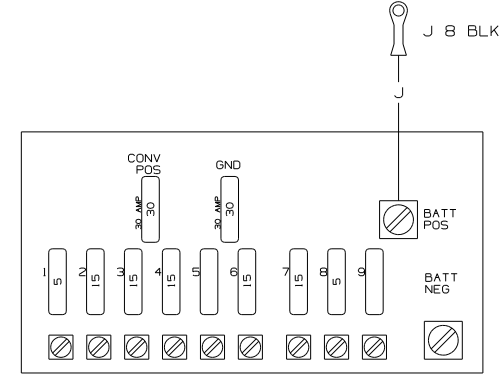
| | | |
|----------------------|-------------------------|--------|
| FIRST USED | 07 229T | |
| DO NOT SCALE DRAWING | | |
| TITLE: | WIRING INSTL-BODY, 110V | |
| SHEET 3 | PART NO | 157270 |
| REV | | |

| | | |
|----------|-----------------|---------|
| RELEASE | REV DATE | DWG NO |
| A | | 157276 |
| REV ZONE | REVISION RECORD | DATE |
| | | DFT-016 |

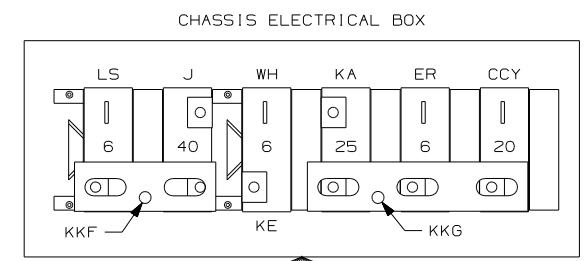
CONNECTS TO COAX INPUT — RED — CONNECTS TO WIRE ASM-RIGHT (SHT 3, D-1)

CONNECTS TO REAR VIEW MONITOR CAMERA — REAR MONITOR CABLE — CONNECTS TO REAR VIEW MONITOR

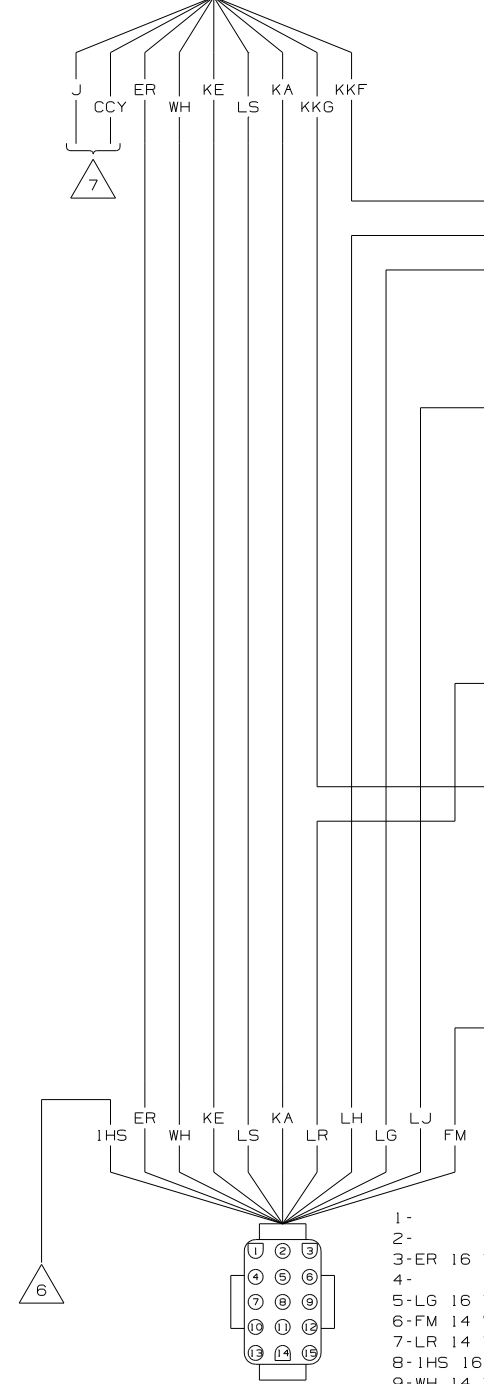
CONNECTS TO CIRCUIT BREAKER COACH POWER (SHT 1, D-5)



WIRING DIAGRAM-CHASSIS, FORD (WIRE ASM 157271 REV-L)

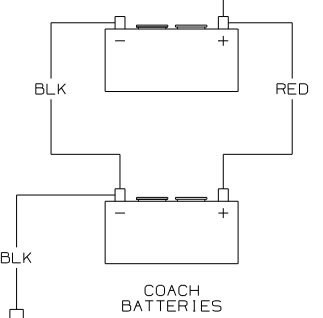


- LS 16 YEL
- J 8 BLK
- WH 14 YEL
- KA 12 YEL
- ER 16 YEL
- CCY 10 YEL
- KKF 6 BLK
- KE 14 YEL
- KKG 6 BLK



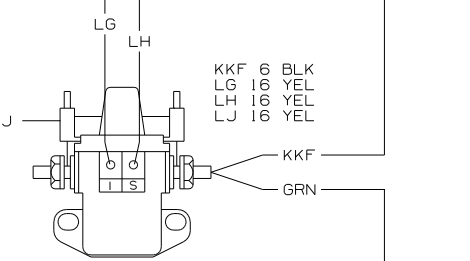
- 1- ER 16 YEL
- 2- LG 16 YEL
- 3- ER 16 YEL
- 4- FM 14 WHT
- 5- LG 16 YEL
- 6- FM 14 WHT
- 7- LR 14 YEL
- 8- IHS 16 YEL
- 9- WH 14 YEL
- 10- KE 14 YEL
- 11- LH 16 YEL
- 12- LJ 16 YEL
- 13- LJ 16 YEL
- 14- LS 16 YEL
- 15- KA 12 YEL

CONNECTS TO WIRE ASM-CHASSIS (SHT 1, D-27) OR SHT 2, D-19 (LOCATED IN CHASSIS BREAKER PANEL)



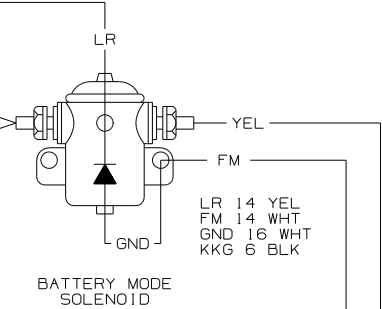
CONNECTS TO CHASSIS RAIL GROUND

WIRING DIAGRAM-ELECTRICAL BOX (WIRE ASM 124125-04 REV-M)



- KKF 6 BLK
- LG 16 YEL
- LH 16 YEL
- LJ 16 YEL

CONNECTS TO GENERATOR

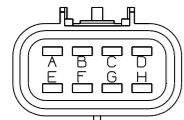


- LR 14 YEL
- FM 14 WHT
- GND 16 WHT
- KKG 6 BLK

CONNECTS TO STARTER SOLENOID

| | | | |
|---------------------------------|------------|---|--|
| WINNEBAGO | | COPYRIGHT 2006 WINNEBAGO INDUSTRIES, INC. | |
| DFT-016 | ORIG. DATE | ALL DIMENSIONS ARE IN MILLIMETERS | |
| CHKR | P.E. | FIRST USED | |
| M.E. | DSNR | 07 229T | |
| UNSPECIFIED TOLERANCES ARE: | | MATERIAL: | |
| WHOLE DIM (XX) | : | | |
| ONE-PLACE (X.X) | : | | |
| TWO-PLACE (X.XX) | : | | |
| ANGLE | : | | |
| THIRD ANGLE PROJECTION | | | |
| DO NOT SCALE DRAWING | | | |
| TITLE: WIRING DIAGRAM-BODY, 12V | | | |
| SHEET 1 of 8 | PART NO | 157276 | |

CONNECTS TO WIRE ASM-BACKWALL



- A-SC 14 YEL
- B-X 14 YEL
- C-TR 14 YEL
- D-SD 14 YEL
- E-MM 14 YEL
- F-MS 12 WHT
- G-JD 14 YEL
- H-ND 14 WHT

MM JD ND MS TR SD SC X

ORG-X 14 YEL

CONNECTS TO FORD WIRING

X

- BLK/PNK-TR 14 YEL
- LT GRN/ORG-SD 14 YEL
- ORG/LT BLU-SC 14 YEL

CONNECTS TO FORD WIRING

SC SD TR

CONNECTS TO REAR VIEW MONITOR



- 1-TR 14 YEL
- 2-MP 16 WHT
- 3-MD 14 YEL

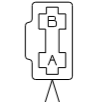
TR MP MD

CONNECTS TO ELECTRIC MIRROR (GRN/YEL)



MD 14 YEL

FUSE HOLDER



- A-MD 14 YEL
- B-WJ 12 YEL

MD WJ

ORG-WJ 12 YEL

CONNECTS TO FORD WIRING

WJ

MM JD

GND

2

2

GND

2

RRJ MS

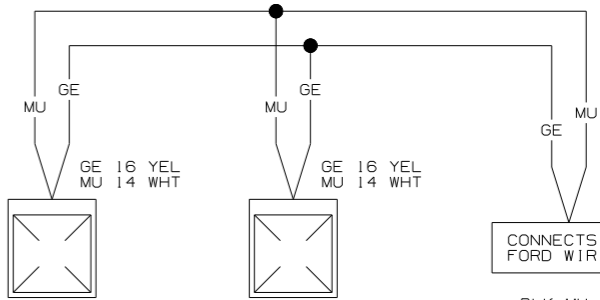
GROUND 3

- MS 12 WHT
- RRJ 12 WHT

JP JM UK NC JX KF NE FM GL-1 MP JJH JY ND EU PM

GROUND 3

- JP 14 WHT
- JM 14 WHT
- UK 14 WHT
- NC 14 WHT
- JX 14 WHT
- KF 14 WHT
- NE 14 WHT
- FM 14 WHT
- GL-1 14 WHT
- MP 16 WHT
- JJH 12 WHT
- JY 12 WHT
- ND 14 WHT
- EU 14 WHT
- PM 12 WHT

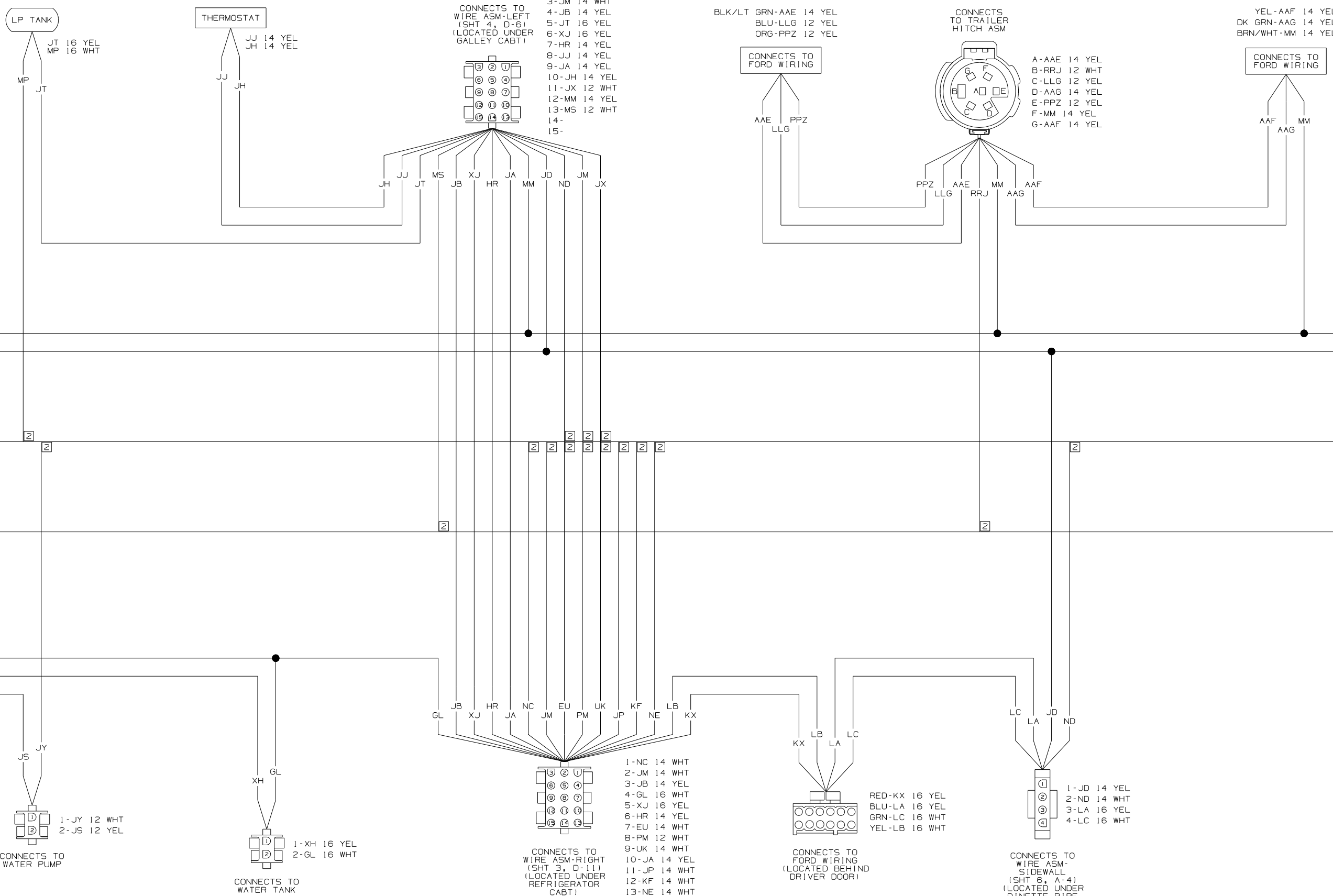


DOME LAMP

DOME LAMP

- BLK-MU 14 WHT
- BLK/LT BLU-GE 16 YEL

CONNECTS TO FORD WIRING



CONNECTS TO EMERGENCY BRAKE SWITCH

CONNECTS TO FORD DASH WIRING

CONNECTS TO WIRE ASM-RIGHT (SHT 3, A-14) (LOCATED UNDER REFRIGERATOR CABT)

CONNECTS TO WIRE ASM-ELECTRIC STEP

STEP DOOR SWITCH

CONNECTS TO WIRE ASM-ELECTRICAL BOX (SHT 1, A-5) (LOCATED IN CHASSIS BREAKER PANEL)

CONNECTS TO BATTERY CHANGEOVER SWITCH

CONNECTS TO FORD RUN ONLY CIRCUIT (WHT/PUR WIRE)

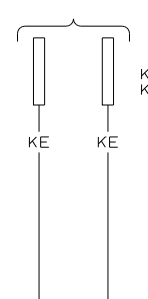
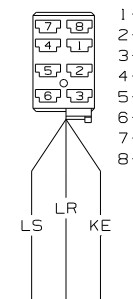
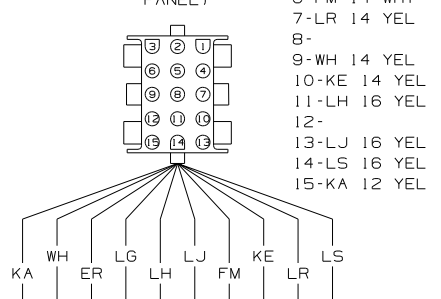
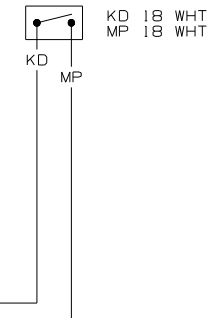
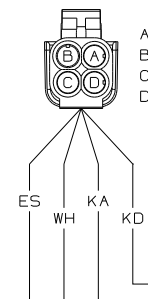
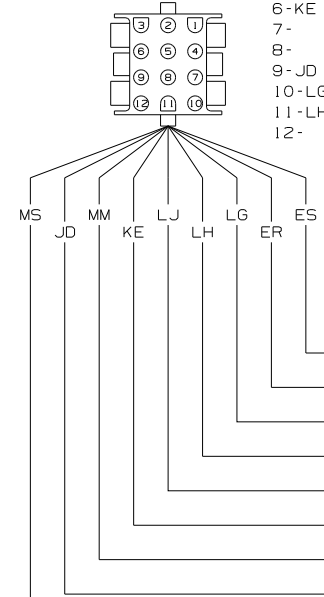
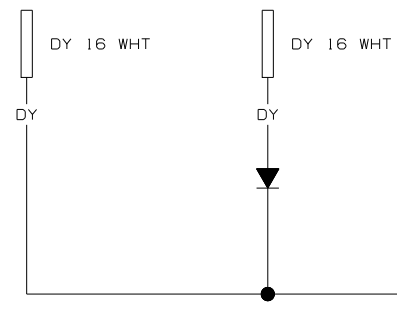
- 1-LJ 16 YEL
- 2-ER 16 YEL
- 3-ES 16 YEL
- 4-MM 14 YEL
- 5-MS 12 WHT
- 6-KE 14 YEL
- 7-
- 8-
- 9-JD 14 YEL
- 10-LG 16 YEL
- 11-LH 16 YEL
- 12-

- A-KA 12 YEL
- B-WH 14 YEL
- C-KD 18 WHT
- D-ES 16 YEL

- 1-
- 2-
- 3-ER 16 YEL
- 4-
- 5-LG 16 YEL
- 6-FM 14 WHT
- 7-LR 14 YEL
- 8-
- 9-WH 14 YEL
- 10-KE 14 YEL
- 11-LH 16 YEL
- 12-
- 13-LJ 16 YEL
- 14-LS 16 YEL
- 15-KA 12 YEL

- 1-LS 16 YEL
- 2-LR 14 YEL
- 3-KE 14 YEL
- 4-
- 5-
- 6-
- 7-
- 8-

- KE 14 YEL
- KE 14 YEL



2

2

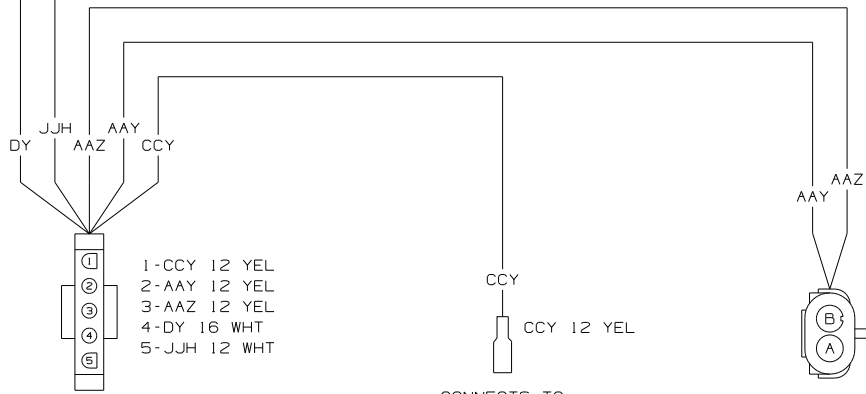
2

2

2

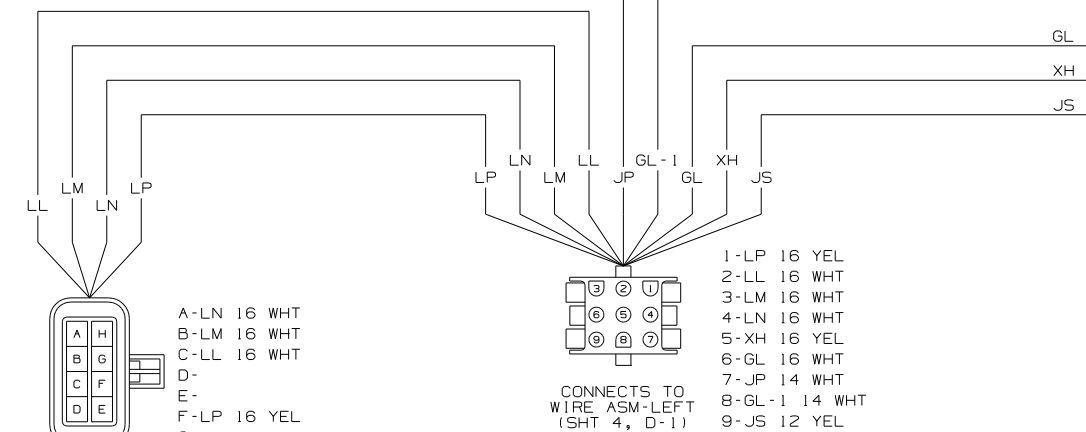
- 7 CIRCUITS ARE FROM WIRE ASM-CHASSIS.
- 6 CIRCUIT IS NOT USED.
- 5 SEE WIRING DIAGRAM-AUTO FOR ADDITIONAL INFORMATION.
- 4 SEE MANUFACTURERS DIAGRAM FOR ADDITIONAL INFORMATION.
- 3 GROUNDS ARE SHOWN AS A SINGLE LINE FOR EASE IN TRACING. EACH GROUND CIRCUIT IS SEPERATE IN THE HARNESS.
- 2 NOT A SPLICE POINT. INDICATES ENTRY INTO WIRING HARNESS.

1. SPLICES ARE THEORETICAL AND MAY DIFFER IN THE HARNESS.



CONNECTS TO CIRCUIT BREAKER SLIDEOUT (SHT 1, D-5) (LOCATED IN CHASSIS BREAKER PANEL)

CONNECTS TO FRONT SLIDEOUT ROOM

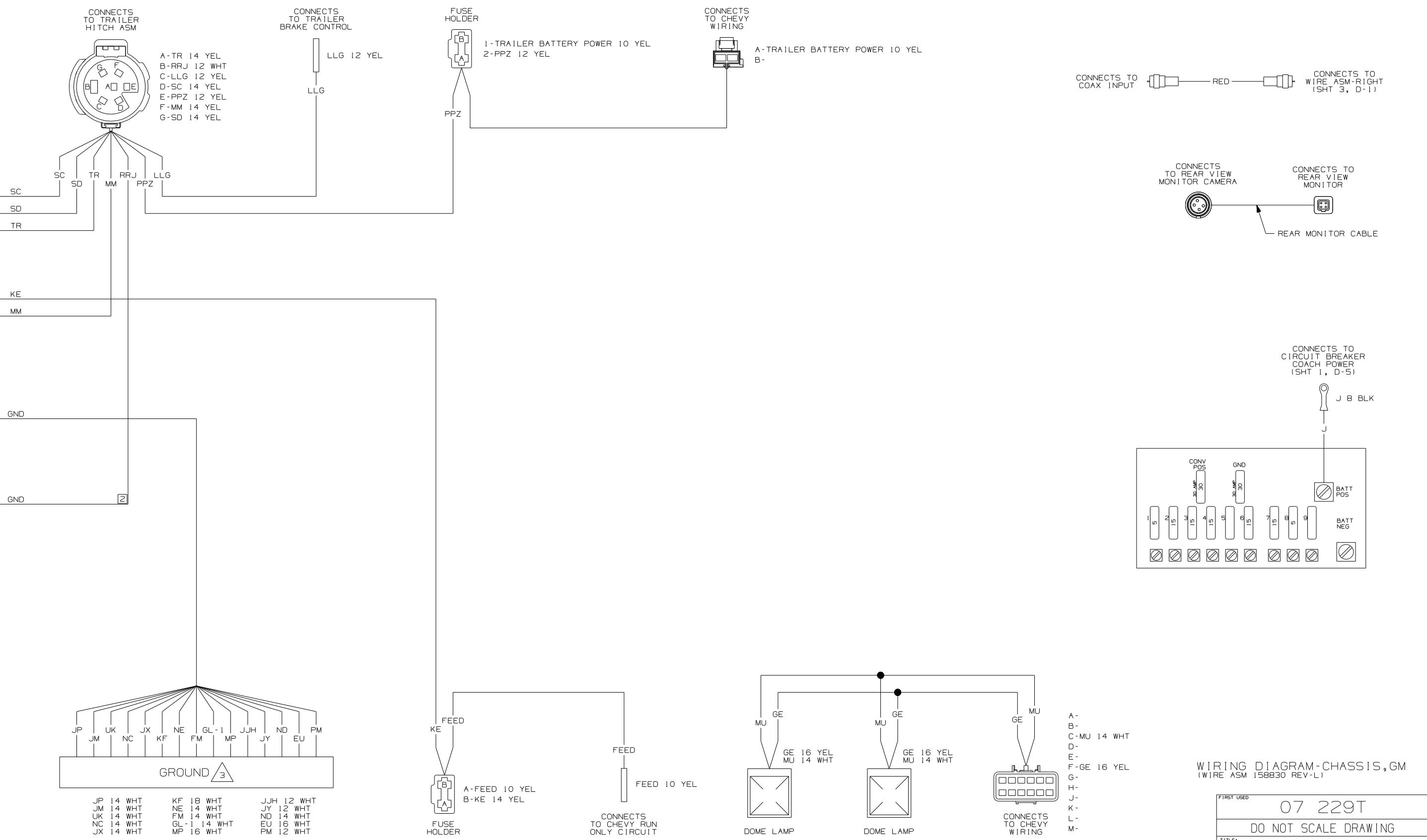


CONNECTS TO GENERATOR

CONNECTS TO WIRE ASM-LEFT (SHT 4, D-1) (LOCATED UNDER GALLEY CABT)

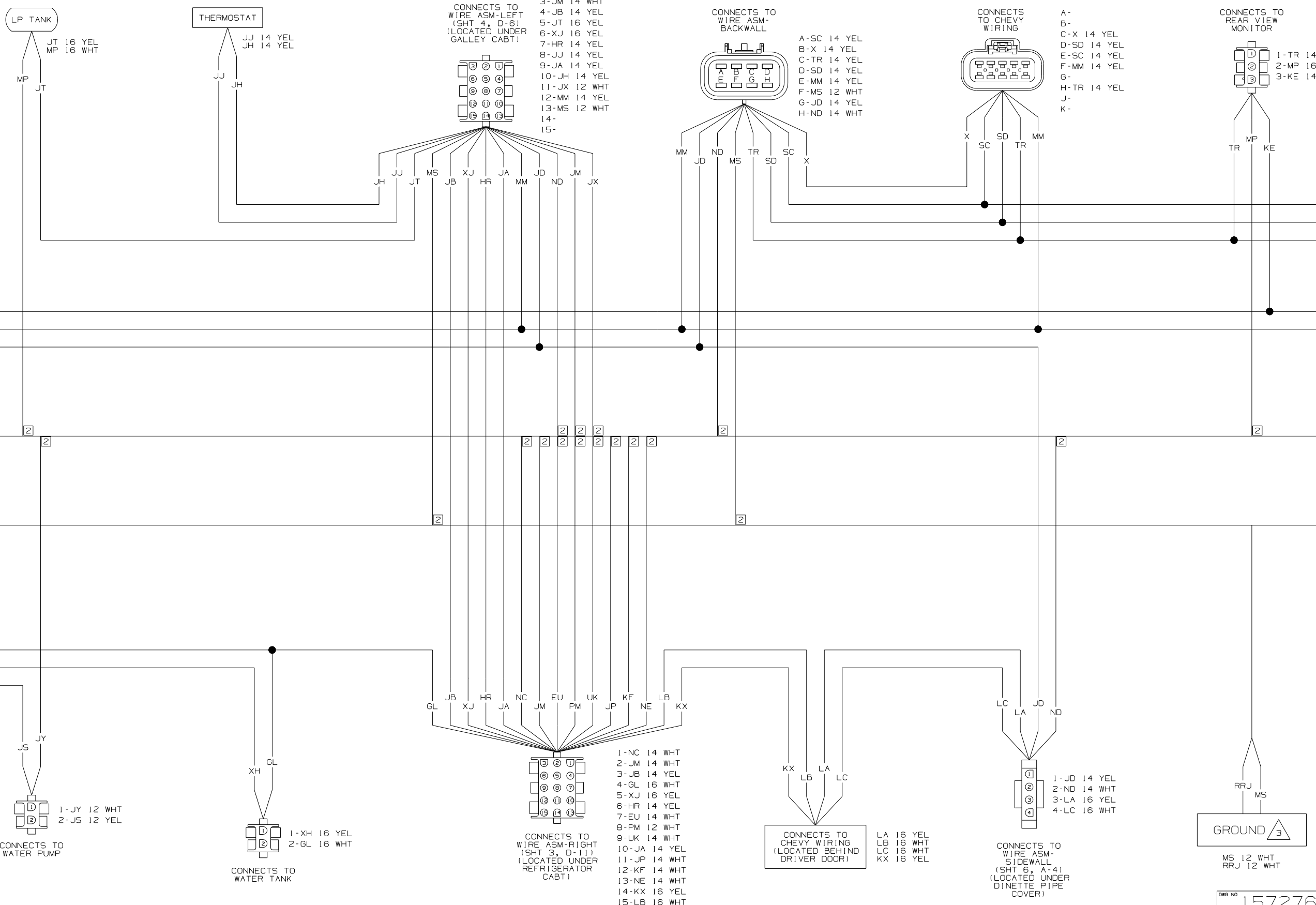
- 1-LP 16 YEL
- 2-LL 16 WHT
- 3-LM 16 WHT
- 4-LN 16 WHT
- 5-XH 16 YEL
- 6-GL 16 WHT
- 7-JP 14 WHT
- 8-GL-1 14 WHT
- 9-JS 12 YEL

NOTES:



WIRING DIAGRAM-CHASSIS,GM (WIRE ASM 158830 REV-L)

| | | |
|----------------------|--------------------------|--------|
| FIRST USED | 07 229T | |
| DO NOT SCALE DRAWING | | |
| TITLE | WIRING DIAGRAM-BODY, 12V | |
| SHEET 2 | PART NO | 157276 |
| F1 | REV | |



CONNECTS TO EMERGENCY BRAKE SWITCH

CONNECTS TO CHEVY DASH WIRING

CONNECTS TO WIRE ASM-RIGHT (SHT 3, A-14) (LOCATED UNDER REFRIGERATOR CABT)

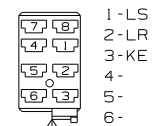
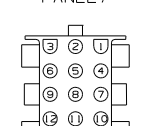
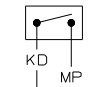
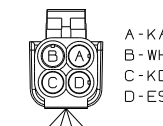
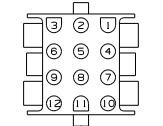
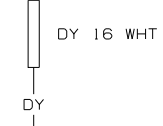
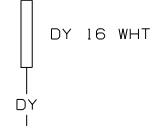
CONNECTS TO WIRE ASM-ELECTRIC STEP

STEP DOOR SWITCH

CONNECTS TO WIRE ASM-ELECTRICAL BOX (SHT 1, A-5) (LOCATED IN CHASSIS BREAKER PANEL)

CONNECTS TO BATTERY CHANGEOVER SWITCH

CONNECTS TO ELECTRIC MIRROR

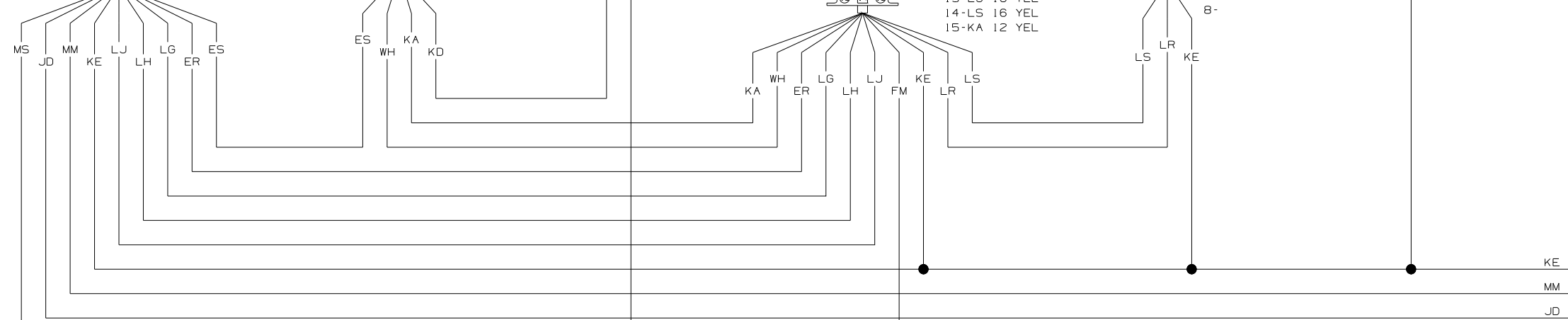


- 1-LJ 16 YEL
- 2-ER 16 YEL
- 3-ES 16 YEL
- 4-MM 14 YEL
- 5-MS 12 WHT
- 6-KE 14 YEL
- 7-
- 8-
- 9-JD 14 YEL
- 10-LG 16 YEL
- 11-LH 16 YEL
- 12-

- A-KA 12 YEL
- B-WH 14 YEL
- C-KD 18 WHT
- D-ES 16 YEL

- 1-
- 2-
- 3-ER 16 YEL
- 4-
- 5-LG 16 YEL
- 6-FM 14 WHT
- 7-LR 14 YEL
- 8-
- 9-WH 14 YEL
- 10-KE 14 YEL
- 11-LH 16 YEL
- 12-
- 13-LJ 16 YEL
- 14-LS 16 YEL
- 15-KA 12 YEL

- 1-LS 16 YEL
- 2-LR 14 YEL
- 3-KE 14 YEL
- 4-
- 5-
- 6-
- 7-
- 8-



2

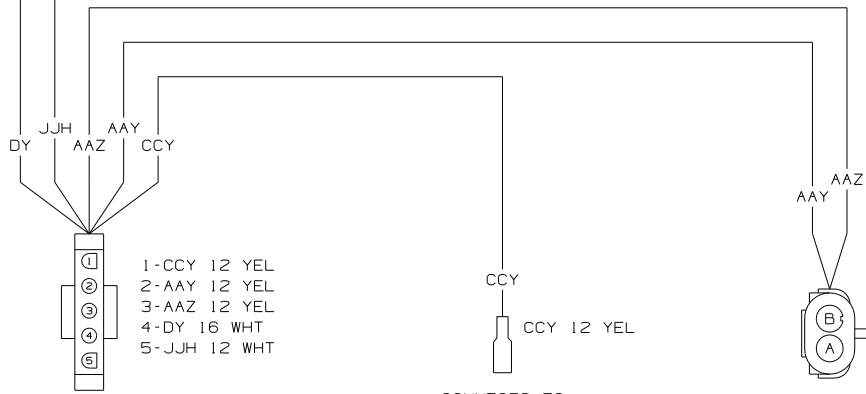
2

2

2

2

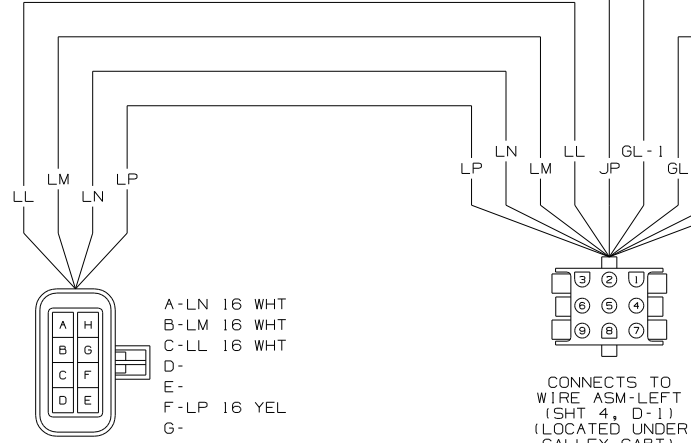
- NOTES:
- 5 SEE WIRING DIAGRAM-AUTO FOR ADDITIONAL INFORMATION.
 - 4 SEE MANUFACTURERS DIAGRAM FOR ADDITIONAL INFORMATION.
 - 3 GROUNDS ARE SHOWN AS A SINGLE LINE FOR EASE IN TRACING. EACH GROUND CIRCUIT IS SEPERATE IN THE HARNESS.
 - 2 NOT A SPLICE POINT. INDICATES ENTRY INTO WIRING HARNESS.
1. SPLICES ARE THEORETICAL AND MAY DIFFER IN THE HARNESS.



CONNECTS TO SLIDEOUT SWITCH

CONNECTS TO CIRCUIT BREAKER SLIDEOUT (SHT 1, D-5) (LOCATED IN CHASSIS BREAKER PANEL)

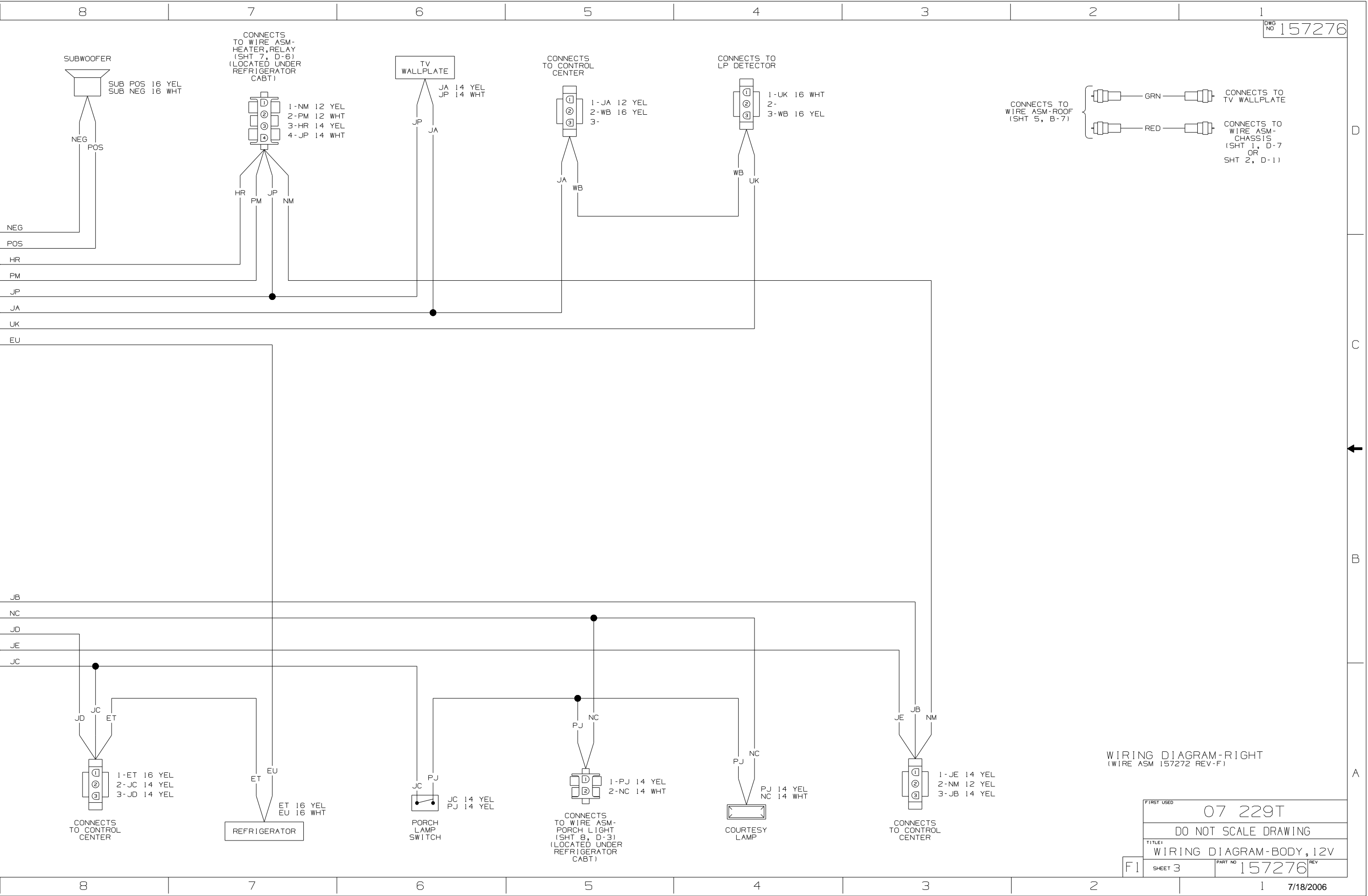
CONNECTS TO FRONT SLIDEOUT ROOM



CONNECTS TO GENERATOR

CONNECTS TO WIRE ASM-LEFT (SHT 4, D-1) (LOCATED UNDER GALLEY CABT)

- 1-LP 16 YEL
- 2-LL 16 WHT
- 3-LM 16 WHT
- 4-LN 16 WHT
- 5-XH 16 YEL
- 6-GL 16 WHT
- 7-JP 14 WHT
- 8-GL-1 14 WHT
- 9-JS 12 YEL



WIRING DIAGRAM-RIGHT
(WIRE ASM 157272 REV-F)

| | | |
|------------|--------------------------|--------|
| FIRST USED | 07 229T | |
| TITLE | DO NOT SCALE DRAWING | |
| | WIRING DIAGRAM-BODY, 12V | |
| SHEET 3 | PART NO | 157276 |
| | REV | |

CONNECTS TO BATTERY DISCONNECT SWITCH

1-LJ 18 YEL
 2-LG 18 YEL
 3-KF 18 WHT
 4-KF 18 WHT
 5-LH 18 YEL
 6-LJ 18 YEL
 7-
 8-

CONNECTS TO WIRE ASM-MAIN HOLDING TANK

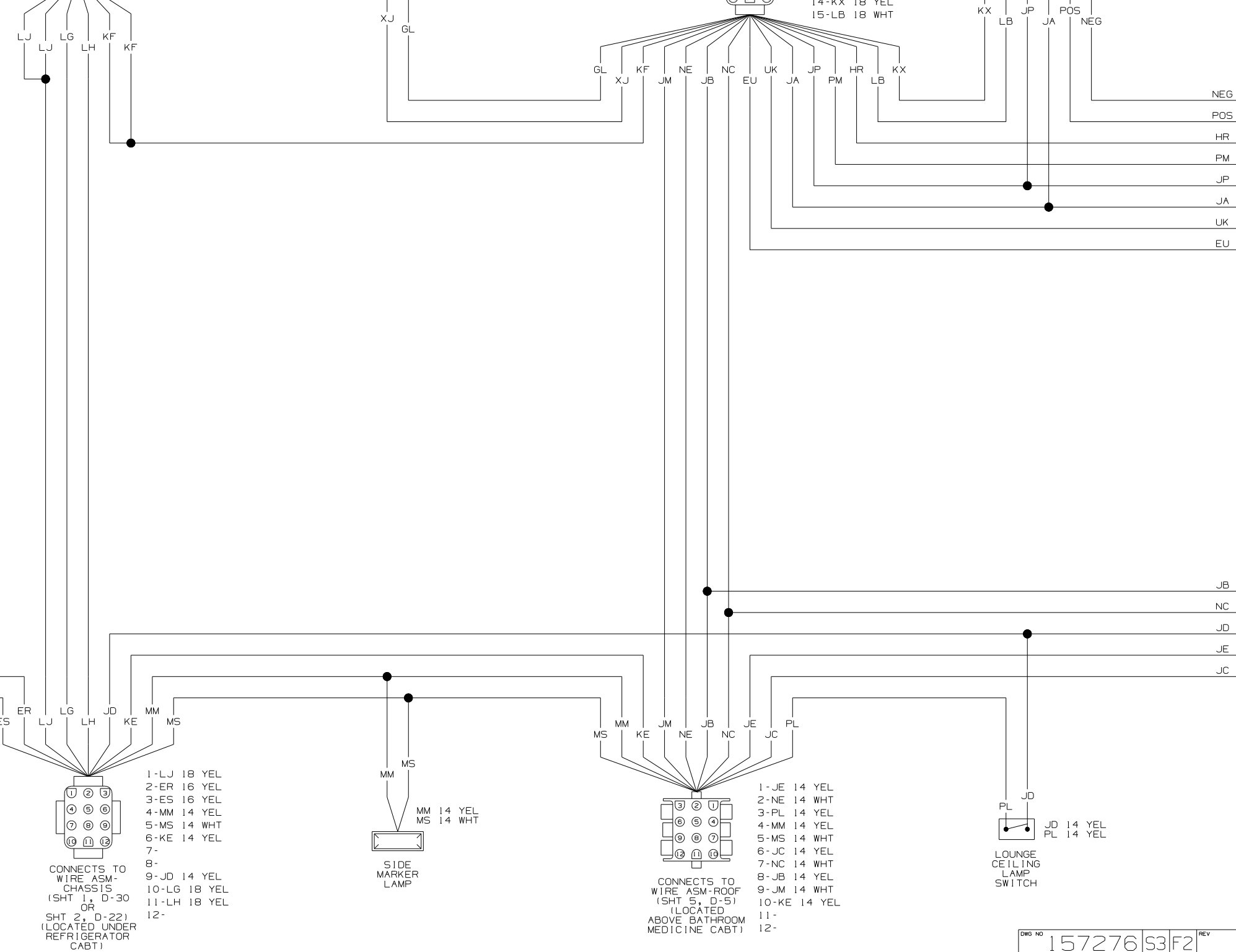
1-XJ 16 YEL
 2-GL 16 WHT

CONNECTS TO WIRE ASM-CHASSIS (SHT 1, A-21 OR SHT 2, A-13) (LOCATED UNDER REFRIGERATOR CABT)

1-NC 14 WHT
 2-JM 14 WHT
 3-JB 14 YEL
 4-GL 16 WHT
 5-XJ 16 YEL
 6-HR 14 YEL
 7-EU 16 WHT
 8-PM 12 WHT
 9-UK 16 WHT
 10-JA 12 YEL
 11-JP 14 WHT
 12-KF 18 WHT
 13-NE 14 WHT
 14-KX 18 YEL
 15-LB 18 WHT

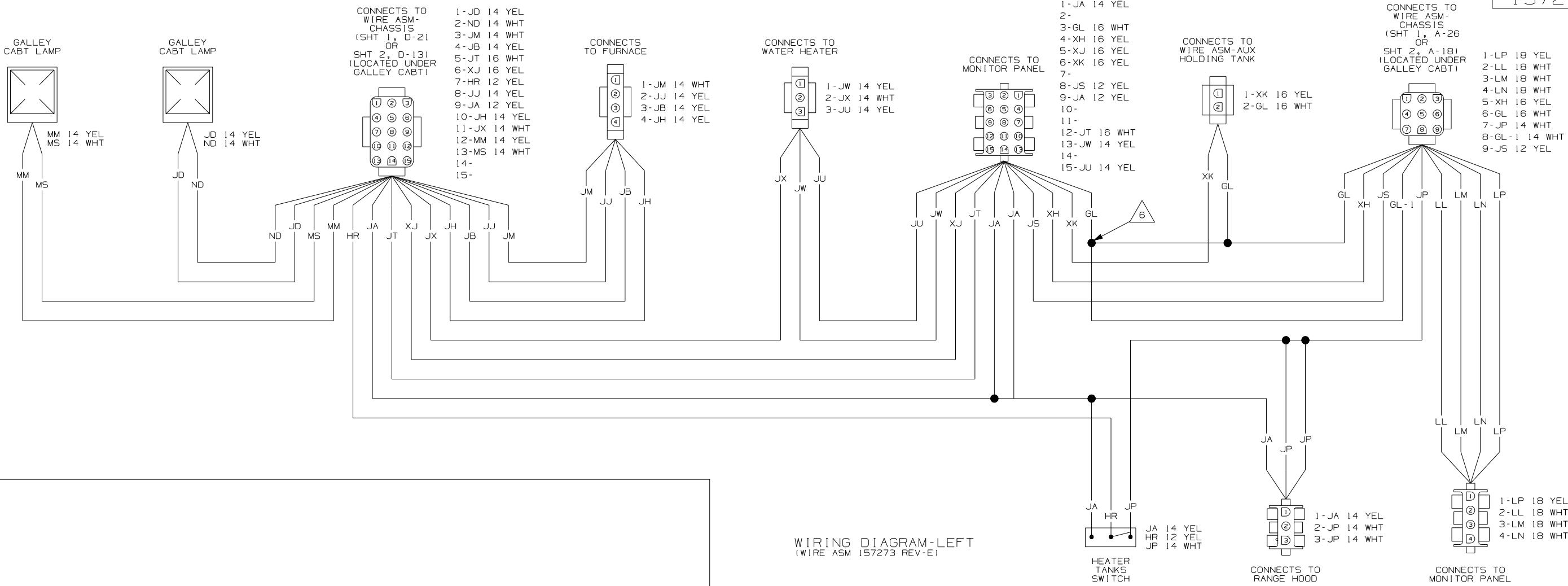
CONNECTS TO WIRE ASM-ROOF (SHT 5, A-4) (LOCATED ABOVE BATHROOM MEDICINE CABT)

1-SUB POS 16 YEL
 2-SUB NEG 16 WHT
 3-JA 14 YEL
 4-JP 14 WHT
 5-KX 18 YEL
 6-LB 18 WHT

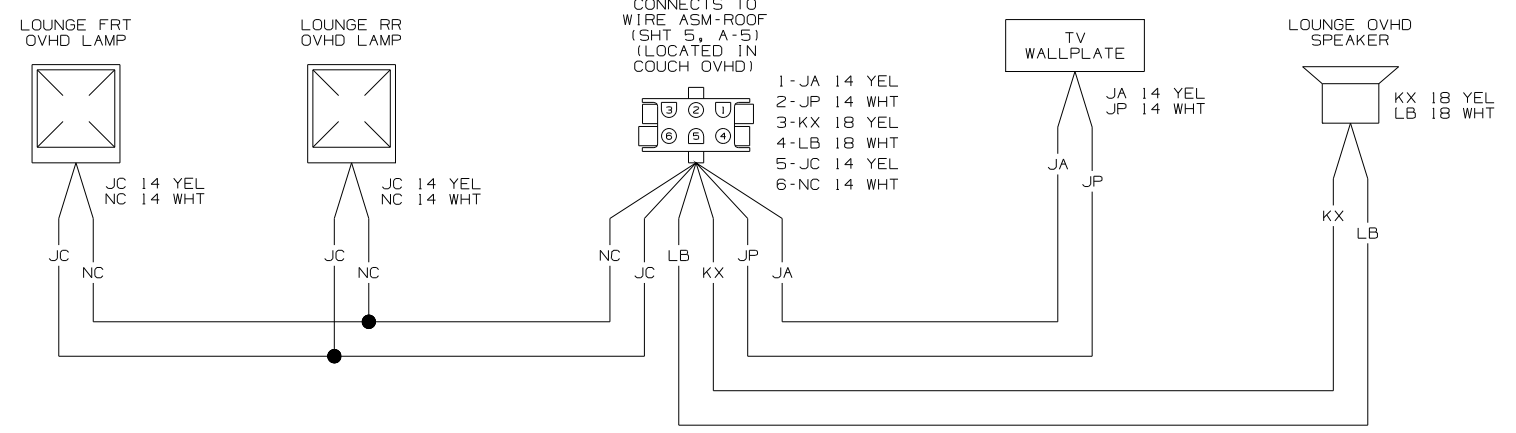


- 5 SEE WIRING DIAGRAM-AUTO FOR ADDITIONAL INFORMATION.
- 4 SEE MANUFACTURERS DIAGRAM FOR ADDITIONAL INFORMATION.
- 3 GROUNDS ARE SHOWN AS A SINGLE LINE FOR EASE IN TRACING. EACH GROUND CIRCUIT IS SEPERATE IN THE HARNESS.
- 2 NOT A SPLICE POINT. INDICATES ENTRY INTO WIRING HARNESS.
1. SPLICES ARE THEORETICAL AND MAY DIFFER IN THE HARNESS.

NOTES:



WIRING DIAGRAM-LEFT
(WIRE ASM 157273 REV-E)



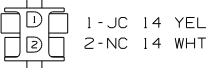
WIRING DIAGRAM-OVHD
(WIRE ASM 159648 REV-A)

- 6 GL AND GL-1 ARE TO BE SPLICED TOGETHER 100MM AWAY FROM MONITOR PANEL HOUSING FOR ISOLATION PURPOSES.
 - 5 SEE WIRING DIAGRAM-AUTO FOR ADDITIONAL INFORMATION.
 - 4 SEE MANUFACTURERS DIAGRAM FOR ADDITIONAL INFORMATION.
 - 3 GROUNDS ARE SHOWN AS A SINGLE LINE FOR EASE IN TRACING. EACH GROUND CIRCUIT IS SEPERATE IN THE HARNESS.
 - 2 NOT A SPLICE POINT. INDICATES ENTRY INTO WIRING HARNESS.
1. SPLICES ARE THEORETICAL AND MAY DIFFER IN THE HARNESS.

NOTES:

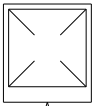
| | | | |
|------------|--------------------------|--------|-----|
| FIRST USED | 07 229T | | |
| TITLE: | DO NOT SCALE DRAWING | | |
| | WIRING DIAGRAM-BODY, 12V | | |
| SHEET 4 | PART NO | 157276 | REV |

CONNECTS TO WIRE ASM-OVHD (SHT 7, A-7) (LOCATED IN BDORM OVHD CABT)



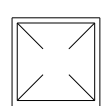
1-JC 14 YEL
2-NC 14 WHT

BATH LAMP



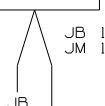
JC 14 YEL
NC 14 WHT

BEDROOM LAMP



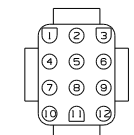
JC 14 YEL
NC 14 WHT

BATH VENT



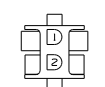
JB 14 YEL
JM 14 WHT

CONNECTS TO WIRE ASM-RIGHT (SHT 3, A-11) (LOCATED ABOVE BATHROOM MEDICINE CABT)



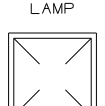
1-JE 14 YEL
2-NE 14 WHT
3-PL 14 YEL
4-MM 14 YEL
5-MS 14 WHT
6-JC 14 YEL
7-NC 14 WHT
8-JB 14 YEL
9-JM 14 WHT
10-KE 14 YEL
11-
12-

CONNECTS TO WIRE ASM-CLEARANCE LAMPS



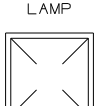
1-MM 14 YEL
2-MS 14 WHT

FRONT GALLEY LAMP



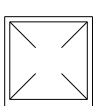
PL 14 YEL
NE 14 WHT

REAR GALLEY LAMP

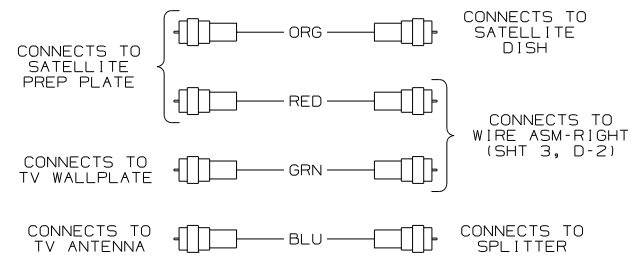


JE 14 YEL
NE 14 WHT

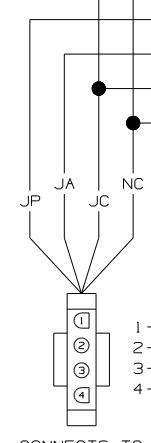
LOUNGE LAMP



JE 14 YEL
NE 14 WHT

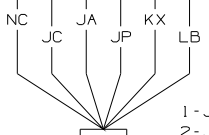


- 5 SEE WIRING DIAGRAM-AUTO FOR ADDITIONAL INFORMATION.
 - 4 SEE MANUFACTURERS DIAGRAM FOR ADDITIONAL INFORMATION.
 - 3 GROUNDS ARE SHOWN AS A SINGLE LINE FOR EASE IN TRACING. EACH GROUND CIRCUIT IS SEPERATE IN THE HARNESS.
 - 2 NOT A SPLICE POINT. INDICATES ENTRY INTO WIRING HARNESS.
- NOTES:
- SPLICES ARE THEORETICAL AND MAY DIFFER IN THE HARNESS.



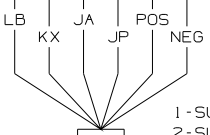
CONNECTS TO WIRE ASM-OVHD, TV (SHT 8, C-7) OR (SHT 8, D-7) (LOCATED IN SIDE TV CABT)

1-JA 14 YEL
2-JP 14 WHT
3-JC 14 YEL
4-NC 14 WHT



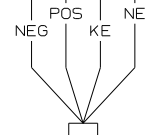
CONNECTS TO WIRE ASM-OVHD, TV (SHT 4, B-3) OR (SHT 6, C-2) (LOCATED IN COUCH OVHD CABT)

1-JA 14 YEL
2-JP 14 WHT
3-KX 16 YEL
4-LB 16 WHT
5-JC 14 YEL
6-NC 14 WHT



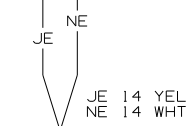
CONNECTS TO WIRE ASM-RIGHT (SHT 3, D-9) (LOCATED ABOVE BATHROOM MEDICINE CABT)

1-SUB POS 16 YEL
2-SUB NEG 16 WHT
3-JA 14 YEL
4-JP 14 WHT
5-KX 16 YEL
6-LB 16 WHT



CONNECTS TO WIRE ASM-RIGHT (SHT 6, C-7) (LOCATED IN COUCH OVHD CABT)

1-SUB POS 16 YEL
2-SUB NEG 16 WHT
3-KE 14 YEL
4-NE 14 WHT

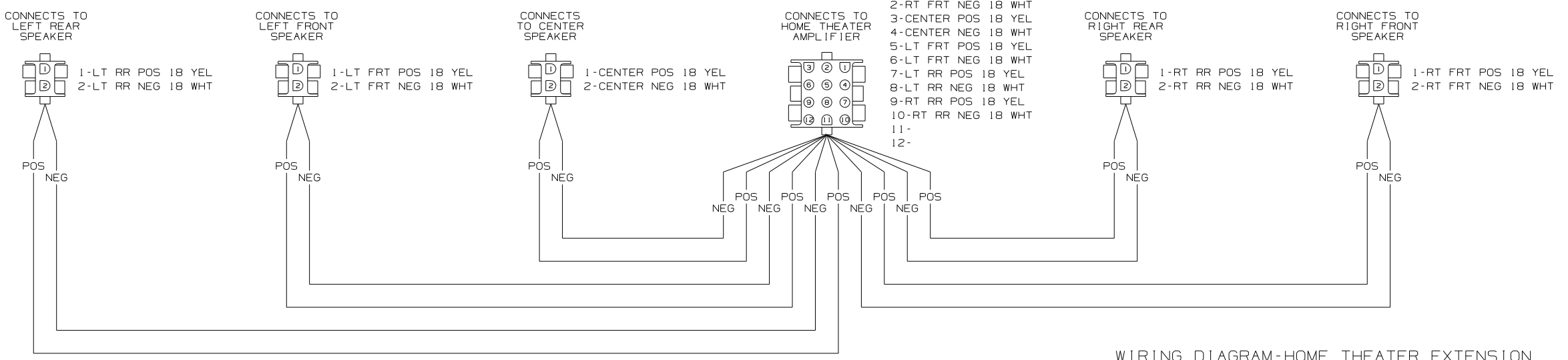


BUNK LAMP

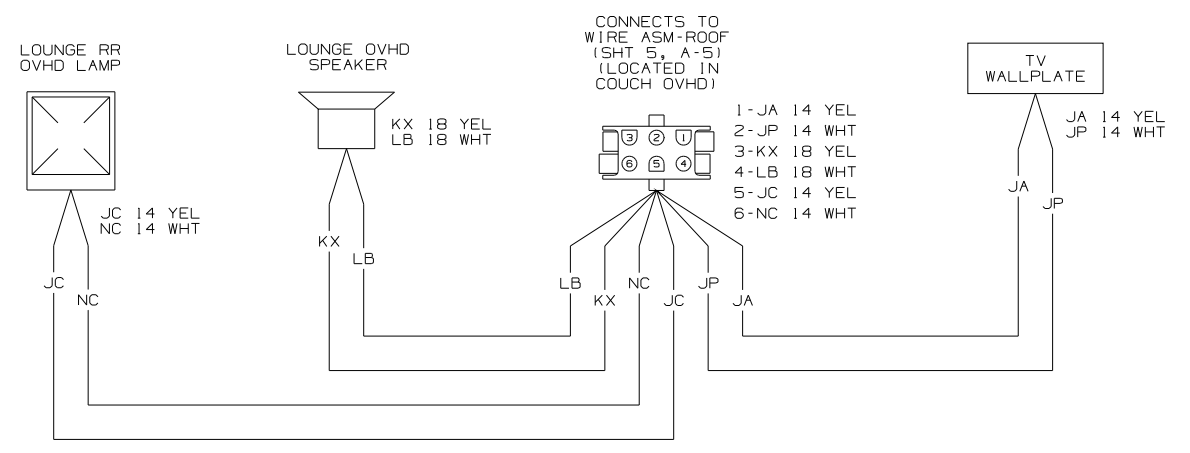
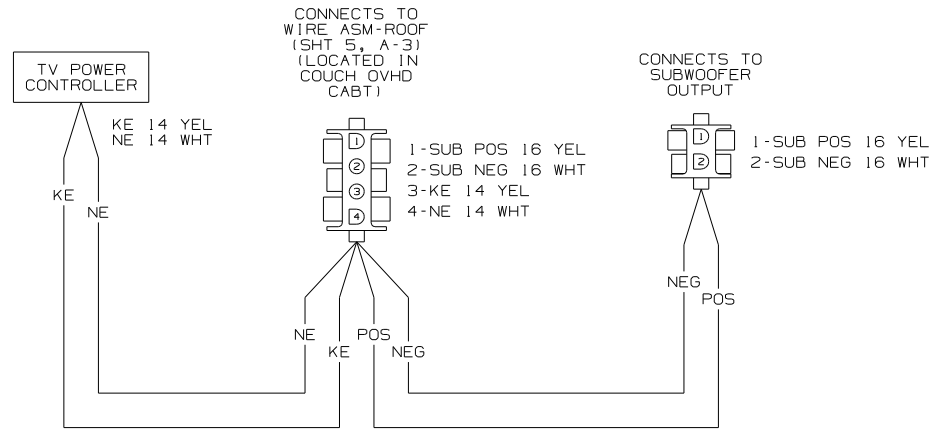
JE 14 YEL
NE 14 WHT

WIRING DIAGRAM-ROOF (WIRE ASM 157274 REV-C)

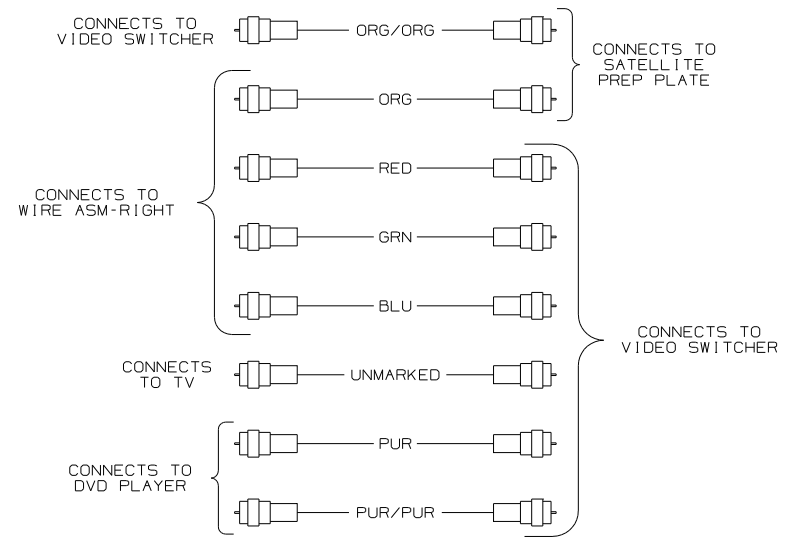
| | |
|---------------------------------|--------------------|
| FIRST USED | 07 229T |
| DO NOT SCALE DRAWING | |
| TITLE: WIRING DIAGRAM-BODY, 12V | |
| SHEET 5 | PART NO 157276 REV |



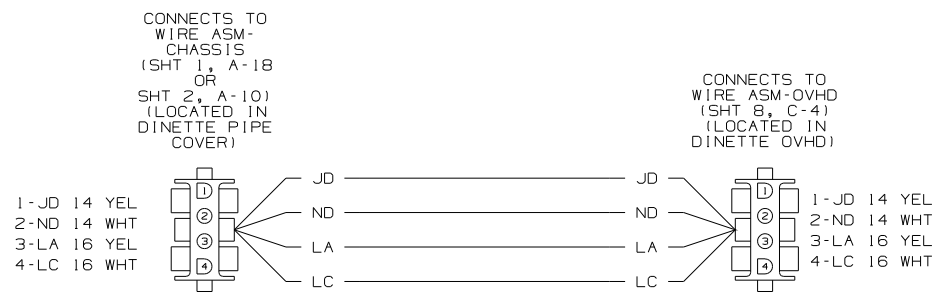
WIRING DIAGRAM-HOME THEATER EXTENSION
(WIRE ASM 158951-04 REV-A)



WIRING DIAGRAM-OVHD
(WIRE ASM 158725 REV-D)



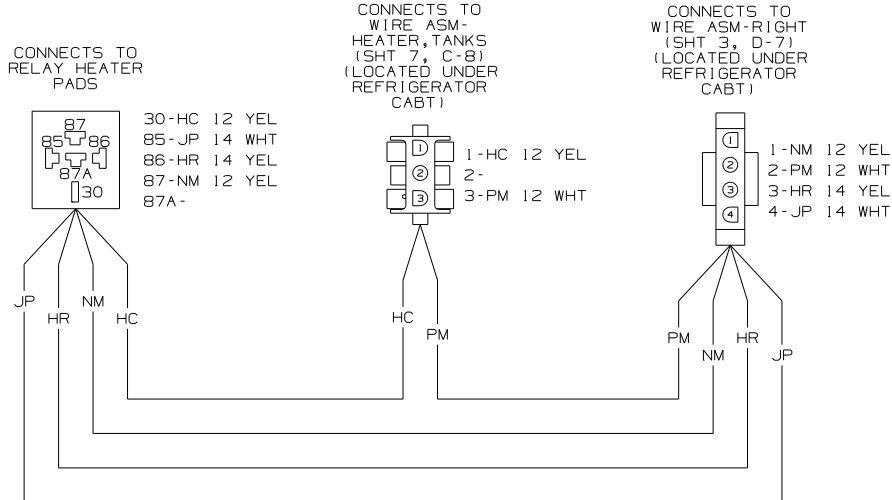
WIRING DIAGRAM-TV, FRONT
(WIRE ASM 157163 REV-C)



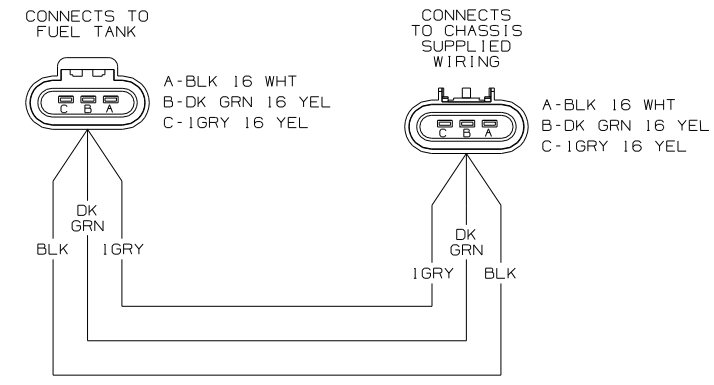
WIRING DIAGRAM-SIDEWALL
(WIRE ASM 137898-01 REV-C)

- NOTES:
- 5 SEE WIRING DIAGRAM-AUTO FOR ADDITIONAL INFORMATION.
 - 4 SEE MANUFACTURERS DIAGRAM FOR ADDITIONAL INFORMATION.
 - 3 GROUNDS ARE SHOWN AS A SINGLE LINE FOR EASE IN TRACING. EACH GROUND CIRCUIT IS SEPERATE IN THE HARNESS.
 - 2 NOT A SPLICE POINT. INDICATES ENTRY INTO WIRING HARNESS.
 - 1. SPLICES ARE THEORETICAL AND MAY DIFFER IN THE HARNESS.

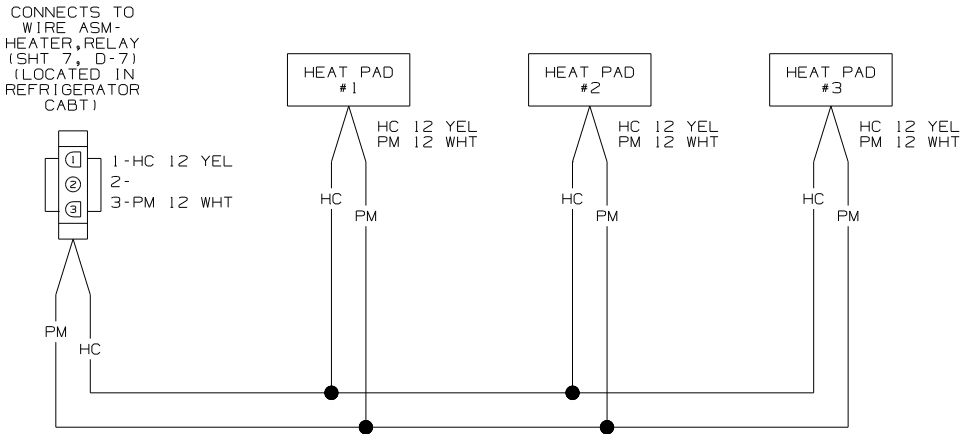
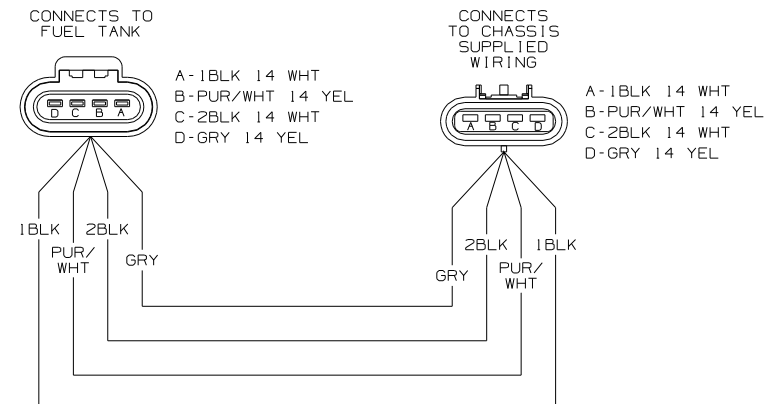
| | | |
|------------|--------------------------|--------|
| FIRST USED | 07 229T | |
| TITLE: | DO NOT SCALE DRAWING | |
| | WIRING DIAGRAM-BODY, 12V | |
| SHEET 6 | PART NO | 157276 |
| | REV | |



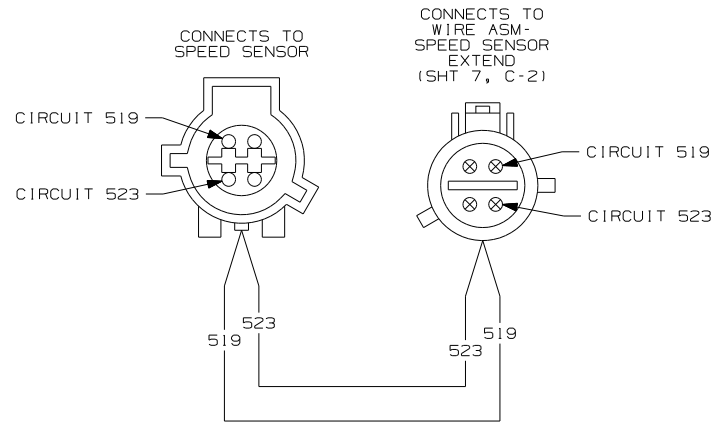
WIRING DIAGRAM-HEATER, RELAY
(WIRE ASM 153891 REV-A)



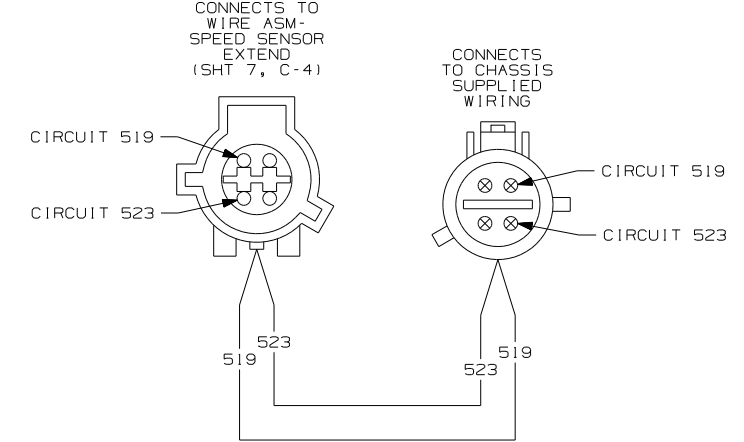
WIRING DIAGRAM-FUEL TANK EXTENSION
(WIRE ASM 155949-02 REV-D)



WIRING DIAGRAM-HEATER, TANKS
(WIRE ASM 134551-12 REV-J)

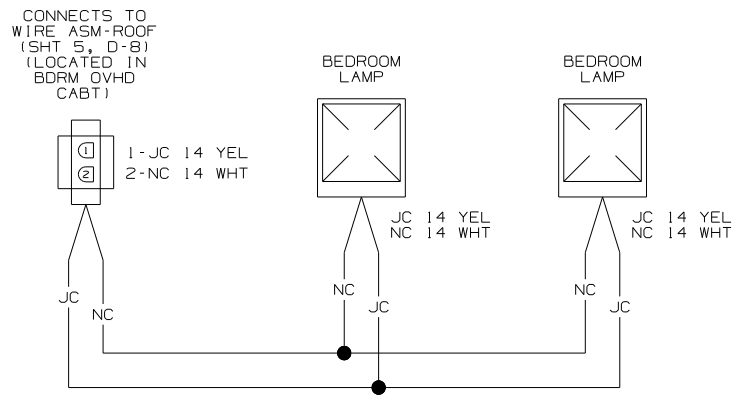


WIRING DIAGRAM-SPEED SENSOR EXTEND
(WIRE ASM 116894 REV-A)

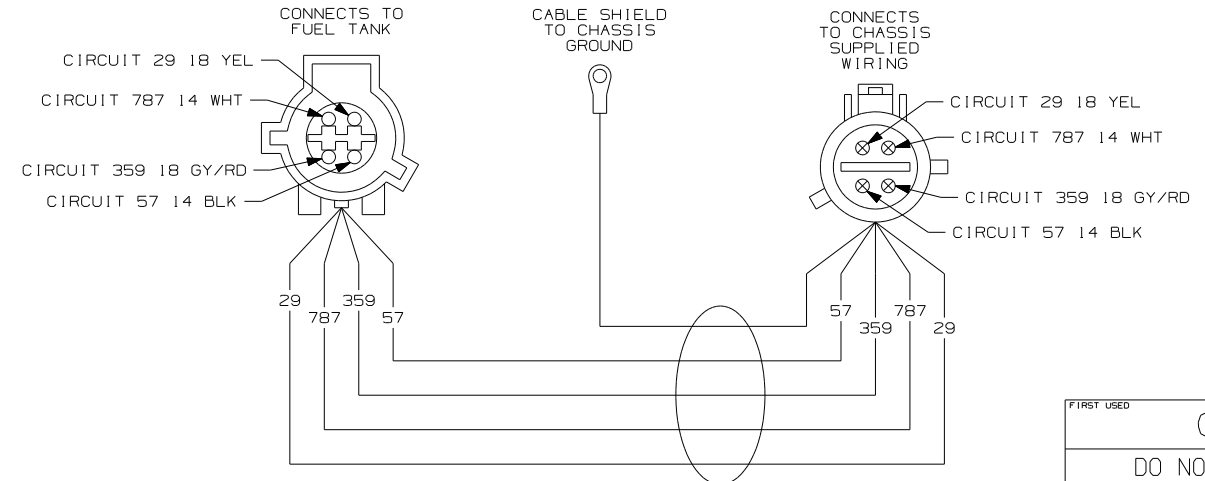


WIRING DIAGRAM-SPEED SENSOR EXTEND
(WIRE ASM 116894 REV-A)

- NOTES:
- 5 SEE WIRING DIAGRAM-AUTO FOR ADDITIONAL INFORMATION.
 - 4 SEE MANUFACTURERS DIAGRAM FOR ADDITIONAL INFORMATION.
 - 3 GROUNDS ARE SHOWN AS A SINGLE LINE FOR EASE IN TRACING. EACH GROUND CIRCUIT IS SEPERATE IN THE HARNESS.
 - 2 NOT A SPLICE POINT. INDICATES ENTRY INTO WIRING HARNESS.
 - 1. SPLICES ARE THEORETICAL AND MAY DIFFER IN THE HARNESS.

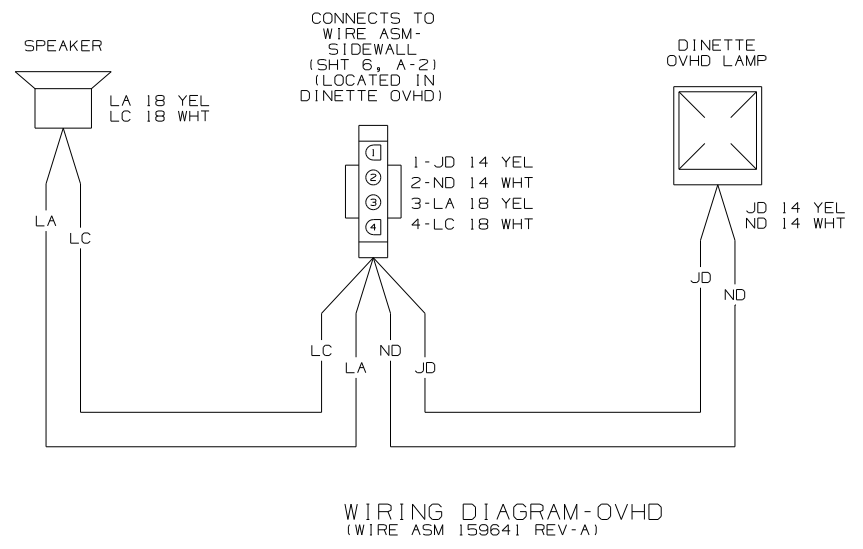
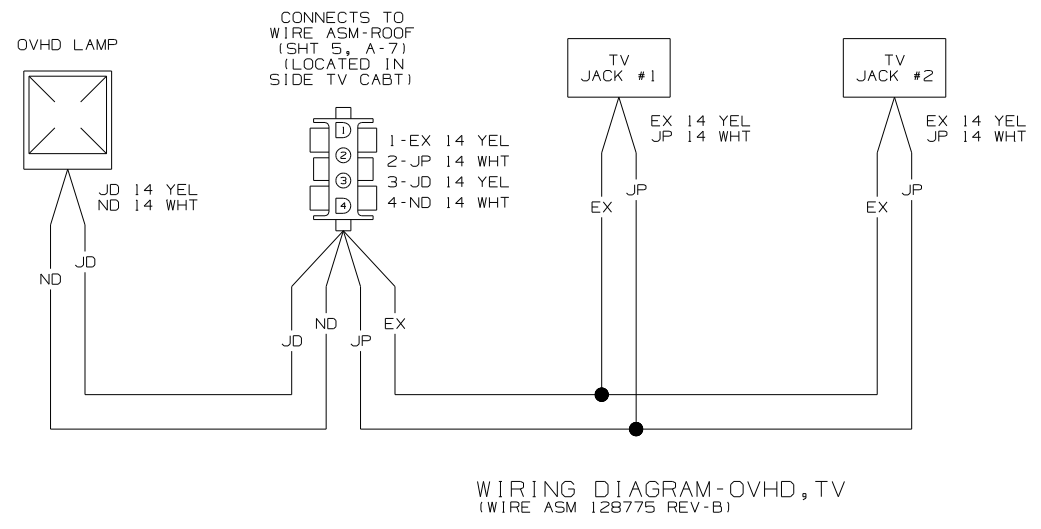
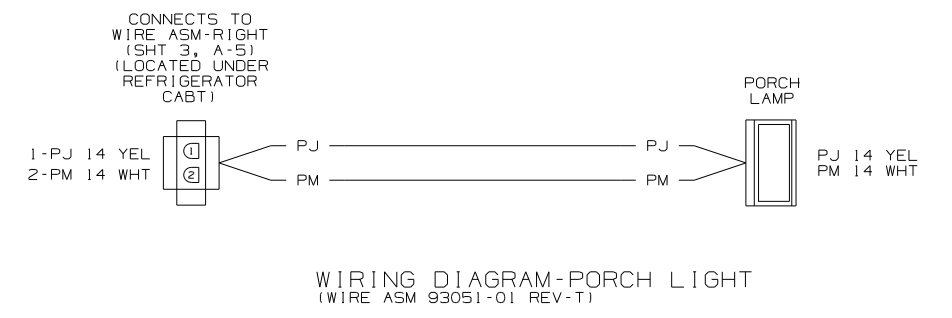
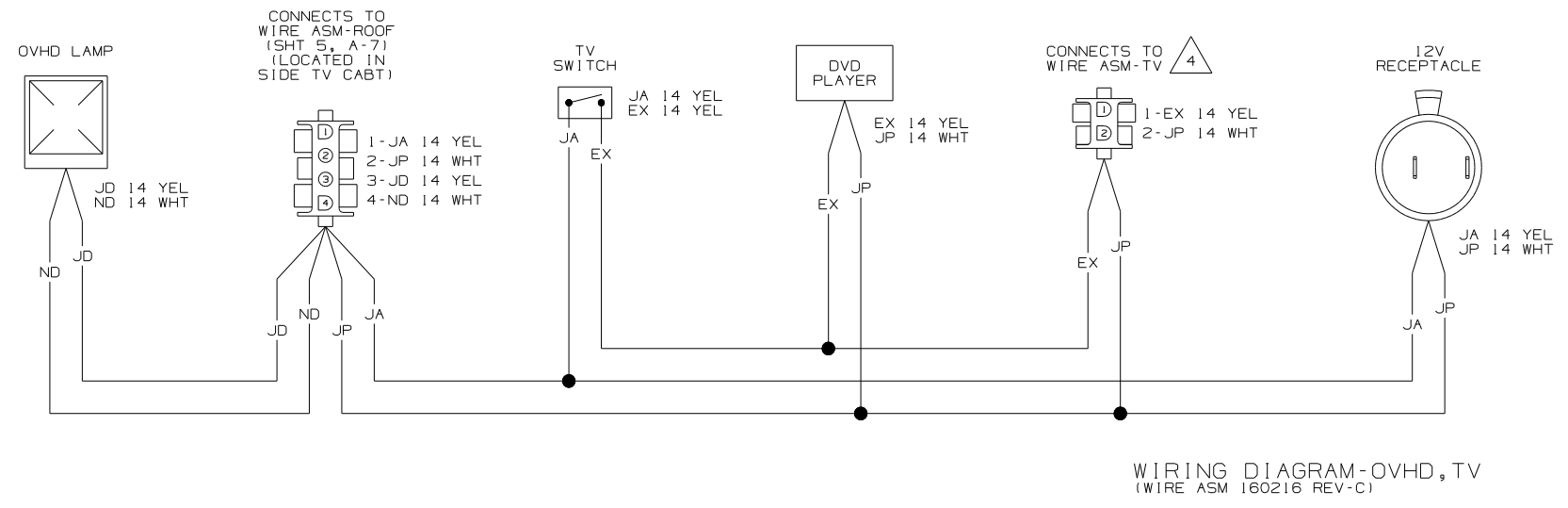


WIRING DIAGRAM-OVHD
(WIRE ASM 122279-05 REV-L)



WIRING DIAGRAM-FUEL TANK EXTENSION
(WIRE ASM 149421 REV-C)

| | | |
|------------|--------------------------|--------|
| FIRST USED | 07 229T | |
| TITLE | DO NOT SCALE DRAWING | |
| | WIRING DIAGRAM-BODY, 12V | |
| SHEET 7 | PART NO | 157276 |
| | REV | |



- 5 SEE WIRING DIAGRAM-AUTO FOR ADDITIONAL INFORMATION.
 - 4 SEE MANUFACTURERS DIAGRAM FOR ADDITIONAL INFORMATION.
 - 3 GROUNDS ARE SHOWN AS A SINGLE LINE FOR EASE IN TRACING. EACH GROUND CIRCUIT IS SEPERATE IN THE HARNESS.
 - 2 NOT A SPLICE POINT. INDICATES ENTRY INTO WIRING HARNESS.
1. SPLICES ARE THEORETICAL AND MAY DIFFER IN THE HARNESS.

NOTES:

| | | | |
|------------|--------------------------|--------|-----|
| FIRST USED | 07 229T | | |
| TITLE | DO NOT SCALE DRAWING | | |
| TITLE | WIRING DIAGRAM-BODY, 12V | | |
| SHEET 8 | PART NO | 157276 | REV |

8

7

6

5

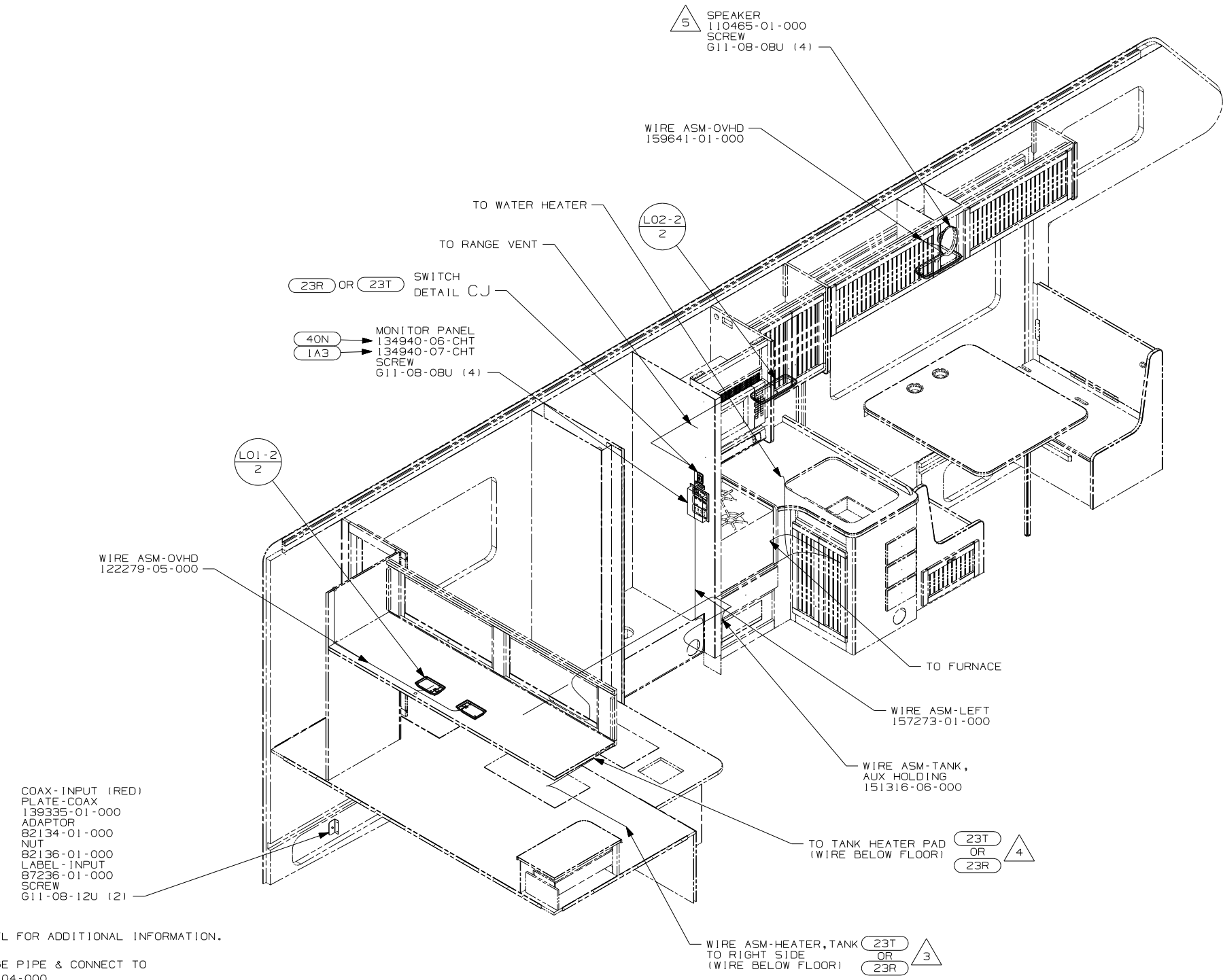
4

3

2

1

| | | |
|----------|-----------------|------------------|
| RELEASE | REV DATE A | DWG NO 157269 |
| REV ZONE | REVISION RECORD | DATE DFR-0R16 |



- 23R DRAINAGE SYSTEM/HEAT-PREP
- 23T DRAINAGE SYSTEM-HEATED
- 40N GEN-4.0KW-ONAN-GAS-MICROLITE
- 1A3 GENERATOR WITHOUT
- 265 CODES/STANDARDS-CSA/CMVSS
- 1B1 CODES/STANDARDS USA

1B1 265

WINNEBAGO COPYRIGHT 2006 WINNEBAGO INDUSTRIES, INC.

| | |
|------|-----------------------------------|
| DFTR | ORIG. DATE |
| CHKR | ALL DIMENSIONS ARE IN MILLIMETERS |
| P.E. | FIRST USED |
| M.E. | 07 229T |
| DSNR | |

UNSPECIFIED TOLERANCES ARE: MATERIAL:

| | |
|------------------|--------|
| WHOLE DIM (X) | : 3 |
| ONE-PLACE (X.X) | : 1.5 |
| TWO-PLACE (X.XX) | : 0.50 |
| ANGLE | : 1° |

THIRD ANGLE PROJECTION

DO NOT SCALE DRAWING

TITLE: WIRING INSTL-BODY, 12V

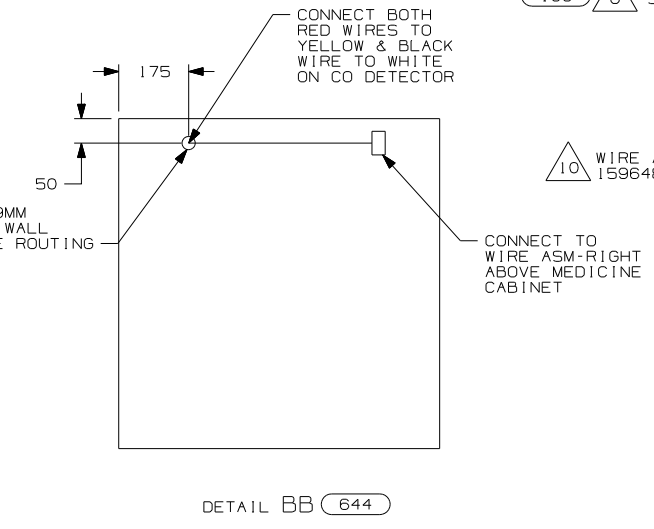
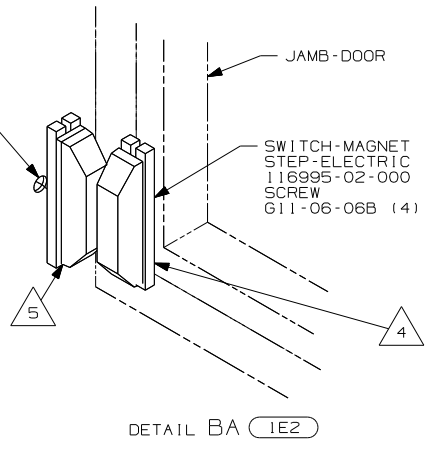
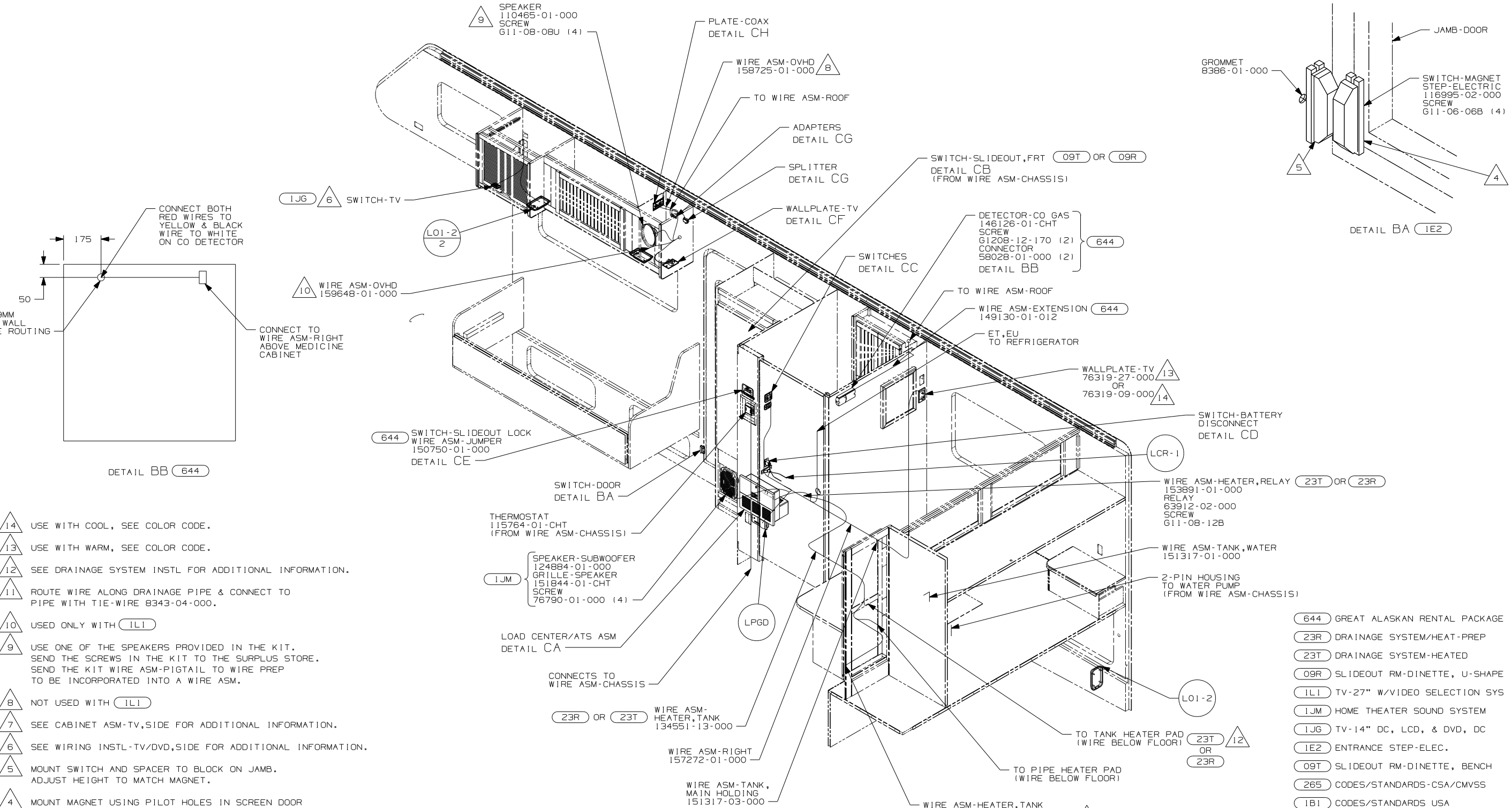
SHEET 1 OF 4 PART NO 157269 REV

- 4 SEE DRAINAGE SYSTEM INSTL FOR ADDITIONAL INFORMATION.
- 3 ROUTE WIRE ALONG DRAINAGE PIPE & CONNECT TO PIPE WITH TIE-WIRE 8343-04-000.
2. ROUTE TANK SENSOR WIRES SO THEY DO NOT PASSOVER SENSORS. USE WIRE TIE MOUNT 155366-01-000 AND WIRE TIE 8343-01-000 AS NEEDED. TANK SURFACE MUST BE CLEANED USING ISOPROPYL ALCOHOL AND PRIME WITH PRIMER 94.
1. ALL WIRES TO BE SECURED WITH CLAMP 10495-01-000 OR CLIP 80734-01-000 EVERY 600MM. USE SCREW 667-10-12B UNLESS OTHERWISE SPECIFIED.

5 USE ONE OF THE SPEAKERS PROVIDED IN THE KIT. SEND THE SCREWS IN THE KIT TO THE SURPLUS STORE. SEND THE KIT WIRE ASM-PJGTAIL TO WIRE PREP TO BE INCORPORATED INTO A WIRE ASM.

FOR ELECTRICAL TORQUE SPECIFICATIONS SEE DWG NO. 128783-01-000

X-X FOR ELECTRICAL CALLOUTS SEE DWG NO. 121339-01-000



- 14 USE WITH COOL, SEE COLOR CODE.
 - 13 USE WITH WARM, SEE COLOR CODE.
 - 12 SEE DRAINAGE SYSTEM INSTL FOR ADDITIONAL INFORMATION.
 - 11 ROUTE WIRE ALONG DRAINAGE PIPE & CONNECT TO PIPE WITH TIE-WIRE 8343-04-000.
 - 10 USED ONLY WITH (1LI)
 - 9 USE ONE OF THE SPEAKERS PROVIDED IN THE KIT. SEND THE SCREWS IN THE KIT TO THE SURPLUS STORE. SEND THE KIT WIRE ASM-PIGTAIL TO WIRE PREP TO BE INCORPORATED INTO A WIRE ASM.
 - 8 NOT USED WITH (1LI)
 - 7 SEE CABINET ASM-TV,SIDE FOR ADDITIONAL INFORMATION.
 - 6 SEE WIRING INSTL-TV/DVD,SIDE FOR ADDITIONAL INFORMATION.
 - 5 MOUNT SWITCH AND SPACER TO BLOCK ON JAMB. ADJUST HEIGHT TO MATCH MAGNET.
 - 4 MOUNT MAGNET USING PILOT HOLES IN SCREEN DOOR FRAME. MOUNT WITH MAGNET TOWARD SWITCH.
 - 3 WIRE ROUTED IN SIDEWALL.
2. SEE WIRING INSTL-TV/DVD,FRONT FOR ADDITIONAL INFORMATION.
 1. ALL WIRES TO BE SECURED WITH CLAMP 10495-01-000 OR CLIP 80734-01-000 EVERY 600MM. USE SCREW 667-10-12B UNLESS OTHERWISE SPECIFIED.

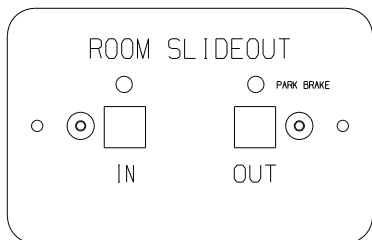
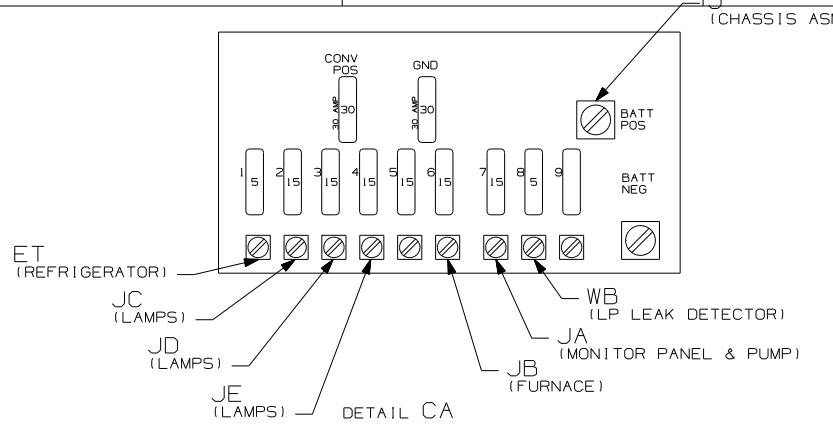
- (644) GREAT ALASKAN RENTAL PACKAGE
- (23R) DRAINAGE SYSTEM/HEAT-PREP
- (23T) DRAINAGE SYSTEM-HEATED
- (09R) SLIDEOUT RM-DINETTE, U-SHAPE
- (1LI) TV-27" W/VIDEO SELECTION SYS
- (IJM) HOME THEATER SOUND SYSTEM
- (IJG) TV-14" DC, LCD, & DVD, DC
- (1E2) ENTRANCE STEP-ELEC.
- (09T) SLIDEOUT RM-DINETTE, BENCH
- (265) CODES/STANDARDS-CSA/CMVSS
- (1B1) CODES/STANDARDS USA

NOTES:

FOR ELECTRICAL TORQUE SPECIFICATIONS SEE DWG NO. 128783-01-000

(X-X) FOR ELECTRICAL CALLOUTS SEE DWG NO. 121339-01-000

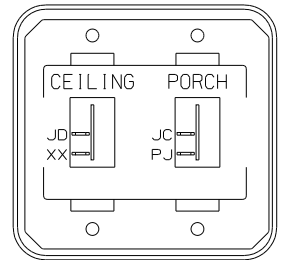
| | |
|------------|------------------------|
| FIRST USED | 07 229T |
| TITLE: | DO NOT SCALE DRAWING |
| | WIRING INSTL-BODY, 12V |
| SHEET 2 | PART NO 157269 REV |



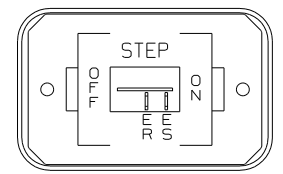
SWITCH ASM-SLIDEOUT
140464-02-000
LABEL-WARNING
116549-01-000

WARNING UNDERSTAND OPERATOR'S MANUAL BEFORE USING
KEEP PEOPLE AND OBSTRUCTIONS CLEAR OF
SLIDEOUT ROOM WHEN OPERATING TO AVOID
INJURY AND/OR PROPERTY DAMAGE

DETAIL CB 09R 09T

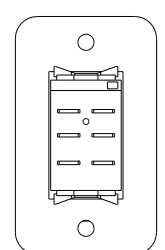


SWITCH-ROCKER
135740-01-CHT (2)
SWITCH-BASE
135741-02-CHT
SWITCH-BEZEL
135742-19-CHT
SCREW
611-08-08U (4)



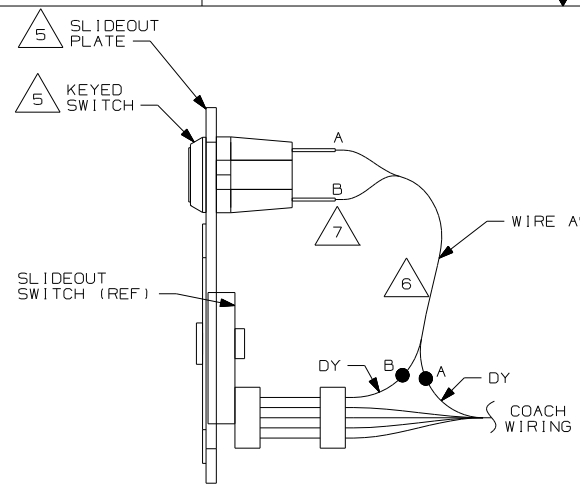
SWITCH-ROCKER
135740-01-CHT
SWITCH-BASE
135741-01-CHT
SWITCH-BEZEL
135742-11-CHT
SCREW
611-08-08U (2)

DETAIL CC

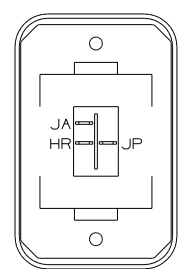


SWITCH-BATTERY, DISC
108357-06-000
ACTUATOR-SWITCH
108356-11-CHT
PLATE-SWITCH
98351-07-CHT
SCREW
611-06-10U (2)

DETAIL CD



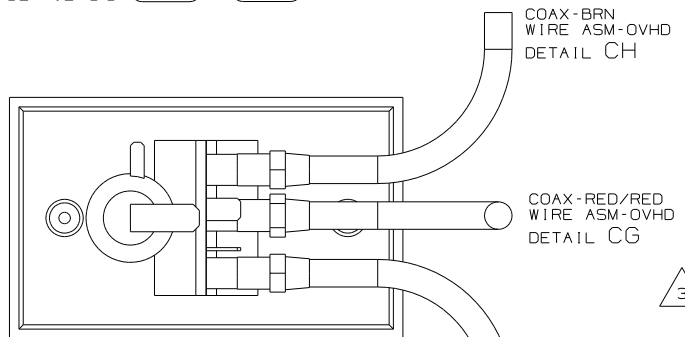
DETAIL CE 644



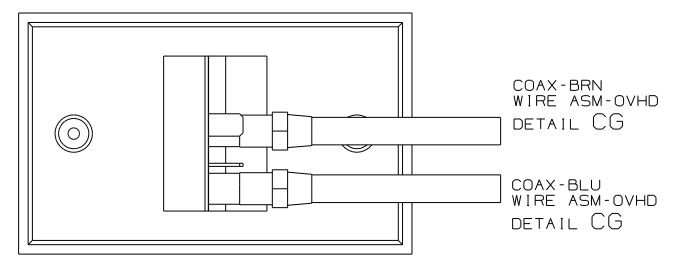
SWITCH-ROCKER
135740-06-CHT
SWITCH-BASE
135741-01-CHT
SWITCH-BEZEL
135742-01-CHT
SCREW
611-08-08U (2)
LABEL-SWITCH
134563-01-CHT

HOLDING TANK HEATER
TURN OFF When Not in Use
SEE OPERATORS MANUAL

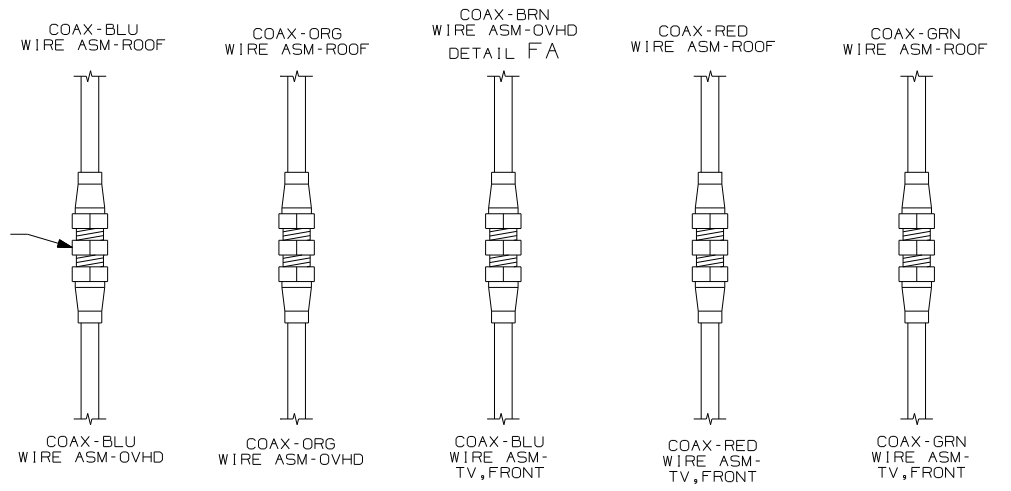
DETAIL CJ 23T OR 23R



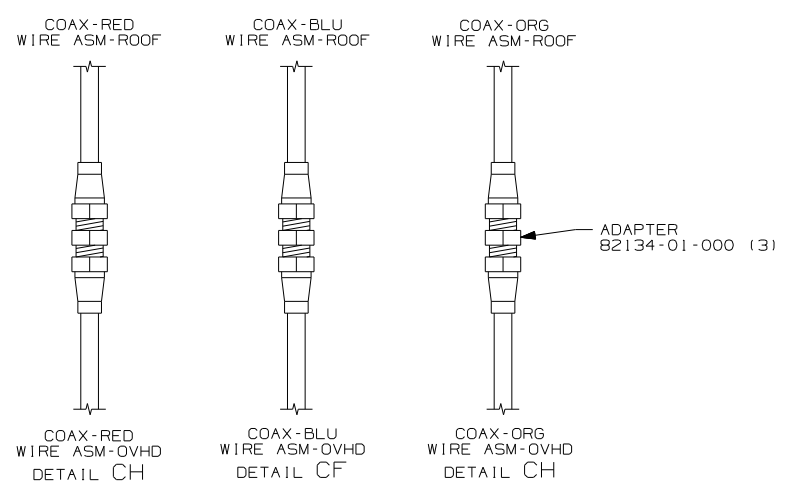
DETAIL CF 1JG 1



DETAIL CF 1LI 2



DETAIL CG 1LI 2



DETAIL CG 1JG 1



DETAIL CH 1JG 1

COAX-ORG
DETAIL CG 3

COAX-RED/RED
DETAIL CG 4

PLATE-WALL
149557-05-CHT
SCREW
667-10-08U (2)

FOR ELECTRICAL
TORQUE
SPECIFICATIONS
SEE DWG NO.
128783-01-000

FOR ELECTRICAL
CALLOUTS
SEE DWG NO.
121339-01-000

- 644 GREAT ALASKAN RENTAL PACKAGE
- 23R DRAINAGE SYSTEM/HEAT-PREWIRE
- 23T DRAINAGE SYSTEM-HEATED
- 09T SLIDEOUT RM-DINETTE, BENCH
- 09R SLIDEOUT RM-DINETTE, U-SHAPE
- 1LI TV-27" W/VIDEO SELECTION SYS
- 1JG TV-14" DC, LCD, & DVD, DC
- 1E2 ENTRANCE STEP-ELEC.
- 265 CODES/STANDARDS-CSA/CMVSS
- 1B1 CODES/STANDARDS USA

| | |
|----------------------|------------------------|
| FIRST USED | 07 229T |
| DO NOT SCALE DRAWING | |
| TITLE: | WIRING INSTL-BODY, 12V |
| SHEET 3 | PART NO 157269 REV |

- NOTES:
- 4 CONNECT COAX TO FRONT SIDE OF WALLPLATE.
 - 3 CONNECT COAX TO BACK SIDE OF WALLPLATE.
 - 2 NOT USED WITH 1JG
 - 1 NOT USED WITH 1LI
 - 7 REMOVE TERMINALS (SUPPLIED WITH KEY SWITCH) CRIMP ON TO WIRE ASM-JUMPER, AND RECONNECT TO KEY SWITCH.
 - 6 CUT CIRCUIT DY GOING TO SLIDEOUT SWITCH HOUSING AND RECONNECT AS SHOWN.
 - 5 SUPPLIED BY GREAT ALASKAN RENTAL COMPANY.

D

C

B

A

8

7

6

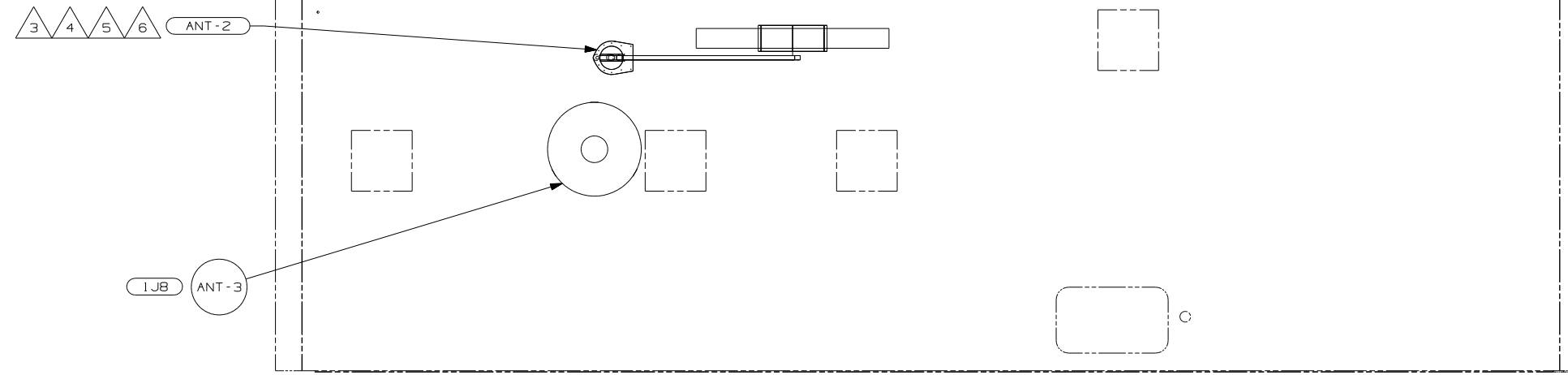
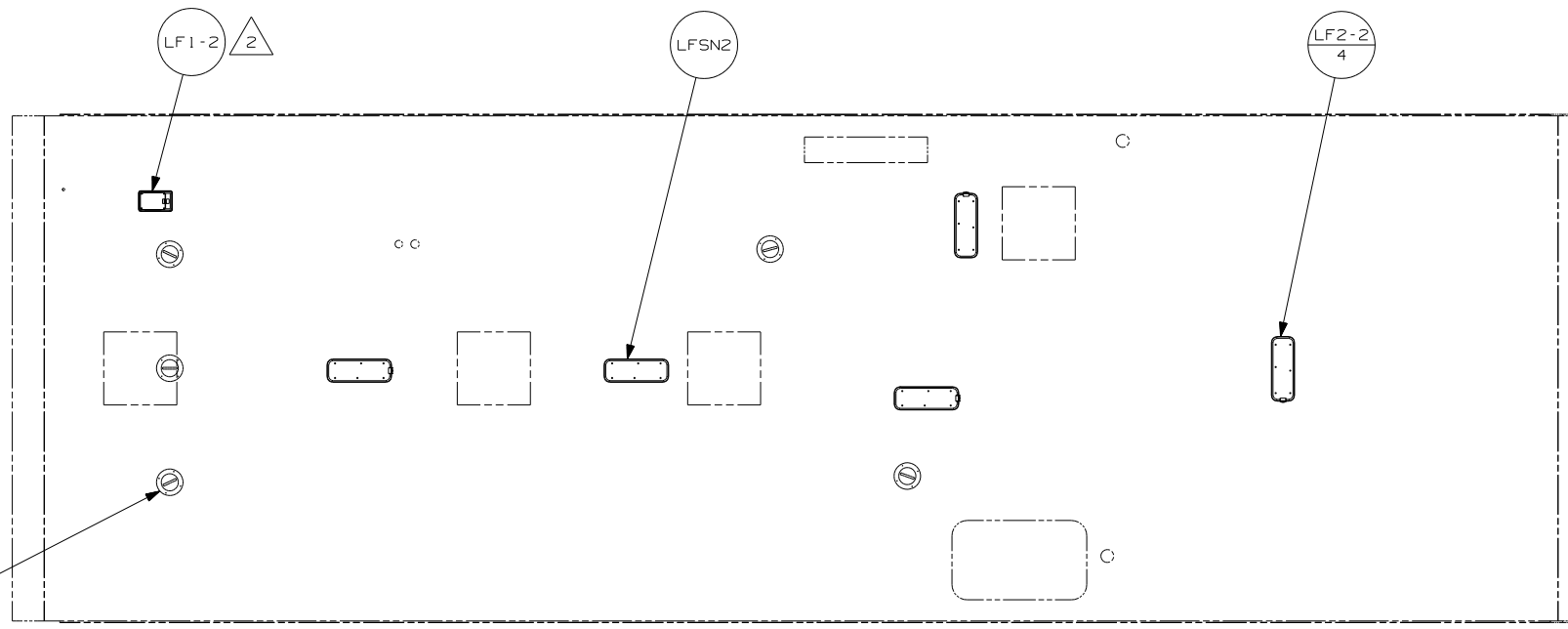
5

4

3

2

1



- △ 6 ADD RUBBER BUMPER TO ROOF UNDER EACH END OF ANTENNA IN DOWN POSITION WHICH MAY COME INTO CONTACT WITH ROOF.
- △ 5 LOCATE CLAMP TO RETAIN CABLE BUT NOT TO RESTRICT ANTENNA TRAVEL.
- △ 4 SEE DRAWING 76319-01-000 FOR INSTALLATION OF TV ANTENNA.
- △ 3 NOT USED WITH 1JB
- △ 2 NOT USED WITH 1L1

NOTES:
1. SEE ROOF ASM FOR ADDITIONAL INFORMATION.

- 1JB TV ANTENNA-OMNIDIRECTIONAL
- 1L1 TV-27" W/VIDEO SELECTION SYS
- 1JM HOME THEATER SOUND SYSTEM
- 265 CODES/STANDARDS-CSA/CMVSS
- 1B1 CODES/STANDARDS USA

| | |
|----------------------|------------------------|
| FIRST USED | 07 229T |
| DO NOT SCALE DRAWING | |
| TITLE: | WIRING INSTL-BODY, 12V |
| SHEET 4 | PART NO 157269 REV |

FOR ELECTRICAL TORQUE SPECIFICATIONS SEE DWG NO. 128783-01-000

FOR ELECTRICAL CALLOUTS SEE DWG NO. 121339-01-000

8

7

6

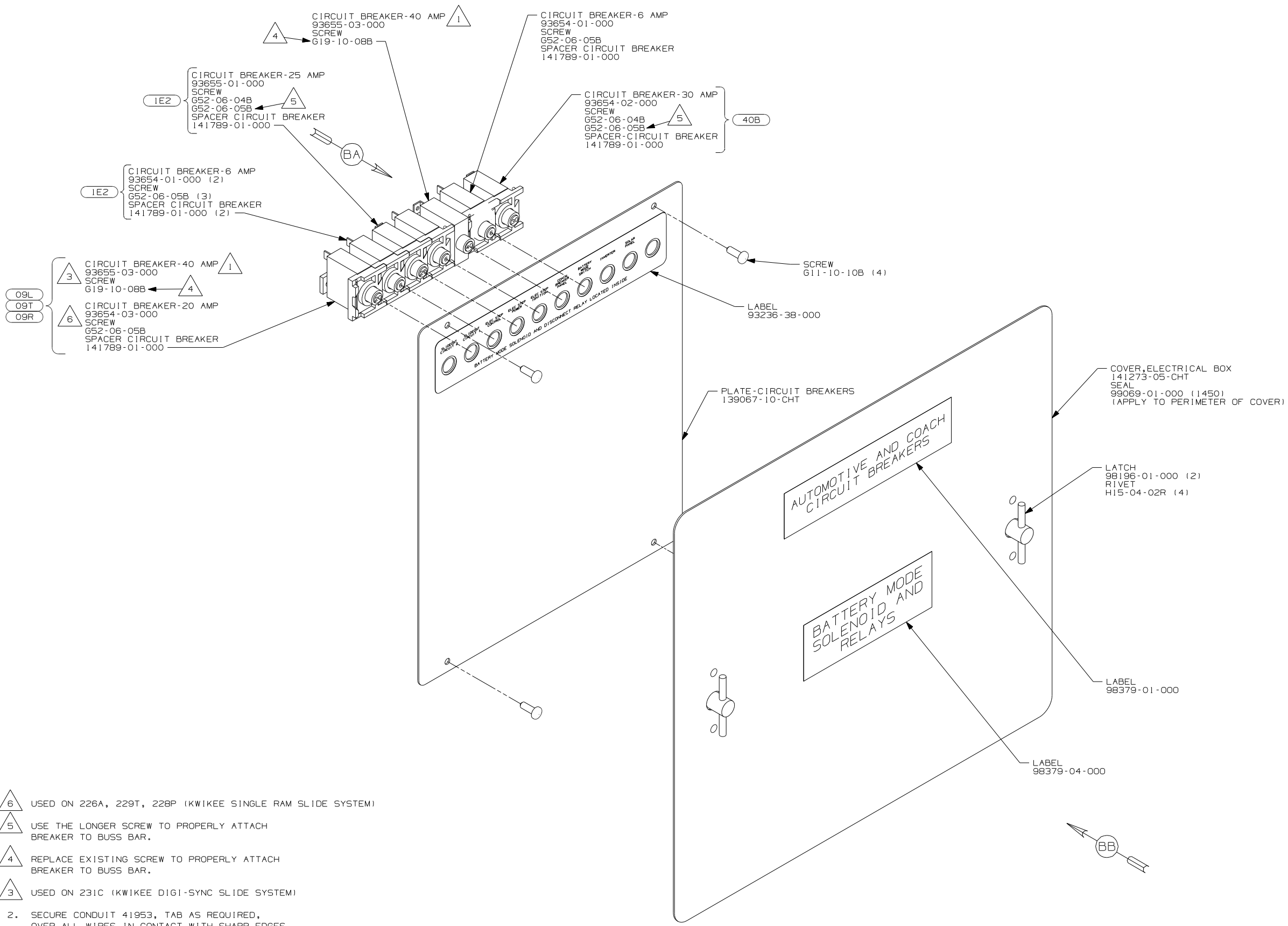
5

4

3

2

1



- 6 USED ON 226A, 229T, 228P (KWIKEE SINGLE RAM SLIDE SYSTEM)
 5 USE THE LONGER SCREW TO PROPERLY ATTACH BREAKER TO BUSS BAR.
 4 REPLACE EXISTING SCREW TO PROPERLY ATTACH BREAKER TO BUSS BAR.
 3 USED ON 231C (KWIKEE DIGI-SYNC SLIDE SYSTEM)
 2. SECURE CONDUIT 41953, TAB AS REQUIRED, OVER ALL WIRES IN CONTACT WITH SHARP EDGES.
 1 SPACER NOT REQUIRED ON 40 AMP BREAKER.

- 40B INVERTER-DC/AC, 300 WATT
 09R ENTRANCE STEP-ELEC.
 09T SLIDEOUT RM-DINETTE, BENCH
 1E2 ENTRANCE STEP-ELEC.
 09L SLIDEOUT ROOM FRONT LEFT
 265 CODES/STANDARDS-CSA/CMVSS
 1B1 CODES/STANDARDS USA

1B1 265

WINNEBAGO COPYRIGHT 2006 WINNEBAGO INDUSTRIES, INC.

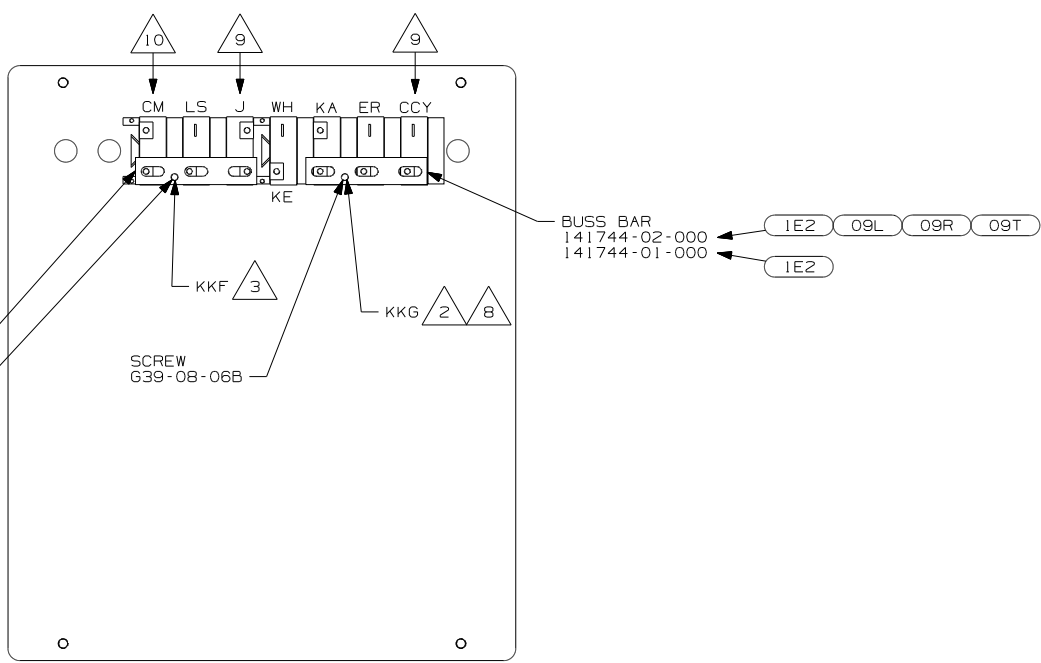
| | |
|-----------------------------|-----------------------------------|
| DFTR | ORIG. DATE |
| CHKR | ALL DIMENSIONS ARE IN MILLIMETERS |
| P.E. | |
| M.E. | FIRST USED |
| DSNR | 07 200-SER |
| UNSPECIFIED TOLERANCES ARE: | MATERIAL: |
| WHOLE DIM (X) | : |
| ONE-PLACE (X.X) | : |
| TWO-PLACE (X.XX) | : |
| ANGLE | : |
| THIRD ANGLE PROJECTION | |

DO NOT SCALE DRAWING

TITLE: CHASSIS ELECTRICAL BOX ASM

SHEET 1 OF 2 PART NO 156959 REV

REF: 1 5/15/2007



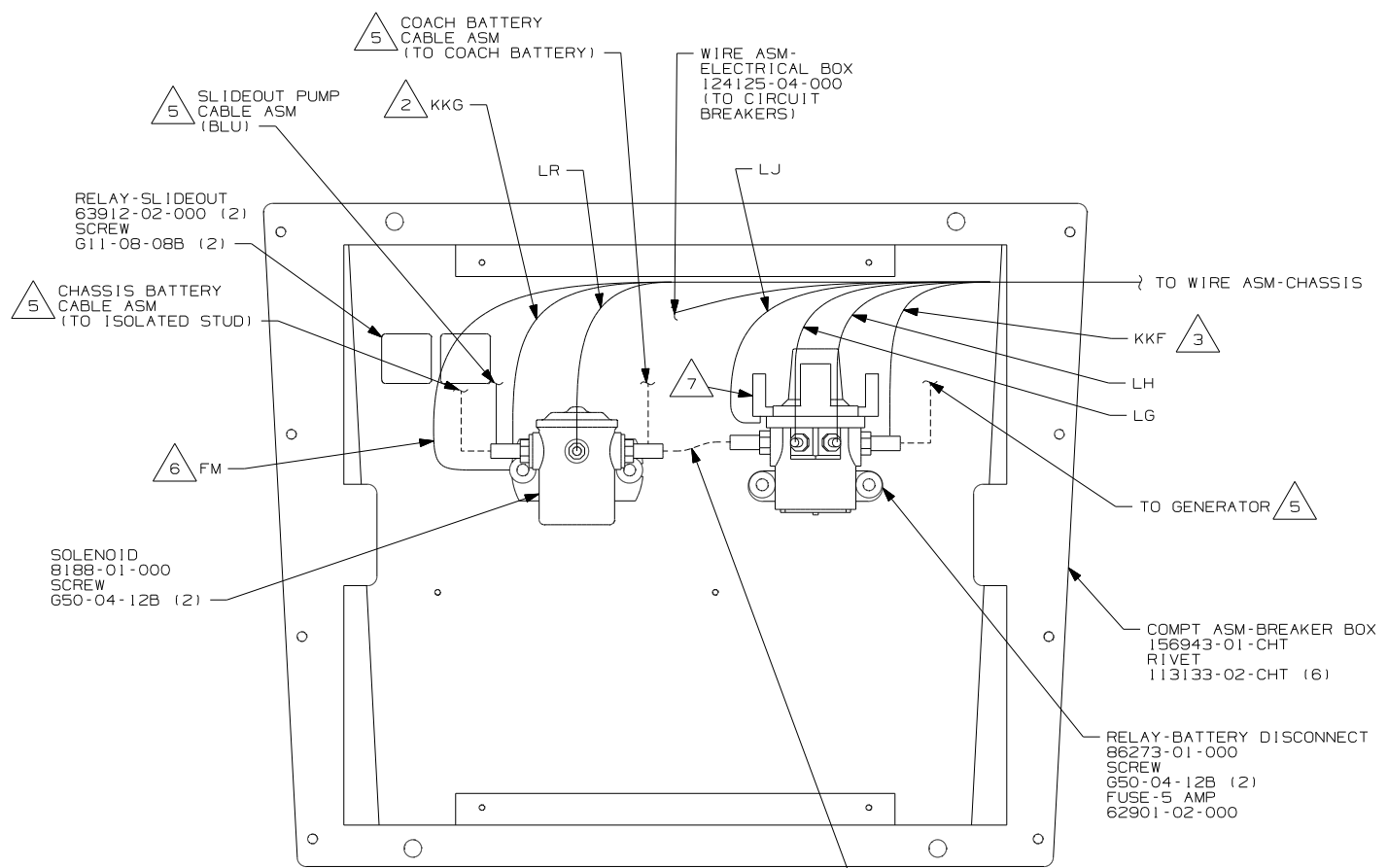
BUSS BAR
141744-01-000
141744-02-000

SCREW
G39-08-06B

BUSS BAR
141744-02-000
141744-01-000

1E2 09L 09R 09T
1E2

VIEW BA



COACH BATTERY
CABLE ASM
(TO COACH BATTERY)

SLIDEOUT PUMP
CABLE ASM
(BLU)

RELAY-SLIDEOUT
63912-02-000 (2)
SCREW
G11-08-08B (2)

CHASSIS BATTERY
CABLE ASM
(TO ISOLATED STUD)

SOLENOID
8188-01-000
SCREW
G50-04-12B (2)

WIRE ASM-
ELECTRICAL BOX
124125-04-000
(TO CIRCUIT
BREAKERS)

TO WIRE ASM-CHASSIS

TO GENERATOR

COMPT ASM-BREAKER BOX
156943-01-CHT
RIVET
113133-02-CHT (6)

RELAY-BATTERY DISCONNECT
86273-01-000
SCREW
G50-04-12B (2)
FUSE-5 AMP
62901-02-000

CABLE ASM (RED)
141415-31-002

- 10 CIRCUIT IS FROM WIRE ASM-INVERTER.
- 9 CIRCUIT IS FROM WIRE ASM-CHASSIS.
- 8 IF BUSS BAR IS NOT REQUIRED CONNECT KKG DIRECTLY TO BREAKER.
- 7 INSERT TERMINAL FROM CIRCUIT LJ INTO FUSE HOLDER SOCKET ON RELAY.
- 6 SECURE WITH SOLENOID MOUNTING SCREW.
- 5 SEE WIRING INSTL-CHASSIS FOR ADDITIONAL INFORMATION.
- 4 TAPE BACK UNUSED WIRES TO HARNESS.
- 3 WIRE IS MARKED WITH YELLOW TAPE.
- 2 WIRE IS MARKED WITH PURPLE TAPE.

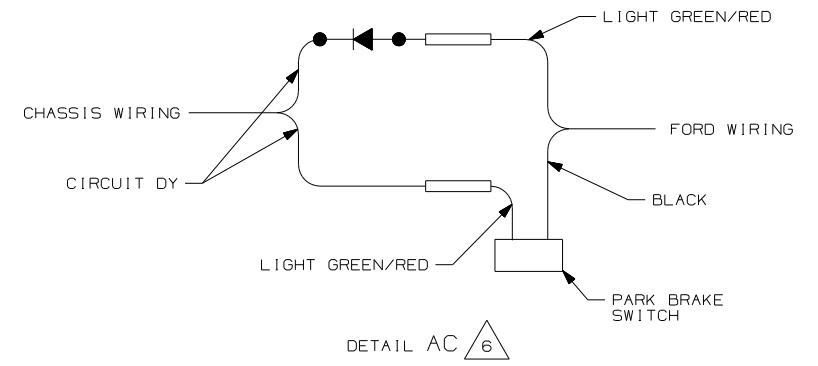
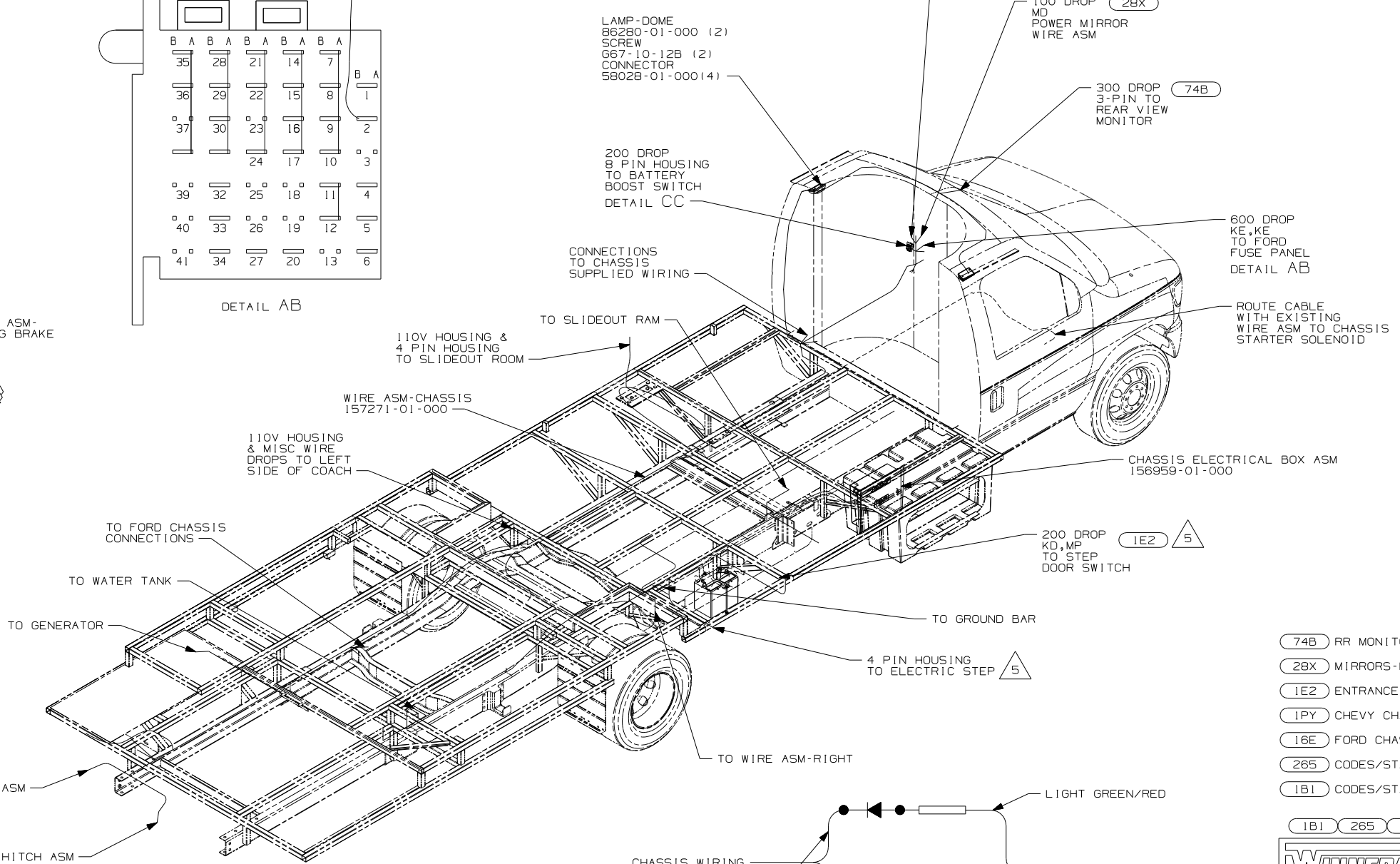
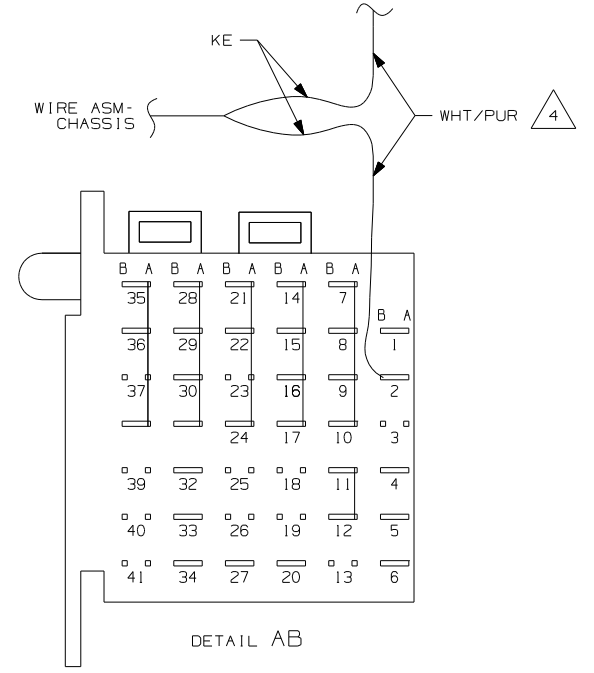
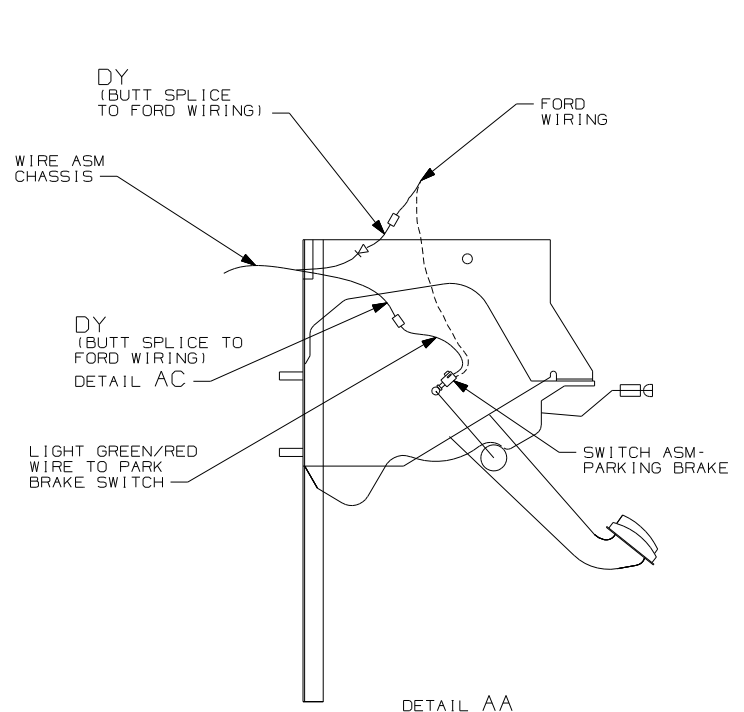
1. LEGEND: — WINNEBAGO: - - - - - CABLE: - - - - - CHASSIS SUPPLIED WIRING.

- 40B INVERTER-DC/AC, 300 WATT
- 09R SLIDEOUT RM-DINETTE, U-SHAPE
- 09T SLIDEOUT RM-DINETTE, BENCH
- 1E2 ENTRANCE STEP-ELEC.
- 09L SLIDEOUT ROOM FRONT LEFT
- 265 CODES/STANDARDS-CSA/CMVSS
- 1B1 CODES/STANDARDS USA

| | | |
|------------|----------------------------|--------|
| FIRST USED | 07 200-SER | |
| TITLE | DO NOT SCALE DRAWING | |
| | CHASSIS ELECTRICAL BOX ASM | |
| SHEET 2 | PART NO | 156959 |
| | REV | |

| DRAWING NO. | FEATURE | SHEETS |
|-------------|---------|--------|
| 157267-01 | 16E | 1,2,3 |
| 157267-02 | 1PY | 3,4,5 |

| | | |
|----------|-----------------|-----------|
| RELEASE | REV/DATE | DWG NO |
| | A | 157267 |
| REV ZONE | REVISION RECORD | DATE |
| | | DFTR-0016 |



- 74B RR MONITOR SYS-SUNVISOR MNTR
- 28X MIRRORS-EXTERIOR W/DEFROST
- 1E2 ENTRANCE STEP-ELEC.
- 1PY CHEVY CHASSIS 14,050 LB GVWR
- 16E FORD CHASSIS 14,050 LB.GVWR
- 265 CODES/STANDARDS-CSA/CMVSS
- 1B1 CODES/STANDARDS USA

- 6 CUT LIGHT GREEN/RED WIRE FROM PARK BRAKE SWITCH AND RECONNECT TO CIRCUIT DY OF CHASSIS ASM AS SHOWN.
- 5 SECURE DROP BACK ALONG RAIL WITHOUT 1E2
- 4 CUT WIRE AND RECONNECT AS SHOWN.
- 3. USE WIRE TIES 8343-04-000 AND 116673-01-000 APPROXIMATELY 600MM ON CENTER UNLESS OTHERWISE SPECIFIED.
- 2. SECURE CONDUIT 41953, TAB AS REQUIRED, OVER ALL WIRES IN CONTACT WITH SHARP EDGES.
- 1. LEGEND: — WINNEBAGO: - - - - - CABLE: - - - - - CHASSIS SUPPLIED WIRING.

FOR ELECTRICAL TORQUE SPECIFICATIONS SEE DWG NO. 128783-01-000

X-X FOR ELECTRICAL CALLOUTS SEE DWG NO. 121339-01-000

WINNEBAGO COPYRIGHT 2006 WINNEBAGO INDUSTRIES, INC.

| | |
|------|-----------------------------------|
| DFTR | ORIG. DATE |
| CHKR | ALL DIMENSIONS ARE IN MILLIMETERS |
| P.E. | |
| M.E. | FIRST USED |
| DSNR | 07 229T |

UNSPECIFIED TOLERANCES ARE: MATERIAL:

| | |
|------------------|--------|
| WHOLE DIM (X) | : 3 |
| ONE-PLACE (X.X) | : 1.5 |
| TWO-PLACE (X.XX) | : 0.50 |
| ANGLE | : 1° |

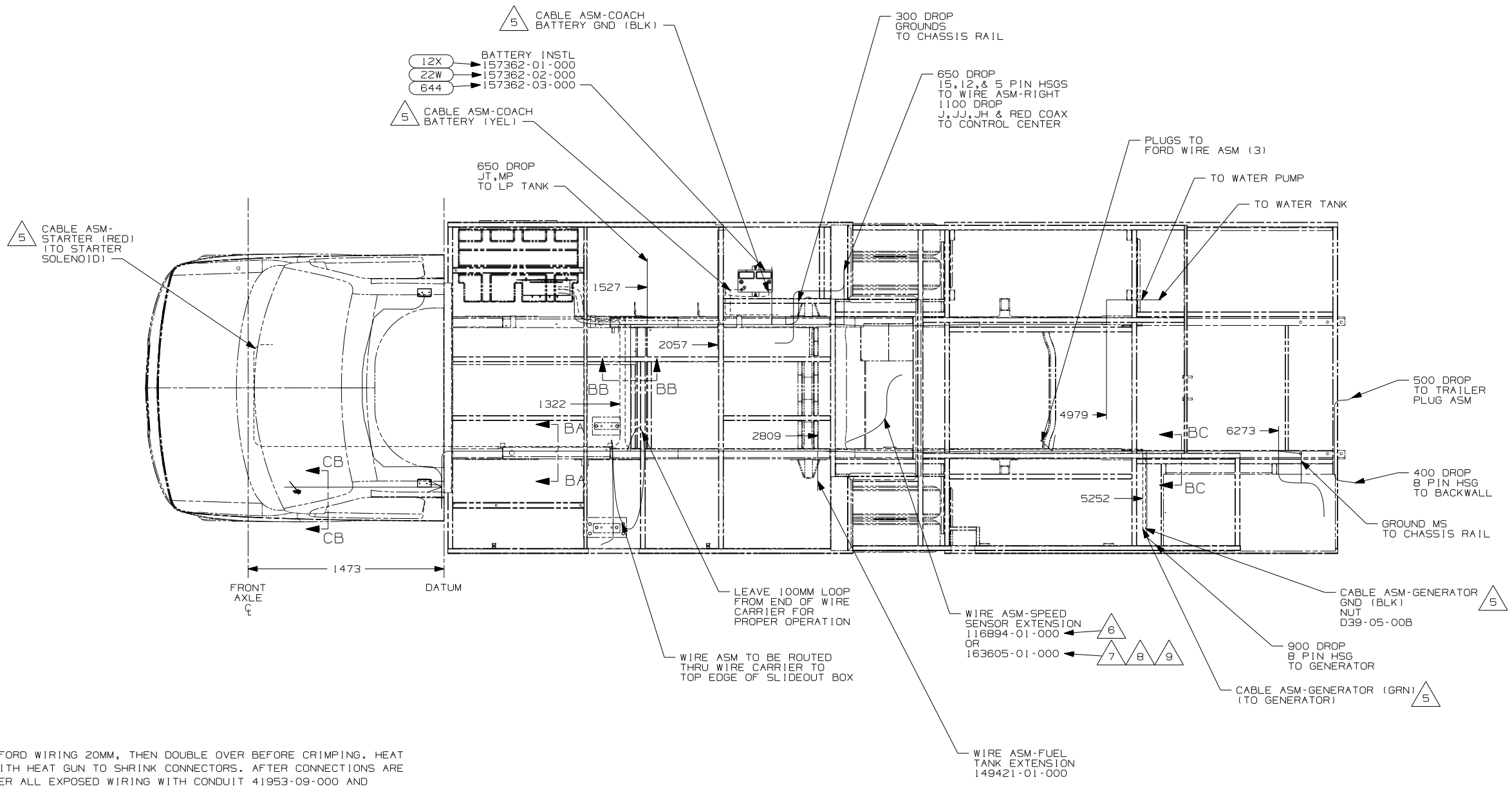
THIRD ANGLE PROJECTION

DO NOT SCALE DRAWING

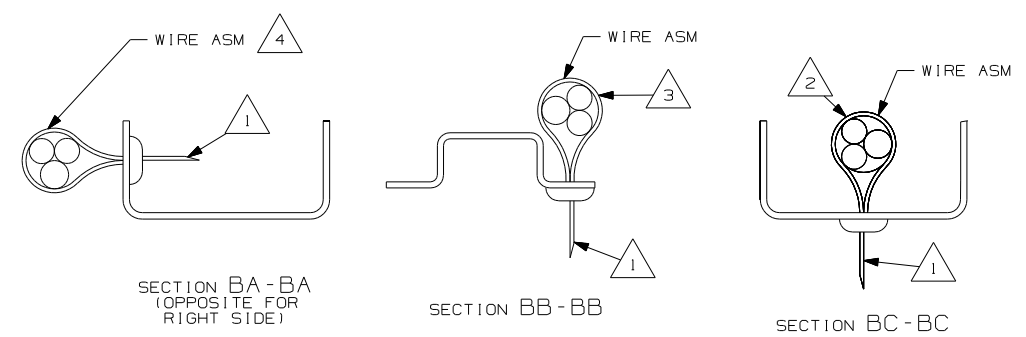
TITLE: **WIRING INSTL-CHASSIS**

SHEET 1 OF 5 PART NO. 157267 REV

REF: 1 1/5/2007



- 9 STRIP END OF FORD WIRING 20MM, THEN DOUBLE OVER BEFORE CRIMPING. HEAT CONNECTIONS WITH HEAT GUN TO SHRINK CONNECTORS. AFTER CONNECTIONS ARE COMPLETE, COVER ALL EXPOSED WIRING WITH CONDUIT 41953-09-000 AND SECURE BOTH ENDS WITH TAPE 8363-01-000 TO WIRE ASM.
- 8 CUT FORD SPEED SENSOR WIRING APPROXIMATELY 150MM BACK FROM CONNECTOR. INSTALL WIRE ASM-SPEED SENSOR IN LINE BETWEEN FORD WIRING AND SPEED SENSOR CONNECTOR, MATCHING THE COLORS OF SPEED SENSOR ASM TO THE FORD WIRE ASM COLORS.
- 7 USED ON 07 FORD CHASSIS.
- 6 USED ON 06 FORD CHASSIS.
- 5 SEE BATTERY INSTL FOR ADDITIONAL INFORMATION.
- 4 WIRES TO BE TIED TO CROSS MEMBER USING EXISTING HOLES.
- 3 WIRES TO BE TIED TO TOP OF RAIL USING EXISTING HOLES.
- 2 WIRES TO BE TIED TO INSIDE OF RAIL USING EXISTING HOLES.
- 1 CUT OFF EXCESS END OF WIRE TIE.

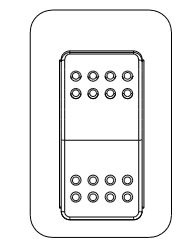
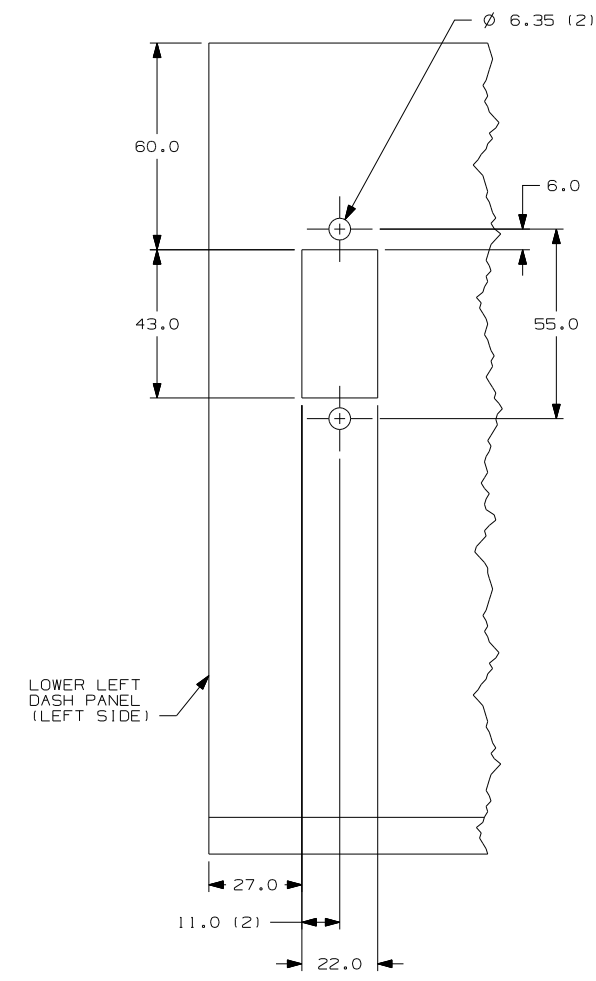
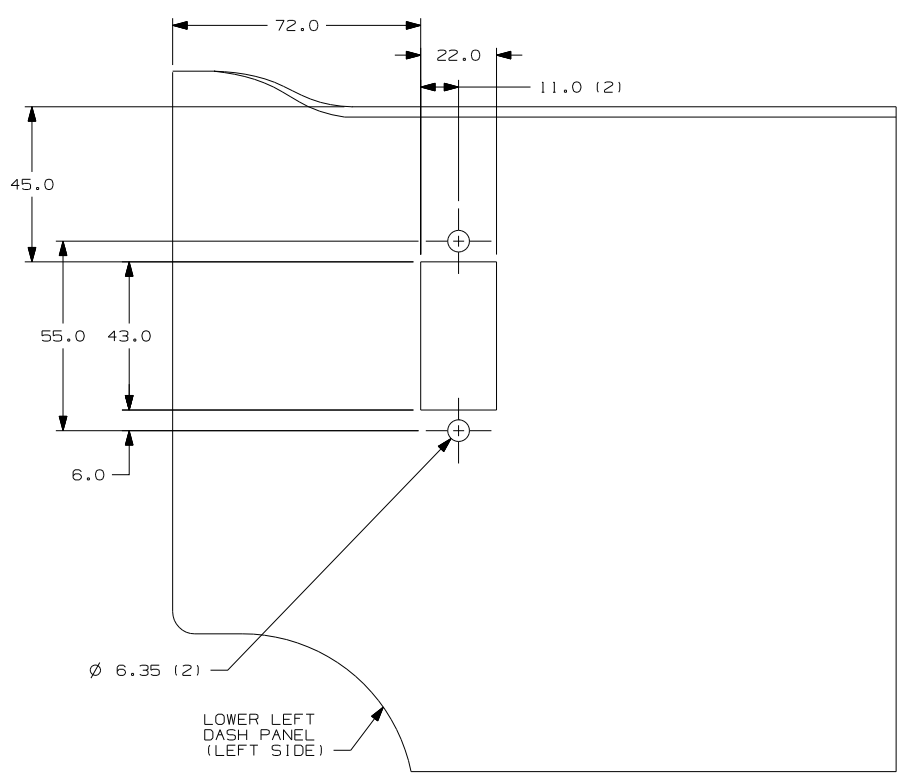


FOR ELECTRICAL TORQUE SPECIFICATIONS SEE DWG NO. 128783-01-000

FOR ELECTRICAL CALLOUTS SEE DWG NO. 121339-01-000

- 644 GREAT ALASKAN RENTAL PACKAGE
- 22W BATTERY-ONE
- 12X BATTERY-ONE
- 16E FORD CHASSIS 14,050 LB. GVWR
- 265 CODES/STANDARDS-CSA/CMVSS
- 1B1 CODES/STANDARDS USA

| | |
|----------------------|----------------------|
| FIRST USED | 07 229T |
| DO NOT SCALE DRAWING | |
| TITLE: | WIRING INSTL-CHASSIS |
| SHEET 2 | PART NO 157267 REV |



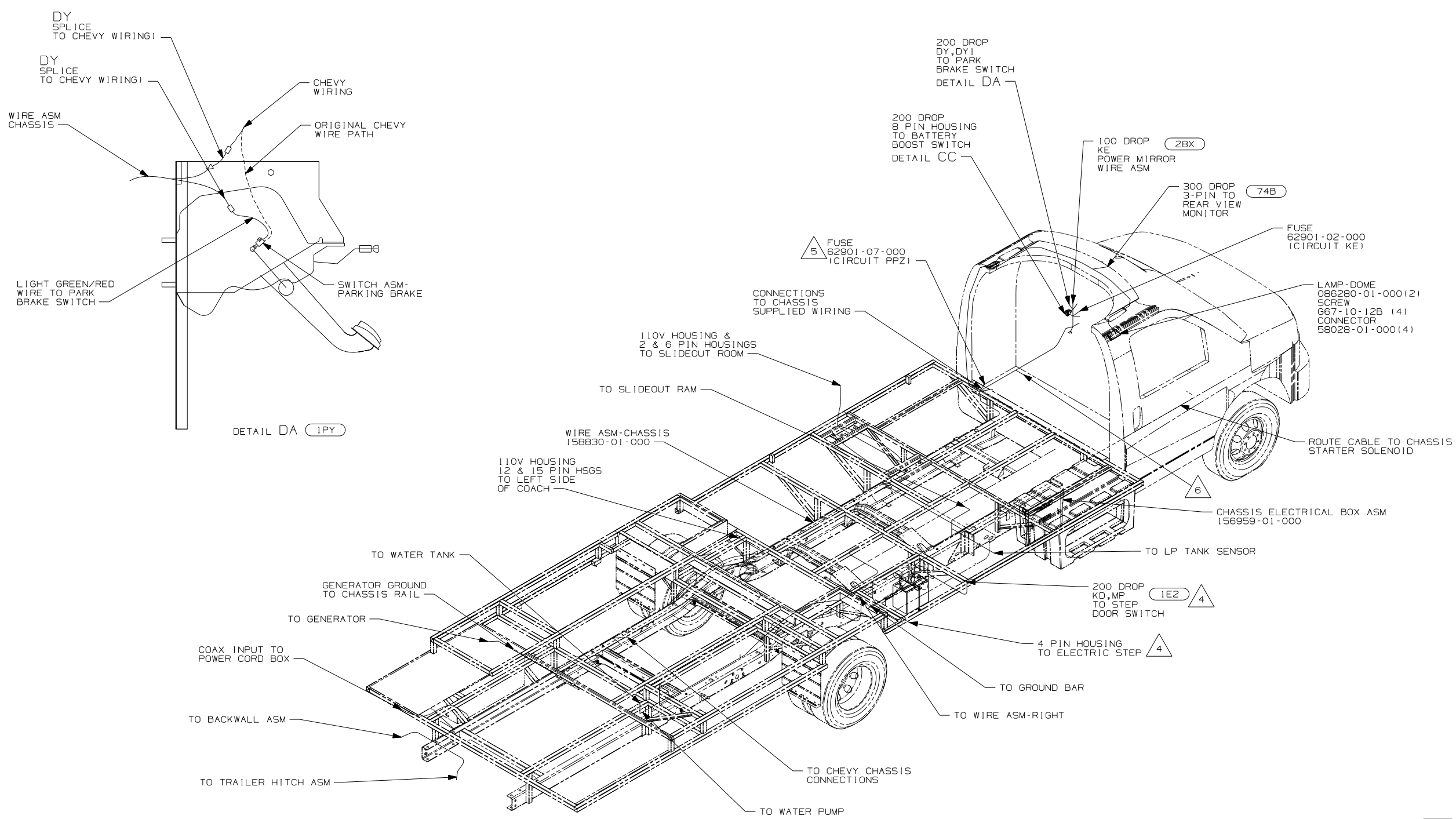
SWITCH-AUX START
 108357-09-000
 ACTUATOR
 108356-07-CHT
 PLATE-SWITCH
 144363-07-000
 NUT
 112722-01-000 (2)

- (IPY) CHEVY CHASSIS 14,050 LB GVWR
- (16E) FORD CHASSIS 14,050 LB.GVWR
- (265) CODES/STANDARDS-CSA/CMVSS
- (1B1) CODES/STANDARDS USA

| | | | |
|-----------------------------|---------|---------|-----|
| FIRST USED | | 07 229T | |
| DO NOT SCALE DRAWING | | | |
| TITLE: WIRING INSTL-CHASSIS | | | |
| SHEET 3 | PART NO | 157267 | REV |

FOR ELECTRICAL TORQUE SPECIFICATIONS SEE DWG NO. 128783-01-000

(X-X) FOR ELECTRICAL CALLOUTS SEE DWG NO. 121339-01-000



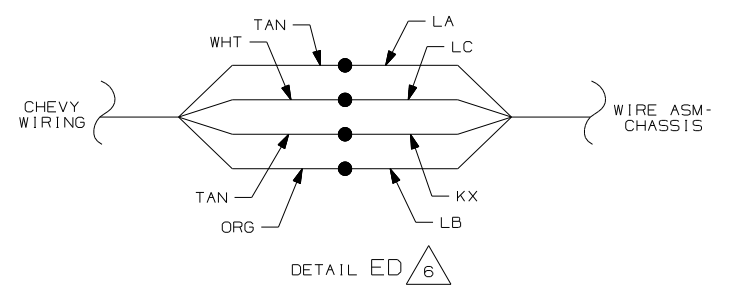
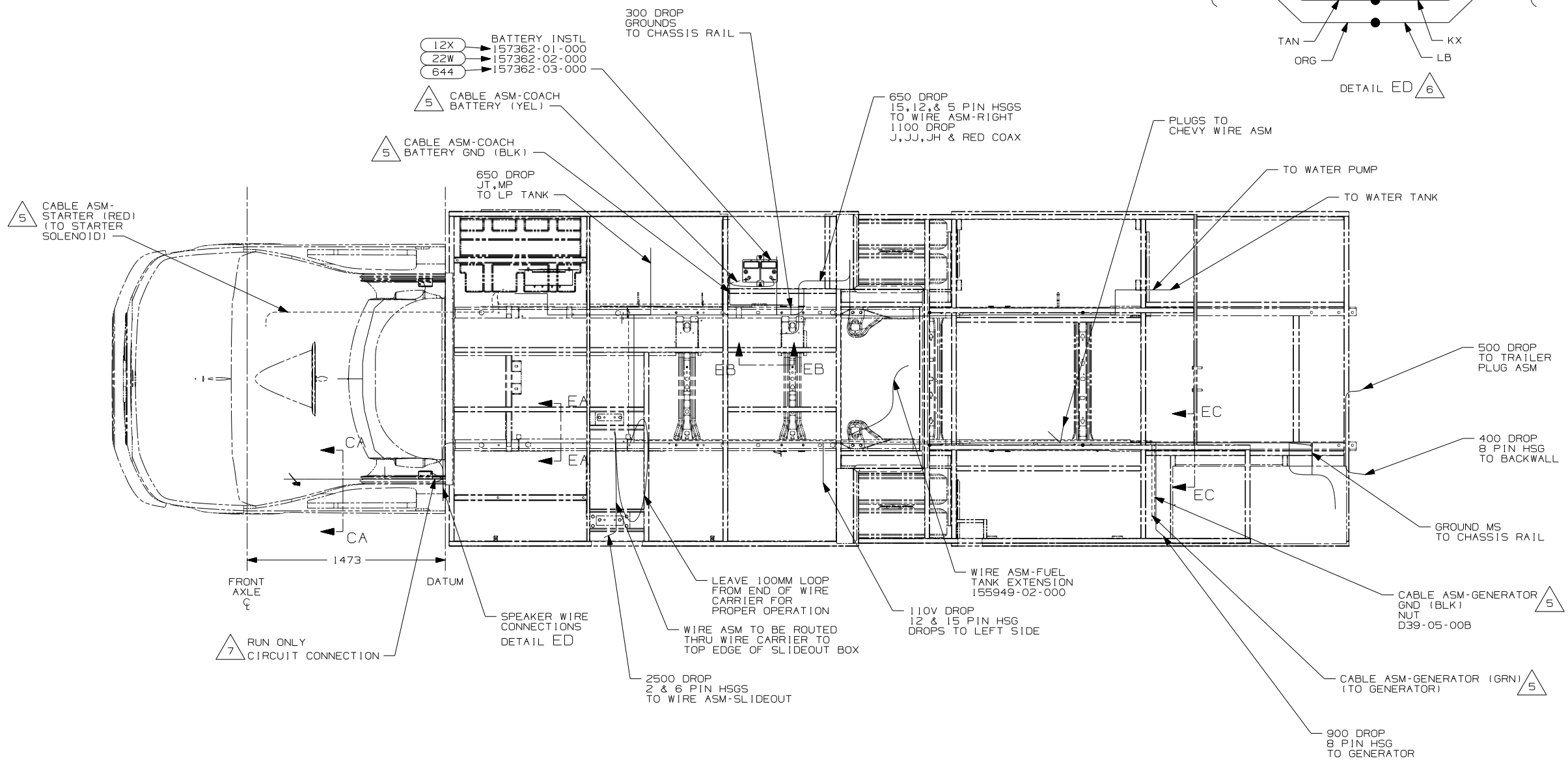
- 6 WIRE ASM-CHASSIS ROUTES UNDER SEAT IN THIS AREA. BETWEEN SEAT AND DASH, ROUTE WIRING UNDER FLOOR MAT AND WIRE TIE TO EXISTING CHEVY WIRING.
 - 5 SECURE FUSEHOLDER TO MAIN WIRE HARNASS UNDER SEAT.
 - 4 SECURE DROP BACK ALONG RAIL WITHOUT (1E2)
3. USE WIRE TIES 8343-04-000 AND 116673-01-000 APPROXIMATELY 600MM ON CENTER UNLESS OTHERWISE SPECIFIED.
 2. SECURE CONDUIT 41953, TAB AS REQUIRED, OVER ALL WIRES IN CONTACT WITH SHARP EDGES.
 1. LEGEND: — WINNEBAGO: - - - - - CABLE: - - - - - CHASSIS SUPPLIED WIRING.

- (74B) REARVIEW MONITOR SYSTEM
- (28X) MIRRORS-EXTERIOR W/DEFROST
- (1E2) ENTRANCE STEP-ELEC.
- (1PY) CHEVY CHASSIS 14,050 LB GVWR
- (265) CODES/STANDARDS-CSA/CMVSS
- (1B1) CODES/STANDARDS USA

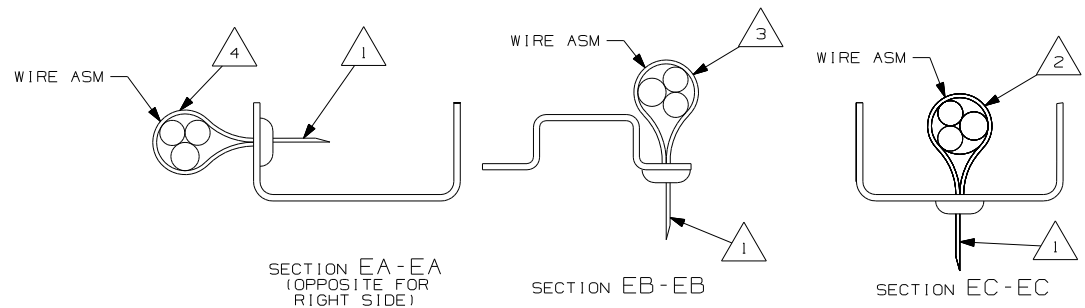
| | |
|------------|----------------------|
| FIRST USED | 07 229T |
| TITLE | DO NOT SCALE DRAWING |
| | WIRING INSTL-CHASSIS |
| SHEET 4 | PART NO 157267 REV |

FOR ELECTRICAL TORQUE SPECIFICATIONS SEE DWG NO. 128783-01-000

(X-X) FOR ELECTRICAL CALLOUTS SEE DWG NO. 121339-01-000



- 7 CONNECT "FEED" WIRE TO CHEVY BROWN WIRE AT B-POST.
- 6 BOTH POSITIVE WIRES ARE TAN. TO TEST, TURN THE RADIO FADE ALL THE WAY TO THE LEFT. CONNECT THE NEGATIVE TERMINAL OF A TEST SPEAKER TO THE WHITE WIRE. THEN ALTERNATE THE TWO TAN WIRES TO THE POSITIVE TERMINAL. WHICH EVER IS LOUDER IS THE ONE THAT CONNECTS TO CIRCUIT LA. THE OTHER TAN WIRE CONNECTS TO CIRCUIT KX.
- 5 SEE BATTERY INSTL FOR ADDITIONAL INFORMATION.
- 4 WIRES TO BE TIED TO CROSS MEMBER USING EXISTING HOLES.
- 3 WIRES TO BE TIED TO TOP OF RAIL USING EXISTING HOLES.
- 2 WIRES TO BE TIED TO INSIDE OF RAIL USING EXISTING HOLES.
- 1 CUT OFF EXCESS END OF WIRE TIE.



FOR ELECTRICAL TORQUE SPECIFICATIONS SEE DWG NO. 128783-01-000

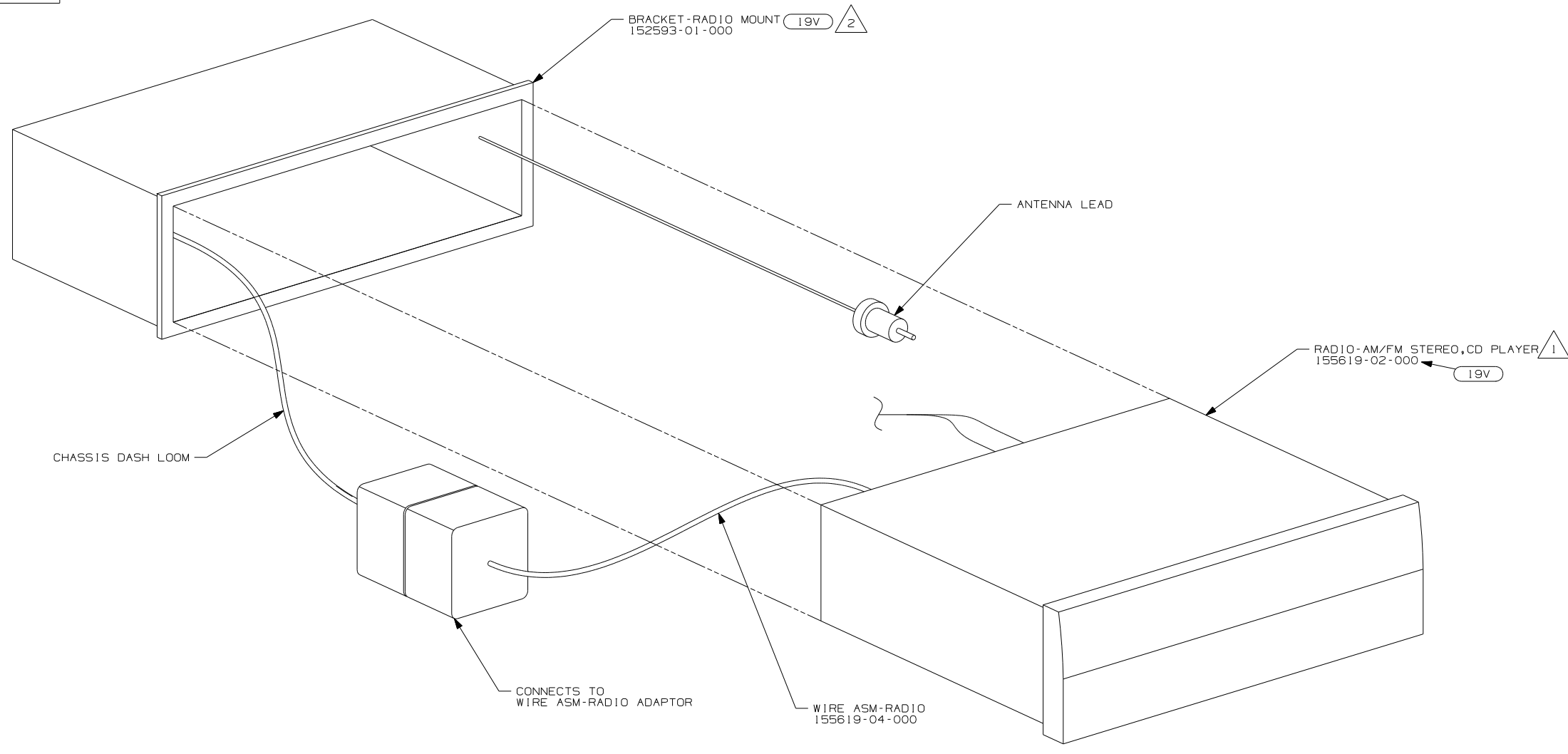
FOR ELECTRICAL CALLOUTS SEE DWG NO. 121339-01-000

- 644 GREAT ALASKAN RENTAL PACKAGE
- 22W BATTERY-SECOND
- 12X BATTERY-ONE
- 1PY CHEVY CHASSIS 14,050 LB GVWR
- 265 CODES/STANDARDS-CSA/CMVSS
- 1B1 CODES/STANDARDS USA

| | |
|----------------------|----------------------|
| FIRST USED | 07 229T |
| DO NOT SCALE DRAWING | |
| TITLE: | WIRING INSTL-CHASSIS |
| SHEET 5 | PART NO 157267 REV |

| DRAWING NO. | SHEET | SERIES |
|-------------|-------|--------------------|
| 156331-01 | 1 | 200 |
| 156331-02 | 2 | 300 & 700 |
| 156331-03 | 3 | 500 |
| 156331-04 | 4 | D,F,G,P,R,S-SERIES |
| 156331-05 | 5 | E-SERIES |

| | | | |
|----------|-----------------|--------|-----------|
| RELEASE | REV DATE | OWG NO | 156331 |
| REV ZONE | REVISION RECORD | DATE | DFTR-ORIG |



- NOTES:
- 2 INSTALL REAR RADIO SUPPORT BRACKET, ENGAGING T-RAIL ON BOTTOM OF RADIO UNTIL LOCKED IN PLACE.
 - 1 BEND TABS ON ALL 4 SIDES TO SECURE RADIO MOUNTING BRACKET TO DASH MOUNTING BRACKET.

19V RADIO-AM/FM STEREO CD PLAYER (FORD CHASSIS ONLY)

WINNEBAGO COPYRIGHT 2006 WINNEBAGO INDUSTRIES, INC.

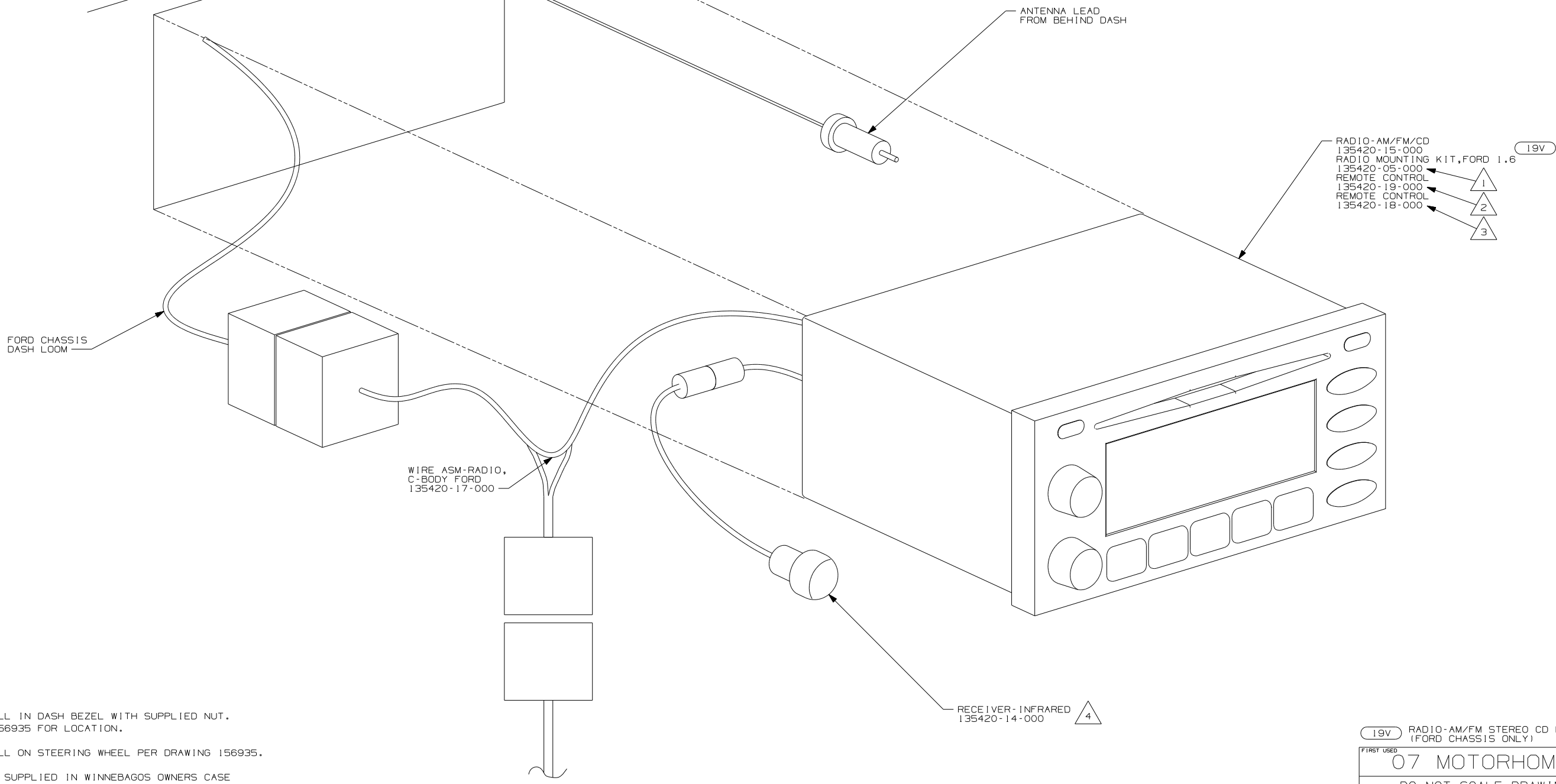
| | |
|-----------------------------|-----------------------------------|
| DFTR | ORIG. DATE |
| CHKR | ALL DIMENSIONS ARE IN MILLIMETERS |
| P.E. | |
| M.E. | FIRST USED |
| DSNR | 07 MOTORHOMES |
| UNSPECIFIED TOLERANCES ARE: | MATERIAL: |
| WHOLE DIM (X) : | |
| ONE-PLACE (X.X) : | |
| TWO-PLACE (X.XX) : | |
| ANGLE : | |
| THIRD ANGLE PROJECTION | |

DO NOT SCALE DRAWING

TITLE: RADIO INSTL

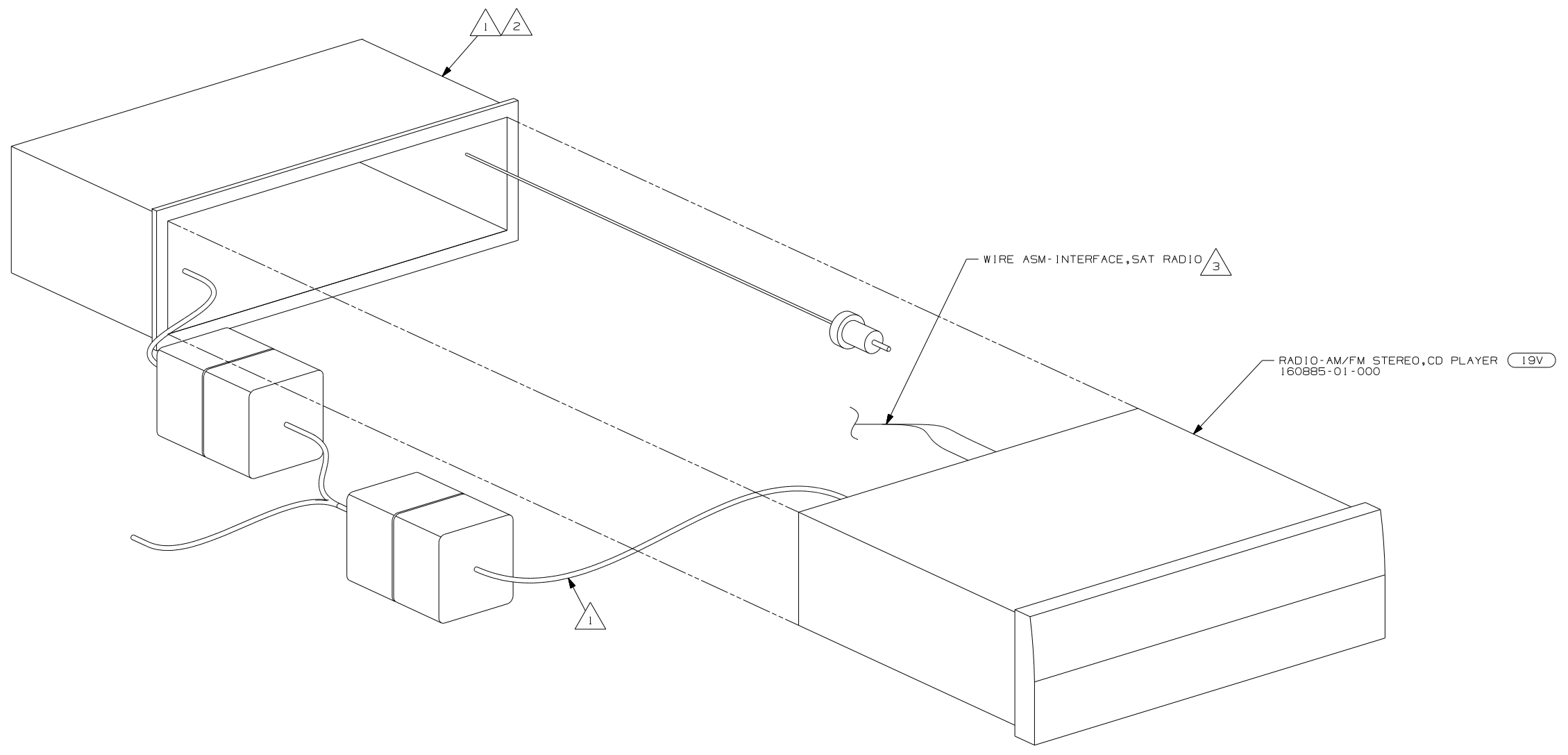
SHEET 1 OF 5 PART NO 156331 REV

REF: 1 8/16/2006



- NOTES:
- 4 INSTALL IN DASH BEZEL WITH SUPPLIED NUT. SEE 156935 FOR LOCATION.
 - 3 INSTALL ON STEERING WHEEL PER DRAWING 156935.
 - 2 TO BE SUPPLIED IN WINNEBAGOS OWNERS CASE
 - 1 INSTALL REAR RADIO SUPPORT BRACKET, ENGAGING T-RAIL ON BOTTOM OF RADIO UNTIL LOCKED IN PLACE.

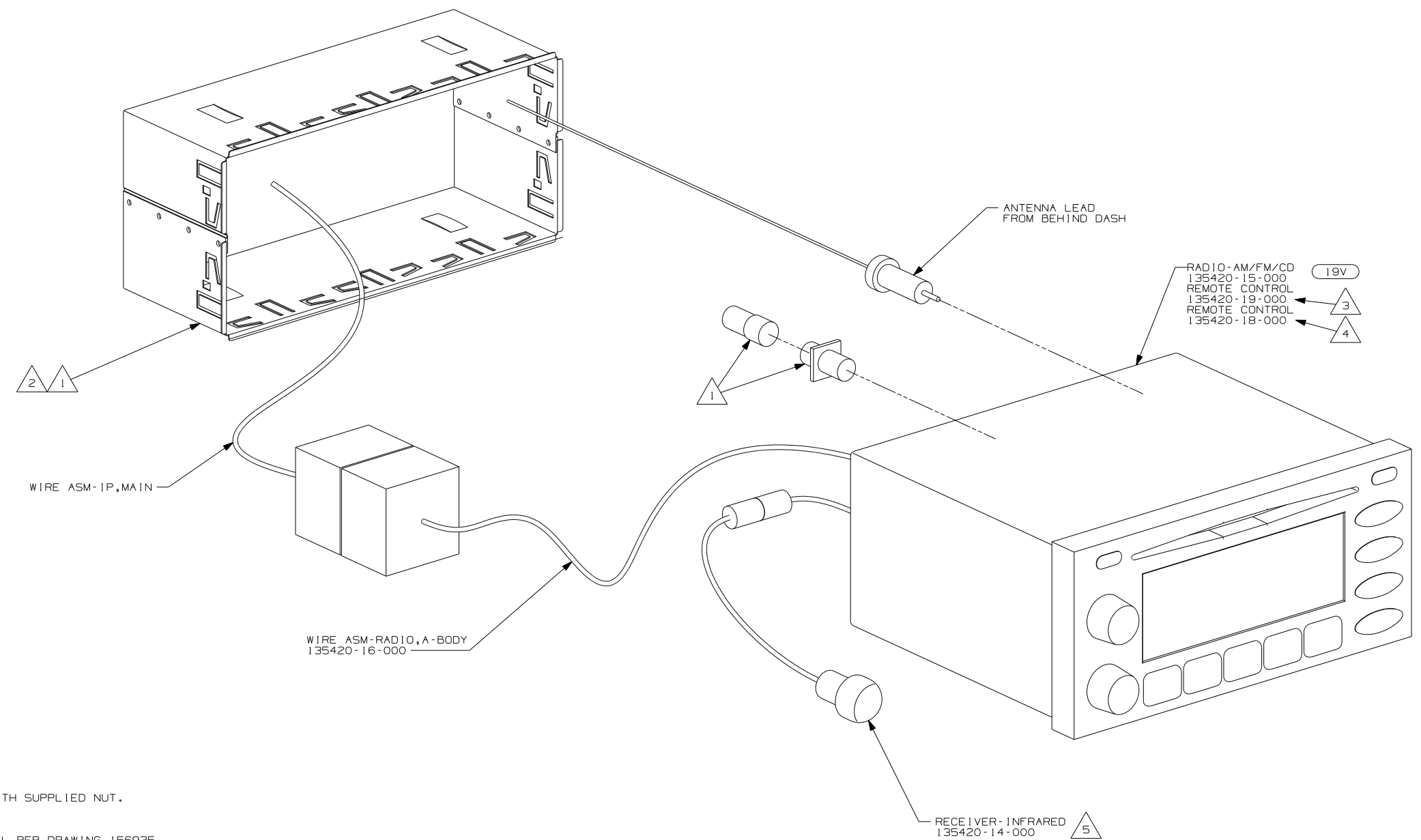
| | |
|--|--------------------|
| 19V RADIO-AM/FM STEREO CD PLAYER (FORD CHASSIS ONLY) | |
| FIRST USED | |
| 07 MOTORHOMES | |
| DO NOT SCALE DRAWING | |
| TITLE: RADIO INSTL | |
| SHEET 2 | PART NO 156331 REV |



- NOTES:
- TO SATELLITE RECEIVER. SEE ANTENNA INSTL-RADIO & CB FOR ADDITIONAL INFORMATION.
 - BEND TABS ON ALL 4 SIDES TO SECURE MOUNTING BRACKET TO DASH OPENING.
 - SUPPLIED WITH RADIO

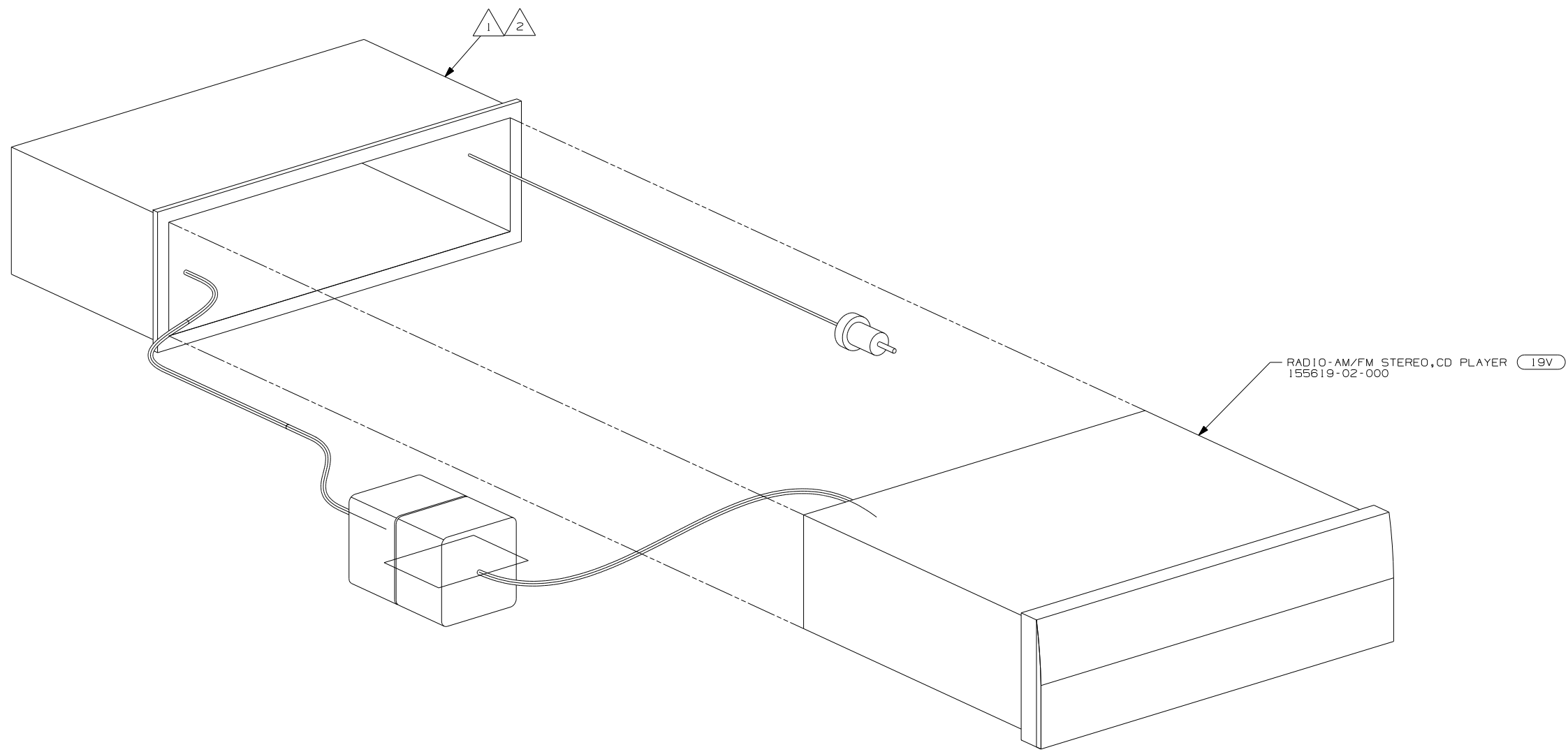
RADIO-AM/FM STEREO CD PLAYER

| | | | |
|------------|----------------------|-----|--|
| FIRST USED | 07 MOTORHOMES | | |
| TITLE | DO NOT SCALE DRAWING | | |
| SHEET | PART NO | REV | |
| | 156331 | | |



- NOTES:
- 5 INSTALL IN DASH BEZEL WITH SUPPLIED NUT. SEE 156935 FOR LOCATION.
 - 4 INSTALL ON STEERING WHEEL PER DRAWING 156935.
 - 3 TO BE SUPPLIED IN WINNEBAGOS OWNERS CASE
 - 2 BEND TABS ON ALL 4 SIDES TO SECURE MOUNTING BRACKET TO DASH OPENING.
 - 1 SUPPLIED WITH MOUNTING KIT 135420-07-000

| | | |
|------------|------------------------------|-----|
| 19V | RADIO-AM/FM STEREO CD PLAYER | |
| FIRST USED | 07 MOTORHOMES | |
| TITLE: | DO NOT SCALE DRAWING | |
| | RADIO INSTL | |
| SHEET 4 | PART NO 156331 | REV |



RADIO-AM/FM STEREO, CD PLAYER (19V)
155619-02-000

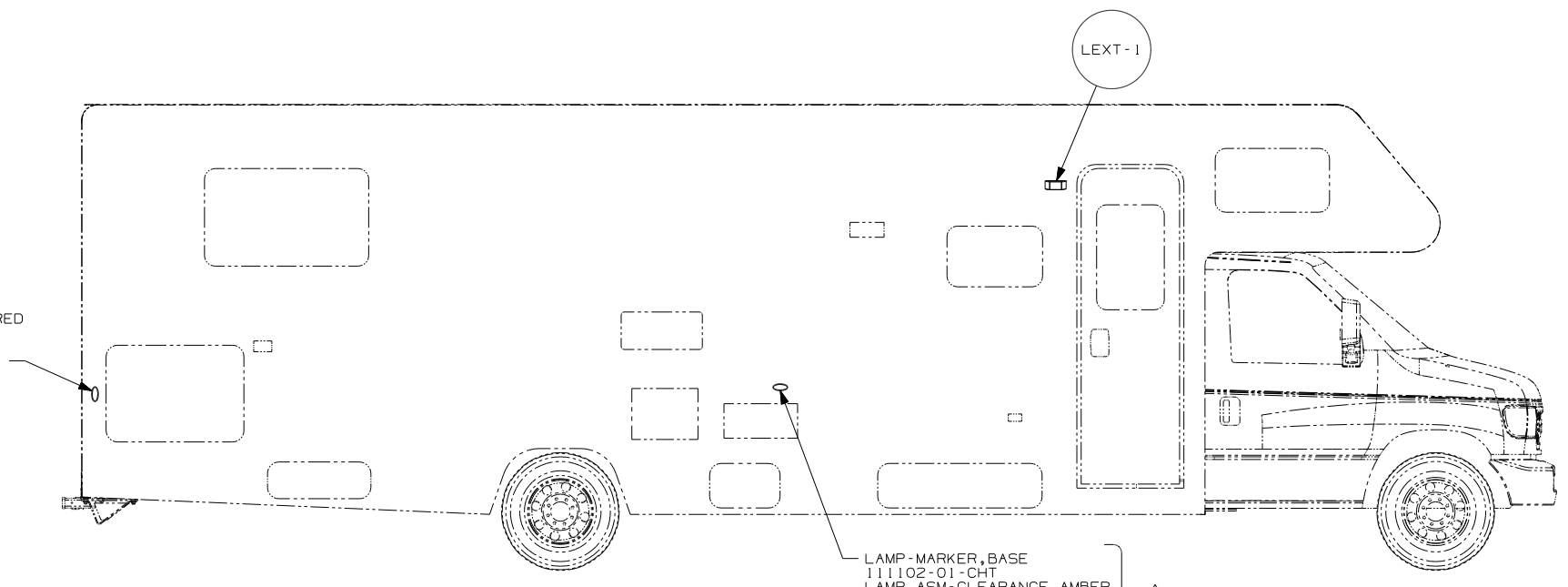
2 BEND TABS ON ALL 4 SIDES TO SECURE MOUNTING BRACKET TO DASH OPENING.

1 SUPPLIED WITH RADIO

NOTES:

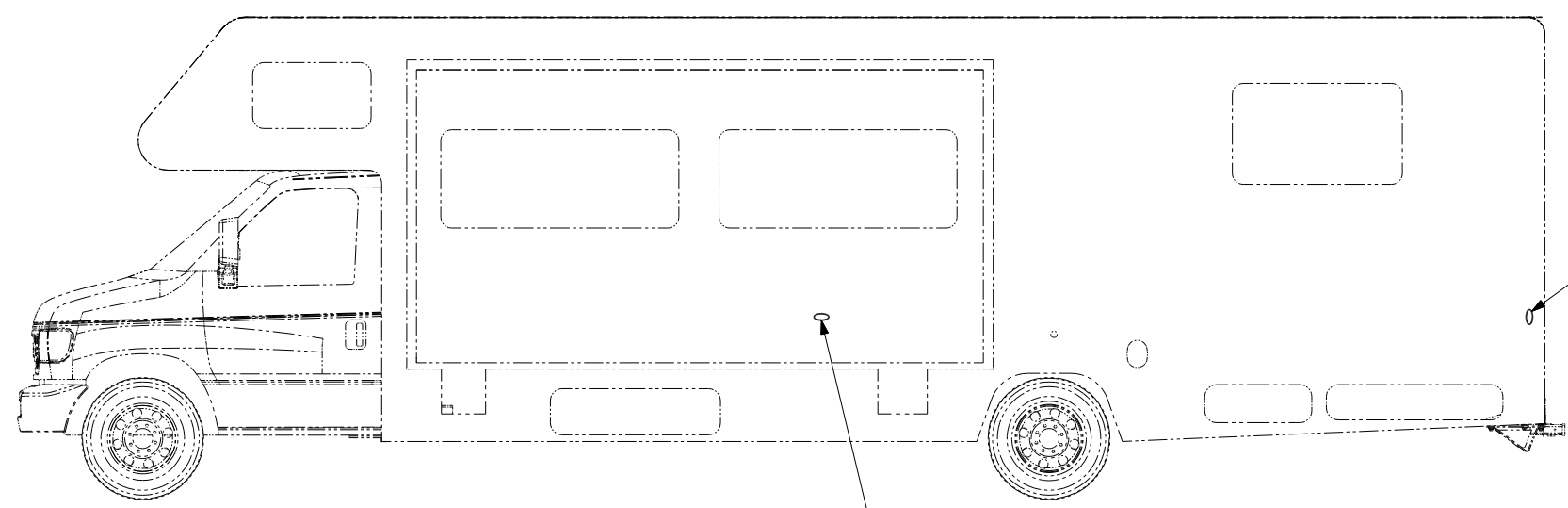
(19V) RADIO-AM/FM STEREO CD PLAYER

| | | | |
|------------|----------------------|--------|-----|
| FIRST USED | 07 MOTORHOMES | | |
| TITLE | DO NOT SCALE DRAWING | | |
| TITLE | RADIO INSTL | | |
| SHEET | PART NO | 156331 | REV |



LAMP-MARKER, BASE
 111102-01-CHT
 LAMP ASM-CLEARANCE, RED
 111102-03-CHT
 SCREW
 611-08-12U (EXT) (2)

LAMP-MARKER, BASE
 111102-01-CHT
 LAMP ASM-CLEARANCE, AMBER
 111102-02-CHT
 SCREW
 611-08-12U (EXT) (2)
 CONNECTOR
 58028-01-000 (2)



LAMP-MARKER, BASE
 111102-01-CHT
 LAMP ASM-CLEARANCE, RED
 111102-03-CHT
 SCREW
 611-08-12U (EXT) (2)

LAMP-MARKER, BASE
 111102-01-CHT
 LAMP ASM-CLEARANCE, AMBER
 111102-02-CHT
 SCREW
 611-08-12U (EXT) (2)
 CONNECTOR
 58028-01-000 (2)

265 CODES/STANDARDS-CSA/CMVSS
 1B1 CODES/STANDARDS USA
 1B1 265



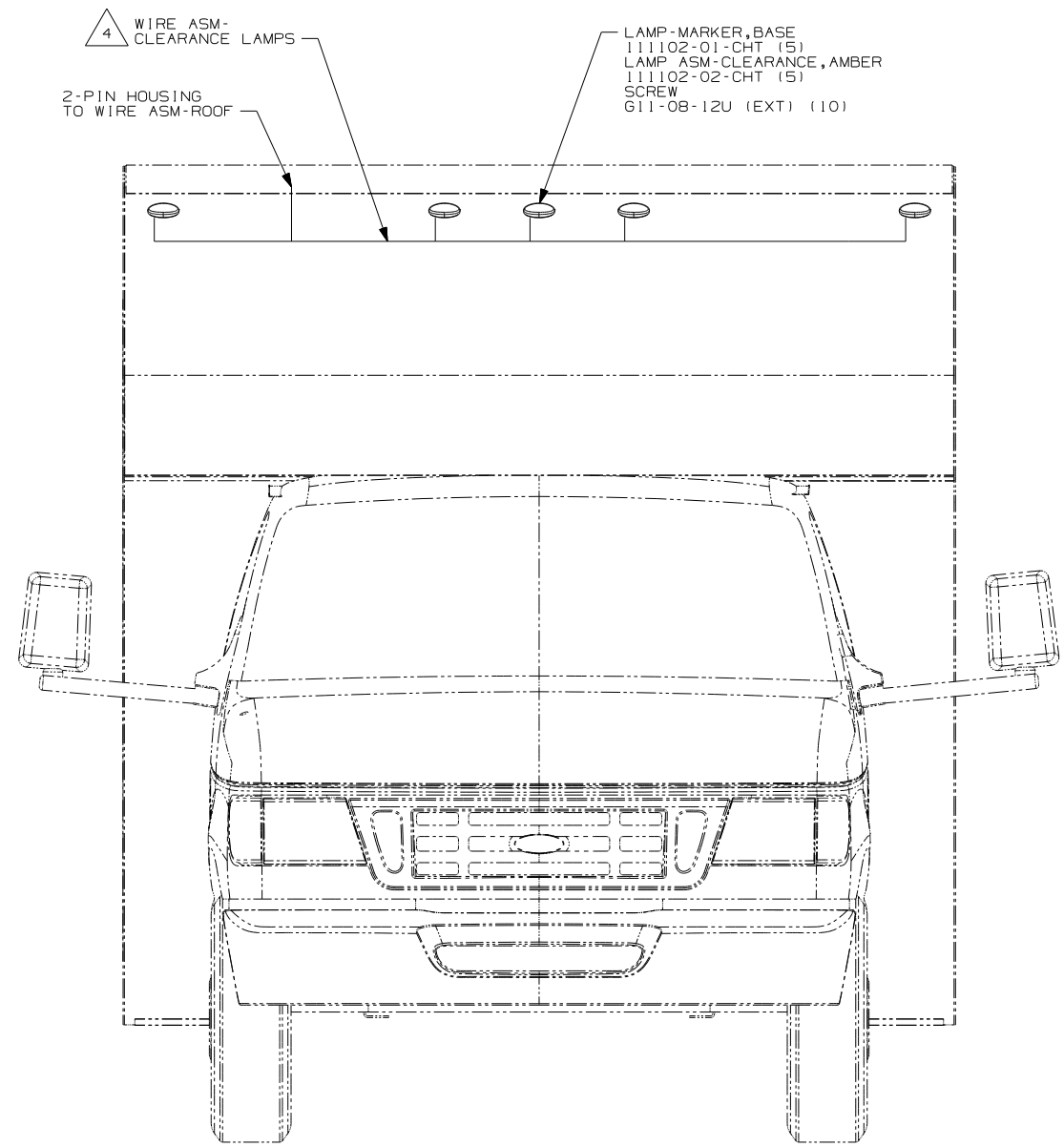
| | |
|-----------------------------|-----------------------------------|
| DFTR | ORIG. DATE |
| CHKR | ALL DIMENSIONS ARE IN MILLIMETERS |
| P.E. | |
| M.E. | FIRST USED |
| DSNR | 07 200-SER |
| UNSPECIFIED TOLERANCES ARE: | MATERIAL: |
| HOLE DIM (X) | : 3 |
| ONE-PLACE (X.X) | : 1.5 |
| TWO-PLACE (X.XX) | : 0.50 |
| ANGLE | : 1° |
| THIRD ANGLE PROJECTION | |

FOR ELECTRICAL TORQUE SPECIFICATIONS SEE DWG NO. 128783-01-000

FOR ELECTRICAL CALLOUTS SEE DWG NO. 121339-01-000

DO NOT SCALE DRAWING
 TITLE: WIRING INSTL-EXTERIOR LAMPS
 SHEET 1 OF 2 PART NO 156356 REV
 REF: 1 5/15/2007

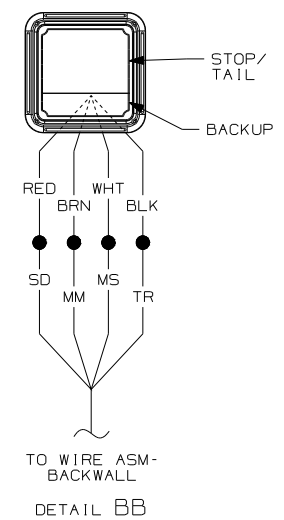
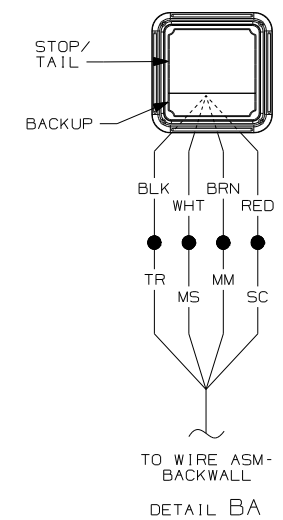
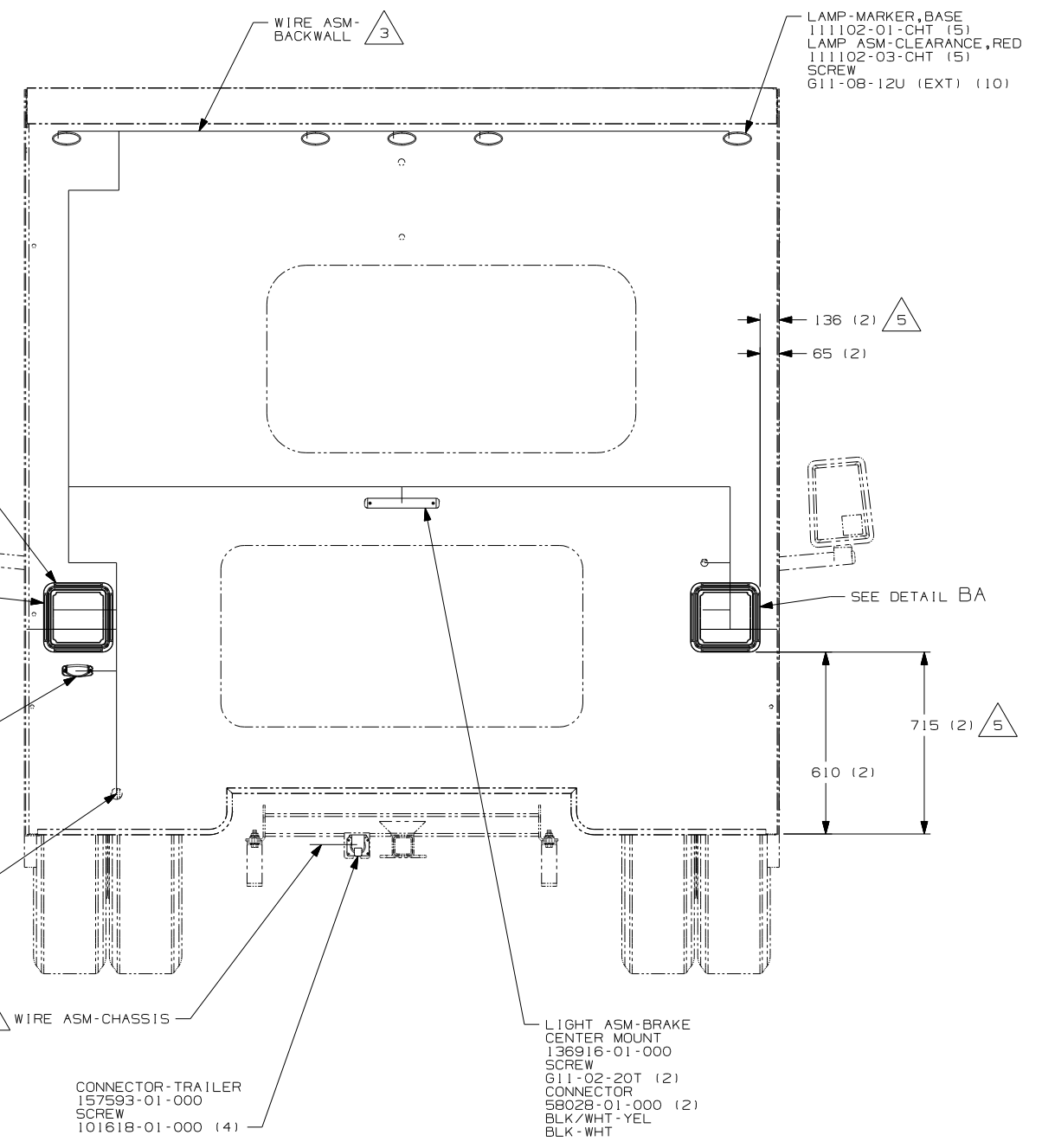
NOTES:
 1 USED ONLY WITH 231C & 229T.



LAMP ASM-STOP/TURN/
TAIL/BACKUP
153658-01-CHT (2)
SCREW
611-08-12U (8)
CONNECTOR
58028-01-000 (8)
SEALER TAPE
69640-21-000 (3,4)

BRACKET-LICENSE
66432-03-000
SCREW
667-10-129 (2)
LIGHT-LICENSE
66432-02-000
SCREW
639-08-12T (EXT) (2)
CONNECTOR
58028-01-000 (2)

8-PIN HOUSING TO WIRE ASM-CHASSIS



- 5 LIGHT ASSEMBLIES MOUNTED IN THIS POSITION ON THE 226A.
- 4 LOCATED IN ROOF ASM-FRONT.
- 3 LOCATED IN BACKWALL ASSEMBLY
- 2 SECURE WIRE BELOW COACH WITH CLAMP 10495-01-000 AND SCREW G67-10-12B.

NOTES:
1. CONNECTOR-PLUG, TRAILER 146246-01-000 TO BE SUPPLIED LOOSE IN OWNERS PACKET WITH TRAILER TOW PACKAGE.

FOR ELECTRICAL TORQUE SPECIFICATIONS SEE DWG NO. 128783-01-000

FOR ELECTRICAL CALLOUTS SEE DWG NO. 121339-01-000

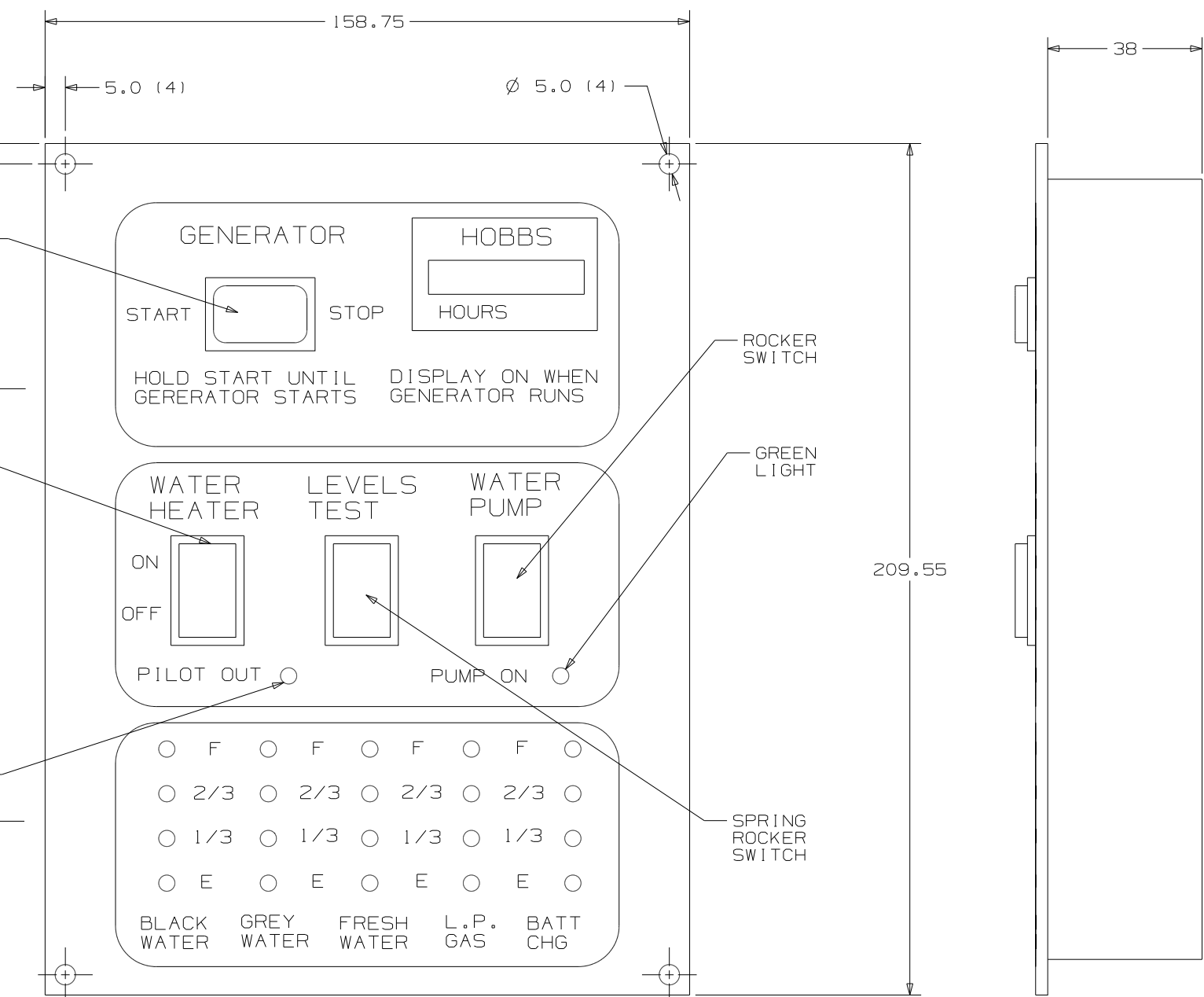
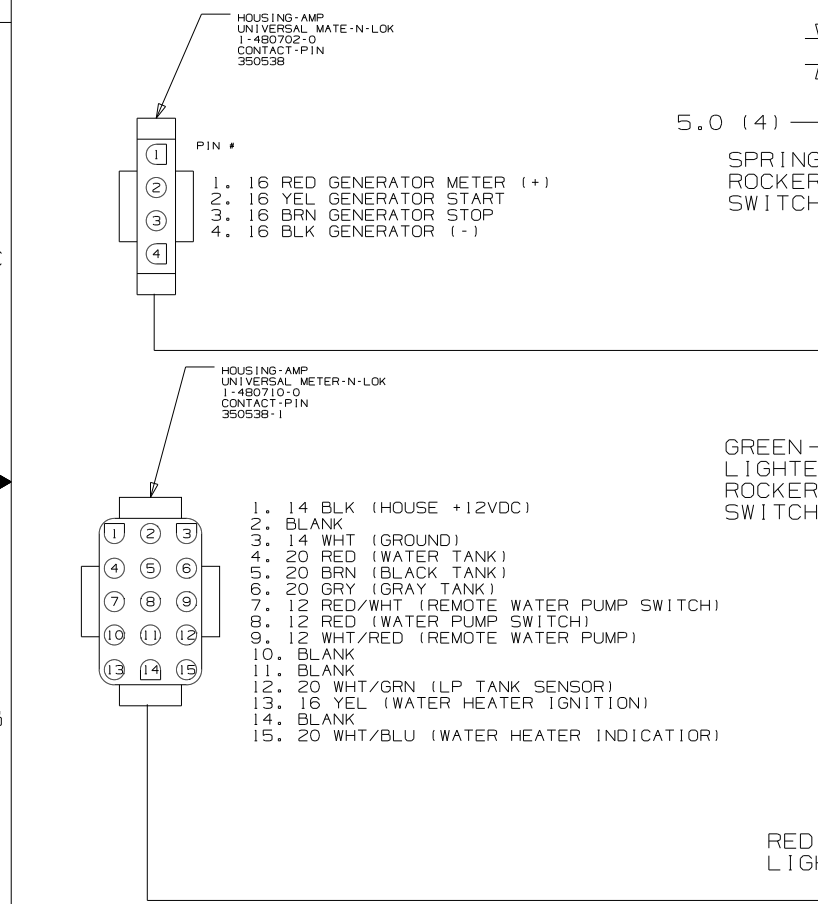
265 CODES/STANDARDS-CSA/CMVSS
1B1 CODES/STANDARDS USA

| | |
|-----------------------------|--------------------|
| 1B1 265 | |
| FIRST USED | |
| 07 200-SER | |
| DO NOT SCALE DRAWING | |
| TITLE: | |
| WIRING INSTL-EXTERIOR LAMPS | |
| SHEET 2 | PART NO 156356 REV |

| DWG NO | | SHEET | WEIGHT (LBS.) |
|-----------|------------------------|-------|---------------|
| 134940-01 | W/GEN | 1 | 0.89 |
| 134940-02 | W/O GEN | 2 | 0.89 |
| 134940-03 | SWITCH, METER, HARNESS | --- | 0.89 |
| 134940-04 | W/G SOLAR | 3 | 0.89 |
| 134940-05 | W/GEN SWIT | 4 | 0.89 |
| 134940-06 | W/GEN/SEN | 5,6 | 0.89 |
| 134940-07 | W/O GEN/SE | 7,8 | 0.89 |
| 134940-08 | W/G SOL/SE | 9,10 | 0.89 |
| 134940-09 | W/G SW/SEN | 11,12 | 0.89 |

| DWG NO | | SHEET | WEIGHT (LBS.) |
|-----------|-------------|-------|---------------|
| 134940-10 | W/O GEN/SEN | 13,14 | 0.67 |

| | | |
|----------|-----------------|-----------|
| RELEASE | REV DATE | DWG NO |
| | A | 134940 |
| REV ZONE | REVISION RECORD | DATE |
| | | DFTR-ORIG |

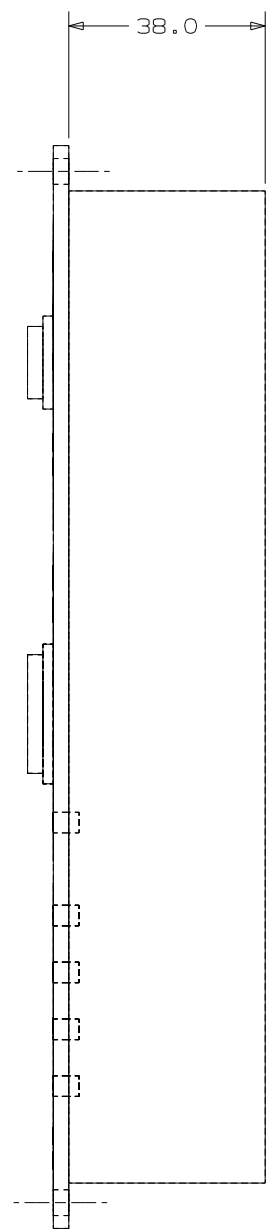
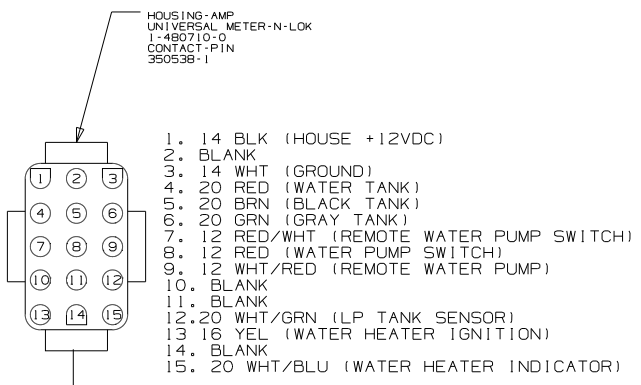
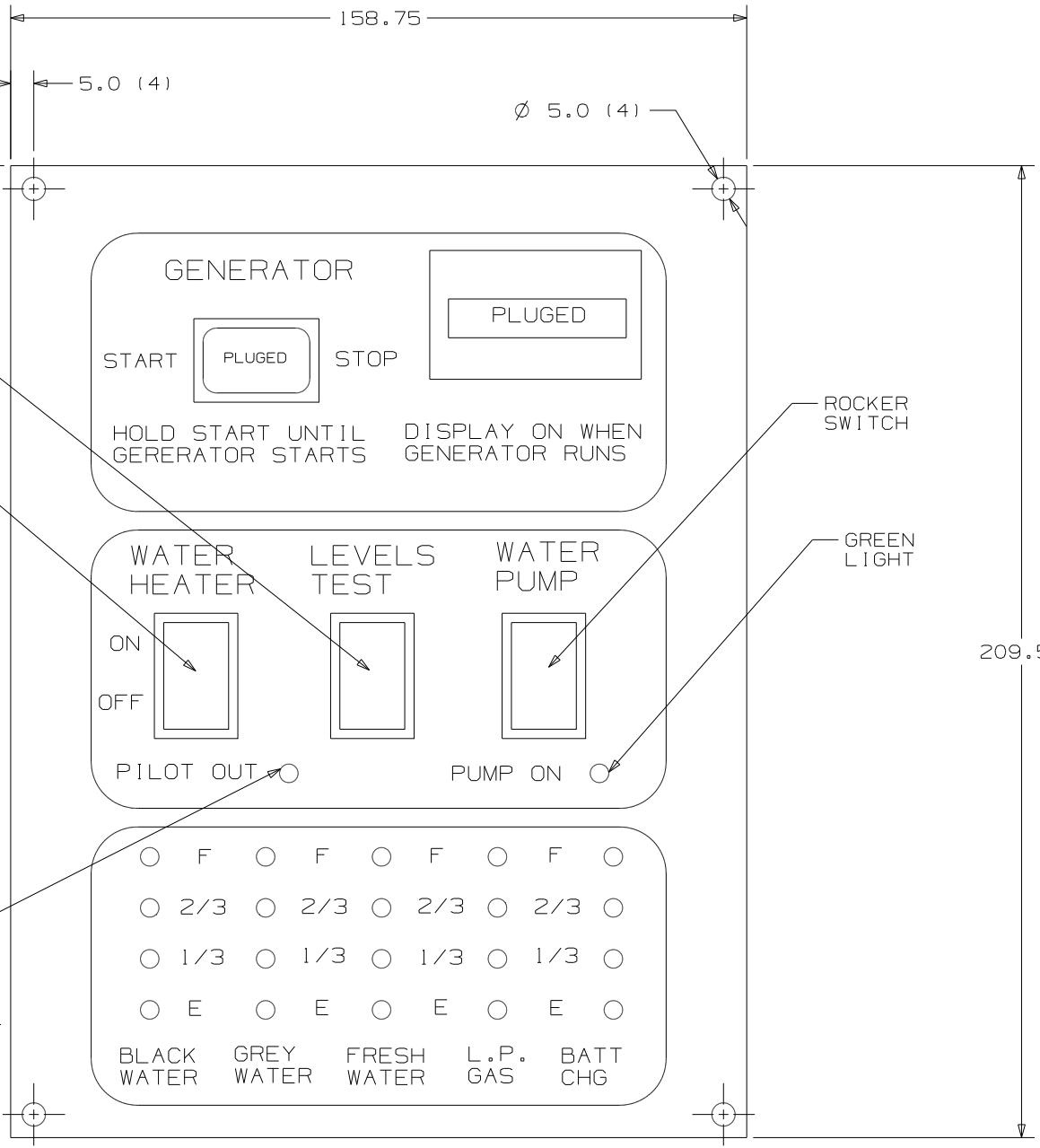


- NOTES:
1. SUGGESTED VENDOR: VENTLINE.
 2. BLACK PANEL WITH WHTIE GRAPHICS.
 3. LETTERS ON MAIN HEADING TO BE 5MM HIGH.
 4. CUTOUT 130 X 192.
 5. SWITCH RATING SHALL BE EMBOSSED ON THE SIDE OF THE 12V SWTICHES.

WINNEBAGO COPYRIGHT 2007 WINNEBAGO INDUSTRIES, INC.

| | |
|-----------------------------|-----------------------------------|
| DFTR | ORIG. DATE |
| CHKR | ALL DIMENSIONS ARE IN MILLIMETERS |
| P.E. | |
| M.E. | FIRST USED |
| DSNR | 300 & F SER |
| UNSPECIFIED TOLERANCES ARE: | |
| WHOLE DIM (X) | : 1 |
| ONE-PLACE (X.X) | : 1.5 |
| TWO-PLACE (X.XX) | : 0.50 |
| ANGLE | : 1° |
| THIRD ANGLE PROJECTION | |
| DO NOT SCALE DRAWING | |
| TITLE: PANEL-MONITOR 2-TANK | |
| SHEET 1 OF 14 | PART NO 134940 |
| REF: | 1 7/10/2007 |

SEE CHART
FOR COLOR VARIATIONS OF THIS PART



209.55

| | | |
|------------|----------------------|-----|
| FIRST USED | 300 & F SER | |
| TITLE | DO NOT SCALE DRAWING | |
| | PANEL-MONITOR 2-TANK | |
| SHEET 2 | PART NO 134940 | REV |

HOUSING-AMP
(UNIVERSAL-MATE-N-LOK)
1-480698-0
PIN
350538-0

HOUSING-AMP
(UNIVERSAL-MATE-N-LOK)
1-480699-0
SOCKET
350537-1

PIN #
1-16 BLK
2-16 RED

PIN #
1-16 GRN
2-16 RED

HOUSING-AMP
(UNIVERSAL-MATE-N-LOK)
1-480702-0
CONTACT-PIN
380538-1

PIN #
1-16 RED GENERATOR METER (+)
2-16 YEL GENERATOR START
3-16 BRN GENERATOR STOP
4-16 BLK GENERATOR (-)

HOUSING-AMP
(UNIVERSAL-METER-N-LOK)
1-480710-0
CONTACT-PIN
350538-1

1. 14 BLK (HOUSE +12VDC)
2. BLANK
3. 14 WHT (GROUND)
4. 20 RED (WATER TANK)
5. 20 BRN (BLACK TANK)
6. 20 GRN (GRAY TANK)
7. 12 RED/WHT (REMOTE WATER PUMP SWITCH)
8. 12 RED (WATER PUMP SWITCH)
9. 12 WHT/RED (REMOTE WATER PUMP)
10. BLANK
11. BLANK
12. 20 WHT/GRN (LP TANK SENSOR)
13. 16 YEL (WATER HEATER IGNITION)
14. BLANK
15. 20 WHT/BLU (WATER HEATER INDICATOR)

SOLAR CHARGING
○
WHEN LIT

HOLD STAT UNTIL GENERATOR STARTS
START
STOP
HOBBS
○
DISPLAY ON WHEN GENERATOR RUNS

WATER HEATER ON OFF
LEVELS TEST
WATER PUMP
PILOT OUT ○
PUMP ON ○

○ F ○ F ○ F ○ F ○
○ 2/3 ○ 2/3 ○ 2/3 ○ 2/3 ○
○ 1/3 ○ 1/3 ○ 1/3 ○ 1/3 ○
○ E ○ E ○ E ○ E ○
BLACK GREY FRESH L.P. BATT
WATER WATER WATER GAS CHG

SPRING
ROCKER
SWITCH

Ø 5.0 (4)

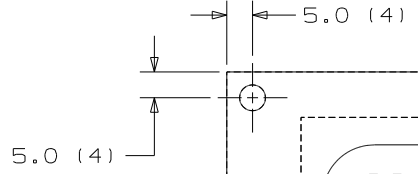
ROCKER
SWITCH

GREEN
LIGHT

GREEN
LIGHTED
ROCKER
SWITCH

RED
LIGHT

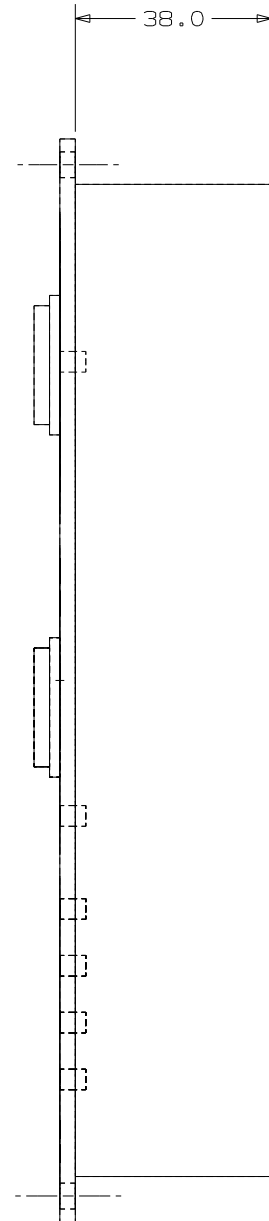
SPRING
ROCKER
SWITCH



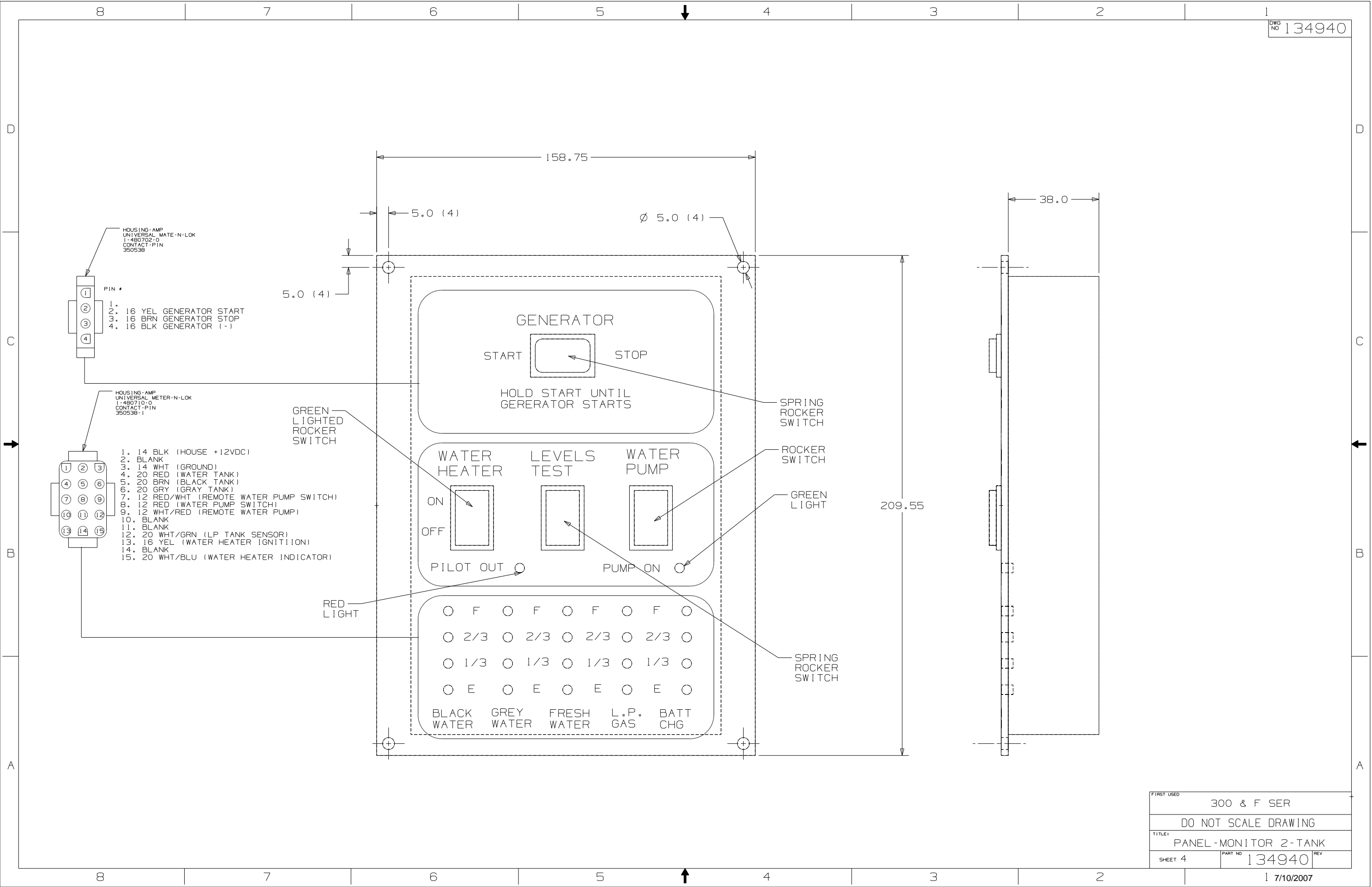
209.55

158.75

38.0



| | | | |
|------------|----------------------|--------|-----|
| FIRST USED | 300 & F SER | | |
| TITLE | DO NOT SCALE DRAWING | | |
| | PANEL-MONITOR 2-TANK | | |
| SHEET 3 | PART NO | 134940 | REV |



HOUSING-AMP
UNIVERSAL MATE-N-LOK
1-480702-0
CONTACT-PIN
350538

PIN #

1. 16 YEL GENERATOR START
2. 16 BRN GENERATOR STOP
3. 16 BLK GENERATOR (-)

HOUSING-AMP
UNIVERSAL METER-N-LOK
1-480710-0
CONTACT-PIN
350538-1

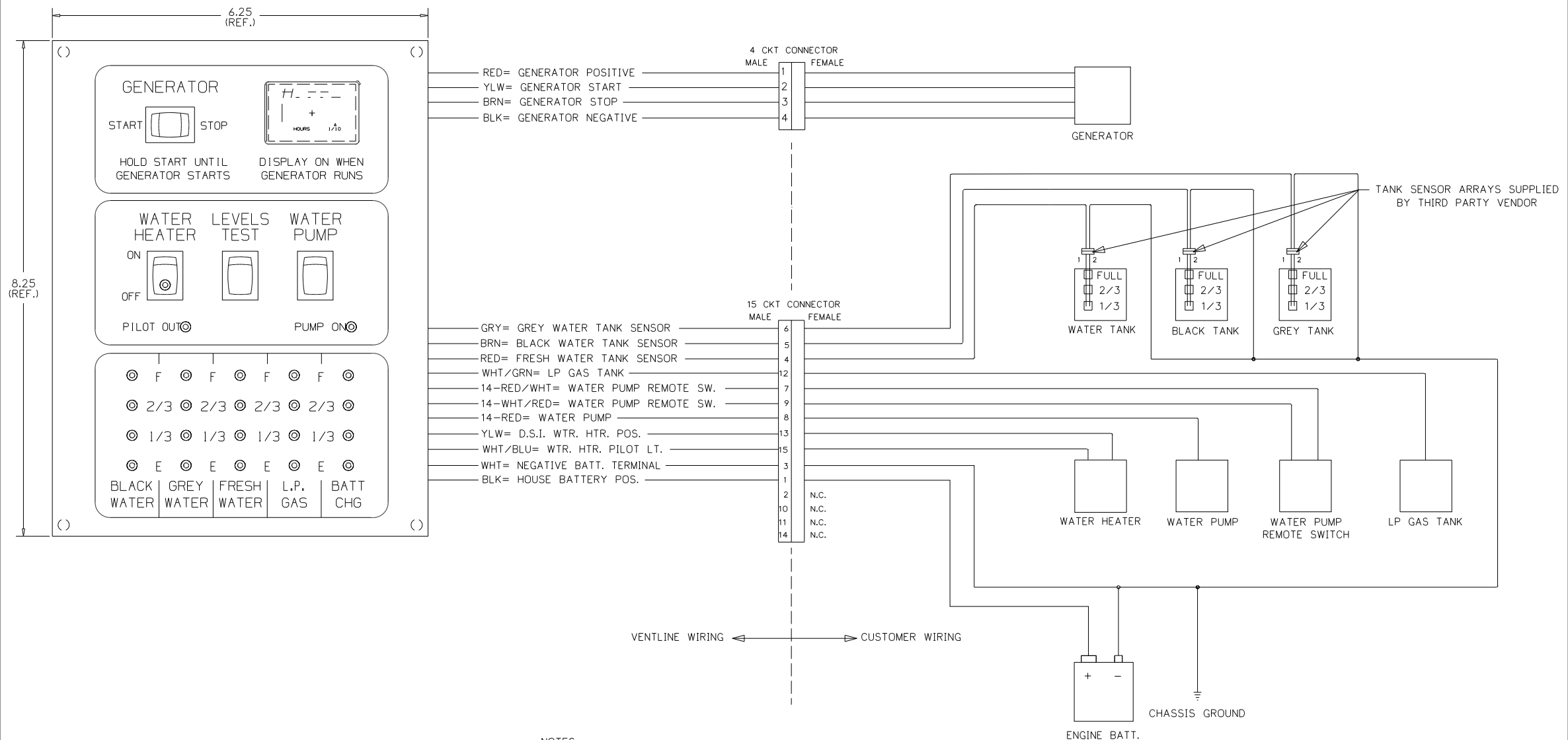
1. 14 BLK (HOUSE +12VDC)
2. BLANK
3. 14 WHT (GROUND)
4. 20 RED (WATER TANK)
5. 20 BRN (BLACK TANK)
6. 20 GRN (GRAY TANK)
7. 12 RED/WHT (REMOTE WATER PUMP SWITCH)
8. 12 RED (WATER PUMP SWITCH)
9. 12 WHT/RED (REMOTE WATER PUMP)
10. BLANK
11. BLANK
12. 20 WHT/GRN (LP TANK SENSOR)
13. 16 YEL (WATER HEATER IGNITION)
14. BLANK
15. 20 WHT/BLU (WATER HEATER INDICATOR)

| | | | |
|------------|----------------------|--------|-----|
| FIRST USED | 300 & F SER | | |
| TITLE | DO NOT SCALE DRAWING | | |
| | PANEL-MONITOR 2-TANK | | |
| SHEET 4 | PART NO | 134940 | REV |

THIS DOCUMENT, INCLUDING ALL INFORMATION CONTAINED HEREIN IS THE EXCLUSIVE AND CONFIDENTIAL PROPERTY OF VENTLINE DIVISION OF TOMKINS INDUSTRIES, INC. THE DOCUMENT AND INFORMATION ARE NOT TO BE COPIED, REPRODUCED OR DELIVERED TO OTHERS, IN WHOLE OR IN PART, WITHOUT THE EXPRESS WRITTEN PERMISSION OF VENTLINE DIVISION OF TOMKINS INDUSTRIES, INC. VENTLINE DIVISION OF TOMKINS INDUSTRIES, INC. HAS RESERVED THE RIGHT TO REVISION WITHOUT NOTICE.

| LTR. | DESCRIPTION | DATE | CHK. BY | APP. BY |
|------|---|---------|---------|---------|
| REL | RELEASED TO PURCHASING & PRODUCTION ECN 16261 | 12/3/03 | MPR | MPR |
| A | SEE SHEET 2 ECN 16381 | 4-6-04 | R.L. | R.L. |
| A | SEE SHEET 2 ECN 16394 | 4-21-04 | R.L. | R.L. |

LA1071-00
PAGE 1 OF 2



- NOTES:**
- UNLESS OTHERWISE SPECIFIED ALL WIRE IS 22 AWG.
 - REF. DWG'S:
GENERATOR HARNESS= L7751-00
INTERNAL & SWITCH HARNESS= L7752-00
PCB= L5131-02
TEST HARNESS= L7753-00
TEST BOX= L8506-00
 - ALL PIGTAILS TO BE SUPPLIED BY CUSTOMER.
 - BEFORE PACKING, SECURE HARNESS WITH VDO169-00 TIE WRAP ON RIGHT SIDE POST.

ENGLISH (TOLERANCE UNLESS SPECIFIED)
0 PL: ±.040 1 PL: ±.020
2 PL: ±.010 3 PL: ±.005
FRACTIONS ± 1/64

| PART NO. | REV'D | MATERIAL | DESCRIPTION | QTY |
|----------|-------|----------|-------------|-----|
| | | | | |
| | | | | |
| | | | | |

BLANK SIZE USED ON WINNEBAGO

DRAWN DATE MATERIAL MPR 12/3/03 SEE BOM PAGE 2 PHILIPS IND. INC. VENTLINE DIVISION BRISTOL, INDIANA 46507

CHECKED DATE NAME MPR 12/3/03 SCALE: NONE

APPV'D DATE DATE

FUNCTION DRAWING MONITOR PANEL LA1071-00

| | |
|------------|---------------------------------------|
| FIRST USED | 05 D SEIRES |
| TITLE | DO NOT SCALE DRAWING PANEL-MONITOR |
| SHEET 5 | PART NO 134940 REV |

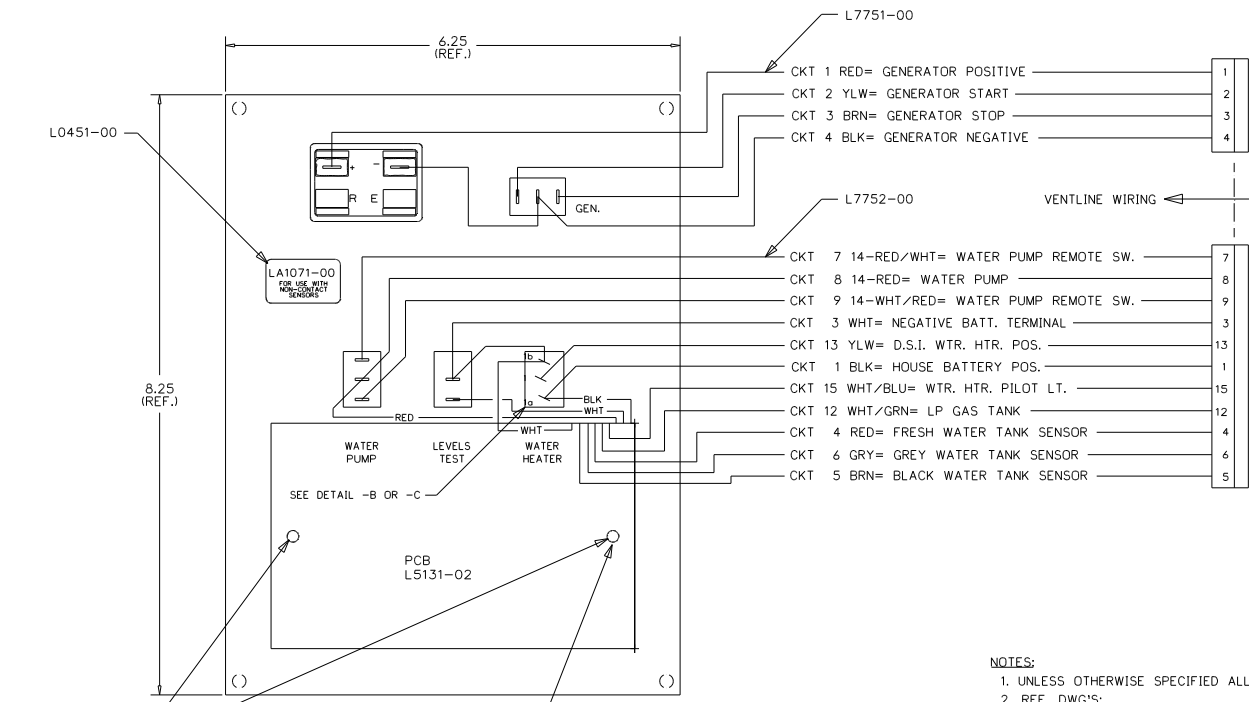
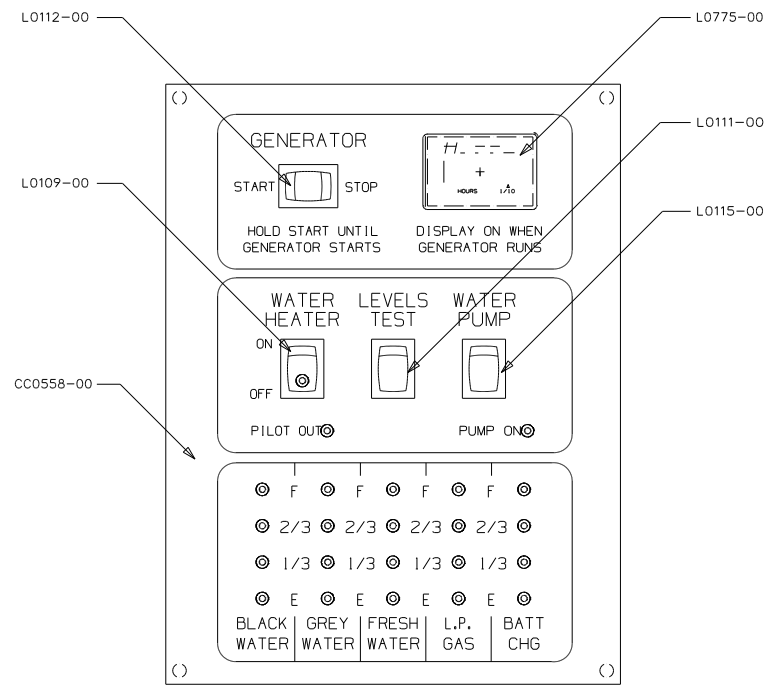
CONFIDENTIAL
 THIS DOCUMENT, INCLUDING ALL INFORMATION CONTAINED HEREIN IS THE EXCLUSIVE AND CONFIDENTIAL PROPERTY OF VENTLINE DIVISION OF TOMKINS INDUSTRIES, INC. THE DOCUMENT AND INFORMATION ARE NOT TO BE COPIED, REPRODUCED OR DELIVERED TO OTHERS, IN WHOLE OR IN PART, WITHOUT THE EXPRESS WRITTEN PERMISSION OF VENTLINE. THE DOCUMENT IS TO BE RETURNED PROMPTLY TO VENTLINE AFTER HAVING SERVED THE PURPOSE FOR WHICH DELIVERED.
 ©1995 VENTLINE DIVISION, TOMKINS INDUSTRIES, INC.
 All Rights Reserved, including the right to reproduce this document or any part thereof.

LA1071-00
 PAGE 2 OF 2

LA1071-00
 FOR USE WITH
 NON-CONTACT
 SENSORS
 (MFG DATE)

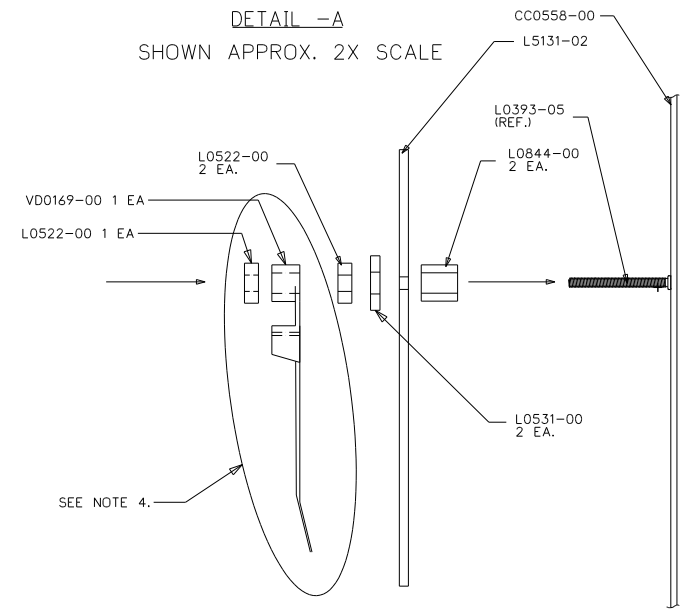
PRODUCT LABEL
 PRINTING DETAIL
 NO SCALE

| LTR. | DESCRIPTION | DATE | CHK BY | CHK BY |
|------|--------------------------------------|---------|--------|--------|
| REL | RELEASED TO PURCHASING & PRODUCTION. | 12/3/03 | MPH | MPR |
| A | ADDED LABEL DETAIL ECN 16381 | 4-6-04 | R.L. | R.L. |
| B | L5131-02 WAS L5118-02 ECN 16394 | 4-21-04 | R.L. | R.L. |

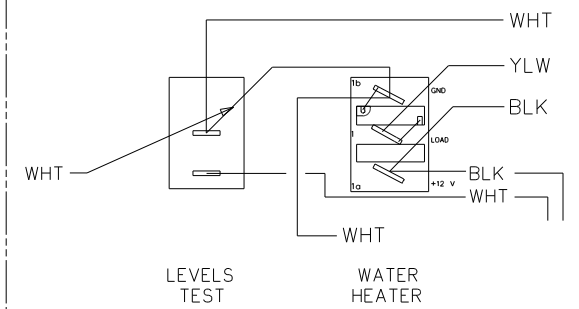


- NOTES:**
- UNLESS OTHERWISE SPECIFIED ALL WIRE IS 22 AWG.
 - REF. DWG'S:
 GENERATOR HARNESS= L7751-00
 INTERNAL & SWITCH HARNESS= L7752-00
 PCB= L5131-02
 TEST HARNESS= L7753-00
 TEST BOX= L8506-00
 - ALL PIGTAILS TO BE SUPPLIED BY CUSTOMER.
 - BEFORE PACKING, SECURE HARNESS WITH V00169-00 TIE WRAP ON RIGHT SIDE POST.

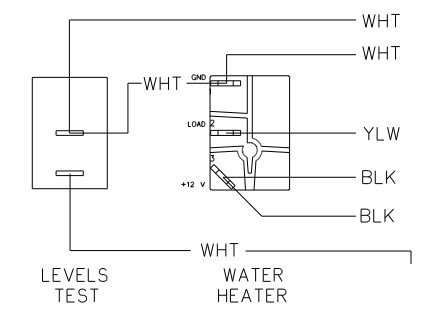
DETAIL -A
 SHOWN APPROX. 2X SCALE



DETAIL -B
 FOR L0109-00 "MARQUARDT"
 SHOWN APPROX. 2X SCALE



DETAIL -C
 FOR L0109-00 "CARLINGSWITCH"
 SHOWN APPROX. 2X SCALE



| PART NO. | REQ'D | MATERIAL | DESCRIPTION | DWG SIZE |
|-----------|-------|----------|-----------------------------------|----------|
| V00169-00 | 1 | | TIE WRAP | |
| L7752-00 | 1 | | HARNESS, INTERNAL & SWITCH | |
| L7751-00 | 1 | | HARNESS, GENERATOR | |
| L5131-02 | 1 | | PCB | |
| L0775-00 | 1 | | HOBBS HOUR METER | |
| L0531-00 | 2 | | FIBER WASHER | |
| L0522-00 | 3 | | HEX NUT, 6-32 | |
| L0451-00 | 1 | | LABEL - SEE PRINTING DETAIL ABOVE | |
| L0844-00 | 2 | | PCB SPACER | |
| L0115-00 | 1 | | SWITCH, SPDT ON-ON, BLK | |
| L0112-00 | 1 | | SWITCH, SPDT (ON-OFF-ON), BLK | |
| L0111-00 | 1 | | SWITCH, SPST MOM. (ON-OFF), BLK | |
| L0109-00 | 1 | | SWITCH, SPST ON-OFF, BLK, GRN LT. | |
| CC0558-00 | 1 | | SILKSCREENED CHASSIS | |

ENGLISH TOLERANCE UNLESS SPECIFIED
 0 PL.: .040 1 PL.: .020
 2 PL.: .010 3 PL.: .005
 FRACTIONS: 1/64

| BLANK SIZE | DATE | MATERIAL | USED ON | WINNEBAGO |
|--------------|----------|----------------|---------|-----------|
| MPR 11/20/03 | 11/20/03 | SEE BOM PAGE 2 | | |
| MPR 11/20/03 | 11/20/03 | | | |

PHILIPS IND. INC.
 VENTLINE DIVISION
 BRISTOL, INDIANA 46507

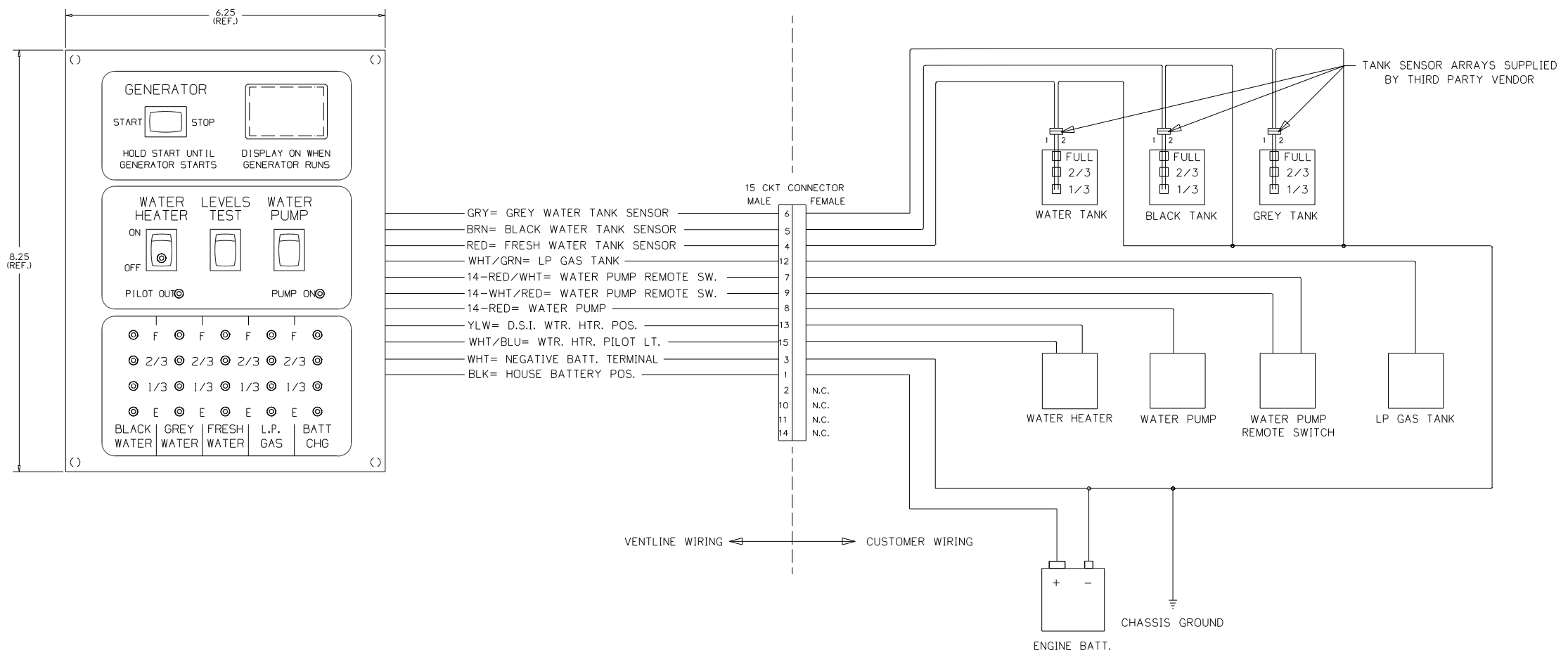
SCALE: NONE
 DWG. NO. PAGE 2 OF 2
 FUNCTION DRAWING, MONITOR PANEL LA1071-00

| | |
|------------|----------------------|
| FIRST USED | 05 D SEIRES |
| TITLE: | DO NOT SCALE DRAWING |
| | PANEL - MONITOR |
| SHEET 6 | PART NO 134940 REV |

CONFIDENTIAL
 THIS DOCUMENT, INCLUDING ALL INFORMATION CONTAINED HEREIN, IS THE EXCLUSIVE AND CONFIDENTIAL PROPERTY OF VENTLINE DIVISION OF TOWNS INDUSTRIES, INC. THE DOCUMENT AND INFORMATION ARE NOT TO BE COPIED, REPRODUCED OR DELIVERED TO OTHERS, IN WHOLE OR IN PART, WITHOUT THE EXPRESS WRITTEN PERMISSION OF VENTLINE. THE DOCUMENT IS TO BE RETURNED PROMPTLY TO VENTLINE AFTER HAVING SERVED THE PURPOSE FOR WHICH DELIVERED.
 ©2005 VENTLINE DIVISION, TOWNS INDUSTRIES, INC.
 All Rights Reserved, including the right to reproduce this document or any part thereof.

LA1073-00
 PAGE 1 OF 2

| LTR. | DESCRIPTION | DATE | CHK'D BY | CHK'D BY |
|------|-------------------------------------|---------|----------|----------|
| REL | RELEASED TO PURCHASING & PRODUCTION | 12/3/03 | MPP | MPP |
| A | SEE SHEET 2 ECN 16381 | 4-6-04 | R.J.L. | R.J.L. |
| B | L5131-02 WAS L5118-02 ECN 16394 | 4-21-04 | R.J.L. | R.J.L. |



- NOTES:**
- UNLESS OTHERWISE SPECIFIED ALL WIRE IS 22 AWG.
 - REF. DWG.'S:
 HARNESS, INTERNAL & SWITCH= L7752-00
 PCB= L5131-02
 HARNESS, TEST= L7753-00
 TEST BOX= L8506-00
 - ALL PIGTAILS TO BE SUPPLIED BY CUSTOMER.
 - BEFORE PACKING, SECURE HARNESS WITH VD0169-00 TIE WRAP ON RIGHT SIDE POST.

ENGLISH TOLERANCE UNLESS SPECIFIED
 0 PL.: .040 1 PL.: .020
 2 PL.: .010 3 PL.: .005
 FRACTIONS: 1/64

| PART NO. | REQ'D | MATERIAL | DESCRIPTION | DWG SIZE |
|------------|----------|----------------|-------------------|----------|
| BLANK SIZE | | | USED ON WINNEBAGO | |
| DRAWN | DATE | MATERIAL | | |
| MPR | 11/21/03 | SEE BOM PAGE 2 | | |
| CHECKED | DATE | NAME | | |
| MPR | 11/21/03 | | | |
| APPR'D | DATE | | | |

FUNCTION DRAWING,
 MONITOR PANEL
 LA1073-00

| | |
|------------|----------------------|
| FIRST USED | 05 D SERIES |
| TITLE | DO NOT SCALE DRAWING |
| TITLE | PANEL - MONITOR |
| SHEET 7 | PART NO 134940 REV |

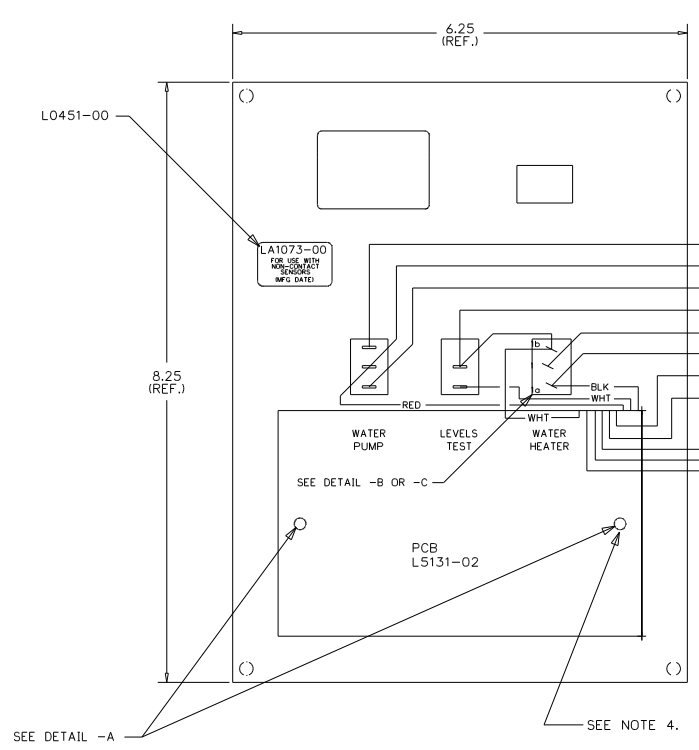
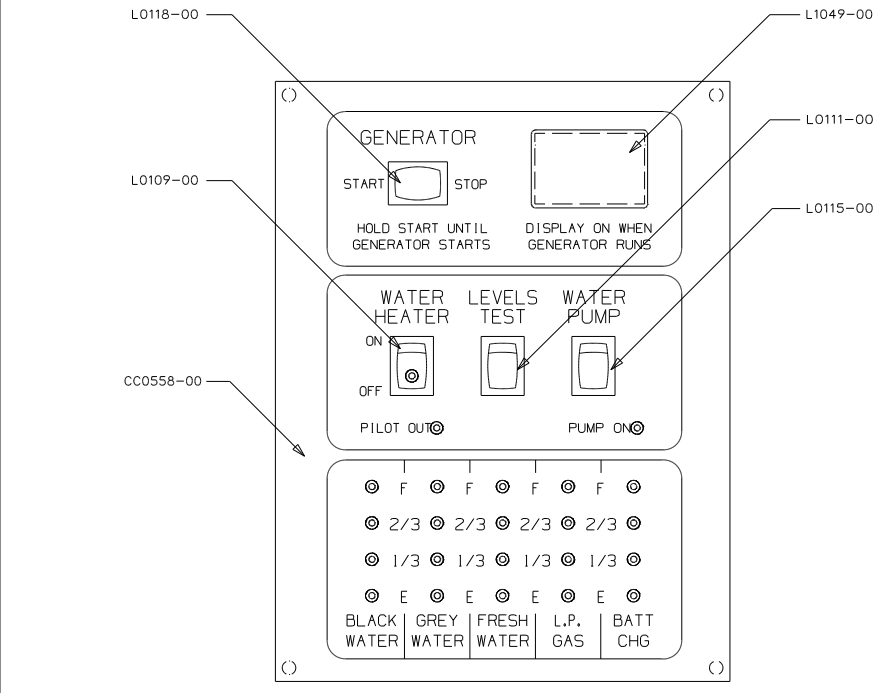
CONFIDENTIAL
 THIS DOCUMENT, INCLUDING ALL INFORMATION CONTAINED HEREIN IS THE EXCLUSIVE AND CONFIDENTIAL PROPERTY OF VENTLINE DIVISION OF TOMKINS INDUSTRIES, INC. THE DOCUMENT AND INFORMATION ARE NOT TO BE COPIED, REPRODUCED OR DELIVERED TO OTHERS, IN WHOLE OR IN PART, WITHOUT THE EXPRESS WRITTEN PERMISSION OF VENTLINE. THE DOCUMENT IS TO BE RETURNED PROMPTLY TO VENTLINE AFTER HAVING SERVED THE PURPOSE FOR WHICH DELIVERED.
 ©1995 VENTLINE DIVISION, TOMKINS INDUSTRIES, INC.
 All Rights Reserved, including the right to reproduce this document or any part thereof.

LA1073-00
 PAGE 2 OF 2

| LTR. | DESCRIPTION | DATE | CHK. BY | APP. BY |
|------|---|---------|---------|---------|
| REL. | RELEASED TO PURCHASING & PRODUCTION ECN 16261 | 12/3/03 | MPP | MPP |
| A | ADDED LABEL DETAIL ECN 16381 | 4-6-04 | R.J. | R.J. |
| B | L5131-02 WAS L5118-02 ECN 16394 | 4-21-04 | R.J. | R.J. |

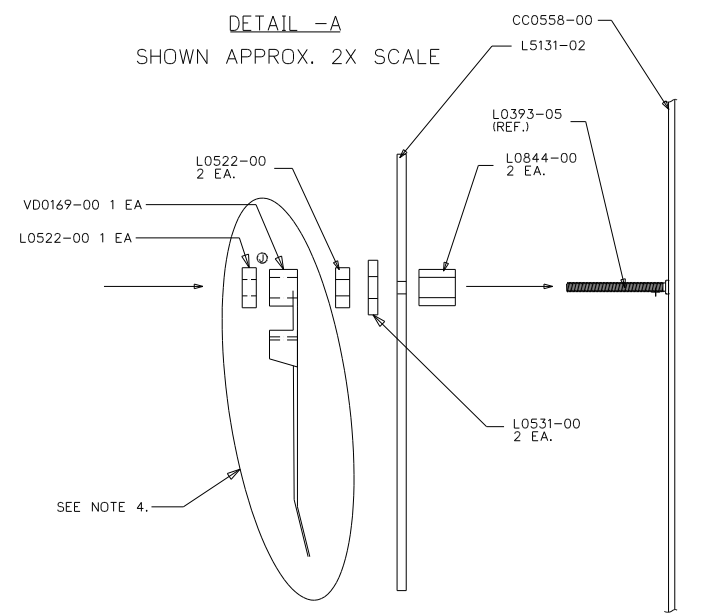
LA1073-00
 FOR USE WITH
 NON-CONTACT
 SENSORS
 (MFG DATE)

PRODUCT LABEL
 PRINTING DETAIL
 NO SCALE

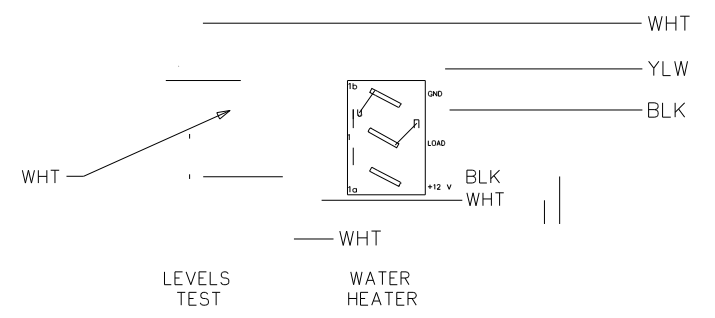


| CTK | WIRE COLOR | FUNCTION | TERMINAL |
|-----|------------|-------------------------|----------|
| 7 | 14-RED/WHT | WATER PUMP REMOTE SW. | 7 |
| 8 | 14-RED | WATER PUMP | 8 |
| 9 | 14-WHT/RED | WATER PUMP REMOTE SW. | 9 |
| 3 | WHT | NEGATIVE BATT. TERMINAL | 3 |
| 13 | YLR | D.S.I. WTR. HTR. POS. | 13 |
| 1 | BLK | HOUSE BATTERY POS. | 1 |
| 15 | WHT/BLU | WTR. HTR. PILOT LT. | 15 |
| 12 | WHT/GRN | LP GAS TANK | 12 |
| 4 | RED | FRESH WATER TANK SENSOR | 4 |
| 6 | GRY | GREY WATER TANK SENSOR | 6 |
| 5 | BRN | BLACK WATER TANK SENSOR | 5 |

DETAIL -A
 SHOWN APPROX. 2X SCALE



DETAIL -B
 SHOWN APPROX. 2X SCALE



- NOTES:**
- UNLESS OTHERWISE SPECIFIED ALL WIRE IS 22 AWG.
 - REF. DWG.'S:
 HARNESS, INTERNAL & SWITCH= L7752-00
 PCB= L5131-02
 HARNESS, TEST= L7753-00
 TEST BOX= L8504-00
 - ALL PIGTAILS TO BE SUPPLIED BY CUSTOMER.
 - BEFORE PACKING, SECURE HARNESS WITH V0169-00 TIE WRAP ON RIGHT SIDE POST.

| PART NO. | QTY | MATERIAL | DESCRIPTION | DWG SIZE |
|-----------|-----|----------|-----------------------------------|----------|
| V0169-00 | 1 | | TIE WRAP WITH POST HOLE | |
| L7752-00 | 1 | | HARNESS, INTERNAL & SWITCH | |
| L5131-02 | 1 | | PCB | |
| L1049-00 | 1 | | HOLE PLUG | |
| L0531-00 | 4 | | FIBER WASHER | |
| L0522-00 | 3 | | HEX NUT, 6-32 | |
| L0451-00 | 1 | | LABEL | |
| L0844-00 | 2 | | PCB SPACER | |
| L0118-00 | 1 | | SWITCH, DUMMY | |
| L0115-00 | 1 | | SWITCH, SPDT ON-ON, BLK | |
| L0111-00 | 1 | | SWITCH, SPST MOM. ION-OFF, BLK | |
| L0109-00 | 1 | | SWITCH, SPST ON-OFF, BLK, GRN LT. | |
| CC0558-00 | 1 | | SILKSCREENED CHASSIS | |

| BLANK SIZE | DATE | MATERIAL | USED ON | WINNEBAGO |
|------------|----------|----------|---------|-----------|
| DRAWN | 11/21/03 | | | |
| CHECKED | 11/21/03 | | | |
| APP'D | | | | |

SCALE: NONE
 FUNCTION DRAWING, MONITOR PANEL
 DWG. NO. PAGE 2 OF 2
 LA1073-00

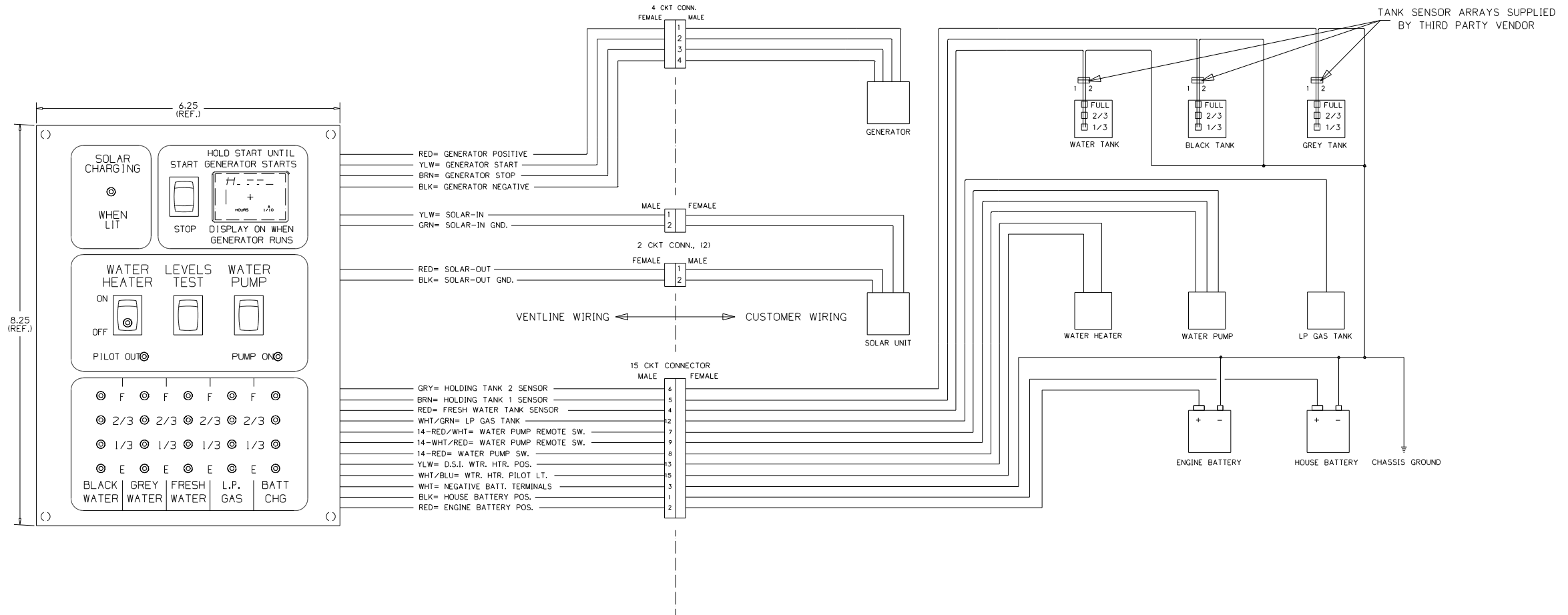
ENGLISH (TOLERANCE UNLESS SPECIFIED)
 0 PL: ±.040 1 PL: ±.020
 2 PL: ±.010 3 PL: ±.005
 FRACTIONS ±1/64

| | |
|------------|----------------------|
| FIRST USED | 05 D SERIES |
| TITLE | DO NOT SCALE DRAWING |
| TITLE | PANEL - MONITOR |
| SHEET 8 | PART NO 134940 REV |
| | 1 7/10/2007 |

CONFIDENTIAL
THIS DOCUMENT, INCLUDING ALL INFORMATION CONTAINED HEREIN IS THE EXCLUSIVE AND CONFIDENTIAL PROPERTY OF VENTLINE DIVISION OF TOMKINS INDUSTRIES, INC. THE DOCUMENT AND INFORMATION ARE NOT TO BE COPIED, REPRODUCED OR DELIVERED TO OTHERS, IN WHOLE OR IN PART, WITHOUT THE EXPRESS WRITTEN PERMISSION OF VENTLINE. THE DOCUMENT IS TO BE RETURNED PROMPTLY TO VENTLINE AFTER HAVING SERVED THE PURPOSE FOR WHICH DELIVERED.
© 1995 VENTLINE DIVISION, TOMKINS INDUSTRIES, INC.
All Rights Reserved, including the right to reproduce this document or any part thereof.

LA1074-00
PAGE 1 OF 2

| LTR. | DESCRIPTION | DATE | BY | CHK'D |
|------|--|---------|-----|-------|
| REL | RELEASED TO PURCHASING & PRODUCTION. ECN 16261 | 12/3/03 | MPR | MPR |
| A | SEE SHEET 2 ECN 16381 | 4-6-04 | RJL | RJL |
| B | L5131-02 WAS L5118-02 ECN 16394 | 4-21-04 | RJL | RJL |



- NOTES:**
- UNLESS OTHERWISE SPECIFIED ALL WIRE IS 22 AWG.
 - REF. DWG.'S:
HARNESS, INTERNAL & SWITCH= L7752-00
HARNESS, GEN. INTERNAL & SWITCH= L7786-00
HARNESS, SOLAR LIGHT= L7722-00
PCB= L5131-02
HARNESS, TEST= L7753-00
TEST BOX= L8506-00
 - ALL PIGTAILS TO BE SUPPLIED BY CUSTOMER.
 - BEFORE PACKING, SECURE HARNESS WITH VDO169-00 TIE WRAP ON RIGHT SIDE POST.

ENGLISH TOLERANCE UNLESS SPECIFIED
0 PL.:.040 1 PL.:.020
2 PL.:.010 3 PL.:.005
FRACTIONS 1/64

| PART NO. | REV'D | MATERIAL | DESCRIPTION | DWG SIZE |
|----------|-------|----------|-------------|----------|
| | | | | |
| | | | | |
| | | | | |
| | | | | |

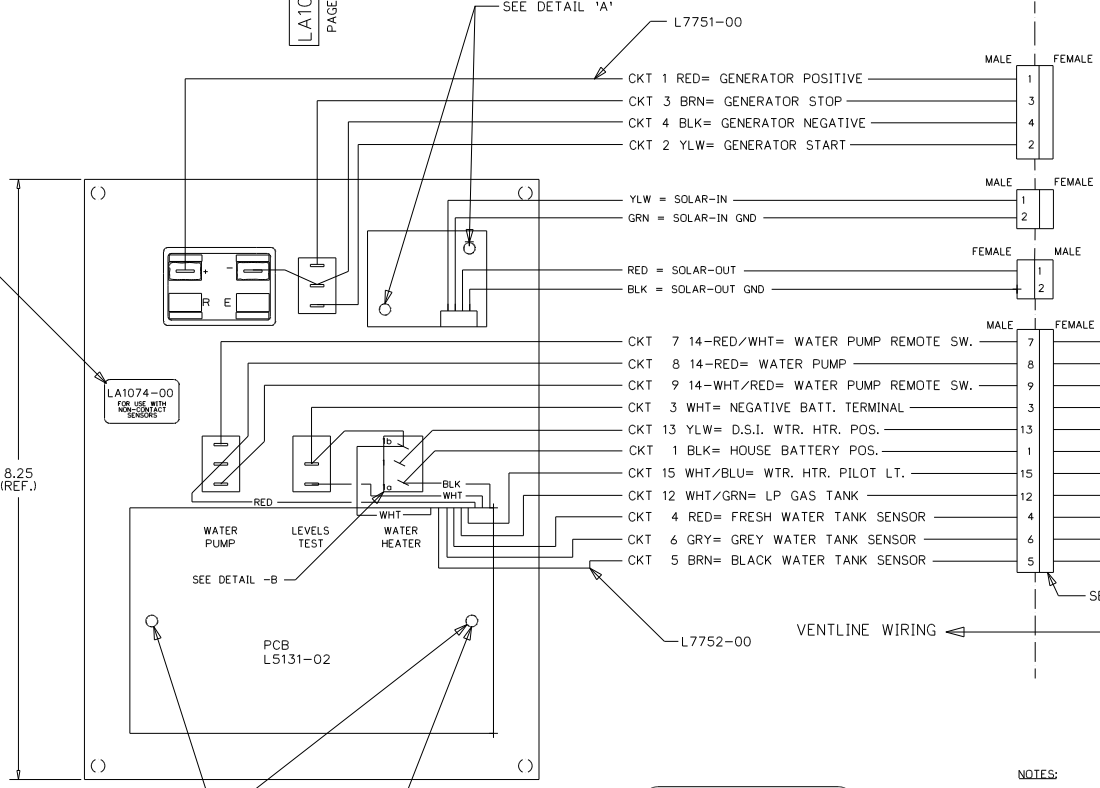
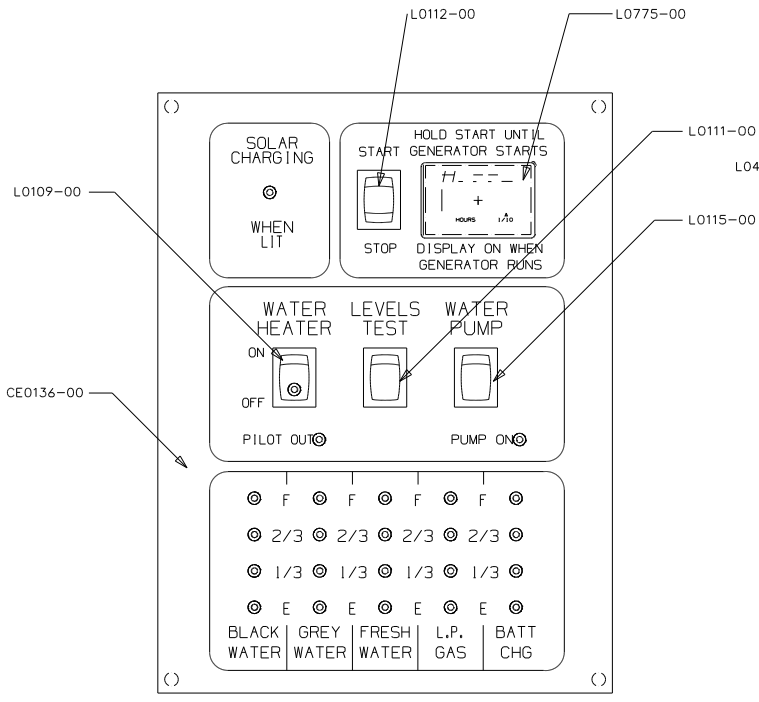
DRAWN DATE MATERIAL USED WINNEBAGO
 MPR 11/21/03 SEE BOM PAGE 2
 CHECKED DATE NAME
 MPR 11/21/03
 APPV'D DATE
 FUNCTION DRAWING, MONITOR PANEL
 PHILIPS IND. INC. VENTLINE DIVISION BRISTOL, INDIANA 46507
 SCALES: NONE
 DWG. NO. PAGE 1 OF 2 LA1074-00

| | |
|------------|----------------------|
| FIRST USED | 05 D SERIES |
| TITLE: | DO NOT SCALE DRAWING |
| | PANEL - MONITOR |
| SHEET 9 | PART NO 134940 REV |
| | 1 7/10/2007 |

CONFIDENTIAL
 THIS DOCUMENT, INCLUDING ALL INFORMATION CONTAINED HEREIN, IS THE EXCLUSIVE AND CONFIDENTIAL PROPERTY OF VENTLINE DIVISION OF TOMKINS INDUSTRIES, INC. THE DOCUMENT AND INFORMATION ARE NOT TO BE COPIED, REPRODUCED OR DELIVERED TO OTHERS, IN WHOLE OR IN PART, WITHOUT THE EXPRESS WRITTEN PERMISSION OF VENTLINE. THE DOCUMENT IS TO BE RETURNED PROMPTLY TO VENTLINE AFTER HAVING SERVED THE PURPOSE FOR WHICH DELIVERED.
 ©1995 VENTLINE DIVISION, TOMKINS INDUSTRIES, INC.
 All Rights Reserved, including the right to reproduce this document or any part thereof.

LA1074-00
 PAGE 2 OF 2

| LTR. | DESCRIPTION | DATE | BY | CHK. |
|------|-------------------------------------|---------|------|------|
| REL | RELEASED TO PURCHASING & PRODUCTION | 12/3/03 | MPPR | MPPR |
| A | ADDED LABEL DETAIL ECN 16381 | 4-6-04 | R.L. | R.L. |
| B | L5131-02 WAS L5118-02 ECN 16394 | 4-21-04 | R.L. | R.L. |

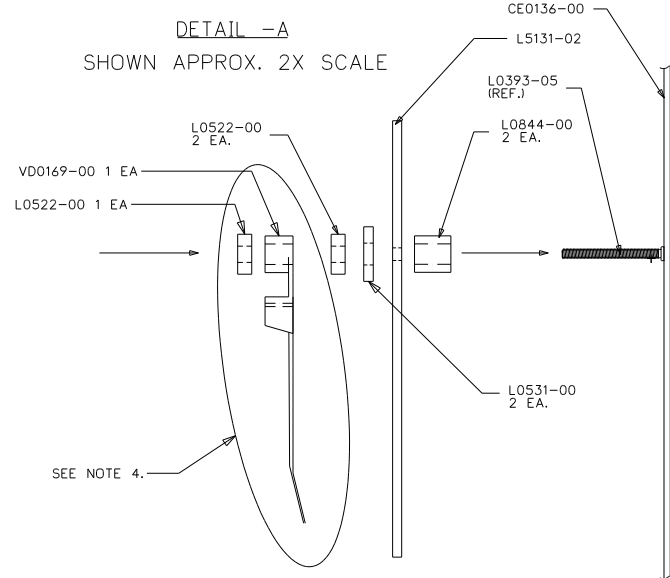


LA1074-00
 FOR USE WITH
 NON-CONTACT
 SENSORS
 (MFG DATE)

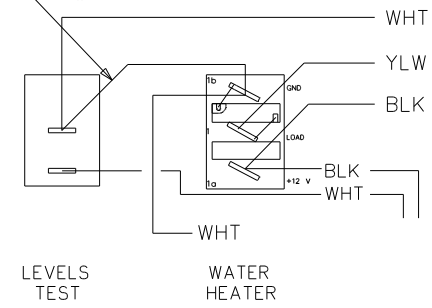
PRODUCT LABEL
 PRINTING DETAIL
 NO SCALE

- NOTES:
- UNLESS OTHERWISE SPECIFIED ALL WIRE IS 22 AWG.
 - REF. DWG.'S:
 HARNESS, INTERNAL & SWITCH= L7752-00
 HARNESS, GEN. INTERNAL & SWITCH= L7786-00
 HARNESS, SOLAR LIGHT= L7722-00
 PCB= L5131-02
 HARNESS, TEST= L7753-00
 TEST BOX= L8506-00
 - ALL PIGTAILS TO BE SUPPLIED BY CUSTOMER.
 - BEFORE PACKING, SECURE HARNESS WITH V00169-00 TIE WRAP ON RIGHT SIDE POST.

DETAIL -A
 SHOWN APPROX. 2X SCALE



DETAIL -B
 SHOWN APPROX. 2X SCALE



| PART NO. | REQ'D | MATERIAL | DESCRIPTION | DWG SIZE |
|-----------|-------|----------|-----------------------------------|----------|
| V00169-00 | 1 | | TIE WRAP | |
| L7752-00 | 1 | | HARNESS, INTERNAL & SWITCH | |
| L7751-00 | 1 | | HARNESS, GENERATOR | |
| L7722-00 | 1 | | SOLAR LIGHT HARNESS | |
| L5121-01 | 1 | | SOLAR LIGHT PCB | |
| L5131-02 | 1 | | PCB | |
| L0775-00 | 1 | | HOBBS HOUR METER | |
| L0531-00 | 4 | | FIBER WASHER | |
| L0522-00 | 5 | | HEX NUT, 6-32 | |
| L0451-00 | 1 | | LABEL | |
| L0844-00 | 4 | | PCB SPACER | |
| L0115-00 | 1 | | SWITCH, SPDT ON-ON, BLK | |
| L0112-00 | 1 | | SWITCH, SPDT (ON-OFF-(ON), BLK | |
| L0111-00 | 1 | | SWITCH, SPST MOM. (ON-OFF, BLK | |
| L0109-00 | 1 | | SWITCH, SPST ON-OFF, BLK, GRN LT. | |
| CE0136-00 | 1 | | SILKSCREENED CHASSIS | |

ENGLISH TOLERANCE UNLESS SPECIFIED
 0 PL.: .040 1 PL.: .020
 2 PL.: .010 3 PL.: .005
 FRACTIONS 1/64

| BLANK SIZE | DATE | MATERIAL | USED ON | WINNEBAGO |
|------------|----------|----------|---------|-----------|
| DRAWN | 11/21/03 | SEE BOM | | |
| CHECKED | | | | |
| DATE | | | | |
| NAME | | | | |
| DATE | | | | |
| APP'VD | | | | |

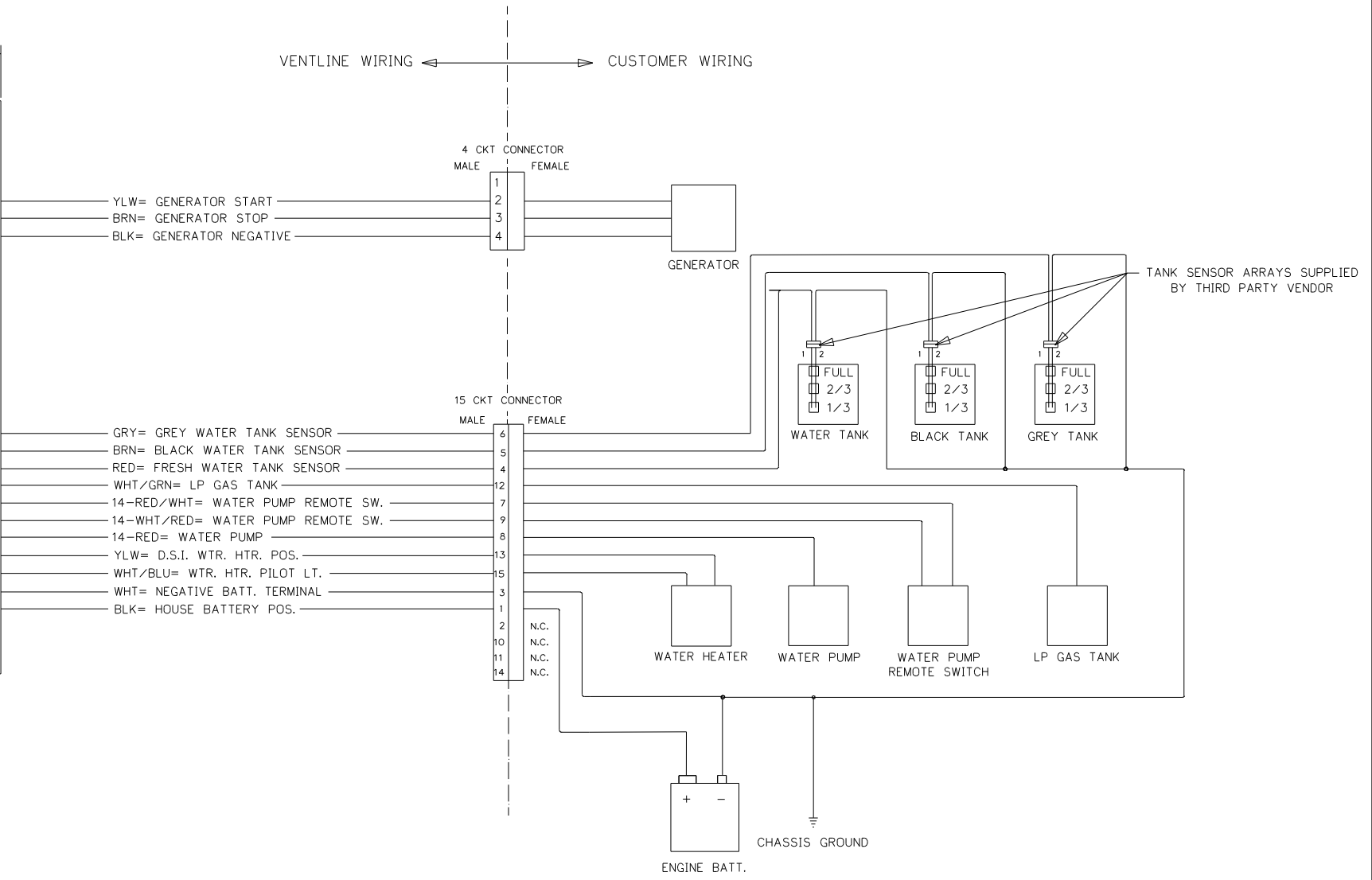
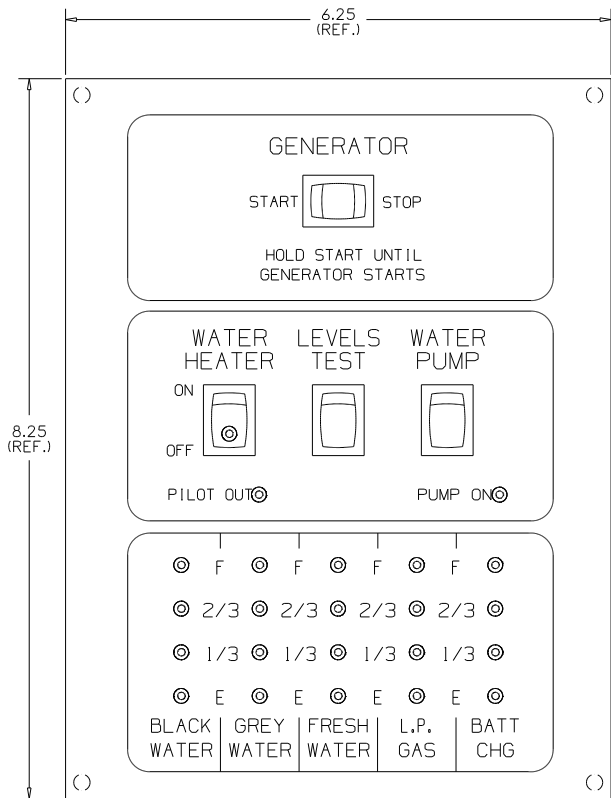
FUNCTION DRAWING, MONITOR PANEL
 SCALE: NONE
 DWG. NO. PAGE 2 OF 2
 LA1074-00

| | |
|------------|----------------------|
| FIRST USED | 05 D SERIES |
| TITLE: | DO NOT SCALE DRAWING |
| | PANEL - MONITOR |
| SHEET 10 | PART NO 134940 REV |

CONFIDENTIAL
 THIS DOCUMENT, INCLUDING ALL INFORMATION CONTAINED HEREIN, IS THE EXCLUSIVE AND CONFIDENTIAL PROPERTY OF VENTLINE DIVISION OF TOMKINS INDUSTRIES, INC. THE DOCUMENT AND INFORMATION ARE NOT TO BE COPIED, REPRODUCED OR DELIVERED TO OTHERS, IN WHOLE OR IN PART, WITHOUT THE EXPRESS WRITTEN PERMISSION OF VENTLINE. THE DOCUMENT IS TO BE RETURNED PROMPTLY TO VENTLINE AFTER HAVING SERVED THE PURPOSE FOR WHICH DELIVERED.
 ©2005 VENTLINE DIVISION, TOMKINS INDUSTRIES, INC.
 All Rights Reserved, including the right to reproduce this document or any part thereof.

LA1075-00
 PAGE 1 OF 2

| LTR. | DESCRIPTION | DATE | CHK. BY |
|------|---------------------------------------|---------|-----------|
| REL | RELEASED TO PURCHASING AND PRODUCTION | 12/3/03 | MPR/MPR |
| A | SEE SHEET 2 ECN 16381 | 4-6-04 | R.L. R.L. |
| B | L5131-02 WAS L5118-02 ECN 16394 | 4-21-04 | R.L. R.L. |



- NOTES:
- UNLESS OTHERWISE SPECIFIED ALL WIRE IS 22 AWG.
 - REF. DWG.'S:
 HARNESS, INTERNAL & SWITCH= L7752-00
 HARNESS, GEN. INTERNAL & SWITCH= L7786-00
 HARNESS, SOLAR LIGHT= L7722-00
 PCB= L5131-02
 HARNESS, TEST= L7753-00
 TEST BOX= L8506-00
 - ALL PIGTAILS TO BE SUPPLIED BY CUSTOMER.
 - BEFORE PACKING, SECURE HARNESS WITH VD0169-00 TIE WRAP ON RIGHT SIDE POST.

ENGLISH TOLERANCE UNLESS SPECIFIED:
 0 PL.: .040 1 PL.: .020
 2 PL.: .010 3 PL.: .005
 FRACTIONS ±1/64

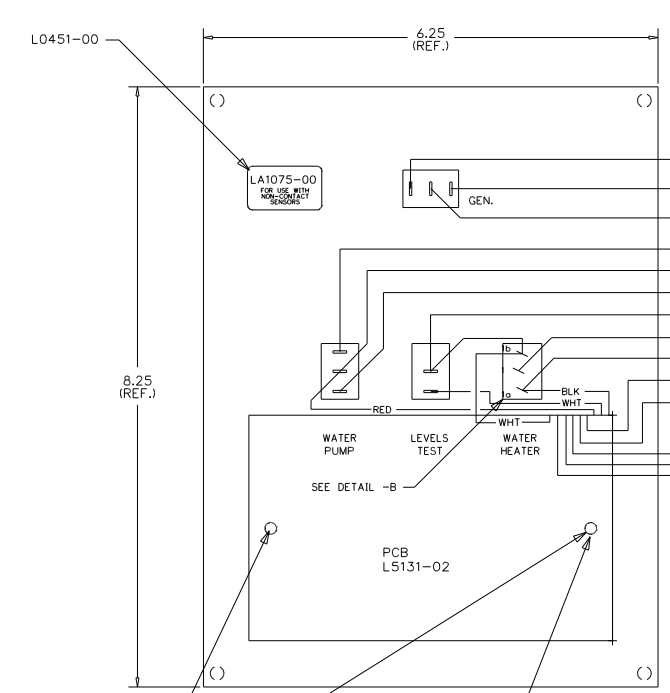
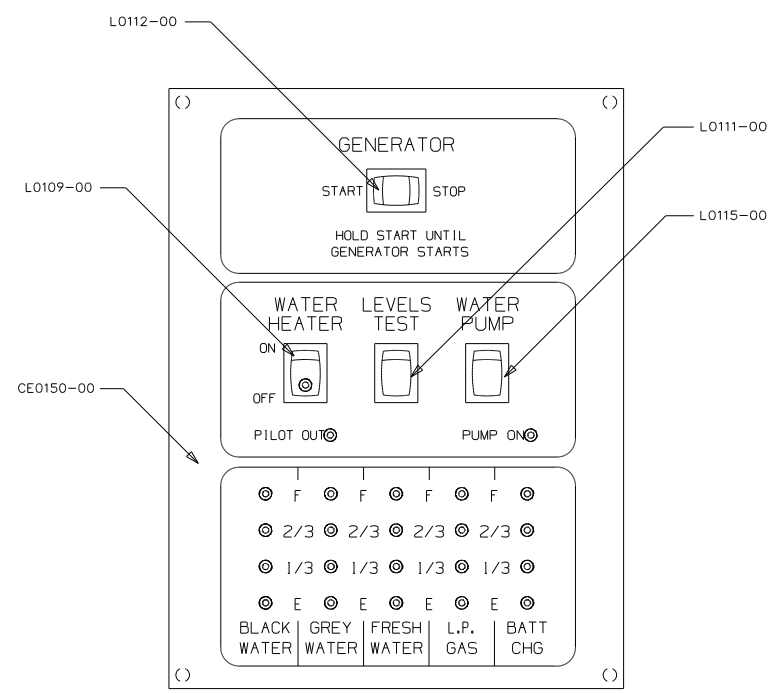
| PART NO. | REQ'D | MATERIAL | DESCRIPTION | DWG SIZE |
|--------------|-------|----------|----------------------|----------|
| BLANK SIZE | | | USED ON WINNEBAGO | |
| DRAWN | DATE | MATERIAL | SEE BOM PAGE 2 | |
| MPR 11/21/03 | | | | |
| CHECKED | DATE | NAME | SCALE: NONE | |
| MPR 11/21/03 | | | | |
| APPV'D | DATE | NAME | DWG. NO. PAGE 1 OF 2 | |
| | | | LA1075-00 | |

| | |
|------------|----------------------|
| FIRST USED | 06 500 SERIES |
| TITLE: | DO NOT SCALE DRAWING |
| | PANEL - MONITOR |
| SHEET 11 | PART NO 134940 REV |

CONFIDENTIAL
 THIS DOCUMENT, INCLUDING ALL INFORMATION CONTAINED HEREIN, IS THE EXCLUSIVE AND CONFIDENTIAL PROPERTY OF VENTLINE DIVISION OF TOMKINS INDUSTRIES, INC. THE DOCUMENT AND INFORMATION ARE NOT TO BE COPIED, REPRODUCED OR DELIVERED TO OTHERS, IN WHOLE OR IN PART, WITHOUT THE EXPRESS WRITTEN PERMISSION OF VENTLINE. THE DOCUMENT IS TO BE RETURNED PROMPTLY TO VENTLINE AFTER HAVING SERVED THE PURPOSE FOR WHICH DELIVERED.
 ©1985 VENTLINE DIVISION, TOMKINS INDUSTRIES, INC.
 All Rights Reserved, including the right to reproduce this document or any part thereof.

LA1075-00
 PAGE 2 OF 2

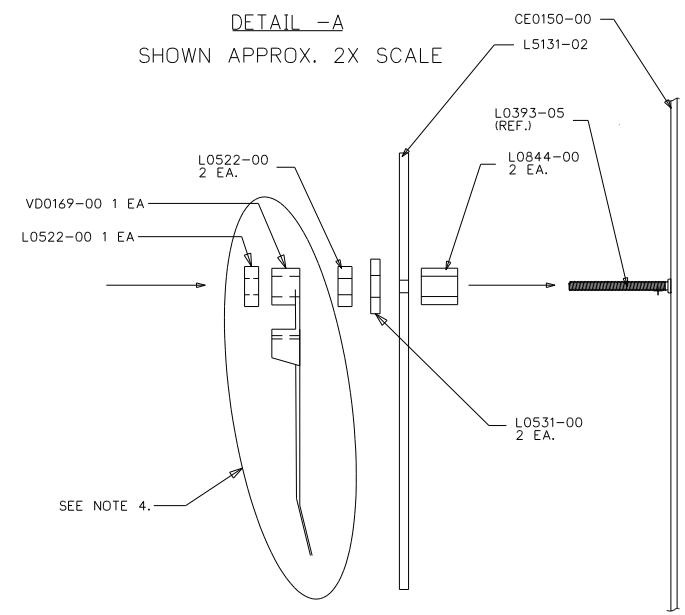
| LTR. | DESCRIPTION | DATE | BY | CHK. |
|------|---|---------|---------|------|
| REL | RELEASED TO PURCHASING AND PRODUCTION ECN 16261 | 12/3/03 | MP/EMPR | |
| A | ADDED LABEL DETAIL ECN 16381 | 4-6-04 | R.L. | R.L. |
| B | LS131-02 WAS LS118-02 ECN 16394 | 4-21-04 | R.L. | R.L. |



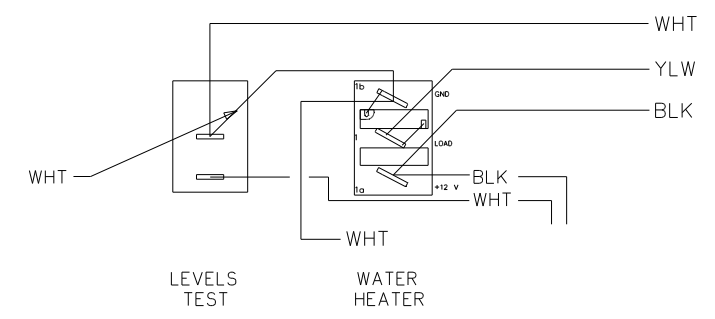
- CKT 1 = NOT USED
- CKT 2 YLW= GENERATOR START
- CKT 3 BRN= GENERATOR STOP
- CKT 4 BLK= GENERATOR NEGATIVE
- CKT 7 14-RED/WHT= WATER PUMP REMOTE SW.
- CKT 8 14-RED= WATER PUMP
- CKT 9 14-WHT/RED= WATER PUMP REMOTE SW.
- CKT 3 WHT= NEGATIVE BATT. TERMINAL
- CKT 13 YLW= D.S.I. WTR. HTR. POS.
- CKT 1 BLK= HOUSE BATTERY POS.
- CKT 15 WHT/BLU= WTR. HTR. PILOT LT.
- CKT 12 WHT/GRN= LP GAS TANK
- CKT 4 RED= FRESH WATER TANK SENSOR
- CKT 6 GRY= GREY WATER TANK SENSOR
- CKT 5 BRN= BLACK WATER TANK SENSOR

VENTLINE WIRING ← → CUSTOMER WIRING

DETAIL -A
 SHOWN APPROX. 2X SCALE



DETAIL -B
 SHOWN APPROX. 2X SCALE



LA1075-00
 FOR USE WITH
 NON-CONTACT
 SENSORS
 (MFG DATE)

PRODUCT LABEL
 PRINTING DETAIL
 NO SCALE

- NOTES:
- UNLESS OTHERWISE SPECIFIED ALL WIRE IS 22 AWG.
 - REF. DWG.'S:
 HARNESS, INTERNAL & SWITCH= L7785-01, -02
 HARNESS, GEN. INTERNAL & SWITCH= L7786-00
 PCB= L5131-02
 HARNESS, TEST= L8012-00
 TEST BOX= L8506-00
 - ALL PIGTAILS TO BE SUPPLIED BY CUSTOMER.
 - BEFORE PACKING, SECURE HARNESS WITH VDO169-00 TIE WRAP ON RIGHT SIDE POST.

| PART NO. | REQ'D | MATERIAL | DESCRIPTION | DWG SIZE |
|-----------|-------|----------|-----------------------------------|----------|
| VDO169-00 | 1 | | TIE WRAP | |
| L7752-00 | 1 | | HARNESS, INTERNAL & SWITCH | |
| L7832-00 | 1 | | HARNESS, GENERATOR | |
| LS131-02 | 1 | | PCB | |
| L0531-00 | 2 | | FIBER WASHER | |
| L0522-00 | 3 | | HEX NUT, 6-32 | |
| L0451-00 | 1 | | LABEL | |
| L0844-00 | 2 | | PCB SPACER | |
| L0115-00 | 1 | | SWITCH, SPDT ON-ON, BLK | |
| L0112-00 | 1 | | SWITCH, SPDT IONI-OFF-IONI, BLK | |
| L0111-00 | 1 | | SWITCH, SPST MOM. IONI-OFF, BLK | |
| L0109-00 | 1 | | SWITCH, SPST ON-OFF, BLK, GRN LT. | |
| CE0150-00 | 1 | | SILKSCREENED CHASSIS | |

| BLANK SIZE | DATE | MATERIAL | USED ON | WINNEBAGO |
|------------|----------|----------|---------|-----------|
| MPR | 11/21/03 | SEE BOM | | |
| CHECKED | DATE | NAME | | |
| MPR | 11/21/03 | | | |
| APPV'D | DATE | | | |

ENGLISH TOLERANCE UNLESS SPECIFIED)
 0 PL.: .040 1 PL.: .030
 2 PL.: .010 3 PL.: .005
 FRACTIONS ±1/64

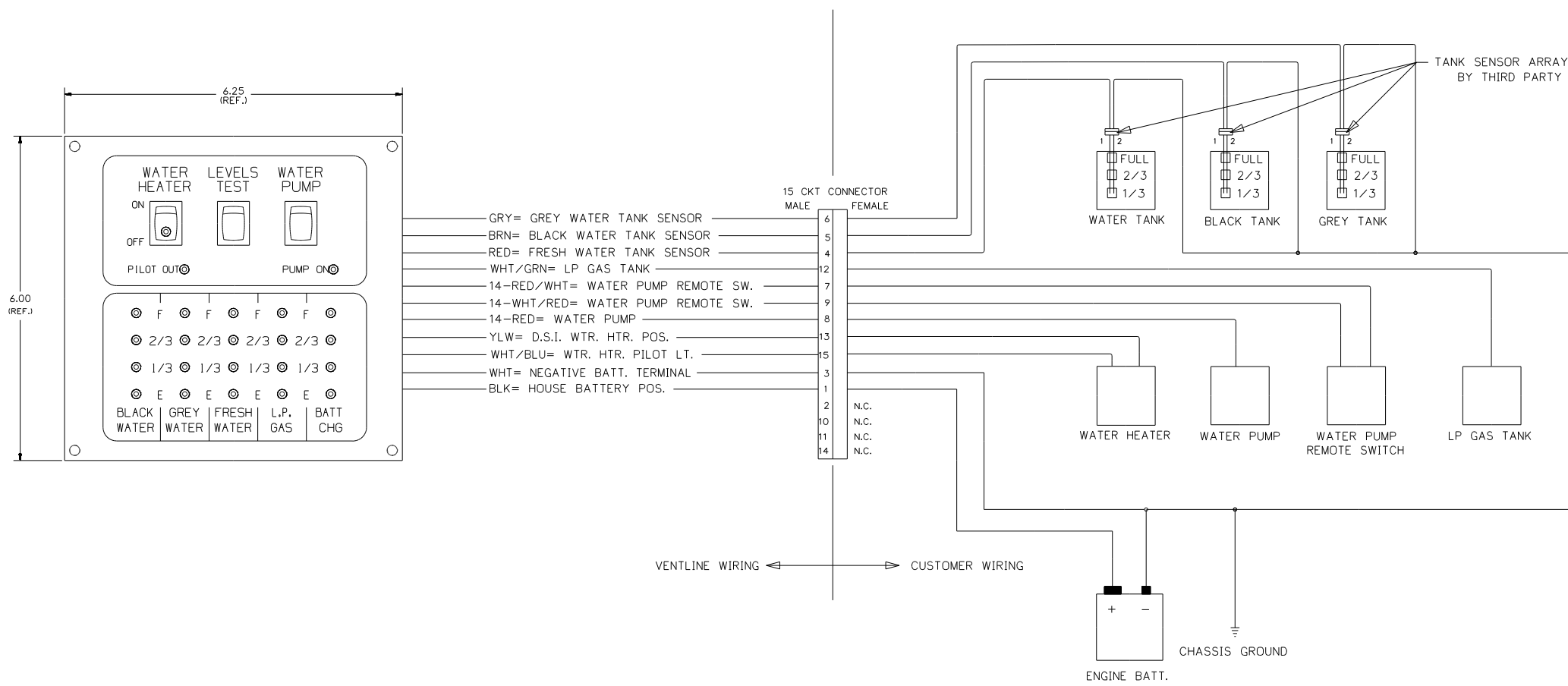
FUNCTION DRAWING,
 MONITOR PANEL
 LA1075-00

| | |
|------------|----------------------|
| FIRST USED | 06 500 SERIES |
| TITLE: | DO NOT SCALE DRAWING |
| | PANEL - MONITOR |
| SHEET 12 | PART NO 134940 REV |

CONFIDENTIAL
 THIS DOCUMENT, INCLUDING ALL INFORMATION CONTAINED HEREIN, IS THE EXCLUSIVE AND CONFIDENTIAL PROPERTY OF VENTLINE DIVISION OF TOMKINS INDUSTRIES INC. THE DOCUMENT AND INFORMATION ARE NOT TO BE COPIED, REPRODUCED OR DELIVERED TO OTHERS, IN WHOLE OR IN PART, WITHOUT THE EXPRESS WRITTEN PERMISSION OF VENTLINE. THE DOCUMENT IS TO BE RETURNED PROMPTLY TO VENTLINE AFTER HAVING SERVED THE PURPOSE FOR WHICH DELIVERED.
 ©1995 VENTLINE DIVISION, TOMKINS INDUSTRIES, INC.
 All Rights Reserved, including the right to reproduce this document or any part thereof

LA1086-00
 PAGE 1 OF 2

| ECN | LTR. | DESCRIPTION | DATE | CHG. BY | CHK. BY |
|-----|------|------------------------------|----------|---------|---------|
| | o | RELEASE FOR QUOTE AND SAMPLE | 04/26/07 | MRH | MRH |



- NOTES:**
- UNLESS OTHERWISE SPECIFIED ALL WIRE IS 22 AWG.
 - REF. DWG.'S:
 HARNESS, INTERNAL & SWITCH= L7752-00
 PCB= L5131-02
 HARNESS, TEST= L7753-00
 TEST BOX= L8506-00
 - ALL PIGTAILS TO BE SUPPLIED BY CUSTOMER.
 - BEFORE PACKING, SECURE HARNESS WITH VD0169-00 TIE WRAP ON RIGHT SIDE POST.

© *VISUALLY CHECK EACH PANEL FOR A RED CIRCUIT BOARD THAT IS THE SPECIFIED PART NUMBER*

UNITS OF MEASURE: INCHES UNLESS SPECIFIED

| | |
|--------------------------------------|-------------------|
| TOLERANCE UNLESS OTHERWISE SPECIFIED | FRACTIONS = ±1/16 |
| 0.0 = ±.020 | |
| 0.00 = ±.010 | |
| 0.000 = ±.005 | ANGLES = ± 1° |

| PART NO. | REQ'D | MATERIAL | DESCRIPTION | DWG SIZE |
|------------|----------|-------------------|------------------|-------------------------|
| BLANK SIZE | | USED ON WINNEBAGO | | |
| DRAWN | DATE | MATERIAL | SEE PAGE 2 | |
| MRH | 04/26/07 | | | |
| CHECKED | DATE | NAME | FUNCTION DRAWING | SCALE: NONE |
| MRH | 04/26/07 | | MONITOR PANEL | DRAWING NO. PAGE 1 OF 2 |
| APP'VD | DATE | | | LA1086-00 |

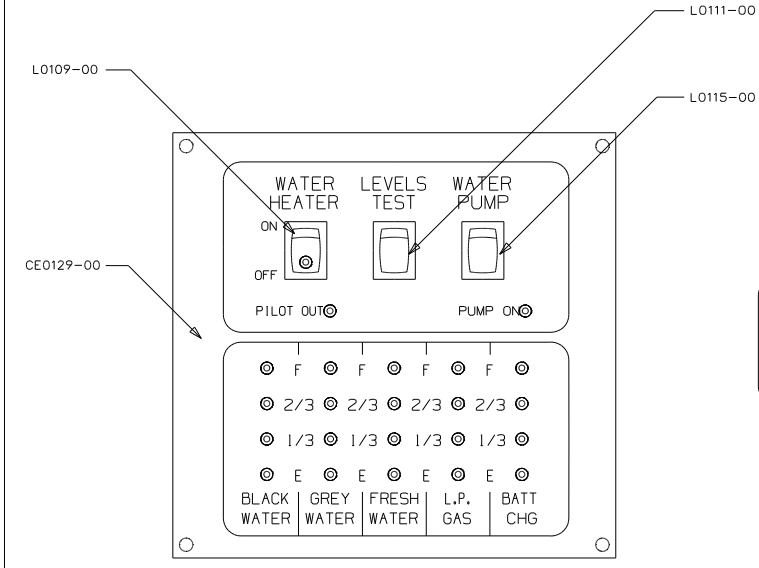
| | |
|------------|----------------------|
| FIRST USED | 300 & F SER |
| TITLE | DO NOT SCALE DRAWING |
| | PANEL-MONITOR 2-TANK |
| SHEET 13 | PART NO 134940 REV |

CONFIDENTIAL
 THIS DOCUMENT, INCLUDING ALL INFORMATION CONTAINED HEREIN, IS THE EXCLUSIVE AND CONFIDENTIAL PROPERTY OF VENTLINE DIVISION OF TOMKINS INDUSTRIES INC. THE DOCUMENT AND INFORMATION ARE NOT TO BE COPIED, REPRODUCED OR DELIVERED TO OTHERS, IN WHOLE OR IN PART, WITHOUT THE EXPRESS WRITTEN PERMISSION OF VENTLINE. THE DOCUMENT IS TO BE RETURNED PROMPTLY TO VENTLINE AFTER HAVING SERVED THE PURPOSE FOR WHICH DELIVERED.
 ©1995 VENTLINE DIVISION, TOMKINS INDUSTRIES, INC.
 All Rights Reserved, including the right to reproduce this document or any part thereof

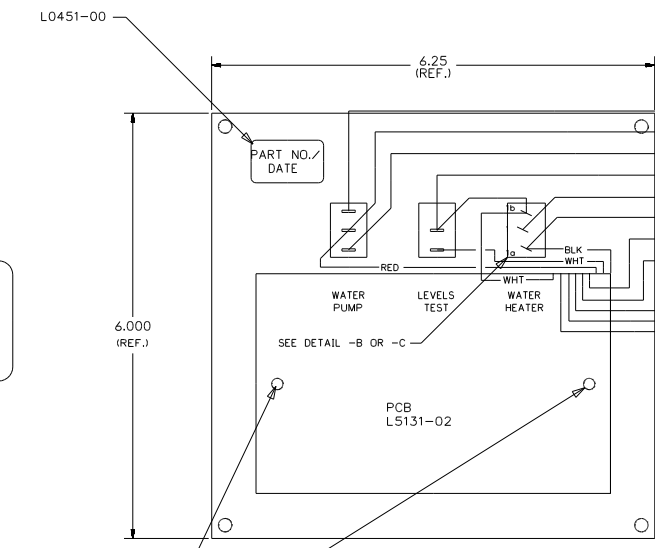
| ECN | LTR. | DESCRIPTION | DATE | CHG. BY | CHK. BY |
|-------|------|------------------------------------|----------|---------|---------|
| 17148 | REL | RELEASE TO PURCHASING & PRODUCTION | 05/10/07 | MRH | MRH |

LA1086-00
 PAGE 2 OF 2

VISUALLY CHECK EACH PANEL FOR A RED CIRCUIT BOARD THAT IS THE SPECIFIED PART NUMBER



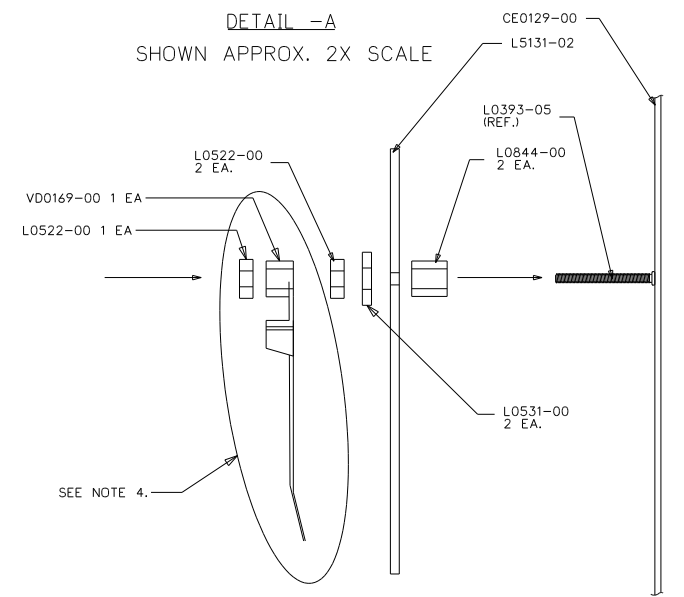
PRODUCT LABEL PRINTING DETAIL NO SCALE
 LA1086-00
 FOR USE WITH NON-CONTACT SENSORS (MFG DATE)



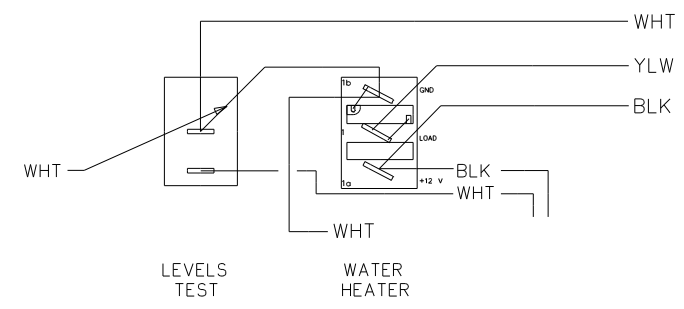
| CTK | DESCRIPTION | TERMINAL |
|-----|-----------------------------------|----------|
| 7 | 14-RED/WHT= WATER PUMP REMOTE SW. | 7 |
| 8 | 14-RED= WATER PUMP | 8 |
| 9 | 14-WHT/RED= WATER PUMP REMOTE SW. | 9 |
| 3 | WHT= NEGATIVE BATT. TERMINAL | 3 |
| 13 | YLW= D.S.I. WTR. HTR. POS. | 13 |
| 1 | BLK= HOUSE BATTERY POS. | 1 |
| 15 | WHT/BLU= WTR. HTR. PILOT LT. | 15 |
| 12 | WHT/GRN= LP GAS TANK | 12 |
| 4 | RED= FRESH WATER TANK SENSOR | 4 |
| 6 | GRY= GREY WATER TANK SENSOR | 6 |
| 5 | BRN= BLACK WATER TANK SENSOR | 5 |

- NOTES:
 1. UNLESS OTHERWISE SPECIFIED ALL WIRE IS 22 AWG.
 2. REF. DWG.'S:
 HARNESS, INTERNAL & SWITCH= L7752-00
 PCB= L5131-02
 HARNESS, TEST= L7753-00
 TEST BOX= L8506-00
 3. ALL PIGTAILS TO BE SUPPLIED BY CUSTOMER.
 4. BEFORE PACKING, SECURE HARNESS WITH V00169-00 TIE WRAP ON RIGHT SIDE POST.

DETAIL -A
 SHOWN APPROX. 2X SCALE



DETAIL -B
 SHOWN APPROX. 2X SCALE



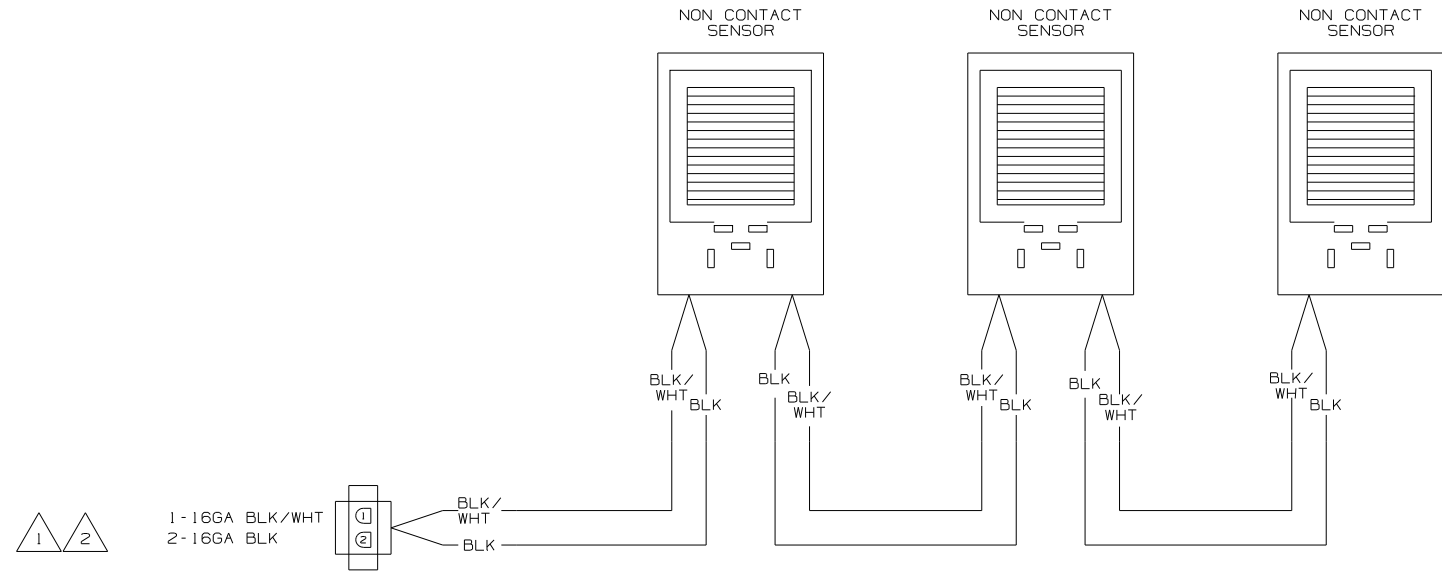
UNITS OF MEASURE: INCHES UNLESS SPECIFIED

| TOLERANCE UNLESS OTHERWISE SPECIFIED | FRACTIONS = ± 1/16 |
|--------------------------------------|--------------------|
| 0.0 = ±.020 | |
| 0.00 = ±.010 | |
| 0.000 = ±.005 | ANGLES = ± 1° |

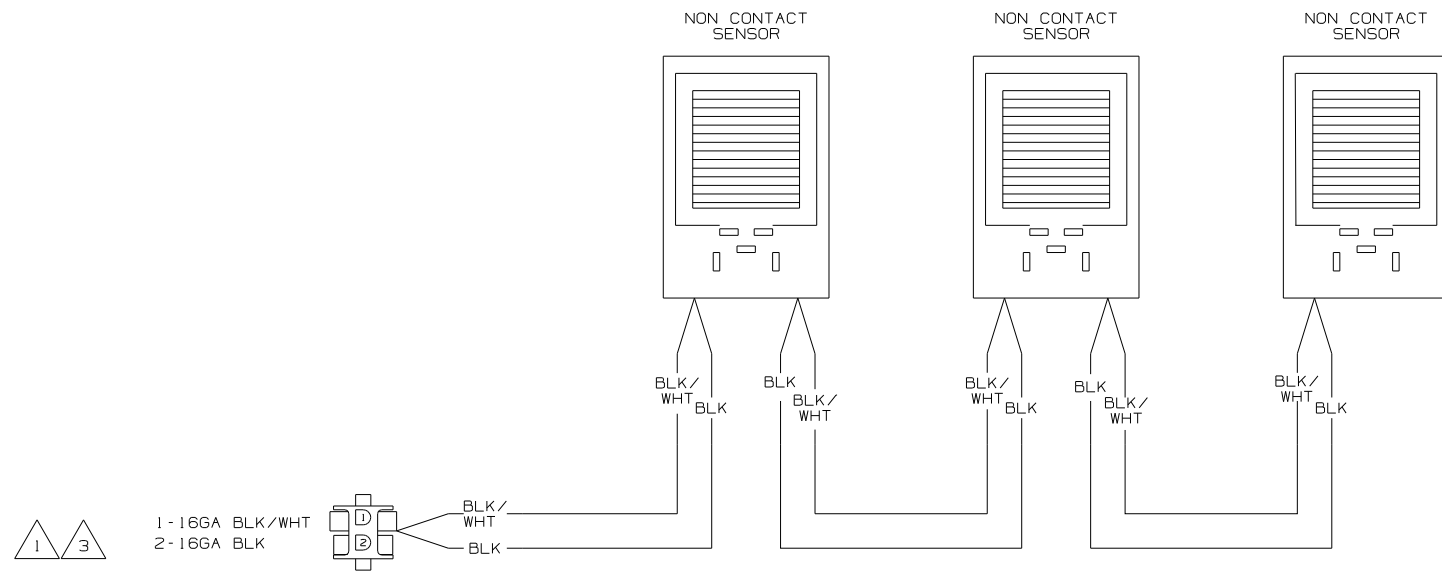
| PART NO. | REQ'D | MATERIAL | DESCRIPTION | DWG SIZE |
|-----------|-------|----------|-------------------------------|----------|
| V00169-00 | 1 | | TIE WRAP | |
| L7752-00 | 1 | | INTERNAL & SWITCH HARNESS | |
| L5131-02 | 1 | | PCB | |
| L0844-00 | 2 | | PCB SPACER | |
| L0531-00 | 2 | | FIBER WASHER | |
| L0522-00 | 3 | | HEX NUT, 6-32 | |
| L0451-00 | 1 | | LABEL | |
| L0111-00 | 1 | | SW, SPST MOM. (ON)-OFF, BLK | |
| L0109-00 | 1 | | SW, SPST ON-OFF, BLK, GRN LT. | |
| L0115-00 | 1 | | SW, SPDT ON-ON, BLK | |
| CE0129-00 | 1 | | SILKSCREENED CHASSIS | |

| | |
|--------------|-------------------------|
| BLANK SIZE | USED ON WINNEBAGO |
| DRAWN DATE | MATERIAL |
| MRH 04/26/07 | SEE BOM |
| CHECKED DATE | NAME |
| MRH 04/26/07 | FUNCTION DRAWING |
| APPV'D DATE | MONITOR PANEL |
| | SCALE: NONE |
| | DRAWING NO. PAGE 2 OF 2 |
| | LA1086-00 |

| | |
|------------|----------------------|
| FIRST USED | 300 & F SER |
| TITLE | DO NOT SCALE DRAWING |
| | PANEL-MONITOR 2-TANK |
| SHEET 14 | PART NO 134940 |



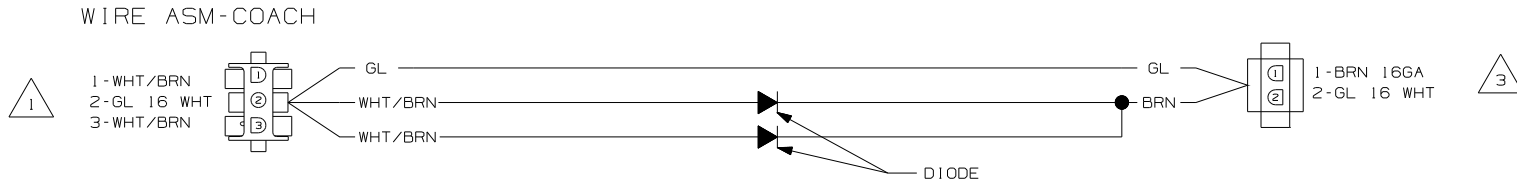
WIRING DIAGRAM-TANK, WATER
OR
WIRING DIAGRAM-TANK, MAIN
(WIRE ASM-151316 REV A)



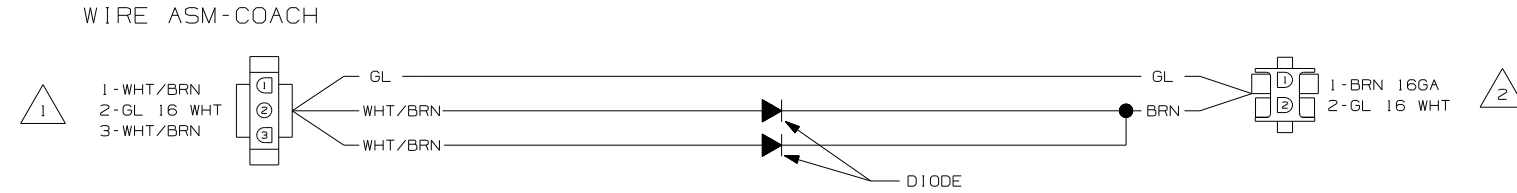
WIRING DIAGRAM-AUX HOLDING
(WIRE ASM-151317 REV A)

- NOTES:
- 3 IF TWO MONITOR PANELS ARE UTILIZED THIS WIRE ASM CONNECTS TO WIRE ASM-TANK,DIODE PACK 151808-01 SHT2.
 - 2 IF TWO MONITOR PANELS ARE UTILIZED THIS WIRE ASM CONNECTS TO WIRE ASM-TANK,DIODE PACK 151808-02 SHT2.
 - 1 IF ONLY ONE MONITOR PANEL IS USED SEE WIRING DIAGRAM-BODY FOR ADDITIONAL INFORMATION.

| | | | |
|--|------------|---|---|
| WINNEBAGO | | COPYRIGHT 2004 WINNEBAGO INDUSTRIES, INC. | |
| DFTR | ORIG. DATE | ALL DIMENSIONS ARE IN MILLIMETERS | |
| CHKR | | FIRST USED | |
| P.E. | | 05 MOTOR HOMES | |
| M.E. | | | |
| DSNR | | | |
| UNSPECIFIED TOLERANCES ARE: | | MATERIAL: | |
| WHOLE DIM (X) | : | 1 | * |
| ONE-PLACE (X.X) | : | | * |
| TWO-PLACE (X.XX) | : | | * |
| ANGLE | : | | * |
| THIRD ANGLE PROJECTION | : | | * |
| DO NOT SCALE DRAWING | | | |
| TITLE: WIRING DIAGRAM-HOLDING TANKS | | | |
| SHEET 1 OF 2 | PART NO | 152594 | |
| REF: NONE | | 1 9/8/2004 | |



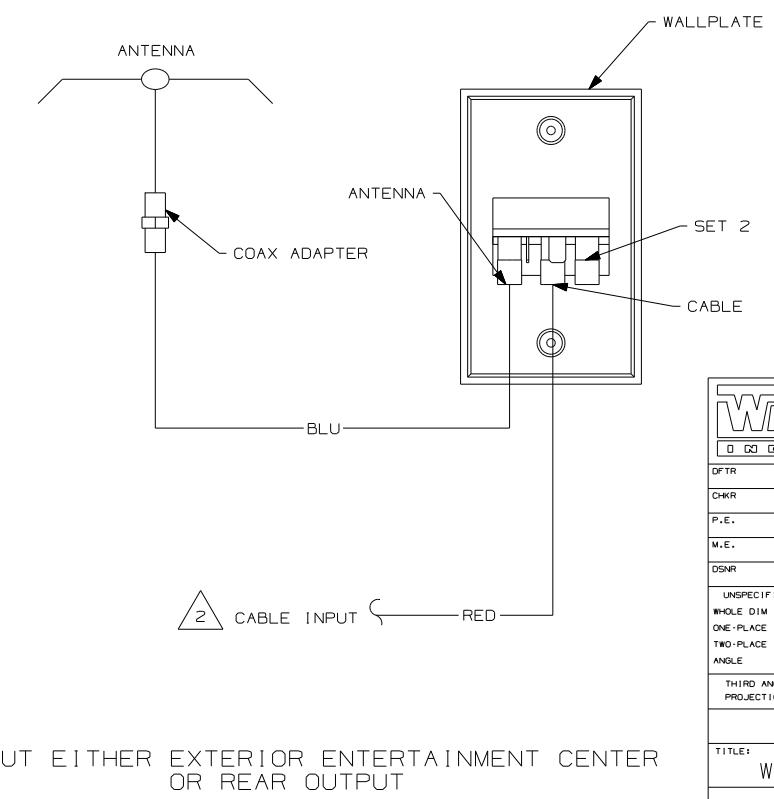
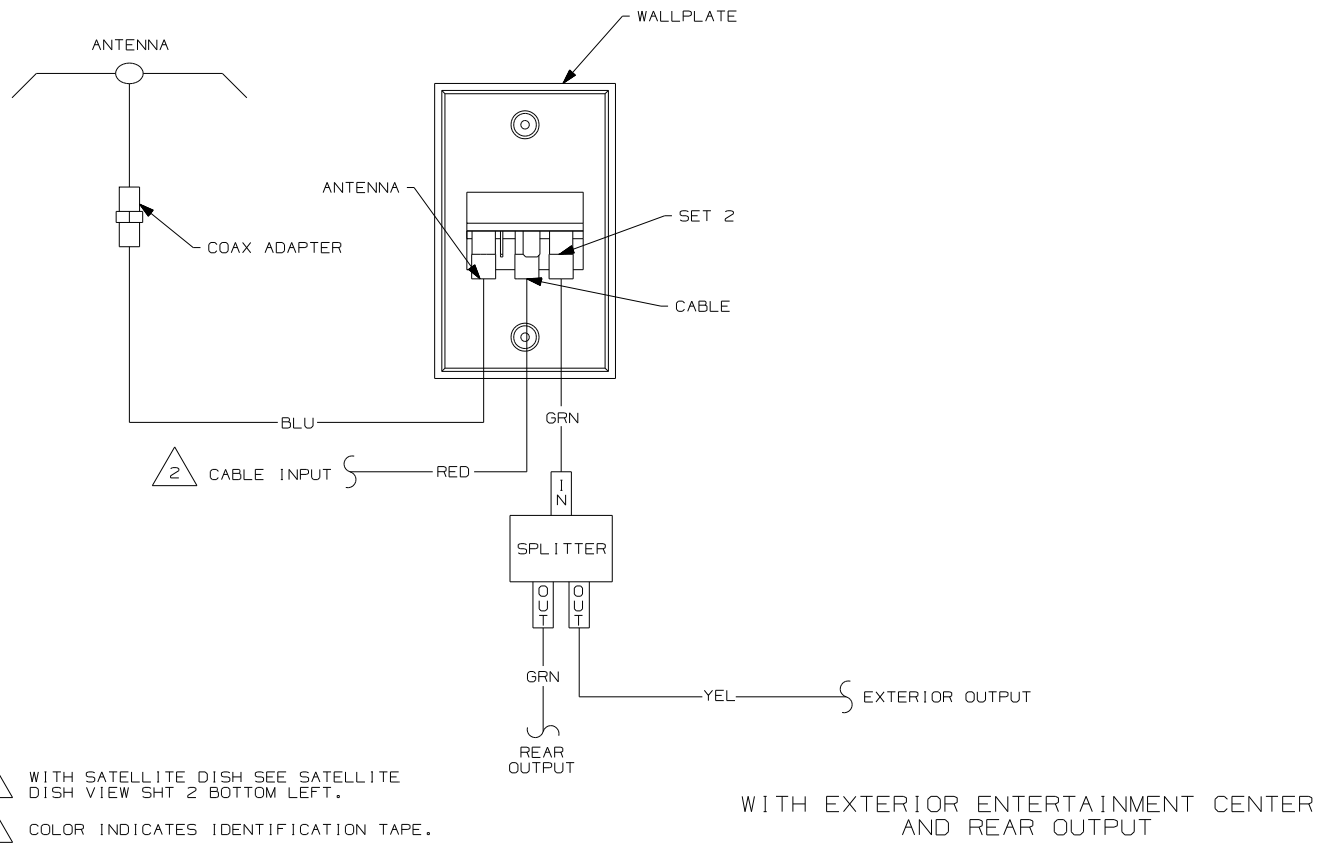
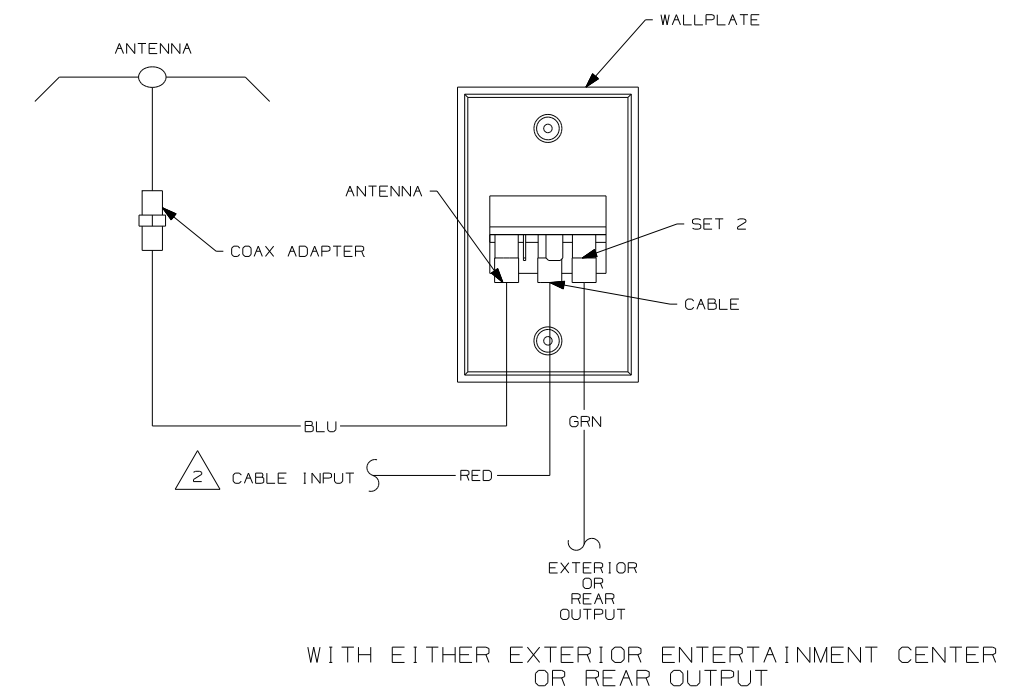
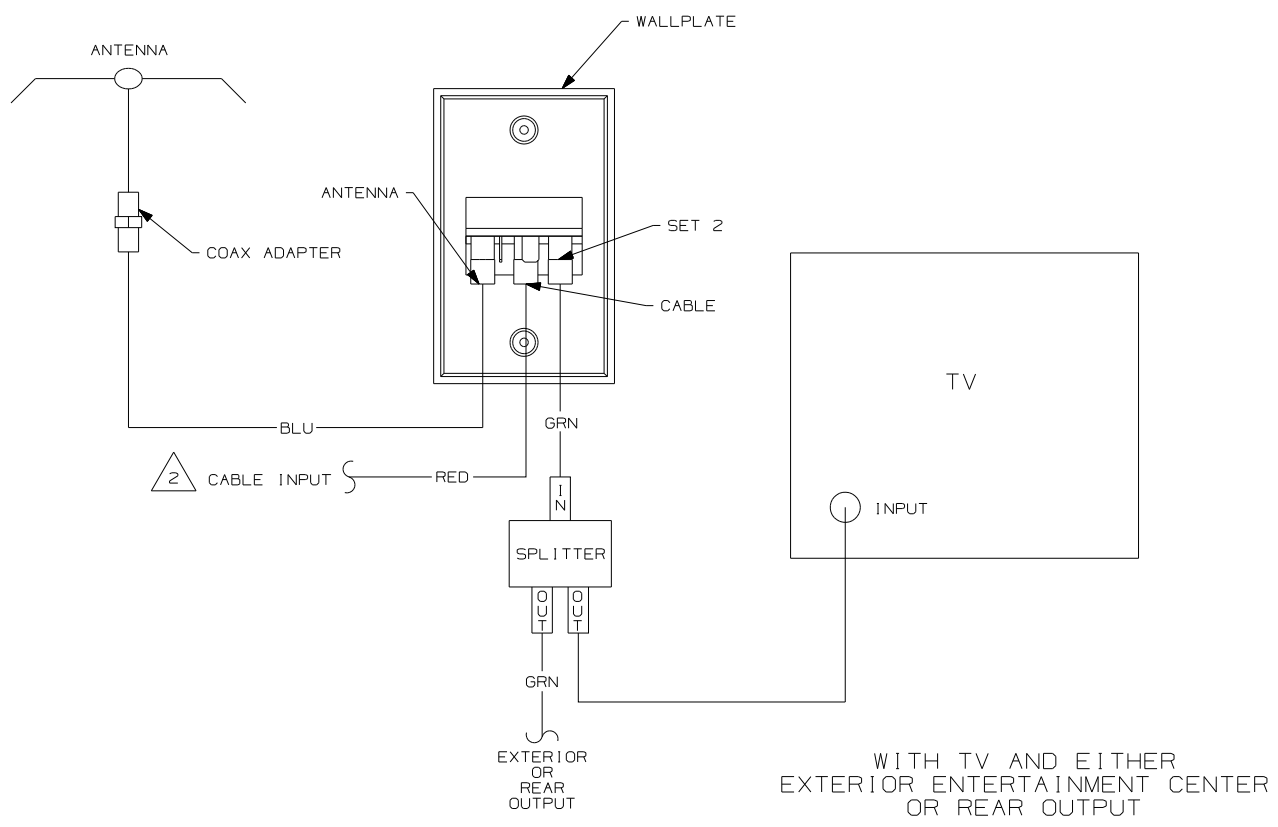
WIRING DIAGRAM-TANK,DIODE PACK
151808-01-000 REV A



WIRING DIAGRAM-TANK,DIODE PACK
151808-02-000 REV A

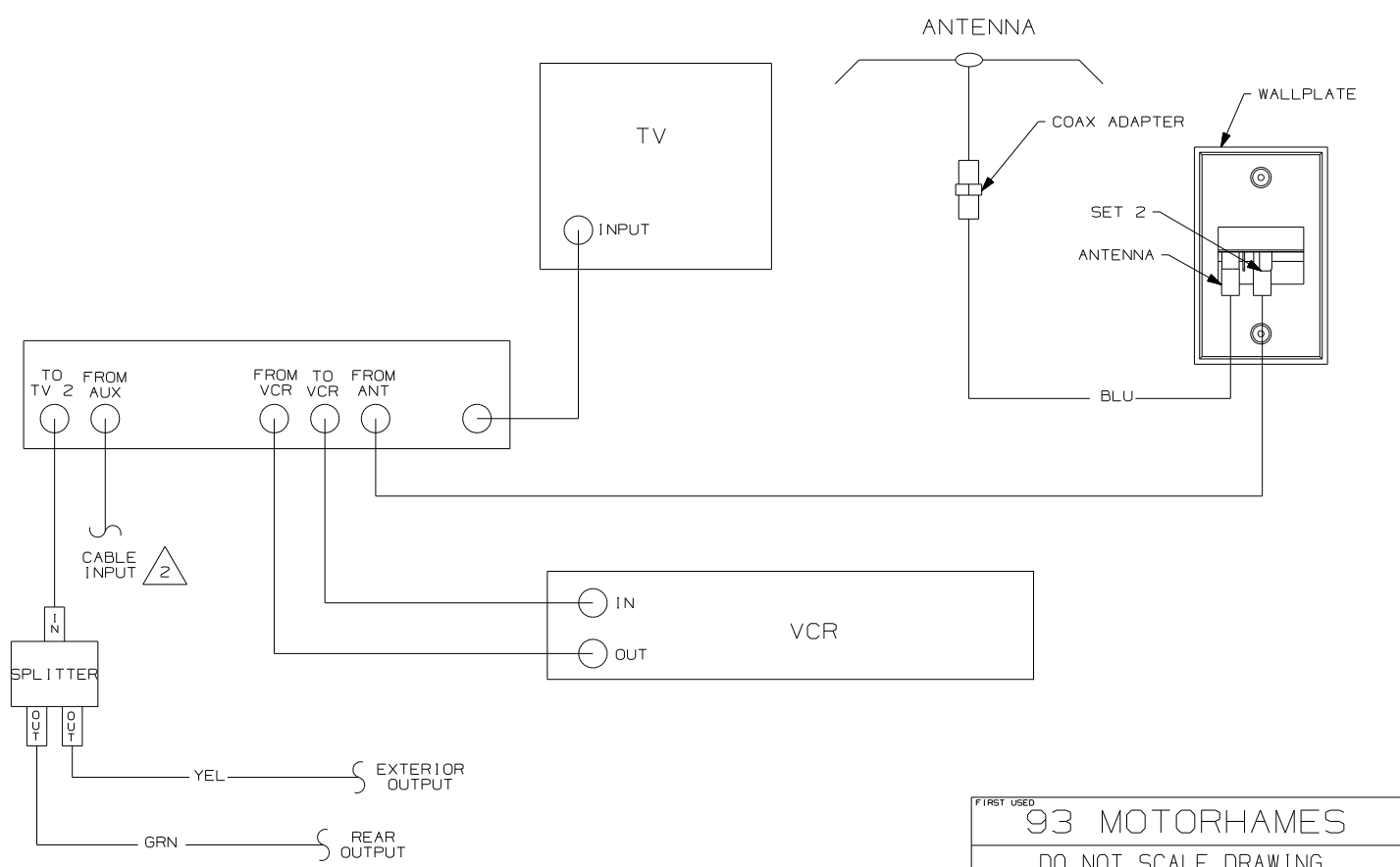
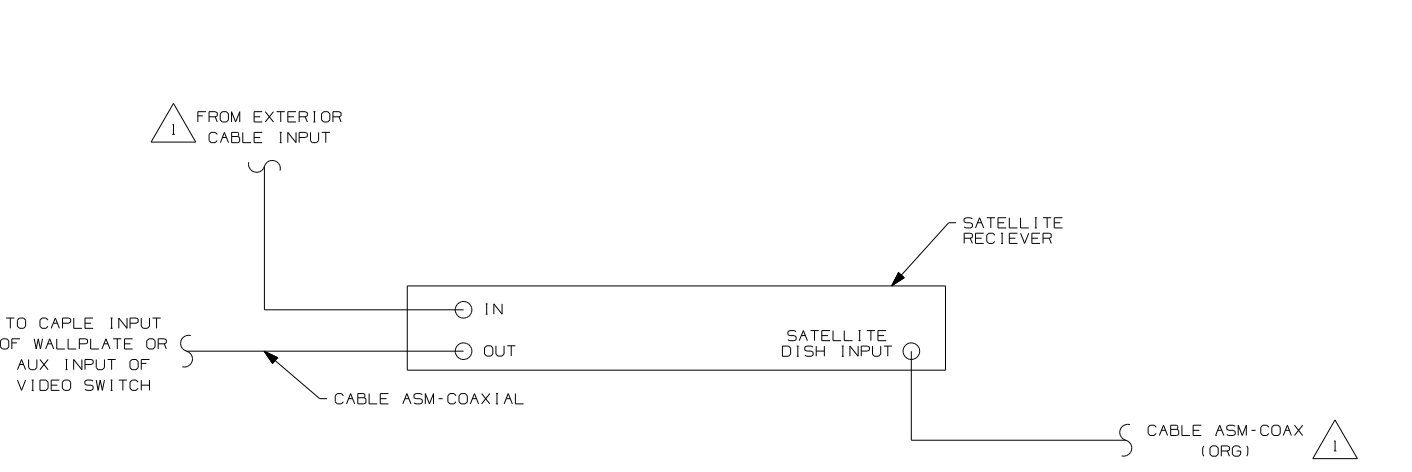
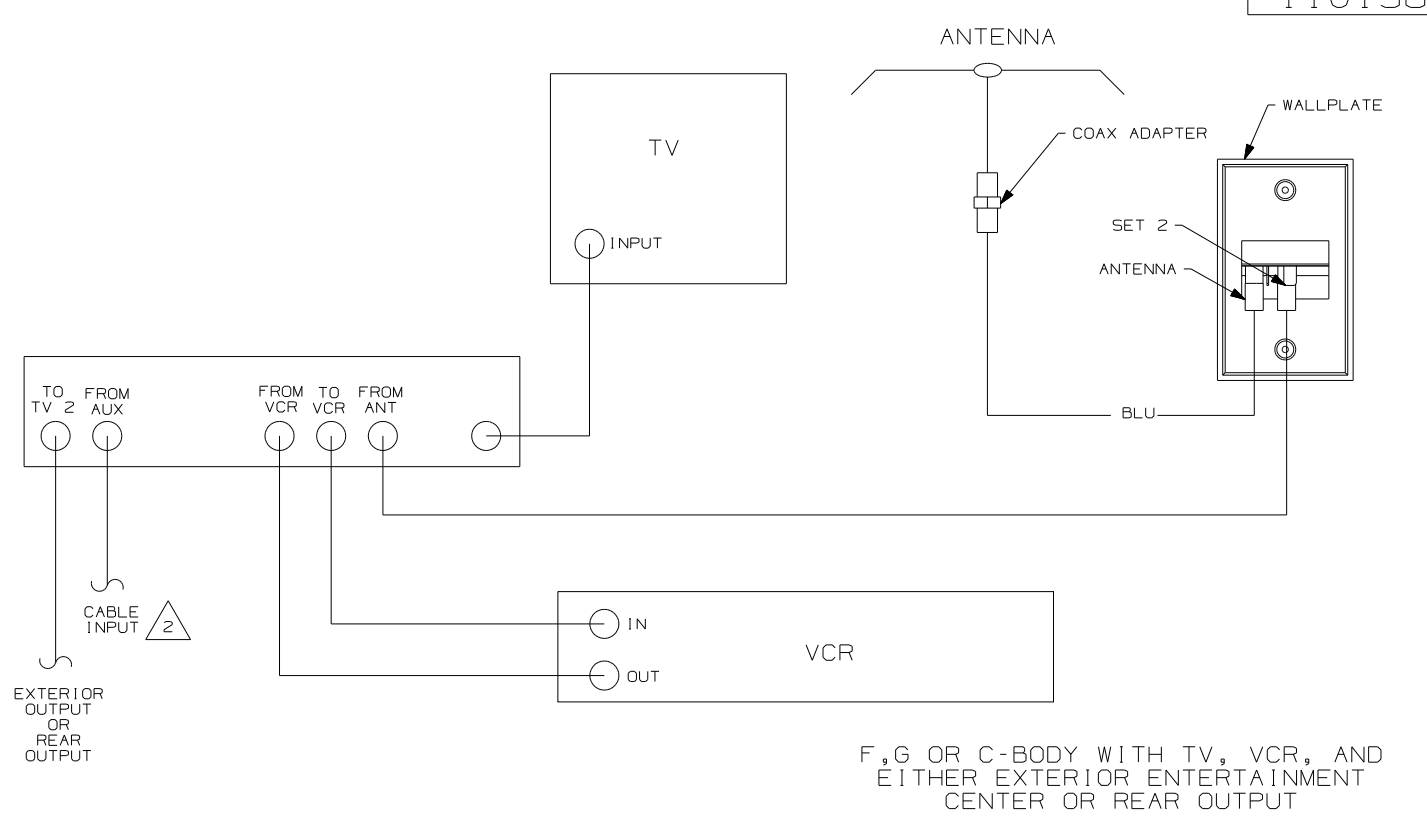
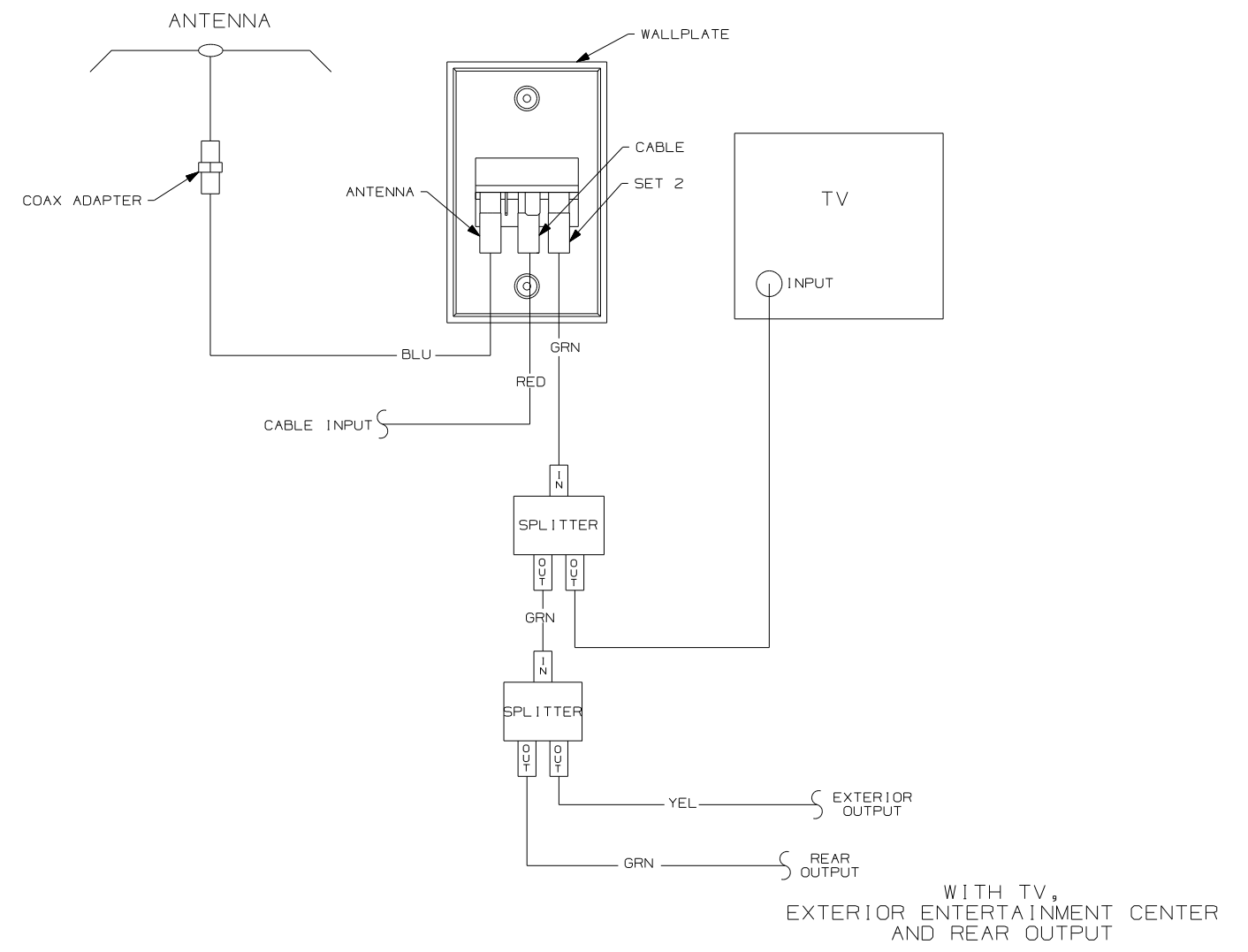
- NOTES:
- 3 CONNECT TO WIRE ASM-TANK,AUX. SEE SHT 1.
 - 2 CONNECT WIRE ASM-TANK,WATER OR MAIN. SEE SHT 1.
 - 1 SEE WIRING DIAGRAM-BODY FOR ADDITIONAL INFORMATION.

| | |
|------------------------------|----------------|
| FIRST USED | |
| 05 MOTOR HOMES | |
| DO NOT SCALE DRAWING | |
| TITLE: | |
| WIRING DIAGRAM-HOLDING TANKS | |
| SHEET 2 | PART NO 152594 |



NOTES:
 2 WITH SATELLITE DISH SEE SATELLITE DISH VIEW SHT 2 BOTTOM LEFT.
 1 COLOR INDICATES IDENTIFICATION TAPE.

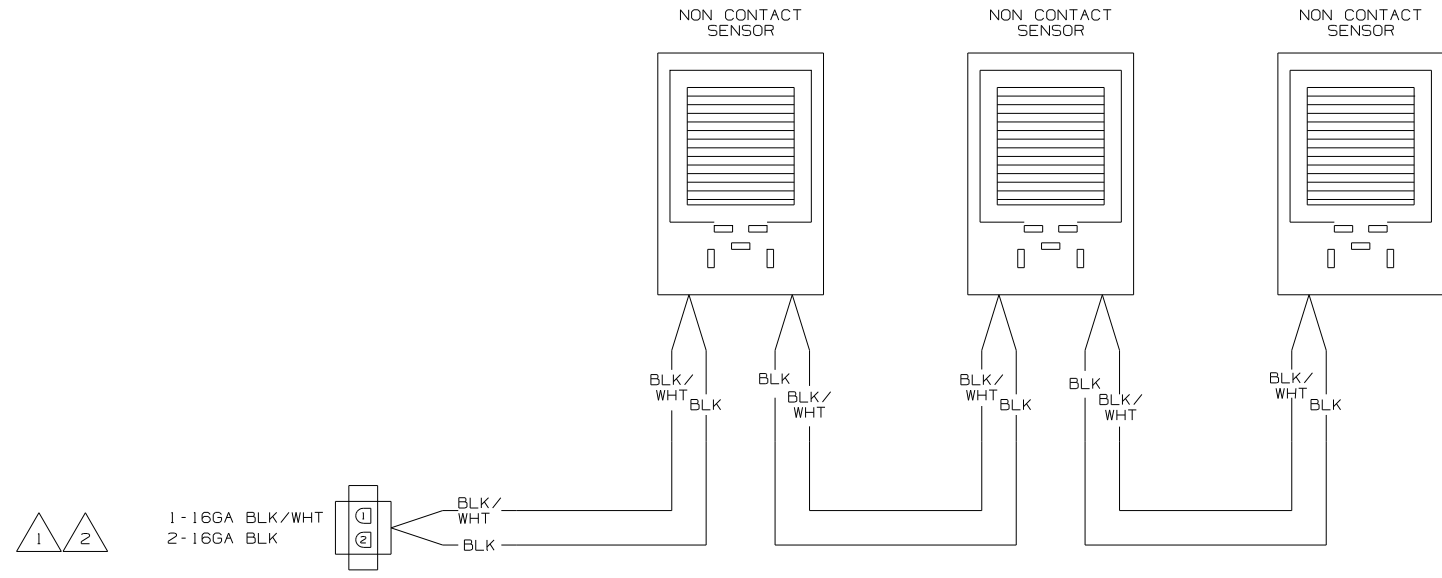
| | | | |
|-------------------------------|------------|---|---|
| WINNEBAGO | | COPYRIGHT 2004 WINNEBAGO INDUSTRIES, INC. | |
| DFTR | ORIG. DATE | ALL DIMENSIONS ARE IN MILLIMETERS | |
| CHKR | | FIRST USED | |
| P.E. | | 93 MOTORHAMES | |
| M.E. | | UNSPECIFIED TOLERANCES ARE: | |
| DSNR | | MATERIAL: | |
| | | WHOLE DIM (X) | : |
| | | ONE-PLACE (X.X) | : |
| | | TWO-PLACE (X.XX) | : |
| | | ANGLE | : |
| | | THIRD ANGLE PROJECTION | ⊕ |
| DO NOT SCALE DRAWING | | | |
| TITLE: WIRING DIAGRAM-TV COAX | | | |
| SHEET 1 OF 2 | PART NO | 110138 | |
| REF: | | 1 07/08/2004 | |



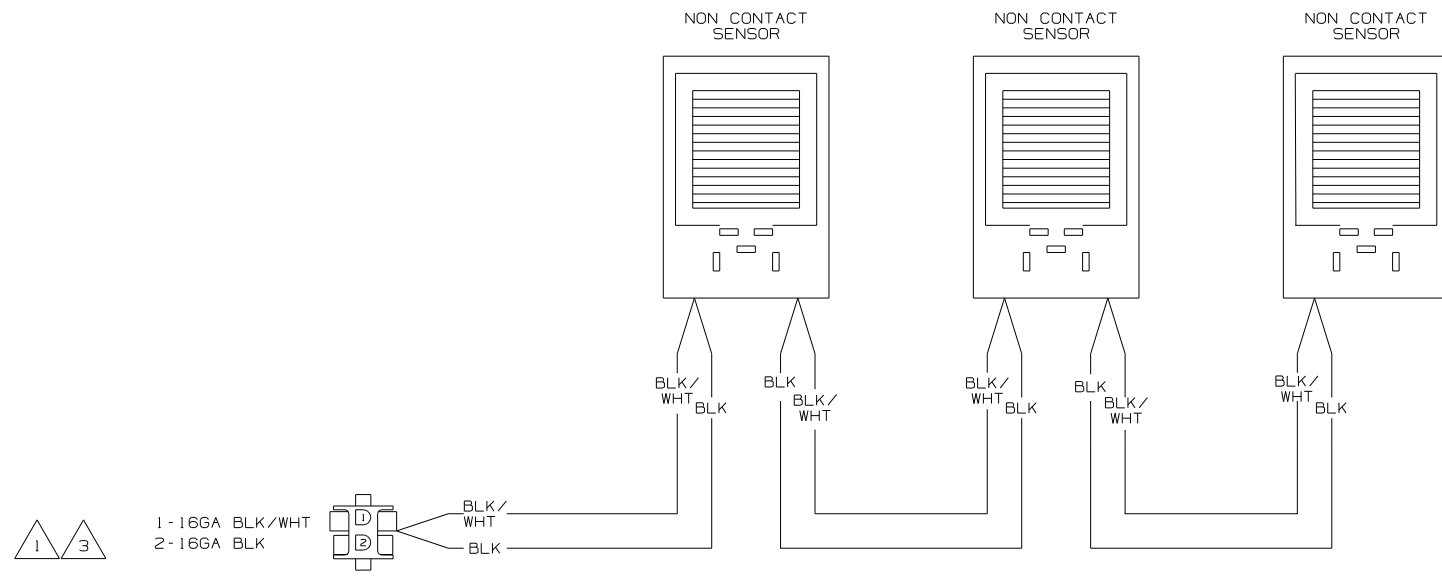
- NOTES:
- WITH SATELLITE DISH SEE SATELLITE DISH VIEW BOTTOM LEFT.
 - CONNECT TV COAX TO JACK ON FRONT OF WALLPLATE.

N,M OR P-SERIES WITH TV AND VCR OR
F,G OR C-BODY WITH TV, VCR, EXTERIOR
ENTERTAINMENT CENTER AND REAR OUTPUT

| | |
|----------------------|------------------------|
| FIRST USED | 93 MOTORHAMES |
| DO NOT SCALE DRAWING | |
| TITLE: | WIRING DIAGRAM-TV COAX |
| SHEET 2 | PART NO 110138 |
| 1 07/08/2004 | |



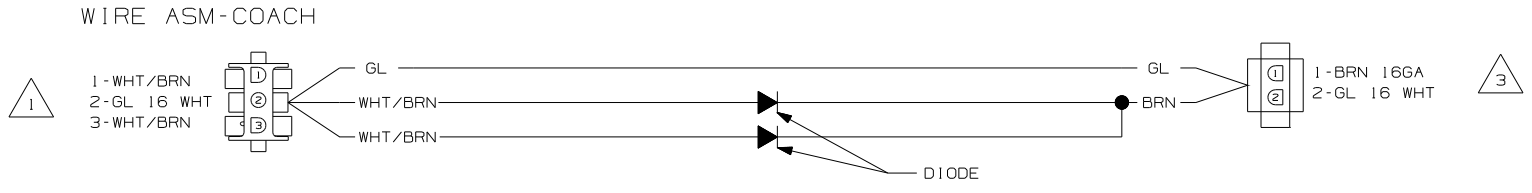
WIRING DIAGRAM-TANK, WATER
OR
WIRING DIAGRAM-TANK, MAIN
(WIRE ASM-151316 REV A)



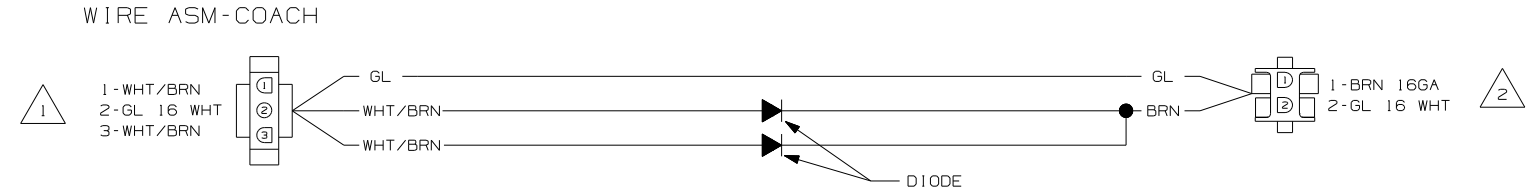
WIRING DIAGRAM-AUX HOLDING
(WIRE ASM-151317 REV A)

- NOTES:
- 3 IF TWO MONITOR PANELS ARE UTILIZED THIS WIRE ASM CONNECTS TO WIRE ASM-TANK,DIODE PACK 151808-01 SHT2.
 - 2 IF TWO MONITOR PANELS ARE UTILIZED THIS WIRE ASM CONNECTS TO WIRE ASM-TANK,DIODE PACK 151808-02 SHT2.
 - 1 IF ONLY ONE MONITOR PANEL IS USED SEE WIRING DIAGRAM-BODY FOR ADDITIONAL INFORMATION.

| | | | |
|--|------------|---|---|
| WINNEBAGO | | COPYRIGHT 2004 WINNEBAGO INDUSTRIES, INC. | |
| DFTR | ORIG. DATE | ALL DIMENSIONS ARE IN MILLIMETERS | |
| CHKR | | FIRST USED | |
| P.E. | | 05 MOTOR HOMES | |
| M.E. | | | |
| DSNR | | | |
| UNSPECIFIED TOLERANCES ARE: | | MATERIAL: | |
| WHOLE DIM (X) | : | 1 | * |
| ONE-PLACE (X.X) | : | | * |
| TWO-PLACE (X.XX) | : | | * |
| ANGLE | : | | * |
| THIRD ANGLE PROJECTION | : | | * |
| DO NOT SCALE DRAWING | | | |
| TITLE: WIRING DIAGRAM-HOLDING TANKS | | | |
| SHEET 1 OF 2 | PART NO | 152594 | |
| REF: NONE | | 1 9/8/2004 | |



WIRING DIAGRAM-TANK,DIODE PACK
151808-01-000 REV A



WIRING DIAGRAM-TANK,DIODE PACK
151808-02-000 REV A

- NOTES:
- 3 CONNECT TO WIRE ASM-TANK,AUX. SEE SHT 1.
 - 2 CONNECT WIRE ASM-TANK,WATER OR MAIN. SEE SHT 1.
 - 1 SEE WIRING DIAGRAM-BODY FOR ADDITIONAL INFORMATION.

| | |
|------------------------------|----------------|
| FIRST USED | |
| 05 MOTOR HOMES | |
| DO NOT SCALE DRAWING | |
| TITLE: | |
| WIRING DIAGRAM-HOLDING TANKS | |
| SHEET 2 | PART NO 152594 |

TERMINALS

SPLICES

HOUSINGS AND TERMINALS

| NO. | PART NUMBER | DESCRIPTION |
|--|---|--|
| B-1 B-2 B-11 B-12 | 50003-01 50004-01 50003-02 50004-02 | TERMINAL-PIN, 16-14 GA., 156 DIA TERMINAL-RECP, 16-14 GA., 156 DIA TERMINAL-PIN, 16-14 GA., 180 DIA TERMINAL-RECP, 16-14 GA., 180 DIA |
| WP-1 WP-2 WP-3 | 106950-01 106950-02 106950-03 | TERMINAL-PIN, 16-14 GA TERMINAL-PIN, 10-12 GA TERMINAL-PIN, 8 GA |
| R-1 R-2 R-3 R-4 R-5 R-6 R-7 R-8 R-9 | 35416-01 35416-02 35416-03 35416-04 37018-01 102777-01 102777-02 102777-03 33787-01 | TERMINAL-RING, #10 STD, 8 GA TERMINAL-RING, #10 STD, 6 GA TERMINAL-RING, #10 STD, 10-12 GA TERMINAL-RING, #10 STD, 14-16 GA TERMINAL-RING, 5/16 STD, 12-10 GA TERMINAL-RING, #6 STD, 14-16 GA TERMINAL-RING, #6 STD, 10-12 GA TERMINAL-RING, #6 STD, 8 GA TERMINAL-RING, #10 STD, 14 GA |
| R-60 R-61 R-62 R-63 R-64 R-65 R-66 R-67 R-68 R-69 R-70 R-71 | 8325-01 8326-01 8327-01 8328-01 8328-02 8329-01 8331-01 8332-01 8332-02 8350-01 99275-02 101397-01 | TERMINAL-RING, 1/4 STD, 14-16 GA TERMINAL-RING, 3/8 STD, 14-16 GA TERMINAL-RING, #10 STD, 14-16 GA TERMINAL-RING, #10 STD, 10-12 GA TERMINAL-RING, 3/8 STD, 10-12 GA TERMINAL-RING, 3/8 STD, 8 GA TERMINAL-RING, 3/8 STD, 4 GA TERMINAL-RING, 1/4 STD, 6 GA TERMINAL-RING, 1/4 STD, 10 GA TERMINAL-RING, 3/8 STD, 6 GA TERMINAL-RING, 7/16 STD, 8 GA TERMINAL-RING, #10 STD, 14-16 GA |
| R-91 R-92 R-93 R-94 | 88791-01 88791-02 8348-01 99275-01 | TERMINAL-RING, 3/8, 90°, 1/0 GA TERMINAL-RING, 3/8, 90°, 2 GA TERMINAL-RING, 3/8 STD, 2 GA TERMINAL-RING, 7/16 STD, 1/0 GA |
| RF-51 RF-52 RF-53 | 7944-01 7945-01 188648-01 | TERMINAL-SPADE, 12-10 GA, #8 STUD TERMINAL-SPADE, 18-14 GA, #8 STUD, UNINS TERMINAL-SPADE, 16-14 GA, #8 STUD, INS |
| TR-1 TR-2 TR-3 TR-11 TR-12 | 47443-01 47443-02 47443-05 47443-03 47443-04 | TERMINAL-RECP, 16-14 GA, .25, INS TERMINAL-RECP, 12-10 GA, .25, INS TERMINAL-RECP, 22-18 GA, .25, INS TERMINAL-RECP, 16-14 GA, .19, INS TERMINAL-RECP, 16-14 GA, .11, INS |
| TR-21 TR-22 TR-23 TR-24 | 80015-01 80015-02 80015-03 80015-04 | TERMINAL-RECP, 22-18 GA, .250, 90 DEG FOR USE WITH TAB THICKNESS .032 TERMINAL-RECP, 16-14 GA, .187, 90 DEG FOR USE WITH TAB THICKNESS .032 TERMINAL-RECP, 16-14 GA, .250, 90 DEG FOR USE WITH TAB THICKNESS .032 TERMINAL-RECP, 16-14 GA, .187, 90 DEG FOR USE WITH TAB THICKNESS .020 |
| TR-51 TR-52 TR-53 TR-54 TR-55 | 7940-01 23809-01 23809-02 49270-01 7940-02 | TERMINAL-RECP, 16-12 GA, .25, UNINS TERMINAL-RECP, 16-14 GA, .19, UNINS TERMINAL-RECP, 18-20 GA, .25, UNINS TERMINAL-RECP, 18-20 GA, .19, UNINS TERMINAL-RECP, 10 GA, .25, UNINS |
| TT-1 TT-2 TT-11 | 85745-02 85745-03 85745-04 | TERMINAL-TAB, 16-14 GA, .25, INS TERMINAL-TAB, 10-12 GA, .25, INS TERMINAL-TAB, 18-22 GA, .19, INS |
| TT-51 TT-52 | 7942-01 7943-01 | TERMINAL-TAB, 16-14 GA, .25, UNINS TERMINAL-TAB, 14-10 GA, .25, UNINS |
| MF6-1 MF6-2 | 129236-01 129236-02 | TERMINAL-FEM, M/P, 630, 10-12 TERMINAL-FEM, M/P, 630, 14-16 |

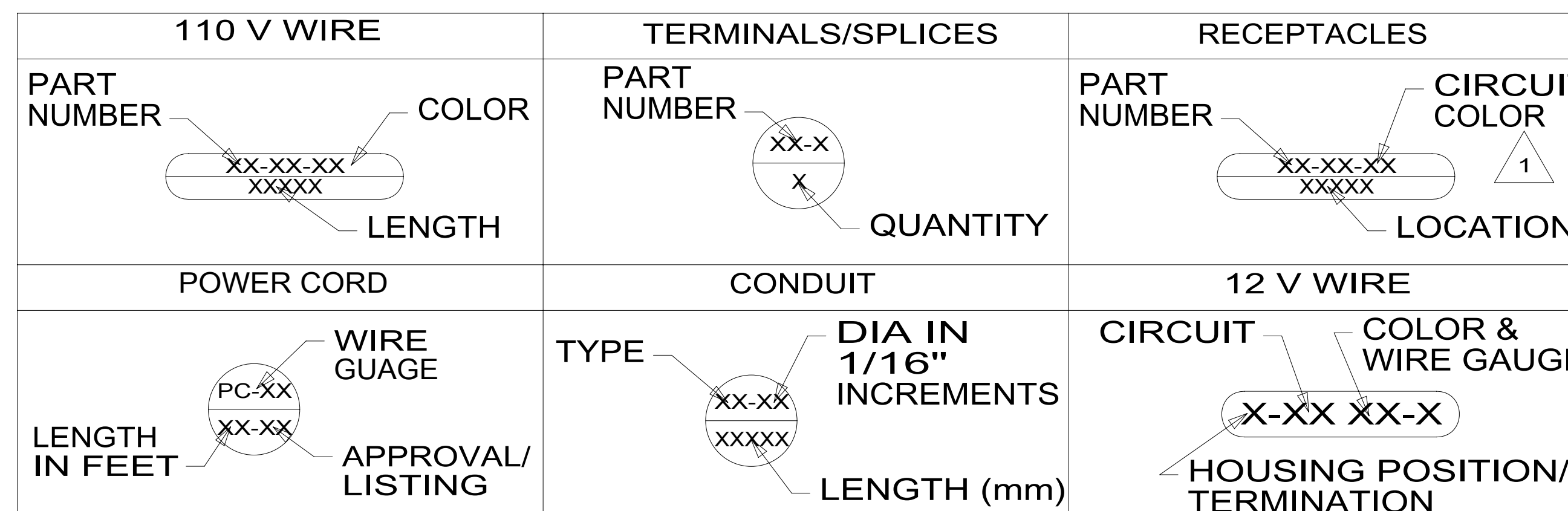
| NO. | PART NUMBER | DESCRIPTION |
|-------------------------------|---|---|
| BS-1 BS-2 BS-3 BS-SB | 31876-01 31876-02 31876-03 100070-01 | SPLICE-BUTT, 16-14 GA, BLUE SPLICE-BUTT, 12-10 GA, YELLOW SPLICE-BUTT, 22-16 GA, RED SPLICE-BUTT, 14-16 GA, SHRINK, BLUE |
| BS-RB BS-RS | 112823-01 173854-01 | SPLICE-BUTT, 14-22 GA, REDUCER SPLICE-BUTT, 14-22 GA, REDUCER, SHRINK |
| S-1 S-2 | 7946-01 23808-01 | SPLICE, 1-6 MM ² SPLICE, 6-9 MM ² |
| I-2 I-5 | 7956-02 7956-05 | SHRINK WRAP .375 DIA SHRINK WRAP .25 DIA |
| SH-1 S-10 | 58028-01 101173-01 | SPLICE-HAT SPLICE-BARREL, 26300 CMA |

| NO. | PART NUMBER | DESCRIPTION |
|--|---|--|
| SP-1 SP-2 | 90986-02 142524-01-000 098261-01-000 098262-07-000 098261-02-000 (3) 098262-01-000 (3) | PLUG ASM-ELECTRIC STEP HOUSING-4 PIN SOCKET-CONNECTOR SEAL-CONNECTOR SOCKET-CONNECTOR SEAL-CONNECTOR |
| HR-1 MP-8 MP-10 MPP CAV-1 CON-3 | 63910-01 125323-02 125323-01 125324-01 125325-01 98262-03 | HOUSING-RELAY HOUSING-PIN, 8 CAVITY HOUSING-PIN, 10 CAVITY TERMINAL-MALE, M/P, 150 SEAL-CAVITY, 150-SERIES M/P SEAL-CONNECTOR |
| LS-8 LS-10 H-8 H-12 | 125323-03 125323-04 108355-01 108355-02 | LOCK-SECONDARY 8 POSITION LOCK-SECONDARY 10 POSITION HOUSING-SWITCH, 8 POSITION HOUSING-SWITCH, 12 POSITION |

| NO. | PART NUMBER | DESCRIPTION |
|----------------|--|--|
| GEN-1 GEN-2 | 125323-02-000 125324-01-000 (4) 098262-03-000 (4) 125325-01-000 (4) 125323-03-000 125323-01-000 125324-01-000 (5) 098262-03-000 (5) 125325-01-000 (5) 125323-04-000 | HOUSING-8 POSN, MALE, 150 SERIES TERMINAL-MALE, M/P, 150 SEAL-CONNECTOR SEAL-CAVITY, 150 SERIES M/P LOCK-SECONDARY 8 POSITION HOUSING-10 POSN, MALE, 150 SERIES TERMINAL-MALE, M/P, 150 SEAL-CONNECTOR SEAL-CAVITY, 150 SERIES M/P LOCK-SECONDARY 10 POSITION |

| NO. | PART NUMBER | DESCRIPTION |
|--|--|---|
| HS-2 HS-3 HS-4 HS-5 HS-6 HS-7 HS-9 HS-12 HS-15 HS-2-R | 88474-10 88474-09 88474-08 88474-07 88474-06 88474-05 88474-03 88474-01 88474-02 88474-12 | HOUSING-SOCKET, 2 CAVITY HOUSING-SOCKET, 3 CAVITY HOUSING-SOCKET, 4 CAVITY HOUSING-SOCKET, 5 CAVITY HOUSING-SOCKET, 6 CAVITY HOUSING-SOCKET, 6 CAVITY-IN LINE HOUSING-SOCKET, 9 CAVITY HOUSING-SOCKET, 12 CAVITY HOUSING-SOCKET, 15 CAVITY HOUSING-SOCKET, 2 CAVITY-RED |
| HP-2 HP-3 HP-4 HP-5 HP-6 HP-7 HP-8 HP-9 HP-12 HP-15 HP-2-R HP-3-B HP-3-G HP-3-R | 88473-10 88473-09 88473-08 88473-07 88473-06 88473-05 88473-04 88473-03 88473-01 88473-02 88473-15 88473-12 88473-13 88473-14 | HOUSING-PIN, 2 CAVITY HOUSING-PIN, 3 CAVITY HOUSING-PIN, 4 CAVITY HOUSING-PIN, 5 CAVITY HOUSING-PIN, 6 CAVITY HOUSING-PIN, 6 CAVITY-IN LINE HOUSING-PIN, 8 CAVITY-IN LINE HOUSING-PIN, 9 CAVITY HOUSING-PIN, 12 CAVITY HOUSING-PIN, 15 CAVITY HOUSING-PIN, 2 CAVITY-RED HOUSING-PIN, 3 CAVITY-BLUE HOUSING-PIN, 3 CAVITY-GREEN HOUSING-PIN, 3 CAVITY-RED |
| TS-1 TS-2 TP-1 TP-2 HS2HA HP2HA TS-HA TP-HA H-HA T-HA | 88476-01 88476-02 88475-01 88475-02 137208-01 137207-01 137210-01 137209-01 104100-01 104100-03 | SOCKET-CONNECTOR, 20-14 GA SOCKET-CONNECTOR, 12-10 GA PIN-CONNECTOR, 20-14 GA PIN-CONNECTOR, 12-10 GA HOUSING-SOCKET, 2 CAVITY-HIGH AMP HOUSING-PIN, 2 CAVITY-HIGH AMP SOCKET-CONNECTOR, 10AWG HIGH AMP PIN-CONNECTOR, 10AWG HIGH AMP HOUSING, 1 CAVITY 75 AMP TERMINAL 10 AWG - 6 AWG 75 AMP |

BALLOON CALLOUT LEGEND



NOTES: 1 FOR RECP-BLANK, DET-X DENOTES DETAIL VIEW. 2 CONTACT WIRE PREP PRIOR TO USING FOR TOOLING PURPOSES.

WINNEBAGO COPYRIGHT 2014 WINNEBAGO INDUSTRIES, INC.

DTR: _____ ORIG. DATE: _____
 CHR: _____ ALL DIMENSIONS ARE IN MILLIMETERS
 P.E.: _____
 M.E.: _____ FIRST USED: _____
 DSNR: _____ **96 MH'S**

UNSPECIFIED TOLERANCES ARE: MATERIAL: _____
 WHOLE DIM (X) : _____
 ONE-PLACE (X.X) : _____
 TWO-PLACE (X.XX) : _____
 ANGLE : _____

THIRD ANGLE PROJECTION

DO NOT SCALE DRAWING REFER TO ES0018 FOR FASTENER TIGHTENING GUIDELINES

TITLE: **PART LISTING-ELECTRICAL**

SHEET 1 OF 7 PART NO. 121339 REV _____

121339

WIRE-SINGLE INS CONDUCTOR, STRANDED

WIRE-NM SHEATHED CABLE

CONDUIT

| NO. | PART NUMBER | DESCRIPTION |
|----------------|------------------------|---|
| 18-W 18-Y | 156658-01 156658-02 | WIRE, 18 GA. WHITE, PVC WIRE, 18 GA. YELLOW, PVC |
| 16-Y 16-W | 89360-01 89360-02 | WIRE, 16 GA. YELLOW, PVC WIRE, 16 GA. WHITE, PVC |
| 14-Y 14-W | 48554-02 48554-04 | WIRE, 14 GA. YELLOW, PVC WIRE, 14 GA. WHITE, PVC |
| 12-Y 12-W | 48555-02 48555-04 | WIRE, 12 GA. YELLOW, PVC WIRE, 12 GA. WHITE, PVC |
| 10-Y 10-W | 8000-03 8000-05 | WIRE, 10 GA. YELLOW, PVC WIRE, 10 GA. WHITE, PVC |
| 8-B 8-G | 8005-01 8005-03 | WIRE, 8 GA. BLACK, PVC WIRE, 8 GA. GREEN, PVC |
| 6-B 6-G | 70065-01 70065-03 | WIRE, 6 GA. BLACK, PVC WIRE, 6 GA. GREEN, PVC |
| 18-WX 18-YX | 121015-01 121015-02 | WIRE, 18 GA. WHITE, XLPE WIRE, 18 GA. YELLOW, XLPE |
| 16-YX 16-WX | 116675-01 116675-02 | WIRE, 16 GA. YELLOW, XLPE WIRE, 16 GA. WHITE, XLPE |
| 14-YX 14-WX | 98586-01 98586-02 | WIRE, 14 GA. YELLOW, XLPE WIRE, 14 GA. WHITE, XLPE |
| 12-YX 12-WX | 98609-01 98609-02 | WIRE, 12 GA. YELLOW, XLPE WIRE, 12 GA. WHITE, XLPE |
| 10-YX 10-WX | 116676-03 116676-04 | WIRE, 10 GA. YELLOW, XLPE WIRE, 10 GA. WHITE, XLPE |
| 8-BX 8-GX | 116674-01 116674-02 | WIRE, 8 GA. BLACK, XLPE WIRE, 8 GA. GREEN, XLPE |
| 6-BX 6-GX | 116687-01 116687-02 | WIRE, 6 GA. BLACK, XLPE WIRE, 6 GA. GREEN, XLPE |

| NO. | PART NUMBER | DESCRIPTION |
|---------|---------------|--------------------------------|
| 14 UL | 8027-01-000 | WIRE 14-2 ROMEX W/GROUND (UL) |
| 14 CA | 8023-02-000 | WIRE 14-2 ROMEX W/GROUND (CAN) |
| 14-3 UL | 184506-01-000 | WIRE 14-3 ROMEX W/GROUND NM-B |
| 14-3 CA | 184507-01-000 | WIRE 14-3 ROMEX W/GROUND NM-D |
| 12 UL | 8026-01-000 | WIRE 12-2 ROMEX W/GROUND (UL) |
| 12 CA | 8023-01-000 | WIRE 12-2 ROMEX W/GROUND (CAN) |
| 12-3 UL | 8026-03-000 | WIRE 12-3 ROMEX W/GROUND (UL) |
| 12-3 CA | 8023-03-000 | WIRE 12-3 ROMEX W/GROUND (CAN) |
| 10 UL | 8022-01-000 | WIRE 10-2 ROMEX W/GROUND (UL) |
| 10 CA | 24743-01-000 | WIRE 10-2 ROMEX W/GROUND (CAN) |
| 6-3 UL | 108914-01-000 | WIRE 6-3 ROMEX W/GROUND (UL) |
| 6-3 CA | 113136-01-000 | WIRE 6-3 ROMEX W/GROUND (CAN) |
| 6-2 UL | 108914-02-000 | WIRE 6-2 ROMEX W/GROUND (UL) |
| 4-3 UL | 128375-01-000 | WIRE 4-3 ROMEX W/GROUND (UL) |
| 4-3 CA | 128375-01-000 | WIRE 4-3 ROMEX W/GROUND (CAN) |

| NO. | PART NUMBER | DESCRIPTION | TEMP. |
|-------|--------------|-----------------------------------|--------|
| C-4 | 41953-07-000 | CONDUIT-CONVOLUTE,SLIT .25"ID | 194° F |
| C-6 | 41953-06-000 | CONDUIT-CONVOLUTE,SLIT .38"ID | 194° F |
| C-8 | 41953-01-000 | CONDUIT-CONVOLUTE,SLIT .50"ID | 194° F |
| C-10 | 41953-02-000 | CONDUIT-CONVOLUTE,SLIT .63"ID | 194° F |
| C-16 | 41953-03-000 | CONDUIT-CONVOLUTE,SLIT 1.0"ID | 194° F |
| C-24 | 41953-08-000 | CONDUIT-CONVOLUTE,SLIT 1.5"ID | 194° F |
| C-32 | 41953-15-000 | CONDUIT-CONVOLUTE,SLIT 2.0"ID | 194° F |
| CX-8 | 41953-09-000 | CONDUIT-CONVOLUTE,SLIT .50"ID | 239° F |
| CX-12 | 41953-10-000 | CONDUIT-CONVOLUTE,SLIT .75"ID | 239° F |
| CX-16 | 41953-11-000 | CONDUIT-CONVOLUTE,SLIT 1.0"ID | 239° F |
| CX-20 | 41953-13-000 | CONDUIT-CONVOLUTE,SLIT 1.25"ID | 239° F |
| CX-24 | 41953-14-000 | CONDUIT-CONVOLUTE,SLIT 1.50"ID | 239° F |
| CX-32 | 41953-16-000 | CONDUIT-CONVOLUTE,SLIT 2.0"ID | 239° F |
| CN-10 | 41953-05-000 | CONDUIT-CONVOLUTE,NOT SLIT .63"ID | 194° F |
| CN-16 | 41953-12-000 | CONDUIT-CONVOLUTE,NOT SLIT 1.0"ID | 194° F |

POWER CORDS

| NO. | PART NUMBER | DESCRIPTION |
|----------------|---------------|--|
| PC-10 28 | 8054-01-000 | POWER CORD 10 GA, 30 AMP, 28 FT. (UL/CA) |
| PC-10 36 | 8054-02-000 | POWER CORD 10 GA, 30 AMP, 36 FT. (UL/CA) |
| PC-10 30-CA | 8052-01-000 | SUPERCEDED BY 8054-01-000 |
| PC-6 36 | 108934-01-000 | POWER CORD 6 GA, 50 AMP, 36 FT. (UL/CA) |
| PC-6 36-FX | 108934-02-000 | POWER CORD 6 GA, 50 AMP, 36 FT. (UL/CSA) SUPERFLEX |
| PC-6 30 | 108934-03-000 | POWER CORD 6 GA, 50 AMP, 30 FT. (UL/CA) |
| PC-6 36-CA | 113096-01-000 | SUPERCEDED BY 108934-02-000 |

BATTERY CABLE LEGEND

| COLOR | DESCRIPTION |
|--------|-----------------------------|
| PURPLE | CHASSIS BATTERY TO SOLENOID |
| BLUE | HYDRAULIC JACKS PUMP |
| RED | BATTERY TO STARTER |
| GREEN | BATTERY TO GENERATOR |
| YELLOW | COACH BATTERY TO SOLENOID |

RECEPTACLES

| NO. | PART NUMBER | DESCRIPTION |
|--------|--------------------------------|---|
| RCP-1 | 176149-02-CHT 176159-01-CHT | RECEPTACLE-SINGLE, FLUSH MOUNT PLATE-COVER,1 GANG,SNAP IN |
| RCP-2 | 176149-01-CHT 176159-01-CHT | RECEPTACLE-DOUBLE, FLUSH MOUNT PLATE-COVER,1 GANG,SNAP IN |
| RCP-3 | 176156-01-CHT | RECEPTACLE-SINGLE, SURFACE MOUNT |
| RCP-4 | 157360-01-CHT | RECEPTACLE-SINGLE,SURFACE MOUNT,20A |
| RCP-5 | 176144-01-CHT 176159-01-CHT | RECEPTACLE-SINGLE,FLUSH MOUNT,20A PLATE-COVER,1 GANG,SNAP IN |
| RCP-B | 176158-01-CHT | RECEPTACLE-BLANK, JUNCTION |
| RCP-E | 178666-01-000 184914-01-CHT | RECEPTACLE-DUPLEX, FLUSH MOUNT COVER-RECEPTACLE,W/P W/GASKET |
| SW-1 | 176157-01-CHT 176159-01-CHT | SWITCH-15A,SINGLE POLE PLATE-COVER,1 GANG,SNAP IN |
| RCP-2S | 176149-01-CHT 176568-01-CHT | RECEPTACLE-DOUBLE, FLUSH MOUNT PLATE-COVER,1 GANG, SCREW |

CIRCUIT COLOR LEGEND

| 110V CIRCUIT | WIRE COLOR | COAXIAL CIRCUIT |
|----------------------------|------------|--------------------------|
| A/C CIRCUIT 1 | RED | CABLE INPUT W/O SPLITTER |
| A/C CIRCUIT 2 | GRN | REAR TV W/O SPLITTER |
| GENERAL RECPS 1 | BLU | ANTENNA |
| GENERAL RECPS 2 | BRN | FRONT TV |
| GENERAL RECPS 3 | PUR | VCR INPUT |
| GENERAL RECPS 4 | GRY | |
| REFRIGERATOR/ CONVERTER | YEL | EXT ENT CTR |
| MICROWAVE | BLK | AUX INPUT |
| WATER HEATER | WHT | |
| WASHER/DRYER | GLD | |
| DISHWASHER | SIL | |
| | ORG | SATELLITE PLATE INPUT |
| | ORG/ORG | SATELLITE PLATE OUTPUT |
| | RED/RED | CABLE INPUT W/SPLITTER |
| | GRN/GRN | REAR TV W/SPLITTER |
| | PUR/PUR | VCR OUTPUT |

| | | |
|---------------------------------------|-----------------------|-----|
| FIRST USED | 96 MH'S | |
| DO NOT SCALE DRAWING | | |
| TITLE: PART LISTING-ELECTRICAL | | |
| SHEET 2 | PART NO 121339 | REV |


121339

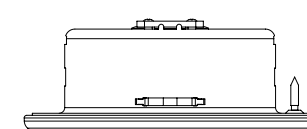
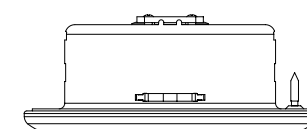
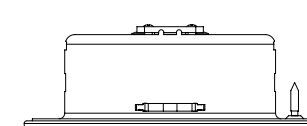
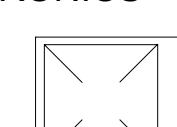
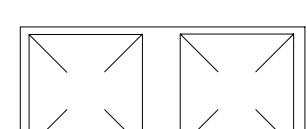
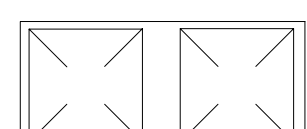
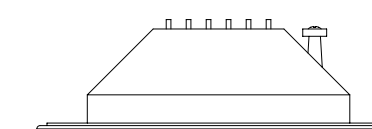
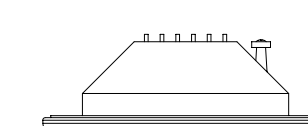



LAMP ASM-PACKAGE,PANCAKE

LAMP ASM-PACKAGE,PANCAKE

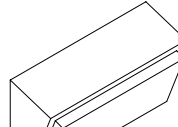
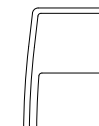
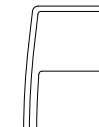

LAMP ASM-PACKAGE,LED

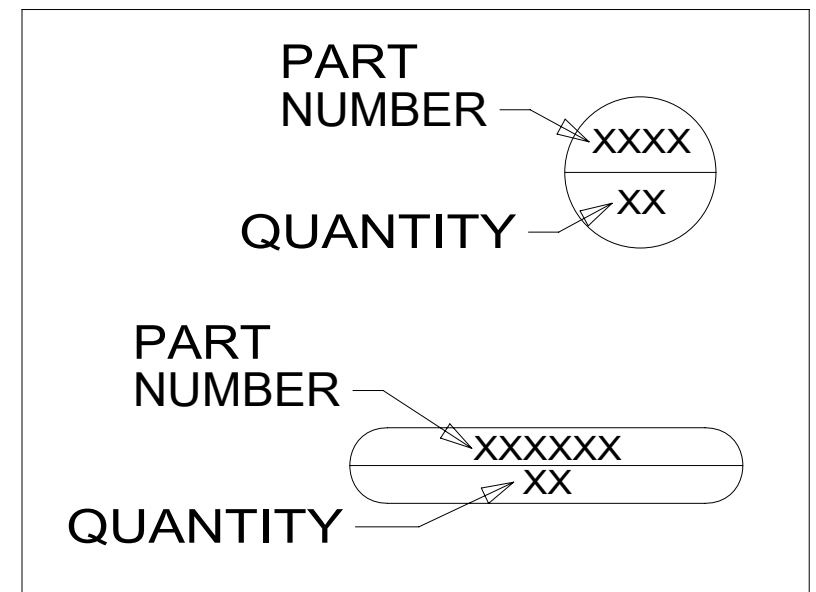
| NO | PART NUMBER | DESCRIPTION |
|-------|--|--|
| LF1-1 | LAMP 98024-01-CHT SCREW G11-08-16U (4) CONNECTOR 58028-01-000 (2) | LAMP ASM, FROSTED LENS, 1 BULB W/SWITCH PROGRESSIVE DYNAMICS INC.  |
| LF2-1 | LAMP 98024-03-CHT SCREW G11-08-16U (6) CONNECTOR 58028-01-000 (2) | LAMP ASM, FROSTED LENS, 2 BULB W/SWITCH PROGRESSIVE DYNAMICS INC.  |
| LO1-1 | LAMP 98024-05-CHT SCREW G11-08-16U (4) CONNECTOR 58028-01-000 (2) | LAMP ASM, OPTI CLEAR LENS, 1 BULB W/SWITCH PROGRESSIVE DYNAMICS INC.  |
| L02-1 | LAMP 98024-06-CHT SCREW G11-08-16U (6) CONNECTOR 58028-01-000 (2) | LAMP ASM, OPTI CLEAR LENS, 2 BULB W/SWITCH PROGRESSIVE DYNAMICS INC.  |
| LF1N1 | LAMP 98024-07-CHT SCREW G11-08-16U (4) CONNECTOR 58028-01-000 (2) | LAMP ASM, FROSTED LENS, 1 BULB W/O SWITCH PROGRESSIVE DYNAMICS INC.  |
| LF2N1 | LAMP 98024-08-CHT SCREW G11-08-16U (6) CONNECTOR 58028-01-000 (2) | LAMP ASM, FROSTED LENS, 2 BULB W/O SWITCH PROGRESSIVE DYNAMICS INC.  |
| LFSN1 | LAMP 98024-09-CHT SCREW G11-08-16U (6) CONNECTOR 58028-01-000 (2) | LAMP ASM, SINGLE FROSTED LENS, 2 BULB W/O SWITCH PROGRESSIVE DYNAMICS INC.  |

| NO | PART NUMBER | DESCRIPTION |
|-------|---|---|
| LF1-2 | LAMP 137417-01-CHT SCREW G11-08-16U (4) CONNECTOR 58028-01-000 (2) | LAMP ASM, FROSTED LENS, 1 BULB W/SWITCH PROGRESSIVE DYNAMICS INC.  |
| LF2-2 | LAMP 137417-04-CHT SCREW G11-08-16U (6) CONNECTOR 58028-01-000 (2) | LAMP ASM, FROSTED LENS, 2 BULB W/SWITCH PROGRESSIVE DYNAMICS INC.  |
| LO1-2 | LAMP 137417-02-CHT SCREW G11-08-16U (4) CONNECTOR 58028-01-000 (2) | LAMP ASM, OPTI CLEAR LENS, 1 BULB W/SWITCH PROGRESSIVE DYNAMICS INC.  |
| L02-2 | LAMP 137417-05-CHT SCREW G11-08-16U (6) CONNECTOR 58028-01-000 (2) | LAMP ASM, OPTI CLEAR LENS, 2 BULB W/SWITCH PROGRESSIVE DYNAMICS INC.  |
| LF1N2 | LAMP 137417-03-CHT SCREW G11-08-16U (4) CONNECTOR 58028-01-000 (2) | LAMP ASM, FROSTED LENS, 1 BULB W/O SWITCH PROGRESSIVE DYNAMICS INC.  |
| LFSN2 | LAMP 137417-06-CHT SCREW G11-08-16U (6) CONNECTOR 58028-01-000 (2) | LAMP ASM, SINGLE FROSTED LENS, 2 BULB W/O SWITCH PROGRESSIVE DYNAMICS INC.  |

| NO | PART NUMBER | DESCRIPTION |
|----------|--|---|
| LED-4 | LIGHT-LED,ROUND 183243-01-CHT SCREW G13-05-16U (3) CONNECTOR 58028-01-000 (2) .52A | LIGHT-LED,ROUND 4.75"  |
| LED-2 | LIGHT-LED,ROUND 183244-01-CHT SCREW G13-05-10U (2) CONNECTOR 58028-01-000 (2) .24A | LIGHT-LED,ROUND 3"  |
| LED-2C | LIGHT-LED,ROUND 183244-02-XXX SCREW G13-05-10U (2) .24A | LIGHT-LED,ROUND 3" W/2 PIN CONNECTOR  |
| CLED-1 | LAMP 188183-01-CHT SCREW G11-08-24U (4) CONNECTOR 58028-01-000 (2) | LAMP ASM-LED W/21 WARM WHITE LEDS W/SWITCH COMMAND ELECTRONICS  |
| CLED-2 | LAMP 188183-02-CHT SCREW G11-08-24U (4) CONNECTOR 58028-01-000 (2) | LAMP ASM-LED W/42 WARM WHITE LEDS W/SWITCH COMMAND ELECTRONICS  |
| CLED-3 | LAMP 188183-03-CHT SCREW G11-08-24U (4) CONNECTOR 58028-01-000 (2) | LAMP ASM-LED W/42 WARM WHITE LEDS W/O SWITCH COMMAND ELECTRONICS  |
| PRLED-4 | LIGHT-LED,ROUND 192176-01-CHT SCREW G13-06-16U (3) CONNECTOR 58028-01-000 (2) .30A | LIGHT-LED,ROUND 4.75" RECESSED MOUNT  |
| PRLED-2 | LIGHT-LED,ROUND 192180-01-CHT SCREW G13-06-16U (2) CONNECTOR 58028-01-000 (2) .20A | LIGHT-LED,ROUND 3" RECESSED MOUNT  |
| PSLED-4 | LIGHT-LED,ROUND 192179-01-CHT SCREW G13-05-10U (3) CONNECTOR 58028-01-000 (3) .30A | LIGHT-LED,ROUND 4.75" SURFACE MOUNT  |
| PSLED-2 | LAMP 192184-01-CHT SCREW G13-05-10U (2) CONNECTOR 58028-01-000 (2) .20A | LIGHT-LED,ROUND 3" SURFACE MOUNT  |
| PSSLED-2 | LAMP 192188-01-CHT SCREW G13-05-10U (2) CONNECTOR 58028-01-000 (2) .20A | LIGHT-LED,ROUND 3" SURFACE MOUNT W/SWITCH  |

LAMP ASM-PACKAGE,PORCH

| NO | PART NUMBER | DESCRIPTION |
|----------|---|---|
| LEXT-1 | LAMP 97917-01-CHT SCREW G67-10-129 (4) CONNECTOR 58028-01-000 (2) | LAMP ASM-PORCH, SURFACE MOUNT BARGMAN  |
| LEXT-2UL | LAMP 8089-01-000 SCREW G68-06-10E (2) CONNECTOR 58028-01-000 (2) | LAMP ASM-PORCH, RECESSED UL LIST JRV PROD  |
| LEXT-2CA | LAMP 8089-02-000 SCREW G68-06-10E (2) CONNECTOR 58028-01-000 (2) | LAMP ASM-PORCH, RECESSED CAN LIST JRV PROD  |
| LEXT-3 | LAMP 171513-01-CHT SCREW G67-10-129 (2) CONNECTOR 58028-01-000 (2) | LAMP ASM-PORCH SURFACE MOUNT OPTRONICS  |



LEGEND

| | | |
|------------|-------------------------|-----|
| FIRST USED | 96 MH'S | |
| TITLE: | DO NOT SCALE DRAWING | |
| TITLE: | PART LISTING-ELECTRICAL | |
| SHEET 3 | PART NO 121339 | REV |

*121339 A

LAMP ASM-PACKAGE,FLUORESCENT

LAMP ASM-PACKAGE,MAKEUP LAMP

LAMP ASM-PACKAGE,OTHER

LAMP ASM-PACKAGE,PANCAKE

| NO | PART NUMBER | DESCRIPTION |
|-------|---|---|
| FLU-1 | LAMP 91936-02-CHT SCREW G11-08-12U (4) CONNECTOR 58028-01-000 (2) | LAMP ASM-FLUORESCENT 12" 2 BULB W/SWITCH THIN-LITE |
| FLU-2 | LAMP 91936-01-CHT SCREW G11-08-12U (4) CONNECTOR 58028-01-000 (2) | LAMP ASM-FLUORESCENT 18" 2 BULB W/SWITCH THIN-LITE |
| FLU-3 | LAMP 127327-01-CHT SCREW G11-08-12U (2) CONNECTOR 58028-01-000 (2) | LAMP ASM-FLUORESCENT 18" 1-12" BULB W/SWITCH THIN-LITE |
| FLU-4 | LAMP 130338-01-CHT SCREW G11-08-12U (4) CONNECTOR 58028-01-000 (2) | LAMP ASM-FLUORESCENT 18" 2 BULB SURFACE MOUNT W/SWITCH THIN-LITE |
| FLU-5 | LAMP 153464-02-CHT SCREW G11-08-12U (4) CONNECTOR 58028-01-000 (2) | LAMP ASM-FLUORESCENT 12" 2 BULB W/SWITCH COOL WHITE BULB THIN-LITE CUTOUT-122 X 336 |
| FLU-6 | LAMP 130338-02-CHT SCREW G11-08-12U (4) CONNECTOR 58028-01-000 (2) | LAMP ASM-FLUORESCENT 18" 2 BULB SURFACE MOUNT WARM WHITE BULB W/SWITCH THIN-LITE |
| FLU-7 | LAMP 153464-05-CHT SCREW G11-08-12U (4) CONNECTOR 58028-01-000 (2) | LAMP ASM-FLUORESCENT 12" 2 BULB W/SWITCH WARM WHITE BULB THIN-LITE CUTOUT-122 X 336 |
| FLU-8 | LAMP 173072-01-CHT SCREW G11-08-12U (2) CONNECTOR 58028-01-000 (2) | LAMP ASM-FLUORESCENT 18" ONE 8 WATT BULB W/SWITCH OPTRONICS |
| FLUN1 | LAMP 91936-04-CHT SCREW G11-08-12U (4) CONNECTOR 58028-01-000 (2) | LAMP ASM-FLUORESCENT 12" 2 BULB W/O SWITCH THIN-LITE |
| FLUN2 | LAMP 91936-03-CHT SCREW G11-08-12U (4) CONNECTOR 58028-01-000 (2) | LAMP ASM-FLUORESCENT 18" 2 BULB W/O SWITCH THIN-LITE |
| FLUN3 | LAMP 153464-01-CHT SCREW G11-08-12U (4) CONNECTOR 58028-01-000 (2) | LAMP ASM-FLUORESCENT 12" 2 BULB W/O SWITCH COOL WHITE BULB THIN-LITE CUTOUT-122 X 336 |
| FLUN4 | LAMP 153464-03-CHT SCREW G11-08-12U (6) CONNECTOR 58028-01-000 (2) | LAMP ASM-FLUORESCENT 18" 2 BULB W/O SWITCH COOL WHITE BULB THIN-LITE CUTOUT-122 X 480 |
| FLUN5 | LAMP 153464-06-CHT SCREW G11-08-12U (6) CONNECTOR 58028-01-000 (2) | LAMP ASM-FLUORESCENT 18" 2 BULB W/O SWITCH WARM WHITE BULB THIN-LITE CUTOUT-122 X 480 |
| FLUN6 | LAMP 153464-04-CHT SCREW G11-08-12U (6) CONNECTOR 58028-01-000 (2) | LAMP ASM-FLUORESCENT 12" 2 BULB W/O SWITCH WARM WHITE BULB THIN-LITE CUTOUT-122 X 336 |

| NO | PART NUMBER | DESCRIPTION |
|--------|--|--|
| LMU3-1 | LAMP 110235-01-CHT SCREW W/SPACER (SUPPLIED) CONNECTOR 58028-01-000 (2) | LAMP ASM-MAKEUP (W/O MIRROR) 3 BULB (SUPPLIED) PROGRESSIVE DYNAMICS |
| LMM3-2 | LAMP 123774-03-CHT SCREW (SUPPLIED) BULB 123918-01-000 (3) CONNECTOR 58028-01-000 (2) | LAMP ASM-MAKEUP (W/MIRROR) 3 BULB GUSTOFSON |
| LMU3-2 | LAMP 138116-01-CHT SCREW (SUPPLIED) BULB 123918-01-000 (3) CONNECTOR 58028-01-000 (2) | LAMP ASM-MAKEUP (W/O MIRROR) 3 BULB GUSTOFSON |
| LMU3-3 | LAMP 162446-01-CHT SCREW (SUPPLIED) BULB 123918-01-000 (3) CONNECTOR 58028-01-000 (2) | LAMP ASM-MAKEUP (W/O MIRROR) 3 BULB GUSTOFSON |
| LMU3-4 | LAMP 138116-03-CHT SCREW (SUPPLIED) BULB 123918-01-000 (3) CONNECTOR 58028-01-000 (2) | LAMP ASM-MAKEUP 15" (W/O MIRROR) 3 BULB GUSTOFSON |
| LMU4-1 | LAMP 110235-02-CHT SCREW G11-08-16U (2) CONNECTOR 58028-01-000 (2) | LAMP ASM-MAKEUP (W/O MIRROR) 4 BULB PROGRESSIVE DYNAMICS |
| LMU4-2 | LAMP 138116-02-CHT SCREW (SUPPLIED) BULB 123918-01-000 (4) CONNECTOR 58028-01-000 (2) | LAMP ASM-MAKEUP (W/O MIRROR) 4 BULB GUSTOFSON |
| LMU4-3 | LAMP 162446-02-CHT SCREW (SUPPLIED) BULB 123918-01-000 (4) CONNECTOR 58028-01-000 (2) | LAMP ASM-MAKEUP (W/O MIRROR) 4 BULB GUSTOFSON |
| LMM4-2 | LAMP 123774-01-CHT SCREW G11-08-16U (2) BULB 123918-01-000 (4) CONNECTOR 58028-01-000 (2) | LAMP ASM-MAKEUP (W/MIRROR) 4 BULB GUSTOFSON |

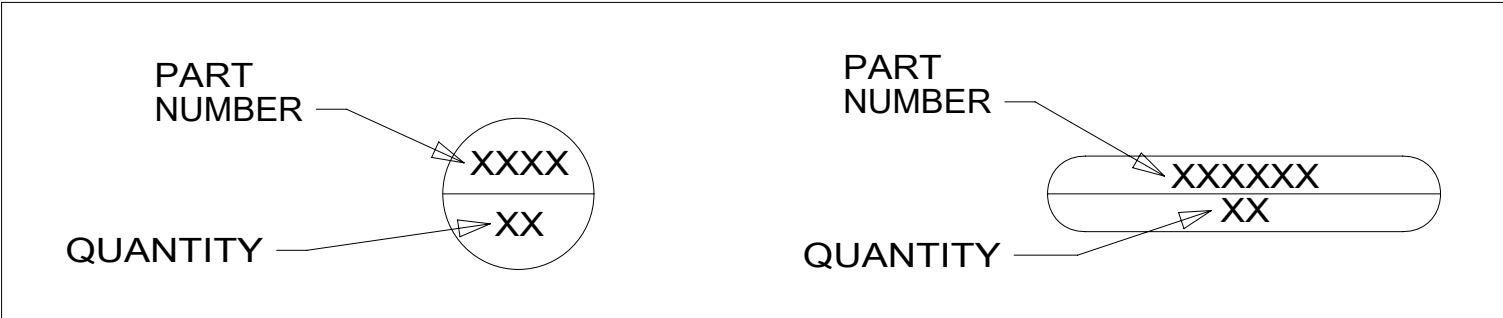
LAMP ASM-PACKAGE,HALOGEN

| NO | PART NUMBER | DESCRIPTION |
|-------|--|---|
| HAL | LAMP 123775-01-CHT SCREW (SUPPLIED) CONNECTOR 58028-01-000 (2) | LAMP ASM-HALOGEN, READING 1 BULB |
| HAL-S | LAMP 123775-01-CHT SPACER 123775-02-CHT SCREW G13-06-16U (3) CONNECTOR 58028-01-000 (2) | LAMP ASM-HALOGEN, READING WITH 3/4" SPACER 1 BULB |
| HAL-2 | LIGHT-HAL,ROUND 165170-01-CHT SCREW G13-05-10U (2) CONNECTOR 58028-01-000 (2) | LIGHT-HALOGEN, ROUND 3" |
| HAL-4 | LIGHT-HAL,ROUND 165643-01-CHT SCREW G13-05-16U (3) CONNECTOR 58028-01-000 (2) | LIGHT-HALOGEN, ROUND 4.5" |

| NO | PART NUMBER | DESCRIPTION |
|--------|--|--|
| LSH-1 | LAMP 121935-01-CHT SCREW G11-08-16U (4) CONNECTOR 58028-01-000 (2) | LAMP ASM-SHOWER PROGRESSIVE DYNAMICS INC. |
| LSH-2 | LAMP 164039-01-CHT SCREW G11-08-16U (3) CONNECTOR 58028-01-000 (2) | LIGHT-DOME,SHOWER |
| LSH-3 | LAMP 194316-01-CHT SCREW G13-07-12U (3) CONNECTOR 58028-01-000 (2) | LIGHT-DOME,SHOWER GLASS |
| LCR-1 | LAMP 61424-01-000 SCREW G11-08-12U (4) CONNECTOR 58028-01-000 (2) | LAMP ASM-COURTESY,AISLE RAMCO (RECTANGULAR) |
| LCS-1 | LAMP 108354-01-CHT SCREW G11-08-12U (4) CONNECTOR 58028-01-000 (2) | LAMP ASM-COURTESY,AISLE ITC MARINE (SQUARE) |
| READ-1 | LIGHT-READING 132427-01-CHT SCREW SUPPLIED W/ LIGHT CLIP-U 141395-02-CHT (2) CONNECTOR 58028-01-000 (2) | LIGHT-READING,SWIVEL,ROUND 1 BULB |
| READ-2 | LIGHT-READING 128786-02-CHT SCREW G11-08-16J (2) BULB 123917-01-000 CONNECTOR 58028-01-000 (2) | LIGHT,READING,SWIVEL |
| READ-3 | LIGHT-READING 170833-01-CHT SCREW SUPPLIED W/LIGHT CONNECTOR 58028-01-000 (2) | LIGHT,READING,HAL |
| READ-4 | LIGHT-READING, LED,FLEX 174060-01-CHT SCREW SUPPLIED W/LIGHT CONNECTOR 58028-01-000 (2) | LIGHT,READING,LED,FLEX |
| READ-5 | LIGHT-READING, LED,SWIVEL 174815-01-CHT SCREW SUPPLIED W/LIGHT CONNECTOR 58028-01-000 (2) | LIGHT,READING, LED SWIVEL .05 A |
| READ-6 | LIGHT-LED, READING,FLEXIBLE 194444-01-CHT SCREW SUPPLIED W/LIGHT CONNECTOR 58028-01-000 (2) | LIGHT-LED, READING, FLEXIBLE 0.14 A |

| NO | PART NUMBER | DESCRIPTION |
|--------|---|--|
| LF1-3 | LAMP 170693-01-CHT SCREW G11-08-16U (4) CONNECTOR 58028-01-000 (2) | LAMP ASM, FROSTED LENS, 1 BULB W/SWITCH GUSTAFSON |
| LF2-3 | LAMP 170693-04-CHT SCREW G11-08-24U (4) CONNECTOR 58028-01-000 (2) | LAMP ASM, FROSTED LENS, 2 BULB W/SWITCH GUSTAFSON |
| LO1-3 | LAMP 170693-02-CHT SCREW G11-08-16U (4) CONNECTOR 58028-01-000 (2) | LAMP ASM, OPTI CLEAR LENS, 1 BULB W/SWITCH GUSTAFSON |
| LO2-3 | LAMP 170693-05-CHT SCREW G11-08-24U (4) CONNECTOR 58028-01-000 (2) | LAMP ASM, OPTI CLEAR LENS, 2 BULB W/SWITCH GUSTAFSON |
| LF1N3 | LAMP 170693-03-CHT SCREW G11-08-16U (4) CONNECTOR 58028-01-000 (2) | LAMP ASM, FROSTED LENS, 1 BULB W/O SWITCH GUSTAFSON |
| LFSN3 | LAMP 170693-06-CHT SCREW G11-08-24U (4) CONNECTOR 58028-01-000 (2) | LAMP ASM, SINGLE FROSTED LENS, 2 BULB W/O SWITCH GUSTAFSON |
| LOS3 | LAMP 170693-07-CHT SCREW G11-08-24U (4) CONNECTOR 58028-01-000 (2) | LAMP ASM, OPTICLEAR LENS, 2 BULB W/O SWITCH GUSTAFSON |
| LO1N3 | LAMP 170693-08-CHT SCREW G11-08-16U (4) CONNECTOR 58028-01-000 (2) | LAMP ASM, OPTICLEAR LENS, 1 BULB W/O SWITCH GUSTAFSON |
| LSS-1 | LAMP 185214-01-CHT SCREW G11-08-24U (4) CONNECTOR 58028-01-000 (2) | LAMP ASM, STANDARD LENS, 1 BULB W/ SWITCH COMMAND ELECTRONICS |
| LSS-2 | LAMP 185214-02-CHT SCREW G11-08-24U (4) CONNECTOR 58028-01-000 (2) | LAMP ASM, STANDARD LENS, 2 BULB W/ SWITCH COMMAND ELECTRONICS |
| LS-2 | LAMP 185214-03-CHT SCREW G11-08-24U (4) CONNECTOR 58028-01-000 (2) | LAMP ASM, STANDARD LENS, 2 BULB W/O SWITCH COMMAND ELECTRONICS |
| LSSF-1 | LAMP 186632-01-CHT SCREW G11-08-24U (4) CONNECTOR 58028-01-000 (2) | LAMP ASM, FROSTED LENS, 1 BULB W/SWITCH COMMAND ELECTRONICS |
| LSSF-2 | LAMP 186632-02-CHT SCREW G11-08-24U (4) CONNECTOR 58028-01-000 (2) | LAMP ASM, FROSTED LENS, 2 BULB W/SWITCH COMMAND ELECTRONICS |
| LSF-2 | LAMP 186632-03-CHT SCREW G11-08-24U (4) CONNECTOR 58028-01-000 (2) | LAMP ASM, FROSTED LENS, 2 BULB W/O SWITCH COMMAND ELECTRONICS |

LEGEND



FIRST USED

96 MH'S

DO NOT SCALE DRAWING

TITLE: **PART LISTING-ELECTRICAL**

SHEET 4 PART NO **121339** REV

1 04-Nov-2015

D

D

C

C

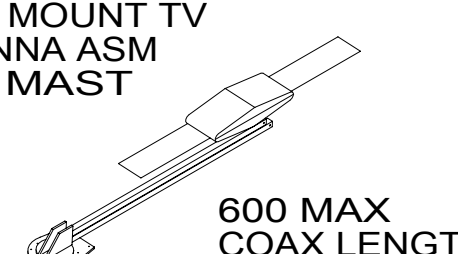
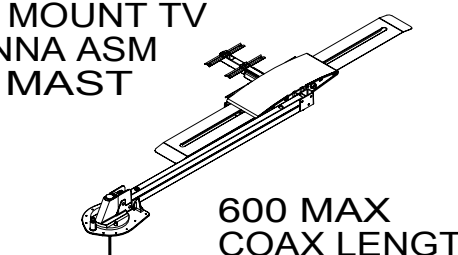
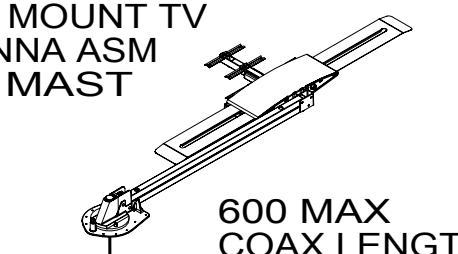
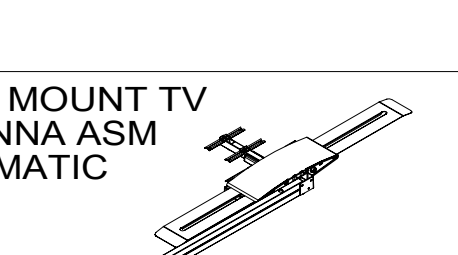


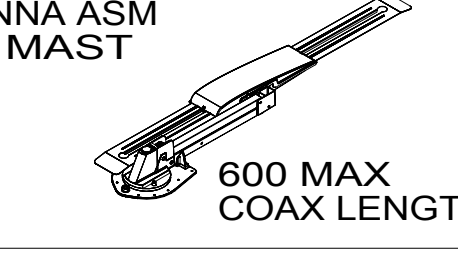


B

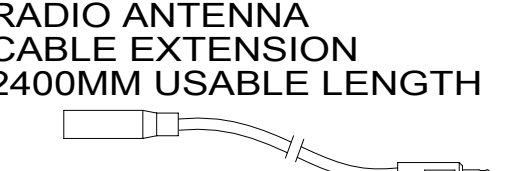

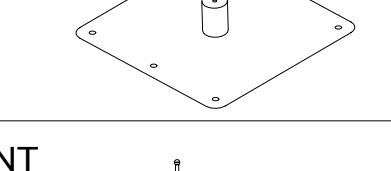
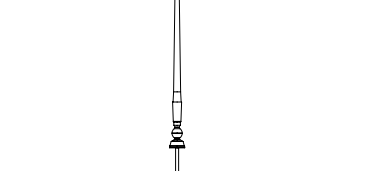
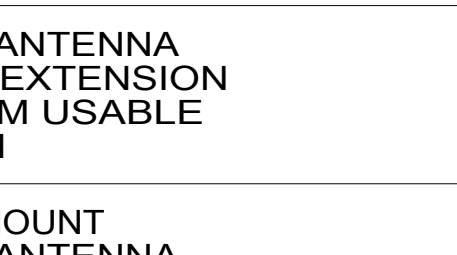
B

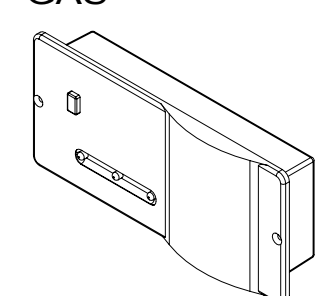
A

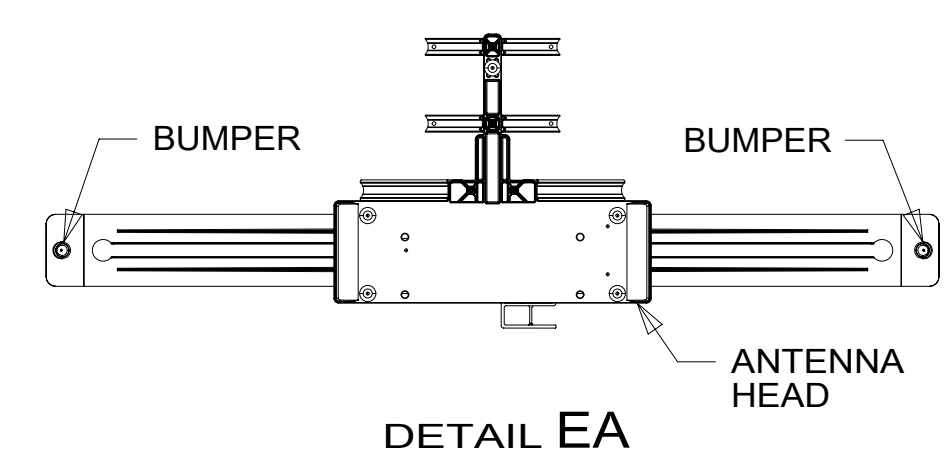
A

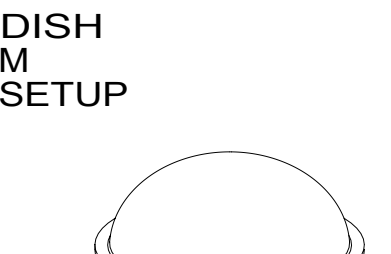

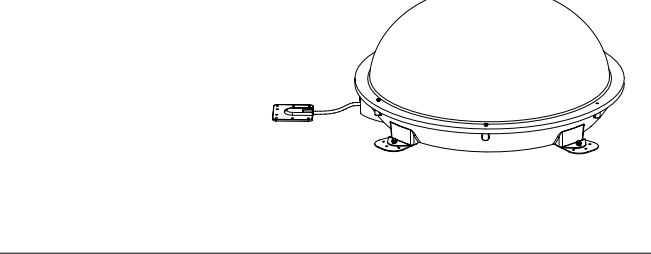
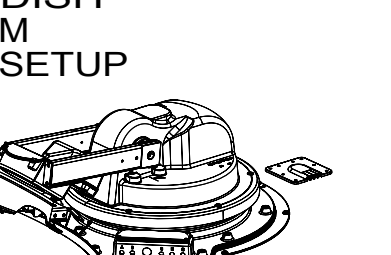

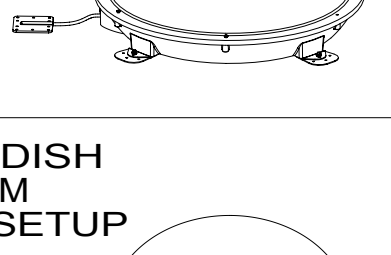
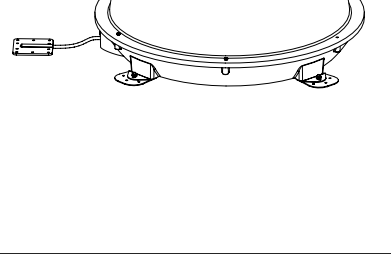
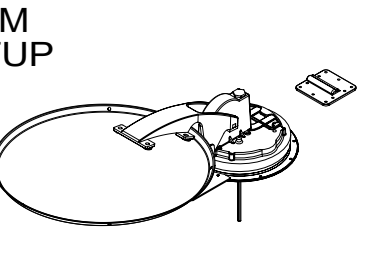
121339

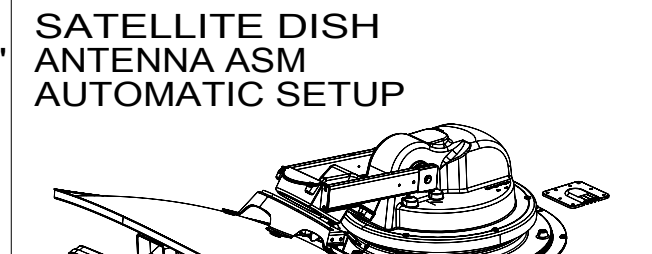

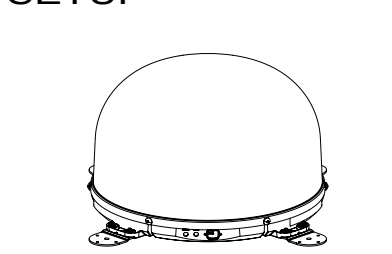
| ANTENNA ASM-PACKAGE | | |
|---------------------|---|--|
| NO | PART NUMBER | DESCRIPTION |
| ANT-1 | ANTENNA 76319-24-000 HARDWARE-INTERIOR 76319-25-000 BUMPER 69726-02-000 (2) CLIP 80734-02-000 | ROOF MOUNT TV ANTENNA ASM 25.5" MAST  600 MAX COAX LENGTH |
| ANT-2 | ANTENNA 173519-01-CHT HARDWARE-INTERIOR 76319-25-000 BUMPER 69726-02-000 (2) ADAPTER SUPPLIED W/ANTENNA | ROOF MOUNT TV ANTENNA ASM 44.5" MAST  600 MAX COAX LENGTH |
| ANT-2W | ANTENNA 173519-01-CHT HARDWARE-INTERIOR 76319-25-000 BUMPER 69726-02-000 (2) ADAPTER SUPPLIED W/ANTENNA WEDGE 76319-26-000 | ROOF MOUNT TV ANTENNA ASM 44.5" MAST  600 MAX COAX LENGTH |
| ANTA-1 | ANTENNA 158270-01-CHT BUMPER 69726-02-000 (2) ADAPTER SUPPLIED W/ANTENNA ANTENNA-WINGMAN, ACCESSORY 173519-03-CHT | ROOF MOUNT TV ANTENNA ASM AUTOMATIC  600 MAX COAX LENGTH |
| ANT-4 | ANTENNA 173519-01-CHT HARDWARE-INTERIOR 76319-25-000 BUMPER 69726-02-000 (2) ADAPTER SUPPLIED W/ANTENNA ANTENNA-HANDLE EXTENSION 173519-02-CHT | ROOF MOUNT TV ANTENNA ASM 44.5" MAST  600 MAX COAX LENGTH |
| ANT-7 | ANTENNA 173519-04-CHT HARDWARE-INTERIOR 76319-25-000 BUMPER 69726-02-000 (2) ADAPTER SUPPLIED W/ANTENNA | ROOF MOUNT TV ANTENNA ASM 44.5" MAST  600 MAX COAX LENGTH |
| ANT-3 | ANTENNA-TV ROOF MNT ROUND 167632-01-CHT PLATE-ROOF, CABLE ENTRY 146488-01-000 SCREW G67-10-129 (10) CABLE ASM-COAX 87105-01-012 ADAPTER 82134-01-000 | ROOF MOUNT OMNI- DIRECTIONAL ANTENNA MOUNTING SCREWS SUPPLIED WITH ANTENNA  |
| ANT-5 | ANTENNA-TV ROOF 179004-05-CHT EXTENSION 179004-06-000 SCREW G39-10-12U (8) | ROOF MOUNT TV ANTENNA, 11" FIXED HEIGHT FOR FOR THICKNESS RANGE OF 2.5" TO 6"  |
| ANT-6 | ANTENNA-TV ROOF 179004-03-CHT SCREW G39-10-12U (8) N/A REPLACED BY ANT-8 | ROOF MOUNT TV ANTENNA, 11" FIXED HEIGHT FOR FOR THICKNESS RANGE OF 1.25" TO 3.5"  |

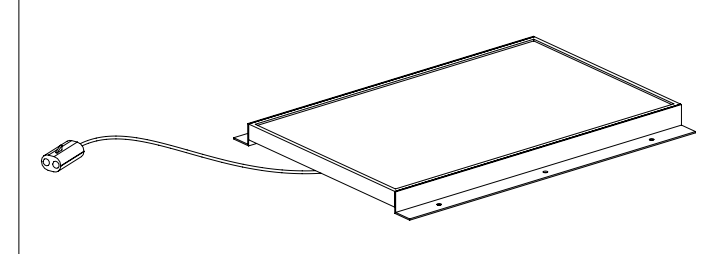
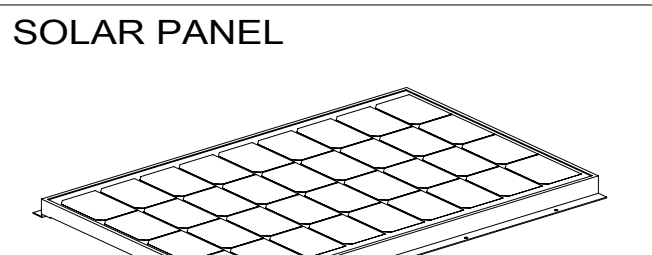
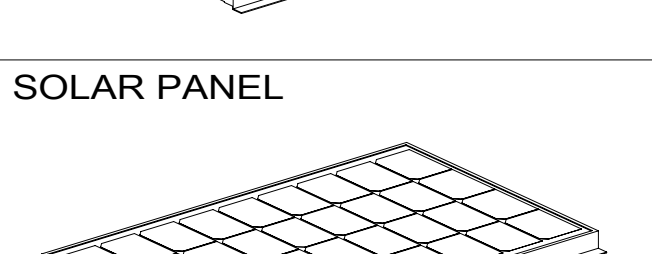
| ANTENNA ASM-PACKAGE | | |
|---------------------|---|--|
| NO | PART NUMBER | DESCRIPTION |
| ANTEXT-1 | CABLE ASM-EXTENS 77069-02-000 | RADIO ANTENNA CABLE EXTENSION 2400MM USABLE LENGTH  |
| ANTKIT-1 | ADAPTER-PLATE 76319-06-000 SCREW G11-08-08T (6) CLIP-WIRE 80734-02-000 SCREW G11-08-08T | PLATE ASM-ADAPTERS CABLE ROOF MOUNTING PLATE W/ CABLE-CABLE ADAPTER, FITTINGS, AND CABLE RETAINING CLIP  |
| ANT-R | ANTENNA-RADIO 90944-01-000 EXTENDER-SHAFT ANTENNA 109889-04-000 BRACKET-ANTENNA GROUND 147741-01-CHT | ROOF MOUNT RADIO ANTENNA  |
| ANTEXT-2 | CABLE ASM-EXTENS 77069-03-000 | RADIO ANTENNA CABLE EXTENSION 6600 MM USABLE LENGTH |
| ANT-A | ANTENNA-RADIO 90944-01-000 EXTENDER-SHAFT 76 MM 171825-01-000 (2) BRACKET-GROUND 147741-01-CHT NUT OMD01K-06-000 (2) | ROOF MOUNT RADIO ANTENNA THICK ROOF  |
| ANT-8 | ANTENNA-TV ROOF 179004-05-CHT SCREW G39-10-12U (8) | ROOF MOUNT TV ANTENNA, 8.5" FIXED HEIGHT FOR FOR THICKNESS RANGE OF 1" TO 3.5"  |

| SENSORS | | |
|---------|---|--|
| NO | PART NUMBER | DESCRIPTION |
| LPGD | LP GAS DETECTOR 150138-03-CHT SCREW G68-06-10U (2) | DETECTOR-LP GAS  |



| SATELLITE DISH INSTL | | |
|----------------------|---|---|
| NO | PART NUMBER | DESCRIPTION |
| DA-1 | SATELLITE DISH 163598-01-CHT PLATE-ROOF, CABLE ENTRY QUAD 146488-03-000 SCREW G67-10-12U (8) (FOR PLATE) SCREW G39-10-12U (12) (FOR SATELLITE DISH) | SATELLITE DISH ANTENNA ASM AUTOMATIC SETUP  |
| DA-2 | SATELLITE DISH 163598-01-CHT PLATE-ROOF, CABLE ENTRY QUAD 146488-03-000 SCREW G67-10-08U (8) (FOR PLATE) SCREW G39-10-12U (12) (FOR SATELLITE DISH) | SATELLITE DISH ANTENNA ASM AUTOMATIC SETUP  |
| DA-3 | SATELLITE DISH WINEGARD TRAV'LER 183415-01-000 SCREW G67-10-12U (9) PLATE-ENTRY (SUPPLIED WITH DISH) SCREW G67-10-08U (8) ADAPTER-COAX 82134-01-000 | SATELLITE DISH ANTENNA ASM AUTOMATIC SETUP  |
| DI-1 | SATELLITE DISH 154474-04-CHT SCREW G39-10-12B (12) PLATE 146488-01-000 SCREW G67-10-12B (10) | SATELLITE DISH ANTENNA ASM IN MOTION SETUP  |
| DI-2 | SATELLITE DISH 163598-05-CHT PLATE-ROOF, CABLE ENTRY QUAD 146488-03-000 SCREW G67-10-08U (8) (FOR PLATE) SCREW G39-10-12U (12) (FOR SATELLITE DISH) | SATELLITE DISH ANTENNA ASM IN MOTION SETUP  |
| DM-1 | SATELLITE DISH 137135-02-000 SCREW G67-10-12B (8) PLATE & BRACKET (SUPPLIED) SCREW G67-10-12B (10) | SATELLITE DISH ANTENNA ASM MANUAL SETUP  |
| DM-2 | SATELLITE DISH 137135-05-000 PLATE-ROOF ENTRY (SUPPLIED WITH SATELLITE DISH) SCREW G67-10-12U (8) (FOR ROOF PLATE) SCREW G67-10-12U (10) (FOR SATELLITE DISH) | SATELLITE DISH ANTENNA ASM MANUAL SETUP  |
| DM-3 | SATELLITE DISH 137135-05-000 PLATE-ROOF, ENTRY (SUPPLIED WITH SATELLITE DISH) SCREW G67-10-12U (8) (FOR ROOF PLATE) SCREW G67-10-12U (10) (FOR SATELLITE DISH) HANDLE EXTENSION 173519-02-CHT | SATELLITE DISH ANTENNA ASM MANUAL SETUP  |

| SATELLITE DISH INSTL | | |
|----------------------|--|---|
| NO | PART NUMBER | DESCRIPTION |
| DA-4 | SATELLITE DISH WINEGARD TRAV'LER "SWM" 183415-04-000 SCREW G39-08-12U (9) (FOR SATELLITE DISH) PLATE-ENTRY (SUPPLIED WITH DISH) SCREW G67-10-12U (8) (FOR PLATE) ADAPTER-COAX 82134-01-000 | SATELLITE DISH ANTENNA ASM AUTOMATIC SETUP  |
| DI-3 | SATELLITE DISH 186102-01-CHT PLATE-ENTRY (SUPPLIED W/DISH) SCREW G67-10-12U (8) (FOR PLATE) CONVOLUTED TUBING 041953-06-000 (200) SCREW G39-08-08U (12) (FOR SATELLITE DISH) | SATELLITE DISH ANTENNA ASM IN MOTION SETUP  |
| DA-5 | SATELLITE DISH 186102-03-CHT PLATE-ENTRY (SUPPLIED W/DISH) SCREW G67-10-12U (8) (FOR PLATE) CONVOLUTED TUBING 041953-06-000 (200) SCREW G39-08-08U (12) (FOR SATELLITE DISH) COAX 163598-04-000 (2) ADAPTOR-COAX 82134-01-000 (2) | SATELLITE DISH ANTENNA ASM AUTOMATIC SETUP  |

| PANELS | | |
|--------|--|--|
| NO | PART NUMBER | DESCRIPTION |
| SOLAR | PANEL-SOLAR 10 WATT 176261-01-000 SCREW G11-08-12U (4) | SOLAR PANEL  |
| SOL-1 | PANEL-SOLAR 100 WATT 181676-01-000 SCREW G39-10-12U (8) PLATE 146488-01-000 SCREW G67-10-12U (10) | SOLAR PANEL  |
| SOL-2 | PANEL-SOLAR 100 WATT 191276-01-CHT MOUNTING FEET-SOLAR 191280-01-000 SCREW G39-10-12U (12) | SOLAR PANEL  |

LEGEND

PART NUMBER → XXXX
QUANTITY → XX

PART NUMBER → XXXXXX
QUANTITY → XX

1 ADD BUMPER TO BOTTOM SIDE OF ANTENNA WINGS TO PREVENT DAMAGE TO ROOF. SEE DETAIL EA.

NOTES:

FIRST USED

96 MH'S

DO NOT SCALE DRAWING

TITLE: **PART LISTING-ELECTRICAL**

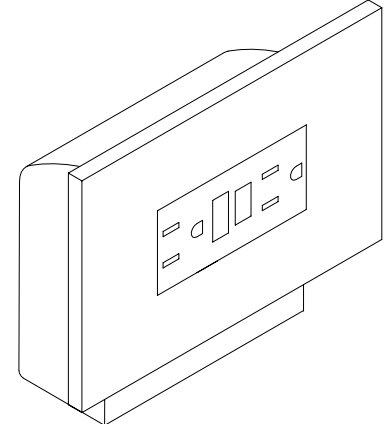
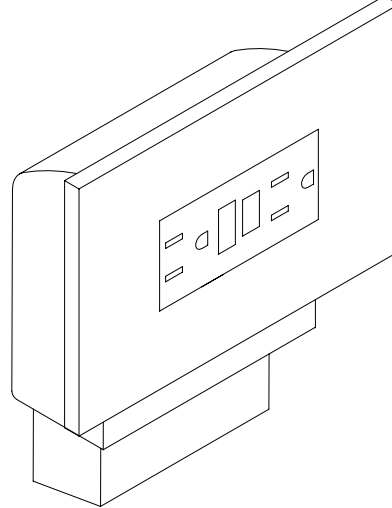
SHEET 5 PART NO **121339** REV

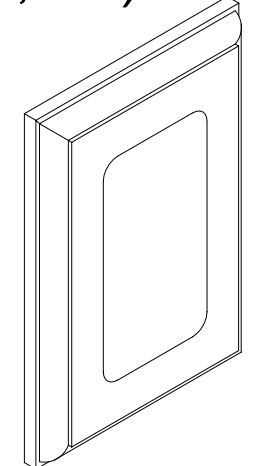
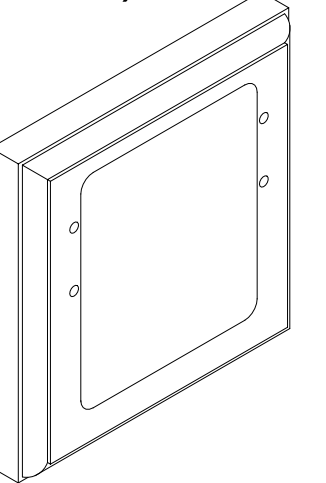
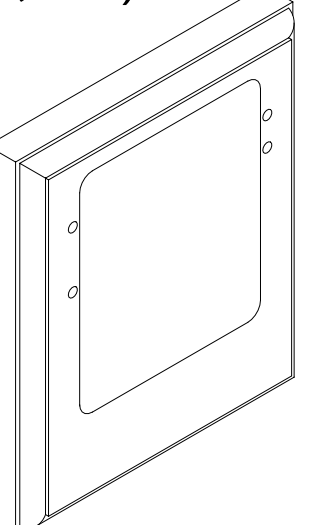
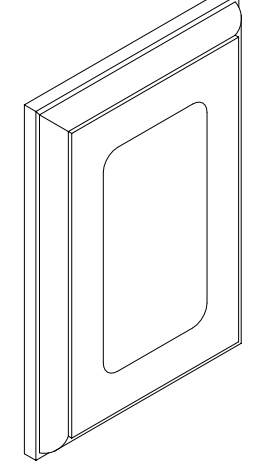
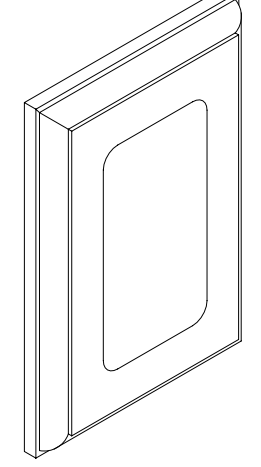
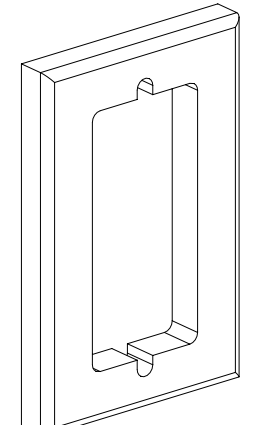
1 04-Nov-2015

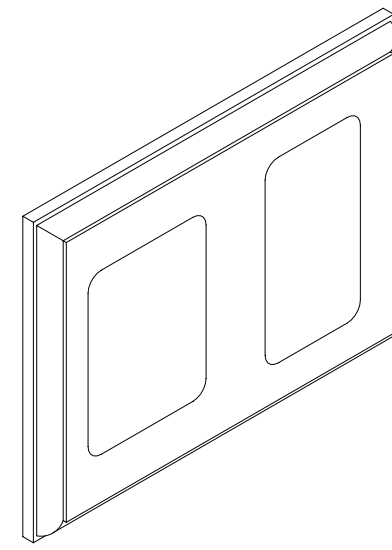
121339

RECEPTACLE PACKAGE-GFI

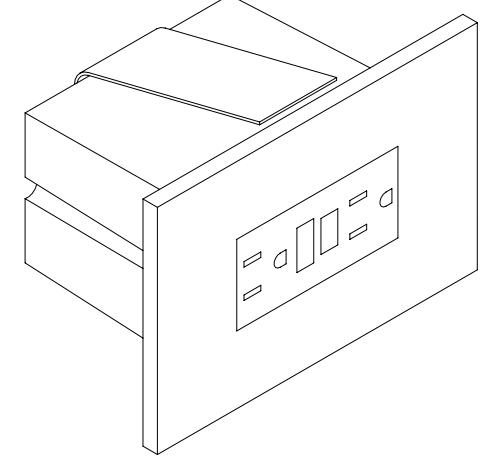
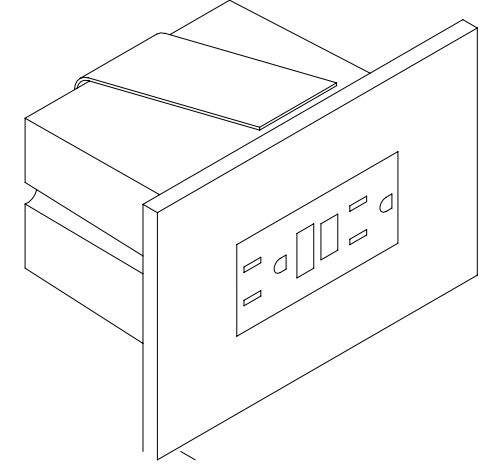
SPACERS

| NO | PART NUMBER | DESCRIPTION |
|------------|--|---|
| GFI US | RECEPTACLE 163319-01-CHT BOX 91910-01-000 SCREW G13-07-12B (4) CONNECTOR 8313-01-000 TUBING-VINYL 8041-02-000 (300MM) ¹ WIRE BONDING 133678-03-000 | GFI RECEPTACLE WITH COVER AND BOX FOR US APPLICATION  |
| GFI CAN | RECEPTACLE 163319-01-CHT BOX 91910-01-000 WIRE-BONDING 133678-03-000 (2) SCREW G13-07-12B (4) CONNECTOR 8313-01-000 TUBING-VINYL 8041-02-000 (300MM) ¹ | GFI RECEPTACLE WITH COVER AND BOX FOR CANADA APPLICATION  |

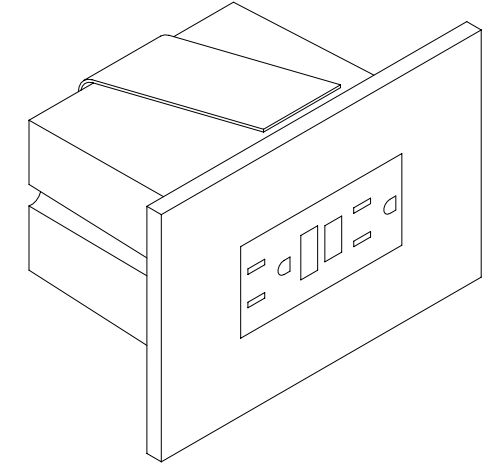
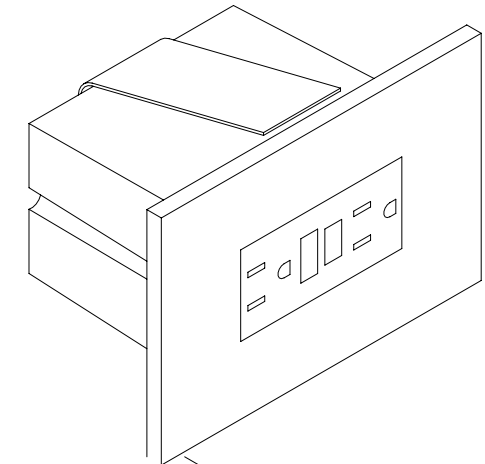
| NO | PART NUMBER | DESCRIPTION |
|-------|-------------------------|---|
| SP-01 | SPACER 102568-01-XXX | STANDARD 110V RECEPTACLE SPACER (WOOD,VYL RAP,OG)  |
| SP-02 | SPACER 102568-02-XXX | WOOD SPACER FOR CEILING MOUNTED A/C PREP BOX (US) (WOOD,VYL RAP,OG)  |
| SP-03 | SPACER 102568-03-XXX | WOOD SPACER FOR CEILING MOUNTED A/C PREP BOX (CANADA) (WOOD,VYL RAP,OG)  |
| SP-04 | SPACER 133713-01-CHT | STANDARD 110V RECEPTACLE SPACER (WOOD,VYL RAP,BEV)  |
| SP-05 | SPACER 133713-20-XXX | STANDARD 110V RECEPTACLE SPACER (WOOD,BEV)  |
| SP-06 | SPACER 190488-01-CHT | STANDARD 110V RECEPTACLE SPACER (WOOD,VINYL WRAP,ROUNDED EDGE)  |

| | | |
|-------|-------------------------|---|
| SP-21 | SPACER 126052-01-XXX | WOOD SPACER FOR 1 - 110V RECEPTACLE AND 1 - REAR TV (12V) JACK (WOOD,BEV)  |
|-------|-------------------------|---|

RECEPTACLE PACKAGE-GFI

| NO | PART NUMBER | DESCRIPTION |
|--------------|---|---|
| GFI-2 US | RECEPTACLE 163319-02-CHT BOX 133070-01-000 SCREW G13-07-12B (4) CONNECTOR 8313-01-000 TUBING-VINYL 8041-02-000 (300MM) ¹ WIRE BONDING 133678-03-000 | GFI RECEPTACLE WITH COVER AND BOX FOR US APPLICATION  |
| GFI-2 CAN | RECEPTACLE 163319-02-CHT BOX 133070-02-000 WIRE-BONDING 133678-03-000 (2) SCREW G13-07-12B (4) CONNECTOR 8313-01-000 TUBING-VINYL 8041-02-000 (300MM) ¹ | GFI RECEPTACLE WITH COVER AND BOX FOR CANADA APPLICATION  |

RECEPTACLE PACKAGE-GFI

| NO | PART NUMBER | DESCRIPTION |
|--------------|---|---|
| GFI-1 US | RECEPTACLE 163319-01-CHT BOX 133070-01-000 SCREW G13-07-12B (4) CONNECTOR 8313-01-000 TUBING-VINYL 8041-02-000 (300MM) ¹ WIRE BONDING 133678-01-000 | GFI RECEPTACLE WITH COVER AND BOX FOR US APPLICATION  |
| GFI-1 CAN | RECEPTACLE 163319-01-CHT BOX 133070-02-000 WIRE-BONDING 133678-03-000 (2) SCREW G13-07-12B (4) CONNECTOR 8313-01-000 TUBING-VINYL 8041-02-000 (300MM) ¹ | GFI RECEPTACLE WITH COVER AND BOX FOR CANADA APPLICATION  |

LEGEND

| MISC. | SPACER |
|---------------------|---------------------|
| PART NUMBER XXXX | PART NUMBER XXXX |
| LISTING XXX | |

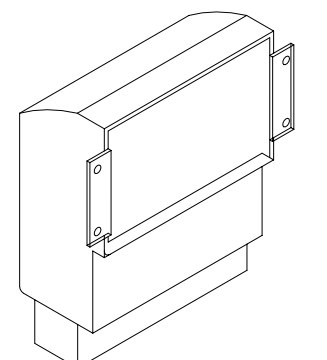
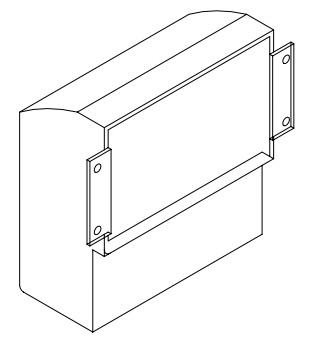
NOTES:
¹ APPLY TUBING TO BARE GROUND WIRES.

FIRST USED
96 MH'S
DO NOT SCALE DRAWING
TITLE:
PART LISTING-ELECTRICAL
SHEET 6 PART NO **121339** REV
1 04-Nov-2015

121339

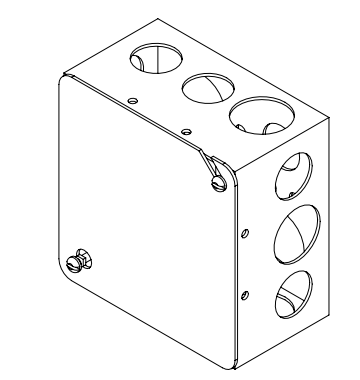
PREP-A/C, RECESSED (W/OUT FACTORY A/C)

| NO | PART NUMBER | DESCRIPTION |
|-----------------|--|--|
| PREP A/C-US | BOX 91910-02-000 COVER 84099-02-CHT LABEL 91243-01-000 SCREW G13-07-12B (4) CONNECTOR 8313-01-000 (3) | BOX AND EQUIPMENT USED FOR A/C PREP (W/OUT FACTORY A/C). US APPLICATION (RECESSED IN ROOF) |
| PREP A/C-CAN | BOX 91910-01-000 COVER 84099-02-CHT LABEL 91243-01-000 SCREW G13-07-12B (4) CONNECTOR 8313-01-000 (3) | BOX AND EQUIPMENT USED FOR A/C PREP (W/OUT FACTORY A/C). CANADA APPLICATION (RECESSED IN ROOF) |



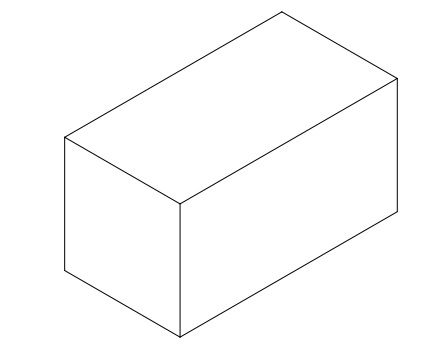
CONNECTION BOX, GENERATOR SERVICE FEED

| NO | PART NUMBER | DESCRIPTION |
|----------------|--|--|
| J-GEN 30 | BOX 8289-01-000 COVER | BOX AND EQUIPMENT USED FOR CONNECTING THE GENERATOR LEADS TO THE SERVICE ENTRANCE WIRES (US & CA APPLICATION) |
| J-GEN 30-US | 8294-01-000 SCREW G67-10-10B (2) WIRE ASM-GROUND | |
| J-GEN 30-CA | 133678-02-000 WIRE NUT-GREY 8314-01-000 (3) CONNECTOR-WIRE 8356-01-000 | |



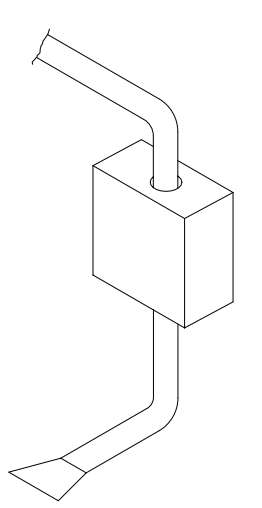
PREP-A/C, SURFACE (W/OUT FACTORY A/C)

| NO | PART NUMBER | DESCRIPTION |
|--------------|--|---|
| PREP SURF | BOX 93603-01-000 COVER 53337-01-000 LABEL 91243-01-000 WIRE-BONDING 8019-01-000 SCREW G11-08-12B (2) TERMINAL 8328-01-000 CONNECTOR 8313-01-000 (2) CONNECTOR 8311-01-000 | SURFACE MOUNT, US AND CANADA, BOX AND EQUIPMENT FOR A/C PREP (W/OUT FACTORY A/C). TYPICALLY LOCATED ON OVERHEAD CABINET INNER WALL OR ON CEILING. |



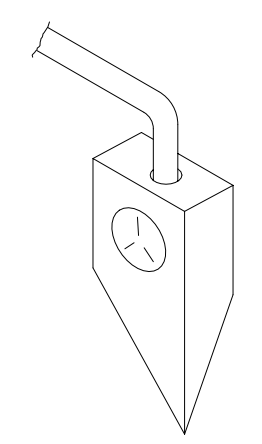
CONNECTION BOX-POWER CORD

| NO | PART NUMBER | DESCRIPTION |
|---------------|--|---|
| J-PC 30 | BOX 8289-01-000 COVER | CONNECTION BOX IN POWER CORD COMPT FOR POWER CORD (US & CA APPLICATION) |
| J-PC 30-US | 8294-01-000 SCREW G67-10-10B (2) WIRE ASM-GROUND | |
| J-PC 30-CA | 133678-02-000 CONNECTOR 8314-01-000 (3) CONNECTOR 8356-02-000 CONNECTOR (PC) 8355-01-000 | |

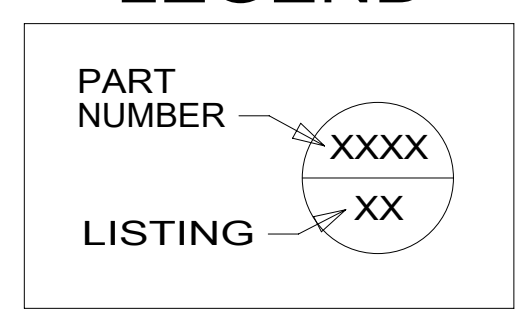


CONNECTION BOX-GENERATOR RECEPTACLE

| NO | PART NUMBER | DESCRIPTION |
|----------------|---|--|
| J-RCP 30 | BOX 8289-01-000 RECEPTACLE | CONNECTION BOX IN POWER CORD COMPT FOR THE GENERATOR RECEPTACLE (US & CA APPLICATION) |
| J-RCP 30-US | 24924-02-000 COVER 69238-01-000 SCREW G67-10-10B (2) WIRE ASM-GROUND | |
| J-RCP 30-CA | 133678-02-000 133678-04-000 CONNECTOR 8314-01-000 TUBING-VINYL 8041-02-000 (1) | |



LEGEND



1 APPLY TUBING TO BARE GROUND WIRES.

| | | | |
|------------|--------------------------------|--------|---------------|
| FIRST USED | 96 MH'S | | |
| TITLE: | DO NOT SCALE DRAWING | | |
| | PART LISTING-ELECTRICAL | | |
| SHEET 7 | PART NO | 121339 | REV |
| | | | 1 04-Nov-2015 |

121339

WIRE IDENTIFICATION CHART

| CODE/COLOR | FROM: | TO: | CODE/COLOR | FROM: | TO: |
|-----------------|---|--|------------------|---|--|
| A 14 YEL | GALLEY CEILING LAMP SWITCH | GALLEY CEILING LAMP | X 14 YEL | - CHASSIS BRAKE LAMP CIRCUIT | - CENTER MOUNT BRAKE LAMP |
| B 12 YEL | OVERCURRENT PROTECTION (30A BREAKER TYPICAL) | POWER PASSENGER SEAT ("BUDDY SEAT") | Y 16 YEL | VOLUME CONTROL | RADIO/TV SPEAKER |
| C 12 WHT | POWER PASSENGER SEAT | GROUND | Z 6 BLK | OVERCURRENT PROTECTION (45 OR 55A BREAKER TYP) | COACH 12V PANEL |
| D 14 YEL | SHOWER OVHD LAMP SWITCH SEE WIRE PF, START OF 97 | SHOWER OVHD LAMP | AA 16 WHT | SERVICE ENGINE SOON LAMP | VEHICLE SERVICE ENGINE SOON LAMP CIRCUIT |
| E 095038-01- | PHONE INPUT JACK | REAR PHONE JACK | AB 16 WHT | WATER TANK LEVEL SENSORS | GROUND |
| F 095038-01- | PHONE INPUT JACK | EXTERIOR PHONE JACK | AC 16 WHT | MAIN HOLDING TANK SENSORS (BLACK WATER) | GROUND |
| G 12/ 10 YEL | OVERCURRENT PROTECTION (30A BREAKER TYPICAL) | HIGH SPEED HEATER FAN (USE 10 IF OVER 6' RUN) | AD 16 WHT | AUXILIARY HOLDING TANK #1 (GRAY WATER) | GROUND |
| H 095038-01- | PHONE INPUT JACK | FRONT PHONE JACK | AE 16 WHT | AUXILIARY HOLDING TANK #2 (GRAY WATER) | GROUND |
| J 6 BLK | OVERCURRENT PROTECTION (45 OR 55A BREAKER TYP) | COACH 12V PANEL/ CONVERTER BATTERY CHARGE | AF 12 YEL | WATER PUMP SWITCH #1 | MONITOR PANEL WATER PUMP SWITCH |
| K 6 BLK | OVERCURRENT PROTECTION (45 OR 55A BREAKER TYP) | COACH 12V PANEL | AG 12 YEL | WATER PUMP SWITCH #1 | MONITOR PANEL WATER PUMP SWITCH |
| L 6 GRN | CONVERTER 45 OR 55 AMP | GROUND | AH 14 YEL | OVERCURRENT PROTECTION (10A FUSE TYPICAL) | BRAKE LAMP SWITCH WARNING LAMP (IGNITION RUN/START FED) |
| M 6 BLK | OVERCURRENT PROTECTION (45 OR 50A BREAKER) | CONVERTER BATTERY CHARGE | AJ 12 WHT | CHASSIS GROUND | BODY GROUND |
| N 10 WHT | REFRIGERATOR | GROUND | AK 12 WHT | CHASSIS GROUND | BODY GROUND |
| P 10YEL(BLK) | OVERCURRENT PROTECTION (20A FUSE TYPICAL) | REFRIGERATOR (3 WAY) | AL 12 YEL | HEATER CONTROL (LOW SPEED) | BLOWER MOTOR (LOW SPEED) |
| R 8 GRN | REFRIGERATOR CHASSIS | GROUND | AM 12YEL(WHT) | HEATER CONTROL (MEDIUM/LOW SPEED) | BLOWER MOTOR (MEDIUM/LOW SPEED) |
| S 8 OR 6 GRN | GROUND BAR (LEFT SIDE) | CHASSIS GROUND | AN 12 YEL | HEATER CONTROL (MEDIUM/HIGH SPEED) | BLOWER MOTOR (MEDIUM/HIGH SPEED) |
| T 8 OR 6 GRN | GROUND BAR (RIGHT SIDE) | CHASSIS GROUND | AP 14 YEL | IGNITION SWITCH ACCESSORY FEED | OVERCURRENT PROTECTION (15A FUSE TYPICAL) |
| U 6 GRN | CONVERTER CHASSIS | GROUND | AR 14 WHT | HORN, FOG LAMPS | GROUND |
| W 8 GRN | - GROUND STUD | - GROUND STUD | AS 18 WHT | DASH RADIO | RIGHT FRONT SPEAKER (NEGATIVE) |

WIRE IDENTIFICATION CHART

| CODE/COLOR | FROM: | TO: | CODE/COLOR | FROM: | TO: |
|--------------|---|---|------------------|---|---|
| AT 18 WHT | DASH RADIO | LEFT FRONT SPEAKER (NEGATIVE) | BR 14 YEL | POWER MIRROR (RIGHT SIDE) | POWER MIRROR CONTROL SWITCH |
| AU 16 YEL | OVERCURRENT PROTECTION (15A BREAKER TYPICAL) | FRONT CARGO LAMP SWITCH (IGNITION ACCESSORY FED) | BS 14 YEL | POWER MIRROR HEAT SWITCH | POWER MIRRORS |
| AW 16 YEL | FRONT CARGO LAMP SWITCH | REAR CARGO LAMP SWITCH | BT 14 YEL | POWER MIRROR (LEFT SIDE) | POWER MIRROR CONTROL SWITCH |
| AX 16 YEL | FRONT CARGO LAMP SWITCH | REAR CARGO LAMP SWITCH | BU 14 YEL | RUN ONLY POWER | POWER MIRROR HEAT/ CONTROL SWITCHES |
| AY 16 YEL | REAR CARGO LAMP SWITCH | CARGO LAMPS | BW 12 YEL | IGNITION SWITCH | ACCESSORY CIRCUIT FEED |
| BA 14 WHT | WINDSHIELD WIPER MOTOR | GROUND | BX 12YEL(ORN) | IGNITION SWITCH RUN ONLY SOURCE | GENERAL(TURN, BACK UP,DASH IGNITION CIRCUIT,ETC) |
| BB 16 YEL | OVERCURRENT PROTECTION (6A BREAKER TYPICAL) | INSTRUMENT PANEL GAUGES (IGNITION ACCESSORY FED) | BY 12YEL/8BLK | OVERCURRENT PROTECTION (16GA FUSELINK)(8GA PASSTHRU) | CHASSIS BATTERY SOURCE(AUTO AC BLOWER,POWER DRIVER SEAT,ETC) |
| BC 14 WHT | INDICATOR LAMPS | GROUND | CA 12 YEL | OVERCURRENT PROTECTION (16GA FUSELINK TYPICAL) | CHASSIS BATTERY SOURCE |
| BD 14 YEL | OVERCURRENT PROTECTION (10A FUSE TYPICAL) | BRAKE LAMP SWITCH | CB 12 YEL | IGNITION SWITCH START SOURCE | START CIRCUIT SOURCE |
| BE 12 WHT | BLOWER MOTOR | GROUND | CC 16 YEL | ALTERNATOR | ALTERNATOR WARNING LAMP |
| BF 14 WHT | WASHER BOTTLE PUMP/HORN | GROUND | CD 16 YEL | OIL PRESSURE WARNING SENDER | OIL PRESSURE WARNING LAMP |
| BG 14 YEL | FUEL SENDER | FUEL GAUGE | CE 16 YEL | WATER TEMPERATURE WARNING SENDER | WATER TEMPERATURE WARNING LAMP |
| BH 14 YEL | RUN ONLY POWER RELAY | ENGINE WIRING | CF 14 YEL | REAR TV JACK | POWER FEED SWITCH |
| BJ 16 YEL | OVERCURRENT PROTECTION (10A FUSE TYPICAL) | ENGINE WIRING (IGNITION RUN/START FED) | CG 14 YEL | CLUTCH/NEUTRAL SWITCH | START ISOLATION RELAY |
| BK 14 YEL | OVERCURRENT PROTECTION (10A FUSE TYPICAL) | HORN RELAY FEED | CH 14 YEL | START RELAY | ENGINE WIRING |
| BL 16 WHT | CIGAR LIGHTER | GROUND | CJ 14 YEL | WINDSHIELD WIPER/WASHER CONTROL SWITCH | WINDSHIELD WASHER PUMP |
| BM 16 YEL | CHASSIS BATTERY POWER | CIGAR LIGHTER | CK 16 YEL | TELEVISION | SPEAKER (POSITIVE) |
| BN 16 YEL | ACCESSORY POWER | SPOTLAMP | CL 16 WHT | TELEVISION | SPEAKER (NEGATIVE) |
| BP 14 WHT | POWER MIRROR | GROUND | CM 10 YEL | OVERCURRENT PROTECTION (15A BREAKER TYPICAL) | INVERTER FEED |

WIRE IDENTIFICATION CHART

| CODE/COLOR | FROM: | TO: | CODE/COLOR | FROM: | TO: |
|------------------|--|---------------------------------------|--------------|--|--|
| CN 10 WHT | INVERTER | GROUND | DL 16 YEL | TV/RADIO SPEAKER SWITCHING RELAY OUTPUT | RIGHT REAR SPEAKER POSITIVE |
| CP 12 WHT | INVERTER CHASSIS | GROUND | DM 16 WHT | TV/RADIO SPEAKER SWITCHING RELAY OUTPUT | RIGHT REAR SPEAKER NEGATIVE |
| CR 16 WHT | VEHICLE CHECK ENGINE LAMP CIRCUIT | CHECK ENGINE LAMP | DN 10 YEL | BATTERY DISCONNECT RELAY | CIRCUIT BREAKER SLIDEOUT ROOM CIRCUIT BRKR |
| CS 16 WHT | REMOTE THERMOSTAT (RC TERM/ORG EXPORT AIR) | GROUND | DP 14 YEL | TV/RADIO SPEAKER FEED SELECT SWITCH | TV/RADIO SPEAKER SWITCHING RELAY COIL INPUT OR AMPLIFIER |
| CT 16 YEL | DAYTIME RUNNING LAMP MODULE OUTPUT(PIN 30) | LOW BEAM HEADLAMP CIRCUIT | DR 16 YEL | HWH WIRING OR KWIKEE FRONT SLIDE MODULE | SLIDEOUT SWITCH (ROOM ONE EXTEND) |
| CU 16 YEL | DAYTIME RUNNING LAMP MODULE ENABLE(PIN 85) | RUN/START CIRCUIT | DS 16 WHT | CONTROL MODULE (FRONT SLIDE)(GROUND) | SLIDEOUT SWITCH (FRONT SLIDEOUT) |
| CW 14 YEL | DAYTIME RUNNING LAMP MODULE POWER(PIN 87A) | CHASSIS BATTERY POWER | DT 16 YEL | SLIDEOUT ROOM RELAY (PIN 30) | SLIDEOUT ROOM CONTROL SWITCH |
| CX 16 WHT | DAYTIME RUNNING LAMP MODULE GROUND(PIN 87) | GROUND | DU 16 YEL | HWH WIRING OR KWIKEE FRONT SLIDE MODULE | SLIDEOUT SWITCH (ROOM ONE RETRACT) |
| CY 16 YEL | DAYTIME RUNNING LAMP MODULE HIGH BEAM DISABLE(PIN 86) | HIGH BEAM HEADLAMP CIRCUIT | DW 16 WHT | SLIDEOUT ROOM SWITCH (G) (SWITCHED GROUND TO PUMP) | HWH WIRING (SWITCHED GROUND TO PUMP) |
| DA 12 YEL | SHOWER SUMP SYSTEM PUMP SWITCH | SHOWER SUMP SYSTEM PUMP | DX 16 WHT | HWH WIRING (G) (GROUND) | SLIDEOUT ROOM SWITCH (GROUND) |
| DB 12 WHT | SHOWER SUMP SYSTEM PUMP | GROUND | DY 16 WHT | HWH WIRING (G) (JACK SENSE; SWITCHED GROUND) | SLIDEOUT ROOM RELAY (JACK SENSE; SWITCHED GROUND) |
| DC 16 YEL | REAR ROOF AIR CONDITIONER EXHAUST CIRCUIT | THERMOSTAT | EA 16 YEL | HWH WIRING (G) (ACCESSORY POWER) | SLIDEOUT ROOM RELAY (ACCESSORY POWER) |
| DD 16 YEL | REAR ROOF AIR CONDITIONER COOL CIRCUIT | THERMOSTAT (Y TERM-EXPORT AIR/YEL) | EB 16 YEL | SLIDEOUT ROOM RELAY (G) (SWITCHED ACCESSORY POWER) | FRT/RR SLIDEOUT ROOM SWITCH (SWITCHED EXTEND/RETRACT PWR) |
| DE 16 YEL | REAR ROOF AIR CONDITIONER HIGH SPEED FAN CIRCUIT | THERMOSTAT (H TERM-EXPORT AIR/BLU) | EC 10 YEL | CHASSIS BATTERY POWER SOURCE (BATTERY MODE SOLENOID POST) | THRU FUSE TO AMP SOURCE SELECT RELAY(PIN 87)(OPTION 21V,95 Q) |
| DF 16 YEL | REAR ROOF AIR CONDITIONER LOW SPEED FAN CIRCUIT | THERMOSTAT (G TERM-EXPORT AIR/RED) | ED 10 YEL | COACH BATTERY POWER SOURCE (BATTERY MODE SOLENOID POST) | THRU FUSE TO AMP SOURCE SELECT RELAY(PIN 87A)(OPTION 21V,95Q) |
| DG 12YEL(GRY) | IGNITION SWITCH | ACCESSORY/RUN FEED | EE 16 YEL | AIR RIDE SUSPENSION LEFT DOWN SWITCH POSITION | AIR RIDE SUSPENSION LEFT HEIGHT CONTROL BOX |
| DH 14 YEL | EMERGENCY SHUTDOWN GAUGE | FUEL SOLENOID (DIESEL ENGINE) | EF 16 YEL | AIR RIDE SUSPENSION LEFT UP SWITCH POSITION | AIR RIDE SUSPENSION LEFT HEIGHT CONTROL BOX |
| DJ 16 YEL | TV/RADIO SPEAKER SWITCHING RELAY OUTPUT | LEFT REAR SPEAKER POSITIVE | EG 16 WHT | AIR RIDE SUSPENSION WIRE ASM GROUND | AIR RIDE SUSPENSION CONTROL LAMP GROUNDS |
| DK 16 WHT | TV/RADIO SPEAKER SWITCHING RELAY OUTPUT | LEFT REAR SPEAKER NEGATIVE | EH 16 YEL | AIR RIDE SUSPENSION RIGHT DOWN SWITCH POSITION | AIR RIDE SUSPENSION RIGHT HEIGHT CONTROL BOX |

WIRE IDENTIFICATION CHART

| CODE/COLOR | FROM: | TO: | CODE/COLOR | FROM: | TO: |
|------------------|--|--|--------------|--|--|
| EJ 16 YEL | AIR RIDE SUSPENSION RIGHT UP SWITCH POSITION | AIR RIDE SUSPENSION RIGHT HEIGHT CONTROL BOX | FJ 12 YEL | WATER PUMP SWITCH #2 (THREE SWITCH SYSTEM) | WATER PUMP SWITCH #1 (THREE SWITCH SYSTEM) |
| EK 16 YEL | AIR RIDE SUSPENSION AUTO MODE SWITCH POSITION | AIR RIDE SUSPENSION HEIGHT CONTROL BOXES | FK 12 YEL | WATER PUMP SWITCH #2 (THREE SWITCH SYSTEM) | WATER PUMP SWITCH #1 (THREE SWITCH SYSTEM) |
| EL 16 YEL | RUN ONLY POWER | AIR RIDE SUSPENSION AUTO/MANUAL MODE SWITCH | FL 14 YEL | SECOND PORCH LAMP SWITCH | SECOND PORCH LAMP |
| EM 16 YEL | AIR RIDE SUSPENSION COMPRESSOR | COMPRESSOR ON WARNING LAMP | FM 14 WHT | SOLENOID MOUNTING BOLT | GROUND |
| EN 16 YEL | AIR RIDE SUSPENSION MANUAL MODE SWITCH POSITION | LEVEL CONTROL SWITCHES AND INDICATOR LAMP | FN 16 YEL | SOURCE SELECTOR SWITCH (DELUXE SOUND SYSTEM,95 LUXOR) | AMP & EQUALIZER REMOTE TRIGGER (DELUXE SOUND SYSTEM,95 LUXOR) |
| EP 14 YEL | OVERCURRENT PROTECTION (15A BREAKER TYPICAL) | SPOTLAMP | FP 16 YEL | EXHAUST BRAKE SWITCH (DIESEL PUSHER CHASSIS) | CHASSIS EXHAUST BRAKE HARNESS & BRAKE ON DASH INDICATOR LAMP |
| ER 16 YEL | OVERCURRENT PROTECTION (6A BREAKER TYPICAL) | ELECTRIC STEP KILL SWITCH | FR 14 YEL | FORD RUN/ACCESSORY IGNITON CIRCUIT(WHT/PUR,10A FUSED) | DOCKING LAMPS, RELAY TRIGGER, REAR MONITOR CAMERA FEED |
| ES 16 YEL | ELECTRIC STEP KILL SWITCH | ELECTRIC STEP | FS 14 YEL | DOCKING LAMPS RELAY(PIN 87) | DOCKING LAMPS |
| ET 16 YEL | OVERCURRENT PROTECTION (6A BREAKER TYPICAL) | REFRIGERATOR (2 WAY) | FT 14 WHT | DOCKING LAMPS | GROUND |
| EU 16 WHT | REFRIGERATOR (2 WAY) | GROUND | FU 14 YEL | AUTOMOTIVE AIR WIRING | FORD A/C COMPRESSOR CLUTCH SWITCH CIRCUIT |
| EW 14 YEL | FUEL HEATER SWITCH | FUEL HEATER (DIESEL ENGINE) | FW 14 YEL | DOCKING LAMPS SWITCH | DOCKING LAMPS RELAY(PIN 30) |
| EX 14 YEL | TELEVISION POWER SWITCH | TELEVISION WALL PLATE | FX 12 YEL | OVERCURRENT PROTECTION (30A BRKR OR FUSE) | POWER DRIVER SEAT (I.E.,6 WAY) |
| EY 12YELLTBLU | OVERCURRENT PROTECTION (16GA FUSELINK TYPICAL) | IGNITION SWITCH FEED #2 | FY 12 WHT | POWER DRIVER SEAT (I.E.,6 WAY) | GROUND |
| FA 14 YEL | DRIVER'S DOOR PASSENGER SIDE POWER WINDOW SWITCH(DOWN,PIN2) | PASSENGER'S POWER WINDOW SWITCH(PIN 2) | GA 14 YEL | WATER SYSTEM WINTERIZATION SWITCH | WINTERIZATION VALVE |
| FB 14 YEL | DRIVER'S DOOR PASSENGER SIDE POWER WINDOW SWITCH(UP,PIN 4) | PASSENGER'S POWER WINDOW SWITCH(PIN 4) | GB 14 YEL | WATER HEATER BYPASS SWITCH | WATER HEATER BYPASS VALVE |
| FC 14 YEL | PASSENGER'S DOOR POWER WINDOW SWITCH(DOWN,PIN 1) | PASSENGER'S DOOR POWER WINDOW MOTOR(DOWN) | GC 16 YEL | SLIDEOUT ROOM SPDT SWITCH (M) (SWITCHED WIRE) | HWH WIRING (SWITCHED WIRE) |
| FD 14 YEL | PASSENGER'S DOOR POWER WINDOW SWITCH(UP,PIN 5) | PASSENGER'S DOOR POWER WINDOW MOTOR(UP) | GD 16 YEL | WIPER CONTROL MODULE | WIPER MOTOR (S TERMINAL) |
| FG 10 YEL | AMPLIFIER POWER SOURCE SELECT RELAY (PIN 30) | AMPLIFIER POWER FEED (DELUXE SOUND SYSTEM,95 LUXOR) | GE 16 YEL | SWITCHED DOME LAMP FEED | DOME LAMP |
| FH 10 WHT | AMPLIFIER (DELUXE SOUND SYSTEM,95 LUXOR) | GROUND | GF 16 WHT | COMMON REAR CHANNEL SPEAKER RETURN | REAR SPEAKERS |

WIRE IDENTIFICATION CHART

| CODE/COLOR | FROM: | TO: | CODE/COLOR | FROM: | TO: |
|-----------------|---|---|--------------|--|--|
| GG 16 YEL | RADIO REMOTE TRIGGER (DELUXE SOUND OPTION) | SOURCE SELECTOR SWITCH (LUXOR) | HE 14 WHT | SOFA SLIDE MOTOR NEGATIVE (94 VANS) | SOFA MONOPLEX CONTROLLER |
| GH 14 WHT | GLOW PLUG WAIT LAMP (DIESEL ENGINE) | ENGINE SENDER | HF 14 YEL | SOFA RECLINE MOTOR POSITIVE (94 VANS) | SOFA MONOPLEX CONTROLLER |
| GJ 16 YEL | COACH BATTERY POWER (UPSTREAM OF DISCONNECT) | LP DETECTOR AND/OR SOLAR PANEL WIRING OVERCURRENT PROTECTION | HG 14 WHT | SOFA RECLINE MOTOR NEGATIVE (94 VANS) | SOFA MONOPLEX CONTROLLER |
| GK 14 YEL | AIR HORN SWITCH | CHASSIS HORN | HH 16 YEL | SOFA MONOPLEX SWITCH (94 VANS) | SOFA MONOPLEX CONTROLLER |
| GL 16 WHT | WATER/HOLDING TANKS LEVEL SENSORS | GROUND | HJ 16 WHT | SOFA MONOPLEX SWITCH (94 VANS) | GROUND |
| GM 16 YEL | JET AIR RIDE SUSPENSION PRESSURE SENSORS | CHECK REAR AIR SUSPENSION DASH WARNING LAMP | HK 14 WHT | SOFA MONOPLEX CONTROLLER (94 VANS) | GROUND |
| GN 16 YEL | REAR TV SPEAKER OUTPUT (POSITIVE) | REAR TV SPEAKER (POSITIVE) | HL 14 YEL | FLOOD LAMP SWITCH (94 VANS) | FLOOD LAMP |
| GP 16 WHT | REAR TV SPEAKER OUTPUT (NEGATIVE) | REAR TV SPEAKER (NEGATIVE) | HM 16 YEL | REAR TV SPEAKER OUTPUT (POSITIVE) | REAR TV SPEAKER (POSITIVE) |
| GR 14 YEL | THERMOSTATICALLY CONTROLLED ROOF VENT (SEND) | THERMOSTAT (RETURN) | HN 16 WHT | REAR TV SPEAKER OUTPUT (NEGATIVE) | REAR TV SPEAKER (NEGATIVE) |
| GS 14 YEL | THERMOSTATICALLY CONTROLLED ROOF VENT (RETURN) | THERMOSTAT (RETURN) | HP 16 YEL | OVERCURRENT PROTECTION (94 VANS) | REAR AC |
| GT 16 YEL | RADIO POWER SWITCH (MEMORY FEED) | RADIO (MEMORY FEED) | HR 14 YEL | SWITCH (94 1200 MODEL VAN) | 12VOLT RECEPTACLE |
| GU 16 YEL | DEFOG MODULE OUTPUT | DEFOG RELAY, INDICATOR LAMP | HS 16 YEL | SOLAR PANEL (1HS INDICATOR TO BATTERY) | COACH BATTERY THRU OVERCURRENT PROTECTION |
| GW 16 WHT | DEFOG SWITCH ON/OFF | DEFOG MODULE ON/OFF | HT 16 WHT | SOLAR PANEL (1HT INDICATOR TO GROUND) | GROUND |
| GX 16/12 WHT | STEP COVER SWITCH (REF AAA-16/KA-12) | GROUND | HU 16 YEL | GENERATOR SWITCH (LED) | GENERATOR (POSITIVE SIGNAL) |
| GY 12 YEL | DEFOG RELAY | DEFOG UNIT | HW 16 YEL | LICENSE PLATE LAMP FEED | LICENSE PLATE LAMP |
| HA 14 YEL | READING LAMPS SWITCH (93 VANS) | READING LAMPS | HX 16 YEL | CHASSIS CLEARANCE LAMP CRT #2 | CLEARANCE/MARKER LAMPS |
| HB 14 YEL | "MOOD" LAMPS SWITCH (93 VANS) | "MOOD" LAMPS | HY 12 WHT | DEFOG UNIT | GROUND |
| HC 14 YEL | 12V POWER SOURCE (93 VANS) | OVERCURRENT PROTECTION (15A FUSE TYPICAL) | JA 14 YEL | OVERCURRENT PROTECTION (15A FUSE/BREAKER TYPICAL) | WATER PUMP, MONITOR PANEL, ETC ("CLEAN CIRCUIT" ,REF JP) |
| HD 14 YEL | SOFA SLIDE MOTOR POSITIVE (94 VANS) | SOFA MONOPLEX CONTROLLER | JB 14 YEL | OVERCURRENT PROTECTION (15A FUSE/BREAKER TYPICAL) | FURNACE, ROOF VENT, ETC (REF JM) |

WIRE IDENTIFICATION CHART

| CODE/COLOR | FROM: | TO: | CODE/COLOR | FROM: | TO: |
|--------------|--|---|--------------|--|--|
| JC 14 YEL | OVERCURRENT PROTECTION (15A FUSE/BREAKER TYPICAL) | COACH LIGHTING, ETC CIRCUIT #1 (REF NC) | KA 12 YEL | OVERCURRENT PROTECTION (25A BREAKER TYPICAL) | ELECTRIC STEP BATTERY POWER |
| JD 14 YEL | OVERCURRENT PROTECTION (15A FUSE/BREAKER TYPICAL) | COACH LIGHTING, ETC CIRCUIT #2 (REF ND) | KB 10 YEL | OVERCURRENT PROTECTION (25A BREAKER TYPICAL) | ELECTRIC STEP KILL SWITCH (OLD STEP WIRING STYLE) |
| JE 14 YEL | OVERCURRENT PROTECTION (15A FUSE/BREAKER TYPICAL) | COACH LIGHTING, ETC CIRCUIT #3 (REF NE) | KC 10 YEL | ELECTRIC STEP KILL SWITCH (OLD STEP WIRING STYLE) | ELECTRIC STEP |
| JF 14 YEL | OVERCURRENT PROTECTION (15A FUSE/BREAKER TYPICAL) | COACH LIGHTING, ETC CIRCUIT #4 (REF NF) | KD 18 WHT | ELECTRIC STEP DOOR JAMB SWITCH | ELECTRIC STEP |
| JG 14 YEL | OVERCURRENT PROTECTION (15A FUSE/BREAKER TYPICAL) | COACH LIGHTING, ETC(ALT CLEAN) CIRCUIT #5 (REF JN) | KE 14 YEL | RUN ONLY POWER SOURCE | GENERAL PURPOSE(RELAY TRIGGER, REAR AUTO HTR,DRL,MONITOR,ETC) |
| JH 14 YEL | MAIN FURNACE (12V POWER) | MAIN FURNACE THERMOSTAT | KF 16 WHT | COACH BATTERY DISCONNECT RELAY SWITCH | GROUND |
| JJ 14 YEL | MAIN FURNACE (HEAT) | MAIN FURNACE THERMOSTAT | KG 14 YEL | POWER LIFT VENT (BLU) | POWER LIFT SWITCH(UP) |
| JK 14 YEL | AUXILIARY FURNACE | AUXILIARY FURNACE THERMOSTAT | KH 14 YEL | POWER LIFT VENT (RED) | POWER LIFT SWITCH(DOWN) |
| JL 14 YEL | AUXILIARY FURNACE | AUXILIARY FURNACE THERMOSTAT | KJ 14 YEL | POWER LIFT VENT (BLK) | FAN SWITCH |
| JM 14 WHT | MAIN FURNACE | GROUND | KK 18 YEL | REAR STEREO | RIGHT SPEAKER (POSITIVE) |
| JN 14 WHT | COACH LIGHTING CIRCUIT #5 (REF JG) | GROUND(ALTERNATE CLEAN CIRCUIT FOR LINEAR CONVERTER) | KL 18 WHT | REAR STEREO | RIGHT SPEAKER (NEGATIVE) |
| JP 14 WHT | "CLEAN CIRCUIT" DEVICES (REF JA) | GROUND | KM 14 YEL | POWER LIFT VENT LAMP | LAMP SWITCH |
| JR 16 YEL | MONITOR PANEL | LP TANK #2 LEVEL SENSOR | KN 18 YEL | REAR STEREO | LEFT SPEAKER (POSITIVE) |
| JS 12 YEL | MONITOR PANEL WATER PUMP SWITCH | WATER PUMP | KP 18 WHT | REAR STEREO | LEFT SPEAKER (NEGATIVE) |
| JT 16 YEL | MONITOR PANEL | LP TANK #1 LEVEL SENSOR | KR 14 WHT | REAR STEREO ANTENNA | GROUND |
| JU 14 YEL | MONITOR PANEL WATER HEATER SWITCH | WATER HEATER (BLU) | KS 14 YEL | REAR AUTO HEATER SWITCH (HIGH SPEED) | REAR AUTO HEATER |
| JW 14 YEL | MONITOR PANEL WATER HEATER SWITCH | WATER HEATER (BRN) | KT 14 YEL | REAR AUTO HEATER SWITCH (MEDIUM SPEED) | REAR AUTO HEATER |
| JX 14 WHT | WATER HEATER | GROUND | KU 14 YEL | REAR AUTO HEATER SWITCH (LOW SPEED) | REAR AUTO HEATER |
| JY 12 WHT | WATER PUMP | GROUND | KW 18 YEL | DASH RADIO | RIGHT FRONT SPEAKER (POSITIVE) |

WIRE IDENTIFICATION CHART

| CODE/COLOR | FROM: | TO: | CODE/COLOR | FROM: | TO: |
|--------------|---|--|-----------------|--|--|
| KX 18 YEL | DASH RADIO | RIGHT REAR SPEAKER (POSITIVE) | LU 14 YEL | CHASSIS BRAKE LAMP CIRCUIT | VEHICLE BRAKES, TAG AXLE CONTROL MODULE, ETC. |
| KY 18 YEL | DASH RADIO | LEFT FRONT SPEAKER (POSITIVE) | LW 14 YEL | WIPER CONTROL MODULE (PARK) | WINDSHIELD WIPER MOTOR (FRONT) |
| LA 18 YEL | DASH RADIO | LEFT REAR SPEAKER (POSITIVE) | LX 14 YEL | WIPER CONTROL MODULE (LOW SPEED) | WINDSHIELD WIPER MOTOR (FRONT) |
| LB 18 WHT | DASH RADIO | RIGHT REAR SPEAKER (NEGATIVE) | LY 14 YEL | WIPER CONTROL MODULE (HIGH SPEED) | WINDSHIELD WIPER MOTOR (FRONT) |
| LC 18 WHT | DASH RADIO | LEFT REAR SPEAKER (NEGATIVE) | MA 14 YEL | WIPER CONTROL MODULE (WASHER BOTTLE PUMP) | WINDSHIELD WASHER BOTTLE PUMP (FRONT) |
| LD 14 YEL | IGNITION SWITCH ACCESSORY POWER SOURCE | GENERAL PURPOSE(AUX FANS, RELAY TRIGGER, ETC.) | MB 14 YEL | CHASSIS WINDSHIELD WIPER FEED CIRCUIT | OVERCURRENT PROTECTION (6A BREAKER TYPICAL) |
| LE 14 YEL | AUXILIARY DEFROST FANS SWITCH (HIGH SPEED) | AUXILIARY DEFROST FANS (BLK) | MC 16 WHT | INSTRUMENT PANEL LAMPS | GROUND |
| LF 14 YEL | AUXILIARY DEFROST FANS SWITCH (LOW SPEED) | AUXILIARY DEFROST FANS (RED) | MD 14 YEL | OVERCURRENT PROTECTION (15A BREAKER TYPICAL) | REMOTE MIRROR RELAY/POWER WINDOW FEED |
| LG 16 YEL | COACH BATTERY DISCONNECT RELAY (TERMINAL I) | COACH BATTERY DISCONNECT RELAY SWITCH | ME 14 YEL | OVERCURRENT PROTECTION (15A BREAKER TYPICAL) | AIR HORN RELAY FEED/ MARKER LAMPS RELAY FEED |
| LH 16 YEL | COACH BATTERY DISCONNECT RELAY (TERMINAL S) | COACH BATTERY DISCONNECT RELAY SWITCH | MF 14 YEL | OVERCURRENT PROTECTION (15A BREAKER TYPICAL) | FOG LAMP RELAY FEED/ SPOT LAMP FEED |
| LJ 16 YEL | COACH BATTERY DISCONNECT RELAY BATTERY SIDE FUSE FEED | COACH BATTERY DISCONNECT RELAY SWITCH | MG 14 WHT | GENERAL PURPOSE(RELAYS, DASH DEVICES, ETC.) | GROUND |
| LK 16 YEL | COACH BATTERY DISCONNECT RELAY LOAD SIDE FUSE FEED | COACH BATTERY DISCONNECT RELAY SWITCH/INDICATOR LAMP | MH 16 WHT | CHASSIS CHOKE LAMP INDICATOR CIRCUIT | CHOKE LAMP |
| LL 16 WHT | GENERATOR SWITCH (START) | GENERATOR (RED) | MJ 14 YEL | CHASSIS WINDSHIELD WIPER FEED CIRCUIT | WIPER CONTROL MODULE (POWER FEED) |
| LM 16 WHT | GENERATOR SWITCH (STOP) | GENERATOR (ORN) | MK 14 YEL | CHASSIS BATTERY POWER FEED CIRCUIT | GENERAL PURPOSE(CIGAR LIGHTER, DOME/COURTESY LAMPS, ETC) |
| LN 16 WHT | GENERATOR SWITCH/INDICATOR (GROUND) | GENERATOR (GRN) | ML 16 YEL | CHASSIS INSTRUMENT PANEL LAMPS FEED CIRCUIT | INSTRUMENT PANEL LAMPS |
| LP 16 YEL | GENERATOR SWITCH/INDICATOR (RUN) | GENERATOR (BLU) | MM 14 YEL | CHASSIS CLEARANCE LAMP CRT #1 (BRN TYPICAL) | CLEARANCE/MARKER LAMPS |
| LR 14 YEL | BATTERY MODE SWITCH (AUX START SWITCH) | BATTERY MODE SOLENOID (AUX START SOLENOID) | MN 14 WHT | DOME LAMP SWITCHED GROUND | DOME LAMP SWITCH(DOOR JAMB, INSTRUMENT PANEL SWITCH, ETC) |
| LS 12 YEL | OVERCURRENT PROTECTION 20A BREAKER TYPICAL, COACH FEED | GENERAL PURPOSE(BATTERY MODE, RADIO POWER, BATTERY CONDITION) | MP 18/16 WHT | ELEC STEP DOOR JAMB SWITCH, LP TANK SENDER, ETC | GROUND |
| LT 16 YEL | BATTERY CONDITION SWITCH | VOLTMETER (POWER FEED) | MR 14 YEL | REAR WINDOW WIPER SWITCH (LOW SPEED) | REAR WINDOW WIPER MOTOR (LOW SPEED) |

WIRE IDENTIFICATION CHART

| CODE/COLOR | FROM: | TO: | CODE/COLOR | FROM: | TO: |
|--------------|--|--|--------------|--|-----------------------------|
| MS 14 WHT | CLEARANCE/MARKER LAMPS | GROUND | NR 16 YEL | LEFT POWER MIRROR (VERTICAL CONTROL, WHT) | POWER MIRROR CONTROL SWITCH |
| MT 8 WHT | ELECTRIC STEP | GROUND | NS 14 YEL | POWER MIRROR HEATER SWITCH | POWER MIRRORS (RED) |
| MU 14 WHT | GENERAL PURPOSE(CIGAR LIGHTER, DOME LAMPS,12 V OUTLETS,ETC) | GROUND | NT 14 YEL | POWER MIRROR RELAY | POWER MIRROR CONTROL SWITCH |
| MW 16 YEL | VEHICLE CHECK ENGINE LAMP CIRCUIT | CHECK ENGINE LAMP | NU 14 YEL | AISLE LAMPS SWITCH #1 | AISLE LAMPS SWITCH #2 |
| MX 16 YEL | WINDSHIELD WIPER SWITCH | WIPER RELAY | NW 14 YEL | FRONT COMPARTMENT LAMPS SWITCH | COMPARTMENT LAMPS |
| MY 14 YEL | VEHICLE HEADLAMP FEED CIRCUIT | DIMMER MODULE | NX 14 YEL | INTERSTATE COMMERCE COMMITTEE COURTESY BLINK SWITCH | CLEARANCE LAMPS |
| NA 14 YEL | VEHICLE HEADLAMP LOW BEAM CIRCUIT | DIMMER MODULE | NY 14 YEL | AISLE LAMPS SWITCH #1 | AISLE LAMPS SWITCH #2 |
| NB 14 YEL | VEHICLE HEADLAMP HIGH BEAM CIRCUIT | DIMMER MODULE | PA 14 WHT | REAR AUTO HEATER | GROUND |
| NC 14 WHT | COACH LIGHTING CIRCUIT #1 (REF JC) | GROUND | PB 14 WHT | REAR WINDOW WIPER MOTOR | GROUND |
| ND 14 WHT | COACH LIGHTING CIRCUIT #2 (REF JD) | GROUND | PC 14 YEL | BEDROOM CEILING LAMP SWITCH | BEDROOM CEILING LAMP |
| NE 14 WHT | COACH LIGHTING CIRCUIT #3 (REF JE) | GROUND | PD 14 YEL | MAKE UP LAMP #1 SWITCH | MAKE UP LAMP #1 |
| NF 14 WHT | COACH LIGHTING CIRCUIT #4 (REF JF) | GROUND | PE 14 YEL | BATH CEILING LAMP SWITCH | BATH CEILING LAMP |
| NG 16 YEL | FOG LAMPS SWITCH | FOG LAMPS RELAY | PF 14 YEL | SHOWER LAMP SWITCH WIRE D WAS FIRST USED ON C'S | SHOWER LAMP |
| NH 14 YEL | FOG LAMPS RELAY | FOG LAMPS | PG 14 YEL | WARDROBE LAMP SWITCH | WARDROBE LAMP |
| NJ 16 YEL | CHASSIS HORN FEED CIRCUIT | AIR HORN SWITCH | PH 14 YEL | AISLE LAMPS SWITCH | AISLE LAMPS |
| NK 14 YEL | AIR HORN SWITCH | AIR HORN AIR TANK AIR RELEASE VALVE | PJ 14 YEL | PORCH LAMP SWITCH | PORCH LAMP |
| NL 14 YEL | AR HORN RELAY | AIR HORN AIR COMPRESSOR | PK 14 YEL | STRIP LAMP SWITCH | STRIP LAMP |
| NM 14 YEL | OVERCURRENT PROTECTION (15A FUSE TYPICAL) | COACH LIGHTING CIRCUIT #6 (REF PM) | PL 14 YEL | FRONT CEILING LAMP SWITCH | FRONT CEILING LAMP |
| NN 16 YEL | LEFT POWER MIRROR MOTOR (HORIZONTAL CONTROL,YEL) | POWER MIRROR CONTROL SWITCH | PM 14 WHT | COACH LIGHTING CIRCUIT #6 (REF NM) | GROUND |

WIRE IDENTIFICATION CHART

| CODE/COLOR | FROM: | TO: | CODE/COLOR | FROM: | TO: |
|------------------|---|--|------------------|--|--|
| PN 16 WHT | RIGHT POWER MIRROR (COMMON, BLK) | POWER MIRROR CONTROL SWITCH | RL 12 WHT | RADIATOR FAN #2 | GROUND |
| PP 16 YEL | RIGHT POWER MIRROR (HORIZONTAL CONTROL, YEL) | POWER MIRROR CONTROL SWITCH | RM 14 WHT | VEHICLE IGNITION SWITCH GROUND DURING START CIRCUIT | BULB CHECK(LOW TAG AIR, PARK BRAKE, ETC) |
| PR 16 YEL | RIGHT POWER MIRROR (VERTICAL CONTROL, WHT) | POWER MIRROR CONTROL SWITCH | RN 14 YEL | AUTOMOTIVE AIR CONDITIONER THERMOSTAT CUTOFF SWITCH | AUTOMOTIVE AIR CONDITIONER COMPRESSOR CLUTCH |
| PS 14 YEL | MAP LAMP SWITCH | MAP LAMP | RP 14 YEL | AUTOMOTIVE AIR CONDITIONER COOLANT FAN CONTROL | COOLANT FAN RELAY |
| PT 14 YEL | BEVERAGE TRAY LAMP SWITCH | BEVERAGE TRAY LAMP | RR 14 YEL | BRAKE LAMP SWITCH | TURN SIGNAL SWITCH |
| PU 14 YEL | DUMP LAMP SWITCH | DUMP LAMP | RS 14 YEL | HEADLAMP SWITCH INSTRUMENT PANEL LAMP FEED SWITCH | OVERCURRENT PROTECTION (5A FUSE TYPICAL) |
| PW 14 YEL | OVERCURRENT PROTECTION (15A BREAKER TYPICAL) | POWER DOOR LOCK/UNLOCK RELAY (PIN 30) | RT 14 YEL | HORN RELAY (COMMON) | HORN |
| PX 16 YEL | POWER DOOR LOCK SWITCH (LOCK) (PIN 1) | POWER DOOR LOCK RELAY (PIN 86) | RU 14 YEL | HORN RELAY (COIL) | HORN SWITCH |
| PY 16 YEL | POWER DOOR LOCK SWITCH (UNLOCK) (PIN 5) | POWER DOOR UNLOCK RELAY (PIN 86) | RW 14 YEL | HAZARD FLASHER | TURN SIGNAL SWITCH |
| RA 14 YEL | VEHICLE LEFT FRONT TURN SIGNAL CIRCUIT | LEFT FRONT TURN SIGNAL/MARKER LAMP | RX 14 YEL | EUL WARNING LAMP | EUL MODULE |
| RB 14 YEL | VEHICLE RIGHT FRONT TURN SIGNAL CIRCUIT | RIGHT FRONT TURN SIGNAL/MARKER LAMP | RY 14 WHT | INSTRUMENT CLUSTER/ EUL MODULE | GROUND |
| RC 14 WHT | FRONT AUTOMOTIVE LAMPS(TURN, MARKER, ETC) | GROUND | SA 14 YEL | ENGINE WATER TEMPERATURE SENDER | ENGINE WATER TEMPERATURE GAUGE |
| RD 14 YEL | OVERCURRENT PROTECTION (15 A FUSE TYPICAL) | HAZARD FLASHER, HORN RELAY | SB 14 YEL | ENGINE OIL PRESSURE SENDER | ENGINE OIL PRESSURE GAUGE |
| RE 12 YEL | RADIATOR FAN RELAY#1 (COMMON) | RADIATOR FAN #1 | SC 14 YEL | VEHICLE RIGHT REAR TURN SIGNAL/BRAKE LAMP CIRCUIT | RIGHT REAR TURN SIGNAL/ BRAKE LAMPS |
| RF 12 YEL | RADIATOR FAN RELAY #2 (COMMON) | RADIATOR FAN #2 | SD 14 YEL | VEHICLE LEFT REAR TURN SIGNAL/BRAKE LAMP CIRCUIT | LEFT REAR TURN SIGNAL/ BRAKE LAMPS |
| RG 14 WHT | RADIATOR FAN THERMOSTAT SWITCH | RADIATOR FAN RELAYS (COILS, TRIGGER) | SE 16YEL(WHT) | SPEED SENSOR (TWISTED PAIR) | SPEEDOMETER AND SPEED CONTROL MODULE |
| RH 12YEL(BLK) | OVERCURRENT PROTECTION (25A BREAKER TYPICAL) | RADIATOR FAN RELAY #1 (NORMALLY OPEN) | SF 16WHT(BLK) | SPEED SENSOR (TWISTED PAIR) | SPEEDOMETER AND SPEED CONTROL MODULE |
| RJ 12YEL(BLK) | OVERCURRENT PROTECTION (25A BREAKER TYPICAL) | RADIATOR FAN RELAY #2 (NORMALLY OPEN) | SG 14 YEL | IGNITION SWITCH START FEED | GENERAL(NEUTRAL SAFETY SWITCH, FUEL PUMP RELAY COIL, ETC) |
| RK 12 WHT | RADIATOR FAN #1 | GROUND | SH 14 YEL | IGNITION SWITCH RUN/START FEED | GENERAL(IGNITION COIL RELAY NORMALLY OPEN CONTACT, ETC) |

WIRE IDENTIFICATION CHART

| CODE/COLOR | FROM: | TO: | CODE/COLOR | FROM: | TO: |
|------------------|---|--|--------------|--|---|
| SJ 12YEL(BLK) | OVERCURRENT PROTECTION (16GA FUSELINK TYPICAL) | CHASSIS BATTERY FEED | TG 16 YEL | TELEVISION | SPEAKER RIGHT (POSITIVE) |
| SK 12YEL(WHT) | OVERCURRENT PROTECTION (16GA FUSELINK TYPICAL) | CHASSIS BATTERY HEADLAMP SWITCH FEED #1 | TH 16 WHT | TELEVISION | SPEAKER RIGHT (NEGATIVE) |
| SL 12YEL(BLU) | OVERCURRENT PROTECTION (16GA FUSELINK TYPICAL) | CHASSIS BATTERY IGNITION SWITCH FEED #1 | TJ 16 YEL | TELEVISION | SPEAKER LEFT (POSITIVE) |
| SM 12YEL(BLK) | OVERCURRENT PROTECTION (16GA FUSELINK TYPICAL) | RADIATOR FAN #1 CIRCUIT BREAKER FEED | TK 16 WHT | TELEVISION | SPEAKER LEFT (NEGATIVE) |
| SN 12YEL(BLK) | OVERCURRENT PROTECTION (16GA FUSELINK TYPICAL) | RADIATOR FAN #2 CIRCUIT BREAKER FEED | TL 16 YEL | FRONT RIGHT TV SPEAKER NEGATIVE,SERIES CONNECTION | FRONT LEFT TV SPEAKER POSITIVE,SERIES CONNECTION |
| SP 14 YEL | HEADLAMP SWITCH MARKER CIRCUIT FEED | OVERCURRENT PROTECTION (15A FUSE TYPICAL) | TM 16 WHT | STEP COVER SWITCH | STEP COVER SOLENOID MOVES STEP OUT |
| SR 12YEL(BRN) | IGNITION SWITCH RUN ONLY FEED | OVERCURRENT PROTECTION (15A FUSE TYPICAL) | TN 14 YEL | STARTER SOLENOID BATTERY TERMINAL | ALTERNATOR REGULATOR |
| SS 12YEL(WHT) | IGNITION SWITCH ACCESSORY FEED | OVERCURRENT PROTECTION (15A FUSE TYPICAL) | TP 14 WHT | REAR AUTOMOTIVE LAMPS(TURN, MARKER,ETC) | GROUND |
| ST 14 YEL | OVERCURRENT PROTECTION (15A FUSE TYPICAL) | TURNS/BACK UP CIRCUIT FEED | TR 14 YEL | VEHICLE BACK UP CIRCUIT FEED | BACK UP LAMPS |
| SU | STARTER SOLENOID BATTERY TERMINAL | ALTERNATOR BATTERY TERMINAL | TS 14 YEL | STARTER SOLENOID (I TERMINAL) | ENGINE WIRING (IGNITION MODULE) |
| SW 14 YEL | TURN SIGNAL FLASHER | TURN SIGNAL SWITCH | TT 14 YEL | NEUTRAL SAFETY SWITCH | STARTER SOLENOID (S TERMINAL) |
| SX 14 YEL | REAR WINDOW WASHER SWITCH | REAR WINDOW WASHER BOTTLE PUMP | TU 14 WHT | IGNITION COIL RELAY (COIL) | GROUND |
| SY 14 YEL | IGNITION COIL | TACHOMETER | TW 14 YEL | IGNITION SWITCH START/RUN FEED | IGNITION COIL |
| TA 14 YEL | OVERCURRENT PROTECTION (15A FUSE TYPICAL) | IGNITION RUN ONLY GENERAL FEED (RADIATOR FAN RELAY COIL,ETC) | TX 14 YEL | IGNITION COIL RELAY (COMMON) | IGNITION COIL |
| TB 12 YEL | OVERCURRENT PROTECTION (25A FUSE TYPICAL) | IGNITION RUN ONLY GENERAL FEED (AUTO AC BLOWER(NOT HIGH),ETC) | TY 14 YEL | ALTERNATOR (T TERMINAL) | CHOKE HEATER |
| TC 14 YEL | OVERCURRENT PROTECTION (15A FUSE TYPICAL) | IGNITION RUN ONLY GENERAL FEED (DOOR LOCKS,REAR WIPER,ETC.) | UA 14 YEL | FUEL PUMP FUSE | OIL PRESSURE CUTOOUT SWITCH/ FUEL PUMP RELAY(NO),ETC |
| TD 14 YEL | OVERCURRENT PROTECTION (15A FUSE TYPICAL) | CHASSIS BATTERY GENERAL FEED | UB 14 YEL | INERTIA SWITCH (FUEL PUMP SHUTOFF) | FUEL PUMP RELAY (NORMALLY CLOSED) |
| TE 16 WHT | GENERATOR | GENERATOR LOW OIL INDICATOR LAMP | UC 14 YEL | FUEL PUMP RELAY (COMMON) | FUEL PUMP |
| TF 16 YEL | GENERATOR | GENERATOR LOW OIL INDICATOR LAMP | UD 16 WHT | FUEL GAUGE | FUEL SENDER |

WIRE IDENTIFICATION CHART

| CODE/COLOR | FROM: | TO: | CODE/COLOR | FROM: | TO: |
|--------------|---|---|------------------|---|--|
| UE 14 YEL | INERTIA SWITCH (FUEL PUMP SHUTOFF) | OIL PRESSURE CUTOFF SWITCH | WC 14 YEL | DDVRCURRENT PROTECTION (15A BREAKER TYPICAL) | COMPARTMENT LAMPS (REF WE) |
| UF 14 WHT | FUEL PUMP | GROUND | WD 14 WHT | AISLE LAMPS | GROUND |
| UG 14 WHT | FUEL PUMP RELAY (COIL) | GROUND | WE 14 WHT | COMPARTMENT LAMPS (REF WC) | GROUND |
| UH 16 YEL | LP DETECTOR (SHUTOFF SYSTEM, YEL) | LP SAFETY VALVE | WF 12YEL(WHT) | OVERCURRENT PROTECTION (30A BREAKER TYPICAL) | PARK BRAKE COMPRESSOR SOENOID |
| UJ 16 YEL | LP DETECTOR (SHUTOFF SYSTEM, YEL) | LP SAFETY SWITCH | WG 12YEL(BLK) | OVERCURRENT PROTECTION (30A BREAKER TYPICAL) | IGNITION RELAY |
| UK 16 WHT | LP DETECTOR (BLK)(REF WB) | GROUND | WH 14 YEL | OVERCURRENT PROTECTION (15A BREAKER TYPICAL) | IGNITION SWITCH RUN ONLY FEED |
| UL 16 WHT | EUL LAMP | EUL MODULE | WJ 12 YEL | OVERCURRENT PROTECTION (20A BREAKER TYPICAL) | IGNITION SWITCH ACCESSORY FEED RELAY |
| UM 16 WHT | DOOR JAMB DOME LAMP SWITCH | GROUND | WK 14 YEL | OVERCURRENT PROTECTION (15A BREAKER TYPICAL) | IGNITION SWITCH ACCESSORY FEED |
| UN 16 WHT | SEAT BELT LAMP | EUL MODULE | WL 14 YEL | POWER DOOR LOCK RELAY (PIN 30) | POWER DOOR LOCK MOTOR(S) (LOCK) |
| UP 16 YEL | SEAT BELT LAMP | SEAT BELT BUZZER | WM 14 WHT | POWER DOOR UNLOCK RELAY (PIN 30) | POWER DOOR LOCK MOTOR(S) (UNLOCK) |
| UR 16 WHT | PARK BRAKE SWITCH | PARK BRAKE LAMP | WN 16 YEL | RADIO POWER SWITCH (ACCESSORY POWER) | DASH RADIO (ACCESSORY POWER) |
| US 16 YEL | OVERCURRENT PROTECTION (6A BREAKER TYPICAL) | COACH BATTERY FEED TO BATTERY CONDITION SWITCH | WP 10 YEL | OVERCURRENT PROTECTION (25A BREAKER TYPICAL) | FRONT PANEL LOADS(INVERTER, RADIO)(96 M-SERIES) |
| UT 14 YEL | DOOR JAMB DOME LAMP SWITCH (SWITCH POSITIVE) | DOME LAMP | WR 14 YEL | OVERCURRENT PROTENTION (15A BREAKER TYPICAL) | POWER SEAT LIFT SWITCH |
| UU 16 YEL | WATER HEATER | VACUUM VALVE SOLENOID | WS 14 WHT | POWER SEAT LIFT SWITCH | GROUND |
| UW 16 WHT | VACUUM VALVE SOLENOID | GROUND | WT 14 YEL | POWER SEAT LIFT SWITCH (UP) | MOTOR (POSITIVE UP) |
| UX 16 YEL | LP DETECTOR #2 (SHUTOFF SYSTEM, YEL) | LP SAFETY VALVE | WU 14 WHT | POWER SEAT LIFT SWITCH (DOWN) | MOTOR (POSITIVE DOWN) |
| UY 16 YEL | LP DETECTOR #2 (SHUTOFF SYSTEM, YEL) | LP SAFETY VALVE | WW 14 WHT | SPOT LAMP SWITCH | GROUND |
| WA 14 YEL | EXTERIOR SERVICE LAMP SWITCH | EXTERIOR SERVICE LAMP | WX 14 YEL | HALLWAY CEILING LAMP SWITCH | HALLWAY CEILING LAMP |
| WB 16 YEL | OVERCURRENT PROTECTION (6A BREAKER TYPICAL) | LP DETECTOR (REF UK) | WY 10 WHT | AUTOMOTIVE AIR CONDITIONER MOTOR | GROUND |

WIRE IDENTIFICATION CHART

| CODE/COLOR | FROM: | TO: | CODE/COLOR | FROM: | TO: |
|-----------------|--|--|------------------|---|---|
| XA 12/10 YEL | VEHICLE AUTOMOTIVE AIR FEED CIRCUIT | AUTOMOTIVE AIR CONDITIONER BLOWER (USE 10 IF OVER 6') | XX 14 YEL | GALLEY LAMP SWITCH | GALLEY LAMP |
| XB 14 YEL | DRIVER'S DOOR POWER WINDOW SWITCH(PIN 5) | DRIVER'S DOOR POWER WINDOW MOTOR(POSITIVE UP) | XY 14 YEL | MAKE UP LAMP #2 SWITCH | MAKE UP LAMP #2 |
| XC 14 WHT | DRIVER'S DOOR POWER WINDOW SWITCH(PIN 1) | DRIVER'S DOOR POWER WINDOW MOTOR(POSITIVE DOWN) | YA 14 YEL | TAG AXLE PRESSURE CONTROL SWITCH | COMPRESSOR SOLENOID/ SOLENOID AIR VALVE |
| XD 16 WHT | MONITOR PANEL | HOLDING TANK LEVEL SENSOR (FULL) | YB 14 WHT | LOW AIR PRESSURE SWITCH | GROUND |
| XE 16 WHT | MONITOR PANEL | HOLDING TANK LEVEL SENSOR (3/4) | YC 10YEL(BLU) | OVERCURRENT PROTECTION (30A BREAKER TYPICAL) | TAG AXLE COMPRESSOR SOLENOID |
| XF 16 WHT | MONITOR PANEL | HOLDING TANK LEVEL SENSOR (1/2) | YD 14 WHT | TAG AXLE MOUNTING PLATE SCREW | GROUND |
| XG 16 WHT | MONITOR PANEL | HOLDING TANK LEVEL SENSOR (1/4) | YE 10 WHT | TAG AXLE COMPRESSOR | GROUND |
| XH 16 YEL | MONITOR PANEL | WATER TANK LEVEL SENSOR | YF 12 WHT | TAG AXLE BRAKE CONTROL MODULE/BRAKE MAGNET | GROUND |
| XJ 16 YEL | MONITOR PANEL | BLACK HOLDING LEVEL SENSOR (MAIN TANK) | YG 12YEL(BLK) | OVERCURRENT PROTECTION (20A BREAKER TYPICAL) | TAG AXLE BRAKE CONTROL MODULE |
| XK 16 YEL | MONITOR PANEL | GRAY AUXILIARY HOLDING TANK #1 LEVEL SENSOR (AUX TANK #1) | YH 12YEL(BLU) | TAG AXLE BRAKE CONTROL MODULE | TAG AXLE BRAKE MAGNET |
| XL 16 YEL | MONITOR PANEL | GRAY AUXILIARY HOLDING TANK #2 LEVEL SENSOR (AUX TANK #2) | YJ 10YEL(WHT) | TAG AXLE COMPRESSOR SOLENOID | TAG AXLE COMPRESSOR |
| XM 14 YEL | OVERCURRENT PROTECTION (18GA FUSELINK TYPICAL) | IGNITION START RELAY | YK 14 YEL | BEDROOM CEILING LAMP SWITCH#1 (2 SWITCH SYSTEM) | BEDROOM CEILING LAMP SWITCH #2 (2 SWITCH SYSTEM) |
| XN 16 YEL | FRONT ROOF AIR CONDITIONER (EXHAUST) | THERMOSTAT (EX TERMINAL) | YL 14 YEL | BEDROOM CEILING LAMP SWITCH #1 (2 SWITCH SYSTEM) | BEDROOM CEILING LAMP SWITCH #2 (2 SWITCH SYSTEM) |
| XP 16 YEL | FRONT ROOF AIR CONDITIONER (COOL) | THERMOSTAT (Y TERMINAL)(Y EXPORT AIR) | YM 14 YEL | HALLWAY CEILING LAMP SWITCH #1 (2 SWITCH SYSTEM) | HALLWAY CEILING LAMP SWITCH #2 (2 SWITCH SYSTEM) |
| XR 16 YEL | FRONT ROOF AIR CONDITIONER (HIGH SPEED BLOWER) | THERMOSTAT (GH TERMINAL)(H EXPORT AIR) | YN 14 YEL | HALLWAY CEILING LAMP SWITCH #1 (2 SWITCH SYSTEM) | HALLWAY CEILING LAMP SWITCH #2 (2 SWITCH SYSTEM) |
| XS 16 YEL | FRONT ROOF AIR CONDITIONER (LOW SPEED BLOWER) | THERMOSTAT (GL TERMINAL)(G EXPORT AIR) | YP 14 YEL | VALANCE LAMP SWITCH #1 (3 WAY SWITCH) | VALANCE LAMP SWITCH #2 (3 WAY SWITCH) |
| XT 14 YEL | IGNITION START RELAY #1 (NORMALLY CLOSED CONTACT) | IGNITION START RELAY #2 (COMMON CONTACT) | YR 14 YEL | VALANCE LAMP SWITCH #1 (3 WAY SWITCH) | VALANCE LAMP SWITCH #2 (3 WAY SWITCH) |
| XU 14 YEL | DINETTE OVHD LAMP SWITCH | DINETTE OVHD LAMP | YS 14 YEL | VALANCE LAMP SWITCH | VALANCE LAMP |
| XW 14 WHT | IGNITION SWITCH ACCESSORY FEED RELAY CIRCUIT | GROUND | YT 14 YEL | FRONT VALANCE LAMP SWITCH | FRONT VALANCE LAMP |

WIRE IDENTIFICATION CHART

| CODE/COLOR | FROM: | TO: | CODE/COLOR | FROM: | TO: |
|---------------|---|---|---------------|--|--|
| YU 14 YEL | REAR VALANCE LAMP SWITCH | REAR VALANCE LAMP | AAS 16 YEL | SPEAKER (NEGATIVE) SPEAKERS IN SERIES | SPEAKER (POSITIVE) |
| YW 14 WHT | DOOR BELL SWITCH | DOOR BELL | AAT 16 YEL | AMPLIFIER POSITIVE OUT (AAU NEGATIVE) | FRONT WOOFER (WITH DELUXE SOUND SYSTEM) |
| YX 14 YEL | IGNITION SWITCH RUN/START FEED | ALTERNATOR WARNING LAMP | AAU 16 WHT | AMPLIFIER NEGATIVE OUT (AAT POSITIVE) | FRONT WOOFER (WITH DELUXE SOUND SYSTEM) |
| YY 14 YEL | ALTERNATOR VOLTAGE REGULATOR | ALTERNATOR WARNING LAMP | AAW 16 YEL | AMPLIFIER POSITIVE OUT (AAX NEGATIVE) | REAR WOOFER (WITH DELUXE SOUND SYSTEM) |
| AAA 16 WHT | STEP COVER SWITCH (REF GX) | STEP COVER SOLENOID MOVES STEP IN | AAX 16 WHT | AMPLIFIER NEGATIVE OUT (AAW POSITIVE) | REAR WOOFER (WITH DELUXE SOUND SYSTEM) |
| AAB 14 YEL | DINETTE READING LAMPS | DINETTE READING LAMP SWITCH | AAZ 12 YEL | SLIDEOUT ROOM CONTROL SWITCH (RAM #1) | SLIDEOUT DRIVE MOTOR LEAD #1 |
| AAC 14 YEL | LOUNGE READING LAMPS | LOUNGE READING LAMP SWITCH | BBA 16 WHT | SLIDEOUT ROOM CONTROL SWITCH (RAM #1) | SLIDEOUT DRIVE MOTOR LEAD #2 |
| AAD 14 YEL | FORD CHASSIS TRAILER MARKER LAMP CIRCUIT (BR/WHT) | TRAILER CONNECTOR SOCKET MARKER LAMPS | BBB 16 YEL | SLIDEOUT WIRING (PARK BRAKE SW)(SWITCHED GRD) | SLIDEOUT ROOM RELAY (GROUND TERMINAL) |
| AAE 14 YEL | FORD CHASSIS TRAILER BACKUP LAMP CIRCUIT (BLK/LT GRN) | TRAILER CONNECTOR SOCKET BACKUP LAMPS | BBC 16 YEL | SLIDEOUT ROOM CIRCUIT BREAKER (6 AMP) | SLIDEOUT ROOM RELAY (PIN 86 & 87) |
| AAF 14 YEL | FORD CHASSIS TRAILER LEFT TURN/BRAKE LAMP CIRCUIT (YEL) | TRAILER CONNECTOR SOCKET LEFT TURN/BRAKE LAMP | BBD 16 YEL | LOAD SHEDDER MONITOR PANEL (RED WIRE) | LOAD SHEDDER CONTROL BOARD (RED WIRE) |
| AAG 14 YEL | FORD CHASSIS TRAILER RIGHT TURN/BRAKE LAMP CIRCUIT (DKG) | TRAILER CONNECTOR SOCKET RIGHT TURN/BRAKE LAMP | BBE 16 YEL | LOAD SHEDDER MONITOR PANEL (BLUE WIRE) | LOAD SHEDDER CONTROL BOARD (BLUE WIRE) |
| AAH 14 YEL | BATH-VENT, POWER | BATH-VENT, THERMOSTAT | BBF 16 YEL | LOAD SHEDDER MONITOR PANEL (BLACK WIRE) | LOAD SHEDDER CONTROL BOARD (BLACK WIRE) |
| AAJ 14 YEL | BATH-VENT, POWER | BATH-VENT, THERMOSTAT | BBG 14 YEL | LOAD SHEDDER MONITOR PANEL (GRAY WIRE) | LOAD SHEDDER CONTROL BOARD (GRAY WIRE) |
| AAK 16 WHT | SWITCH-WATER PUMP (MULTIPLEX SYSTEM) | LATCHING RELAY (WITH 4 OR MORE SWITCHES) | BBH 16 YEL | DINETTE CEILING LAMP SWITCH | DINETTE CEILING LAMP |
| AAL 16 WHT | SWITCH-WATER PUMP (MULTIPLEX SYSTEM) | GROUND | BBJ 16 YEL | REAR COMPRESSOR SIGNAL REAR THERMOSTAT | LOAD SHEDDER CONTROL BOARD |
| AAM 14 YEL | CHASSIS SUPPLIED WIRE ASM (DARK BLUE) (GM) | RIGHT TAIL LAMP PARK (WIE) | BBK 12 WHT | LOAD SHEDDER CONTROL BOARD | REAR A/C (COOL) |
| AAN 14 YEL | CHASSIS SUPPLIED WIRE ASM (PURPLE) (GM) | LEFT TAIL LAMP PARK (WIE) | BBL 14 YEL | JET AIR/TAG AXLE WIRING | GROUND, CHASSIS |
| AAP 10 YEL | 55 AMP BREAKER JUMPER WIRE | 30 AMP BREAKER | BBM 16 YEL | OVHD SWITCH | OVHD HALOGEN LAMPS |
| AAR 14 YEL | TV/RADIO SPEAKER FEED SELECTOR SWITCH | TV SPEAKER AMPLIFIER | | SLIDEOUT ROOM SWITCH (ROOM TWO EXTEND) | HWH WIRING (ROOM TWO EXTEND) |

WIRE IDENTIFICATION CHART

| CODE/COLOR | FROM: | TO: | CODE/COLOR | FROM: | TO: |
|---------------|--|--|---------------|---|--|
| BBN 16 YEL | SLIDEOUT ROOM SWITCH (ROOM TWO RETRACT) | HWH WIRING (ROOM TWO RETRACT) | CCK 14 YEL | COMPARTMENT LAMP SWITCH | COMPARTMENT LAMP |
| BBP 14 YEL | ICC COURTESY BLINK SWITCH | ICC COURTESY BLINK RELAY | CCL 14 YEL | COMPARTMENT LAMP SWITCH | COMPARTMENT LAMP |
| BBR 14 YEL | ICC COURTESY BLINK RELAY | CLEARANCE LAMPS | CCM 14 YEL | COMPARTMENT LAMP SWITCH | COMPARTMENT LAMP |
| BBS 14 YEL | CHASSIS FUSE PANEL | ICC COURTESY BLINK RELAY | CCN 16 YEL | THERMOSTATE LOW SPEED FAN SIGNAL | CENTRAL AIR AND LOAD SHEDDER |
| BBT 14 YEL | DOCKING LAMP SWITCH TRIGGER RELAY | DOCKING LAMP SWITCH | CCP 16 YEL | LOAD SHEDDER COMPRESSOR TWO CONTROL RELAY | CENTRAL A/C COMPRESSOR TWO |
| BBU 12 YEL | DOCKING LAMP CIRCUIT BREAKER | DOCKING LAMP RELAY | CCR 14 YEL | SWITCH-MONITOR PANEL (IN EXT. WATER CENTER) | EXTERIOR MONITOR PANEL (IN EXT. WATER CENTER) |
| BBW 14 YEL | VEHICLE LEFT HEADLAMP LOW BEAM CIRCUIT | LEFT LOW BEAM LAMP | CCS 16 YEL | NOISE FILTER | RADIO POWER INPUT |
| BBX 14 YEL | VEHICLE RIGHT HEADLAMP LOW BEAM CIRCUIT | RIGHT LOW BEAM LAMP | CCT 16 YEL | REAR RIGHT TV SPEAKER NEGATIVE,SERIES CONNECTION | REAR LEFT TV SPEAKER POSITIVE,SERIES CONNECTION |
| BBY 14 YEL | SWITCH-MONITOR PANEL (IN EXT. WATER CENTER) | EXTERIOR MONITOR PANEL (IN EXT. WATER CENTER) | CCU 16 YEL | GM DOME LAMP POWER | DOMELAMP |
| BBZ 14 YEL | OVERCURRENT PROTECTION (15A FUSE/BREAKER TYPICAL) | AUXILIARY FURNACE (CCA) | CCW 12 YEL | DUAL MODE SOLENOID (CHASSIS SIDE) | FUSE HOLDER (30 AMP) |
| CCA 14 WHT | AUXILIARY FURNACE | GROUND | CCX 16 YEL | ORG WIRE ON AIR COMPRESSOR | AIR PRESSURE SWITCH ON AIR TANK |
| CCB 16 YEL | EXTERIOR MONITOR PANEL | WATER TANK LEVEL SENSOR | CCY 16 YEL | HWH WIRING (BATTERY POWER) | SLIDEOUT ROOM SWITCH (POSITIVE) |
| CCC 16 YEL | EXTERIOR MONITOR PANEL | MAIN HOLDING TANK LEVEL SENSOR | CCZ 16 YEL | HWH WIRING (SWITCHED BATTERY POWER) | SLIDEOUT ROOM #1 SWITCH (POSITIVE) |
| CCD 16 YEL | EXTERIOR MONITOR PANEL | AUX HOLDING TANK LEVEL SENSOR | DDA 16 YEL | HWH WIRING (PUMP RELAY CONTROL) | SLIDEOUT ROOM SWITCH (POSITIVE) |
| CCE 14 YEL | COMPARTMENT LAMP SWITCH | COMPARTMENT LAMP | DDB 14 YEL | REAR AUTO HEATER CIRCUIT BREAKER | REAR AUTO HEATER RELAY (POWER) |
| CCF 14 YEL | COMPARTMENT LAMP SWITCH | COMPARTMENT LAMP | DDC 14 YEL | REAR AUTO HEATER RELAY (SWITCHED POWER) | REAR AUTO HEATER SWITCH (COMMON TERMINAL) |
| CCG 14 YEL | COMPARTMENT LAMP SWITCH | COMPARTMENT LAMP | DDD 14 YEL | MODULE-CHARGE CONTROL RELAY OUTPUT | AUX-START SOLENOID RELAY |
| CCH 14 YEL | COMPARTMENT LAMP SWITCH | COMPARTMENT LAMP | DDE 14 YEL | AUX-START SOLENOID RELAY | AUX-START SOLENOID |
| CCJ 14 YEL | COMPARTMENT LAMP SWITCH | COMPARTMENT LAMP | DDF 10 YEL | HEATER BLOWER CIRCUIT BREAKER | HEATER BLOWER RELAY |

WIRE IDENTIFICATION CHART

| CODE/COLOR | FROM: | TO: | CODE/COLOR | FROM: | TO: |
|---------------|--|---|------------------|---|--|
| DDG 10 YEL | CIRCUIT BREAKER BUSS BAR | CHASSIS BATTERY FEED CIRCUIT BREAKER | EEC 12 YEL | 25 AMP BREAKER IN 12 VOLT PANEL | SOFA RECLINER SWITCH SOFA 4-WAY RECLINER |
| DDH 14 YEL | FREIGHTLINER RUN ONLY TRIGGER CIRCUIT | HEATER BLOWER RELAY | EED 12 WHT | SOFA RECLINER SWITCH SOFA 4-WAY RECLINER | GROUND |
| DDJ 16 WHT | CHASSIS PARKING BRAKE TRIGGER CIRCUIT | LEVELING SYSTEM PARKING BRAKE SENSOR WIRE | EEE 14 YEL | OVERCURRENT PROTECTION (15A BREAKER TYPICAL) | 12V POWER JACK |
| DDK 16 YEL | HWH WIRING (PUMP RELAY CONTROL) | REAR SLIDEOUT ROOM SWITCH (POSITIVE) | EEF 14 WHT | 12V POWER JACK | GROUND |
| DDL 14 WHT | FRONT LEFT AUTOMOTIVE LAMPS | GROUND | EEG 12 WHT | POWER COMPT DOOR LOCK RELAYS (RIGHT SIDE) | GROUND |
| DDM 14 WHT | FRONT RIGHT AUTOMOTIVE LAMPS | GROUND | EEH 12 YEL | SOFA RECLINER SWITCH EXTEND | SOFA RECLINER MOTOR SOFA 4-WAY |
| DDN 16 YEL | TIMER MODULE | CHECK ANTENNA LIGHT | EEJ 12 YEL | SOFA RECLINER SWITCH RETRACT | SOFA RECLINER MOTOR SOFA 4-WAY |
| DDP 12 YEL | OVERCURRENT PROTECTION (20A BREAKER TYPICAL) | INVERTER FEED (INVERTER NUMBER 2) | EEK 18 YEL | AUDIO AMPLIFIER | LH FRT SPKR (+) |
| DDR 12 WHT | INVERTER (INVERTER NUMBER 2) | GROUND | EEL 18 WHT | AUDIO AMPLIFIER | LH FRT SPKR (-) |
| DDS 12 WHT | INVERTER CHASSIS (INVERTER NUMBER 2) | GROUND | EEM 18 YEL | AUDIO AMPLIFIER | RH FRT SPKR (+) |
| DDT 12 YEL | POWER COMPT DOOR LOCK RELAY (RIGHT SIDE) | POWER COMPT DOOR LOCK MOTOR(S) (RIGHT SIDE) | EEN 18 WHT | AUDIO AMPLIFIER | RH FRT SPKR (-) |
| DDU 12 WHT | POWER COMPT DOOR UNLOCK RELAY (RIGHT SIDE) | POWER COMPT LOCK MOTOR(S) (UNLOCK) (RIGHT SIDE) | EEP 18 YEL | AUDIO AMPLIFIER | LH RR SPKR (+) |
| DDV 12 YEL | POWER COMPT DOOR LOCK RELAY (LEFT SIDE) | POWER COMPT LOCK MOTOR(S) (LOCK) (LEFT SIDE) | EER 18 WHT | AUDIO AMPLIFIER | LH RR SPKR (-) |
| DDW 12 WHT | POWER COMPT DOOR UNLOCK RELAY (LEFT SIDE) | POWER COMPT LOCK MOTOR(S) (UNLOCK) (LEFT SIDE) | EES 18 YEL | AUDIO AMPLIFIER | RH RR SPKR (+) |
| DDX 12 YEL | OVERCURRENT PROTECTION (20A BREAKER TYPICAL) | POWER COMPT DOOR LOCK/ UNLOCK RELAY (RIGHT SIDE) | EET 18 WHT | AUDIO AMPLIFIER | RH RR SPKR (-) |
| DDY 12 YEL | OVERCURRENT PROTECTION (20A BREAKER TYPICAL) | POWER COMPT DOOR LOCK/ UNLOCK RELAY (LEFT SIDE) | EEU 18 YEL | AUDIO AMPLIFIER | CTR CHANNEL SPKR (+) |
| DDZ 12 YEL | POWER COMPT DOOR LOCK SWITCH (LOCK) (PIN 1) | POWER COMPT DOOR LOCK RELAY (PIN 86) | EEW 18 WHT | AUDIO AMPLIFIER | CTR CHANNEL SPKR (-) |
| EEA 12 WHT | POWER COMPT DOOR LOCK SWITCH (UNLOCK) (PIN 5) | POWER COMPT DOOR UNLOCK RELAY (PIN 86) | EEX 12/10 YEL | PASSENGER AUTO A/C FEED CIRCUIT | PASSENGER AUTO A/C BLOWER (USE 10 IF OVER 6') |
| EEB 12 WHT | POWER COMPT DOOR LOCK RELAYS (LEFT SIDE) | GROUND | EY 10 WHT | PASSENGER AUTO A/C MOTOR | GROUND |

WIRE IDENTIFICATION CHART

| CODE/COLOR | FROM: | TO: | CODE/COLOR | FROM: | TO: |
|------------------|---|---|---------------|--|--|
| EEZ 12/10 YEL | OVERCURRENT PROTECTION (30A BREAKER TYPICAL) | PASSENGER HI-SPEED HEATER FAN (USER 10 IF OVER 6') | FFV 16 YEL | AWNING SELECTOR SWITCH (PATIO AWNING) | AWNING CONTROL SWITCH (PATIO AWNING) |
| FFA 10 YEL | PASSENGER HEATER BLOWER CIRCUIT BREAKER | PASSENGER HEATER BLOWER RELAY | FFW 14 YEL | LOUNGE LAMPS SWITCH #1 | LOUNGE LAMPS SWITCH #2 |
| FFB 10 YEL | OVERCURRENT PORTECTION (30A BREAKER TYPICAL) | POWER LOUNGE CHAIR | FFX 14 YEL | LOUNGE LAMPS SWITCH #1 | LOUNGE LAMPS SWITCH #2 |
| FFC 10 WHT | POWER LOUNGE CHAIR | GROUND | FFY 14 YEL | CEILING FAN SWITCH | CEILING FAN |
| FFD 12 YEL | OVERCURRENT PROTECTION (30A BREAKER TYPICAL) | AWNING CONTROL BOX (12V POSITIVE) | FFZ 14 YEL | OVERCURRENT PROTECTION (15A FUSE/BREAKER TYPICAL) | COACH LIGHTING,ETC CIRCUIT #7 (REF GGA) |
| FFE 12 WHT | AWNING CONTROL BOX | GROUND | GGA 14 WHT | COACH LIGHTING (REF-FFZ) | GROUND |
| FFF 12 YEL | AWNING CONTROL BOX | DOOR AWNING (MOTOR POSITIVE) | GGB 14 YEL | POWER LIFT VENT | POWER LIFT SWITCH (UP) |
| FFG 12 WHT | DOOR AWNING (MOTOR GROUND) | AWNING CONTROL BOX | GGC 14 YEL | POWER LIFT VENT | POWER LIFT SWITCH (DOWN) |
| FFH 12 YEL | AWNING CONTROL BOX | PATIO AWNING (MOTOR POSITIVE) | GGD 16 YEL | CONTROL MODULE (LEFT FRONT SLIDE)(STOP) | SLIDEOUT SWITCH (LEFT FRONT SLIDE) |
| FFJ 12 WHT | PATIO AWNING (MOTOR GROUND) | AWNING CONTROL BOX | GGE 16 YEL | CONTROL MODULE (LEFT FRONT SLIDE)(GREEN LED) | SLIDEOUT SWITCH (LEFT FRONT SLIDE) |
| FFK 16 YEL | AWNING CONTROL BOX | DOOR AWNING SWITCH (EXTEND) | GGF 16 YEL | CONTROL MODULE (LEFT FRONT SLIDE)(RED LED) | SLIDEOUT SWITCH (LEFT FRONT SLIDE) |
| FFL 16 YEL | DOOR AWNING SWITCH (COMMON) | AWNING CONTROL BOX | GGG 16 YEL | CONTROL MODULE (LEFT FRONT SLIDE)(SIGNAL) | LEFT FRONT SLIDE,FRONT RAM (ENCODER) |
| FFM 16 YEL | AWNING CONTROL BOX | DOOR AWNING SWITCH (RETRACT) | GGH 16 YEL | CONTROL MODULE (LEFT FRONT SLIDE)(+) | LEFT FRONT SLIDE,FRONT RAM (ENCODER) |
| FFN 16 YEL | AWNING CONTROL BOX | PATIO AWNING SWITCH (EXTEND) | GGJ 16 WHT | CONTROL MODULE (LEFT FRONT SLIDE)(-) | LEFT FRONT SLIDE,FRONT RAM (ENCODER) |
| FFP 16 YEL | PATIO AWNING SWITCH (COMMON) | AWNING CONTROL BOX | GGK 16 YEL | CONTROL MODULE (LEFT FRONT SLIDE)(SIGNAL) | LEFT FRONT SLIDE,REAR RAM (ENCODER) |
| FFR 16 YEL | AWNING CONTROL BOX | PATIO AWNING SWITCH (RETRACT) | GGL 16 YEL | CONTROL MODULE (LEFT FRONT SLIDE)(+) | LEFT FRONT SLIDE,REAR RAM (ENCODER) |
| FFS 14 WHT | RELAY (PIN 30) | AWNING CONTROL BOX | GGM 16 WHT | CONTROL MODULE (LEFT FRONT SLIDE)(-) | LEFT FRONT SLIDE,REAR RAM (ENCODER) |
| FFT 14 WHT | PATIO AWNING SWITCH | AWNING CONTROL BOX | GGN 12 YEL | CONTROL MODULE (RAM #2) | SLIDEOUT ACTUATOR DRIVE LEAD #1 |
| FFU 16 YEL | AWNING SELECTOR SWITCH (DOOR AWNING) | AWNING CONTROL SWITCH (DOOR AWNING) | GGP 12 YEL | CONTROL MODULE (RAM #2) | SLIDEOUT ACTUATOR DRIVE LEAD #2 |

WIRE IDENTIFICATION CHART

| CODE/COLOR | FROM: | TO: | CODE/COLOR | FROM: | TO: |
|---------------|--|---|---------------|---|--|
| GGR 16 YEL | FRONT ROOF HEAT PUMP | THERMOSTAT (W TERMINAL) | HHL 14 YEL | DRIVER'S POWER SUNVISOR SWITCH | DRIVER'S POWER SUNVISOR |
| GGS 16 YEL | REAR ROOF HEAT PUMP | THERMOSTAT (W TERMINAL) | HHM 14 YEL | PASS POWER SUNVISOR SWITCH | PASS POWER SUNVISOR |
| GGT 12 YEL | SOFA RECLINER SWITCH EXTEND | SOFA RECLINER MOTOR SOFA 4-WAY | HHN 14 YEL | PASS POWER SUNVISOR SWITCH | PASS POWER SUNVISOR |
| GGU 12 YEL | SOFA RECLINER SWITCH RETRACT | SOFA RECLINER MOTOR SOFA 4-WAY | HHP 14 YEL | HOT WATER HEAT CONTROL BOARD (F1) | ZONE 1 FAN SPEED SWITCH |
| GGV 14 WHT | GPS (BLACK WIRE) | GROUND | HHR 14 YEL | ZONE 1 FAN SPEED SWITCH | ZONE 1 HEATER FAN |
| GGW 16 YEL | GPS (GREEN/WHITE WIRE) | VEHICLE SPEED SENSOR (CHASSIS SUPPLIED) | HHS 16 YEL | HOT WATER HEAT CONTROL BOARD (TC) | ZONE 2 & 3 THERMOSTAT |
| GGX 14 YEL | 10 OHM RESISTOR * | BEDROOM CEILING FAN (LOW SPEED) | HHT 16 YEL | HOT WATER HEAT CONTROL BOARD (T2) | ZONE 2 THERMOSTAT |
| GGY 14 YEL | BATHROOM VENT SWITCH | BATHROOM VENT | HHU 14 YEL | HOT WATER HEAT CONTROL BOARD (F2) | ZONE 2 FAN SPEED SWITCH |
| GGZ 14 YEL | BEDROOM VENT SWITCH | BEDROOM VENT | HHV 14 YEL | ZONE 2 FAN SPEED SWITCH | ZONE 2 HEATER FAN |
| HHA 14 YEL | OVERCURRENT PROTECTION (15A FUSE/BREAKER TYPICAL) | COACH VENTS/LAMPS (REF HHB) | HHW 16 YEL | HOT WATER HEAT CONTROL BOARD (T3) | ZONE 3 THERMOSTAT |
| HHB 14 WHT | COACH VENTS/LAMPS (REF HHA) | GROUND | HHX 14 YEL | HOT WATER HEAT CONTROL BOARD (F3) | ZONE 3 HEATER FAN |
| HHC 12 YEL | STEP COVER SWITCH | STEP COVER MOTOR (+)RETRACT, (-)EXTEND | HHY 16 WHT | AWNING CONTROL BOX | WIND SENSOR (NEGATIVE) |
| HHD 12 YEL | STEP COVER SWITCH | STEP COVER MOTOR (-)EXTEND, (+)RETRACT | HHZ 16 YEL | AWNING CONTROL BOX | WIND SENSOR (POSITIVE) |
| HHE 16 YEL | SLIDEOUT ROOM SWITCH (ROOM THREE EXTEND) | HWH WIRING (ROOM THREE EXTEND) | JJA 16 YEL | AWNING CONTROL BOX | WIND SENSOR TEMPERATURE OUTPUT |
| HHF 16 YEL | SLIDEOUT ROOM SWITCH (ROOM THREE RETRACT) | HWH WIRING (ROOM THREE RETRACT) | JJB 16 YEL | AWNING CONTROL BOX | WIND SENSOR SPEED OUTPUT |
| HHG 16 YEL | SLIDEOUT ROOM SWITCH (ROOM FOUR EXTEND) | HWH WIRING (ROOM FOUR EXTEND) | JJC 14 YEL | ENGINE HEATER CIRCULATING PUMP SWITCH | HOT WATER HEAT CONTROL PANEL (BLU/BLK WIRE) |
| HHH 16 YEL | SLIDEOUT ROOM SWITCH (ROOM FOUR RETRACT) | SLIDEOUT ROOM SWITCH (ROOM FOUR RETRACT) | JJD 10 YEL | OVERCURRENT PROTECTION (25 FUSE TYPICAL) | HOT WATER HEAT CONTROL BOARD |
| HHJ 14 YEL | 110V WATER HEATER TRIGGER SWITCH | WATER HEATER RELAY | JJE 10 WHT | HOT WATER HEAT CONTROL BOARD | GROUND |
| HHK 14 YEL | DRIVER'S POWER SUNVISOR SWITCH | DRIVER'S POWER SUNVISOR | JJF 14 YEL | SATELLITE POWER SWITCH | SATELLITE-AUTO SEEK |

WIRE IDENTIFICATION CHART

| CODE/COLOR | FROM: | TO: | CODE/COLOR | FROM: | TO: |
|---------------|--|--|---------------|---|---|
| JJG 12 YEL | OVERCURRENT PROTECTION (20 AMP BREAKER TYPICAL) | SLIDEOUT ROOM CONTROL SWITCH (RAM #3) | KKC 12 YEL | POWER SEAT RELAY | POWER SEAT (HEATER) |
| JJH 12 WHT | SLIDEOUT ROOM CONTROL SWITCH (RAM #3) | GROUND | KKD 16 YEL | CONFIRMATION EMERGENCY SHUT OFF SWITCH (IN COACH) | EMERGENCY SHUT OFF SWITCH (ON REMOTE FILL BRACKET) |
| JJJ 12 YEL | SLIDEOUT ROOM CONTROL SWITCH (RAM #3) | SLIDEOUT DRIVE MOTOR LEAD #1 | KKE 16 YEL | EMERGENCY SHUT OFF SWITCH (ON REMOTE FILL BRACKET) | EMERGENCY SHUT OFF SOLENOID (ON LP TANK) |
| JJK 12 YEL | SLIDEOUT ROOM CONTROL SWITCH (RAM #3) | SLIDEOUT DRIVE MOTOR LEAD #2 | KKF 6 BLK | BATTERY DISCONNECT RELAY | COACH BUSS BAR |
| JJL 12 YEL | OVERCURRENT PROTECTION (20 AMP BREAKER TYPICAL) | SLIDEOUT ROOM CONTROL SWITCH (RAM #2) | KKG 8 BLK | BATTERY MODE SOLENOID | CHASSIS BUSS BAR |
| JJM 16 YEL | HWH WIRING (SWITCHED BATTERY POWER) | SLIDEOUT ROOM SWITCH #2 (SWITCHED EXTEND/RETRACT PWR) | KKH 14 YEL | EXTERIOR SERVICE LAMP SWITCH #1 | EXTERIOR SERVICE LAMP SWITCH #2 |
| JJN 16 YEL | HWH WIRING (SWITCHED BATTERY POWER) | SLIDEOUT ROOM SWITCH #3 (SWITCHED EXTEND/RETRACT PWR) | KKJ 14 YEL | EXTERIOR SERVICE LAMP SWITCH #1 | EXTERIOR SERVICE LAMP SWITCH #2 |
| JJP 16 YEL | HWH WIRING (SWITCHED BATTERY POWER) | SLIDEOUT ROOM SWITCH #4 (SWITCHED EXTEND/RETRACT PWR) | KKK 16 YEL | HWH WIRING (SWITCHED BATTERY POWER) | SLIDEOUT ROOM #2 SWITCH (POSITIVE) |
| JJR 16 YEL | REMOTE SWITCH (EXTEND) | PATIO AWNING CONTROL MODULE (RELAY POSITION 87A,EXTEND) | KKL 16 YEL | HWH WIRING (SWITCHED BATTERY POWER) | SLIDEOUT ROOM #3 SWITCH (POSITIVE) |
| JJS 12 YEL | REMOTE SWITCH | DOOR AWNING CONTROL RELAY (RELAY POSITION 87A,EXTEND) | KKM 16 YEL | HWH WIRING (SWITCHED BATTERY POWER) | SLIDEOUT ROOM #4 SWITCH (POSITIVE) |
| JJT 14 YEL | OVERCURRENT PROTECTION (15A FUSE/BREAKER TYPICAL) | COACH 12V RECEPTACLES (REF JJU) | KKN 14 YEL | KEYLESS ENTRY PORCH LIGHT OUTPUT | PORCH/STEP/MAP LAMP |
| JJU 14 WHT | COACH 12V RECEPTACLES (REF JJT) | GROUND | KKP 14 YEL | LOUNGE CEILING ROPE LAMP SWITCH (CIRCUIT #1) | LOUNGE CEILING ROPE LAMP (REF CIRCUIT SSZ) |
| JJV 14 YEL | MONITOR PANEL LAMP SWITCH | MONITOR PANEL LAMP | KKR 14 YEL | BEDROOM CEILING ROPE LAMP SWITCH | BEDROOM CEILING ROPE LAMP |
| JJW 14 YEL | RUN ONLY POWER BREAKER | RUN ONLY POWER RELAY | KKS 14 YEL | BEDROOM VALANCE LAMP SWITCH | BEDROOM VALANCE LAMP |
| JJX 14 YEL | RUN ONLY POWER RELAY | GENERAL PURPOSE (RUN ONLY FEED) | KKT 14 YEL | BEDROOM "MOOD" LAMP SWITCH | BEDROOM "MOOD" LAMP |
| JJY 14 YEL | RUN/ACC POWER #1 BREAKER | RUN/ACC POWER #1 RELAY | KKU 16 YEL | REAR TV SPEAKER OUTPUT (RIGHT POSITIVE) | RIGHT SPEAKER (POSITIVE) |
| JJZ 14 YEL | RUN/ACC POWER #1 RELAY (REF LLD) | GENERAL PURPOSE (RUN/ACC FEED #1) | KKV 16 WHT | REAR TV SPEAKER OUTPUT (RIGHT NEGATIVE) | RIGHT SPEAKER (NEGATIVE) |
| KKA 14 YEL | RUN/ACC POWER #2 BREAKER | RUN/ACC POWER #2 RELAY | KKW 16 YEL | REAR TV SPEAKER OUTPUT (LEFT POSITIVE) | LEFT SPEAKER (POSITIVE) |
| KKB 14 YEL | RUN/ACC POWER #2 RELAY (REF LLE) | GENERAL PURPOSE (RUN/ACC FEED #2) | KKX 16 WHT | REAR TV SPEAKER OUTPUT (LEFT NEGATIVE) | LEFT SPEAKER (NEGATIVE) |

WIRE IDENTIFICATION CHART

| CODE/COLOR | FROM: | TO: | CODE/COLOR | FROM: | TO: |
|------------------|--|--|---------------|--|--|
| KKY 14 YEL | OVERCURRENT PROTECTION (15A FUSE/BREAKER TYPICAL) | COACH LIGHTING,ETC CIRCUIT #8 (REF KKZ) | LLU 10 YEL | CONTROL MODULE (LEFT FRONT SLIDE) | LT FRT SLIDE RR RAM (MOTOR DRIVE LINE) |
| KKZ 14 WHT | COACH LIGHTING (REF KKY) | GROUND | LLV 10 YEL | CONTROL MODULE (REAR SLIDE) | REAR SLIDEOUT RAM (MOTOR DRIVE LINE) |
| LLA 14 YEL | OVERCURRENT PROTECTION (15A FUSE/BREAKER TYPICAL) | COACH LIGHTING,ETC CIRCUIT #9 (REF LLB) | LLW 10 YEL | CONTROL MODULE (LEFT FRONT SLIDE) | LT FRT SLIDE RR RAM (MOTOR DRIVE LINE) |
| LLB 14 WHT | COACH LIGHTING (REF LLA) | GROUND | LLX 10 YEL | CONTROL MODULE (REAR SLIDE) | REAR SLIDEOUT RAM (MOTOR DRIVE LINE) |
| LLC 14 YEL | SEAT HEATER BREAKER (15 AMP BREAKER TYPICAL) | SEAT HEATER RELAY POSITION 30 | LLY 16 WHT | CONTROL MODULE (REAR SLIDE)(GROUND) | SLIDEOUT SWITCH (REAR SLIDEOUT) |
| LLD 14 WHT | RUN/ACC FEED #1 (REF JJZ) | GROUND | LLZ 16 YEL | CONTROL MODULE (REAR SLIDE)(RETRACT) | SLIDEOUT SWITCH (REAR SLIDEOUT) |
| LLE 14 WHT | RUN/ACC FEED #2 (REF KKB) | GROUND | MMA 16 YEL | CONTROL MODULE (REAR SLIDE)(STOP) | SLIDEOUT SWITCH (REAR SLIDEOUT) |
| LLF 14 YEL | DOVE LAMP RELAY | DOVE LAMP | MMB 16 YEL | CONTROL MODULE (REAR SLIDE)(GREEN LED) | SLIDEOUT SWITCH (REAR SLIDEOUT) |
| LLG 10/12 YEL | TRAILER BRAKE SIGNAL (OUTPUT FROM CONTROLLER) | TRAILER CONNECTOR (ELECTRIC BRAKES) | MMC 16 YEL | CONTROL MODULE (REAR SLIDE)(EXTEND) | SLIDEOUT SWITCH (REAR SLIDEOUT) |
| LLH 14 WHT | RUN ONLY GROUND SOURCE (CHASSIS SUPPLIED) | AUX START RELAY | MMD 16 YEL | CONTROL MODULE (REAR SLIDE)(RED LED) | SLIDEOUT SWITCH (REAR SLIDEOUT) |
| LLJ 14 YEL | AUX START RELAY (RUN ONLY POWER) | AUX START SWITCH | MME 10 YEL | CHASSIS SIDE OF SOLENOID (FRT LT/REAR SLIDE RAMS) | BREAKER PANEL BUSS BAR (FRT LT/REAR SLIDE RAMS) |
| LLK 10 YEL | CHASSIS BREAKER PANEL (LH FRT SLIDE)(FRT RAM) | CONTROL MODULE (LH FRT SLIDE) | MMF 10 YEL | CHASSIS SIDE OF SOLENOID (FRT RT SLIDE RAMS) | BREAKER PANEL BUSS BAR (FRT RT SLIDE RAMS) |
| LLL 10 WHT | CHASSIS GROUND BAR (LH FRT SLIDE)(FRT RAM) | CONTROL MODULE (LH FRT SLIDE) | MMG 10 YEL | CHASSIS SIDE OF SOLENOID (REAR SLIDE RAM) | BREAKER PANEL (REAR SLIDE RAM) |
| LLM 10 YEL | CHASSIS BREAKER PANEL (LH FRT SLIDE)(REAR RAM) | CONTROL MODULE (LH FRT SLIDE) | MMH 16 YEL | OVERCURRENT PROTECTION (6 AMP BREAKER TYPICAL) | POWER SUNVISOR SWITCH |
| LLN 10 WHT | CHASSIS GROUND BAR (LH FRT SLIDE)(REAR RAM) | CONTROL MODULE (LH FRT SLIDE) | MMJ 16 WHT | GROUND | POWER SUNVISOR SWITCH |
| LLP 10 YEL | CHASSIS BREAKER PANEL (REAR SLIDE RAM) | CONTROL MODULE (REAR SLIDE) | MMK 16 YEL | BEDROOM STEREO (LEFT SPEAKER REF) | CROSS OVER BOX (POSITIVE) |
| LLR 10 WHT | CHASSIS GROUND BAR (REAR SLIDE RAM) | CONTROL MODULE (REAR SLIDE) | MML 16 WHT | BEDROOM STEREO (LEFT SPEAKER REF) | CROSS OVER BOX (NEGATIVE) |
| LLS 10 YEL | CONTROL MODULE (LEFT FRONT SLIDE) | LT FRT SLIDE FRT RAM (MOTOR DRIVE LINE) | MMM 16 YEL | BEDROOM STEREO (RIGHT SPEAKER REF) | CROSS OVER BOX (POSITIVE) |
| LLT 10 YEL | CONTROL MODULE (LEFT FRONT SLIDE) | LT FRT SLIDE FRT RAM (MOTOR DRIVE LINE) | MMN 16 WHT | BEDROOM STEREO (RT/WOOFER SPKER REF) | CROSS OVER BOX (NEGATIVE) |

WIRE IDENTIFICATION CHART

| CODE/COLOR | FROM: | TO: | CODE/COLOR | FROM: | TO: |
|---------------|--|--|---------------|---|--|
| MMP 16 YEL | CROSS OVER COIL (POSITIVE) | SUBWOOFER (BEDROOM) | NNK 16 YEL | KEYLESS ENTRY TOUCH PAD SIGNAL | ENTRANCE DOOR TOUCH PAD |
| MMR 14 YEL | CHASSIS TOW MARKER LAMPS CIRCUIT | TRAILER CONNECTOR (TAIL/MARKER LAMPS) | NNL 16 YEL | PASSENGER TEMP CONTROL (CONTROL OUT) | PASSENGER AC/HEATER |
| MMS 12 YEL | +12V | PASSENGER AC/HEATER CONTROLS | NNM 16 YEL | PASSENGER VENT CONTROL (CONTROL OUT) | PASSENGER VENT |
| MMT 12 YEL | PASSENGER FAN SWITCH (LOW SPEED) | PASSENGER FAN | NNN 16 YEL | CONTROL MODULE (RIGHT FRONT SLIDE)(STOP) | SLIDEOUT SWITCH (RIGHT FRONT SLIDE) |
| MMU 12 YEL | PASSENGER FAN SWITCH (MED SPEED) | PASSENGER FAN | NNP 16 YEL | CONTROL MODULE (RIGHT FRONT SLIDE)(GREEN LED) | SLIDEOUT SWITCH (RIGHT FRONT SLIDE) |
| MMV 12 YEL | PASSENGER FAN SWITCH (HIGH SPEED) | PASSENGER FAN | NNR 16 YEL | CONTROL MODULE (RIGHT FRONT SLIDE)(RED LED) | SLIDEOUT SWITCH (RIGHT FRONT SLIDE) |
| MMW 16 YEL | +12V | PASSENGER CONTROL PANEL LAMPS | NNS 16 WHT | CONTROL MODULE (RIGHT FRONT SLIDE)(GROUND) | SLIDEOUT SWITCH (RIGHT FRONT SLIDEOUT) |
| MMX 16 WHT | PASSENGER CONTROL PANEL LAMPS | GROUND | NNT 16 YEL | CONTROL MODULE (RIGHT FRONT SLIDE)(SIGNAL) | RIGHT FRONT SLIDE,FRONT RAM (ENCODER) |
| MMY 16 WHT | PASSENGER TEMP AND VENT CONTROL | GROUND | NNU 16 YEL | CONTROL MODULE (RIGHT FRONT SLIDE)(+) | RIGHT FRONT SLIDE,FRONT RAM (ENCODER) |
| MMZ 12 YEL | SLIDEOUT ROOM CONTROL SWITCH (RAM #1) | SLIDEOUT DRIVE MOTOR LEAD #1 | NNV 16 WHT | CONTROL MODULE (RIGHT FRONT SLIDE)(-) | RIGHT FRONT SLIDE,FRONT RAM (ENCODER) |
| NNA 12 YEL | SLIDEOUT ROOM CONTROL SWITCH (RAM #1) | SLIDEOUT DRIVE MOTOR LEAD #2 | NNW 16 YEL | CONTROL MODULE (RIGHT FRONT SLIDE)(SIGNAL) | RIGHT FRONT SLIDE,REAR RAM (ENCODER) |
| NNB 16 YEL | CONTROL MODULE (FRONT SLIDE) (SIGNAL) | FRONT SLIDE FRONT RAM (ENCODER) | NNX 16 YEL | CONTROL MODULE (RIGHT FRONT SLIDE)(+) | RIGHT FRONT SLIDE,REAR RAM (ENCODER) |
| NNC 16 YEL | CONTROL MODULE (FRONT SLIDE) (+) | FRONT SLIDE FRONT RAM (ENCODER) | NNY 16 WHT | CONTROL MODULE (RIGHT FRONT SLIDE)(-) | RIGHT FRONT SLIDE,REAR RAM (ENCODER) |
| NND 16 WHT | CONTROL MODULE (FRONT SLIDE) (-) | FRONT SLIDE FRONT RAM (ENCODER) | NNZ 10 YEL | CHASSIS BREAKER PANEL (RH FRT SLIDE)(FRT RAM) | CONTROL MODULE (RIGHT FRONT SLIDE) |
| NNE 16 YEL | CONTROL MODULE (FRONT SLIDE) (SIGNAL) | FRONT SLIDE REAR RAM (ENCODER) | PPA 10 WHT | CHASSIS GROUND BAR (RH FRT SLIDE)(FRT RAM) | CONTROL MODULE (RIGHT FRONT SLIDE) |
| NNF 16 YEL | CONTROL MODULE (FRONT SLIDE) (+) | FRONT SLIDE REAR RAM (ENCODER) | PPB 10 YEL | CHASSIS BREAKER PANEL (RH FRT SLIDE)(REAR RAM) | CONTROL MODULE (RIGHT FRONT SLIDE) |
| NNG 16 WHT | CONTROL MODULE (FRONT SLIDE) (-) | FRONT SLIDE REAR RAM (ENCODER) | PPC 10 WHT | CHASSIS GROUND BAR (RH FRT SLIDE)(REAR RAM) | CONTROL MODULE (RIGHT FRONT SLIDE) |
| NNH 12 YEL | CONTROL MODULE (RAM #2) | SLIDEOUT ACTURATOR DRIVE LEAD #1 | PPD 10 YEL | CONTROL MODULE (RIGHT FRONT SLIDE) | RH FRT SLIDE FRT RAM (MOTOR DRIVE LINE) |
| NNJ 12 YEL | CONTROL MODULE (RAM #2) | SLIDEOUT ACTURATOR DRIVE LEAD #2 | PPE 10 YEL | CONTROL MODULE (RIGHT FRONT SLIDE) | RH FRT SLIDE FRT RAM (MOTOR DRIVE LINE) |

WIRE IDENTIFICATION CHART

| CODE/COLOR | FROM: | TO: | CODE/COLOR | FROM: | TO: |
|---------------|--|---|---------------|---|--|
| PPF 10 YEL | CONTROL MODULE (RIGHT FRONT SLIDE) | RH FRT SLIDE RR RAM (MOTOR DRIVE LINE) | RRB 14 YEL | GENERAL SWITCH | GENERAL LAMP |
| PPG 10 YEL | CONTROL MODULE (RIGHT FRONT SLIDE) | RH FRT SLIDE RR RAM (MOTOR DRIVE LINE) | RRC 14 YEL | GENERAL SWITCH | GENERAL LAMP |
| PPH 14 YEL | CHASSIS CLEARANCE LAMPS CRT #2 (REF MM) | CLEARANCE/MARKER LAMPS | RRD 14 YEL | GALLEY CEILING FAN SWITCH | GALLEY CEILING FAN |
| PPJ 14 YEL | PASSENGER SUNVISOR SWITCH DRIVER'S SIDE | PASSENGER SUNVISOR SWITCH PASSENGER'S SIDE | RRE 14 YEL | 10 OHM RESISTOR | LOUNGE CEILING FAN (LOW SPEED) |
| PPK 14 YEL | PASSENGER SUNVISOR SWITCH DRIVER'S SIDE | PASSENGER SUNVISOR SWITCH PASSENGER'S SIDE | RRF 14 YEL | BEDROOM READING LAMP SWITCH | BEDROOM READING LAMP |
| PPL 14 YEL | DASH RADIO ACCESSORY POWER | TV/RADIO SPEAKER SELECTOR SWITCH | RRG 14 YEL | BEDROOM READING LAMP SWITCH #1 (2 SWITCH SYSTEM) | BEDROOM READING LAMP SWITCH #2 (2 SWITCH SYSTEM) |
| PPM 12 YEL | OVERCURRENT PROTECTION (15A BREAKER TYPICAL) | LEFT FRONT SLIDEOUT LOCK SWITCH | RRH 14 YEL | BEDROOM READING LAMP SWITCH #1 (2 SWITCH SYSTEM) | BEDROOM READING LAMP SWITCH #2 (2 SWITCH SYSTEM) |
| PPN 12 WHT | LEFT FRONT SLIDEOUT LOCK SWITCH (REF PPM) | GROUND | RRJ 12 WHT | SEVEN PIN CONNECTOR (TRAILER CONNECTOR) | GROUND |
| PPP 12 YEL | OVERCURRENT PROTECTION (15A BREAKER TYPICAL) | RIGHT FRONT SLIDEOUT LOCK SWITCH | RRK 16 YEL | 2ND GALLEY HOLDING TANK | SELECTOR SWITCH |
| PPR 12 WHT | RIGHT FRONT SLIDEOUT LOCK SWITCH (REF PPP) | GROUND | RRL 16 YEL | HOLDING TANK SELECTOR SWITCH | MONITOR PANEL |
| PPS 12 YEL | LEFT FRONT SLIDEOUT LOCK SWITCH | LEFT FRONT SLIDEOUT LOCK MOTOR | RRM 14 YEL | CENTER POWER SUNVISOR SWITCH | CENTER SUNVISOR |
| PPT 12 YEL | LEFT FRONT SLIDEOUT LOCK SWITCH | LEFT FRONT SLIDEOUT LOCK MOTOR | RRN 14 YEL | CENTER POWER SUNVISOR SWITCH | CENTER SUNVISOR |
| PPU 12 YEL | RIGHT FRONT SLIDEOUT LOCK SWITCH | RIGHT FRONT SLIDEOUT LOCK MOTOR | RRP 16 YEL | THERMOSTAT (LOW STAGE) | FURNACE (LOW STAGE) |
| PPV 12 YEL | RIGHT FRONT SLIDEOUT LOCK SWITCH | RIGHT FRONT SLIDEOUT LOCK MOTOR | RRR 16 YEL | THERMOSTAT (HIGH STAGE) | FURNACE (HIGH STAGE) |
| PPW 14 YEL | SLIDEOUT LOCK SWITCH W/SLIDEOUT SWITCH #1 IN DASH | SLIDEOUT ROOM #1 SWITCH (POSITIVE) | RRS 16 YEL | SLIDEOUT LOCK SWITCH (#1) | SLIDEOUT LOCK SWITCH (#2) |
| PPX 14 YEL | SLIDEOUT LOCK SWITCH W/SLIDEOUT SWITCH #3 IN DASH | SLIDEOUT ROOM #3 SWITCH (POSITIVE) | RRT 16 YEL | AWNING CONTROL BOX (LOCATED IN HOUSING PIN 1) | DOOR AWNING LIMIT SWITCH (LOCATED IN HOUSING PIN 1) |
| PPY 14 YEL | SLIDEOUT LOCK SWITCH W/SLIDEOUT SWITCH #4 IN DASH | SLIDEOUT ROOM #4 SWITCH (POSITIVE) | RRU 16 WHT | AWNING CONTROL BOX (LOCATED IN HOUSING PIN 2) | DOOR AWNING LIMIT SWITCH (LOCATED IN HOUSING PIN 2) |
| PPZ 12 YEL | CHASSIS SUPPLIED WIRING | TRAILER TOW BATTERY FEED (7 WAY TOW CONNECTOR) | RRV 14 YEL | VIDEO CAMERA SWITCHER | MONITOR |
| RRA 14 YEL | GENERAL SWITCH | GENERAL LAMP | RRW 14 YEL | LOCKOUT POSITIONING SWITCH | FIREPLACE LOCKOUT RECP |

WIRE IDENTIFICATION CHART

| CODE/COLOR | FROM: | TO: | CODE/COLOR | FROM: | TO: |
|---------------|---|---|---------------|--|--|
| RRX 10 YEL | 12V BREAKER PANEL (30 AMP TYPICAL) | SMART FUSE BLOCK (POSITIVE) | SST 14 YEL | GALLEY LAMP SWITCH #1 | GALLEY LAMP SWITCH #2 |
| RRY 18 YEL | SMART FUSE BLOCK (COMMUNICATION BUS) | SMART FUSE SWITCH PANEL | SSU 14 YEL | GALLEY LAMP SWITCH #1 | GALLEY LAMP SWITCH #2 |
| RRZ 18 WHT | SMART FUSE BLOCK (COMMUNICATION GROUND) | SMART FUSE SWITCH PANEL | SSV 14 YEL | BATH CEILING LAMP SWITCH #1 (2 SWITCH SYSTEM) | BATH CEILING LAMP SWITCH #2 (2 SWITCH SYSTEM) |
| SSA 14 WHT | FRONT LEFT SLIDE LOCK (INDICATOR OUTPUT-GROUND) | FRONT LEFT LOCK SWITCH LED | SSW 14 YEL | BATH CEILING LAMP SWITCH #1 (2 SWITCH SYSTEM) | BATH CEILING LAMP SWITCH #2 (2 SWITCH SYSTEM) |
| SSB 14 WHT | FRONT RIGHT SLIDE LOCK (INDICATOR OUTPUT-GROUND) | FRONT RIGHT LOCK SWITCH LED | SSX 12 YEL | DOOR AWNING SWITCH | DOOR AWNING CONTROL RELAY (RELAY POSITION 87A EXTEND) |
| SSC 14 YEL | JACK CONTROL PANEL (LEVEL) | REMOTE AUTO LEVEL SWITCH | SSY 12 WHT | DOOR AWNING SWITCH | DOOR AWNING LIMIT SWITCH |
| SSD 14 YEL | JACK CONTROL PANEL (STORE) | REMOTE AUTO LEVEL SWITCH | SSZ 14 YEL | LOUNGE CEILING ROPE LAMP SWITCH (CIRCUIT #2) | LOUNGE CEILING ROPE LAMP (REF CIRCUIT KKP) |
| SSE 14 YEL | JACK CONTROL PANEL (COMMON) | REMOTE AUTO LEVEL SWITCH (+)HWH (-)KWIKEE | TTA 14 YEL | LEVELING SYSTEM CONTROLS | INDICATOR LAMP/ALARM (POSITIVE) |
| SSF 14 YEL | JACK CONTROL PANEL (INDICATOR LED) | REMOTE AUTO LEVEL SWITCH (-)HWH (+)KWIKEE | TTB 14 WHT | LEVELING SYSTEM CONTROLS | INDICATOR LAMP/ALARM (NEGATIVE) |
| SSG 18 YEL | TRANSFORMER | AUTO GENERATOR START MONITOR PANEL | TTC 10 YEL | CHASSIS BATTERY | SLIDEOUT LOCK BREAKER |
| SSH 18 WHT | TRANSFORMER | AUTO GENERATOR START MONITOR PANEL | TTD 14 YEL | VEHICLE LEFT HEADLAMP HI BEAM CIRCUIT | LEFT HI BEAM LAMP |
| SSJ 10 YEL | BRAKE CONTROLLER POWER (30-AMP BREAKER TYPICAL) | BRAKE CONTROLLER (POWER INPUT) | TTE 14 YEL | RELAY | RIGHT DOCKING LAMP |
| SSK 14 WHT | BRAKE CONTROLLER (GROUND) | GROUND | TTF 14 YEL | RELAY | LEFT DOCKING LAMP |
| SSL 14 YEL | CHASSIS REAR LAMP WIRING (LEFT TURN ONLY) | LEFT TURN SIGNAL *NOT COMBO TURN/BRAKE* | TTG 18 YEL | FRONT THERMOSTAT (MAIN) | REMOTE SENSOR |
| SSM 14 YEL | CHASSIS REAR LAMP WIRING (RIGHT TURN ONLY) | RIGHT TURN SIGNAL *NOT COMBO TURN/BRAKE* | TTH 18 YEL | FRONT THERMOSTAT (MAIN) | REMOTE SENSOR |
| SSN 18 WHT | FRONT RIGHT SLIDEOUT LOCK END SWITCH (FROM NNS) | CONTROL MODULE (RIGHT FRONT SLIDE)(GROUND) | TTJ 14 YEL | BRAKE LAMP CIRCUIT BREAKER | BRAKE LAMP RELAY |
| SSP 18 WHT | LEFT FRONT SLIDEOUT LOCK END SWITCH (FROM DS) | CONTROL MODULE (LEFT FRONT SLIDE)(GROUND) | TTK 14 YEL | RIGHT TURNLAMP CIRCUIT BREAKER | RIGHT TURN LAMP RELAY |
| SSR 16 YEL | EXTERIOR HOLDING TANK SELECTOR SWITCH | EXTERIOR MONITOR PANEL | TTL 14 YEL | LEFT TURN LAMP CIRCUIT BREAKER | LEFT TURN LAMP RELAY |
| SSS 16 YEL | EXTERIOR HOLDING TANK SELECTOR SWITCH | 2ND GALLEY HOLDING TANK | TTM 14 YEL | BACKUP LAMP CIRCUIT BREAKER | BACKUP LAMP RELAY |

WIRE IDENTIFICATION CHART

| CODE/COLOR | FROM: | TO: | CODE/COLOR | FROM: | TO: |
|---------------|---|--|------------|-------|-----|
| TTN 14 YEL | PARK LAMP CIRCUIT BREAKER | PARK LAMP RELAY | | | |
| TTP 12 YEL | AWNING CONTROL BOX | PATIO AWNING #2 (MOTOR POSITIVE) | | | |
| TTR 12 WHT | AWNING CONTROL BOX | PATIO AWNING #2 (MOTOR GROUND) | | | |
| TTS 16 YEL | AWNING CONTROL BOX | PATIO AWNING #2 (SWITCH EXTEND) | | | |
| TTT 16 YEL | AWNING CONTROL BOX | PATIO AWNING #2 (SWITCH COMMON) | | | |
| TTU 16 YEL | AWNING CONTROL BOX | PATIO AWNING #2 (SWITCH RETRACT) | | | |
| TTV 16 YEL | AWNING CONTROL BOX | WIND SENSOR #2 (POSITIVE) | | | |
| TTW 16 YEL | AWNING CONTROL BOX | WIND SENSOR #2 (NEGATIVE) | | | |
| TTX 16 YEL | AWNING CONTROL BOX | WIND SENSOR #2 (SPEED OUTPUT) | | | |
| TTY 18 YEL | CHASSIS BATT DISCONNECT RELAY (TERMINAL I) | CHASSIS BATT DISCONNECT SWITCH | | | |
| TTZ 18 YEL | CHASSIS BATT DISCONNECT RELAY (TERMINAL S) | CHASSIS BATT DISCONNECT SWITCH | | | |
| UUA 18 YEL | CHASSIS BATT DISCONNECT RELAY LOAD SIDE FUSE FEED | CHASSIS BATT DISCONNECT SWITCH INDICATOR LAMP | | | |
| UUB 18 YEL | CHASSIS BATT DISCONNECT RELAY BATTERY SIDE FUSE FEED | CHASSIS BATT DISCONNECT SWITCH | | | |
| UUC 18 WHT | CHASSIS BATT DISCONNECT SWITCH | GROUND | | | |
| UUD 12 YEL | RIGHT REAR SLIDEOUT LOCK SWITCH | RIGHT REAR SLIDEOUT LOCK MOTOR | | | |
| UUE 12 YEL | RIGHT REAR SLIDEOUT LOCK SWITCH | RIGHT REAR SLIDEOUT LOCK MOTOR | | | |