



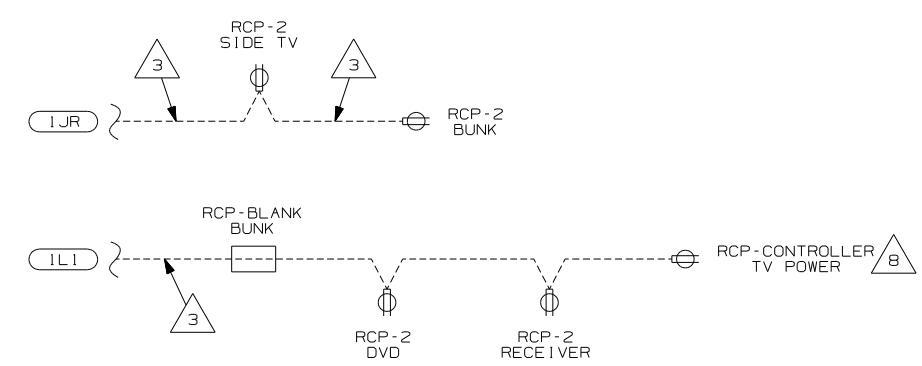
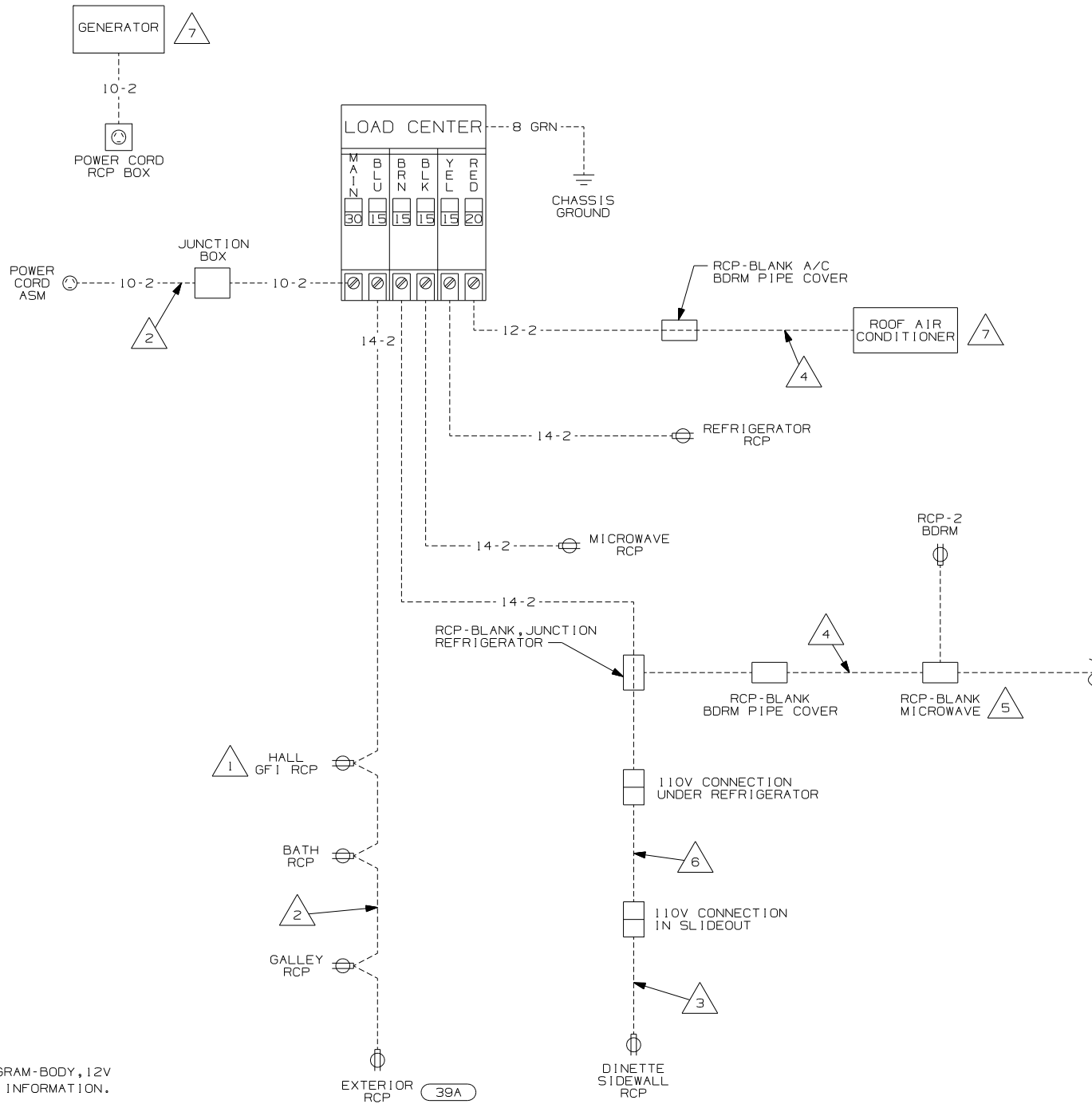
DANGER

Danger of electrical shock, burns or death. Always remove all power sources before attempting any repair, service or diagnostic work. Power can be present from shore power, generator, inverter or battery. All power sources must be disabled and secured before performing any service.



CAUTION

If you lack the skills, tools or equipment to perform diagnostic or repair work leave such work to an authorized Winnebago Industries dealer or other qualified shop.



- (39A) EXT RECEPTACLE DPLX 120VAC
- (1L1) TV-27" W/VIDEO SELECTION SYS
- (1JR) TV-13" W/DVD-12V
- (12D) ELECTRICAL SYSTEM 30 AMP
- (265) CODES/STANDARDS-CSA/CMVSS
- (1B1) CODES/STANDARDS-USA

- (8) SEE WIRING DIAGRAM-BODY, 12V FOR ADDITIONAL INFORMATION.
- (7) SEE MANUFACTURERS DIAGRAM.
- (6) WIRE ROUTED BELOW FLOOR.
- (5) ONLY WITH (1L1)
- (4) WIRE ROUTED THRU ROOF.
- (3) WIRE ROUTED THRU SIDEWALL.
- (2) WIRE ROUTED THRU FLOOR.
- (1) ALL OUTLETS DOWN STREAM AND INCLUDING THIS OUTLET ARE GROUND FAULT CIRCUIT INTERRUPT PROTECTED.

NOTES:

WINNEBAGO		COPYRIGHT 2006 WINNEBAGO INDUSTRIES, INC.	
DFT	ORIG. DATE		
CHKR	ALL DIMENSIONS ARE IN MILLIMETERS		
P.E.			
M.E.	FIRST USED	07 228P	
DSNR			
UNSPECIFIED TOLERANCES ARE:		MATERIAL:	
WHOLE DIM (X)	:		
ONE-PLACE (X.X)	:		
TWO-PLACE (X.XX)	:		
ANGLE	:		
THIRD ANGLE PROJECTION			
DO NOT SCALE DRAWING			
TITLE: WIRING DIAGRAM-BODY, 110V			
SHEET 1 of 1	PART NO	159006	REV
REF:	1 6/17/2006		