



DANGER

Danger of electrical shock, burns or death. Always remove all power sources before attempting any repair, service or diagnostic work. Power can be present from shore power, generator, inverter or battery. All power sources must be disabled and secured before performing any service.

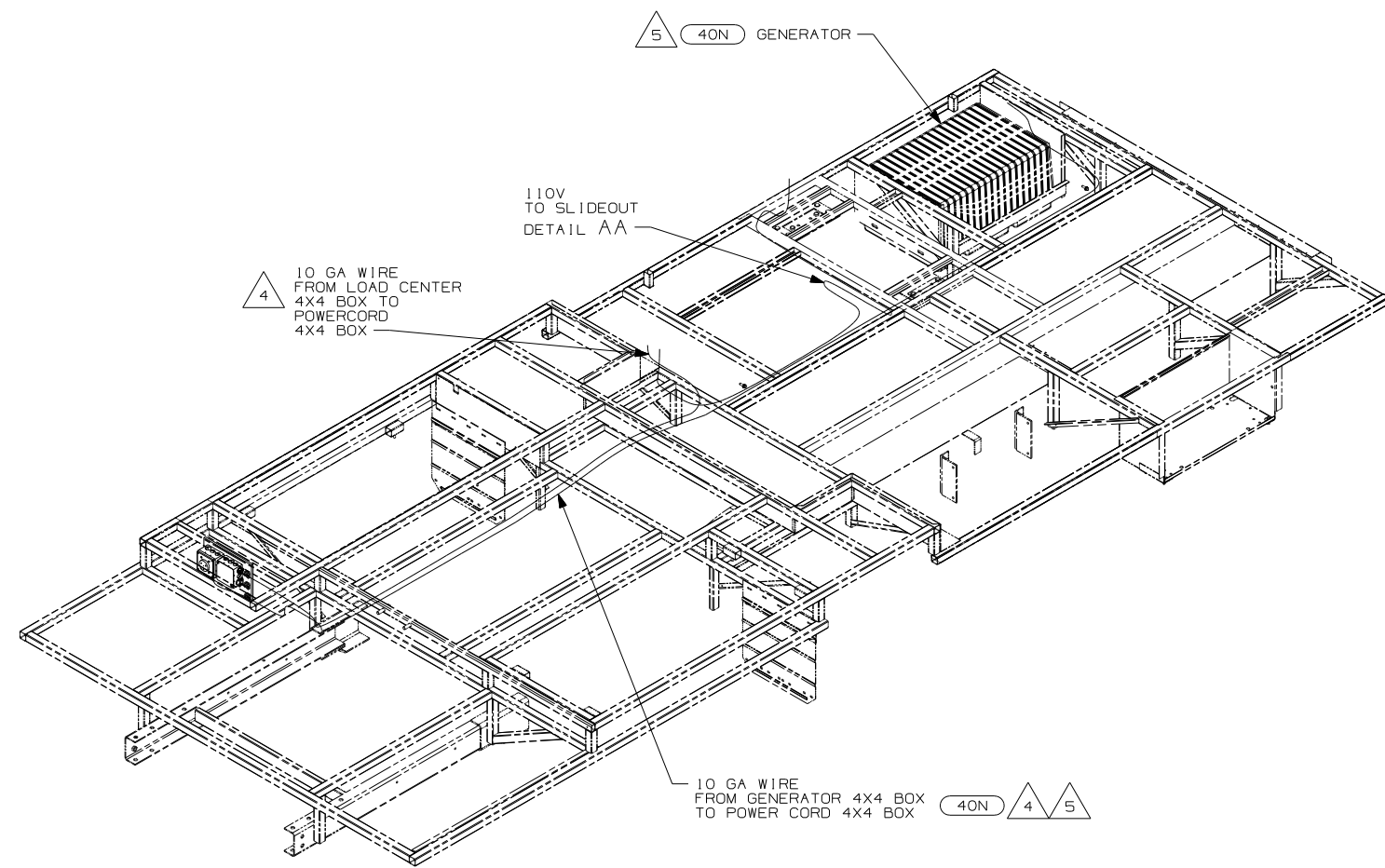


CAUTION

If you lack the skills, tools or equipment to perform diagnostic or repair work leave such work to an authorized Winnebago Industries dealer or other qualified shop.

DRAWING NO.	FEATURE
159000-01	-----
159000-11	(1B1) (12D)
159000-15	(265) (12D)

RELEASE	REV DATE	DWG NO
A		159000
REV ZONE	REVISION RECORD	DATE DFR-ORIG



(40N)	GEN-4.0KW-ONAN-GAS-MICROLITE
(12D)	ELECTRICAL SYSTEM 30 AMP
(265)	CODES/STANDARDS-CSA-CMVSS
(1B1)	CODES/STANDARDS USA
(1B1) (265) (12D)	

WINNEBAGO COPYRIGHT 2006 WINNEBAGO INDUSTRIES, INC.

DFTR	ORIG. DATE
CHKR	ALL DIMENSIONS ARE IN MILLIMETERS
P.E.	
M.E.	FIRST USED
DSNR	07 228P

UNSPECIFIED TOLERANCES ARE: MATERIAL:

WHOLE DIM (X)	: 3
ONE-PLACE (X.X)	: 1.5
TWO-PLACE (X.XX)	: 0.50
ANGLE	: 1°

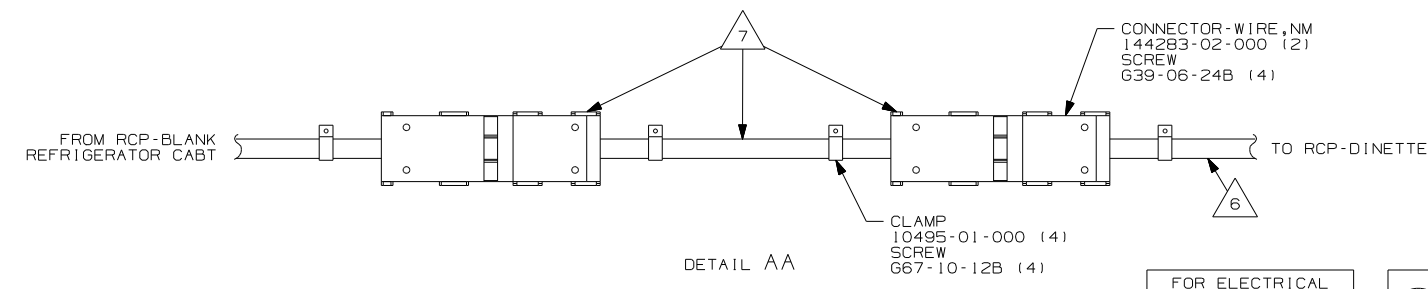
THIRD ANGLE PROJECTION

DO NOT SCALE DRAWING

TITLE: WIRING INSTL-BODY, 110V

SHEET 1 OF 3 PART NO 159000 REV

REF: 1 8/9/2006

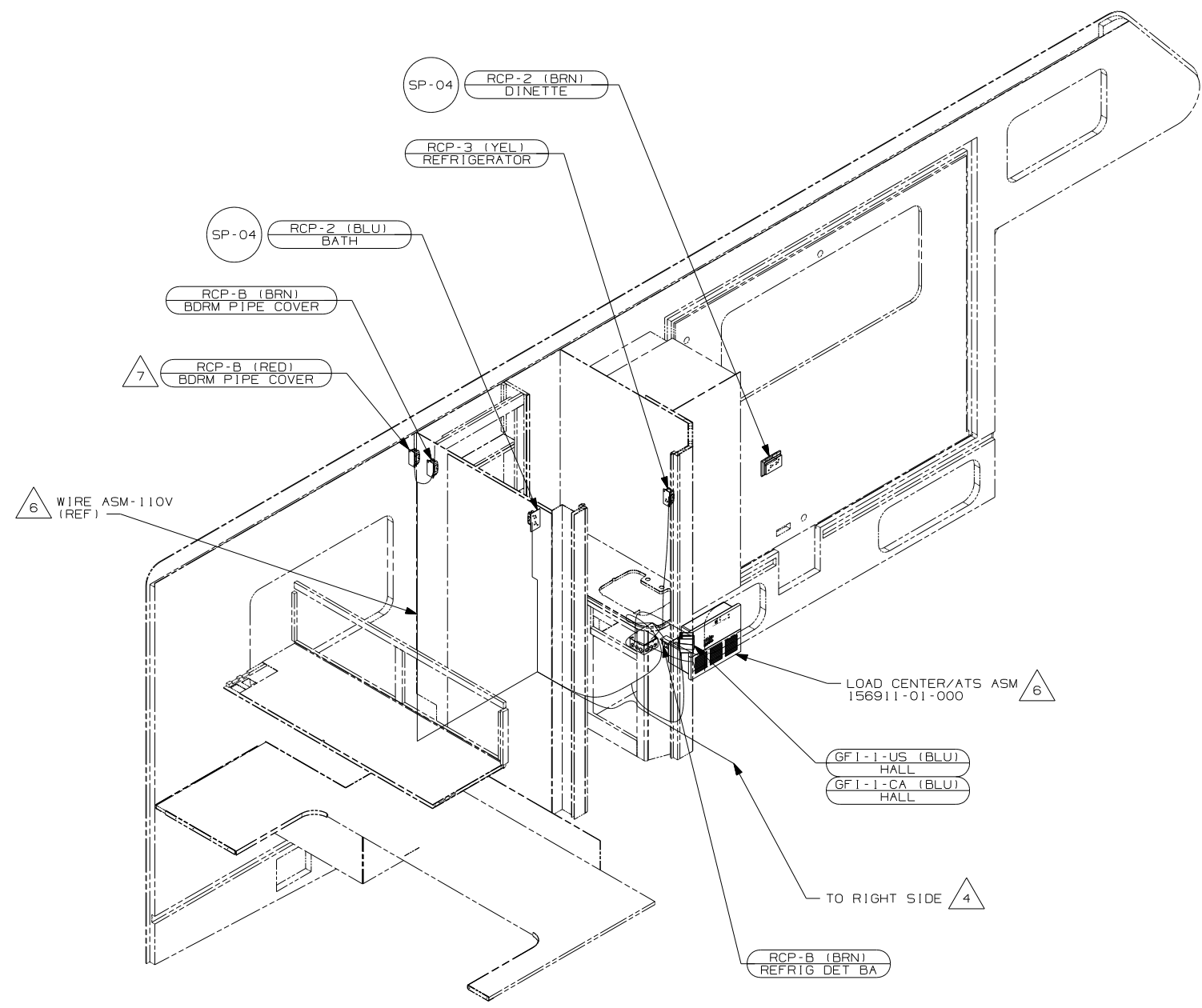
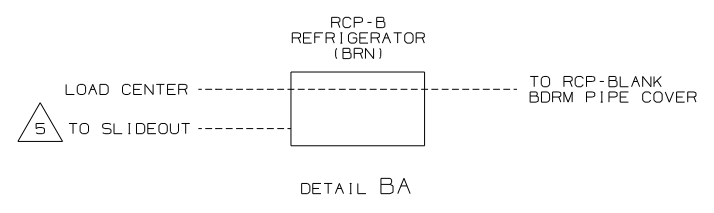


- 7 CORD AND CONNECTORS ARE PART OF WIRE ASM-CHASSIS.
- 6 WIRE IN SIDEWALL
- 5 SEE GENERATOR INSTL. FOR ADDITIONAL INFORMATION.
- 4 SEE LOAD CENTER/ATS ASM FOR ADDITIONAL INFORMATION.
- ALL GROUND WIRES TO BE COVERED WITH TUBING 8041-02-000.
 - ALL 110V WIRE ARE TO BE CLAMPED WITH CLAMP 10495-01-000 WITHIN 200MM OF OUTLET BOXES, USE SCREW G67-10-12B.
 - ALL WIRES TO BE SECURED WITH CLAMP 10495-01-000 OR CLIP 80734-01-000 EVERY 600MM. USE SCREW G67-10-12B UNLESS OTHERWISE SPECIFIED.

NOTES:

FOR ELECTRICAL TORQUE SPECIFICATIONS SEE DWG NO. 128783-01-000

FOR ELECTRICAL CALLOUTS SEE DWG NO. 121339-01-000



- △ 7 SEE WIRING INSTL-ROOF A/C FOR ADDITIONAL INFORMATION.
- △ 6 SEE LOAD CENTER/ATS ASM FOR ADDITIONAL INFORMATION.
- △ 5 WIRE ROUTED IN SIDEWALL.
- △ 4 WIRE ROUTED IN FLOOR.

- 3. ALL GROUND WIRES TO BE COVERED WITH TUBING 8041-02-000.
- 2. ALL WIRING TO BE SECURED WITHIN 200MM OF OUTLET BOXES.
- 1. ALL WIRES TO BE SECURED WITH CLAMP 10495-01-000 OR CLIP 80734-01-000 EVERY 600MM. USE SCREW 667-10-12B UNLESS OTHERWISE SPECIFIED.

NOTES:

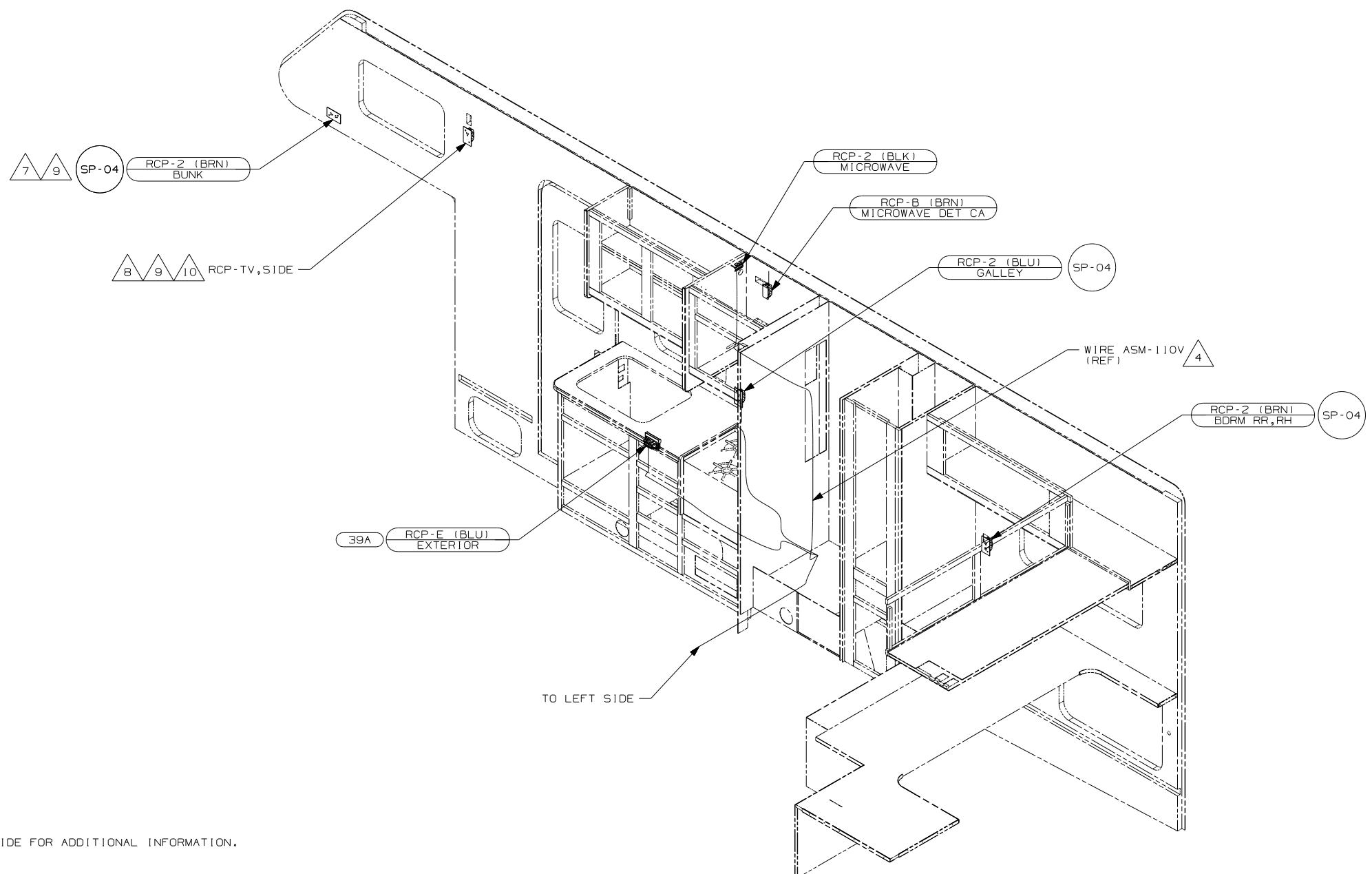
- 12D ELECTRICAL SYSTEM 30 AMP
- 265 CODES/STANDARDS-CSA/CMVSS
- 1B1 CODES/STANDARDS USA

FIRST USED	
07 228P	
DO NOT SCALE DRAWING	
TITLE:	
WIRING INSTL-BODY, 110V	
SHEET 2	PART NO 159000

FOR ELECTRICAL TORQUE SPECIFICATIONS SEE DWG NO. 128783-01-000

FOR ELECTRICAL CALLOUTS SEE DWG NO. 121339-01-000

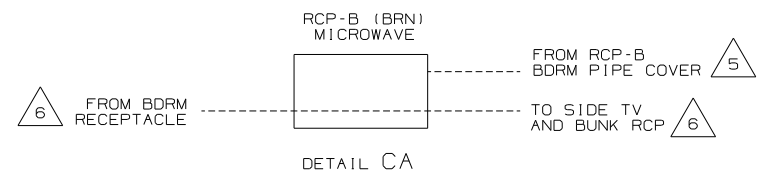




- △10 SEE WIRING INSTL-TV/DVD,SIDE FOR ADDITIONAL INFORMATION.
- △9 NOT USED WITH (ILI)
- △8 NOT USED WITH (IJG)
- △7 SEE WIRING INSTL-TV/DVD,FRONT FOR ADDITIONAL INFORMATION.
- △6 WIRE ROUTED IN SIDEWALL.
- △5 WIRE ROUTED IN ROOF.
- △4 SEE LOAD CENTER/ATS ASM FOR ADDITIONAL INFORMATION.

3. ALL GROUND WIRES TO BE COVERED WITH TUBING 8041-02-000.
2. ALL WIRING TO BE SECURED WITHIN 200MM OF OUTLET BOXES.
1. ALL WIRES TO BE CLAMPED WITH CLAMP 10495-01-000 OR CLIP 80734-01-000 EVERY 1200MM. USE SCREW G67-10-12B UNLESS OTHERWISE SPECIFIED.

NOTES:



FOR ELECTRICAL TORQUE SPECIFICATIONS SEE DWG NO. 128783-01-000

(X-X) FOR ELECTRICAL CALLOUTS SEE DWG NO. 121339-01-000

- (ILI) TV-27" W/VIDEO SELECTION SYS
- (39A) EXT RECEPTACLE DPLX 120VAC
- (IJG) TV-14" DC, LCD, & DVD, DC
- (I2D) ELECTRICAL SYSTEM 30 AMP
- (265) CODES/STANDARDS-CSA/CMVSS
- (IB1) CODES/STANDARDS USA

FIRST USED		07 228P	
DO NOT SCALE DRAWING			
TITLE: WIRING INSTL-BODY, 110V			
SHEET 3	PART NO	159000	REV