



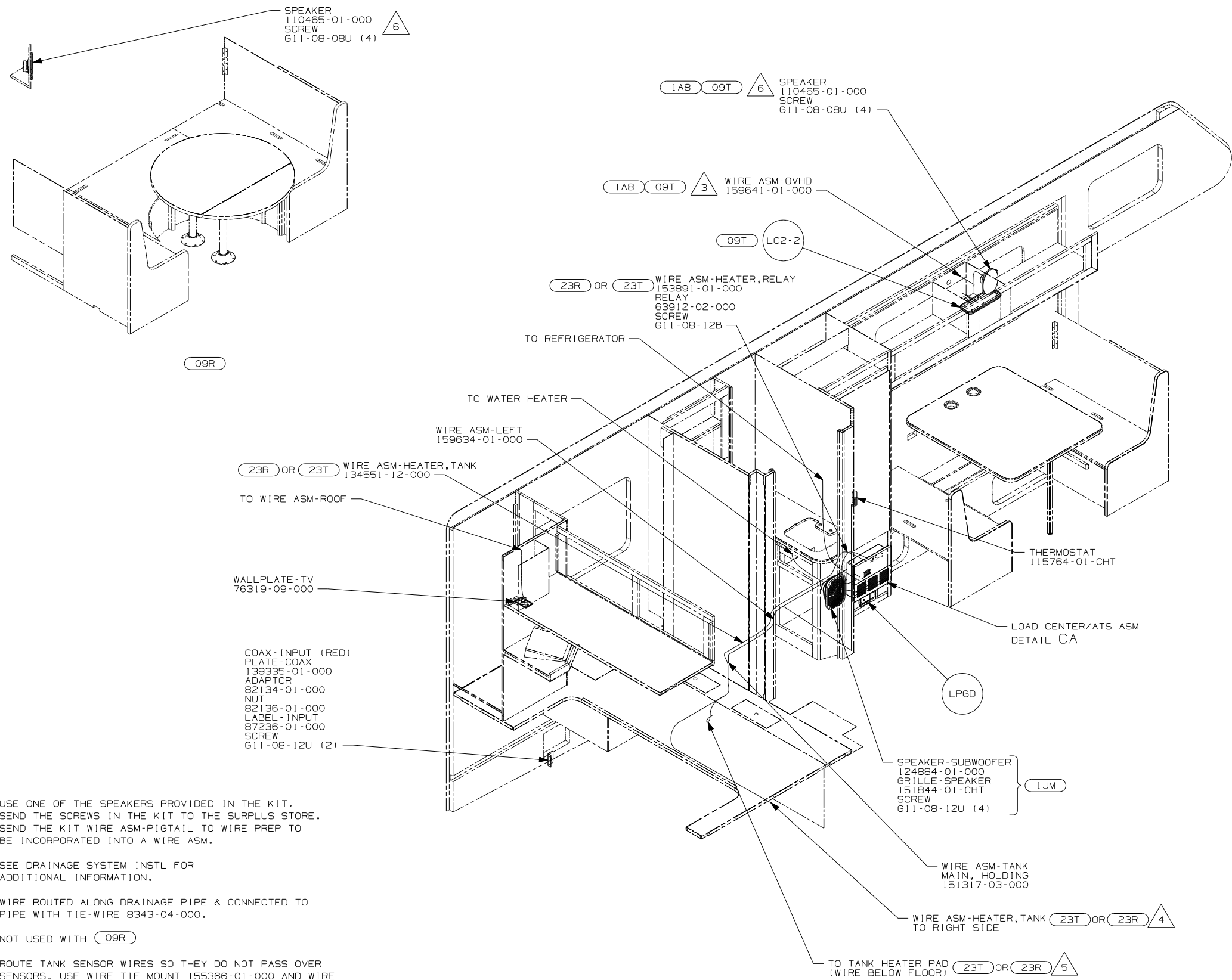
DANGER

Danger of electrical shock, burns or death. Always remove all power sources before attempting any repair, service or diagnostic work. Power can be present from shore power, generator, inverter or battery. All power sources must be disabled and secured before performing any service.



CAUTION

If you lack the skills, tools or equipment to perform diagnostic or repair work leave such work to an authorized Winnebago Industries dealer or other qualified shop.



- NOTES:
- ALL WIRES TO BE SECURED WITH CLAMP 10495-01-000 OR CLIP 80734-01-000 EVERY 600MM. USE SCREW 667-10-12B UNLESS OTHERWISE SPECIFIED.
 - ROUTE TANK SENSOR WIRES SO THEY DO NOT PASS OVER SENSORS. USE WIRE TIE MOUNT 155366-01-000 AND WIRE TIE 8343-01-000 AS NEEDED. TANK SURFACE MUST BE CLEANED USING ISOPROPYL ALCOHOL AND PRIME WITH PRIMER 94.
 - NOT USED WITH 09R
 - WIRE ROUTED ALONG DRAINAGE PIPE & CONNECTED TO PIPE WITH TIE-WIRE 8343-04-000.
 - SEE DRAINAGE SYSTEM INSTL FOR ADDITIONAL INFORMATION.
 - USE ONE OF THE SPEAKERS PROVIDED IN THE KIT. SEND THE SCREWS IN THE KIT TO THE SURPLUS STORE. SEND THE KIT WIRE ASM-PIGTAIL TO WIRE PREP TO BE INCORPORATED INTO A WIRE ASM.

- 1A8 SLIDEOUT ROOM FRONT LEFT WO
- 09T SLIDEOUT RM-DINETTE, BENCH
- 23R DRAINAGE SYSTEM-HEATED
- 23T DRAINAGE SYSTEM/HEAT-PREP
- 09R SLIDEOUT RM-DINETTE, U-SHAPED
- 1JM HOME THEATER SOUND SYSTEM
- 40N GEN-4.0KW-ONAN-GAS-MICROLITE
- 1A3 GENERATOR WITHOUT
- 265 CODES/STANDARDS-CSA/CMVSS
- 1B1 CODES/STANDARDS USA

WINNEBAGO COPYRIGHT 2006 WINNEBAGO INDUSTRIES, INC.

DFTR	ORIG. DATE
CHKR	ALL DIMENSIONS ARE IN MILLIMETERS
P.E.	
M.E.	FIRST USED
DSNR	07 228P

UNSPECIFIED TOLERANCES ARE: MATERIAL:

HOLE DIM (X)	: 3
ONE-PLACE (X, X)	: 1.5
TWO-PLACE (X, XX)	: 0.50
ANGLE	: 1°

THIRD ANGLE PROJECTION

DO NOT SCALE DRAWING

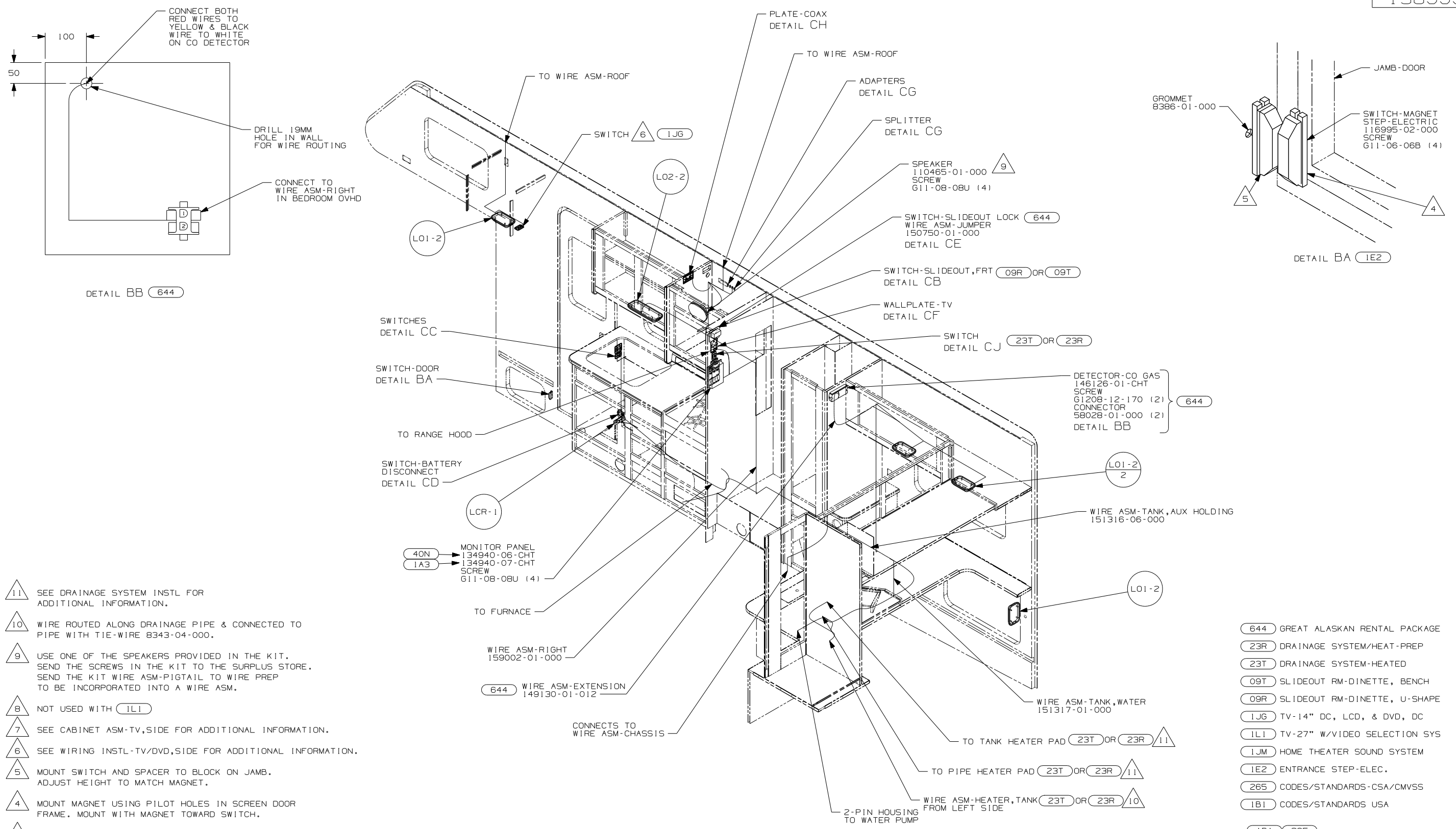
TITLE: WIRING INSTL-BODY, 12V

SHEET 1 OF 4 PART NO 158999 REV

REF: 1 11/28/2006

FOR ELECTRICAL TORQUE SPECIFICATIONS SEE DWG NO. 128783-01-000

X-X FOR ELECTRICAL CALLOUTS SEE DWG NO. 121339-01-000



- 11 SEE DRAINAGE SYSTEM INSTL FOR ADDITIONAL INFORMATION.
 - 10 WIRE ROUTED ALONG DRAINAGE PIPE & CONNECTED TO PIPE WITH TIE-WIRE 8343-04-000.
 - 9 USE ONE OF THE SPEAKERS PROVIDED IN THE KIT. SEND THE SCREWS IN THE KIT TO THE SURPLUS STORE. SEND THE KIT WIRE ASM-PIGTAIL TO WIRE PREP TO BE INCORPORATED INTO A WIRE ASM.
 - 8 NOT USED WITH (IL1)
 - 7 SEE CABINET ASM-TV,SIDE FOR ADDITIONAL INFORMATION.
 - 6 SEE WIRING INSTL-TV/DVD,SIDE FOR ADDITIONAL INFORMATION.
 - 5 MOUNT SWITCH AND SPACER TO BLOCK ON JAMB. ADJUST HEIGHT TO MATCH MAGNET.
 - 4 MOUNT MAGNET USING PILOT HOLES IN SCREEN DOOR FRAME. MOUNT WITH MAGNET TOWARD SWITCH.
 - 3 WIRE ROUTED IN SIDEWALL.
2. SEE WIRING INSTL-TV/DVD,FRONT FOR ADDITIONAL INFORMATION.
1. ALL WIRES TO BE SECURED WITH CLAMP 10495-01-000 OR CLIP 80734-01-000 EVERY 600MM. USE SCREW 667-10-12B UNLESS OTHERWISE SPECIFIED.

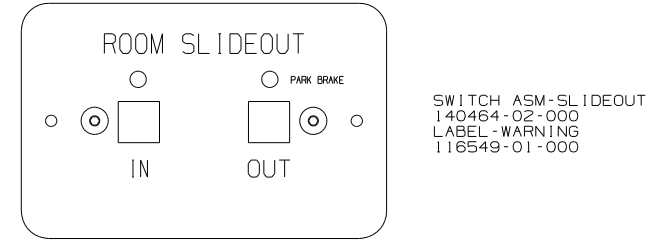
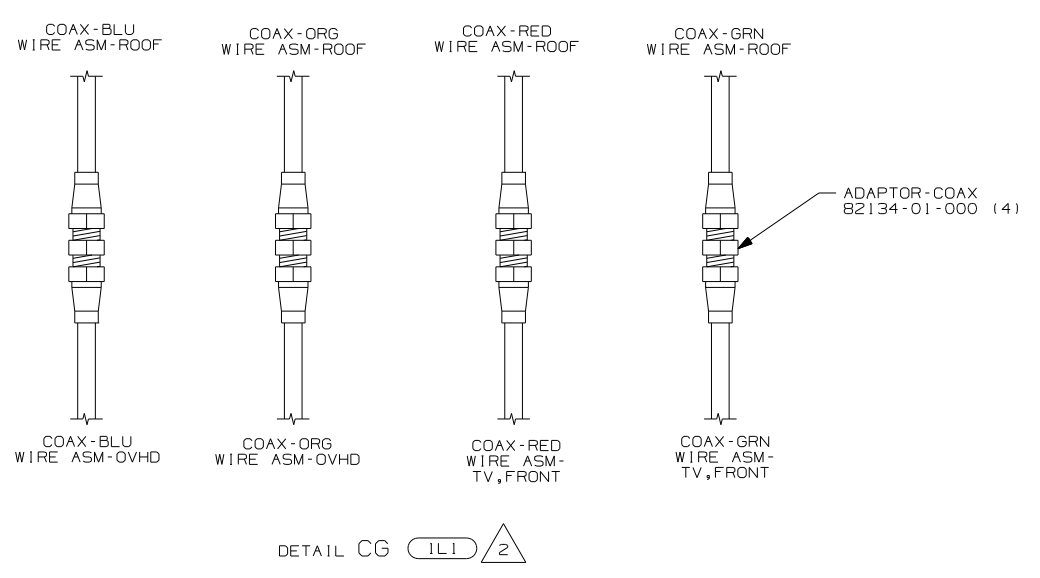
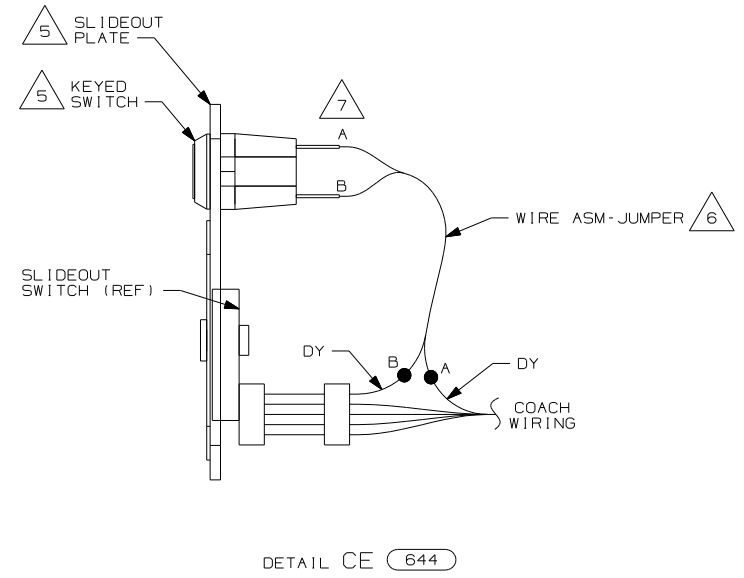
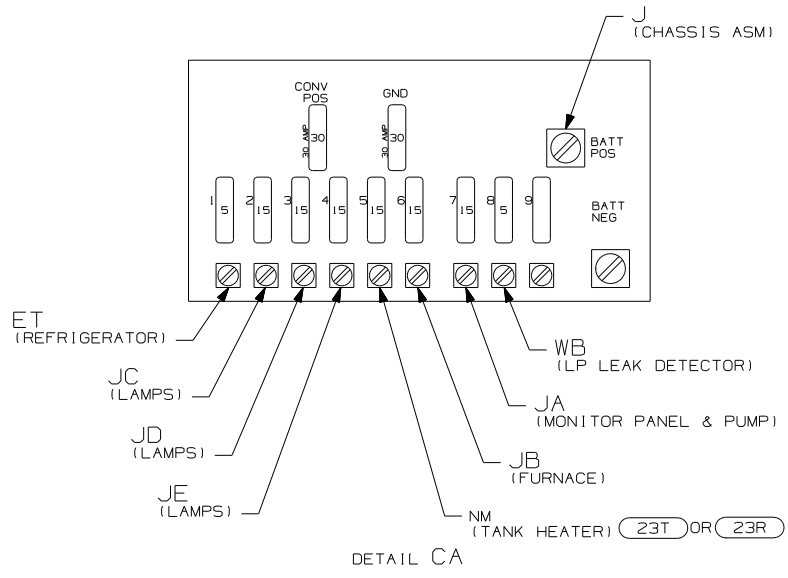
- (644) GREAT ALASKAN RENTAL PACKAGE
- (23R) DRAINAGE SYSTEM/HEAT-PREP
- (23T) DRAINAGE SYSTEM-HEATED
- (09T) SLIDEOUT RM-DINETTE, BENCH
- (09R) SLIDEOUT RM-DINETTE, U-SHAPE
- (1JG) TV-14" DC, LCD, & DVD, DC
- (IL1) TV-27" W/VIDEO SELECTION SYS
- (1JM) HOME THEATER SOUND SYSTEM
- (IE2) ENTRANCE STEP-ELEC.
- (265) CODES/STANDARDS-CSA/CMVSS
- (1B1) CODES/STANDARDS USA

NOTES:

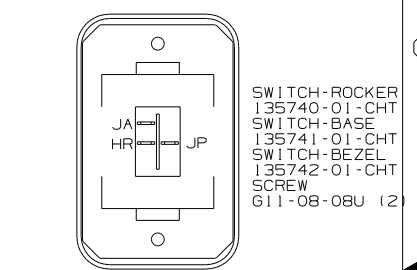
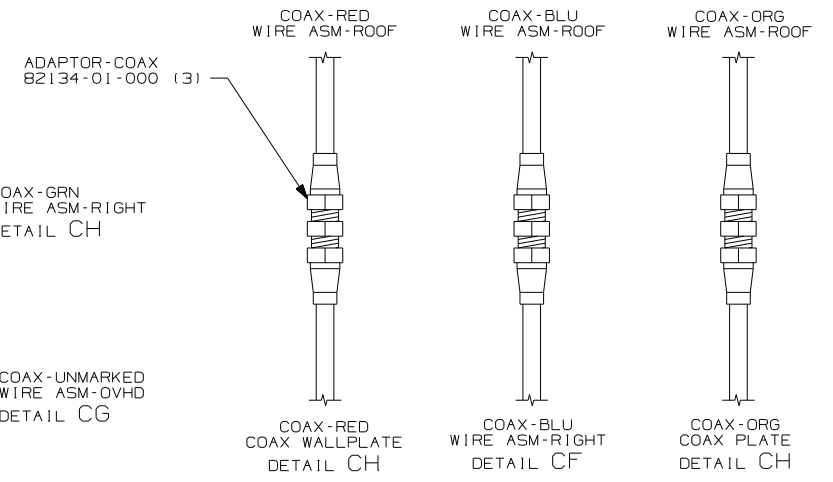
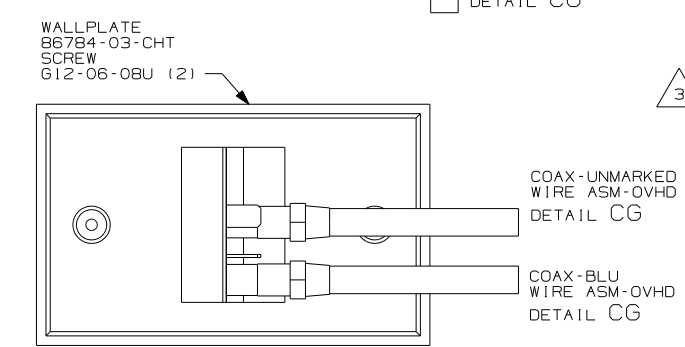
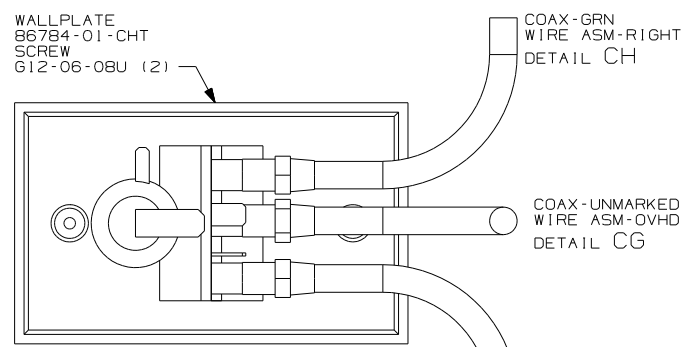
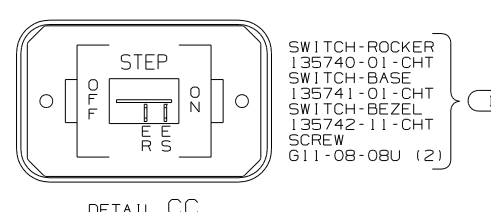
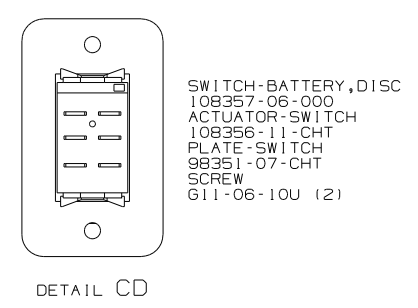
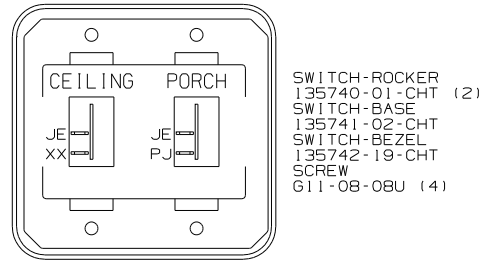
FOR ELECTRICAL TORQUE SPECIFICATIONS SEE DWG NO. 128783-01-000

(X-X) FOR ELECTRICAL CALLOUTS SEE DWG NO. 121339-01-000

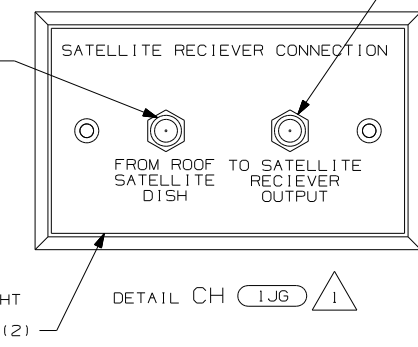
FIRST USED	07 228P
DO NOT SCALE DRAWING	
TITLE:	WIRING INSTL-BODY, 12V
SHEET 2	PART NO 158999 REV



WARNING UNDERSTAND OPERATOR'S MANUAL BEFORE USING. KEEP PEOPLE AND OBSTRUCTIONS CLEAR OF SLIDEOUT ROOM WHEN OPERATING TO AVOID INJURY AND/OR PROPERTY DAMAGE.



HOLDING TANK HEATER
TURN OFF When Not In Use
SEE OPERATORS MANUAL



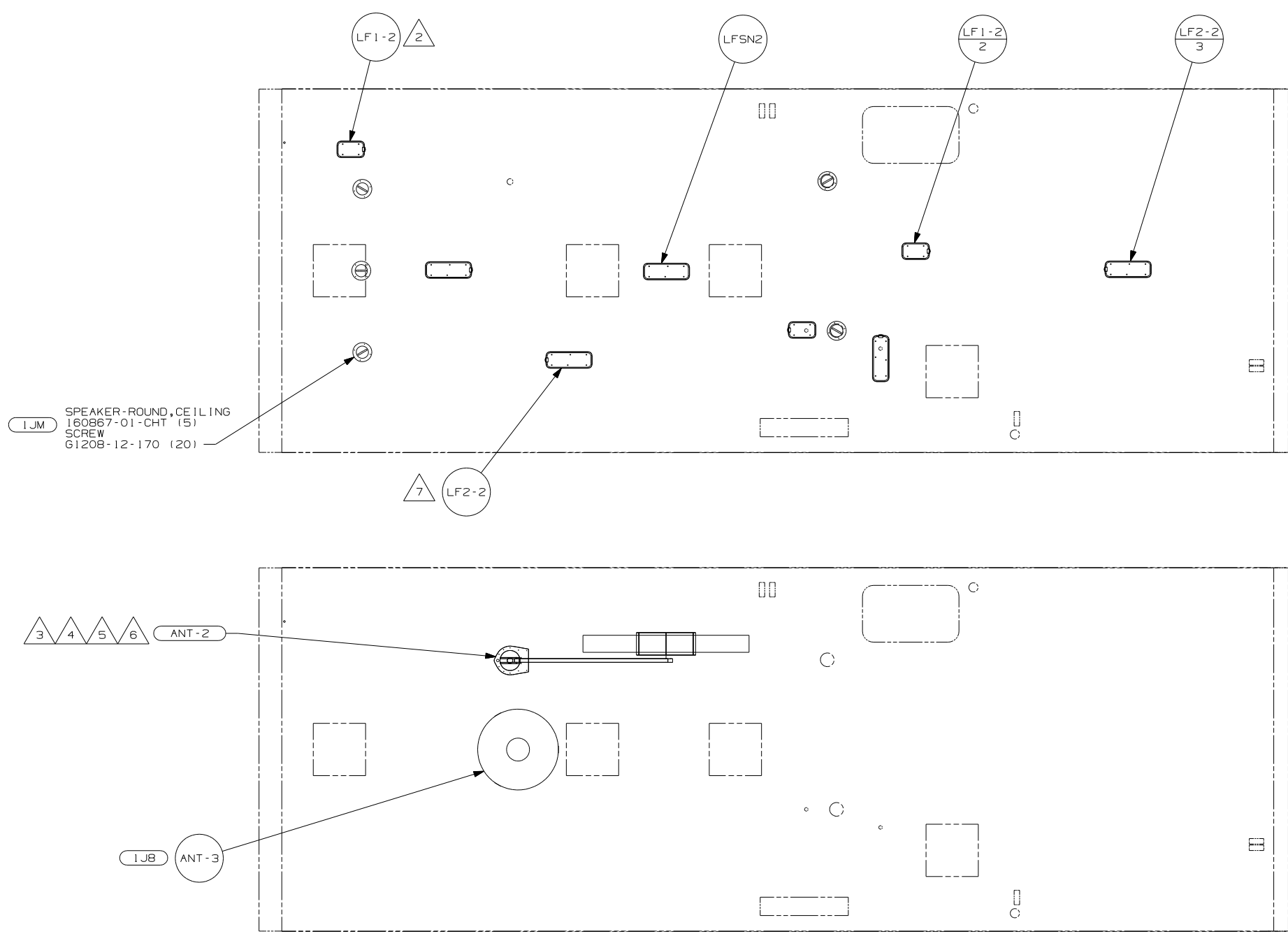
- NOTES:
- 4 CONNECT COAX TO FRONT SIDE OF WALLPLATE.
 - 3 CONNECT COAX TO BACK SIDE OF WALLPLATE.
 - 2 NOT USED WITH 1JG
 - 1 NOT USED WITH 1L1
 - 7 REMOVE TERMINALS (SUPPLIED WITH KEY SWITCH) CRIMP ON TO WIRE ASM-JUMPER, AND RECONNECT TO KEY SWITCH.
 - 6 CUT CIRCUIT BY GOING TO SLIDEOUT SWITCH HOUSING AND RECONNECT AS SHOWN.
 - 5 SUPPLIED BY GREAT ALASKAN RENTAL COMPANY.

FOR ELECTRICAL TORQUE SPECIFICATIONS SEE DWG NO. 128783-01-000

FOR ELECTRICAL CALLOUTS SEE DWG NO. 121339-01-000

- 644 GREAT ALASKAN RENTAL PACKAGE
- 23R DRAINAGE SYSTEM/HEAT-PREWIRE
- 1JD DRAINAGE SYSTEM-HEATED-W/O
- 23T DRAINAGE SYSTEM-HEATED
- 09T SLIDEOUT RM-DINETTE, BENCH
- 09R SLIDEOUT ROOM FRONT-LEFT
- 1L1 TV-27" W/VIDEO SELECTION SYS
- 1JG TV-14" DC, LCD, & DVD, DC
- 1E2 ENTRANCE STEP-ELEC.
- 265 CODES/STANDARDS-CSA/CMVSS
- 1B1 CODES/STANDARDS USA

FIRST USED	07 228P
TITLE	DO NOT SCALE DRAWING
WIRING INSTL-BODY, 12V	
SHEET 3	PART NO 158999 REV



- △ 7 USED ONLY WITH (09R)
- △ 6 ADD RUBBER BUMPER TO ROOF UNDER EACH END OF ANTENNA IN DOWN POSITION WHICH MAY COME INTO CONTACT WITH ROOF.
- △ 5 LOCATE CLAMP TO RETAIN CABLE BUT NOT TO RESTRICT ANTENNA TRAVEL.
- △ 4 SEE DRAWING 76319-01-000 FOR INSTALLATION OF TV ANTENNA.
- △ 3 NOT USED WITH (IJ8)
- △ 2 NOT USED WITH (IL1)

NOTES:
1. SEE ROOF ASM FOR ADDITIONAL INFORMATION.

- (09R) SLIDEOUT RM-DINETTE, U-SHAPED
- (IL1) TV-27" W/VIDEO SELECTION SYS
- (IJM) HOME THEATER SOUND SYSTEM
- (265) CODES/STANDARDS-CSA/CMVSS
- (1B1) CODES/STANDARDS USA

FIRST USED		07 228P	
DO NOT SCALE DRAWING			
TITLE: WIRING INSTL-BODY, 12V			
SHEET 4	PART NO	158999	REV

FOR ELECTRICAL TORQUE SPECIFICATIONS SEE DWG NO. 128783-01-000

(X-X) FOR ELECTRICAL CALLOUTS SEE DWG NO. 121339-01-000