



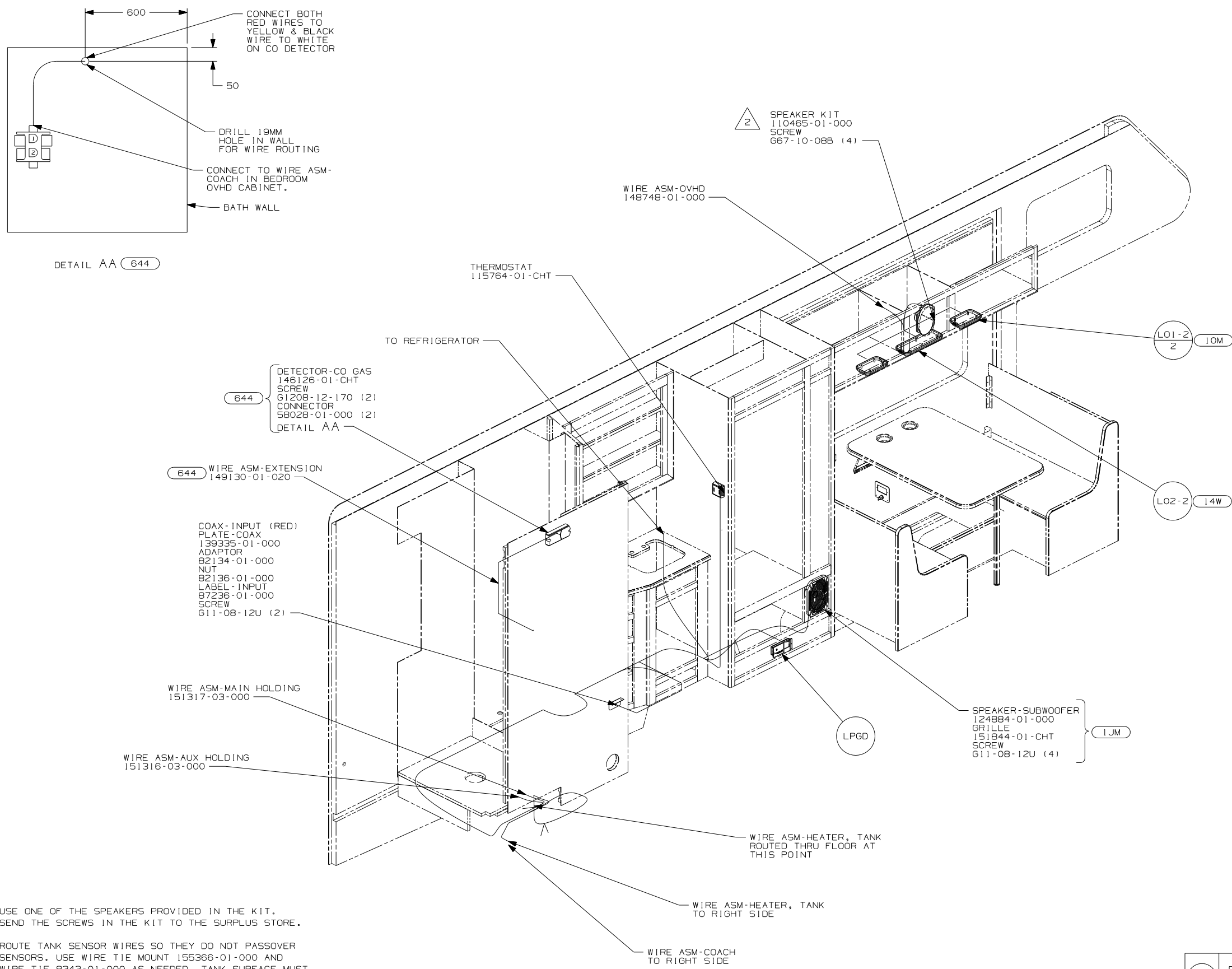
DANGER

Danger of electrical shock, burns or death. Always remove all power sources before attempting any repair, service or diagnostic work. Power can be present from shore power, generator, inverter or battery. All power sources must be disabled and secured before performing any service.



CAUTION

If you lack the skills, tools or equipment to perform diagnostic or repair work leave such work to an authorized Winnebago Industries dealer or other qualified shop.



DETAIL AA 644

644
 DETECTOR-CO GAS
 146126-01-CHT
 SCREW
 61208-12-170 (2)
 CONNECTOR
 58028-01-000 (2)
 DETAIL AA

644
 WIRE ASM-EXTENSION
 149130-01-020

COAX-INPUT (RED)
 PLATE-COAX
 139335-01-000
 ADAPTOR
 82134-01-000
 NUT
 82136-01-000
 LABEL-INPUT
 87236-01-000
 SCREW
 611-08-12U (2)

WIRE ASM-MAIN HOLDING
 151317-03-000

WIRE ASM-AUX HOLDING
 151316-03-000

2
 SPEAKER KIT
 110465-01-000
 SCREW
 667-10-08B (4)

WIRE ASM-OVHD
 148748-01-000

THERMOSTAT
 115764-01-CHT

TO REFRIGERATOR

L01-2
 2
 10M

L02-2
 2
 14W

LPGD

SPEAKER-SUBWOOFER
 124884-01-000
 GRILLE
 151844-01-CHT
 SCREW
 611-08-12U (4)
 1JM

WIRE ASM-HEATER, TANK
 ROUTED THRU FLOOR AT
 THIS POINT

WIRE ASM-HEATER, TANK
 TO RIGHT SIDE

WIRE ASM-COACH
 TO RIGHT SIDE

2 USE ONE OF THE SPEAKERS PROVIDED IN THE KIT.
 SEND THE SCREWS IN THE KIT TO THE SURPLUS STORE.

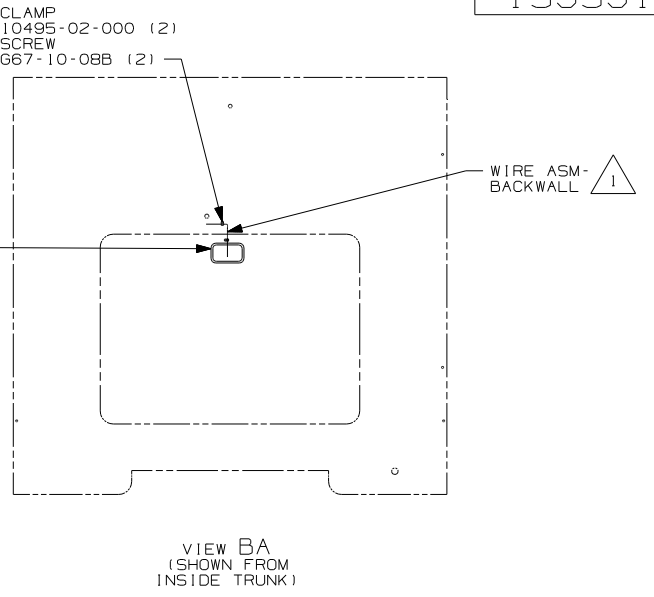
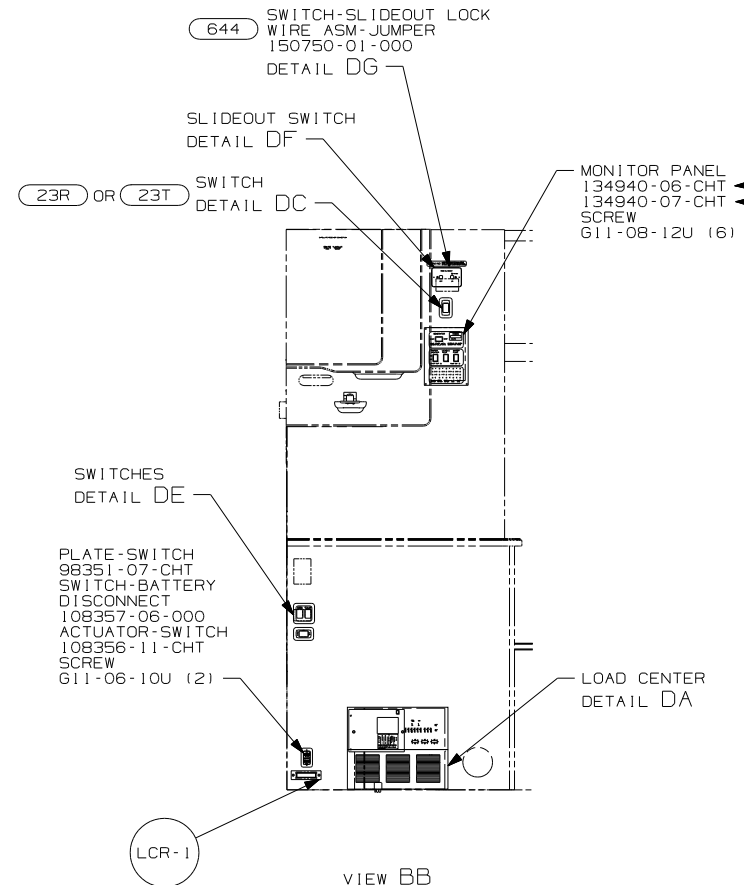
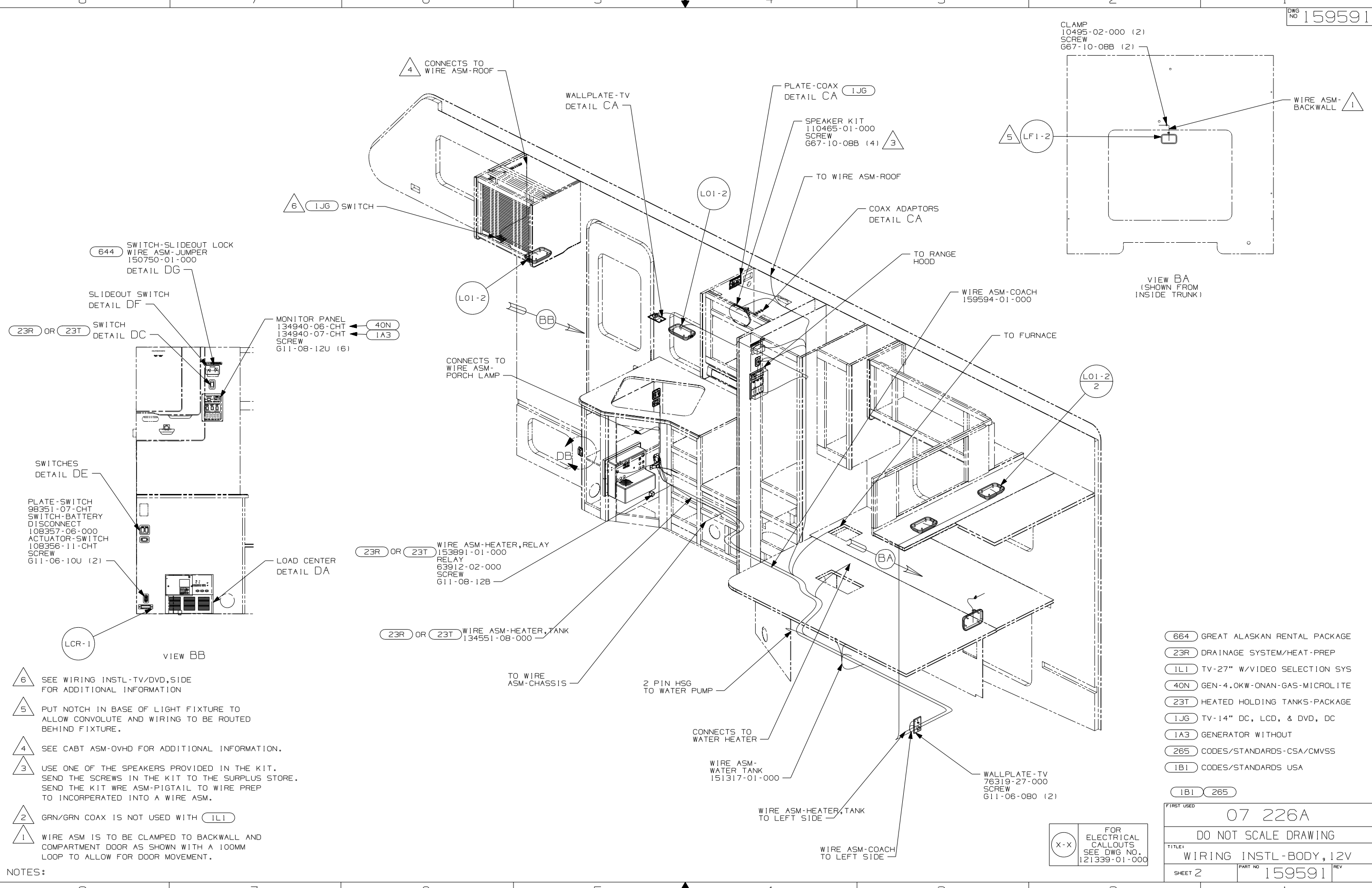
1. ROUTE TANK SENSOR WIRES SO THEY DO NOT PASSOVER
 SENSORS. USE WIRE TIE MOUNT 155366-01-000 AND
 WIRE TIE 8343-01-000 AS NEEDED. TANK SURFACE MUST
 BE CLEANED USING ISOPROPYL ALCOHOL AND PRIME WITH
 PRIMER 94.

NOTES:

X-X FOR ELECTRICAL CALLOUTS SEE DWG NO. 121339-01-000

- 644 GREAT ALASKAN RENTAL PACKAGE
- 23T DRAINAGE SYSTEM-HEATED
- 14W DINETTE
- 10M COUCH RH
- 1JM HOME THEATER SOUND SYSTEM
- 265 CODES/STANDARDS-CSA/CMVSS
- 1B1 CODES/STANDARDS USA
- 1B1 265

WINNEBAGO		COPYRIGHT 2006 WINNEBAGO INDUSTRIES, INC.	
DFT	ORIG. DATE		
CHKR	ALL DIMENSIONS ARE IN MILLIMETERS		
P.E.	FIRST USED	07 226A	
M.E.			
DSNR			
UNSPECIFIED TOLERANCES ARE:		MATERIAL:	
WHOLE DIM (X)	: 3		
ONE-PLACE (X.X)	: 1.5		
TWO-PLACE (X.XX)	: 0.50		
ANGLE	: 1°		
THIRD ANGLE PROJECTION			
DO NOT SCALE DRAWING			
TITLE: WIRING INSTL-BODY, 12V			
SHEET 1 OF 5	PART NO	159591	REV
REF:	1 11/28/2006		

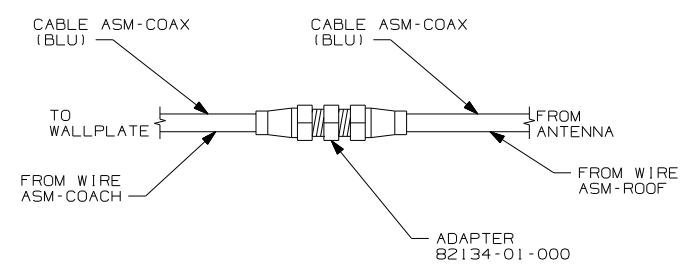
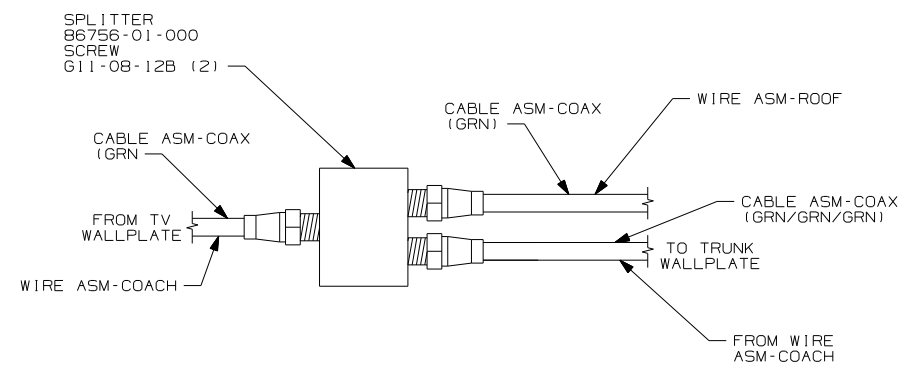
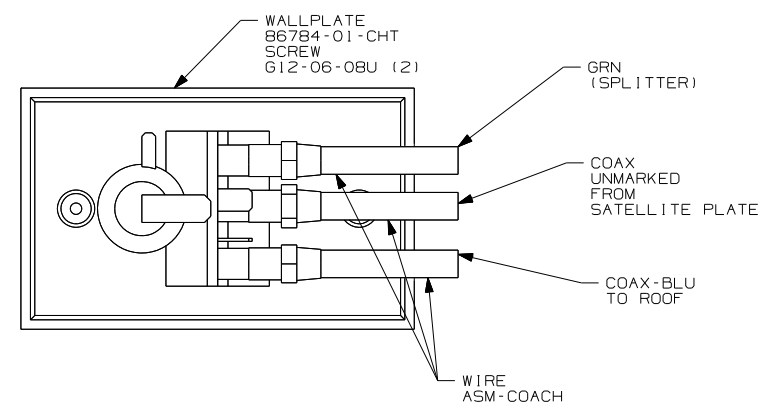
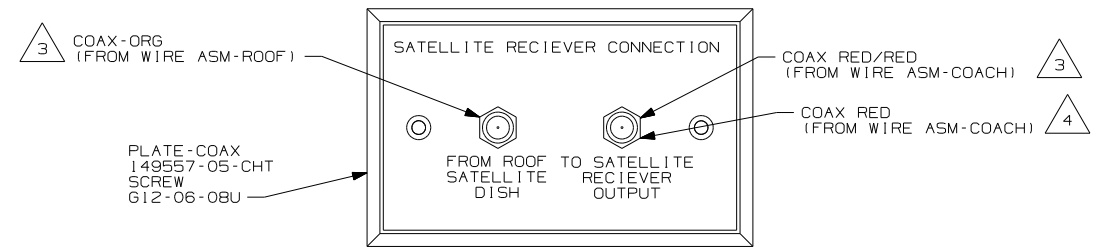


- NOTES:
- 6 SEE WIRING INSTL-TV/DVD, SIDE FOR ADDITIONAL INFORMATION
 - 5 PUT NOTCH IN BASE OF LIGHT FIXTURE TO ALLOW CONVOLUTE AND WIRING TO BE ROUTED BEHIND FIXTURE.
 - 4 SEE CABT ASM-OVHD FOR ADDITIONAL INFORMATION.
 - 3 USE ONE OF THE SPEAKERS PROVIDED IN THE KIT. SEND THE SCREWS IN THE KIT TO THE SURPLUS STORE. SEND THE KIT WRE ASM-PIGTAIL TO WIRE PREP TO INCORPORATED INTO A WIRE ASM.
 - 2 GRN/GRN COAX IS NOT USED WITH (IL1)
 - 1 WIRE ASM IS TO BE CLAMPED TO BACKWALL AND COMPARTMENT DOOR AS SHOWN WITH A 100MM LOOP TO ALLOW FOR DOOR MOVEMENT.

- (664) GREAT ALASKAN RENTAL PACKAGE
- (23R) DRAINAGE SYSTEM/HEAT-PREP
- (IL1) TV-27" W/VIDEO SELECTION SYS
- (40N) GEN-4.0KW-ONAN-GAS-MICROLITE
- (23T) HEATED HOLDING TANKS-PACKAGE
- (1JG) TV-14" DC, LCD, & DVD, DC
- (1A3) GENERATOR WITHOUT
- (265) CODES/STANDARDS-CSA/CMVSS
- (1B1) CODES/STANDARDS USA

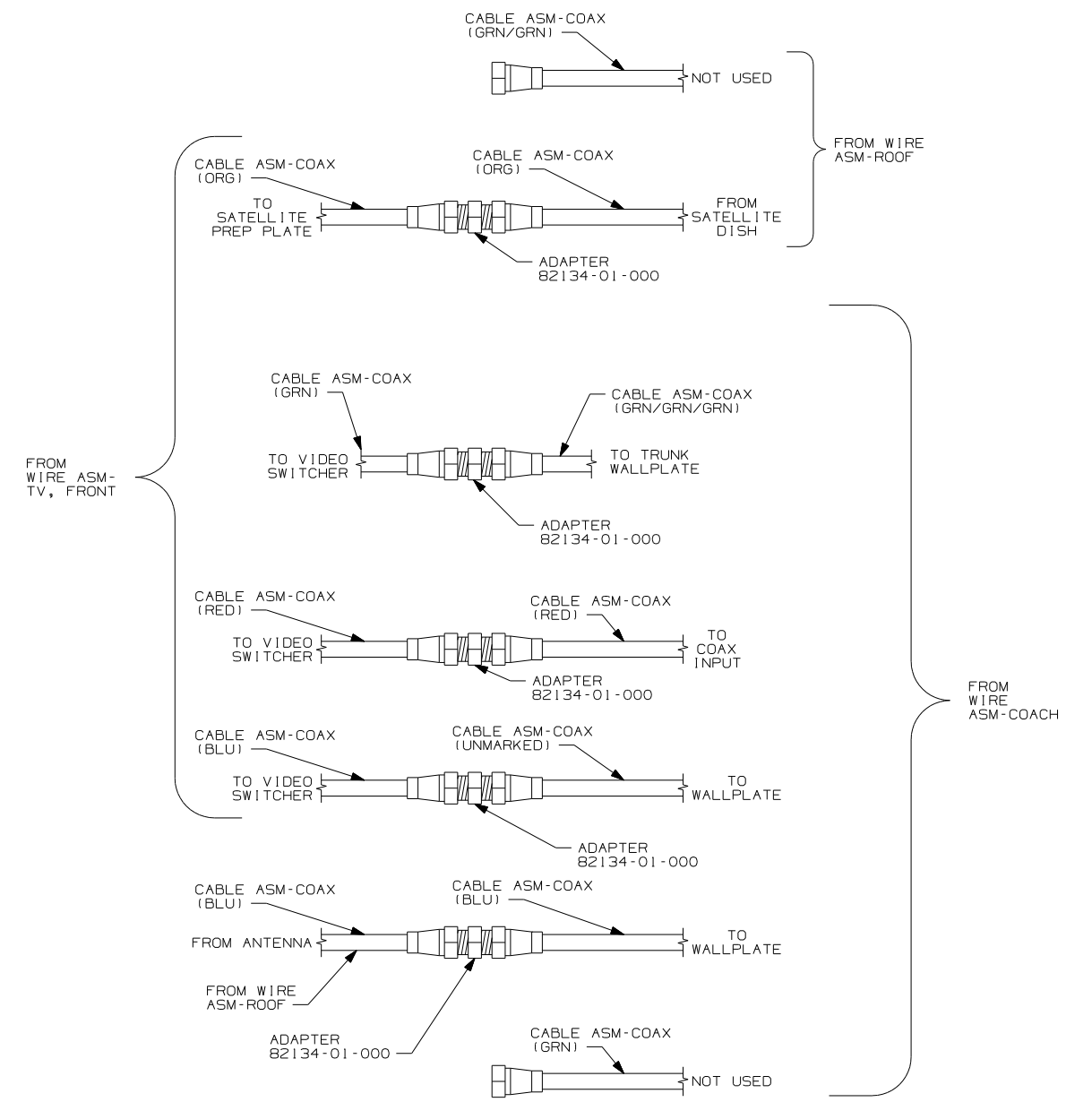
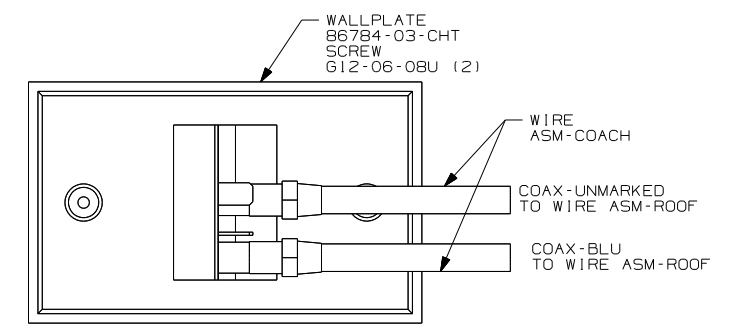
FIRST USED	07 226A	
TITLE:	DO NOT SCALE DRAWING	
	WIRING INSTL-BODY, 12V	
SHEET 2	PART NO	159591
	REV	

(X-X) FOR ELECTRICAL CALLOUTS SEE DWG NO. 121339-01-000



DETAIL CA 2 1JG

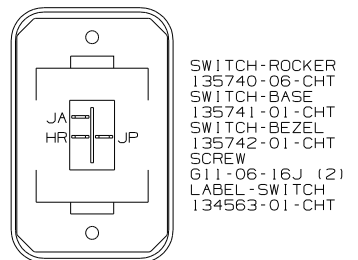
- NOTES:
- 4 CONNECT COAX TO FRONT SIDE OF WALLPLATE.
 - 3 CONNECT COAX TO BACKSIDE OF WALLPLATE.
 - 2 WITHOUT 1LI
 - 1 WITH FRONT ENTERTAINMENT CENTER, SEE WIRING INSTL-TV/VCR, FRONT FOR ADDITIONAL INFORMATION.



DETAIL CA 1 1LI

- 1JG TV-14" DC, LCD, & DVD, DC
- 1LI TV-27" W/VIDEO SELECTION SYS
- 265 CODES/STANDARDS-CSA/CMVSS
- 1BI CODES/STANDARDS USA

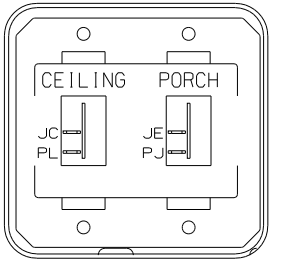
FIRST USED		07 226A	
DO NOT SCALE DRAWING			
TITLE: WIRING INSTL-BODY, 12V			
SHEET 3	PART NO	159591	REV



SWITCH-ROCKER
135740-06-CHT
SWITCH-BASE
135741-01-CHT
SWITCH-BEZEL
135742-01-CHT
SCREW
G11-06-16J (2)
LABEL-SWITCH
134563-01-CHT

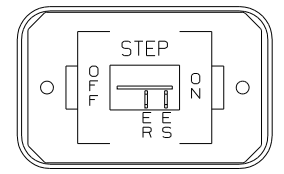
HOLDING TANK HEATER
TURN OFF When Not In Use
SEE OPERATORS MANUAL

DETAIL DC (23T) OR (23R)



SWITCH-ROCKER
135740-01-CHT (2)
SWITCH-BASE
135741-02-CHT
SWITCH-BEZEL
135742-19-CHT
SCREW
G11-08-08U (4)

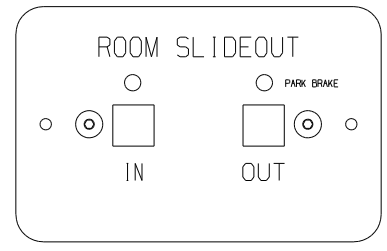
DETAIL DE



SWITCH-ROCKER
135740-01-CHT
SWITCH-BASE
135741-01-CHT
SWITCH-BEZEL
135742-11-CHT
SCREW
G11-08-08U (2)

(1E2)

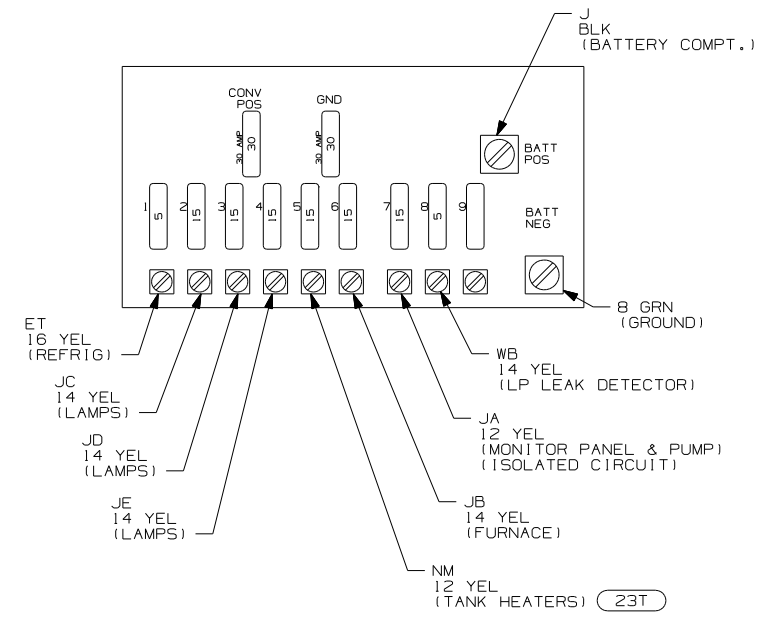
DETAIL DE



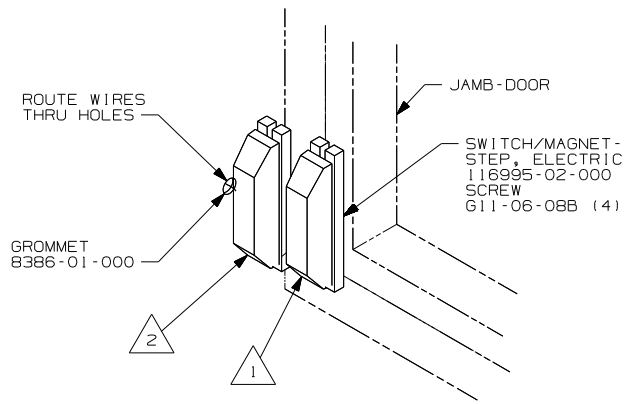
SWITCH ASM-SLIDEOUT
140464-02-000
LABEL-WARNING
116549-01-000

WARNING UNDERSTAND OPERATOR'S MANUAL BEFORE USING
KEEP PEOPLE AND OBSTRUCTIONS CLEAR OF
SLIDEOUT ROOM WHEN OPERATING TO AVOID
INJURY AND/OR PROPERTY DAMAGE

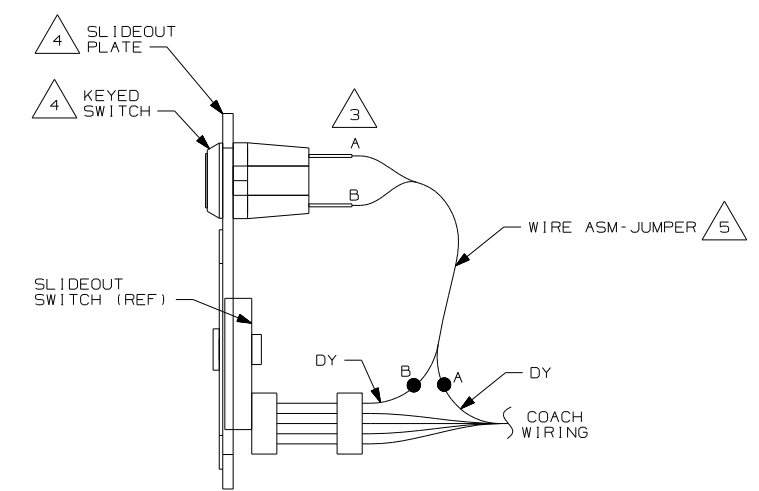
DETAIL DF



DETAIL DA



DETAIL DB



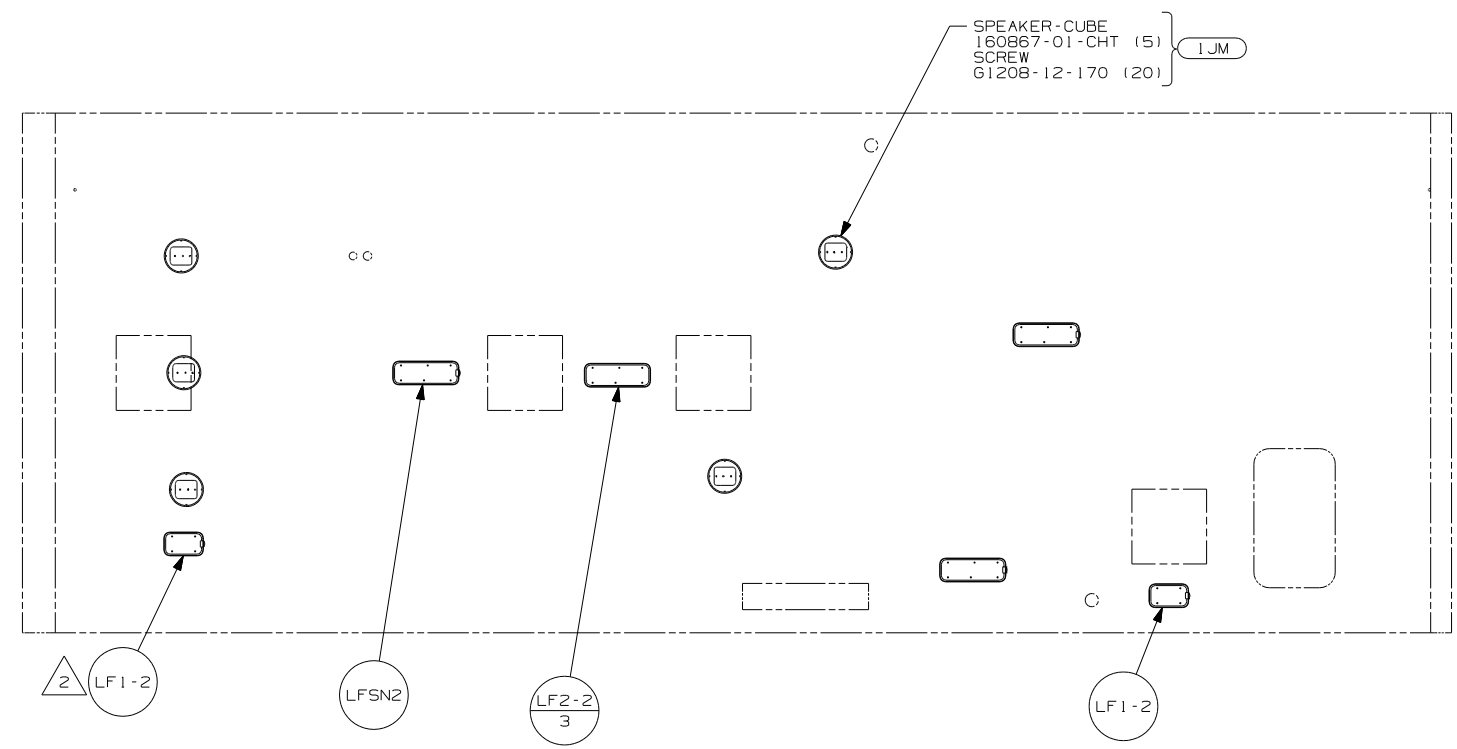
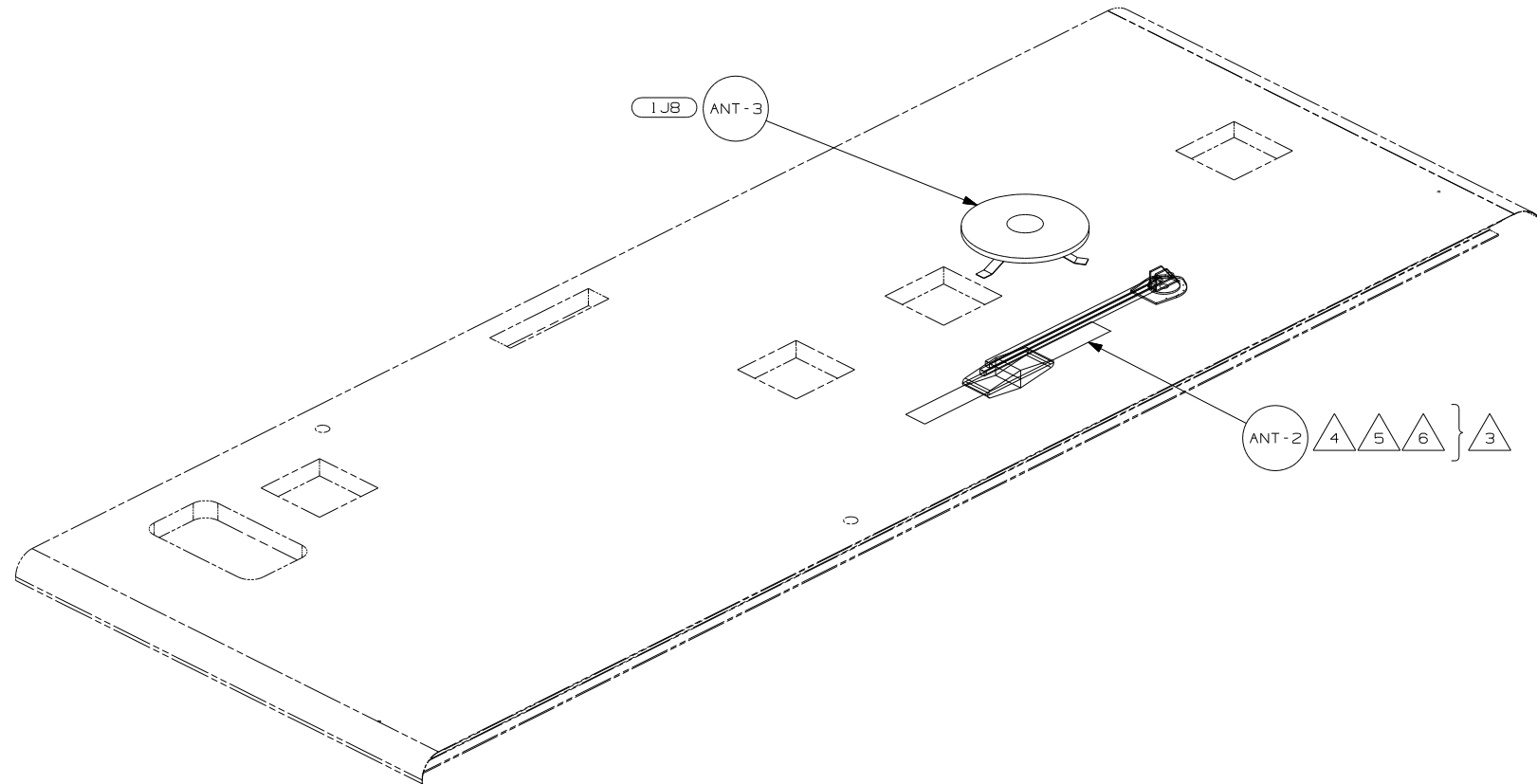
DETAIL DG (644)

- NOTES:
- 5 CUT CIRCUIT DYGOING TO SLIDEOUT SWITCH HOUSING AND RECONNECT AS SHOWN.
 - 4 SUPPLIED BY GREAT ALASKAN RENTAL COMPANY
 - 3 REMOVE TERMINALS (SUPPLIED WITH KEY SWITCH)CRIMP ON TO WIRE ASM-JUMPER, RECONNECT TO KEY SWITCH
 - 2 MOUNT SWITCH AND SPACER TO BLOCK ON JAMB. ADJUST HEIGHT TO MATCH MAGNET.
 - 1 MOUNT MAGNET USING PILOT HOLES IN SCREEN DOOR FRAME. MOUNT WITH MAGNET TOWARD SWITCH.

- (644) GREAT ALASKAN RENTAL PACKAGE
- (23R) DRAINAGE SYSTEM/HEAT-PREWIRE
- (1L1) TV-27" W/VIDEO SELECTION SYS
- (23T) DRAINAGE SYSTEM-HEATED
- (1JR) TV-13" W/DVD-12V
- (1E2) ENTRANCE STEP-ELEC.
- (265) CODES/STANDARDS-CSA/CMVSS
- (1B1) CODES/STANDARDS USA

(X-X) FOR ELECTRICAL CALLOUTS SEE DWG NO. 121339-01-000

FIRST USED	07 226A
TITLE	DO NOT SCALE DRAWING
	WIRING INSTL-BODY, 12V
SHEET 4	PART NO 159591 REV



- △ 6 LOCATE CLIP TO RETAIN CABLE BUT NOT TO RESTRICT ANTENNA
- △ 5 SEE DRAWING 76319-01-000 FOR INSTALLATION OF TV ANTENNA.
- △ 4 ADD BUMPERS TO ROOF UNDER EACH END OF ANTENNA IN DOWN POSITION
- △ 3 NOT USED WITH IJB
- △ 2 NOT USED WITH IL1

NOTES:
1. SEE ROOF ASM FOR ADDITIONAL INFORMATION.

- IJB TV ANTENNA-OMNIDIRECTIONAL
- IL1 TV-27" W/VIDEO SELECTION SYS
- IJM HOME THEATER SOUND SYSTEM
- 265 CODES/STANDARDS-CSA/CMVSS
- IB1 CODES/STANDARDS USA

FIRST USED	07 226A	
TITLE	DO NOT SCALE DRAWING	
SHEET 5	PART NO	159591
	REV	

X-X FOR ELECTRICAL CALLOUTS SEE DWG NO. 121339-01-000