

- 10. SEE WIRING INSTL-BODY, 12V FOR ELECTRICAL CONNECTION.
- 9. VENT PIPE MUST PROJECT 51 MM MIN AND 64 MM MAX ABOVE ROOF FOR PROPER FIT AND FUNCTION.
- 8. SEE DRAWING 61607-01-000 FOR INSTL OF GROMMETS.
- 7. SEAL ALL AROUND SHOWER WITH SILICONE.
- 6. SECURE VENT TUBES TO FLOOR WITH CLAMP 62401-02-000 (3) AND SCREW G67-10-12B (3).
- 5. SECURE PIPES TO CABINET USING WIRE TIE 108046-02-000 AND SCREW G67-10-12B (8).
- 4. ALL EXTERIOR OPENINGS AROUND PIPE TO BE SEALED WITH 110744-01-000.
- 3. ALL PIPE AND FITTINGS TO BE ASSEMBLED WITH SOLVENT 4020-01-000 (US) 4020-02-000 (CAN).
- 2. SLOPE OF TRAP ARM MUST BE 6 PER 305.
- 1. SLOPE OF HORIZONTAL PIPING TO BE 6 PER 305 MIN.

- (23T) DRAINAGE SYSTEM- HEATED
- (1B1) CODES/STANDARDS-USA
- (265) CODES/STDS-CSA/CMVSS
- (464) TOILET

WINNEBAGO		COPYRIGHT 2007 WINNEBAGO INDUSTRIES, INC.	
DFTR	ORIG. DATE	ALL DIMENSIONS ARE IN MILLIMETERS	
CHKR		FIRST USED	
P.E.		07 226A	
M.E.		UNSPECIFIED TOLERANCES ARE:	
DSNR		MATERIAL:	
		WHOLE DIM (X)	: 3
		ONE-PLACE (X.X)	: 1.5
		TWO-PLACE (X.XX)	: 0.50
		ANGLE	: 1°
THIRD ANGLE PROJECTION			
DO NOT SCALE DRAWING			
TITLE: DRAINAGE SYSTEM INSTL			
SHEET 1 OF 3	PART NO	159661	REV
REF1	1 3/2/2007		

(X-X)
FOR
DRAINAGE
CALLOUTS
SEE DWG NO.
116229-01-000

SINK-DBL
 148870-01-CHT
 STRAINER
 92303-01-000 (2)
 SEAL
 91255-02-000 (A/R)
 BRACKET
 140002-01-CHT (8)
 SCREW
 G67-10-08B (8)

RETAINER
 113714-02-CHT
 SCREW
 G11-08-12U
 G39-08-12U
 COVER
 78500-01-CHT (2)

SHOWER PAN
 101435-04-CHT
 SCREW
 G11-08-12U (10)
 G39-08-12U (6)
 COVER
 78500-01-CHT (16)

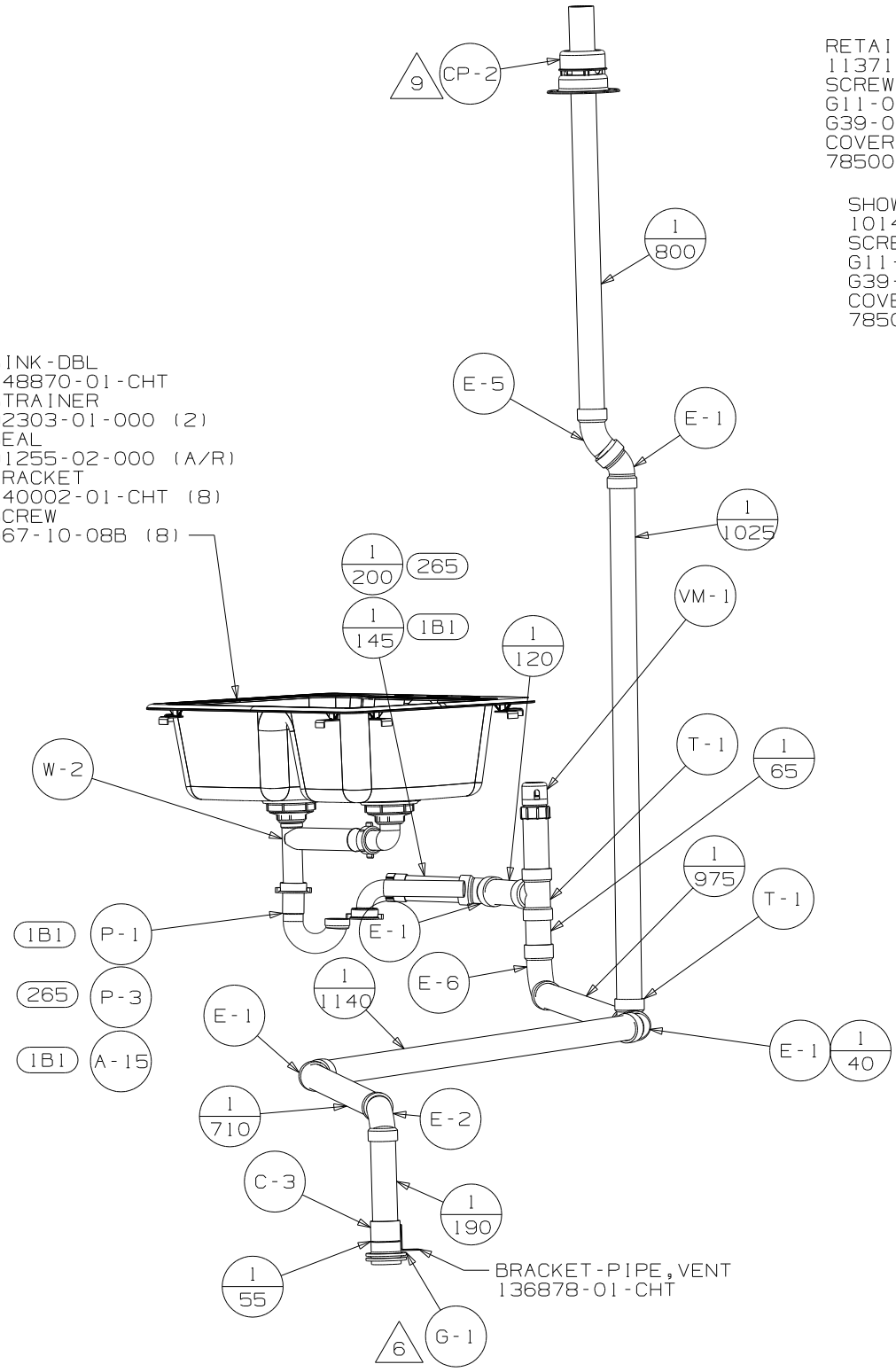
CADDY-SHOWER
 105707-01-CHT
 PANEL
 102028-03-000
 TAPE
 76322-05-000
 SCREW
 G11-08-12U (8)
 G39-08-12U (8)
 COVER
 78500-01-CHT (16)

VIEW E

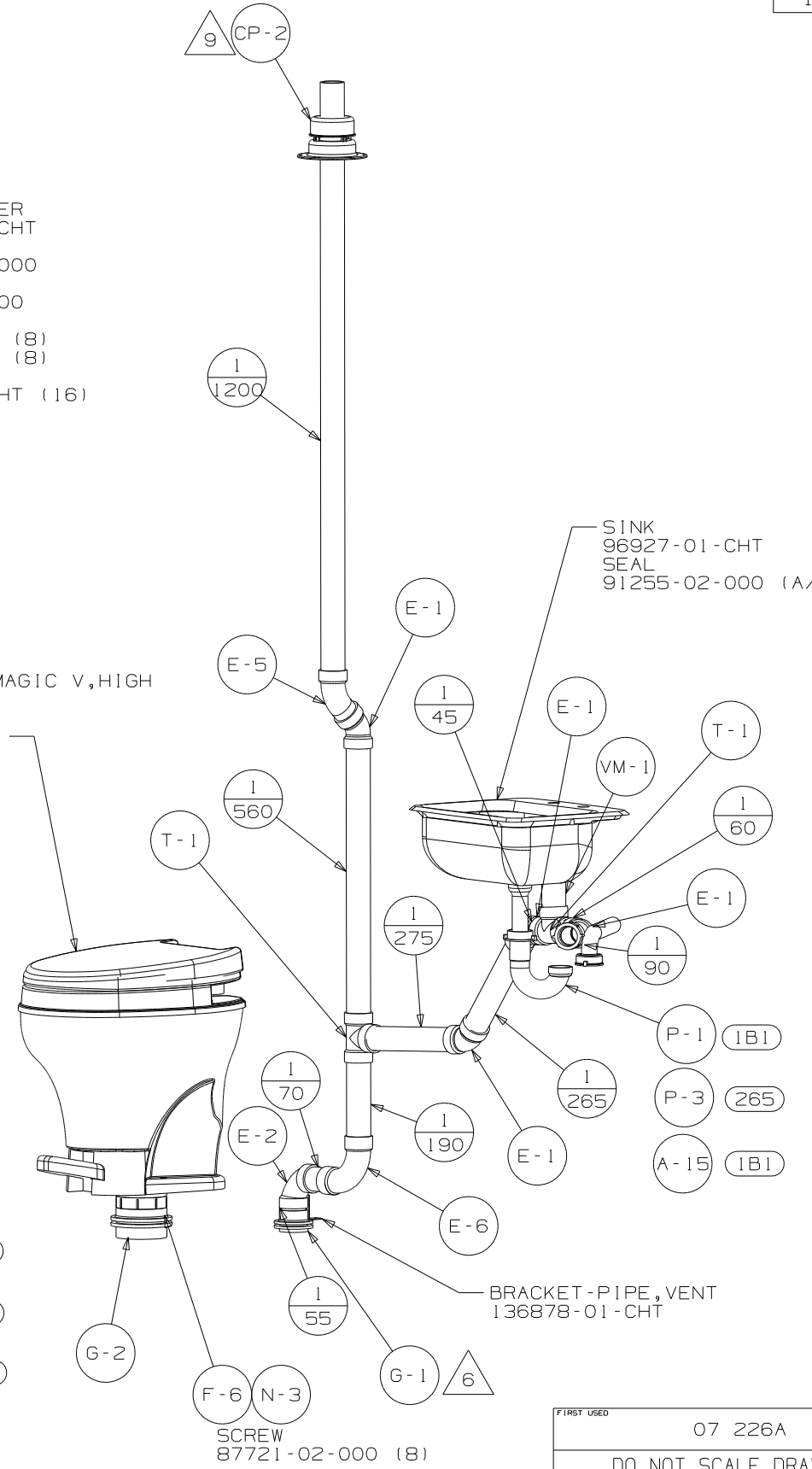
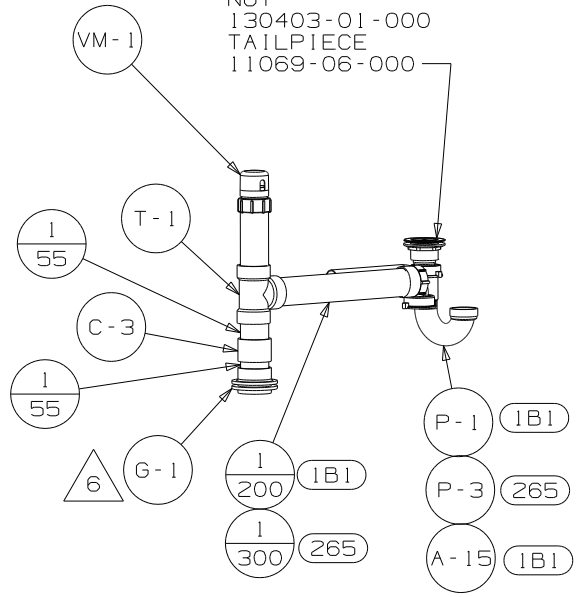
464 TOILET- AQUA MAGIC V,HIGH
 147421-04-CHT
 SCREW
 G39-10-32B (8)

STRAINER
 66440-01-000
 SEALER
 69640-01-000
 WASHER
 127440-02-CHT
 NUT
 130403-01-000
 TAILPIECE
 11069-06-000

SINK
 96927-01-CHT
 SEAL
 91255-02-000 (A/R)

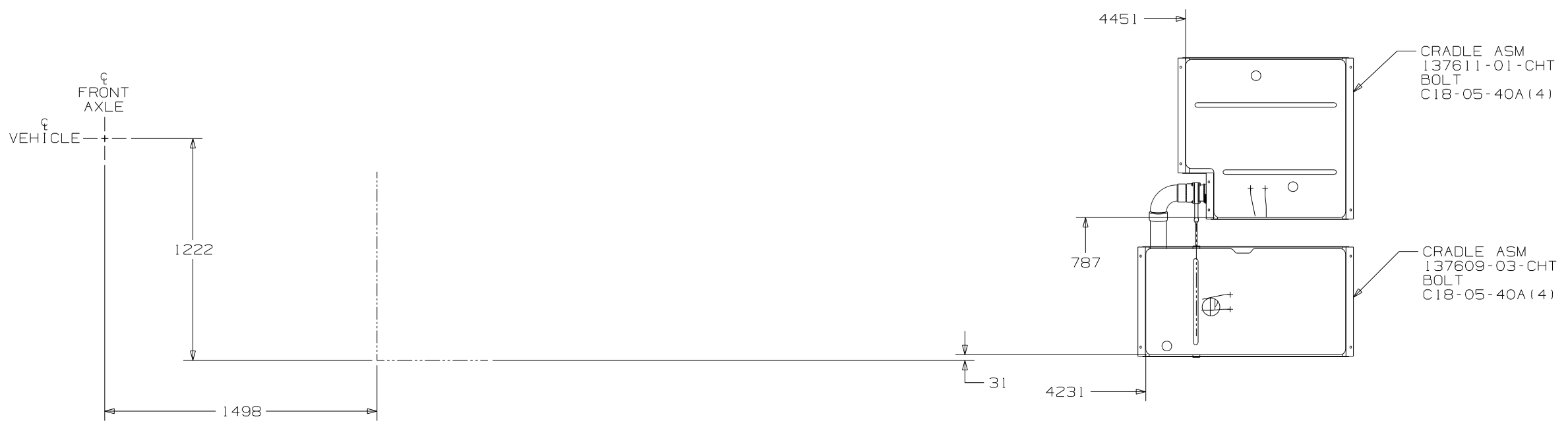


VIEW A

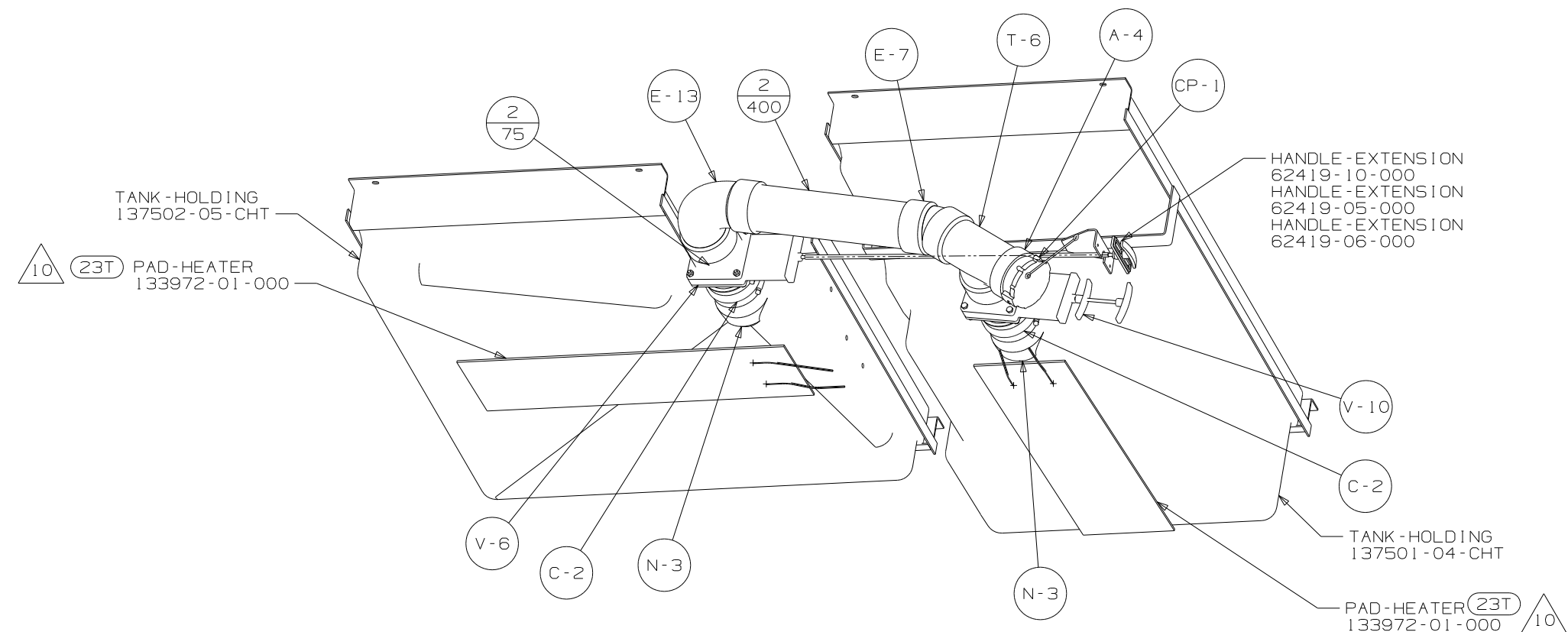


VIEW B

FIRST USED	07 226A	
TITLE	DO NOT SCALE DRAWING	
	DRAINAGE SYSTEM INSTL	
SHEET 2	PART NO	159661
	REV	

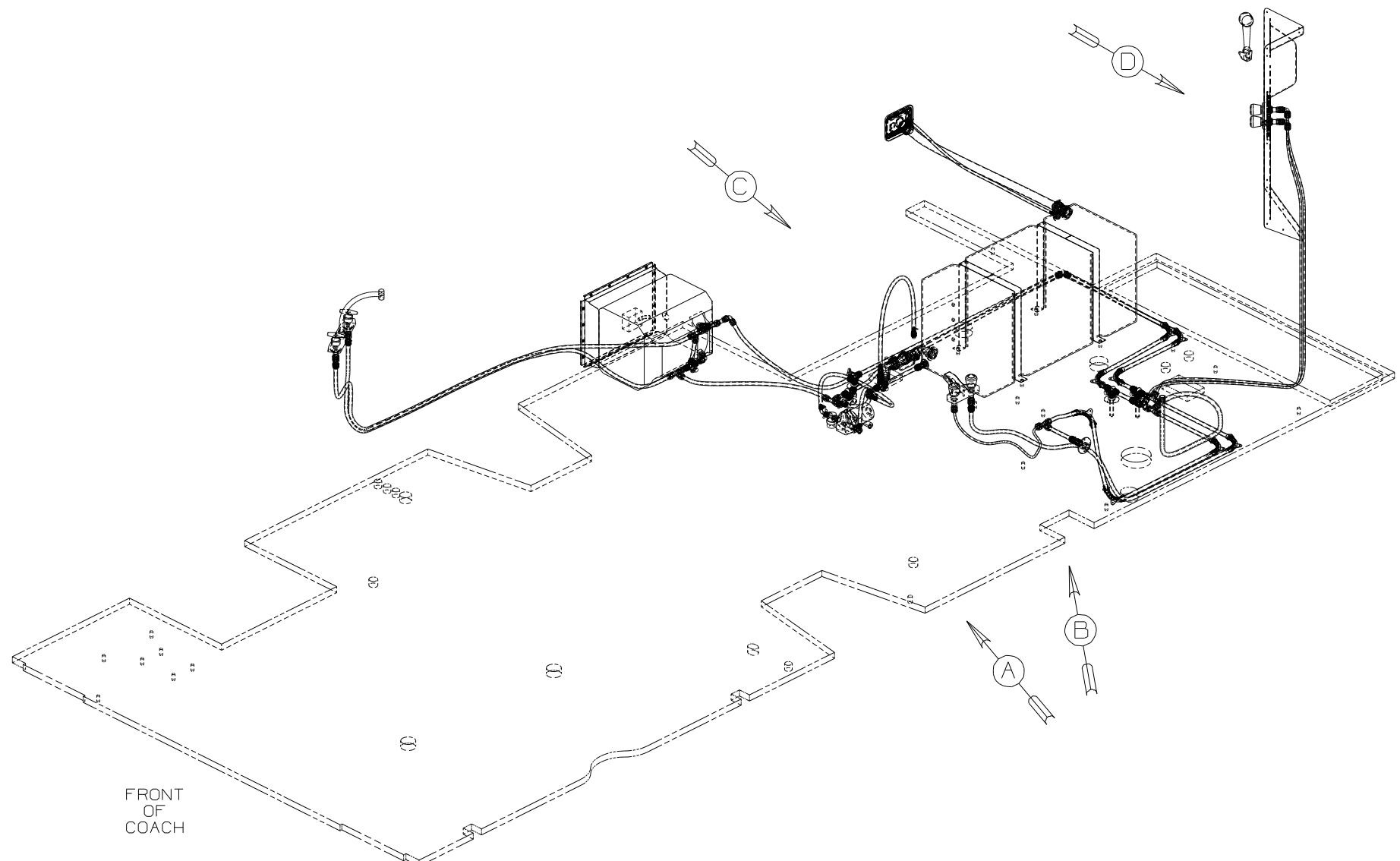


VIEW C



VIEW D

FIRST USED	07 226A	
TITLE	DO NOT SCALE DRAWING	
SHEET 3	PART NO	REV
	159661	
1 3/2/2007		



FRONT OF COACH

- NOTES:
- 1. PLASTIC FITTINGS TO BE SEALED WITH SEALANT 84456-01-000.
 - 2. TUBING TO BE INSTALLED WITH SUFFICIENT SLOPE TO PROVIDE DRAINAGE TO NEAREST VALVE.
 - 3. ALL TUBING TO BE SECURED AT 1200 INTERVALS MAXIMUM WITH CLAMP 10495-01-000 AND SCREW G67-10-12B OR EQUIVALENT.
 - 4. ADD TEFLON TAPE 10405-01-000.
 - 5. ADD TEFLON TAPE 10405-02-000.
 - 6. ADD TEFLON TAPE 10405-03-000.
 - 7. ATTACH WASHER-PLASTIC 87080-13-CHT WITH TAPE-DOUBLE 123816-03-000 ON BOTTOM SIDE OF FLOOR.
 - 8. TAPE FITTING TO TUBE BEFORE CABINET SET TO PREVENT FITTING FROM MOVING.
 - 9. LABEL HOT AND COLD SUPPLY TUBES.
 - 10. ADD PIPE WRAP (LADDER SCRAP) INSULATION HERE.

- 53E WATER SYS WINTERIZATION PKG
- 53F WATER HEATER-ELEC IGNITION

WINNEBAGO		COPYRIGHT 2007 WINNEBAGO INDUSTRIES, INC.	
DFT	ORIG. DATE	ALL DIMENSIONS ARE IN MILLIMETERS	
CHKR		FIRST USED	
P.E.		07 226A	
M.E.		UNSPECIFIED TOLERANCES ARE:	
DSNR		MATERIAL:	
		WHOLE DIM (X)	: 3
		ONE-PLACE (X.X)	: 1.5
		TWO-PLACE (X.XX)	: 0.50
		ANGLE	: 1°
THIRD ANGLE PROJECTION		DO NOT SCALE DRAWING	
TITLE: WATER SYSTEM INSTL			
SHEET 1 OF 1	PART NO	159662	REV

FOR WATER CALLOUTS SEE DWG NO 116230-01-000



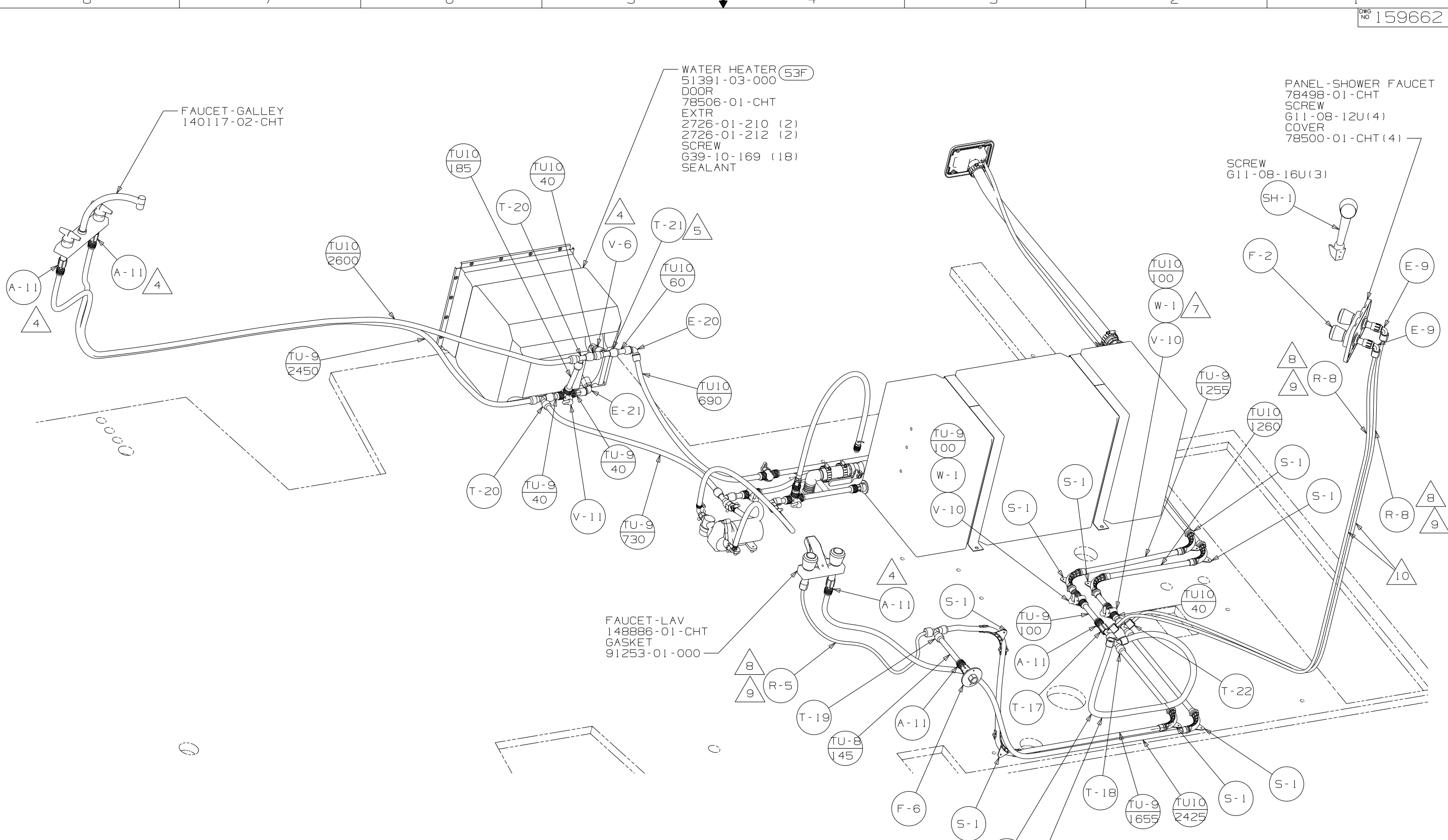
FAUCET-GALLEY
140117-02-CHT

WATER HEATER
51391-03-000 (53F)
DOOR
78506-01-CHT
EXTR
2726-01-210 (2)
2726-01-212 (2)
SCREW
G39-10-169 (18)
SEALANT

PANEL-SHOWER FAUCET
78498-01-CHT
SCREW
G11-08-12U(4)
COVER
78500-01-CHT(4)

FAUCET-LAV
148886-01-CHT
GASKET
91253-01-000

SCREW
G11-08-16U(3)

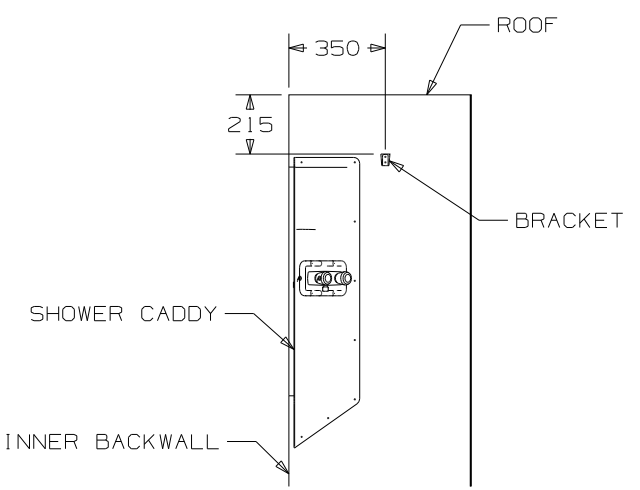
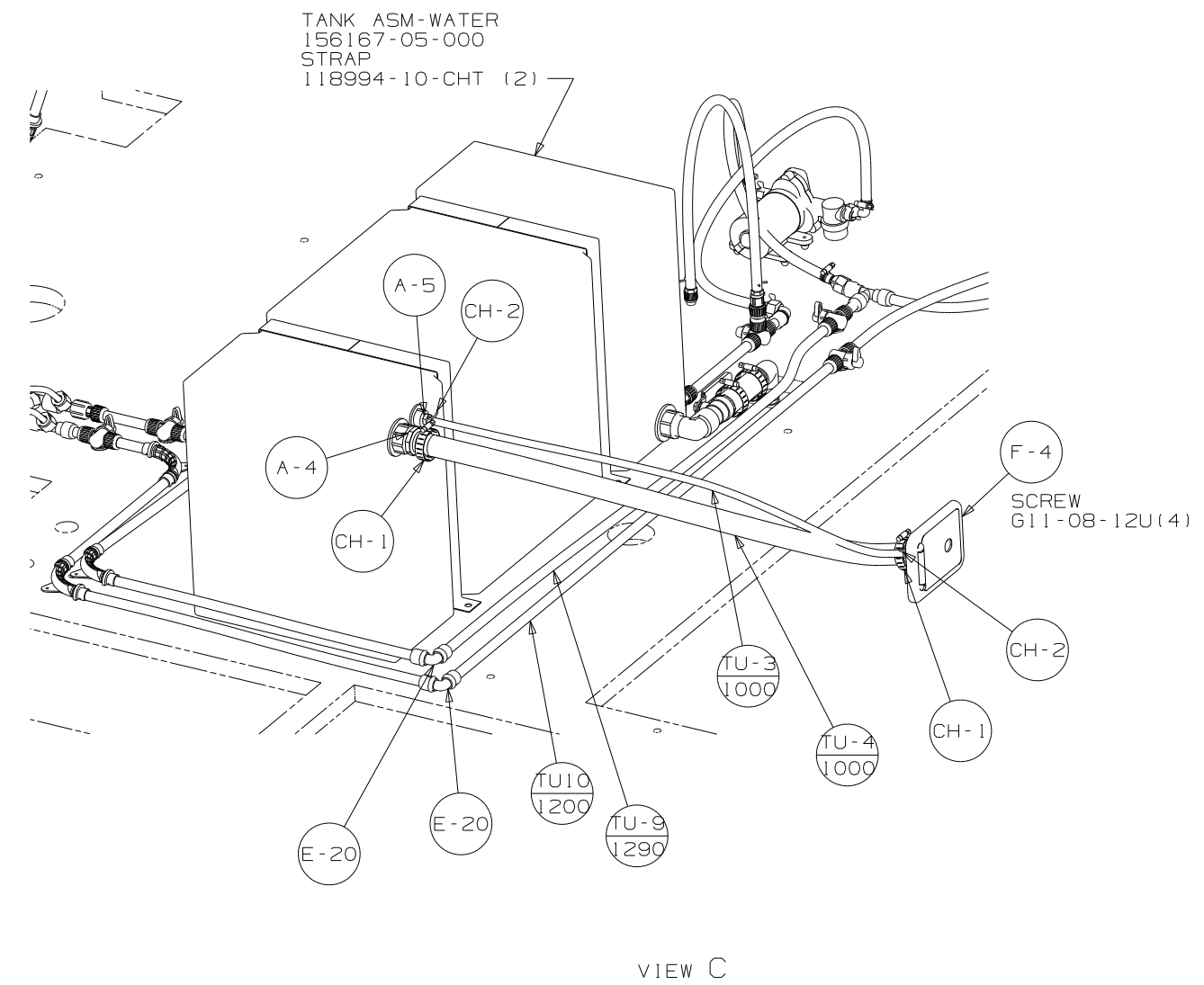
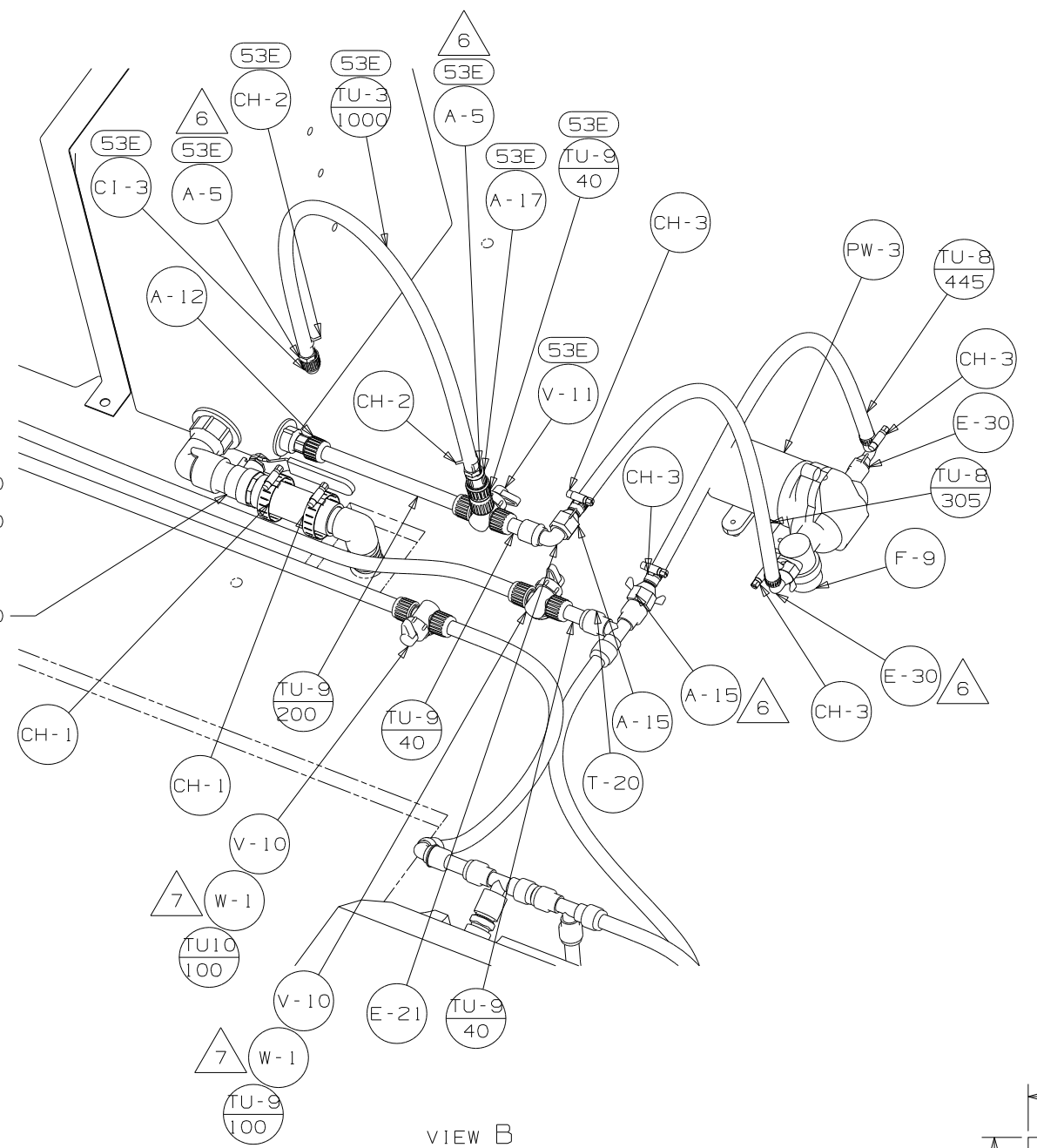


VIEW A

TO TOILET

FIRST USED	07 226A		
TITLE:	DO NOT SCALE DRAWING		
	WATER SYSTEM INSTL		
SHEET 2	PART NO	159662	REV

VALVE
132483-01-000
ELBOW
132484-01-000
TUBE
74462-01-000
(100)
ELBOW
132781-01-000



FIRST USED	07 226A	
TITLE	DO NOT SCALE DRAWING	
	WATER SYSTEM INSTL	
SHEET 3	PART NO	159662
	REV	