



**DANGER**

**Danger of electrical shock, burns or death.** Always remove all power sources before attempting any repair, service or diagnostic work. Power can be present from shore power, generator, inverter or battery. All power sources must be disabled and secured before performing any service.



**CAUTION**

If you lack the skills, tools or equipment to perform diagnostic or repair work leave such work to an authorized Winnebago Industries dealer or other qualified shop.

8

7

6

5

4

3

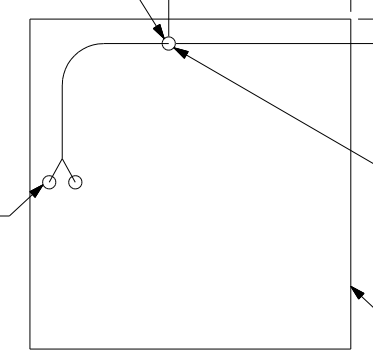
2

1

CONNECT BOTH RED WIRES TO YELLOW & BLACK WIRE TO WHITE ON CO DETECTOR

CONNECT BOTH RED WIRES TO YELLOW & BLACK WIRE TO WHITE ON CO DETECTOR

FIND CIRCUITS JC & NC IN BEDROOM OVHD CABT. CUT WIRES AND CONNECT JC TO YELLOW WIRE SPLICES AND NC TO WHITE WIRE SPLICES.



DETAIL AA 644

DRILL 19MM HOLE IN WALL FOR WIRE ROUTING

CONNECT TO WIRE ASM-COACH IN BEDROOM OVHD CABINET.

BATH WALL

IJG PLATE-COAX, PREP DETAIL CC

ILI COAX ADAPTORS DETAIL CE

THERMOSTAT 115764-01-CHT

TO REFRIGERATOR

TO ROOF

644 DETECTOR-CO GAS 146126-01-CHT  
SCREW 61208-12-170 (2)  
CONNECTOR 58028-01-000 (2)  
DETAIL AA

644 WIRE ASM-EXTENSION 149130-01-021

4 SPEAKER 110465-01-000  
SCREW 611-08-08U (4)

WALLPLATE-TV DETAIL CD

TO OVHD LAMPS

23R OR 23T WIRE ASM-HEATER, TANK 134551-09-000

COAX-INPUT (RED)  
PLATE-COAX 139335-01-000  
ADAPTOR 82134-01-000  
NUT 82136-01-000  
LABEL-INPUT 87236-01-000  
SCREW 611-08-12U (2)

LPGD  
SPEAKER-SUBWOOFER 124884-01-000  
GRILLE 151844-01-CHT  
SCREW 76790-01-000 (4)  
IJM

LOAD CENTER DETAIL CA

WIRE ASM-HEATER, RELAY 153891-01-000  
RELAY 63912-02-000  
SCREW 611-08-12B  
23T OR 23R

TO TANK HEATER PAD 23T OR 23R 3

WIRE ASM-COACH 158845-01-000

TO RIGHT SIDE

WIRE ASM-AUX HOLDING 151316-03-000 IMC

WIRE ASM-MAIN HOLDING 151317-03-000

4 USE ONE OF THE SPEAKERS PROVIDED IN THE KIT. SEND THE SCREWS IN THE KIT TO THE SURPLUS STORE. SEND THE KIT WIRE ASM-PIGTAIL TO WIRE PREP TO BE INCORPORATED INTO A WIRE LOOM.

3 SEE DRAINAGE SYSTEM INSTL FOR ADDITIONAL INFORMATION.

2 WIRE IS ROUTED ALONG DRAINAGE PIPE & CONNECTED TO PIPE WITH TIE-WIRE 8343-04-000.

1. ROUTE TANK SENSOR WIRES SO THEY DO NOT PASSOVER SENSORS. USE WIRE TIE MOUNT 155366-01-000 AND WIRE TIE 8343-01-000 AS NEEDED. TANK SURFACE MUST BE CLEANED USING ISOPROPYL ALCOHOL AND PRIME WITH PRIMER 94.

NOTES:

- 644 GREAT ALASKAN RENTAL PACKAGE
- 23R DRAINAGE SYSTEM/HEAT-PREP
- IMC CUSTOM FLOORPLAN - WITHOUT
- 23T DRAINAGE SYSTEM-HEATED
- ILI TV-27" W/VIDEO SELECTION SYS
- IJG TV-14" DC, LCD, & DVD, DC
- IJM HOME THEATER SOUND SYSTEM
- 265 CODES/STANDARDS-CSA/CMVSS
- IB1 CODES/STANDARDS USA

1B1 265

**WINNEBAGO** COPYRIGHT 2006 WINNEBAGO INDUSTRIES, INC.

D/FTR	ORIG. DATE
CHKR	ALL DIMENSIONS ARE IN MILLIMETERS
P.E.	
M.E.	FIRST USED
DSNR	07 224V

UNSPECIFIED TOLERANCES ARE: MATERIAL:

WHOLE DIM (X)	: 3
ONE-PLACE (X.X)	: 1.5
TWO-PLACE (X.XX)	: 0.50
ANGLE	: 1°

THIRD ANGLE PROJECTION

DO NOT SCALE DRAWING

TITLE: WIRING INSTL-BODY, 12V

SHEET 1 OF 4 PART NO 158840 REV

REF: 1 11/28/2006

FOR ELECTRICAL TORQUE SPECIFICATIONS SEE DWG NO. 128783-01-000



FOR ELECTRICAL CALLOUTS SEE DWG NO. 121339-01-000

8

7

6

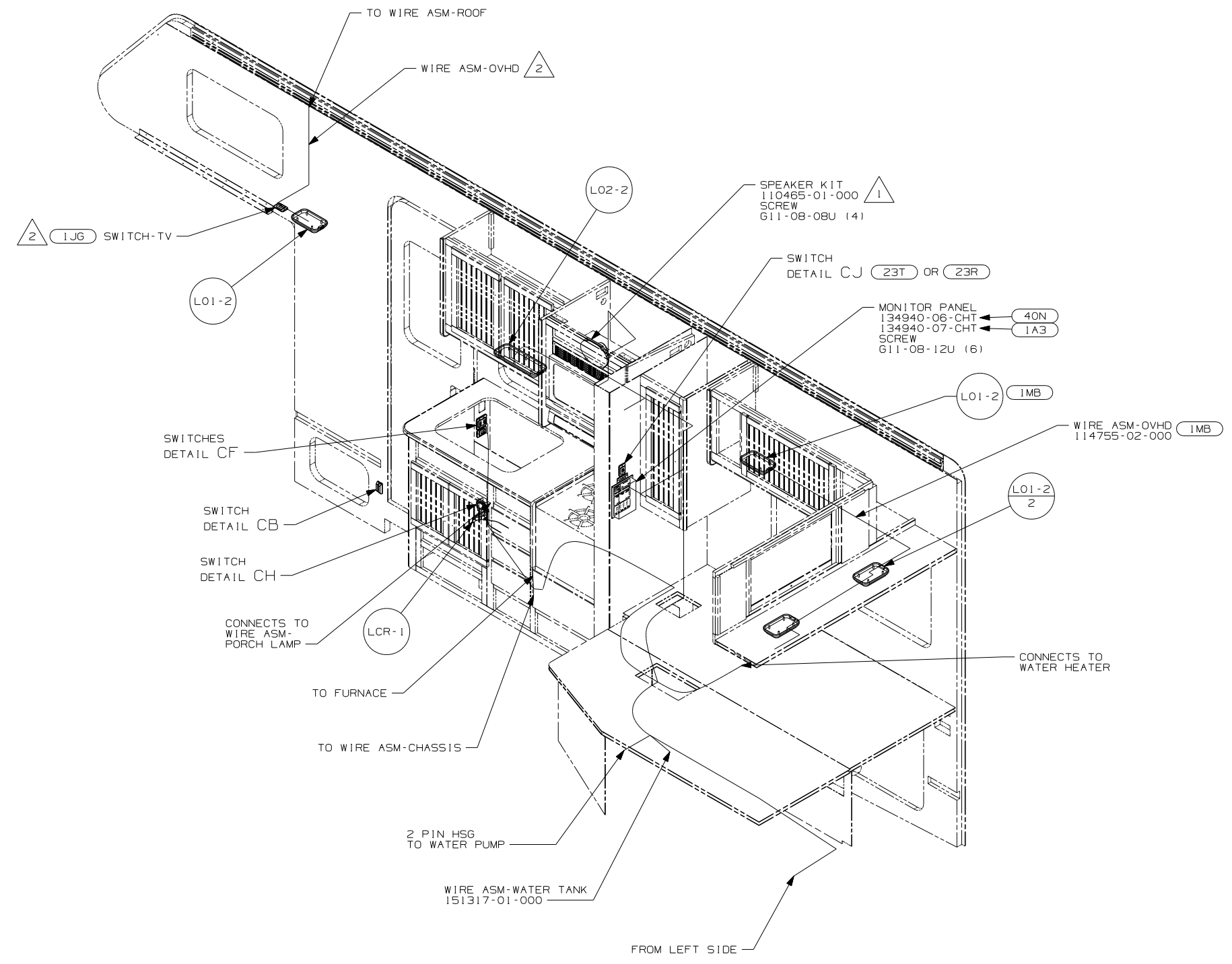
5

4

3

2

1



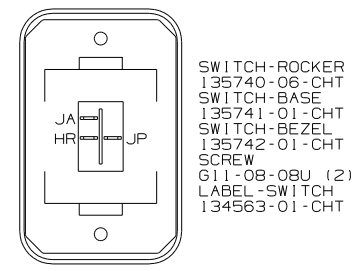
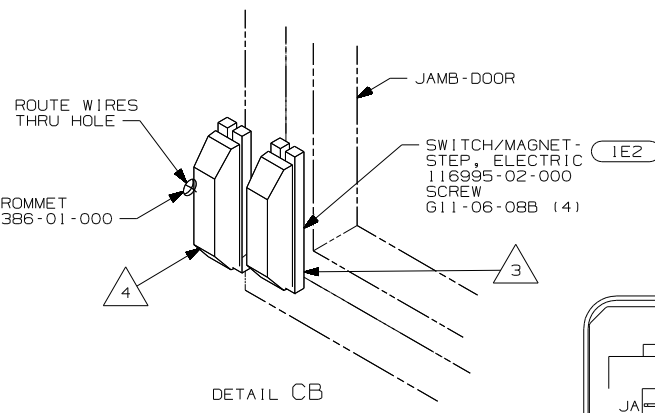
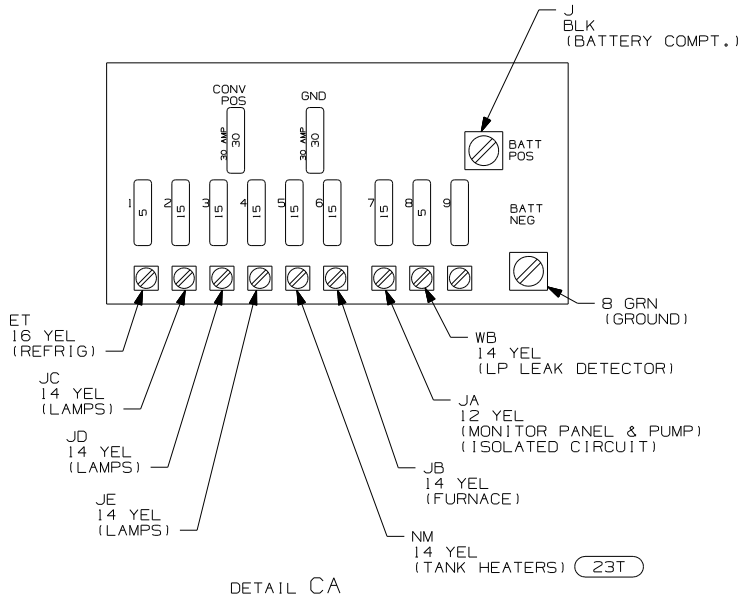
- (23R) DRAINAGE SYSTEM/HEAT-PREWIRE
- (1MB) CUSTOM FLOORPLAN-OFFICE
- (1JG) TV-14" DC, LCD, & DVD, DC
- (23T) DRAINAGE SYSTEM-HEATED
- (40N) GEN-4.0KW-ONANGAS-MICROQUIET
- (1A3) GENERATOR WITHOUT
- (265) CODES/STANDARDS-CSA/CMVSS
- (1B1) CODES/STANDARDS USA

△ 2 SEE WIRING INSTL-TV/DVD,SIDE FOR ADDITIONAL INFORMATION.  
 △ 1 USE ONE OF THE SPEAKERS PROVIDED IN THE KIT. SEND THE SCREWS IN THE KIT TO THE SURPLUS STORE. SEND THE KIT WIRE ASM-PIGTAIL TO WIRE PREP TO BE INCORPORATED INTO A WIRE LOOM.

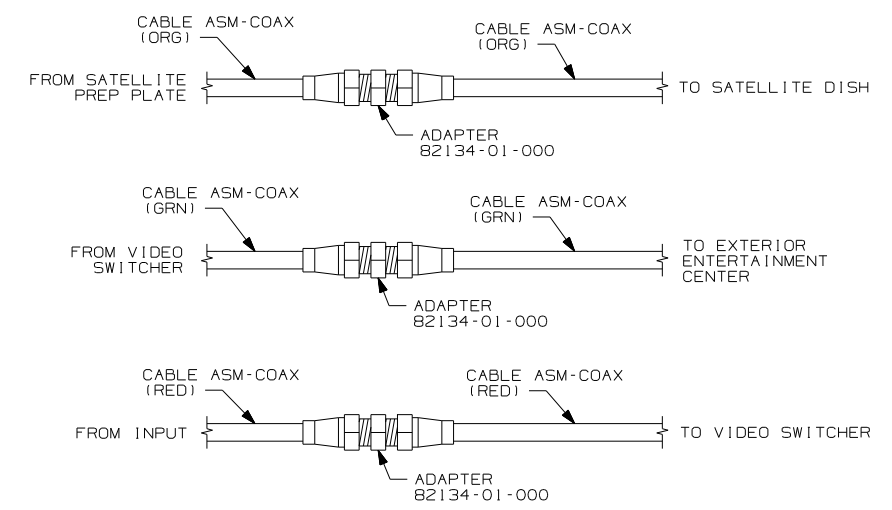
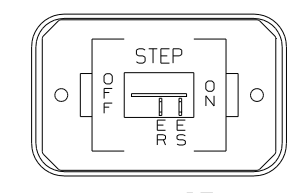
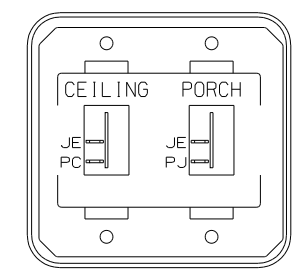
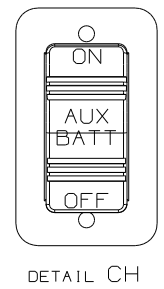
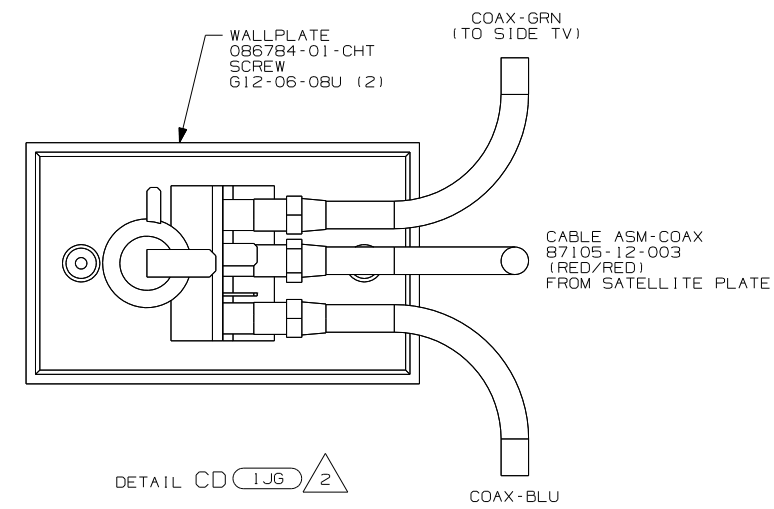
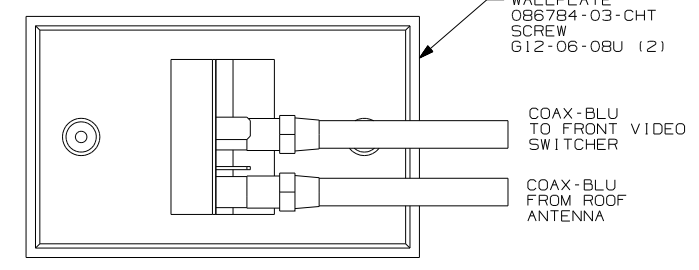
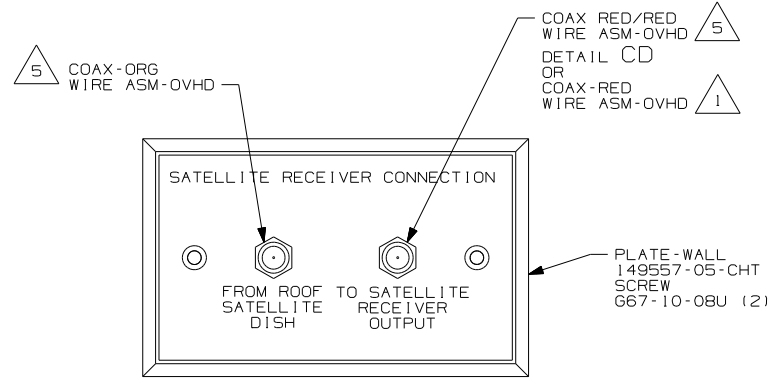
FOR ELECTRICAL TORQUE SPECIFICATIONS SEE DWG NO. 128783-01-000

FOR ELECTRICAL CALLOUTS SEE DWG NO. 121339-01-000

FIRST USED	07 224V
TITLE	DO NOT SCALE DRAWING
	WIRING INSTL-BODY, 12V
SHEET 2	PART NO 158840 REV



HOLDING TANK HEATER  
 TURN OFF When Not In Use  
 SEE OPERATORS MANUAL



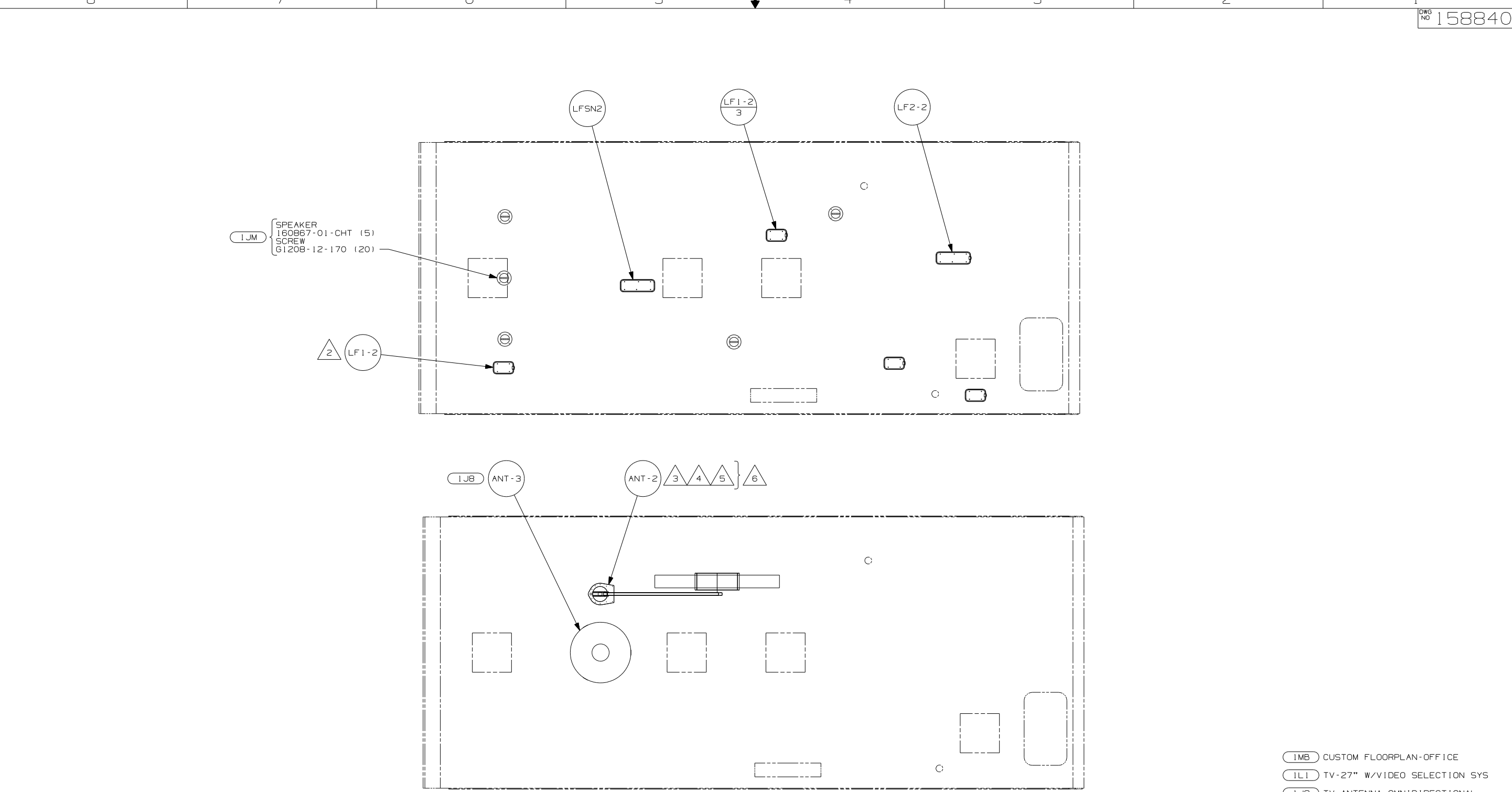
- NOTES:
- (5) CONNECT COAX TO BACK SIDE OF WALLPLATE.
  - (4) MOUNT SWITCH AND SPACER TO BLOCK ON JAMB. ADJUST HEIGHT TO MATCH MAGNET.
  - (3) MOUNT MAGNET USING PILOT HOLES IN SCREEN DOOR FRAME. MOUNT WITH MAGNET TOWARD SWITCH.
  - (2) NOT USED WITH (1L1)
  - (1) CONNECT COAX TO FRONT SIDE OF WALLPLATE.

FOR ELECTRICAL TORQUE SPECIFICATIONS SEE DWG NO. 128783-01-000

(X-X) FOR ELECTRICAL CALLOUTS SEE DWG NO. 121339-01-000

- (23R) DRAINAGE SYSTEM/HEAT-PREWIRE
- (23T) DRAINAGE SYSTEM-HEATED
- (1JG) TV-14" DC, LCD, & DVD, DC
- (1E2) ENTRANCE STEP-ELEC.
- (1L1) TV-27" W/VIDEO SELECTION SYS
- (265) CODES/STANDARDS-CSA/CMVSS
- (1B1) CODES/STANDARDS USA

FIRST USED	07 224V
TITLE	DO NOT SCALE DRAWING
	WIRING INSTL-BODY, 12V
SHEET 3	PART NO 158840 REV



- △ 6 NOT USED WITH 1JB
- △ 5 ADD RUBBER BUMPERS TO ROOF UNDER EACH END OF ANTENNA IN DOWN POSITION.
- △ 4 LOCATE CLIP TO RETAIN CABLE BUT NOT TO RESTRICT ANTENNA.
- △ 3 SEE DRAWING 76319-01-000 FOR INSTALLATION OF TV ANTENNA.
- △ 2 NOT USED WITH 1LI OR 1MB.

NOTES:  
1. SEE ROOF ASM FOR ADDITIONAL INFORMATION.

- 1MB CUSTOM FLOORPLAN-OFFICE
- 1LI TV-27" W/VIDEO SELECTION SYS
- 1JB TV ANTENNA-OMNIDIRECTIONAL
- 1JM HOME THEATER SOUND SYSTEM
- 265 CODES/STANDARDS-CSA/CMVSS
- 1B1 CODES/STANDARDS USA

FIRST USED		07 224V	
DO NOT SCALE DRAWING			
TITLE: WIRING INSTL-BODY, 12V			
SHEET 4	PART NO	158840	REV

FOR ELECTRICAL TORQUE SPECIFICATIONS SEE DWG NO. 128783-01-000

FOR ELECTRICAL CALLOUTS SEE DWG NO. 121339-01-000