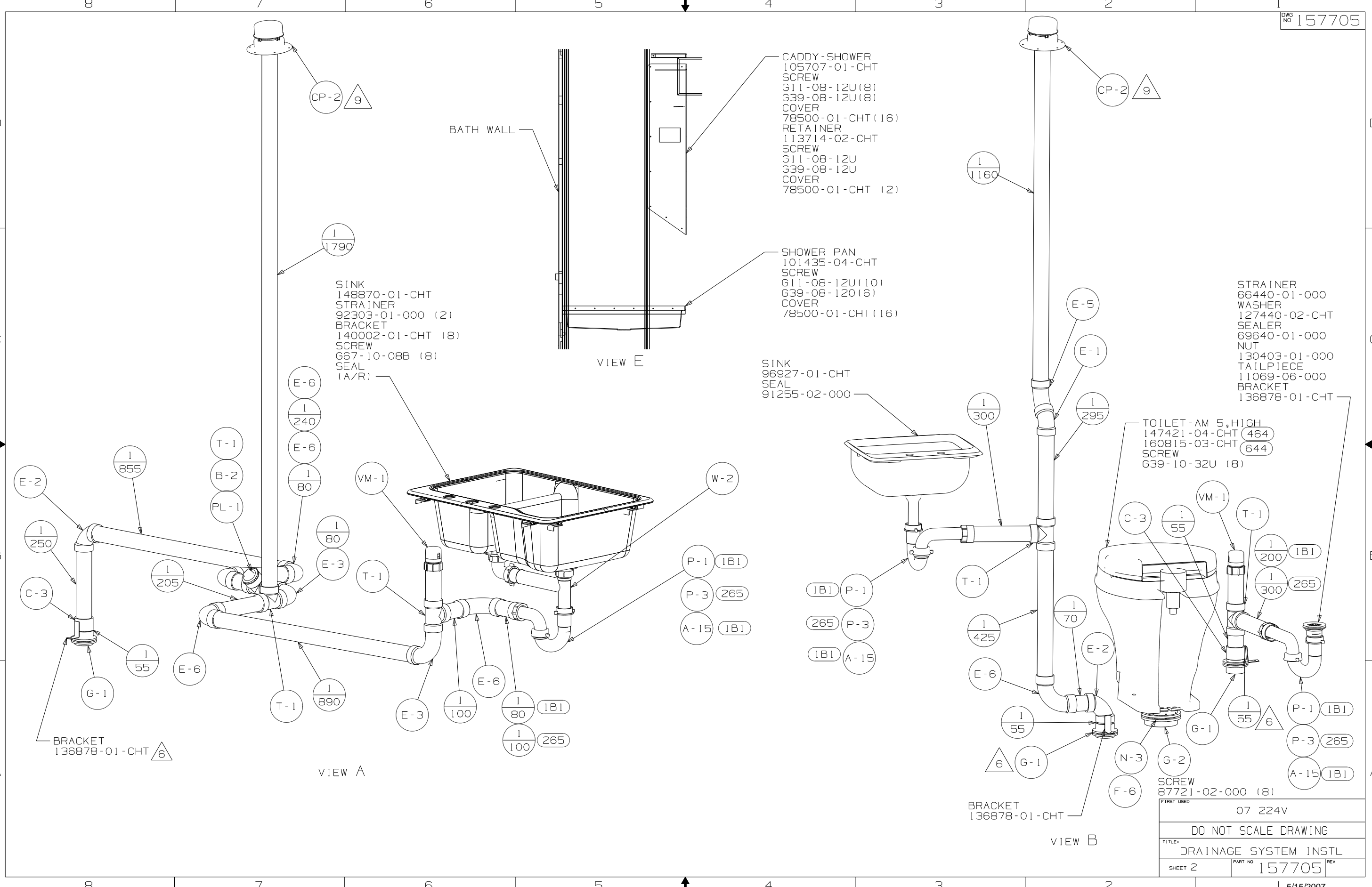


- 1. POSITION WITHIN 20mm OF TANK OUTLET.
- 10. SEE WIRING INSTL-BODY, 12V FOR ELECTRICAL CONNECTION.
- 9. VENT PIPE MUST PROJECT 51 MM MIN AND 64 MM MAX ABOVE ROOF FOR PROPER FIT AND FUNCTION.
- 8. SEE DRAWING 61607-01-000 FOR INSTL OF GROMMETS.
- 7. SEAL ALL AROUND SHOWER WITH SILICONE.
- 6. SECURE VENT TUBES TO FLOOR WITH CLAMP 62401-02-000 (3) AND SCREW G67-10-12B (3).
- 5. SECURE PIPES TO CABINET USING WIRE TIE 108046-02-000 AND SCREW G67-10-12B (8).
- 4. ALL EXTERIOR OPENINGS AROUND PIPE TO BE SEALED WITH 110744-01-000.
- 3. ALL PIPE AND FITTINGS TO BE ASSEMBLED WITH SOLVENT 4020-01-000.
- 2. SLOPE OF TRAP ARM MUST 6 PER 305.
- 1. SLOPE OF HORIZONTAL PIPING TO BE 6 PER 305.

- (1B1) CODES/STANDARDS USA
- (265) CODES/STANDARDS-CSA/CMVSS
- (23T) DRAINAGE SYSTEM-HEATED
- (464) TOILET

<b>WINNEBAGO</b>		COPYRIGHT 2007 WINNEBAGO INDUSTRIES, INC.	
DFT	ORIG. DATE	ALL DIMENSIONS ARE IN MILLIMETERS	
CHKR		FIRST USED	
P.E.		07 224V	
M.E.		UNSPECIFIED TOLERANCES ARE:	
DSNR		MATERIAL:	
		WHOLE DIM (X) :	3
		ONE-PLACE (X.X) :	
		TWO-PLACE (X.XX) :	
		ANGLE :	
		THIRD ANGLE PROJECTION	
DO NOT SCALE DRAWING			
TITLE: DRAINAGE SYSTEM INSTL			
SHEET 1 OF 3	PART NO	157705	REV
REF:	1 5/15/2007		

FOR  
DRAINAGE  
CALLOUTS  
SEE DWG NO.  
116229-01-000



SINK  
148870-01-CHT  
STRAINER  
92303-01-000 (2)  
BRACKET  
140002-01-CHT (8)  
SCREW  
G67-10-08B (8)  
SEAL  
(A/R)

CADDY-SHOWER  
105707-01-CHT  
SCREW  
G11-08-12U(8)  
G39-08-12U(8)  
COVER  
78500-01-CHT (16)  
RETAINER  
113714-02-CHT  
SCREW  
G11-08-12U  
G39-08-12U  
COVER  
78500-01-CHT (2)

SHOWER PAN  
101435-04-CHT  
SCREW  
G11-08-12U(10)  
G39-08-12U(6)  
COVER  
78500-01-CHT (16)

SINK  
96927-01-CHT  
SEAL  
91255-02-000

STRAINER  
66440-01-000  
WASHER  
127440-02-CHT  
SEALER  
69640-01-000  
NUT  
130403-01-000  
TAILPIECE  
11069-06-000  
BRACKET  
136878-01-CHT

TOILET-AM 5,HIGH  
147421-04-CHT (464)  
160815-03-CHT (644)  
SCREW  
G39-10-32U (8)

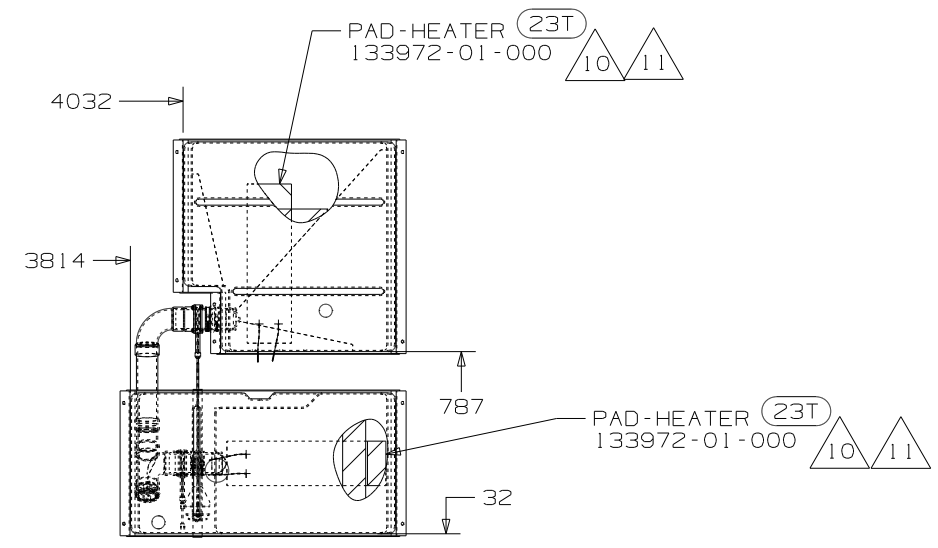
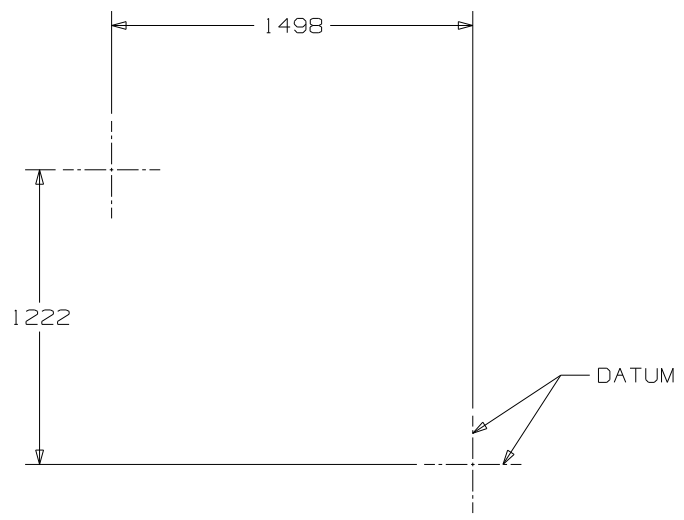
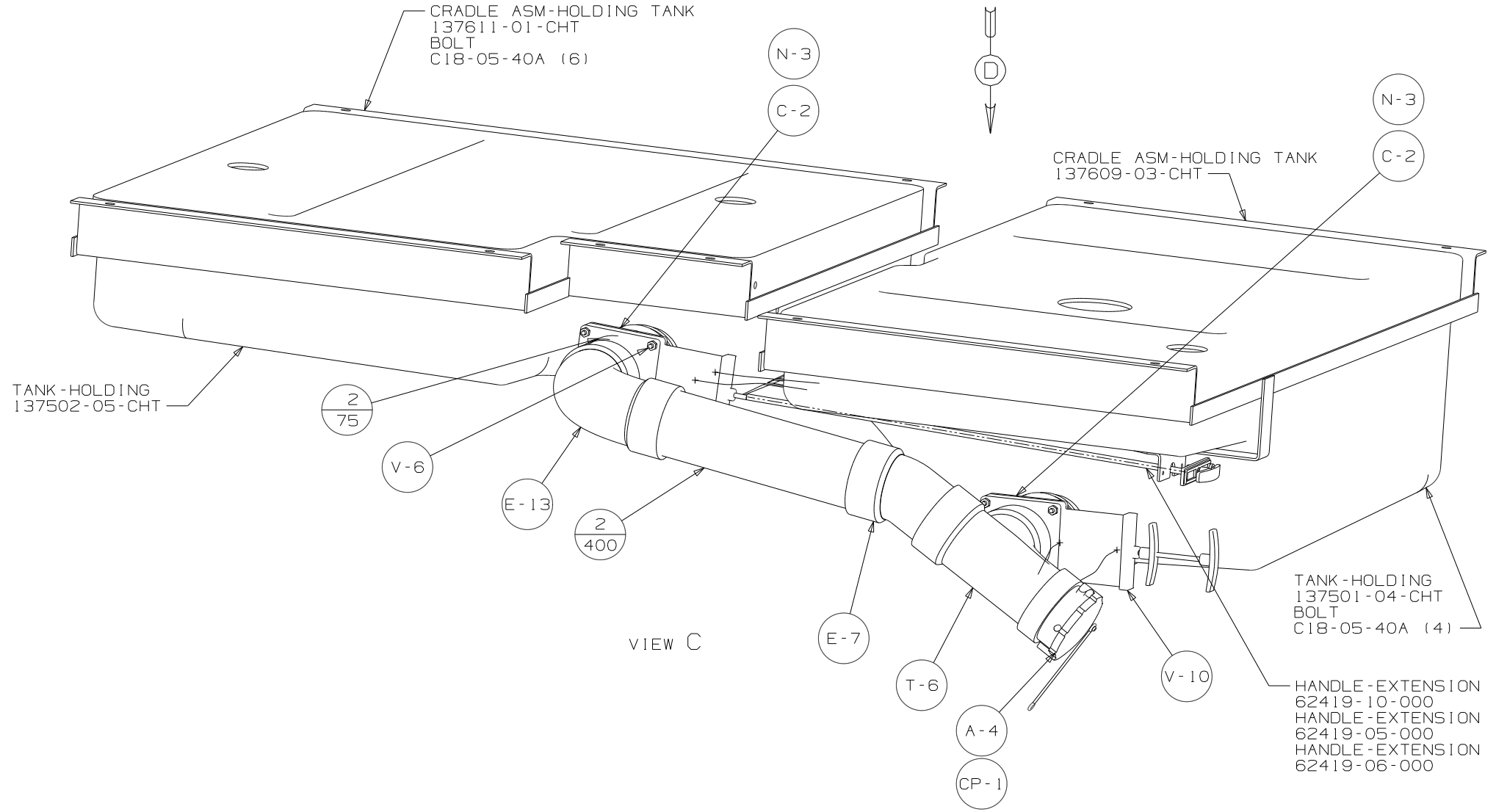
SCREW  
87721-02-000 (8)

VIEW A

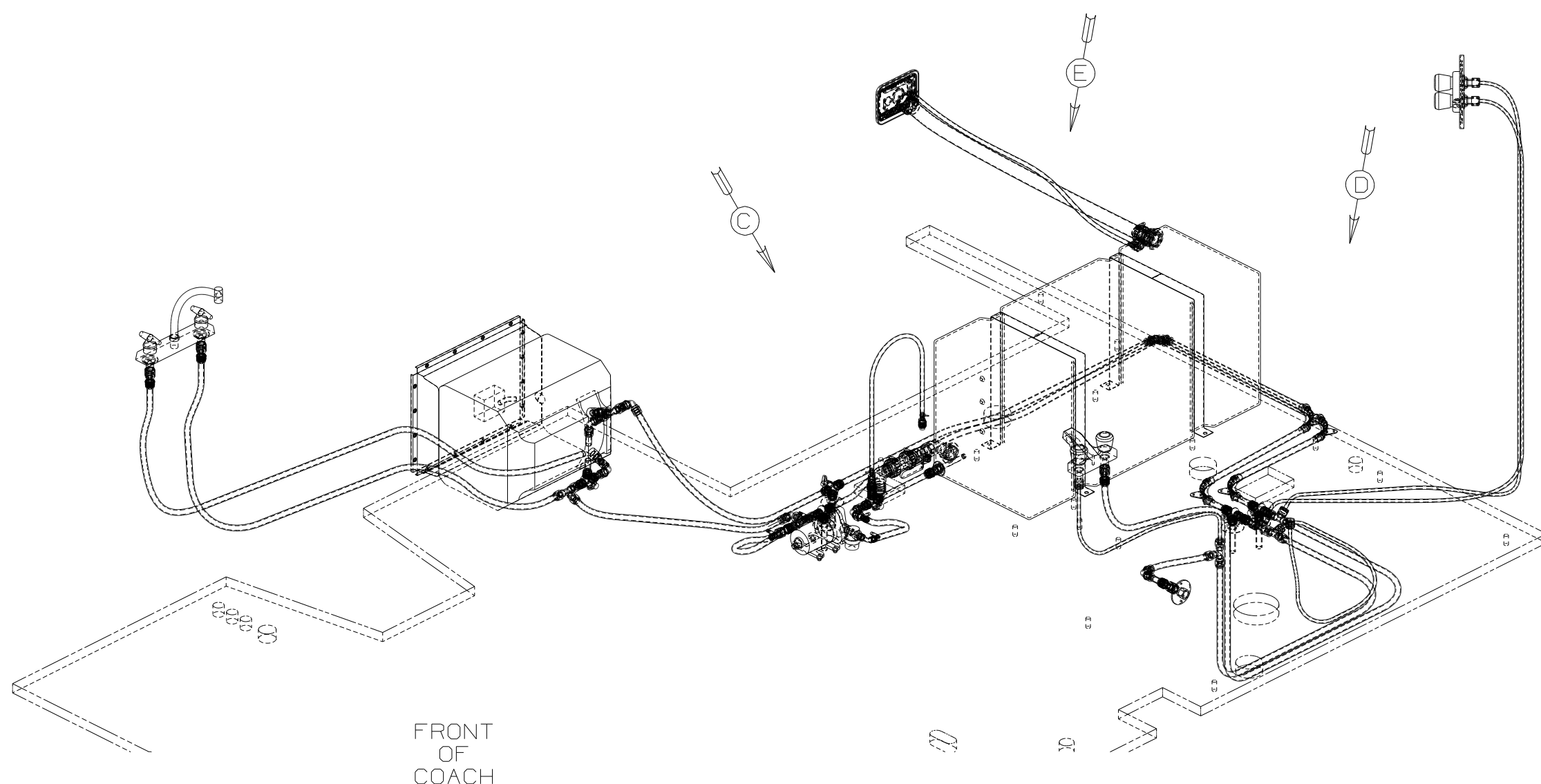
VIEW E

VIEW B

FIRST USED		07 224V	
DO NOT SCALE DRAWING			
TITLE: DRAINAGE SYSTEM INSTL			
SHEET 2	PART NO	157705	REV
1 5/15/2007			



FIRST USED	07 224V		
TITLE	DO NOT SCALE DRAWING		
	DRAINAGE SYSTEM INSTL		
SHEET 3	PART NO	157705	REV
			1 5/15/2007



FRONT  
OF  
COACH

- 1. ADD PIPE WRAP (LADDER SCRAP) INSULATION HERE .
  - 10. LABEL THE HOT AND COLD SUPPLY TUBES.
  - 9. TAPE FITTING TO TUBE BEFORE CABINET SET TO PREVENT FITTING FROM MOVING.
  - 8. ATTACH WASHER-PLASTIC 87080-13-CHT WITH TAPE-DOUBLE 123816-03-000 ON BOTTOM SIDE OF FLOOR.
  - 7. ATTACH WASHER-PLASTIC 87080-11-CHT WITH TAPE-DOUBLE 123816-03-000 ON BOTTOM SIDE OF COMPARTMENT.
  - 6. ADD TEFLON TAPE 10405-01-000.
  - 5. ADD TEFLON TAPE 10405-03-000.
  - 4. ADD TEFLON TAPE 10405-02-000.
3. ALL TUBING TO BE SECURED AT 1200 INTERVALS MAXIMUM WITH CLAMP 10495-01-000 OR EQUIVALENT.
2. TUBING TO BE INSTALLED WITH SUFFICIENT SLOPE TO PROVIDE DRAINAGE TO NEAREST VALVE.
1. PLASTIC FITTINGS TO BE SEALED WITH SEALANT 84456-01-000.

NOTES:

- 53E WATER SYS WINTERIZATION PKG
- 53F WATER HEATER-6 GAL-ELEC IGN

<b>WINNEBAGO</b>		COPYRIGHT 2006 WINNEBAGO INDUSTRIES, INC.	
DFTR	ORIG. DATE	ALL DIMENSIONS ARE IN MILLIMETERS	
CHKR		FIRST USED	
P.E.		07 224V	
M.E.		UNSPECIFIED TOLERANCES ARE:	
DSNR		MATERIAL:	
		WHOLE DIM (X) :	3
		ONE-PLACE (X.X) :	
		TWO-PLACE (X.XX) :	
		ANGLE :	
THIRD ANGLE PROJECTION		DO NOT SCALE DRAWING	
TITLE: WATER SYSTEM INSTL			
SHEET 1 OF 3	PART NO	157707	REV

(X-X)  
FOR  
WATER  
CALLOUTS  
SEE DWG NO  
116230-01-000

PANEL  
78498-01-CHT  
SCREW  
G11-08-12U (4)  
COVER  
78500-01-CHT

(SH-1)  
SCREW  
G11-08-16U (3)  
NUT-SPEED-U  
4921-05-000 (4)

TANK-WATER, 36 GAL  
156167-05-000  
STRAP-TANK, WATER  
118994-10-CHT (2)

WATER HEATER  
51391-03-000  
(6 GAL W/ELEC IGN)  
DOOR  
78506-01-CHT  
SEALANT  
69640-14-000  
112864-01-000  
SCREW  
G39-10-169 (18)  
EXTR  
2726-01-210 (2)  
2726-01-212 (2)

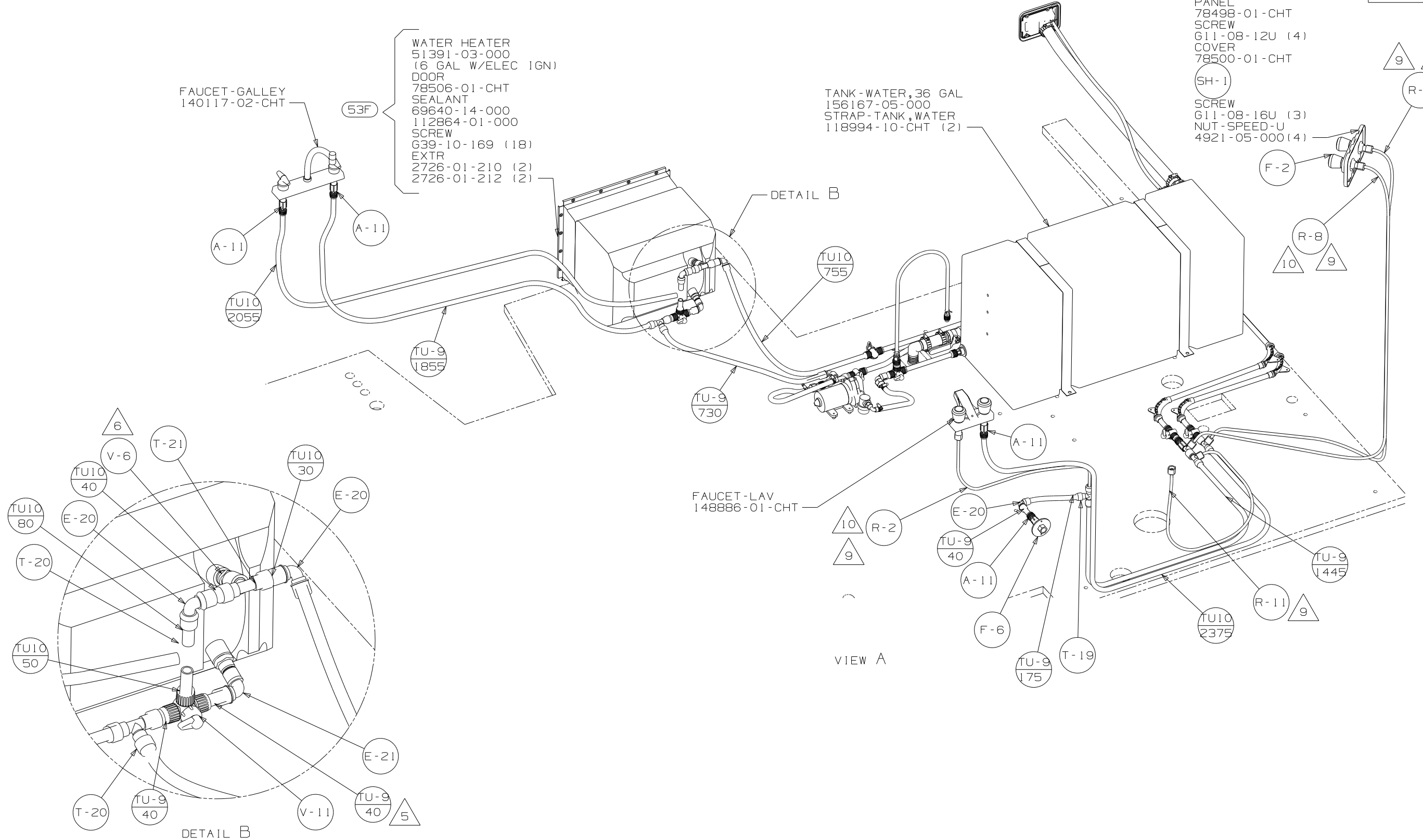
FAUCET-GALLEY  
140117-02-CHT

FAUCET-LAV  
148886-01-CHT

DETAIL B

DETAIL B

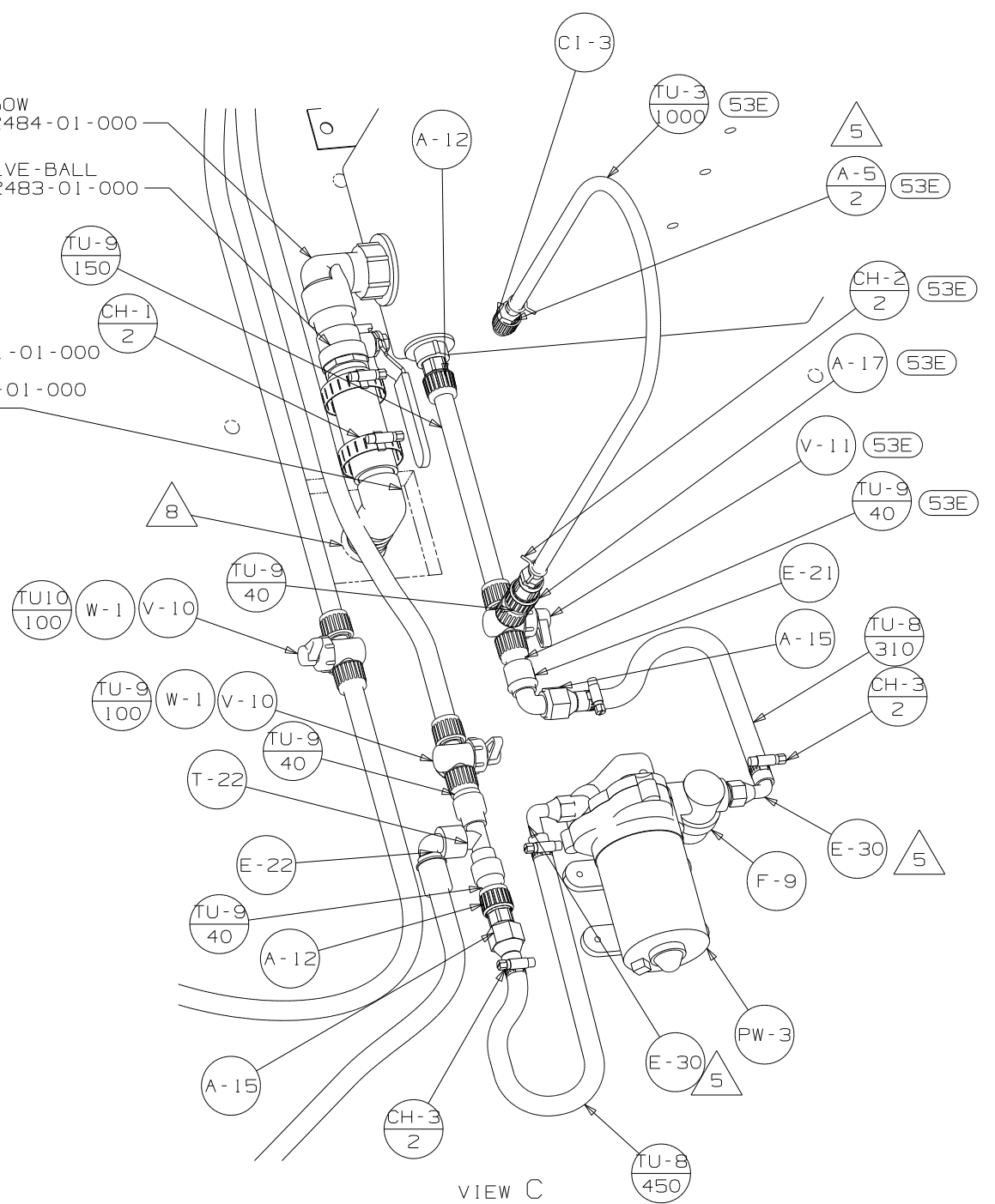
VIEW A



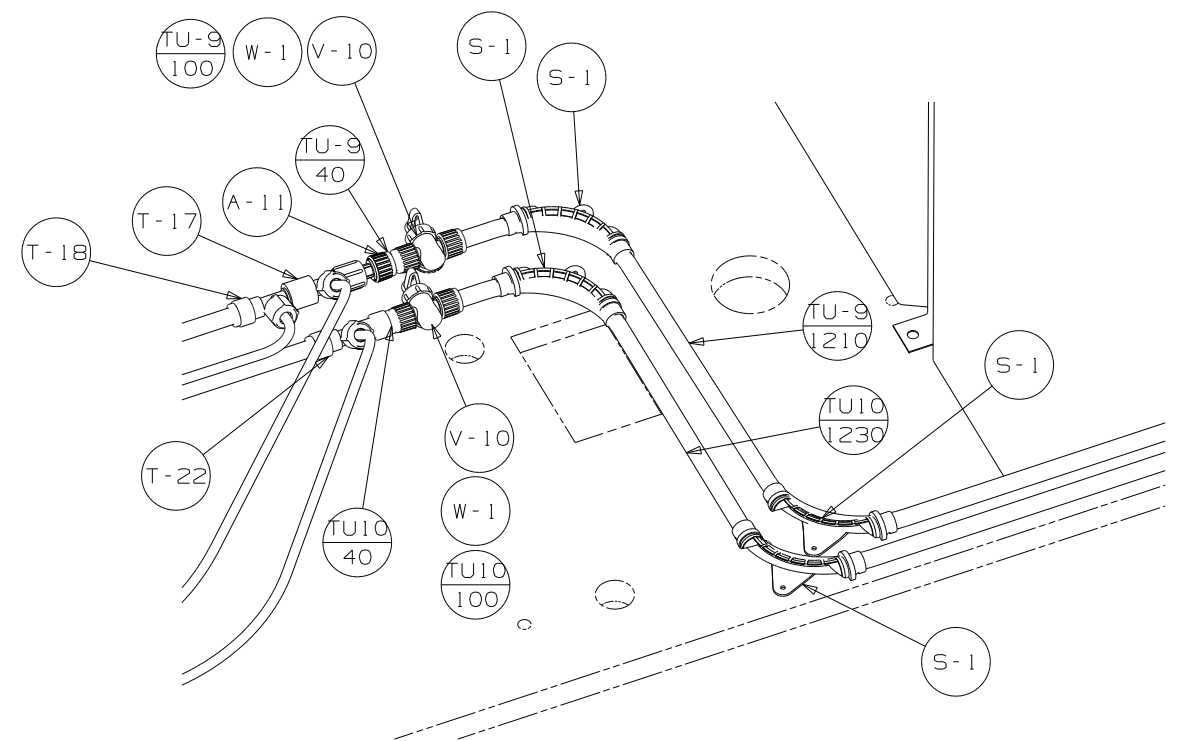
FIRST USED	07 224V
DO NOT SCALE DRAWING	
TITLE:	WATER SYSTEM INSTL
SHEET 2	PART NO 157707 REV
1 11/28/2006	

ELBOW  
132484-01-000  
VALVE-BALL  
132483-01-000

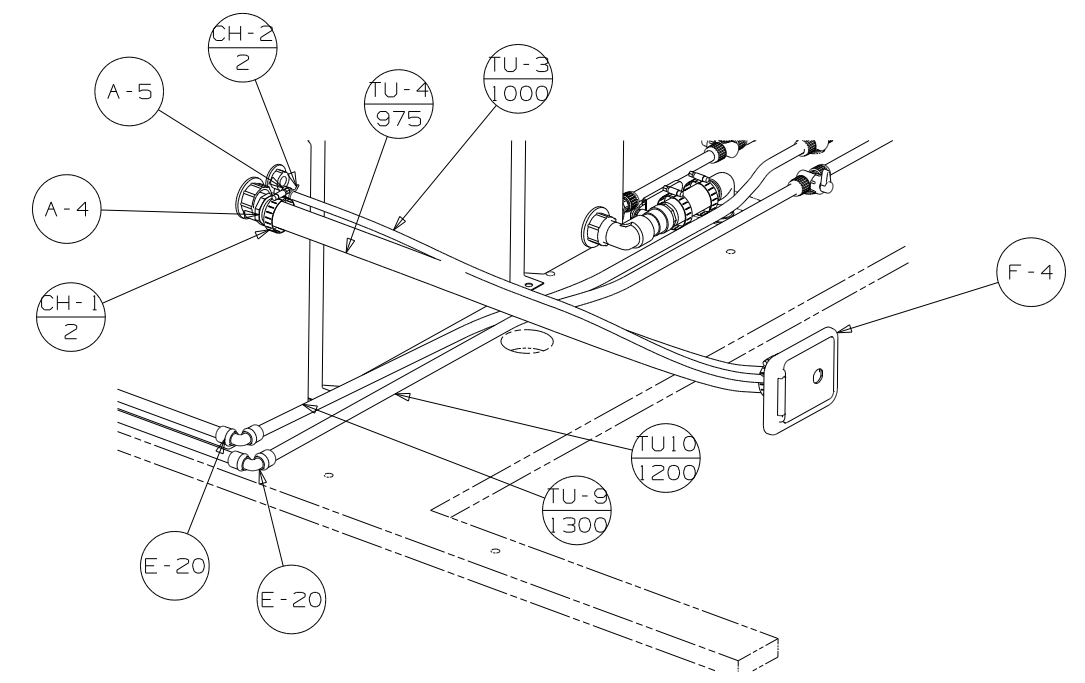
ELBOW  
132781-01-000  
TUBE  
74462-01-000  
(100)



VIEW C



VIEW D



VIEW E

FIRST USED	07 224V
DO NOT SCALE DRAWING	
TITLE:	WATER SYSTEM INSTL
SHEET 3	PART NO 157707 REV
I 11/28/2006	