



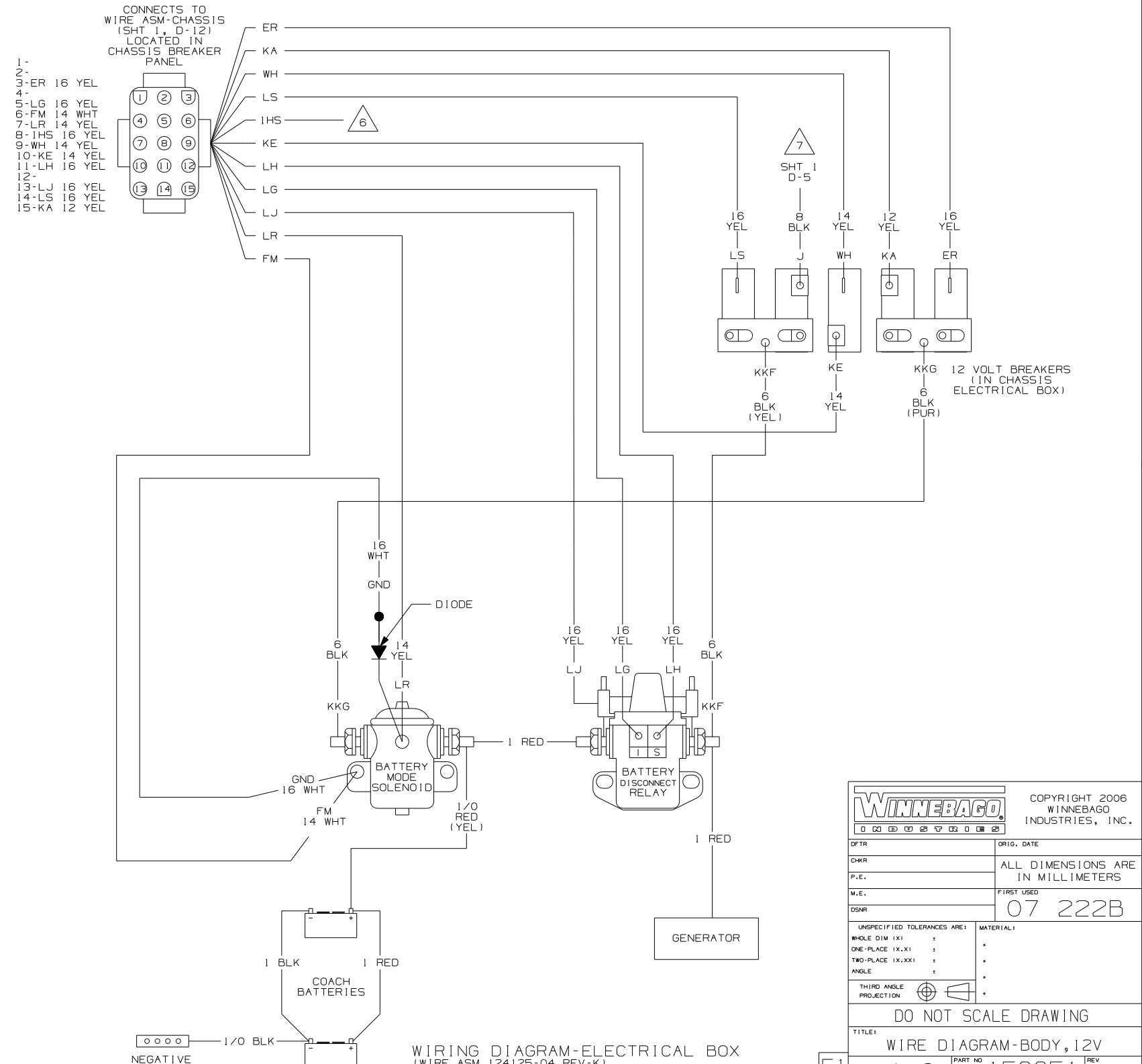
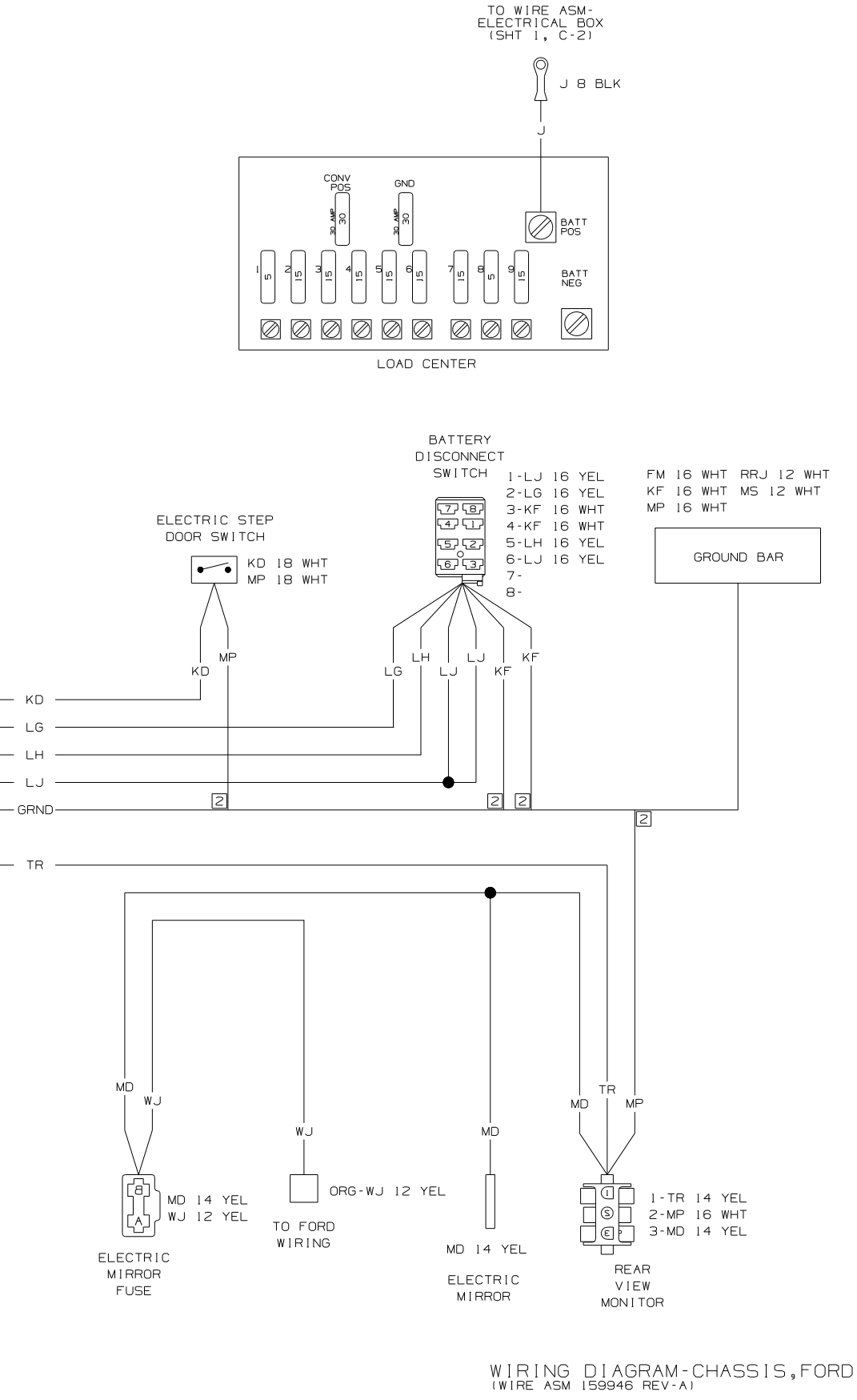
**DANGER**

**Danger of electrical shock, burns or death.** Always remove all power sources before attempting any repair, service or diagnostic work. Power can be present from shore power, generator, inverter or battery. All power sources must be disabled and secured before performing any service.

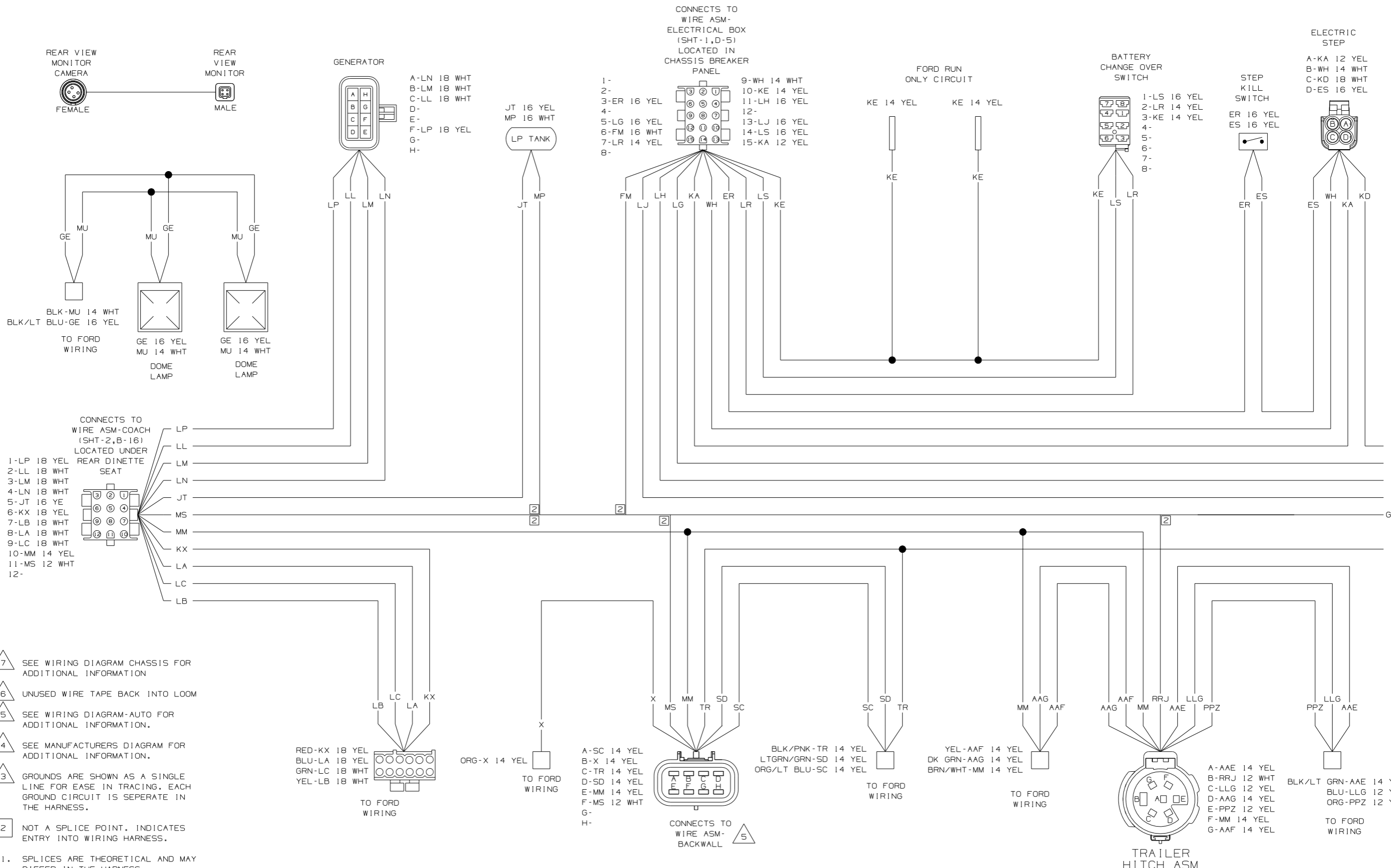


**CAUTION**

If you lack the skills, tools or equipment to perform diagnostic or repair work leave such work to an authorized Winnebago Industries dealer or other qualified shop.



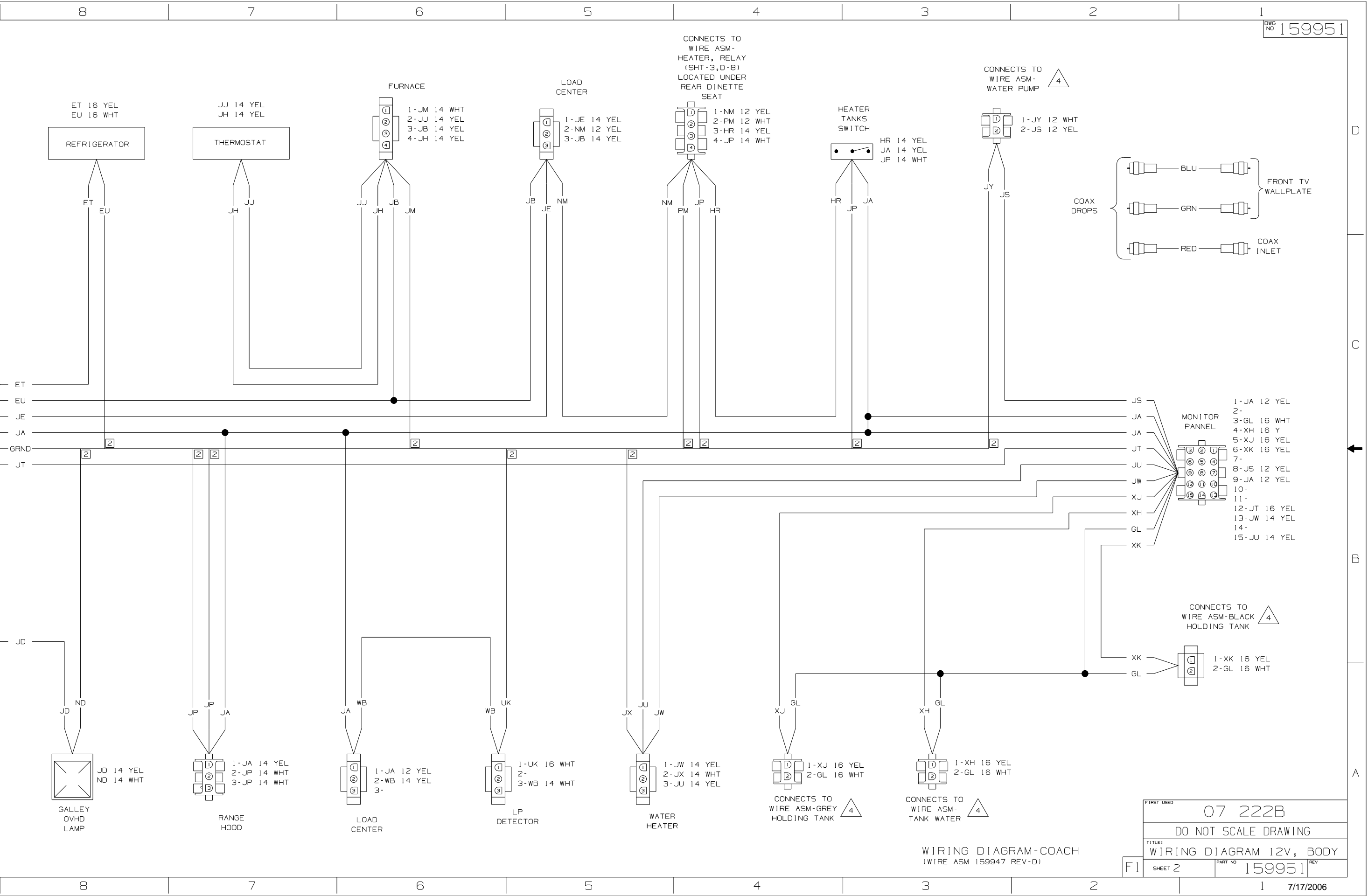
<b>WINNEBAGO</b>		COPYRIGHT 2006 WINNEBAGO INDUSTRIES, INC.	
DFT#	ORIG. DATE	ALL DIMENSIONS ARE IN MILLIMETERS	
CHR#		FIRST USED	
P.E.		07 222B	
M.E.		UNSPECIFIED TOLERANCES ARE:	
DSNR		MATERIAL:	
		WHOLE DIM (XX) :	
		ONE-PLACE (X.X) :	
		TWO-PLACE (X.XX) :	
		ANGLE :	
		THIRD ANGLE PROJECTION :	
DO NOT SCALE DRAWING			
TITLE: WIRE DIAGRAM-BODY, 12V			
SHEET 1 of 3		PART NO 159951	
REF: 1		7/17/2006	



- 7 SEE WIRING DIAGRAM CHASSIS FOR ADDITIONAL INFORMATION
- 6 UNUSED WIRE TAPE BACK INTO LOOM
- 5 SEE WIRING DIAGRAM-AUTO FOR ADDITIONAL INFORMATION.
- 4 SEE MANUFACTURERS DIAGRAM FOR ADDITIONAL INFORMATION.
- 3 GROUNDS ARE SHOWN AS A SINGLE LINE FOR EASE IN TRACING. EACH GROUND CIRCUIT IS SEPERATE IN THE HARNESS.
- 2 NOT A SPLICE POINT. INDICATES ENTRY INTO WIRING HARNESS.

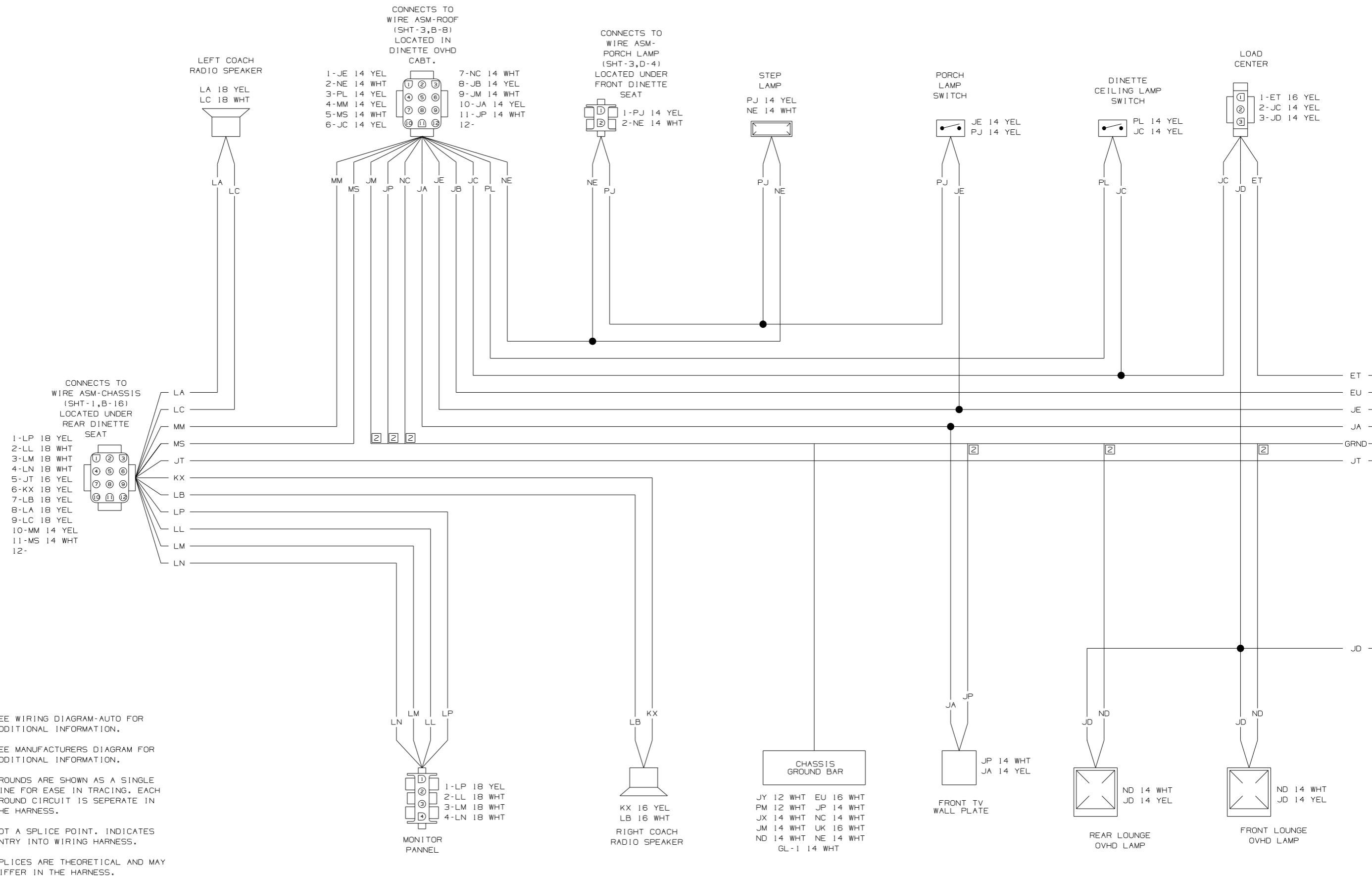
1. SPLICES ARE THEORETICAL AND MAY DIFFER IN THE HARNESS.

NOTES:

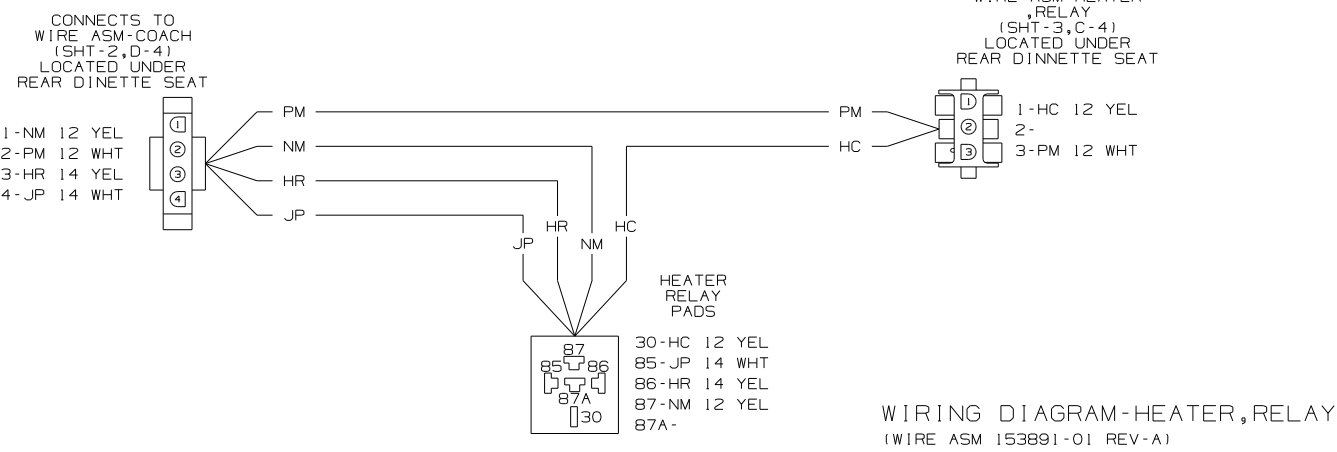


WIRING DIAGRAM-COACH (WIRE ASM 159947 REV-D)

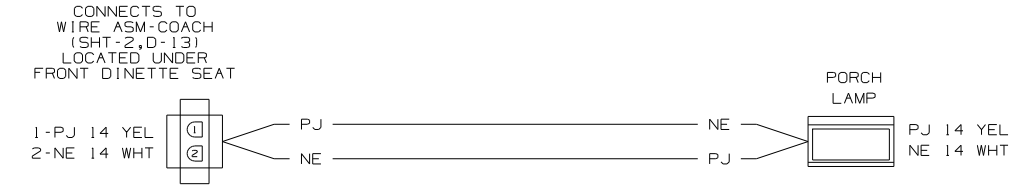
FIRST USED	07 222B	
TITLE	DO NOT SCALE DRAWING	
TITLE	WIRING DIAGRAM 12V, BODY	
SHEET 2	PART NO	15995 1



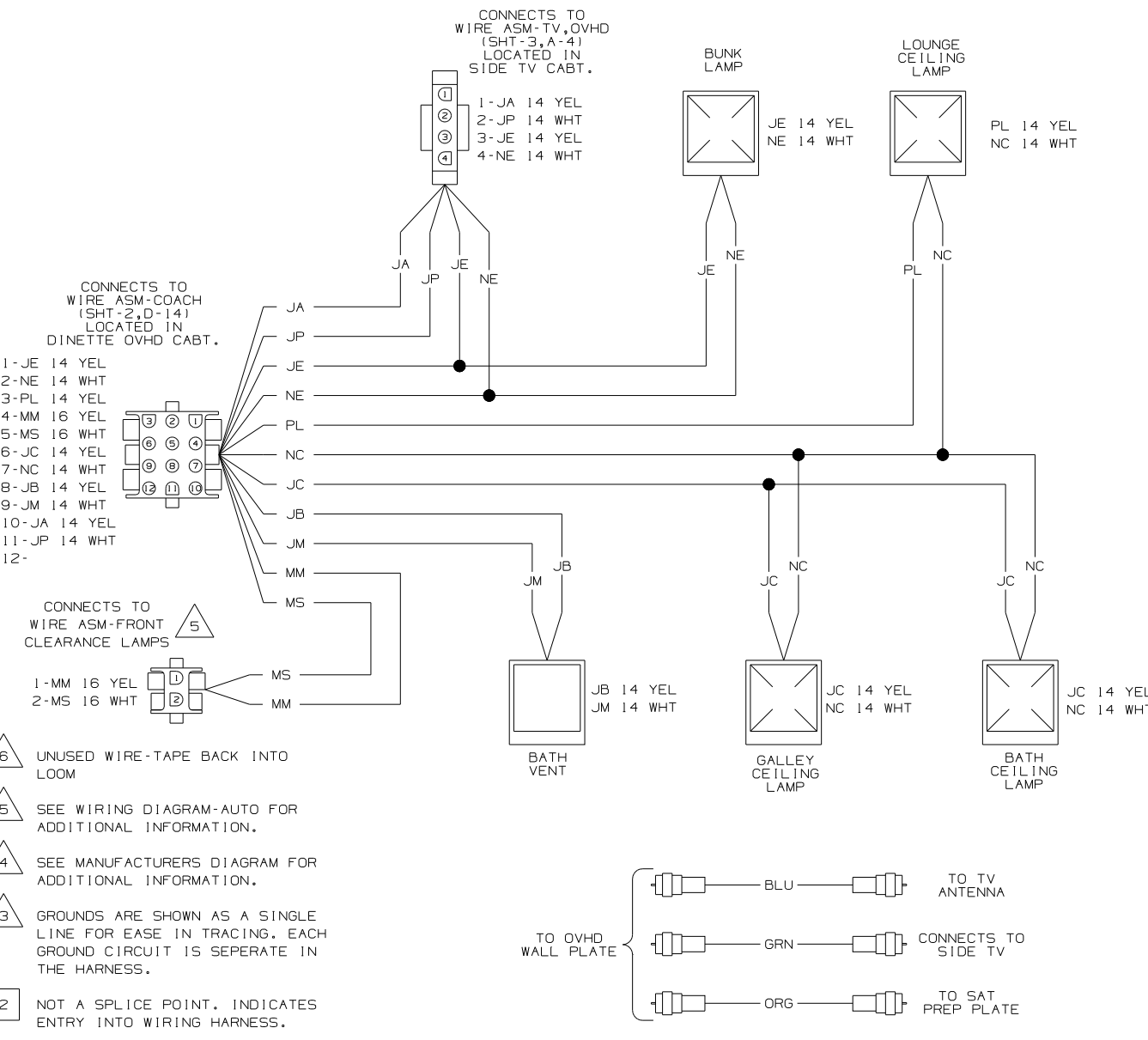
- 5 SEE WIRING DIAGRAM-AUTO FOR ADDITIONAL INFORMATION.
  - 4 SEE MANUFACTURERS DIAGRAM FOR ADDITIONAL INFORMATION.
  - 3 GROUNDS ARE SHOWN AS A SINGLE LINE FOR EASE IN TRACING. EACH GROUND CIRCUIT IS SEPERATE IN THE HARNESS.
  - 2 NOT A SPLICE POINT. INDICATES ENTRY INTO WIRING HARNESS.
- NOTES:
- SPLICES ARE THEORETICAL AND MAY DIFFER IN THE HARNESS.



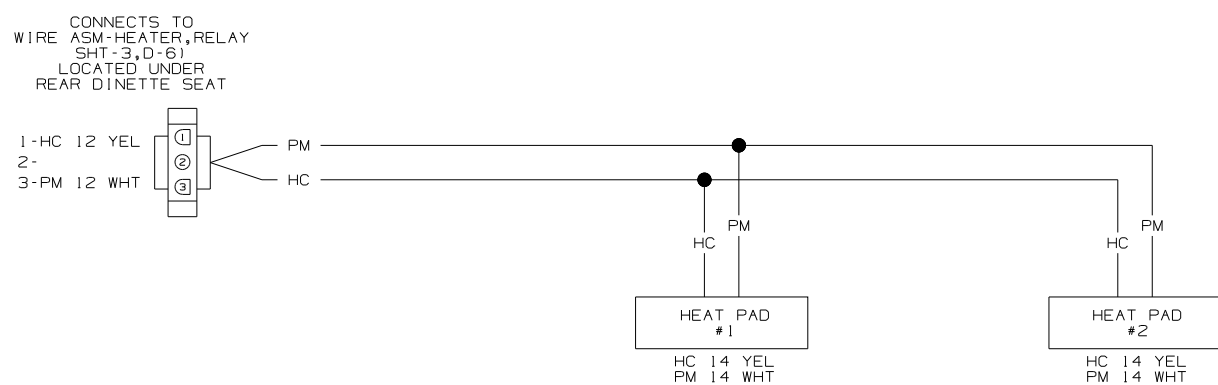
WIRING DIAGRAM-HEATER, RELAY  
(WIRE ASM 153891-01 REV-A)



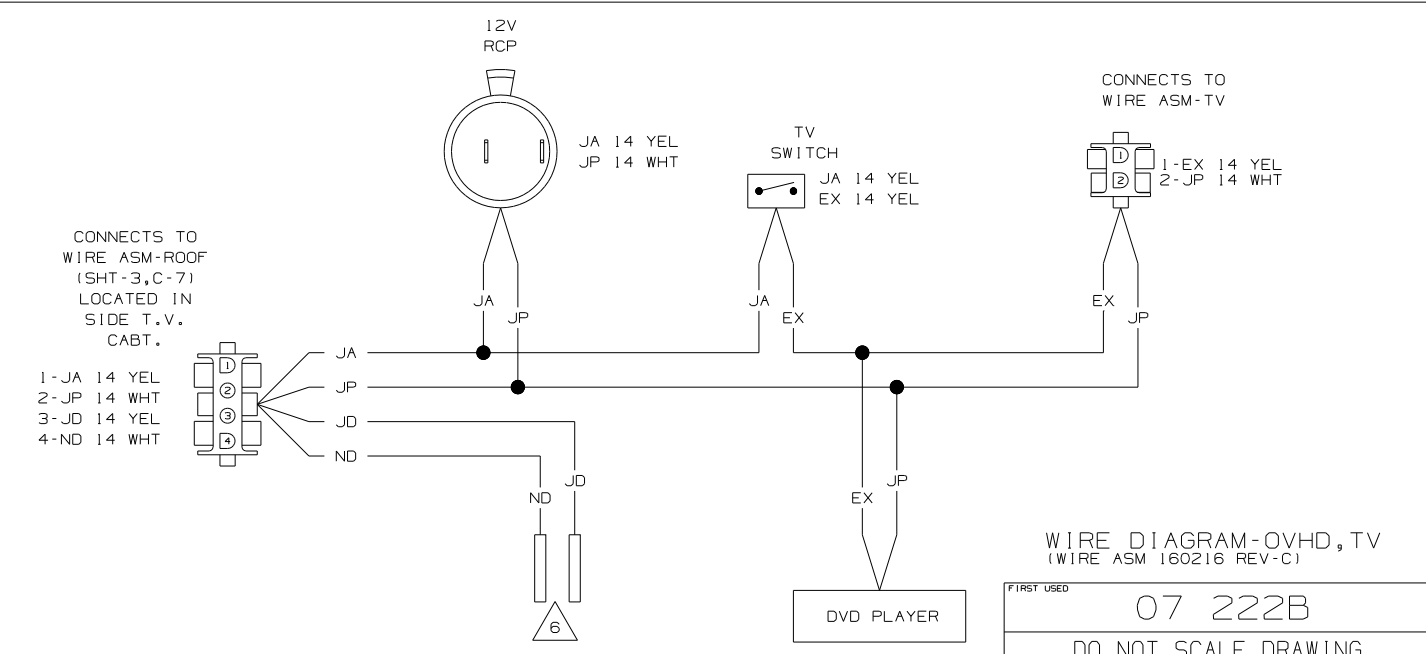
WIRING DIAGRAM PORCH-LIGHT  
(WIRE ASM 93051-03 REV-T)



WIRING DIAGRAM ROOF  
(WIRE ASM 159948 REV-A)



WIRING DIAGRAM HEATER, TANKS  
(WIRE ASM 134551-08 REV-J)



WIRE DIAGRAM-OVHD, TV  
(WIRE ASM 160216 REV-C)

- NOTES:
- 1. SPLICES ARE THEORETICAL AND MAY DIFFER IN THE HARNESS.
  - 2. NOT A SPLICE POINT. INDICATES ENTRY INTO WIRING HARNESS.
  - 3. GROUNDS ARE SHOWN AS A SINGLE LINE FOR EASE IN TRACING. EACH GROUND CIRCUIT IS SEPERATE IN THE HARNESS.
  - 4. SEE MANUFACTURERS DIAGRAM FOR ADDITIONAL INFORMATION.
  - 5. SEE WIRING DIAGRAM-AUTO FOR ADDITIONAL INFORMATION.
  - 6. UNUSED WIRE-TAPE BACK INTO LOOM

FIRST USED	07 222B
TITLE:	DO NOT SCALE DRAWING
	WIRING DIAGRAM BODY, 12V
SHEET 3	PART NO 159951 REV