



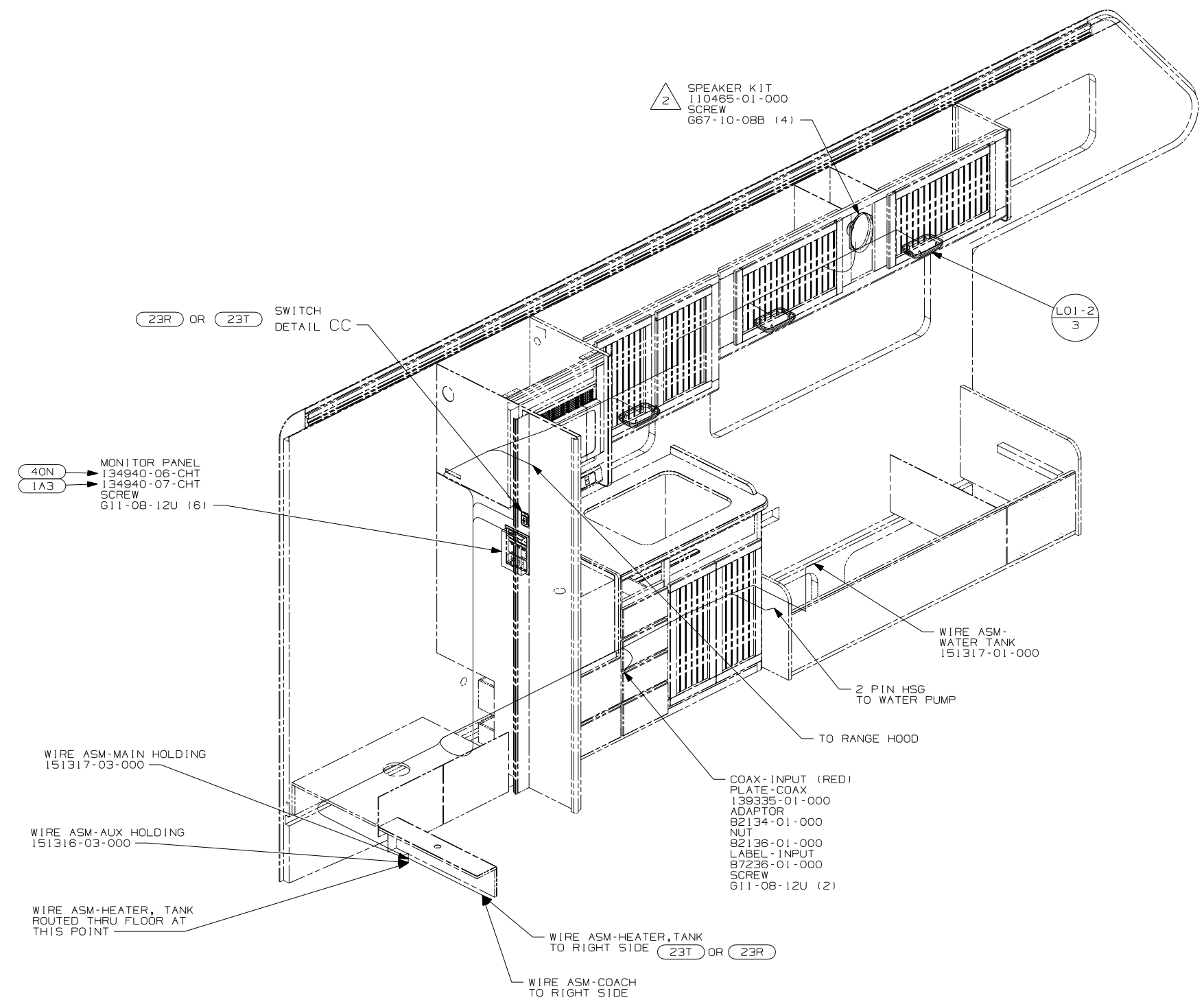
DANGER

Danger of electrical shock, burns or death. Always remove all power sources before attempting any repair, service or diagnostic work. Power can be present from shore power, generator, inverter or battery. All power sources must be disabled and secured before performing any service.



CAUTION

If you lack the skills, tools or equipment to perform diagnostic or repair work leave such work to an authorized Winnebago Industries dealer or other qualified shop.



- (23R) DRAINAGE SYSTEM/HEAT-PREP
 - (40N) GEN-4.0KW-ONANGAS-MICROQUIET
 - (1A3) GENERATOR WITHOUT
 - (23T) DRAINAGE SYSTEM-HEATED
 - (265) CODES/STANDARDS-CSA/CMVSS
 - (1B1) CODES/STANDARDS USA
- (1B1) (265)

WINNEBAGO COPYRIGHT 2006 WINNEBAGO INDUSTRIES, INC.

DFTR	ORIG. DATE
CHKR	ALL DIMENSIONS ARE IN MILLIMETERS
P.E.	
M.E.	FIRST USED
DSNR	07 222B

UNSPECIFIED TOLERANCES ARE: MATERIAL:

WHOLE DIM (X)	: 3
ONE-PLACE (X.X)	: 1.5
TWO-PLACE (X.XX)	: 0.50
ANGLE	: 1°

THIRD ANGLE PROJECTION

2. USE ONE OF THE SPEAKERS PROVIDED IN THE KIT. SEND THE SCREWS IN THE KIT TO THE SURPLUS STORE.

1. ROUTE TANK SENSOR WIRES SO THEY DO NOT PASS OVER SENSORS. USE WIRE TIE MOUNT 155366-01-000 AND WIRE TIE 8343-01-000 AS NEEDED. TANK SURFACE MUST BE CLEANED USING ISOPROPYL ALCOHOL AND PRIMED WITH PRIMER 94.

NOTES:

FOR ELECTRICAL TORQUE SPECIFICATIONS SEE DWG NO. 128783-01-000

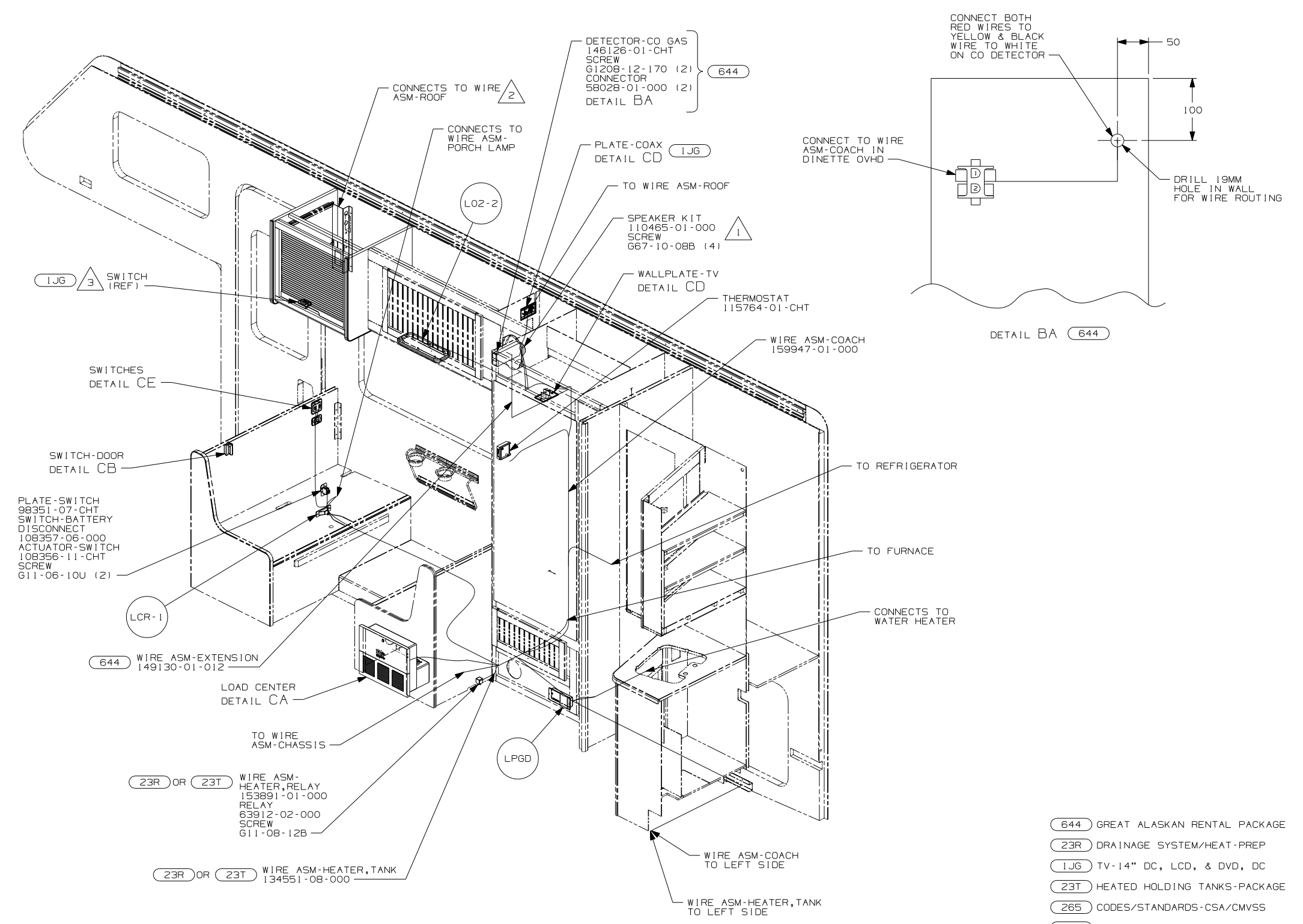
FOR ELECTRICAL CALLOUTS SEE DWG NO. 121339-01-000

DO NOT SCALE DRAWING

TITLE: WIRING INSTL-BODY, 12V

SHEET 1 OF 4 PART NO 159944 REV

REF: 1 11/28/2006



- 3 SEE WIRING INSTL-TV/DVD,SIDE FOR ADDITIONAL INFORMATION.
- 2 SEE CABT ASM-OVHD FOR ADDITIONAL INFORMATION.
- 1 USE ONE OF THE SPEAKERS PROVIDED IN THE KIT. SEND THE SCREWS IN THE KIT TO THE SURPLUS STORE. SEND THE KIT WRE ASM-PIGTAIL TO WIRE PREP TO INCORPORATED INTO A WIRE ASM.

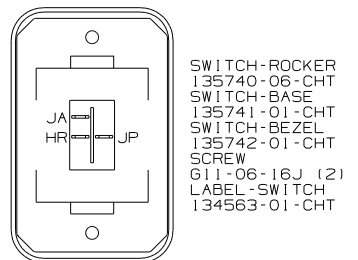
NOTES:

FOR ELECTRICAL TORQUE SPECIFICATIONS SEE DWG NO. 128783-01-000

FOR ELECTRICAL CALLOUTS SEE DWG NO. 121339-01-000

- 644 GREAT ALASKAN RENTAL PACKAGE
- 23R DRAINAGE SYSTEM/HEAT-PREP
- 1JG TV-14" DC, LCD, & DVD, DC
- 23T HEATED HOLDING TANKS-PACKAGE
- 265 CODES/STANDARDS-CSA/CMVSS
- 1B1 CODES/STANDARDS USA

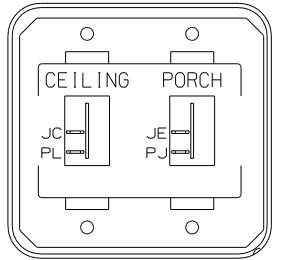
FIRST USED		07 222B	
DO NOT SCALE DRAWING			
TITLE: WIRING INSTL-BODY, 12V			
SHEET 2	PART NO	159944	REV



SWITCH-ROCKER
135740-06-CHT
SWITCH-BASE
135741-01-CHT
SWITCH-BEZEL
135742-01-CHT
SCREW
G11-06-16J (2)
LABEL-SWITCH
134563-01-CHT

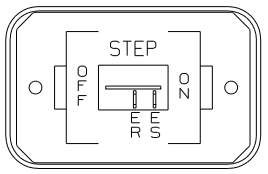
HOLDING TANK HEATER
TURN OFF When Not In Use
SEE OPERATORS MANUAL

DETAIL CC (23T) OR (23R)



SWITCH-ROCKER
135740-01-CHT (2)
SWITCH-BASE
135741-02-CHT
SWITCH-BEZEL
135742-19-CHT
SCREW
G11-08-08U (4)

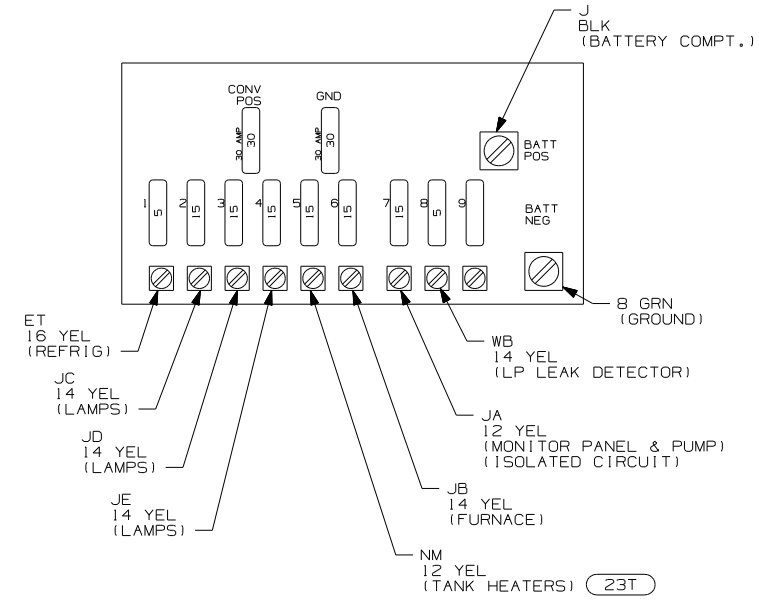
DETAIL CE



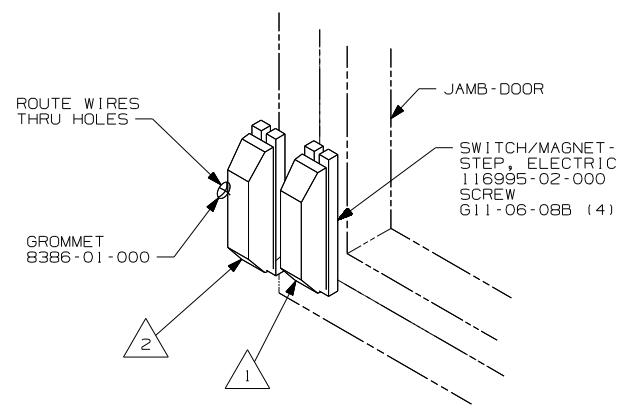
SWITCH-ROCKER
135740-01-CHT
SWITCH-BASE
135741-01-CHT
SWITCH-BEZEL
135742-11-CHT
SCREW
G11-08-08U (2)

(1E2)

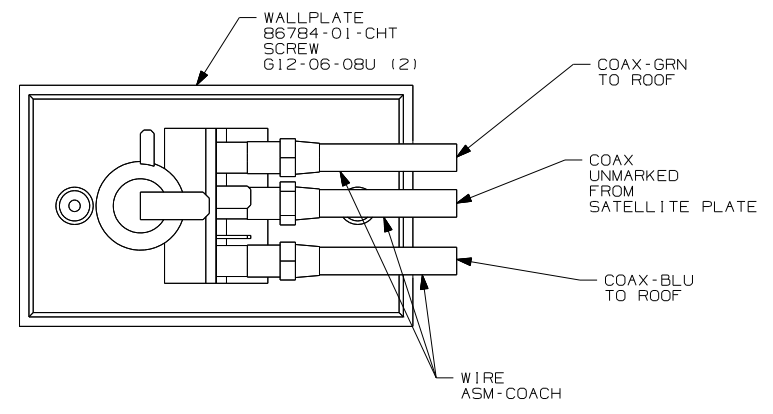
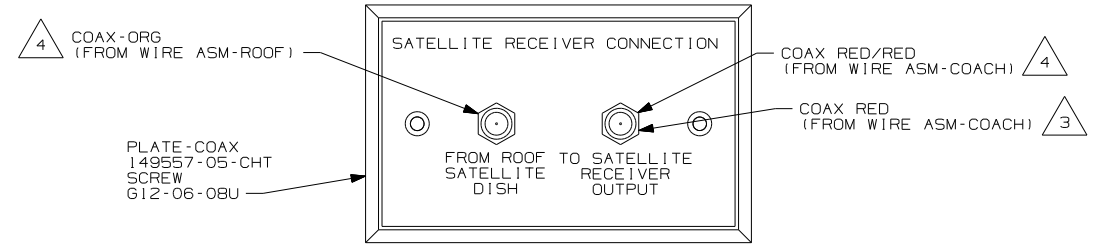
DETAIL CE



DETAIL CA



DETAIL CB



DETAIL CD (1JG)

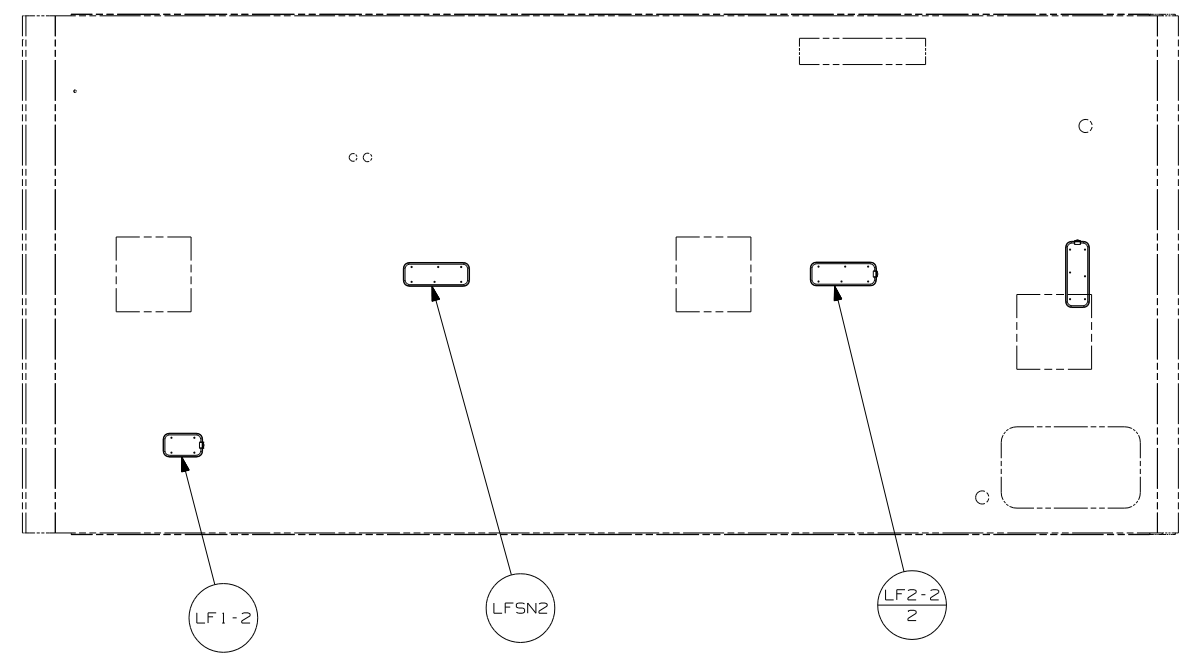
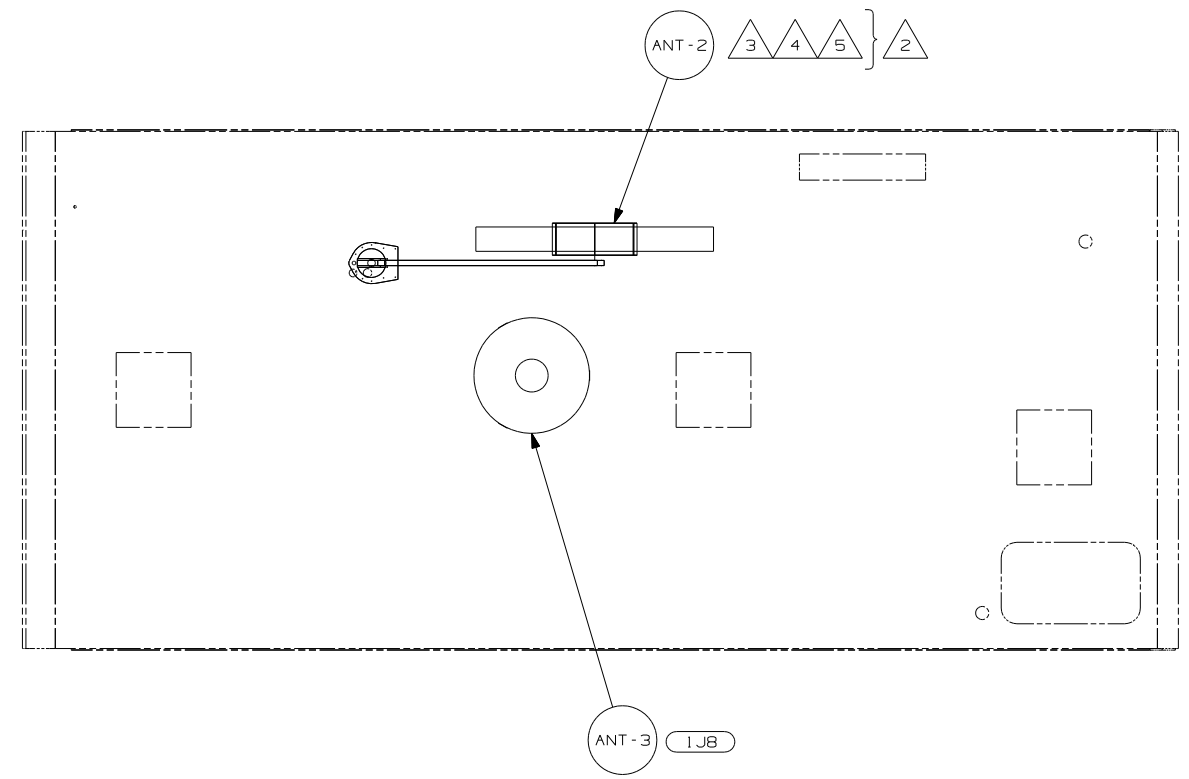
- NOTES:
- 4 CONNECT COAX TO BACKSIDE OF WALLPLATE.
 - 3 CONNECT COAX TO FRONT SIDE OF WALLPLATE.
 - 2 MOUNT SWITCH AND SPACER TO BLOCK ON JAMB. ADJUST HEIGHT TO MATCH MAGNET.
 - 1 MOUNT MAGNET USING PILOT HOLES IN SCREEN DOOR FRAME. MOUNT WITH MAGNET TOWARD SWITCH.

- (23R) DRAINAGE SYSTEM/HEAT-PREWIRE
- (1JG) TV-14" DC, LCD, & DVD, DC
- (23T) DRAINAGE SYSTEM-HEATED
- (1E2) ENTRANCE STEP-ELEC.
- (265) CODES/STANDARDS-CSA/CMVSS
- (1B1) CODES/STANDARDS USA

FOR ELECTRICAL TORQUE SPECIFICATIONS SEE DWG NO. 128783-01-000

(X-X) FOR ELECTRICAL CALLOUTS SEE DWG NO. 121339-01-000

FIRST USED	07 222B
DO NOT SCALE DRAWING	
TITLE:	WIRING INSTL-BODY, 12V
SHEET 3	PART NO 159944 REV



- 5 SEE DRAWING 76319-01-000 FOR INSTALLATION OF TV ANTENNA.
- 4 ADD BUMPERS TO ROOF UNDER EACH END OF ANTENNA IN DOWN POSITION.
- 3 LOCATE CLIP TO RETAIN CABLE BUT NOT TO RESTRICT ANTENNA
- 2 NOT USED WITH 1JB

NOTES:
1. SEE ROOF ASM FOR ADDITIONAL INFORMATION.

- 1JB TV ANTENNA-OMNIDIRECTIONAL
- 265 CODES/STANDARDS-CSA/CMVSS
- 1B1 CODES/STANDARDS USA

FIRST USED	07 222B
DO NOT SCALE DRAWING	
TITLE:	WIRING INSTL-BODY, 12V
SHEET 4	PART NO 159944 REV

FOR ELECTRICAL TORQUE SPECIFICATIONS SEE DWG NO. 128783-01-000

FOR ELECTRICAL CALLOUTS SEE DWG NO. 121339-01-000

8 7 6 5 4 3 2 1

8 7 6 5 4 3 2 1