

8

7

6

5

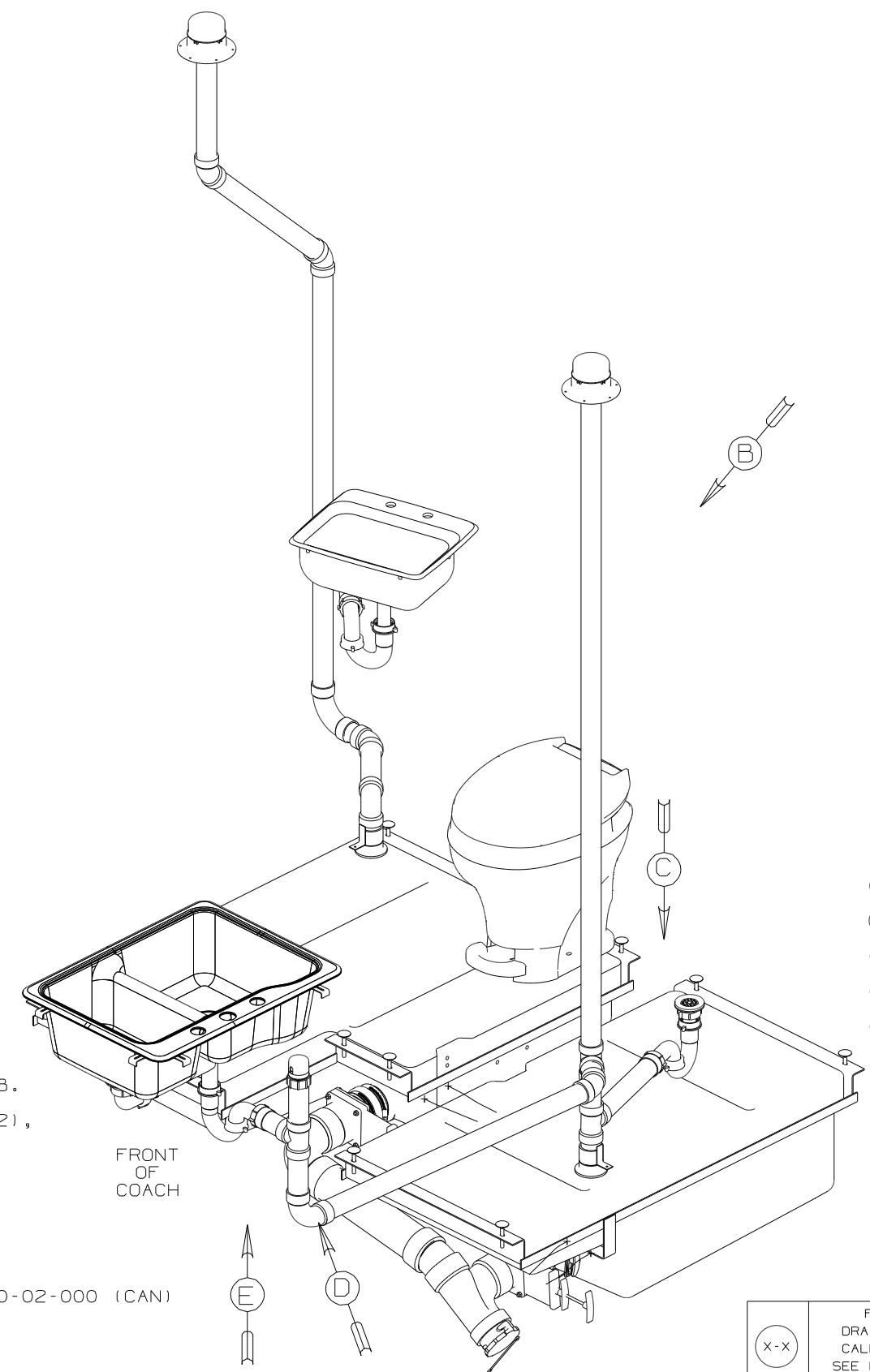
4

3

2

1

RELEASE	REV DATE	DWG NO
A		159785
REV ZONE	REVISION RECORD	DATE



- 9 SEE WIRING INST-BODY, 12V FOR ELECTRICAL CONNECTION.
- 8 SECURE PIPES TO CABINET USING WIRE TIE 108046-02-000, AND SCREW G67-10-12B.
- 7 SECURE VENT TUBES TO FLOOR WITH CLAMP 62401-02-000 (2), SCREW G67-10-12B (2), BRACKET 136878-01-CHT (2).
- 6 VENT PIPE MUST PROJECT 51 MIN AND 64 MAX ABOVE ROOF FOR PROPER FIT AND FUNCTION.
- 5. SEAL AROUND SHOWER WITH SILICONE.
- 4. ALL EXTERIOR OPENINGS AROUND PIPE TO BE SEALED WITH 131264-03-000.
- 3. ALL PIPE AND FITTINGS TO BE ASSEMBLED WITH SOLVENT 4020-01-000 (USA), 4020-02-000 (CAN)
- 2. SLOPE OF TRAP ARM MUST BE 6 PER 305 mm.
- 1. SLOPE OF HORIZONTAL PIPING TO BE MIN 3 PER 305 mm.

- (B1) CODES/STANDARDS-USA
- (265) CODES/STDS-CSA/CMVSS
- (23T) HEATED HOLDING TANKS PACKAGE
- (464) TOILET
- (644) GREAT ALASKAN RENTAL PACKAGE

<b>WINNEBAGO</b>		COPYRIGHT 2007 WINNEBAGO INDUSTRIES, INC.	
DFT	ORIG. DATE	ALL DIMENSIONS ARE IN MILLIMETERS	
CHKR		07 222B	
P.E.		FIRST USED	
M.E.			
DSNR			
UNSPECIFIED TOLERANCES ARE:		MATERIAL:	
WHOLE DIM (X)	: 7		
ONE-PLACE (X.X)	:		
TWO-PLACE (X.XX)	:		
ANGLE	:		
THIRD ANGLE PROJECTION			
<b>DO NOT SCALE DRAWING</b>			
TITLE: DRAINAGE SYSTEM INSTL			
SHEET 1 OF 3	PART NO	159785	REV
REF:	1 5/15/2007		

(X-X)  
FOR  
DRAINAGE  
CALLOUTS  
SEE DWG NO  
116229-01-000

NOTES:

8

7

6

5

4

3

2

1

8

7

6

5

4

3

2

1

D

D

C

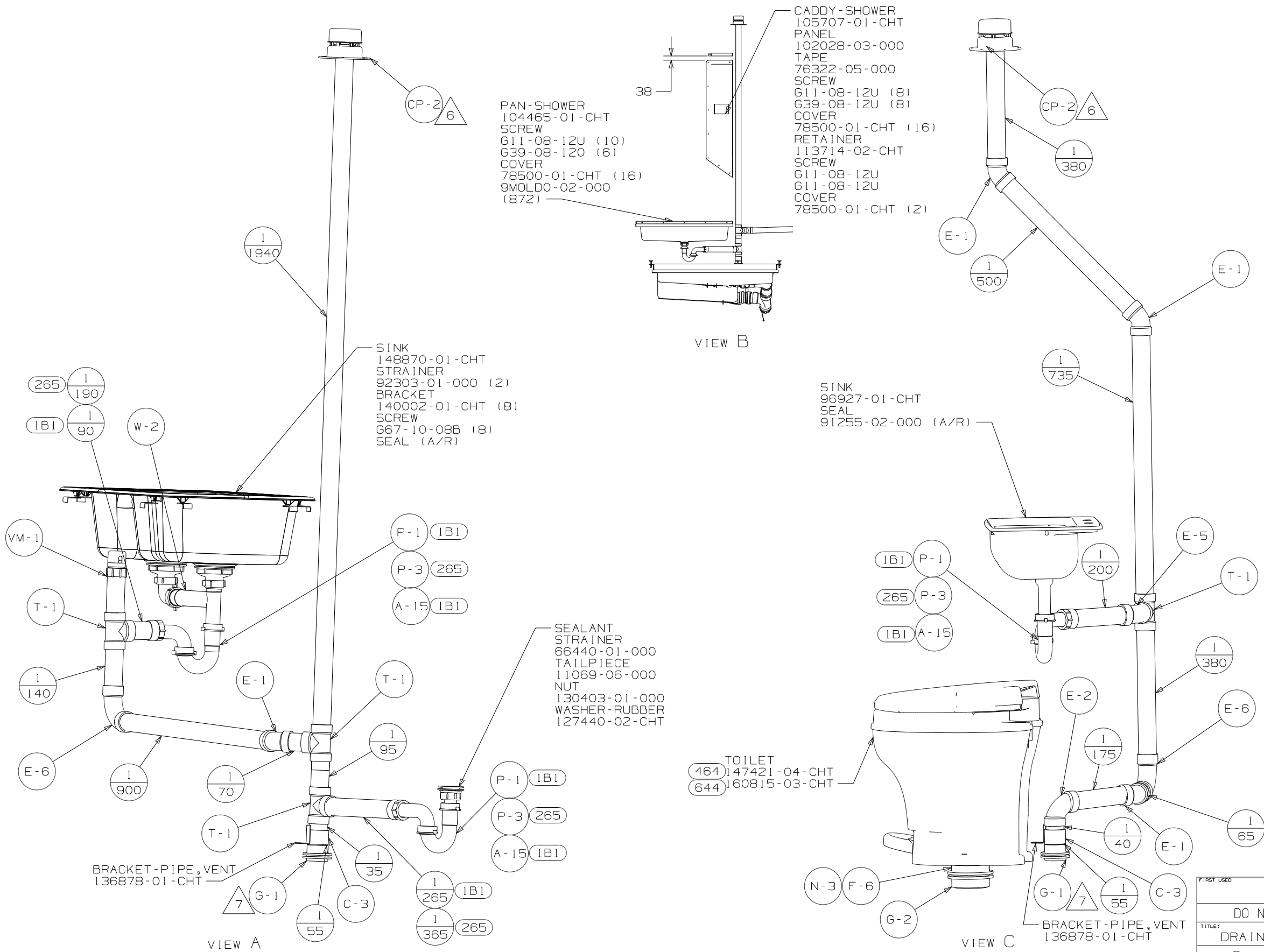
C

B

B

A

A



PAN-SHOWER  
 104465-01-CHT  
 SCREW  
 G11-08-12U (10)  
 G39-08-120 (6)  
 COVER  
 78500-01-CHT (16)  
 9MOLD0-02-000 (872)

CADDY-SHOWER  
 105707-01-CHT  
 PANEL  
 102028-03-000  
 TAPE  
 76322-05-000  
 SCREW  
 G11-08-12U (8)  
 G39-08-12U (8)  
 COVER  
 78500-01-CHT (16)  
 RETAINER  
 113714-02-CHT  
 SCREW  
 G11-08-12U  
 G11-08-12U  
 COVER  
 78500-01-CHT (2)

SINK  
 148870-01-CHT  
 STRAINER  
 92303-01-000 (2)  
 BRACKET  
 140002-01-CHT (8)  
 SCREW  
 G67-10-08B (8)  
 SEAL (A/R)

SINK  
 96927-01-CHT  
 SEAL  
 91255-02-000 (A/R)

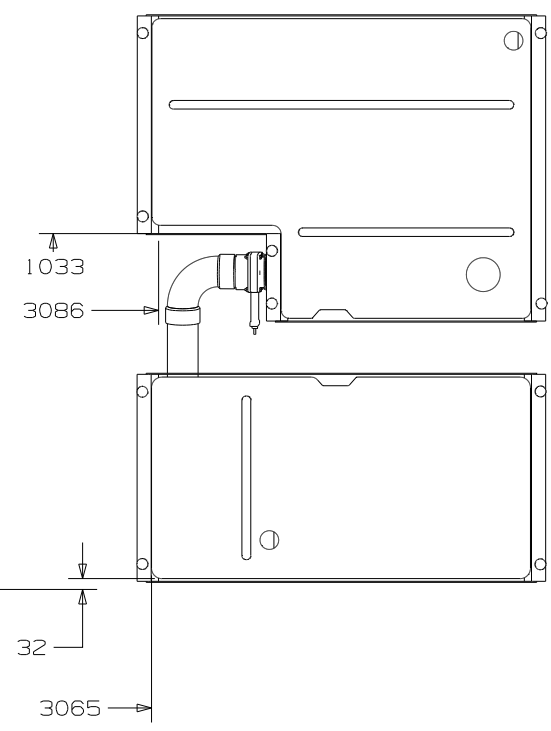
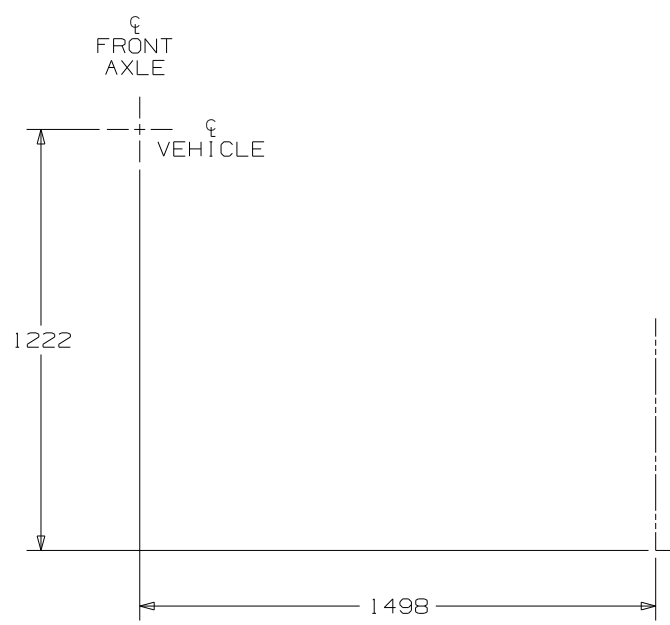
SEALANT  
 STRAINER  
 66440-01-000  
 TAILPIECE  
 11069-06-000  
 NUT  
 130403-01-000  
 WASHER-RUBBER  
 127440-02-CHT

TOILET  
 464 147421-04-CHT  
 644 160815-03-CHT

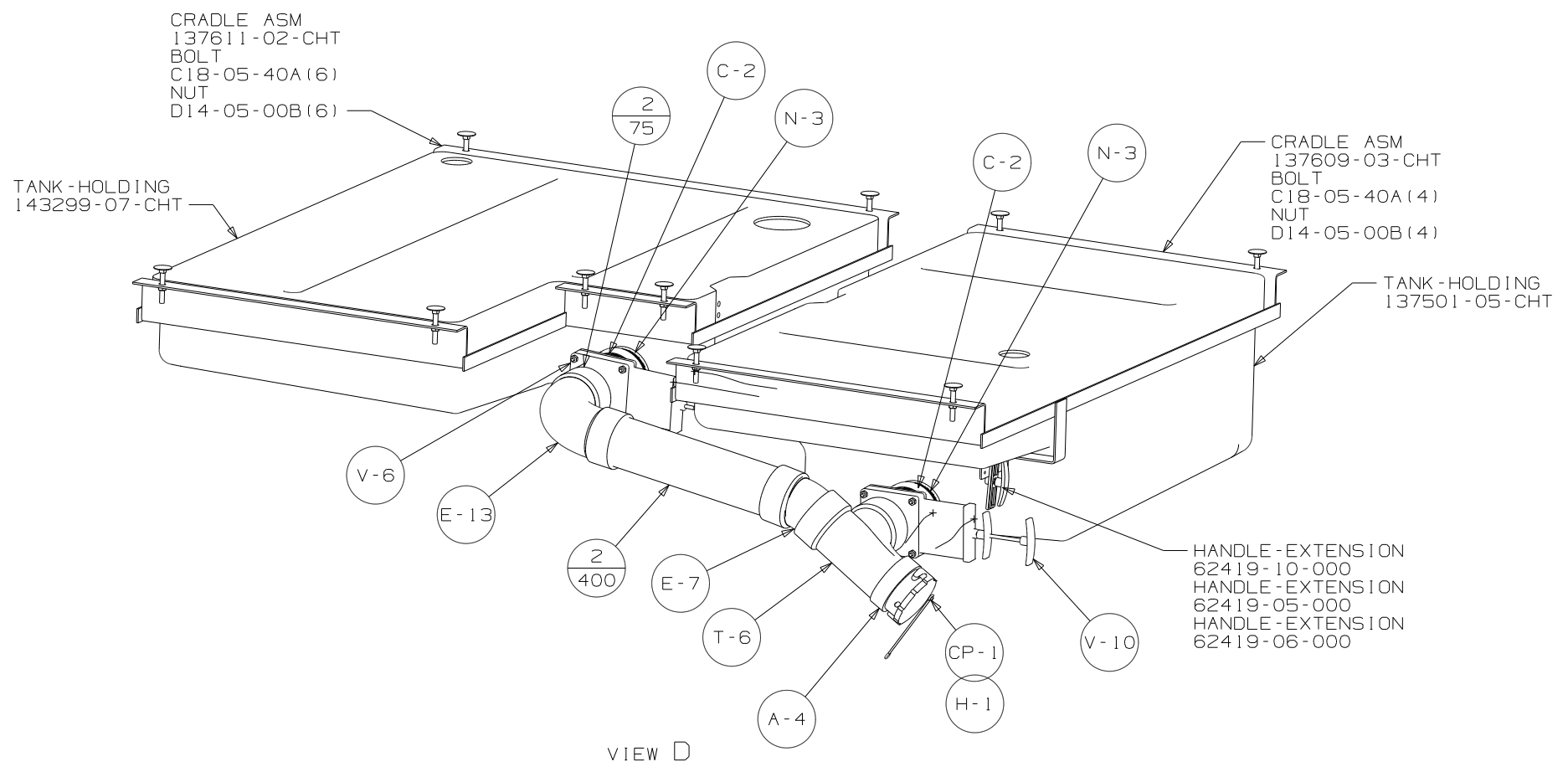
BRACKET-PIPE, VENT  
 136878-01-CHT

BRACKET-PIPE, VENT  
 136878-01-CHT

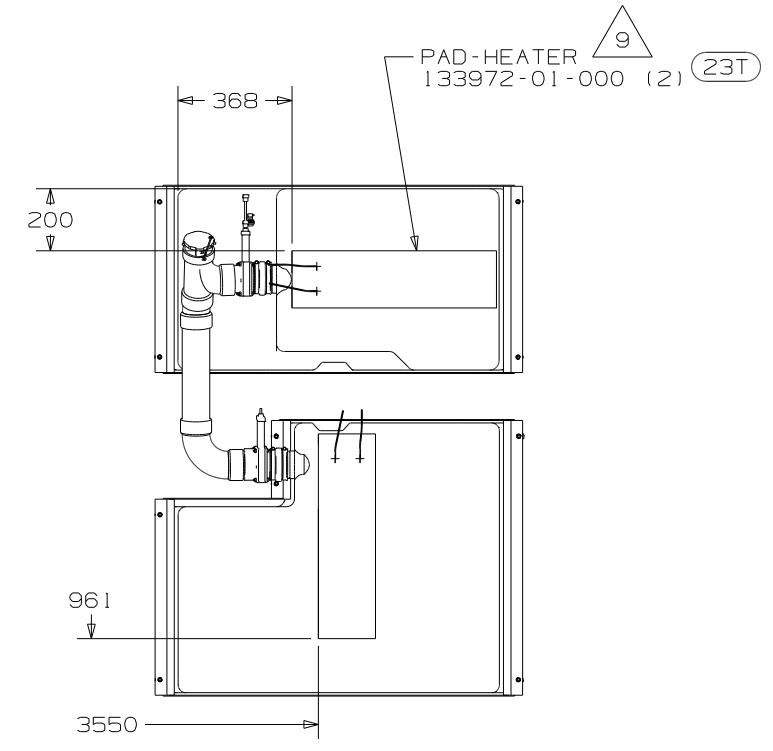
FIRST USED	07 222B
DO NOT SCALE DRAWING	
TITLE	DRAINAGE SYSTEM INSTL
SHEET 2	PART NO 159785 REV



VIEW C

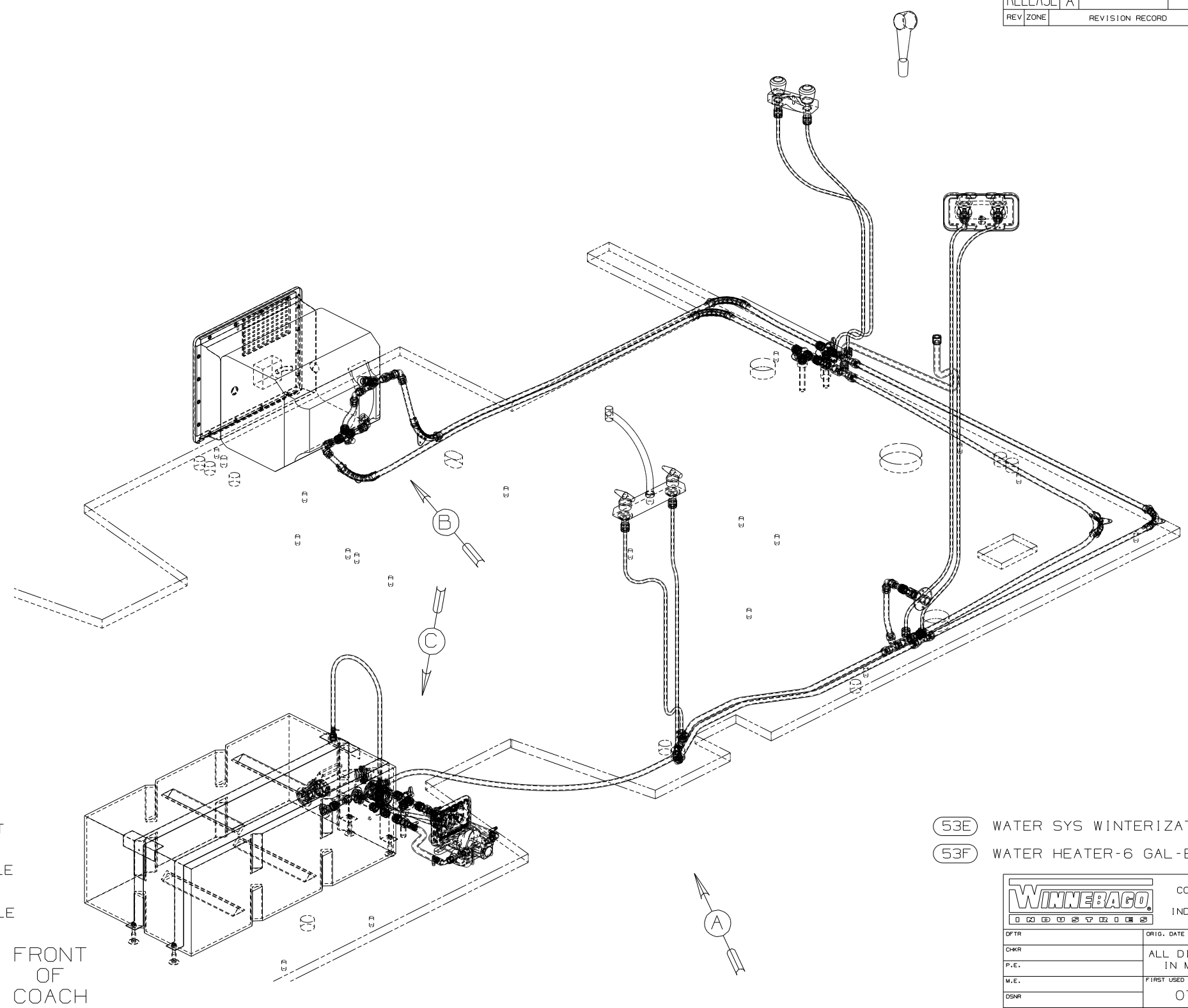


VIEW D



VIEW E

FIRST USED	07 222B		
TITLE	DO NOT SCALE DRAWING		
	DRAINAGE SYSTEM INSTL		
SHEET 3	PART NO	159785	REV



- NOTES:
- 1. PLASTIC FITTINGS TO BE SEALED WITH SEALANT 84456-01-000.
  - 2. TUBING TO BE INSTALLED WITH SUFFICIENT SLOPE TO PROVIDE DRAINAGE TO NEAREST VALVE.
  - 3. ALL TUBING TO BE SECURED AT 1200 INTERVALS MAXIMUM WITH CLAMP 10495-01-000 OR EQUIVALENT.
  - 4. ADD TEFLON TAPE 10405-02-000.
  - 5. ADD TEFLON TAPE 10405-03-000.
  - 6. ADD TEFLON TAPE 10405-01-000.
  - 7. ATTACH WASHER-PLASTIC 87080-11-CHT WITH TAPE-DOUBLE 123816-03-000 ON BOTTOM SIDE OF COMPARTMENT.
  - 8. ATTACH WASHER-PLASTIC 87080-13-CHT WITH TAPE-DOUBLE 123816-03-000 ON BOTTOM SIDE OF FLOOR.
  - 9. TAPE FITTING TO TUBE BEFORE CABINET SET TO PREVENT FITTING FROM MOVING.
  - 10. LABEL THE HOT AND COLD SUPPLY TUBES.
  - 11. ADD PIPE WRAP (LADDER SCRAP) INSULATION HERE .

FRONT  
OF  
COACH

- 53E WATER SYS WINTERIZATION PKG
- 53F WATER HEATER-6 GAL-ELEC IGN

X-X  
FOR  
WATER  
CALLOUTS  
SEE DWG NO  
116230-01-000

<b>WINNEBAGO</b>		COPYRIGHT 2006 WINNEBAGO INDUSTRIES, INC.	
DFT	ORIG. DATE	ALL DIMENSIONS ARE IN MILLIMETERS	
CHKR		FIRST USED	
P.E.		07 222B	
M.E.		UNSPECIFIED TOLERANCES ARE:	
DSNR		MATERIAL:	
		WHOLE DIM (X)	: 3
		ONE-PLACE (X.X)	:
		TWO-PLACE (X.XX)	:
		ANGLE	:
THIRD ANGLE PROJECTION		DO NOT SCALE DRAWING	
TITLE: WATER SYSTEM INSTL			
SHEET 1 OF 3	PART NO	REV	
	159784		



