



DANGER

Danger of electrical shock, burns or death. Always remove all power sources before attempting any repair, service or diagnostic work. Power can be present from shore power, generator, inverter or battery. All power sources must be disabled and secured before performing any service.

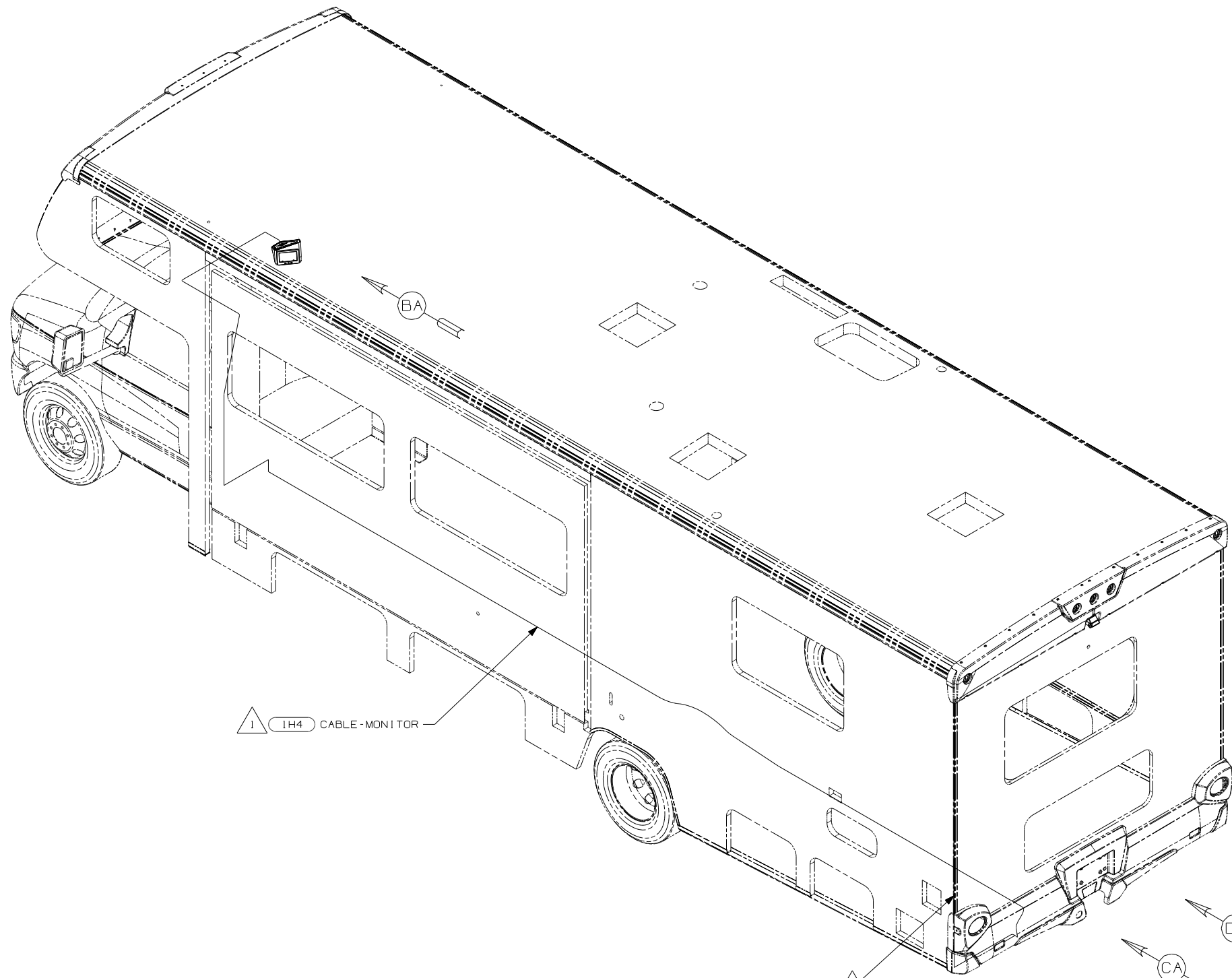


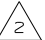

CAUTION

If you lack the skills, tools or equipment to perform diagnostic or repair work leave such work to an authorized Winnebago Industries dealer or other qualified shop.

8 7 6 5 4 3 2


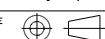
RELEASE	REV DATE	DWG NO
A		156332
REV ZONE	REVISION RECORD	DATE DFR-ORIG




-  WIRE ROUTED IN RECESSED AREA BETWEEN SIDEWALL AND BACKWALL.
-  REAR MONITOR CAMERA CABLE IS PART OF WIRE ASM-CHASSIS AND RUNS ALONG LEFT FRAME RAIL.

NOTES:

-  1H4 REARVIEW MONITOR-WIRE PREP
-  265 CODES/STANDARDS-CSA/CMVSS
-  1B1 CODES/STANDARDS USA

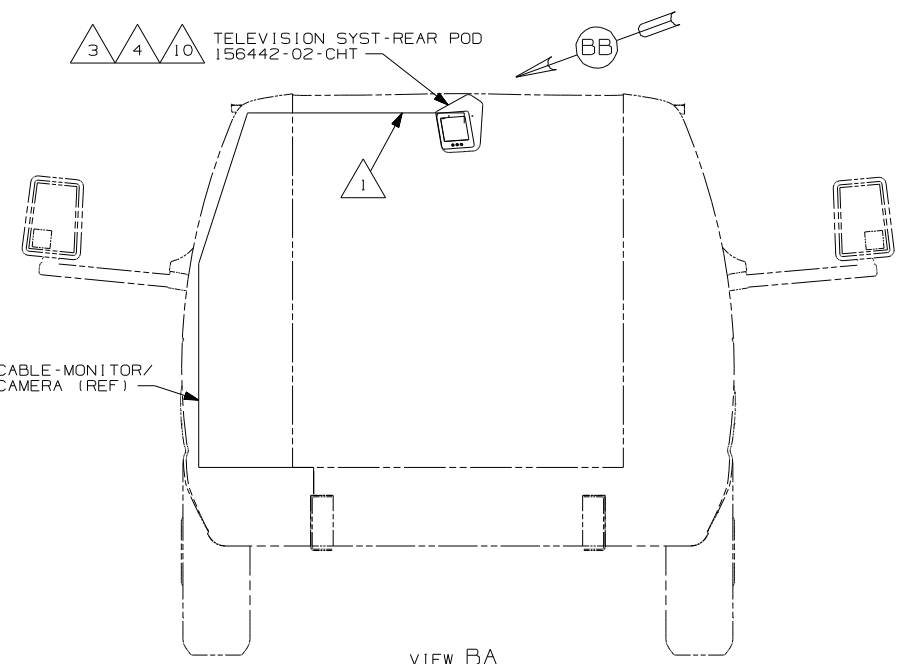
		COPYRIGHT 2006 WINNEBAGO INDUSTRIES, INC.	
DFTR	ORIG. DATE		
CHKR	P.E.	ALL DIMENSIONS ARE IN MILLIMETERS	
M.E.	DSNR	FIRST USED 07 C-BODIES	
UNSPECIFIED TOLERANCES ARE:		MATERIAL:	
WHOLE DIM (X)	: 3		
ONE-PLACE (X.X)	: 1.5		
TWO-PLACE (X.XX)	: 0.50		
ANGLE	: 1°		
THIRD ANGLE PROJECTION			

FOR ELECTRICAL
TORQUE
SPECIFICATIONS
SEE DWG NO.
128783-01-000

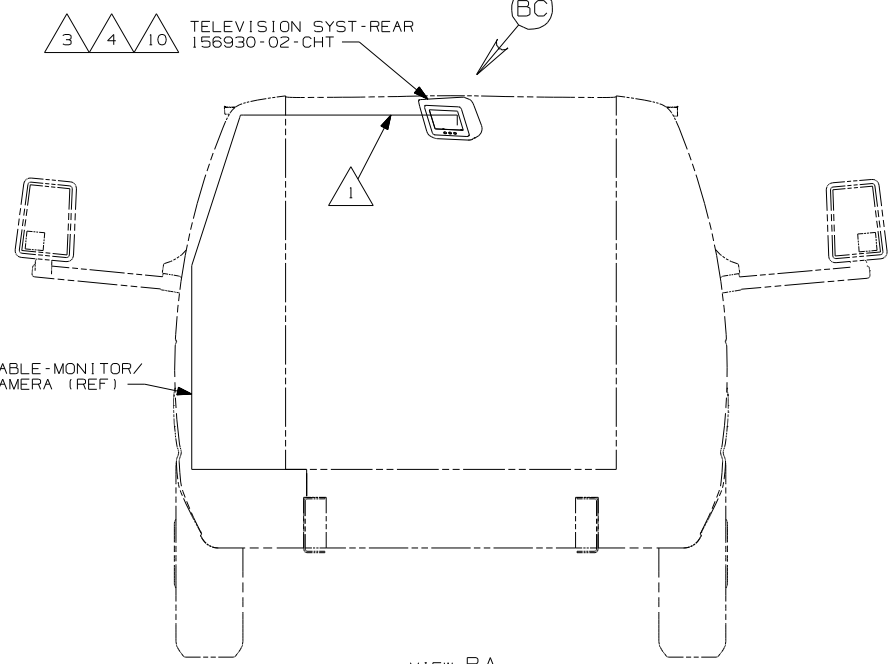
 FOR
ELECTRICAL
CALLOUTS
SEE DWG NO.
121339-01-000

DO NOT SCALE DRAWING			
TITLE: MONITOR INSTL			
SHEET 1 of 4	PART NO	156332	REV
REF:	1 5/15/2007		

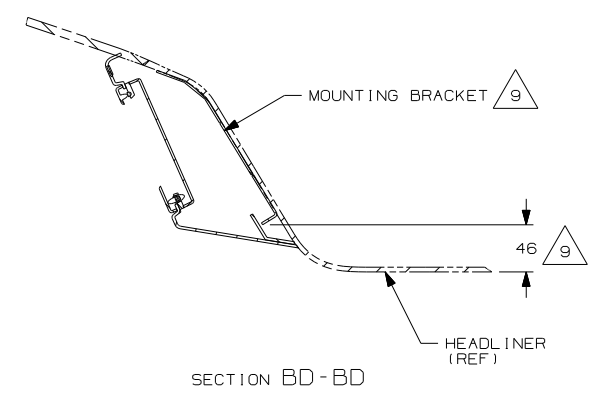
8 7 6 5 4 3 2



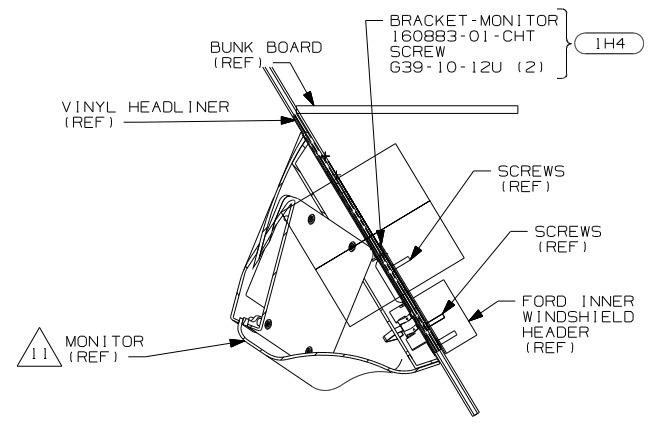
VIEW BA
(200, 300, & 700 SERIES)
74B 16B 16C 16E



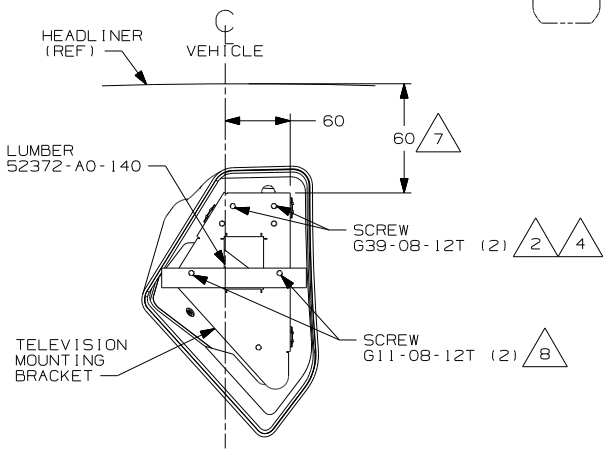
VIEW BA
(200, 300, & 700 SERIES)
74B 1PY



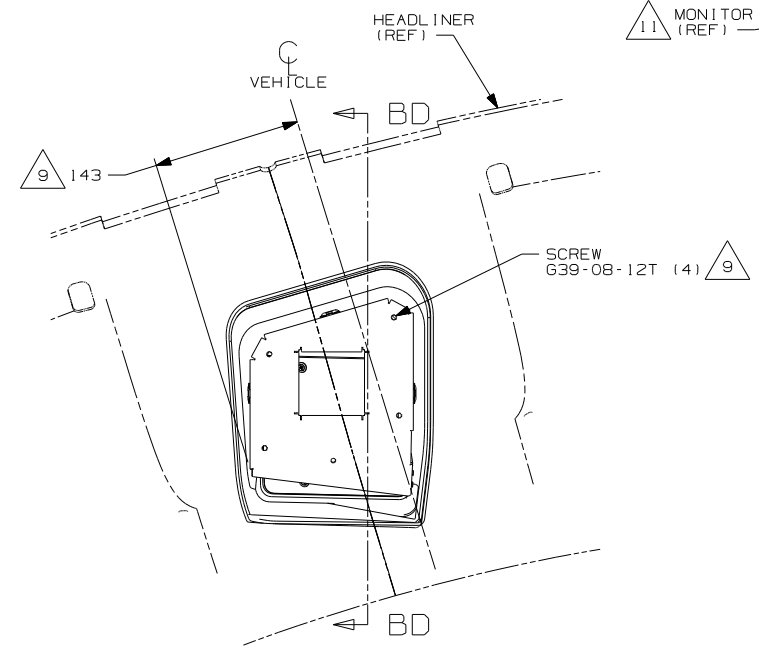
SECTION BD-BD



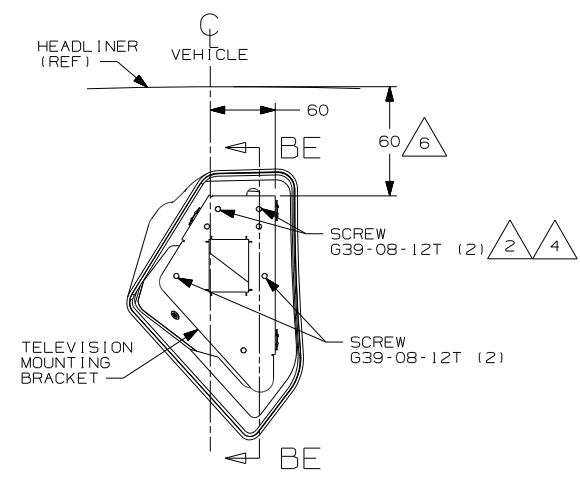
SECTION BE-BE



VIEW BB
(700 SERIES)
74B 16B 16C 16E



VIEW BC
(200, 300, & 700 SERIES)
74B 1PY



VIEW BB
(200 & 300 SERIES)
74B 16B 16C 16E

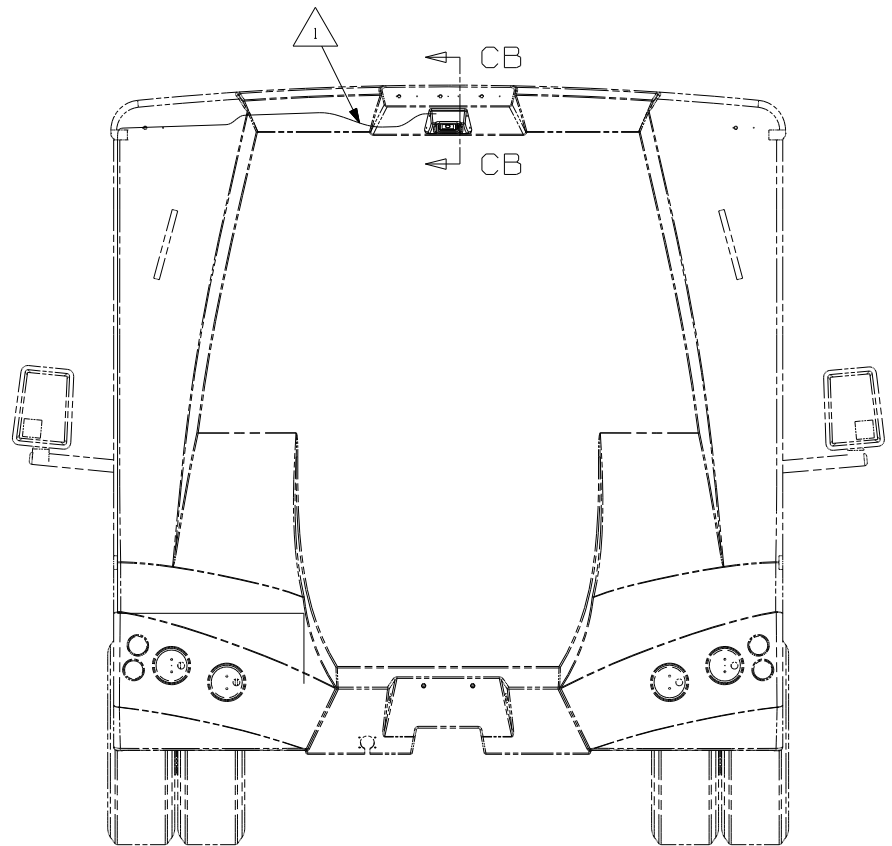
- NOTES:
- 11 MOUNT MONITOR AS CLOSE TO BOTTOM OF BUNK BOARD AS POSSIBLE.
 - 10 SNAP MONITOR ONTO MOUNTING BRACKET.
 - 9 ASSEMBLE MOUNTING BRACKET TO HEADLINER PRIOR TO HEADLINER INSTL PLACE MOUNTING PLATE ON BACK SIDE OF HEADLINER AND PLACE MOUNTING BRACKET ON FRONT SIDE OF HEADLINER. SCREW THROUGH HEADLINER INTO MOUNTING PLATE.
 - 8 ASSEMBLE MOUNTING BRACKET TO HEADLINER PRIOR TO HEADLINER INSTALLATION. PLACE LUMBER ON BACK SIDE OF HEADLINER AND PLACE MOUNTING BRACKET ON FRONT SIDE OF HEADLINER. SCREW THROUGH HEADLINER INTO LUMBER.
 - 7 INSTALL MOUNTING BRACKET 55MM FROM EDGE OF HEADLINER ON 700-SER.
 - 6 INSTALL MOUNTING BRACKET 20MM FROM EDGE OF HEADLINER ON 300-SER.
 - 5 REAR MONITOR CABLE IS PART OF THE WIRE ASM-CHASSIS AND IS TO END BETWEEN SUNVISORS.
 - 4 MONITOR BRACKET MOUNTING SCREWS TO BE SCREWED INTO FORD INNER WINDSHIELD HEADER AS FAR TO THE PASSENGER SIDE AS ALLOWED BY THE HOLE IN THE HEADER TRIM PANEL.
 - 3 PLUG 3-PIN POWER HARNESS AND REAR MONITOR CABLE INTO REAR MONITOR ASSEMBLY.
 - 2 SCREW INTO PLACE AFTER HEADLINER INSTALLATION.
 - 1 END CABLE IN THIS AREA WITH 1A5

- 1H4 REARVIEW MONITOR-WIRE PREP
- 74B REARVIEW MONITOR SYSTEM
- 16E FORD CHASSIS 14,050 LB.GVWR
- 16C FORD CHASSIS 11,500 LB.GVWR
- 16B FORD CHASSIS 10,700 LB.GVWR
- 1PY CHEVY CHASSIS 14,050 LB GVWR
- 1A5 REARVIEW MONITOR SYSTEM W/O
- 265 CODES/STANDARDS-CSA/CMVSS
- 1B1 CODES/STANDARDS USA

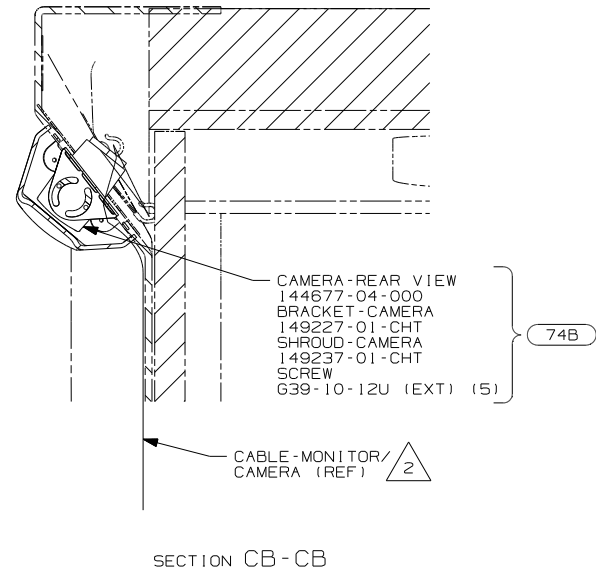
FOR ELECTRICAL TORQUE SPECIFICATIONS SEE DWG NO. 128783-01-000

X-X FOR ELECTRICAL CALLOUTS SEE DWG NO. 121339-01-000

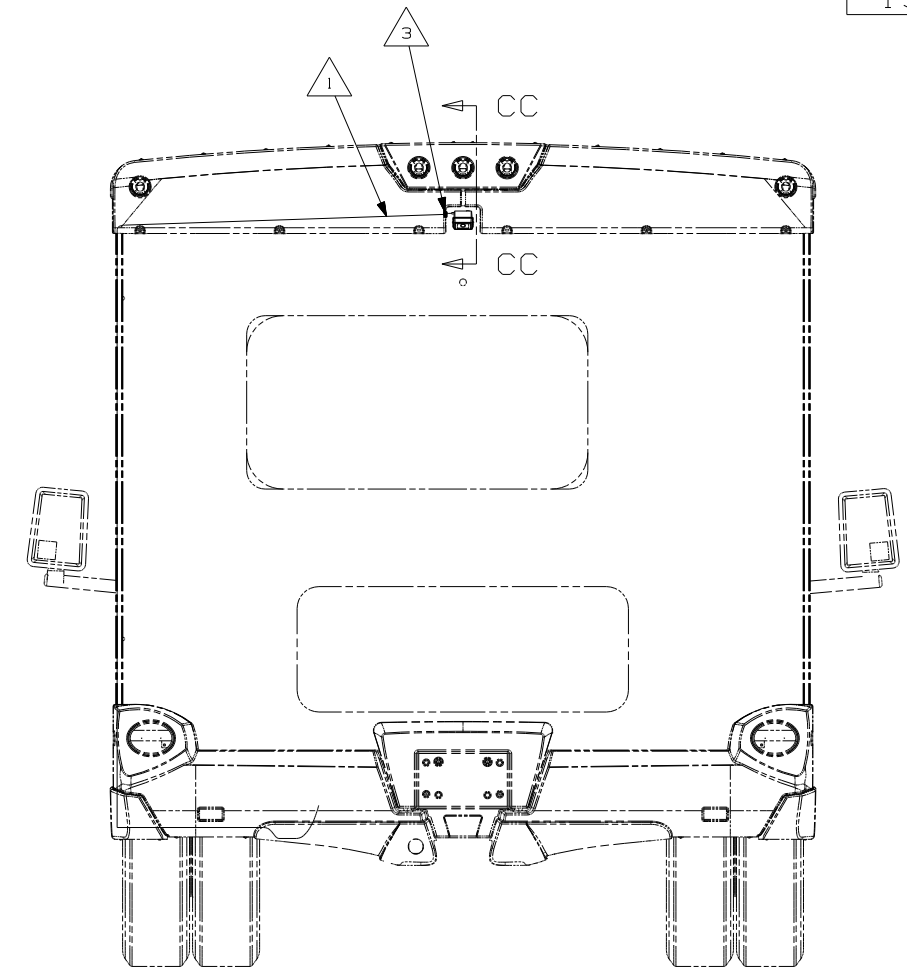
FIRST USED	
07 C-BODIES	
DO NOT SCALE DRAWING	
TITLE: MONITOR INSTL	
SHEET 2	PART NO 156332 REV



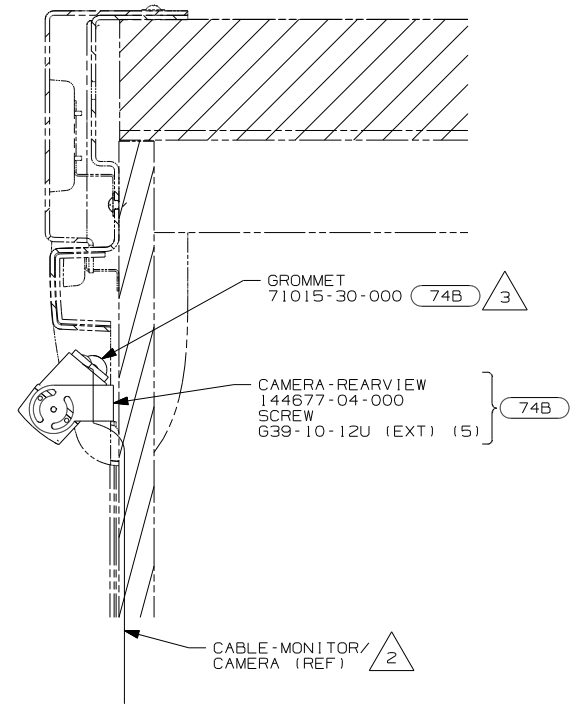
VIEW CA
(1700 SERIES)



SECTION CB-CB



VIEW CA
(300 SERIES)



SECTION CC-CC

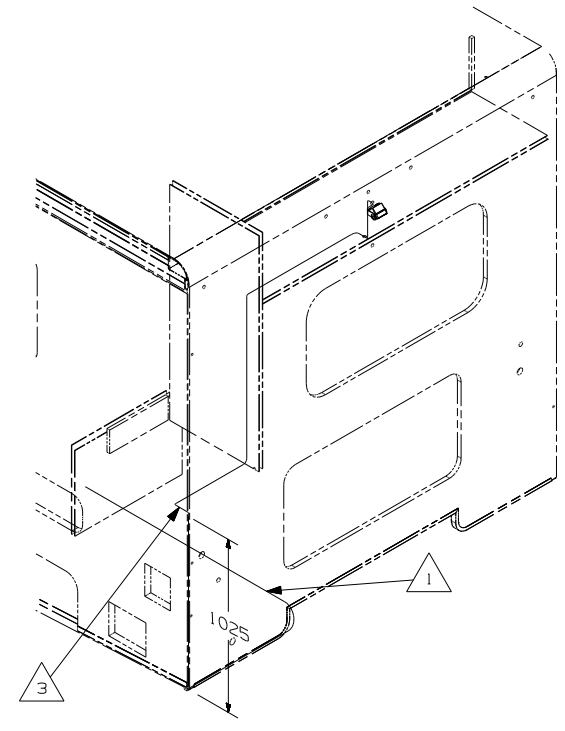
- NOTES:
- 3 DRILL Ø19MM HOLE THRU DIMPLE ON TRIM-BACKWALL, UPPER, LEFT AND INSTALL GROMMET WITH 74B
 - 2 REAR MONITOR CABLE IS PART OF THE WIRE ASM-CHASSIS.
 - 1 END CABLE IN THIS AREA WITH 1A5

- 74B REARVIEW MONITOR SYSTEM
- 1A5 REARVIEW MONITOR SYSTEM W/O
- 265 CODES/STANDARDS-CSA/CMVSS
- 1B1 CODES/STANDARDS USA

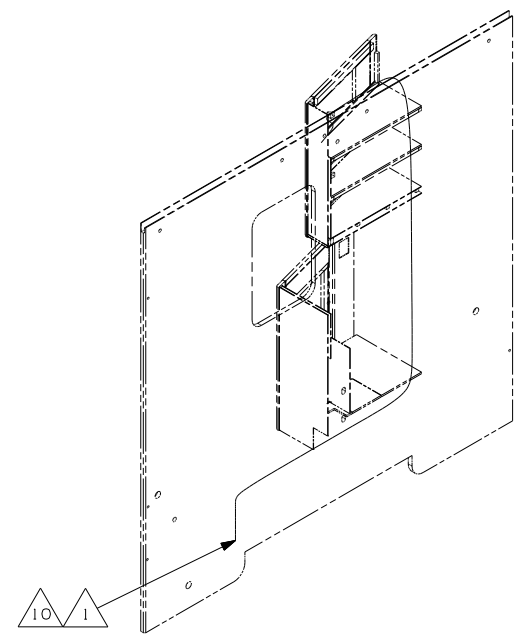
FOR ELECTRICAL TORQUE SPECIFICATIONS SEE DWG NO. 128783-01-000

FOR ELECTRICAL CALLOUTS SEE DWG NO. 121339-01-000

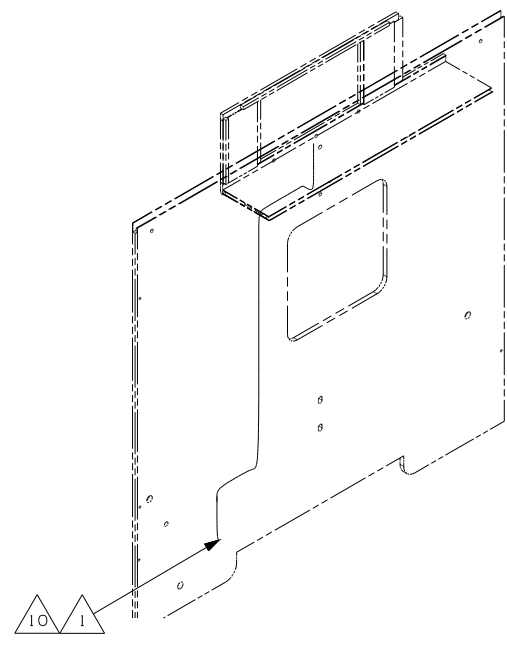
FIRST USED	07 C-BODIES
TITLE	DO NOT SCALE DRAWING
SHEET 3	MONITOR INSTL
PART NO	156332
REV	1 5/15/2007



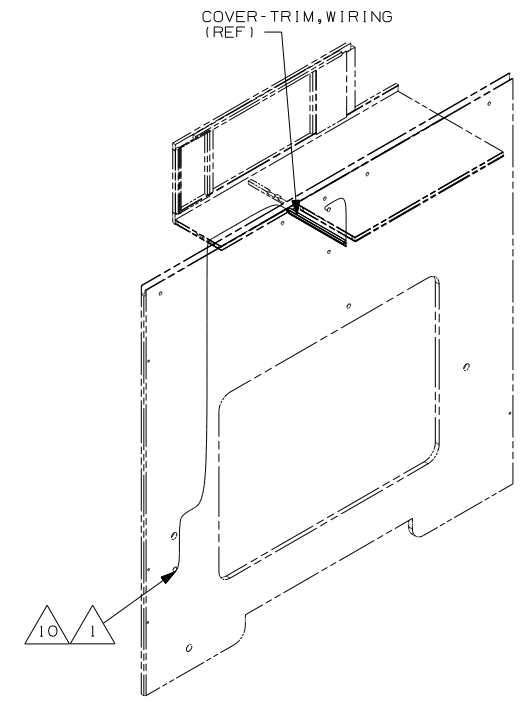
VIEW DC 6



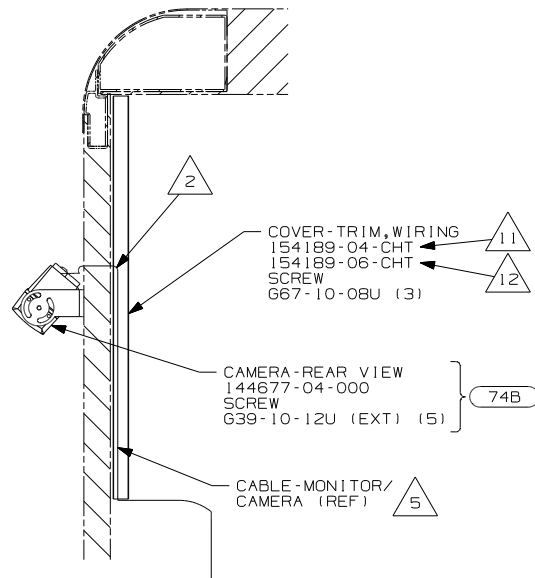
VIEW DD 7



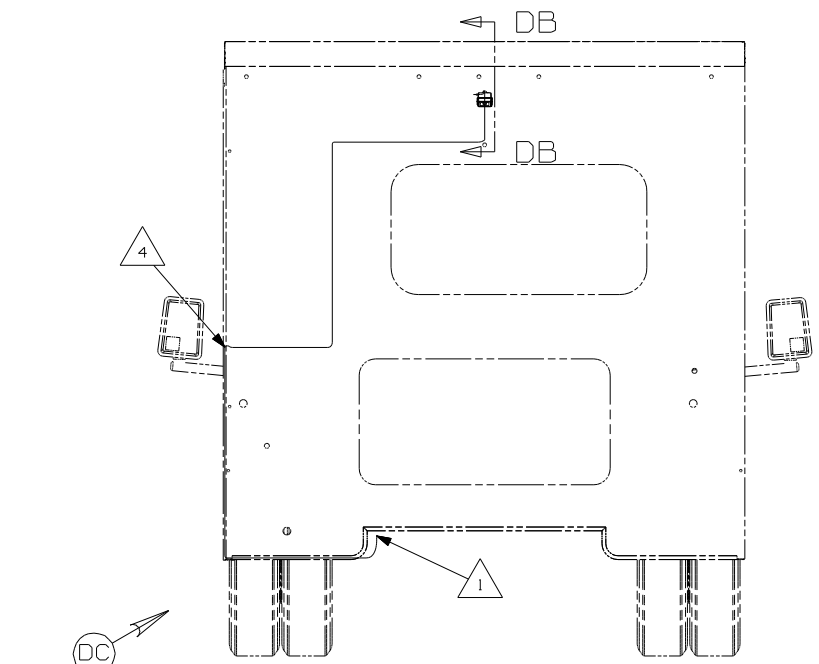
VIEW DE 8



VIEW DF 9



SECTION DB-DB



VIEW DA

- NOTES:
- 12 USED ONLY ON 224V.
 - 11 NOT USED ON 222B.
 - 10 WIRE ROUTED THROUGH FLOOR IN THIS AREA.
 - 9 VIEW DF COVERS THE 226A.
 - 8 VIEW DE COVERS THE 224V.
 - 7 VIEW DD COVERS THE 222B.
 - 6 VIEW DC COVERS THE 231C, 228P & 229T.
 - 5 REAR MONITOR CABLE IS PART OF THE WIRE ASM-CHASSIS.
 - 4 ROUTE CAMERA CABLE THRU BACKWALL IN THIS AREA.
 - 3 DRILL Ø19MM HOLE THRU BACKWALL INTO BOTTOM OF WARDROBE CABINET FOR ROUTING OF CAMERA CABLE.
 - 2 CABLE ROUTED THRU BACKWALL.
 - 1 ALONG CHASSIS FRAME RAIL SECURE WITH WIRE TIE 8343-04-000.

FOR ELECTRICAL TORQUE SPECIFICATIONS SEE DWG NO. 128783-01-000

FOR ELECTRICAL CALLOUTS SEE DWG NO. 121339-01-000

- 74B REARVIEW MONITOR SYSTEM
- 1A5 REARVIEW MONITOR SYSTEM W/O
- 265 CODES/STANDARDS-CSA/CMVSS
- 1B1 CODES/STANDARDS USA

FIRST USED	07 C-BODIES	
TITLE:	DO NOT SCALE DRAWING	
	MONITOR INSTL	
SHEET 4	PART NO	156332
	REV	1