



DANGER

Danger of electrical shock, burns or death. Always remove all power sources before attempting any repair, service or diagnostic work. Power can be present from shore power, generator, inverter or battery. All power sources must be disabled and secured before performing any service.

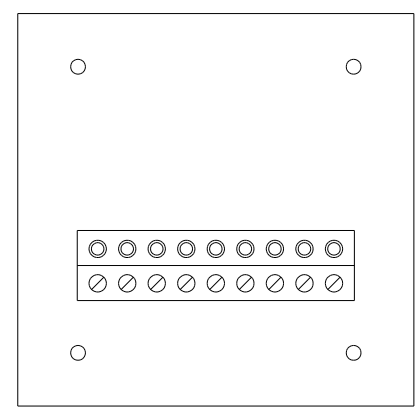
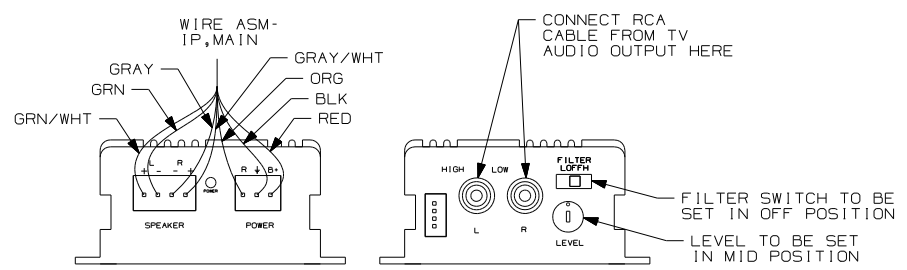
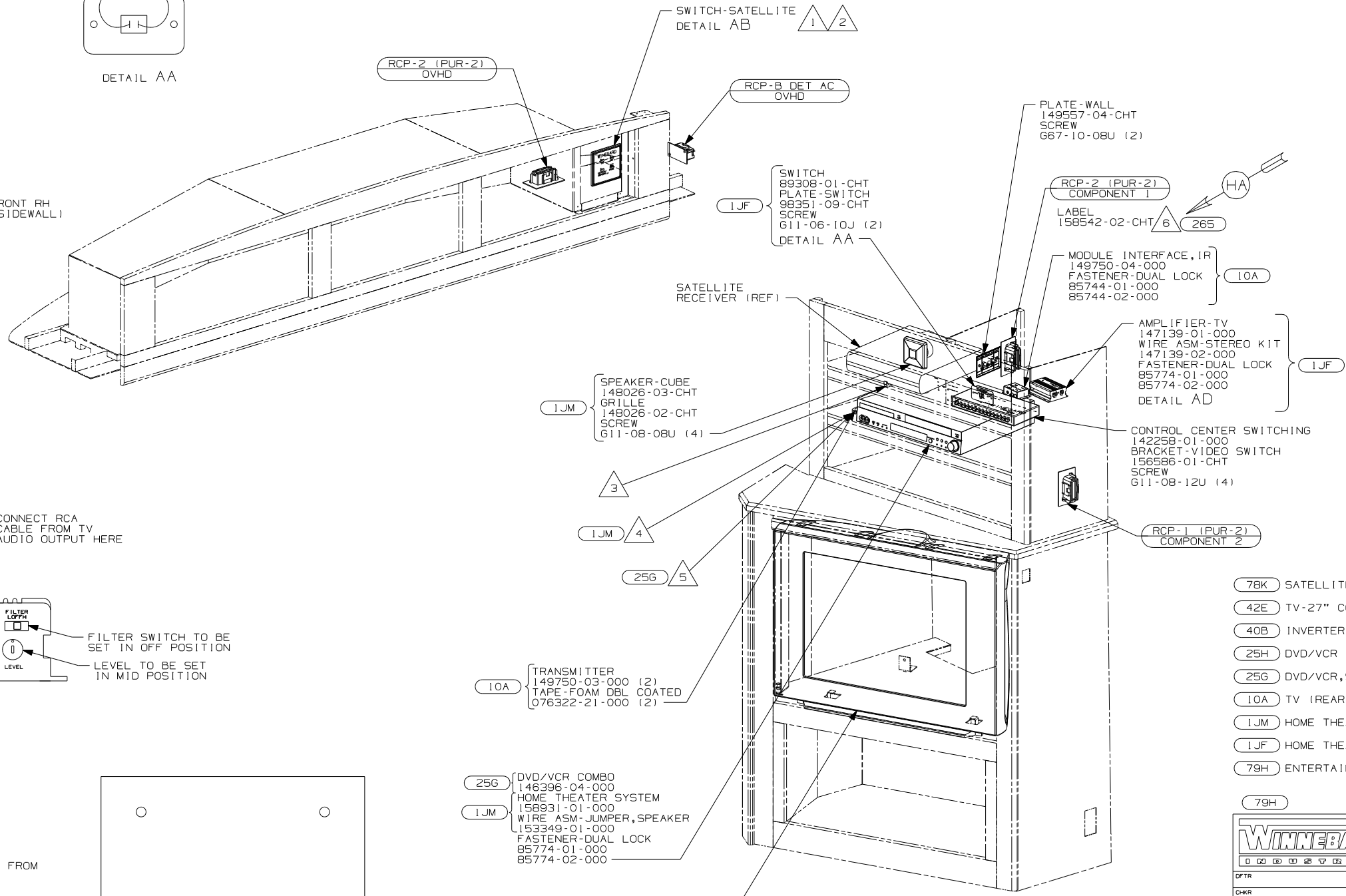
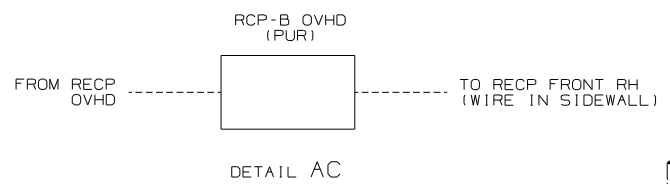
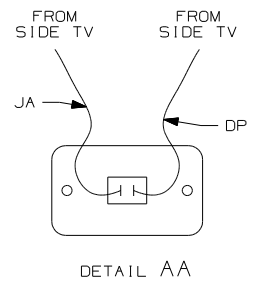


CAUTION

If you lack the skills, tools or equipment to perform diagnostic or repair work leave such work to an authorized Winnebago Industries dealer or other qualified shop.

DRAWING NO.	MODEL	SHEET
153031-01	F38J	1 & 8
153031-02	G37B	2 & 8
153031-03	G38J	3 & 8
153031-04	G38R	4 & 8
153031-05	G38T	5 & 8
153031-06	R40FD	6 & 8
153031-07	S40FD	7 & 8

RELEASE	REV/DATE	OWG NO	153031
REV ZONE	REVISION RECORD	DATE	DFTR-016



- (78K) SATELLITE DISH-AUTOMATIC
- (42E) TV-27" COLOR, STEREO W/REMOTE
- (40B) INVERTER-DC/AC, 300 WATT
- (25H) DVD/VCR - WITHOUT
- (25G) DVD/VCR, STEREO, W/REMOTE
- (10A) TV (REAR)-20" COLOR, STEREO
- (1JM) HOME THEATER SOUND SYSTEM
- (1JF) HOME THEATER SYS-WITHOUT
- (79H) ENTERTAINMENT CTR-INTERIOR

- △6 WITH (1JF) AND (25H).
- △5 POSITION TRANSMITTER UNDERNEATH DVD/VCR 260MM FROM LEFT SIDE OF DVD/VCR.
- △4 POSITION TRANSMITTER UNDERNEATH DVD/VCR, 170MM FROM RIGHT SIDE OF DVD/VCR WITH (25G), OR POSITION TRANSMITTER ON THE FRONT LEFT SIDE OF THE DVD/VCR USING TIE-MOUNT 155366-01-000 AND TIE-WIRE 8343-01-000 45MM UP FROM BOTTOM TO LINE UP WITH THE RECEIVER EYE WITH (1JM)
- △3 POSITION TRANSMITTER IN THE MIDDLE OF THE TOP SHELF OPENING.
- △2 SEE WIRING NISTL-BODY, 12V FOR ADDITIONAL INFORMATION.
- △1 SWITCH SUPPLIED WITH SATELLITE DISH.

F38J

WINNEBAGO COPYRIGHT 2006 WINNEBAGO INDUSTRIES, INC.

DFTR	ORIG. DATE
CHKR	ALL DIMENSIONS ARE IN MILLIMETERS
P.E.	FIRST USED
M.E.	06 A-BODIES
DSNR	

UNSPECIFIED TOLERANCES ARE: MATERIAL:

WHOLE DIM (X) :
ONE-PLACE (X.X) :
TWO-PLACE (X.XX) :
ANGLE :

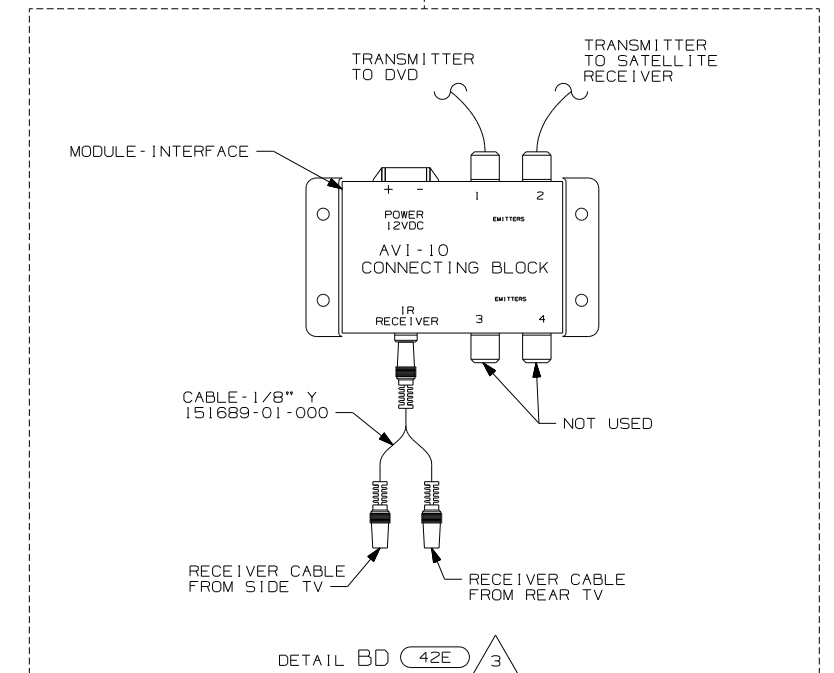
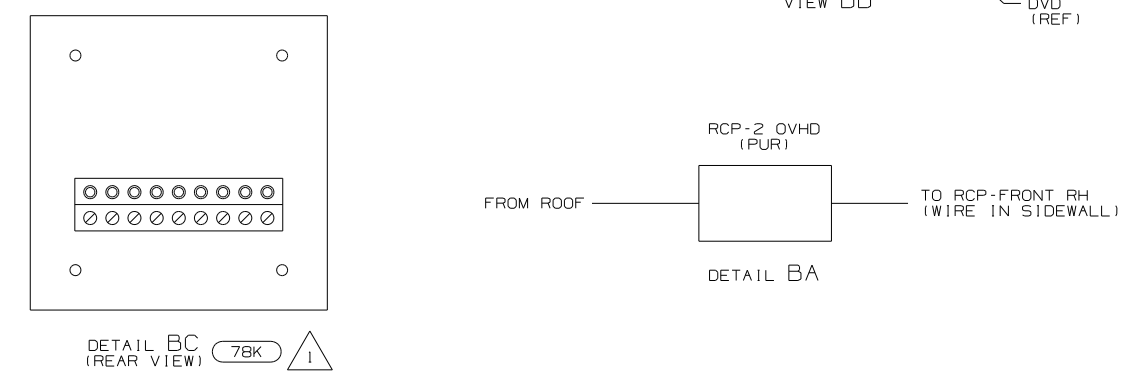
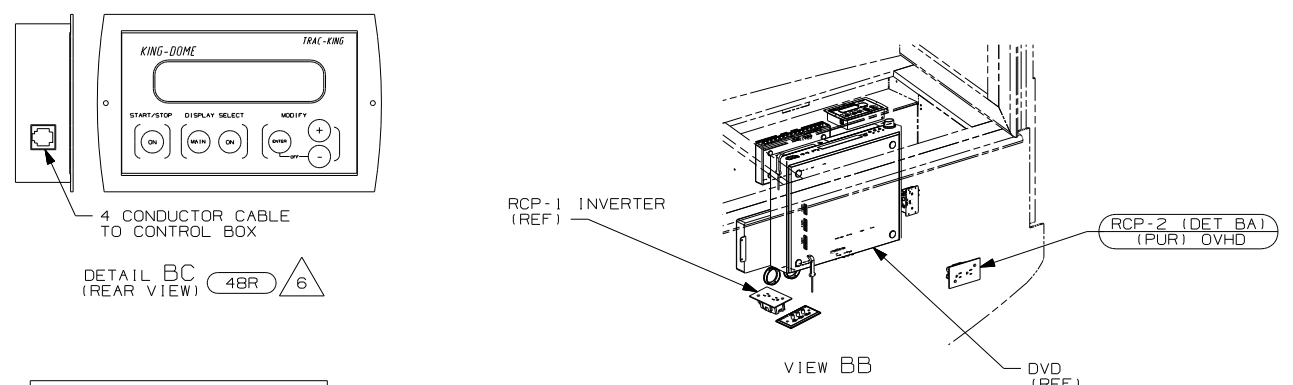
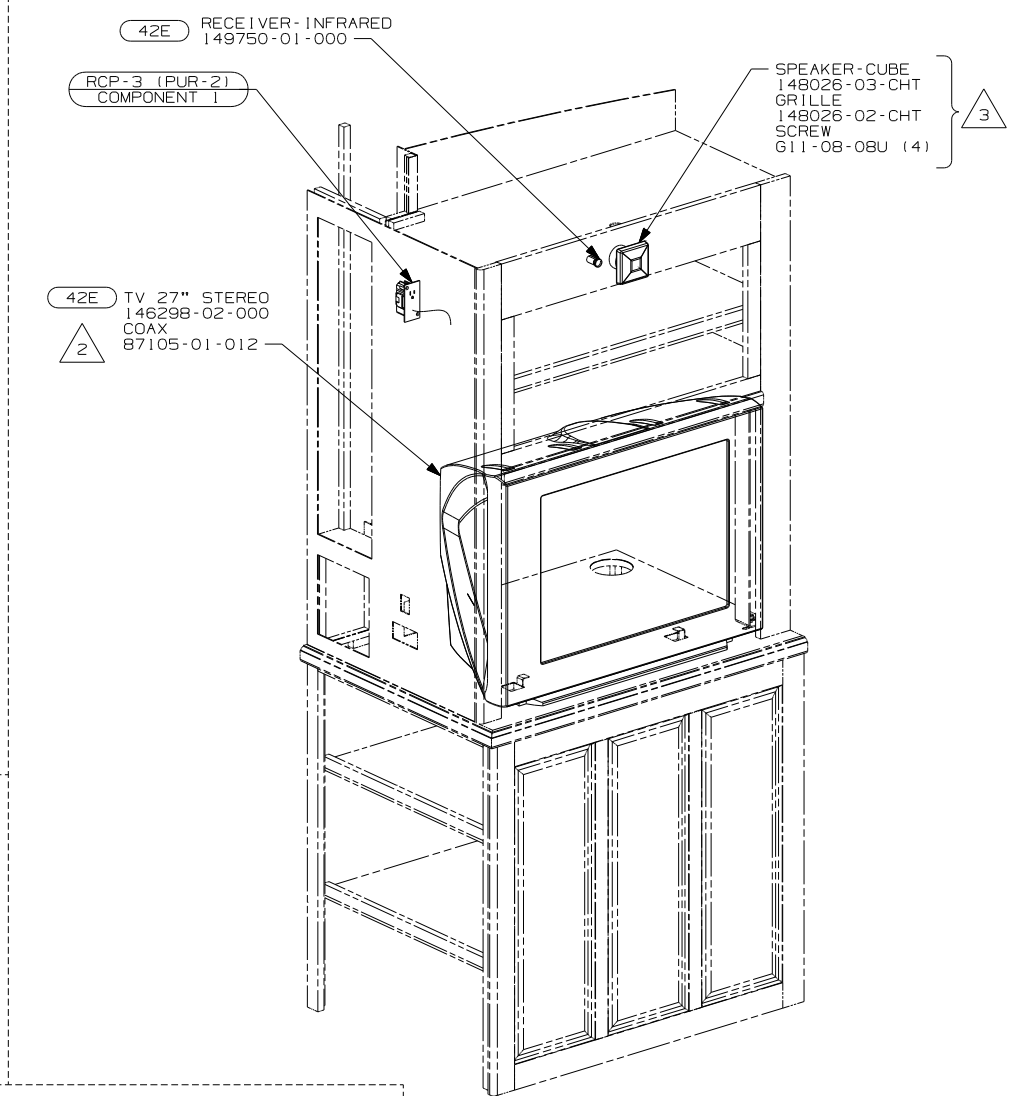
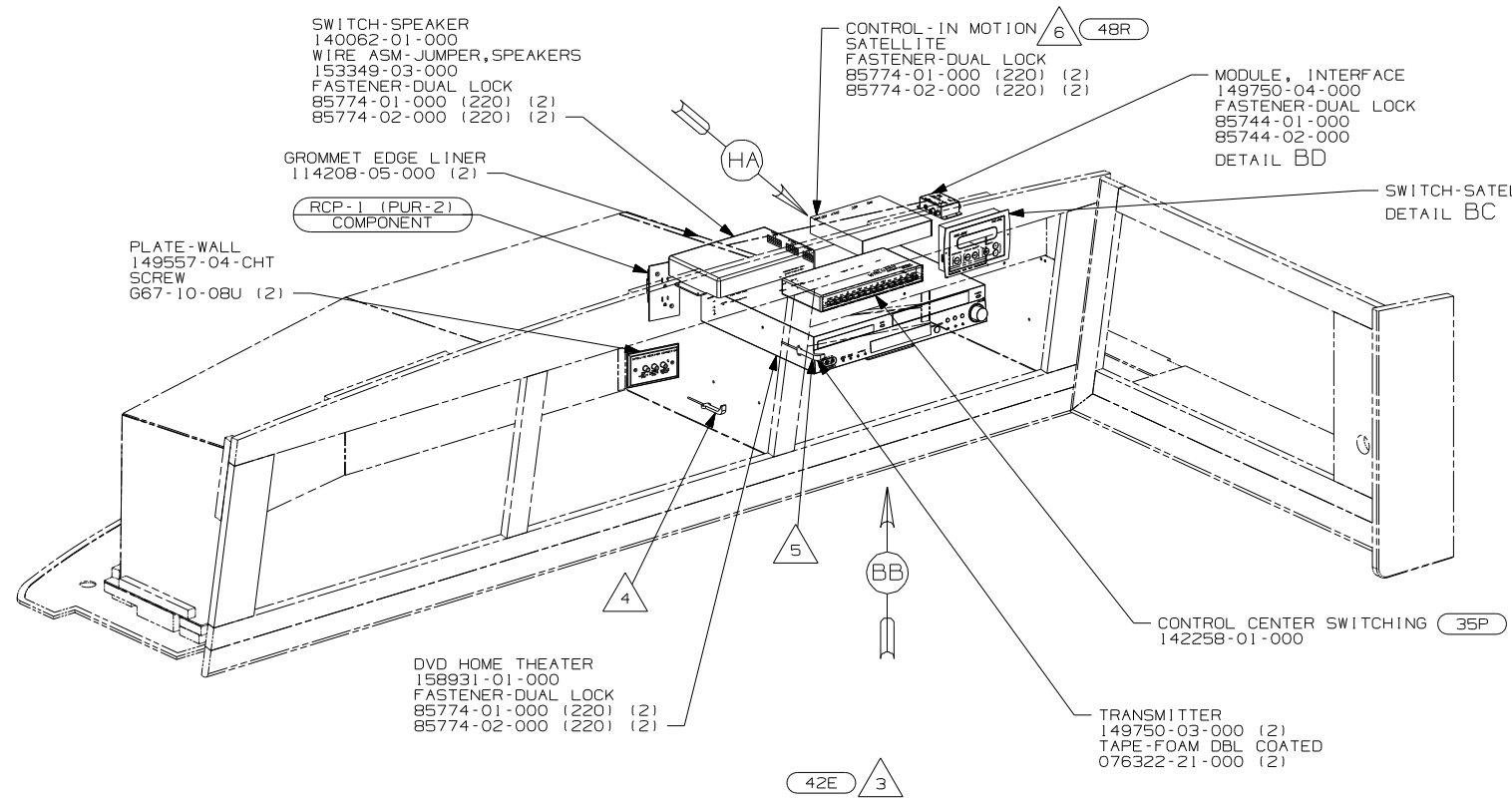
THIRD ANGLE PROJECTION

DO NOT SCALE DRAWING

TITLE:
WIRING INSTL-TV/DVD, SIDE

SHEET 1 OF 8 PART NO 153031 REV

REF: 1 6/15/2006



NOTES:

3 NOT USED IF OPTION (42N) IS USED WITH (42E). SEE WIRING INSTL-TV/DVD,FRONT FOR ADDITIONAL INFORMATION.

2 SEE WIRING INSTL-BODY,12V FOR ADDITIONAL INFORMATION.

1 SWITCH SUPPLIED WITH SATELLITE DISH.

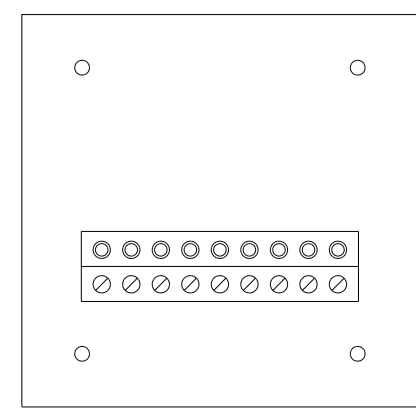
6 PARTS ARE SUPPLIED WITH SATELLITE KIT 154474-02-000

5 POSITION TRANSMITTER ON THE FRONT LEFT SIDE OF THE DVD/VCR USING TIE-MOUNT 155366-01-000 AND TIE-WIRE 8343-01-000 45MM UP FROM BOTTOM TO LINE UP WITH THE RECEIVER EYE

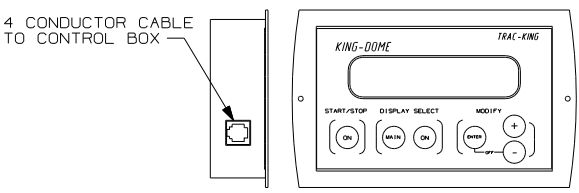
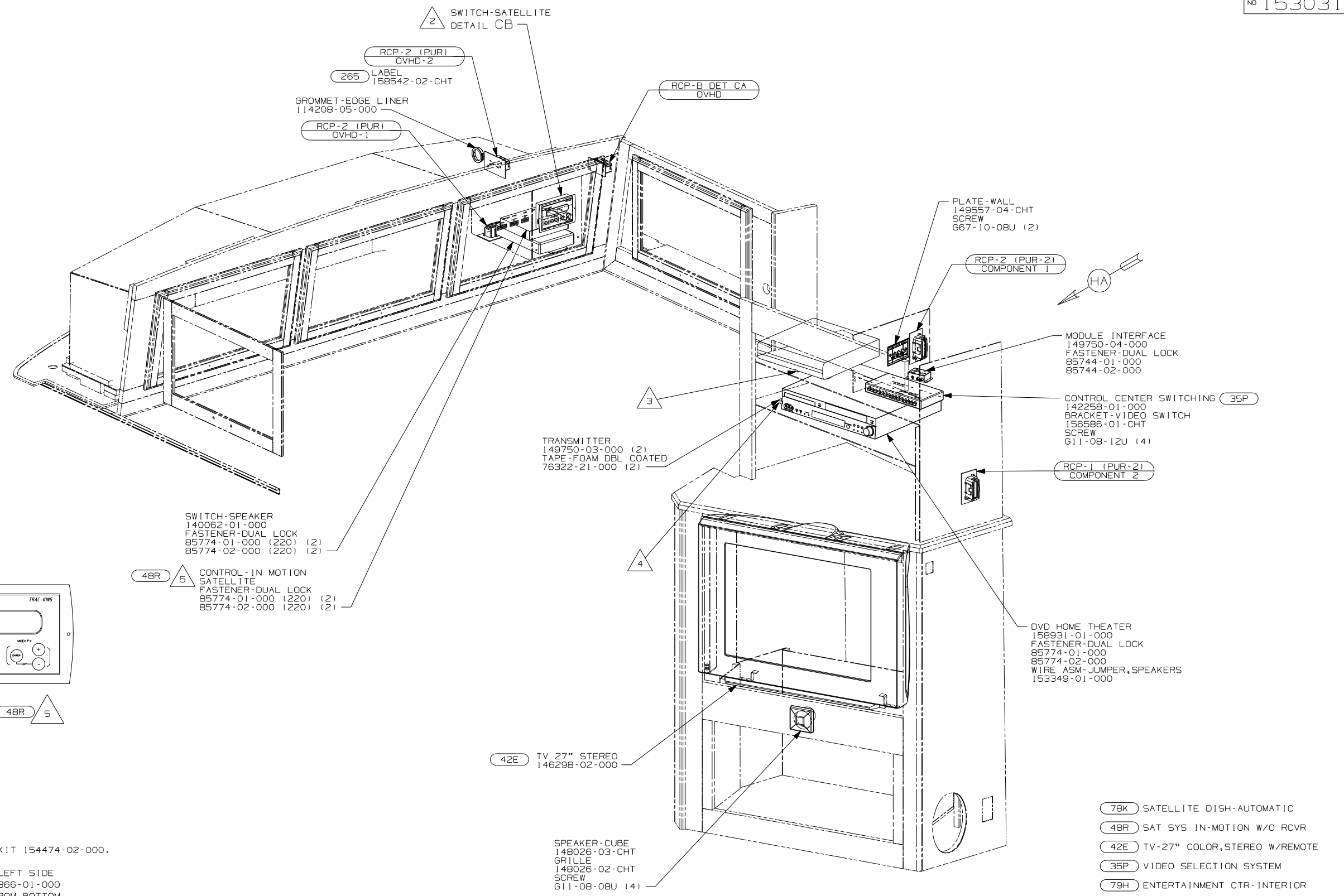
4 POSITION TRANSMITTER IN CORNER OF THE SHELF & COIL EXCESS WIRE FOR FUTURE USE.

- (78K) SATELLITE DISH-AUTOMATIC
- (48R) SAT SYS IN-MOTION W/O RCVR
- (42N) TV(FRONT)-27" COLOR STEREO
- (42E) TV-27" COLOR,STEREO W/REMOTE
- (35P) VIDEO SELECTION SYSTEM

FIRST USED		G37B	
06 A-BODIES			
DO NOT SCALE DRAWING			
TITLE: WIRING INSTL-TV/DVD,SIDE			
SHEET 2	PART NO	153031	REV

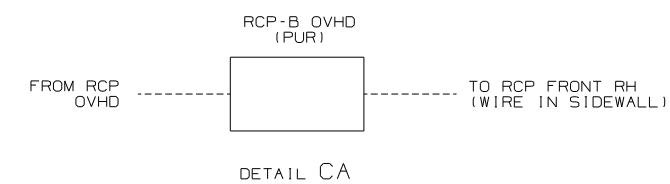


DETAIL CB (REAR VIEW) 78K 1



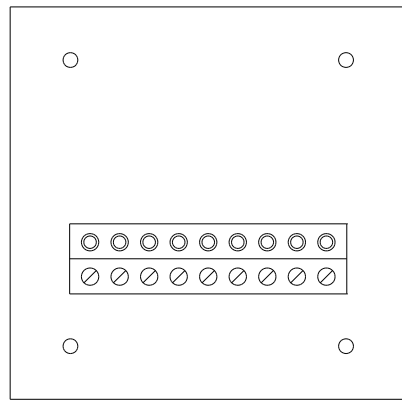
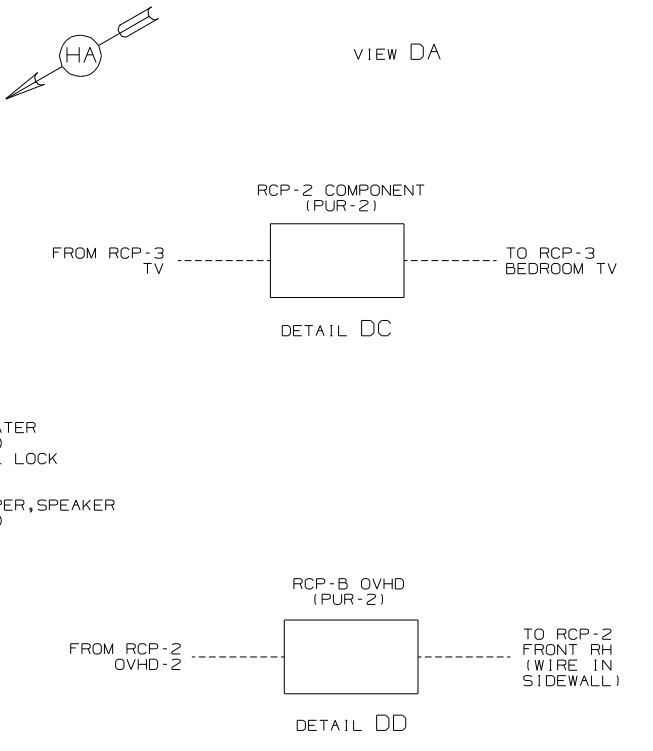
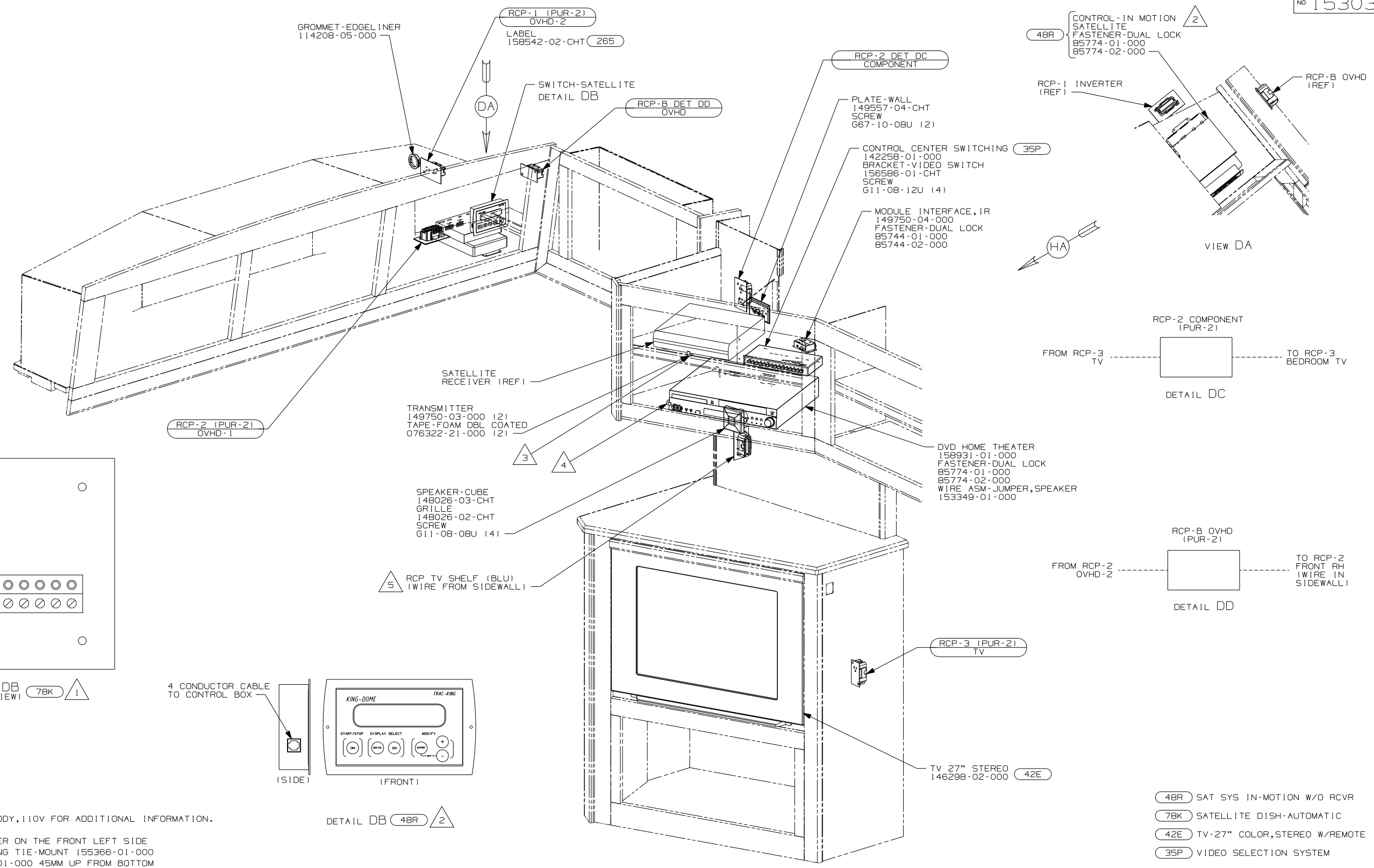
DETAIL CB 48R 5

- NOTES:
- 5 PARTS ARE SUPPLIED WITH SATELLITE KIT 154474-02-000.
 - 4 POSITION TRANSMITTER ON THE FRONT LEFT SIDE OF THE DVD/VCR USING TIE-MOUNT 155366-01-000 AND TIE-WIRE 8343-01-000 45MM UP FROM BOTTOM TO LINE UP WITH THE RECEIVER EYE.
 - 3 POSITION TRANSMITTER IN THE MIDDLE OF THE TOP SHELF OPENING.
 - 2 SEE WIRING INSTL-BODY,12V FOR ADDITIONAL INFORMATION.
 - 1 SWITCH SUPPLIED WITH SATELLITE DISH.

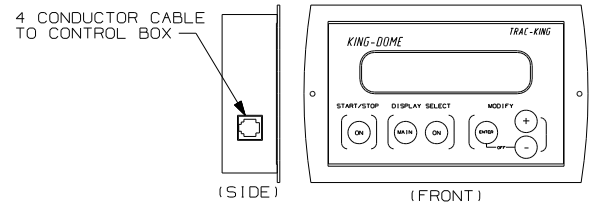


- 78K SATELLITE DISH-AUTOMATIC
- 48R SAT SYS IN-MOTION W/O RCVR
- 42E TV-27" COLOR, STEREO W/REMOTE
- 35P VIDEO SELECTION SYSTEM
- 79H ENTERTAINMENT CTR-INTERIOR

FIRST USED		G38J	
06 A-BODIES			
DO NOT SCALE DRAWING			
TITLE: WIRING INSTL-TV/DVD, SIDE			
SHEET 3	PART NO	153031	REV



DETAIL DB (REAR VIEW) 78K 1

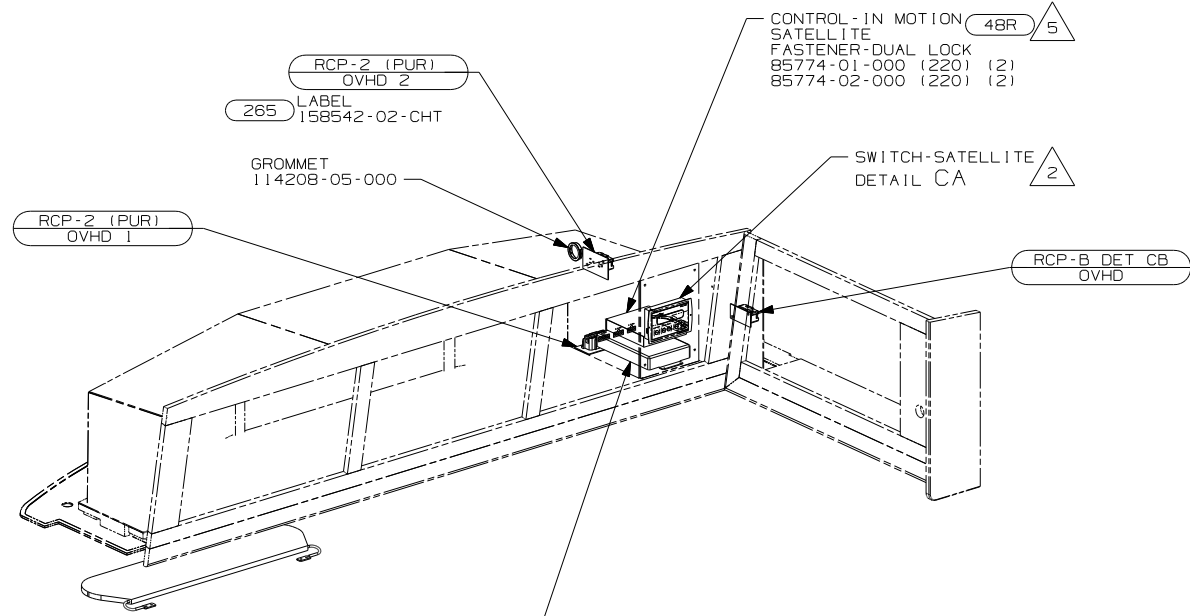


DETAIL DB 48R 2

- NOTES:
- 5 SEE WIRING INSTL-BODY,110V FOR ADDITIONAL INFORMATION.
 - 4 POSITION TRANSMITTER ON THE FRONT LEFT SIDE OF THE DVD/VCR USING TIE-MOUNT 155366-01-000 AND TIE-WIRE 8343-01-000 45MM UP FROM BOTTOM TO LINE UP WITH THE RECEIVER EYE.
 - 3 POSITION TRANSMITTER IN THE MIDDLE OF THE TOP SHELF OPENING.
 - 2 PARTS ARE SUPPLIED WITH SATELLITE KIT 154474-02-000.
 - 1 SWITCH SUPPLIED WITH SATELLITE DISH.

- 48R SAT SYS IN-MOTION W/O RCVR
- 78K SATELLITE DISH-AUTOMATIC
- 42E TV-27" COLOR,STEREO W/REMOTE
- 35P VIDEO SELECTION SYSTEM

FIRST USED		G38R	
06 A-BODIES			
DO NOT SCALE DRAWING			
TITLE: WIRING INSTL-TV/DVD,SIDE			
SHEET 4	PART NO	153031	REV



SWITCH-SPEAKER
140062-01-000
FASTENER-DUAL LOCK
85774-01-000 (220) (2)
85774-02-000 (220) (2)

TRANSMITTER
149750-03-000 (2)
TAPE-FOAM DBL COATED
076322-21-000 (2)

SPEAKER-CUBE
148026-03-CHT
GRILLE
148026-02-CHT
SCREW
G11-08-08U (4)

RCP-2 (PUR-2)
COMPONENT 1

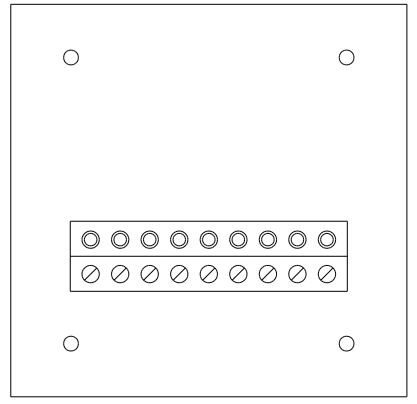
PLATE-WALL
149557-04-CHT
SCREW
G67-10-08U (2)

MODULE INTERFACE
149750-04-000
FASTENER-DUAL LOCK
85744-01-000
85744-02-000

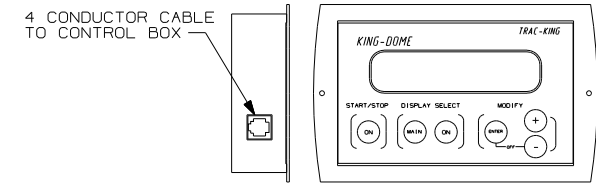
CONTROL CENTER SWITCHING (35P)
142258-01-000
BRACKET-VIDEO SWITCH
156586-01-CHT
SCREW
G11-08-12U (4)

RCP-1 (PUR-2)
COMPONENT 2

DVD HOME THEATER
158931-01-000
FASTENER-DUAL LOCK
85774-01-000
85774-02-000
WIRE ASM-JUMPER,SPEAKERS
153349-01-000

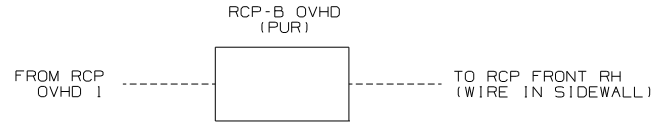


DETAIL CA (REAR VIEW) 78K 1



DETAIL CA 48R 5

42E TV 27" STEREO
146298-02-000



DETAIL CB

5 PARTS ARE SUPPLIED WITH SATELLITE KIT 154474-02-000.

4 POSITION TRANSMITTER ON THE FRONT LEFT SIDE OF THE DVD/VCR USING TIE-MOUNT 155366-01-000 AND TIE-WIRE 8343-01-000 45MM UP FROM BOTTOM TO LINE UP WITH THE RECEIVER EYE.

3 POSITION TRANSMITTER IN THE MIDDLE OF THE TOP SHELF OPENING.

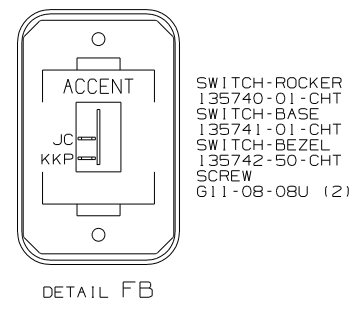
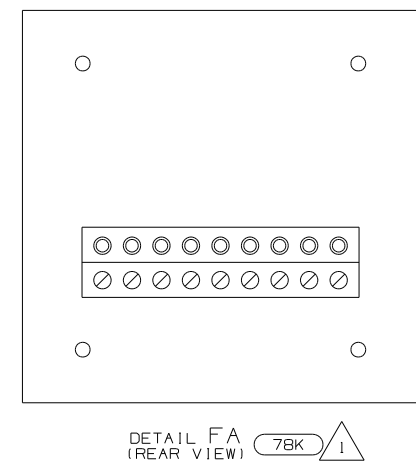
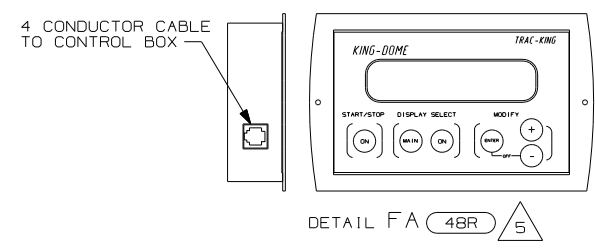
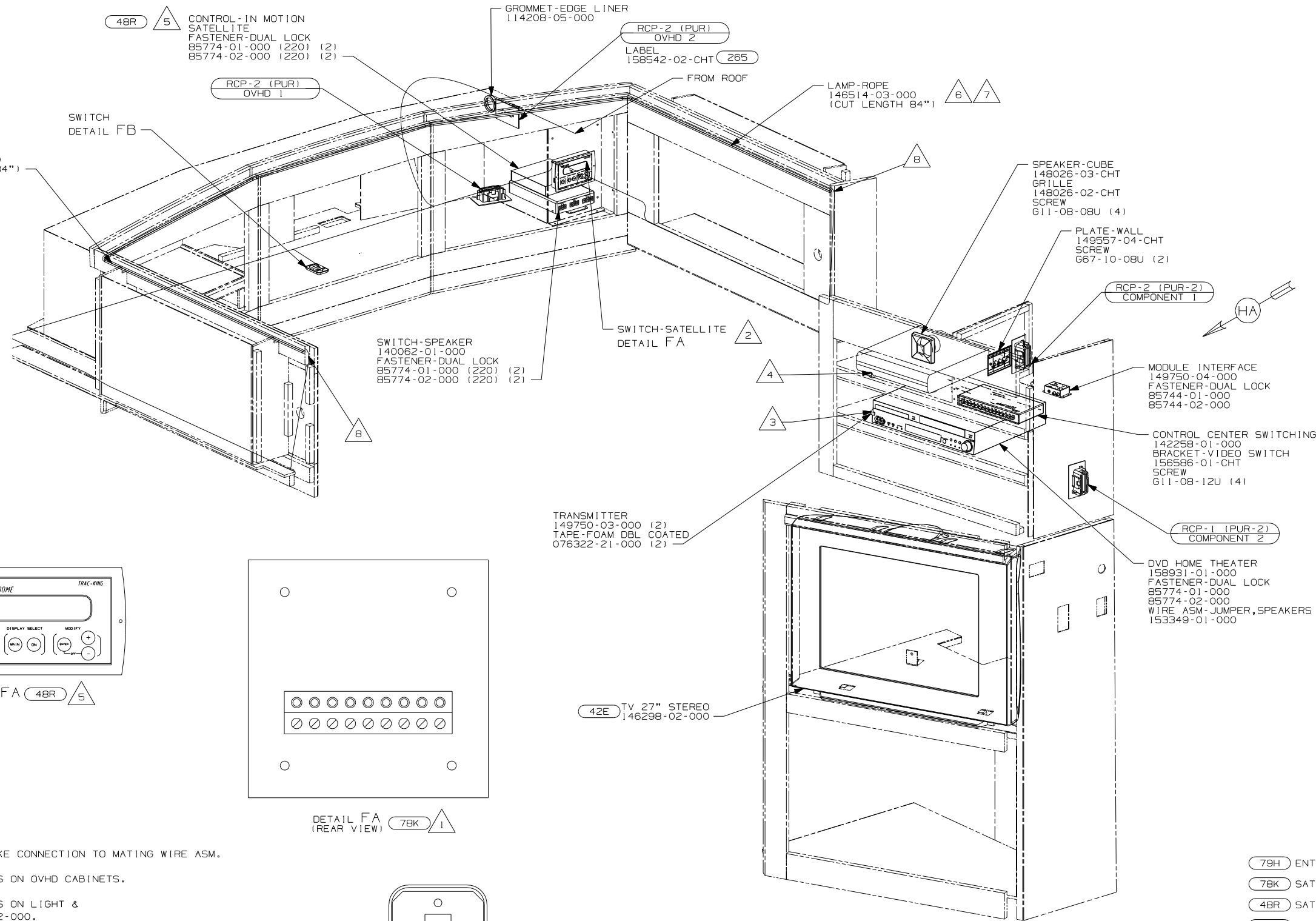
2 SEE WIRING INSTALLATION-BODY,12V FOR ADDITIONAL INFORMATION.

1 SWITCH SUPPLIED WITH SATELLITE DISH.

NOTES:

- 79H ENTERTAINMENT CTR-INTERIOR
- 78K SATELLITE DISH-AUTOMATIC
- 48R SAT SYS IN-MOTION W/O RCVR
- 42E TV-27" COLOR,STEREO W/REMOTE
- 35P VIDEO SELECTION SYSTEM
- 265 CODES/STANDARDS-CSA/CMVSS

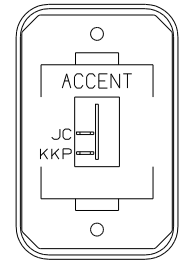
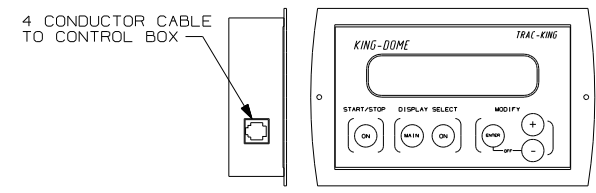
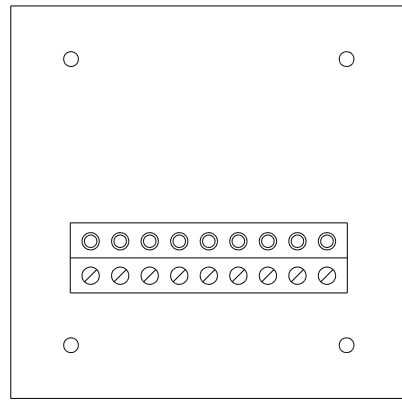
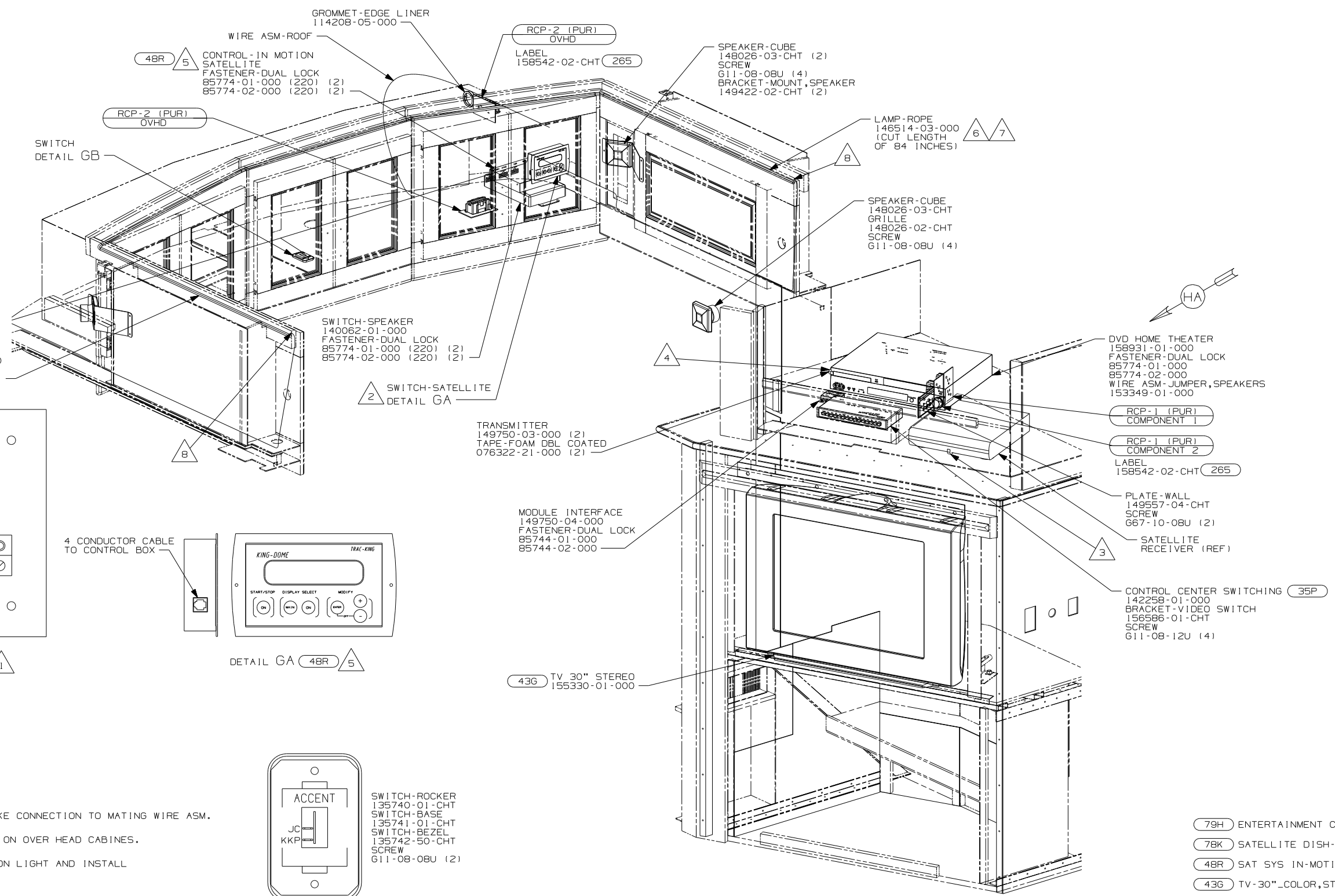
FIRST USED		G38T	
06 A-BODIES			
DO NOT SCALE DRAWING			
TITLE: WIRING INSTL-TV/DVD,SIDE			
SHEET 5	PART NO	153031	REV



- NOTES:
- (8) PLACE CONNECTOR HERE TO MAKE CONNECTION TO MATING WIRE ASM.
 - (7) SNAP ROPE LIGHT IN CHANNELS ON OVHD CABINETS.
 - (6) CUT ROPE LIGHT AT "X" MARKS ON LIGHT & INSTALL CONNECTOR 146514-02-000.
 - (5) PARTS ARE SUPPLIED WITH SATELLITE KIT 154474-02-000.
 - (4) POSITION TRANSMITTER ON THE FRONT LEFT SIDE OF THE DVD/VCR USING TIE-MOUNT 155366-01-000 AND TIE-WIRE 8343-01-000 45MM UP FROM BOTTOM TO LINE UP WITH THE RECEIVER EYE.
 - (3) POSITION TRANSMITTER IN THE MIDDLE OF THE TOP SHELF OPENING.
 - (2) SEE WIRING INSTALLATION-BODY,12V FOR ADDITIONAL INFORMATION.
 - (1) SWITCH SUPPLIED WITH SATELLITE DISH.

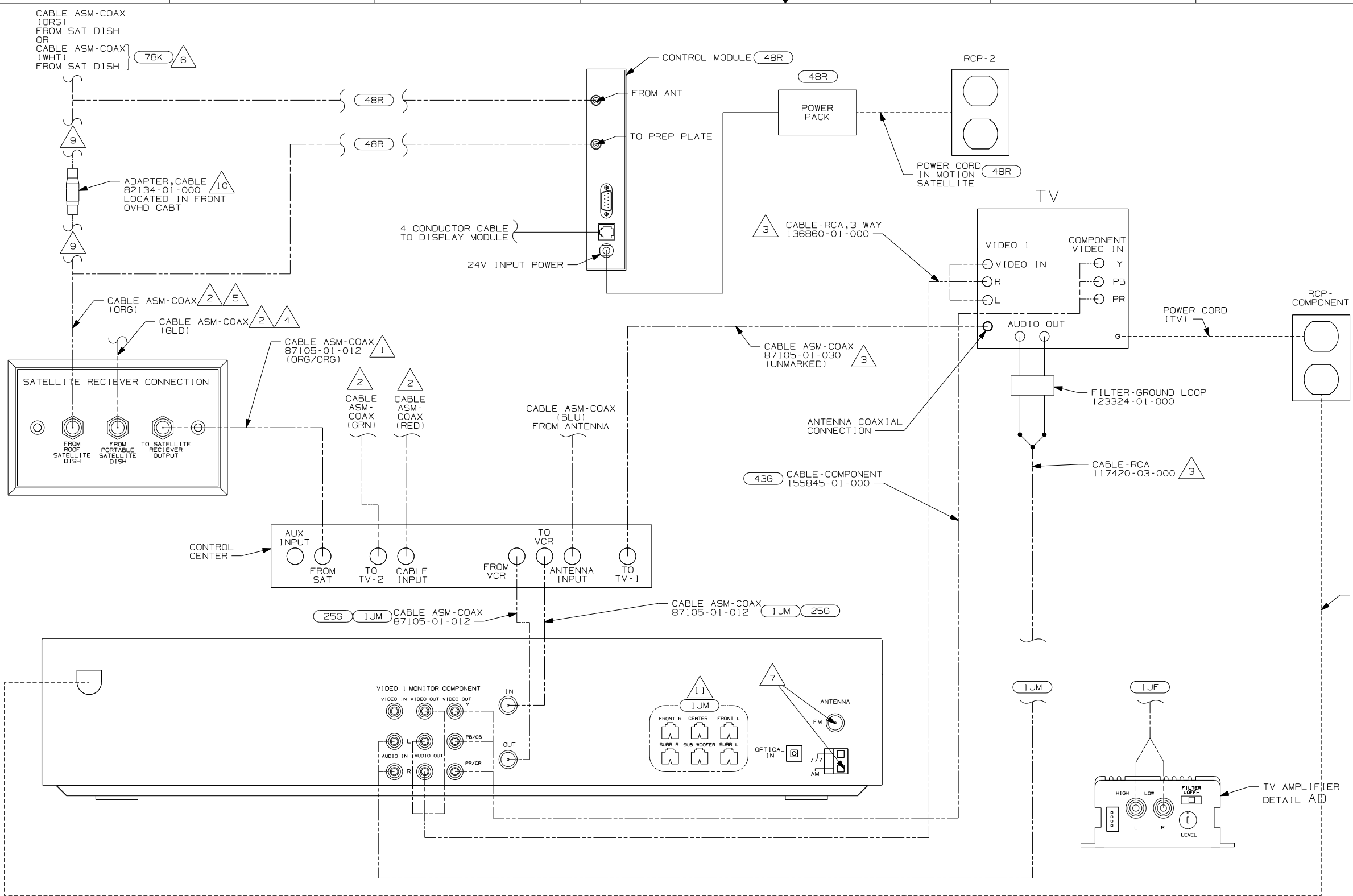
- (79H) ENTERTAINMENT CTR-INTERIOR
- (78K) SATELLITE DISH-AUTOMATIC
- (48R) SAT SYS IN-MOTION W/O RCVR
- (42E) TV-27" COLOR,STEREO W/REMOTE
- (35P) VIDEO SELECTION SYSTEM
- (265) CODES/STANDARDS-CSA/CMVSS

FIRST USED		R40FD	
06 A-BODIES			
DO NOT SCALE DRAWING			
TITLE: WIRING INSTL-TV/DVD,SIDE			
SHEET 6	PART NO	153031	REV



- 8 PLACE CONNECTOR HERE TO MAKE CONNECTION TO MATING WIRE ASM.
- 7 SNAP ROPE LAMP IN CHANNELS ON OVER HEAD CABINES.
- 6 CUT ROPE LIGHT AT X MARKS ON LIGHT AND INSTALL CONNECTOR 146514-02-000.
- 5 PARTS ARE SUPPLIED WITH SATELLITE KIT 154474-02-000.
- 4 POSITION TRANSMITTER ON THE FRONT LEFT SIDE OF THE DVD/VCR USING TIE-MOUNT 155366-01-000 AND TIE-WIRE 8343-01-000 45MM UP FROM THE BOTTOM TO LINE UP WITH THE RECEIVER EYE.
- 3 POSITION TRANSMITTER IN THE MIDDLE OF THE TOP SHELF OPENING.
- 2 SEE WIRING INSTL-BODY, 12V FOR ADDITIONAL INFORMATION.
- 1 SWITCH SUPPLIED WITH SATELLITE DISH.

- 79H ENTERTAINMENT CTR-INTERIOR
- 78K SATELLITE DISH-AUTOMATIC
- 48R SAT SYS IN-MOTION W/O RCVR
- 43G TV-30" _COLOR, STEREO W/REMOTE
- 35P VIDEO SELECTION SYSTEM
- 265 CODES/STANDARDS-CSA/CMVSS



- NOTES:
- 4 CONNECTED TO THE REAR SIDE OF SATELLITE PREP PLATE, CONNECTION LABELED 'FROM PORTABLE SATELLITE DISH.'
 - 3 NOT USED ON G37B. WIRE ROUTED IN ROOF.
 - 2 CABLE ROUTED IN ROOF OR THROUGH WIRE ASM-COACH.
 - 1 CONNECTED TO THE REAR SIDE OF SATELLITE PREP PLATE, CONNECTION LABELED 'TO SATELLITE RECEIVER OUTPUT.'

- 8 CABLE IS SUPPLIED WITH DVD/VCR WITH 1JM
- 7 ANTENNA CABLES ARE TO BE ATTACHED TO SIDEWALL AS HIGH AS POSSIBLE.
- 6 WHT COAX IS PART OF WIRE ASM-SATELLITE AUTO GRAY COAX IS NOT USED, TAPE BACK TO HARNESS.
- 5 CONNECTED TO THE REAR SIDE OF SATELLITE PREP PLATE, CONNECTION LABELED 'FROM ROOF SATELLITE DISH.'

- 11 CONNECTS TO WIRE ASM-JUMPER, SPEAKER
- 10 NOT USED WITH 48R
- 9 WITH 48R COAX CABLES ARE CONNECTED TO THE SATELLITE CONTROL MODULE AS SHOWN BYPASSING THE ADAPTER, CABLE.

- 78K SATELLITE DISH-AUTOMATIC
- 48R SAT SYS IN-MOTION W/O RCVR
- 43G HOME THEATER SYS-WITHOUT
- 25G DVD/VCR, STEREO, W/REMOTE
- 1JM HOME THEATER SOUND SYSTEM
- 1JF HOME THEATER SYS-WITHOUT

FIRST USED	06 A-BODIES	
TITLE	DO NOT SCALE DRAWING	
TITLE	WIRING INSTL-TV/DVD, SIDE	
SHEET 8	PART NO	153031
	REV	