



DANGER

Danger of electrical shock, burns or death. Always remove all power sources before attempting any repair, service or diagnostic work. Power can be present from shore power, generator, inverter or battery. All power sources must be disabled and secured before performing any service.

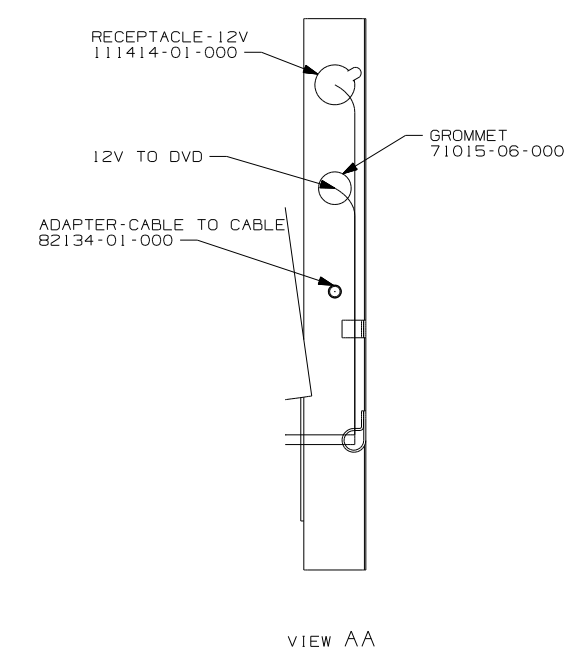
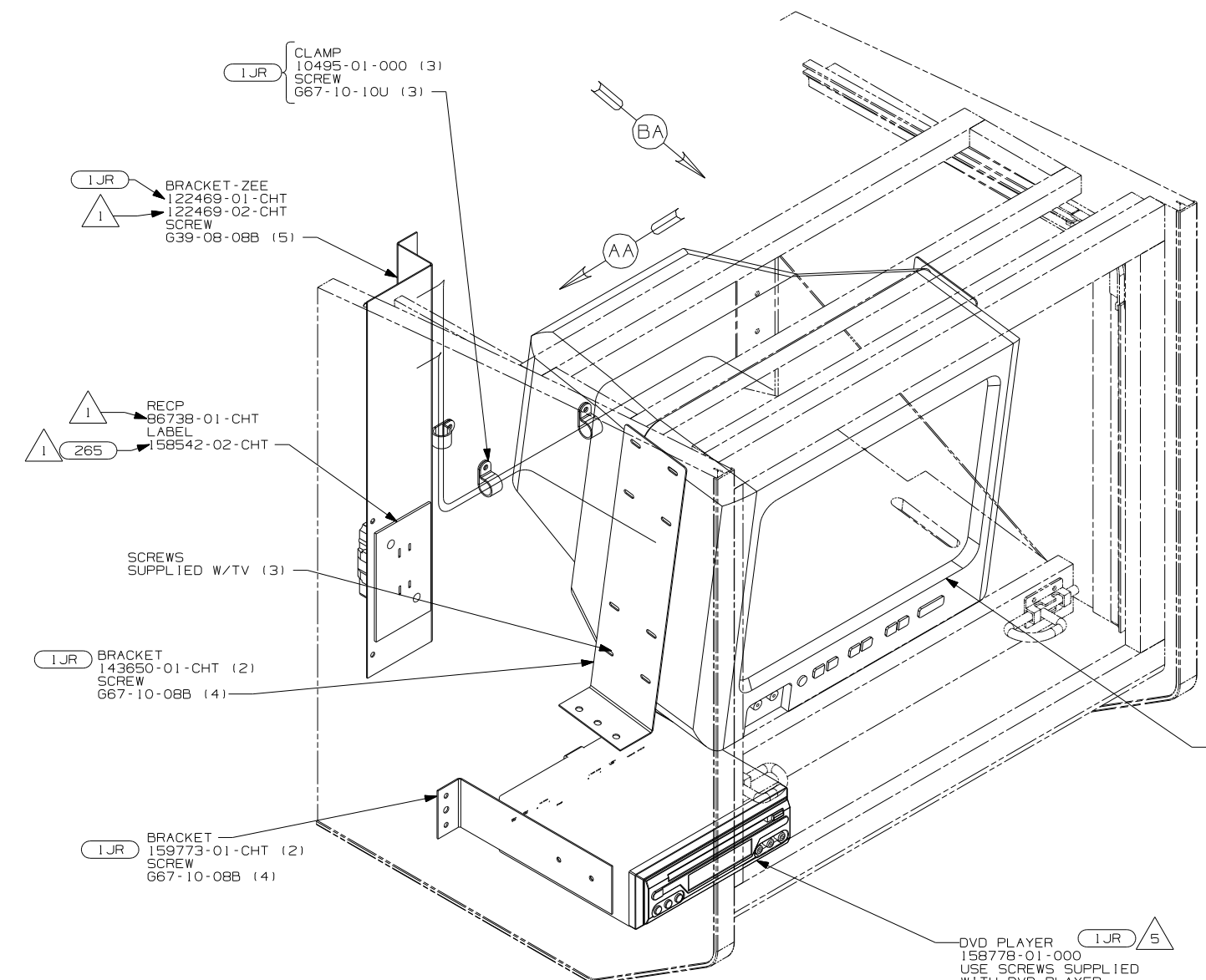


CAUTION

If you lack the skills, tools or equipment to perform diagnostic or repair work leave such work to an authorized Winnebago Industries dealer or other qualified shop.

DRAWING NO.	SHEET
152518-01	1,2
152518-02	3,4,5
152518-03	6,7
152518-04	8,10
152518-05	9,10

RELEASE	REV DATE	DWG NO
A		152518
REV ZONE	REVISION RECORD	DATE DFR-ORIG



300 SERIES
EXCEPT 331C & 331T

- (1JR) TV-13" W/DVD-12V
- (265) CODES/STANDARDS-CSA/CMVSS
- (1B1) CODES/STANDARDS-USA
- (1B1) (265)

WINNEBAGO COPYRIGHT 2006 WINNEBAGO INDUSTRIES, INC.

DFTR	ORIG. DATE
CHKR	ALL DIMENSIONS ARE IN MILLIMETERS
P.E.	FIRST USED
M.E.	06 C-BODY
DSNR	
UNSPECIFIED TOLERANCES ARE:	MATERIAL:
WHOLE DIM (X)	:
ONE-PLACE (X.X)	:
TWO-PLACE (X.XX)	:
ANGLE	:
THIRD ANGLE PROJECTION	

DO NOT SCALE DRAWING

TITLE: WIRING INSTL-TV/DVD,SIDE

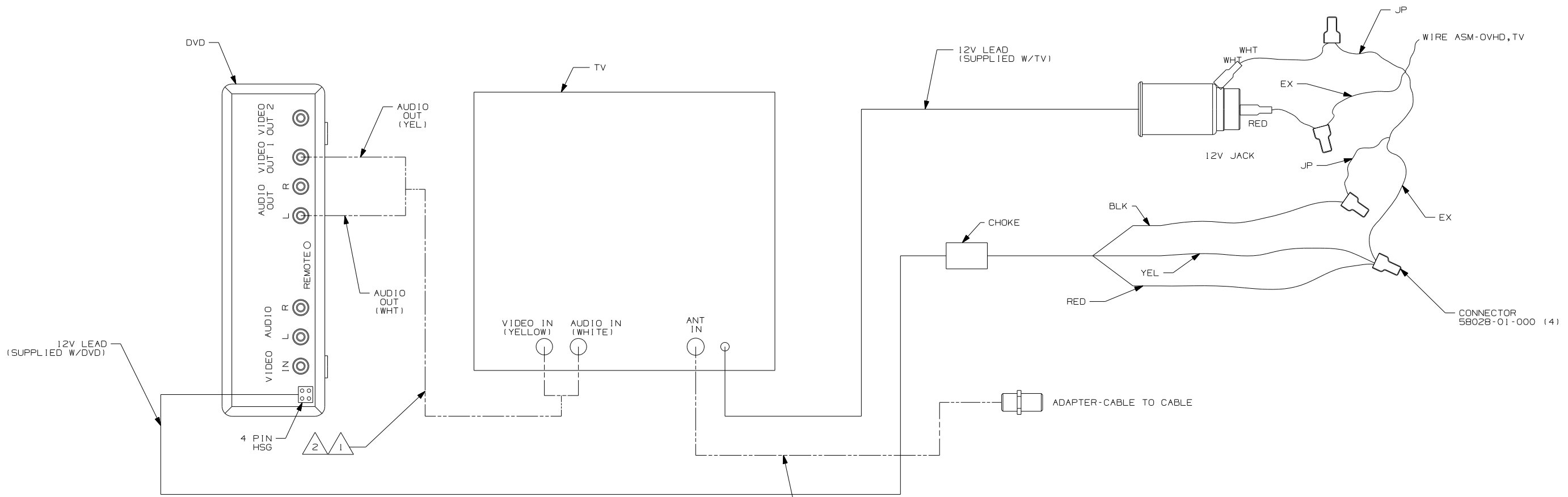
SHEET 1 OF 10 PART NO 152518 REV

- 5 INCLUDE AV ADAPTOR CABLE VENDOR P/N 11232271, WHICH IS SUPPLIED WITH THE DVD PLAYER IN THE INFO CASE.
4. 110V WIRE TO BE CLAMPED WITH CLAMP 10497-05-000 WITHIN 200MM OF OUTLET BOXES, USE SCREW G67-10-12B.
3. ALL WIRES TO BE SECURED WITH CLAMP 10495 OR 10497 OR WIRE TIE 8343 OR 108046 EVERY 600mm, USE SCREW G67-XX-XXX OR G56-XX-XXX AS APPROPRIATE FOR INSTALLATION.

2. FOR CONNECTIONS, SEE SHEET 2.

1 NOT USED WITH (1JR)

NOTES:



VIEW BA

- 2 RCA AV CABLE VENDOR P/N 11234360, SUPPLIED WITH THE DVD PLAYER.
- 1 CABLE SUPPLIED WITH DVD. RED CONNECTOR NOT USED.

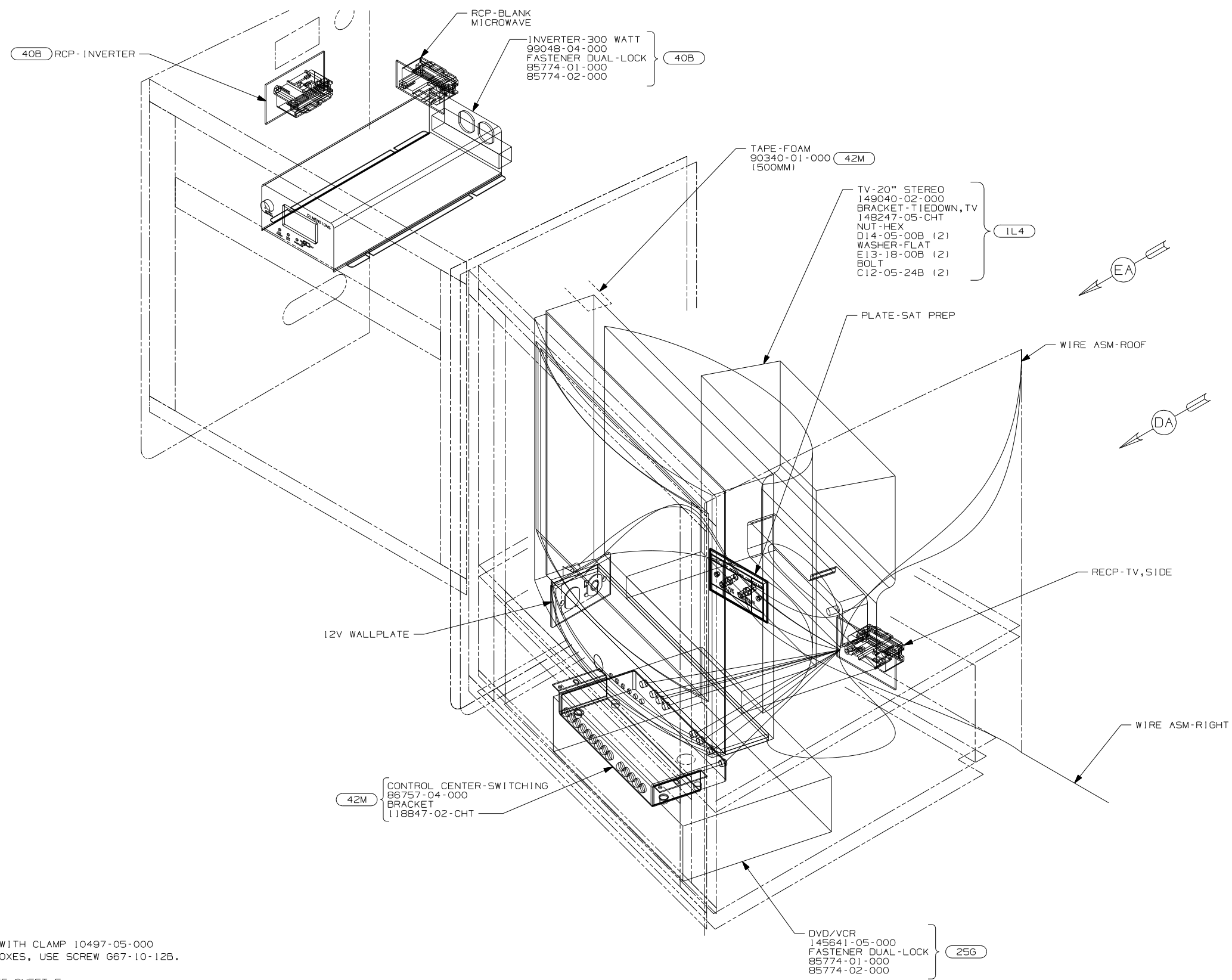
NOTES:

300 SERIES EXCEPT 331C & 331T

- 1JR TV-13" W/DVD-12V
- 265 CODES/STANDARDS-CSA/CMVSS
- 1B1 CODES/STANDARDS-USA

1B1 265 1JR

FIRST USED		
06 C-BODY		
DO NOT SCALE DRAWING		
TITLE:		
WIRING INSTL-TV/DVD,SIDE		
SHEET 2	PART NO	REV
	152518	



4. 110V WIRE TO BE CLAMPED WITH CLAMP 10497-05-000 WITHIN 200MM OF OUTLET BOXES, USE SCREW G67-10-12B.
3. FOR COAX CONNECTIONS, SEE SHEET 5.
2. FOR 12V AND 110V CONNECTIONS, SEE SHEET 4.

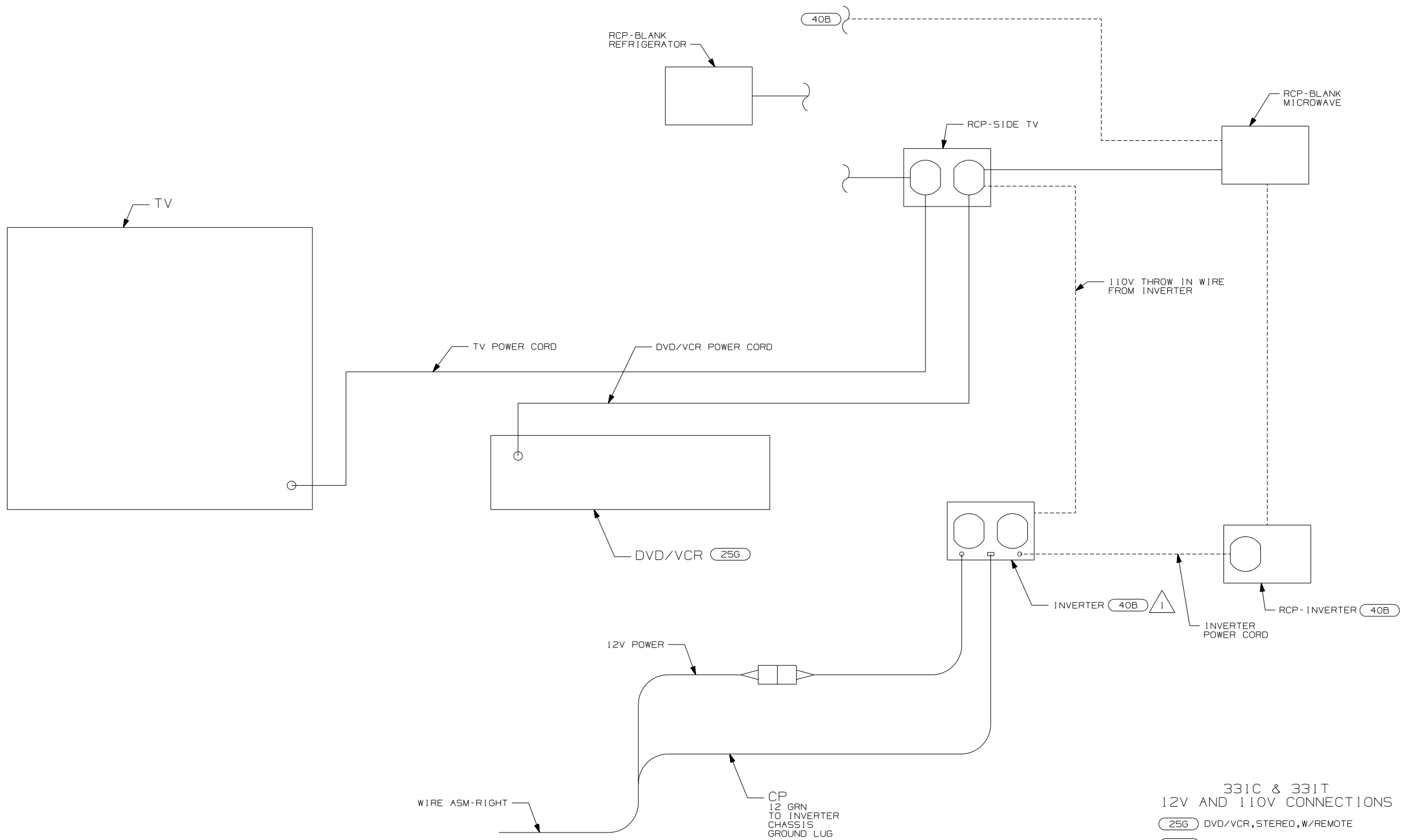
1. ALL WIRES TO BE SECURED WITH CLAMP 10495 OR 10497 OR WIRE TIE 8343 OR 108046 EVERY 600MM. USE SCREW G67-XX-XXX OR G56-XX-XXX AS APPROPRIATE FOR INSTALLATION.

NOTES:

331C & 331T SIDE ENTERTAINMENT CENTER

- (IL4) TV-20" W/VIDEO SELECTION SYS
- (40B) INVERTER-DC/AC-300 WATT
- (256) DVD/VCR,STEREO,W/REMOTE
- (265) CODES/STANDARDS-CSA/CMVSS
- (1B1) CODES/STANDARDS-USA

FIRST USED	
06 C-BODY	
DO NOT SCALE DRAWING	
TITLE:	
WIRING INSTL-TV/DVD,SIDE	
SHEET 3	PART NO 152518 REV



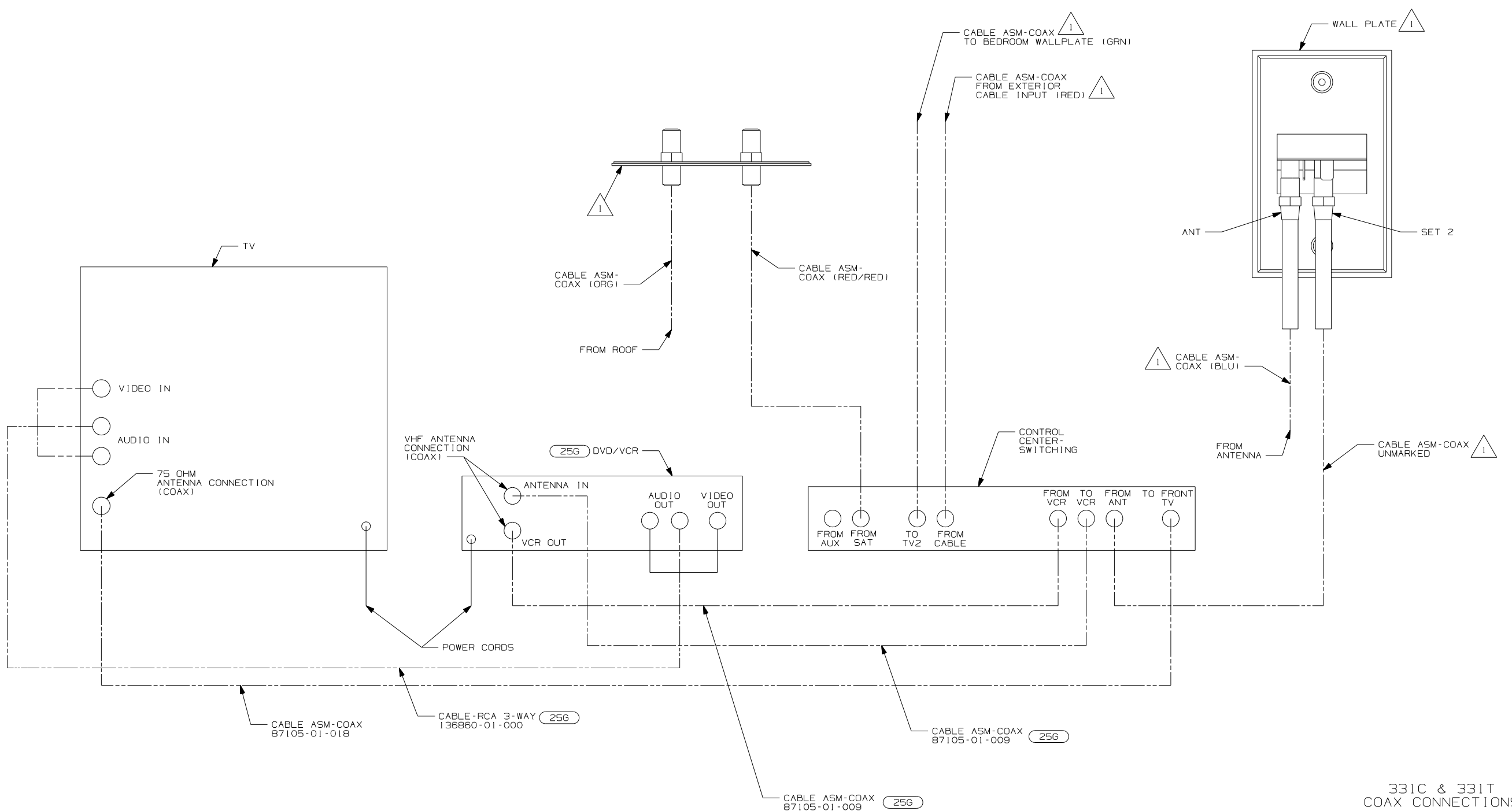
WIRE ASM-RIGHT
 CP
 12 GRN
 TO INVERTER
 CHASSIS
 GROUND LUG

VIEW DA

- 331C & 331T
 12V AND 110V CONNECTIONS
- (256) DVD/VCR, STEREO, W/REMOTE
 - (40B) INVERTER-DC/AC, 300 WATT
 - (265) CODES/STANDARDS-CSA/CMVSS
 - (1B1) CODES/STANDARDS-USA

FIRST USED	
06 C-BODY	
DO NOT SCALE DRAWING	
TITLE: WIRING INSTL-TV/DVD, SIDE	
SHEET 4	PART NO 152518 REV

NOTES:
 1 DASHED LINE IS ROUTING WITH (40B) OPTION.



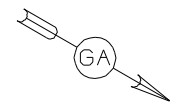
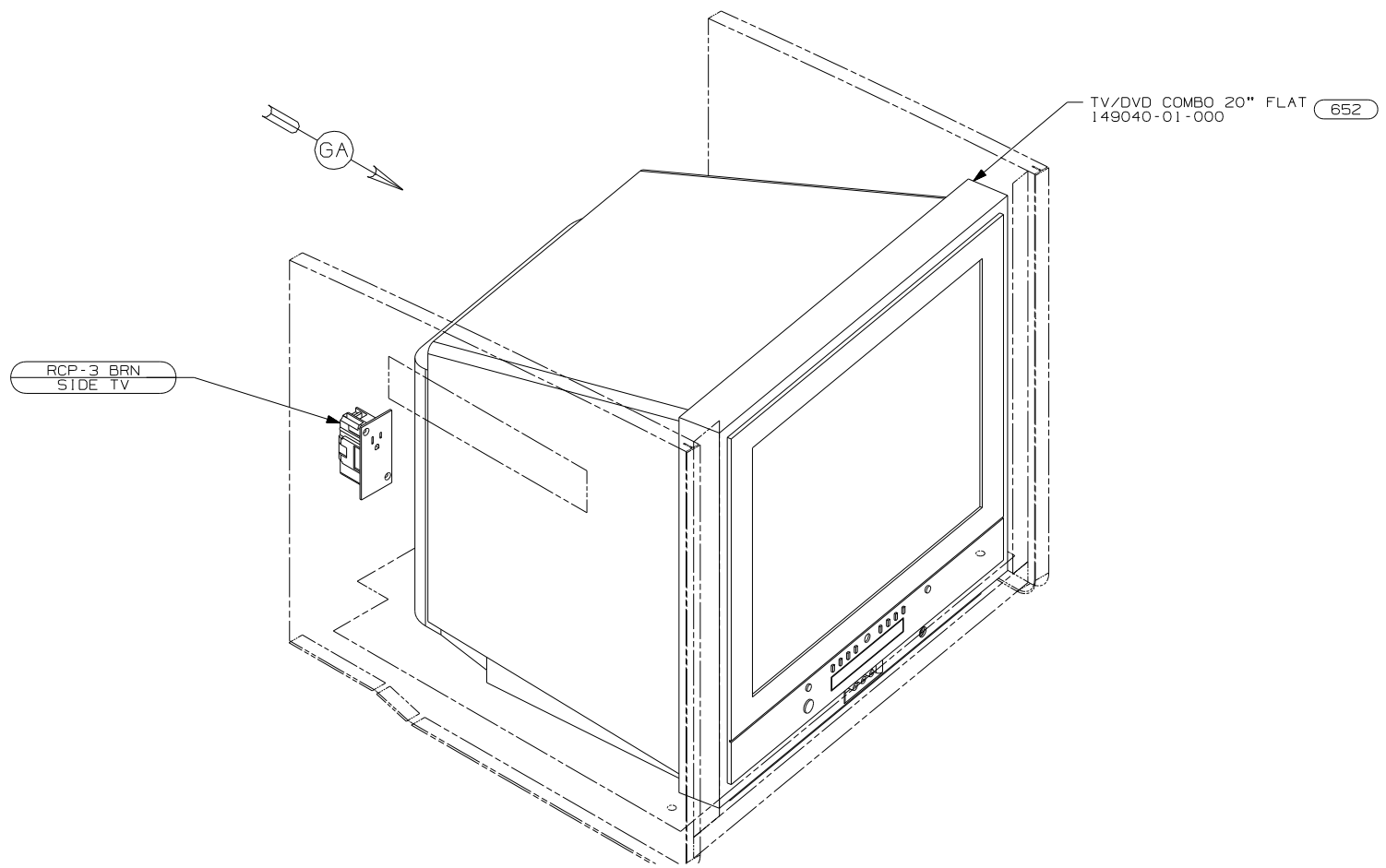
VIEW EA

331C & 331T
COAX CONNECTIONS

- (42M) TV-19" COLOR W/STEREO
- (25G) DVD/VCR, STEREO, W/REMOTE
- (265) CODES/STANDARDS-CSA/CMVSS
- (1B1) CODES/STANDARDS-USA

(1B1)	(265)
FIRST USED	
06 C-BODY	
DO NOT SCALE DRAWING	
TITLE:	
WIRING INSTL-TV/DVD, SIDE	
SHEET 5	PART NO 152518 REV

NOTES: SEE WIRING INSTL-BODY FOR ADDITIONAL INFORMATION.



RCP-3 BRN
SIDE TV

TV/DVD COMBO 20" FLAT
149040-01-000 (652)

400 SERIES

- (652) BUNK-SINGLE, FRONT TV/DVD
- (265) CODES/STANDARDS-CSA/CMVSS
- (1B1) CODES/STANDARDS USA

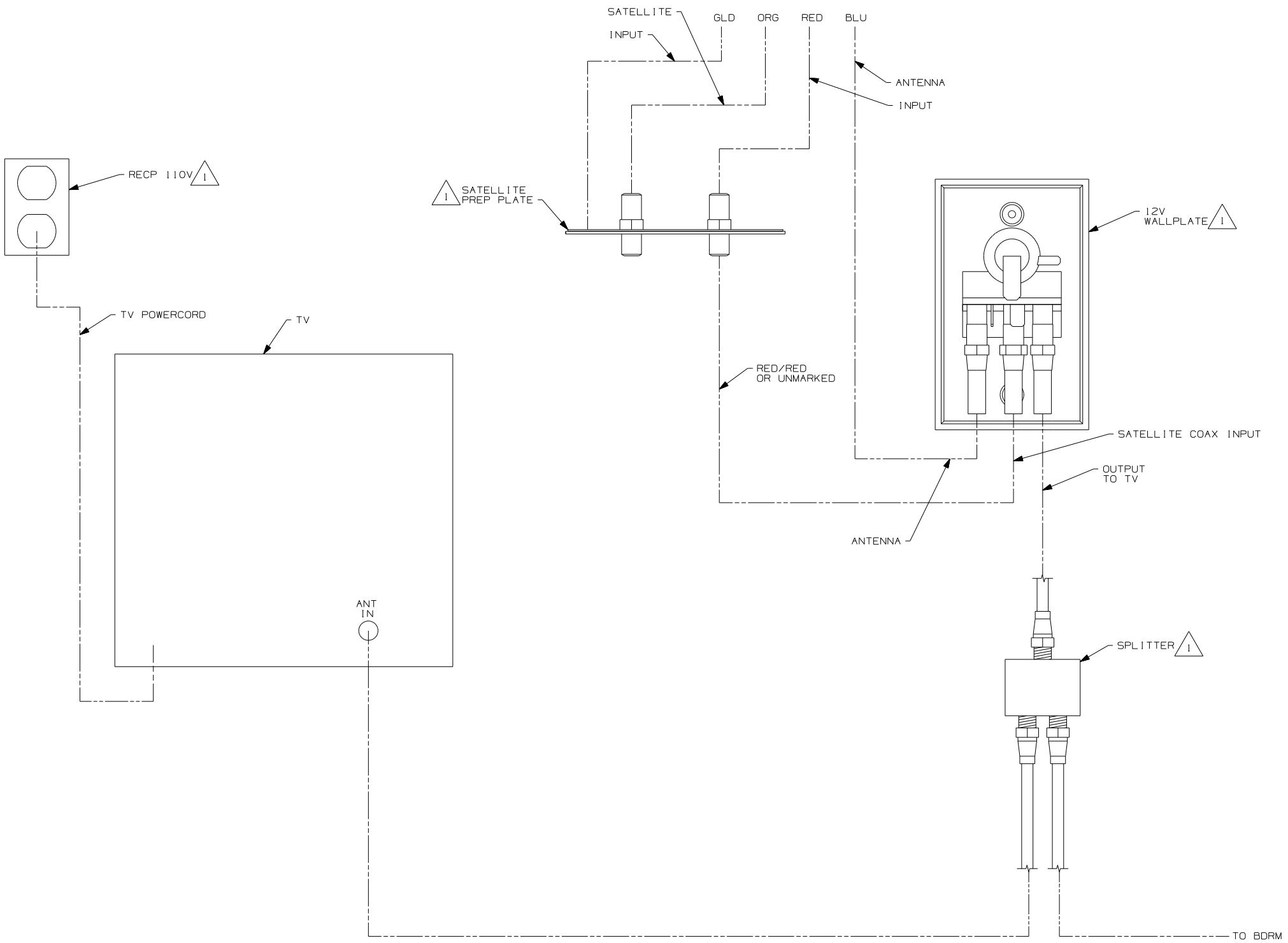
(1B1) (265)

FIRST USED	06 C-BODY
TITLE	DO NOT SCALE DRAWING
TITLE	WIRING INSTL-TV/DVD, SIDE
SHEET 6	PART NO 152518 REV

FOR ELECTRICAL
TORQUE
SPECIFICATIONS
SEE DWG NO.
128783-01-000

(X-X)
FOR
ELECTRICAL
CALLOUTS
SEE DWG NO.
121339-01-000

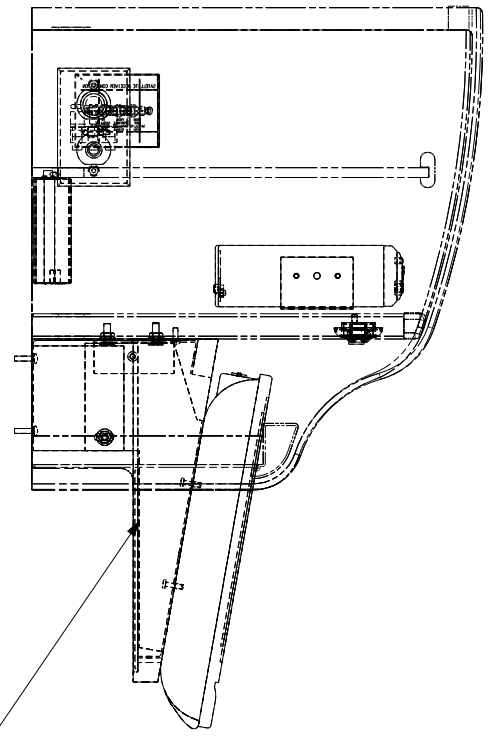
NOTES:
1. FOR CONNECTIONS SEE SHT 7.



NOTES:
 1 SEE WIRING INSTL-BODY FOR ADDITIONAL INFORMATION.

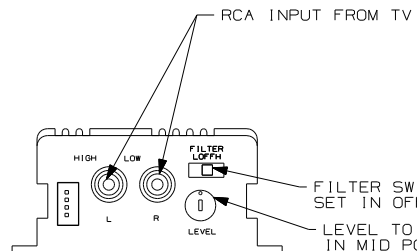
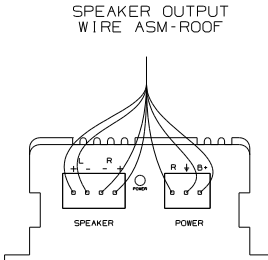
- 400 SERIES
- 652 BUNK-SINGLE, FRONT TV/DVD
 - 265 CODES/STANDARDS-CSA/CMVSS
 - 1B1 CODES/STANDARDS USA

1B1		265		652	
FIRST USED					
06 C-BODY					
DO NOT SCALE DRAWING					
TITLE:					
WIRING INSTL-TV/DVD, SIDE					
SHEET 7		PART NO		152518	
				REV	



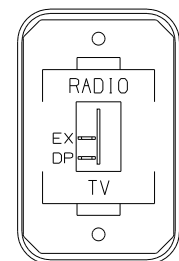
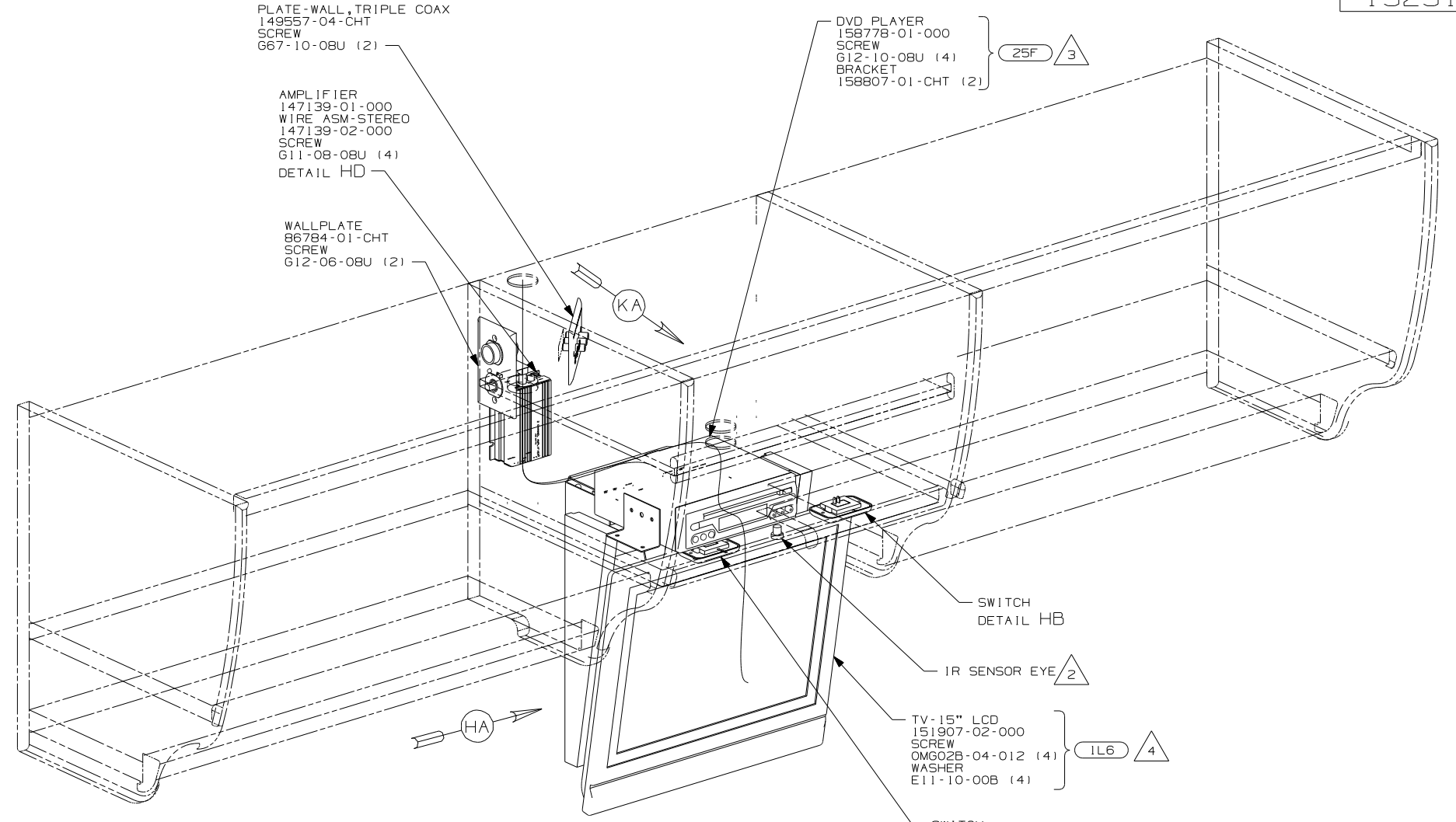
VIEW HA

- BRACKET ASM-SUPPORT, TV
152310-01-CHT
- ANGLE-TIE DOWN
152603-01-CHT
- SCREW
G39-10-12U (8)
- NUT
D39-04-00U (4)
- CABINET ASM-FACE, OVHD, TV
152604-01-XXX
- BOLT
C12-04-08D (2)
- NUT
D39-04-00B (2)



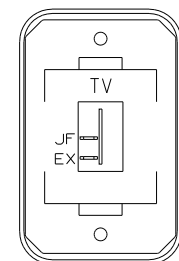
FILTER SWITCH TO BE SET IN OFF POSITION
LEVEL TO BE SET IN MID POSITION

DETAIL HD



DETAIL HC

- SWITCH-ROCKER
135740-01-CHT
- SWITCH-BASE
135741-01-CHT
- SWITCH-BEZEL
135742-40-CHT
- SCREW
G11-08-08U (2)



DETAIL HB

- SWITCH-ROCKER
135740-01-CHT
- SWITCH-BASE
135741-01-CHT
- SWITCH-BEZEL
135742-45-CHT
- SCREW
G11-08-08U (2)

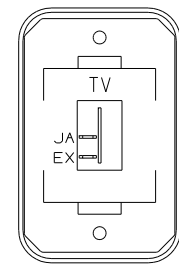
- 4 INPUT3/OUTPUT NEEDS TO BE SET AS AN OUTPUT TERMINAL. IN THE MENU UNDER OPTION 'SETUP' SELECT 'INPUT3 SELECT', THEN CHOOSE 'OUT ~~X~~ VAO'. ONCE THIS IS DONE THE OUTPUT VOLUME IS VARIABLE AND THE TV SPEAKERS ARE MUTE. SEE TELEVISION OWNERS MANUAL FOR ADDITIONAL INFORMATION.
- 3 INCLUDE AV ADAPTOR CABLE VENDOR P/N 11232271, WHICH IS SUPPLIED WITH THE DVD PLAYER IN THE INFO CASE.
- 2 IR SENSOR EYE SUPPLIED WITH DVD PLAYER.

1. FOR CONNECTIONS SEE SHT 10.

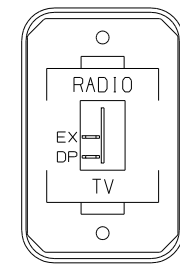
NOTES:

- 25F DIGITAL VIDEO DISC PLAYER
 - 1L6 TV-15" DC, CLR, STEREO W/RMT
- 523H

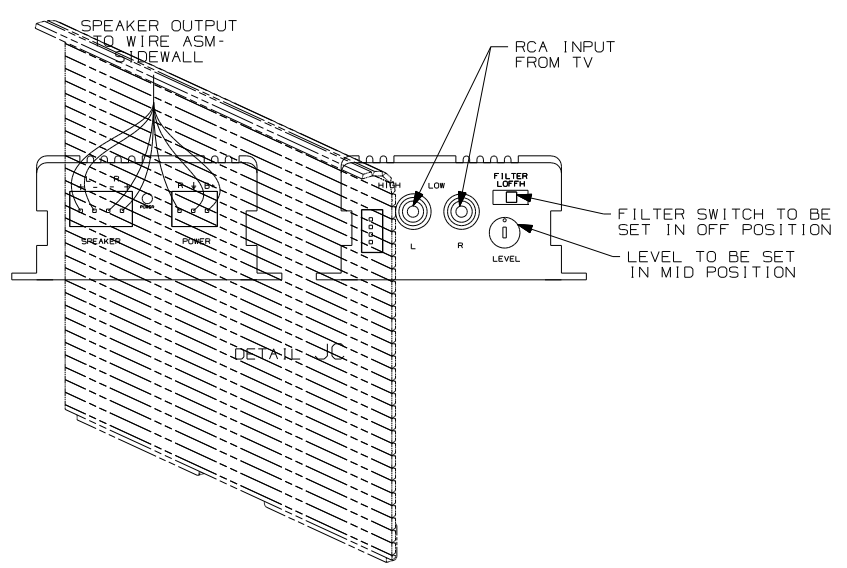
FIRST USED	06 C-BODY	
TITLE	DO NOT SCALE DRAWING	
	WIRING INSTL-TV/DVD, SIDE	
SHEET 8	PART NO	152518
	REV	



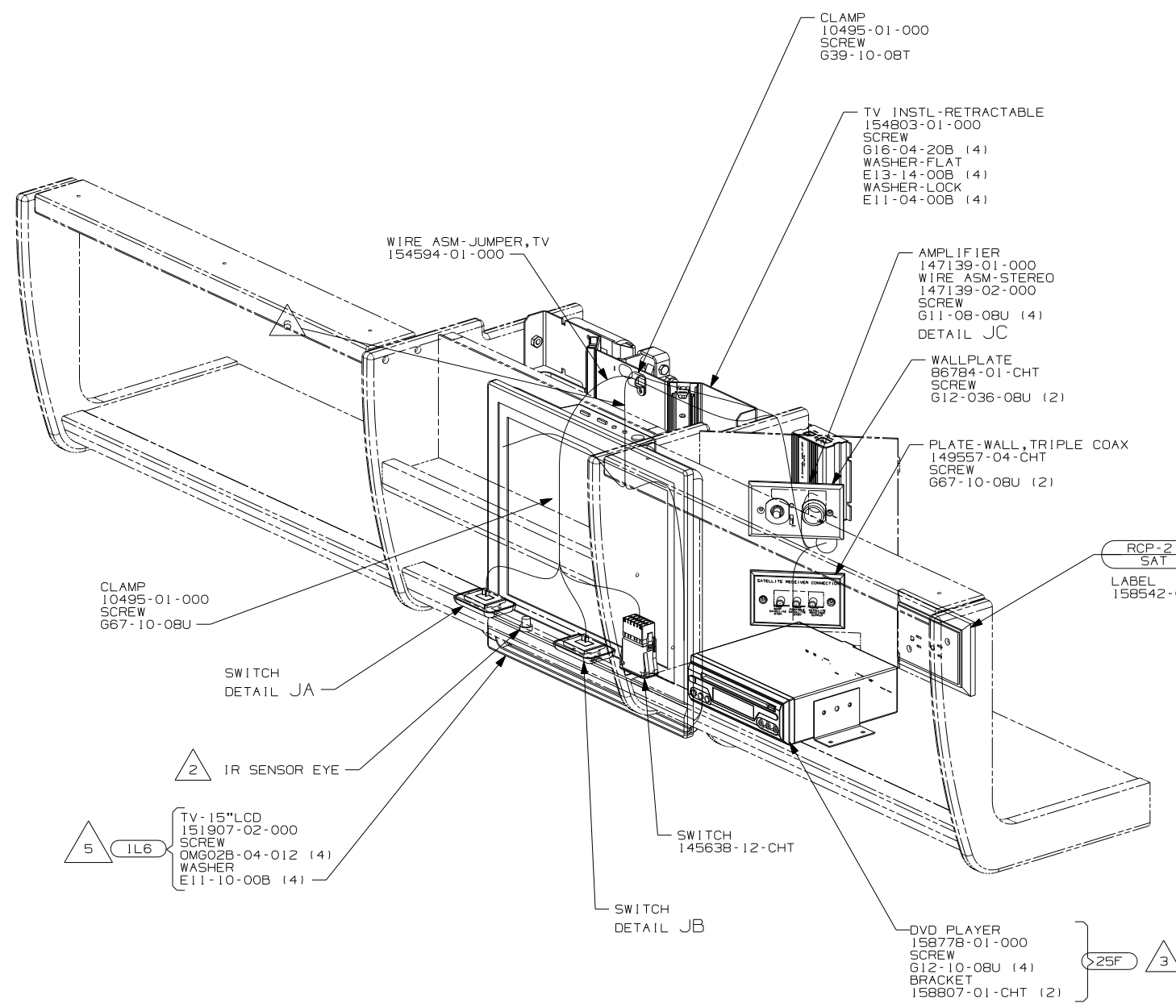
SWITCH-ROCKER
135740-01-CHT
SWITCH-BASE
135741-01-CHT
SWITCH-BEZEL
135742-45-CHT
SCREW
G11-08-08U (2)



SWITCH-ROCKER
135740-01-CHT
SWITCH-BASE
135741-01-CHT
SWITCH-BEZEL
135742-40-CHT
SCREW
G11-08-08U (2)



FILTER SWITCH TO BE SET IN OFF POSITION
LEVEL TO BE SET IN MID POSITION



CLAMP
10495-01-000
SCREW
G67-10-08U

WIRE ASM-JUMPER,TV
154594-01-000

CLAMP
10495-01-000
SCREW
G39-10-08T

TV INSTL-RETRACTABLE
154803-01-000
SCREW
G16-04-20B (4)
WASHER-FLAT
E13-14-00B (4)
WASHER-LOCK
E11-04-00B (4)

AMPLIFIER
147139-01-000
WIRE ASM-STEREO
147139-02-000
SCREW
G11-08-08U (4)
DETAIL JC

WALLPLATE
86784-01-CHT
SCREW
G12-036-08U (2)

PLATE-WALL, TRIPLE COAX
149557-04-CHT
SCREW
G67-10-08U (2)

RCP-2 (BRN)
SAT PREP
SP-04
LABEL
158542-02-CHT 265

SWITCH
DETAIL JA

IR SENSOR EYE

TV-15"LCD
151907-02-000
SCREW
OMG02B-04-012 (4)
WASHER
E11-10-00B (4)

SWITCH
145638-12-CHT

SWITCH
DETAIL JB

DVD PLAYER
158778-01-000
SCREW
G12-10-08U (4)
BRACKET
158807-01-CHT (2)

25F 3

6 COVER COAX, RCA CABLES, AND WIRE ASM-POWER CORD WITH CONDUIT 41953-01-000 AND ATTACH TO BRACKET TV WITH WIRE TIE 8343-02-000.

5 INPUT3/OUTPUT NEEDS TO BE SET AS AN OUTPUT TERMINAL. IN THE MENU UNDER OPTION 'SETUP' SELECT 'INPUT3 SELECT', THEN CHOOSE 'OUT ~~X~~ VAO'. ONCE THIS IS DONE THE OUTPUT VOLUME IS VARIABLE AND THE TV SPEAKERS ARE MUTE. SEE TELEVISION OWNERS MANUAL FOR ADDITIONAL INFORMATION.

4 WIRE IN SIDEWALL.

3 INCLUDE AV ADAPTOR CABLE VENDOR P/N 11232271, WHICH IS SUPPLIED WITH THE DVD PLAYER IN THE INFO CASE.

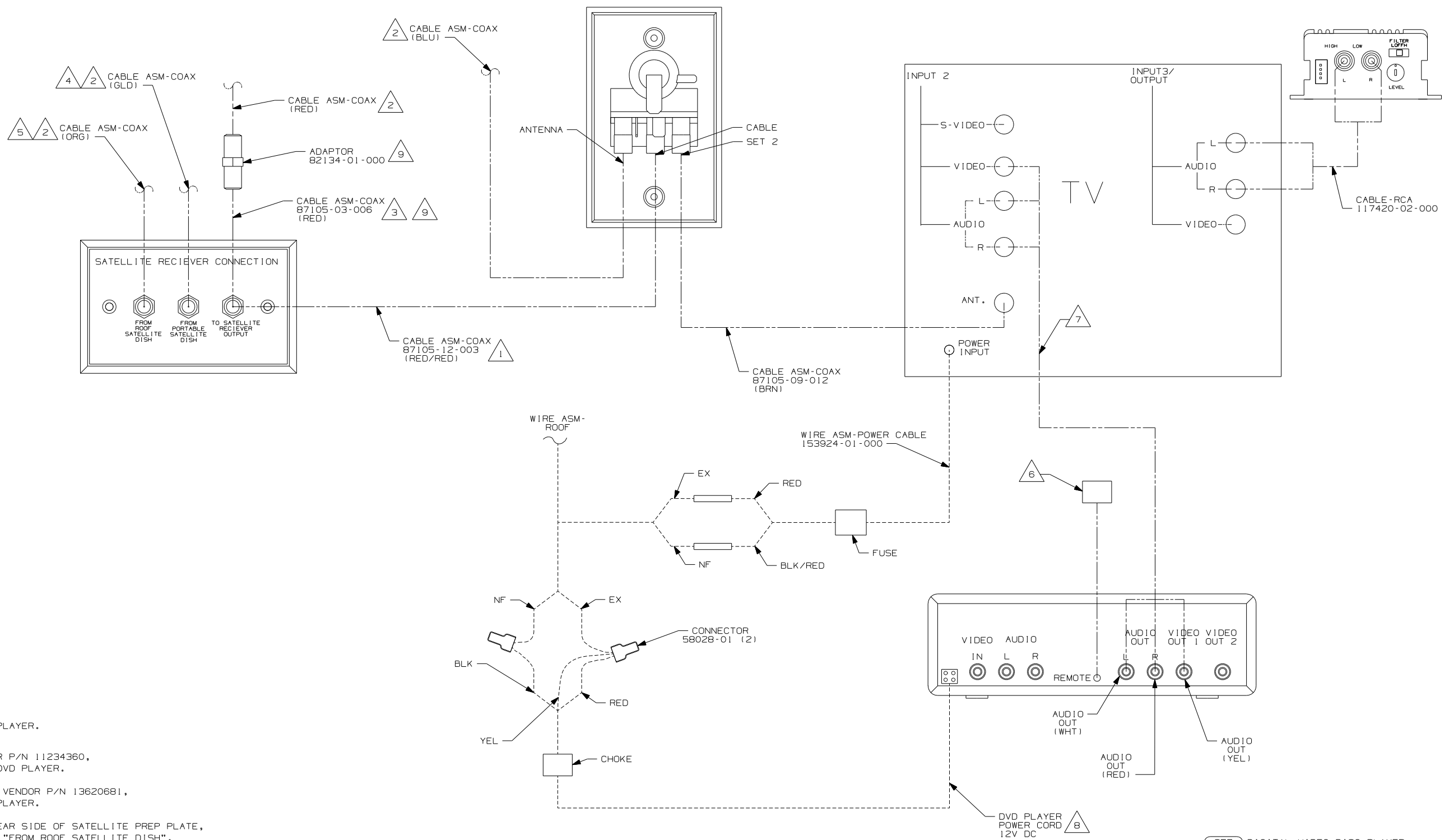
2 IR SENSOR EYE IS SUPPLIED WITH DVD PLAYER.

1. FOR CONNECTIONS SEE SHEET 10.

NOTES:

- 25F DIGITAL VIDEO DISC PLAYER
- 1L6 TV-15"DC,COLOR,LCD W/REMOTE
- 265 CODES/STANDARDS-CSA/CMVSS

523J	
FIRST USED	
06 C-BODY	
DO NOT SCALE DRAWING	
TITLE:	
WIRING INSTL-TV/DVD, SIDE	
SHEET 9	PART NO 152518 REV



- 9 NOT USED ON 523J.
- 8 SUPPLIED WITH DVD PLAYER.
- 7 RCA AV CABLE VENDOR P/N 11234360, SUPPLIED WITH THE DVD PLAYER.
- 6 REMOTE IR RECEIVER VENDOR P/N 13620681, SUPPLIED WITH DVD PLAYER.
- 5 CONNECTED TO THE REAR SIDE OF SATELLITE PREP PLATE, CONNECTION LABELED "FROM ROOF SATELLITE DISH".
- 4 CONNECTED TO THE REAR SIDE OF SATELLITE PREP PLATE, CONNECTION LABELED "FROM PORTABLE SATELLITE DISH".
- 3 CONNECTED TO THE FRONT SIDE OF SATELLITE PREP PLATE, CONNECTION LABELED "TO SATELLITE RECIEVER OUTPUT".
- 2 CABLE ROUTED IN ROOF.
- 1 CONNECTED TO THE REAR SIDE OF SATELLITE PREP PLATE, CONNECTION LABELED "TO SATELLITE RECIEVER OUTPUT".

NOTES:

DETAIL EA 1L6 25F

25F DIGITAL VIDEO DISC PLAYER	
1L6 TV-15" DC,CLR,STEREO W/RMT	
500 SERIES	
FIRST USED	06 C-BODY
DO NOT SCALE DRAWING	
TITLE:	WIRING INSTL-TV/DVD, SIDE
SHEET 10	PART NO 152518 REV
1 6/15/2006	