



**DANGER**

**Danger of electrical shock, burns or death.** Always remove all power sources before attempting any repair, service or diagnostic work. Power can be present from shore power, generator, inverter or battery. All power sources must be disabled and secured before performing any service.

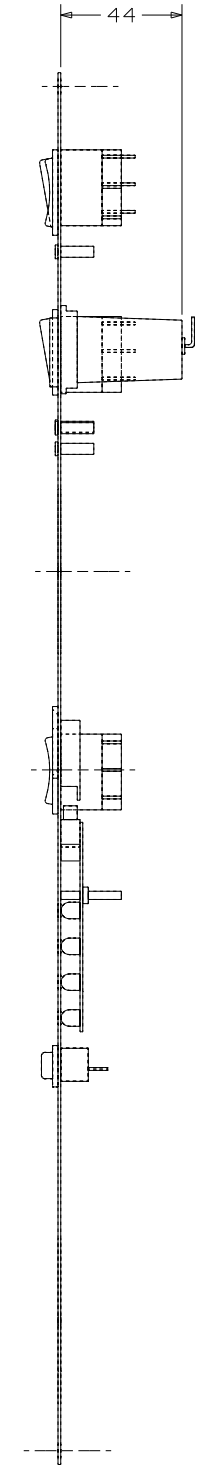
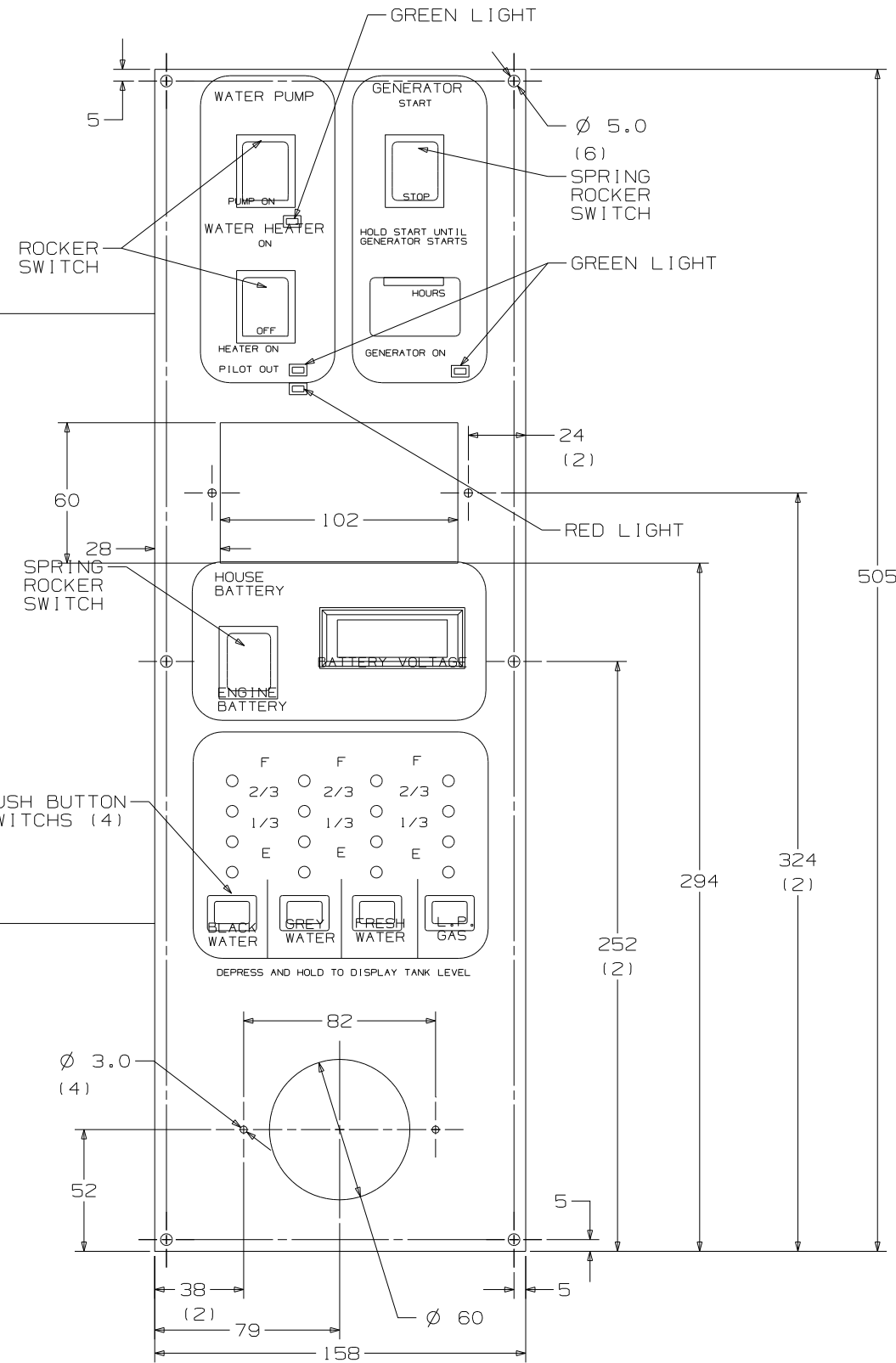
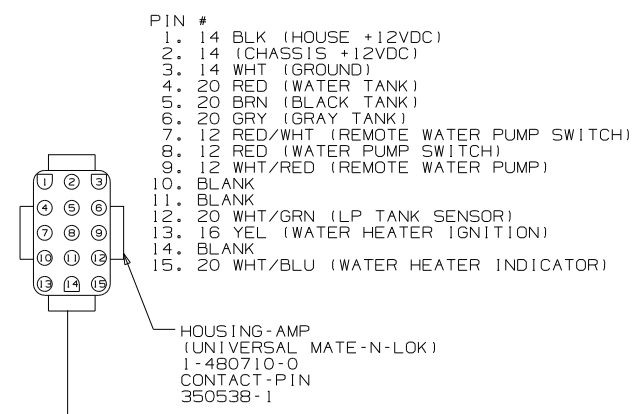
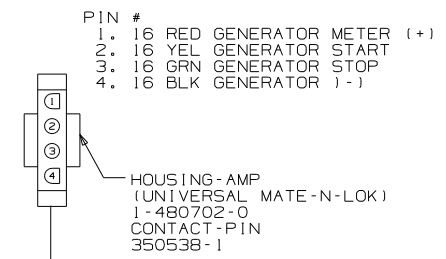


**CAUTION**

If you lack the skills, tools or equipment to perform diagnostic or repair work leave such work to an authorized Winnebago Industries dealer or other qualified shop.

DWG NO	SHEET	DESCRIPTION
133004-01	1	2TK, DIG VOLT
133004-02	2	2T, DIG VOLT, SOLAR
133004-03	3	2TK, W/SOL & PAN
133004-04	4	2TK, W/O WAT HEAT
133004-05	5,6,7	2T, SOLAR/SENSOR

RELEASE	REV DATE	DWG NO
A		133004
REV ZONE	REVISION RECORD	DATE
		DFTR-0R16



- NOTES:
1. SUGGESTED VENDOR: VENLINE.
  2. BLACK PANEL WITH WHITE GRAPHICS.
  3. LETTERS ON MAIN HEADING TO BE 5MM HIGH.
  4. CUTOUT FOR PANEL TO BE 135 X 350 MIN/ 140 X 380 MAX.
  5. SWITCH RATING SHALL BE EMBOSSED ON THE SIDE OF THE 12V SWITCHES.

SEE CHART  
FOR COLOR VARIATIONS  
OF THIS PART

**WINNEBAGO**

COPYRIGHT 2004 WINNEBAGO INDUSTRIES, INC.

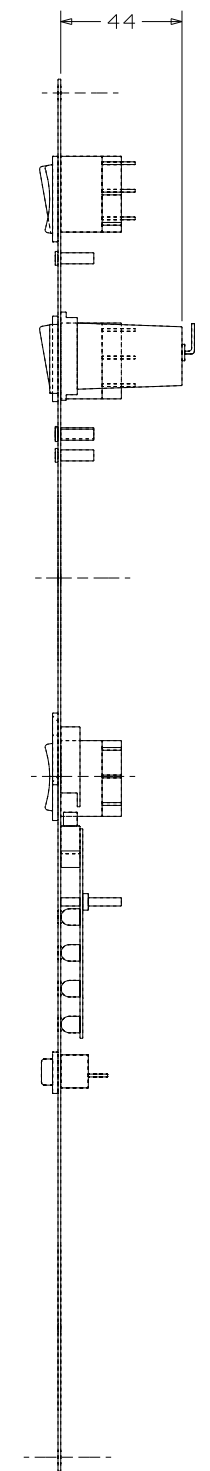
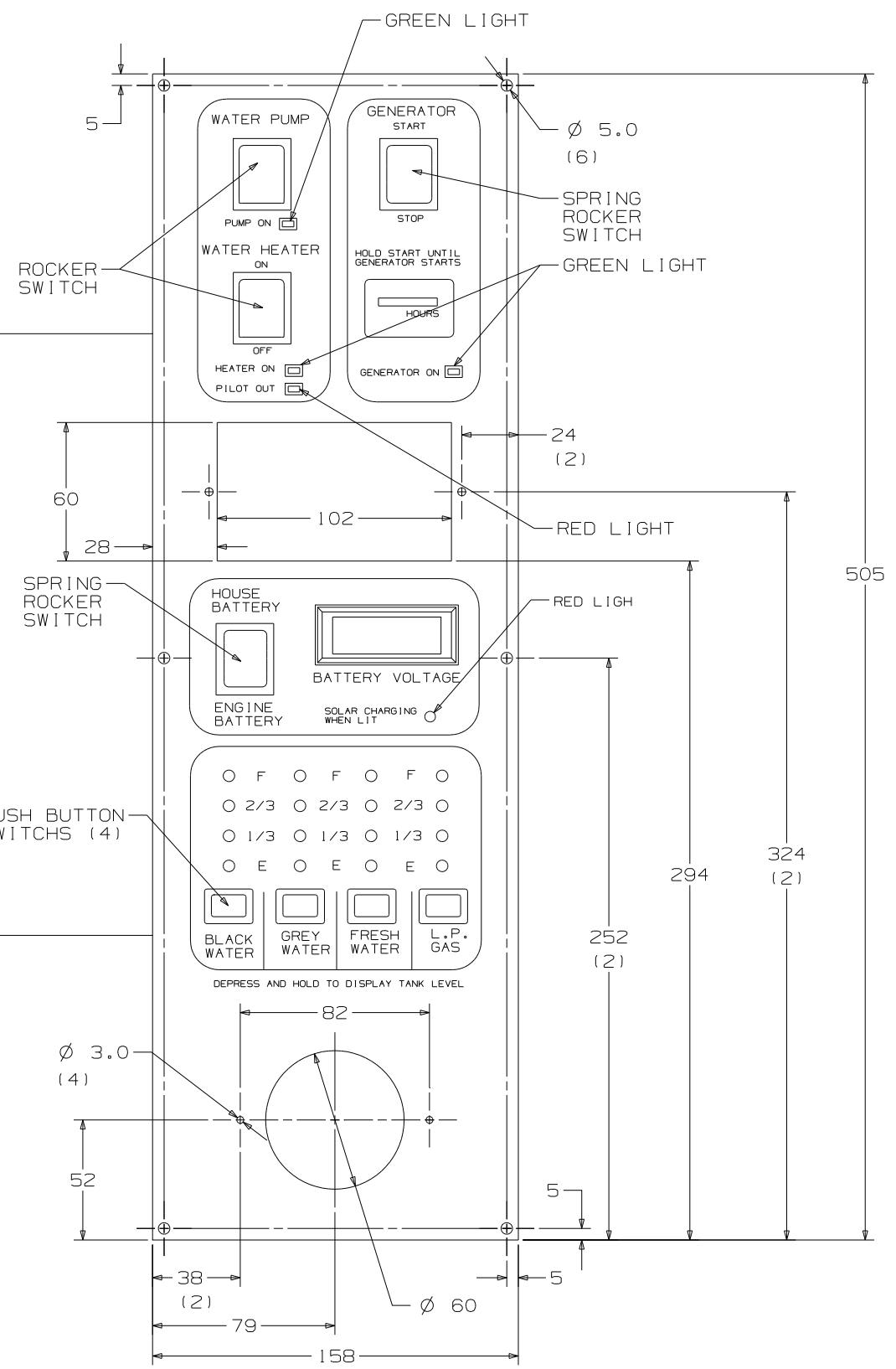
DFTR	ORIG. DATE
CHKR	ALL DIMENSIONS ARE IN MILLIMETERS
P.E.	FIRST USED
M.E.	STANDARDS
DSNR	
UNSPECIFIED TOLERANCES ARE:	
WHOLE DIM (X)	1
ONE-PLACE (X.X)	
TWO-PLACE (X.XX)	
ANGLE	
THIRD ANGLE PROJECTION	
DO NOT SCALE DRAWING	
TITLE:	PANEL-MONITOR
SHEET 1 OF 7	PART NO 133004
REF:	1 07/08/2004

- PIN #
- 1. 16 RED GENERATOR METER (+)
  - 2. 16 YEL GENERATOR START
  - 3. 16 GRN GENERATOR STOP
  - 4. 16 BLK GENERATOR (-)

HOUSING-AMP  
(UNIVERSAL MATE-N-LOK)  
1-480702-0  
CONTACT-PIN  
350538-1

- PIN #
- 1. 14 BLK (HOUSE +12VDC)
  - 2. 14 (CHASSIS +12VDC)
  - 3. 14 WHT (GROUND)
  - 4. 20 RED (WATER TANK)
  - 5. 20 BRN (BLACK TANK)
  - 6. 20 GRN (GRAY TANK)
  - 7. 12 RED/WHT (REMOTE WATER PUMP SWITCH)
  - 8. 12 RED (WATER PUMP SWITCH)
  - 9. 12 WHT/RED (REMOTE WATER PUMP)
  - 10. BLANK
  - 11. BLANK
  - 12. 20 WHT/GRN (LP TANK SENSOR)
  - 13. 16 YEL (WATER HEATER IGNITION)
  - 14. BLANK
  - 15. 20 WHT/BLU (WATER HEATER INDICATOR)

HOUSING-AMP  
(UNIVERSAL MATE-N-LOK)  
1-480710-0  
CONTACT-PIN  
350538-1



FIRST USED	STANDARDS
TITLE	DO NOT SCALE DRAWING
SHEET 2	PANEL - MONITOR
PART NO	133004
1 07/08/2004	

PIN #  
 1. 16 RED GENERATOR METER (+)  
 2. 16 YEL GENERATOR START  
 3. 16 BRN GENERATOR STOP  
 4. 16 BLK GENERATOR (-)

HOUSING-AMP  
 (UNIVERSAL MATE-N-LOK)  
 1-480702-0  
 CONTACT-PIN  
 350538-1

PIN #  
 1. 14 BLK (HOUSE +12VDC)  
 2. 14 (CHASSIS +12VDC)  
 3. 14 WHT (GROUND)  
 4. 20 RED (WATER TANK)  
 5. 20 BRN (BLACK TANK)  
 6. 20 GRN (GRAY TANK)  
 7. 12 RED/WHT (REMOTE WATER PUMP SWITCH)  
 8. 12 RED (WATER PUMP SWITCH)  
 9. 12 WHT/RED (REMOTE WATER PUMP)  
 10. BLANK  
 11. BLANK  
 12. 20 WHT/GRN (LP TANK SENSOR)  
 13. 16 YEL (WATER HEATER IGNITION)  
 14. BLANK  
 15. 20 WHT/BLU (WATER HEATER INDICATOR)

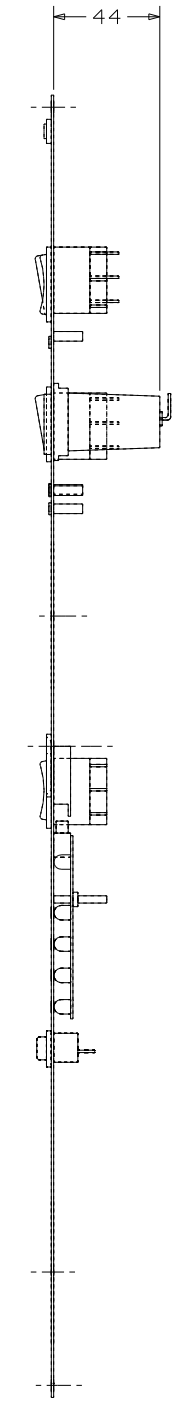
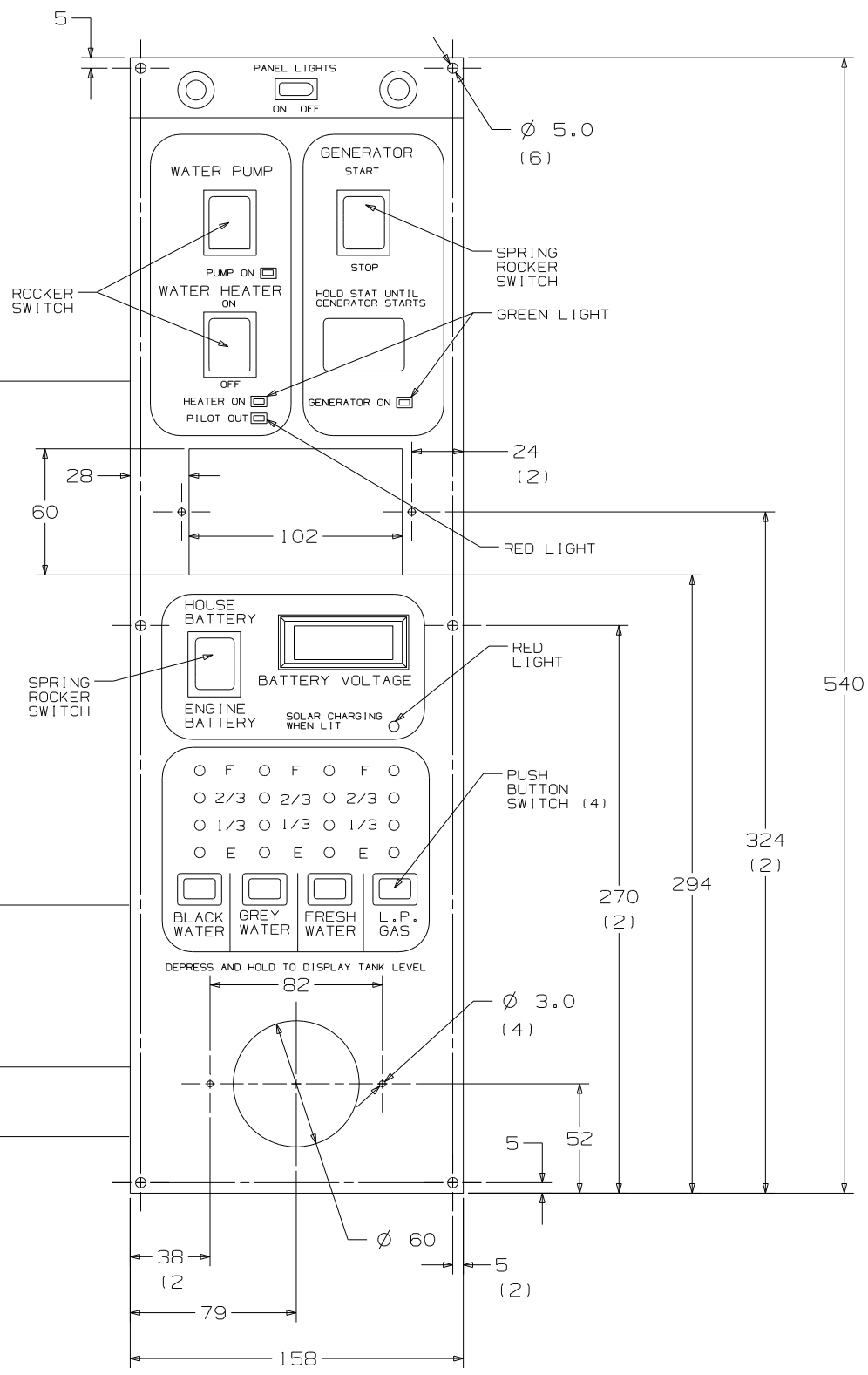
HOUSING-AMP  
 (UNIVERSAL MATE-N-LOK)  
 1-480710-0  
 CONTACT-PIN  
 350538-1

HOUSING-AMP  
 (UNIVERSAL MATE-N-LOK)  
 1-480698-0  
 PIN  
 350538-0

PIN #  
 1. 16 BLK  
 2. 16 RED

HOUSING-AMP  
 (UNIVERSAL MATE-N-LOK)  
 1-480699-0  
 PIN  
 350537-0

PIN #  
 1. 16 GRN  
 2. 16 RED



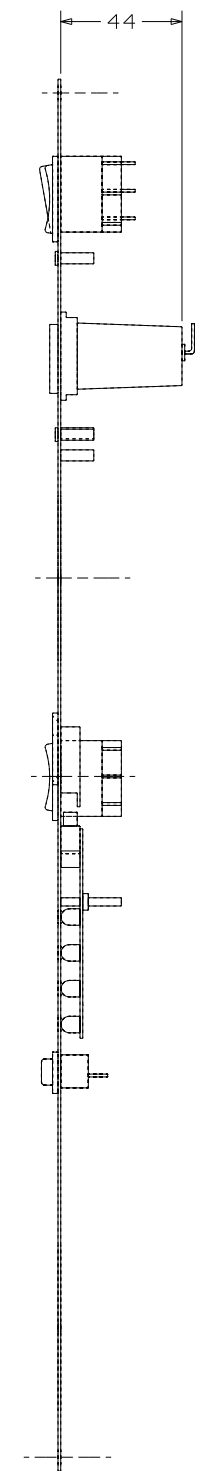
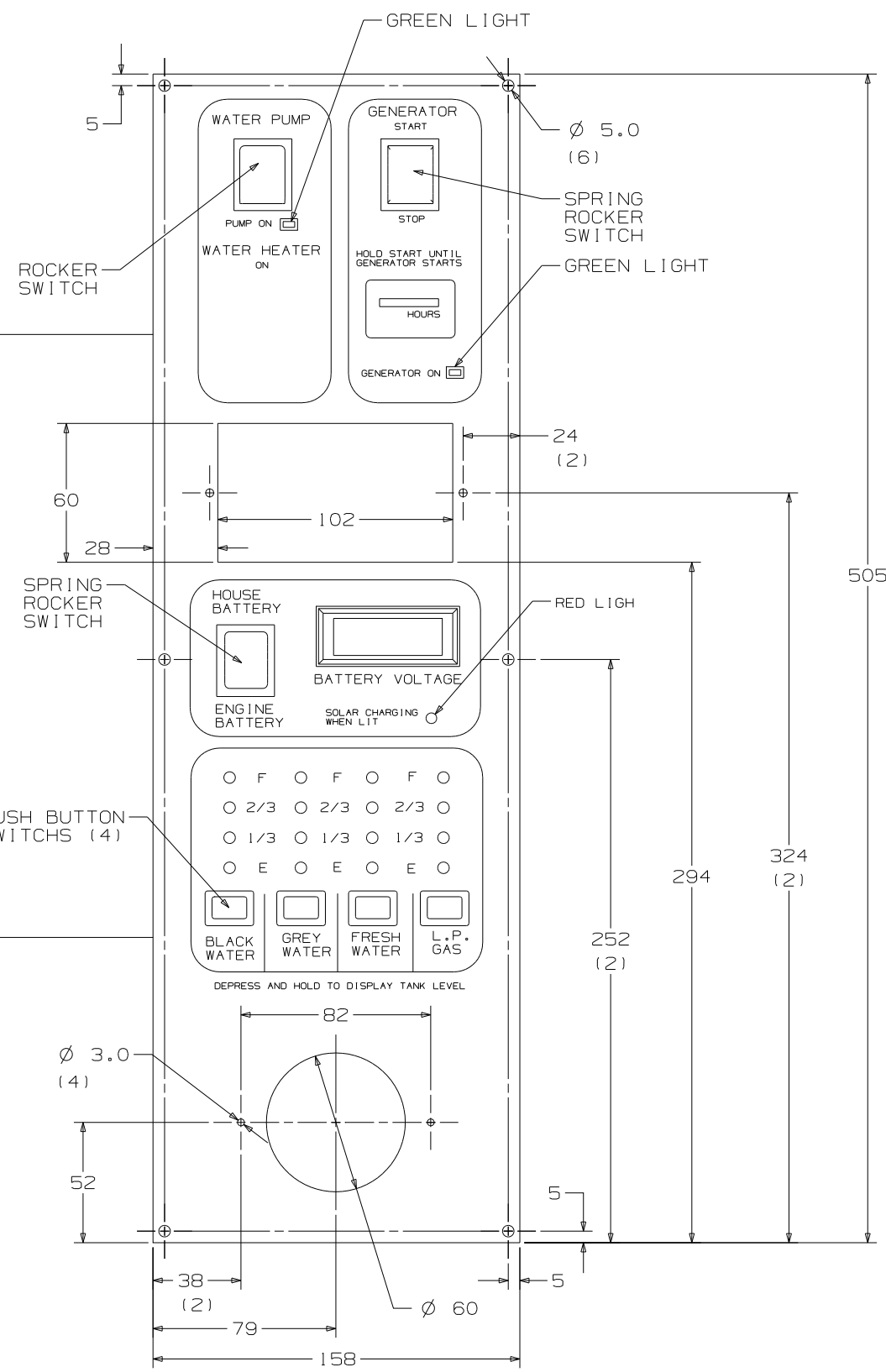
FIRST USED	STANDARD
TITLE	DO NOT SCALE DRAWING
TITLE	PANEL-MONITOR
SHEET 3	PART NO 133004

- PIN #
- 1. 16 RED GENERATOR METER (+)
  - 2. 16 YEL GENERATOR START
  - 3. 16 GRN GENERATOR STOP
  - 4. 16 BLK GENERATOR (-)

HOUSING-AMP  
(UNIVERSAL MATE-N-LOK)  
1-480702-0  
CONTACT-PIN  
350538-1

- PIN #
- 1. 14 BLK (HOUSE +12VDC)
  - 2. 14 (CHASSIS +12VDC)
  - 3. 14 WHT (GROUND)
  - 4. 20 RED (WATER TANK)
  - 5. 20 BRN (BLACK TANK)
  - 6. 20 GRN (GRAY TANK)
  - 7. 12 RED/WHT (REMOTE WATER PUMP SWITCH)
  - 8. 12 RED (WATER PUMP SWITCH)
  - 9. 12 WHT/RED (REMOTE WATER PUMP)
  - 10. BLANK
  - 11. BLANK
  - 12. 20 WHT/GRN (LP TANK SENSOR)
  - 13. BLANK
  - 14. BLANK
  - 15. BLANK

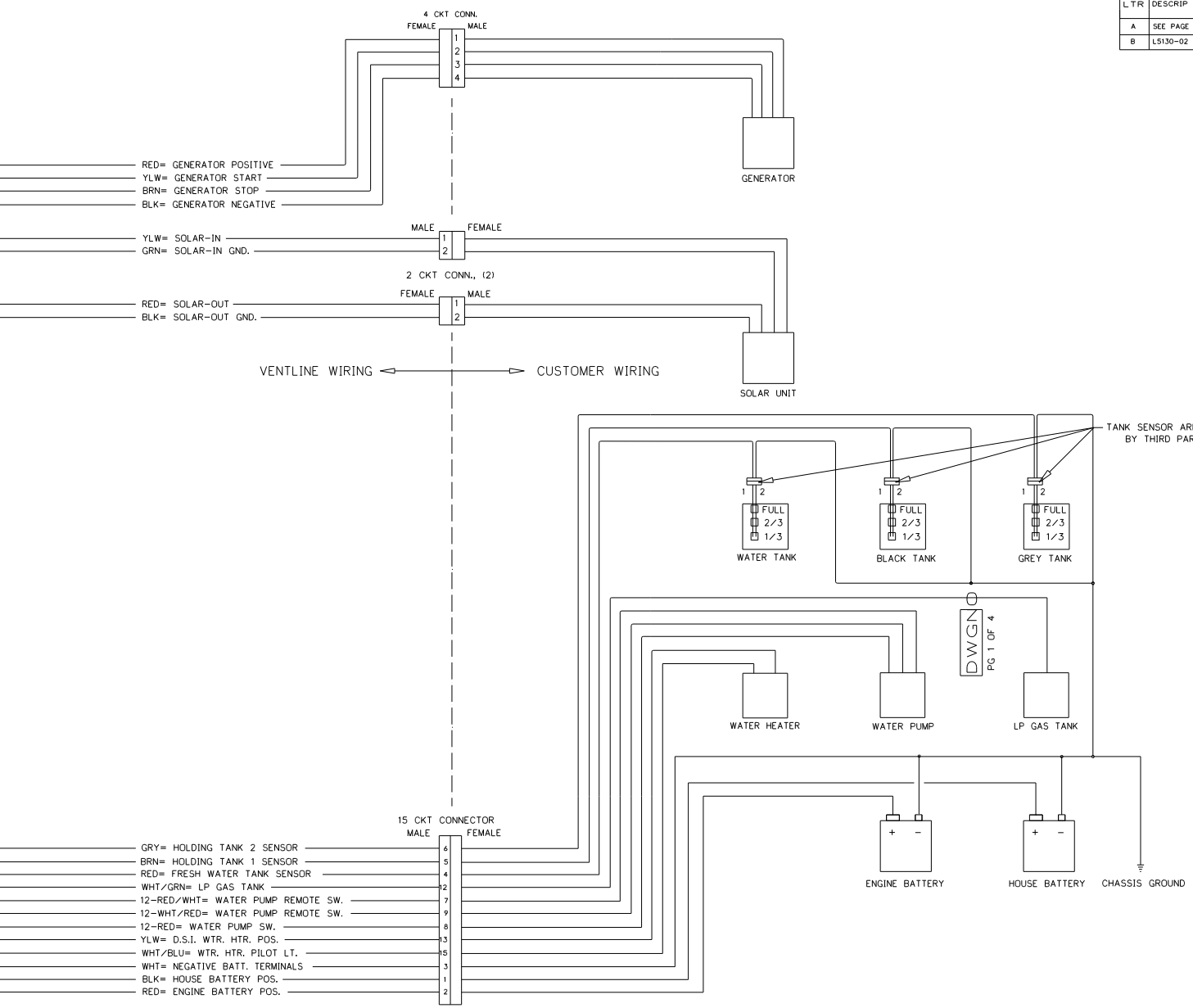
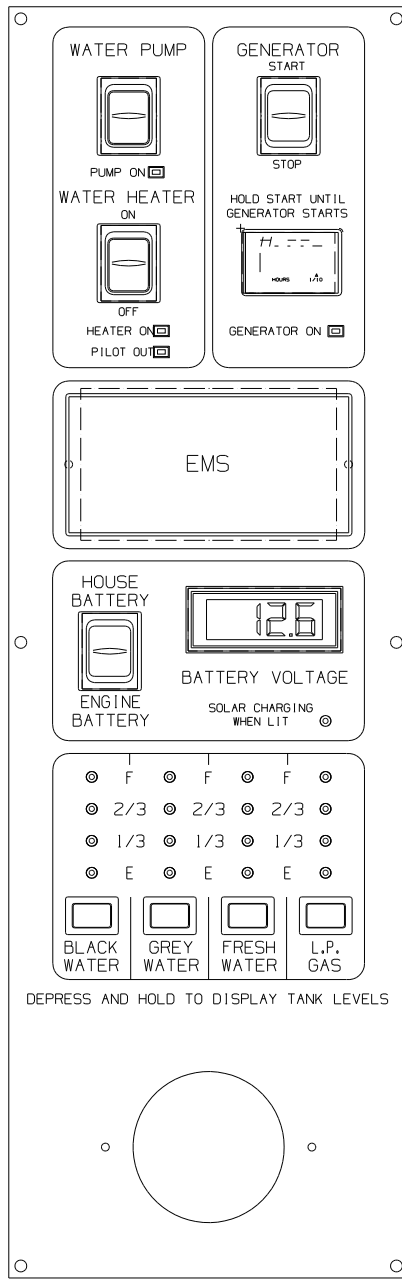
HOUSING-AMP  
(UNIVERSAL MATE-N-LOK)  
1-480710-0  
CONTACT-PIN  
350538-1



FIRST USED	STANDARDS
TITLE	DO NOT SCALE DRAWING
SHEET 4	PANEL - MONITOR
PART NO	133004

CONFIDENTIAL  
 THIS DOCUMENT, INCLUDING ALL INFORMATION CONTAINED HEREIN IS THE EXCLUSIVE AND CONFIDENTIAL PROPERTY OF VENTLINE DIVISION OF TOWING INDUSTRIES INC. THE DOCUMENT AND INFORMATION ARE NOT TO BE COPIED, REPRODUCED OR DELIVERED TO OTHERS, IN WHOLE OR IN PART, WITHOUT THE EXPRESS WRITTEN PERMISSION OF VENTLINE. THE DOCUMENT IS TO BE RETURNED PROMPTLY TO VENTLINE AFTER HAVING SERVED THE PURPOSE FOR WHICH DELIVERED.  
 ©1995 VENTLINE DIVISION, TOWING INDUSTRIES, INC.  
 All Rights Reserved, including the right to reproduce this document or any part thereof

LTR.	DESCRIPTION	DATE	CHK. BY	APP. BY
A	SEE PAGE 3 ECN 16381	ECN 16261	4-6-04	R.L. R.L.
B	L5130-02 WAS L5113-04	ECN 16394	4-21-04	R.L. R.L.



RED= GENERATOR POSITIVE  
 YLW= GENERATOR START  
 BRN= GENERATOR STOP  
 BLK= GENERATOR NEGATIVE

YLW= SOLAR-IN  
 GRN= SOLAR-IN GND.

RED= SOLAR-OUT  
 BLK= SOLAR-OUT GND.

GRY= HOLDING TANK 2 SENSOR  
 BRN= HOLDING TANK 1 SENSOR  
 RED= FRESH WATER TANK SENSOR  
 WHT/GRN= LP GAS TANK  
 12-RED/WHT= WATER PUMP REMOTE SW.  
 12-WHT/RED= WATER PUMP REMOTE SW.  
 12-RED= WATER PUMP SW.  
 YLW= D.S.I. WTR. HTR. POS.  
 WHT/BLU= WTR. HTR. PILOT LT.  
 WHT= NEGATIVE BATT. TERMINALS  
 BLK= HOUSE BATTERY POS.  
 RED= ENGINE BATTERY POS.

- NOTES:
- UNLESS OTHERWISE SPECIFIED ALL WIRE IS 22 AWG.
  - REF. DWG.'S:  
 HARNESS, INTERNAL & SWITCH= L7785-01, -02  
 HARNESS, GEN. INTERNAL & SWITCH= L7786-00  
 HARNESS, SOLAR LIGHT= L7722-00  
 PCB= L5130-02  
 HARNESS, TEST= L8012-00  
 TEST BOX= L8506-00
  - ALL PIGTAILS TO BE SUPPLIED BY CUSTOMER.
  - BEFORE PACKING, SECURE HARNESS WITH V00169-00 TIE WRAP ON RIGHT SIDE POST.

ENGLISH (TOLERANCE UNLESS SPECIFIED)  
 0 PL.: .040  
 2 PL.: .010  
 1 PL.: .020  
 3 PL.: .005  
 FRACTIONS 1/64

PART NO.	REV'D	MATERIAL	DESCRIPTION	DWG SIZE
BLANK		BLANK	WGT	USED
DRWN DATE		MATERIAL	USED ON	
DRWN DATE		MATL	MATL	
CHECKED DATE		NAME	SCALE	
CHECKED DATE		DWGNAME	DWG. NO. PG 1 OF 4	
APPV'D DATE		DWGNAME	DWGNO	

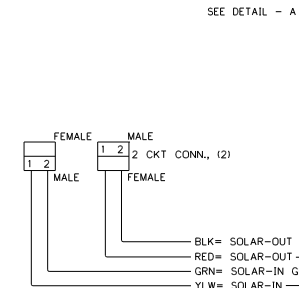
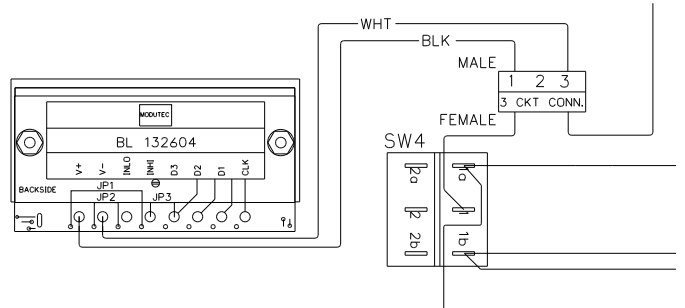
FIRST USED	STANDARD
TITLE	DO NOT SCALE DRAWING
TITLE	PANEL - MONITOR
SHEET 5	PART NO 133004



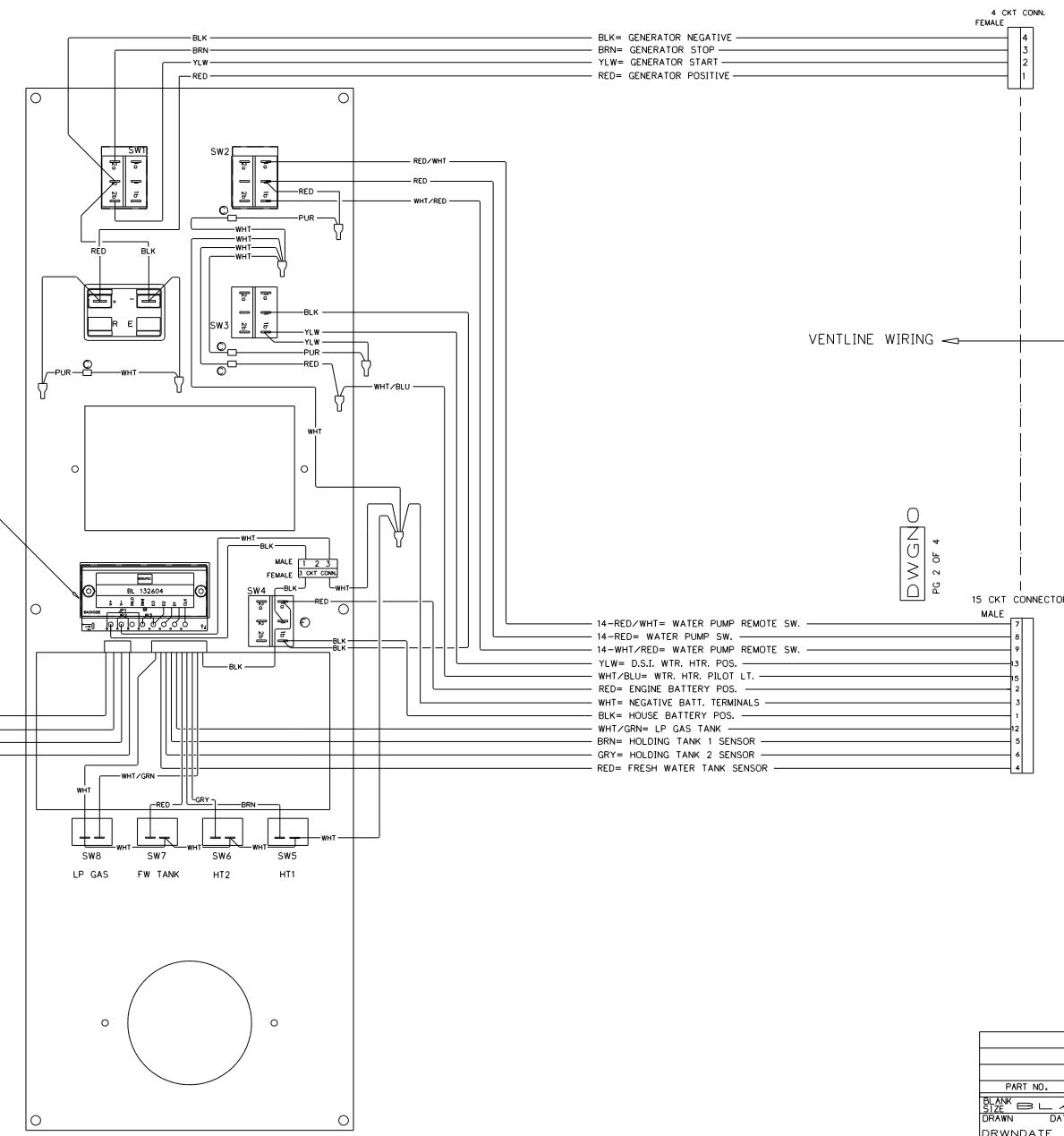
CONFIDENTIAL  
 THIS DOCUMENT, INCLUDING ALL INFORMATION CONTAINED HEREIN IS THE EXCLUSIVE  
 AND CONFIDENTIAL PROPERTY OF VENTLINE DIVISION OF TOMING INDUSTRIES INC.  
 THE DOCUMENT AND INFORMATION HEREIN NOT TO BE COPIED, REPRODUCED OR DELIVERED  
 TO OTHERS, IN WHOLE OR IN PART, WITHOUT THE EXPRESS WRITTEN PERMISSION OF  
 VENTLINE. THE DOCUMENT IS TO BE RETURNED PROMPTLY TO VENTLINE AFTER HAVING  
 SERVED THE PURPOSE FOR WHICH DELIVERED.  
 ©1995 VENTLINE DIVISION, TOMING INDUSTRIES, INC.  
 All Rights Reserved, including the right to reproduce this document in any part thereof.

LTR.	DESCRIPTION	DATE	CHK'D	APP'D
A	SEE PAGE 3 ECN 16381	4-6-04	RUL	RUL
B	LS130-02 WAS LS113-04 ECN 16394	4-21-04	RUL	RUL

DETAIL - A



- NOTES:
- UNLESS OTHERWISE SPECIFIED ALL WIRE IS 22 AWG.
  - REF. DWG.'S:  
 HARNESS, INTERNAL & SWITCH= L7785-01, -02  
 HARNESS, GEN. INTERNAL & SWITCH= L7786-00  
 HARNESS, SOLAR LIGHT= L7722-00  
 PCB= LS130-02  
 HARNESS, TEST= L8012-00  
 TEST BOX= L8506-00
  - ALL PIGTAILS TO BE SUPPLIED BY CUSTOMER.
  - BEFORE PACKING, SECURE HARNESS WITH V00167-00 TIE WRAP ON RIGHT SIDE POST.



- 14-RED/WHT= WATER PUMP REMOTE SW.
- 14-RED= WATER PUMP SW.
- 14-WHT/RED= WATER PUMP REMOTE SW.
- YLW= D.S.I. WTR, HTR, POS.
- WHT/BLU= WTR, HTR, PILOT LT.
- RED= ENGINE BATTERY POS.
- WHT= NEGATIVE BATT. TERMINALS
- BLK= HOUSE BATTERY POS.
- WHT/GRN= LP GAS TANK
- BRN= HOLDING TANK 1 SENSOR
- GRY= HOLDING TANK 2 SENSOR
- RED= FRESH WATER TANK SENSOR

DWG NO  
 PG 2 OF 4

ENGLISH (TOLERANCE UNLESS SPECIFIED)  
 0 PL.: .040 1 PL.: .020  
 2 PL.: .010 3 PL.: .005  
 FRACTIONS: 1/64

PART NO.	REV'D	MATERIAL	DESCRIPTION	DWG SIZE
BLANK SIZE		BLANK WGT	USED ON	
DRAWN	DATE	MATERIAL	USED ON	
DRWNDATE	DATE	MATL	MATL	
CHECKED	DATE			
CHECKDATE	DATE			
APPV'D	DATE			

PHILIPS IND. INC.  
 VENTLINE DIVISION  
 BRISTOL, INDIANA 46507

SCALE: SCALE  
 DWG. NO. PG 2 OF 4  
 DWGNO

FIRST USED	STANDARD
TITLE:	DO NOT SCALE DRAWING
	PANEL - MONITOR
SHEET 7	PART NO 133004