



DANGER

Danger of electrical shock, burns or death. Always remove all power sources before attempting any repair, service or diagnostic work. Power can be present from shore power, generator, inverter or battery. All power sources must be disabled and secured before performing any service.



CAUTION

If you lack the skills, tools or equipment to perform diagnostic or repair work leave such work to an authorized Winnebago Industries dealer or other qualified shop.

10 FUSE HOLDER
115187-02-000
SCREW
G39-10-16B (2)
FUSE-300 AMP
115187-01-000
(CENTER BETWEEN
BATTERY AND TOP
OF COMPT.)

CABLE ASM
133568-11-02 (2)
CABLE ASM
141416-02-009
CABLE ASM
141417-52-023
CABLE ASM
141416-61-030
CLAMP
83610-01-000 (2)
GROMMET
23942-01-000 (2)

BATTERY
63739-03-000 (3)
BOLT
51387-06-000 (4)
NUT
D39-05-00B (4)
44364-02-000 (4)

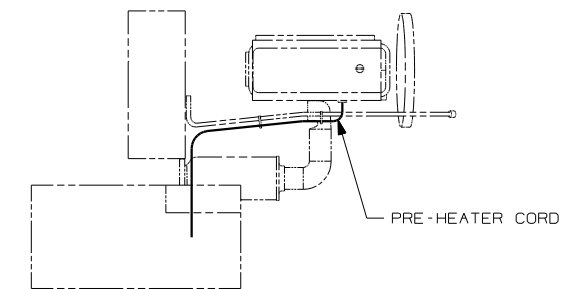
WIRE TIE
CABLE ASM
133568-01-002 (2)
CABLE ASM
133568-11-016

CABLE ASM-TEMPERATURE, BATTERY
148254-04-000
CABLE ASM
133567-14-030

FROM INVERTER/
CHARGER
TO CHASSIS BATTERIES
DETAIL AA

COACH BATTERY CABLE
TO COACH BATTERY MODE SOLENOID
CHASSIS BATTERY CABLE
TO CHASSIS BATTERY MODE SOLENOID

DETAIL AA
(CHASSIS BATTERIES
NOT SHOWN)



DETAIL AB 3

4 BATTERY (2)
4 CABLE ASM
CABLE ASM 4
STRAP
138914-01-000 (2)
BOLT
51387-06-000 (3)
NUT
D39-05-00B (3)
NUT
44364-02-000 (3)

CABLE ASM
133568-11-013
CABLE ASM-GROUND
4 CABLE ASM-GROUND
CABLE ASM
141417-12-025

DETAIL AA
(COACH BATTERIES
NOT SHOWN)

TO CHASSIS SIDE OF
AUX START SOLENOID
CHASSIS SUPPLIED
POWER WIRES
CHASSIS SUPPLIED
GROUND WIRES

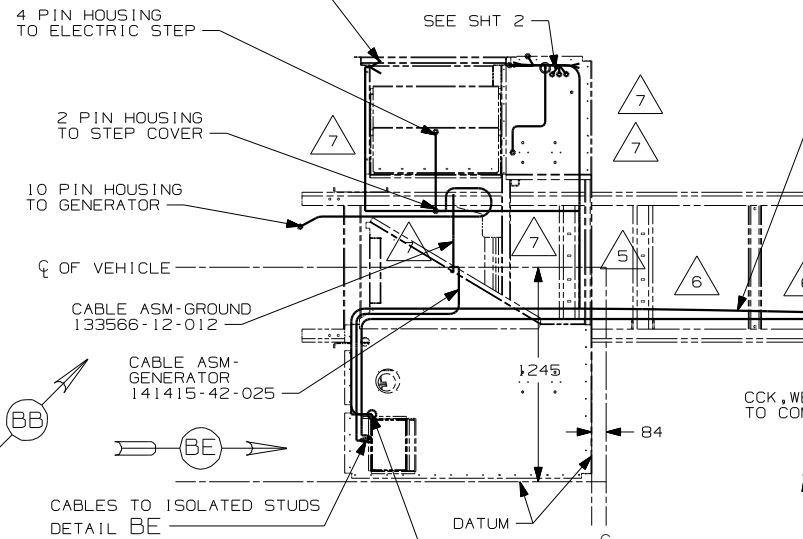
KD,MP
TO STEP SWITCH

4 PIN HOUSING
TO ELECTRIC STEP

2 PIN HOUSING
TO STEP COVER

10 PIN HOUSING
TO GENERATOR

SEE SHT 2



- 8 ROUTE AND CLAMP WIRE ALONG UPPER TUBE IN BATTERY COMPT.
- 7 CLAMP 10497-03-000, SCREW G39-08-12B
- 6 CLAMP 83610-01-000, SCREW G39-08-12B
- 5 USE TIE-WIRE 8343-04-000 TO SECURE WIRES TO FLOOR SUPPORT FRAME AT LEAST ONCE EVERY 600MM.
- 4 SUPPLIED WITH CHASSIS
- 3 SECURE CORD AWAY FROM ALL MOVING PARTS AND EXHAUST WITH TIE-WIRE 93147-01-000 AS REQUIRED.
- 2 SEE WIRING INSTL-FRONT END FOR ADDITIONAL INFORMATION.

- 11 ROUTE WIRES IN FRAME RAIL WHEN APPLICABLE.
- 10 MOUNT FUSE HOLDER HORIZONTALLY 20MM DOWN FROM FLOOR TUBE.
- 9 CONNECT RING TERMINAL OF CABLE ASM-TEMP, BATTERY TO NEGATIVE POST AS SHOWN AND ROUTE CABLE WITH NEGATIVE BATTERY CABLE TO INVERTER.

FOR ELECTRICAL TORQUE SPECIFICATIONS SEE DWG NO. 128783-01-000

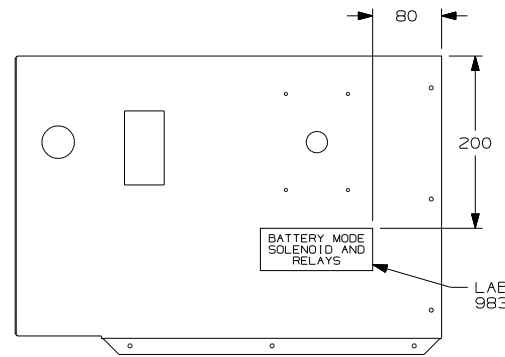
FOR ELECTRICAL CALLOUTS SEE DWG NO. 121339-01-000

1FC FREIGHTLINER CHASSIS-24,850#
265 CODES/STANDARDS-CSA/CMVSS
1B1 CODES/STANDARDS-USA

		COPYRIGHT 2004 WINNEBAGO INDUSTRIES, INC.
DFT	ORIG. DATE	
CHKR	ALL DIMENSIONS ARE IN MILLIMETERS	
P.E.	FIRST USED	
M.E.	06 S40KD	
DSNR	UNSPECIFIED TOLERANCES ARE:	MATERIAL:
	WHOLE DIM (X) : 3	
	ONE-PLACE (X.X) : 1.5	
	TWO-PLACE (X.XX) : 0.50	
	ANGLE : 1°	
	THIRD ANGLE PROJECTION	
DO NOT SCALE DRAWING		
TITLE: WIRING INSTL-CHASSIS		
SHEET 1 OF 2	PART NO	152887
REF:	1 12/12/2005	

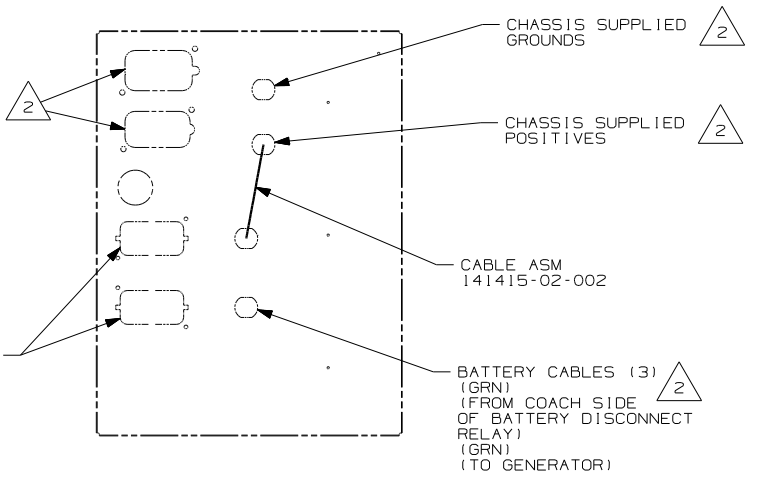
1. LEGEND: — WINNEBAGO: - - - - - CABLE: - - - - - CHASSIS SUPPLIED WIRING.

NOTES:

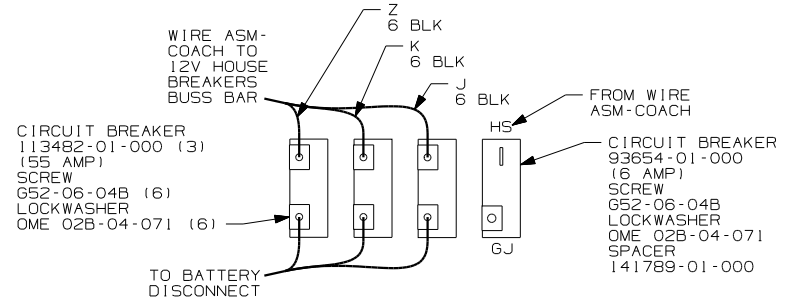


DETAIL BF

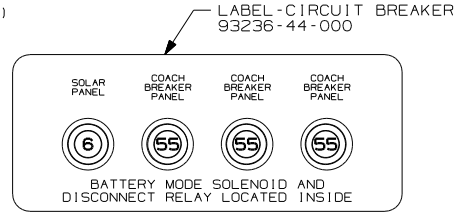
LABEL-ELECTRICAL BOX
98379-04-000



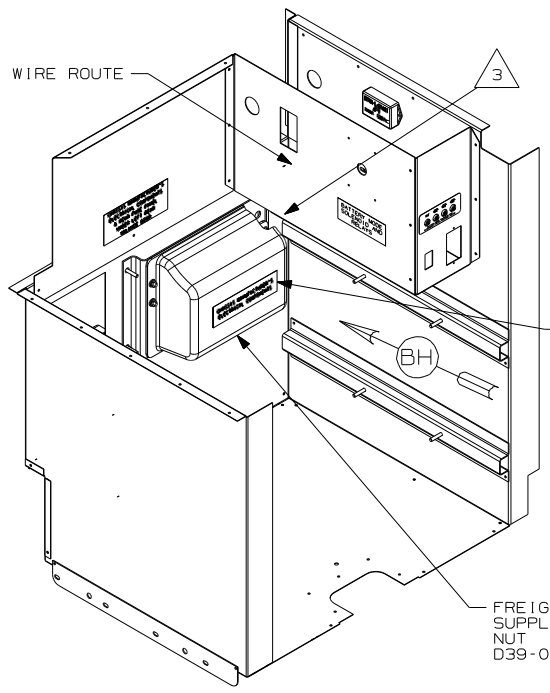
DETAIL BE



VIEW BD
(BACK VIEW-COMPONENTS)



VIEW BD

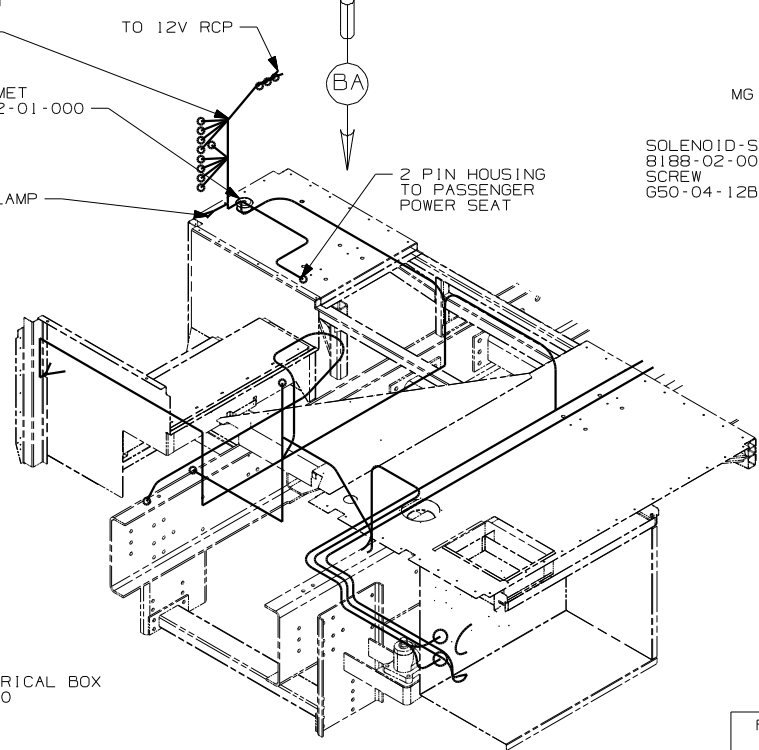


VIEW BG

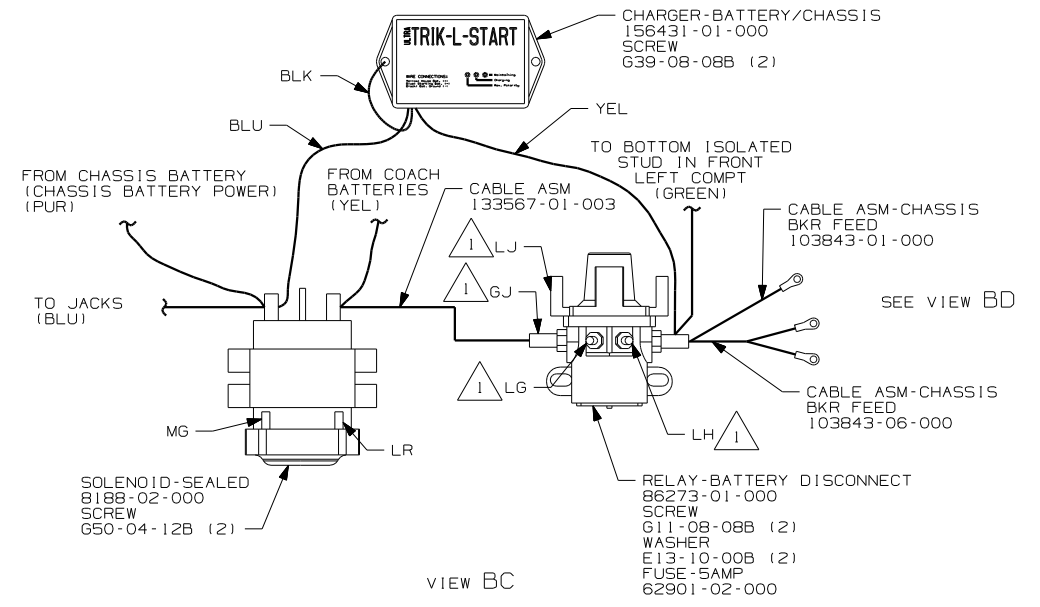
LABEL-ELECTRICAL BOX
98379-07-000

FREIGHTLINER
SUPPLIED PANEL
NUT
D39-04-00B (4)

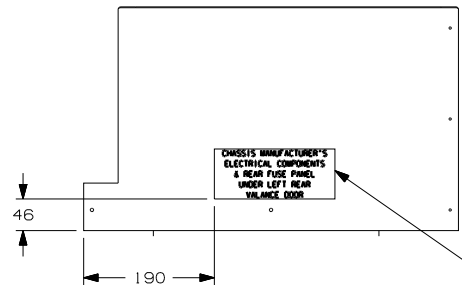
- 12 PIN HOUSING (11)
- TO AWNING SELECTOR SWITCH
- TO AWNING CONTROL SWITCH
- TO STEP SWITCH
- TO BATTERY DISCONNECT SWITCH
- TO COMPT DOOR LOCK SWITCH
- TO DOOR LOCK SWITCH
- TO PORCH LAMP SWITCH
- TO LOUNGE CEILING LAMP SWITCH
- TO STEP COVER SWITCH
- TO PASSENGER SUNVISOR SWITCH
- TO READING LAMP SWITCH
- 3 & 9 PIN HOUSING
- TO WIRE ASM-SIDEWALL



VIEW BB

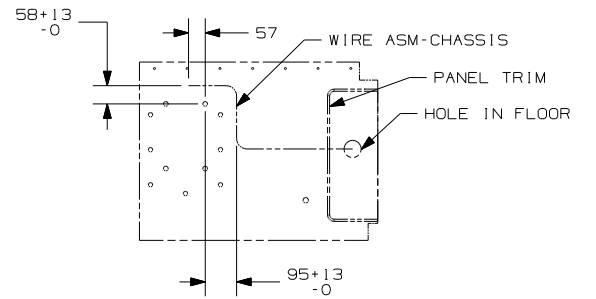


VIEW BC



VIEW BH

LABEL-ELECTRICAL BOX
98379-08-000



DETAIL BA

- NOTES:
- 3 BOX TO BE ORIENTED SO CHASSIS WIRING ROUTES OUT THE TOP RIGHT CORNER.
 - 2 SEE WIRING INSTL-FRONT END FOR ADDITIONAL INFORMATION.
 - 1 CIRCUITS BRANCH FROM WIRE ASM-CHASSIS.

FOR ELECTRICAL
TORQUE
SPECIFICATIONS
SEE DWG NO.
128783-01-000

FOR ELECTRICAL
CALLOUTS
SEE DWG NO.
121339-01-000

FIRST USED	06 S40KD
TITLE	DO NOT SCALE DRAWING
	WIRING INSTL-CHASSIS
SHEET 2	PART NO 152887