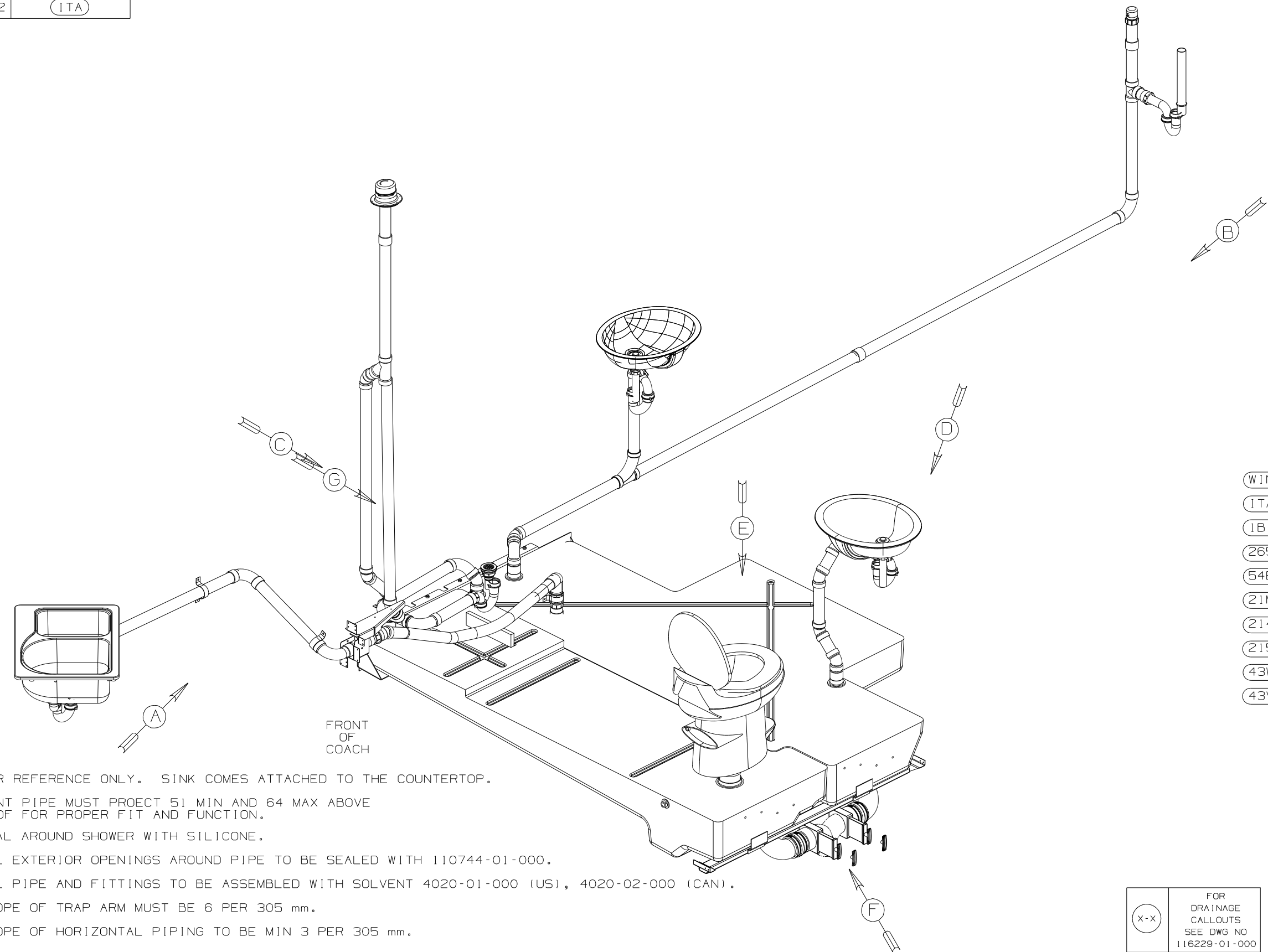


DWG NO	--
152180-01	(WIN)
152180-02	(ITA)

RELEASE	REV DATE	DWG NO
A		152180
REV ZONE	REVISION RECORD	DATE

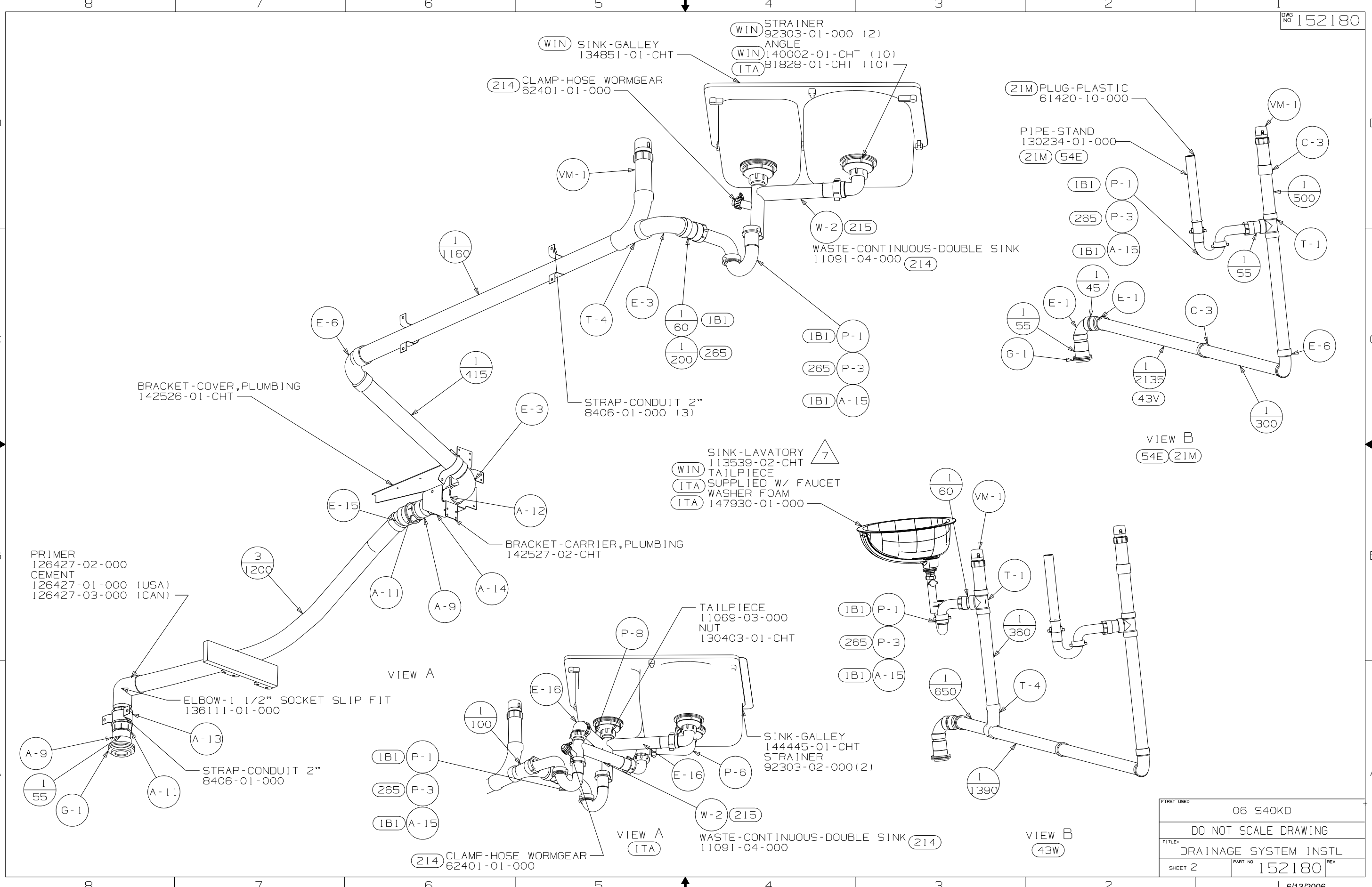


- NOTES:
- 7 FOR REFERENCE ONLY. SINK COMES ATTACHED TO THE COUNTERTOP.
 - 6 VENT PIPE MUST PROJECT 51 MIN AND 64 MAX ABOVE ROOF FOR PROPER FIT AND FUNCTION.
 5. SEAL AROUND SHOWER WITH SILICONE.
 4. ALL EXTERIOR OPENINGS AROUND PIPE TO BE SEALED WITH 110744-01-000.
 3. ALL PIPE AND FITTINGS TO BE ASSEMBLED WITH SOLVENT 4020-01-000 (US), 4020-02-000 (CAN).
 2. SLOPE OF TRAP ARM MUST BE 6 PER 305 mm.
 1. SLOPE OF HORIZONTAL PIPING TO BE MIN 3 PER 305 mm.

- (WIN) WINNEBAGO ONLY
- (ITA) ITASCA ONLY
- (IBI) CODES/STANDARDS USA
- (265) CODES/STDS-CSA, CMVSS
- (54E) WASHER DRYER
- (21M) WASHER/DRYER PREP
- (214) DISHWASHER DRAWER STYLE
- (215) DISHWASHER WITHOUT
- (43W) CABINET-LAVATORY
- (43V) CABINET-CHEST OF DRAWERS

(X-X)
FOR DRAINAGE CALLOUTS SEE DWG NO 116229-01-000

WINNEBAGO		COPYRIGHT 2006 WINNEBAGO INDUSTRIES, INC.	
DFT	ORIG. DATE	ALL DIMENSIONS ARE IN MILLIMETERS	
CHKR		FIRST USED	
P.E.		06 S40KD	
M.E.		UNSPECIFIED TOLERANCES ARE:	
DSNR		MATERIAL:	
		WHOLE DIM (X)	: 3
		ONE-PLACE (X.X)	: 1.5
		TWO-PLACE (X.XX)	: 0.50
		ANGLE	: 1°
THIRD ANGLE PROJECTION		DO NOT SCALE DRAWING	
TITLE: DRAINAGE SYSTEM INSTL			
SHEET 1 OF 4	PART NO	152180	REV
REF:	1 6/13/2006		



BRACKET-COVER, PLUMBING
142526-01-CHT

PRIMER
126427-02-000
CEMENT
126427-01-000 (USA)
126427-03-000 (CAN)

ELBOW-1 1/2" SOCKET SLIP FIT
136111-01-000

STRAP-CONDUIT 2"
8406-01-000

(WIN) SINK-GALLEY
134851-01-CHT

(WIN) STRAINER
92303-01-000 (2)
ANGLE
(WIN) 140002-01-CHT (10)
(ITA) 81828-01-CHT (10)

(214) CLAMP-HOSE WORMGEAR
62401-01-000

(21M) PLUG-PLASTIC
61420-10-000

PIPE-STAND
130234-01-000
(21M) 54E

WASTE-CONTINUOUS-DOUBLE SINK
11091-04-000 (214)

STRAP-CONDUIT 2"
8406-01-000 (3)

(WIN) SINK-LAVATORY
113539-02-CHT
TAILPIECE
(ITA) SUPPLIED W/ FAUCET
WASHER FOAM
(ITA) 147930-01-000

BRACKET-CARRIER, PLUMBING
142527-02-CHT

TAILPIECE
11069-03-000
NUT
130403-01-CHT

SINK-GALLEY
14445-01-CHT
STRAINER
92303-02-000 (2)

WASTE-CONTINUOUS-DOUBLE SINK
11091-04-000 (214)

VIEW B
54E 21M

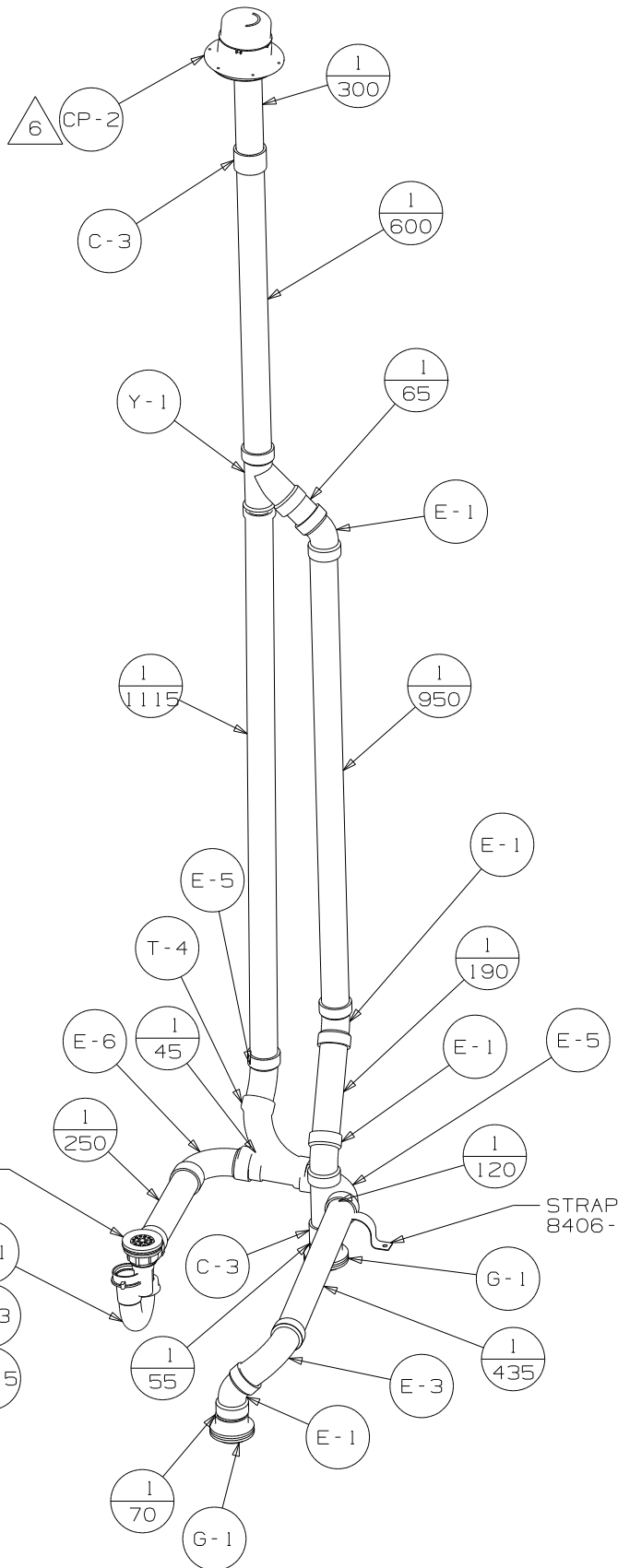
VIEW A

VIEW A
(ITA)

VIEW B
(43W)

(214) CLAMP-HOSE WORMGEAR
62401-01-000

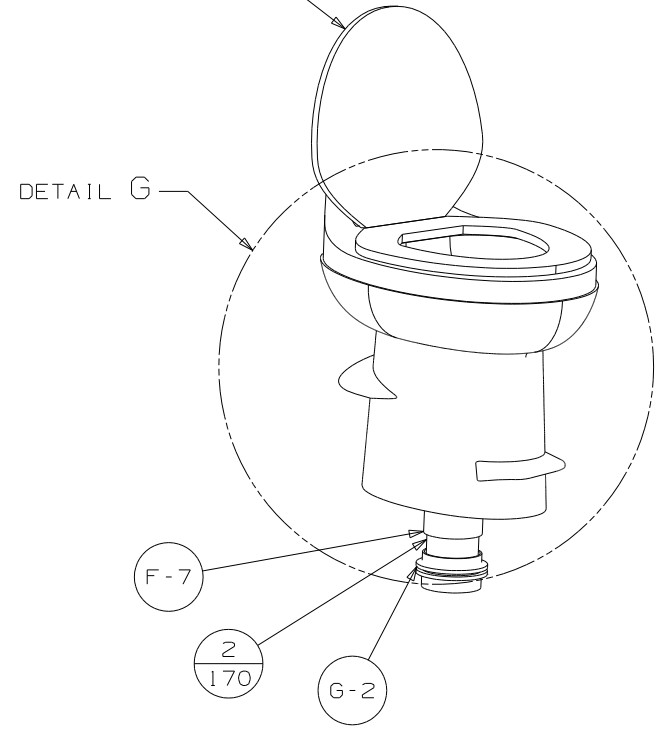
FIRST USED	06 S40KD		
TITLE	DO NOT SCALE DRAWING		
	DRAINAGE SYSTEM INSTL		
SHEET 2	PART NO	152180	REV



SHOWER COMPL
142530-04-XXX
STRAINER
66440-01-000
GASKET
132376-01-CHT
NUT
130403-01-000
TAILPIECE
11069-06-000

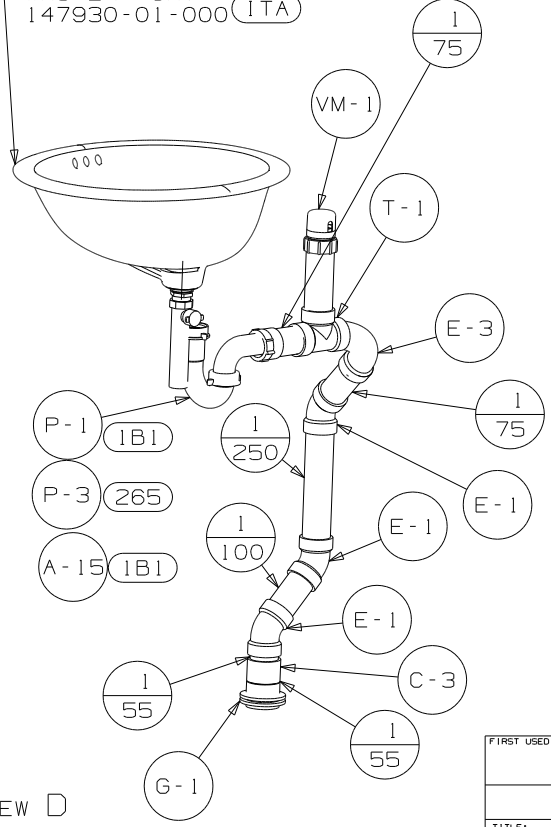
VIEW C

(WIN) TOILET
152830-01-CHT
SCREW
87721-01-000 (8)



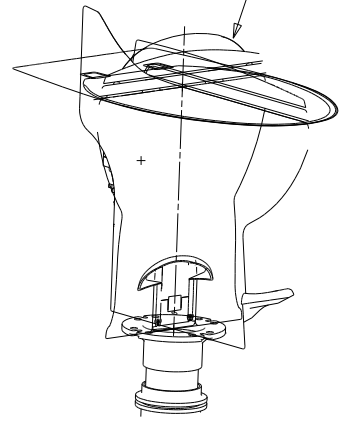
DETAIL G

SINK-LAVATORY
155318-01-CHT
TAILPIECE (WIN)
151556-01-CHT (ITA)
SUPPLIED W/ FAUCET (ITA)
SCREW
G67-08-10U (10)
ANGLE
153338-02-CHT (10)
SEAL
91255-02-000 (A/R)
WASHER FOAM
147930-01-000 (ITA)



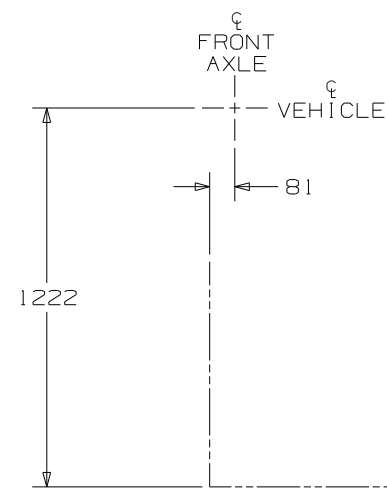
VIEW D

TOILET
152831-01-CHT
SCREW
87721-01-000 (8)

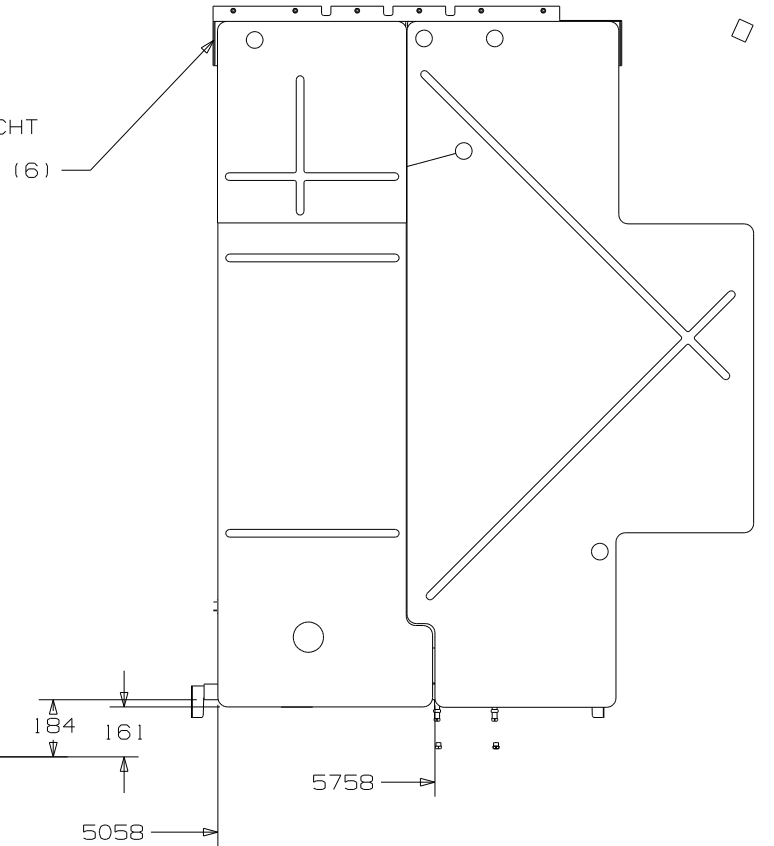


DETAIL G
(ITA)

FIRST USED	06 S40KD		
TITLE	DO NOT SCALE DRAWING		
	DRAINAGE SYSTEM INSTL		
SHEET 3	PART NO	152180	REV

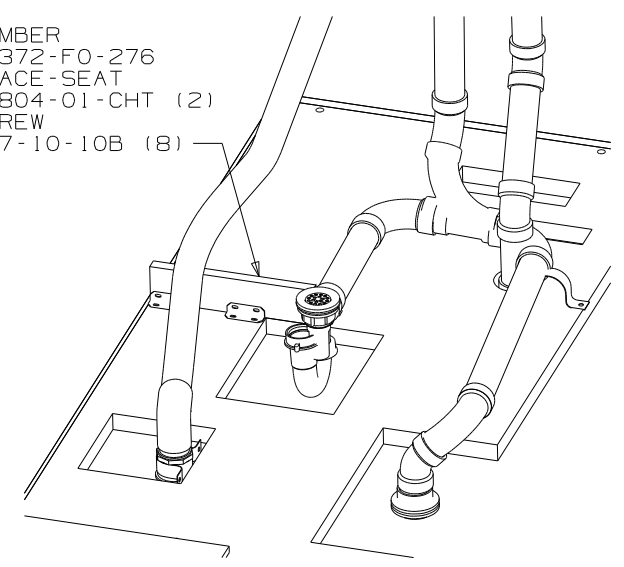


BRACKET
152443-01-CHT
BOLT
C26-05-12B (6)



VIEW E

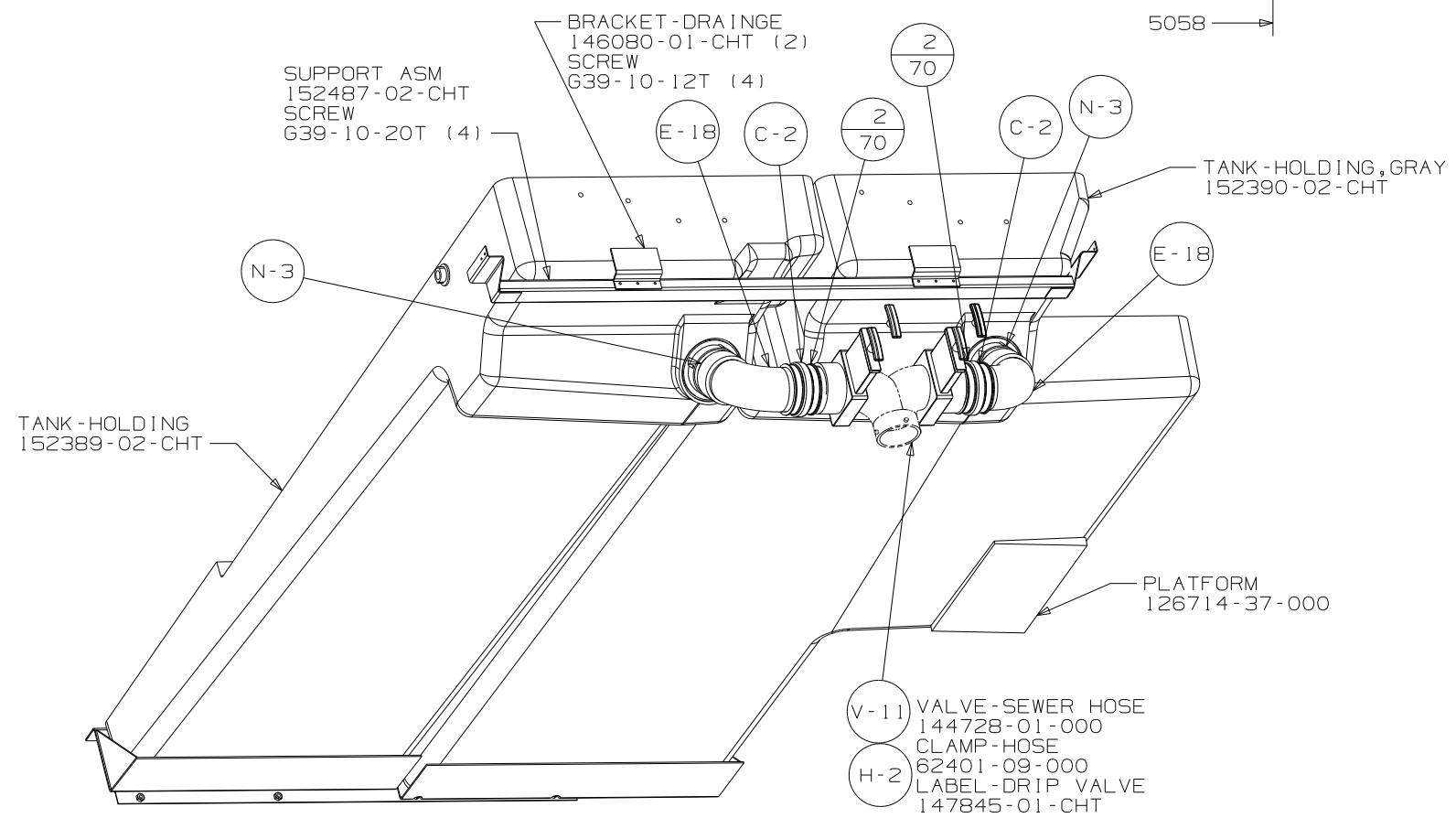
LUMBER
52372-FO-276
BRACE-SEAT
79804-01-CHT (2)
SCREW
G67-10-10B (8)



VIEW G

SUPPORT ASM
152487-02-CHT
SCREW
G39-10-20T (4)

BRACKET-DRAINAGE
146080-01-CHT (2)
SCREW
G39-10-12T (4)

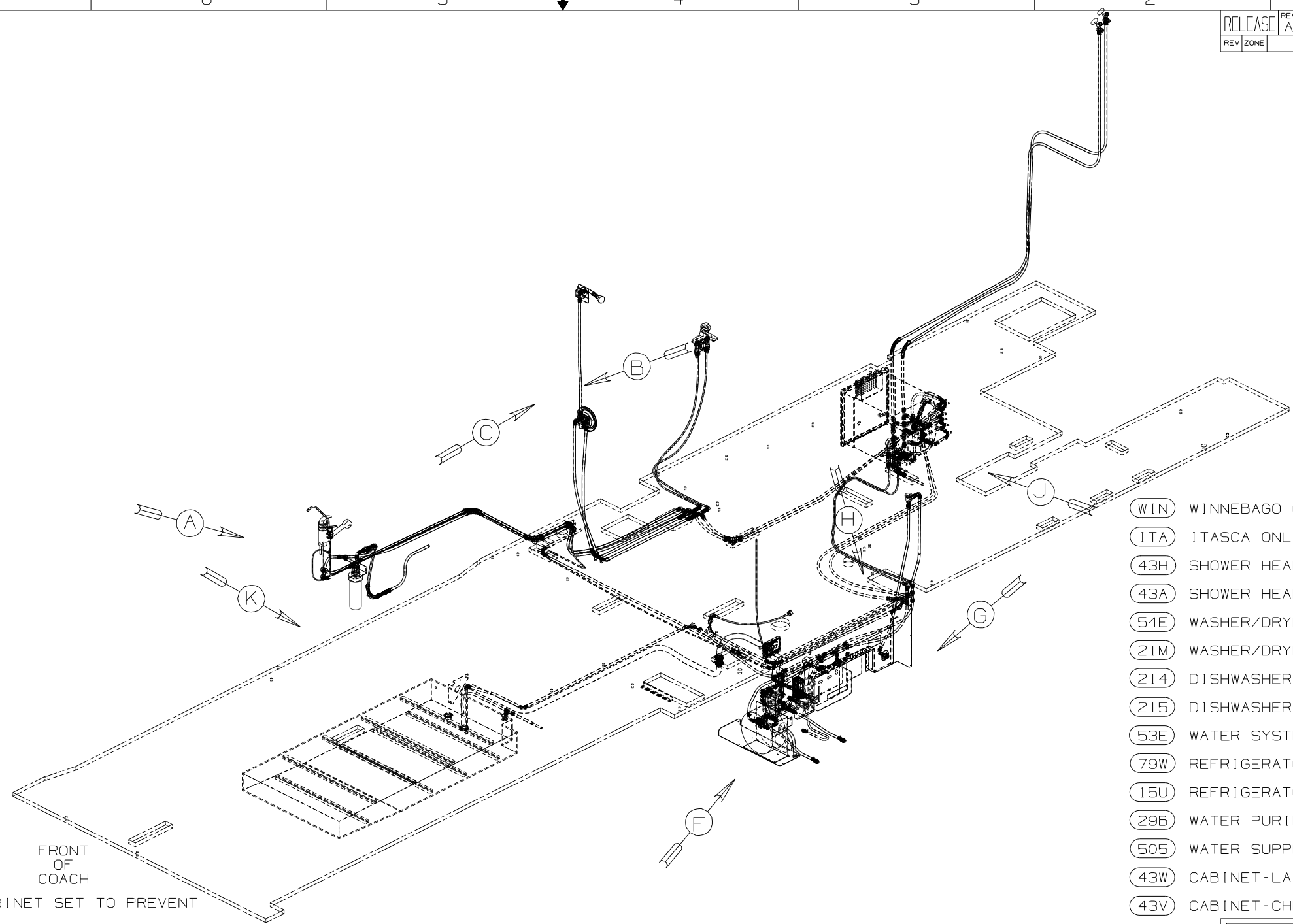


VIEW F

FIRST USED	06 S40KD	
TITLE	DRAINAGE SYSTEM INSTL	
SHEET 4	PART NO 152180	REV

DWG NO	----
152187-01	(WIN)
152187-02	(ITA)

RELEASE	REV DATE	DWG NO
A		152187
REV ZONE	REVISION RECORD	DATE
		DFT-016



- (WIN) WINNEBAGO ONLY
- (ITA) ITASCA ONLY
- (43H) SHOWER HEAD-HAND HELD
- (43A) SHOWER HEAD-FIXED
- (54E) WASHER/DRYER
- (21M) WASHER/DRYER PREP
- (214) DISHWASHER/BUILT-IN
- (215) DISHWASHER WITHOUT
- (53E) WATER SYSTEM WINTERIZATION PKG
- (79W) REFRIGERATOR-4 DR W/ICEMAKER
- (15U) REFRIGERATOR DBL DR W/ICEMAKER
- (29B) WATER PURIFICATION SYSTEM
- (505) WATER SUPPLY HOSE-W/REEL
- (43W) CABINET-LAVATORY
- (43V) CABINET-CHEST OF DRAWERS

- NOTES:
1. PLASTIC FITTINGS TO BE SEALED WITH SEALANT 84456-01-000.
 2. TUBING TO BE INSTALLED WITH SUFFICIENT SLOPE TO PROVIDE DRAINAGE TO NEAREST VALVE.
 3. ALL TUBING TO BE SECURED AT 1200 INTERVALS MAXIMUM WITH CLAMP 10495-01-000 AND SCREW G67-10-12B OR EQUIVALENT.
4. FLUSHING SYSTEM REQUIRES 125697-06-000 INSTRUCTION SHEET.
5. ADD TEFLON TAPE 10405-02-000.
6. ADD TEFLON TAPE 10405-01-000.
7. ADD TEFLON TAPE 10405-03-000.
8. LABEL HOT AND COLD SUPPLY TUBES.
9. TAPE FITTING TO TUBE BEFORE CABINET SET TO PREVENT FITTING FROM MOVING.

(X-X)
FOR
WATER
CALLOUTS
SEE DWG NO
116230-01-000

WINNEBAGO		COPYRIGHT 2006 WINNEBAGO INDUSTRIES, INC.	
DFT#	ORIG. DATE	ALL DIMENSIONS ARE IN MILLIMETERS	
CHKR		FIRST USED	
P.E.		06 S40KD	
M.E.		UNSPECIFIED TOLERANCES ARE:	
DSNR		MATERIAL:	
		WHOLE DIM (X)	: 3
		ONE-PLACE (X.X)	: 1.5
		TWO-PLACE (X.XX)	: 0.50
		ANGLE	: 1°
THIRD ANGLE PROJECTION		DO NOT SCALE DRAWING	
TITLE: WATER SYSTEM INSTL			
SHEET 1 OF 4	PART NO	152187	REV
REF:	1 6/13/2006		

(21M) FAUCET
(54E) 98419-01-000 (2)

(WIN) (43W) FAUCET-LAV, SGL CTRL
134735-01-CHT
FAUCET-VALVE
(ITA) (43W) 149174-01-CHT
(ITA) (43W) FAUCET-TRIM KIT
153456-01-CHT
(43W) SPACER
105218-01-CHT

ADAPTOR-BRASS, 3/8X1/2MPT
146297-01-000

FAUCET-LAV
134735-01-CHT (WIN)
FAUCET-VALVE
149174-01-CHT (ITA)
FAUCET-TRIM KIT
153456-01-CHT (ITA)
SPACER
105218-01-CHT

FAUCET-TRIM KIT (43A)
144596-03-CHT
144596-01-CHT

VALVE-SHOWER HEAD (43A)
128974-01-CHT

BRACKET-SHOWER HEAD
143101-01-CHT
PLATE-COVER
143218-01-CHT
SCREW
639-08-089 (2)

BREAKER-VACUUM
125697-04-000
CHECK-VALVE
125697-03-000
(MUST BE MOUNTED ABOVE
TOILET FLOOD LEVEL)

TO REFRIGERATOR

TO TOILET

FAUCET (29B)
103635-01-000

FAUCET-GALLEY (WIN)
123744-03-CHT (ITA)
144444-01-CHT (ITA)
BACKING
139295-01-CHT (WIN)
137079-03-CHT (ITA)

DROP ELL
135028-02-CHT
SPACER
130041-03-CHT
VALVE-SHOWER HEAD
128974-01-CHT

SHOWER HEAD
143525-01-CHT

FILTER
87200-01-000
CARTRIDGE
87200-02-000
SCREW
667-10-12U (2)

FAUCET-TRIM KIT
144596-02-CHT
144596-01-CHT

133

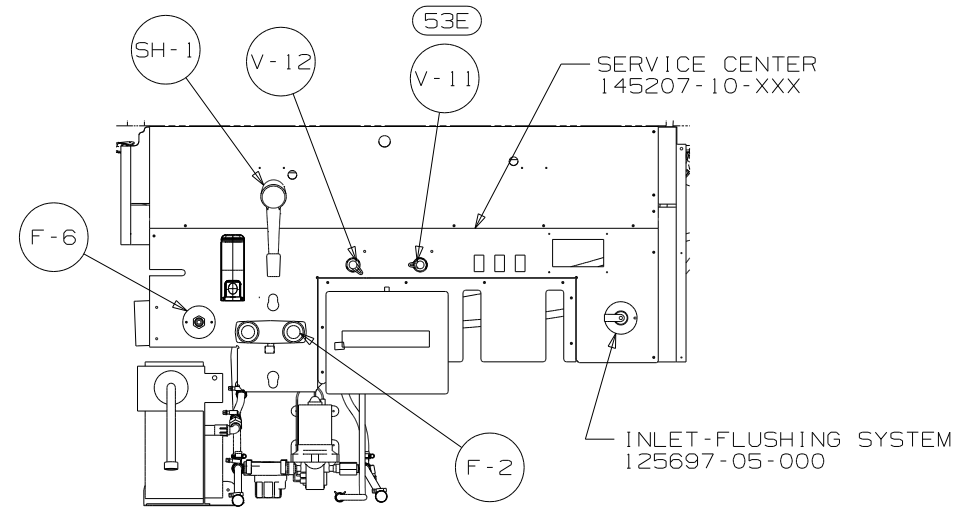
VIEW B
(43H)

VIEW C
(43H)

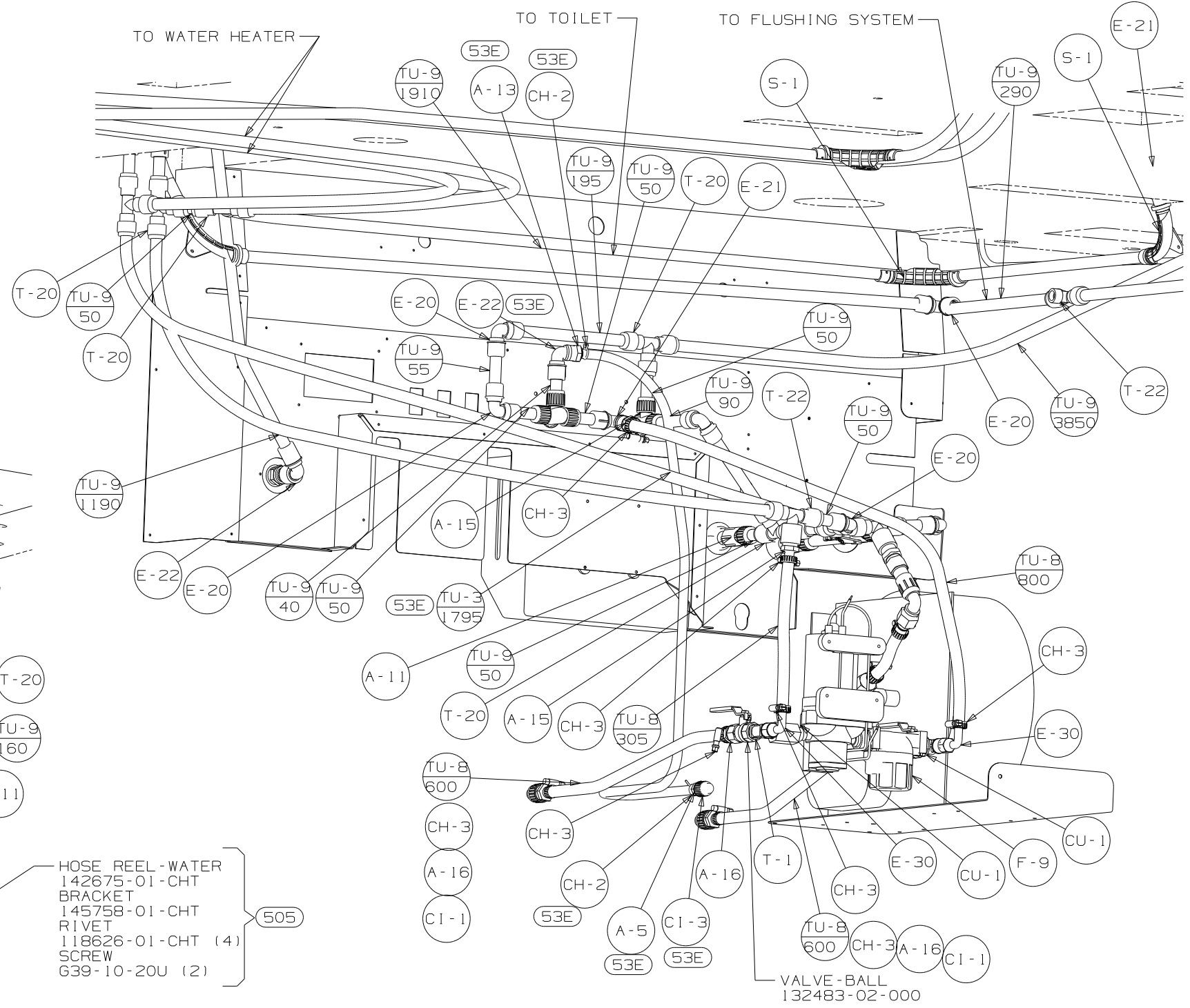
VIEW A

VIEW D

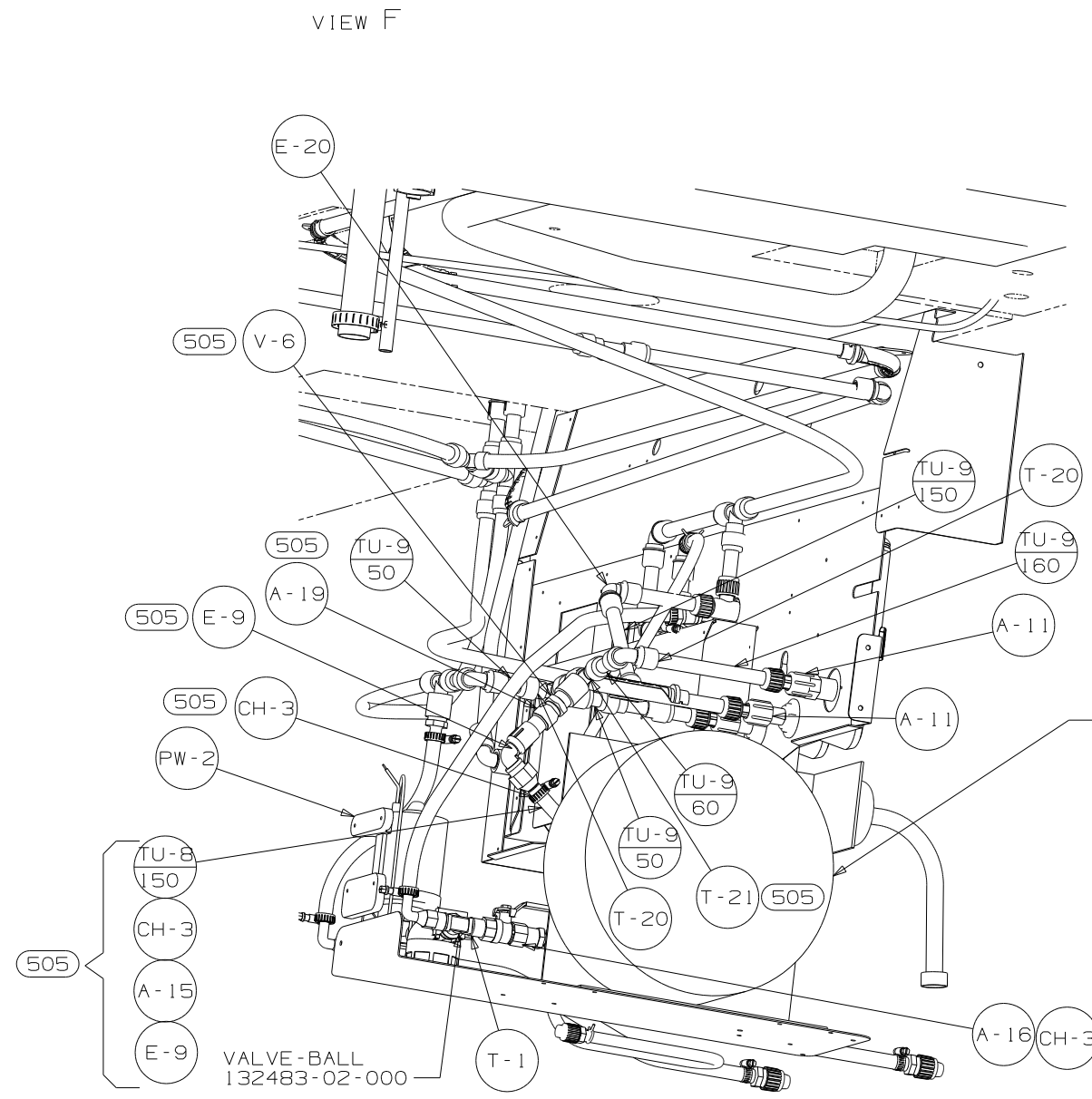
FIRST USED	06 S40KD	
TITLE	DO NOT SCALE DRAWING	
TITLE	WATER SYSTEM INSTL	
SHEET 2	PART NO	152187
REV		



VIEW F



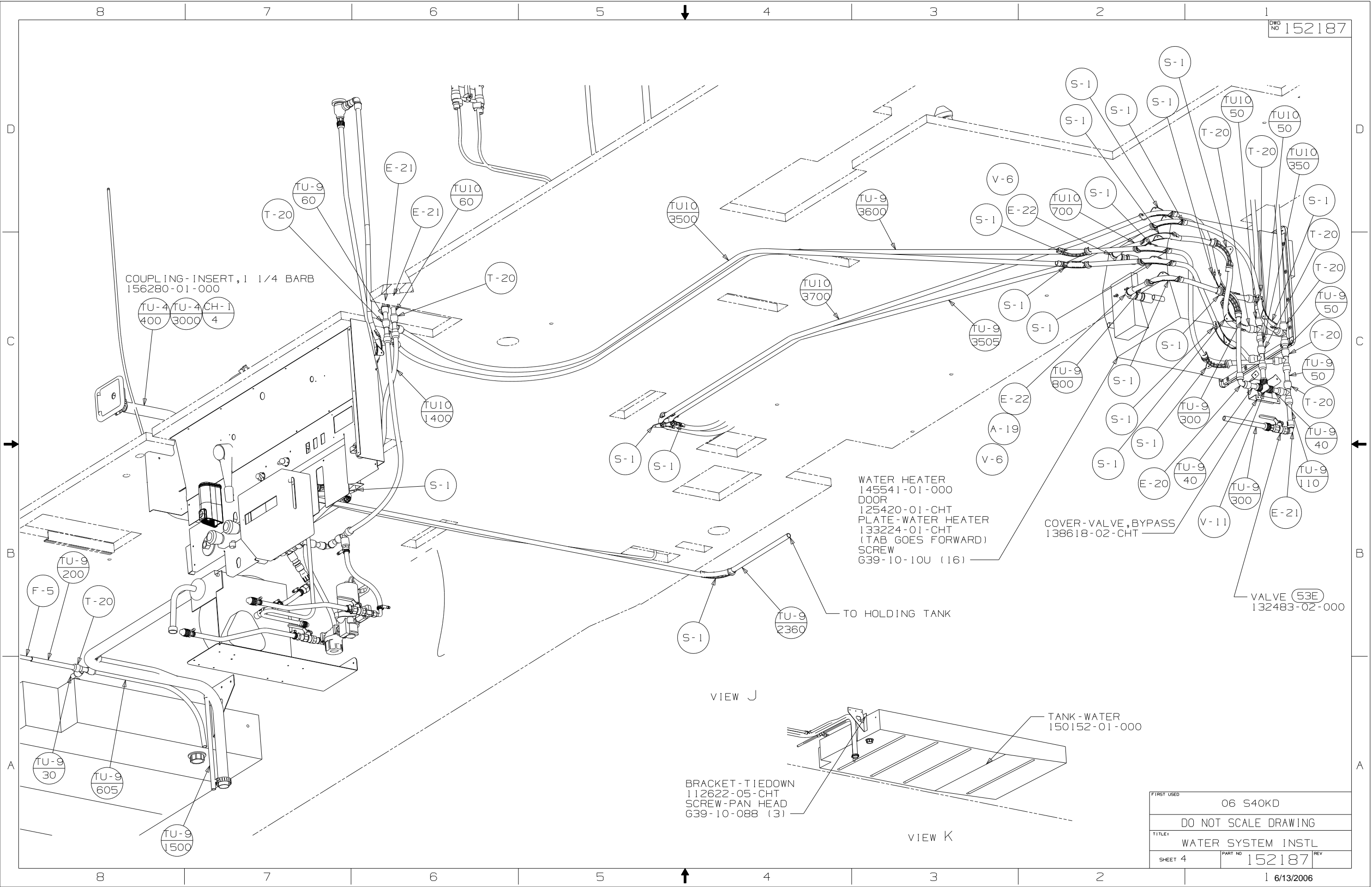
VIEW H



VIEW G

- HOSE REEL-WATER 142675-01-CHT
- BRACKET 145758-01-CHT
- RIVET 118626-01-CHT (4)
- SCREW 639-10-20U (2)

FIRST USED	06 S40KD	
TITLE	DO NOT SCALE DRAWING	
TITLE	WATER SYSTEM INSTL	
SHEET 3	PART NO	152187
REV		



COUPLING-INSERT, 1 1/4 BARB
156280-01-000

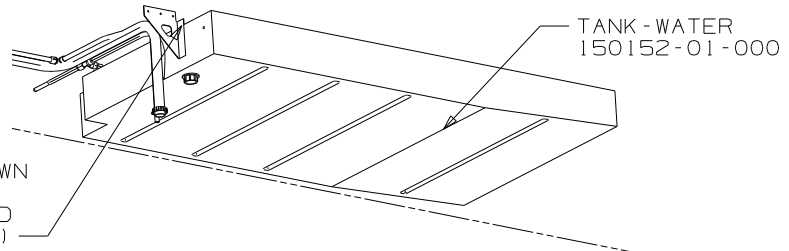
TU-4 400
TU-4 CH-1 3000 4

WATER HEATER
145541-01-000
DOOR
125420-01-CHT
PLATE-WATER HEATER
133224-01-CHT
(TAB GOES FORWARD)
SCREW
639-10-10U (16)

COVER-VALVE, BYPASS
138618-02-CHT

VALVE (53E)
132483-02-000

VIEW J



VIEW K

BRACKET-TIEDOWN
112622-05-CHT
SCREW-PAN HEAD
639-10-088 (3)

TANK-WATER
150152-01-000

FIRST USED	06 S40KD
TITLE	DO NOT SCALE DRAWING
TITLE	WATER SYSTEM INSTL
SHEET 4	PART NO 152187 REV