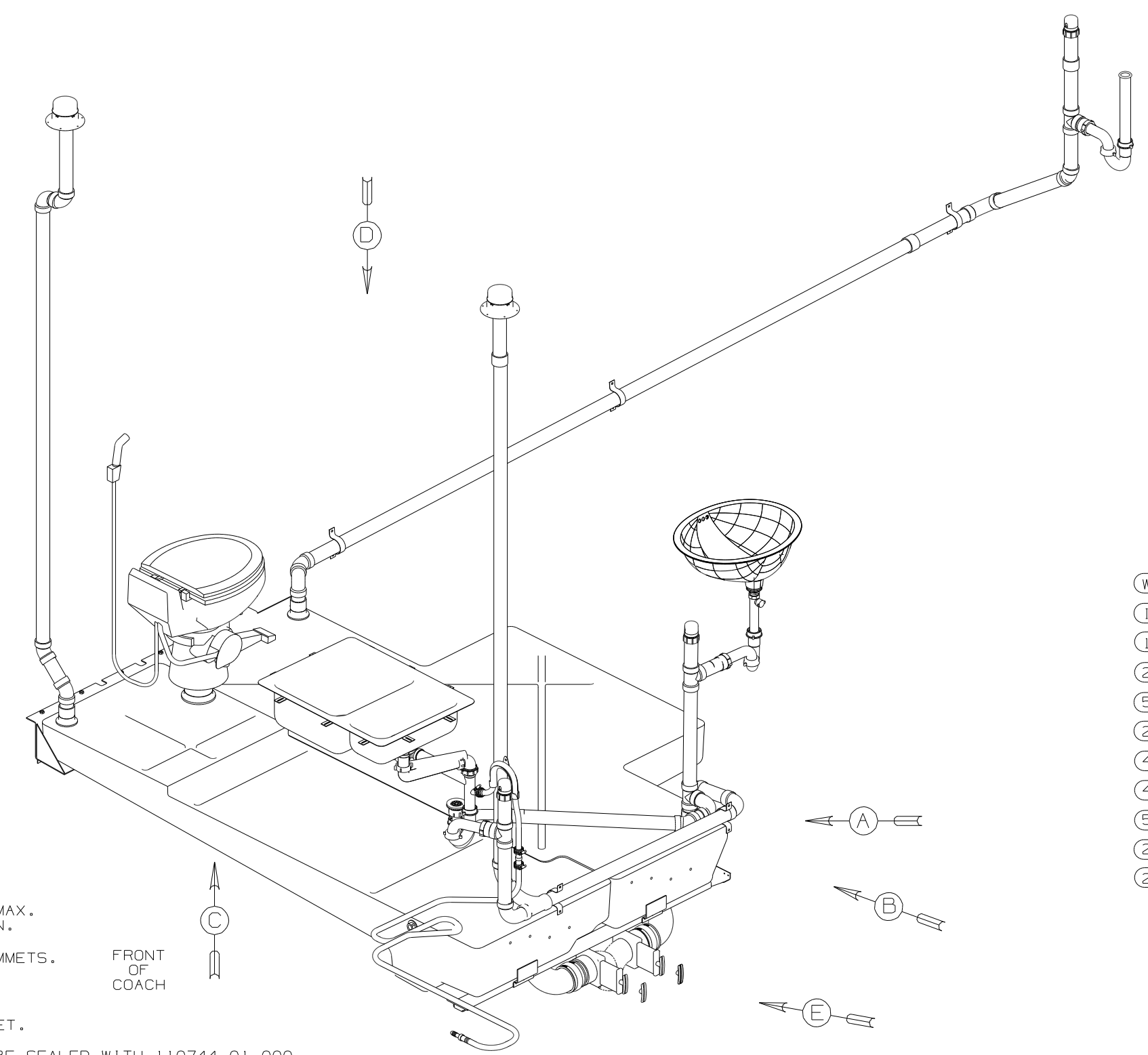


DWG NO	-----
154031-01	(WIN)
154031-02	(ITA)

RELEASE	REV DATE	DWG NO	154031
REV ZONE	REVISION RECORD	DATE	DFTR-016



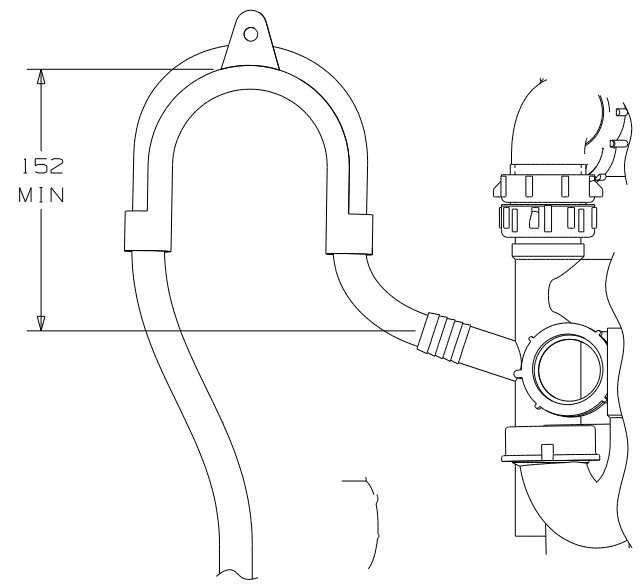
- (WIN) WINNEBAGO ONLY
- (ITA) ITASCA ONLY
- (1B1) CODES/STANDARDS-USA
- (265) CODES/STDS-CSA/CMVSS
- (54E) WASHER/DRYER
- (21M) WASHER/DRYER PREP
- (43M) TOILET PORCELAIN-ELONGATED
- (430) TOILET-PORCELAIN
- (54U) FLOOR/BATH-CERAMIC TILE
- (214) DISHWASHER DRAWER STYLE
- (215) DISHWASHER WITHOUT

- 8 VENT PIPE MUST PROJECT 51 MIN AND 64 MAX. ABOVE ROOF FOR PROPER FIT AND FUNCTION.
7. SEE DWG 61607-01-000 FOR INSTL OF GROMMETS.
6. SEAL ALL AROUND SHOWER WITH SILICONE.
- 5 SECURE VENT TUBES TO FLOOR WITH BRACKET.
4. ALL EXTERIOR OPENINGS AROUND PIPE TO BE SEALED WITH 110744-01-000.
3. ALL PIPE AND FITTINGS TO BE ASSEMBLED WITH SOLVENT 4020-01-000.
2. SLOPE OF TRAP ARM MUST BE 6 PER 305.
1. SLOPE OF HORIZONTAL PIPING TO BE 6 PER 305 mm.

FRONT OF COACH

(X-X)  
FOR DRAINAGE CALLOUTS SEE DWG NO 116229-01-000

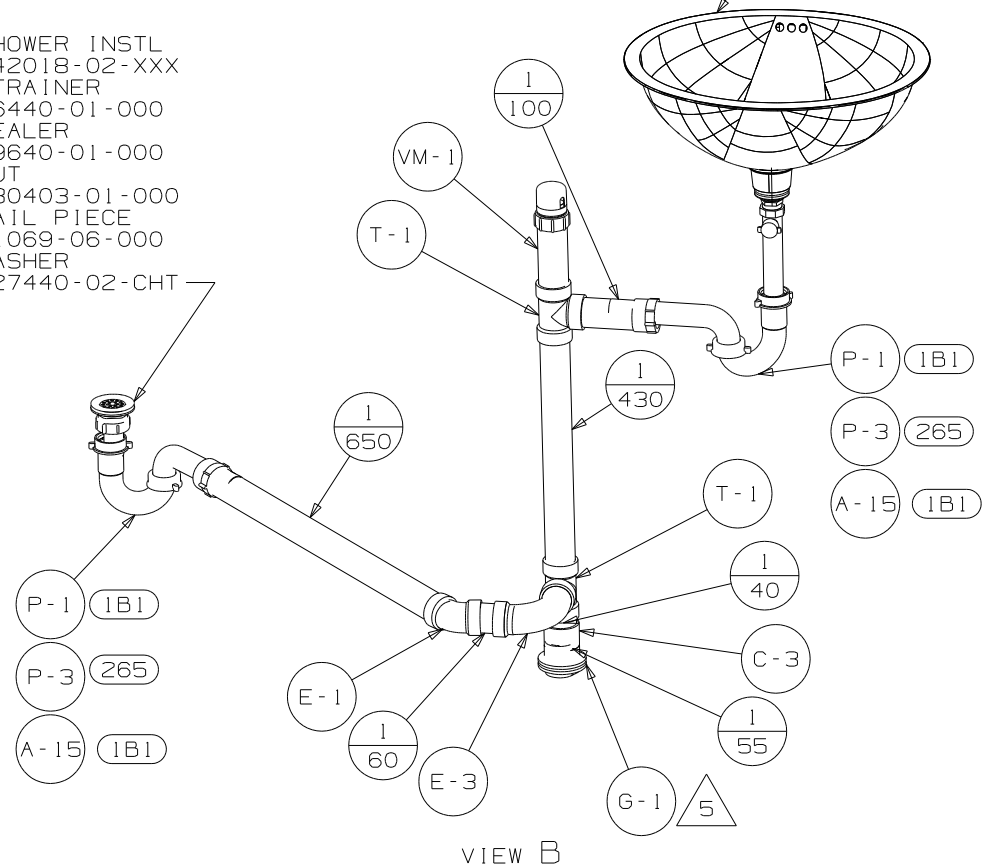
<b>WINNEBAGO</b>		COPYRIGHT 2006 WINNEBAGO INDUSTRIES, INC.	
DFTR	ORIG. DATE	ALL DIMENSIONS ARE IN MILLIMETERS	
CHKR		FIRST USED	
P.E.		06 S40FD	
M.E.		UNSPECIFIED TOLERANCES ARE:	
DSNR		MATERIAL:	
		WHOLE DIM (X)	: 3
		ONE-PLACE (X.X)	:
		TWO-PLACE (X.XX)	:
		ANGLE	:
		THIRD ANGLE PROJECTION	
DO NOT SCALE DRAWING			
TITLE: DRAINAGE SYSTEM INSTL			
SHEET 1 OF 4	PART NO	154031	REV
REF:	1 6/13/2006		



VIEW F

- SINK-LAV, OVAL CHINA 155318-01-CHT
- ANGLE 153338-02-CHT (10)
- WASHER FOAM 147930-01-000

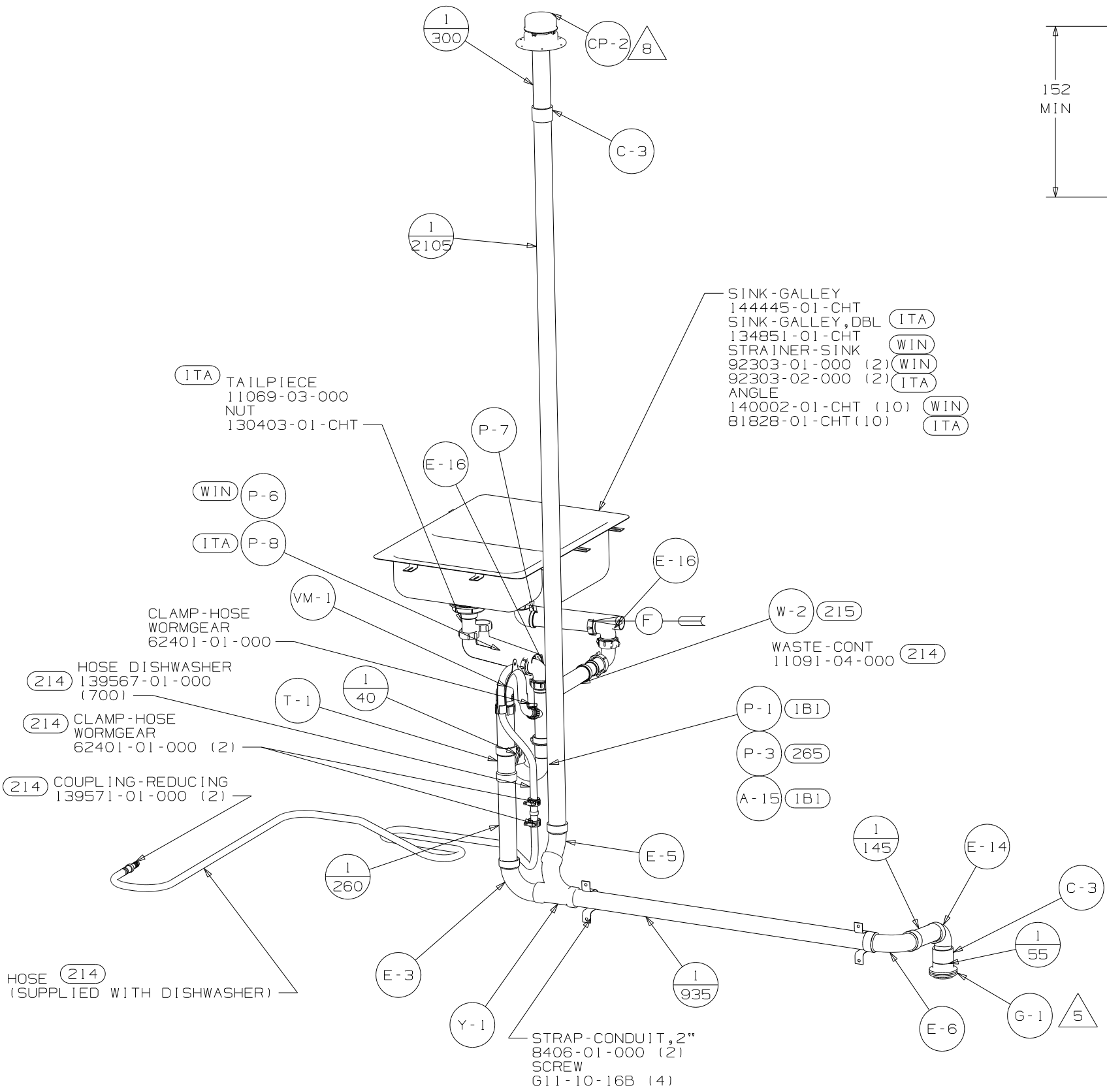
- SHOWER INSTL 142018-02-XXX
- STRAINER 66440-01-000
- SEALER 69640-01-000
- NUT 130403-01-000
- TAIL PIECE 11069-06-000
- WASHER 127440-02-CHT



VIEW B

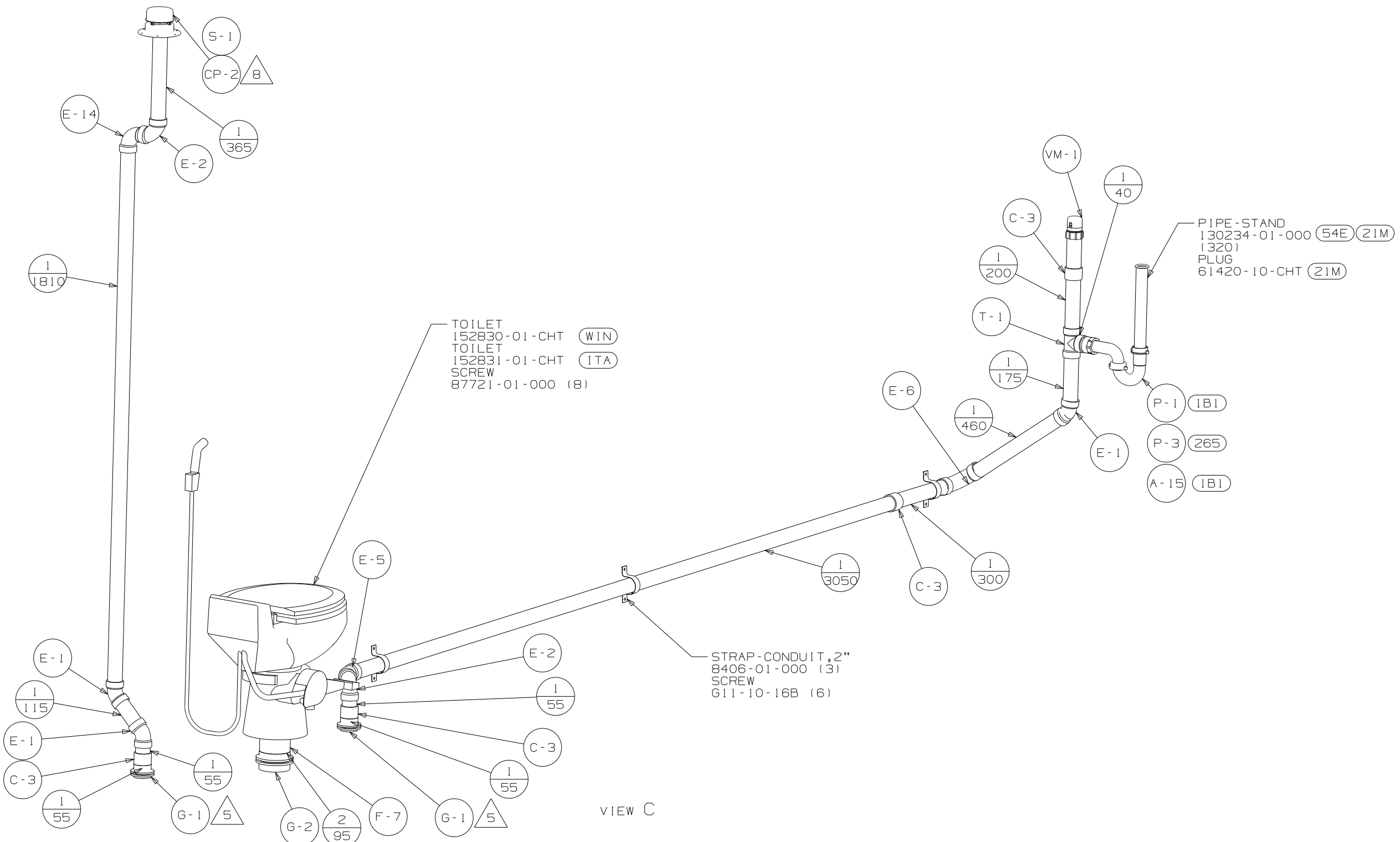
- SINK-GALLEY 144445-01-CHT
- SINK-GALLEY, DBL 134851-01-CHT
- STRAINER-SINK 92303-01-000 (2)
- ANGLE 140002-01-CHT (10)
- 81828-01-CHT (10)

- WASTE-CONT 11091-04-000



VIEW A

FIRST USED	06 S40FD	
TITLE	DO NOT SCALE DRAWING	
	DRAINAGE SYSTEM INSTL	
SHEET 2	PART NO 154031	REV



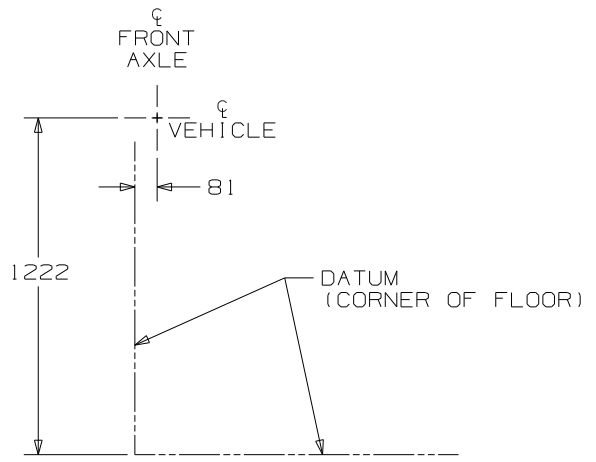
TOILET  
 152830-01-CHT (WIN)  
 TOILET  
 152831-01-CHT (ITA)  
 SCREW  
 87721-01-000 (8)

PIPE-STAND  
 130234-01-000 (54E) (21M)  
 (320)  
 PLUG  
 61420-10-CHT (21M)

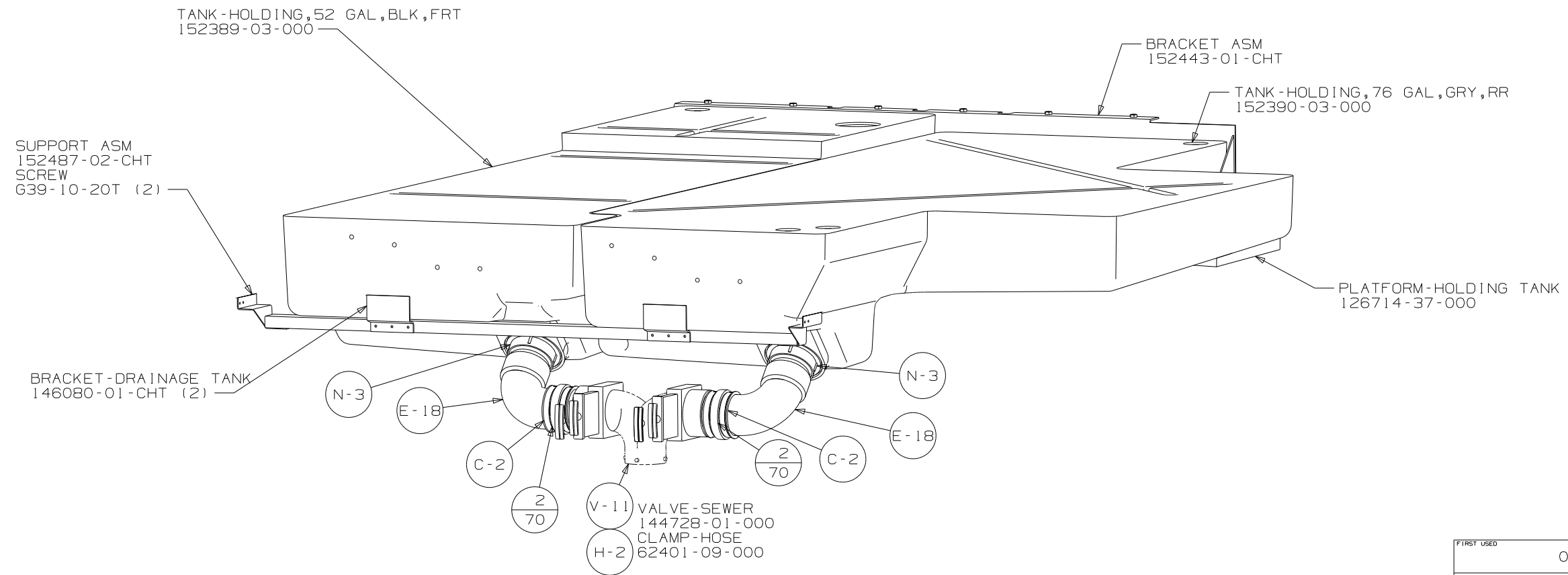
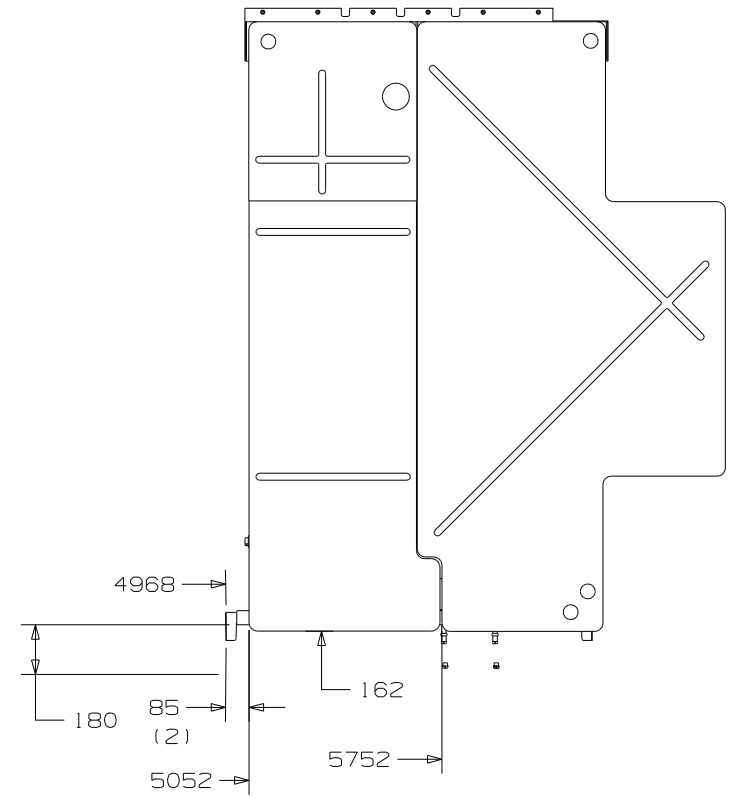
STRAP-CONDUIT, 2"  
 8406-01-000 (3)  
 SCREW  
 G11-10-16B (6)

VIEW C

FIRST USED		06 S40FD	
DO NOT SCALE DRAWING			
TITLE: DRAINAGE SYSTEM INSTL			
SHEET 3	PART NO	154031	REV



VIEW D

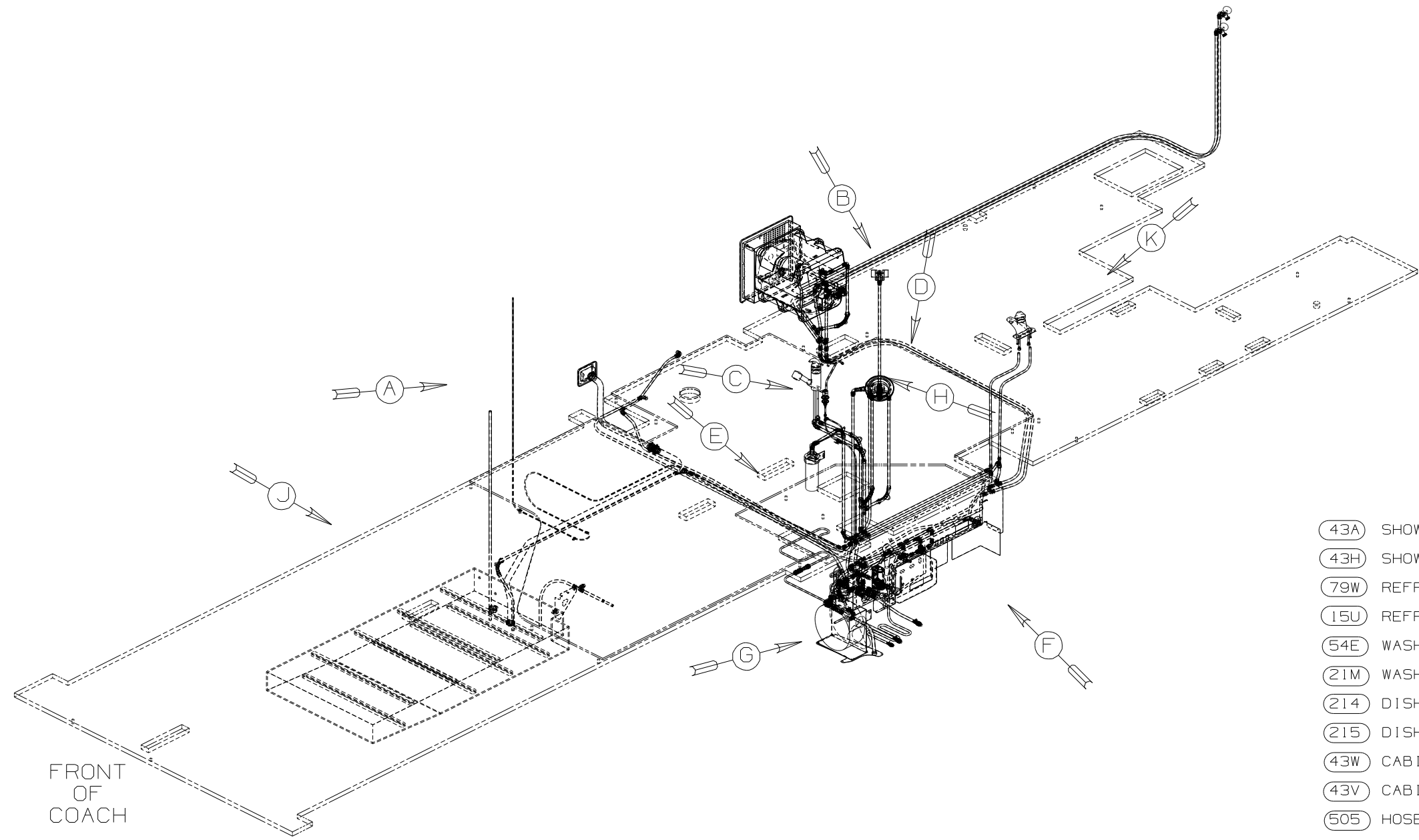


VIEW E

FIRST USED	06 S40FD	
TITLE	DO NOT SCALE DRAWING	
	DRAINAGE SYSTEM INSTL	
SHEET 4	PART NO 154031	REV

DWG NO	----
154029-01	(WIN)
154029-02	(ITA)

RELEASE	REV DATE A	DWG NO 154029
REV ZONE	REVISION RECORD	DATE DFR-ORIG



- (43A) SHOWER HEAD-FIXED
- (43H) SHOWER HEAD-HAND HELD
- (79W) REFRIGERATOR-4 DOOR
- (15U) REFRIGERATOR/FRZR W-ICEMAKER
- (54E) WASHER/DRYER
- (21M) WASHER/DRYER PREP
- (214) DISHWASHER-DRAWER STYLE
- (215) DISHWASHER WITHOUT
- (43W) CABINET-LAVATORY
- (43V) CABINET-CHEST OF DRAWERS
- (505) HOSE REEL-WATER,POWERED

- 7 ADD TEFLON TAPE 10405-02-000.
- 6 ADD TEFLON TAPE 10405-01-000.
- 5 ADD TEFLON TAPE 10405-03-000.
- 4 FLUSHING SYSTEM REQUIRES 125697-06-000 INSTRUCTION SHEET.

- 3. ALL TUBING TO BE SECURED AT 1200 INTERVALS MAXIMUM WITH CLAMP 10495-01-000 OR CLIP 91951-01-000 AND SCREW G67-10-12B.
- 2. TUBING TO BE INSTALLED WITH SUFFICIENT SLOPE TO PROVIDE DRAINAGE TO NEAREST VALVE.
- 1. PLASTIC FITTINGS TO BE SEALED WITH SEALANT 84456-01-000.

NOTES:

<b>WINNEBAGO</b>		COPYRIGHT 2006 WINNEBAGO INDUSTRIES, INC.	
DFTR	ORIG. DATE	ALL DIMENSIONS ARE IN MILLIMETERS	
CHKR		FIRST USED	
P.E.		06 S40FD	
M.E.		UNSPECIFIED TOLERANCES ARE:	
DSNR		MATERIAL:	
		WHOLE DIM (X)	: 7
		ONE-PLACE (X.X)	:
		TWO-PLACE (X.XX)	:
		ANGLE	:
THIRD ANGLE PROJECTION		DO NOT SCALE DRAWING	
TITLE: WATER SYSTEM INSTL			
SHEET 1 OF 5	PART NO	154029	
REF:	1 6/13/2006		

(X-X)  
FOR  
WATER  
CALLOUTS  
SEE DWG NO  
116230-01-000

- (WIN) FAUCET-GALLEY, SGL CONT  
123744-03-CHT
- (ITA) 144444-01-CHT
- (WIN) BACK-ING  
139295-01-CHT
- (ITA) 137079-03-CHT

FAUCET  
103635-01-000

BRACKET  
143101-01-CHT

(43A) VALVE-SHOWER  
128974-01-CHT

BREAKER-VACUUM  
125697-04-000  
CHECK VALVE  
125697-03-000

FILTER  
87200-01-000  
CARTRIDGE  
87200-02-000  
SCREW  
667-10-12U (2)

(43A) FAUCET-TRIM KIT  
144596-01-CHT  
144596-03-CHT

PLUG-BRASS  
145609-01-000

- (WIN) FAUCET-LAV, SGL CTRL, POL BRAS  
134735-01-CHT
- (ITA) FAUCET-VALVE  
149174-01-CHT
- (ITA) FAUCET-TRIM KIT  
153456-01-CHT
- SPACER  
105218-01-CHT

VIEW C

VIEW D

DROP-ELL  
135028-02-CHT  
VALVE-SHOWER  
128974-01-CHT  
SPACER  
130041-03-CHT

SHOWER-HEAD W/SLIDE BAR  
143525-01-CHT

FAUCET-TRIM KIT  
144596-01-CHT  
144596-02-CHT

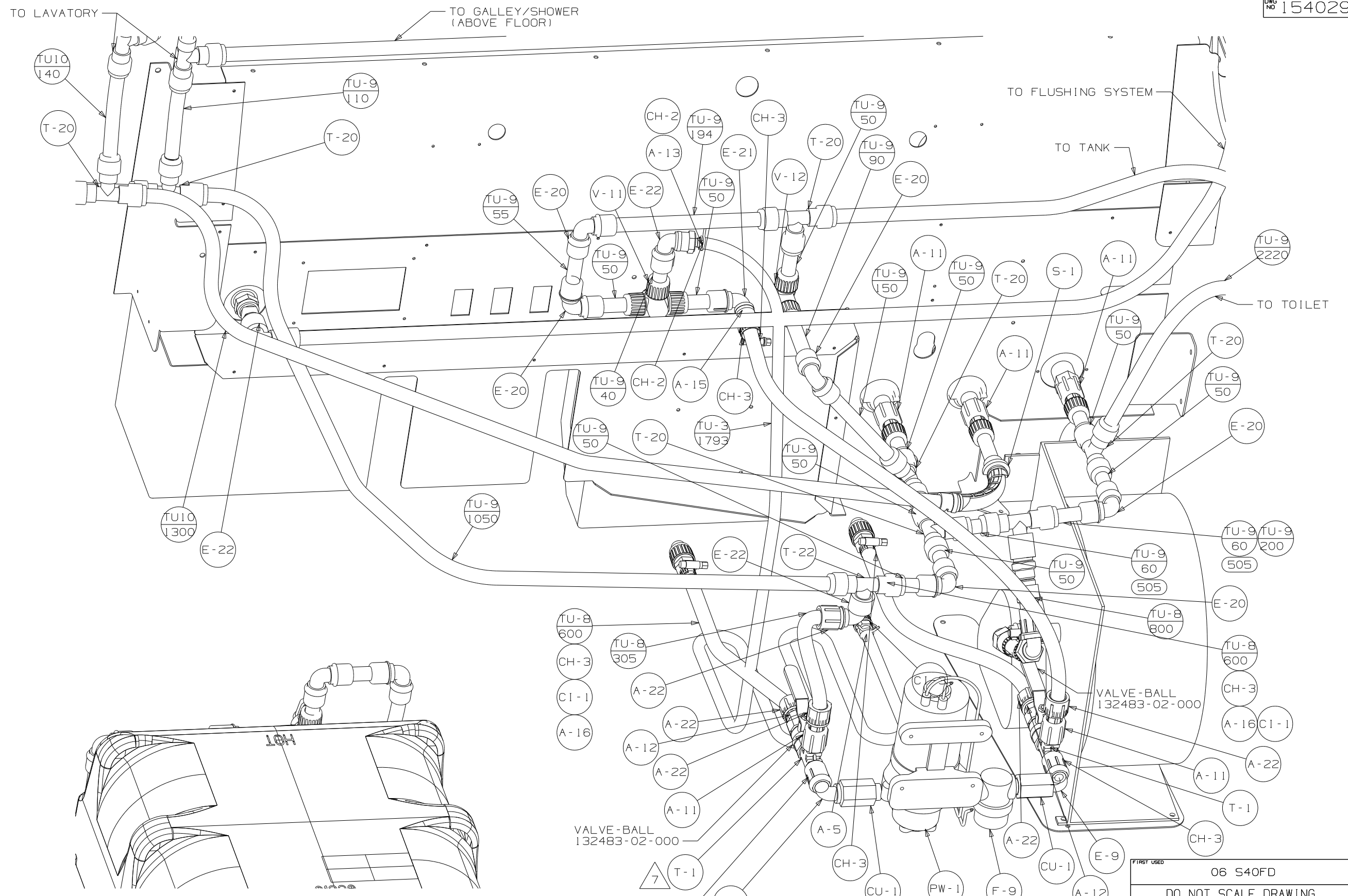
ADAPTER (214)  
146297-01-000

COUPLING-INSERT, 1 1/4 BARB  
156280-01-000

VIEW A

VIEW B (43H)

FIRST USED	06 S40FD	
TITLE	DO NOT SCALE DRAWING	
TITLE	WATER SYSTEM INSTL	
SHEET 2	PART NO	154029
	REV	



VALVE-BALL  
132483-02-000

VALVE-BALL  
132483-02-000

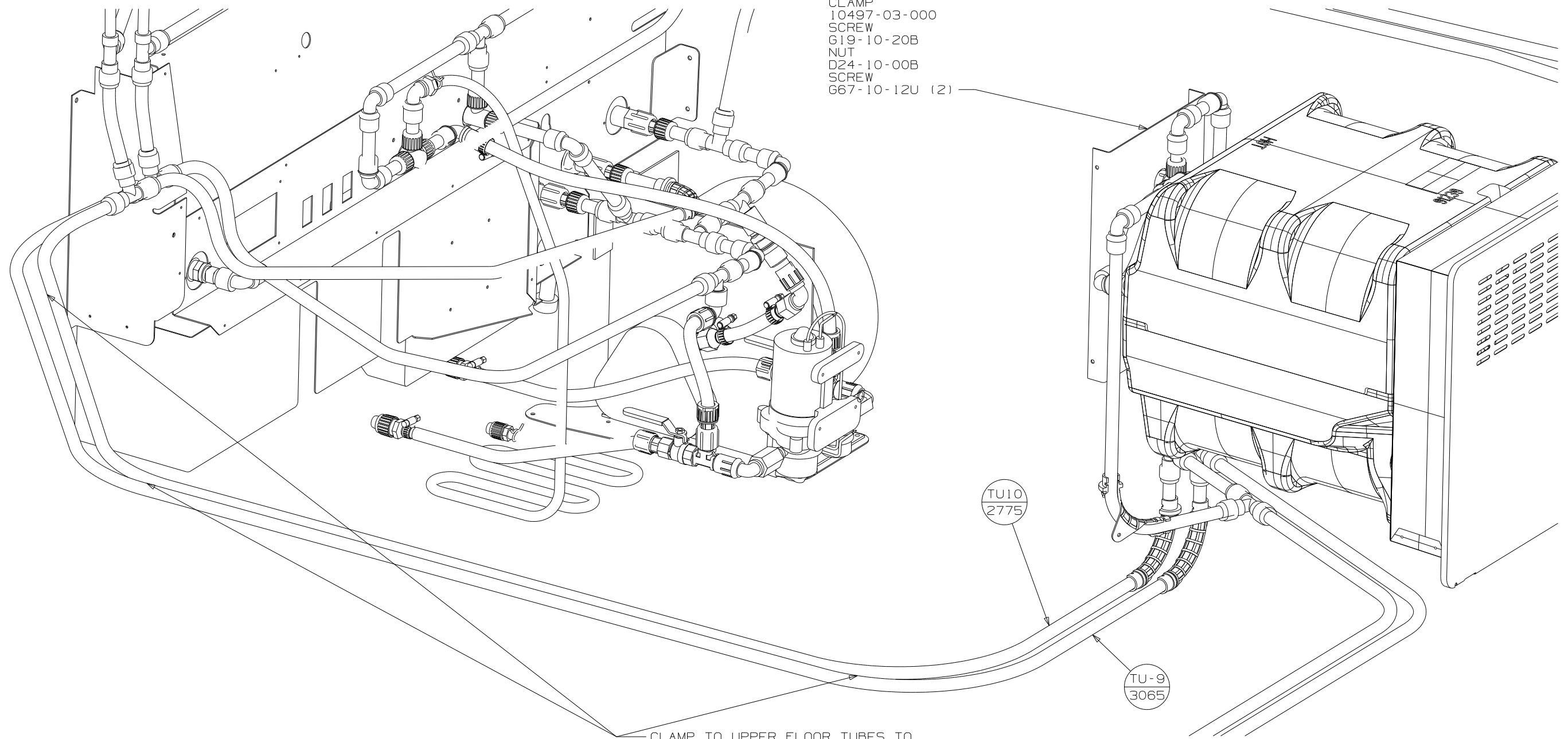
VIEW E

FIRST USED		06 S40FD	
DO NOT SCALE DRAWING			
TITLE: WATER SYSTEM INSTL			
SHEET 3	PART NO	154029	REV
1 6/13/2006			





- BRACKET - VALVE, BYPASS, HEATER
- 151245-01 - CHT
- CLAMP
- 10497-03-000
- SCREW
- G19-10-20B
- NUT
- D24-10-00B
- SCREW
- G67-10-12U (2)



VIEW K

FIRST USED	06 S40FD
TITLE	DO NOT SCALE DRAWING
SHEET 5	PART NO 154029 REV
	1 6/13/2006