

# Table of Contents

## 2006 Vectra/Horizon S40FD Wiring Diagram Book

110 Volt Load Center/Auto Transfer Switch  
AC/Heat/EMS Wiring Diagram  
Antenna Installation, Radio and CB  
Auto Lamps Wiring Diagram  
Automotive Wiring Diagram  
Backup Monitor Installation  
Body, 110 Volt Wiring Diagram  
Body, 110 Volt Wiring Installation  
Body, 12 Volt Wiring Diagram  
Body, 12 Volt Wiring Installation  
Chassis Wiring Installation  
Dash Radio Installation  
Exterior Lamps Wiring Installation  
Front End Wiring Installation  
GPS Wiring Installation  
Holding Tank Monitor Panel  
Holding Tanks Wiring Diagram  
Trip Computer Wiring Installation  
TV Coax Wiring Diagram  
TV/DVD, Side Wiring Installation

Complete Wiring Diagram Book (701674-75-047)





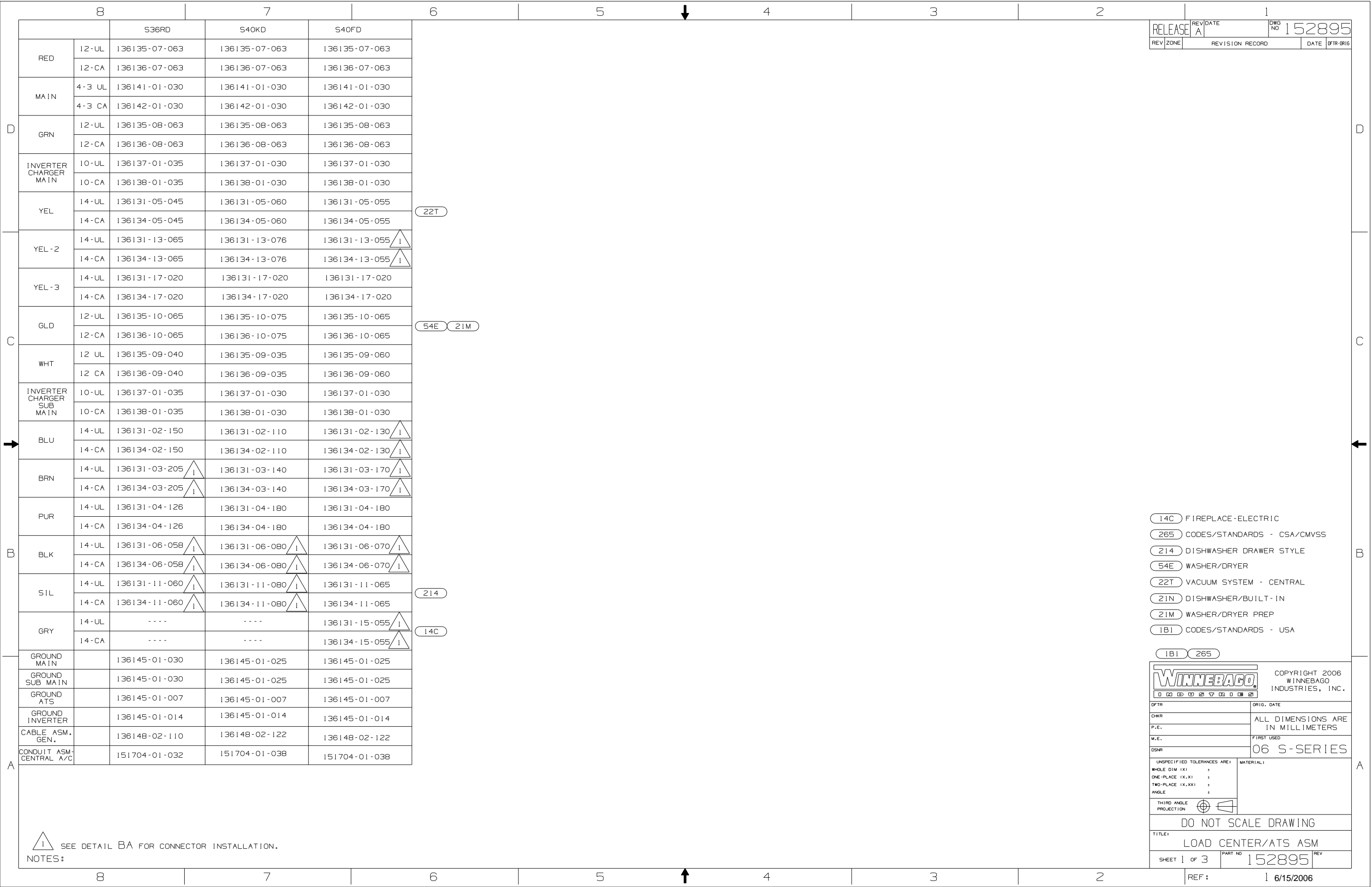
**DANGER**

**Danger of electrical shock, burns or death.** Always remove all power sources before attempting any repair, service or diagnostic work. Power can be present from shore power, generator, inverter or battery. All power sources must be disabled and secured before performing any service.



**CAUTION**

If you lack the skills, tools or equipment to perform diagnostic or repair work leave such work to an authorized Winnebago Industries dealer or other qualified shop.



- (14C) FIREPLACE-ELECTRIC
- (265) CODES/STANDARDS - CSA/CMVSS
- (214) DISHWASHER DRAWER STYLE
- (54E) WASHER/DRYER
- (22T) VACUUM SYSTEM - CENTRAL
- (21N) DISHWASHER/BUILT-IN
- (21M) WASHER/DRYER PREP
- (1B1) CODES/STANDARDS - USA

**WINNEBAGO** COPYRIGHT 2006 WINNEBAGO INDUSTRIES, INC.

DFTR \_\_\_\_\_ ORIG. DATE \_\_\_\_\_  
 CHKR \_\_\_\_\_ ALL DIMENSIONS ARE IN MILLIMETERS  
 P.E. \_\_\_\_\_  
 M.E. \_\_\_\_\_ FIRST USED \_\_\_\_\_  
 DSNR \_\_\_\_\_ 06 S-SERIES

UNSPECIFIED TOLERANCES ARE: MATERIAL:  
 HOLE DIM (X) :  
 ONE-PLACE (X.X) :  
 TWO-PLACE (X.XX) :  
 ANGLE :

THIRD ANGLE PROJECTION

DO NOT SCALE DRAWING

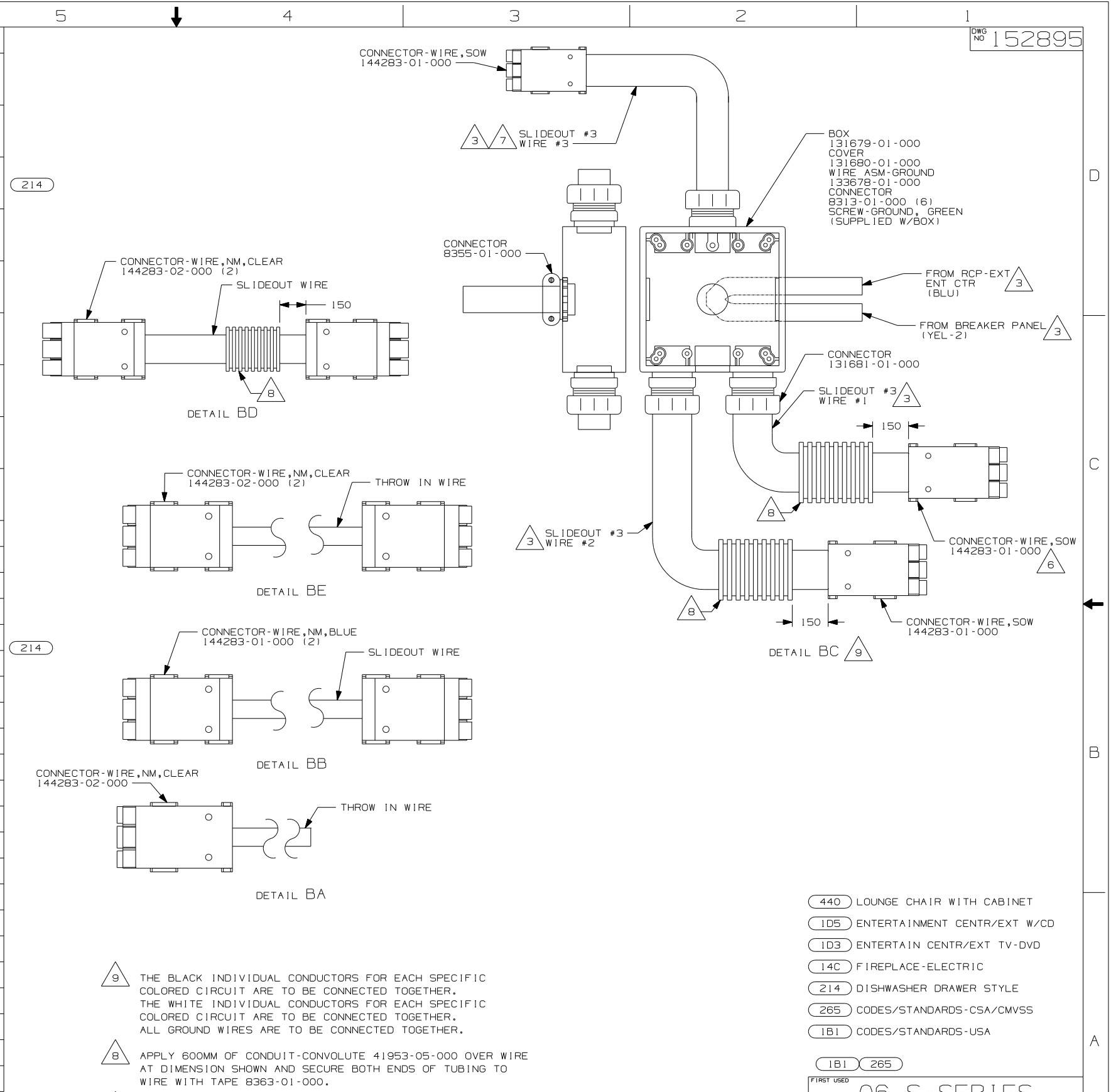
TITLE: LOAD CENTER/ATS ASM

SHEET 1 OF 3 PART NO 152895 REV \_\_\_\_\_

REF: 1 6/15/2006

SEE DETAIL BA FOR CONNECTOR INSTALLATION.  
 NOTES:

|                     | 8  | 7  | 6  |
|---------------------|--|--|--|
|                     | S36RD  | S40KD  | S40FD  |
| SLIDEOUT #1 WIRE #1 | 136151-03-040  | 136151-03-055                                | 136151-03-042  |
| SLIDEOUT #1 WIRE #2 | 136151-06-040  | ----   | 136151-06-042  |
| SLIDEOUT #1 WIRE #3 | 136151-11-035  | ----   | 136151-11-026  |
| SLIDEOUT #2 WIRE #1 | ----   | 136151-04-020                                | 136151-04-020  |
| SLIDEOUT #3 WIRE #1 | 136151-02-038  | 136151-02-035                                | 136151-02-060  |
| SLIDEOUT #3 WIRE #2 | 136151-13-038  | 136151-06-035                                | 136151-13-045  |
| SLIDEOUT #3 WIRE #3 | 136151-02-070  | 136151-11-035  (214)                         | 136151-02-018  |
| SLIDEOUT #3 WIRE #4 | ----   | 136151-02-035                                | 136151-15-070  (14C)                                     |
| SLIDEOUT #4 WIRE #1 | 136151-04-020  | ----   | 136151-04-020  |
| THROW IN WIRE #1    | 14-UL 136131-03-030<br>14-CA 136134-03-030               | 136131-02-003<br>136134-02-003               | 136131-04-095<br>136134-04-095                           |
| THROW IN WIRE #2    | 14-UL 136131-04-155<br>14-CA 136134-04-155               | 136131-02-055<br>136134-02-055               | 136131-04-040<br>136134-04-040                           |
| THROW IN WIRE #3    | 14-UL 136131-11-008<br>14-CA 136134-11-008               | 136131-11-010<br>136134-11-010               | 136131-11-006<br>136134-11-006                           |
| THROW IN WIRE #4    | 14-UL 136131-13-018<br>14-CA 136134-13-018               | 136131-04-075<br>136134-04-075               | 136131-02-025  (ID3)<br>136134-02-025  (ID3)             |
| THROW IN WIRE #5    | 14-UL 136131-04-028<br>14-CA 136134-04-028               | 136131-06-003<br>136134-06-003               | 136131-04-080<br>136134-04-080                           |
| THROW IN WIRE #6    | 14-UL 136131-02-008  (ID5)<br>14-CA 136134-02-008  (ID5) | 136131-03-045<br>136134-03-045               | 136131-02-060<br>136134-02-060                           |
| THROW IN WIRE #7    | 14-UL 136131-02-030  (ID3)<br>14-CA 136134-02-030  (ID3) | 136131-04-066<br>136134-04-066               | 136131-03-032<br>136134-03-032                           |
| THROW IN WIRE #8    | 14-UL 136131-04-050<br>14-CA 136134-04-050               | 136131-02-035  (ID3)<br>136134-02-035  (ID3) | 136131-04-040<br>136134-04-040                           |
| THROW IN WIRE #9    | 14-UL ----<br>14-CA ----                                 | 136131-02-010  (ID5)<br>136134-02-010  (ID5) | 136131-02-025  (ID3) (ID5)<br>136134-02-025  (ID3) (ID5) |
| THROW IN WIRE #10   | 14-UL ----<br>14-CA ----                                 | 136131-02-050<br>136134-02-050               | 136131-15-010  (14C)<br>136134-15-010  (14C)             |
| THROW IN WIRE #11   | ----   | 136131-03-015  (440)<br>136134-03-015  (440) | 136131-13-010<br>136134-13-010                           |



NOTES:

SEE DETAIL BB FOR CONNECTOR INSTALLATION.

SEE DETAIL BA FOR CONNECTOR INSTALLATION.

SEE DETIAL BC FOR CONNECTOR INSTALLATION.

SEE WIRING INSTL-BODY,110V FOR ADDITIONAL INFORMATION.

THE BLACK INDIVIDUAL CONDUCTORS FOR EACH SPECIFIC COLORED CIRCUIT ARE TO BE CONNECTED TOGETHER. THE WHITE INDIVIDUAL CONDUCTORS FOR EACH SPECIFIC COLORED CIRCUIT ARE TO BE CONNECTED TOGETHER. ALL GROUND WIRES ARE TO BE CONNECTED TOGETHER.

APPLY 600MM OF CONDUIT-CONVOLUTE 41953-05-000 OVER WIRE AT DIMENSION SHOWN AND SECURE BOTH ENDS OF TUBING TO WIRE WITH TAPE 8363-01-000.

WIRE WITH 36RD ONLY.

CONNECTOR WITH 36RD ONLY.

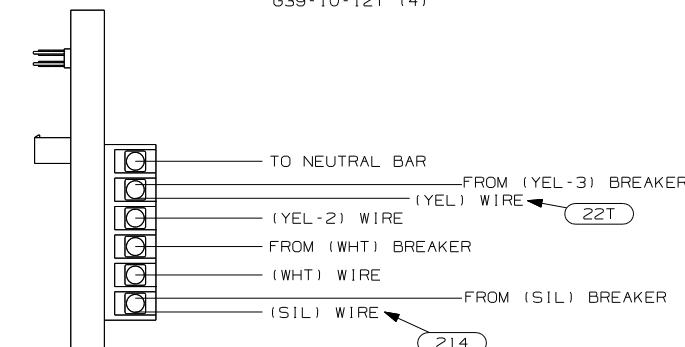
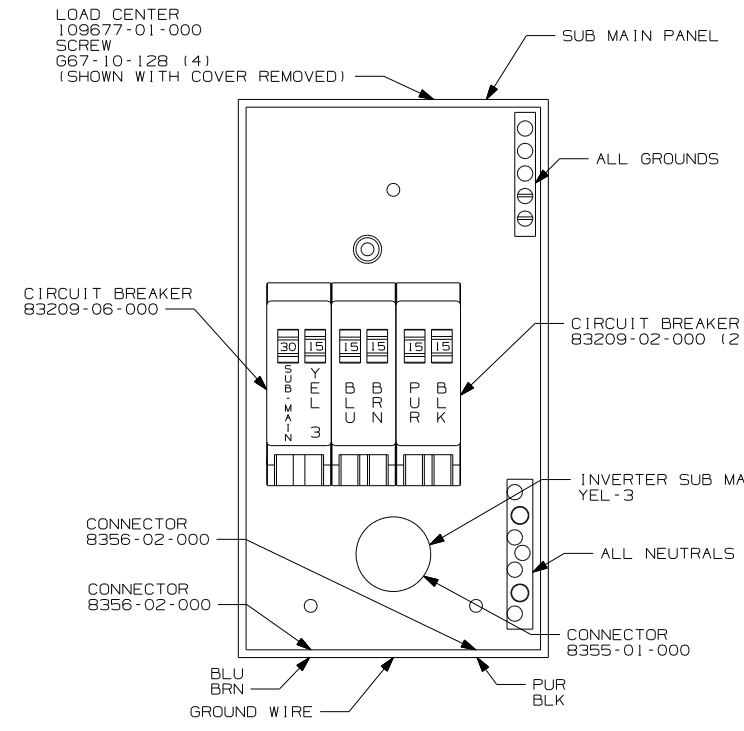
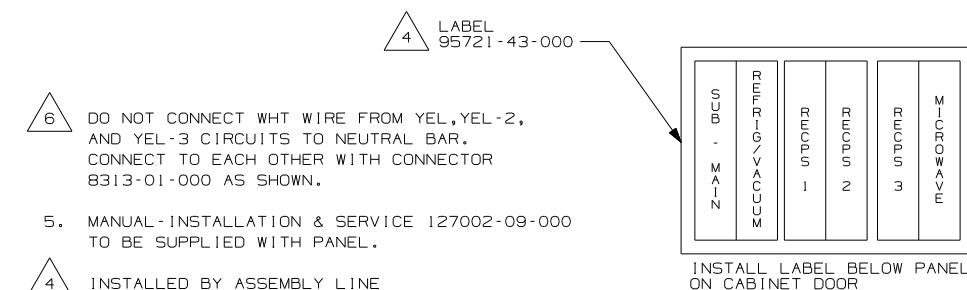
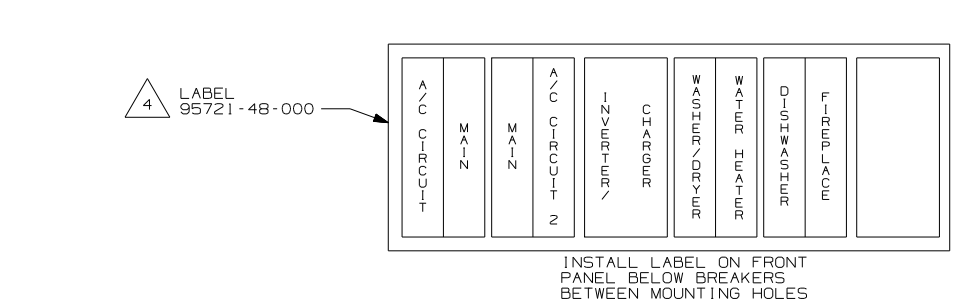
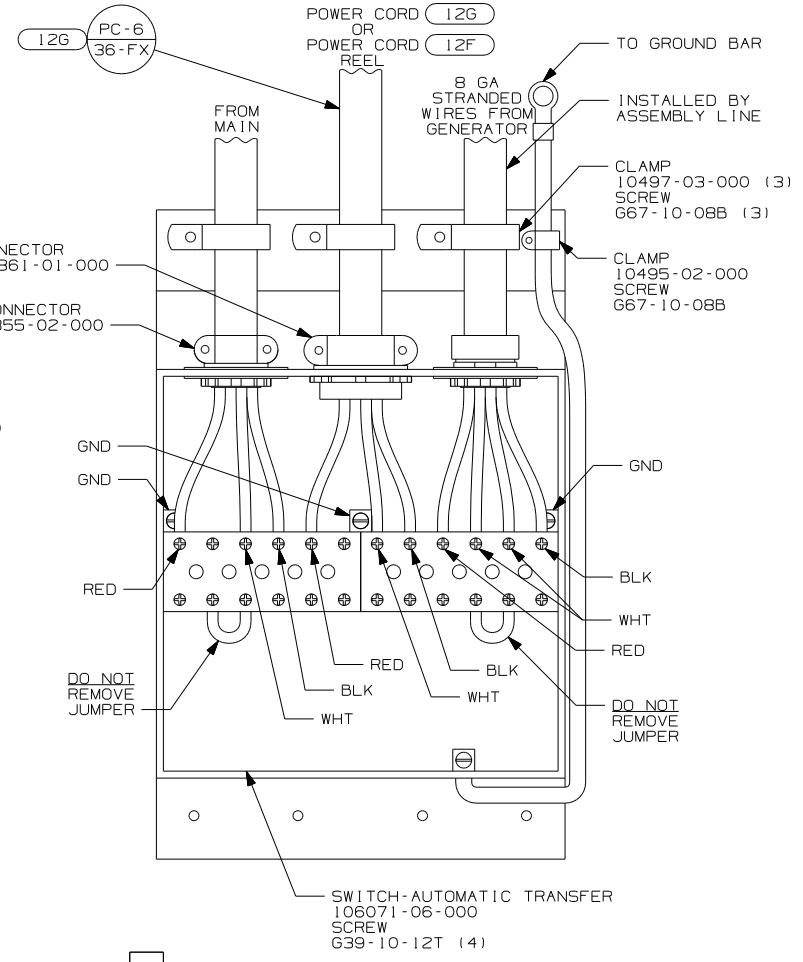
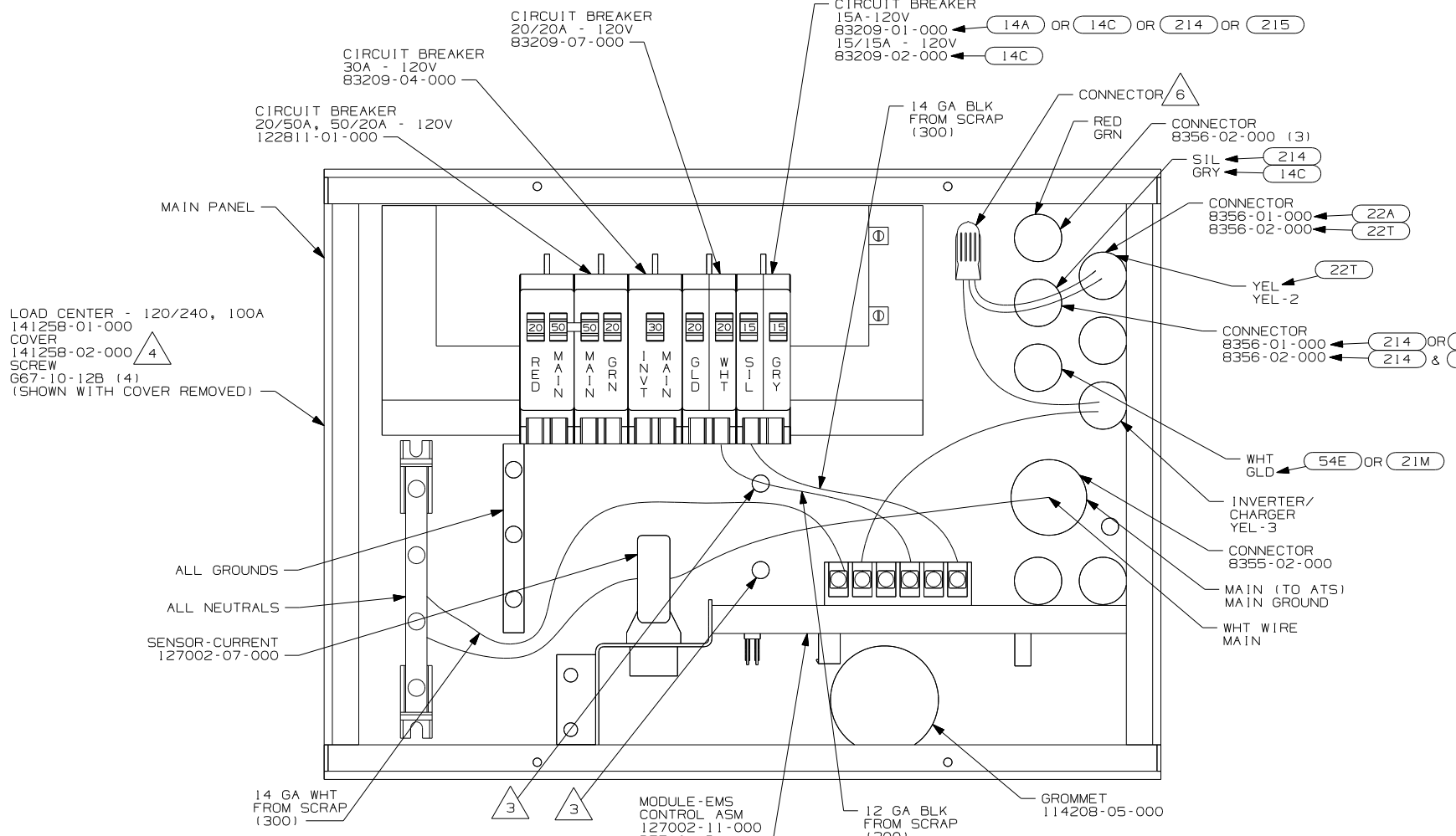
SEE DETIAL BE FOR CONNECTOR INSTALLATION.

SEE DETIAL BD FOR CONNECTOR INSTALLATION.

- (440) LOUNGE CHAIR WITH CABINET
- (ID5) ENTERTAINMENT CENTR/EXT W/CD
- (ID3) ENTERTAIN CENTR/EXT TV-DVD
- (14C) FIREPLACE-ELECTRIC
- (214) DISHWASHER DRAWER STYLE
- (265) CODES/STANDARDS-CSA/CMVSS
- (1B1) CODES/STANDARDS-USA

|            |                      |
|------------|----------------------|
| FIRST USED | 06 S-SERIES          |
| TITLE:     | DO NOT SCALE DRAWING |
| SHEET 2    | PART NO 152895 REV   |
|            | 1 6/15/2006          |





- (14A) FIREPLACE-ELECTRIC WITHOUT
- (22T) VACUUM SYSTEM - CENTRAL
- (21T) WASHER/DRYER - WITHOUT
- (14C) FIREPLACE-ELECTRIC
- (12G) POWER CORD REEL -WITHOUT
- (12F) POWER CORD REEL
- (265) CODES/STANDARDS - CSA/CMVSS
- (1B1) CODES/STANDARDS - USA
- (22A) VACUUM SYS-CENTRAL-WITHOUT
- (215) DISHWASHER WITHOUT
- (21M) WASHER/DRYER PREP
- (214) DISHWASHER DRAWER STYLE
- (54E) WASHER/DRYER
- (1B1) (265)

- NOTES:**
1. ALL GROUND WIRES TO BE COVERED WITH TUBING 8041-02-000.
  2. WIRE MUST BE 500 LONG INSIDE BOX.
  3. ATTATCH WIRES ON BACK OF LOAD CENTER WITH WIRE TIE 116673-01-000.
  4. INSTALLED BY ASSEMBLY LINE
  5. MANUAL-INSTALLATION & SERVICE 127002-09-000 TO BE SUPPLIED WITH PANEL.
  6. DO NOT CONNECT WHT WIRE FROM YEL, YEL-2, AND YEL-3 CIRCUITS TO NEUTRAL BAR. CONNECT TO EACH OTHER WITH CONNECTOR 8313-01-000 AS SHOWN.

FOR ELECTRICAL TORQUE SPECIFICATIONS SEE DWG NO. 128783-01-000

X-X FOR ELECTRICAL CALLOUTS SEE DWG NO. 121339-01-000

FIRST USED

**06 S-SERIES**

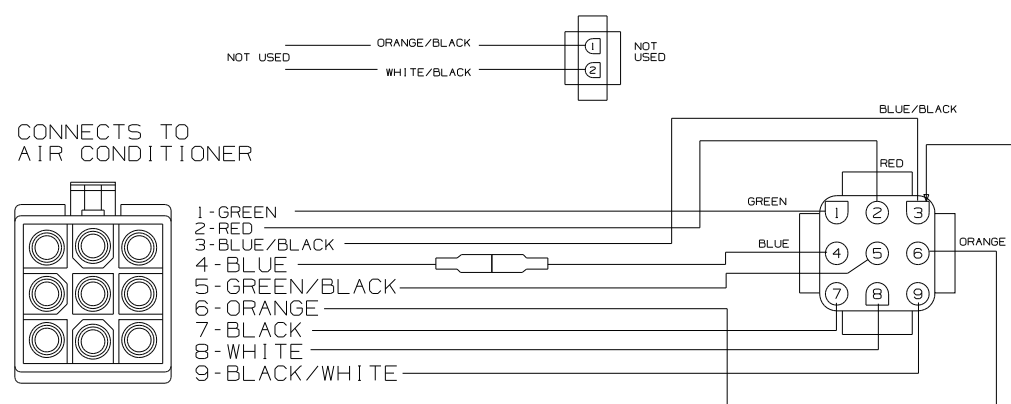
DO NOT SCALE DRAWING

TITLE: **LOAD CENTER/ATS ASM**

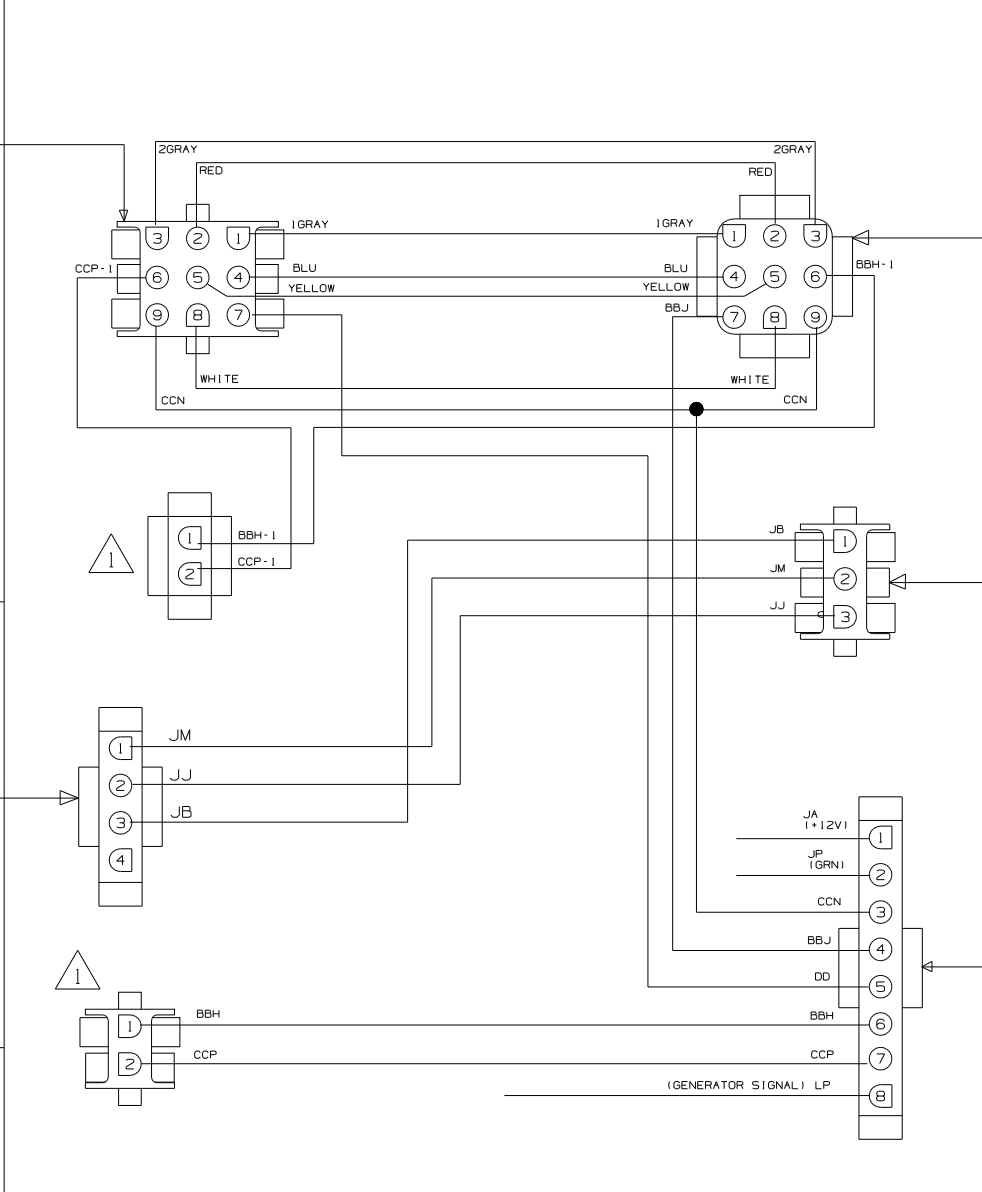
SHEET 3 PART NO **152895** REV

WITHOUT HEAT PUMP

VENDOR SUPPLIED HARNESS

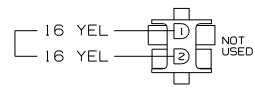
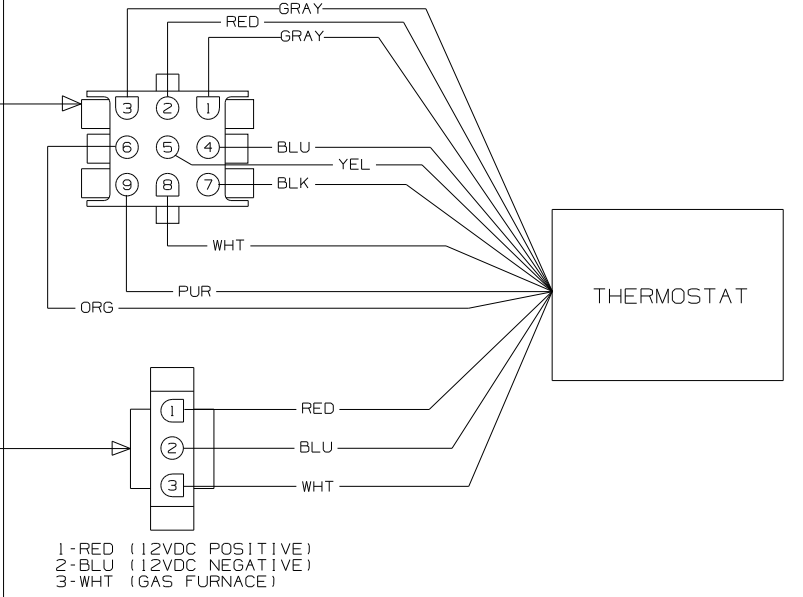


WINNEBAGO SUPPLIED HARNESS

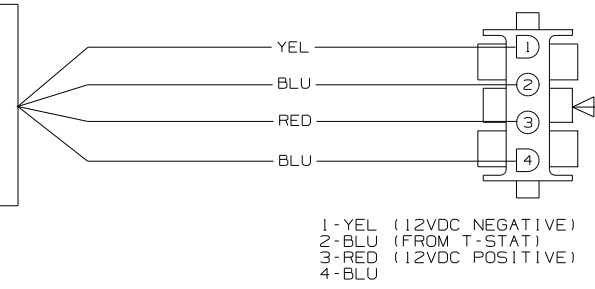


THERMOSTAT

- 1-GRY (FREEZE SWITCH & EXCLUSION RELAY)
- 2-RED (+12VDC)
- 3-GRY (FREEZE SWITCH & EXCLUSION RELAY)
- 4-BLU (-12VDC)
- 5-YEL (COOLING COMPRESSOR #1)
- 6-ORG (COOLING COMPRESSOR #2)
- 7-BLK (FAN HIGH)
- 8-WHT (HEAT PUMP)
- 9-PUR (FAN LOW)

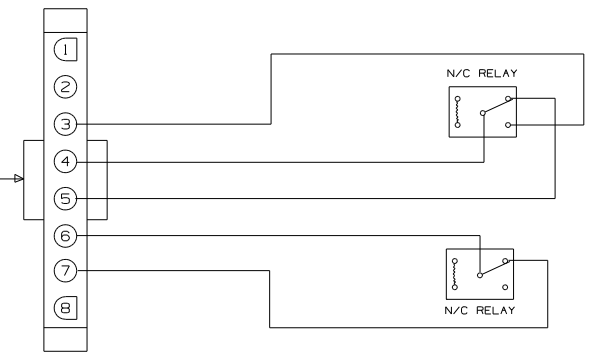


FURNACE



FURNACE

LOAD SHEDDER BOARD



WIRING DIAGRAM-THERMOSTAT,EXT  
(WIRE ASM 135131  
WITHOUT HEAT PUMP)

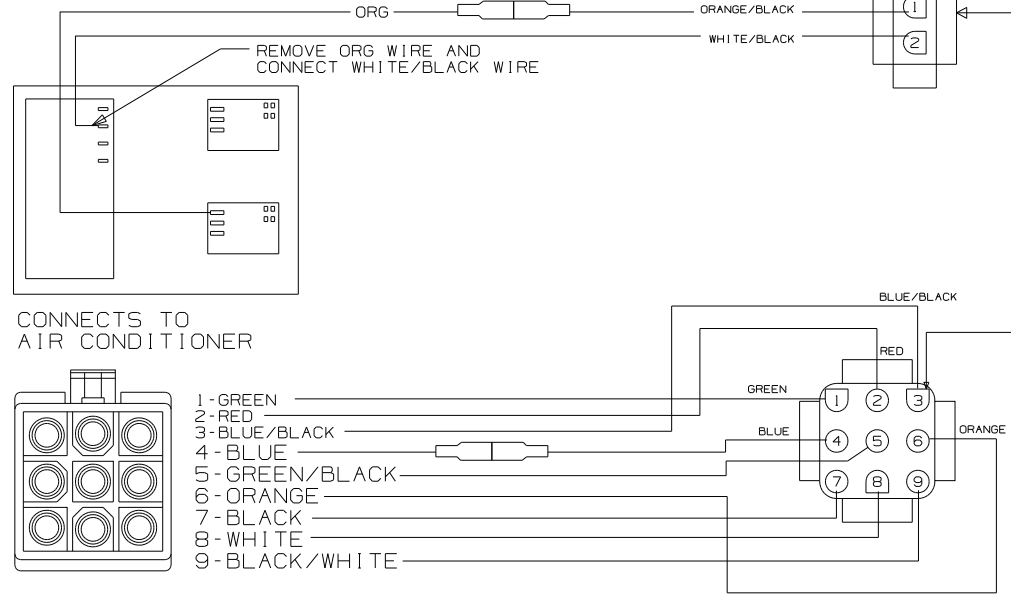
1. CONNECT HOUSING TOGETHER.

NOTES:

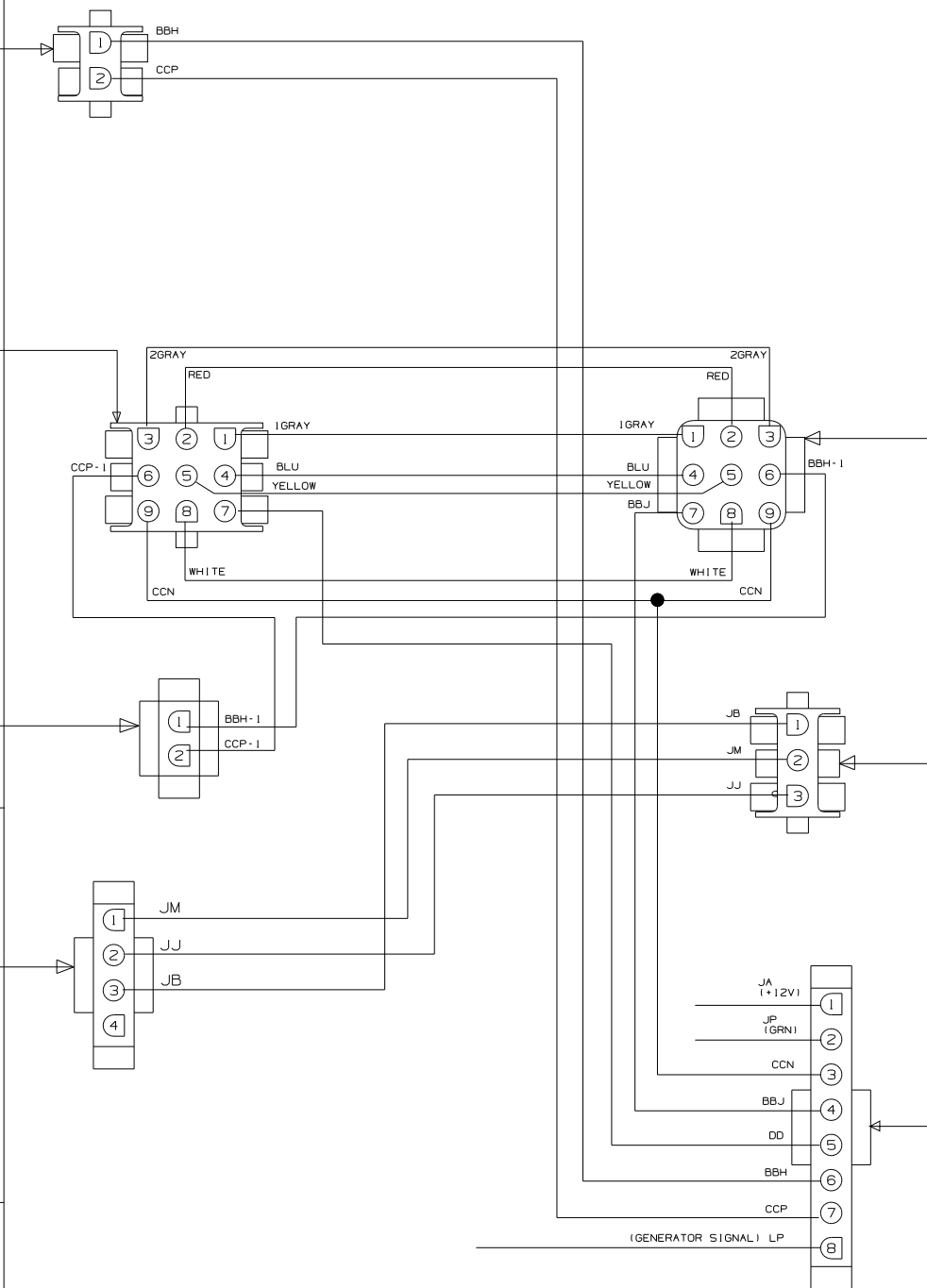
|                                      |                                      |   |  |
|--------------------------------------|--------------------------------------|---|--|
| <b>WINNEBAGO</b>                     |                                      | COPYRIGHT 2004<br>WINNEBAGO<br>INDUSTRIES, INC. |  |
| DFTR                                 | ORIG. DATE                           |   |  |
| CHKR                                 | ALL DIMENSIONS ARE<br>IN MILLIMETERS |   |  |
| P.E.                                 |                                      |   |  |
| M.E.                                 | FIRST USED                           |   |  |
| DSNR                                 | 03 SERIES                            |   |  |
| UNSPECIFIED TOLERANCES ARE:          |                                      | MATERIAL:                                       |  |
| W-HOLE DIM (X)                       | :                                    |   |  |
| ONE-PLACE (X.X)                      | :                                    |   |  |
| TWO-PLACE (X.XX)                     | :                                    |   |  |
| ANGLE                                | :                                    |   |  |
| THIRD ANGLE<br>PROJECTION            |                                      |   |  |
| DO NOT SCALE DRAWING                 |                                      |   |  |
| TITLE:<br>WIRING DIAGRAM-AC/HEAT/EMS |                                      |   |  |
| SHEET 1 OF 2                         | PART NO                              | 138913  |  |
| REF:                                 |                                      | 1 07/08/2004                                    |  |

WITH HEAT PUMP

VENDOR SUPPLIED HARNESS  
 ORG WIRE IS REMOVED FORM TERMINAL AND CONNECTED TO ORG/BLK WIRE THEN WHT/BLK WIRE IS CONNECTED TO THE TERMINAL WHERE THE ORG WIRE WAS.  
 REMOVE ORG WIRE AND CONNECT WHITE/BLACK WIRE

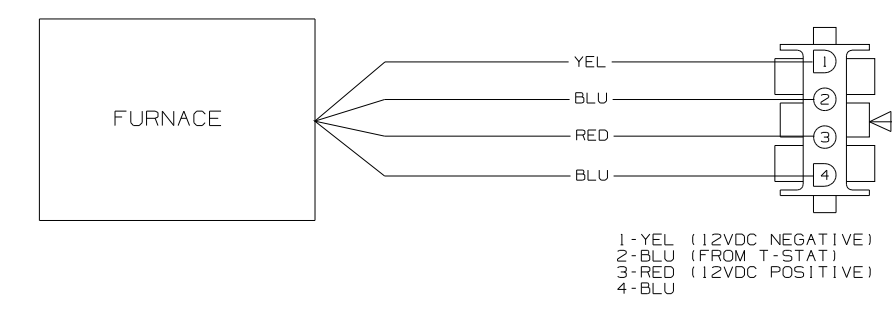
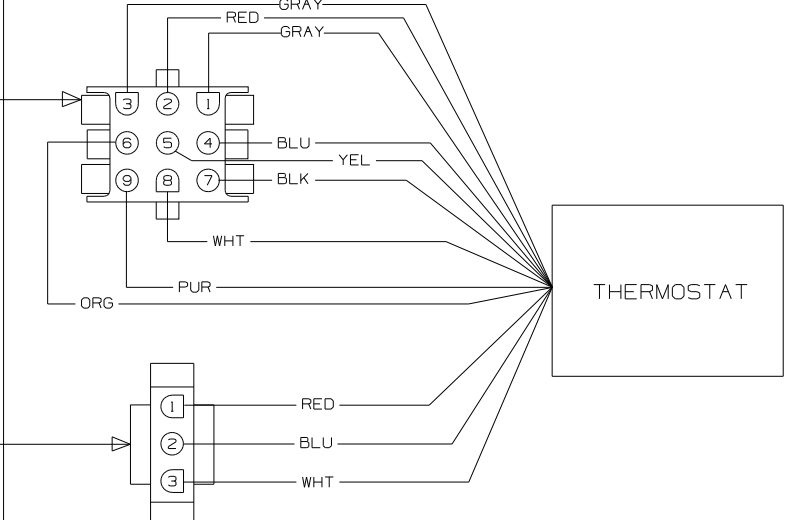


WINNEBAGO SUPPLIED HARNESS



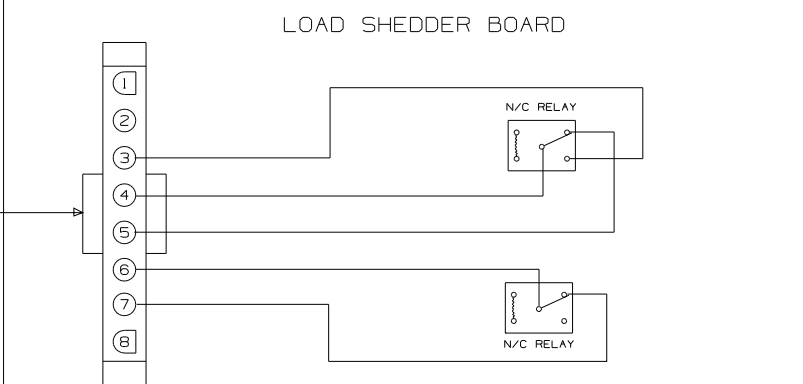
THERMOSTAT

- 1-GRY (FREEZE SWITCH & EXCLUSION RELAY)
- 2-RED (+12VDC)
- 3-GRY (FREEZE SWITCH & EXCLUSION RELAY)
- 4-BLU (-12VDC)
- 5-YEL (COOLING COMPRESSOR #1)
- 6-ORG (COOLING COMPRESSOR #2)
- 7-BLK (FAN HIGH)
- 8-WHT (HEAT PUMP)
- 9-PUR (FAN LOW)



FURNACE

- 1-YEL (12VDC NEGATIVE)
- 2-BLU (FROM T-STAT)
- 3-RED (12VDC POSITIVE)
- 4-BLU



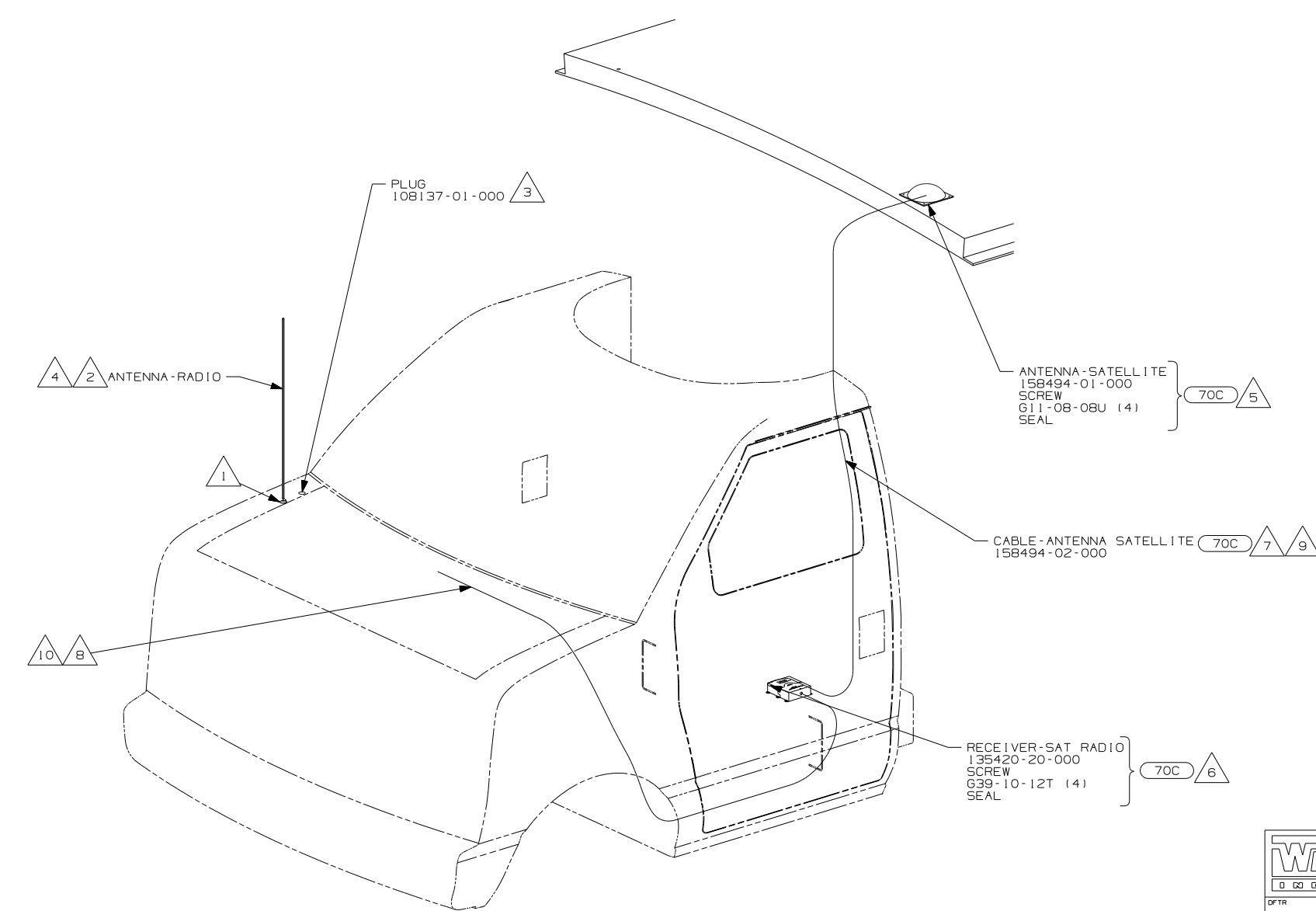
WIRING DIAGRAM-THERMOSTAT,EXT  
 (WIRE ASM 135131  
 WITH HEAT PUMP)

NOTES:  
 1. RLC FOR 2001 THIS RESET WAS DELETED.

|                      |                            |
|----------------------|----------------------------|
| FIRST USED           | 03 SERIES                  |
| DO NOT SCALE DRAWING |                            |
| TITLE:               | WIRING DIAGRAM-AC/HEAT/EMS |
| SHEET 2              | PART NO 138913             |

| DWG NO    | SHEET | SERIES        |
|-----------|-------|---------------|
| 152091-01 | 1     | 300, 400, 700 |
| 152091-02 | 2     | D, F, G       |
| 152091-03 | 3     | P, S, R       |
| 152091-04 | 4     | 500           |

|          |                 |        |           |
|----------|-----------------|--------|-----------|
| RELEASE  | REV DATE        | DWG NO | 152091    |
| REV ZONE | REVISION RECORD | DATE   | DFTR-ORIG |



- 10 RECEIVER CABLE SUPPLIED WITH RECEIVER.
- 9 ON 300-SER AND 400-SER ROUTE ANTENNA CABLE FROM UNDER DRIVER'S SEAT UP B-POST, INTO WINGWALL, THROUGH SLEEP BOARD ASM TO ANTENNA HOLE IN ROOF ASM.
- 8 ROUTE RECEIVER CABLE ALONG WITH CHASSIS HARNESS TO BATTERY BOOST SWITCH, CONTINUE RECEIVER CABLE TO DASH RADIO.
- 7 ON 700-SER ROUTE ANTENNA CABLE FROM UNDER DRIVER'S SEAT UP B-POST, INTO WINGWALL, UP THROUGH ENTERTAINMENT CENTER BEHIND SPEAKER, ROUTE CABLE THROUGH ROUTED PATH IN ROOF ASM.
- 6 MOUNT RECEIVER TO CAB FLOOR UNDER DRIVERS SEAT NEXT TO FORD MODULE. BE SURE NOT TO SCREW THROUGH ANY WIRES THAT GO TO THE MODULE. SEAL ALL SCREWS.
- 5 MOUNT ANTENNA SUCH THAT BASE IS SQUARE WITH ROOF AND HOLE IS DIRECTLY OVER HOLE IN ROOF. SEAL BOTH THE HOLE IN THE ROOF AND ANTENNA BASE AT SCREWS.
- 4 DO NOT RELOCATE ANTENNA ON 400 AND 700 SERIES UNITS. LEAVE IN FACTORY LOCATION.
- 3 NOT USED ON 400 AND 700 SERIES.
- 2 SUPPLIED WITH CHASSIS.
- 1 SEE FRAME ASM-CHASSIS FOR HOLE LOCATION AND SIZE.

**WINNEBAGO** COPYRIGHT 2006 WINNEBAGO INDUSTRIES, INC.

|      |                                   |
|------|-----------------------------------|
| DFTR | ORIG. DATE                        |
| CHKR | ALL DIMENSIONS ARE IN MILLIMETERS |
| P.E. |                                   |
| M.E. | FIRST USED                        |
| DSNR | 06 MOTORHOMES                     |

UNSPECIFIED TOLERANCES ARE: MATERIAL:

|                  |   |
|------------------|---|
| HOLE DIM (X)     | : |
| ONE-PLACE (X.X)  | : |
| TWO-PLACE (X.XX) | : |
| ANGLE            | : |

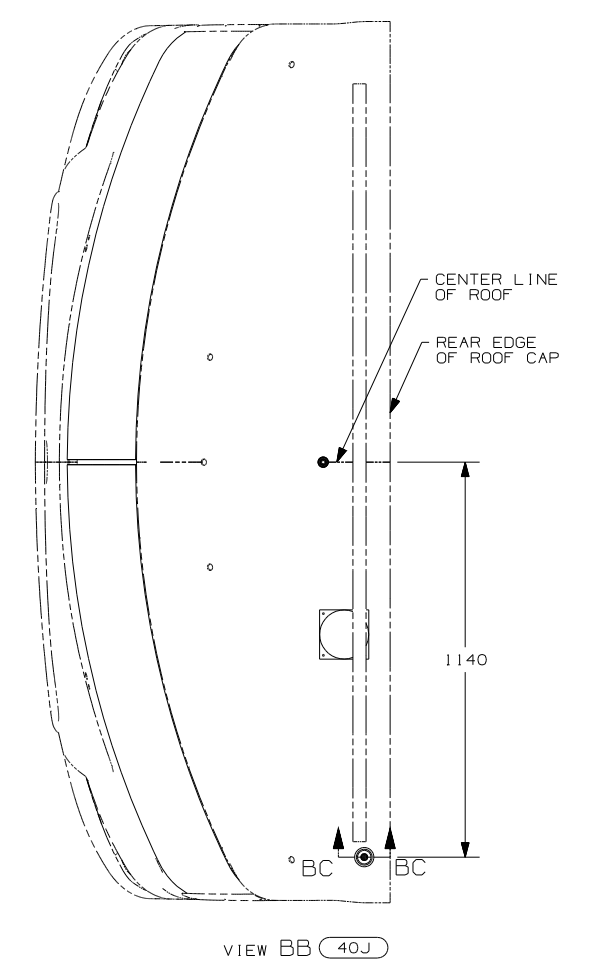
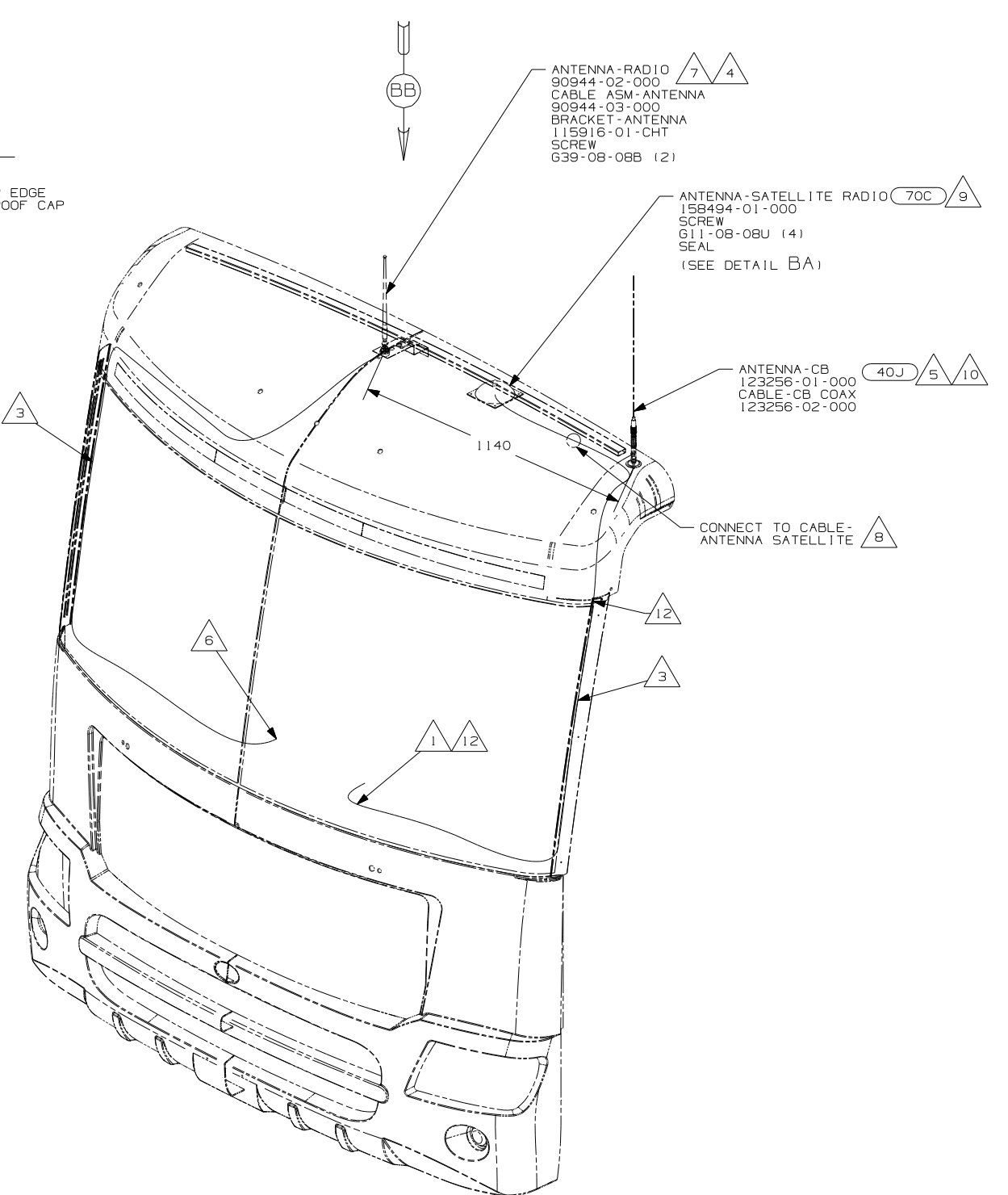
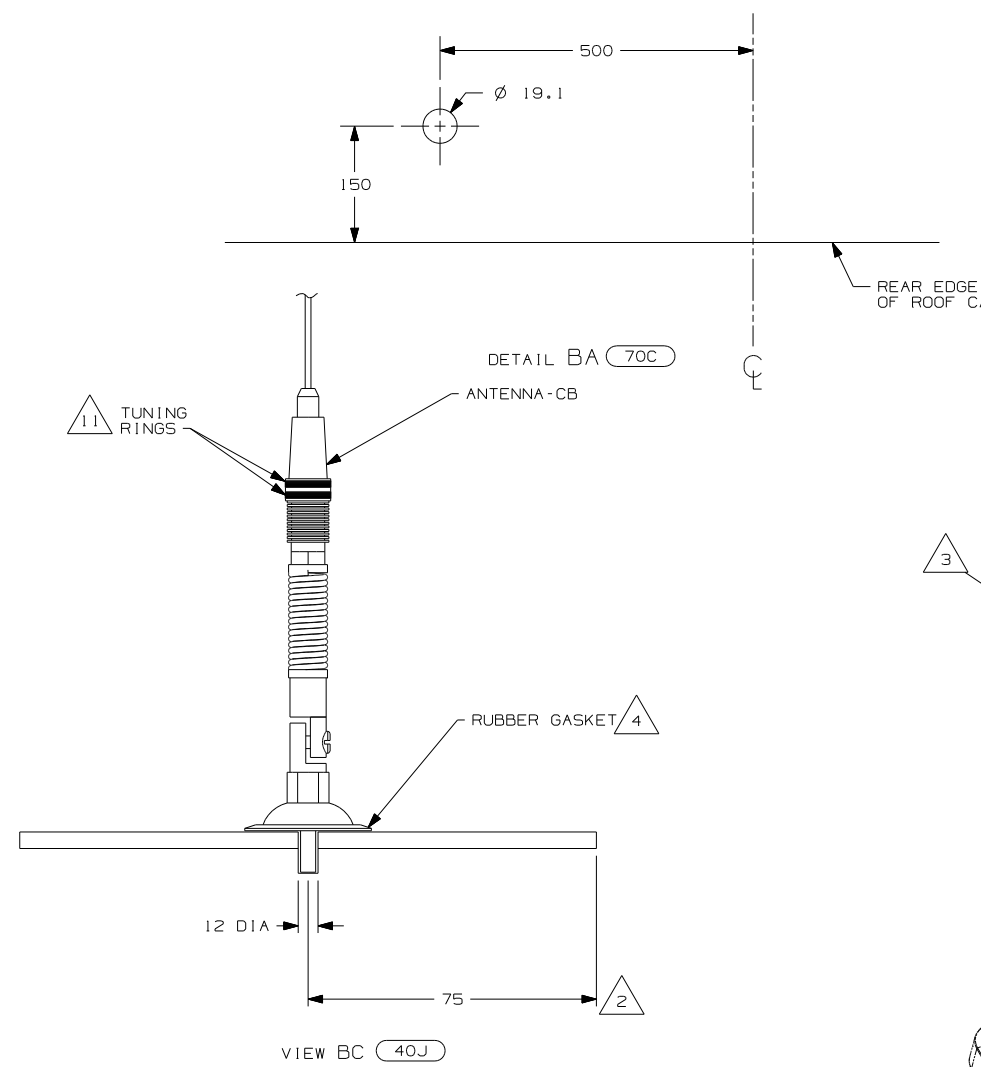
THIRD ANGLE PROJECTION

DO NOT SCALE DRAWING

TITLE: ANTENNA INSTL-RADIO AND CB

SHEET 1 OF 4 PART NO 152091 REV

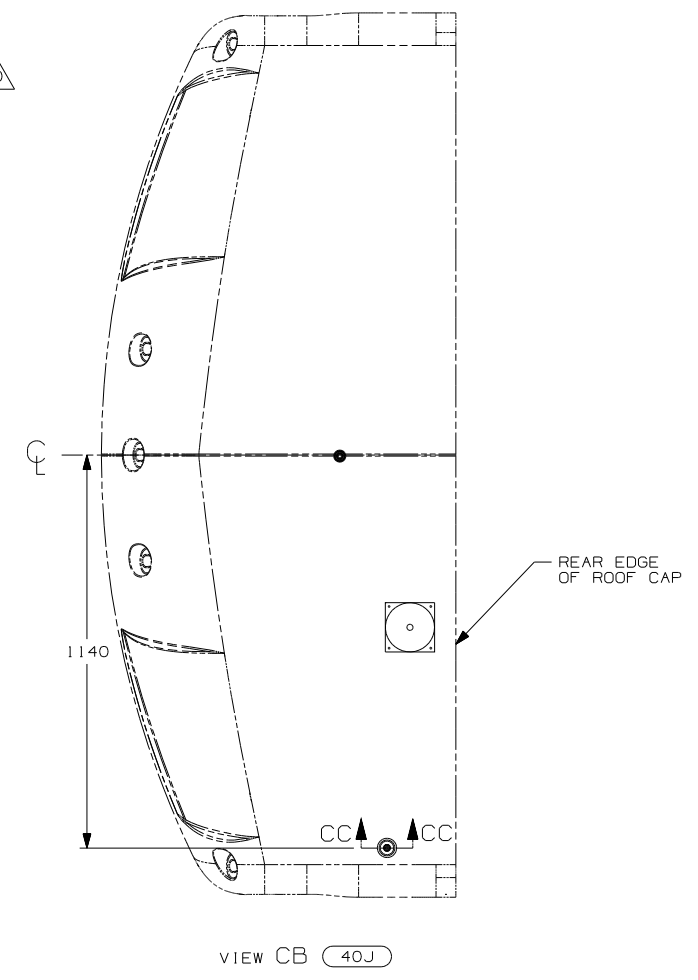
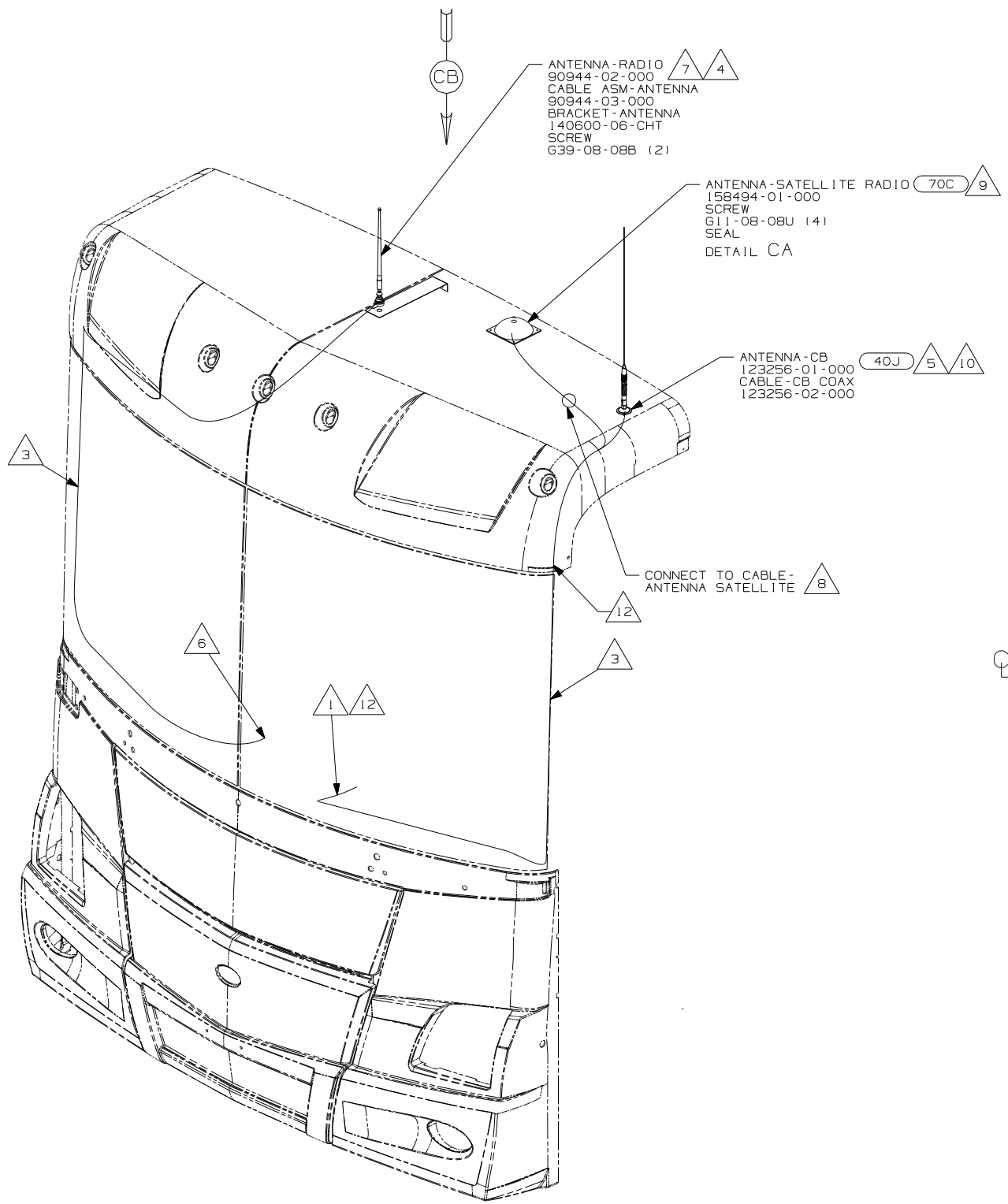
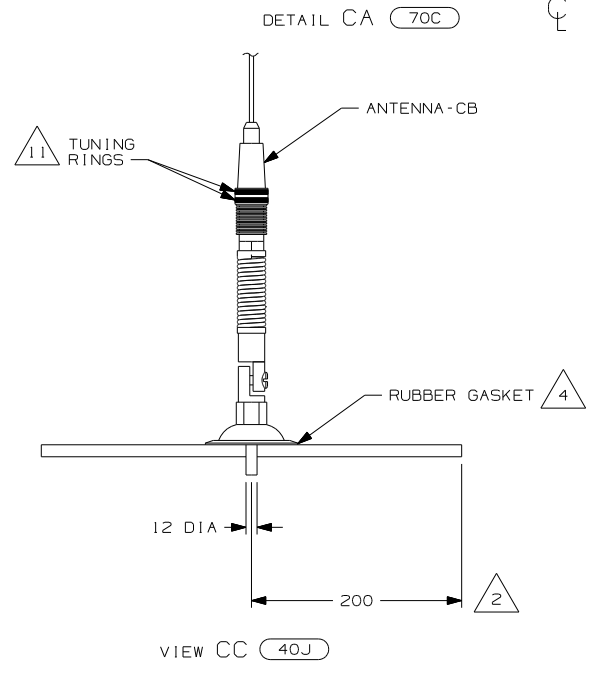
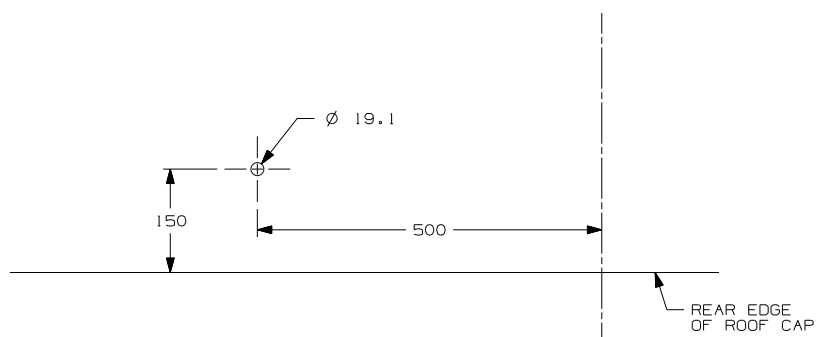
REF: 1 6/15/2006



- 12 PROVIDE A 700 mm DROP OF CB ANTENNA CABLE FROM THE TOP OF THE A-PILLAR TO THE ANTENNA AND PLACE THE EXCESS CABLE IN THE CB PREP BAG LOCATED UNDER THE DASH.
- 11 TUNING RINGS ARE TO BE BOTH ADJUSTED TO THE TOP OF THEIR TRAVEL AND TIGHTENED AGAINST EACH OTHER.
- 10 TIGHTEN JOINTS BETWEEN ANTENNA BASE AND ANTENNA PIVOT AND ALSO THE MAST AND ANTENNA PLATE.
- 9 MOUNT ANTENNA SUCH THAT BASE IS SQUARE W/ REAR OF ROOF CAP & HOLE IS DIRECTLY OVER HOLE IN FIBERGLASS. SEAL HOLE IN ROOF CAP, BASE AT SCREWS.
- 8 SEE WIRING INSTL-FRONT END FOR ADDITIONAL INFORMATION.
- 7 USE HOLE IN BRACKET AS GUIDE TO DRILL 13 DIAMETER HOLE IN FIBERGLASS.
- 6 TO RADIO.
- 5 ATTACH ANTENNA-CB GROUND WIRE TO CAB FRAME, USE SCREW 639-08-08B.
- 4 SEAL AROUND ANTENNA BASE.
- 3 ROUTE CABLE ALONG A-POST, UNDER TRIM COVER.
- 2 MEASURED FROM REAR EDGE OF FIBERGLASS CAP.
- 1 SEE WIRING INSTL-FRONT END FOR LOCATION OF COAX END AND LABEL.

70C RADIO - SATELLITE  
40J CB RADIO PREP

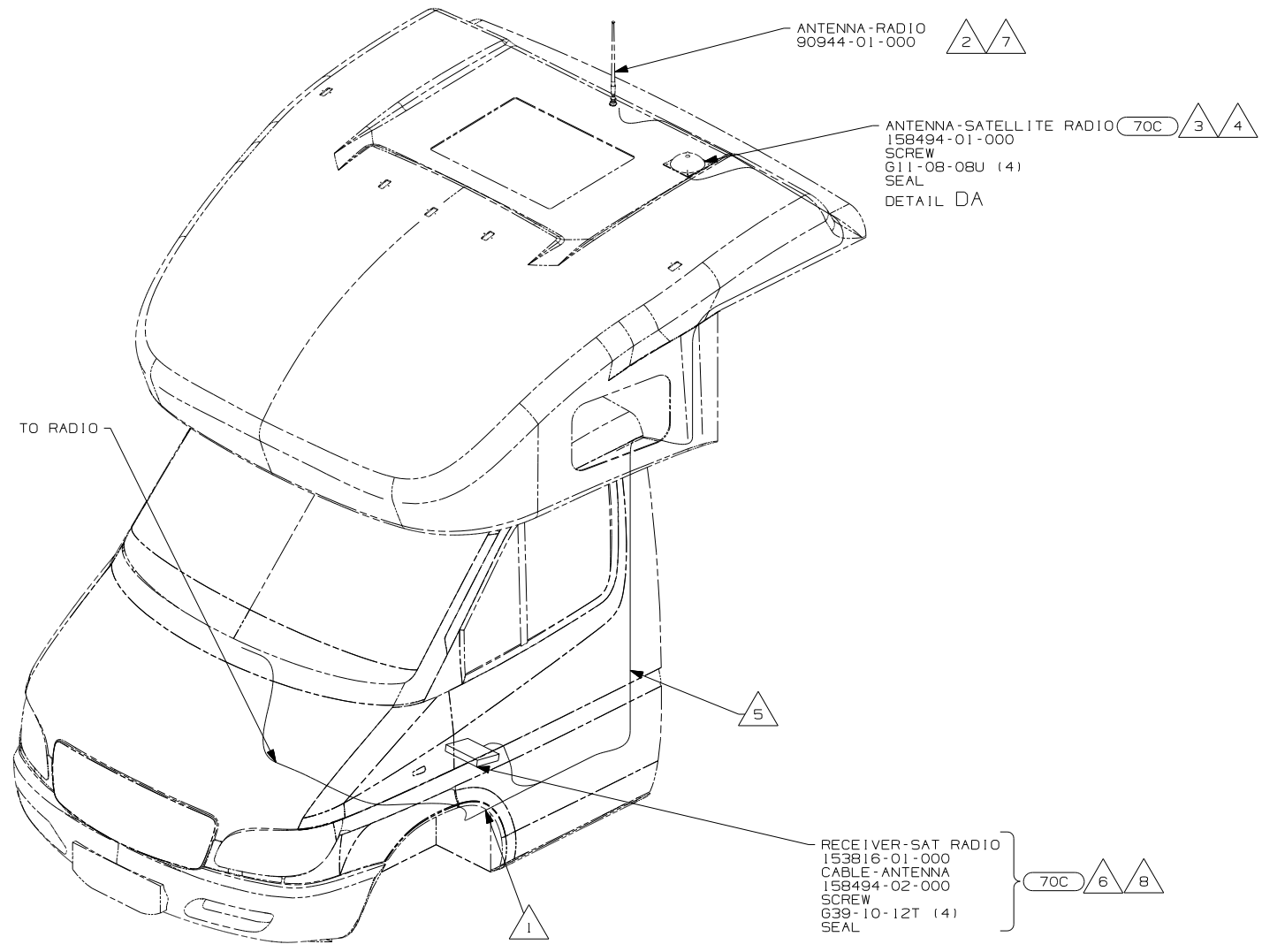
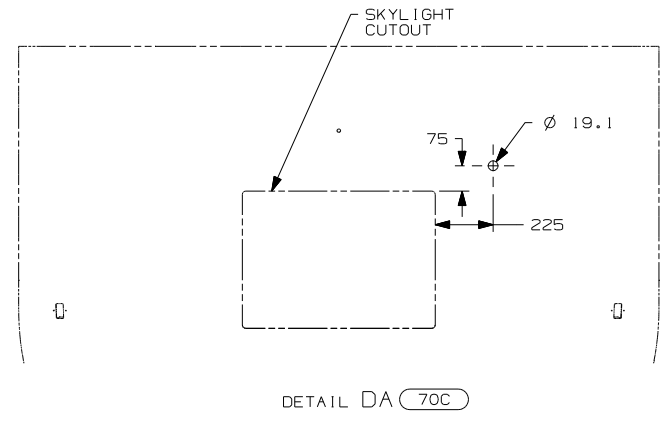
|                                      |                |
|--------------------------------------|----------------|
| FIRST USED                           |                |
| 06 MOTORHOMES                        |                |
| DO NOT SCALE DRAWING                 |                |
| TITLE:<br>ANTENNA INSTL-RADIO AND CB |                |
| SHEET 2                              | PART NO 152091 |



- 12 PROVIDE A 1000 DROP OF CB ANTENNA CABLE FROM THE TOP OF THE A-PILLAR TO CONNECT TO THE ANTENNA AND PLACE THE EXCESS CABLE IN THE CB PREP BAG LOCATED UNDER THE DASH.
- 11 TUNING RINGS ARE TO BE BOTH ADJUSTED TO THE TOP OF THEIR TRAVEL AND TIGHTENED AGAINST EACH OTHER.
- 10 TIGHTEN JOINTS BETWEEN ANTENNA BASE AND ANTENNA PIVOT AND ALSO THE MAST AND ANTENNA PLATE.
- 9 MOUNT ANTENNA SUCH THAT BASE IS SQUARE W/REAR OF ROOF CAP & CENTER HOLE OF ANTENNA DIRECTLY OVER HOLE IN FIBERGLASS. SEAL HOLE, BASE, AND SCREWS.
- 8 SEE WIRING INSTL-FRONT END FOR ADDITIONAL INFORMATION.
- 7 USE HOLE IN BRACKET AS GUIDE TO DRILL 13 DIAMETER HOLE IN FIBERGLASS.
- 6 TO RADIO.
- 5 ATTACH ANTENNA-CB GROUND WIRE TO CAB FRAME, USE SCREW 639-08-08B.
- 4 SEAL AROUND ANTENNA BASE.
- 3 ROUTE CABLE ALONG A-POST, UNDER TRIM COVER.
- 2 MEASURED FROM REAR EDGE OF FIBERGLASS CAP.
- 1 SEE WIRING INSTL-FRONT END FOR LOCATION OF COAX END AND LABEL.

(70C) RADIO - SATELLITE  
(40J) CB RADIO PREP

|                                      |                |
|--------------------------------------|----------------|
| FIRST USED                           |                |
| 06 MOTORHOMES                        |                |
| DO NOT SCALE DRAWING                 |                |
| TITLE:<br>ANTENNA INSTL-RADIO AND CB |                |
| SHEET 3                              | PART NO 152091 |



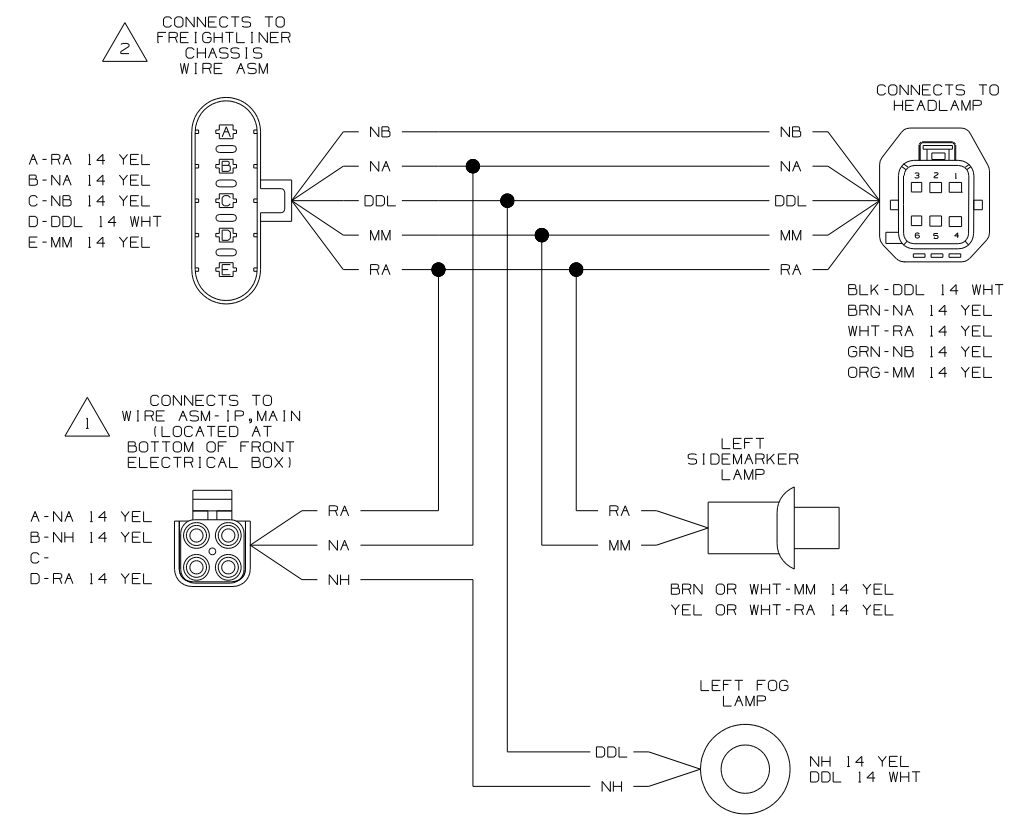
- 8 CONNECT CoNET CABLE SUPPLIED WITH SATELLITE RECEIVER BETWEEN DASH RADIO AND SATELLITE RECEIVER TERMINAL LABELED 'HEADUNIT'.
  - 7 CUT AND REMOVE A 75MM X 75MM AREA OF THE ALUMINUM INSULATION CENTERED ABOUT THE RADIO ANTENNA HOLE IN ROOF CAP.
  - 6 MOUNT RECEIVER TO FLOOR UNDER DRIVER'S SEAT. SEAL ALL SCREWS.
  - 5 ROUTE SATELLITE RADIO ANTENNA CABLE ALONG B-POST TO BENEATH DRIVERS SEAT TO SATELLITE RADIO RECEIVER. PLUG ANTENNA CABLE INTO RECEIVER TERMINAL LABELED 'ANTENNA'.
  - 4 SEE WIRE INSTL-CHASSIS FOR ADDITIONAL INFORMATION.
  - 3 MOUNT ANTENNA SUCH THAT BASE IS SQUARE W/REAR OF ROOF CAP & CENTER HOLE OF ANTENNA DIRECTLY OVER HOLE IN FIBERGLASS. SEAL HOLE, BASE, AND SCREWS.
  - 2 SEAL AROUND ANTENNA BASE.
  - 1 ROUTE RADIO ANTENNA CABLE FROM DASH RADIO THROUGH STEP WELL UP B-POST TO ROOF CAP.
- NOTES:

70C RADIO - SATELLITE

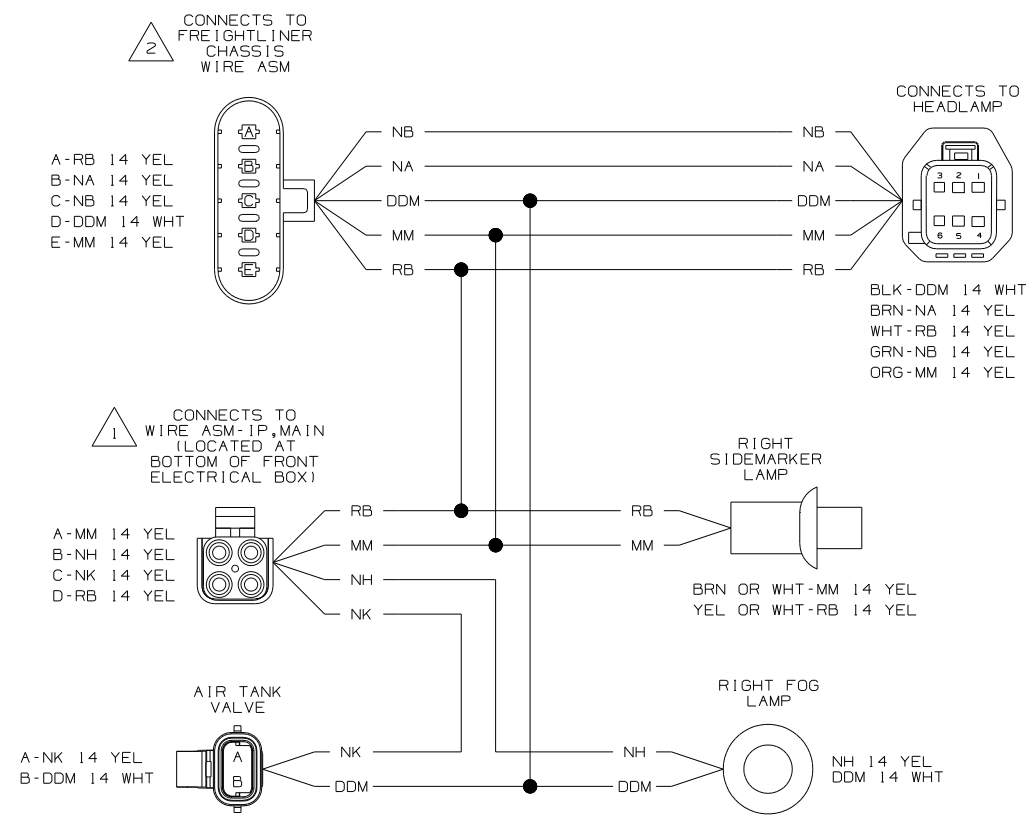
FOR ELECTRICAL TORQUE SPECIFICATIONS SEE DWG NO. 128783-01-000

FOR ELECTRICAL CALLOUTS SEE DWG NO. 121339-01-000

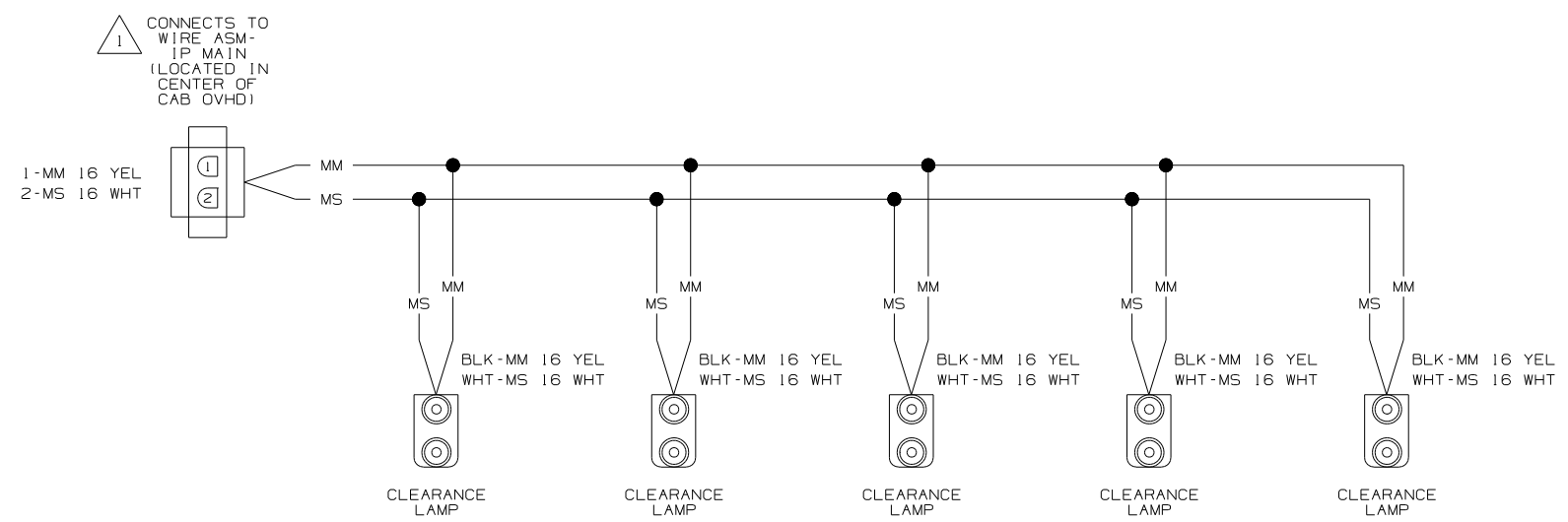
|                                   |                |
|-----------------------------------|----------------|
| FIRST USED                        |                |
| 06 MOTOR HOMES                    |                |
| DO NOT SCALE DRAWING              |                |
| TITLE: ANTENNA INSLT-RADIO AND CB |                |
| SHEET 4                           | PART NO 152091 |



WIRING DIAGRAM-HEADLAMP  
(WIRE ASM 146086-05 REV-K)  
(WINNEBAGO)



WIRING DIAGRAM-HEADLAMP  
(WIRE ASM 146086-06 REV-K)  
(WINNEBAGO)



WIRING DIAGRAM-CLEARANCE LAMPS  
(WIRE ASM 126486-04 REV-F)

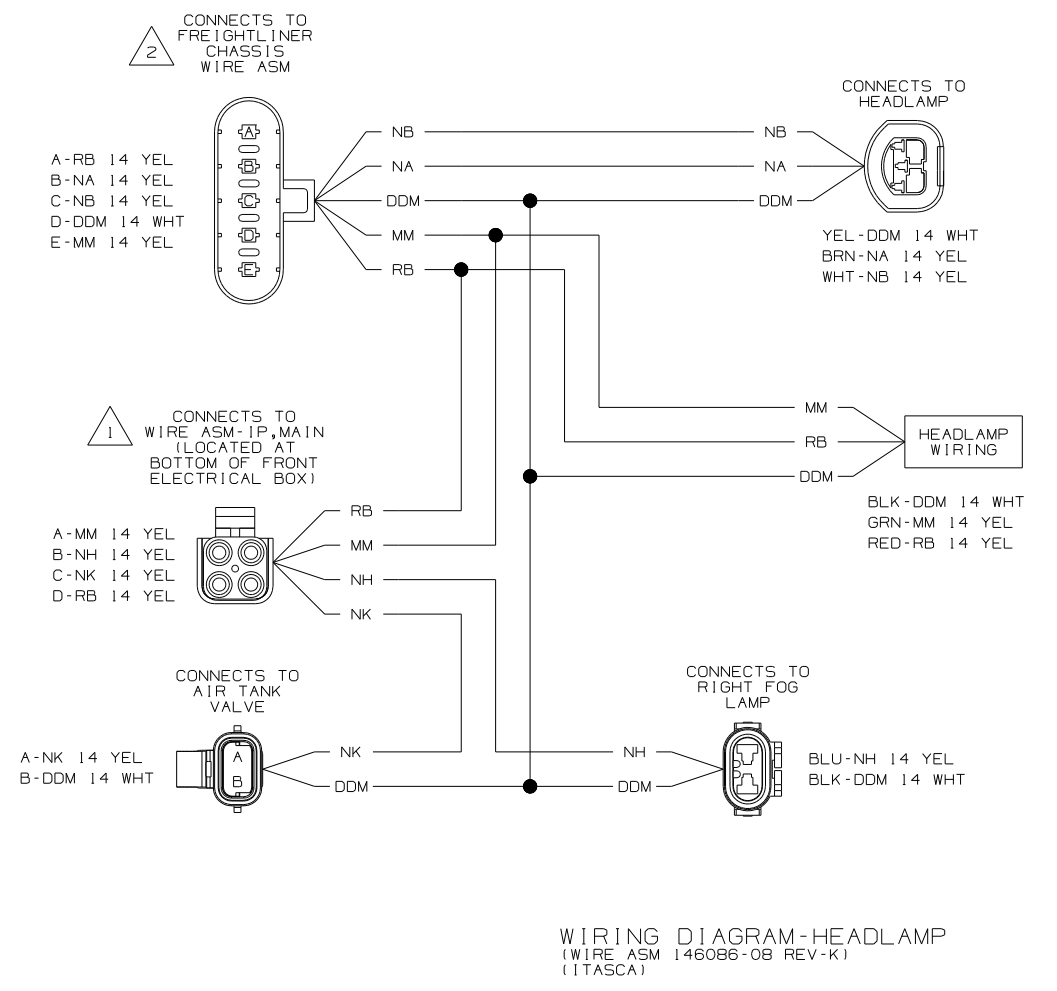
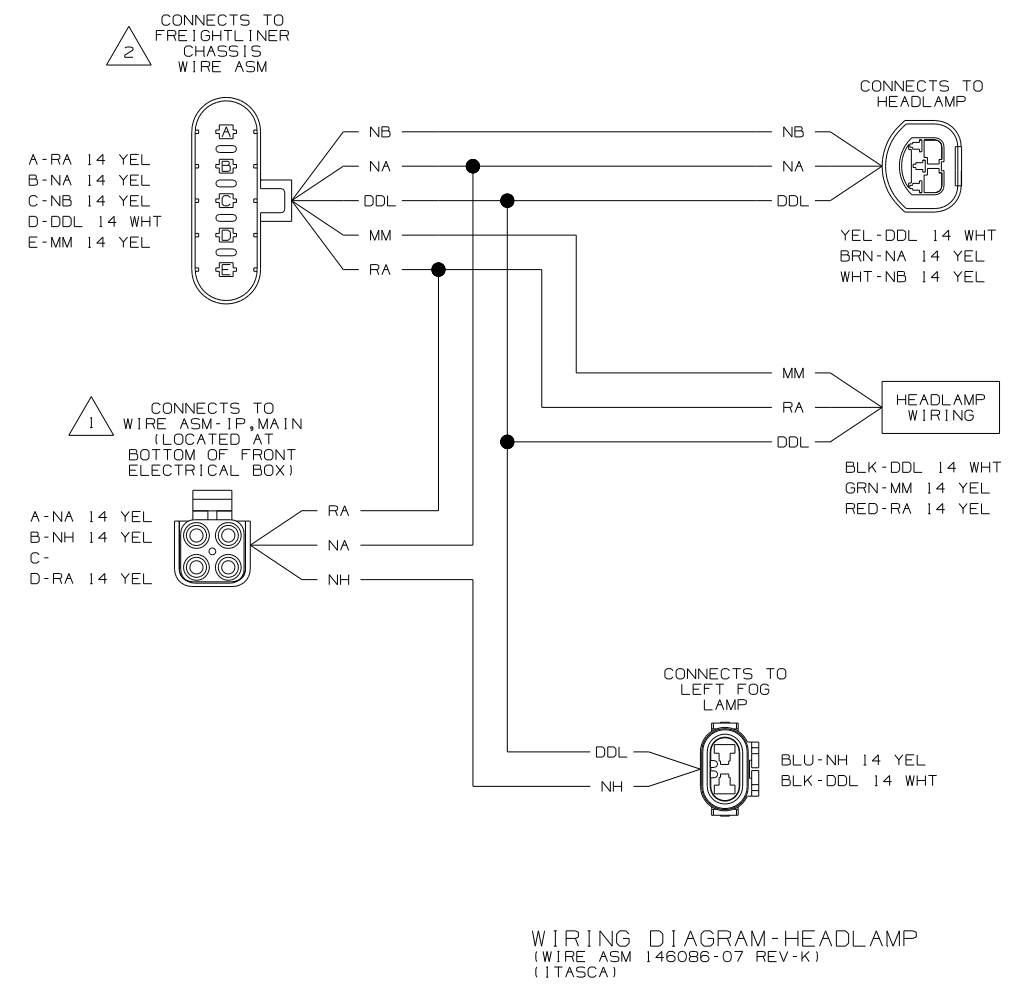
NOTES:

2 SEE MANUFACTURER'S DIAGRAM FOR ADDITIONAL INFORMATION.

1 SEE WIRING DIAGRAM AUTO FOR ADDITIONAL INFORMATION.

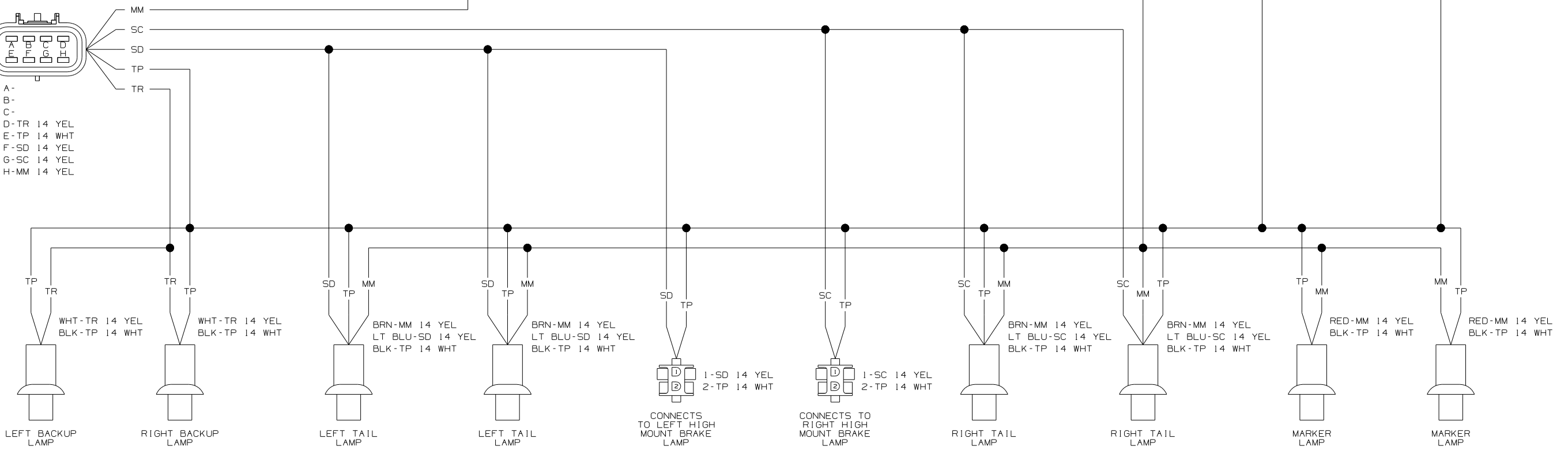
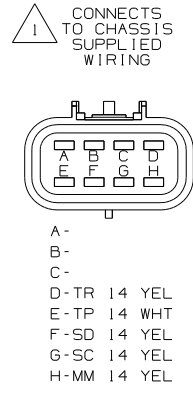
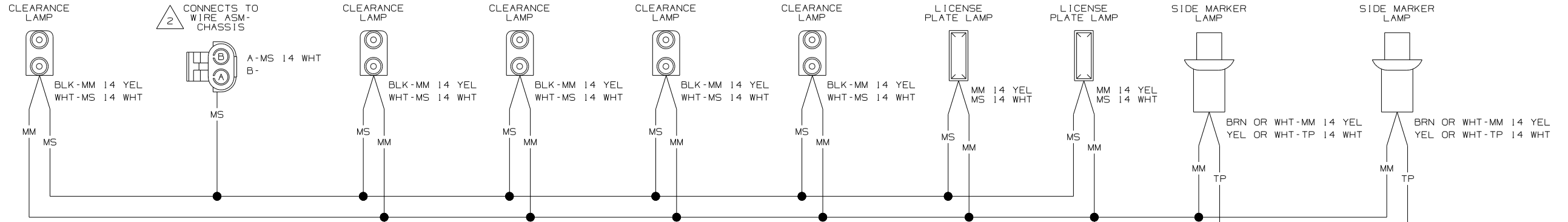
|                                     |                                      |   |
|-------------------------------------|--------------------------------------|---|
| <b>WINNEBAGO</b>                    |                                      | COPYRIGHT 2004<br>WINNEBAGO<br>INDUSTRIES, INC. |
| DFTR                                | ORIG. DATE                           |   |
| CHKR                                | ALL DIMENSIONS ARE<br>IN MILLIMETERS |   |
| P.E.                                |                                      |   |
| M.E.                                | FIRST USED                           |   |
| DSNR                                | 06 S-SERIES                          |   |
| UNSPECIFIED TOLERANCES ARE:         |                                      | MATERIAL:                                       |
| WHOLE DIM (X)                       | :                                    |   |
| ONE-PLACE (X.X)                     | :                                    |   |
| TWO-PLACE (X.XX)                    | :                                    |   |
| ANGLE                               | :                                    |   |
| THIRD ANGLE<br>PROJECTION           |                                      |   |
| DO NOT SCALE DRAWING                |                                      |   |
| TITLE:<br>WIRING DIAGRAM-AUTO LAMPS |                                      |   |
| SHEET 1 OF 3                        | PART NO                              | 152120  |
| REF:                                | 1 5/18/2005                          |   |





NOTES:  
 2 SEE MANUFACTURER'S DIAGRAM FOR ADDITIONAL INFORMATION.  
 1 SEE WIRING DIAGRAM AUTO FOR ADDITIONAL INFORMATION.

|            |                           |
|------------|---------------------------|
| FIRST USED | 06 S-SERIES               |
| TITLE      | DO NOT SCALE DRAWING      |
|            | WIRING DIAGRAM-AUTO LAMPS |
| SHEET 2    | PART NO 152120            |



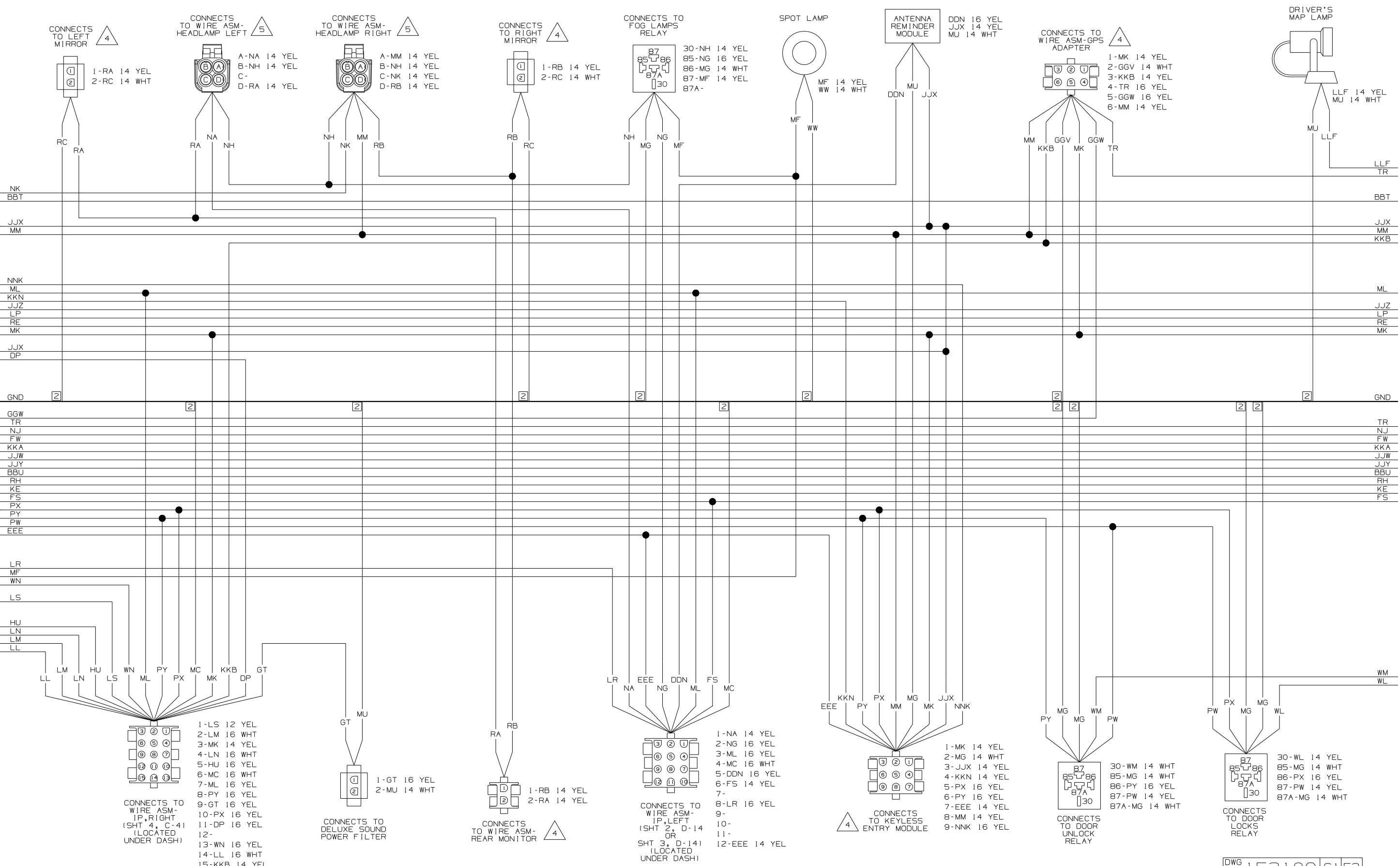
WIRING DIAGRAM-BACKWALL, FL (WIRE ASM 146221-06 REV-K1)

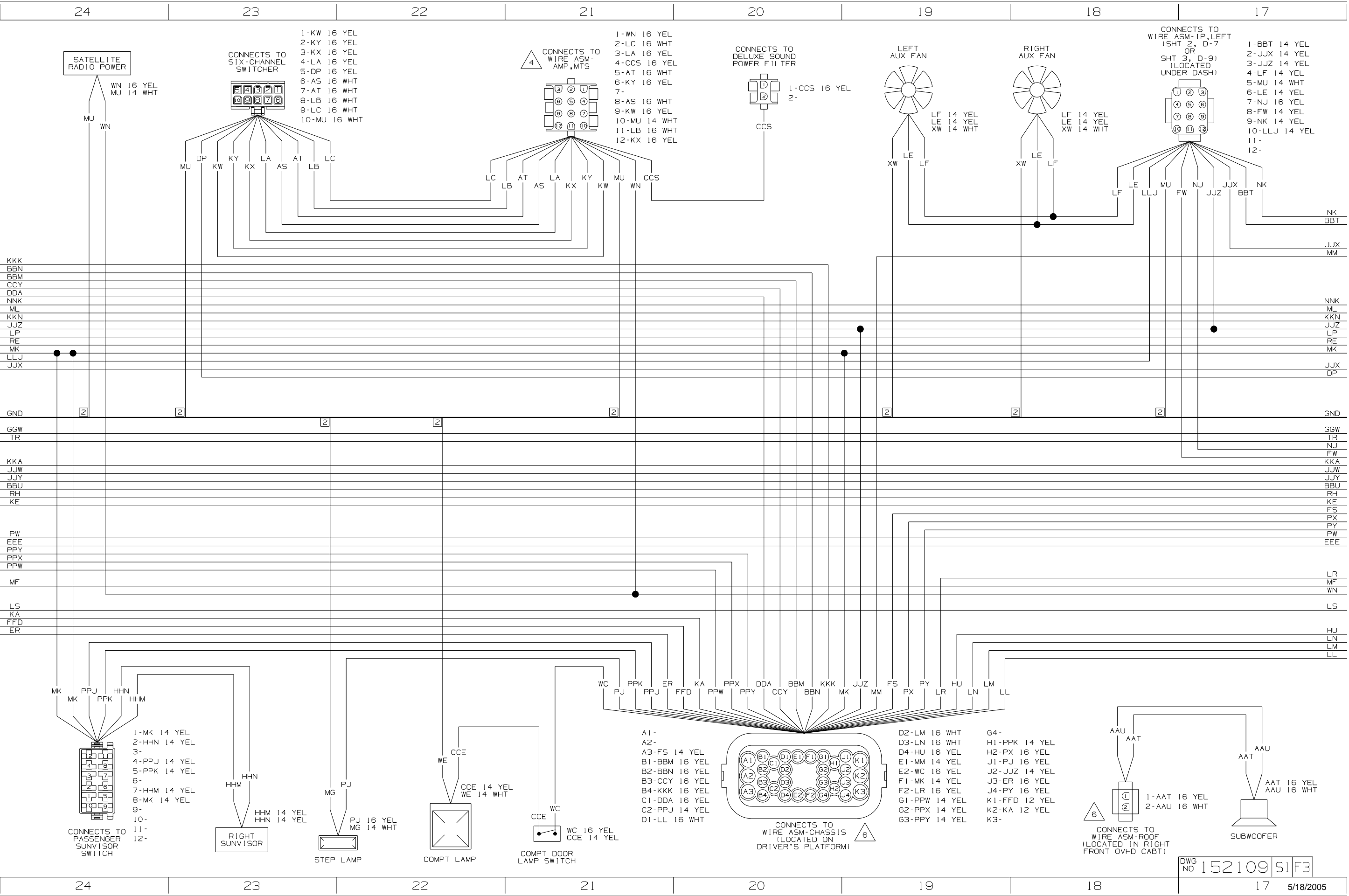
NOTES:

2 SEE WIRING DIAGRAM-BODY, 12V FOR ADDITIONAL INFORMATION.

1 SEE MANUFACTURER'S DIAGRAM FOR ADDITIONAL INFORMATION.

|                           |                      |
|---------------------------|----------------------|
| FIRST USED                | 06 S-SERIES          |
| TITLE                     | DO NOT SCALE DRAWING |
| WIRING DIAGRAM-AUTO LAMPS |                      |
| SHEET 3                   | PART NO 152120       |





SATELLITE RADIO POWER

CONNECTS TO SIX-CHANNEL SWITCHER

CONNECTS TO WIRE ASM-MTS

CONNECTS TO DELUXE SOUND POWER FILTER

CONNECTS TO WIRE ASM-IP, LEFT (SHT 2, D-7) OR SHT 3, D-9) (LOCATED UNDER DASH)

WN 16 YEL  
MU 14 WHT

- 1-KW 16 YEL
- 2-KY 16 YEL
- 3-KX 16 YEL
- 4-LA 16 YEL
- 5-DP 16 YEL
- 6-AS 16 WHT
- 7-AT 16 WHT
- 8-LB 16 WHT
- 9-LC 16 WHT
- 10-MU 16 WHT

- 1-WN 16 YEL
- 2-LC 16 WHT
- 3-LA 16 YEL
- 4-CCS 16 YEL
- 5-AT 16 WHT
- 6-KY 16 YEL
- 7-
- 8-AS 16 WHT
- 9-KW 16 YEL
- 10-MU 14 WHT
- 11-LB 16 WHT
- 12-KX 16 YEL

1-CCS 16 YEL  
2-

LEFT AUX FAN

RIGHT AUX FAN

- 1-BBT 14 YEL
- 2-JJX 14 YEL
- 3-JJZ 14 YEL
- 4-LF 14 YEL
- 5-MU 14 WHT
- 6-LE 14 YEL
- 7-NJ 16 YEL
- 8-FW 14 YEL
- 9-NK 14 YEL
- 10-LLJ 14 YEL
- 11-
- 12-

LF 14 YEL  
LE 14 YEL  
XW 14 WHT

LF 14 YEL  
LE 14 YEL  
XW 14 WHT

LF  
LE  
LLJ  
MU  
FW  
NJ  
JJZ  
BBT  
NK

KKK  
BBN  
BBM  
CCY  
DDA  
NNK  
ML  
KKN  
JJZ  
LP  
RE  
MK  
LLJ  
JJX

NK  
BBT  
JJX  
MM  
NNK  
ML  
KKN  
JJZ  
LP  
RE  
MK  
JJX  
DP

GND

GND

GGW

GGW

TR

TR

KKA

KKA

JJW

JJW

JJY

JJY

BBU

BBU

RH

RH

KE

KE

PW

PW

EEE

EEE

PPY

PPY

PPX

PPX

PPW

PPW

MF

MF

LS

LS

KA

KA

FFD

FFD

ER

ER

MK

MK

PPJ

PPJ

PPK

PPK

HHN

HHN

HHM

HHM

CONNECTS TO PASSENGER SUNVISOR SWITCH

RIGHT SUNVISOR

STEP LAMP

COMPT LAMP

COMPT DOOR LAMP SWITCH

CONNECTS TO WIRE ASM-CHASSIS (LOCATED ON DRIVER'S PLATFORM)

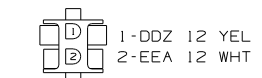
CONNECTS TO WIRE ASM-ROOF (LOCATED IN RIGHT FRONT OVHD CABT)

SUBWOOFER

DWG NO 152109 S1 F3

5/18/2005

CONNECTS TO KEYLESS ENTRY MODULE (4)



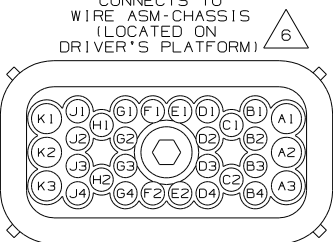
1-DDZ 12 YEL  
2-EEA 12 WHT

CONNECTS TO WIRE ASM-COMPT DOOR LOCKS (LOCATED ON DRIVER'S PLATFORM) (6)



1-DDV 12 YEL  
2-DDW 12 WHT

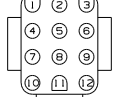
- A1-DDT 12 YEL
- A2-DDU 12 WHT
- A3-DDV 12 YEL
- B1-CCZ 16 YEL
- B2-DR 16 YEL
- B3-DU 16 YEL
- B4-RE 10 YEL
- C1-DDZ 12 YEL
- C2-EEA 12 WHT
- D1-PPS 14 YEL



- D2-PPT 14 YEL
- D3-PPU 14 YEL
- D4-PPV 14 YEL
- E1-NNK 16 YEL
- E2-KKL 16 YEL
- F1-HHE 16 YEL
- F2-HHF 16 YEL
- G1-
- G2-
- G3-

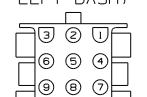
- G4-
- H1-LP 16 YEL
- H2-
- J1-
- J2-
- J3-KKM 16 YEL
- J4-KKN 14 YEL
- K1-DDW 12 WHT
- K2-
- K3-FX 12 YEL

CONNECTS TO WIRE ASM-ADAPTER, SLIDEOUT (SHT 5, D-4) OR SHT 6, D-6 OR SHT 7, D-6 (LOCATED UNDER LEFT DASH)

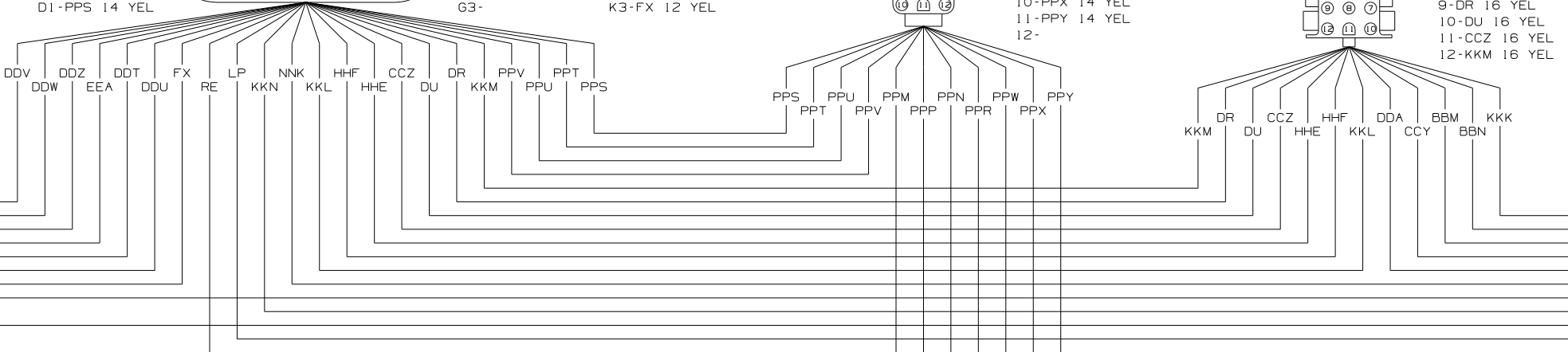


- 1-PPM 14 YEL
- 2-PPN 14 WHT
- 3-PPP 14 YEL
- 4-PPR 14 WHT
- 5-PPS 14 YEL
- 6-PPT 14 YEL
- 7-PPU 14 YEL
- 8-PPV 14 YEL
- 9-PPW 14 YEL
- 10-PPX 14 YEL
- 11-PPY 14 YEL
- 12-

CONNECTS TO WIRE ASM-ADAPTER, SLIDEOUT (SHT 5, D-6) OR (SHT 6, D-11) OR (SHT 7, D-11) (LOCATED UNDER LEFT DASH) (4)

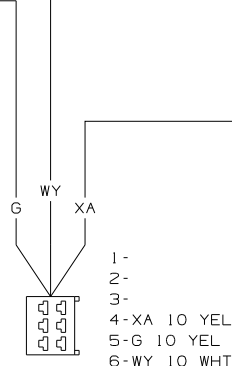
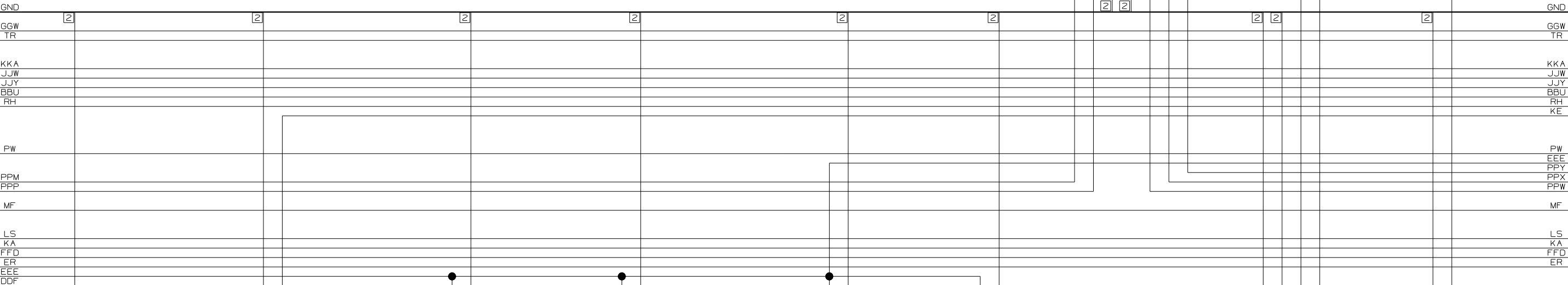


- 1-CCY 16 YEL
- 2-DDA 16 YEL
- 3-BBM 16 YEL
- 4-BBN 16 YEL
- 5-KKK 16 YEL
- 6-HHE 16 YEL
- 7-HHF 16 YEL
- 8-KKL 16 YEL
- 9-DR 16 YEL
- 10-DU 16 YEL
- 11-CCZ 16 YEL
- 12-KKM 16 YEL

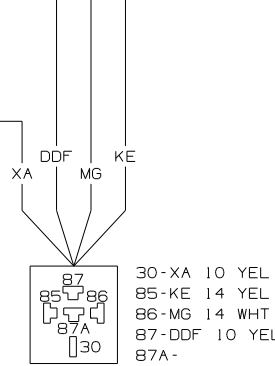


- DDV
- DDW
- DDZ
- EEA
- DDT
- DDU
- FX
- ML
- JJZ
- MK
- LLJ
- JJX

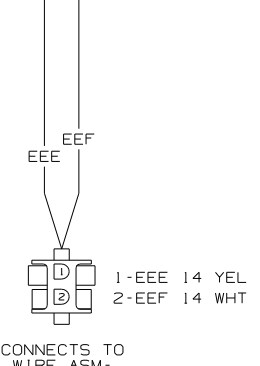
- KKK
- BBN
- BBM
- CCY
- DDA
- NNK
- ML
- KKN
- JJZ
- LP
- RE
- MK
- LLJ
- JJX



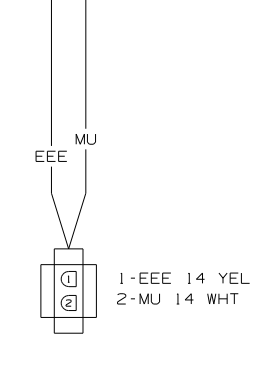
CONNECTS TO HEATER A/C CONTROLS (4)



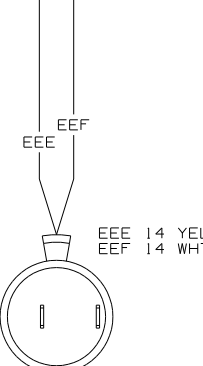
CONNECTS TO HEATER BLOWER RELAY



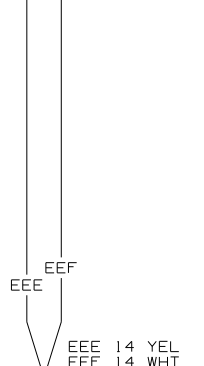
CONNECTS TO WIRE ASM-IP, RIGHT (SHT 4, C-8) (LOCATED UNDER DASH)



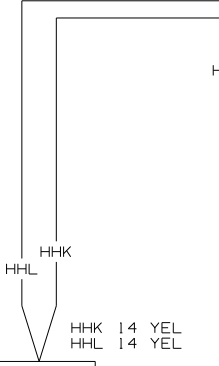
CONNECTS TO 2-WAY RADIO



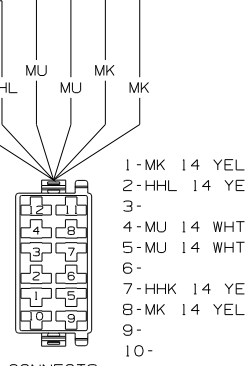
12V RECEPTACLE



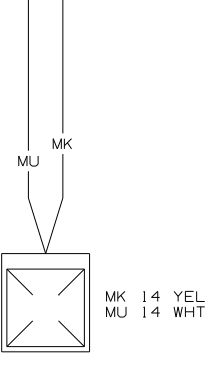
CB PREP



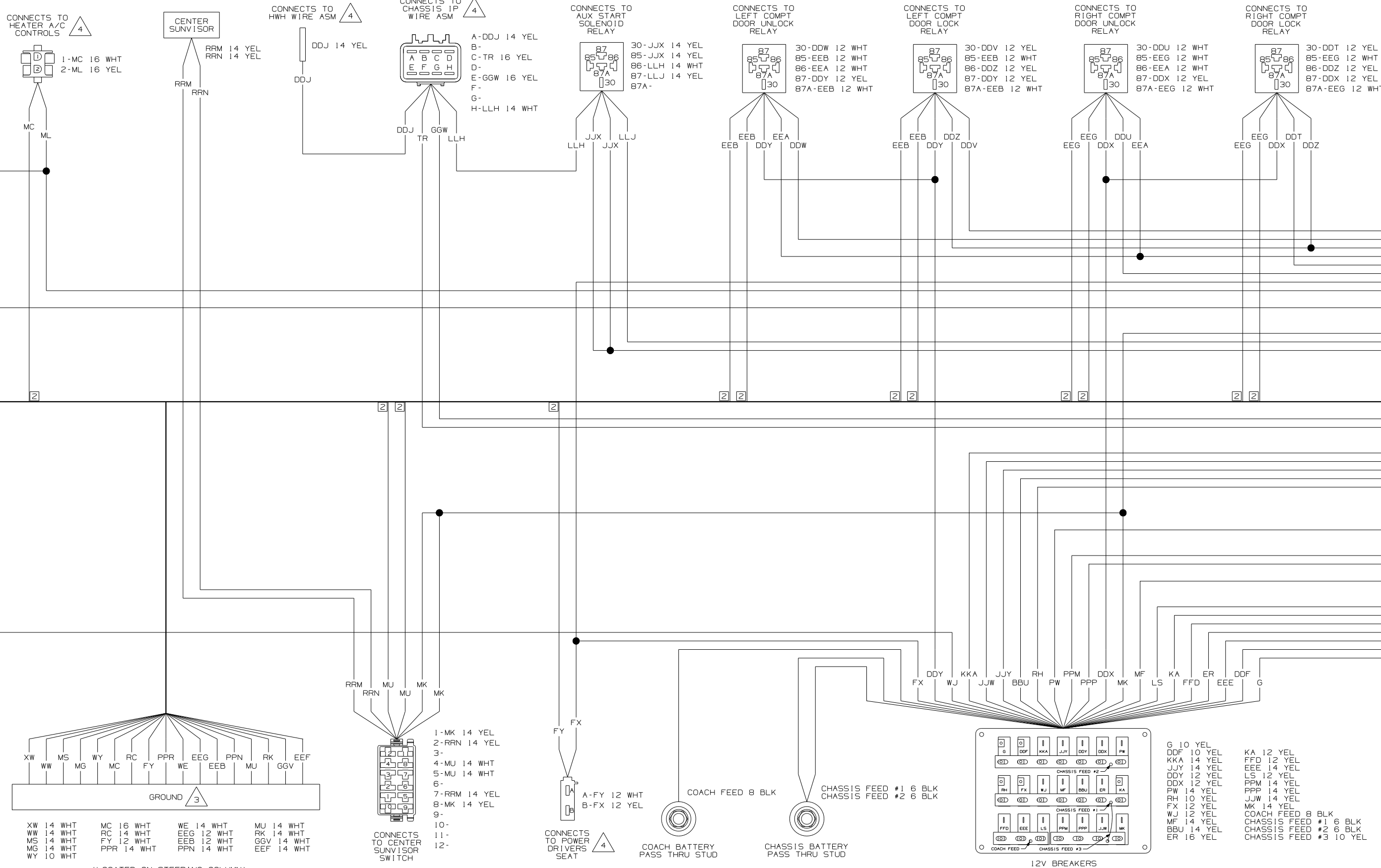
LEFT SUNVISOR



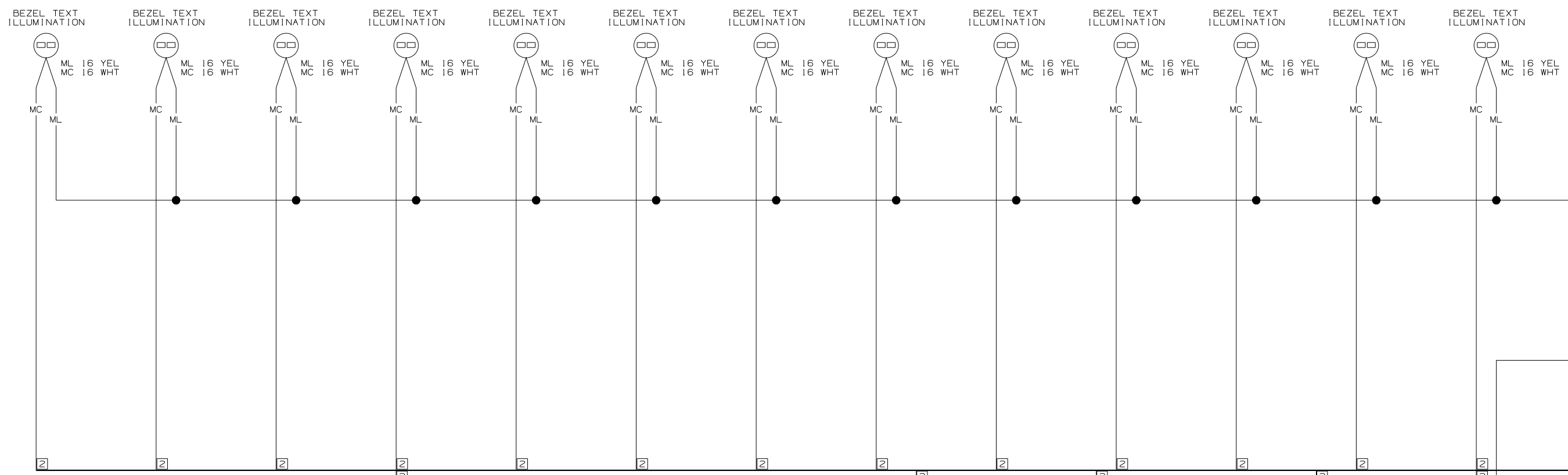
CONNECTS TO DRIVER SUNVISOR SWITCH



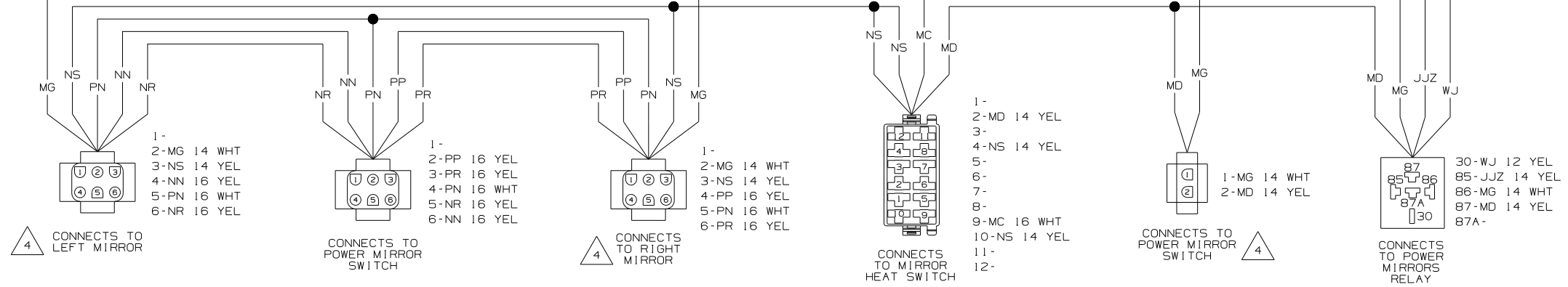
UNDER HOOD LAMP

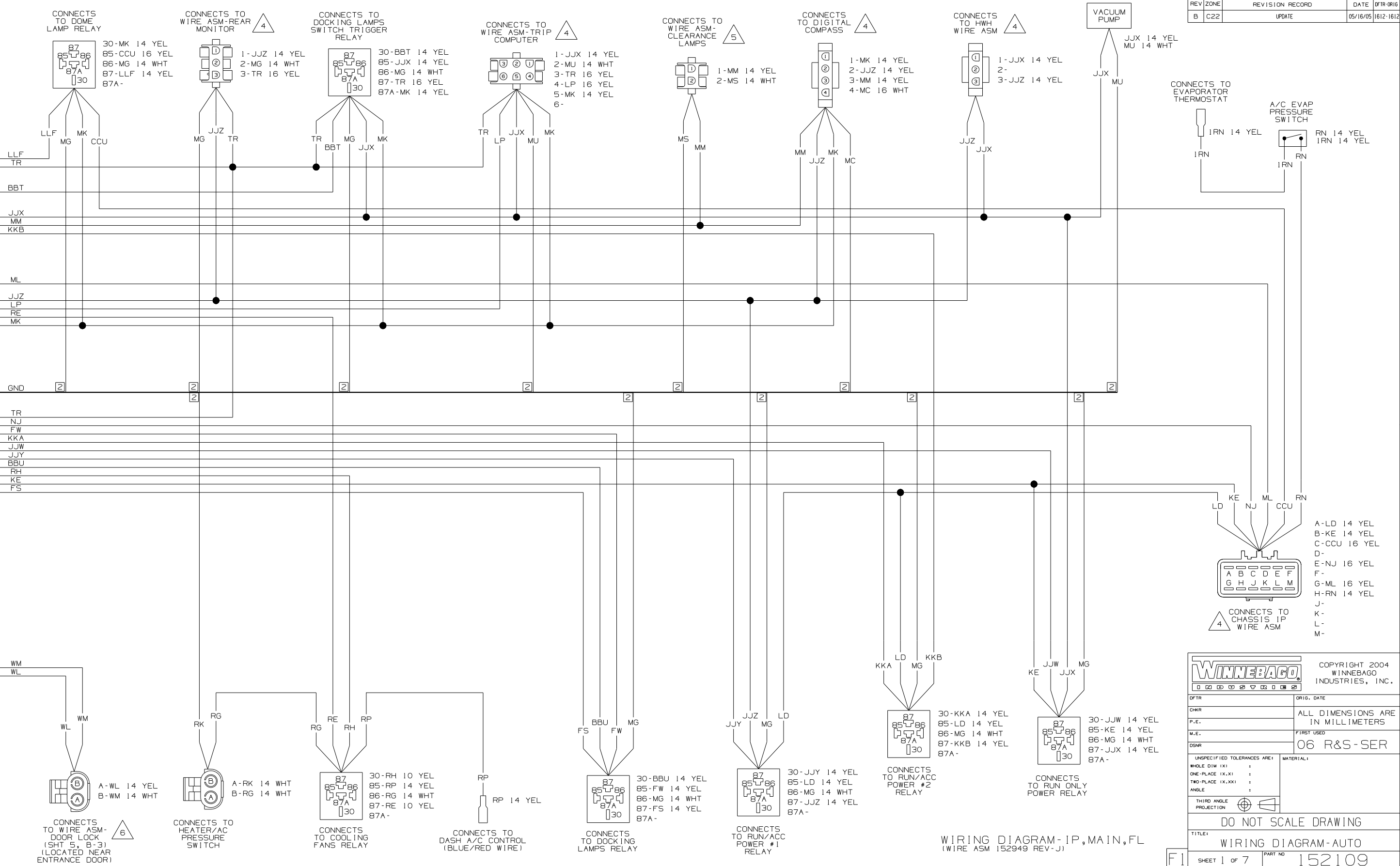


(LOCATED ON STEERING COLUMN)



- 6 SEE WIRING DIAGRAM-BODY,12V FOR ADDITIONAL INFORMATION.
  - 5 SEE WIRING DIAGRAM-AUTO LAMPS FOR ADDITIONAL INFORMATION.
  - 4 SEE MANUFACTURERS DIAGRAM FOR ADDITIONAL INFORMATION.
  - 3 GROUNDS ARE SHOWN AS A SINGLE LINE FOR EASE IN TRACING. EACH GROUND CIRCUIT IS SEPERATE IN THE HARNESS.
  - 2 NOT A SPLICE POINT. INDICATES ENTRY INTO WIRING HARNESS.
- NOTES:
1. SPLICES ARE THEORETICAL AND MAY DIFFER IN THE HARNESS.





WIRING DIAGRAM-IP, MAIN, FL  
(WIRE ASM 152949 REV-J)

**WINNEBAGO** COPYRIGHT 2004 WINNEBAGO INDUSTRIES, INC.

|                             |                                   |
|-----------------------------|-----------------------------------|
| DFTR                        | ORIG. DATE                        |
| CHR                         | ALL DIMENSIONS ARE IN MILLIMETERS |
| P.E.                        | FIRST USED                        |
| M.E.                        | 06 R&S-SER                        |
| DSNR                        |                                   |
| UNSPECIFIED TOLERANCES ARE: | MATERIAL:                         |
| WHOLE DIM (X)               |                                   |
| ONE-PLACE (X.X)             |                                   |
| TWO-PLACE (X.XX)            |                                   |
| ANGLE                       |                                   |
| THIRD ANGLE PROJECTION      |                                   |
| DO NOT SCALE DRAWING        |                                   |
| TITLE: WIRING DIAGRAM-AUTO  |                                   |
| SHEET 1 of 7                | PART NO 152109                    |



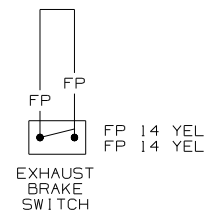
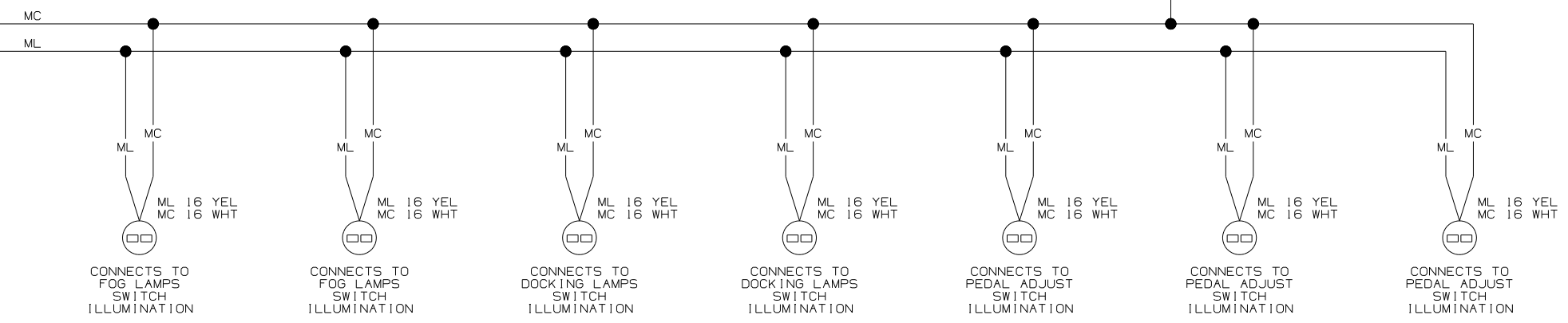
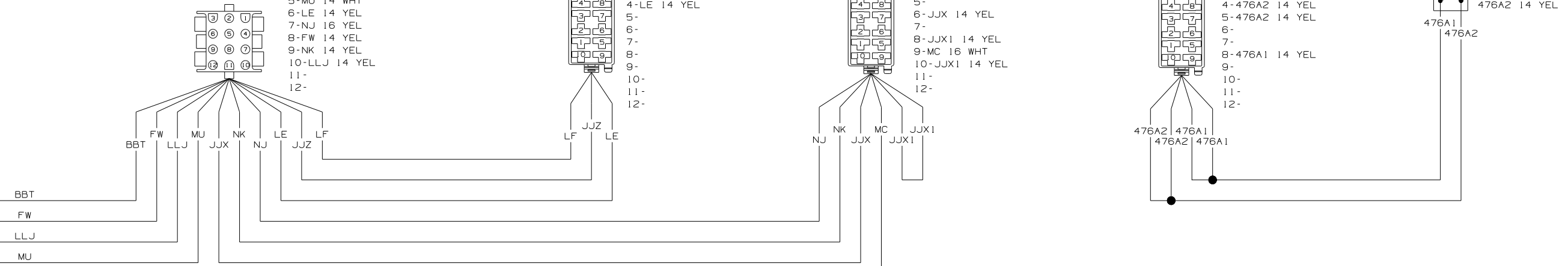
- CONNECTS TO WIRE ASM-IP,MAIN,FL (SHT 1, D-7) (LOCATED UNDER DASH)
- 1-BBT 14 YEL
  - 2-JJX 14 YEL
  - 3-JJZ 14 YEL
  - 4-LF 14 YEL
  - 5-MU 14 WHT
  - 6-LE 14 YEL
  - 7-NJ 16 YEL
  - 8-FW 14 YEL
  - 9-NK 14 YEL
  - 10-LLJ 14 YEL
  - 11-
  - 12-

- CONNECTS TO DEFROST FANS SWITCH
- 1-LF 14 YEL
  - 2-JJZ 14 YEL
  - 3-
  - 4-LE 14 YEL
  - 5-
  - 6-
  - 7-
  - 8-
  - 9-
  - 10-
  - 11-
  - 12-

- CONNECTS TO AIR HORN SWITCH
- 1-
  - 2-NJ 16 YEL
  - 3-
  - 4-NK 14 YEL
  - 5-
  - 6-JJX 14 YEL
  - 7-
  - 8-JJX1 14 YEL
  - 9-MC 16 WHT
  - 10-JJX1 14 YEL
  - 11-
  - 12-

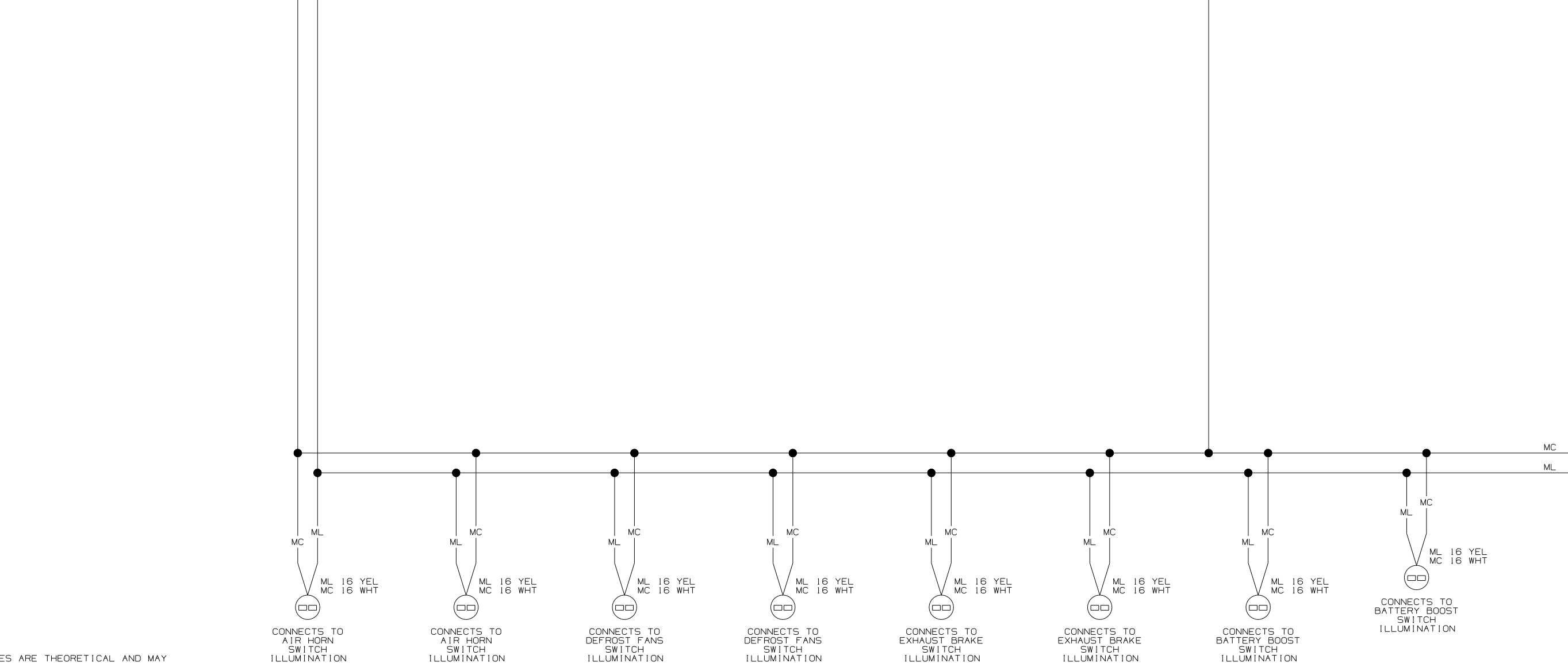
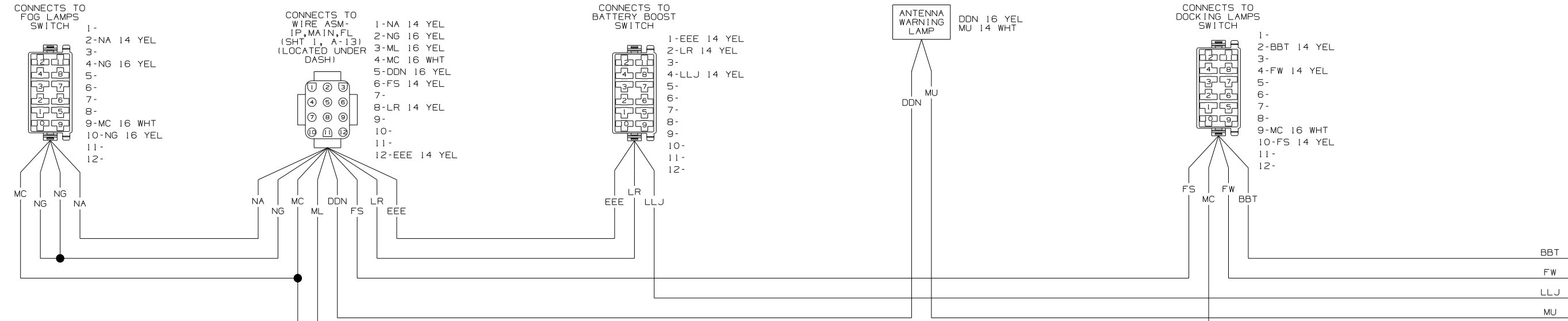
- CONNECTS TO PEDAL ADJUST SWITCH
- 1-476A1 14 YEL
  - 2-
  - 3-
  - 4-476A2 14 YEL
  - 5-476A2 14 YEL
  - 6-
  - 7-
  - 8-476A1 14 YEL
  - 9-
  - 10-
  - 11-
  - 12-

- CHASSIS SUPPLIED PEDAL ADJUST SWITCH
- 476A1 14 YEL
  - 476A2 14 YEL



WIRING DIAGRAM-IP,LEFT (WIRE ASM 145533-04 REV-M)

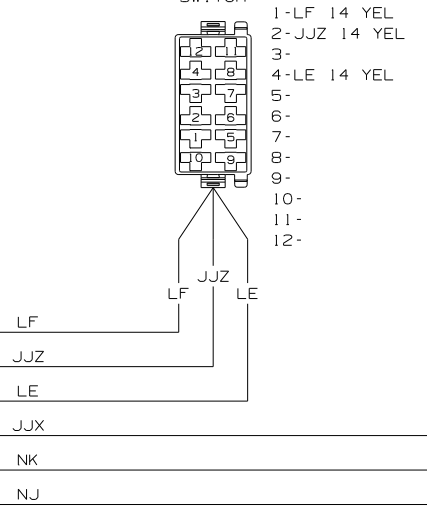
|            |                      |        |
|------------|----------------------|--------|
| FIRST USED | 06 R&S-SER           |        |
| TITLE      | DO NOT SCALE DRAWING |        |
|            | WIRING DIAGRAM-AUTO  |        |
| SHEET 2    | PART NO              | 152109 |



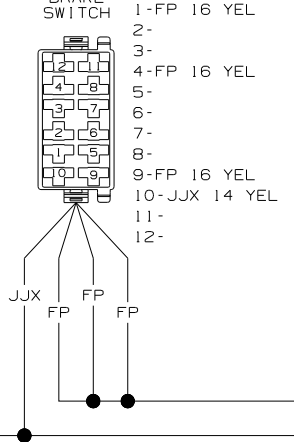
1. SPLICES ARE THEORETICAL AND MAY DIFFER IN THE HARNESS.

NOTES:

CONNECTS TO DEFROST FANS SWITCH



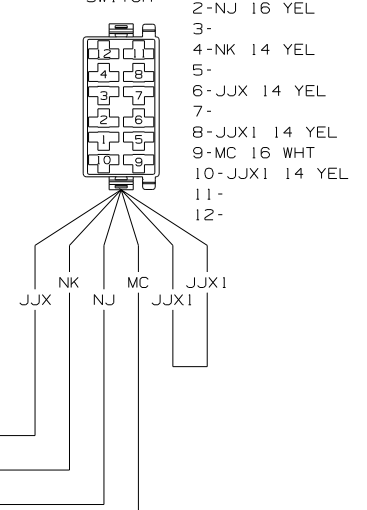
CONNECTS TO EXHAUST BRAKE SWITCH



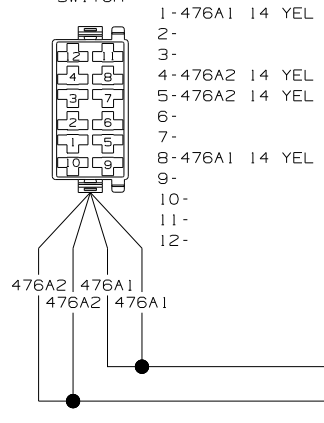
CONNECTS TO CHASSIS WIRING (LOCATED BELOW DASH)



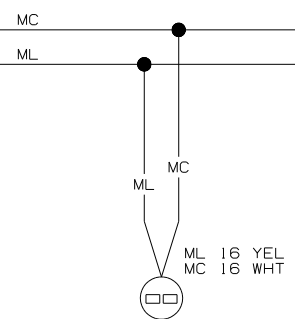
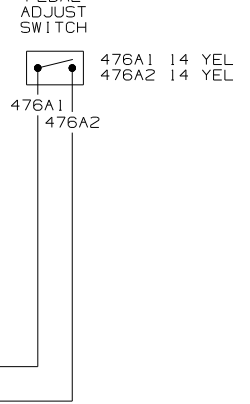
CONNECTS TO AIR HORN SWITCH



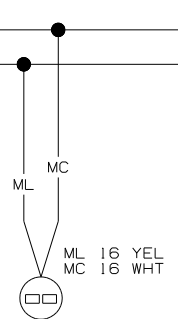
CONNECTS TO PEDAL ADJUST SWITCH



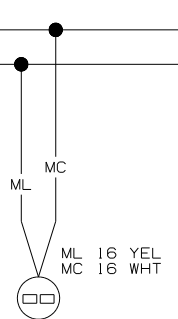
CHASSIS SUPPLIED PEDAL ADJUST SWITCH



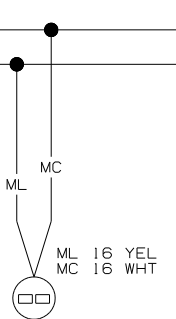
CONNECTS TO FOG LAMPS SWITCH ILLUMINATION



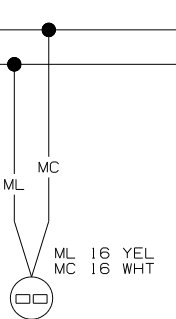
CONNECTS TO FOG LAMPS SWITCH ILLUMINATION



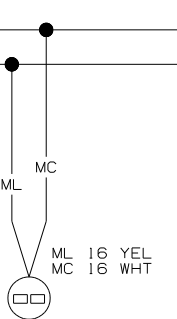
CONNECTS TO DOCKING LAMPS SWITCH ILLUMINATION



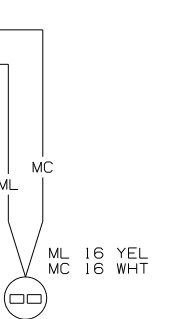
CONNECTS TO DOCKING LAMPS SWITCH ILLUMINATION



CONNECTS TO STEP COVER SWITCH ILLUMINATION



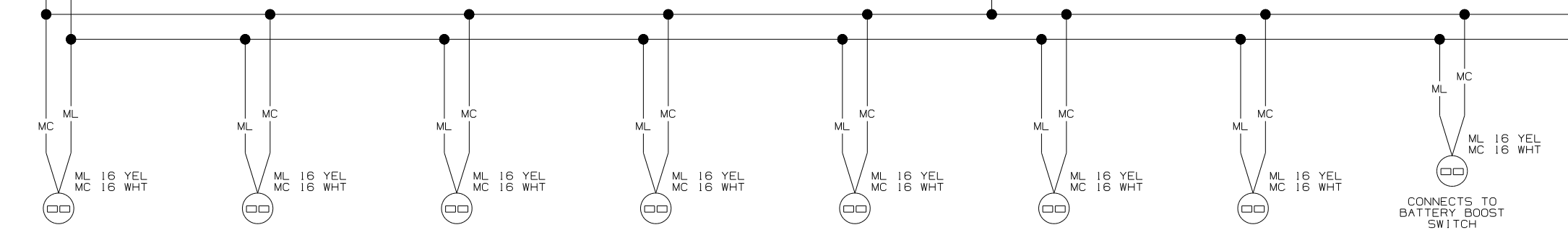
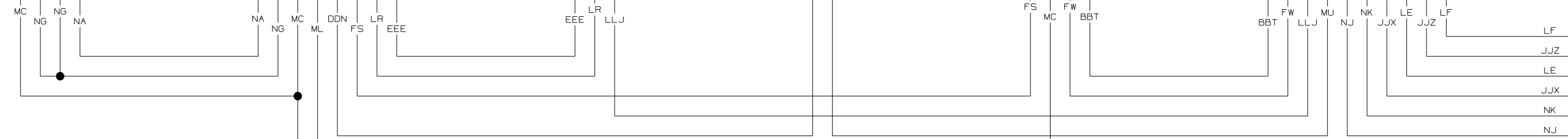
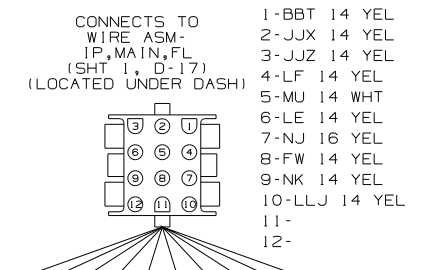
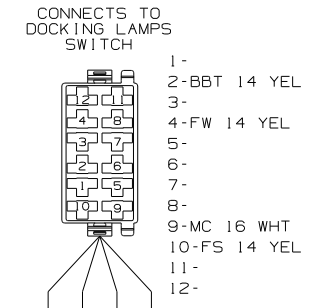
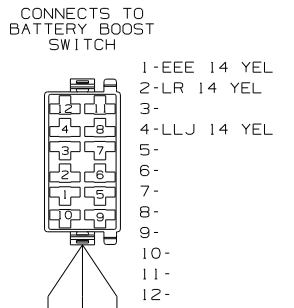
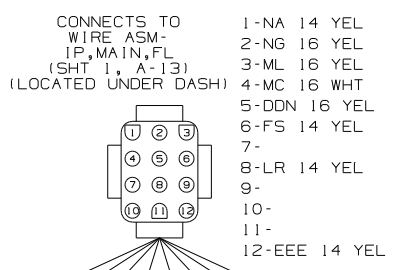
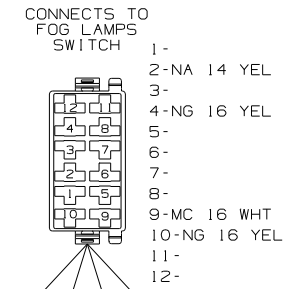
CONNECTS TO STEP COVER SWITCH ILLUMINATION



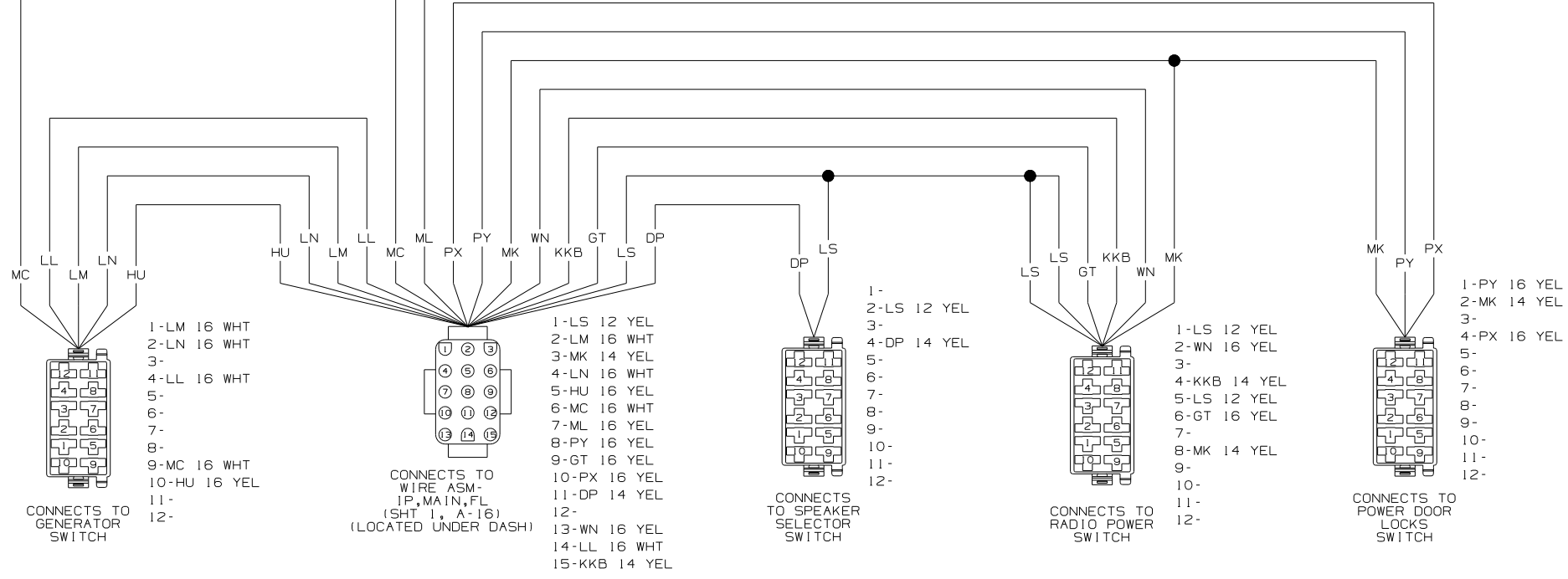
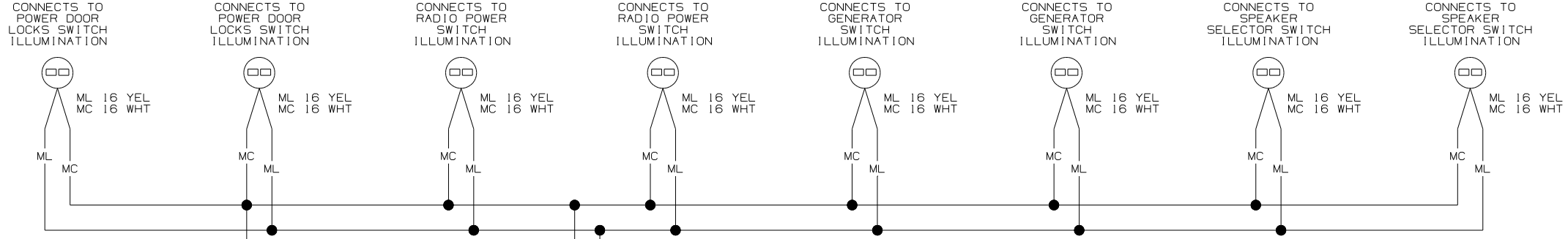
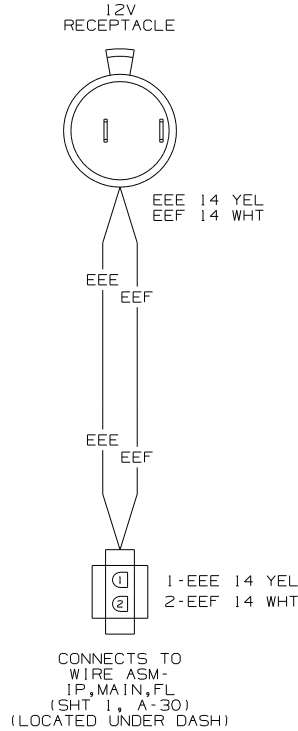
CONNECTS TO STEP COVER SWITCH ILLUMINATION

WIRING DIAGRAM-IP,LEFT  
(WIRE ASM 145533-05 REV-M)

|            |                      |        |
|------------|----------------------|--------|
| FIRST USED | 06 R&S-SER           |        |
| TITLE      | DO NOT SCALE DRAWING |        |
|            | WIRING DIAGRAM-AUTO  |        |
| SHEET 3    | PART NO              | 152109 |



NOTES:  
1. SPLICES ARE THEORETICAL AND MAY DIFFER IN THE HARNESS.

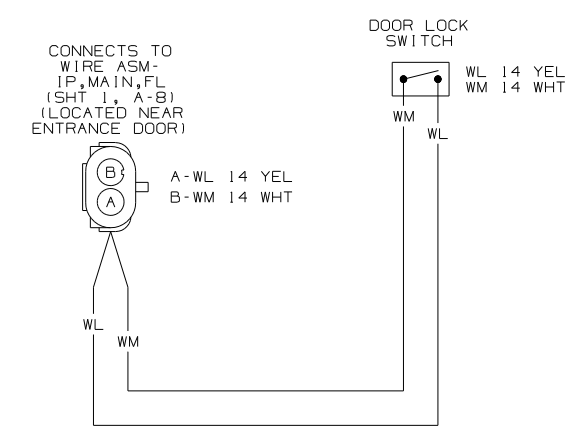
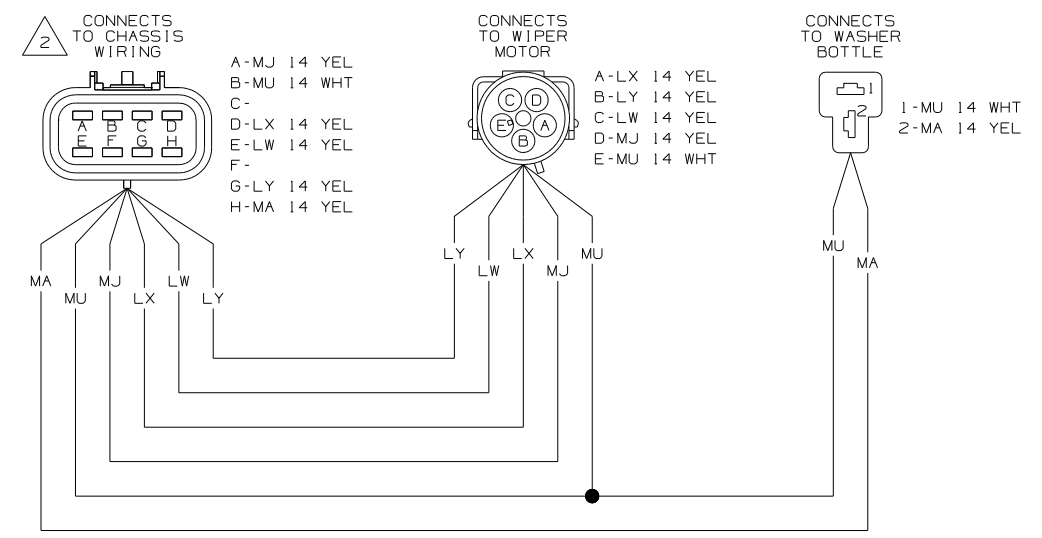
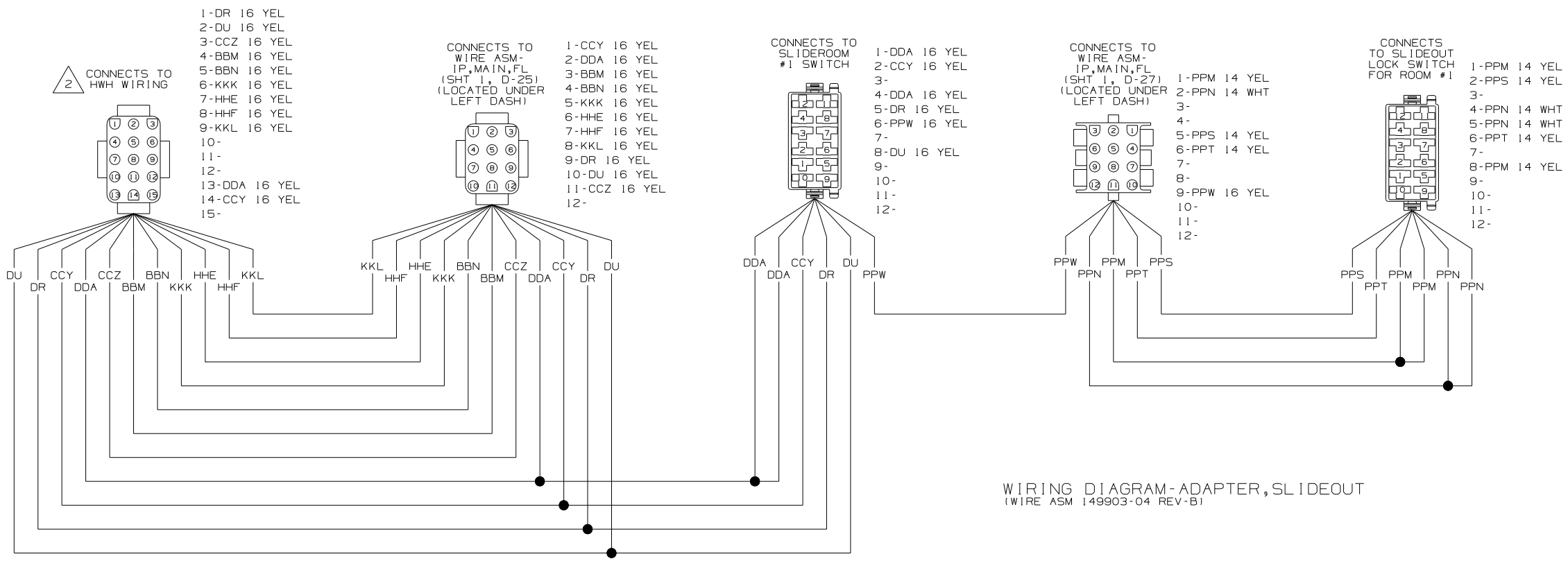


WIRING DIAGRAM-IP,RIGHT (WIRE ASM 145532 REV-D)

1. SPLICES ARE THEORETICAL AND MAY DIFFER IN THE HARNESS.

NOTES:

|            |                      |
|------------|----------------------|
| FIRST USED | 06 R&S-SER           |
| TITLE      | DO NOT SCALE DRAWING |
| TITLE      | WIRING DIAGRAM-AUTO  |
| SHEET 4    | PART NO 152109       |

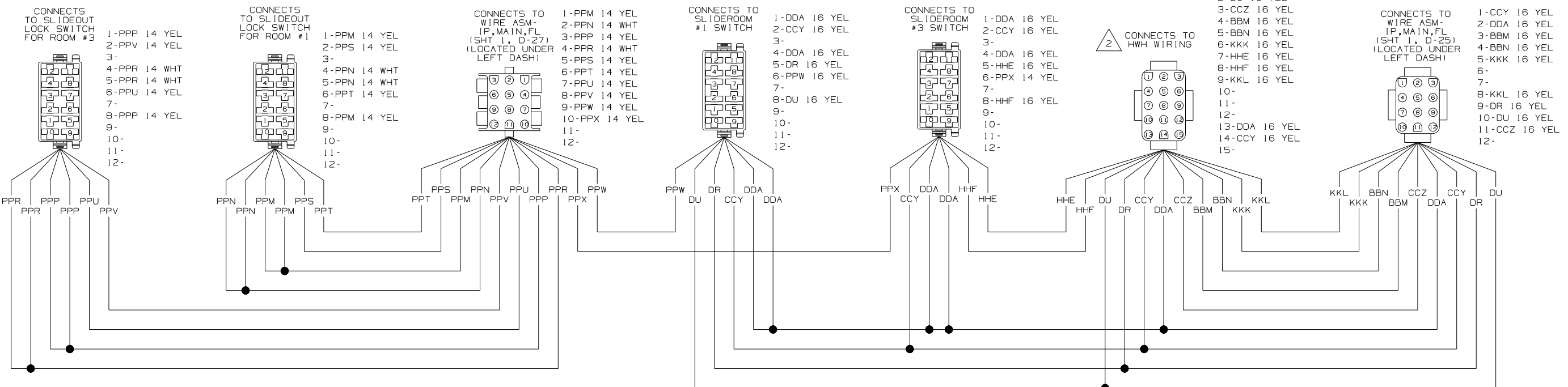


SEE MANUFACTURERS DIAGRAM FOR ADDITIONAL INFORMATION.

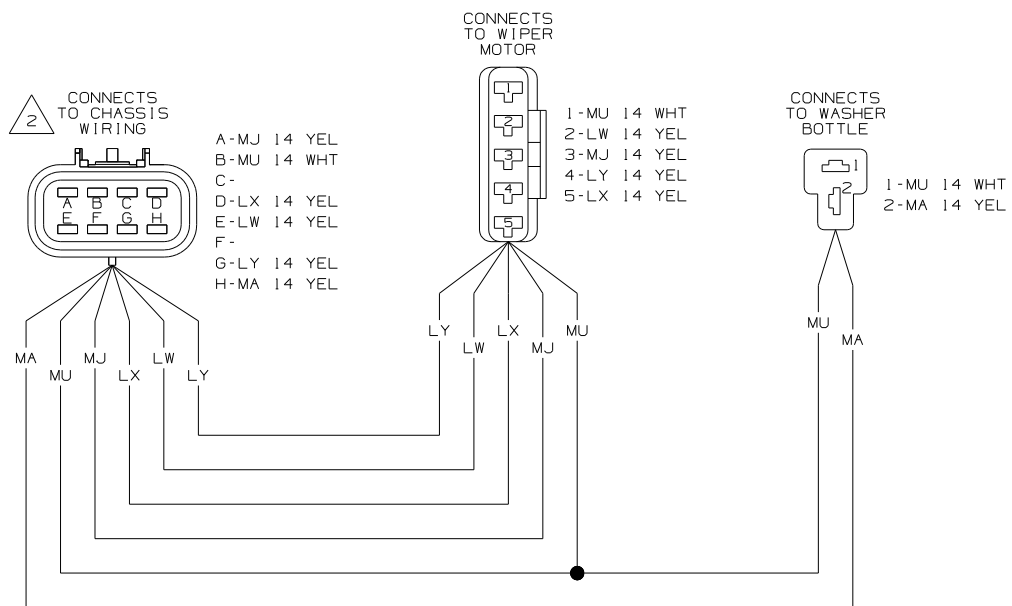
1. SPLICES ARE THEORETICAL AND MAY DIFFER IN THE HARNESS.

NOTES:

|            |                      |
|------------|----------------------|
| FIRST USED | 06 R&S-SER           |
| TITLE      | DO NOT SCALE DRAWING |
| SHEET 5    | WIRING DIAGRAM-AUTO  |
| PART NO    | 152109               |



WIRING DIAGRAM-ADAPTER, SLIDEOUT (WIRE ASM 149903-05 REV-B)



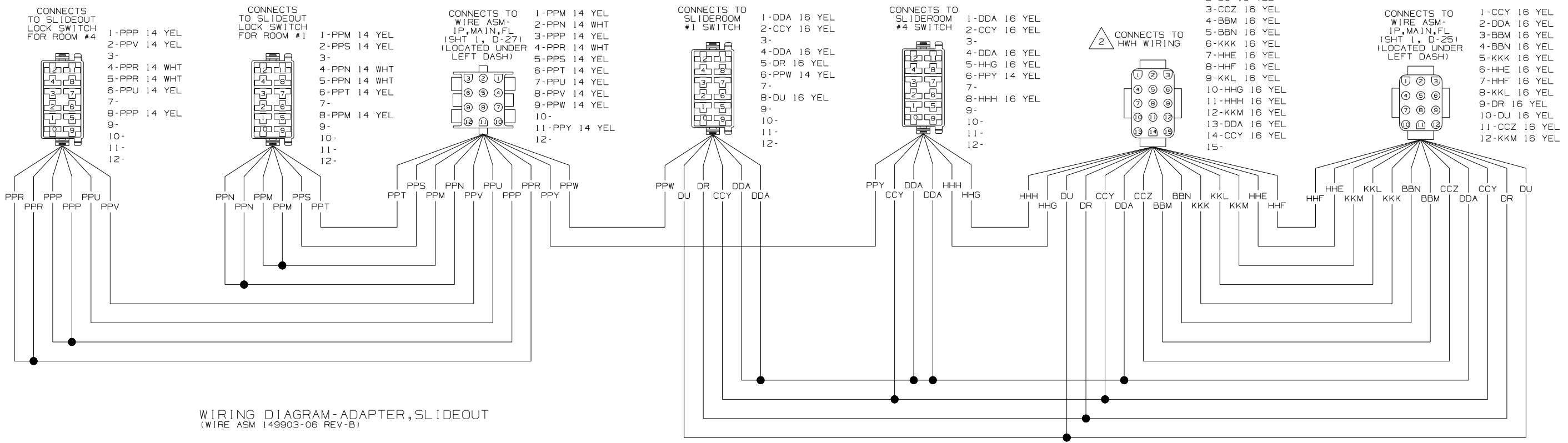
WIRING DIAGRAM-WIPER/WASHER (WIRE ASM 149214-02 REV-F)

SEE MANUFACTURERS DIAGRAM FOR ADDITIONAL INFORMATION.

1. SPLICES ARE THEORETICAL AND MAY DIFFER IN THE HARNESS.

NOTES:

|            |                      |
|------------|----------------------|
| FIRST USED | 06 R&S-SER           |
| TITLE      | DO NOT SCALE DRAWING |
|            | WIRING DIAGRAM-AUTO  |
| SHEET 6    | PART NO 152109       |



WIRING DIAGRAM-ADAPTER, SLIDEOUT  
(WIRE ASM 149903-06 REV-B)

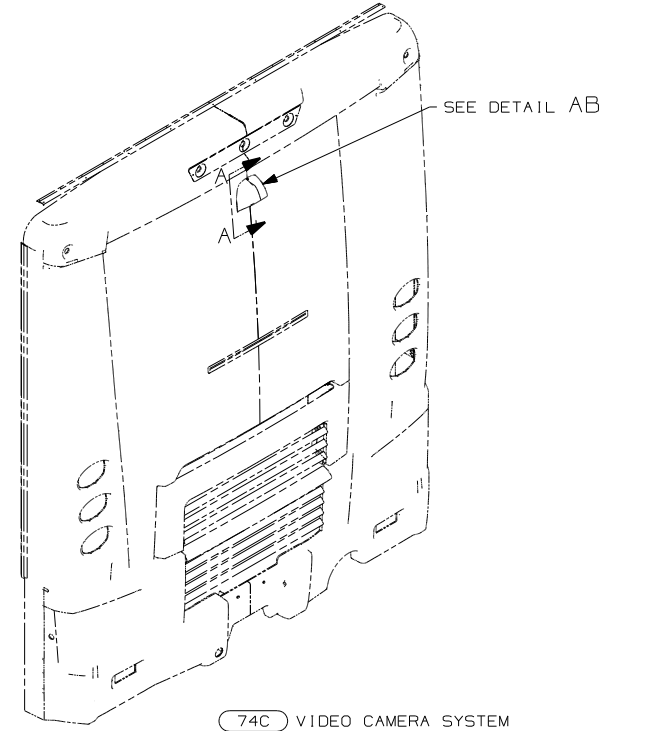
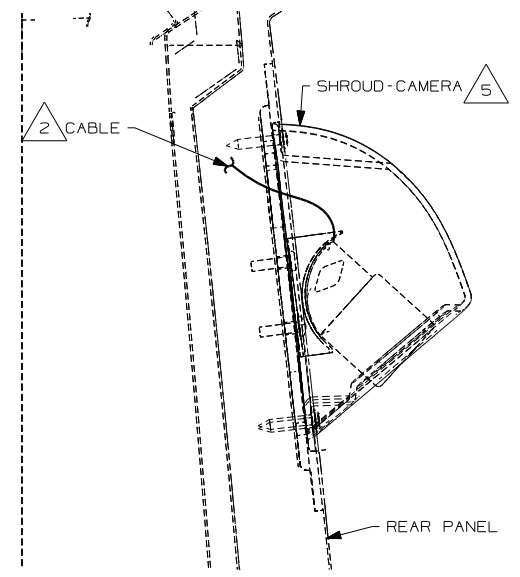
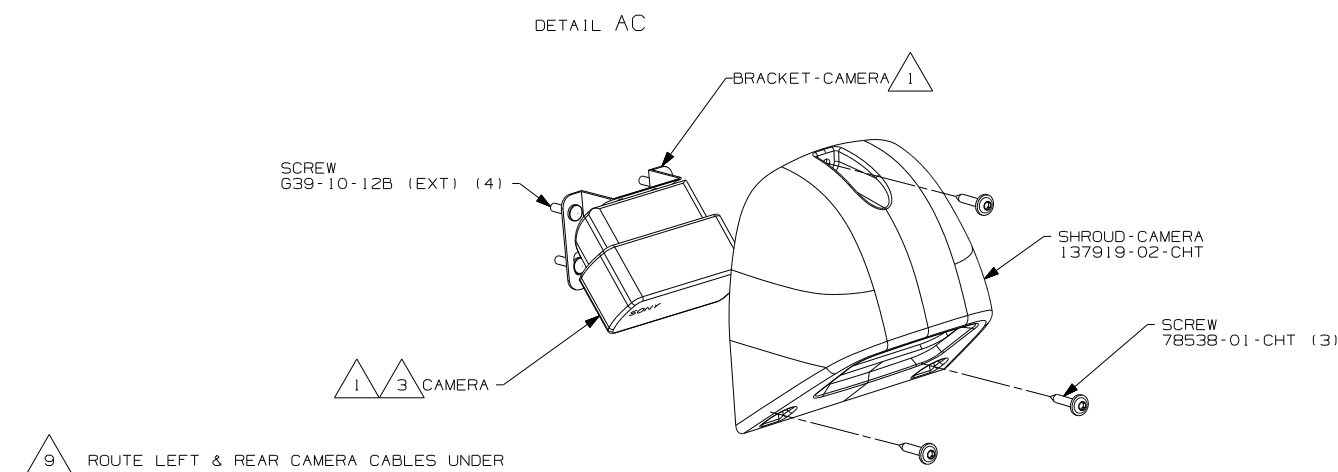
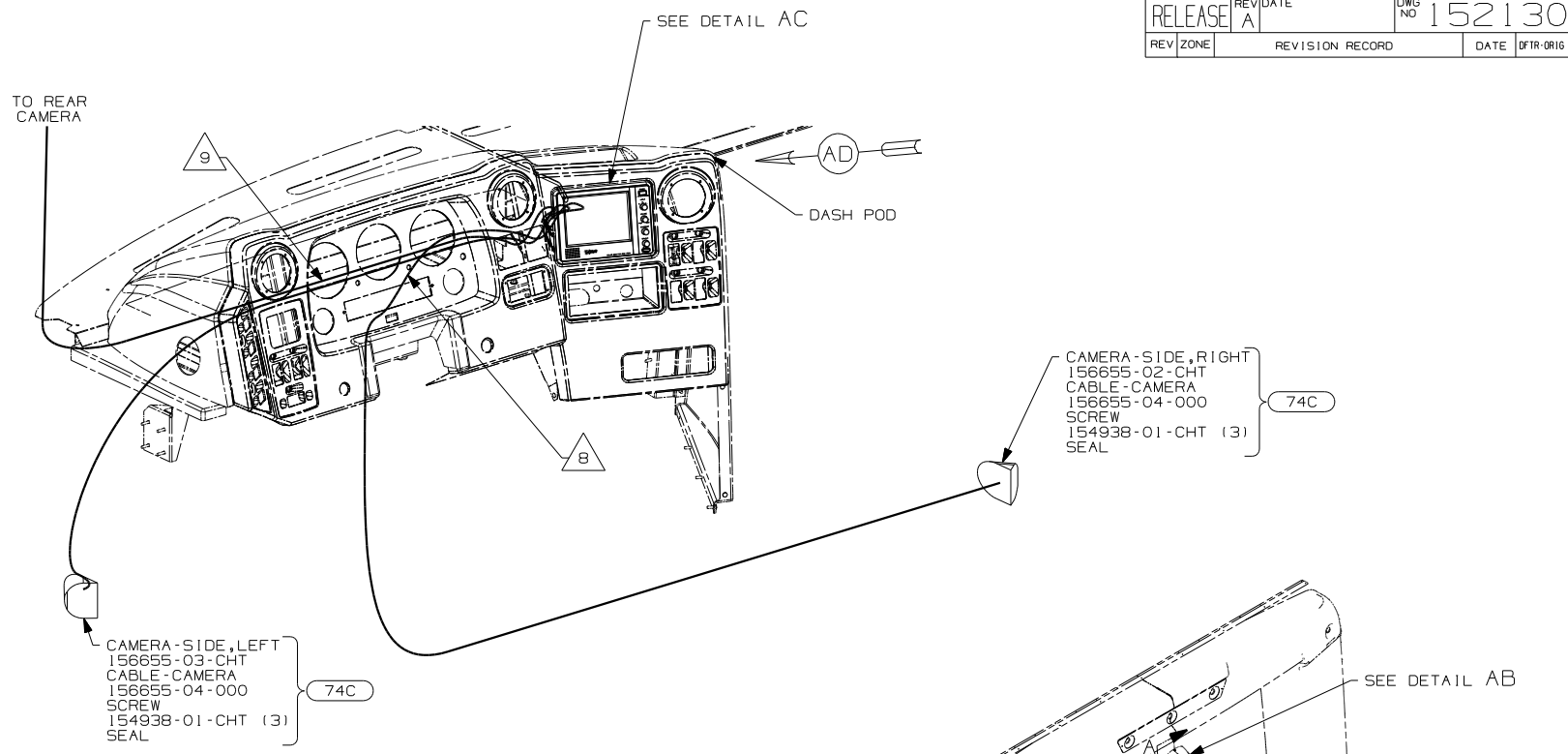
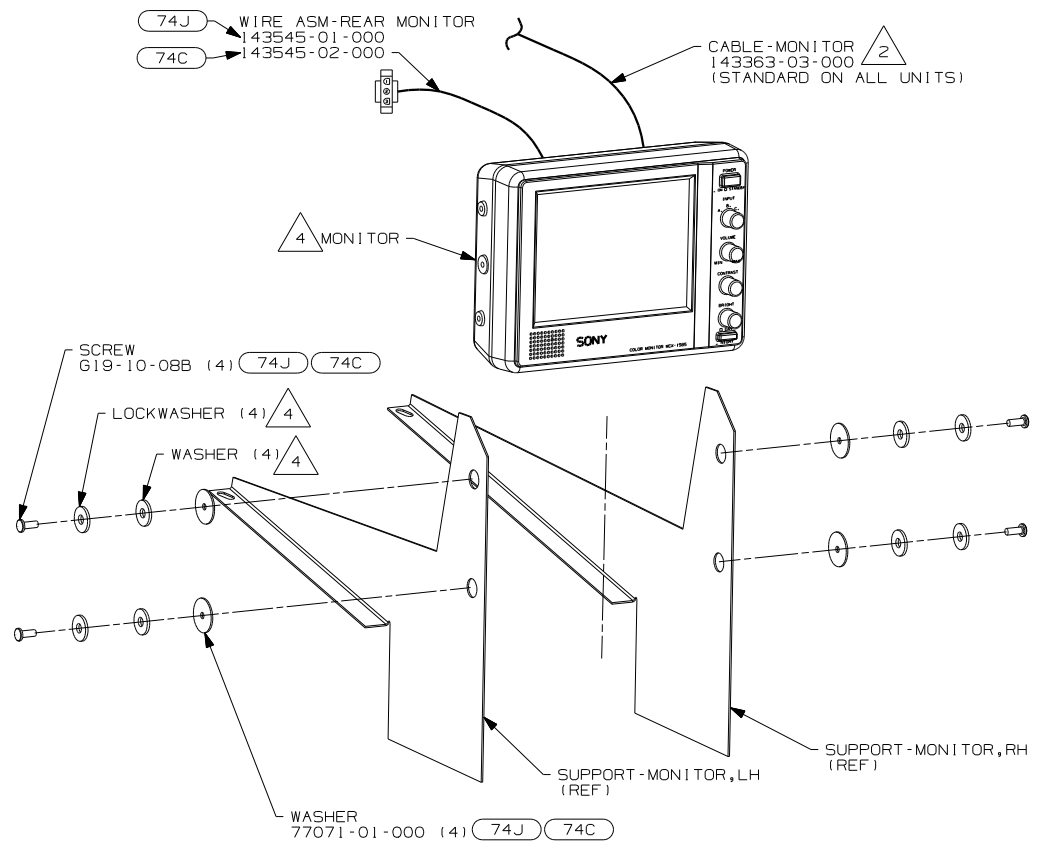
SEE MANUFACTURERS DIAGRAM FOR ADDITIONAL INFORMATION.

1. SPLICES ARE THEORETICAL AND MAY DIFFER IN THE HARNESS.

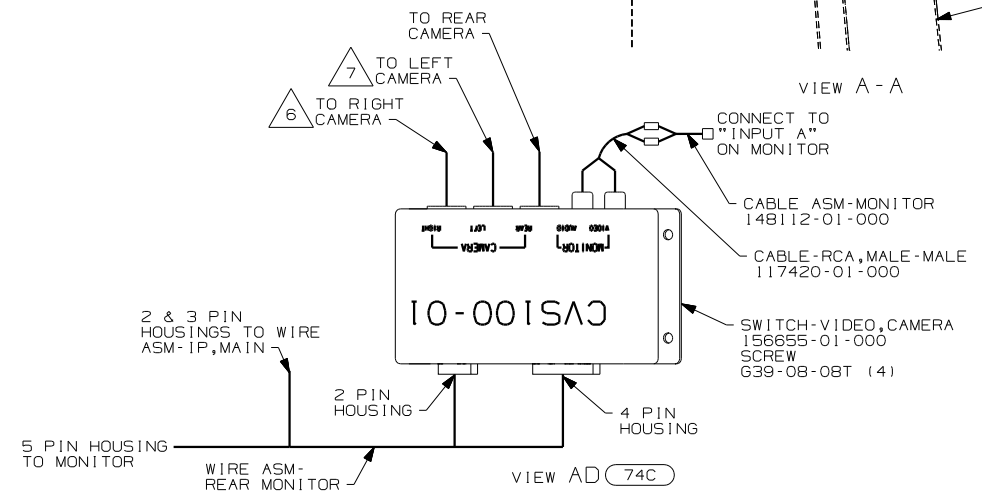
NOTES:

|            |                      |
|------------|----------------------|
| FIRST USED | 06 R&S-SER           |
| TITLE      | DO NOT SCALE DRAWING |
| SHEET 7    | PART NO 152109       |
|            | 1 5/18/2005          |

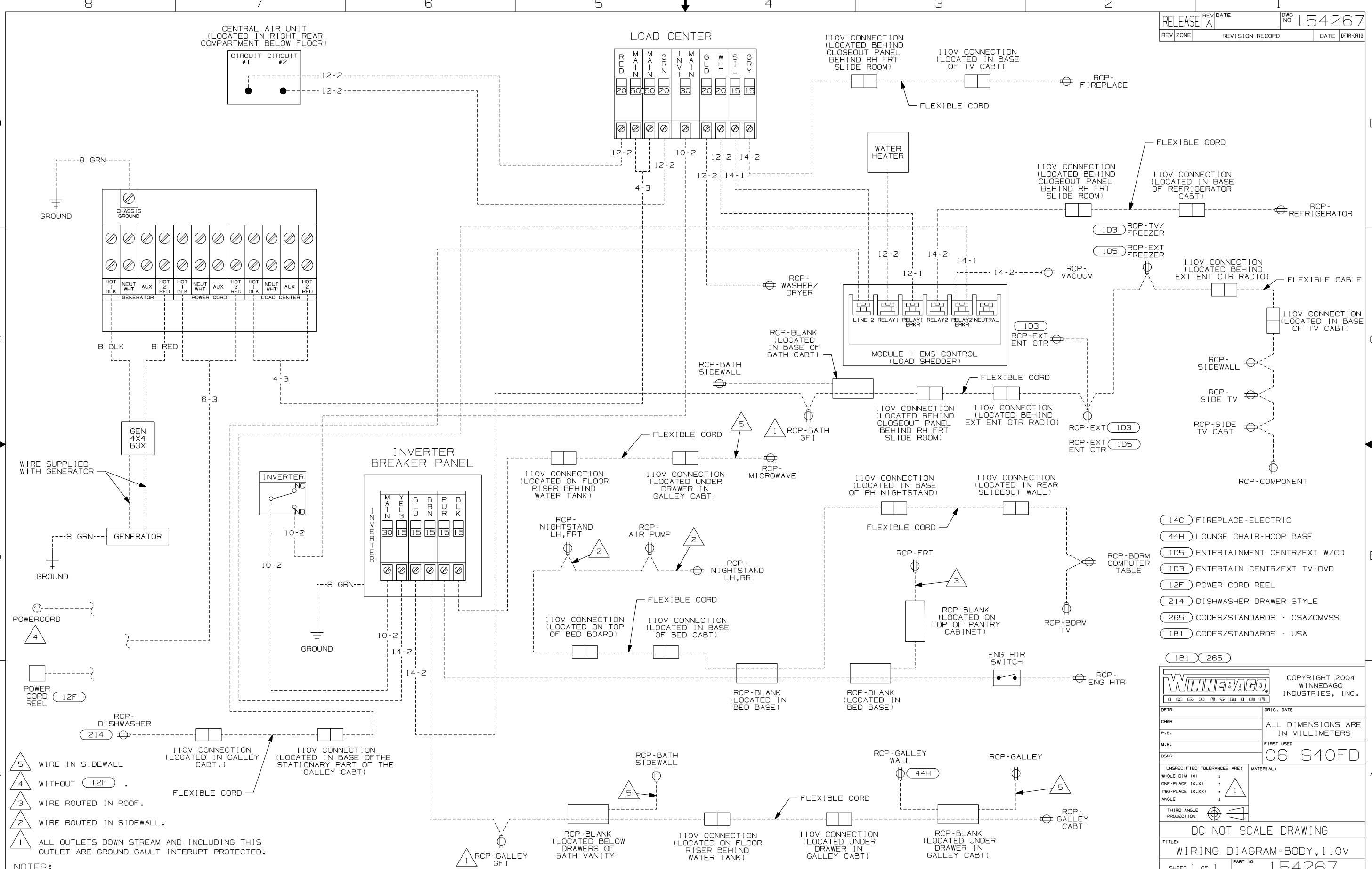




- NOTES:
- 9 ROUTE LEFT & REAR CAMERA CABLES UNDER DASH & TIE TO WIRE ASM-IP,MAIN.
  - 8 ROUTE CABLE TO EXTERIOR THRU HOLE IN PANEL ALONG WITH HEATER WIRING TO RIGHT CAMERA.
  - 7 MARK LEFT CAMERA WITH YELLOW TAPE 900000-07-000 NEXT TO CONNECTOR.
  - 6 MARK RIGHT CABLE WITH WHITE TAPE 900000-08-000 NEXT TO CONNECTOR.
  - 5 SEE PANEL-REAR CAP FOR LOCATION.
  - 4 PARTS SUPPLIED WITH MONITOR P/N: 143363-01-000.
  - 3 ALIGN CAMERA IN CENTER OF SHROUD OPENING AND ADJUST SO BACKWALL IS JUST VISABLE.
  - 2 RUN CABLE THRU LEFT HAND COVE TO FRONT OF UNIT AND DOWN LEFT A-PILLAR TO MONITOR. CONNECT TO "INPUT A" ON MONITOR.
  - 1 PARTS SUPPLIED WITH REAR CAMERA P/N: 143363-05-000.



|                      |             |   |         |
|----------------------|-------------|---|---------|
| <b>WINNEBAGO</b>     |             | COPYRIGHT 2004 WINNEBAGO INDUSTRIES, INC. |         |
| DFTR                 | ORIG. DATE  | ALL DIMENSIONS ARE IN MILLIMETERS         |         |
| CHKR                 |             | FIRST USED                                |         |
| P.E.                 |             | 06 S-SERIES                               |         |
| M.E.                 |             | UNSPECIFIED TOLERANCES ARE:               |         |
| DSNR                 |             | MATERIAL:                                 |         |
|                      |             | WHOLE DIM (X)                             | : ± .1  |
|                      |             | ONE-PLACE (X.X)                           | : ± .05 |
|                      |             | TWO-PLACE (X.XX)                          | : ± .02 |
|                      |             | ANGLE                                     | : ± .5  |
|                      |             | THIRD ANGLE PROJECTION                    | :       |
| DO NOT SCALE DRAWING |             |   |         |
| TITLE: MONITOR INSTL |             |   |         |
| SHEET 1 OF 1         | PART NO     | 152130                                    |         |
| REF:                 | 1 6/28/2005 |   |         |



- NOTES:
- 5 WIRE IN SIDEWALL
  - 4 WITHOUT 12F
  - 3 WIRE ROUTED IN ROOF.
  - 2 WIRE ROUTED IN SIDEWALL.
  - 1 ALL OUTLETS DOWN STREAM AND INCLUDING THIS OUTLET ARE GROUND GAULT INTERRUPT PROTECTED.

- 14C FIREPLACE-ELECTRIC
- 44H LOUNGE CHAIR-HOOP BASE
- 1D5 ENTERTAINMENT CENTR/EXT W/CD
- 1D3 ENTERTAIN CENTR/EXT TV-DVD
- 12F POWER CORD REEL
- 214 DISHWASHER DRAWER STYLE
- 265 CODES/STANDARDS - CSA/CMVSS
- 1B1 CODES/STANDARDS - USA

**WINNEBAGO** COPYRIGHT 2004 WINNEBAGO INDUSTRIES, INC.

|                             |                                   |
|-----------------------------|-----------------------------------|
| DFTR                        | ORIG. DATE                        |
| CHKR                        | ALL DIMENSIONS ARE IN MILLIMETERS |
| P.E.                        |                                   |
| M.E.                        | FIRST USED                        |
| DSNR                        | 06 S40FD                          |
| UNSPECIFIED TOLERANCES ARE: | MATERIAL:                         |
| WHOLE DIM (X)               |                                   |
| ONE-PLACE (X.X)             | 1                                 |
| TWO-PLACE (X.XX)            |                                   |
| ANGLE                       |                                   |
| THIRD ANGLE PROJECTION      |                                   |

**DO NOT SCALE DRAWING**

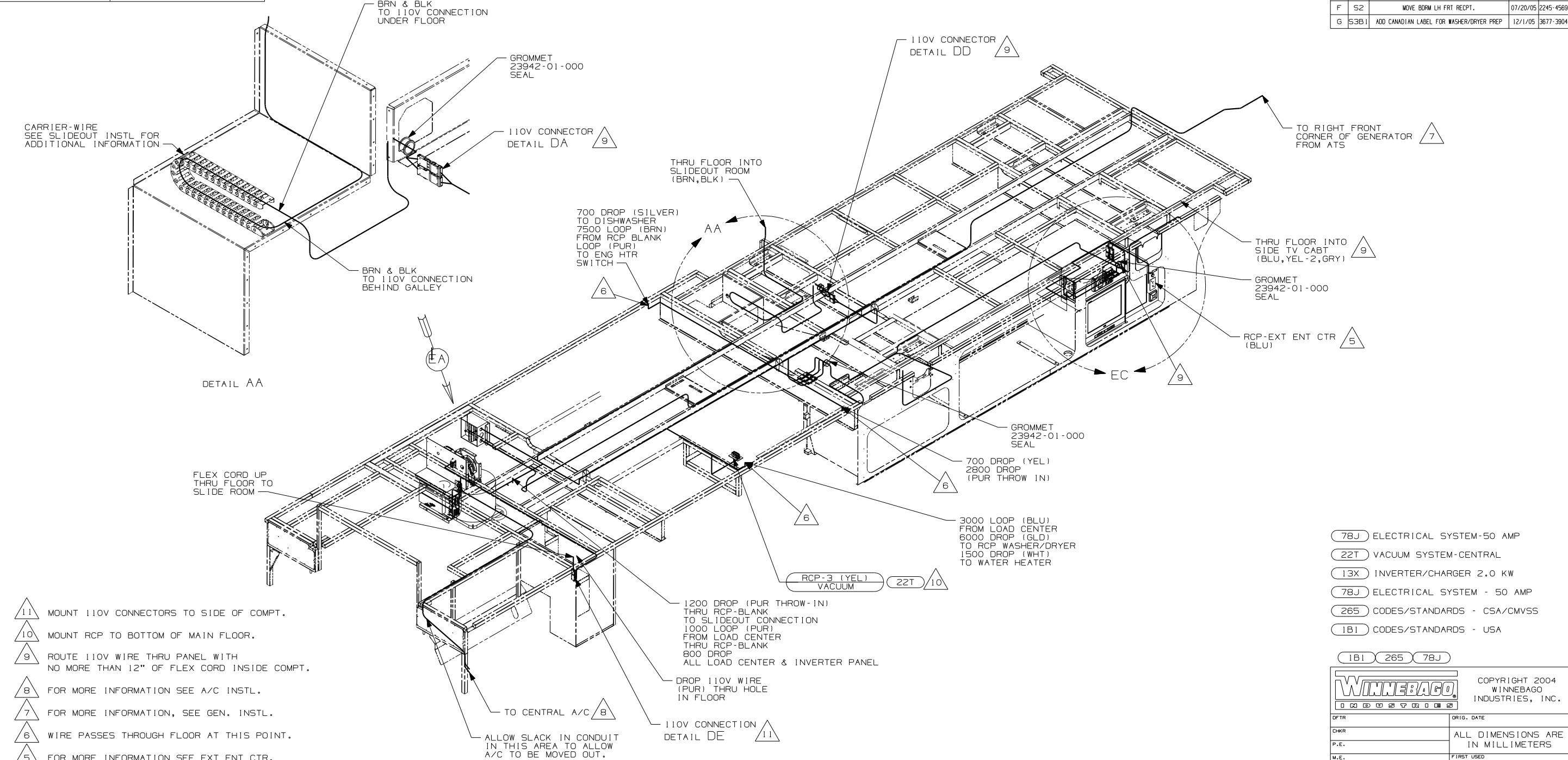
TITLE: WIRING DIAGRAM-BODY, 110V

SHEET 1 OF 1 PART NO 154267

REF: 150776-F | 1/20/2005

| DRAWING NO. | FEATURE           |
|-------------|-------------------|
| 154262-01   | -----             |
| 154262-14   | (1B1) (78J) (13X) |
| 154262-18   | (265) (78J) (13X) |

| REV ZONE | REVISION RECORD   | DATE     | DFTR-ORIG |
|----------|---|----------|-----------|
| B        | S5 REMOVE RCPT CALLOUTS ON DETAILS EC   | 02/08/05 | 1612-4118 |
| C        | S1-4 MULTIPLE CHANGES   | 03/24/05 | 2245-4118 |
| D        | S3 TV 150934-02 WAS -01; BRACKET 150967-03 WAS -01; MOVED BUMPERS ON BACK OF TV | 04/20/05 | 2245-4118 |
| E        | S2 MOVE BDRM LH FRN RCPT.   | 06/16/05 | 1612-2771 |
| F        | S2 MOVE BDRM LH FRN RCPT.   | 07/20/05 | 2245-4569 |
| G        | S3B1 ADD CANADIAN LABEL FOR WASHER/DRYER PREP                                   | 12/1/05  | 3677-3904 |



- ▲11 MOUNT 110V CONNECTORS TO SIDE OF COMPT.
- ▲10 MOUNT RCP TO BOTTOM OF MAIN FLOOR.
- ▲9 ROUTE 110V WIRE THRU PANEL WITH NO MORE THAN 12" OF FLEX CORD INSIDE COMPT.
- ▲8 FOR MORE INFORMATION SEE A/C INSTL.
- ▲7 FOR MORE INFORMATION, SEE GEN. INSTL.
- ▲6 WIRE PASSES THROUGH FLOOR AT THIS POINT.
- ▲5 FOR MORE INFORMATION SEE EXT ENT CTR.

4. FOR MORE INFORMATION SEE WIRING DIAGRAM-BODY,110V.
3. ALL GROUND WIRE TO BE COVERED WITH TUBING 8041-02-000.
2. ALL 110V WIRE TO BE CLAMPED WITH CLAMP 10497-05-000 WITHIN 200MM OF OUTLET BOXES, USE SCREW G67-10-12B.
1. ALL WIRES TO BE SECURED WITH CLAMP 10495 OR 10497 OR WIRE TIE 8343 OR 108046 EVERY 600MM, USE SCREW G67-XX-XXX OR G56-XX-XXX AS APPROPRIATE FOR INSTALLATION.

NOTES:

- (78J) ELECTRICAL SYSTEM-50 AMP
- (22T) VACUUM SYSTEM-CENTRAL
- (13X) INVERTER/CHARGER 2.0 KW
- (78J) ELECTRICAL SYSTEM - 50 AMP
- (265) CODES/STANDARDS - CSA/CMVSS
- (1B1) CODES/STANDARDS - USA

(1B1) (265) (78J)

**WINNEBAGO** COPYRIGHT 2004 WINNEBAGO INDUSTRIES, INC.

|      |                                   |
|------|-----------------------------------|
| DFTR | ORIG. DATE                        |
| CHKR | ALL DIMENSIONS ARE IN MILLIMETERS |
| P.E. |                                   |
| M.E. | FIRST USED                        |
| DSNR | 06 S40FD                          |

UNSPECIFIED TOLERANCES ARE: MATERIAL:

WHOLE DIM (X) :  
ONE-PLACE (X.X) :  
TWO-PLACE (X.XX) :  
ANGLE :

THIRD ANGLE PROJECTION

DO NOT SCALE DRAWING

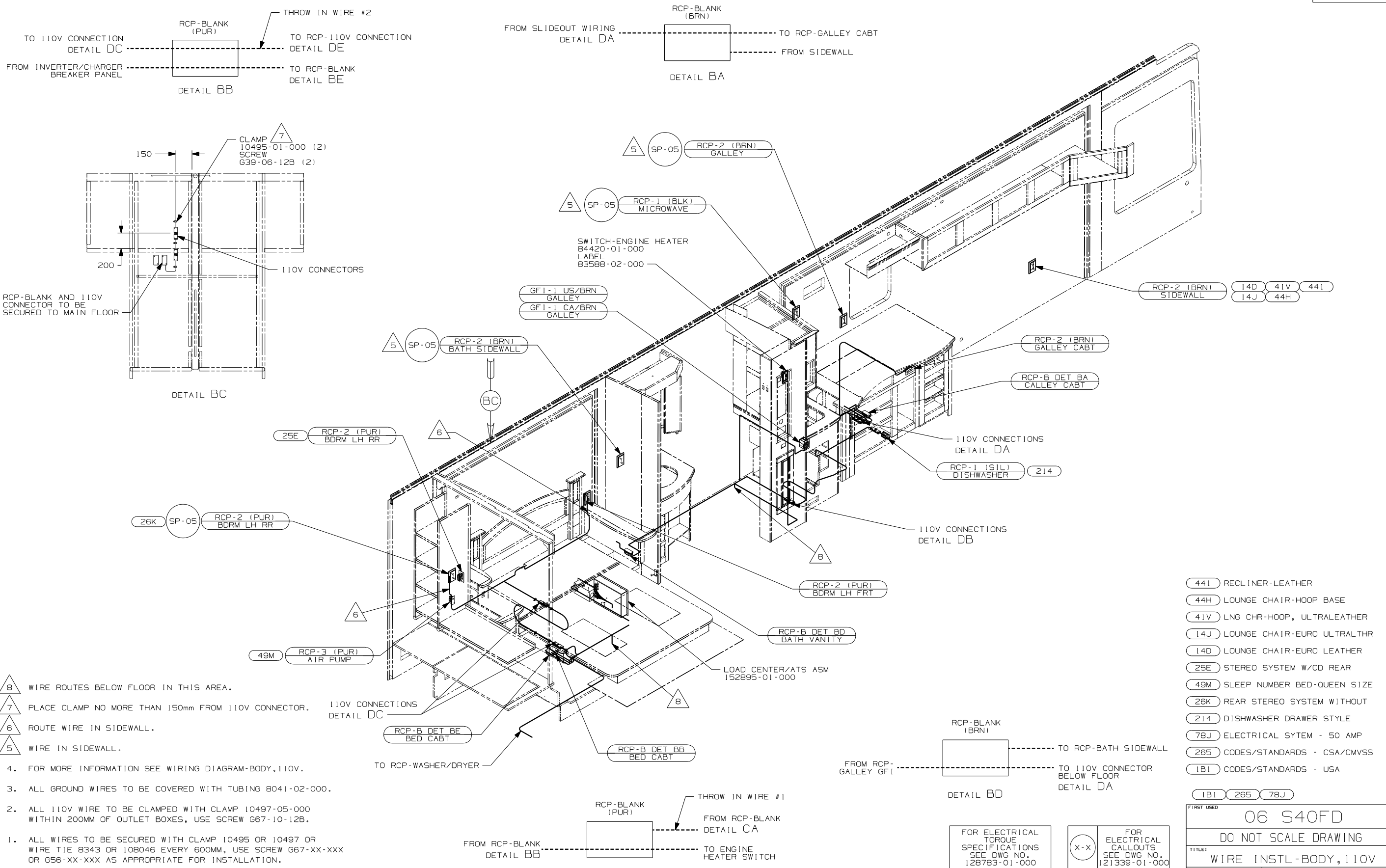
TITLE: WIRE INSTL-BODY,110V

SHEET 1 OF 5 PART NO 154262

REF: 1 12/2/005

FOR ELECTRICAL TORQUE SPECIFICATIONS SEE DWG NO. 128783-01-000

(X-X) FOR ELECTRICAL CALLOUTS SEE DWG NO. 121339-01-000



- △ 8 WIRE ROUTES BELOW FLOOR IN THIS AREA.
- △ 7 PLACE CLAMP NO MORE THAN 150mm FROM 110V CONNECTOR.
- △ 6 ROUTE WIRE IN SIDEWALL.
- △ 5 WIRE IN SIDEWALL.

4. FOR MORE INFORMATION SEE WIRING DIAGRAM-BODY,110V.
3. ALL GROUND WIRES TO BE COVERED WITH TUBING 8041-02-000.
2. ALL 110V WIRE TO BE CLAMPED WITH CLAMP 10497-05-000 WITHIN 200MM OF OUTLET BOXES, USE SCREW G67-10-12B.
1. ALL WIRES TO BE SECURED WITH CLAMP 10495 OR 10497 OR WIRE TIE 8343 OR 108046 EVERY 600MM, USE SCREW G67-XX-XXX OR G56-XX-XXX AS APPROPRIATE FOR INSTALLATION.

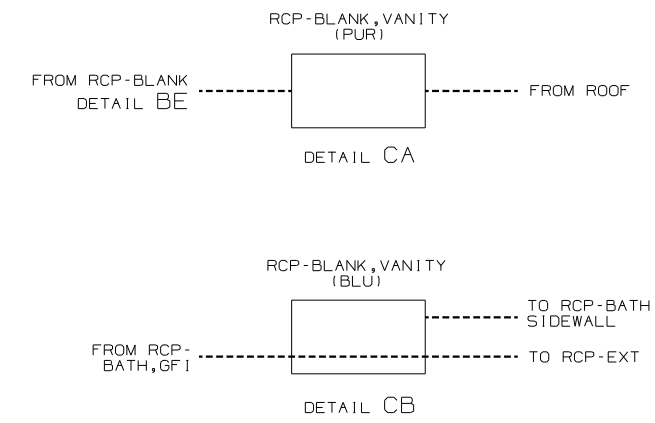
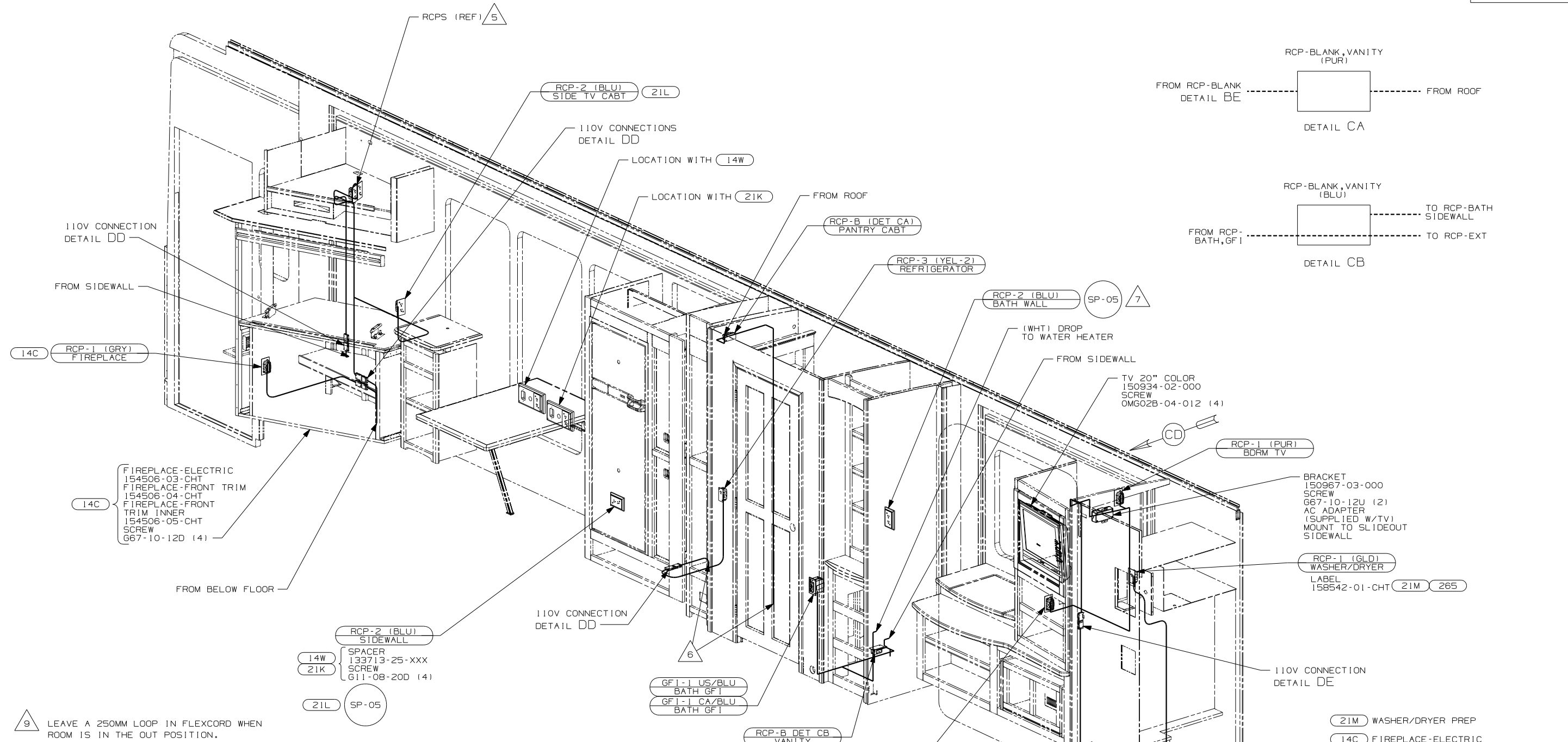
NOTES:

- 441 RECLINER-LEATHER
- 44H LOUNGE CHAIR-HOOP BASE
- 41V LNG CHR-HOOP, ULTRALEATHER
- 14J LOUNGE CHAIR-EURO ULTRALTHR
- 14D LOUNGE CHAIR-EURO LEATHER
- 25E STEREO SYSTEM W/CD REAR
- 49M SLEEP NUMBER BED-QUEEN SIZE
- 26K REAR STEREO SYSTEM WITHOUT
- 214 DISHWASHER DRAWER STYLE
- 78J ELECTRICAL SYTEM - 50 AMP
- 265 CODES/STANDARDS - CSA/CMVSS
- 1B1 CODES/STANDARDS - USA

|                      |         |
|----------------------|---------|
| FIRST USED           |         |
| 06 S40FD             |         |
| DO NOT SCALE DRAWING |         |
| TITLE:               |         |
| WIRE INSTL-BODY,110V |         |
| SHEET 2              | PART NO |
|                      | 154262  |

FOR ELECTRICAL TORQUE SPECIFICATIONS SEE DWG NO. 128783-01-000

FOR ELECTRICAL CALLOUTS SEE DWG NO. 121339-01-000



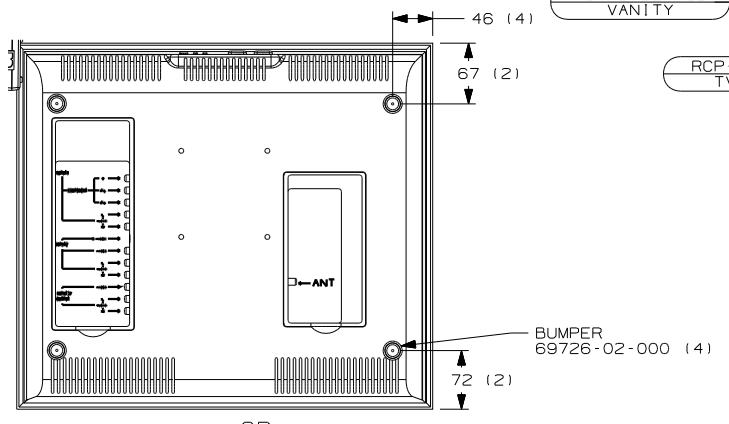
- 154506-03-CHT FIREPLACE-ELECTRIC
- 154506-04-CHT FIREPLACE-FRONT TRIM
- 154506-05-CHT TRIM INNER
- 667-10-12D (4) SCREW

- RCP-2 (BLU) SIDEWALL
- 14W SPACER 133713-25-XXX
- 21K SCREW G11-08-20D (4)
- 21L SP-05

- GF1-1 US/BLU BATH GF1
- GF1-1 CA/BLU BATH GF1

- BRACKET 150967-03-000
- SCREW 667-10-12U (2)
- AC ADAPTER (SUPPLIED W/TV)
- MOUNT TO SLIDEOUT SIDEWALL
- RCP-1 (GLD) WASHER/DRYER
- LABEL 158542-01-CHT 21M 265

- 9 LEAVE A 250MM LOOP IN FLEXCORD WHEN ROOM IS IN THE OUT POSITION.
- 8 PLACE CLAMP 150MM FROM REAR EDGE OF SLIDEOUT ROOM AND 25mm IN FROM FACE.
- 7 WIRE IN SIDEWALL.
- 6 WIRE ROUTED BELOW FLOOR IN THIS AREA.
- 5 FOR MORE INFORMATION SEE WIRING INSTL-TV/VCR SIDE
4. FOR MORE INFORMATION SEE WIRING DIAGRAM-BODY,110V.
3. ALL GROUND WIRES TO BE COVERED WITH TUBING 8041-02-000.
2. ALL 110V WIRE TO BE CLAMPED WITH CLAMP 10497-05-000 WITHIN 200MM OF OUTLET BOXES, USE SCREW 667-10-12B.
1. ALL WIRES TO BE SECURED WITH CLAMP 10495 OR 10497 OR WIRE TIE 8343 OR 108046 EVERY 600MM, USE SCREW 667-XX-XXX OR G56-XX-XXX AS APPROPRIATE FOR INSTALLATION.

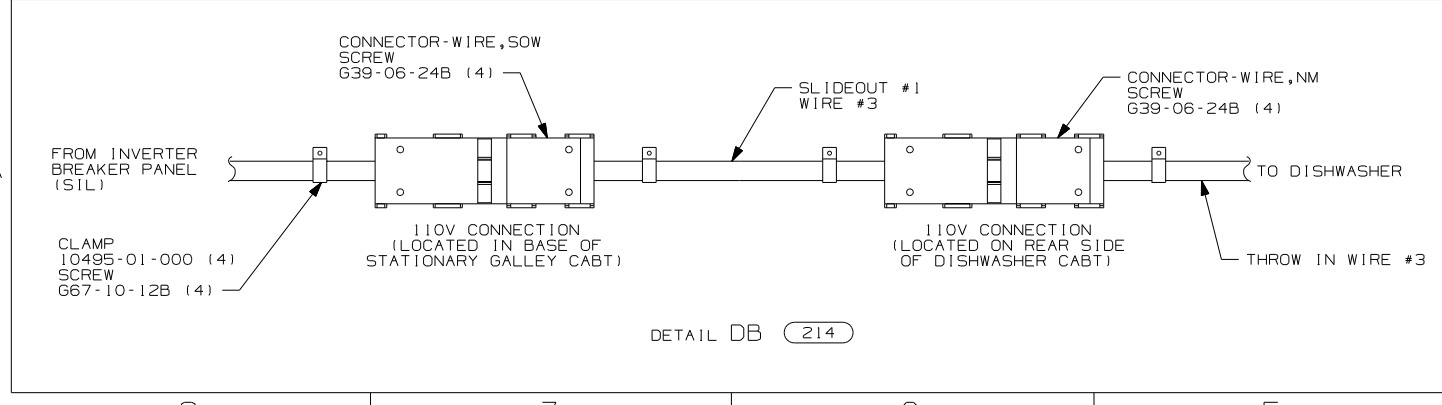
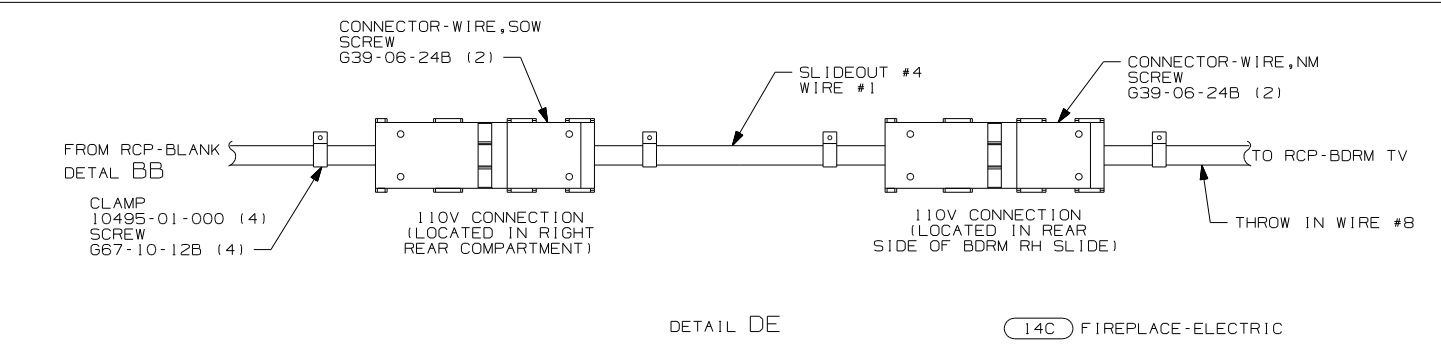
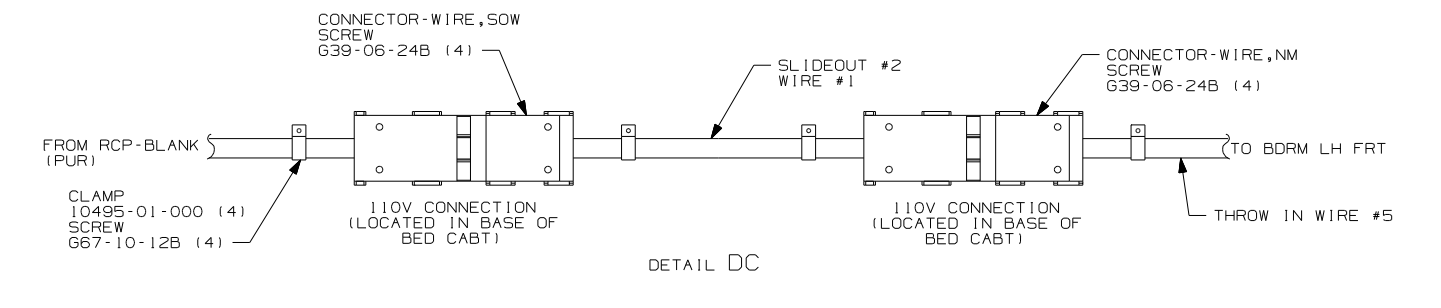
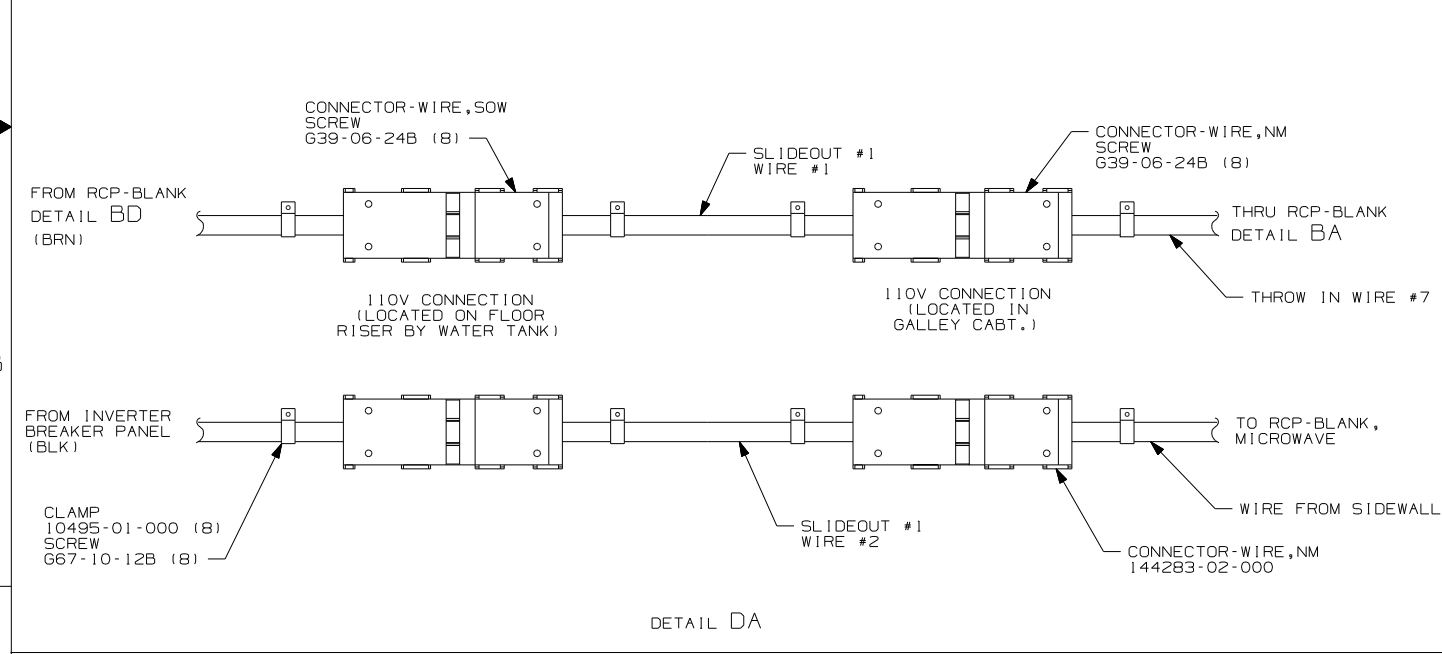
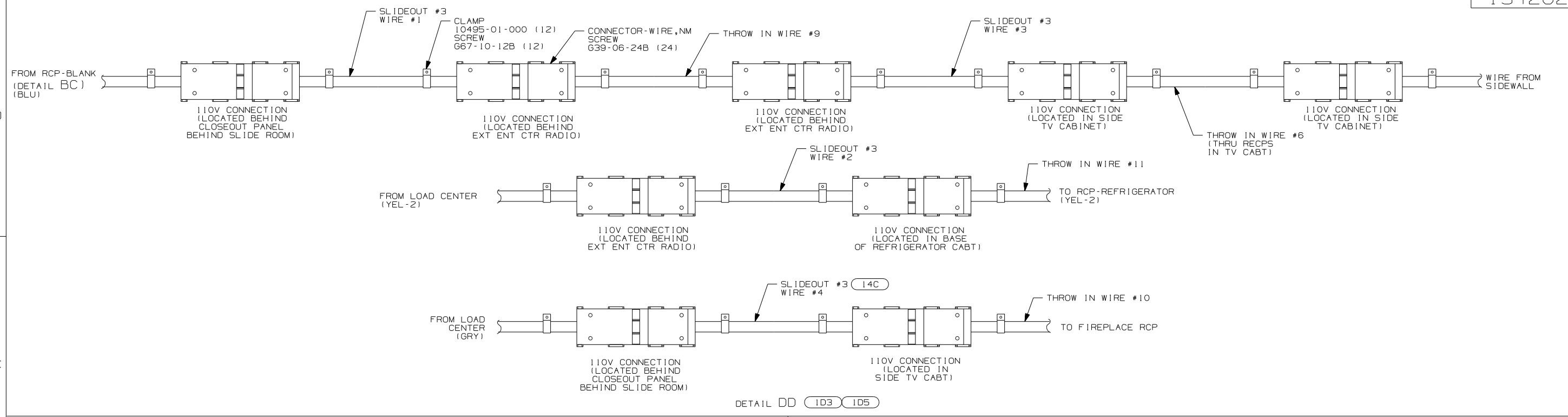


- 21M WASHER/DRYER PREP
- 14C FIREPLACE-ELECTRIC
- 14W DINETTE
- 21L DINING TABLE/CHAIRS
- 21K DINING/COMPUTER TABLE/CHAIRS
- 78J ELECTRICAL SYTEM - 50 AMP
- 265 CODES/STANDARDS - CSA/CMVSS
- 1B1 CODES/STANDARDS - USA

FOR ELECTRICAL TORQUE SPECIFICATIONS SEE DWG NO. 128783-01-000

FOR ELECTRICAL CALLOUTS SEE DWG NO. 121339-01-000

|            |                      |
|------------|----------------------|
| FIRST USED | 06 S40FD             |
| TITLE:     | DO NOT SCALE DRAWING |
|            | WIRE INSTL-BODY,110V |
| SHEET 3    | PART NO 154262       |

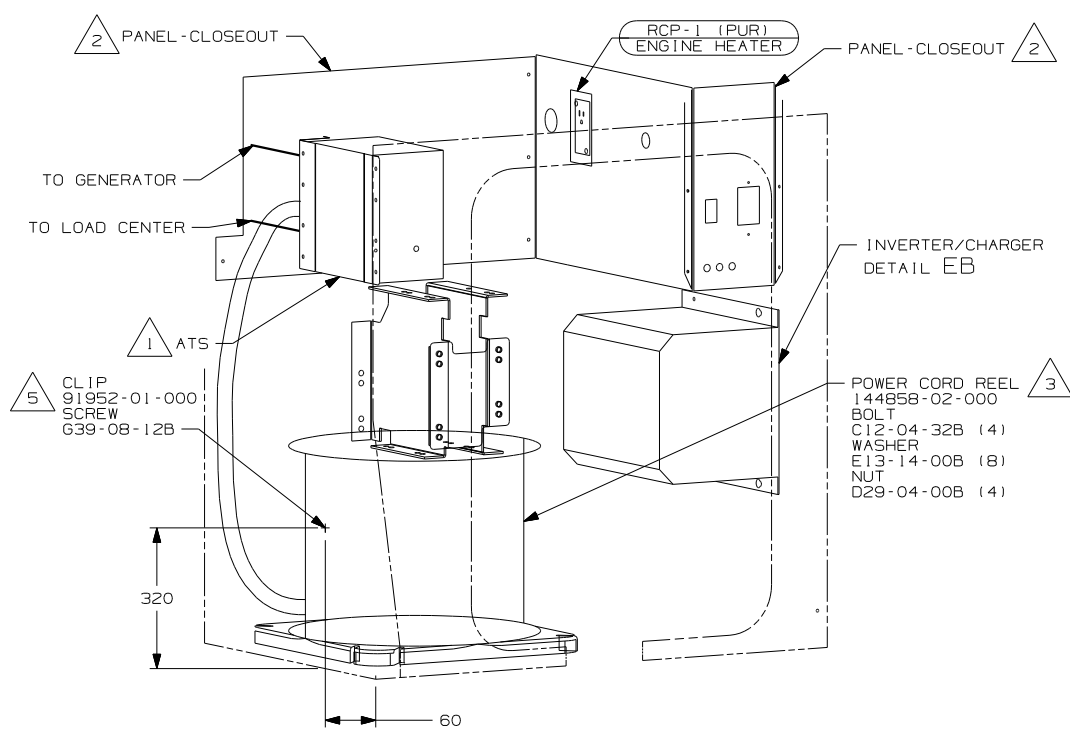


- (14C) FIREPLACE-ELECTRIC
- (214) DISHWASHER DRAWER STYLE
- (105) ENTERTAINMENT CENTR/EXT W/CD
- (103) ENTERTAIN CENTR/EXT TV-DVD
- (265) CODES/STANDARDS-CSA/CMVSS
- (1B1) CODES/STANDARDS USA

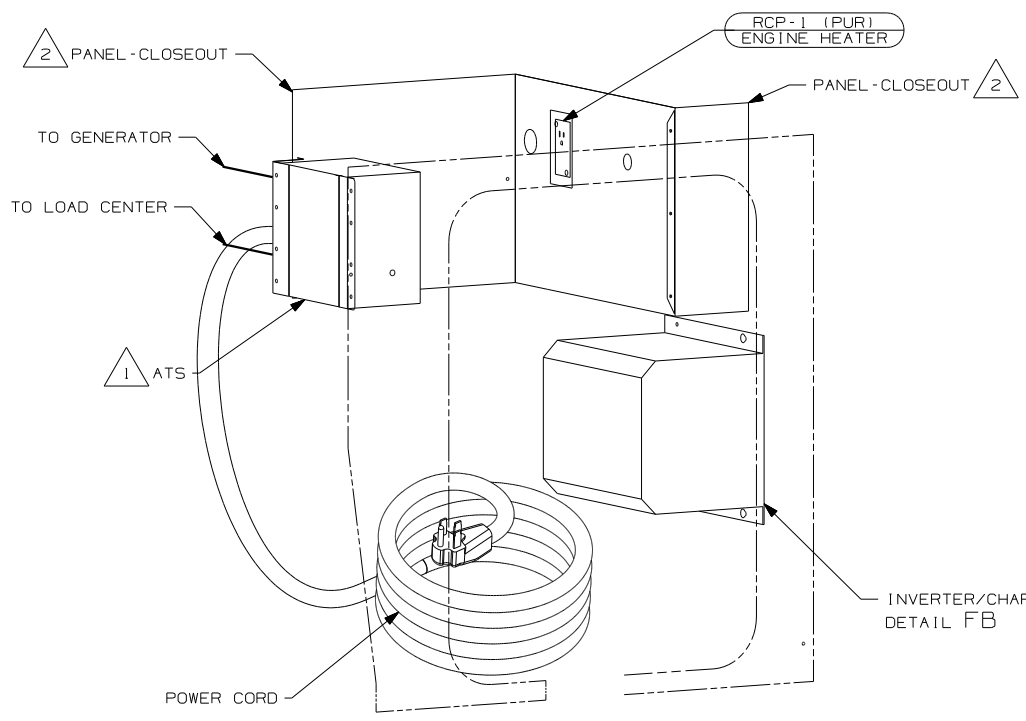
|            |                       |
|------------|-----------------------|
| FIRST USED | 06 S40FD              |
| TITLE      | DO NOT SCALE DRAWING  |
|            | WIRE INSTL-BODY, 110V |
| SHEET 4    | PART NO 154262        |

FOR ELECTRICAL TORQUE SPECIFICATIONS SEE DWG NO. 128783-01-000

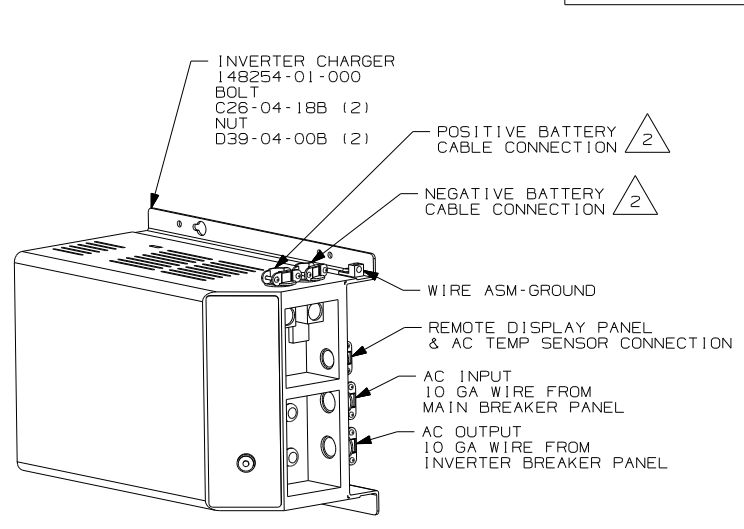
(X-X) FOR ELECTRICAL CALLOUTS SEE DWG NO. 121339-01-000



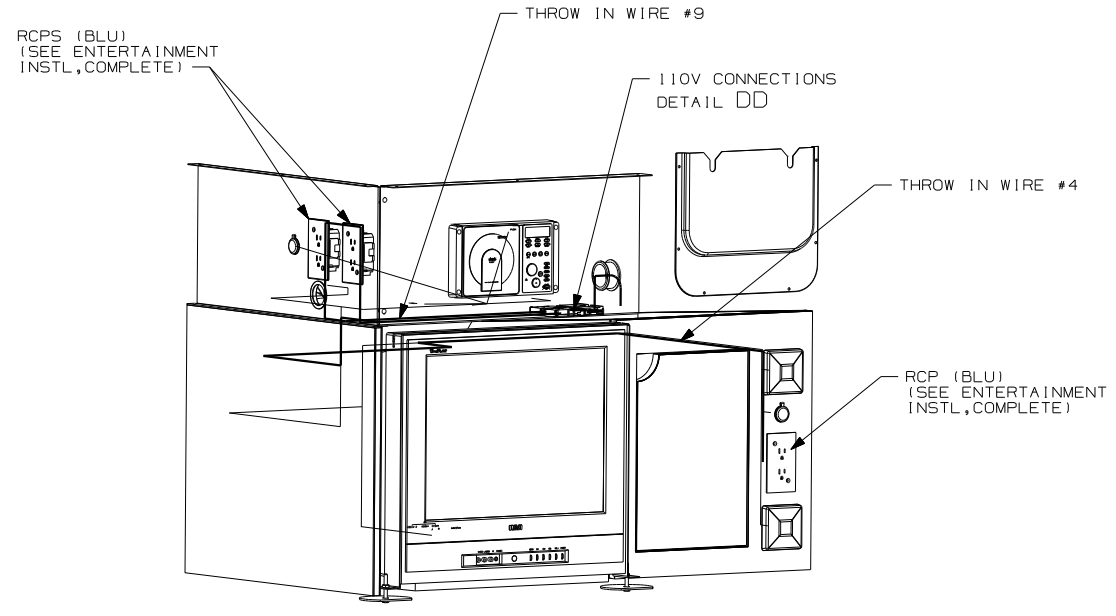
VIEW EA 12F



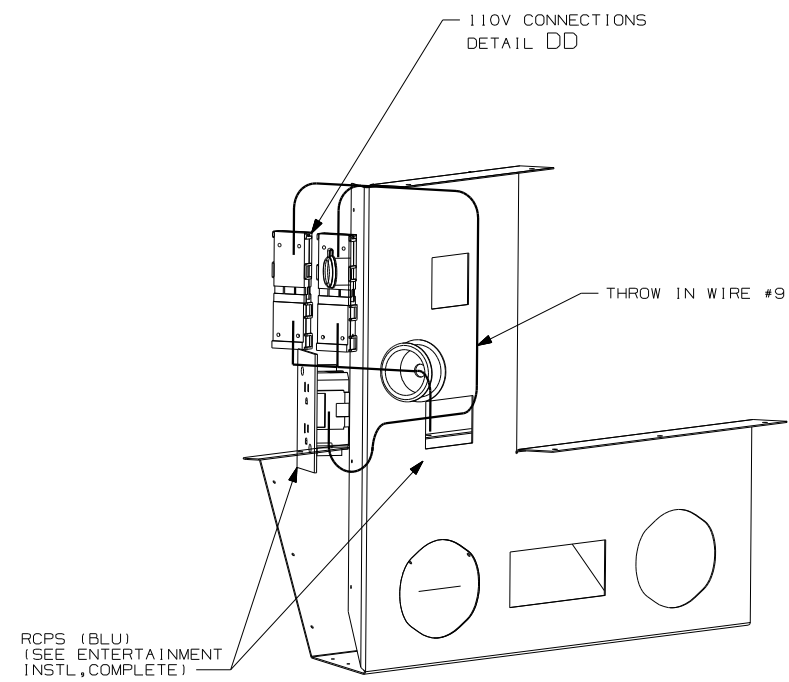
VIEW EA 12G



DETAIL EB



DETAIL EC 1D3



DETAIL EC 1D5

- 12G POWER CORD REEL - WITHOUT
- 12F POWER CORD REEL
- 1D5 ENTERTAINMENT CENTR/EXT W/CD
- 1D3 ENTERTAIN CENTR/EXT TV-DVD
- 265 CODES/STANDARDS-CSA/CMVSS
- 1B1 CODES/STANDARDS USA

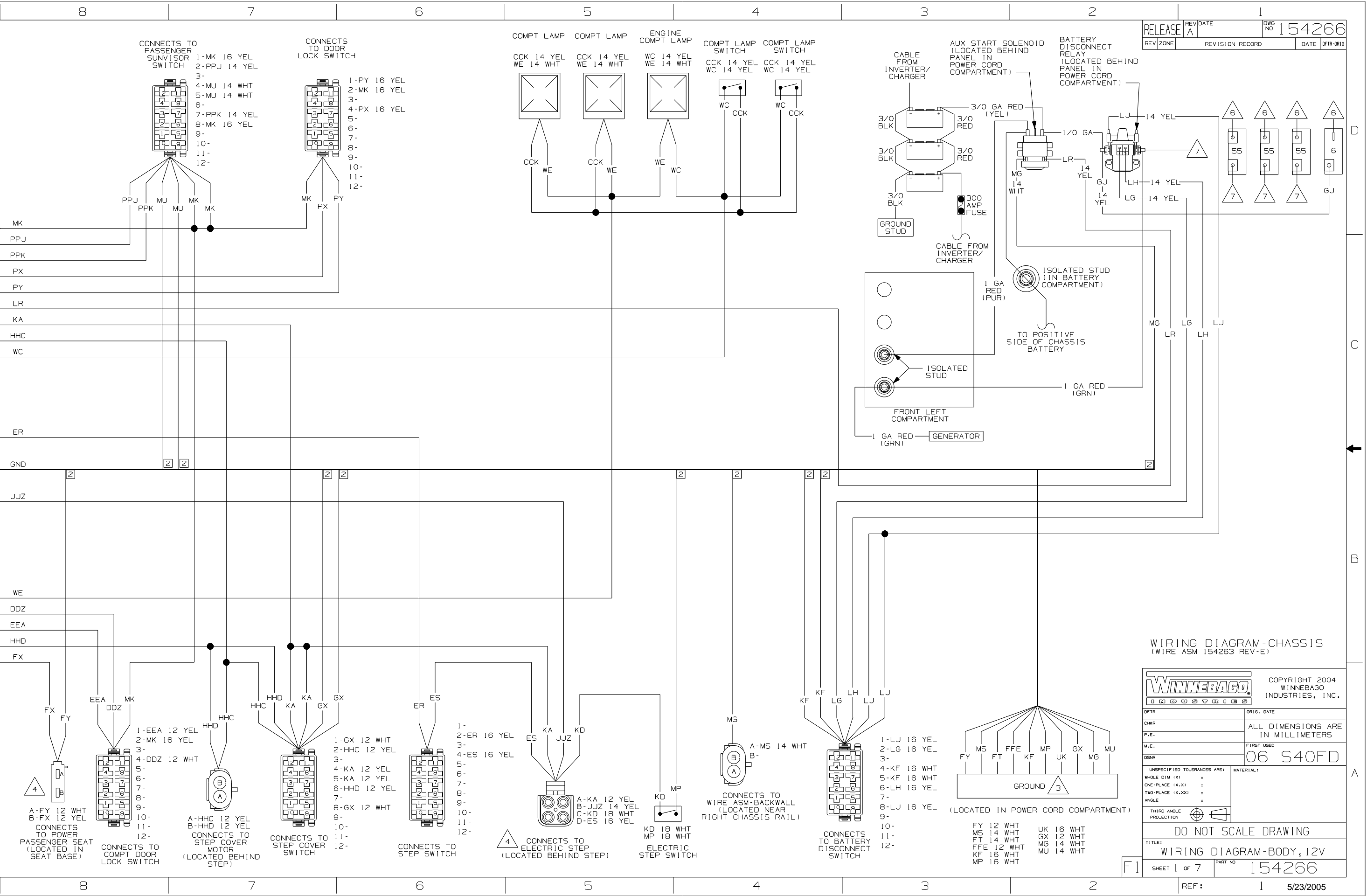
- 5 FASTEN CLIP TO INSIDE LEFT COMPARTMENT WALL.
- 4 PLUG POWER CORD REEL MOUNTING HOLES WITH PLUG-PLASTIC 81211-01-000 (4).
- 3 INSERT BOLT FROM BOTTOM OF COMPT.
- 2 SEE WIRING INSTL-CHASSIS FOR ADDITIONAL INFORMATION.
- 1 SEE LOAD CENTER/ATS ASM FOR ADDITIONAL INFORMATION.

NOTES:

FOR ELECTRICAL TORQUE SPECIFICATIONS SEE DWG NO. 128783-01-000

FOR ELECTRICAL CALLOUTS SEE DWG NO. 121339-01-000

|                       |                |
|-----------------------|----------------|
| FIRST USED            |                |
| 06 S40FD              |                |
| DO NOT SCALE DRAWING  |                |
| TITLE:                |                |
| WIRE INSTL-BODY, 110V |                |
| SHEET 5               | PART NO 154262 |



WIRING DIAGRAM-CHASSIS  
 (WIRE ASM 154263 REV-E)

**WINNEBAGO** COPYRIGHT 2004 WINNEBAGO INDUSTRIES, INC.

|      |                                   |
|------|-----------------------------------|
| DFTR | ORIG. DATE                        |
| CHRR | ALL DIMENSIONS ARE IN MILLIMETERS |
| P.E. |                                   |
| M.E. | FIRST USED                        |
| DSNR | 06 S40FD                          |

UNSPECIFIED TOLERANCES ARE: MATERIAL:

WHOLE DIM (XX) :  
 ONE-PLACE (X.X) :  
 TWO-PLACE (X.XX) :  
 ANGLE :

THIRD ANGLE PROJECTION

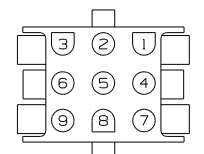
**DO NOT SCALE DRAWING**

TITLE: **WIRING DIAGRAM-BODY, 12V**

SHEET 1 OF 7 PART NO 154266

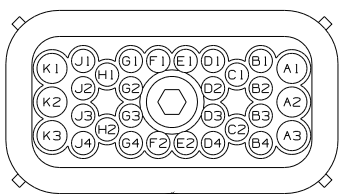


CONNECTS TO WIRE ASM-COACH (SHT 2, D-11) (LOCATED IN BASE OF BED CABINET)



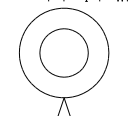
- 1-FFW 14 YEL
- 2-FFX 14 YEL
- 3-MM 14 YEL
- 4-ER 16 YEL
- 5-JT 16 YEL
- 6-LL 16 WHT
- 7-LM 16 WHT
- 8-LN 16 WHT
- 9-LP 16 YEL

CONNECTS TO WIRE ASM-IP MAIN (LOCATED ON FRONT LEFT COMPT)

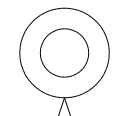


- A1-
- A2-HHC 12 YEL
- A3-FS 14 YEL
- B1-BBM 16 YEL
- B2-BBN 16 YEL
- B3-CCY 16 YEL
- B4-KKK 16 YEL
- C1-DDA 16 YEL
- C2-PPJ 14 YEL
- D1-LL 16 WHT
- D2-LM 16 WHT
- D3-LN 16 WHT
- D4-HU 16 YEL
- E1-MM 14 YEL
- E2-WC 16 YEL
- F1-MK 16 YEL
- F2-LR 14 YEL
- G1-PPW 14 YEL
- G2-
- G3-PPY 16 YEL
- G4-
- H1-PPK 14 YEL
- H2-PX 16 YEL
- J1-PJ 16 YEL
- J2-JJZ 14 YEL
- J3-ER 16 YEL
- J4-PY 16 YEL
- K1-FFD 12 YEL
- K2-KA 12 YEL
- K3-

LEFT SIDE DOCKING LAMP

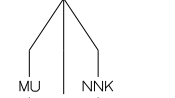


RIGHT SIDE DOCKING LAMP



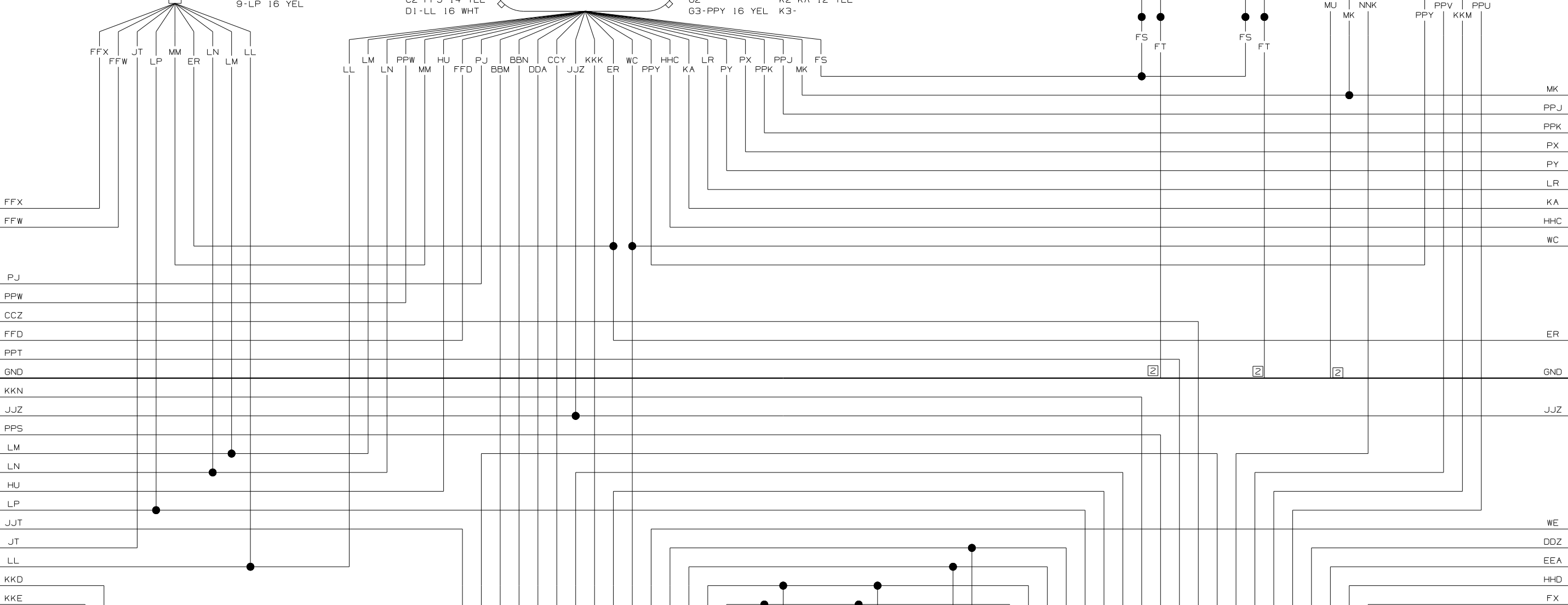
CONNECTS TO KEYLESS ENTRY TOUCH PAD

- 1-MK 16 YEL
- 2-MU 16 WHT
- 3-NNK 16 YEL
- 4-



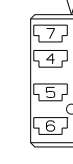
CONNECTS TO WIRE ASM-COACH (SHT 2, D-30) (LOCATED IN BED BASE)

- 1-PPU 14 YEL
- 2-PPV 14 YEL
- 3-PPY 14 YEL
- 4-KKM 16 YEL



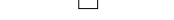
- 1-
- 2-KKD 16 YEL
- 3-KKE 16 YEL
- 4-
- 5-
- 6-
- 7-
- 8-

CONNECTS TO LP VALVE SWITCH

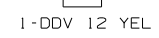


- 1-BBM 16 YEL
- 2-BBN 16 YEL
- 3-DDA 16 YEL
- 4-CCY 16 YEL
- 5-KKK 16 YEL
- 6-HHE 16 YEL
- 7-HHF 16 YEL
- 8-KKL 16 YEL
- 9-WC 16 YEL
- 10-WE 14 WHT
- 11-DDT 12 YEL
- 12-DDU 12 WHT
- 13-DDV 12 YEL
- 14-DDW 12 WHT
- 15-JJT 14 YEL

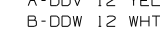
CONNECTS TO WIRE ASM-COACH (SHT 2, A-17) (LOCATED IN BED BASE)



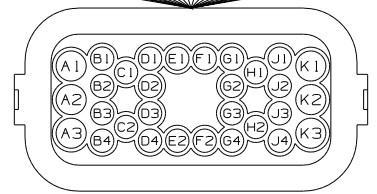
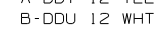
CONNECTS TO WIRE ASM-LOCK, COMPT DOORS (SHT 5, A-4) (LOCATED ON COMPT DOOR)



CONNECTS TO WIRE ASM-LOCK, COMPT DOORS (SHT 5, A-6) (LOCATED ON COMPT DOOR)

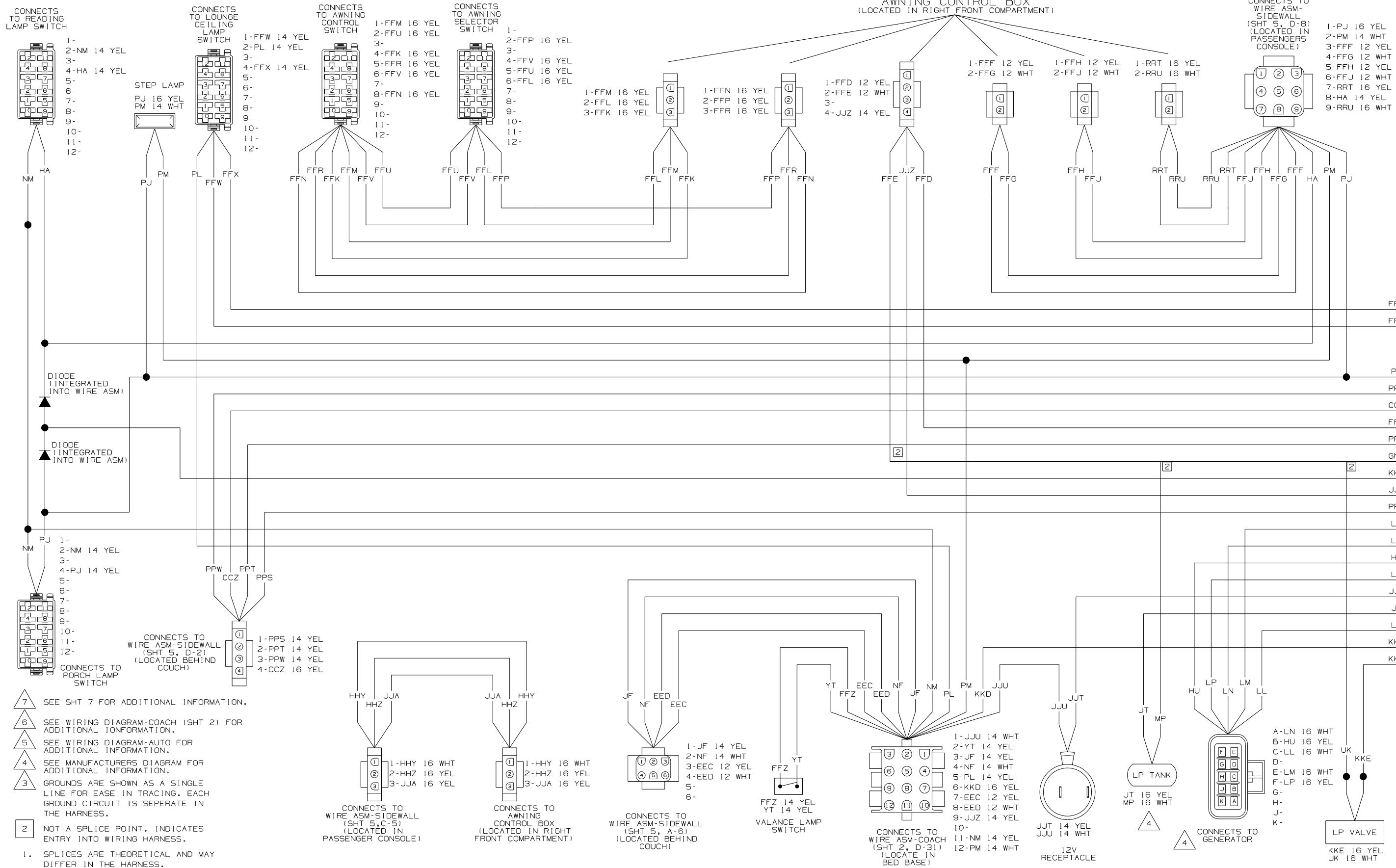


CONNECTS TO WIRE ASM-LOCK, COMPT DOORS (SHT 5, A-6) (LOCATED ON COMPT DOOR)

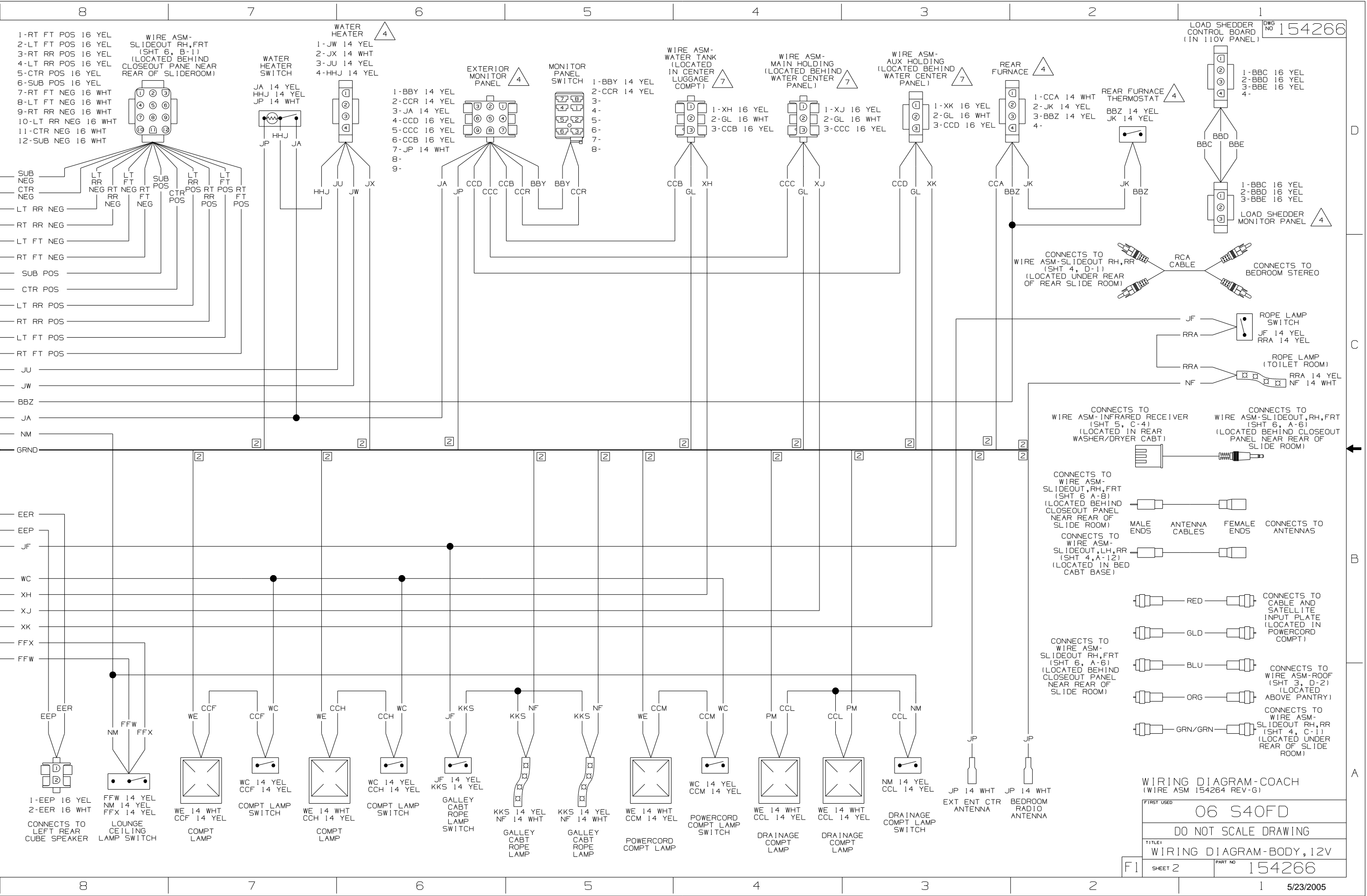


CONNECTS TO WIRE ASM-IP MAIN (LOCATED ON FRONT LEFT COMPT)

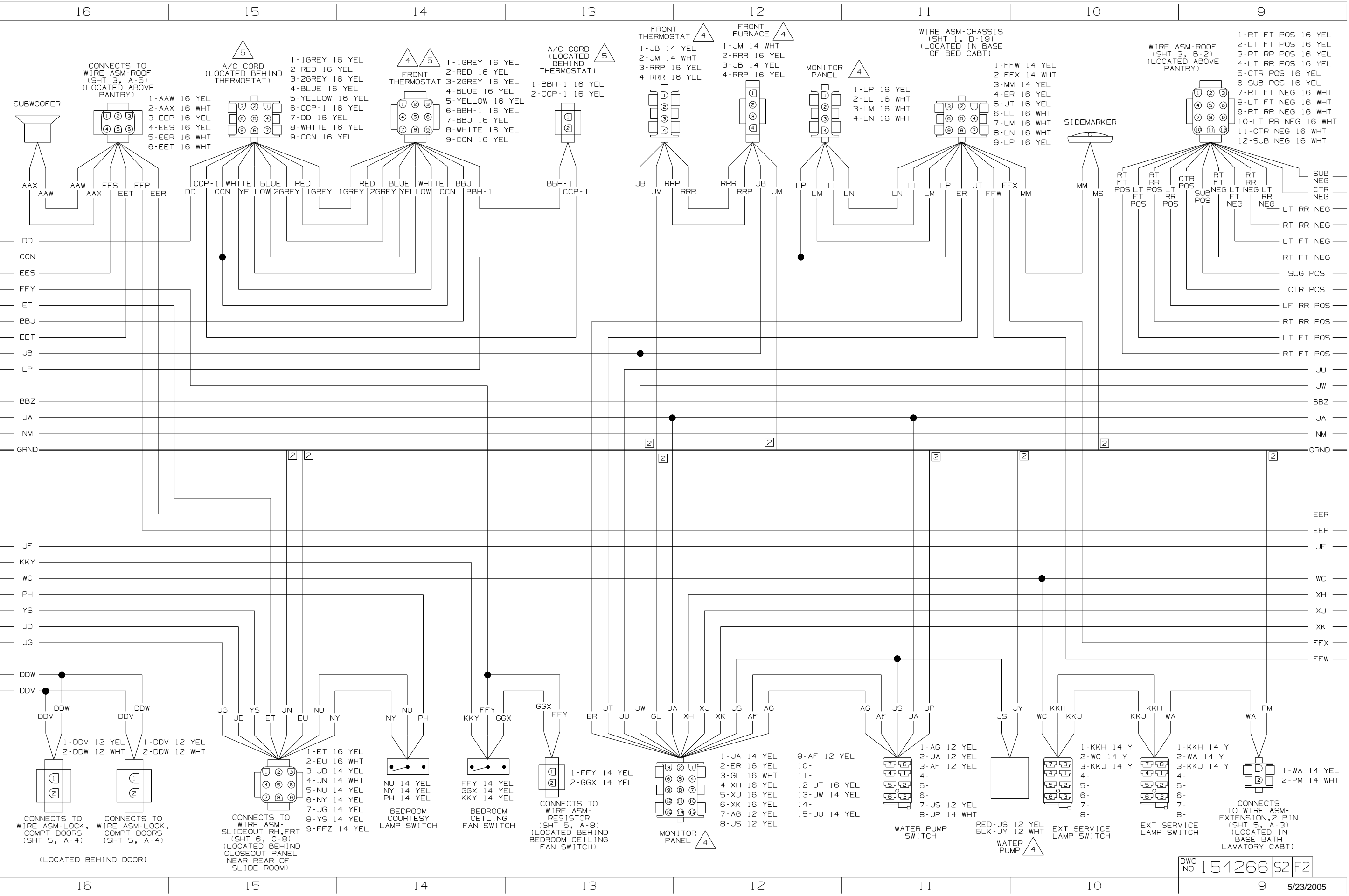
- E1-NNK 16 YEL
- E2-KKL 16 YEL
- F1-HHE 16 YEL
- F2-HHF 16 YEL
- A1-DDT 12 YEL
- A2-DDU 12 WHT
- A3-DDV 12 YEL
- B1-CCZ 16 YEL
- B2-
- B3-
- B4-
- C1-DDZ 12 YEL
- C2-EEA 12 WHT
- D1-PPS 14 YEL
- D2-PPT 14 YEL
- D3-PPU 14 YEL
- D4-PPV 14 YEL
- G1-
- G2-
- G3-
- G4-
- H1-LP 16 YX
- H2-
- H3-
- H4-
- J1-
- J2-
- J3-KKM 16 YEL
- J4-KKN 16 YEL
- K1-DDW 12 WHT
- K2-HHD 12 YEL
- K3-FX 12 YEL



- 7 SEE SHT 7 FOR ADDITIONAL INFORMATION.
- 6 SEE WIRING DIAGRAM-COACH (SHT 2) FOR ADDITIONAL INFORMATION.
- 5 SEE WIRING DIAGRAM-AUTO FOR ADDITIONAL INFORMATION.
- 4 SEE MANUFACTURERS DIAGRAM FOR ADDITIONAL INFORMATION.
- 3 GROUNDS ARE SHOWN AS A SINGLE LINE FOR EASE IN TRACING. EACH GROUND CIRCUIT IS SEPERATE IN THE HARNESS.
- 2 NOT A SPLICE POINT. INDICATES ENTRY INTO WIRING HARNESS.
1. SPLICES ARE THEORETICAL AND MAY DIFFER IN THE HARNESS.



|                                 |         |          |        |
|---------------------------------|---------|----------|--------|
| FIRST USED                      |         | 06 S40FD |        |
| DO NOT SCALE DRAWING            |         |          |        |
| TITLE: WIRING DIAGRAM-BODY, 12V |         |          |        |
| SHEET 2                         | PART NO |          | 154266 |



16

15

14

13

12

11

10

9

CONNECTS TO  
WIRE ASM-ROOF  
(SHT 3, A-5)  
(LOCATED ABOVE  
PANTRY)

A/C CORD  
(LOCATED BEHIND  
THERMOSTAT)

FRONT  
THERMOSTAT

A/C CORD  
(LOCATED  
BEHIND  
THERMOSTAT)

FRONT  
THERMOSTAT

FRONT  
FURNACE

WIRE ASM-CHASSIS  
(SHT 1, D-19)  
(LOCATED IN BASE  
OF BED CABT)

WIRE ASM-ROOF  
(SHT 3, B-2)  
(LOCATED ABOVE  
PANTRY)

1-RT FT POS 16 YEL  
2-LT FT POS 16 YEL  
3-RT RR POS 16 YEL  
4-LT RR POS 16 YEL  
5-CTR POS 16 YEL  
6-SUB POS 16 YEL  
7-RT FT NEG 16 WHT  
8-LT FT NEG 16 WHT  
9-RT RR NEG 16 WHT  
10-LT RR NEG 16 WHT  
11-CTR NEG 16 WHT  
12-SUB NEG 16 WHT

- 1-AAW 16 YEL
- 2-AAX 16 WHT
- 3-EEP 16 YEL
- 4-EES 16 YEL
- 5-EER 16 WHT
- 6-EET 16 WHT

- 1-1GREY 16 YEL
- 2-RED 16 YEL
- 3-2GREY 16 YEL
- 4-BLUE 16 YEL
- 5-YELLOW 16 YEL
- 6-CCP-1 16 YEL
- 7-DD 16 YEL
- 8-WHITE 16 YEL
- 9-CCN 16 YEL

- 1-1GREY 16 YEL
- 2-RED 16 YEL
- 3-2GREY 16 YEL
- 4-BLUE 16 YEL
- 5-YELLOW 16 YEL
- 6-BBH-1 16 YEL
- 7-BBJ 16 YEL
- 8-WHITE 16 YEL
- 9-CCN 16 YEL

- 1-BBH-1 16 YEL
- 2-CCP-1 16 YEL

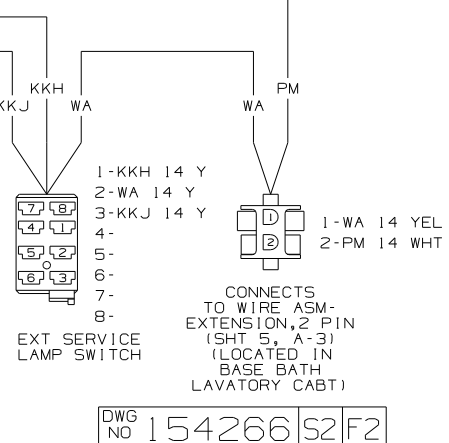
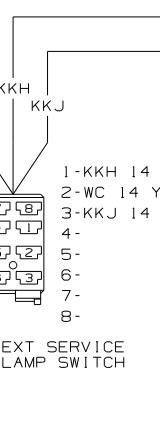
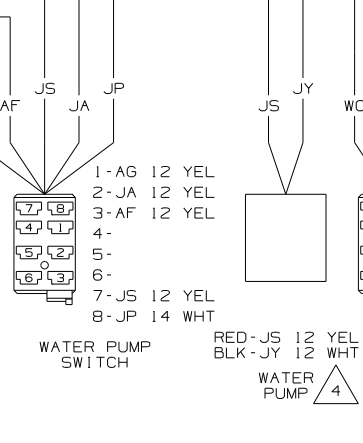
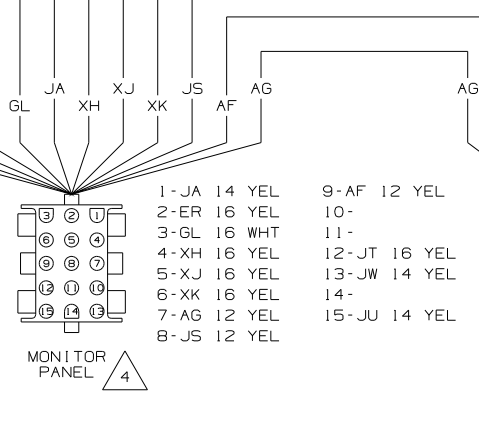
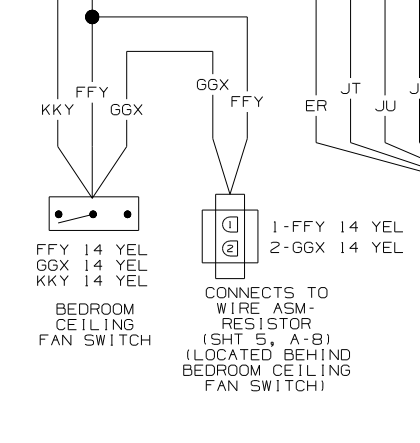
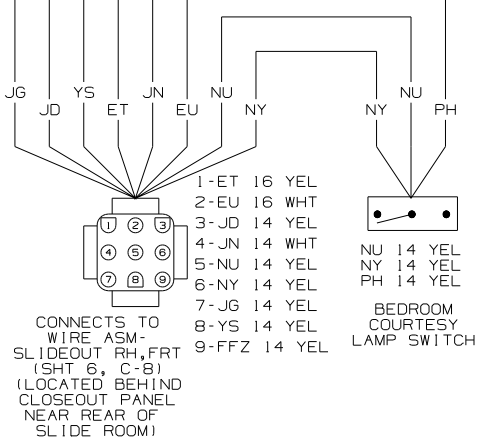
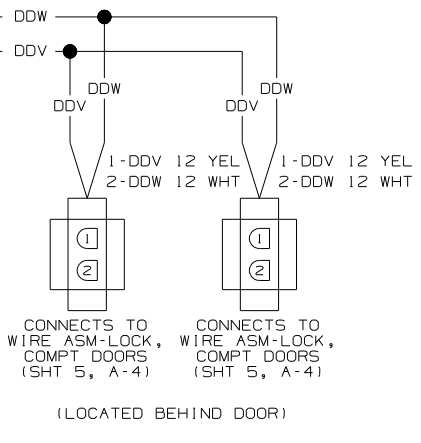
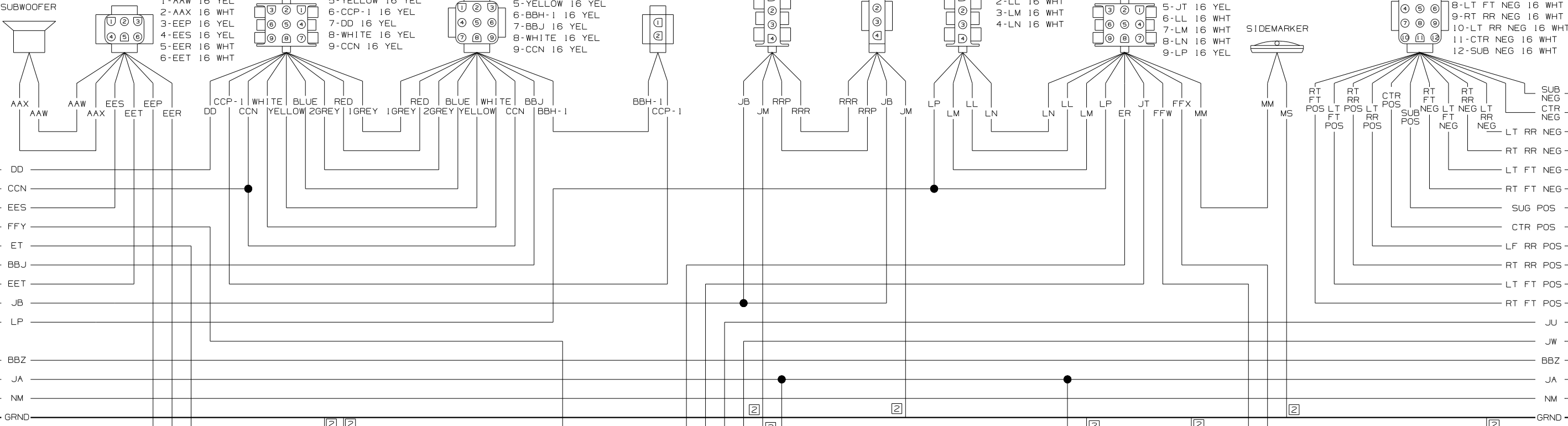
- 1-JB 14 YEL
- 2-JM 14 WHT
- 3-RRP 16 YEL
- 4-RRR 16 YEL

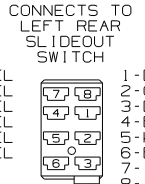
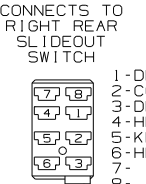
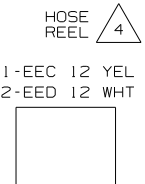
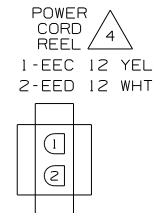
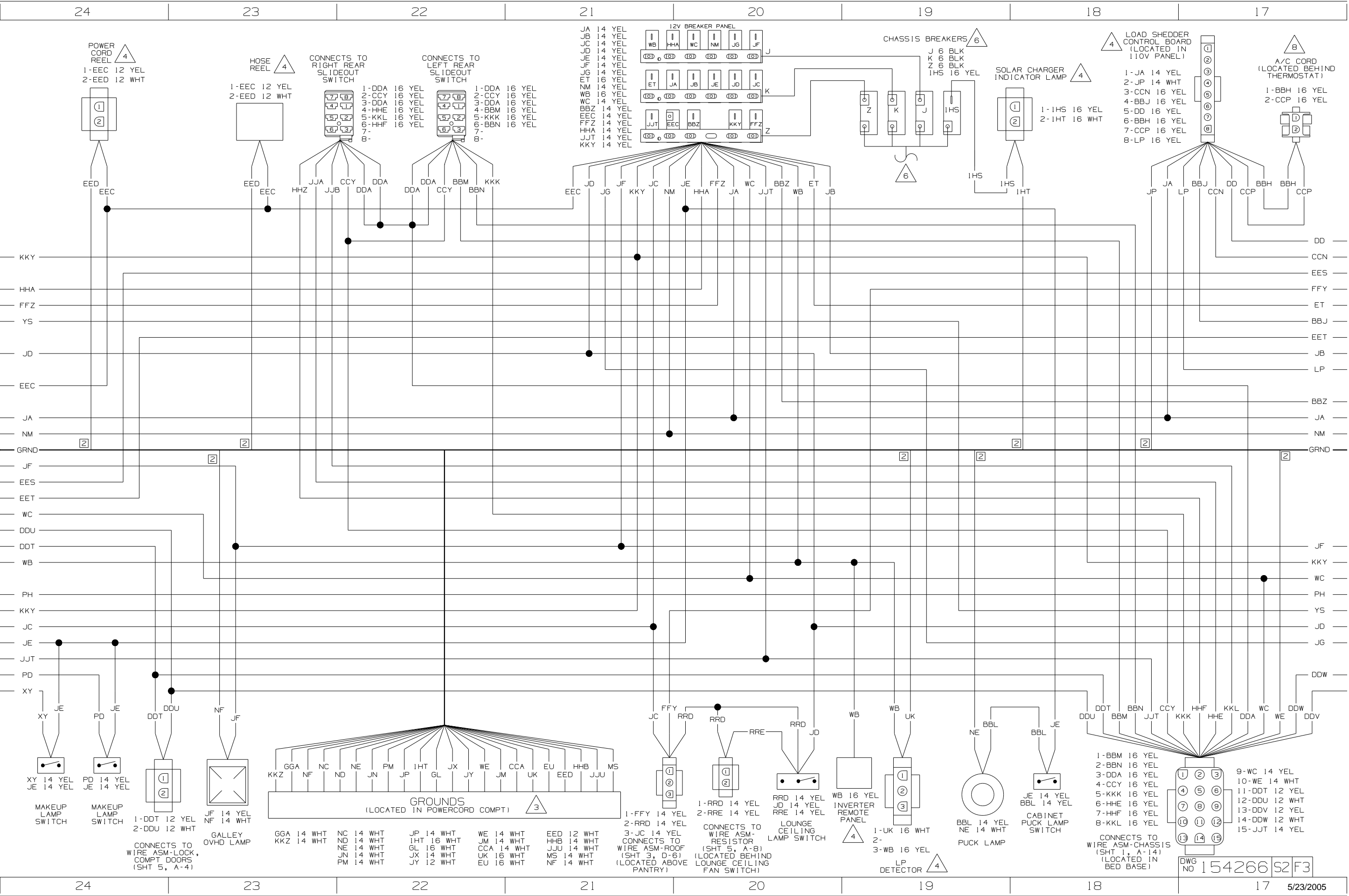
- 1-JM 14 WHT
- 2-RRR 16 YEL
- 3-JB 14 YEL
- 4-RRP 16 YEL

- 1-LP 16 YEL
- 2-LL 16 WHT
- 3-LM 16 WHT
- 4-LN 16 WHT

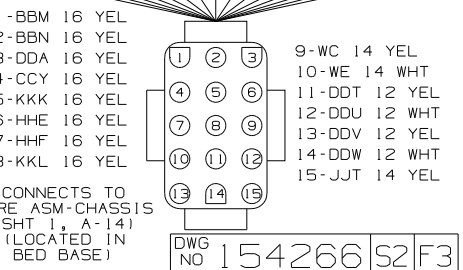
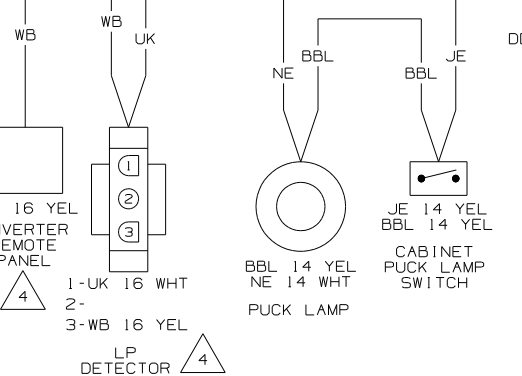
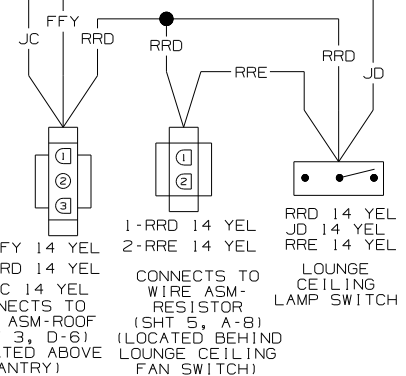
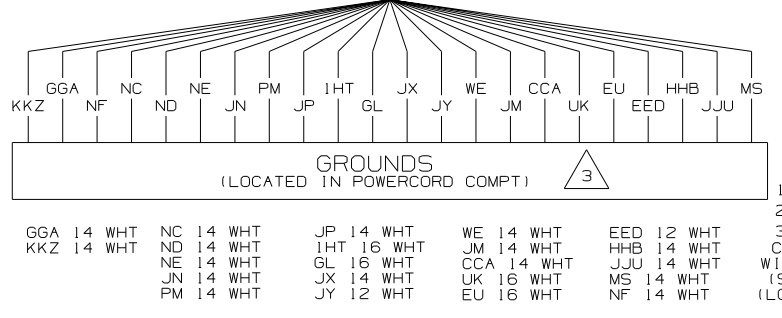
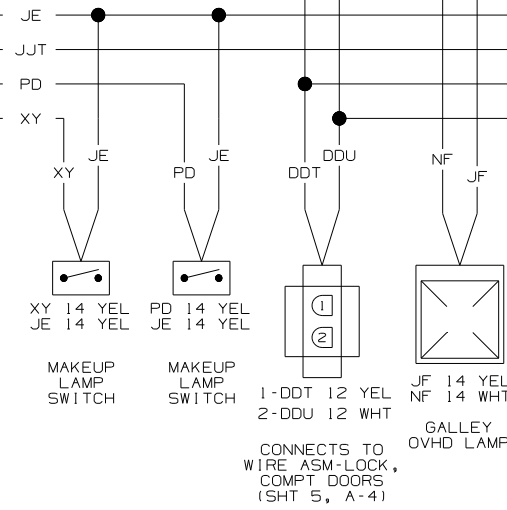
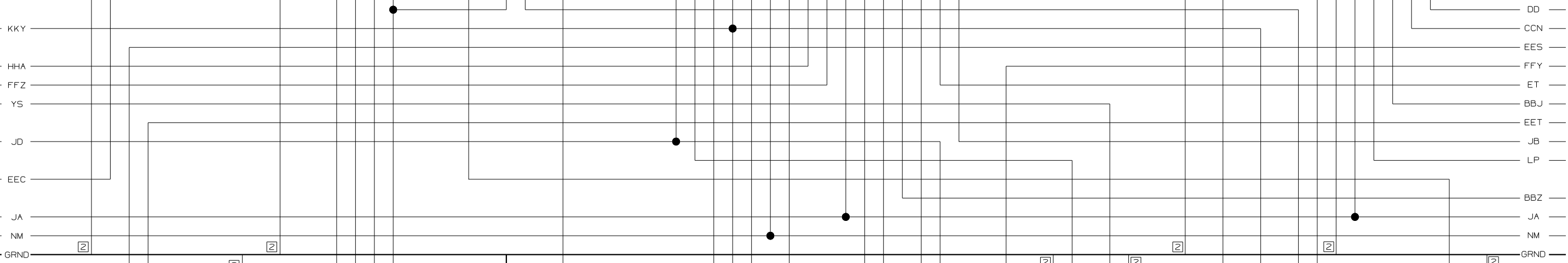
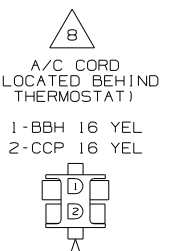
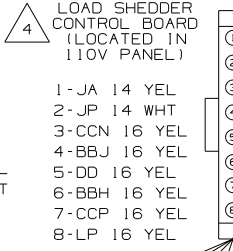
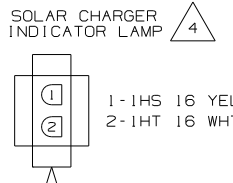
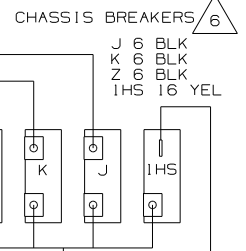
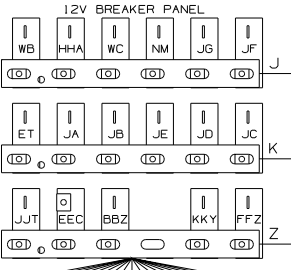
- 1-FFW 14 YEL
- 2-FFX 14 WHT
- 3-MM 14 YEL
- 4-ER 16 YEL
- 5-JT 16 YEL
- 6-LL 16 WHT
- 7-LM 16 WHT
- 8-LN 16 WHT
- 9-LP 16 YEL

- 1-RT FT POS 16 YEL
- 2-LT FT POS 16 YEL
- 3-RT RR POS 16 YEL
- 4-LT RR POS 16 YEL
- 5-CTR POS 16 YEL
- 6-SUB POS 16 YEL
- 7-RT FT NEG 16 WHT
- 8-LT FT NEG 16 WHT
- 9-RT RR NEG 16 WHT
- 10-LT RR NEG 16 WHT
- 11-CTR NEG 16 WHT
- 12-SUB NEG 16 WHT

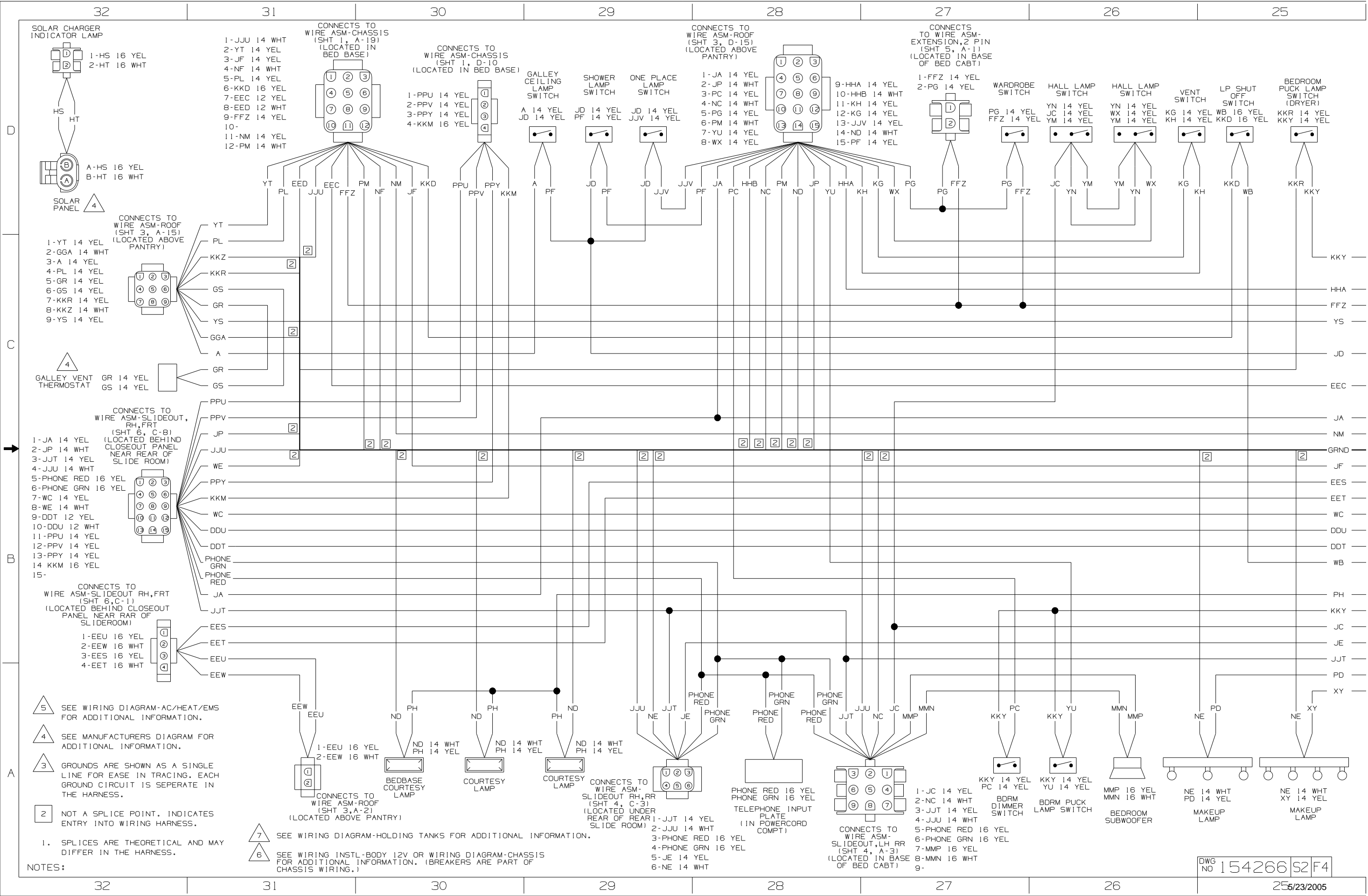


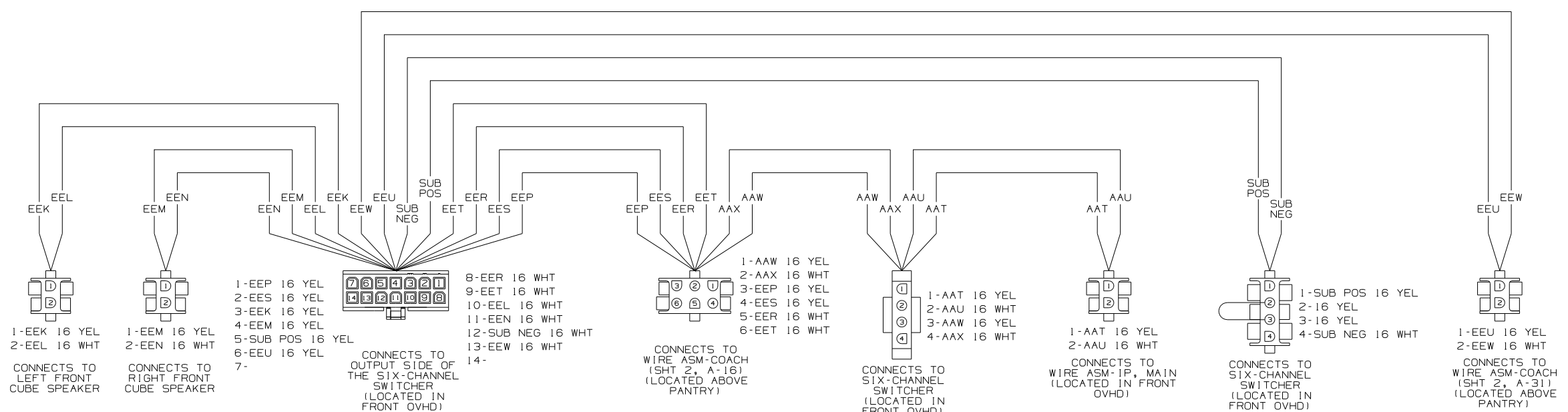
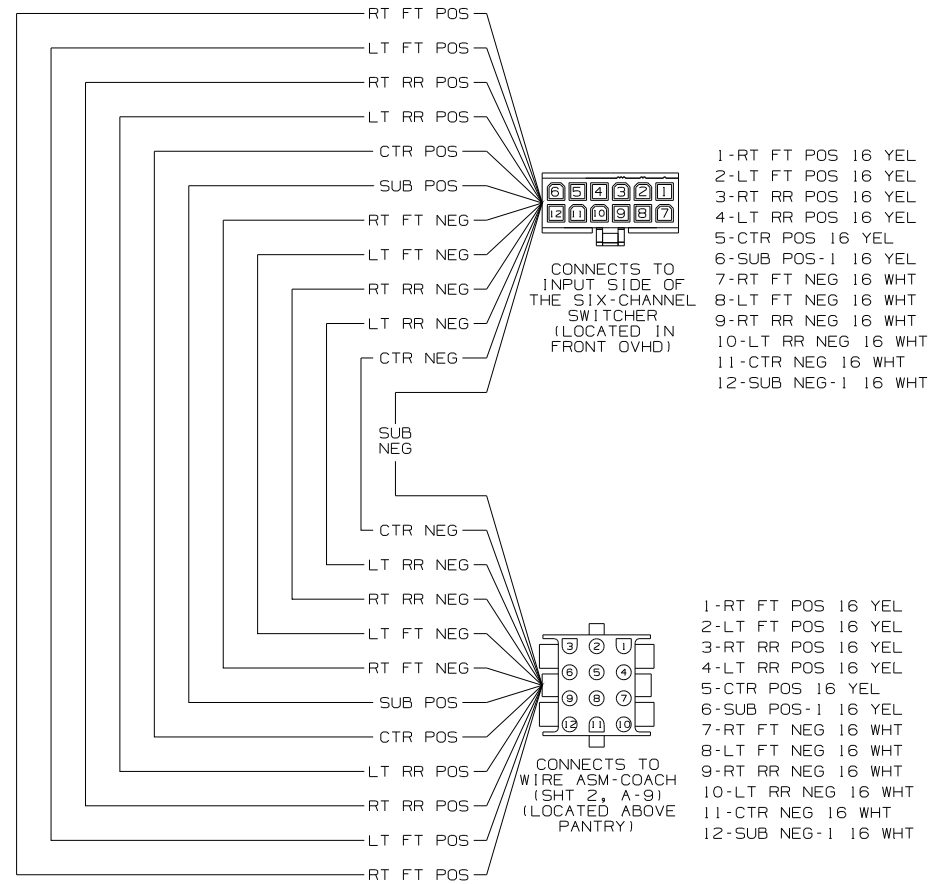
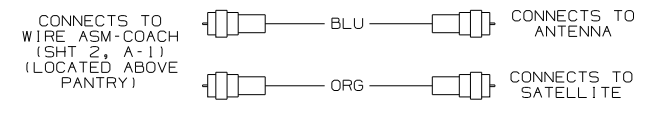
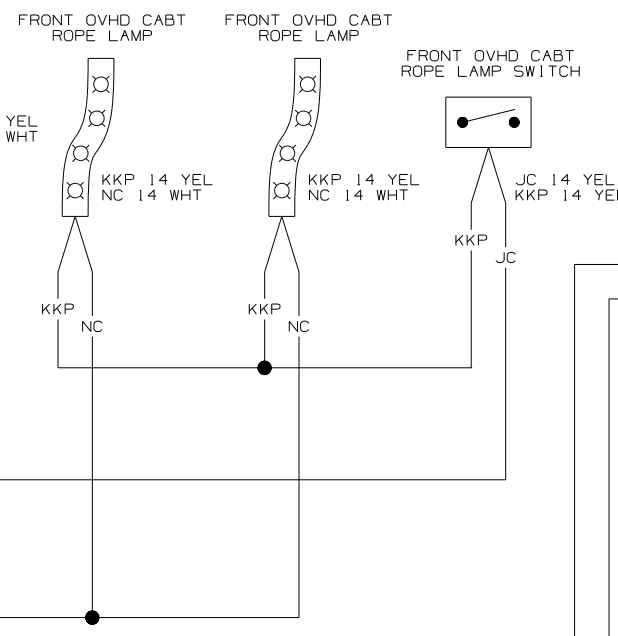
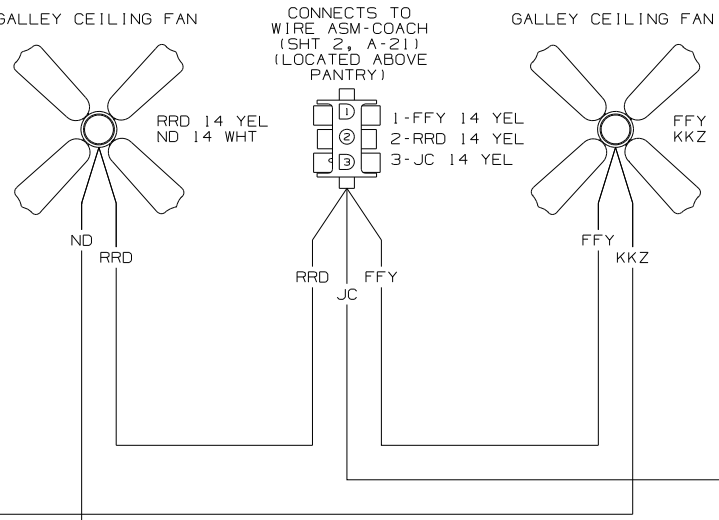
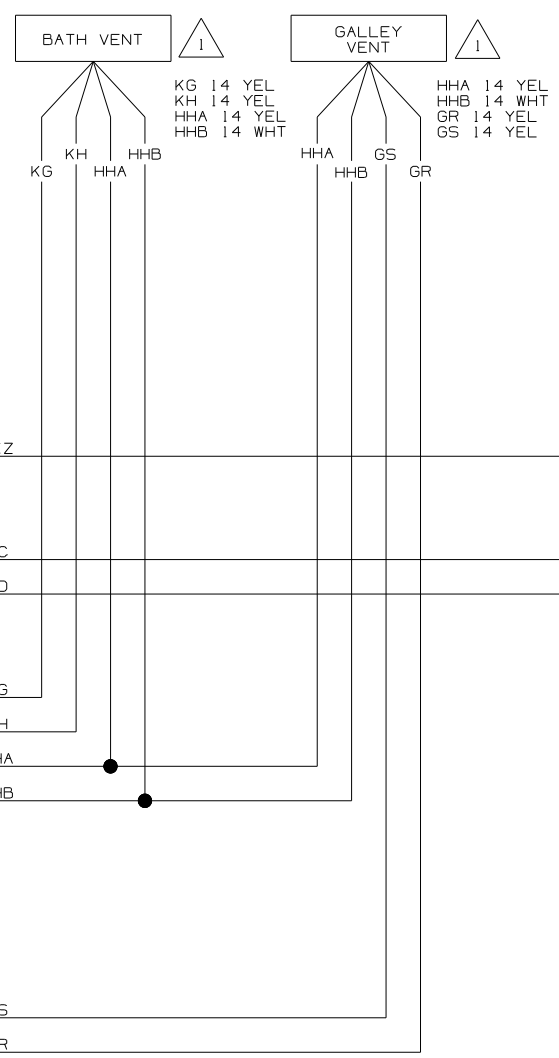
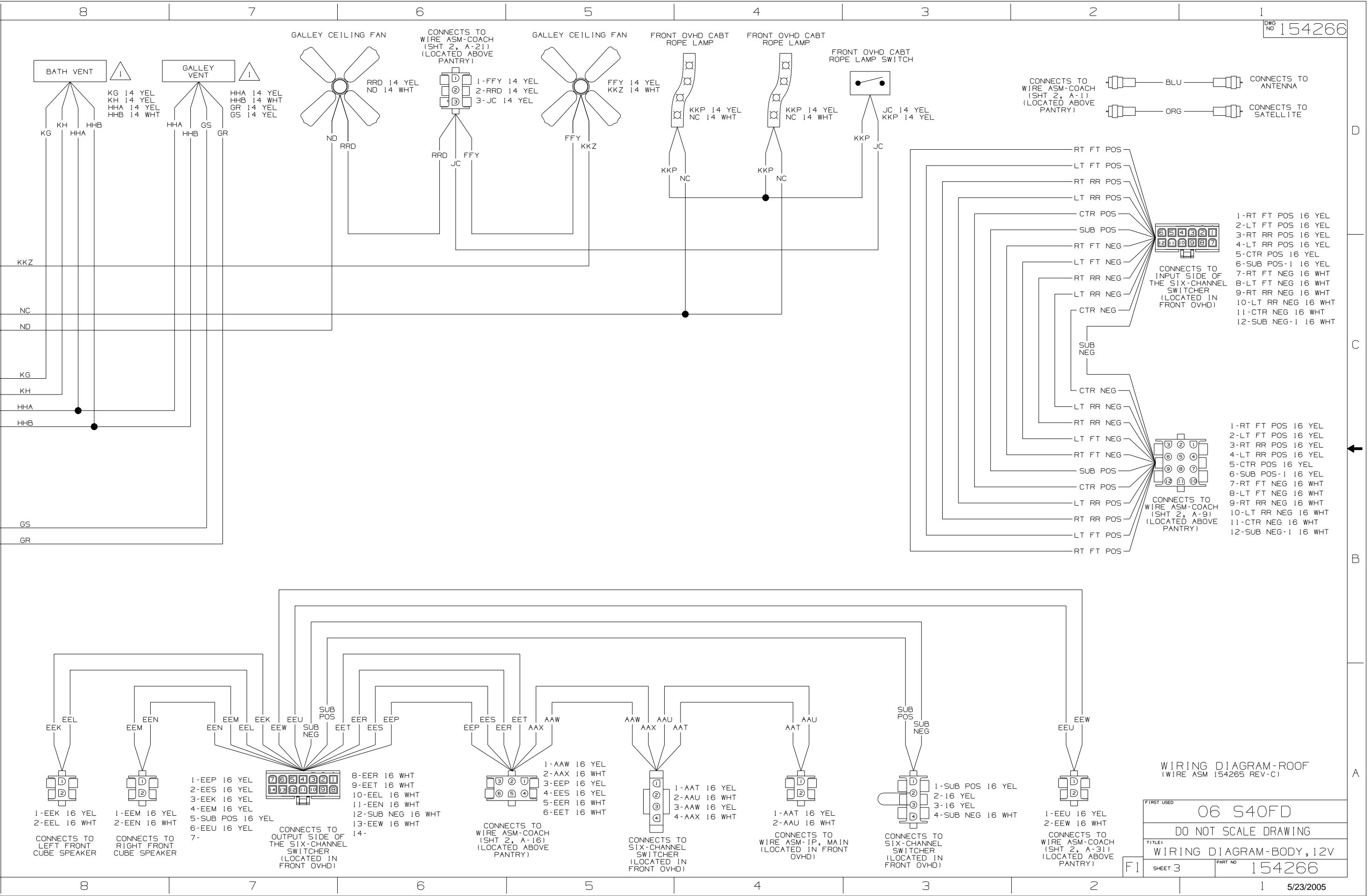


- JA 14 YEL
- JB 14 YEL
- JC 14 YEL
- JD 14 YEL
- JE 14 YEL
- JF 14 YEL
- JG 14 YEL
- ET 16 YEL
- NM 14 YEL
- WB 16 YEL
- WC 14 YEL
- BBZ 14 YEL
- EEC 14 YEL
- FFZ 14 YEL
- HHA 14 YEL
- JJT 14 YEL
- KKY 14 YEL



DWG NO 154266 S2 F3



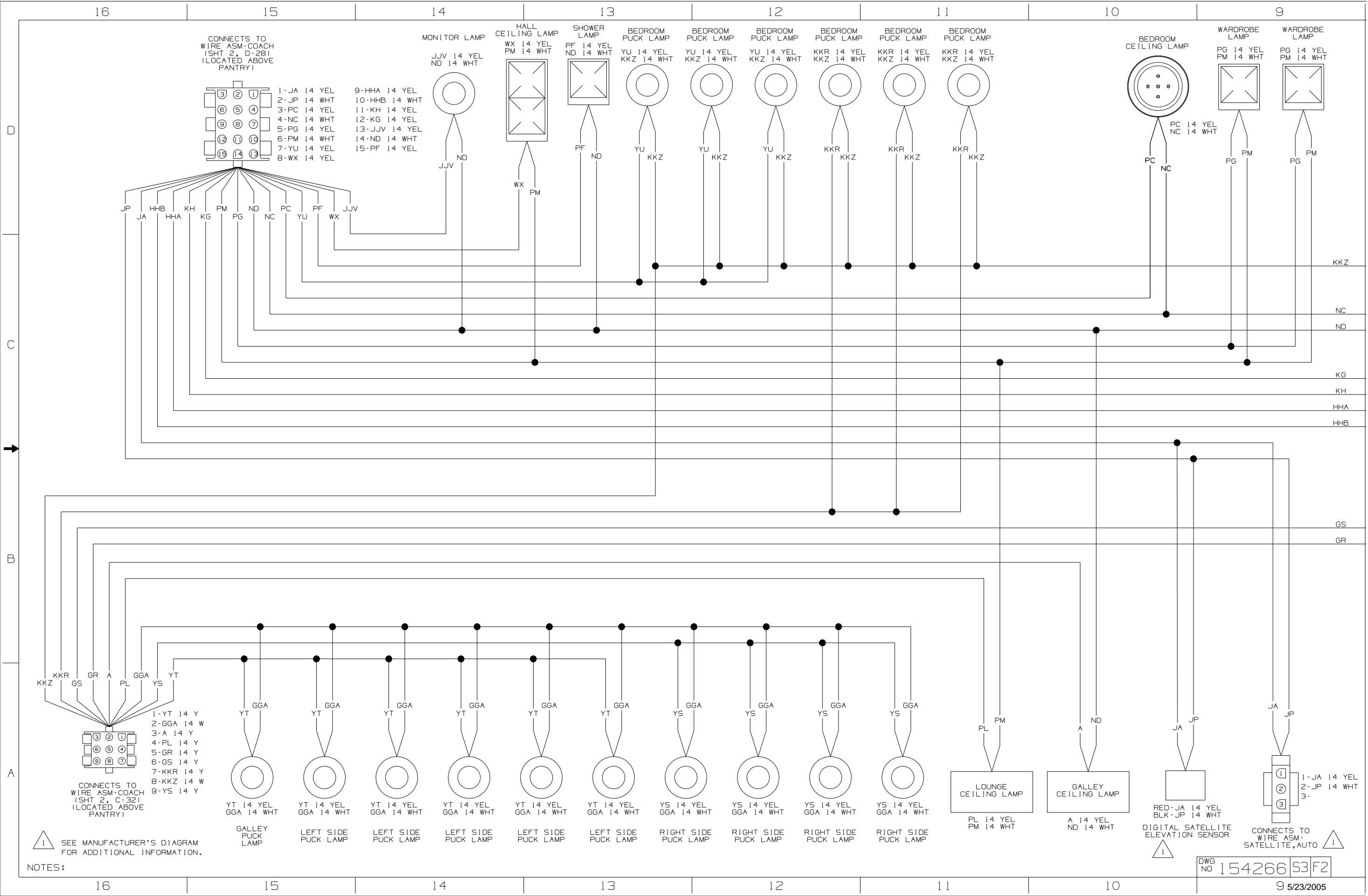


WIRING DIAGRAM-ROOF  
(WIRE ASM 154265 REV-C)

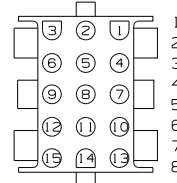
|            |                          |
|------------|--------------------------|
| FIRST USED | 06 S40FD                 |
| TITLE      | DO NOT SCALE DRAWING     |
| TITLE      | WIRING DIAGRAM-BODY, 12V |
| SHEET 3    | PART NO 154266           |

F1

D  
C  
B  
A

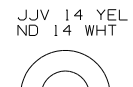


CONNECTS TO WIRE ASM-COACH (SHT 2, D-28) (LOCATED ABOVE PANTRY)

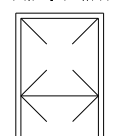


- 1-JA 14 YEL
- 2-JP 14 WHT
- 3-PC 14 YEL
- 4-NC 14 WHT
- 5-PG 14 YEL
- 6-PM 14 WHT
- 7-YU 14 YEL
- 8-WX 14 YEL
- 9-HHA 14 YEL
- 10-HHB 14 WHT
- 11-KH 14 YEL
- 12-KG 14 YEL
- 13-JJV 14 YEL
- 14-ND 14 WHT
- 15-PF 14 YEL

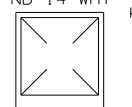
MONITOR LAMP



HALL CEILING LAMP



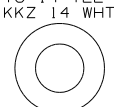
SHOWER LAMP



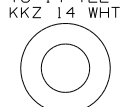
BEDROOM PUCK LAMP



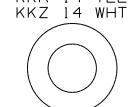
BEDROOM PUCK LAMP



BEDROOM PUCK LAMP



BEDROOM PUCK LAMP



BEDROOM PUCK LAMP



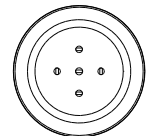
BEDROOM PUCK LAMP



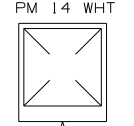
BEDROOM PUCK LAMP



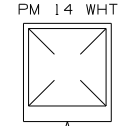
BEDROOM CEILING LAMP



WARDROBE LAMP



WARDROBE LAMP



SEE MANUFACTURER'S DIAGRAM FOR ADDITIONAL INFORMATION.

NOTES:

DIGITAL SATELLITE ELEVATION SENSOR

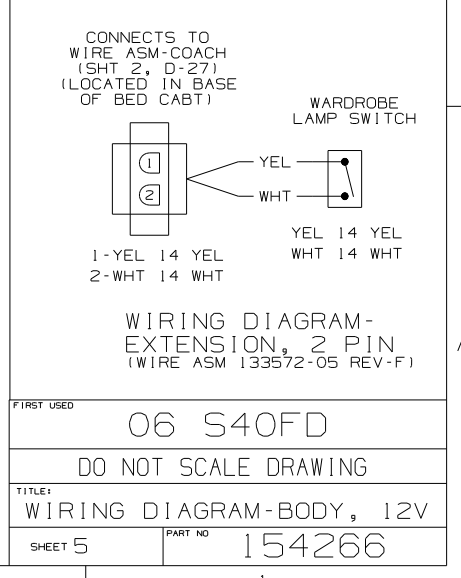
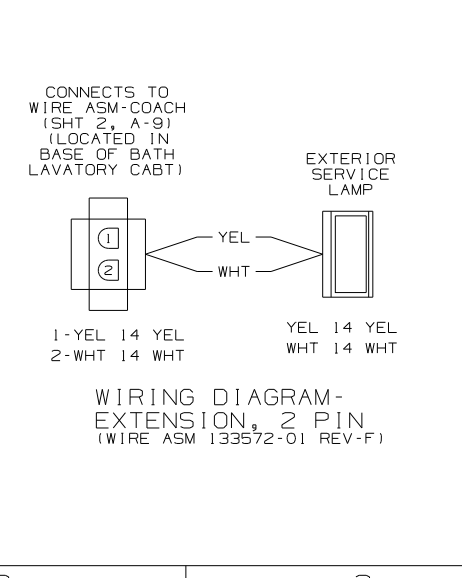
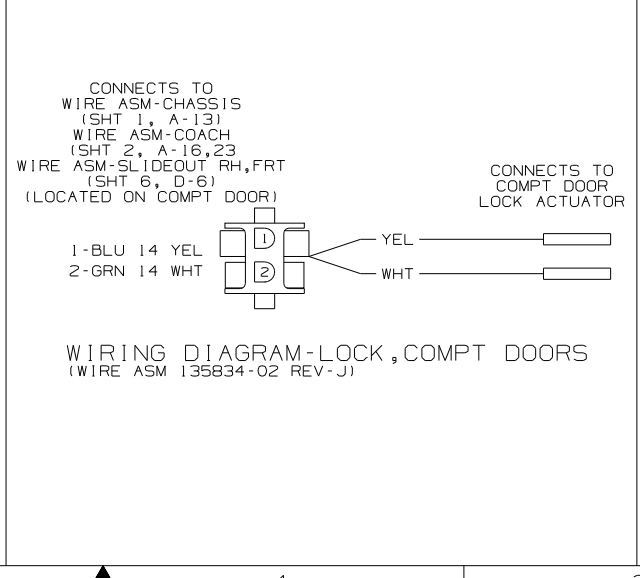
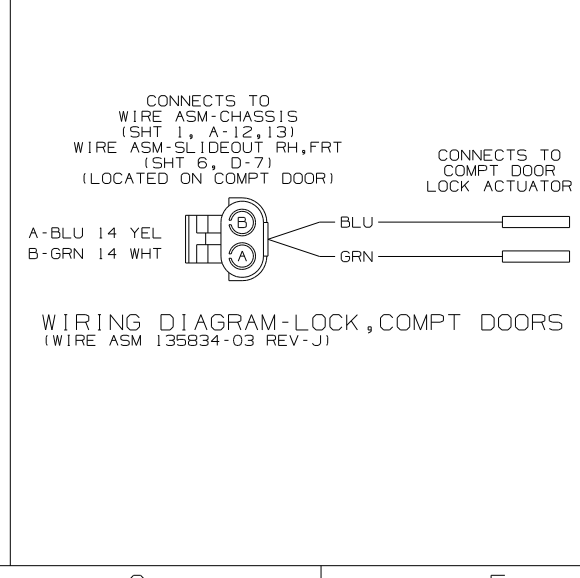
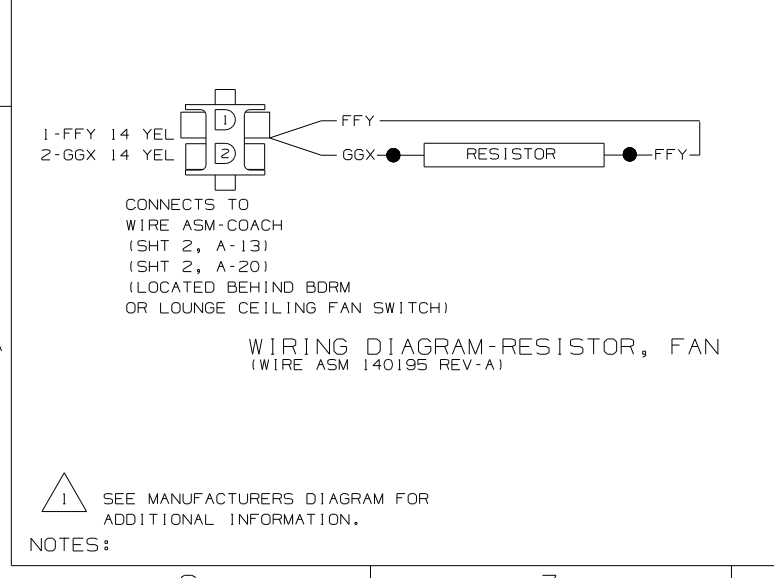
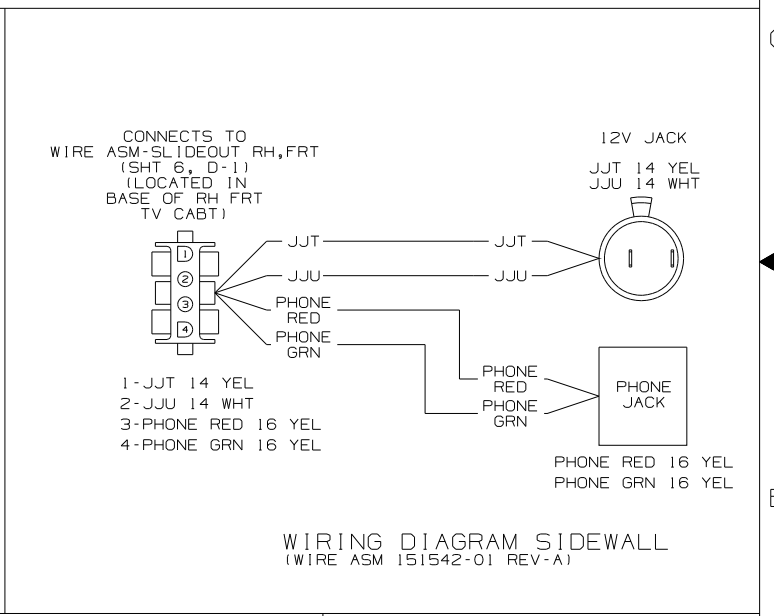
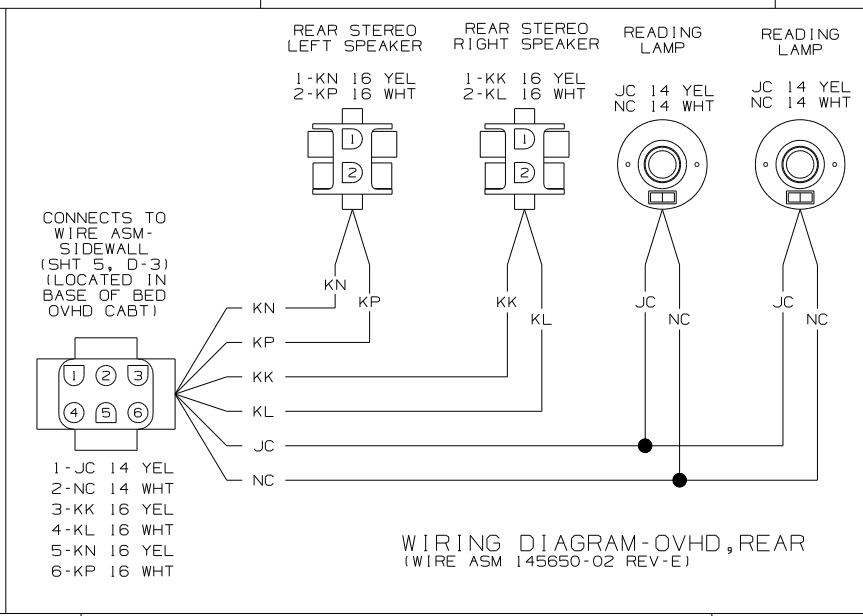
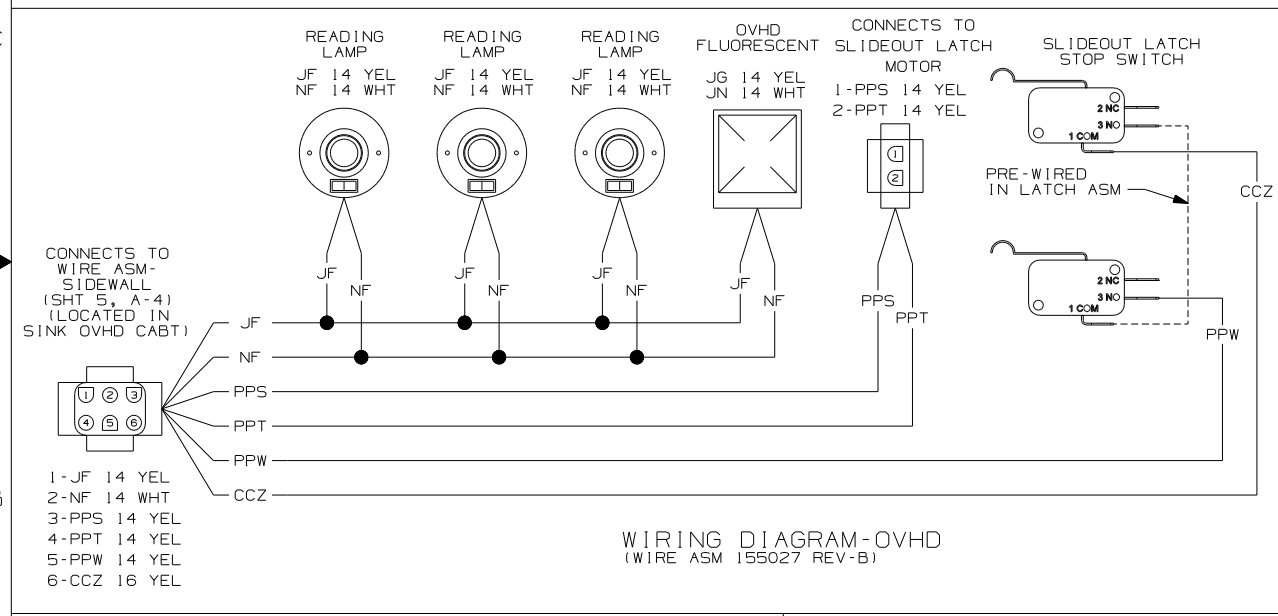
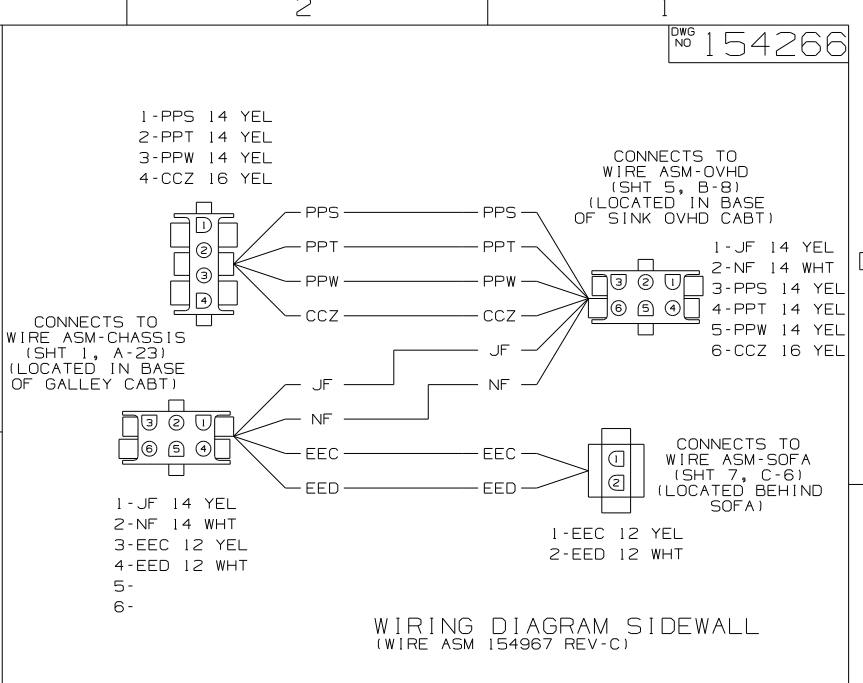
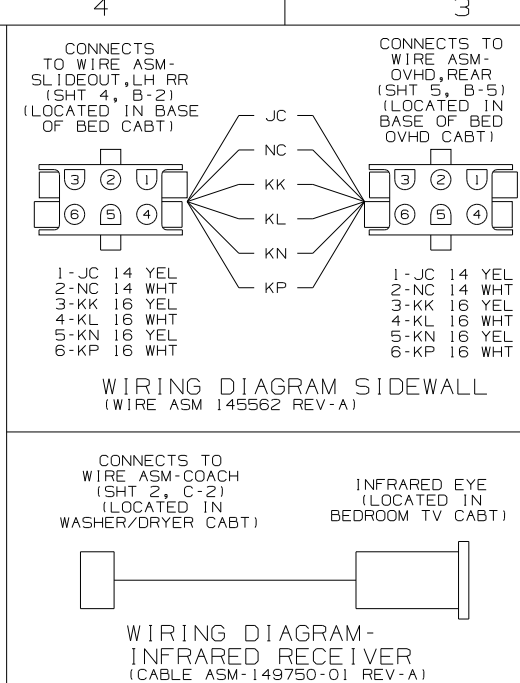
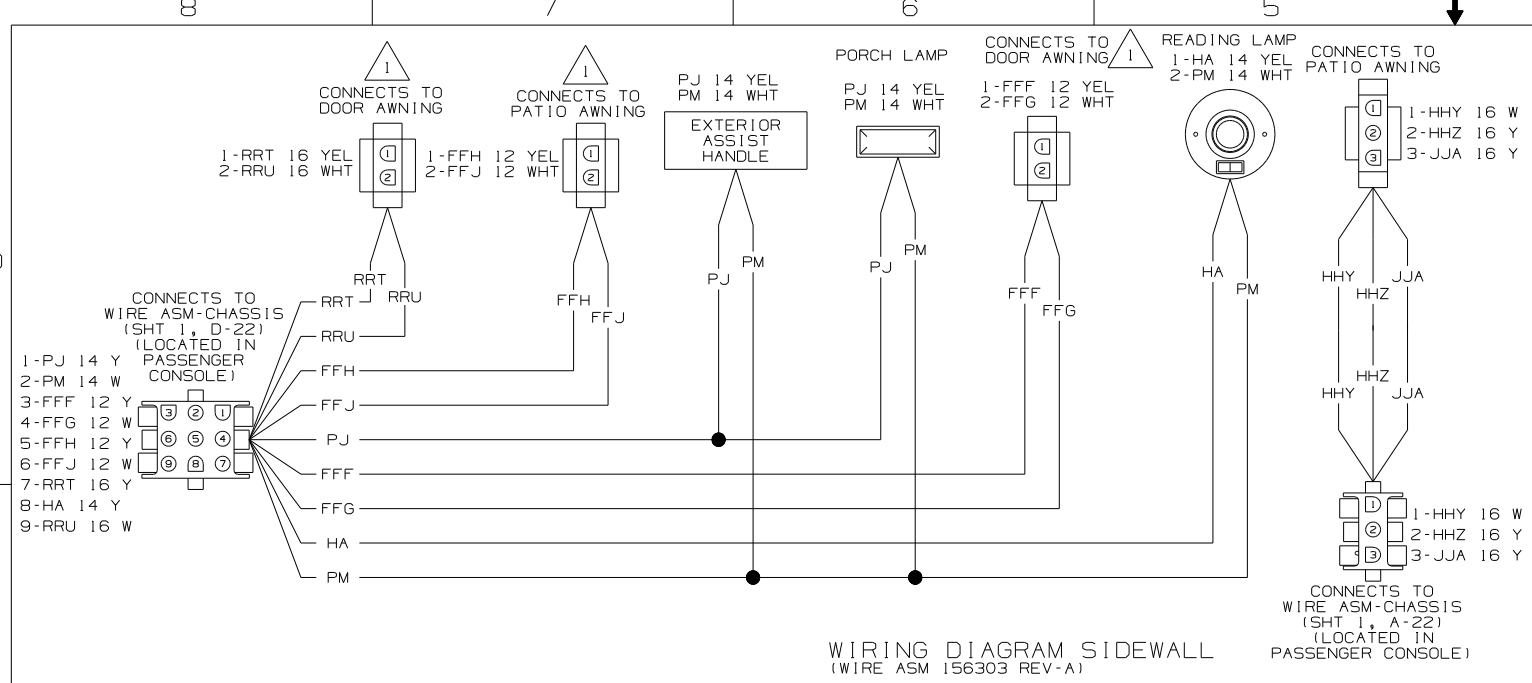
CONNECTS TO WIRE ASM-SATELLITE, AUTO

DWG NO 154266 S3F2

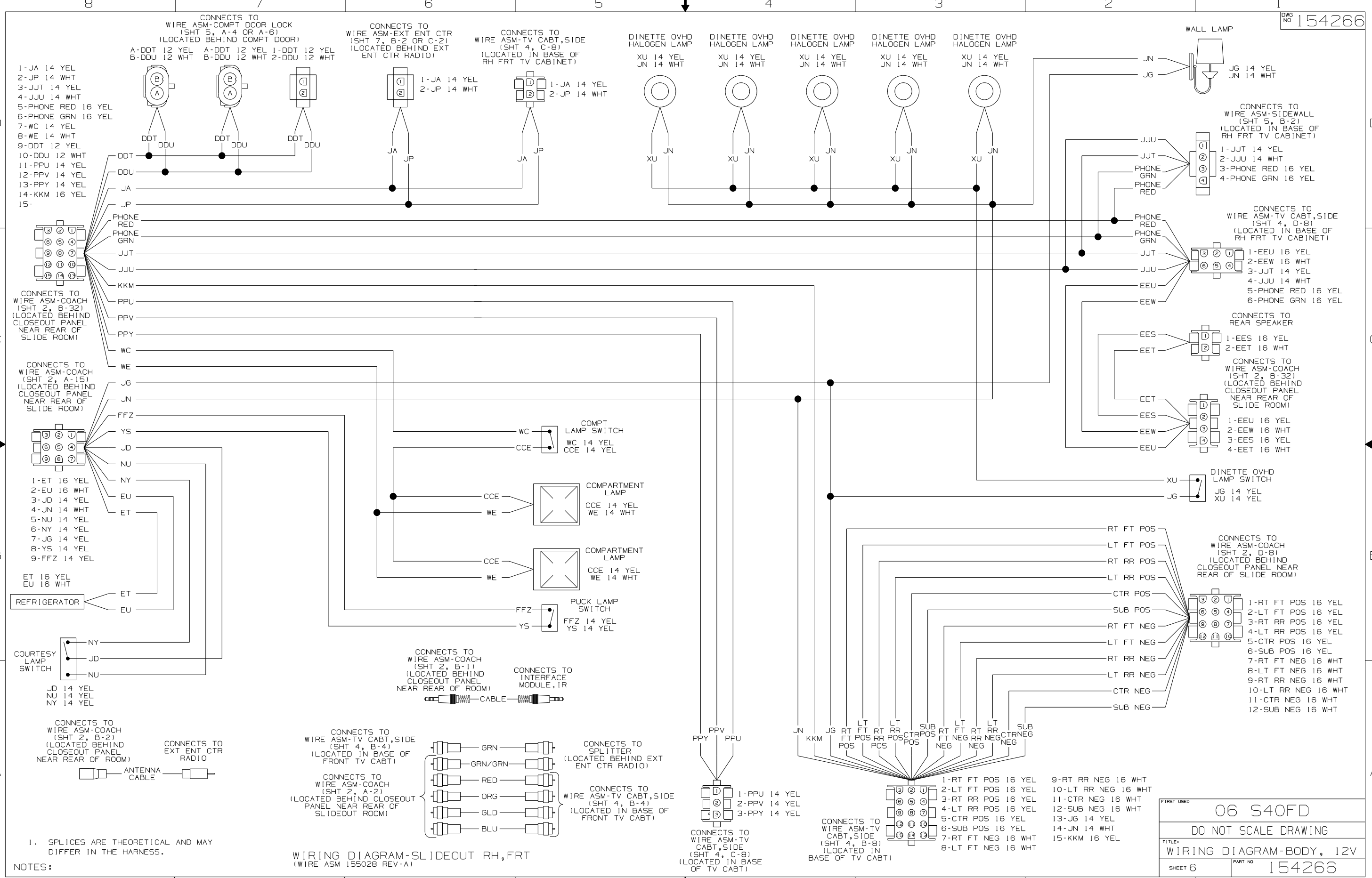
5/23/2005







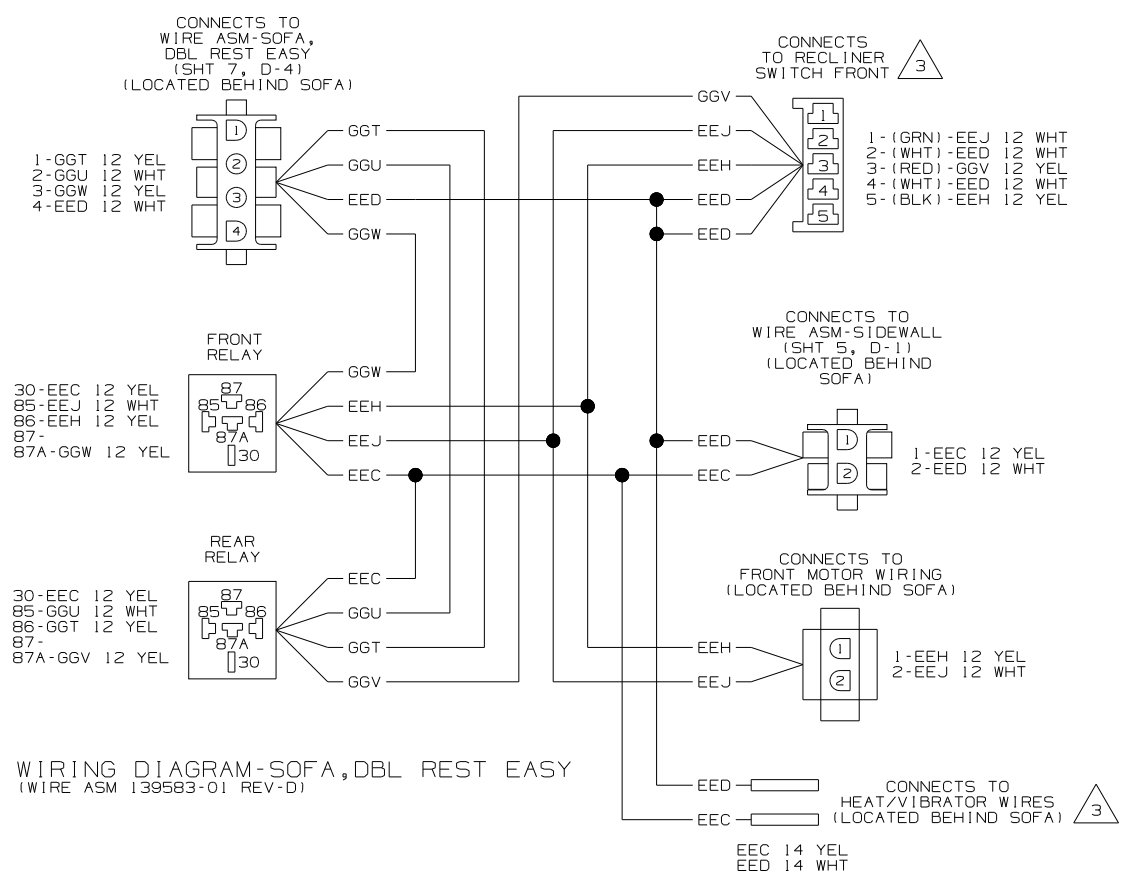
NOTES: SEE MANUFACTURERS DIAGRAM FOR ADDITIONAL INFORMATION.



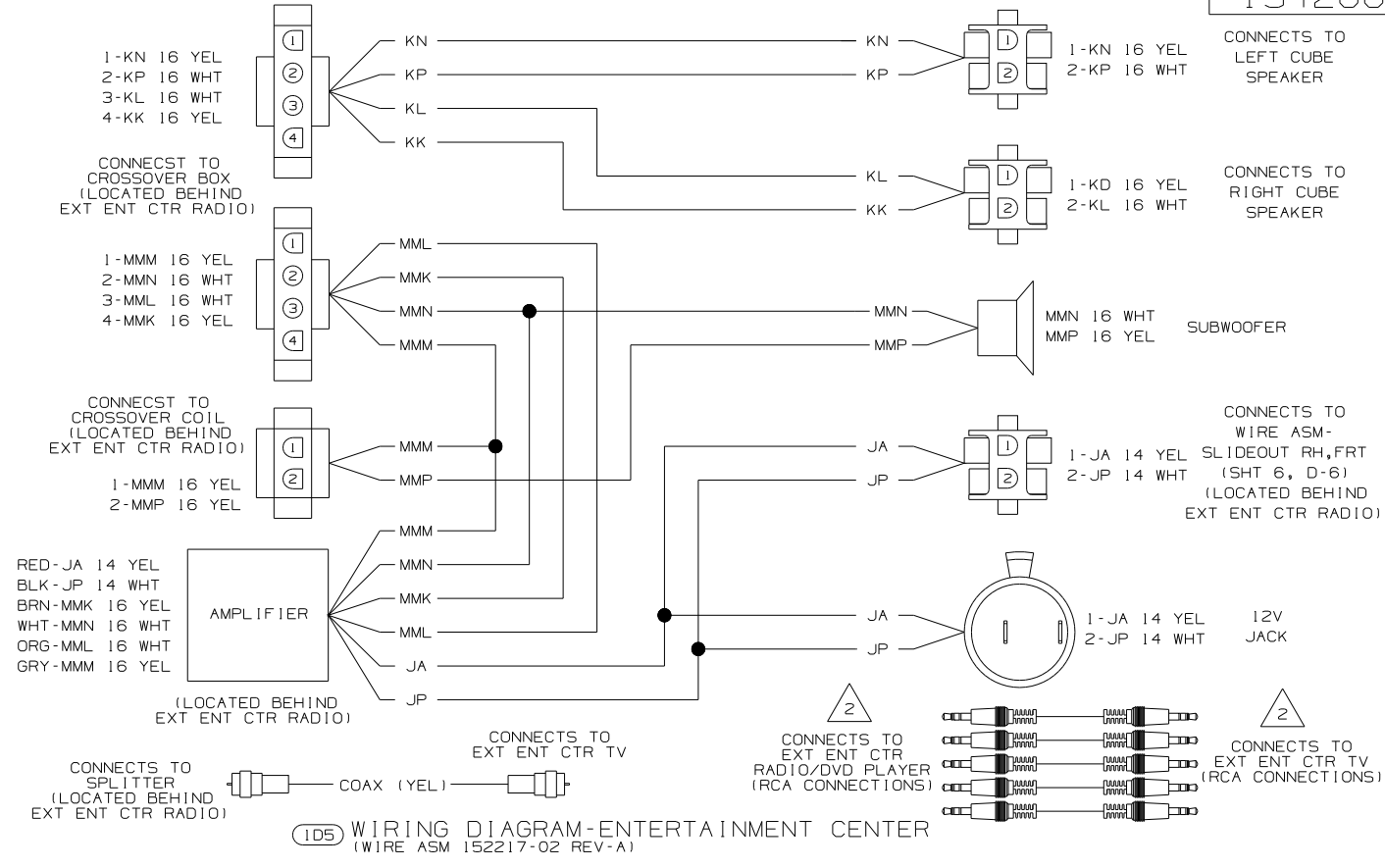
NOTES:  
 1. SPLICES ARE THEORETICAL AND MAY DIFFER IN THE HARNESS.

WIRING DIAGRAM-SLIDEOUT RH,FRT  
 (WIRE ASM 155028 REV-A)

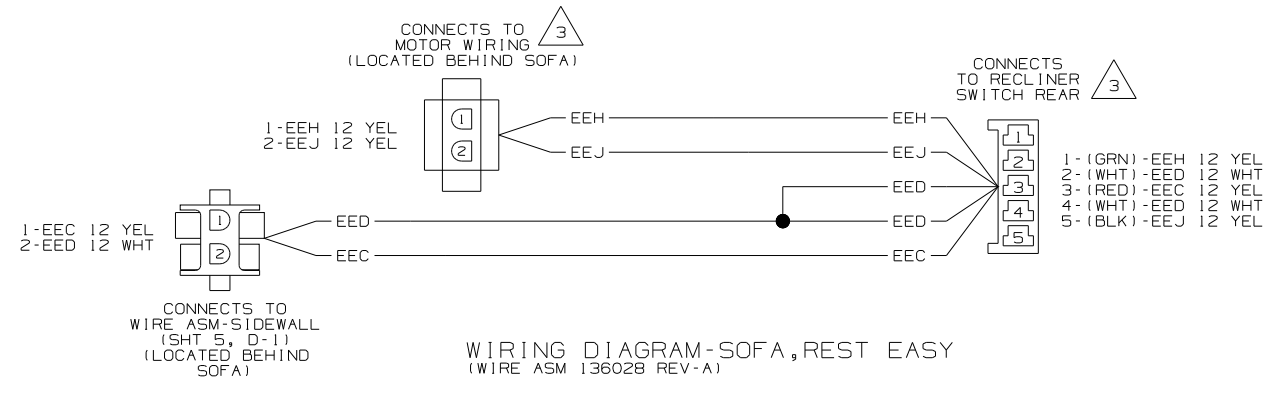
|                                    |         |          |        |
|------------------------------------|---------|----------|--------|
| FIRST USED                         |         | 06 S40FD |        |
| DO NOT SCALE DRAWING               |         |          |        |
| TITLE:<br>WIRING DIAGRAM-BODY, 12V |         |          |        |
| SHEET 6                            | PART NO |          | 154266 |



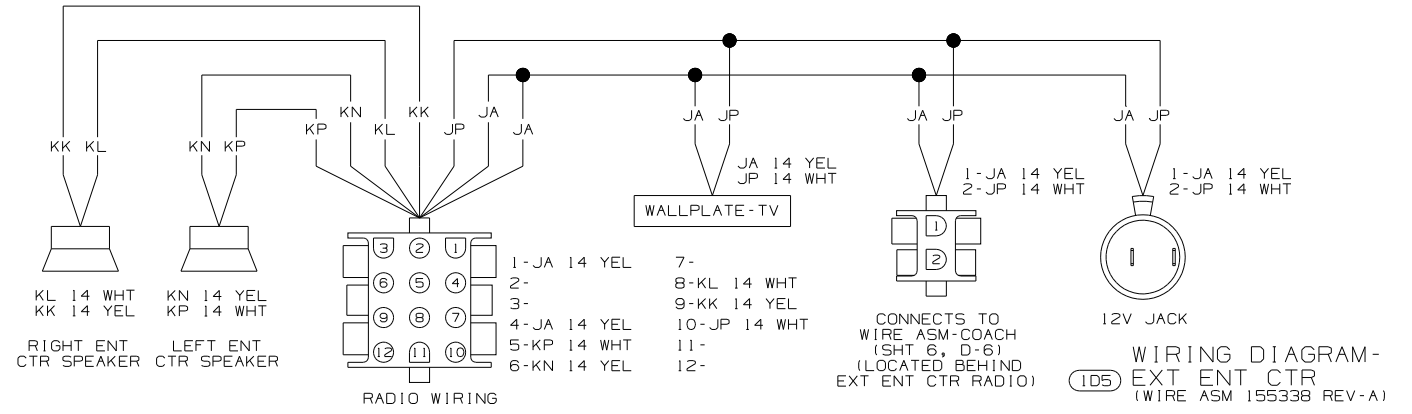
WIRING DIAGRAM-SOFA, DBL REST EASY (WIRE ASM 139583-01 REV-D)



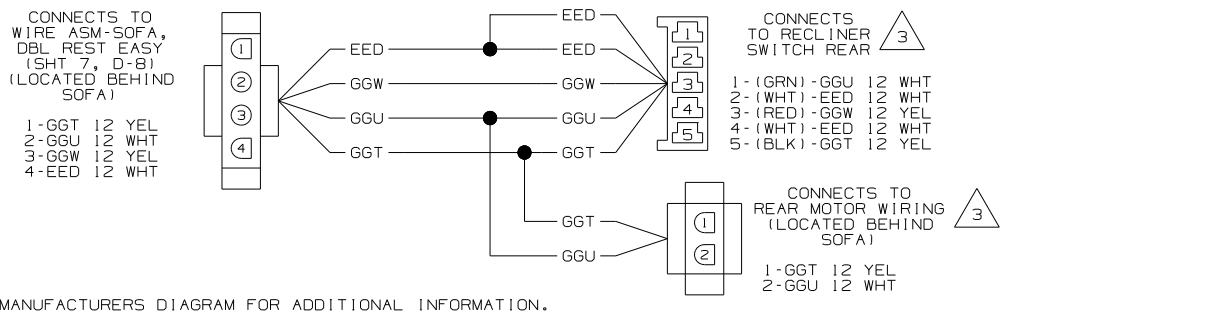
105 WIRING DIAGRAM-ENTERTAINMENT CENTER (WIRE ASM 152217-02 REV-A)



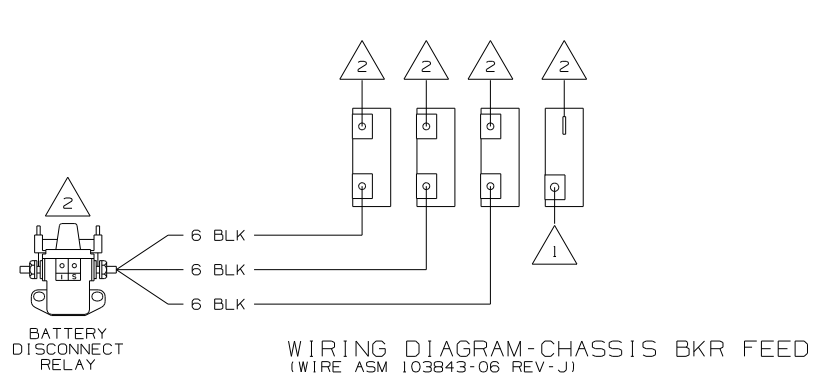
WIRING DIAGRAM-SOFA, REST EASY (WIRE ASM 136028 REV-A)



105 WIRING DIAGRAM-EXT ENT CTR (WIRE ASM 155338 REV-A)



WIRING DIAGRAM-SOFA, DBL REST EASY (WIRE ASM 139583-02 REV-D)



105 ENTERTAINMENT CENTR/EXT W/CD

|                          |                      |
|--------------------------|----------------------|
| FIRST USED               | 06 S40FD             |
| TITLE                    | DO NOT SCALE DRAWING |
| WIRING DIAGRAM-BODY, 12V |                      |
| SHEET 7                  | PART NO 154266       |

NOTES:

3 SEE MANUFACTURERS DIAGRAM FOR ADDITIONAL INFORMATION.

2 SEE SHT 2 FOR ADDITIONAL INFORMATION.

1 SEE SHT 1 FOR ADDITIONAL INFORMATION.

|             |     |
|-------------|-----|
| DRAWING NO. |     |
| 154261-01   | WIN |
| 154261-02   | ITA |

|          |                 |        |          |
|----------|-----------------|--------|----------|
| RELEASE  | REV/DATE        | DWG NO | 154261   |
| REV ZONE | REVISION RECORD | DATE   | DFTR-016 |

SWITCH-SERVICE LAMP  
108357-05-000  
ACTUATOR  
108356-02-CHT  
(8PIN HOUSING WITH  
CITCUIITS KKH,WA & KJ)

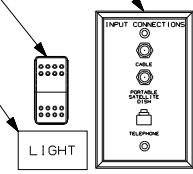
SWITCH-MONITOR  
108357-09-000  
ACTUATOR  
108356-02-CHT  
(8PIN HOUSING WITH  
CITCUIITS BBY & CCR)

SWITCH-PUMP  
108357-15-000  
ACTUATOR  
108356-04-CHT  
(8 PIN HOUSING WITH  
CITCUIITS AG,AF,JA,JS & JP)

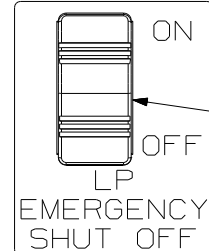
SPLITTER  
86756-01-000  
TAPE-DOUBLE SIDED  
123816-02-000  
(50 MM)

MONITOR PANEL  
129561-02-CHT  
SCREW  
G39-08-08U (2)

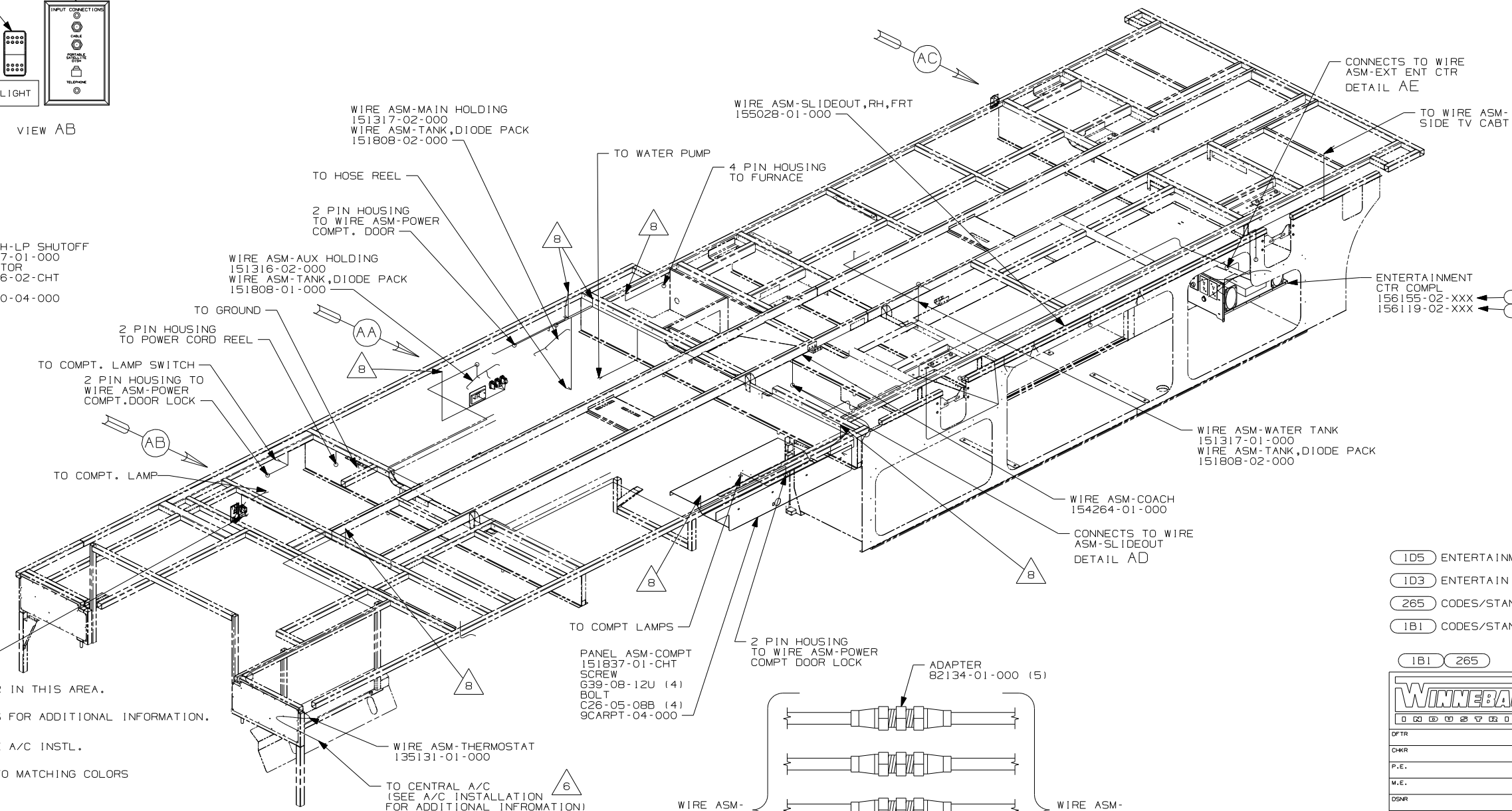
DETAIL AE



VIEW AB



VIEW AC



- (105) ENTERTAINMENT CENTR/EXT W/CO
- (103) ENTERTAINMENT CENTR/EXT TV-DVD
- (265) CODES/STANDARDS-CSA/CMVSS
- (181) CODES/STANDARDS USA

- 8 WIRES PASS UP THRU FLOOR IN THIS AREA.
- 7 SEE WIRING INSTL-CHASSIS FOR ADDITIONAL INFORMATION.
- 6 FOR MORE INFORMATION SEE A/C INSTL.
- 5 CONNECT TELEPHONE WIRE TO MATCHING COLORS ON PLATE-TELEPHONE.
- 4. FOR MORE INFORMATION SEE WIRING DIAGRAM-BODY,110V.
- 3. ALL GROUND WIRE TO BE COVERED WITH TUBING 8041-02-000.
- 2. ALL 110V WIRE TO BE CLAMPED WITH CLAMP 10497-05-000 WITHIN 200 OF OUTLET BOXES, USE SCREW G67-10-12B.
- 1. ALL WIRES TO BE SECURED WITH CLAMP 10495 OR 10497 OR WIRE TIE 8343 OR 108046 EVERY 600MM, USE SCREW G67-XX-XXX OR G56-XX-XXX AS APPROPRIATE FOR INSTALLATION.

NOTES:

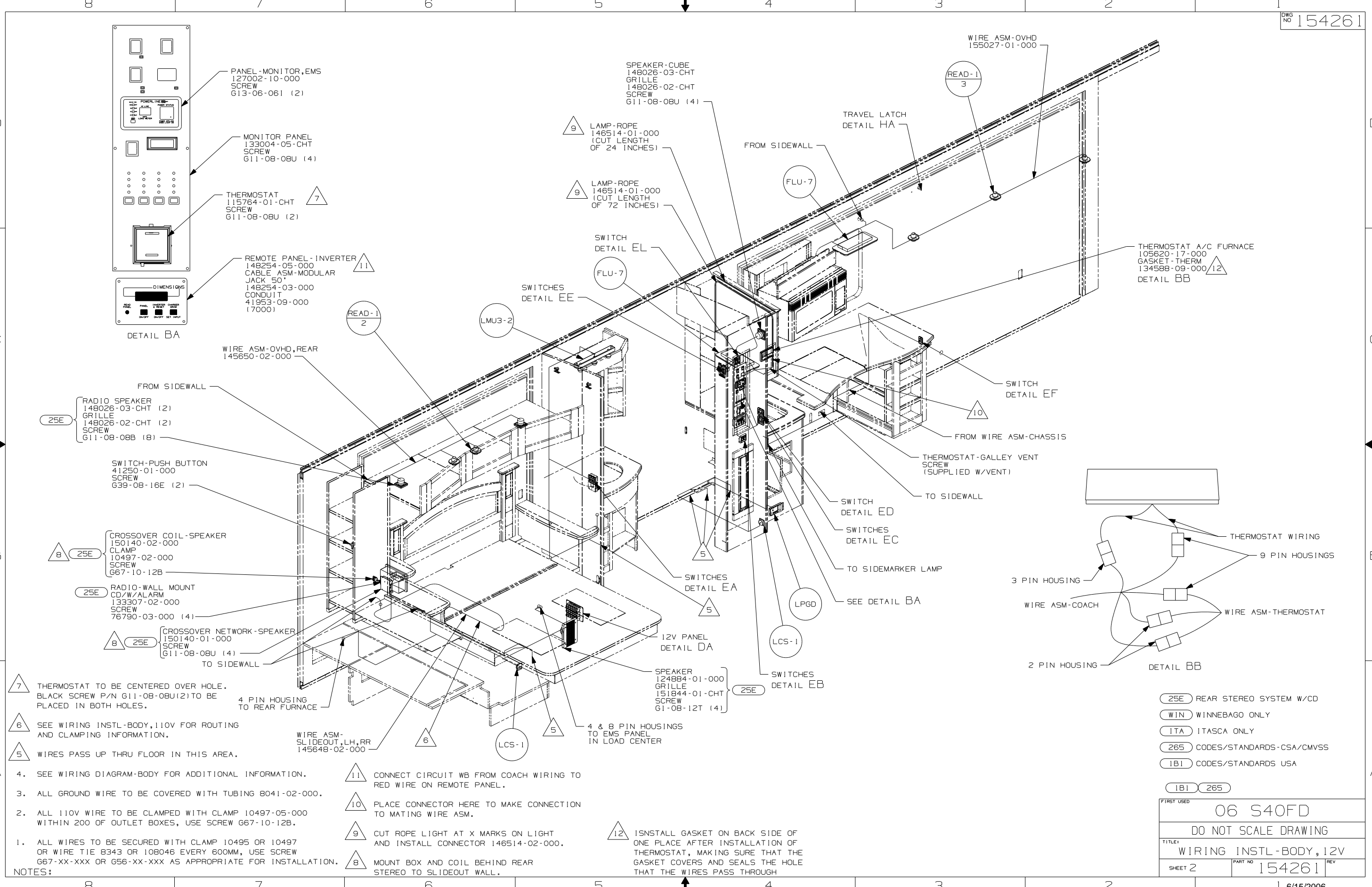
|   |                                   |
|---|-----------------------------------|
| COPYRIGHT 2006 WINNEBAGO INDUSTRIES, INC. |                                   |
| DFTB                                      | ORIG. DATE                        |
| CHKR                                      | ALL DIMENSIONS ARE IN MILLIMETERS |
| P.E.                                      |                                   |
| M.E.                                      | FIRST USED                        |
| DSNR                                      | 06 S40FD                          |
| UNSPECIFIED TOLERANCES ARE:               | MATERIAL:                         |
| HOLE DIM (X)                              |                                   |
| ONE-PLACE (X.X)                           |                                   |
| TWO-PLACE (X.XX)                          |                                   |
| ANGLE                                     |                                   |
| THIRD ANGLE PROJECTION                    |                                   |
| DO NOT SCALE DRAWING                      |                                   |
| TITLE:                                    | WIRING INSTL-BODY,12V             |
| SHEET 1 OF 8                              | PART NO 154261                    |

FOR ELECTRICAL TORQUE SPECIFICATIONS SEE DWG NO. 128783-01-000



FOR ELECTRICAL CALLOUTS SEE DWG NO. 121339-01-000

DETAIL AD



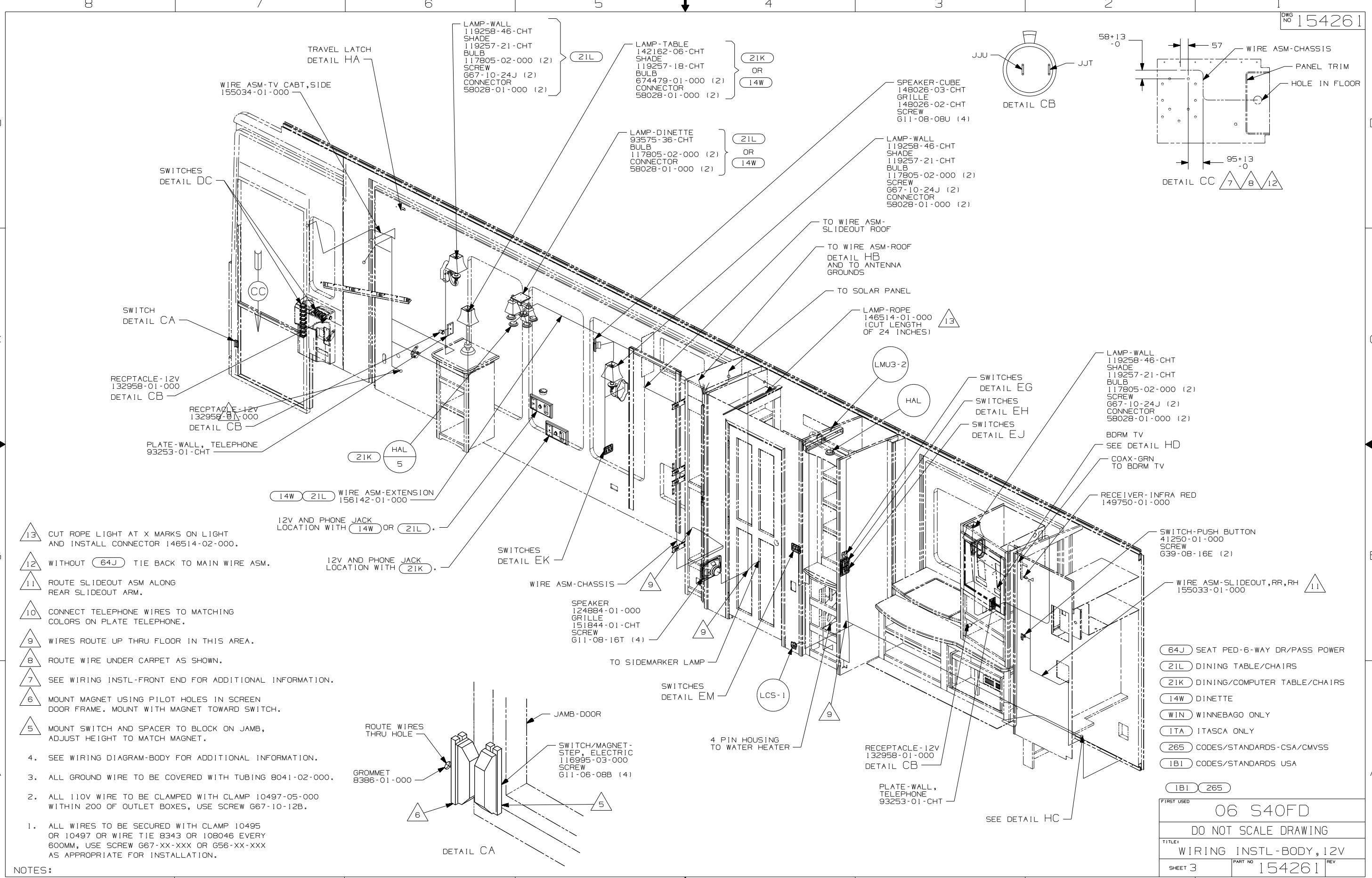
- 7 THERMOSTAT TO BE CENTERED OVER HOLE. BLACK SCREW P/N G11-08-08U(2) TO BE PLACED IN BOTH HOLES.
- 6 SEE WIRING INSTL-BODY, 110V FOR ROUTING AND CLAMPING INFORMATION.
- 5 WIRES PASS UP THRU FLOOR IN THIS AREA.
- 4. SEE WIRING DIAGRAM-BODY FOR ADDITIONAL INFORMATION.
- 3. ALL GROUND WIRE TO BE COVERED WITH TUBING 8041-02-000.
- 2. ALL 110V WIRE TO BE CLAMPED WITH CLAMP 10497-05-000 WITHIN 200 OF OUTLET BOXES, USE SCREW G67-10-12B.
- 1. ALL WIRES TO BE SECURED WITH CLAMP 10495 OR 10497 OR WIRE TIE 8343 OR 108046 EVERY 600MM, USE SCREW G67-XX-XXX OR G56-XX-XXX AS APPROPRIATE FOR INSTALLATION.

- 11 CONNECT CIRCUIT WB FROM COACH WIRING TO RED WIRE ON REMOTE PANEL.
- 10 PLACE CONNECTOR HERE TO MAKE CONNECTION TO MATING WIRE ASM.
- 9 CUT ROPE LIGHT AT X MARKS ON LIGHT AND INSTALL CONNECTOR 146514-02-000.
- 8 MOUNT BOX AND COIL BEHIND REAR STEREO TO SLIDEOUT WALL.

12 INSTALL GASKET ON BACK SIDE OF ONE PLACE AFTER INSTALLATION OF THERMOSTAT, MAKING SURE THAT THE GASKET COVERS AND SEALS THE HOLE THAT THE WIRES PASS THROUGH

- 25E REAR STEREO SYSTEM W/CD
- WIN WINNEBAGO ONLY
- 1TA ITASCA ONLY
- 265 CODES/STANDARDS-CSA/CMVSS
- 1B1 CODES/STANDARDS USA

|                                  |                |
|----------------------------------|----------------|
| FIRST USED                       |                |
| 06 S40FD                         |                |
| DO NOT SCALE DRAWING             |                |
| TITLE:<br>WIRING INSTL-BODY, 12V |                |
| SHEET 2                          | PART NO 154261 |

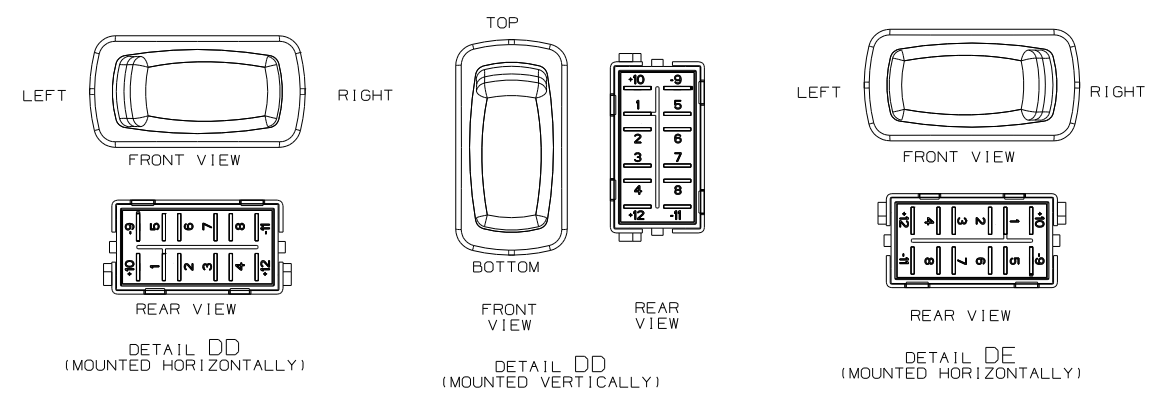
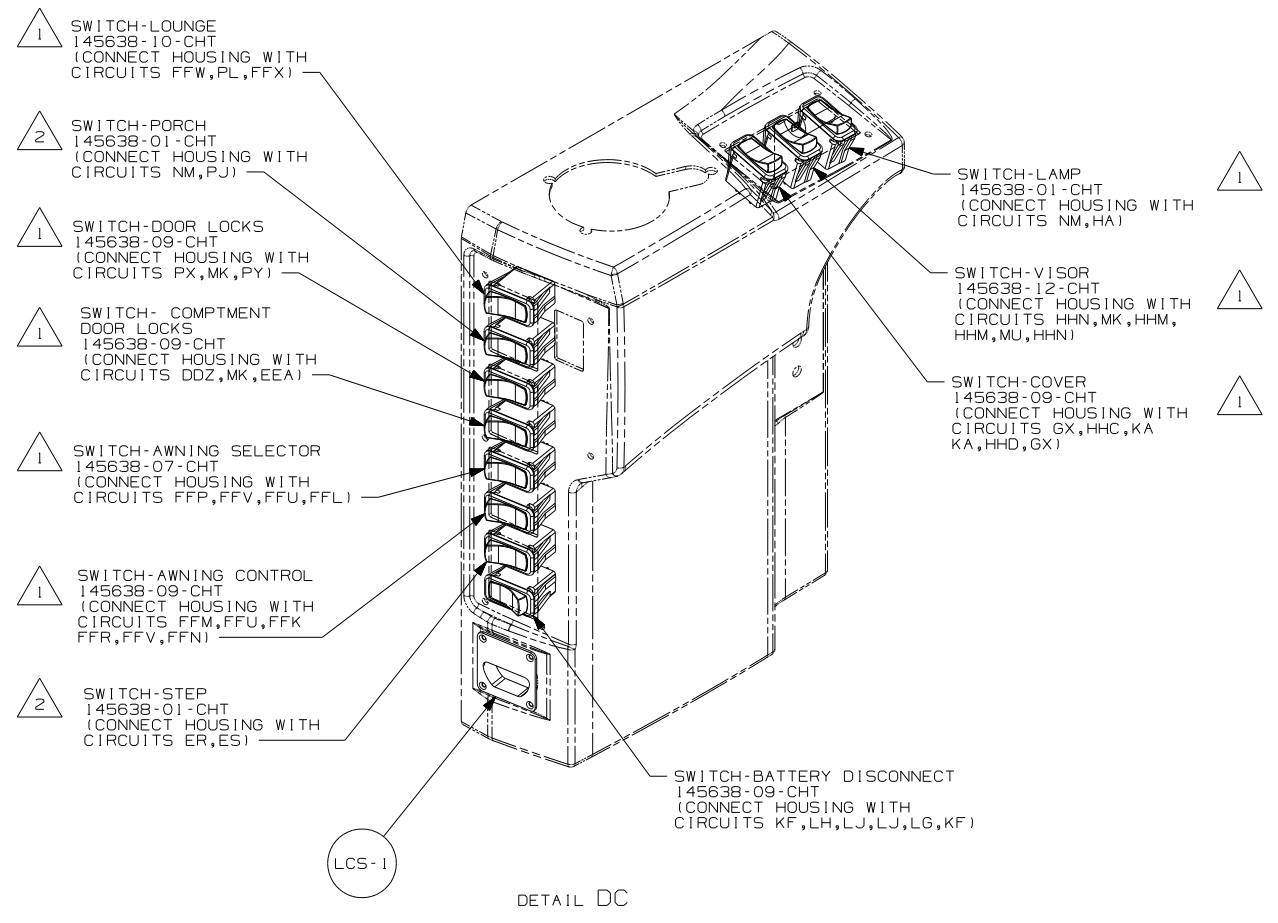
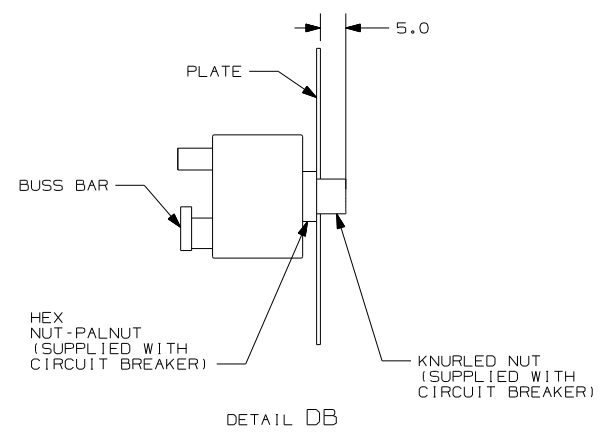
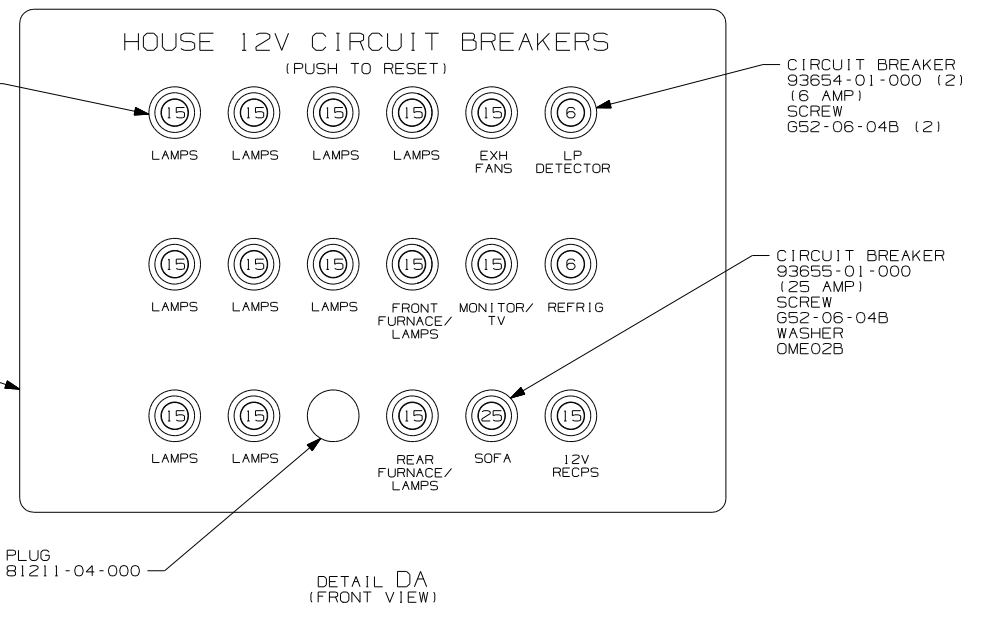
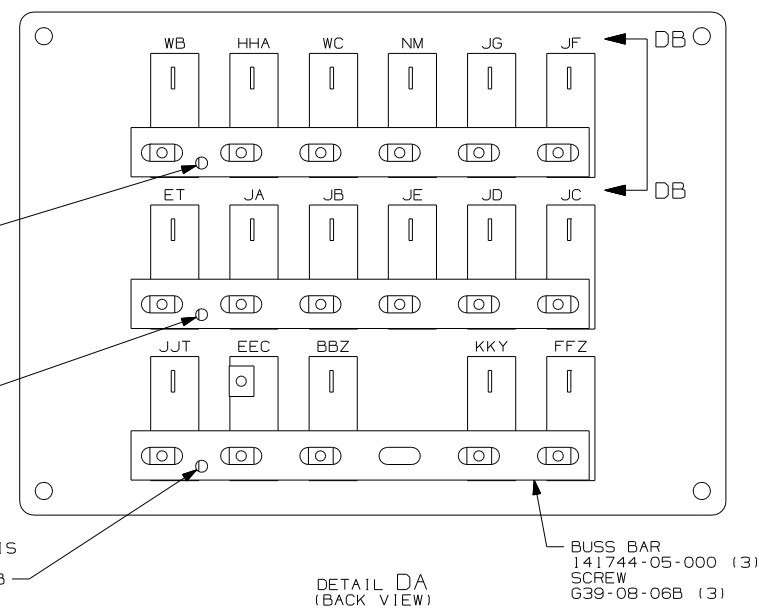


- 13 CUT ROPE LIGHT AT X MARKS ON LIGHT AND INSTALL CONNECTOR 146514-02-000.
  - 12 WITHOUT (64J) TIE BACK TO MAIN WIRE ASM.
  - 11 ROUTE SLIDEOUT ASM ALONG REAR SLIDEOUT ARM.
  - 10 CONNECT TELEPHONE WIRES TO MATCHING COLORS ON PLATE TELEPHONE.
  - 9 WIRES ROUTE UP THRU FLOOR IN THIS AREA.
  - 8 ROUTE WIRE UNDER CARPET AS SHOWN.
  - 7 SEE WIRING INSTL-FRONT END FOR ADDITIONAL INFORMATION.
  - 6 MOUNT MAGNET USING PILOT HOLES IN SCREEN DOOR FRAME. MOUNT WITH MAGNET TOWARD SWITCH.
  - 5 MOUNT SWITCH AND SPACER TO BLOCK ON JAMB, ADJUST HEIGHT TO MATCH MAGNET.
4. SEE WIRING DIAGRAM-BODY FOR ADDITIONAL INFORMATION.
  3. ALL GROUND WIRE TO BE COVERED WITH TUBING 8041-02-000.
  2. ALL 110V WIRE TO BE CLAMPED WITH CLAMP 10497-05-000 WITHIN 200 OF OUTLET BOXES, USE SCREW G67-10-12B.
  1. ALL WIRES TO BE SECURED WITH CLAMP 10495 OR 10497 OR WIRE TIE 8343 OR 108046 EVERY 600MM, USE SCREW G67-XX-XXX OR G56-XX-XXX AS APPROPRIATE FOR INSTALLATION.

NOTES:

- (64J) SEAT PED-6-WAY DR/PASS POWER
- (21L) DINING TABLE/CHAIRS
- (21K) DINING/COMPUTER TABLE/CHAIRS
- (14W) DINETTE
- (WIN) WINNEBAGO ONLY
- (ITA) ITASCA ONLY
- (265) CODES/STANDARDS-CSA/CMVSS
- (1B1) CODES/STANDARDS USA

|                                  |         |          |     |
|----------------------------------|---------|----------|-----|
| FIRST USED                       |         | 06 S40FD |     |
| DO NOT SCALE DRAWING             |         |          |     |
| TITLE:<br>WIRING INSTL-BODY, 12V |         |          |     |
| SHEET 3                          | PART NO | 154261   | REV |

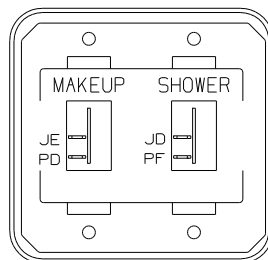


NOTES:  
 2 FOR SWITCH ORIENTATION SEE DETAIL DE.  
 1 FOR SWITCH ORIENTATION SEE DETAIL DD.

43W CABINET-LAVATORY  
 43V CABINET-CHEST OF DRAWERS

|                                  |         |          |     |
|----------------------------------|---------|----------|-----|
| FIRST USED                       |         | 06 S40FD |     |
| DO NOT SCALE DRAWING             |         |          |     |
| TITLE:<br>WIRING INSTL-BODY, 12V |         |          |     |
| SHEET 4                          | PART NO | 154261   | REV |





SWITCH-ROCKER  
135740-01-CHT (2)  
SWITCH-BASE  
135741-02-CHT  
SWITCH-BEZEL  
135742-20-CHT  
SCREW  
G11-08-08U (4)

DETAIL EA

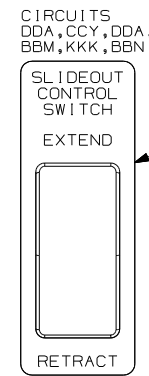
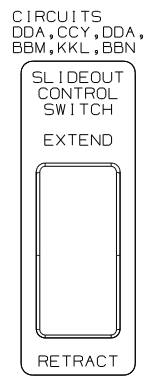
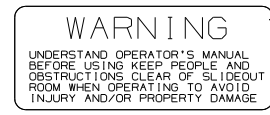
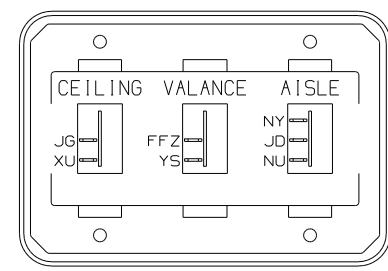


PLATE-SWITCH  
144363-09-CHT (2)  
SWITCH  
108357-06-000 (2)  
ACTUATOR  
108356-02-CHT (2)  
NUT  
D65-08-00B (2)  
LABEL  
116220-01-000 (2)



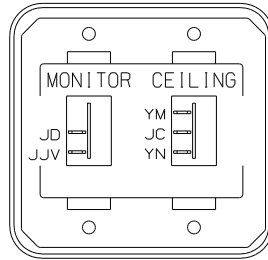
LABEL-WARNING  
116549-02-000

DETAIL EE



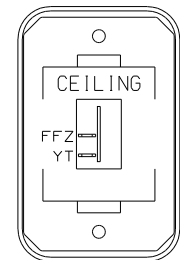
SWITCH-ROCKER  
135740-01-CHT (2)  
135740-02-CHT  
SWITCH-BASE  
135741-03-CHT  
SWITCH-BEZEL  
135742-22-CHT  
SCREW  
G11-08-08U (4)

DETAIL EK



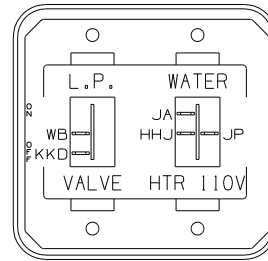
SWITCH-ROCKER  
135740-01-CHT  
135740-02-CHT  
SWITCH-BASE  
135741-02-CHT  
SWITCH-BEZEL  
135742-31-CHT  
SCREW  
G11-08-08U (4)

DETAIL EB



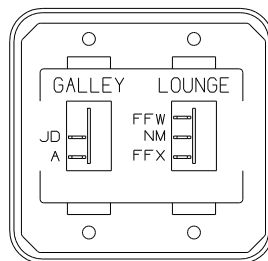
SWITCH-ROCKER  
135740-01-CHT  
SWITCH-BASE  
135741-01-CHT  
SWITCH-BEZEL  
135742-07-CHT  
SCREW  
G11-08-08U (2)

DETAIL EF



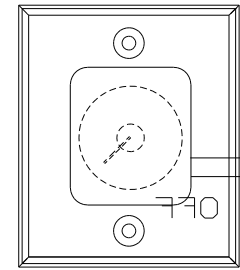
SWITCH-ROCKER  
135740-01-CHT  
135740-06-CHT  
SWITCH-BASE  
135741-02-CHT  
SWITCH-BEZEL  
135742-34-CHT  
SCREW  
G11-08-08U (4)

DETAIL EL



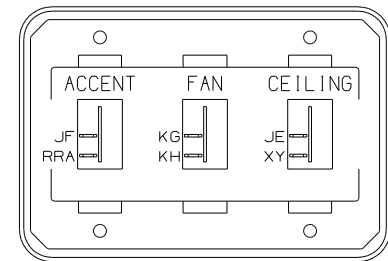
SWITCH-ROCKER  
135740-01-CHT  
135740-02-CHT  
SWITCH-BASE  
135741-02-CHT  
SWITCH-BEZEL  
135742-18-CHT  
SCREW  
G11-08-08U (4)

DETAIL EC



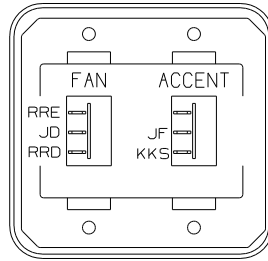
SWITCH  
137889-01-000  
SCREW  
G11-06-10U (2)

DETAIL EG



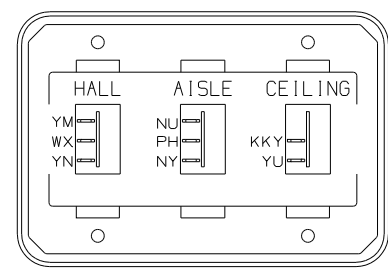
SWITCH-ROCKER  
135740-01-CHT (3)  
SWITCH-BASE  
135741-03-CHT  
SWITCH-BEZEL  
135742-48-CHT  
SCREW  
G11-08-08U (4)

DETAIL EM



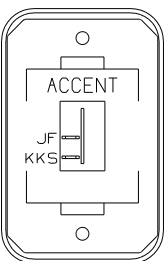
SWITCH-ROCKER  
135740-01-CHT  
135740-04-CHT  
SWITCH-BASE  
135741-01-CHT  
SWITCH-BEZEL  
135742-49-CHT  
SCREW  
G11-06-16U (4)  
WIRE ASM-RESISTOR,FAN  
140195-01-000

DETAIL ED (39Y)



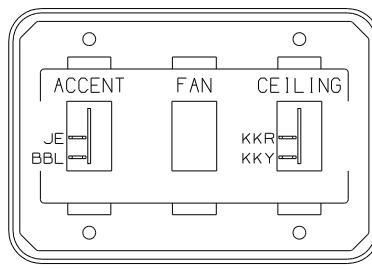
SWITCH-ROCKER  
135740-01-CHT  
135740-02-CHT (2)  
SWITCH-BASE  
135741-03-CHT  
SWITCH-BEZEL  
135742-25-CHT  
SCREW  
G11-08-08U (4)

DETAIL EH



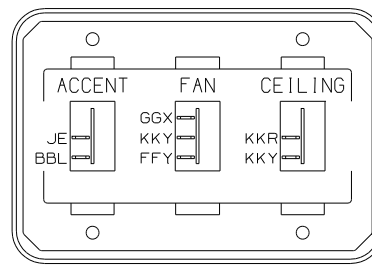
SWITCH-ROCKER  
135740-01-CHT  
SWITCH-BASE  
135741-01-CHT  
SWITCH-BEZEL  
135742-50-CHT  
SCREW  
G11-08-08U (2)

DETAIL ED (39B)



SWITCH-ROCKER  
135740-01-CHT (2)  
SWITCH-BLANK  
145754-01-CHT  
SWITCH-BASE  
135741-03-CHT  
SWITCH-BEZEL  
135742-48-CHT  
SCREW  
G11-08-08U (4)

DETAIL EJ



SWITCH-ROCKER  
135740-01-CHT (2)  
135740-04-CHT  
SWITCH-BASE  
135741-03-CHT  
SWITCH-BEZEL  
135742-48-CHT  
SCREW  
G11-08-08U (4)  
WIRE ASM-RESISTOR,FAN  
140195-01-000

DETAIL EJ (41Y)

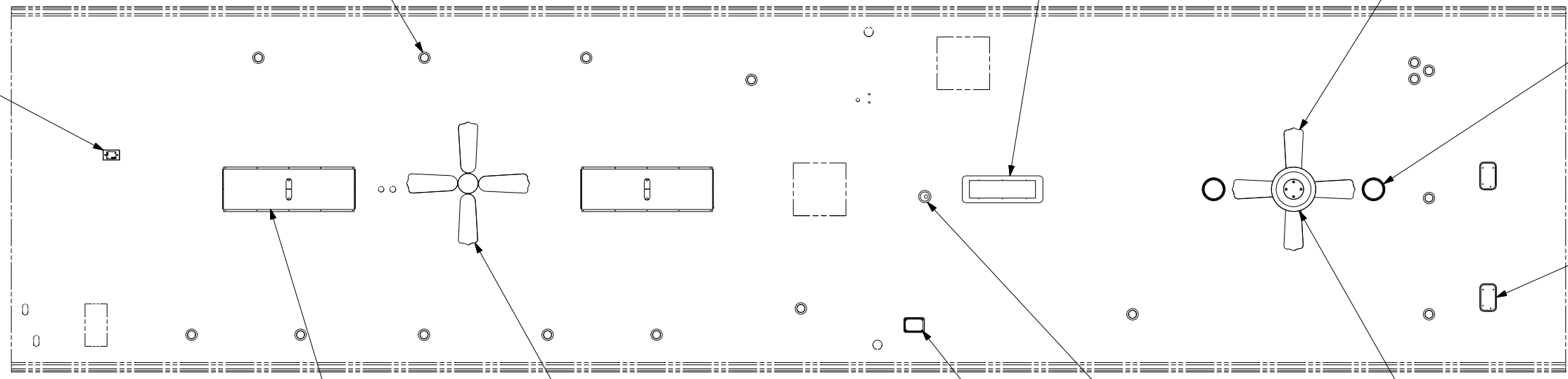
- (41Y) FAN - CEILING\_BEDROOM
- (39Y) FAN - CEILING LOUNGE
- (39B) FAN-CEILING-WITHOUT
- (265) CODES/STANDARDS-CSA/CMVSS
- (1B1) CODES/STANDARDS USA

(1B1) (265)

|                        |                      |
|------------------------|----------------------|
| FIRST USED             | 06 S40FD             |
| TITLE                  | DO NOT SCALE DRAWING |
| WIRING INSTL-BODY, 12V |                      |
| SHEET 5                | PART NO 154261 REV   |

NOTES: 1 CONNECT WIRE ASM-RESISTOR,FAN TO 2 PIN HOUSING LOCATED BY THE SWITCH WIRES.

SATILLITE ELEVATION SENSOR  
DETAIL GA



FAN  
139134-SCREW  
G39-10-16U (3)  
CONNECTOR  
58028-01-000 (2)  
DETAIL HE  
(CIRCUIT PC NOT USED)

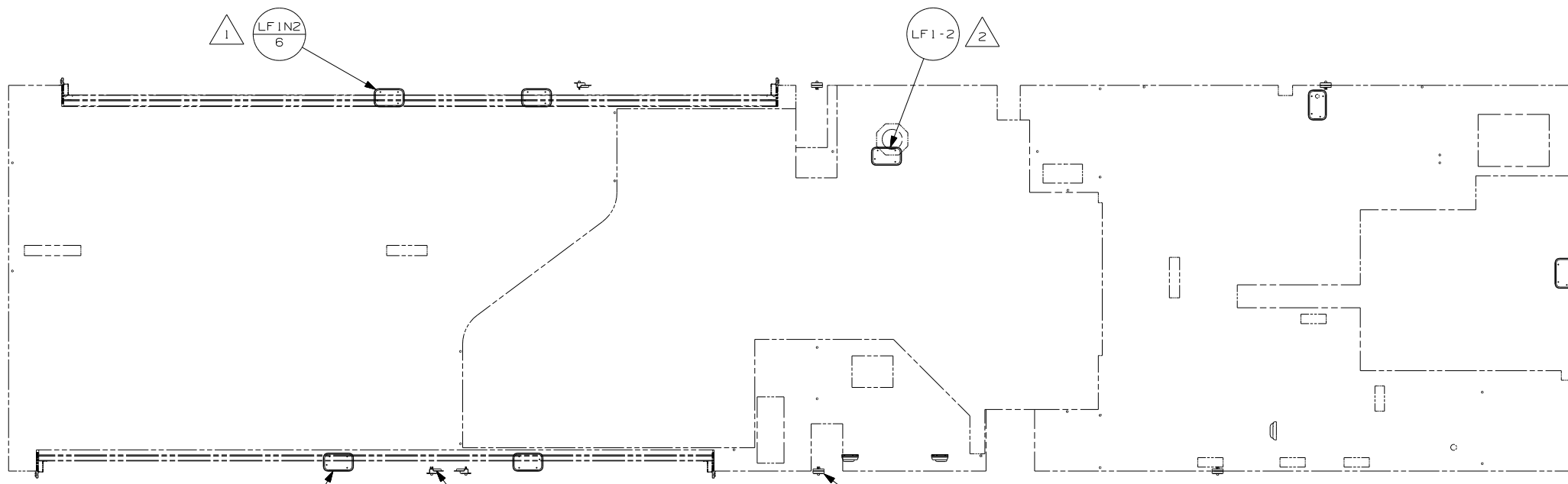
LIGHT-CEILING  
93575-40-CHT (2)  
BULB  
117805-02-000 (2)  
SCREW  
G39-08-16U (4)  
CONNECTOR  
58028-01-000 (4)

LIGHT-FLUORESCENT  
133416-04-000 (4)  
BULB  
(SUPPLIED WITH LAMP)  
BRACKET  
133077-02-CHT (2)  
SCREW  
G39-08-12U (20)

FAN  
139134-SCREW  
G39-10-16U (3)  
CONNECTOR  
58028-01-000 (2)  
DETAIL HF

LIGHT  
146048-01-000  
SCREW  
G11-08-16U (2)  
CONNECTOR  
58028-01-000 (2)

LIGHT  
93575-33-CHT  
BULB  
117805-02-000 (4)  
SCREW  
G39-08-32U (4)  
CONNECTOR  
58028-01-000 (2)



WASHER-PLASTIC  
87080-02-CHT (6)

SWITCH-PUSHBUTTON  
41250-01-000 (2)  
BRACKET-SWITCH,LIGHT  
138494-01-CHT (2)  
SCREW  
G39-08-12T (4)  
G55-08-12B (4)  
SCREW COVER  
93249-01-000 (8)  
WASHER-PLASTIC  
87080-02-CHT (2)

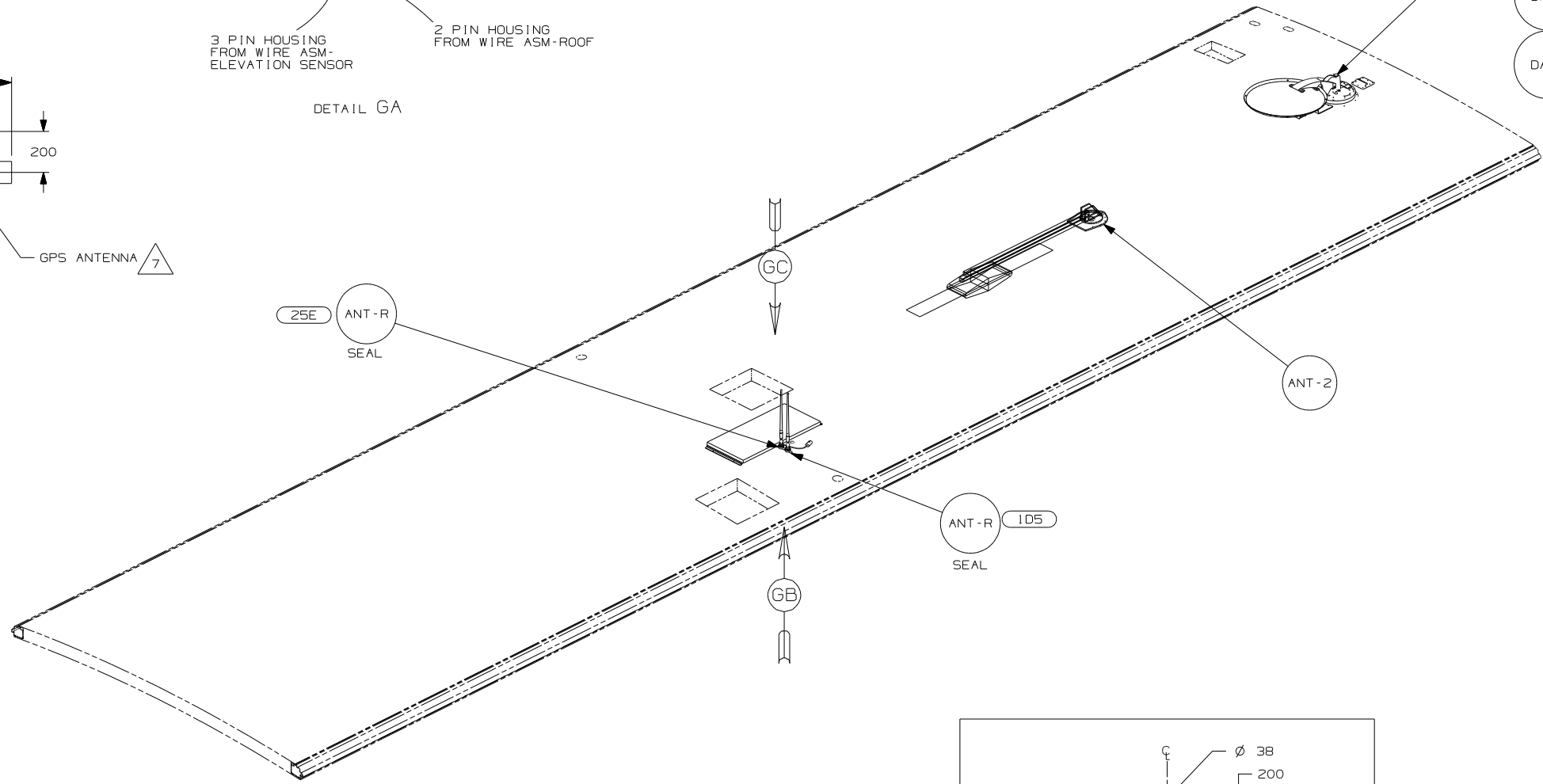
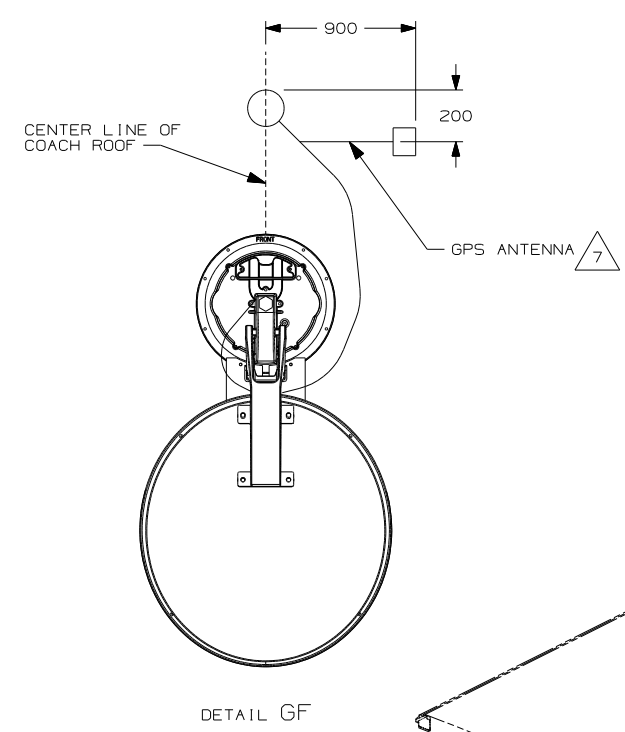
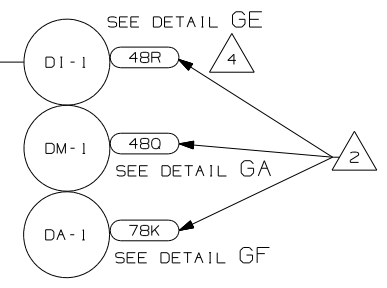
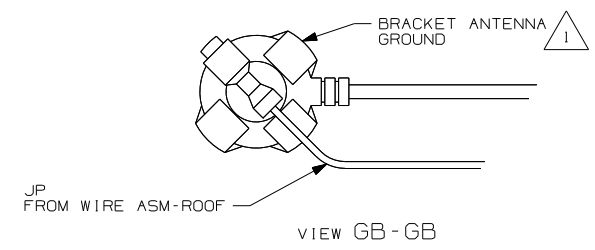
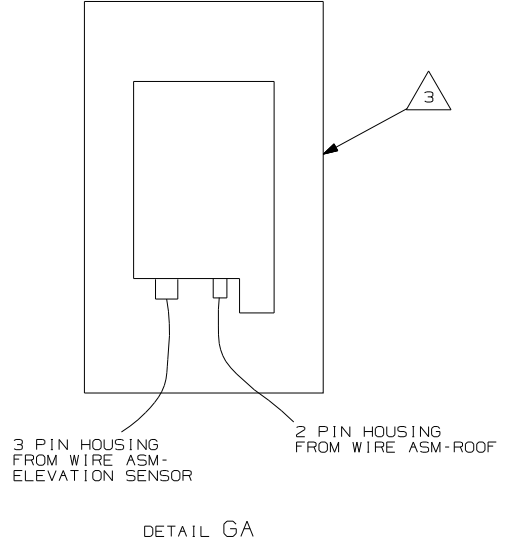
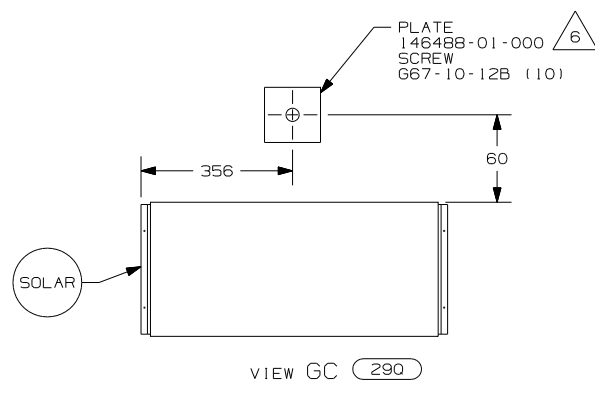
SWITCH-PUSHBUTTON  
41250-01-000 (5)  
BRACKET-SWITCH,LIGHT  
138494-01-CHT (5)  
SCREW  
G39-08-12T (10)  
G55-08-12B (10)  
SCREW COVER  
93249-01-000 (20)

- 412 DECORATIVE LIGHT - CEILING
- 41Y FAN - CEILING\_BEDROOM
- 39Y FAN - CEILING LOUNGE
- 265 CODES/STANDARDS-CSA/CMVSS
- 1B1 CODES/STANDARDS USA

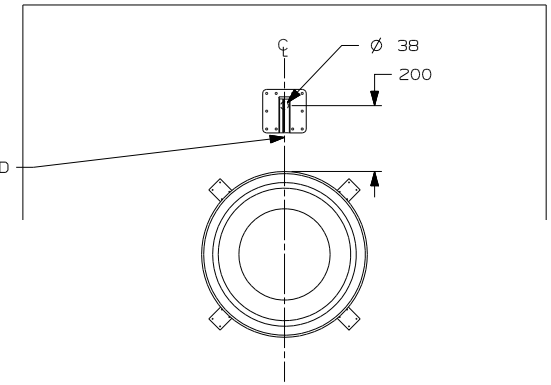
- 4 APPLY LOCTITE P/N 62917-06-000 TO FAN BLADES MOUNTING NUT THREADS.
- 3 CENTER FAN OVER 25mm HOLE IN ROOF.
- 2 LIGHT MOUNTED ON PANEL ASM-COMPT.
- 1 LAMPS TO BE MOUNTED 75±20 FROM EDGE OF FLOOR.

NOTES:

|            |                        |        |     |
|------------|------------------------|--------|-----|
| FIRST USED | 06 S40FD               |        |     |
| TITLE      | DO NOT SCALE DRAWING   |        |     |
| TITLE      | WIRING INSTL-BODY, 12V |        |     |
| SHEET 6    | PART NO                | 154261 | REV |



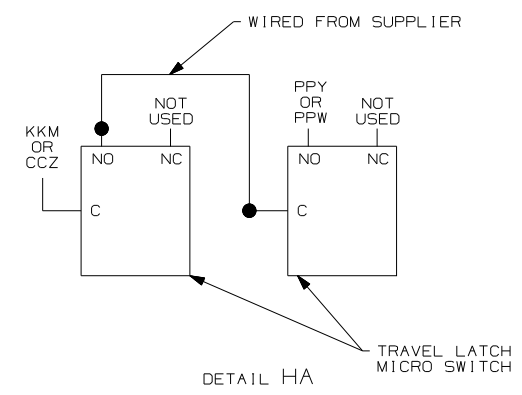
THE COAX CONNECTION IS TO BE PLACED ON THE CENTERLINE OF THE MOTORHOME FACING FORWARD



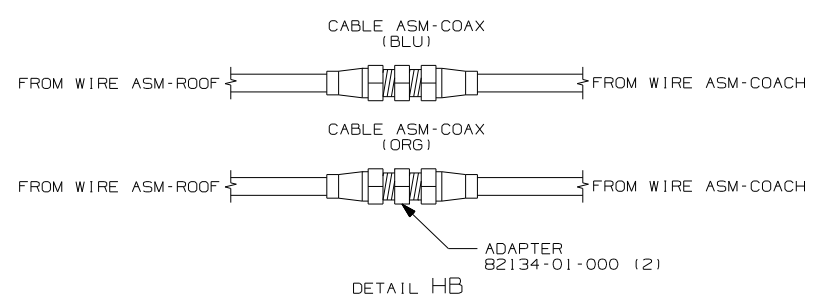
- NOTES:
- 7 MOUNT GPS ANTENNA TO THE RIGHT OF THE SATELLITE AS SHOWN. SECURE CABLE WITH ROOF SEALANT.
  - 6 SEAL
  - 5 REMOVE ALL SHIPPING RESTRAINTS AND FIRMLY INSERT THE SUPPLIED PLUGS INTO THE APPROPRIATE SIZED HOLES AS SPECIFIED IN THE INSTALLATION PROCESS.
  - 4 SEE DETAIL GE FOR SATELLITE LOCATION.
  - 3 SENSOR SUPPLIED WITH SATELLITE ASSEMBLY.
  - 2 SEE MANUFACTURER'S INSTALLATION FOR ADDITIONAL INFORMATION.
  - 1 WRAP BRACKET LEGS AROUND ANTENNA BASE.

- 48R SAT. SYS. IN-MOTION W/O RCVR.
- 290 SOLAR PANEL - 10 WATT
- 25E REAR STEREO SYSTEM W/CD
- 105 ENTERTAINMENT CTR/EXT W/CD
- 78K SATELLITE DISH-AUTOMATIC
- 480 SATELLITE DISH & ELEV.SENSOR
- 265 CODES/STANDARDS-CSA/CMVSS
- 1B1 CODES/STANDARDS USA

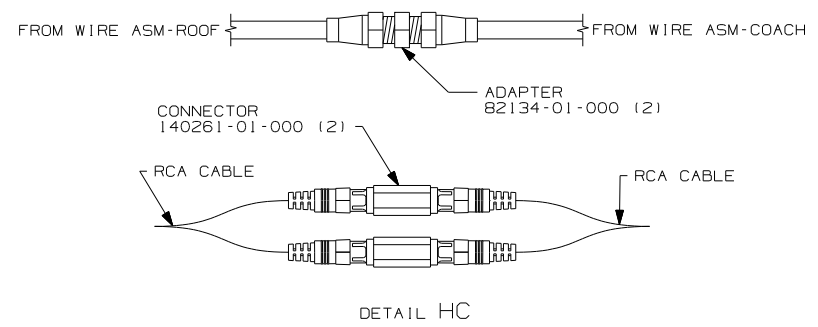
|                                 |         |          |     |
|---------------------------------|---------|----------|-----|
| FIRST USED                      |         | 06 S40FD |     |
| DO NOT SCALE DRAWING            |         |          |     |
| TITLE: WIRING INSTL - BODY, 12V |         |          |     |
| SHEET 7                         | PART NO | 154261   | REV |



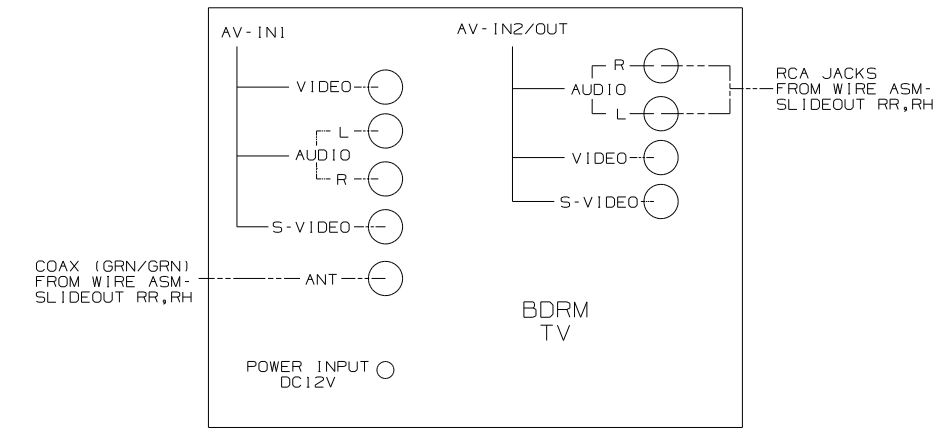
DETAIL HA



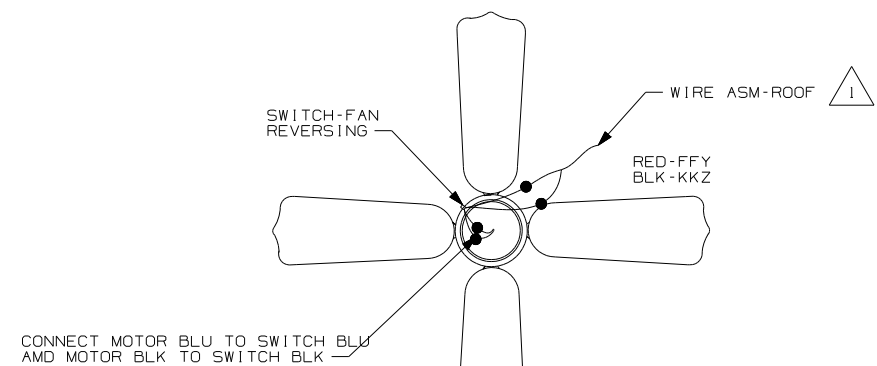
DETAIL HB



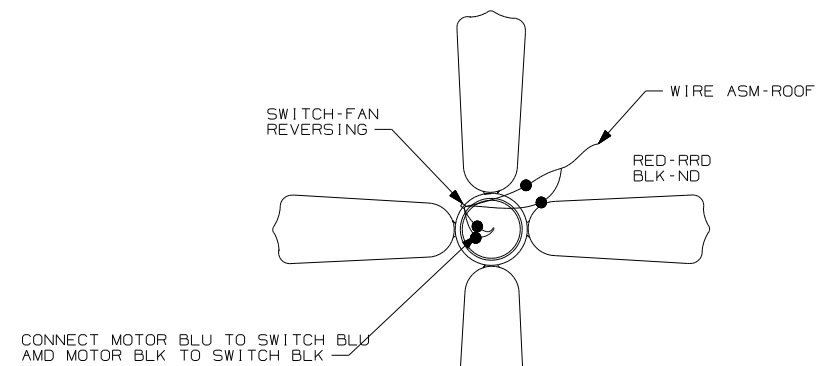
DETAIL HC



DETAIL HD 2



DETAIL HE



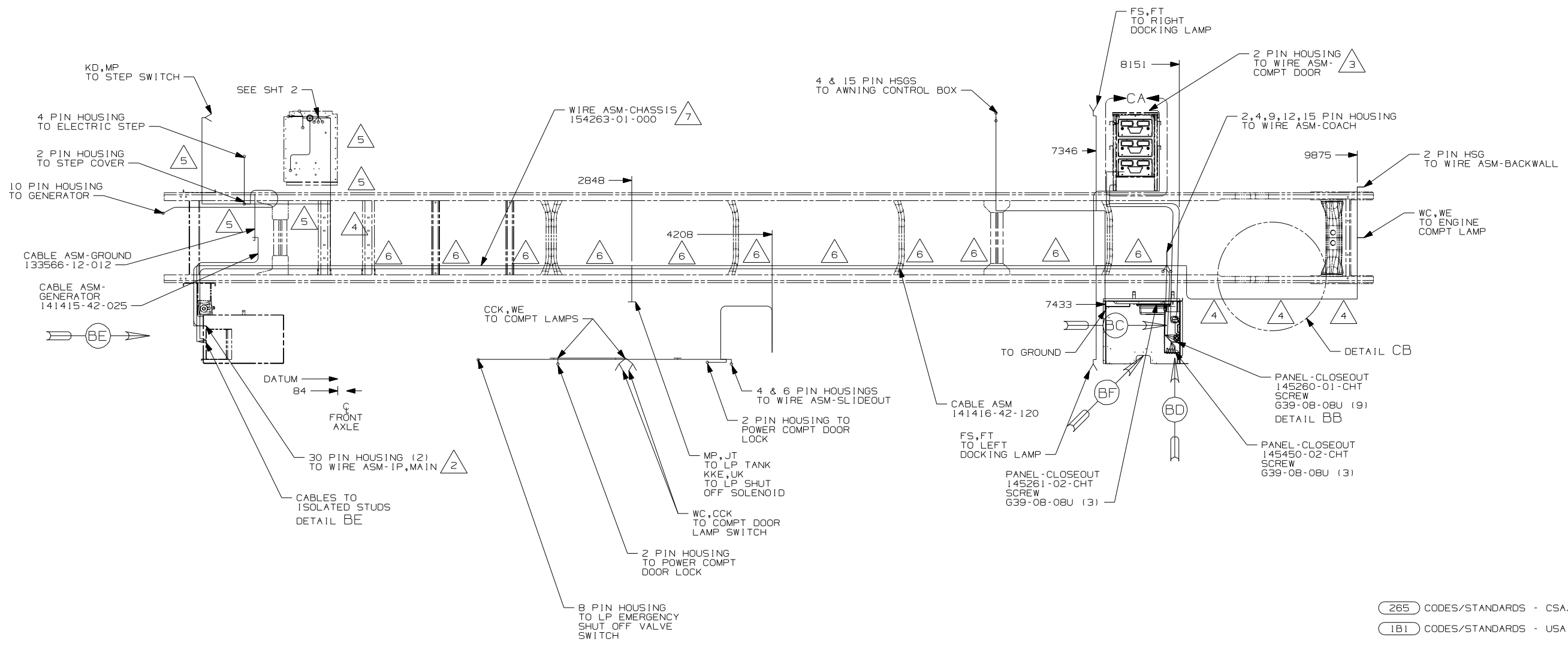
DETAIL HF

2 AV2-IN/OUT NEEDS TO BE SET AS AN OUTPUT TERMINAL. SELECT "PRESET" IN THE MENU AND SET AV2-IN/OUT TO "OUT". ONCE THIS IS DONE THE OUTPUT VOLUME IS VARIABLE AND THE TV SPEAKERS ARE MUTE. SEE TELEVISION OWNERS MANUAL FOR ADDITIONAL INFORMATION.

1 TIE BACK CIRCUIT PC.

NOTES:

|                      |                          |        |     |
|----------------------|--------------------------|--------|-----|
| FIRST USED           | 06 S40FD                 |        |     |
| DO NOT SCALE DRAWING |                          |        |     |
| TITLE:               | WIRING INSTL - BODY, 12V |        |     |
| SHEET 8              | PART NO                  | 154261 | REV |



- 7 REST WIRE IN FRAME RAIL WHEN APPLICABLE.
- 6 CLAMP 83610-01-000, SCREW G39-08-12B
- 5 CLAMP 10497-03-000, SCREW G39-08-12B
- 4 USE TIE-WIRE 8343-04-000 TO SECURE WIRES TO FLOOR SUPPORT FRAME AT LEAST ONCE EVERY 600MM.
- 3 ROUTE AND CLAMP WIRE ALONG UPPER TUBE IN BATTERY COMPT.
- 2 SEE WIRING INSTL-FRONT END FOR ADDITIONAL INFORMATION.

1. LEGEND: — WINNEBAGO: - - - - - CABLE: - - - - - CHASSIS SUPPLIED WIRING.

NOTES:

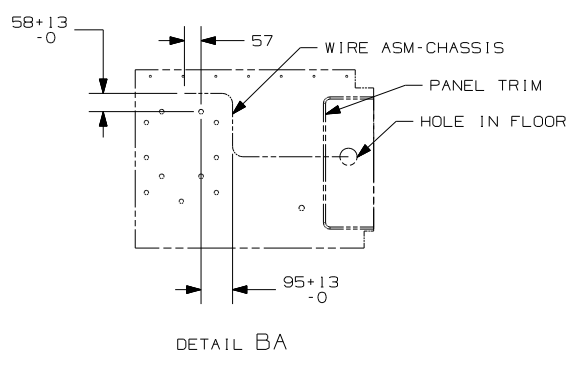
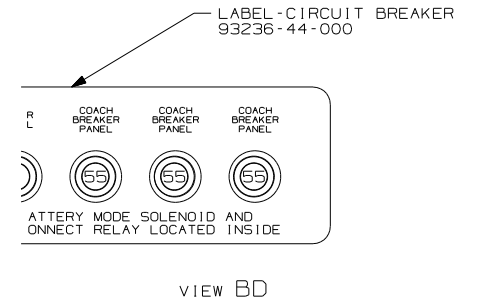
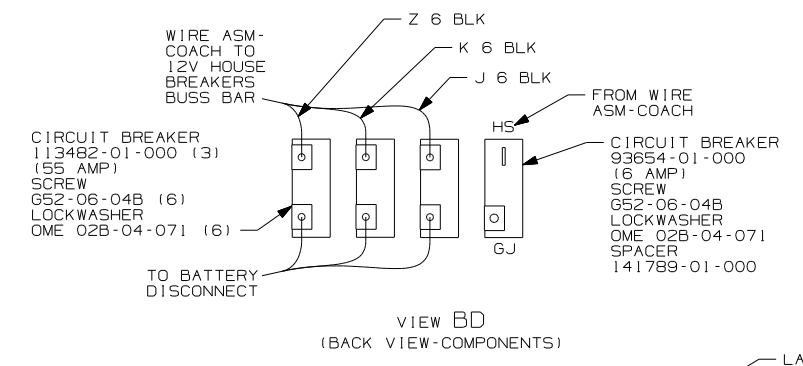
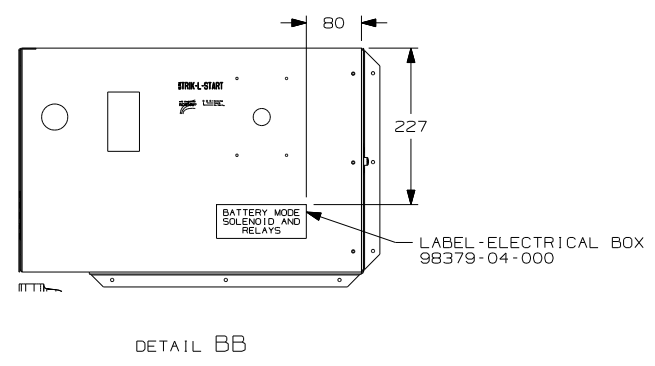
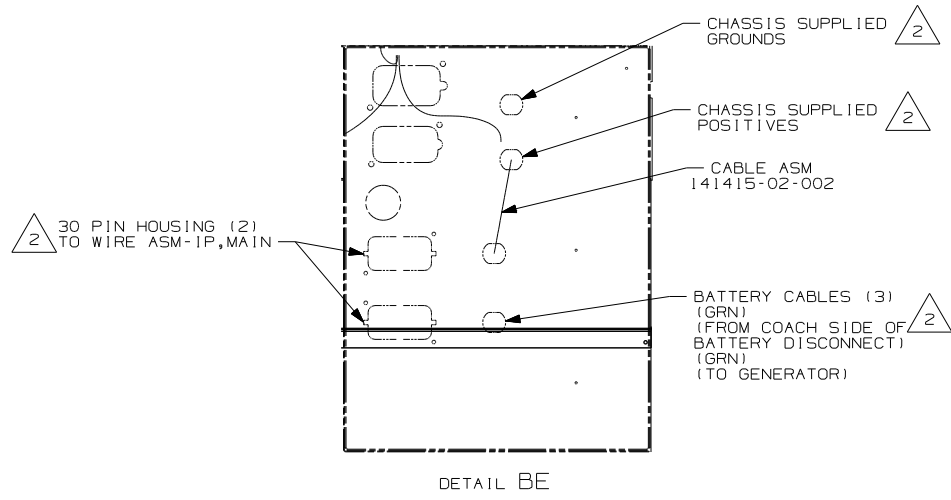
265 CODES/STANDARDS - CSA/CMVSS  
 1B1 CODES/STANDARDS - USA  
 1B1 265

|                             |                                      |   |
|-----------------------------|--------------------------------------|---|
|                             |                                      | COPYRIGHT 2006<br>WINNEBAGO<br>INDUSTRIES, INC. |
| DFTR                        | ORIG. DATE                           |   |
| CHKR                        | ALL DIMENSIONS ARE<br>IN MILLIMETERS |   |
| P.E.                        | FIRST USED                           | 06 S40FD  |
| M.E.                        |                                      |   |
| DSNR                        |                                      |   |
| UNSPECIFIED TOLERANCES ARE: | MATERIAL:                            |   |
| WHOLE DIM (X) :             |                                      |   |
| ONE-PLACE (X.X) :           |                                      |   |
| TWO-PLACE (X.XX) :          |                                      |   |
| ANGLE :                     |                                      |   |
| THIRD ANGLE<br>PROJECTION   |                                      |   |
| DO NOT SCALE DRAWING        |                                      |   |
| TITLE: WIRING INSTL-CHASSIS |                                      |   |
| SHEET 1 of 3                | PART NO                              | REV   |
|                             | 154260                               |   |
| REF:                        | 1 6/15/2006                          |   |

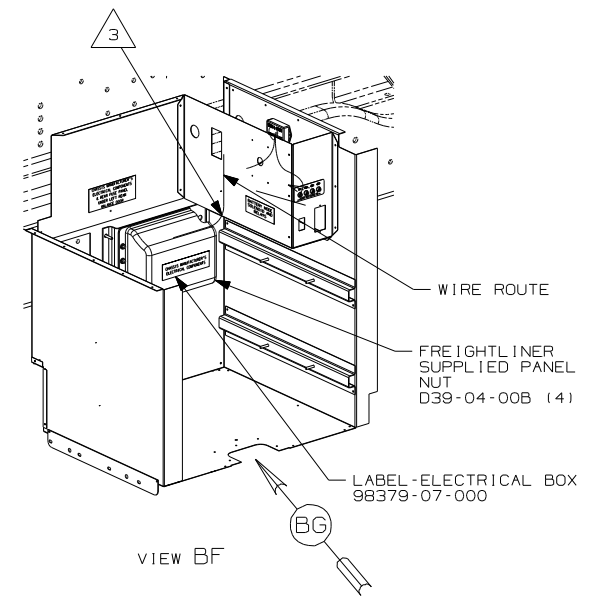
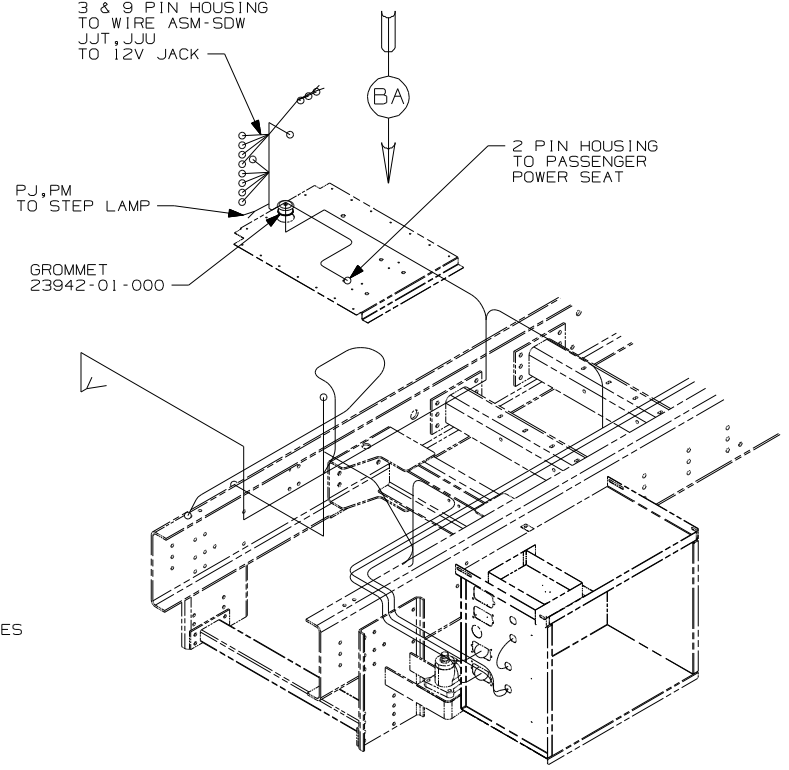
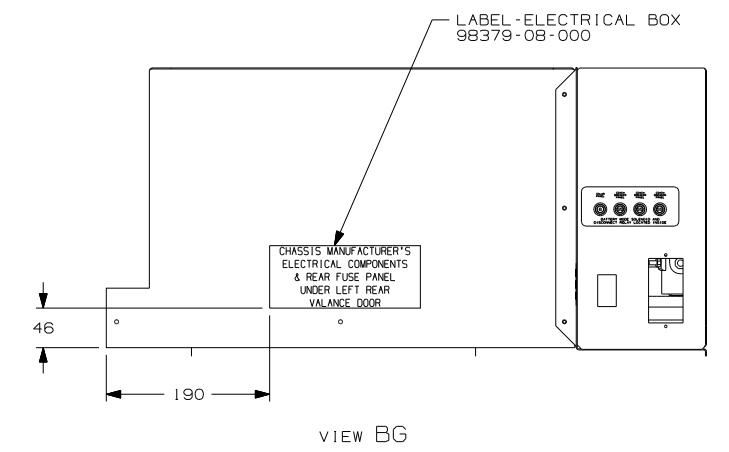
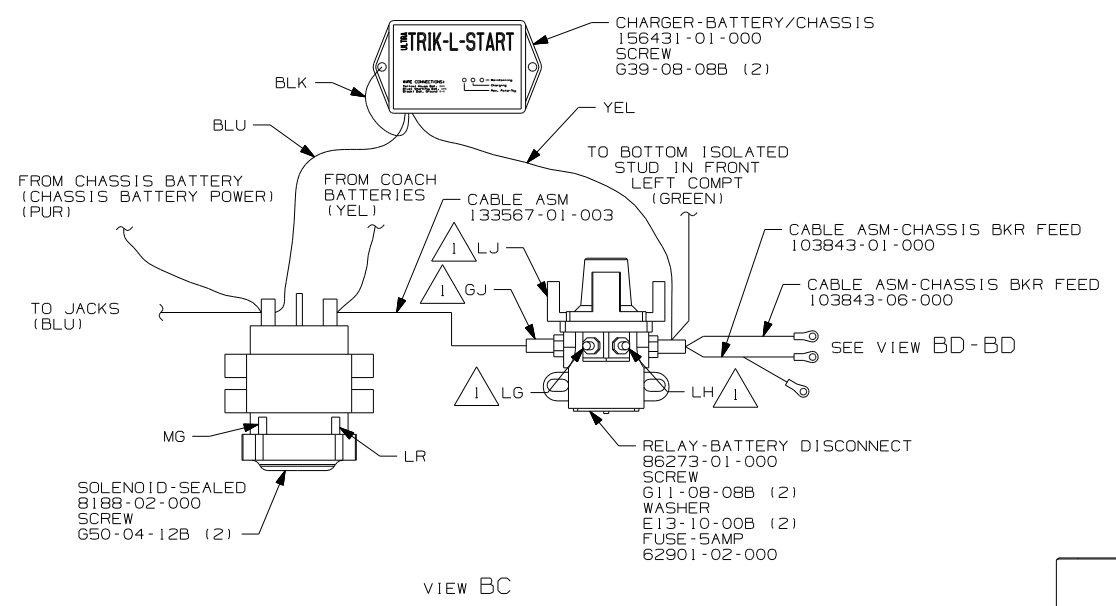
FOR ELECTRICAL  
TORQUE  
SPECIFICATIONS  
SEE DWG NO.  
128783-01-000

FOR  
ELECTRICAL  
CALLOUTS  
SEE DWG NO.  
121339-01-000





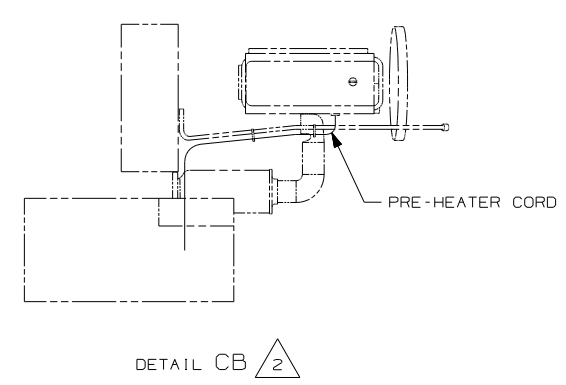
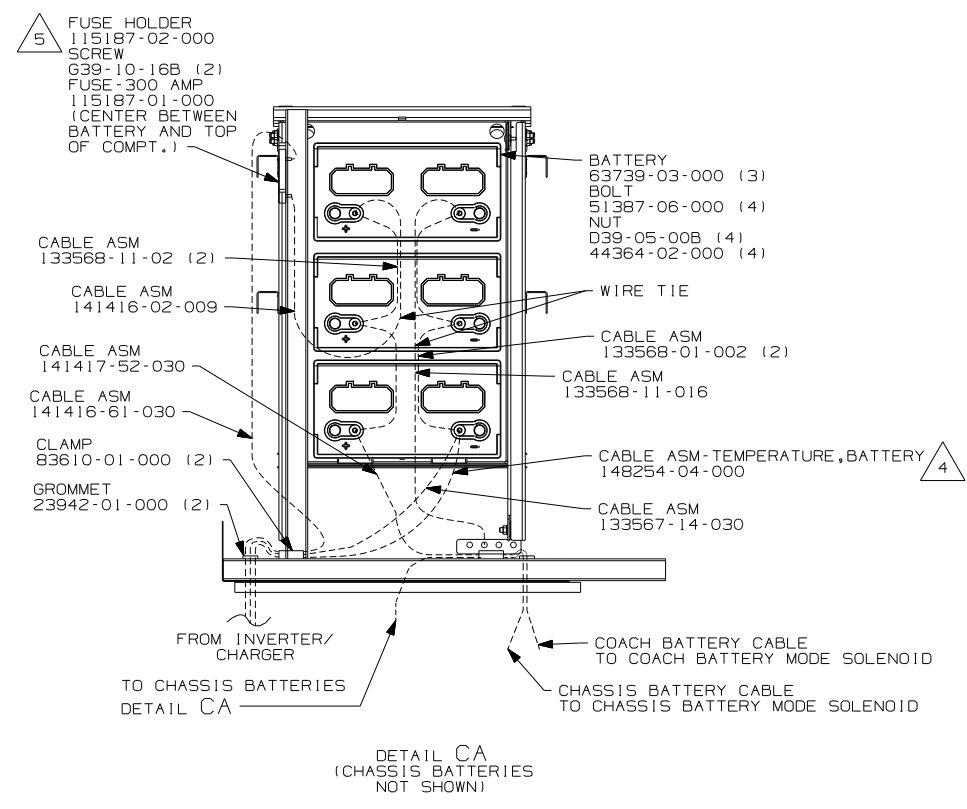
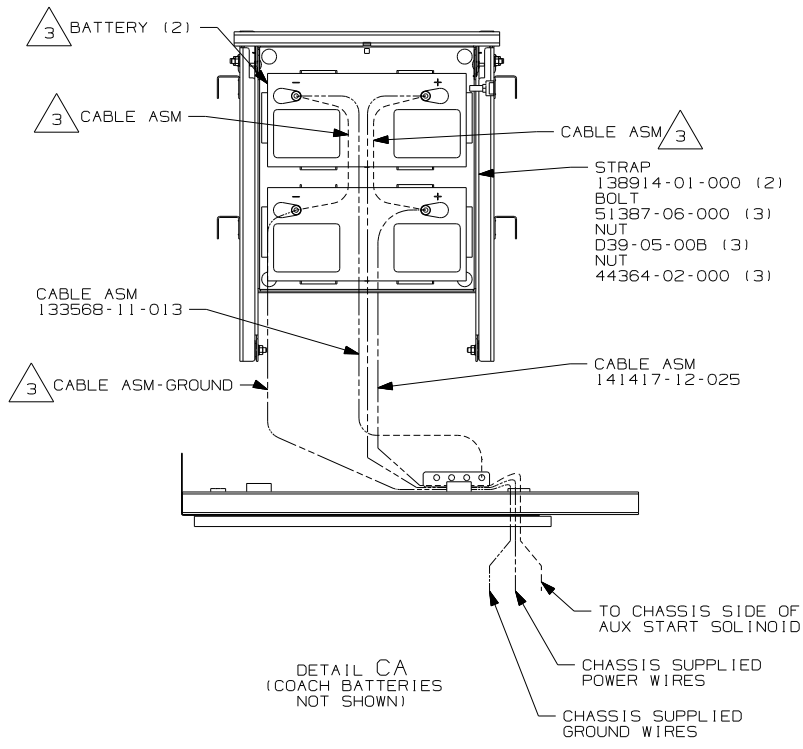
- 12 PIN HOUSING (11) TO AWNING SELECTOR SWITCH
- TO AWNING CONTROL SWITCH
- TO STEP SWITCH
- TO BATTERY DISCONNECT SWITCH
- TO COMPT DOOR LOCK SWITCH
- TO DOOR LOCK SWITCH
- TO PORCH LAMP SWITCH
- TO LOUNGE CEILING LAMP SWITCH
- TO STEP COVER SWITCH
- TO PASSENGER SUNVISOR SWITCH
- 4 PIN HOUSING TO KEYLESS TOUCH PAD
- 3 & 9 PIN HOUSING TO WIRE ASM-SDW
- JJT, JJU TO 12V JACK



- NOTES:
- 3 BOX TO BE ORIENTED SO CHASSIS WIRING ROUTES OUT THE TOP RIGHT CORNER.
  - 2 SEE WIRING INSTL-FRONT END FOR ADDITIONAL INFORMATION.
  - 1 CIRCUITS BRANCH FROM WIRE ASM-CHASSIS.

FOR ELECTRICAL TORQUE SPECIFICATIONS SEE DWG NO. 128783-01-000

|            |                      |        |
|------------|----------------------|--------|
| FIRST USED | 06 S40FD             |        |
|            | DO NOT SCALE DRAWING |        |
| TITLE:     | WIRING INSTL-CHASSIS |        |
| SHEET 2    | PART NO              | 154260 |
|            | REV                  |        |



5 MOUNT FUSE HOLDER HORIZONTALLY 20MM DOWN FROM FLOOR TUBE.

4 CONNECT RING TERMINAL OF CABLE ASM-TEMP, BATTERY TO NEGATIVE POST AS SHOWN AND ROUTE CABLE WITH NEGATIVE BATTERY CABLE TO INVERTER.

3 SUPPLIED WITH CHASSIS

2 SECURE CORD AWAY FROM ALL MOVING PARTS AND EXHAUST WITH TIE-WIRE 93147-01-000 AS REQUIRED.

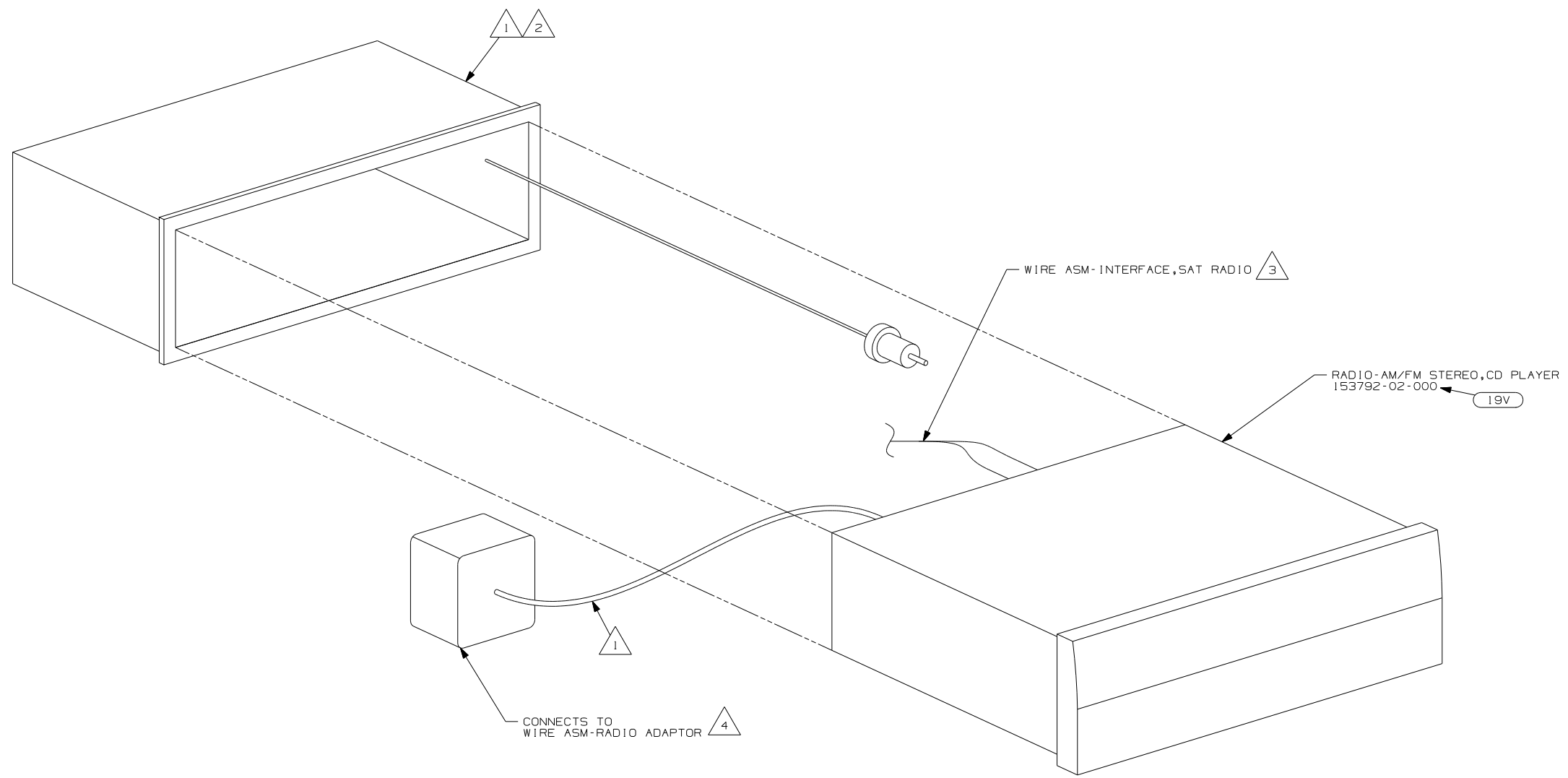
NOTES: 1. LEGEND: — WINNEBAGO: - - - - - CABLE: - - - - - CHASSIS SUPPLIED WIRING.

FOR ELECTRICAL TORQUE SPECIFICATIONS SEE DWG NO. 128783-01-000

|            |                      |        |
|------------|----------------------|--------|
| FIRST USED | 06 S40FD             |        |
| TITLE      | DO NOT SCALE DRAWING |        |
|            | WIRING INSTL-CHASSIS |        |
| SHEET 3    | PART NO              | 154260 |
|            | REV                  |        |

| DRAWING NO. | SHEET | SERIES                 |
|-------------|-------|------------------------|
| 151750-01   | 1     | 500                    |
| 151750-02   | 2     | 300                    |
| 151750-03   | 3     | 400                    |
| 151750-04   | 4     | 700                    |
| 151750-05   | 5     | D                      |
| 151750-06   | 6     | F                      |
| 151750-07   | 7     | G                      |
| 151750-08   | 8     | P                      |
| 151750-09   | 9     | R&S                    |
| 151750-10   | 10    | 3295B, 331SC,<br>331ST |

|          |                 |         |           |
|----------|-----------------|---------|-----------|
| RELEASE  | REV DATE        | ORIG NO | 151750    |
| REV ZONE | REVISION RECORD | DATE    | DFTR-ORIG |

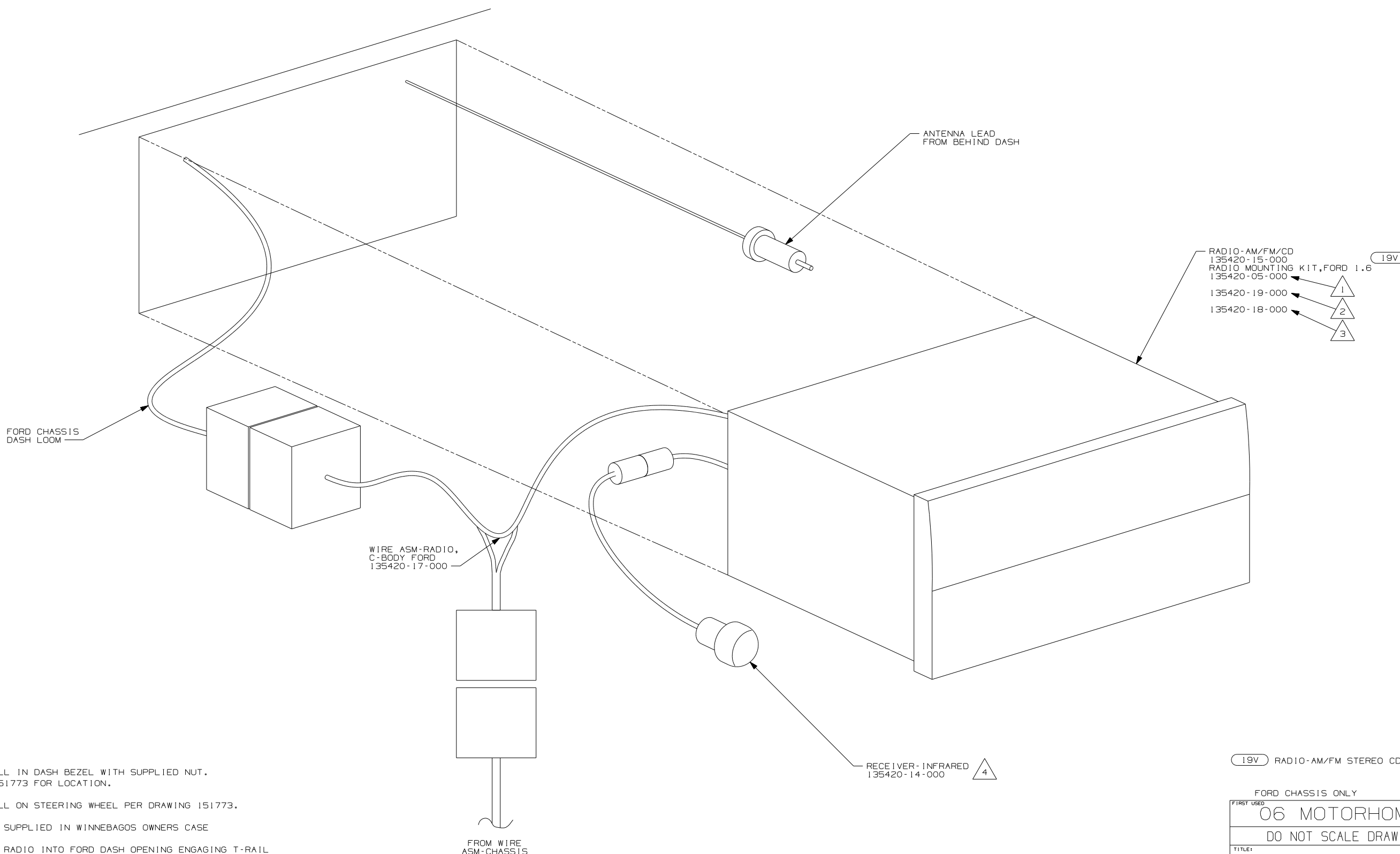


- NOTES:
- 4 SEE WIRING INSTL-CHASSIS FOR ADDITIONAL INFORMATION.
  - 3 TO SATELLITE RECEIVER. SEE ANTENNA INSTL-RADIO & CB FOR ADDITIONAL INFORMATION.
  - 2 BEND TABS ON ALL 4 SIDES TO SECURE MOUNTING BRACKET TO DASH OPENING.
  - 1 SUPPLIED WITH RADIO

19V RADIO-AM/FM STEREO CD PLAYER

|                           |            |   |  |
|---------------------------|------------|---|--|
| <b>WINNEBAGO</b>          |            | COPYRIGHT 2004<br>WINNEBAGO<br>INDUSTRIES, INC. |  |
| DFTR                      | ORIG. DATE | ALL DIMENSIONS ARE<br>IN MILLIMETERS            |  |
| CHKR                      |            | FIRST USED                                      |  |
| P.E.                      |            | 06 MOTORHOMES                                   |  |
| M.E.                      |            | UNSPECIFIED TOLERANCES ARE:                     |  |
| DSNR                      |            | MATERIAL:                                       |  |
|                           |            | WHOLE DIM (X) :                                 |  |
|                           |            | ONE-PLACE (X.X) :                               |  |
|                           |            | TWO-PLACE (X.XX) :                              |  |
|                           |            | ANGLE :   |  |
| THIRD ANGLE<br>PROJECTION |            |   |  |
| DO NOT SCALE DRAWING      |            |   |  |
| TITLE: RADIO INSTL        |            |   |  |
| SHEET 1 OF 10             |            | PART NO 151750                                  |  |
| REF:                      |            | 1 9/9/2005                                      |  |

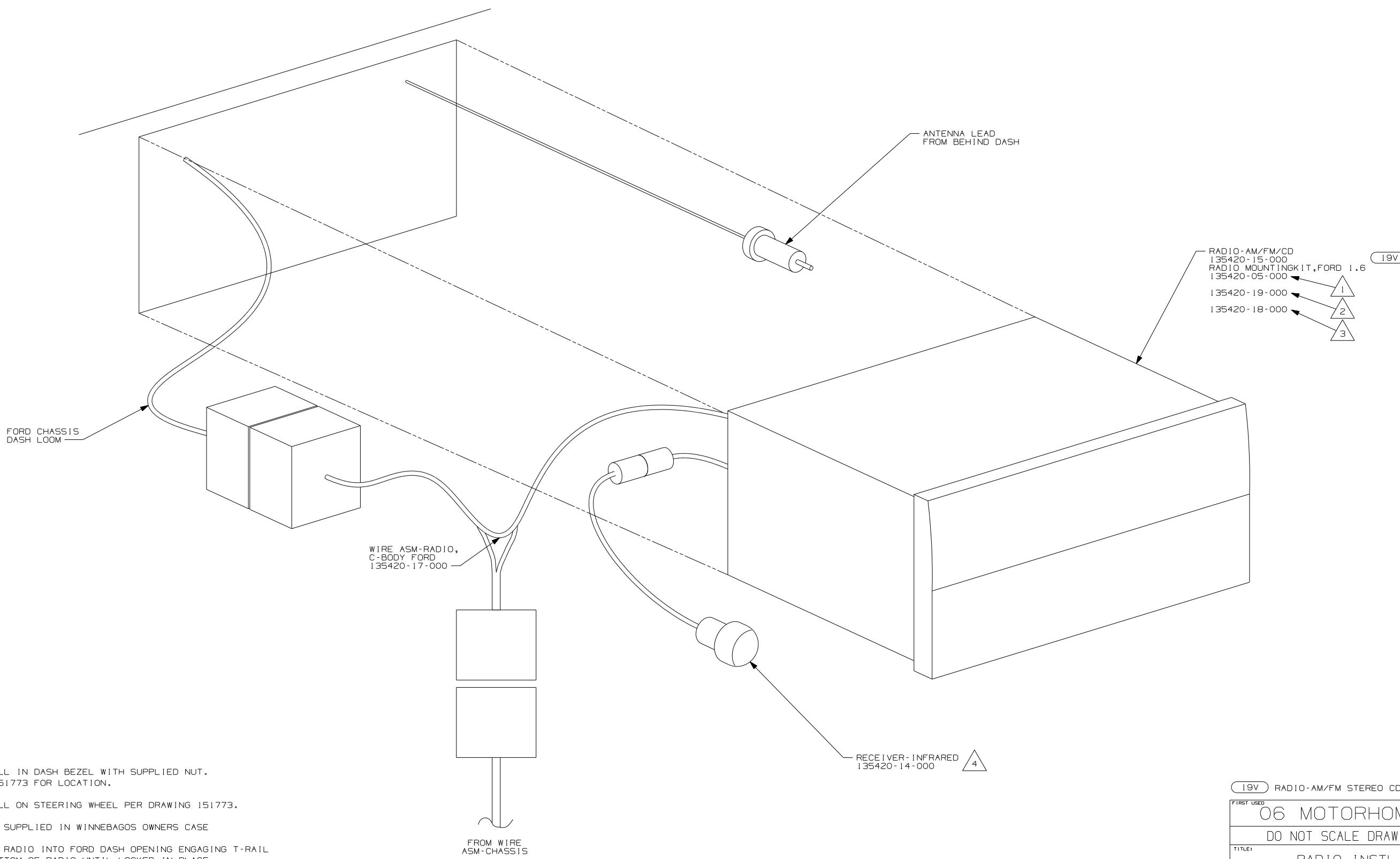




- NOTES:
- 4 INSTALL IN DASH BEZEL WITH SUPPLIED NUT. SEE 151773 FOR LOCATION.
  - 3 INSTALL ON STEERING WHEEL PER DRAWING 151773.
  - 2 TO BE SUPPLIED IN WINNEBAGOS OWNERS CASE
  - 1 SLIDE RADIO INTO FORD DASH OPENING ENGAGING T-RAIL ON BOTTOM OF RADIO UNTIL LOCKED IN PLACE.

19V RADIO-AM/FM STEREO CD PLAYER

|                      |                |
|----------------------|----------------|
| FORD CHASSIS ONLY    |                |
| FIRST USED           | 06 MOTORHOMES  |
| DO NOT SCALE DRAWING |                |
| TITLE:               | RADIO INSTL    |
| SHEET 2              | PART NO 151750 |



- 19V
- 1 RADIO-AM/FM/CD 135420-15-000
- 2 RADIO MOUNTING KIT, FORD 1.6 135420-05-000
- 3 135420-19-000
- 135420-18-000

- NOTES:
- 4 INSTALL IN DASH BEZEL WITH SUPPLIED NUT. SEE 151773 FOR LOCATION.
  - 3 INSTALL ON STEERING WHEEL PER DRAWING 151773.
  - 2 TO BE SUPPLIED IN WINNEBAGOS OWNERS CASE
  - 1 SLIDE RADIO INTO FORD DASH OPENING ENGAGING T-RAIL ON BOTTOM OF RADIO UNTIL LOCKED IN PLACE.

|                                  |                |
|----------------------------------|----------------|
| 19V RADIO-AM/FM STEREO CD PLAYER |                |
| FIRST USED                       |                |
| 06 MOTORHOMES                    |                |
| DO NOT SCALE DRAWING             |                |
| TITLE:                           | RADIO INSTL    |
| SHEET 3                          | PART NO 151750 |

FORD CHASSIS DASH LOOM

WIRE ASM-RADIO, C-BODY FORD 135420-17-000

ANTENNA LEAD FROM BEHIND DASH

RECEIVER - INFRARED 135420-14-000

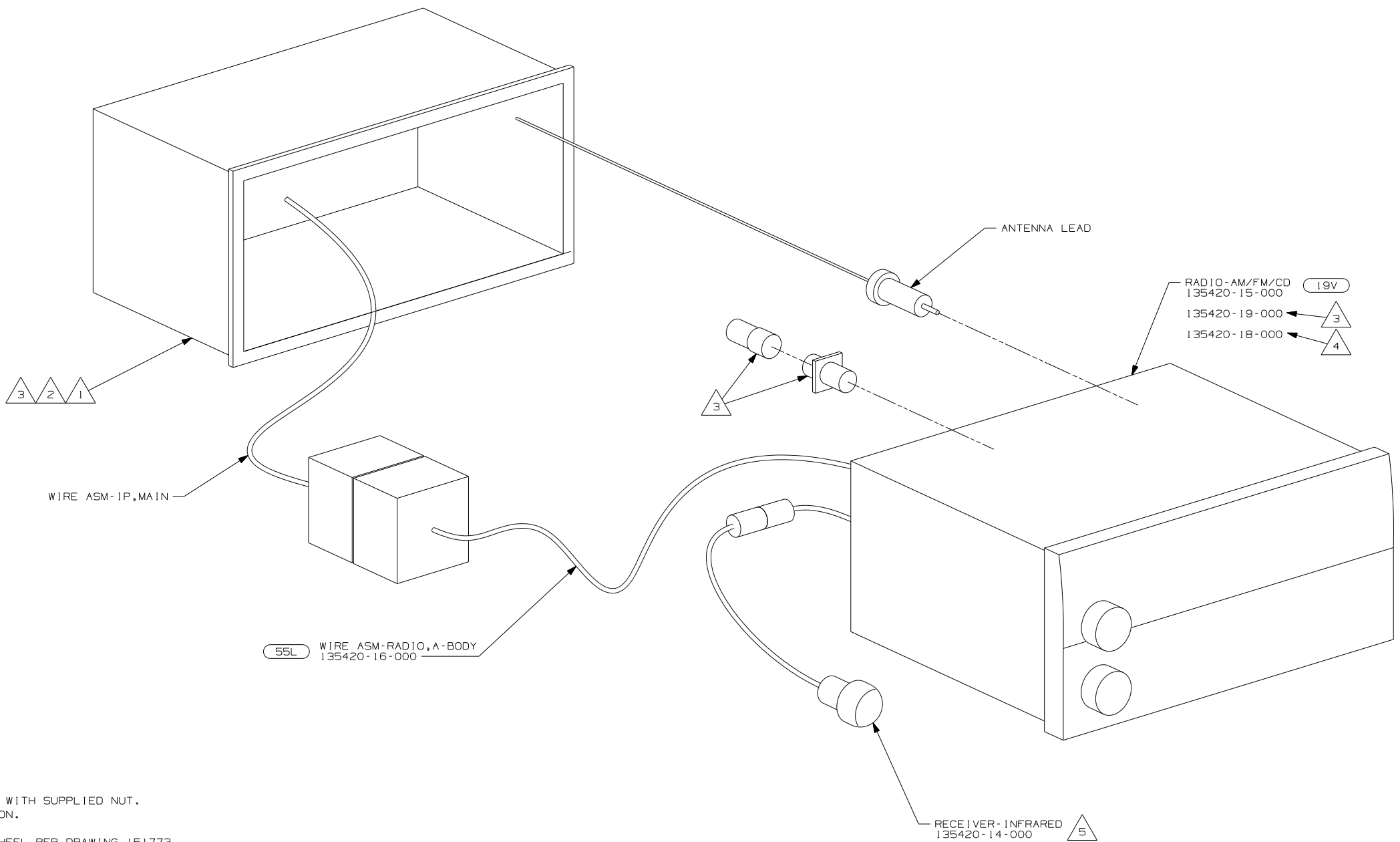
RADIO-AM/FM/CD COMBO  
 135420-15-000  
 RADIO MOUNTING KIT, FORD 1.6  
 135420-05-000  
 135420-19-000  
 135420-18-000

19V

FROM WIRE ASM-CHASSIS

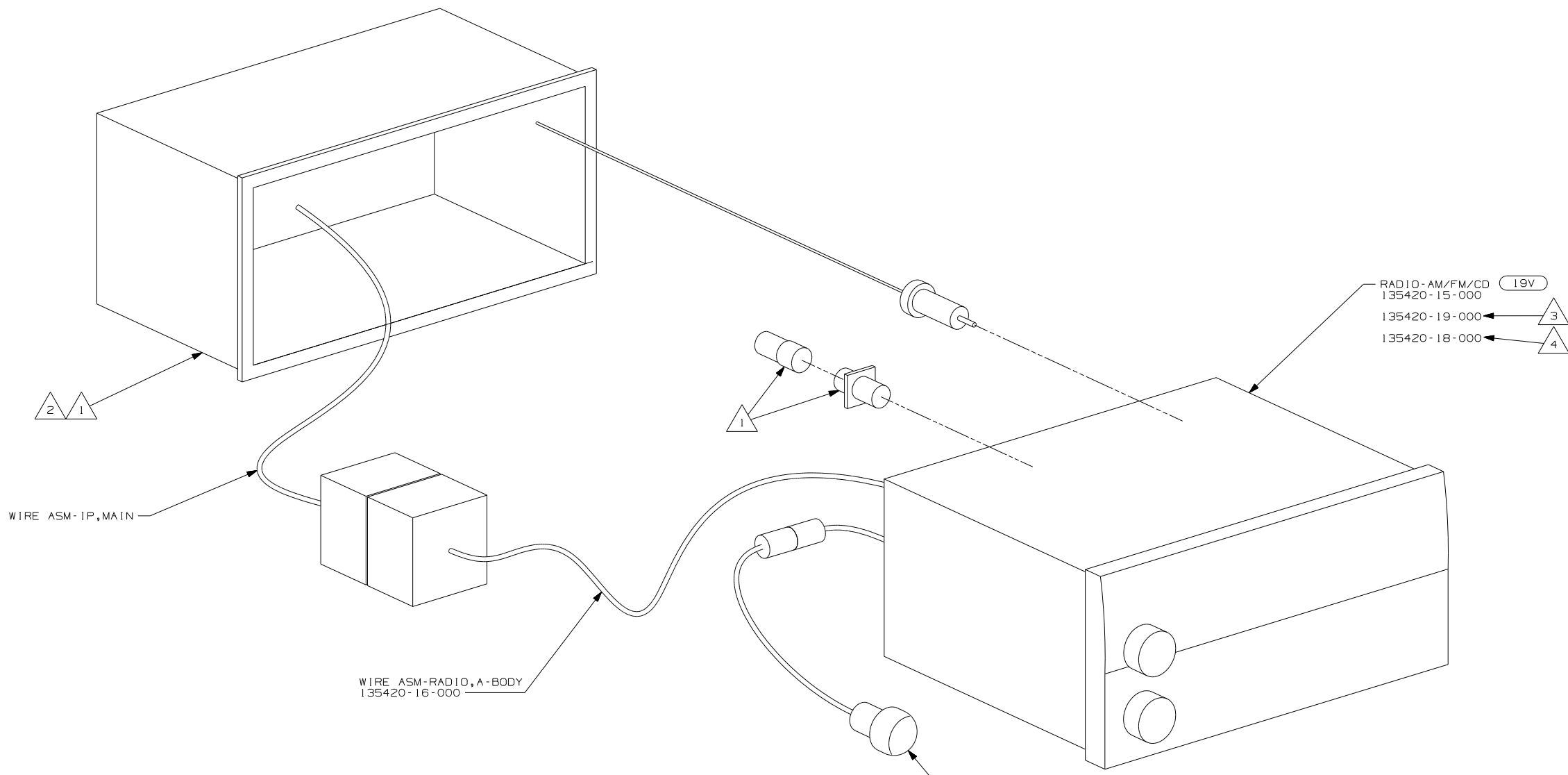
- NOTES:
- 4 INSTALL IN DASH BEZEL WITH SUPPLIED NUT. SEE 151773 FOR LOCATION.
  - 3 INSTALL ON STEERING WHEEL PER DRAWING 151773.
  - 2 TO BE SUPPLIED IN WINNEBAGOS OWNERS CASE
  - 1 SLIDE RADIO INTO FORD DASH OPENING ENGAGING T-RAIL ON BOTTOM OF RADIO UNTIL LOCKED IN PLACE.

|                                  |                   |
|----------------------------------|-------------------|
| 19V RADIO-AM/FM STEREO CD PLAYER |                   |
| FIRST USED<br>06 MOTORHOMES      |                   |
| DO NOT SCALE DRAWING             |                   |
| TITLE:<br>RADIO INSTL            |                   |
| SHEET 4                          | PART NO<br>151750 |



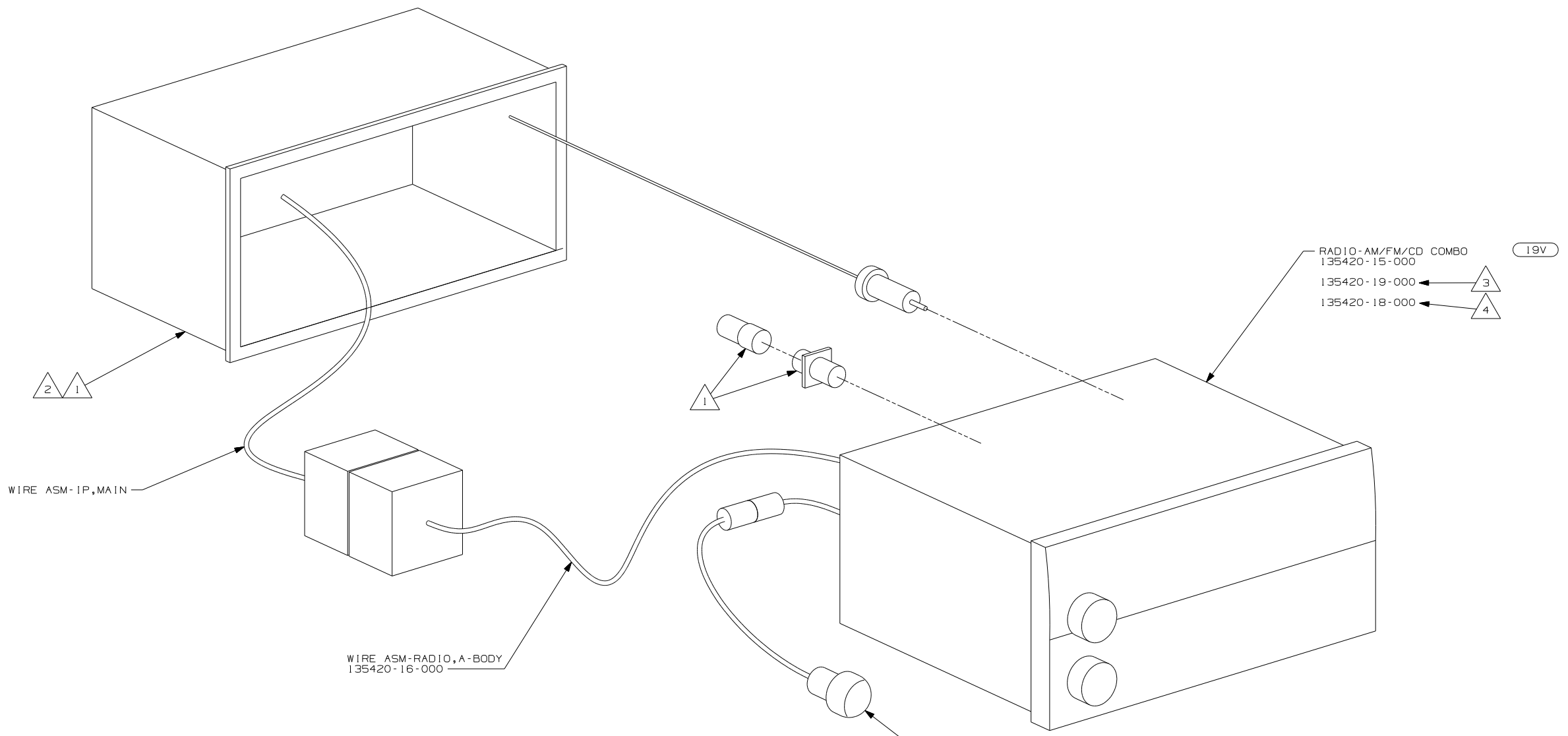
- NOTES:
- 5 INSTALL IN DASH BEZEL WITH SUPPLIED NUT. SEE 151773 FOR LOCATION.
  - 4 INSTALL ON STEERING WHEEL PER DRAWING 151773.
  - 3 TO BE SUPPLIED IN WINNEBAGOS OWNERS CASE
  - 2 BEND TABS ON ALL 4 SIDES TO SECURE MOUNTING BRACKET TO DASH OPENING.
  - 1 SUPPLIED WITH MOUNTING KIT 135420-07-000

|                                  |                   |
|----------------------------------|-------------------|
| 19V RADIO-AM/FM STEREO CD PLAYER |                   |
| FIRST USED<br>06 MOTORHOMES      |                   |
| DO NOT SCALE DRAWING             |                   |
| TITLE:<br>RADIO INSTL            |                   |
| SHEET 5                          | PART NO<br>151750 |



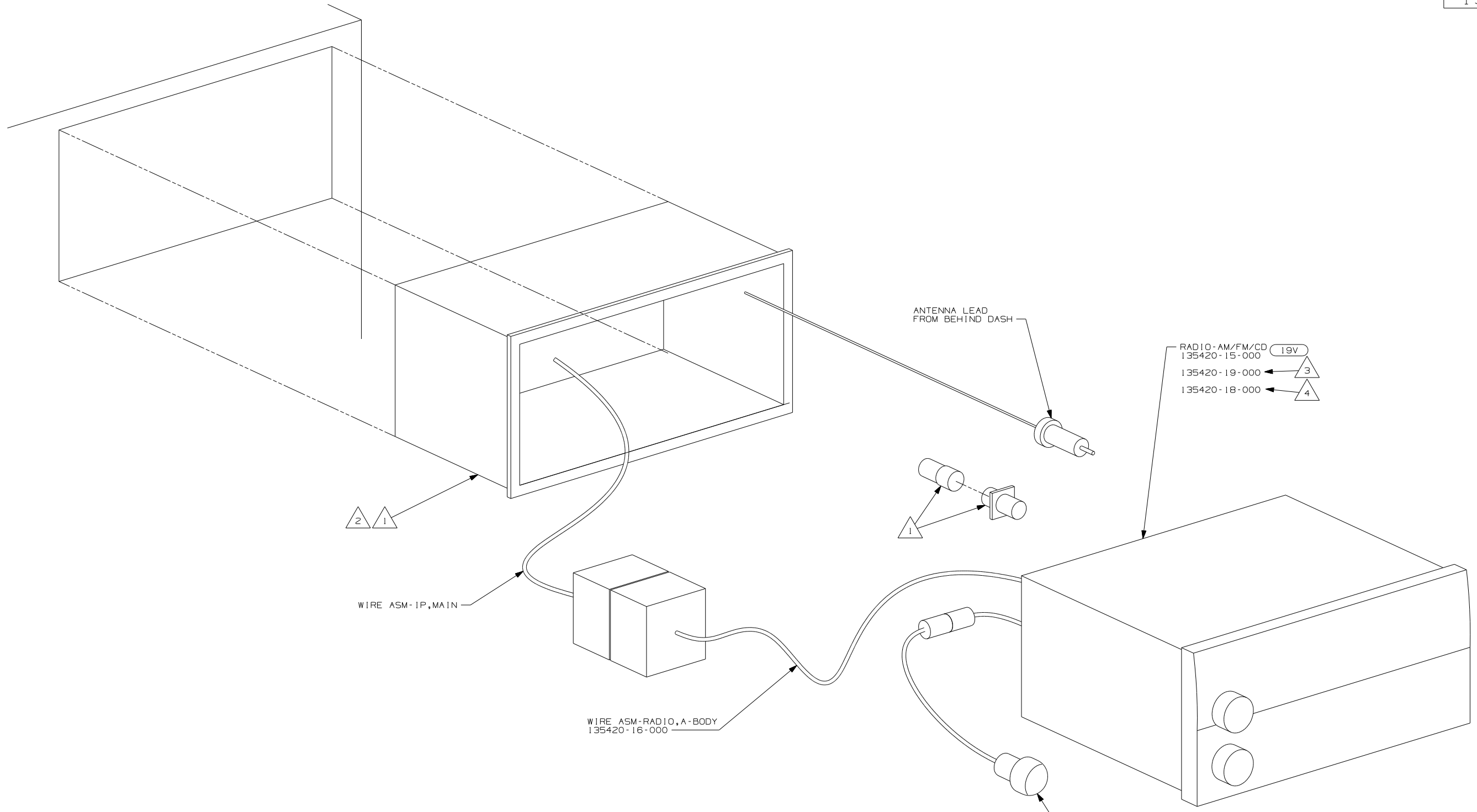
- NOTES:
- 5 INSTALL IN DASH BEZEL WITH SUPPLIED NUT. SEE 151773 FOR LOCATION.
  - 4 INSTALL ON STEERING WHEEL PER DRAWING 151773.
  - 3 TO BE SUPPLIED IN WINNEBAGOS OWNERS CASE
  - 2 BEND TABS ON ALL 4 SIDES TO SECURE MOUNTING BRACKET TO DASH OPENING.
  - 1 SUPPLIED WITH MOUNTING KIT 135420-07-000.

|                                  |                   |
|----------------------------------|-------------------|
| 19V RADIO-AM/FM STEREO CD PLAYER |                   |
| FIRST USED<br>06 MOTORHOMES      |                   |
| DO NOT SCALE DRAWING             |                   |
| TITLE:<br>RADIO INSTL            |                   |
| SHEET 6                          | PART NO<br>151750 |



- NOTES:
- 5 INSTALL IN DASH BEZEL WITH SUPPLIED NUT. SEE 151773 FOR LOCATION.
  - 4 INSTALL ON STEERING WHEEL PER DRAWING 151773.
  - 3 TO BE SUPPLIED IN WINNEBAGOS OWNERS CASE
  - 2 BEND TABS ON ALL 4 SIDES TO SECURE MOUNTING BRACKET TO DASH OPENING.
  - 1 SUPPLIED WITH MOUNTING KIT 135420-07-000.

|            |                              |
|------------|------------------------------|
| 19V        | RADIO-AM/FM STEREO CD PLAYER |
| FIRST USED | 06 MOTORHOMES                |
| TITLE:     | DO NOT SCALE DRAWING         |
| SHEET 7    | PART NO 151750               |

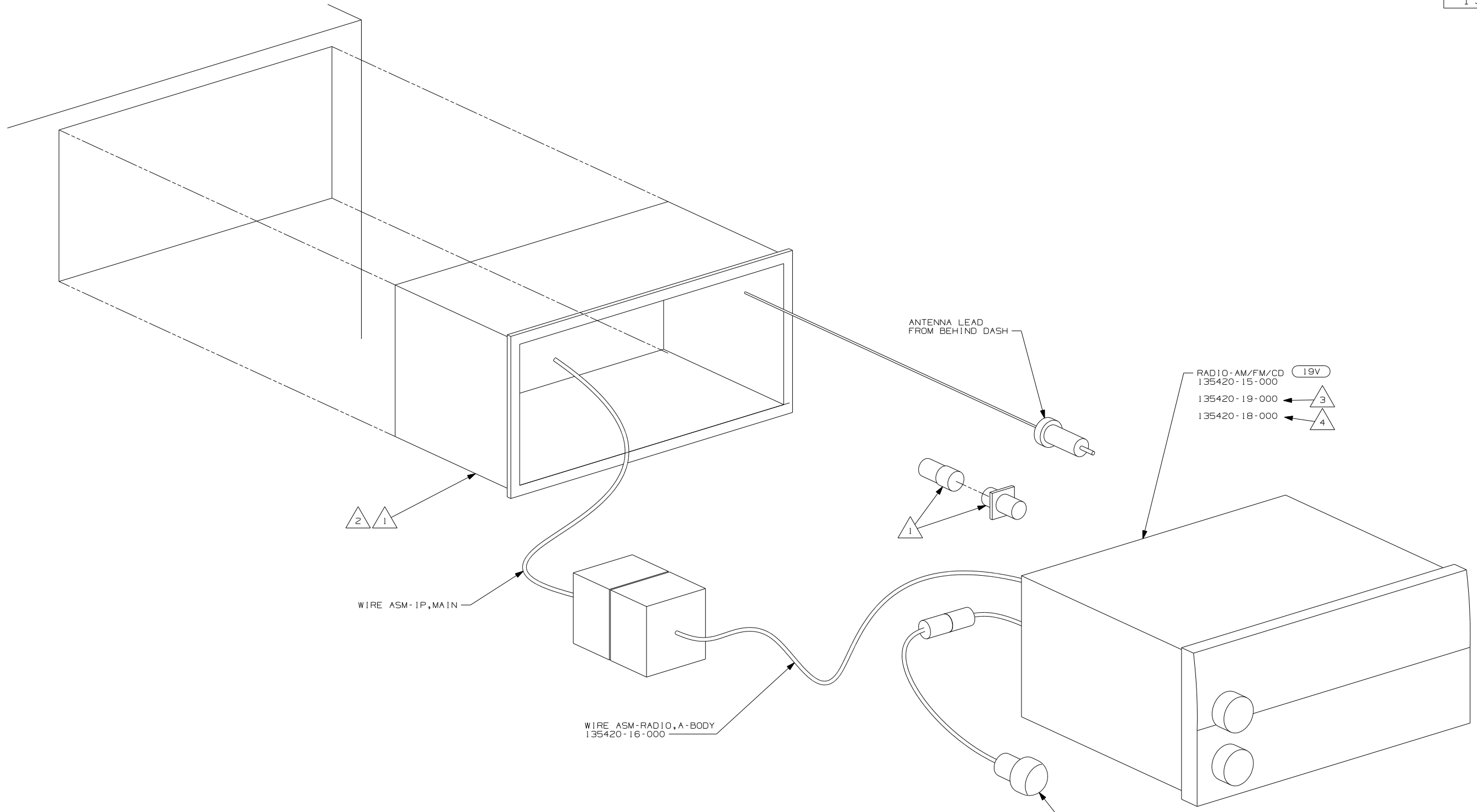


- NOTES:
- 5 INSTALL IN DASH BEZEL WITH SUPPLIED NUT. SEE 151773 FOR LOCATION.
  - 4 INSTALL ON STEERING WHEEL PER DRAWING 151773.
  - 3 TO BE SUPPLIED IN WINNEBAGOS OWNERS CASE
  - 2 BEND TABS ON ALL 4 SIDES TO SECURE MOUNTING BRACKET TO DASH OPENING.
  - 1 SUPPLIED WITH MOUNTING KIT 135420-07-000.

RECEIVER-INFRARED  
135420-14-000

RADIO-AM/FM/CD  
135420-15-000  
135420-19-000  
135420-18-000

|                                  |                |
|----------------------------------|----------------|
| 19V RADIO-AM/FM STEREO CD PLAYER |                |
| FIRST USED                       | 06 MOTORHOMES  |
| DO NOT SCALE DRAWING             |                |
| TITLE:                           | RADIO INSTL    |
| SHEET 8                          | PART NO 151750 |



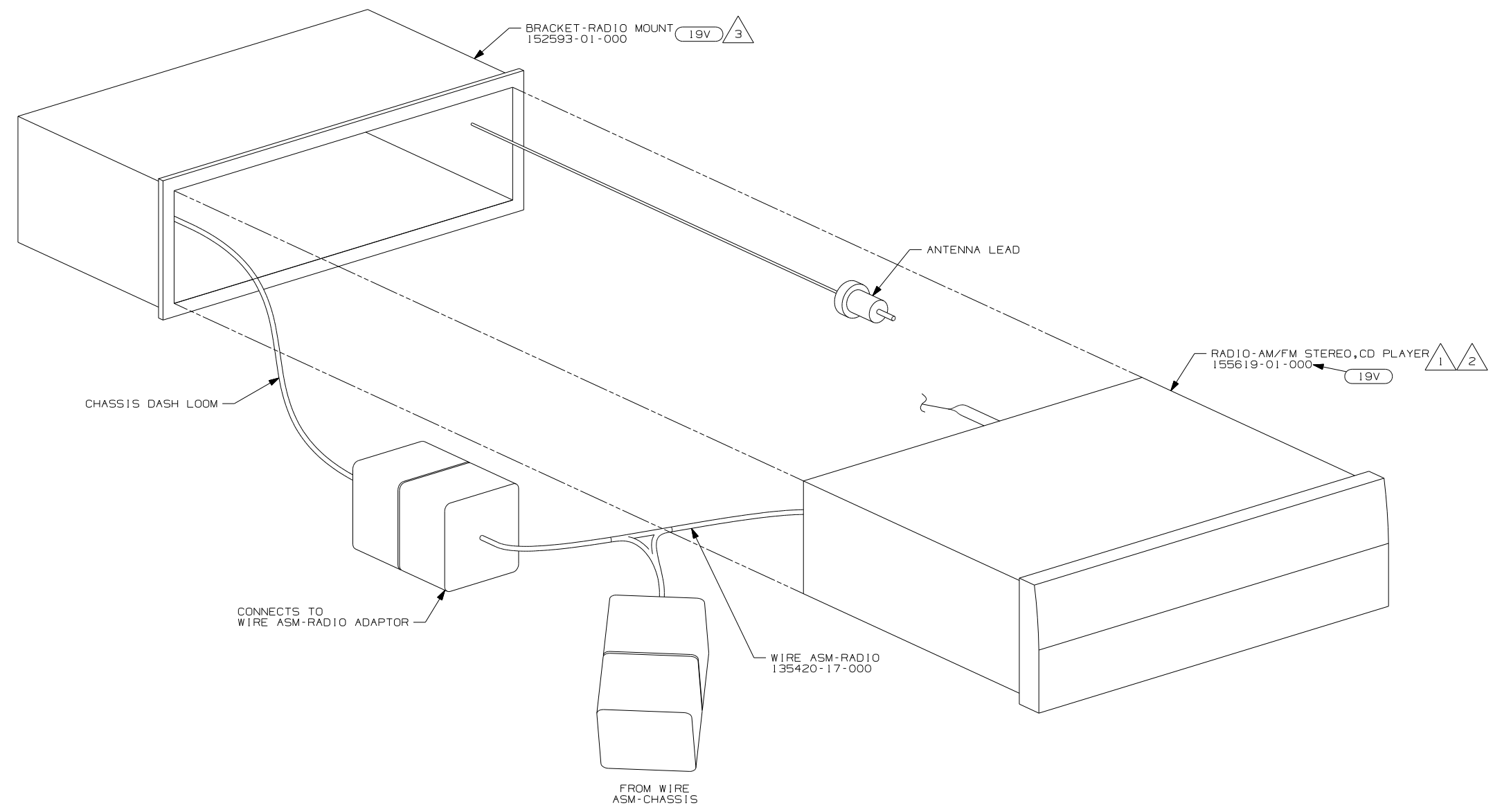
- NOTES:
- 5 INSTALL IN DASH BEZEL WITH SUPPLIED NUT. SEE 151773 FOR LOCATION.
  - 4 INSTALL ON STEERING WHEEL PER DRAWING 151773.
  - 3 TO BE SUPPLIED IN WINNEBAGOS OWNERS CASE
  - 2 BEND TABS ON ALL 4 SIDES TO SECURE MOUNTING BRACKET TO DASH OPENING.
  - 1 SUPPLIED WITH MOUNTING KIT 135420-07-000.

RECEIVER-INFRARED  
135420-14-000

RADIO-AM/FM/CD  
135420-15-000  
135420-19-000  
135420-18-000

|            |                              |
|------------|------------------------------|
| 19V        | RADIO-AM/FM STEREO CD PLAYER |
| FIRST USED | 06 MOTORHOMES                |
| TITLE:     | DO NOT SCALE DRAWING         |
| SHEET 9    | PART NO 151750               |
|            | 1 9/9/2005                   |





- NOTES:
- 3 INSTALL REAR RADIO SUPPORT BRACKET, ENGAGING T-RAIL ON BOTTOM OF RADIO UNTIL LOCKED IN PLACE.
  - 2 BEND TABS ON ALL 4 SIDES TO SECURE MOUNTING BRACKET TO DASH OPENING.
  - 1 CREDIT CARD REMOTE SUPPLIED WITH RADIO IS TO BE INCLUDED IN OWNER'S INFO CASE.

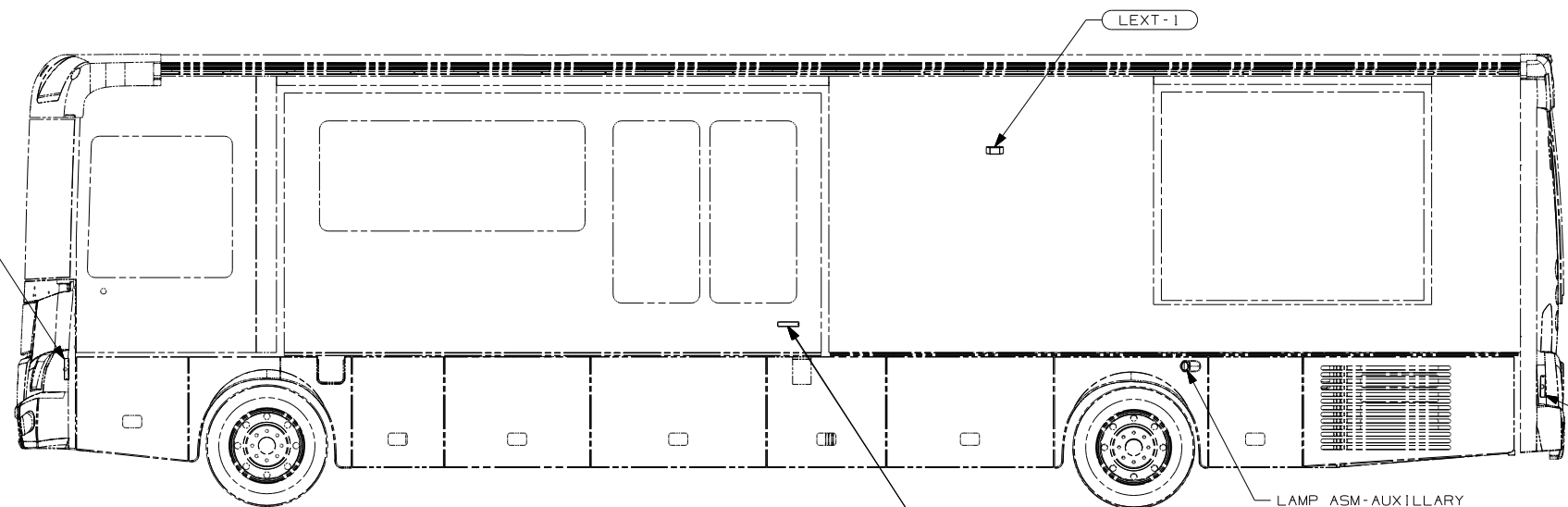
FOR ELECTRICAL CALLOUTS SEE DWG NO. 121339-01-000

19V RADIO-AM/FM STEREO CD PLAYER

|                      |                |
|----------------------|----------------|
| FIRST USED           |                |
| 06 MOTORHOMES        |                |
| DO NOT SCALE DRAWING |                |
| TITLE: RADIO INSTL   |                |
| SHEET 10             | PART NO 151750 |

|             |       |
|-------------|-------|
| DRAWING NO. |       |
| 152108-01   | (WIN) |
| 152108-02   | (ITA) |

|          |                 |               |
|----------|-----------------|---------------|
| RELEASE  | REV DATE        | DWG NO        |
| A        |                 | 152108        |
| REV ZONE | REVISION RECORD | DATE DFR-0R16 |

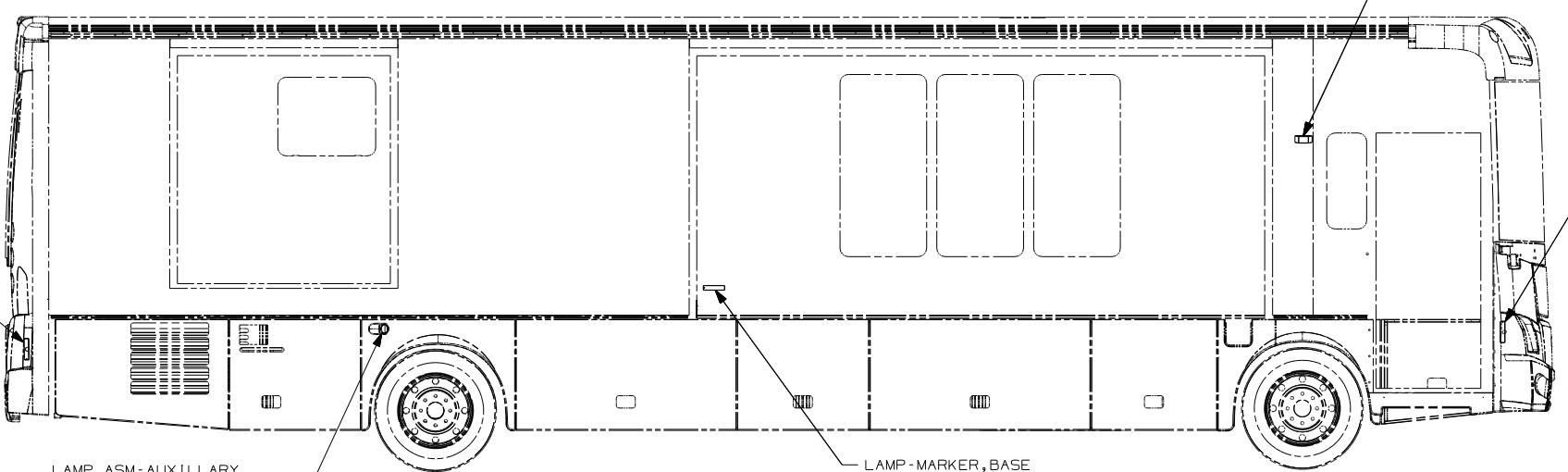


(WIN) LAMP-MARKER, AMBER  
117826-02-000  
GASKET-MARKER LIGHT  
117826-03-000  
BULB  
36196-01-000  
SCREW  
G11-08-12U (EXT) (2)

LAMP-MARKER, BASE  
111102-01-000  
LAMP-MARKER, LENS, AMBER  
111102-02-000  
SCREW  
G11-08-12U (EXT) (2)  
CONNECTOR  
58028-01-000 (4)

LAMP ASM-AUXILLARY  
129746-01-000  
NUT  
40921-05-000 (2)  
SCREW  
G39-08-10U (EXT) (3)  
SHIM-STRIKER  
120494-03-CHT (A/R)

LAMP ASM-MARKER, RED  
117826-01-000  
GASKET-MARKER LIGHT  
117826-03-000  
BULB  
36196-01-000  
SCREW  
G11-08-12U (EXT) (2)



LAMP ASM-MARKER, RED  
117826-01-000  
GASKET-MARKER LIGHT  
117826-03-000  
BULB  
36196-01-000  
SCREW  
G11-08-12U (EXT) (2)

LAMP-MARKER, BASE  
111102-01-000  
LAMP-MARKER, LENS, AMBER  
111102-02-000  
SCREW  
G11-08-12U (EXT) (2)  
CONNECTOR  
58028-01-000 (4)

LAMP ASM-AUXILLARY  
129746-01-000  
NUT  
40921-05-000 (2)  
SCREW  
G39-08-10U (EXT) (3)  
SHIM-STRIKER  
120494-03-CHT (A/R)

(WIN) LAMP-MARKER, AMBER  
117826-02-000  
GASKET-MARKER LIGHT  
117826-03-000  
BULB  
36196-01-000  
SCREW  
G11-08-12U (EXT) (2)

- (ITA) ITASCA ONLY
  - (WIN) WINNEBAGO ONLY
  - (265) CODES/STANDARDS-CSA/CMVSS
  - (1B1) CODES/STANDARDS USA
- (1B1) (265)

**WINNEBAGO** INDUSTRIES, INC. COPYRIGHT 2004

|                             |                                   |
|-----------------------------|-----------------------------------|
| DFTR                        | ORIG. DATE                        |
| CHKR                        | ALL DIMENSIONS ARE IN MILLIMETERS |
| P.E.                        |                                   |
| M.E.                        | FIRST USED                        |
| DSNR                        | 06 S-SERIES                       |
| UNSPECIFIED TOLERANCES ARE: | MATERIAL:                         |
| HOLE DIM (X)                | :                                 |
| ONE-PLACE (X.X)             | :                                 |
| TWO-PLACE (X.XX)            | :                                 |
| ANGLE                       | :                                 |
| THIRD ANGLE PROJECTION      |                                   |

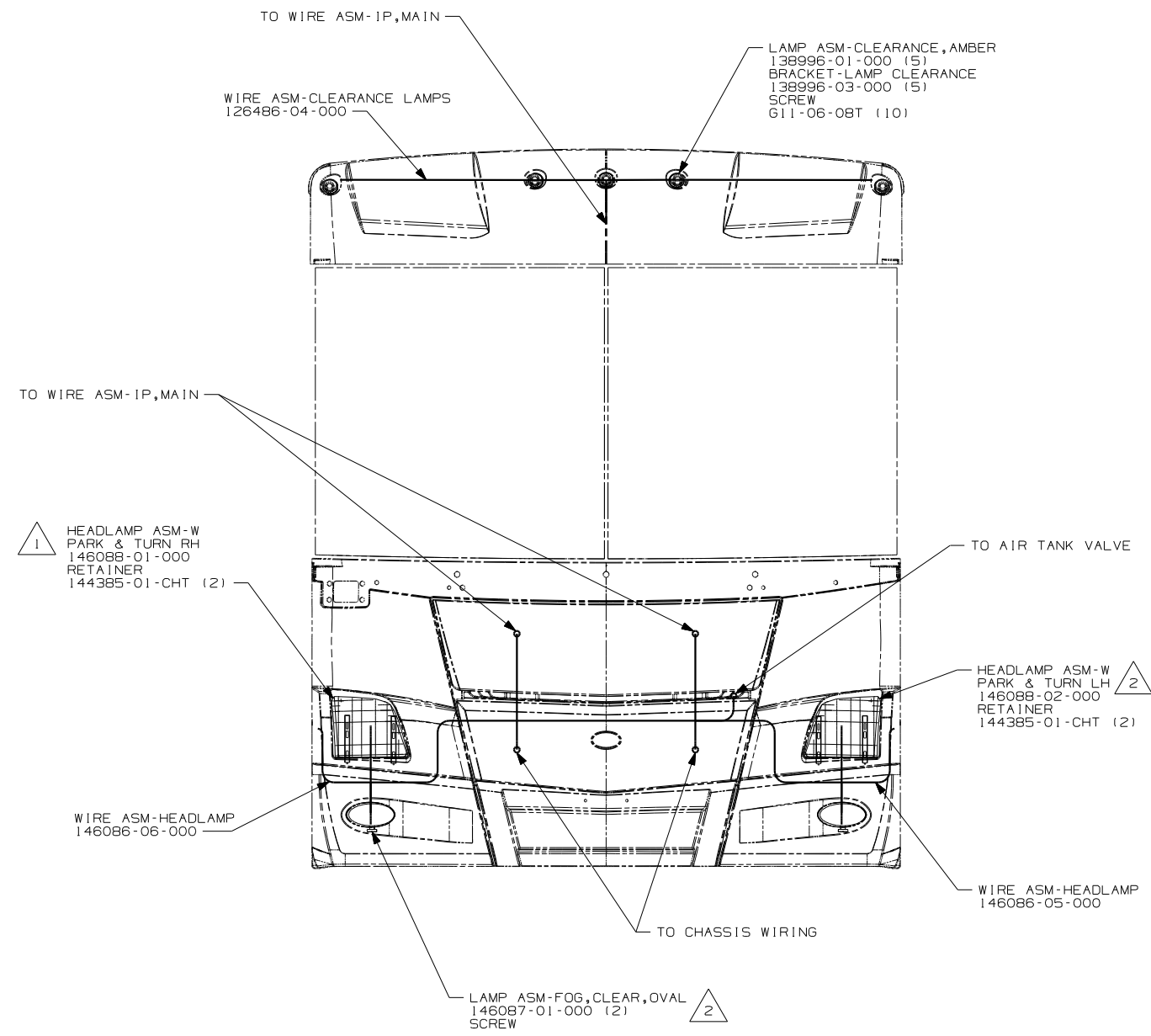
FOR ELECTRICAL TORQUE SPECIFICATIONS SEE DWG NO. 128783-01-000

(X-X) FOR ELECTRICAL CALLOUTS SEE DWG NO. 121339-01-000

DO NOT SCALE DRAWING

TITLE: WIRING INSTL-EXTERIOR LAMPS

SHEET 1 OF 3 PART NO 152108



2 USE ALLAN HEAD SCREW PROVIDED WITH FOG LAMP. TORQUE TO 14 FT/LBS.

1 CUT PLUG OFF HEADLIGHT ASSEMBLY, CONNECT AND HEAT SHRINK AS FOLLOWS:  
DDM OR DDL TO BLACK, MM TO BROWN, WHITE/BLUE TO RA OR RB,  
GREEN/BLACK TO NB, GREEN/ORANGE TO NA.

NOTES:

- 240 TRAILER HITCH
- WIN WINNEBAGO ONLY
- 265 CODES/STANDARDS-CSA/CMVSS
- 1B1 CODES/STANDARDS USA

1B1 265 WIN

FOR ELECTRICAL  
TORQUE  
SPECIFICATIONS  
SEE DWG NO.  
128783-01-000

(X-X)  
FOR  
ELECTRICAL  
CALLOUTS  
SEE DWG NO.  
121339-01-000

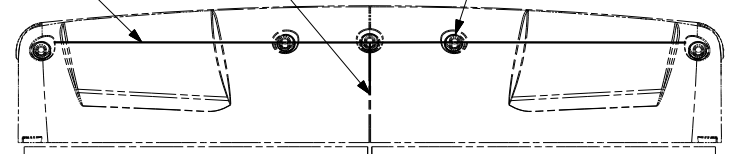
|                             |                |
|-----------------------------|----------------|
| FIRST USED                  |                |
| 06 S-SERIES                 |                |
| DO NOT SCALE DRAWING        |                |
| TITLE:                      |                |
| WIRING INSTL-EXTERIOR LAMPS |                |
| SHEET 2                     | PART NO 152108 |

TO WIRE ASM-IP,MAIN

WIRE ASM-CLEARANCE LAMPS  
126486-04-000

LAMP ASM-CLEARANCE, AMBER  
138996-01-000 (5)  
BRACKET-LAMP CLEARANCE  
138996-03-000 (5)  
SCREW  
G11-06-0BT (10)

LAMP ASM-CLEARANCE, RED  
138996-02-000 (5)  
BRACKET-LAMP CLEARANCE  
138996-03-000 (5)  
SCREW  
G11-06-0BT (EXT) (10)



WIRE ASM-BACKWALL, FL  
146221-06-000

WIN

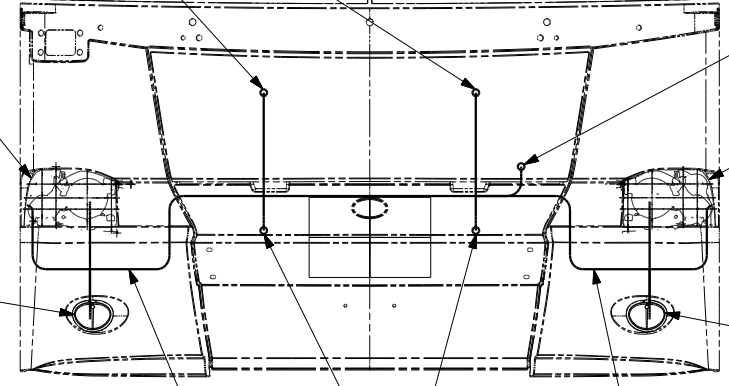
LAMP ASM-STOP/TURN/TAIL/BU  
154595-02-000  
154595-04-000  
SCREW  
000655-08-12B (2)  
BULB  
112708-01-000 (3)  
117805-02-000  
BUMPER  
120760-01-000 (3)

LIGHT ASM-BRAKE LED  
151076-01-000 (2)  
SCREW  
G39-06-16T (4)

2

HEADLAMP ASM-W/PARK & TURN  
146331-01-000  
BOLT  
000C12-06-16B (2)  
WASHER  
000E13-18-00B (2)  
NUT  
000D39-06-00B (2)  
BOLT  
OMC04K-06-016 (2)  
WASHER  
OME05K-06-180 (2)

LAMP ASM-STOP/TURN/TAIL/BU  
154595-01-000  
154595-03-000  
SCREW  
000655-08-12B (2)  
BULB  
112708-01-000 (3)  
117805-02-000  
BUMPER  
120760-01-000 (3)

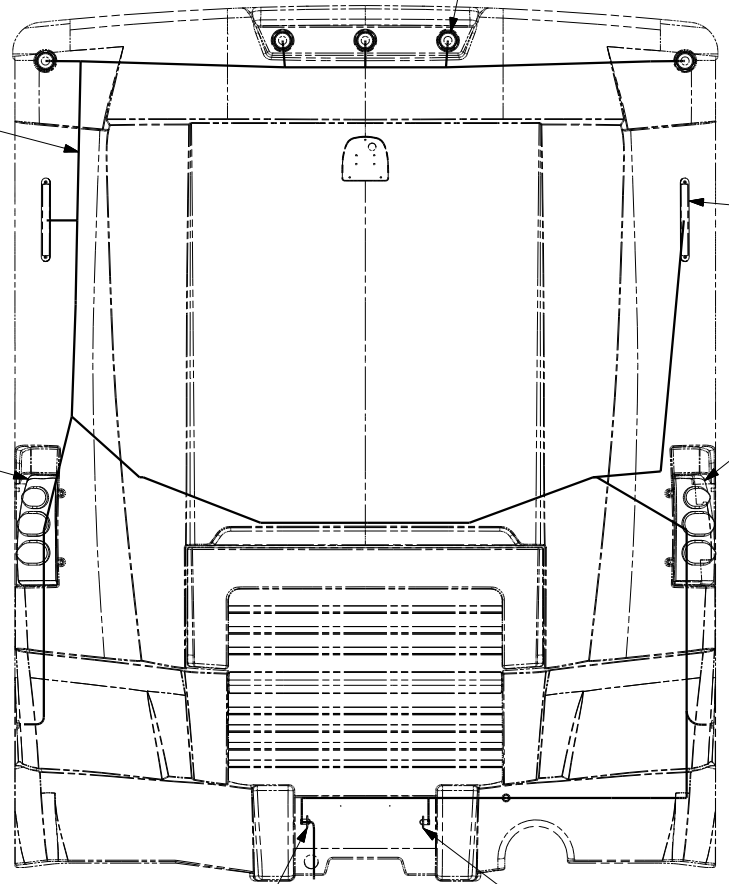


TO AIR TANK VALVE

HEADLAMP ASM-W/PARK & TURN  
146331-02-000  
BOLT  
000C12-06-16B (2)  
WASHER  
000E13-18-00B (2)  
NUT  
000D39-06-00B (2)  
BOLT  
OMC04K-06-016 (2)  
WASHER  
OME05K-06-180 (2)

LAMP ASM-FOG, CLEAR, OVAL  
146332-01-000  
NUT  
OMD54F-06-000 (4)  
BULB  
146673-01-000

LAMP ASM-FOG, CLEAR, OVAL  
146332-01-000  
NUT  
OMD54F-06-000 (4)  
BULB  
146673-01-000



TRAILER PLUG  
(SUPPLIED W/CHASSIS)  
SCREW  
101618-01-000 (4)

LAMP-LICENSE  
87201-01-000 (2)  
SCREW  
G11-06-12U (EXT) (4)

WIRE ASM-HEADLAMP  
146086-08-000

ITA

ITA WIN

- WIN WINNEBAGO ONLY
- ITA ITASCA ONLY
- 240 TRAILER HITCH
- 265 CODES/STANDARDS-CSA/CMVSS
- 1B1 CODES/STANDARDS USA

1B1 265 ITA WIN

2 CUT PLUG OFF HEADLAMP ASSEMBLY, CONNECT AND HEATSHRINK AS FOLLOWS:  
DDL OR DDM TO BLACK, MM TO GREEN, RA OR RB TO RED

1. CONNECTOR-PLUG, TRAILER (146246-01-000) TO BE SUPPLIED IN COACH WITH 240

NOTES:

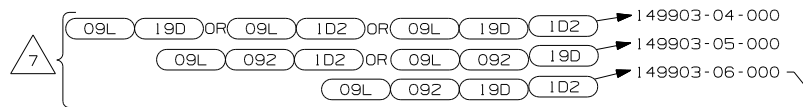
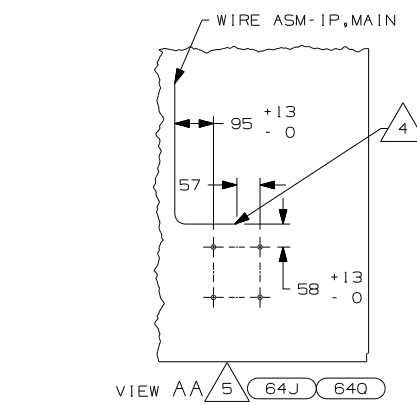
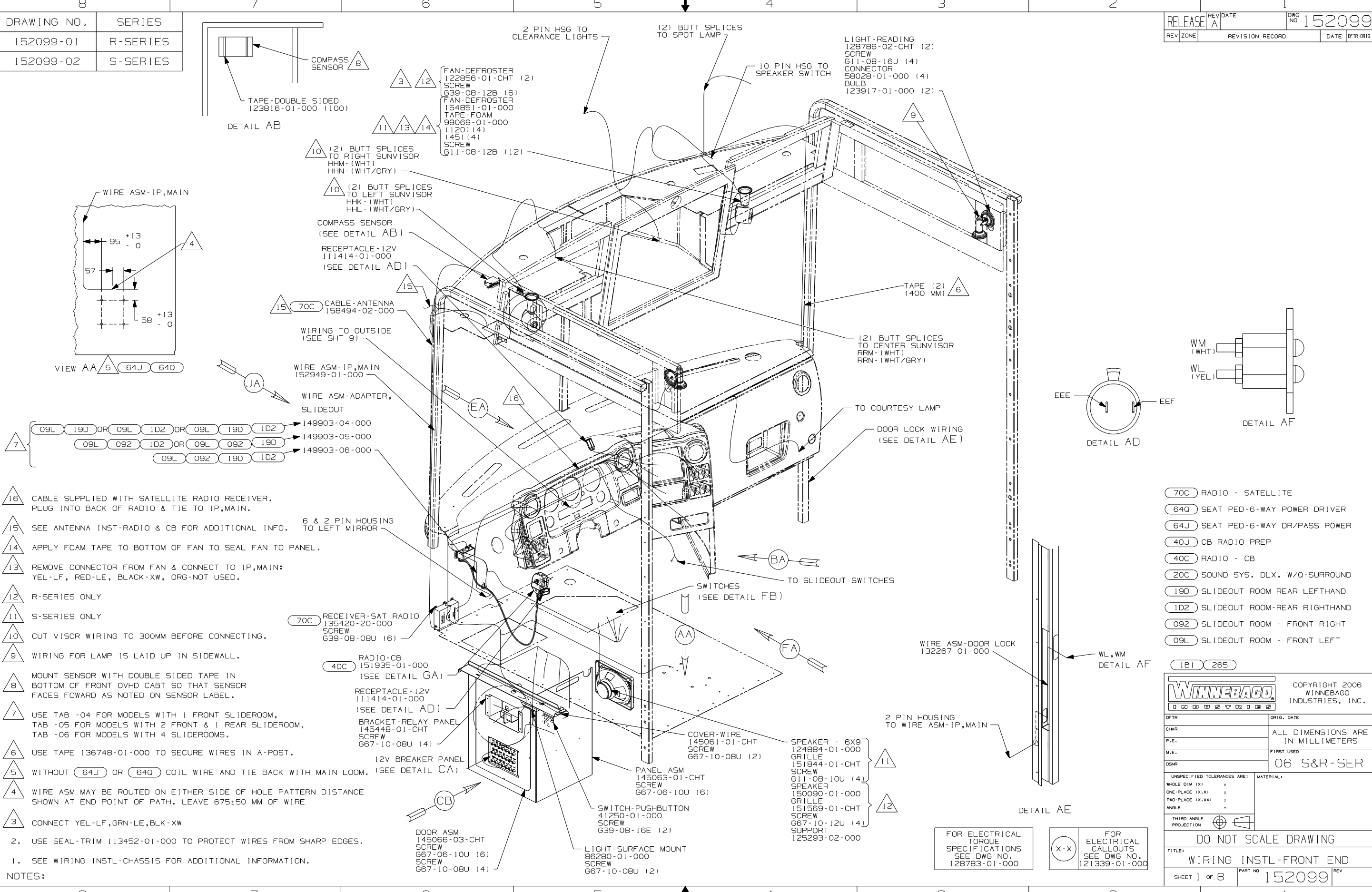
FOR ELECTRICAL  
TORQUE  
SPECIFICATIONS  
SEE DWG NO.  
128783-01-000

X-X  
FOR ELECTRICAL  
CALLOUTS  
SEE DWG NO.  
121339-01-000

|                                       |                   |
|---------------------------------------|-------------------|
| FIRST USED                            |                   |
| 06 S-SERIES                           |                   |
| DO NOT SCALE DRAWING                  |                   |
| TITLE:<br>WIRING INSTL-EXTERIOR LAMPS |                   |
| SHEET 3                               | PART NO<br>152108 |

|             |          |
|-------------|----------|
| DRAWING NO. | SERIES   |
| 152099-01   | R-SERIES |
| 152099-02   | S-SERIES |

|          |                 |         |
|----------|-----------------|---------|
| RELEASE  | REV/DATE        | DWG NO  |
|          | A               | 152099  |
| REV ZONE | REVISION RECORD | DATE    |
|          |                 | DTR-016 |



- 16 CABLE SUPPLIED WITH SATELLITE RADIO RECEIVER. PLUG INTO BACK OF RADIO & TIE TO IP,MAIN.
- 15 SEE ANTENNA INST-RADIO & CB FOR ADDITIONAL INFO.
- 14 APPLY FOAM TAPE TO BOTTOM OF FAN TO SEAL FAN TO PANEL.
- 13 REMOVE CONNECTOR FROM FAN & CONNECT TO IP,MAIN: YEL-LF, RED-LE, BLACK-XW, ORG-NOT USED.
- 12 R-SERIES ONLY
- 11 S-SERIES ONLY
- 10 CUT VISOR WIRING TO 300MM BEFORE CONNECTING.
- 9 WIRING FOR LAMP IS LAID UP IN SIDEWALL.
- 8 MOUNT SENSOR WITH DOUBLE SIDED TAPE IN BOTTOM OF FRONT OVHD CABT SO THAT SENSOR FACES FOWARD AS NOTED ON SENSOR LABEL.
- 7 USE TAB -04 FOR MODELS WITH 1 FRONT SLIDEROOM, TAB -05 FOR MODELS WITH 2 FRONT & 1 REAR SLIDEROOM, TAB -06 FOR MODELS WITH 4 SLIDEROOMS.
- 6 USE TAPE 136748-01-000 TO SECURE WIRES IN A-POST.
- 5 WITHOUT (64J) OR (640) COIL WIRE AND TIE BACK WITH MAIN LOOM.
- 4 WIRE ASM MAY BE ROUTED ON EITHER SIDE OF HOLE PATTERN DISTANCE SHOWN AT END POINT OF PATH. LEAVE 675±50 MM OF WIRE
- 3 CONNECT YEL-LF,GRN-LE,BLK-XW

- NOTES:
2. USE SEAL-TRIM 113452-01-000 TO PROTECT WIRES FROM SHARP EDGES.
  1. SEE WIRING INSTL-CHASSIS FOR ADDITIONAL INFORMATION.

DETAIL AB

70C CABLE-ANTENNA 158494-02-000

WIRE ASM-IP,MAIN 152949-01-000

WIRE ASM-ADAPTER, SLIDEOUT

149903-04-000

149903-05-000

149903-06-000

6 & 2 PIN HOUSING TO LEFT MIRROR

70C RECEIVER-SAT RADIO 135420-20-000  
SCREW 639-08-08U (6)

40C RADIO-CB 151935-01-000 (SEE DETAIL GA)

RECEPTACLE-12V 111414-01-000 (SEE DETAIL AD)

BRACKET-RELAY PANEL 145448-01-CHT  
SCREW 667-10-08U (4)

12V BREAKER PANEL (SEE DETAIL CA)

DOOR ASM 145066-03-CHT  
SCREW 667-06-10U (6)  
SCREW 667-10-08U (4)

FAN-DEFROSTER 122856-01-CHT (2)  
SCREW 639-08-12B (6)  
FAN-DEFROSTER 154851-01-000  
TAPE-FOAM 99069-01-000 (120) (4)  
(45) (4)  
SCREW 611-08-12B (12)

(2) BUTT SPLICES TO RIGHT SUNVISOR HHM-(WHT) HHN-(WHT/GRY)

(2) BUTT SPLICES TO LEFT SUNVISOR HHK-(WHT) HHL-(WHT/GRY)

COMPASS SENSOR (SEE DETAIL AB)

RECEPTACLE-12V 111414-01-000 (SEE DETAIL AD)

15

WIRING TO OUTSIDE (SEE SHT 9)

WIRE ASM-IP,MAIN 152949-01-000

WIRE ASM-ADAPTER, SLIDEOUT

149903-04-000

149903-05-000

149903-06-000

6 & 2 PIN HOUSING TO LEFT MIRROR

70C RECEIVER-SAT RADIO 135420-20-000  
SCREW 639-08-08U (6)

40C RADIO-CB 151935-01-000 (SEE DETAIL GA)

RECEPTACLE-12V 111414-01-000 (SEE DETAIL AD)

BRACKET-RELAY PANEL 145448-01-CHT  
SCREW 667-10-08U (4)

12V BREAKER PANEL (SEE DETAIL CA)

DOOR ASM 145066-03-CHT  
SCREW 667-06-10U (6)  
SCREW 667-10-08U (4)

2 PIN HSG TO CLEARANCE LIGHTS

(2) BUTT SPLICES TO SPOT LAMP

10 PIN HSG TO SPEAKER SWITCH

LIGHT-READING 128786-02-CHT (2)  
SCREW 611-08-16J (4)  
CONNECTOR 58028-01-000 (4)  
BULB 123917-01-000 (2)

TAPE (2) (400 MM) 6

(2) BUTT SPLICES TO CENTER SUNVISOR RRM-(WHT) RRN-(WHT/GRY)

TO COURTESY LAMP

DOOR LOCK WIRING (SEE DETAIL AE)

SWITCHES (SEE DETAIL FB)

COVER-WIRE 145061-01-CHT  
SCREW 667-10-08U (2)

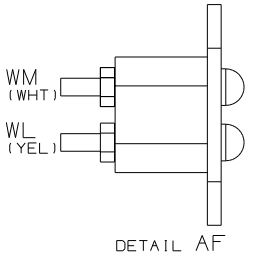
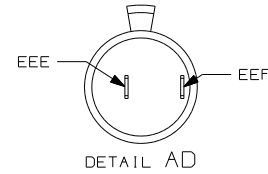
SPEAKER - 6X9 124884-01-000  
GRILLE 151844-01-CHT  
SCREW 611-08-10U (4)  
SPEAKER 150090-01-000  
GRILLE 151569-01-CHT  
SCREW 667-10-12U (4)  
SUPPORT 125293-02-000

PANEL ASM 145063-01-CHT  
SCREW 667-06-10U (6)

SWITCH-PUSHBUTTON 41250-01-000  
SCREW 639-08-16E (2)

LIGHT-SURFACE MOUNT 86280-01-000  
SCREW 667-10-08U (2)

2 PIN HOUSING TO WIRE ASM-IP,MAIN



- 70C RADIO - SATELLITE
- 640 SEAT PED-6-WAY POWER DRIVER
- 64J SEAT PED-6-WAY DR/PASS POWER
- 40J CB RADIO PREP
- 40C RADIO - CB
- 20C SOUND SYS. DLX. W/O-SURROUND
- 19D SLIDEOUT ROOM REAR LEFTHAND
- 1D2 SLIDEOUT ROOM-REAR RIGHTHAND
- 092 SLIDEOUT ROOM - FRONT RIGHT
- 09L SLIDEOUT ROOM - FRONT LEFT

1B1 265



|      |                                   |
|------|-----------------------------------|
| DTR  | ORIG. DATE                        |
| CHKR | ALL DIMENSIONS ARE IN MILLIMETERS |
| P.E. | FIRST USED                        |
| M.E. | 06 S&R-SER                        |
| DSNR |                                   |

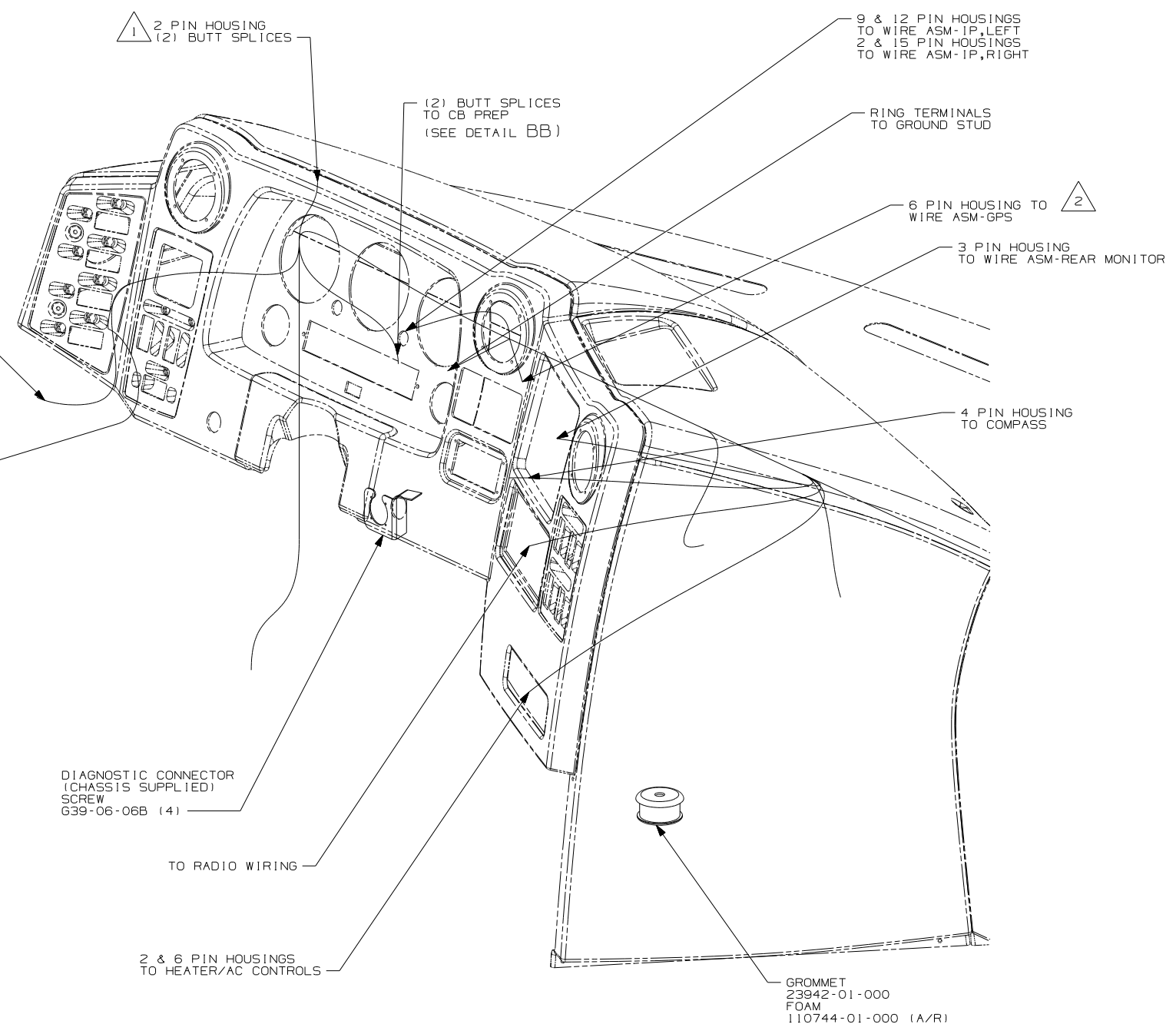
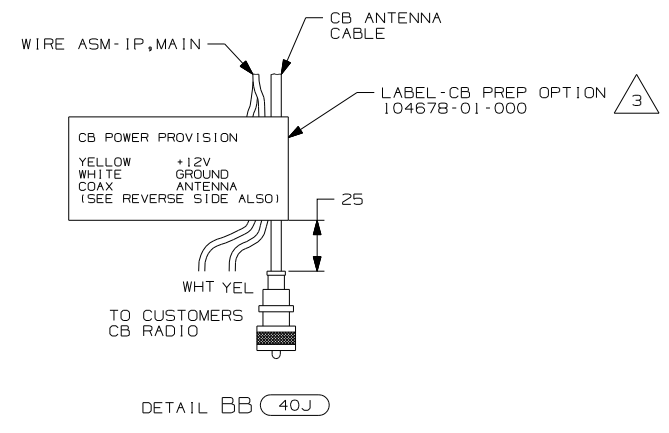
|                             |           |
|-----------------------------|-----------|
| UNSPECIFIED TOLERANCES ARE: | MATERIAL: |
| WHOLE DIM (X)               | :         |
| ONE-PLACE (X.X)             | :         |
| TWO-PLACE (X.XX)            | :         |
| ANGLE                       | :         |
| THIRD ANGLE PROJECTION      |           |

DO NOT SCALE DRAWING

|              |                        |
|--------------|------------------------|
| TITLE:       | WIRING INSTL-FRONT END |
| SHEET 1 OF 8 | PART NO 152099 REV     |

FOR ELECTRICAL TORQUE SPECIFICATIONS SEE DWG NO. 128783-01-000

FOR ELECTRICAL CALLOUTS SEE DWG NO. 121339-01-000



DETAIL BA

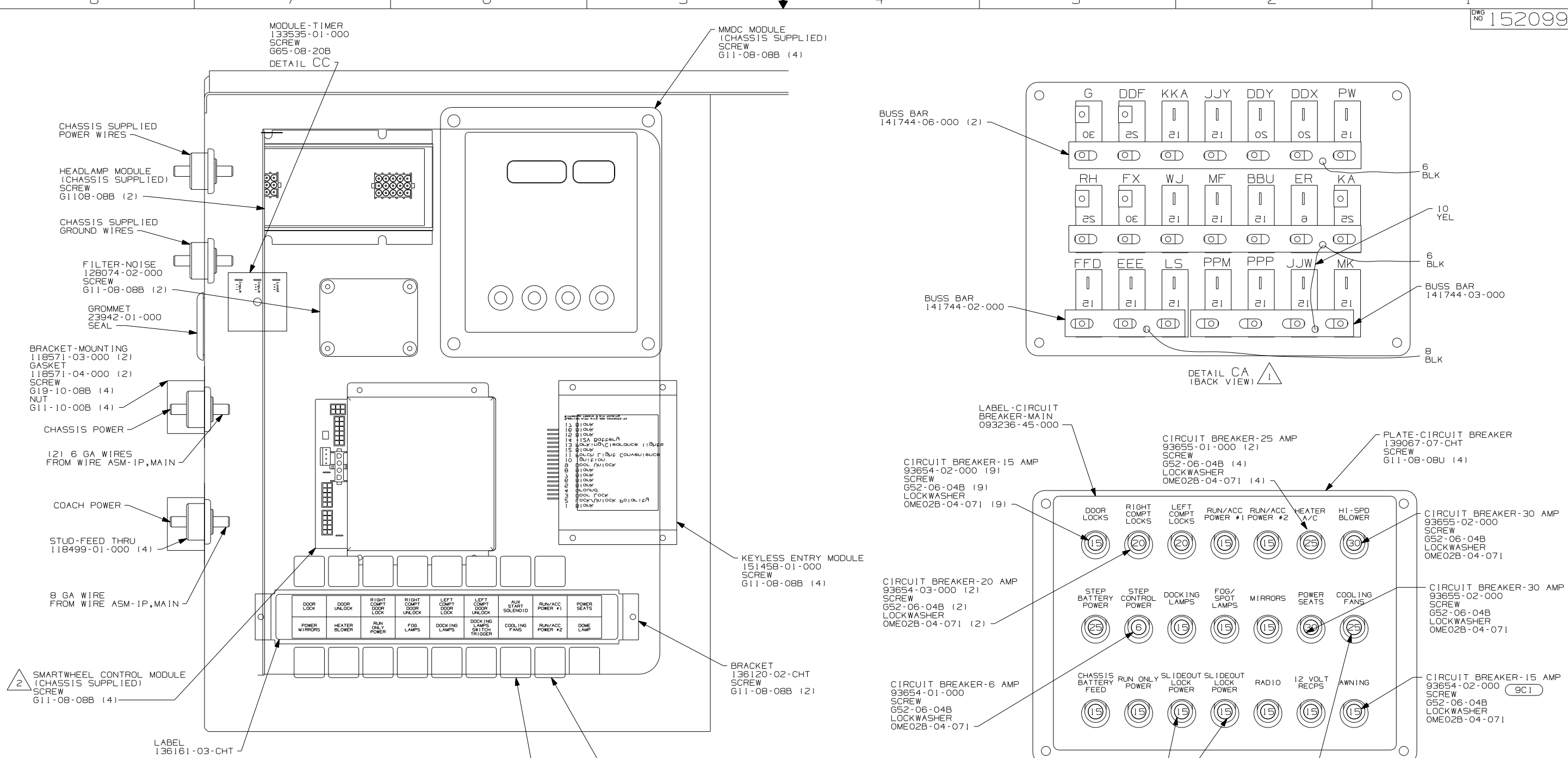
- NOTES:
- 3 EDGE OF LABEL TO HANG JUST BELOW BOTTOM OF DASH.
  - 2 SEE WIRING INSTL-GPS FOR ADDITIONAL INFORMATION, TIE BACK INTO MAIN LOOM WITHOUT 15D.
  - 1 ROUTE WIRES UP LEFT A-PILLAR.

FOR ELECTRICAL  
 TORQUE  
 SPECIFICATIONS  
 SEE DWG NO.  
 128783-01-000

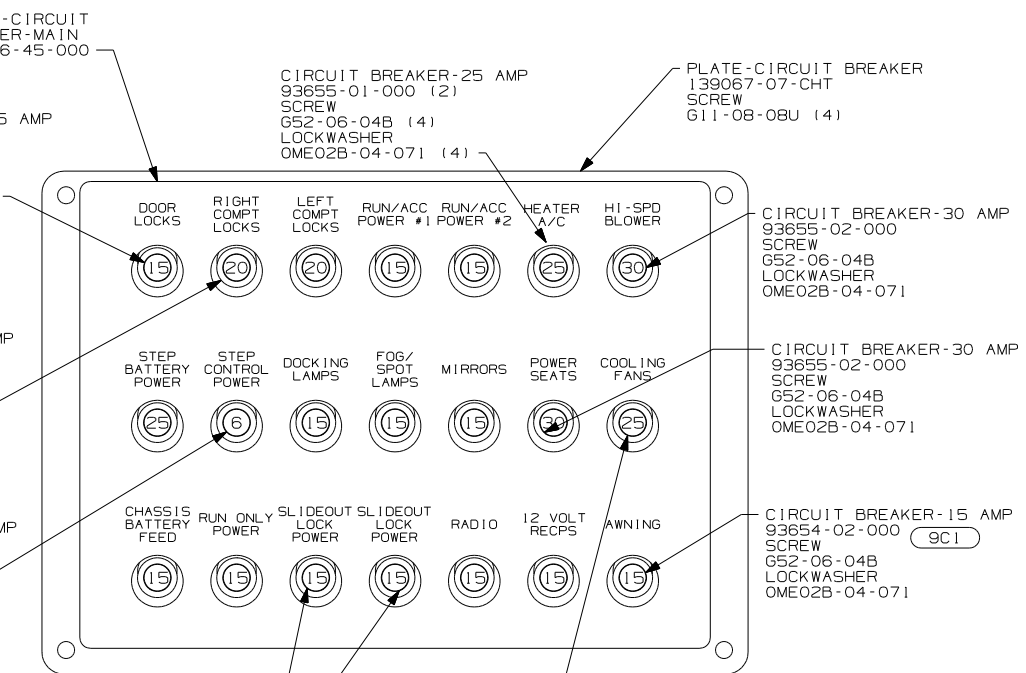
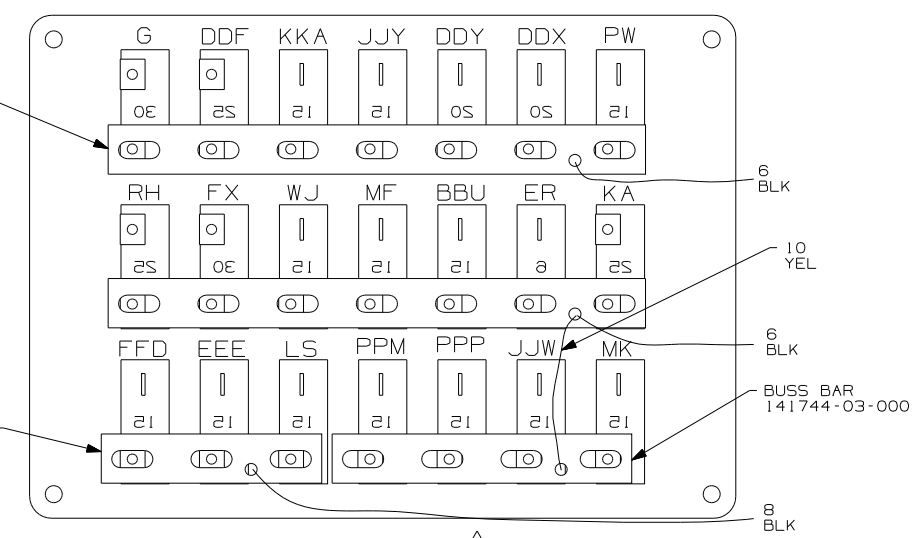
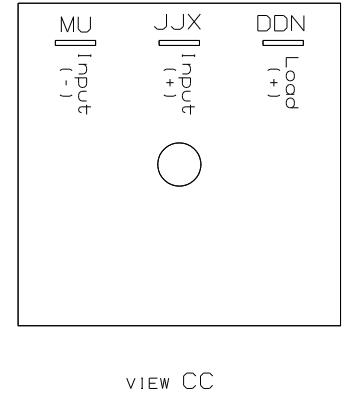
X-X FOR  
 ELECTRICAL  
 CALLOUTS  
 SEE DWG NO.  
 121339-01-000

40J CB RADIO PREP  
15D GSP-NAVIGATION SYSTEM

|                                  |         |            |     |
|----------------------------------|---------|------------|-----|
| FIRST USED                       |         | 06 S&R-SER |     |
| DO NOT SCALE DRAWING             |         |            |     |
| TITLE:<br>WIRING INSTL-FRONT END |         |            |     |
| SHEET 2                          | PART NO | 152099     | REV |



- NOTES:
- 3 SEAL ALL SCREWS ON EXTERIOR SIDE OF COMPARTMENT. REFER TO SEALANT MANUAL.
  - 2 CHASSIS SUPPLIED LOOM IS LABELED TO CORRESPOND WITH LABEL ON MODULE.
  - 1 CIRCUITS LABELED ON BREAKER ARE FROM WIRE ASM-1P, MAIN, UNLESS OTHERWISE SPECIFIED.

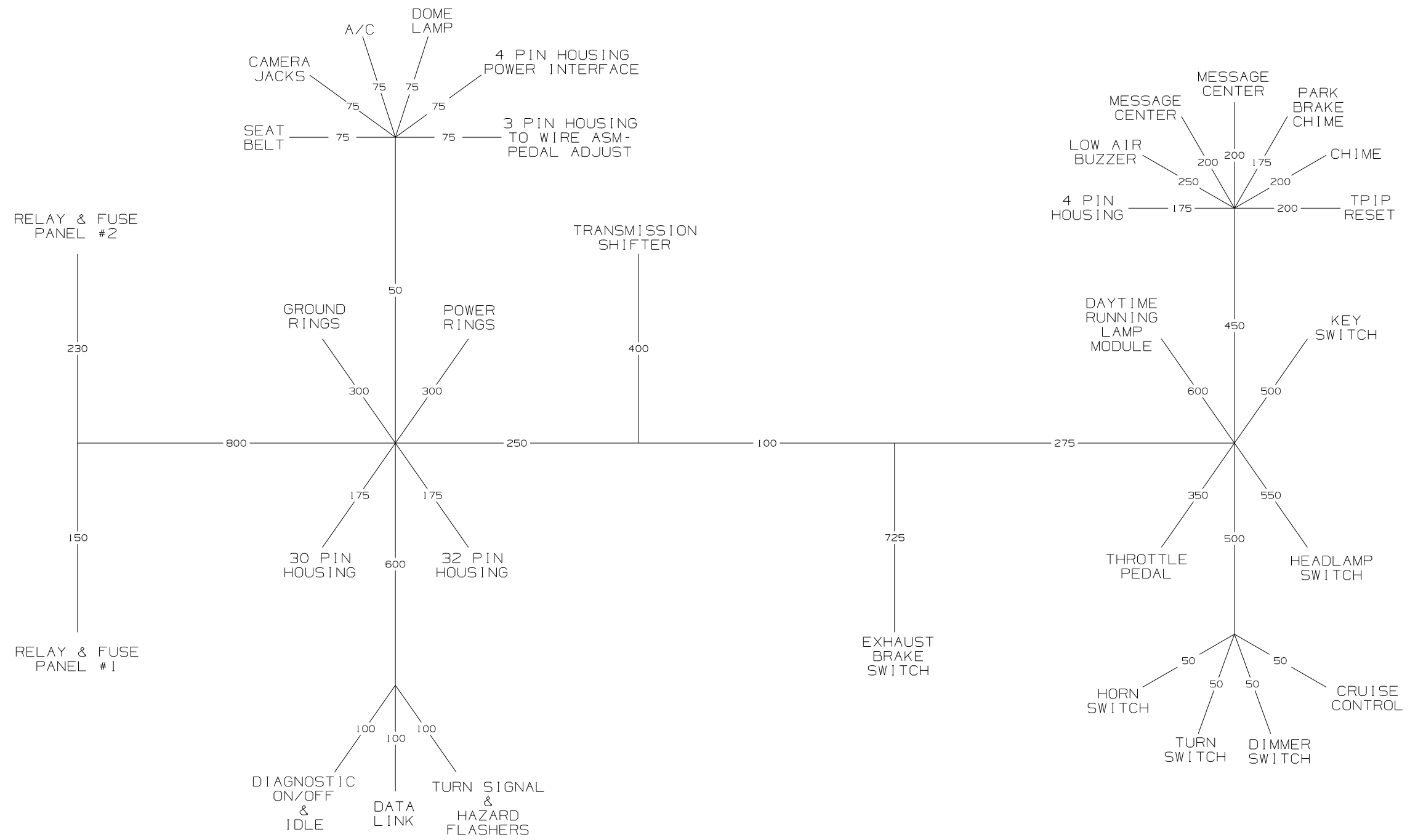


- IFU FRTL 32,000 350HP 7.2L 6 SPD
- ILB FRTL 32,000 350 6SP IFS
- ILC FRTL 29,410 350 7.2L 6 SPEED
- 640 SEAT PED-6-WAY DR/PASS POWER
- 64J SEAT PED-6-WAY DR/PASS POWER
- 9C1 AWNING-ELECTRIC PACKAGE

FOR ELECTRICAL TORQUE SPECIFICATIONS SEE DWG NO. 128783-01-000

FOR ELECTRICAL CALLOUTS SEE DWG NO. 121339-01-000

|            |                        |        |
|------------|------------------------|--------|
| FIRST USED | 06 S&R-SER             |        |
| TITLE:     | DO NOT SCALE DRAWING   |        |
|            | WIRING INSTL-FRONT END |        |
| SHEET 3    | PART NO                | 152099 |

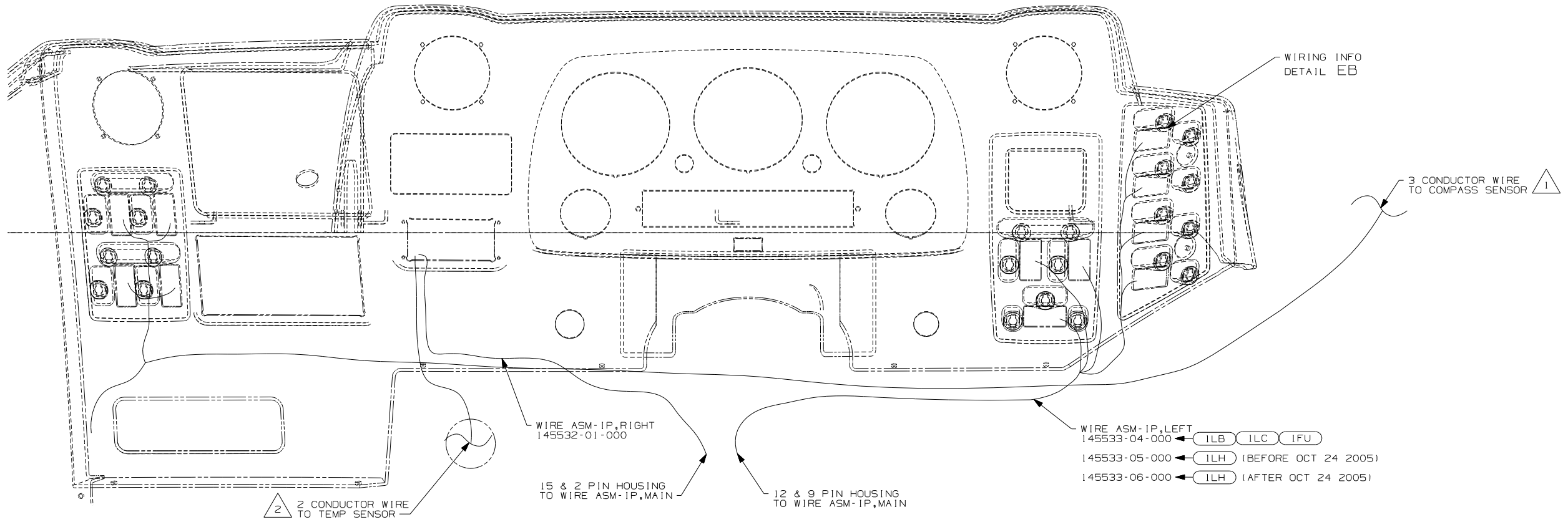


FOR ELECTRICAL TORQUE SPECIFICATIONS SEE DWG NO. 128783-01-000

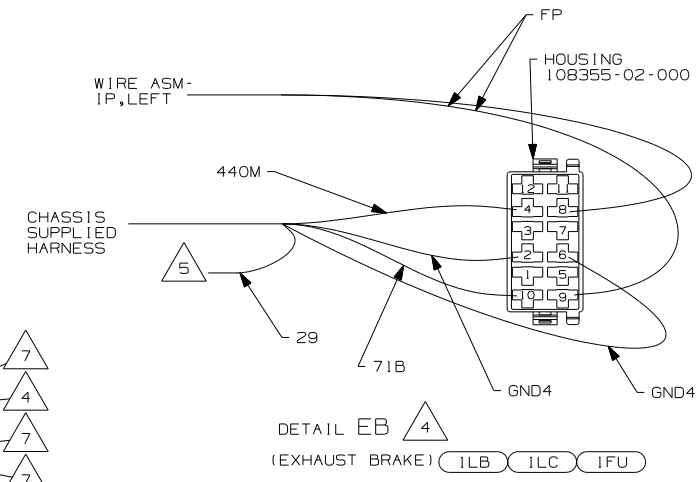
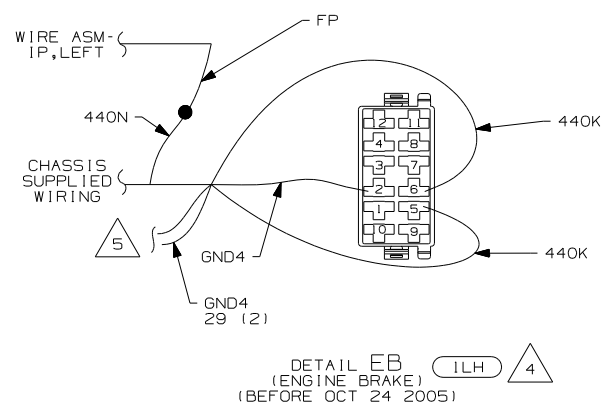
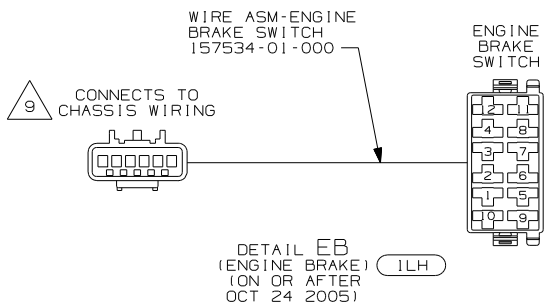
(X-X) FOR ELECTRICAL CALLOUTS SEE DWG NO. 121339-01-000

|                               |         |            |     |
|-------------------------------|---------|------------|-----|
| FIRST USED                    |         | 06 S&R-SER |     |
| DO NOT SCALE DRAWING          |         |            |     |
| TITLE: WIRING INSTL-FRONT END |         |            |     |
| SHEET 4                       | PART NO | 152099     | REV |

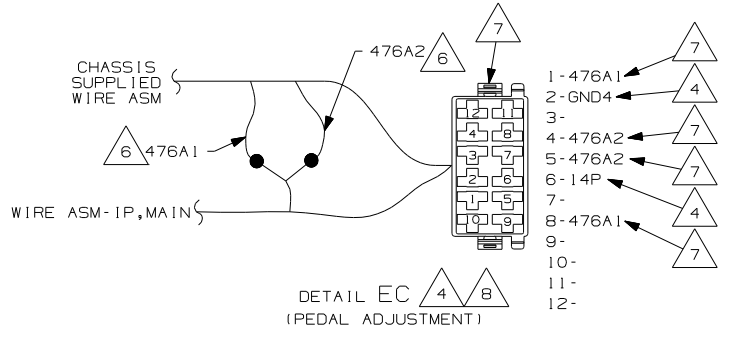




VIEW EA



- 9 CHASSIS WIRING HAS MATING CONNECTOR & IS LABELED "ENGINE BRAKE SWITCH."
- 8 S-SERIES ONLY
- 7 HOUSING AND CIRCUITS 476A1 & 476A2 ARE PART OF WIRE ASM-IP,MAIN.
- 6 CUT TERMINAL FROM CHASSIS WIRE AND BUTT CONNECT TO WIRE ASM-IP,MAIN AS SHOWN.
- 5 CIRCUITS NOT USED. CUT OFF TERMINALS, WRAP WIRE WITH TAPE, AND SECURE BACK INTO LOOM.
- 4 REMOVE TERMINALS FROM HOUSING ON CHASSIS SUPPLIED WIRE ASM. THEN REHOUSE TERMINALS IN HOUSING AS SHOWN.
- 3 CUT TERMINALS OFF FL WIRE ASSEMBLY AND BUTT SPLICE.
- 2 ROUTE OUT FRONT END W/WIRE ASM-IP,MAIN.
- 1 ROUTE UP LEFT A-PILLAR.

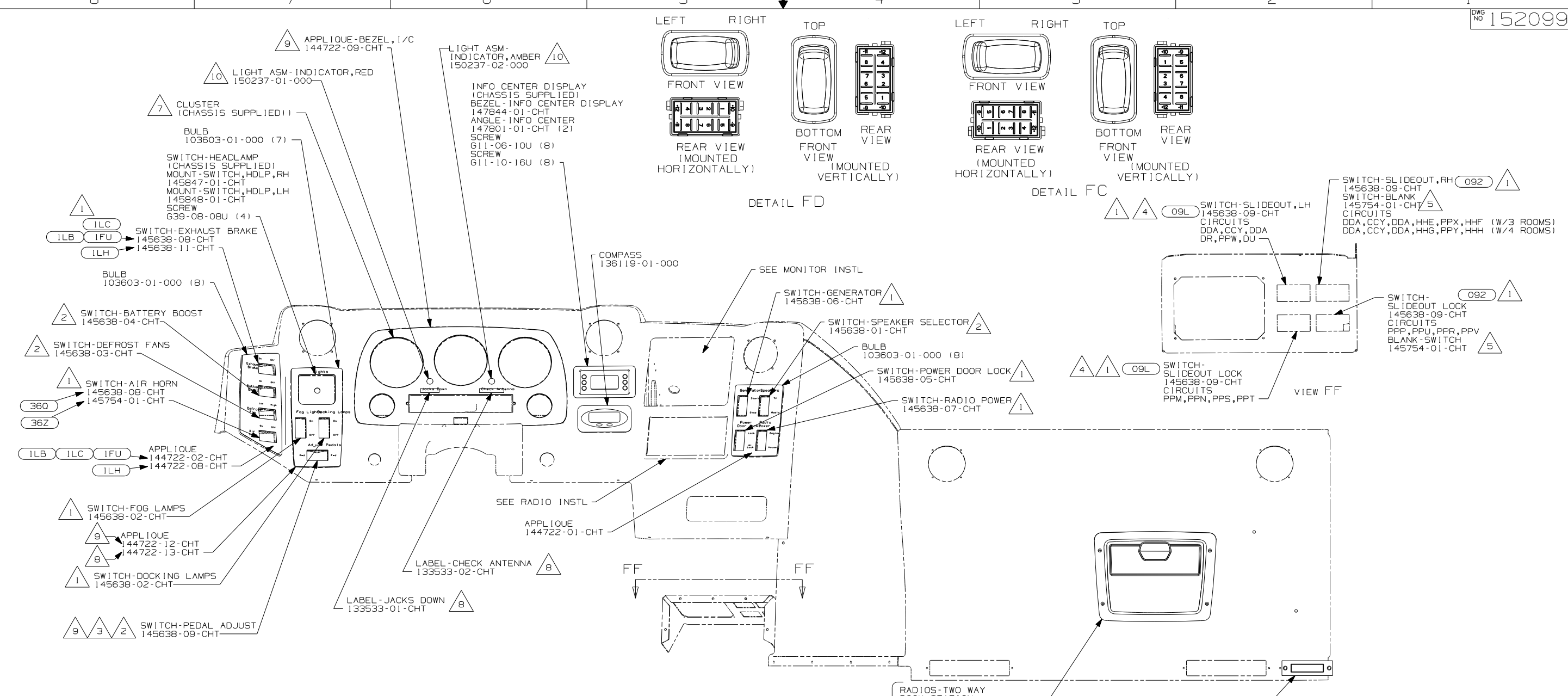


- (IFU) FRTL 32,000 350HP 7.2L 6 SPD
- (ILH) FRTL 34,320 400 6SP IFS
- (ILC) FRTL 29,410 350 7.2L 6 SPEED
- (ILB) FRTL 32,000 350 6SP IFS

|                               |                    |
|-------------------------------|--------------------|
| FIRST USED                    |                    |
| 06 S&R-SER                    |                    |
| DO NOT SCALE DRAWING          |                    |
| TITLE: WIRING INSTL-FRONT END |                    |
| SHEET 5                       | PART NO 152099 REV |

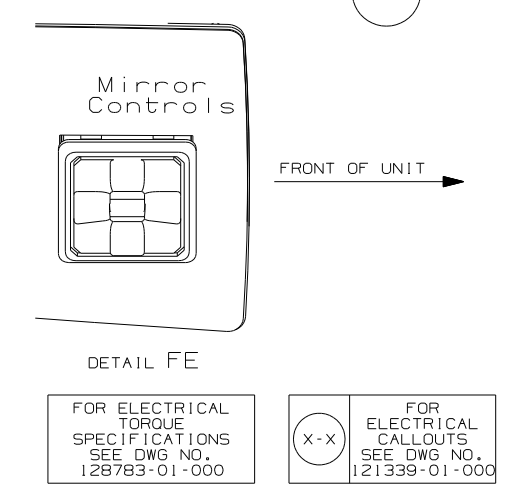
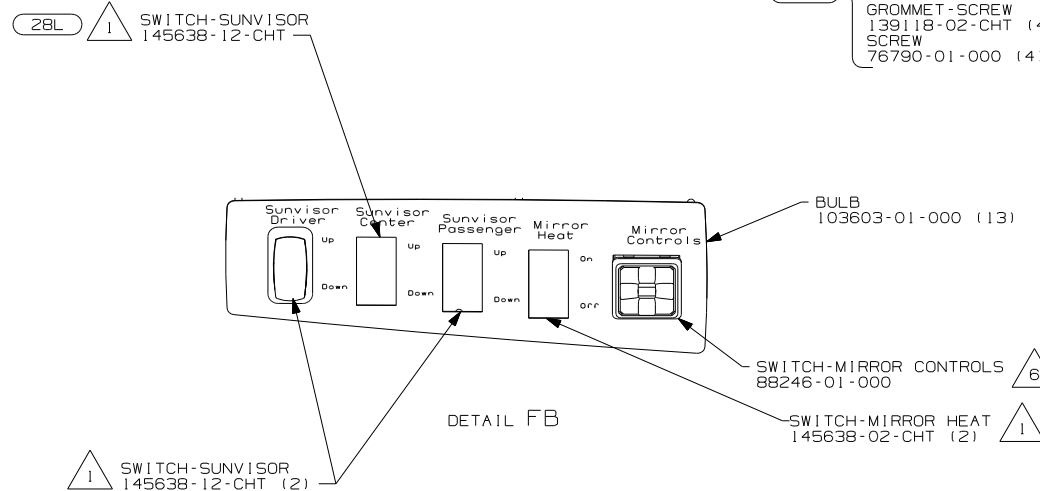
FOR ELECTRICAL TORQUE SPECIFICATIONS SEE DWG NO. 128783-01-000

(X-X) FOR ELECTRICAL CALLOUTS SEE DWG NO. 121339-01-000



- △ 10 CONNECT POSITIVE WIRE TO TERMINAL MARKED WITH A "+", YEL-WINNEBAGO WIRING RED-HWH WIRING
- △ 9 S-SERIES ONLY
- △ 8 R-SERIES ONLY
- △ 7 SEE SHEET 7 FOR CANADIAN GAUGES AND GAUGE PLACEMENT.
- △ 6 MOUNT SWITCH SO WHEN ACTUATOR IS PUSHED LEFT, THE LETTER L IS SHOWING. DETAIL FE.
- △ 5 WITHOUT (092).
- △ 4 HOUSING ON WIRE ASM IS MARKED WITH YELLOW TAPE.
- △ 3 FOR SWITCH WIRING SEE DETAIL EC
- △ 2 FOR SWITCH ORIENTATION SEE DETAIL FD.
- △ 1 FOR SWITCH ORIENTATION SEE DETAIL FC.

NOTES:

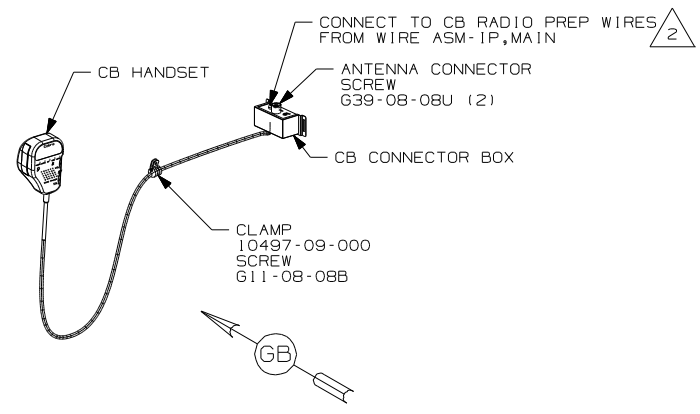


FOR ELECTRICAL TORQUE SPECIFICATIONS SEE DWG NO. 128783-01-000

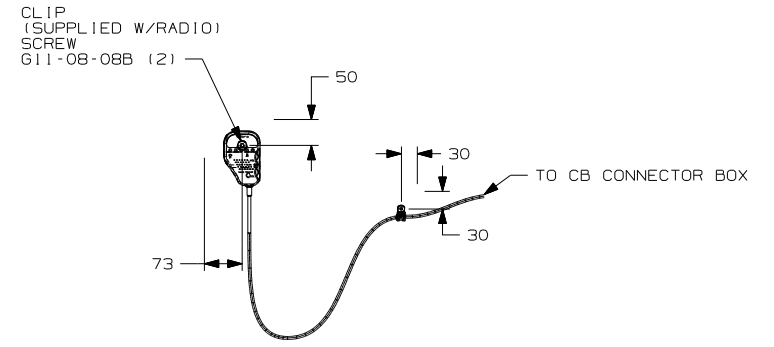
FOR ELECTRICAL CALLOUTS SEE DWG NO. 121339-01-000

- (28L) SUNVISORS - POWERED (3)
- (28J) SUNVISORS - POWERED (2)
- (36Z) AIR HORNS - WITHOUT
- (360) AIR HORNS-CHROME
- (1FU) FRTL 32,000 350HP 7.2L 6 SPD
- (ILH) FRTL 34,320 400 6SP 1FS
- (ILC) FRTL 29,410 350 7.2L 6 SPEED
- (ILB) FRTL 32,000 350 6SP 1FS
- (09L) SLIDEOUT ROOM FRONT LEFT
- (092) SLIDEOUT ROOM - FRONT RIGHT
- (50H) RADIOS TWO-WAY (4)

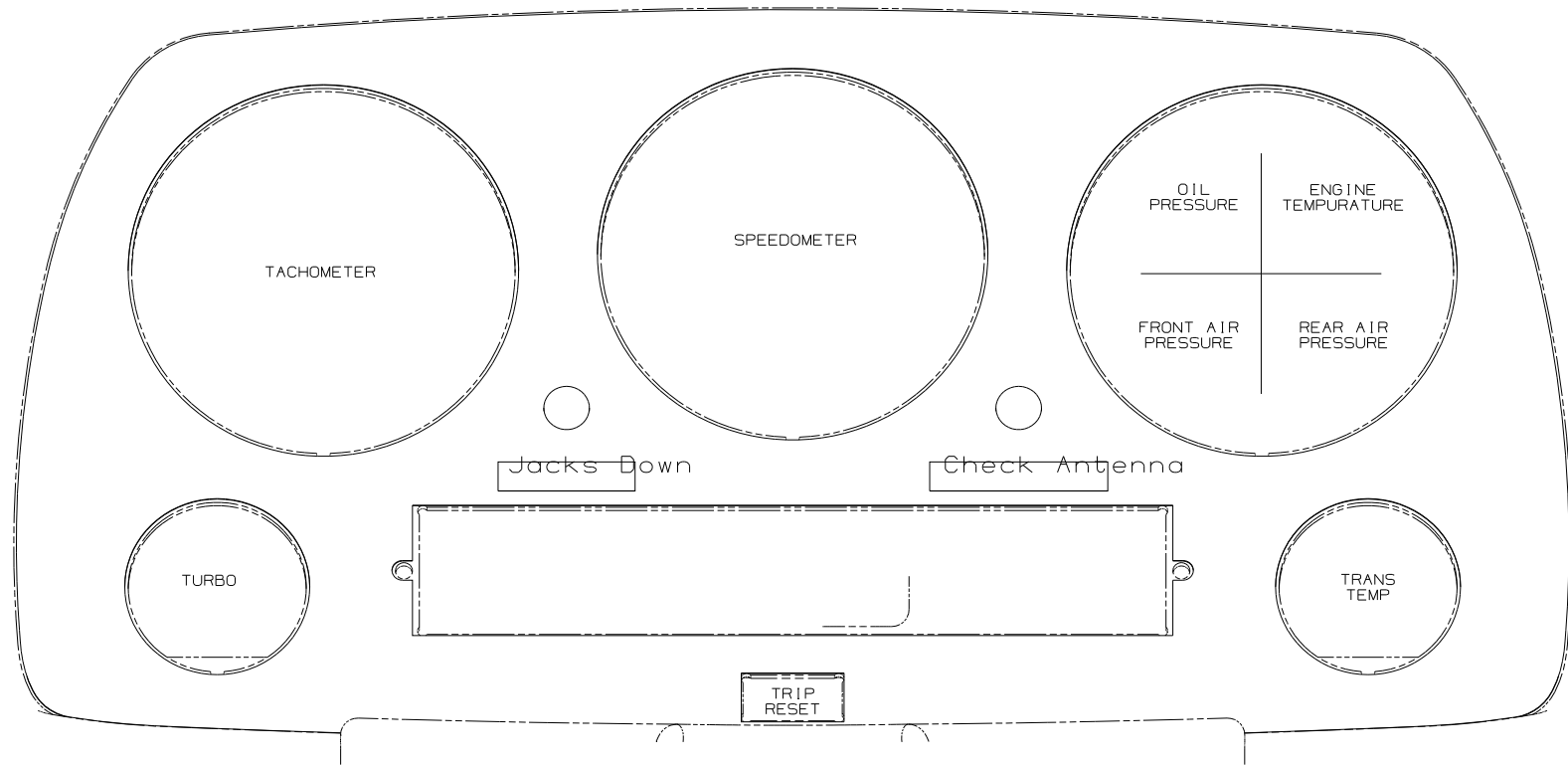
|            |                        |     |
|------------|------------------------|-----|
| FIRST USED | 06 S&R-SER             |     |
| TITLE:     | DO NOT SCALE DRAWING   |     |
|            | WIRING INSTL-FRONT END |     |
| SHEET 6    | PART NO 152099         | REV |



DETAIL GA 40C



DETAIL GB 40C



2 CONNECT RED FROM CONNECTOR BOX TO YELLOW IN IP,MAIN AND BLK/RED TO WHITE.

1. ALL STANDARD GAUGES, RETAINER CLIPS AND FASTENERS ARE CHASSIS SUPPLIED.

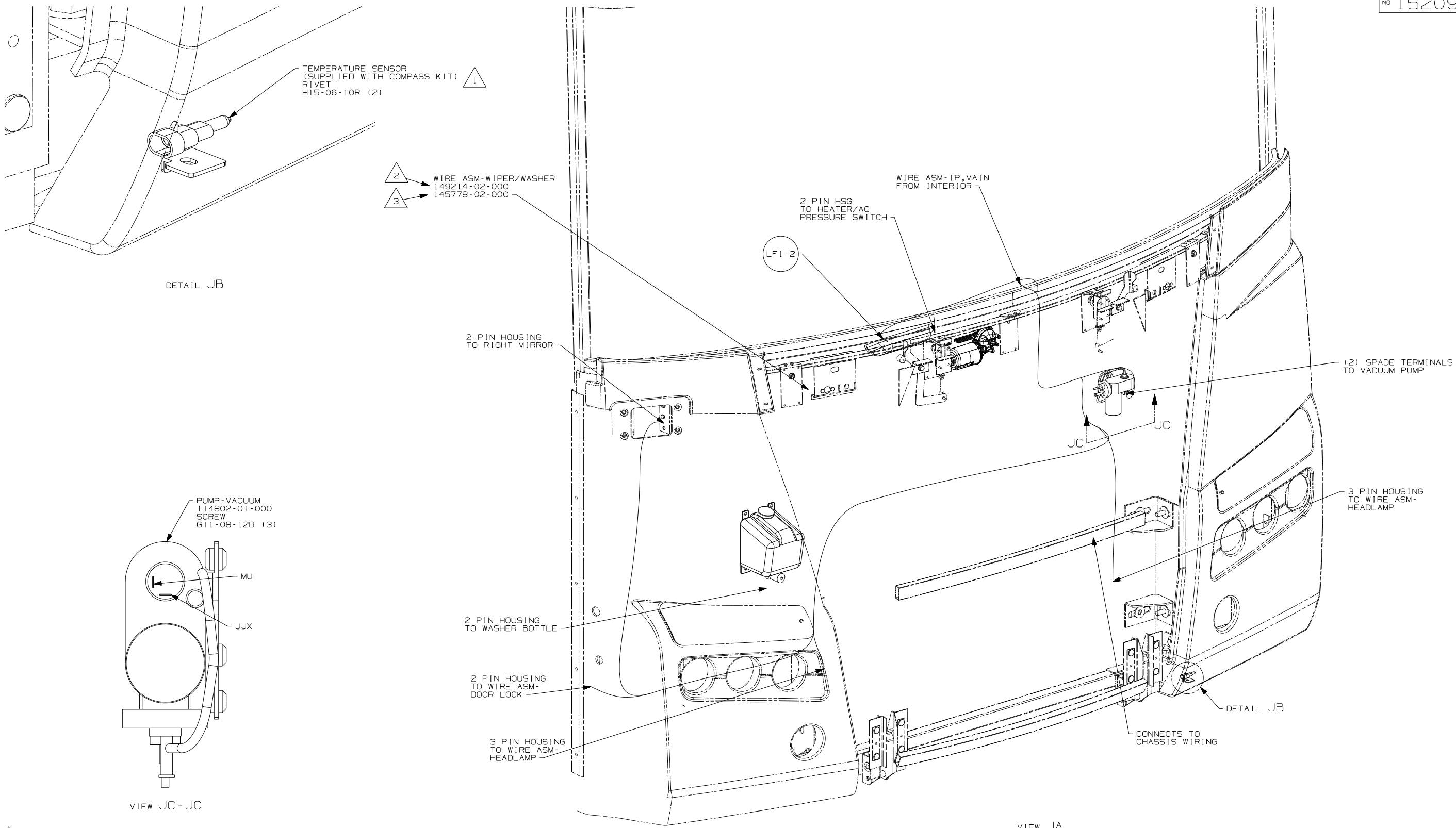
NOTES:

FOR ELECTRICAL TORQUE SPECIFICATIONS SEE DWG NO. 128783-01-000

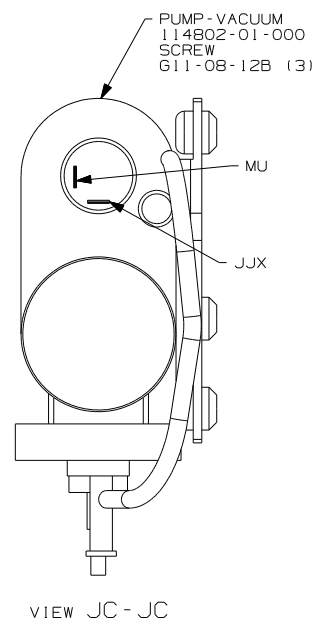
(X-X) FOR ELECTRICAL CALLOUTS SEE DWG NO. 121339-01-000

40C RADIO - CB

|            |                        |            |
|------------|------------------------|------------|
| FIRST USED | 06 S&R-SER             |            |
| TITLE      | DO NOT SCALE DRAWING   |            |
| TITLE      | WIRING INSTL-FRONT END |            |
| SHEET 7    | PART NO                | 152099 REV |



DETAIL JB



VIEW JC-JC

VIEW JA (CENTER PANEL REMOVED)

- NOTES:
- 3 S-SERIES ONLY.
  - 2 R-SERIES AND ITASCA AFTER 11-28-05 (ONE PIECE WINDSHIELD)
  - 1 DRILL 5MM HOLE IN LOWER LIP OF FIBERGLASS IN AREA SHOWN.

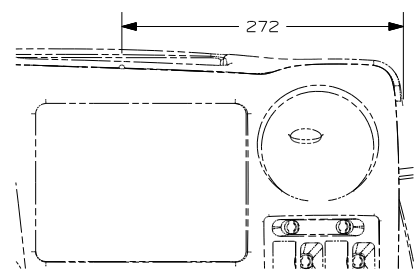
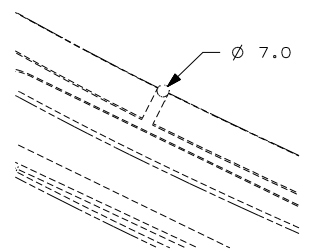
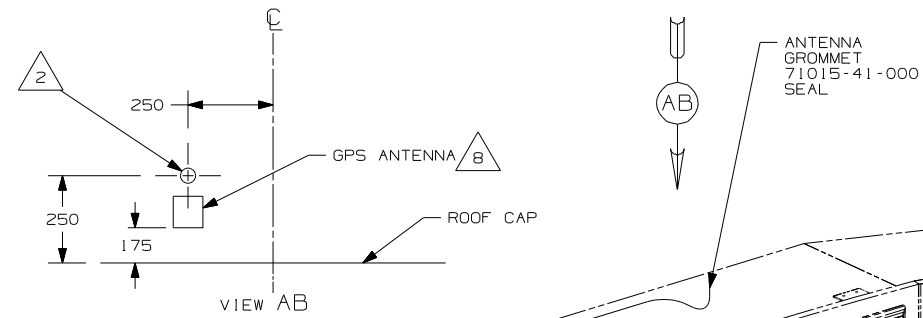
FOR ELECTRICAL TORQUE SPECIFICATIONS SEE DWG NO. 128783-01-000

X-X FOR ELECTRICAL CALLOUTS SEE DWG NO. 121339-01-000

|                               |         |         |     |
|-------------------------------|---------|---------|-----|
| FIRST USED                    |         | IB1 265 |     |
| 06 S&R-SER                    |         |         |     |
| DO NOT SCALE DRAWING          |         |         |     |
| TITLE: WIRING INSTL-FRONT END |         |         |     |
| SHEET 9                       | PART NO | 152099  | REV |

| DRAWING NO. | MODEL        | SHEET |
|-------------|--------------|-------|
| 152094-01   | R & S SERIES | 1,5   |
| 152094-02   | P-SERIES     | 2,5   |
| 152094-03   | G-SERIES     | 3,5   |
| 152094-04   | F-SERIES     | 4,5   |

|          |                 |               |
|----------|-----------------|---------------|
| RELEASE  | REV/DATE        | DWG NO        |
|          | A               | 152094        |
| REV ZONE | REVISION RECORD | DATE DFR-ORIG |



- 11 5 GPS-NAVIGATION SYST,DVD  
137424-01-000
- FASTENER-DUAL LOCK  
85774-01-000 (300 MM)
- 85774-02-000 (300 MM)

- 3 SCREW  
G39-08-08E

- 10 6 MONITOR-LCD,COLOR 6.5"  
137424-07-000
- 137424-06-000
- BRACKET ASM-MONITOR  
137424-04-000
- SCREW  
G11-08-08T (5)

- 1 AV INTERFACE UNIT  
FASTENER-DUAL LOCK  
085774-01-000 (300MM)
- 085774-02-000 (300MM)

- 10 CABLE-RCA,MALE-MALE

SEE DETAIL AA FOR HOLE LOCATION FOR CABLE ROUTING

CABLE ASM-MONITOR,SONY

REMOTE CONTROL 7

6 PIN HOUSING TO WIRE ASM-IP,MAIN

- 52T CD CHANGER-10 DISC
- 15D GPS-NAVIGATION SYSTEM

- 15D



|      |                                   |
|------|-----------------------------------|
| DFTR | ORIG. DATE                        |
| CHKR | ALL DIMENSIONS ARE IN MILLIMETERS |
| P.E. |                                   |
| M.E. | FIRST USED                        |
| DSNR | 06 S-SER                          |

|                             |           |
|-----------------------------|-----------|
| UNSPECIFIED TOLERANCES ARE: | MATERIAL: |
| HOLE DIM (X) :              |           |
| ONE-PLACE (X,X) :           | 1         |
| TWO-PLACE (X,XX) :          |           |
| ANGLE :                     |           |
| THIRD ANGLE PROJECTION :    |           |

DO NOT SCALE DRAWING

|              |                  |
|--------------|------------------|
| TITLE:       | WIRING INSTL-GPS |
| SHEET 1 of 5 | PART NO 152094   |

REF: 1 6/15/2006

11 MOUNT GPS-NAVIGATION SYST. IN OVERHEAD AS FAR TO THE LEFT AS POSSIBLE. WITH 52T MOUNT GPS-NAVIGATION SYST. TO THE RIGHT OF THE CD CHANGER AS FAR TO THE LEFT AS POSSIBLE.

10 S-SERIES ONLY

9 R-SERIES ONLY

8 CLEAN ROOF & ANTENNA AND USE TAPE-FOAM,DBL 076322-05 TO ATTACH ANTENNA TO ROOF.

7 MOUNT REMOTE WITH WITH SUPPLIED BRACKET AND SCREWS.

6 MOUNT MONITOR SO IT IS CENTERED IN RECESSED AREA ON DASH.

5 LOAD MAP DVD INTO PLAYER AND SAVE DVD CASE AND DOCUMENTATION WITH OWNER'S MANUAL.

4 SEE SHEET 5 FOR SPLICING INFORMATION.

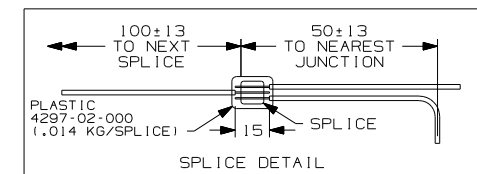
3 PULL BLACK WIRE FROM LOOM AND SCREW TO STEEL SIDE-PANEL OF OVHD.

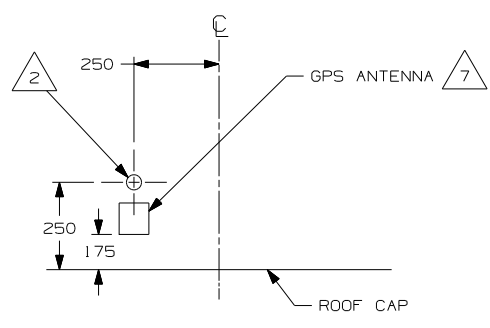
2 DRILL 15MM HOLE IN FIBERGLASS ROOF CAP AND SLIDE ANTENNA WIRE INTO GROMMET AND SEAL.

1 AV INTERFACE UNIT COMES WITH MONITOR-LCD,COLOR 6.5"

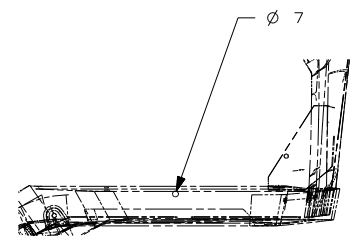
NOTES:

FOR ELECTRICAL CALLOUTS SEE DWG NO. 121339-01-000

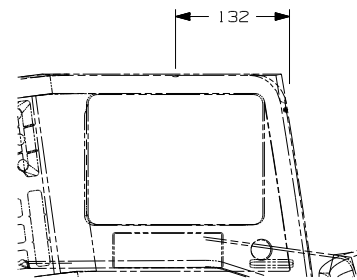




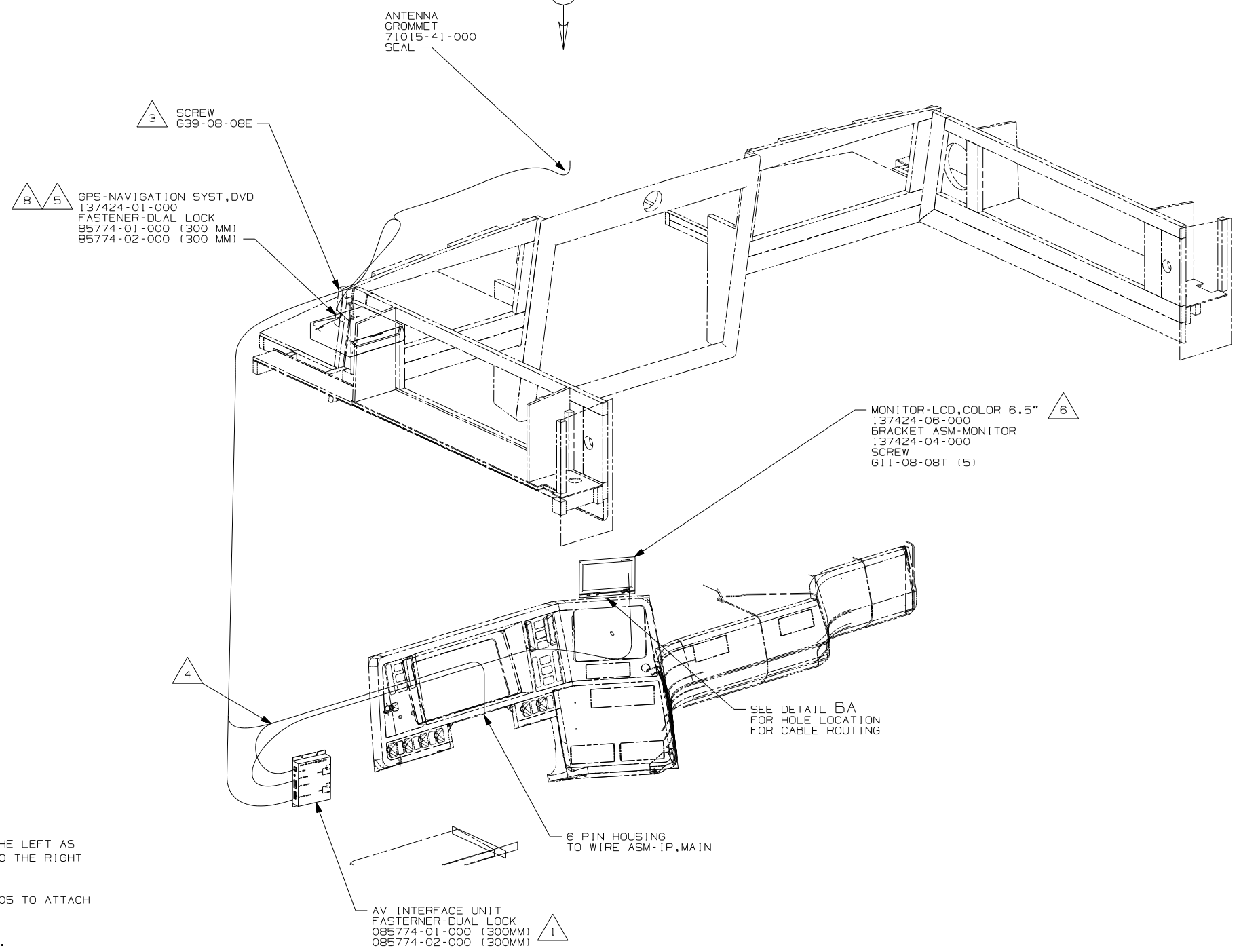
VIEW BB



DETAIL BA (TOP VIEW)



DETAIL BA

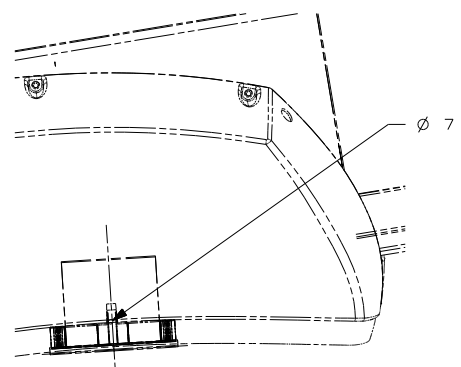


- 8 MOUNT GPS-NAVIGATION SYST. IN OVERHEAD AS FAR TO THE LEFT AS POSSIBLE. WITH (52T) MOUNT GPS-NAVIGATION SYST. TO THE RIGHT OF THE CD CHANGER AS FAR TO THE LEFT AS POSSIBLE.
- 7 CLEAN ROOF & ANTENNA AND USE TAPE-FOAM, DBL 076322-05 TO ATTACH ANTENNA TO ROOF.
- 6 MOUNT MONITOR SO IT IS CENTERED ABOVE REAR MONITOR.
- 5 LOAD MAP DVD INTO PLAYER AND SAVE DVD CASE AND DOCUMENTATION WITH OWNER'S MANUAL.
- 4 SEE SHEET 5 FOR SPLICING INFORMATION.
- 3 PULL BLACK WIRE FROM LOOM AND SCREW TO STEEL SIDE-PANEL OF OVHD.
- 2 DRILL 15MM HOLE IN FIBERGLASS ROOF CAP AND SLIDE ANTENNA WIRE INTO GROMMET AND SEAL.
- 1 AV INTERFACE UNIT COMES WITH MONITOR-LCD, COLOR 6.5"

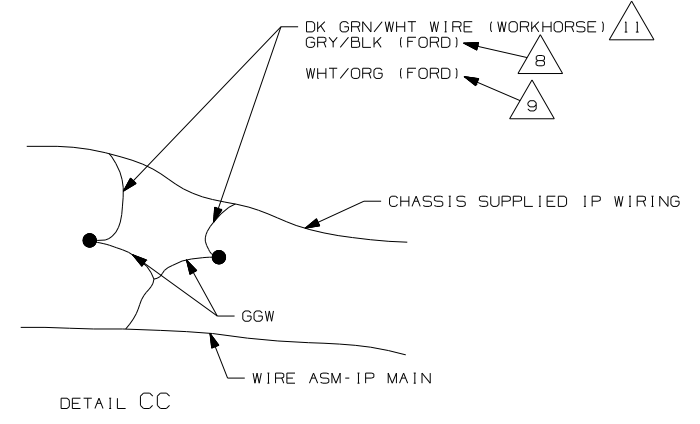
NOTES:

- (52T) CD CHANGER-10 DISC
- (15D) GPS-NAVIGATION SYSTEM

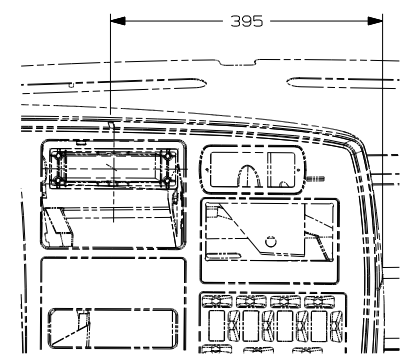
|                         |         |          |     |
|-------------------------|---------|----------|-----|
| FIRST USED              |         | 06 P-SER |     |
| DO NOT SCALE DRAWING    |         |          |     |
| TITLE: WIRING INSTL-GPS |         |          |     |
| SHEET 2                 | PART NO | 152094   | REV |



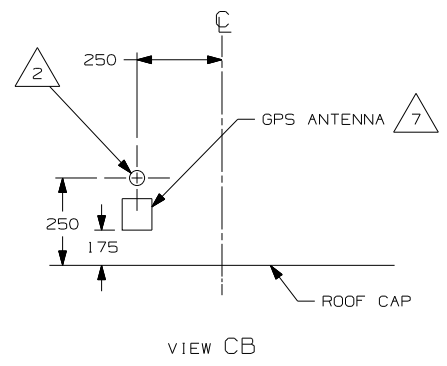
DETAIL CA  
(TOP VIEW)



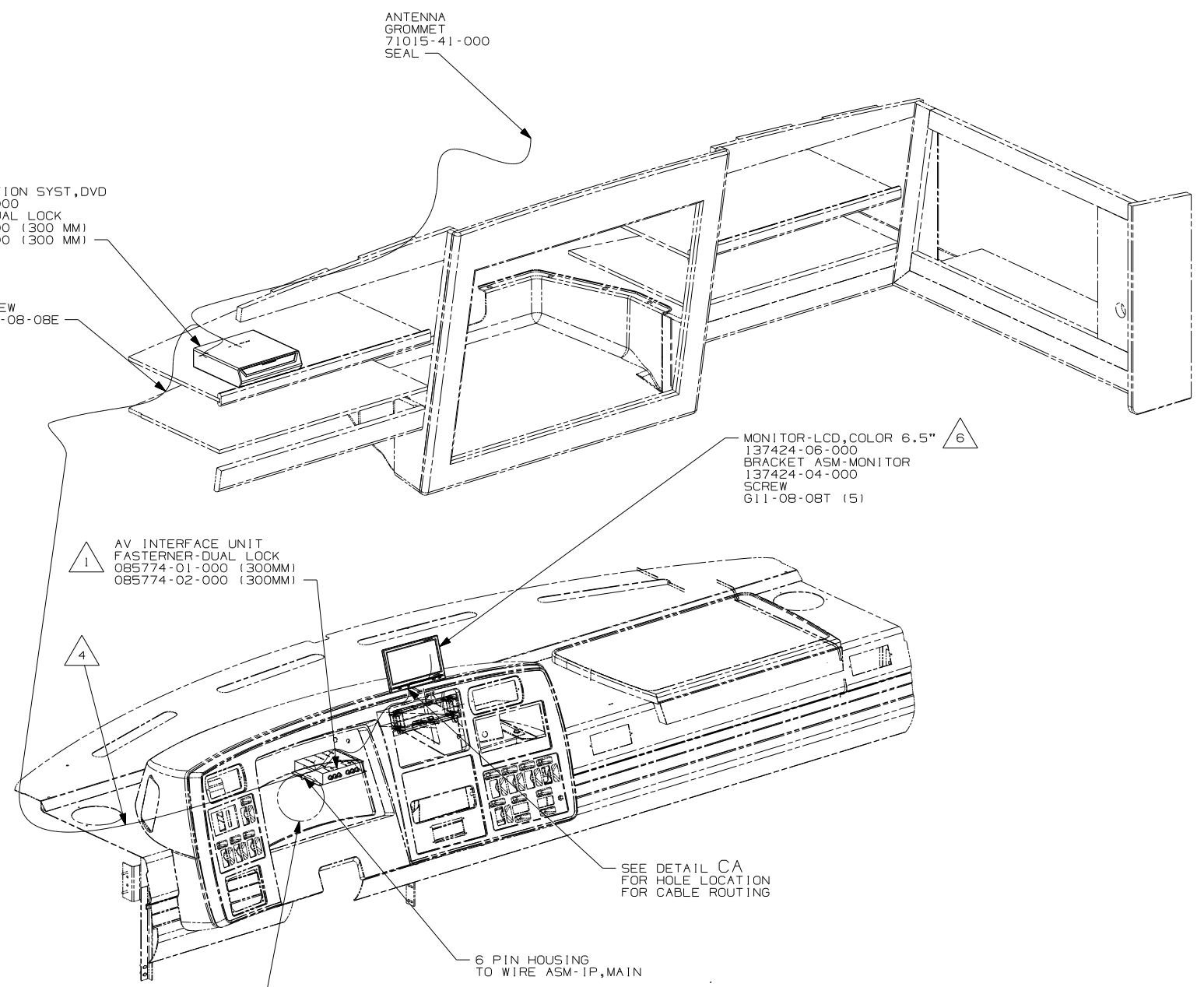
DETAIL CC



DETAIL CA



VIEW CB

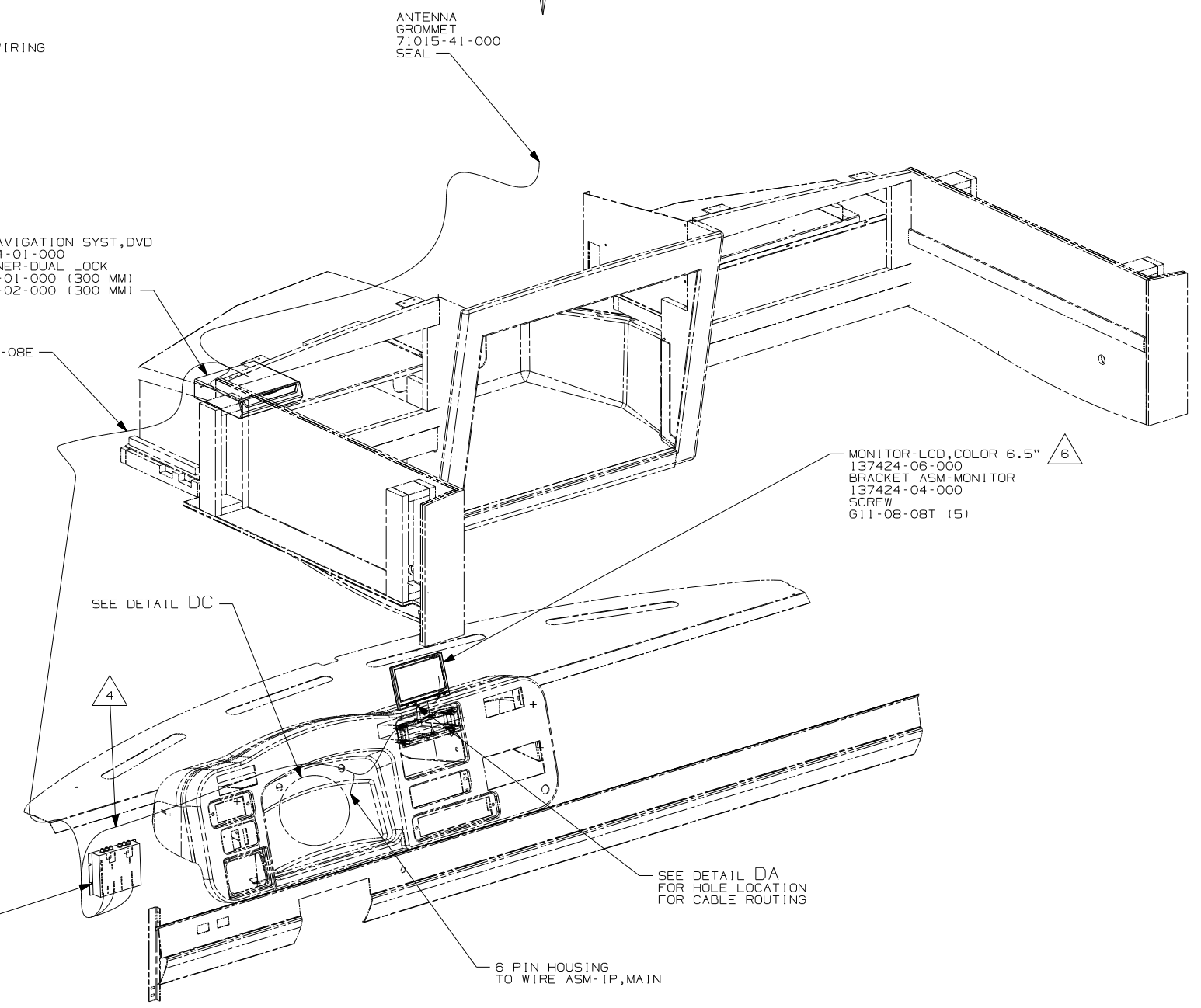
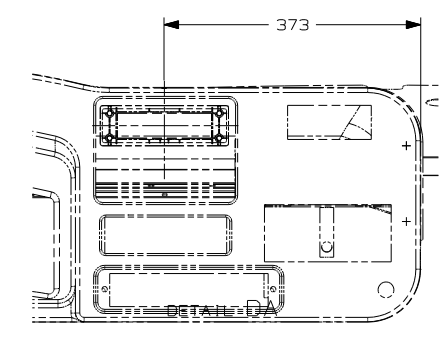
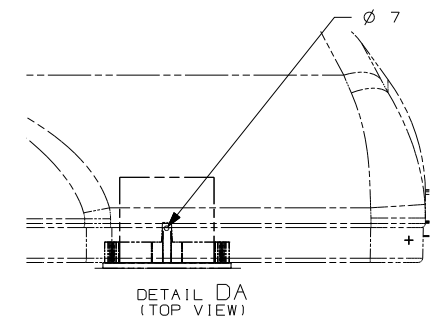
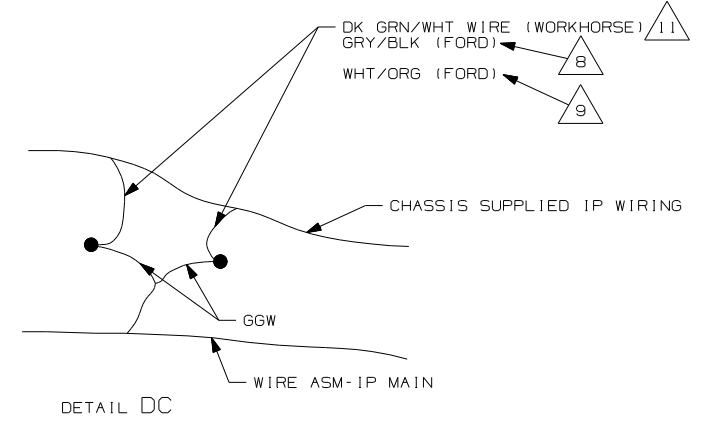
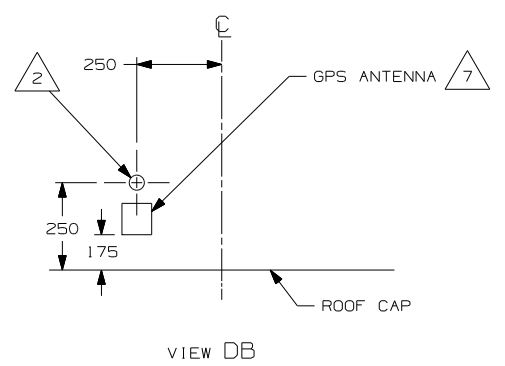


- 11 2005 WORKHORSE SHOWN. FOR 2006 WORKHORSE, CONNECT GGW TO BROWN WIRE WITH 1 PIN CONNECTOR LABELED "GPS SPD SIG" LOCATED BELOW & LEFT OF STEERING COLUMN SUPPORT.
- 10 MOUNT GPS-NAVIGATION SYST. IN OVERHEAD AS FAR TO THE LEFT AS POSSIBLE. WITH (52T) MOUNT GPS-NAVIGATION SYST. TO THE RIGHT OF THE CD CHANGER AS FAR TO THE LEFT AS POSSIBLE.
- 9 2006 FORD CHASSIS. CONNECT GGW TO WHT/ORG WIRE LABELED "VS OUTPUT" LOCATED ABOVE STEERING COLUMN SUPPORT.
- 8 2005 FORD CHASASIS FROM PIN 7 OF 16 PIN FORD CONNECTOR.
- 7 CLEAN ROOF & ANTENNA AND USE TAPE-FOAM, DBL 076322-05 TO ATTACH ANTENNA TO ROOF.
- 6 MOUNT MONITOR SO IT IS CENTERED ABOVE REAR MONITOR.
- 5 LOAD MAP DVD INTO PLAYER AND SAVE DVD CASE AND DOCUMENTATION WITH OWNER'S MANUAL.
- 4 SEE SHEET 5 FOR SPLICING INFORMATION.
- 3 PULL BLACK WIRE FROM LOOM AND SCREW TO STEEL SIDE-PANEL OF OVHD.
- 2 DRILL 15MM HOLE IN FIBERGLASS ROOF CAP AND SLIDE ANTENNA WIRE INTO GROMMET AND SEAL.
- 1 AV INTERFACE UNIT COMES WITH MONITOR-LCD, COLOR 6.5"

NOTES:

- (52T) CD CHANGER-10 DISC
- (15D) GPS-NAVIGATION SYSTEM

|                         |         |          |     |
|-------------------------|---------|----------|-----|
| FIRST USED              |         | 06 G-SER |     |
| DO NOT SCALE DRAWING    |         |          |     |
| TITLE: WIRING INSTL-GPS |         |          |     |
| SHEET 3                 | PART NO | 152094   | REV |



- 11 2005 WORKHORSE SHOWN. FOR 2006 WORKHORSE, CONNECT GGW TO BROWN WIRE WITH 1 PIN CONNECTOR LABELED "GPS SPD SIG" LOCATED BELOW & LEFT OF STEERING COLUMN SUPPORT.
- 10 MOUNT GPS-NAVIGATION SYST. IN OVERHEAD AS FAR TO THE LEFT AS POSSIBLE. WITH (52T) MOUNT GPS-NAVIGATION SYST. TO THE RIGHT OF THE CD CHANGER AS FAR TO THE LEFT AS POSSIBLE.
- 9 2006 FORD CHASSIS. CONNECT GGW TO WHT/ORG WIRE LABELED "VS OUTPUT" LOCATED ABOVE STEERING COLUMN SUPPORT.
- 8 2005 FORD CHASSIS. FROM PIN 7 OF 16 PIN FORD CONNECTOR.
- 7 CLEAN ROOF & ANTENNA AND USE TAPE-FOAM, DBL 076322-05 TO ATTACH ANTENNA TO ROOF.
- 6 MOUNT MONITOR SO IT IS CENTERED ABOVE REAR MONITOR.
- 5 LOAD MAP DVD INTO PLAYER AND SAVE DVD CASE AND DOCUMENTATION WITH OWNER'S MANUAL.
- 4 SEE SHEET 5 FOR SPLICING INFORMATION.
- 3 PULL BLACK WIRE FROM LOOM AND SCREW TO STEEL SIDE-PANEL OF OVHD.
- 2 DRILL 15MM HOLE IN FIBERGLASS ROOF CAP AND SLIDE ANTENNA WIRE INTO GROMMET AND SEAL.
- 1 AV INTERFACE UNIT COMES WITH MONITOR-LCD, COLOR 6.5"

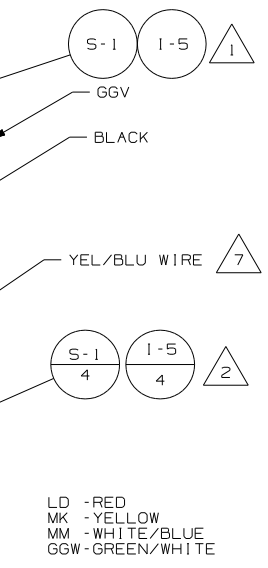
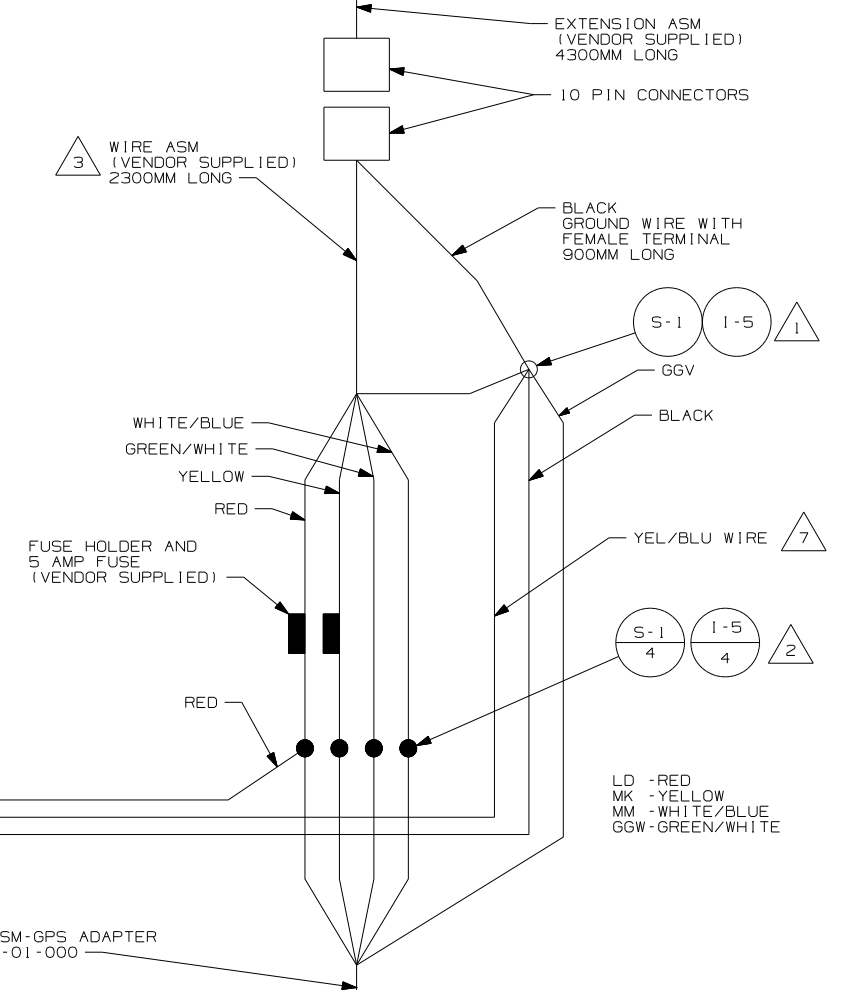
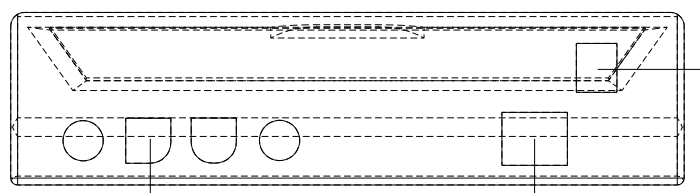
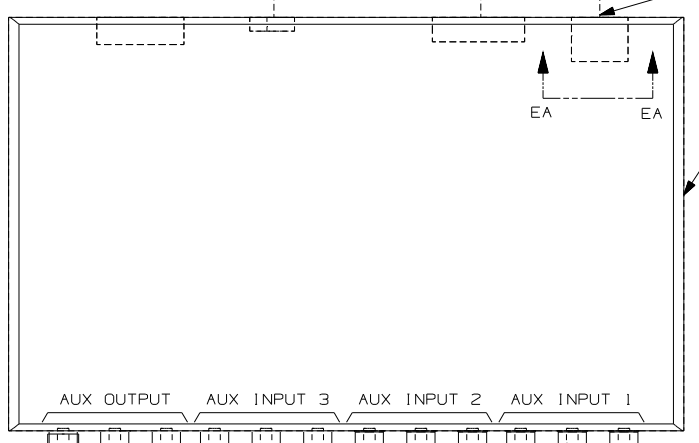
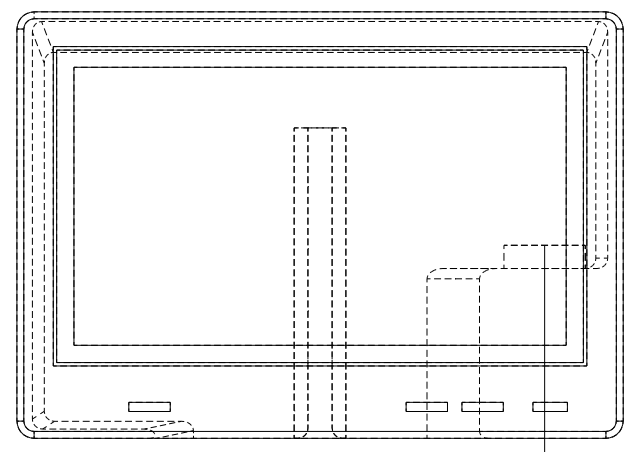
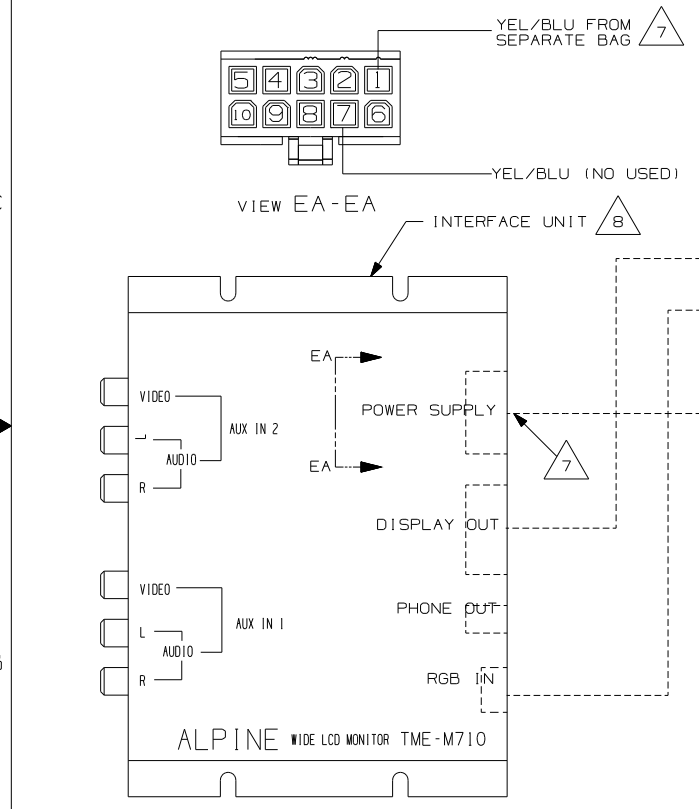
NOTES:

- (52T) CD CHANGER-10 DISC
- (15D) GPS-NAVIGATION SYSTEM

|                         |         |             |     |
|-------------------------|---------|-------------|-----|
| FIRST USED              |         | 06 F-SERIES |     |
| DO NOT SCALE DRAWING    |         |             |     |
| TITLE: WIRING INSTL-GPS |         |             |     |
| SHEET 4                 | PART NO | 152094      | REV |

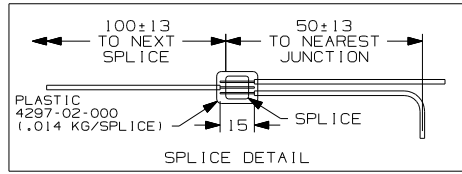


| GPS CIRCUIT         | FUNCTION                          | WIN CIRCUIT |
|---------------------|-----------------------------------|-------------|
| YELLOW              | BATTERY (+)                       | MK          |
| BLACK               | GROUND                            | GGV         |
| RED                 | IGNITION (+)                      | LD          |
| WHITE/BLUE          | ILLUMINATION (+)                  | MM          |
| ORANGE/WHITE        | REVERSE LIGHTS (+)                | NOT USED    |
| GREEN/WHITE         | VEHICLE SPEED SENSOR (VSS)        | GGW         |
| YELLOW/BLUE (PIN 7) | PARKING BRAKE (-)                 | NOT USED    |
| PINK/SKY BLUE       | IN-INT INTERRUPT (-) (AUDIO MUTE) | (NOT USED)  |
| YELLOW/BLACK        | FOOT BRAKE (+)                    | (NOT USED)  |
| WHITE/BROWN         | REMOTE                            | (NOT USED)  |



- NOTES:
- 8 USED ON R,P,G & F SERIES
  - 7 YEL/BLU WIRE IS SUPPLIED WITH MONITOR IN A SEPERATE BAG LABELED "REAR SEATE CONNECTOR" WITH A TERMINAL. INSERT TERMINAL INTO POSITION 1 OF ALPINE HOUSING & SPLICE TO GGV-GROUND WIRE. (NOTE: IT IS NOT THE SAME AS THE YEL/BLU FROM POSITION 7 IN ALPINE HOUSING.)
  - 6 USED ON THE S SERIES ONLY.
  - 5 WHITE CONNECTOR IS NOT USED. TAPE BACK INTO LOOM WITH TAPE 8363-01-000.
  - 4 CONNECT TOGETHER
  - 3 CUT WIRE ASM TO AVOID EXCESS WIRE BUNDLING AND TAPE UNUSED WIRES.
  - 2 CUT TERMINALS FROM VENDOR SUPPLIED WIRES AND SPLICE AS SHOWN.
  - 1 CUT RING TERMINAL FROM BLACK WIRE AND SPLICE AS SHOWN.

FOR ELECTRICAL CALLOUTS SEE DWG NO. 121339-01-000



15D GPS-NAVIGATION SYSTEM

15D

FIRST USED

06 S-SER

DO NOT SCALE DRAWING

TITLE: WIRING INSTL-GPS

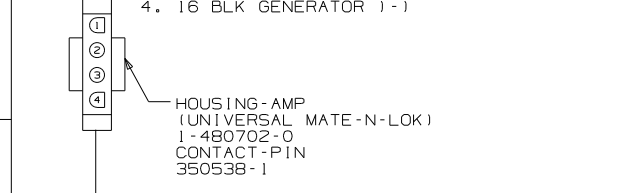
SHEET 5 PART NO 152094 REV

1 6/15/2006

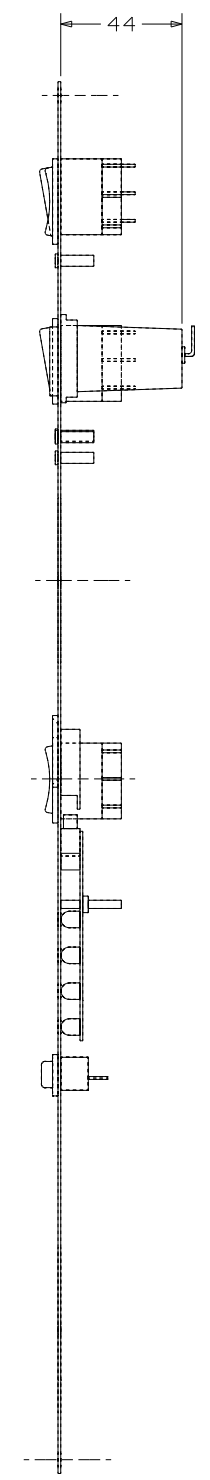
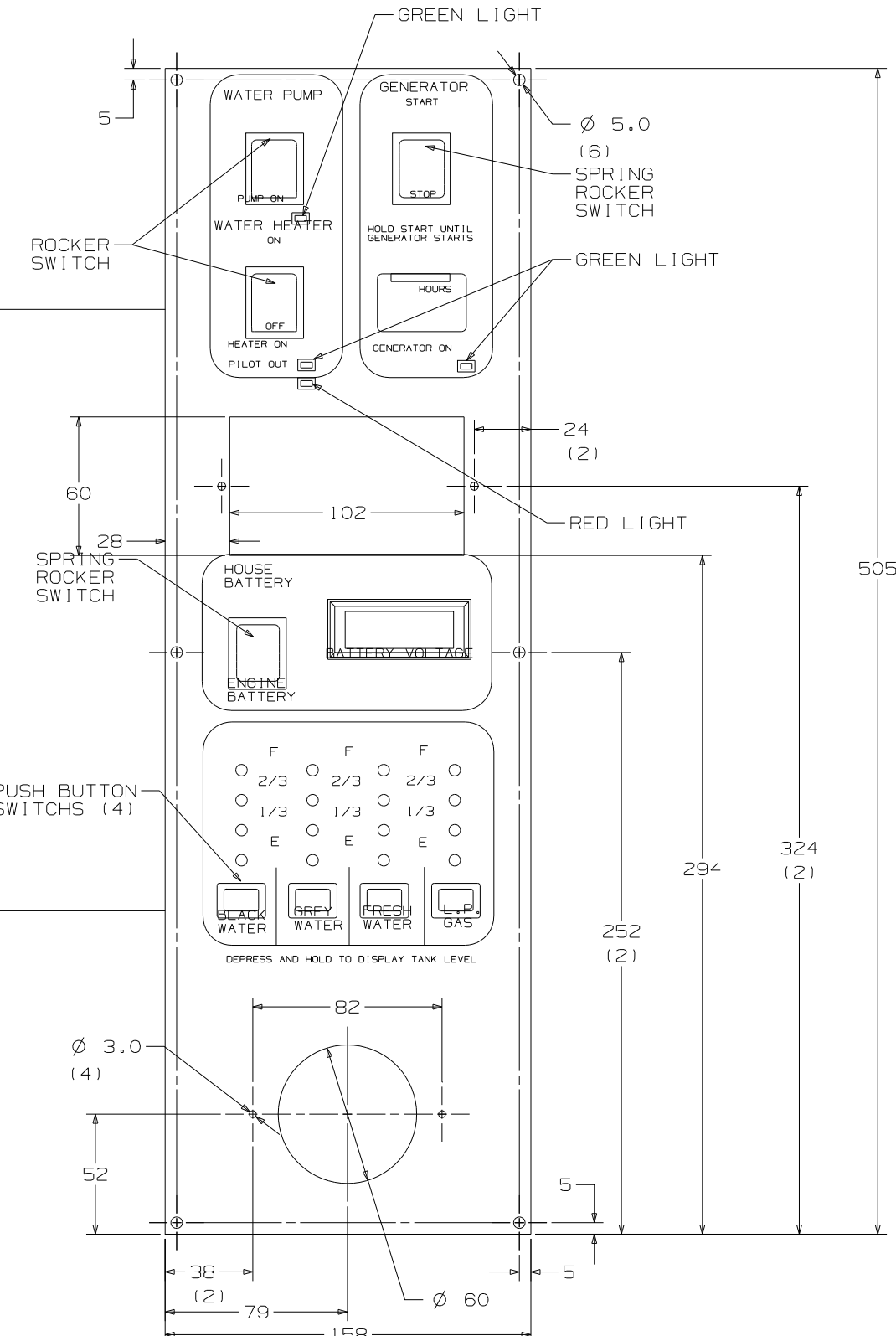
| DWG NO    | SHEET | DESCRIPTION         |
|-----------|-------|---------------------|
| 133004-01 | 1     | 2TK, DIG VOLT       |
| 133004-02 | 2     | 2T, DIG VOLT, SOLAR |
| 133004-03 | 3     | 2TK, W/SOL & PAN    |
| 133004-04 | 4     | 2TK, W/O WAT HEAT   |
| 133004-05 | 5,6,7 | 2T, SOLAR/SENSOR    |

|          |                 |        |          |
|----------|-----------------|--------|----------|
| RELEASE  | REV DATE        | DWG NO | 133004   |
| REV ZONE | REVISION RECORD | DATE   | DFT-0816 |

PIN #  
 1. 16 RED GENERATOR METER (+)  
 2. 16 YEL GENERATOR START  
 3. 16 GRN GENERATOR STOP  
 4. 16 BLK GENERATOR (-)



PIN #  
 1. 14 BLK (HOUSE +12VDC)  
 2. 14 (CHASSIS +12VDC)  
 3. 14 WHT (GROUND)  
 4. 20 RED (WATER TANK)  
 5. 20 BRN (BLACK TANK)  
 6. 20 GRY (GRAY TANK)  
 7. 12 RED/WHT (REMOTE WATER PUMP SWITCH)  
 8. 12 RED (WATER PUMP SWITCH)  
 9. 12 WHT/RED (REMOTE WATER PUMP)  
 10. BLANK  
 11. BLANK  
 12. 20 WHT/GRN (LP TANK SENSOR)  
 13. 16 YEL (WATER HEATER IGNITION)  
 14. BLANK  
 15. 20 WHT/BLU (WATER HEATER INDICATOR)



- NOTES:
- SUGGESTED VENDOR: VENLINE.
  - BLACK PANEL WITH WHITE GRAPHICS.
  - LETTERS ON MAIN HEADING TO BE 5MM HIGH.
  - CUTOUT FOR PANEL TO BE 135 X 350 MIN/ 140 X 380 MAX.
  - SWITCH RATING SHALL BE EMBOSSED ON THE SIDE OF THE 12V SWITCHES.

SEE CHART  
 FOR COLOR VARIATIONS  
 OF THIS PART

**WINNEBAGO** COPYRIGHT 2004 WINNEBAGO INDUSTRIES, INC.

ALL DIMENSIONS ARE IN MILLIMETERS

STANDARDS

DO NOT SCALE DRAWING

TITLE: PANEL-MONITOR

SHEET 1 OF 7 PART NO: 133004

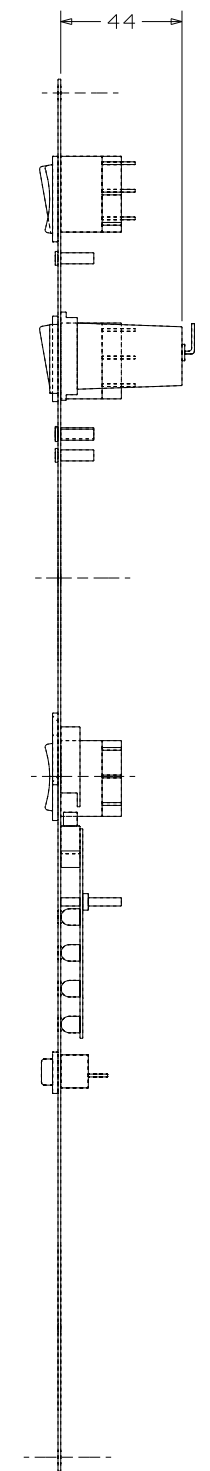
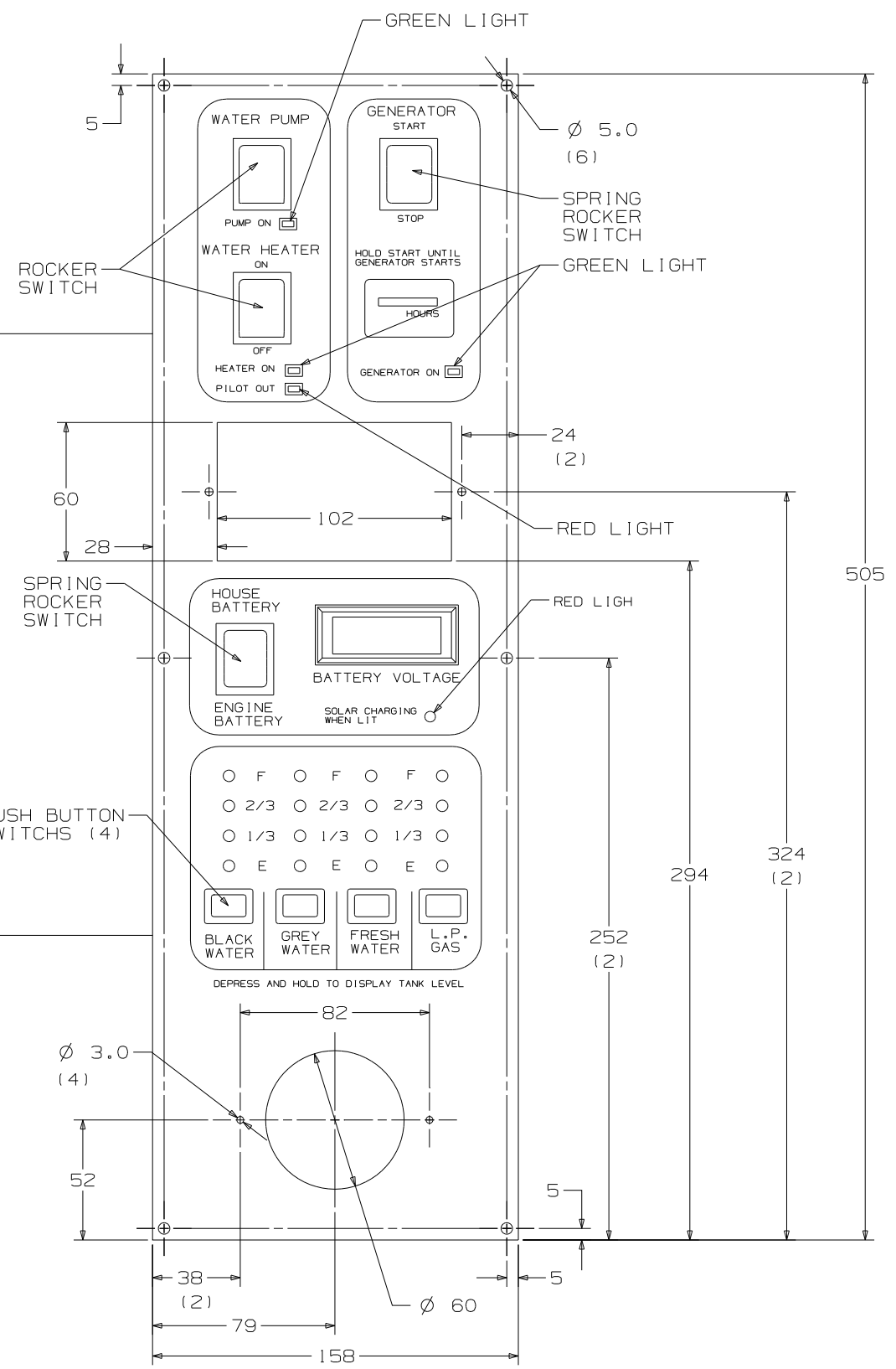
REF: 1 07/08/2004

- PIN #
- 1. 16 RED GENERATOR METER (+)
  - 2. 16 YEL GENERATOR START
  - 3. 16 GRN GENERATOR STOP
  - 4. 16 BLK GENERATOR (-)

HOUSING-AMP  
(UNIVERSAL MATE-N-LOK)  
1-480702-0  
CONTACT-PIN  
350538-1

- PIN #
- 1. 14 BLK (HOUSE +12VDC)
  - 2. 14 (CHASSIS +12VDC)
  - 3. 14 WHT (GROUND)
  - 4. 20 RED (WATER TANK)
  - 5. 20 BRN (BLACK TANK)
  - 6. 20 GRY (GRAY TANK)
  - 7. 12 RED/WHT (REMOTE WATER PUMP SWITCH)
  - 8. 12 RED (WATER PUMP SWITCH)
  - 9. 12 WHT/RED (REMOTE WATER PUMP)
  - 10. BLANK
  - 11. BLANK
  - 12. 20 WHT/GRN (LP TANK SENSOR)
  - 13. 16 YEL (WATER HEATER IGNITION)
  - 14. BLANK
  - 15. 20 WHT/BLU (WATER HEATER INDICATOR)

HOUSING-AMP  
(UNIVERSAL MATE-N-LOK)  
1-480710-0  
CONTACT-PIN  
350538-1



|              |                      |
|--------------|----------------------|
| FIRST USED   | STANDARDS            |
| TITLE        | DO NOT SCALE DRAWING |
| SHEET 2      | PANEL-MONITOR        |
| PART NO      | 133004               |
| 1 07/08/2004 |                      |

PIN #  
 1. 16 RED GENERATOR METER (+)  
 2. 16 YEL GENERATOR START  
 3. 16 BRN GENERATOR STOP  
 4. 16 BLK GENERATOR (-)

HOUSING-AMP  
 (UNIVERSAL MATE-N-LOK)  
 1-480702-0  
 CONTACT-PIN  
 350538-1

PIN #  
 1. 14 BLK (HOUSE +12VDC)  
 2. 14 (CHASSIS +12VDC)  
 3. 14 WHT (GROUND)  
 4. 20 RED (WATER TANK)  
 5. 20 BRN (BLACK TANK)  
 6. 20 GRN (GRAY TANK)  
 7. 12 RED/WHT (REMOTE WATER PUMP SWITCH)  
 8. 12 RED (WATER PUMP SWITCH)  
 9. 12 WHT/RED (REMOTE WATER PUMP)  
 10. BLANK  
 11. BLANK  
 12. 20 WHT/GRN (LP TANK SENSOR)  
 13. 16 YEL (WATER HEATER IGNITION)  
 14. BLANK  
 15. 20 WHT/BLU (WATER HEATER INDICATOR)

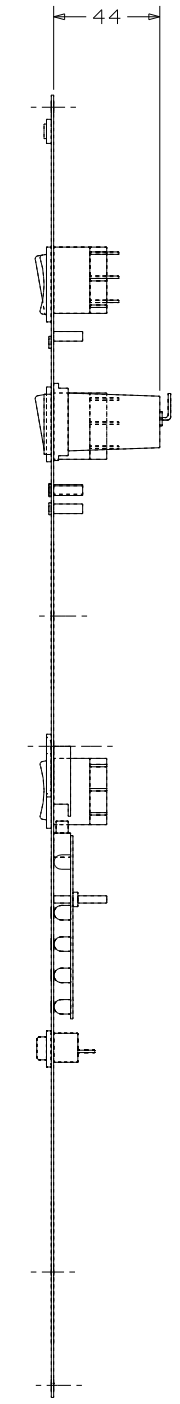
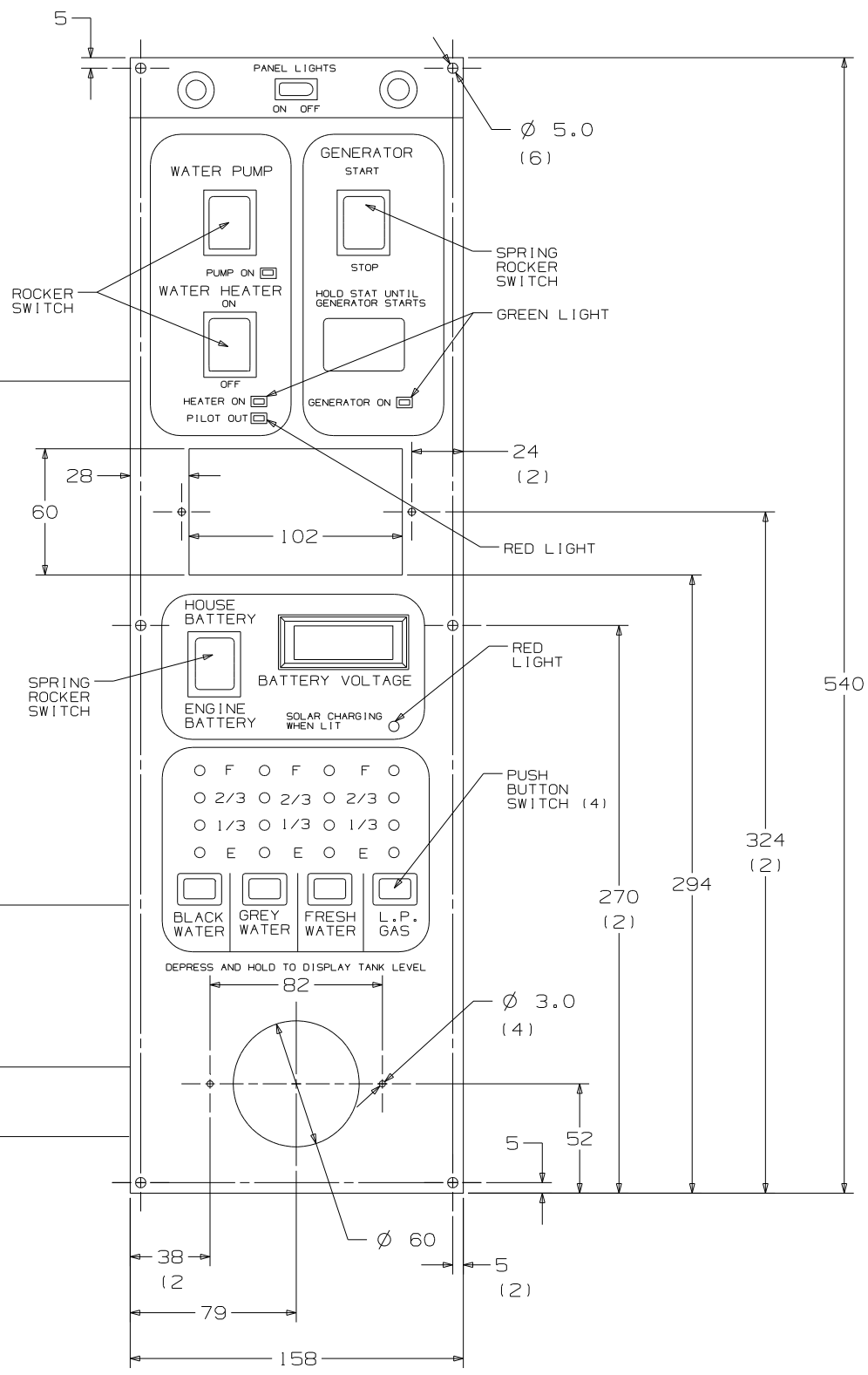
HOUSING-AMP  
 (UNIVERSAL MATE-N-LOK)  
 1-480710-0  
 CONTACT-PIN  
 350538-1

HOUSING-AMP  
 (UNIVERSAL MATE-N-LOK)  
 1-480698-0  
 PIN  
 350538-0

PIN #  
 1. 16 BLK  
 2. 16 RED

HOUSING-AMP  
 (UNIVERSAL MATE-N-LOK)  
 1-480699-0  
 PIN  
 350537-0

PIN #  
 1. 16 GRN  
 2. 16 RED



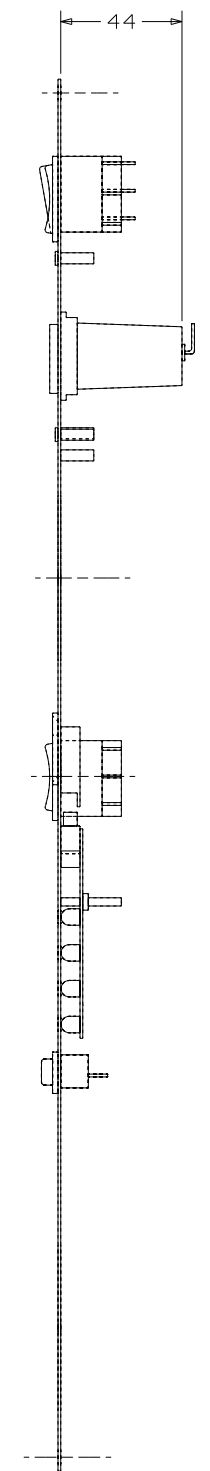
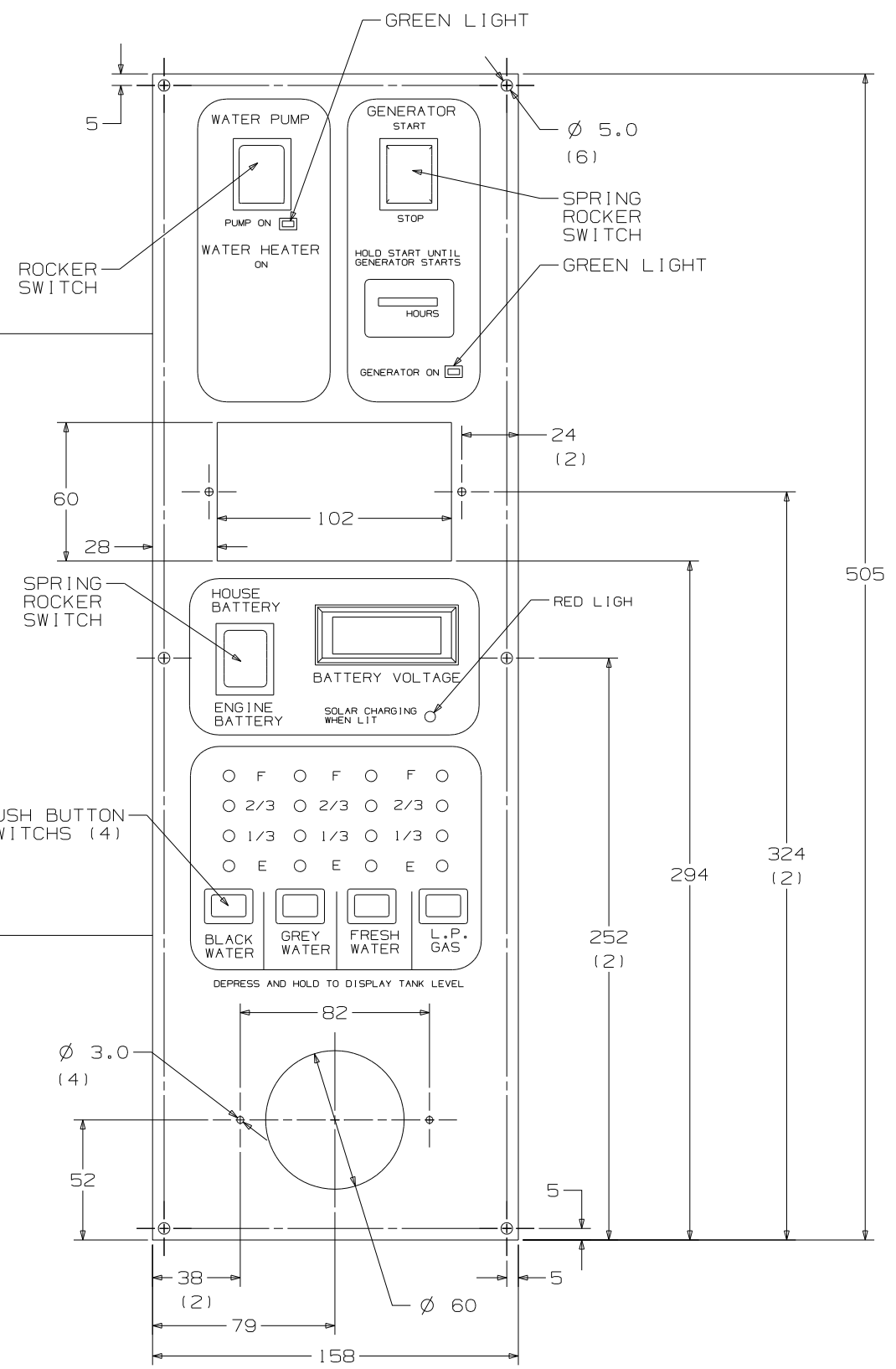
|            |                      |
|------------|----------------------|
| FIRST USED | STANDARD             |
| TITLE      | DO NOT SCALE DRAWING |
| TITLE      | PANEL-MONITOR        |
| SHEET 3    | PART NO 133004       |

- PIN #
- 1. 16 RED GENERATOR METER (+)
  - 2. 16 YEL GENERATOR START
  - 3. 16 GRN GENERATOR STOP
  - 4. 16 BLK GENERATOR (-)

HOUSING - AMP  
(UNIVERSAL MATE-N-LOK)  
1-480702-0  
CONTACT-PIN  
350538-1

- PIN #
- 1. 14 BLK (HOUSE +12VDC)
  - 2. 14 (CHASSIS +12VDC)
  - 3. 14 WHT (GROUND)
  - 4. 20 RED (WATER TANK)
  - 5. 20 BRN (BLACK TANK)
  - 6. 20 GRN (GRAY TANK)
  - 7. 12 RED/WHT (REMOTE WATER PUMP SWITCH)
  - 8. 12 RED (WATER PUMP SWITCH)
  - 9. 12 WHT/RED (REMOTE WATER PUMP)
  - 10. BLANK
  - 11. BLANK
  - 12. 20 WHT/GRN (LP TANK SENSOR)
  - 13. BLANK
  - 14. BLANK
  - 15. BLANK

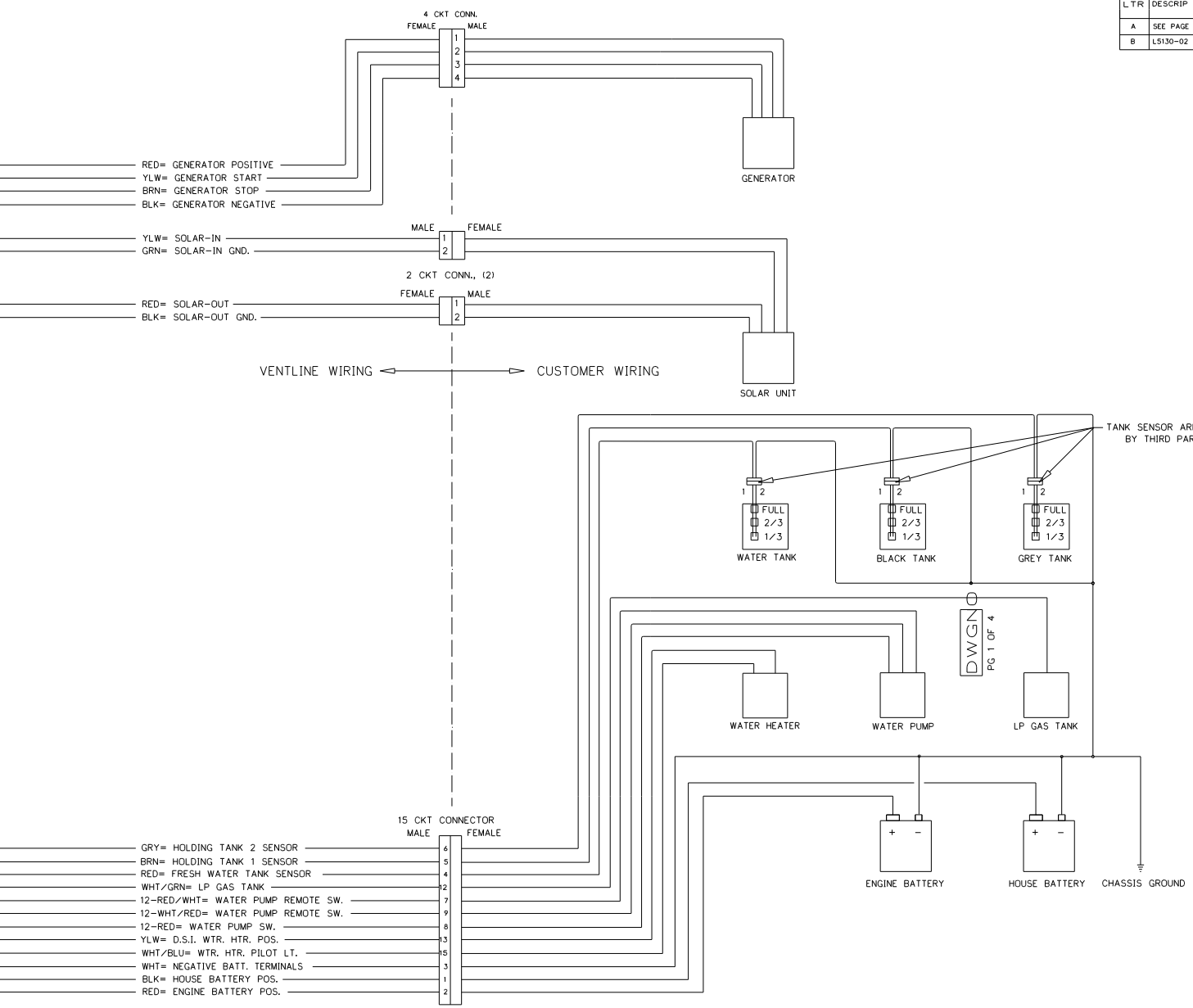
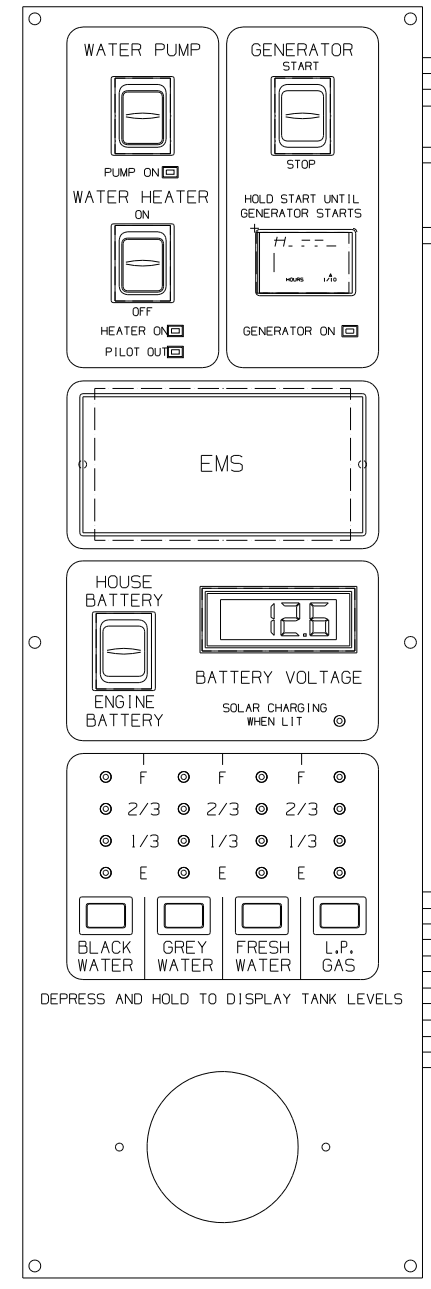
HOUSING - AMP  
(UNIVERSAL MATE-N-LOK)  
1-480710-0  
CONTACT-PIN  
350538-1



|              |                      |        |
|--------------|----------------------|--------|
| FIRST USED   | STANDARDS            |        |
| TITLE        | DO NOT SCALE DRAWING |        |
| SHEET 4      | PART NO              | 133004 |
| 1 07/08/2004 |                      |        |

CONFIDENTIAL  
 THIS DOCUMENT, INCLUDING ALL INFORMATION CONTAINED HEREIN IS THE EXCLUSIVE AND CONFIDENTIAL PROPERTY OF VENTLINE DIVISION OF TOMKINS INDUSTRIES INC. THE DOCUMENT AND INFORMATION ARE NOT TO BE COPIED, REPRODUCED OR DELIVERED TO OTHERS, IN WHOLE OR IN PART, WITHOUT THE EXPRESS WRITTEN PERMISSION OF VENTLINE. THE DOCUMENT IS TO BE RETURNED PROMPTLY TO VENTLINE AFTER HAVING SERVED THE PURPOSE FOR WHICH DELIVERED.  
 ©1995 VENTLINE DIVISION, TOMKINS INDUSTRIES, INC.  
 All Rights Reserved, including the right to reproduce this document or any part thereof

| LTR. | DESCRIPTION           | DATE      | CHK. BY | APP. BY   |
|------|-----------------------|-----------|---------|-----------|
| A    | SEE PAGE 3 ECN 16381  | ECN 16261 | 4-6-04  | R.L. R.L. |
| B    | L5130-02 WAS L5113-04 | ECN 16394 | 4-21-04 | R.L. R.L. |



- NOTES:  
 1. UNLESS OTHERWISE SPECIFIED ALL WIRE IS 22 AWG.  
 2. REF. DWG.'S:  
 HARNESS, INTERNAL & SWITCH= L7785-01, -02  
 HARNESS, GEN. INTERNAL & SWITCH= L7786-00  
 HARNESS, SOLAR LIGHT= L7722-00  
 PCB= L5130-02  
 HARNESS, TEST= L8012-00  
 TEST BOX= L8506-00  
 3. ALL PIGTAILS TO BE SUPPLIED BY CUSTOMER.  
 4. BEFORE PACKING, SECURE HARNESS WITH V00169-00 TIE WRAP ON RIGHT SIDE POST.

ENGLISH TOLERANCE UNLESS SPECIFIED  
 0 PL.: .040  
 2 PL.: .010  
 1 PL.: .020  
 3 PL.: .005  
 FRACTIONS 1/64

| PART NO.     | REV'D | MATERIAL | DESCRIPTION        | DWG SIZE |
|--------------|-------|----------|--------------------|----------|
| BLANK        |       | BLANK    | WGT                | USED     |
| DRWN DATE    |       | MATERIAL | USED ON            |          |
| DRWN DATE    |       | MATL     | MATL               |          |
| CHECKED DATE |       | NAME     | SCALE              |          |
| CHECKED DATE |       | DWGNAME  | DWG. NO. PG 1 OF 4 |          |
| APPV'D DATE  |       | DWGNAME  | DWGNO              |          |

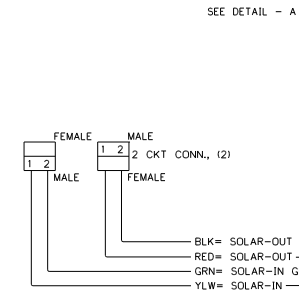
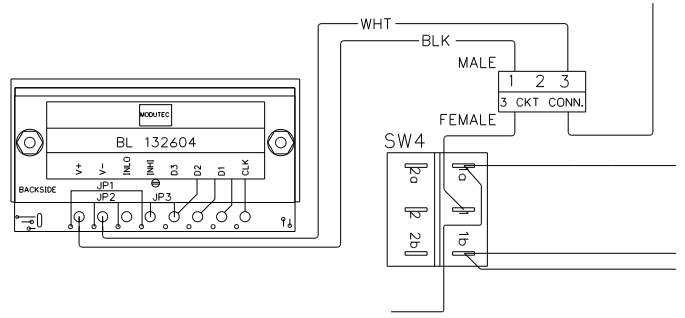
|            |                      |
|------------|----------------------|
| FIRST USED | STANDARD             |
| TITLE      | DO NOT SCALE DRAWING |
| TITLE      | PANEL - MONITOR      |
| SHEET 5    | PART NO 133004       |



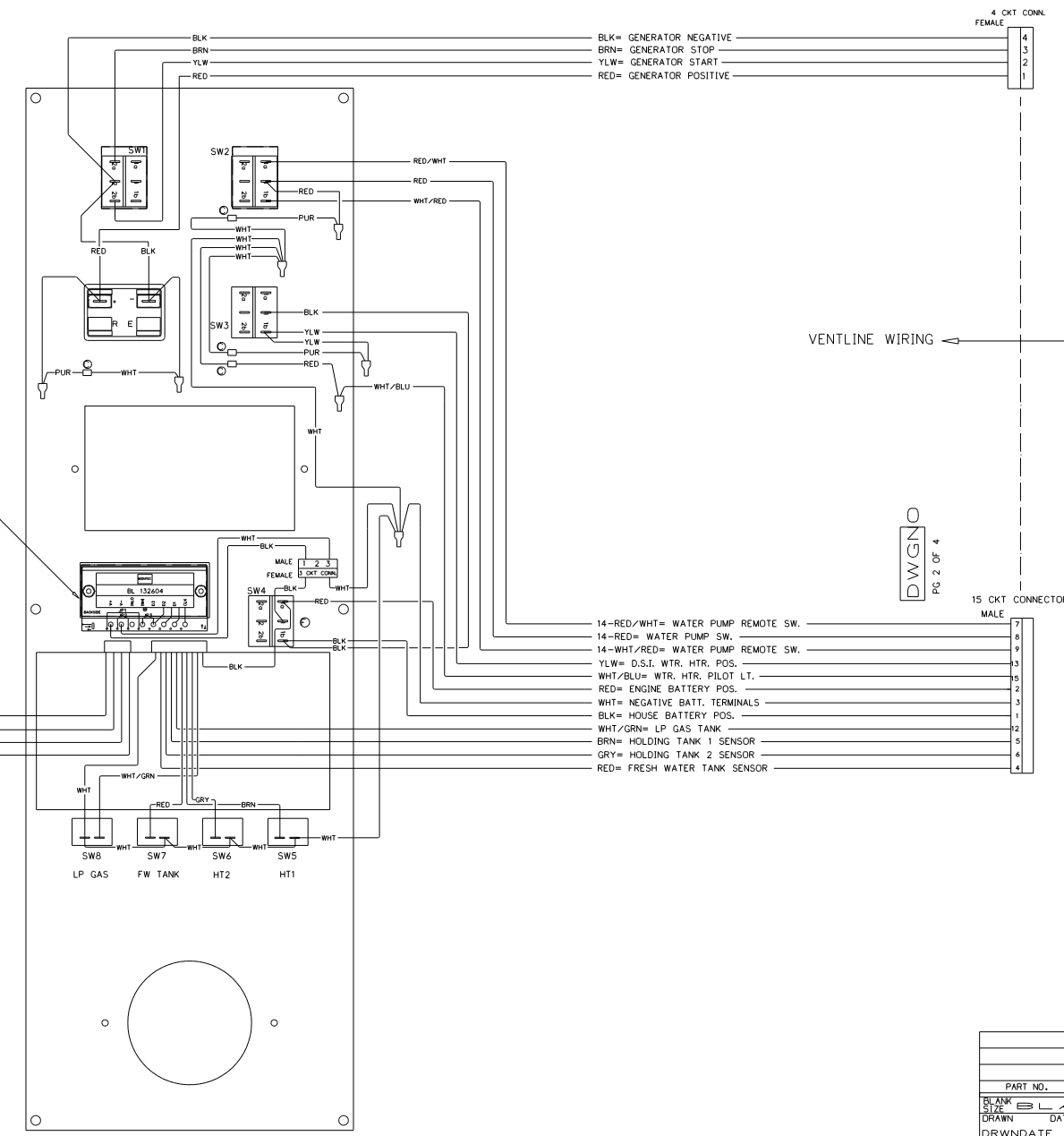
CONFIDENTIAL  
 THIS DOCUMENT, INCLUDING ALL INFORMATION CONTAINED HEREIN IS THE EXCLUSIVE AND CONFIDENTIAL PROPERTY OF VENTLINE DIVISION OF TOMING INDUSTRIES INC. THE DOCUMENT AND INFORMATION ARE NOT TO BE COPIED, REPRODUCED OR DELIVERED TO OTHERS, IN WHOLE OR IN PART, WITHOUT THE EXPRESS WRITTEN PERMISSION OF VENTLINE. THE DOCUMENT IS TO BE RETURNED PROMPTLY TO VENTLINE AFTER HAVING SERVED THE PURPOSE FOR WHICH DELIVERED.  
 ©1995 VENTLINE DIVISION, TOMING INDUSTRIES, INC.  
 All Rights Reserved, including the right to reproduce this document in any part thereof.

| LTR. | DESCRIPTION                     | DATE    | CHK'D | APP'D |
|------|---------------------------------|---------|-------|-------|
| A    | SEE PAGE 3 ECN 16381            | 4-6-04  | RUL   | RUL   |
| B    | LS130-02 WAS LS113-04 ECN 16394 | 4-21-04 | RUL   | RUL   |

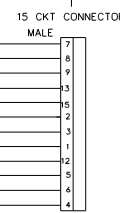
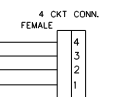
DETAIL - A



- NOTES:
- UNLESS OTHERWISE SPECIFIED ALL WIRE IS 22 AWG.
  - REF. DWG.'S:  
 HARNESS, INTERNAL & SWITCH= L7785-01, -02  
 HARNESS, GEN. INTERNAL & SWITCH= L7786-00  
 HARNESS, SOLAR LIGHT= L7722-00  
 PCB= LS130-02  
 HARNESS, TEST= L8012-00  
 TEST BOX= L8506-00
  - ALL PIGTAILS TO BE SUPPLIED BY CUSTOMER.
  - BEFORE PACKING, SECURE HARNESS WITH VD0167-00 TIE WRAP ON RIGHT SIDE POST.



DWG NO  
 PG 2 OF 4

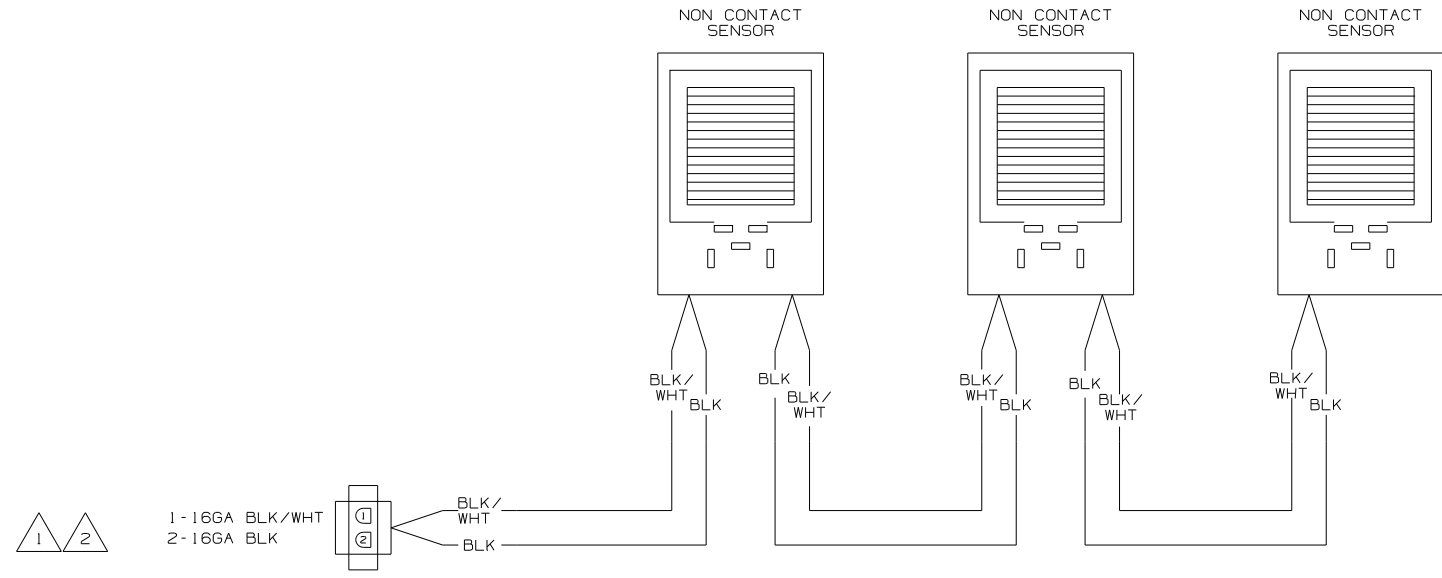


| PART NO.   | REV'D | MATERIAL | DESCRIPTION | DWG SIZE   |
|------------|-------|----------|-------------|--|
| BLANK SIZE |       | BLANK    | WGT USED    | USED ON  |
| DRAWN      | DATE  | MATERIAL | DATE        | PHILIPS IND. INC.<br>VENTLINE DIVISION<br>BRISTOL, INDIANA 46507 |
| DRWNDATE   | DATE  | MATL     | MATL        | SCALE: SCALE   |
| CHECKED    | DATE  | NAME     | DATE        | DWG. NO. PG 2 OF 4   |
| CHECKDATE  | DATE  | DWGNAME  | DATE        | DWGNO  |
| APPV'D     | DATE  | DWGNAME  | DATE        | DWGNO  |

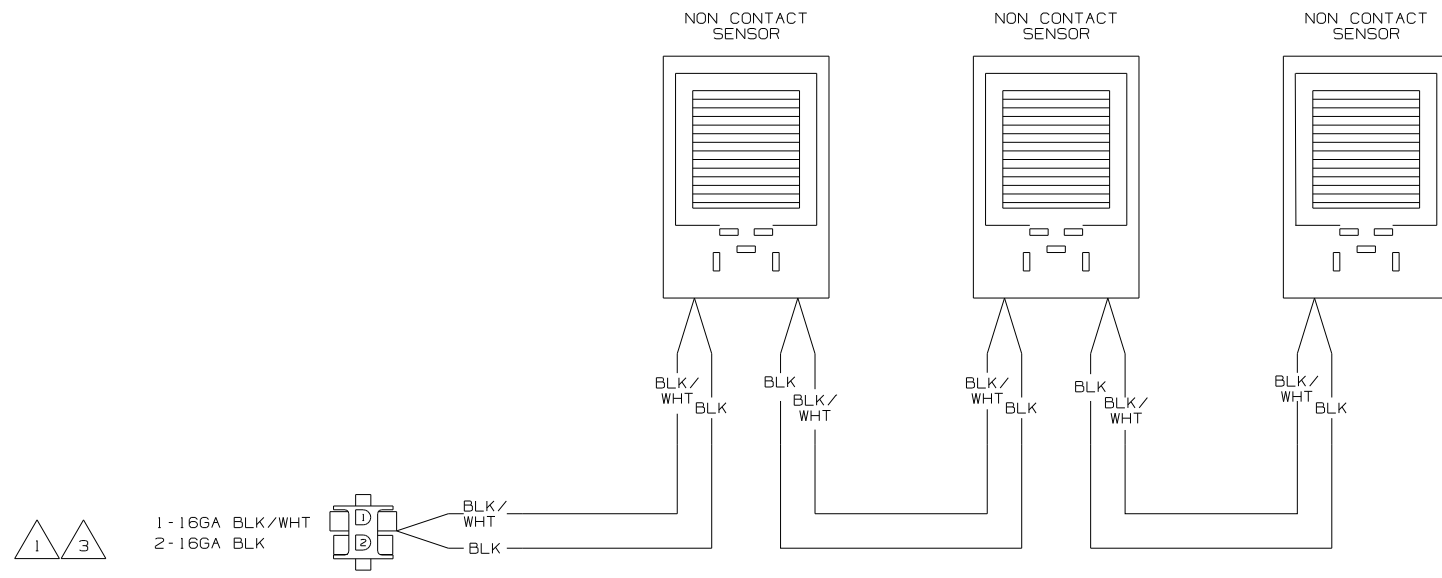
ENGLISH (TOLERANCE UNLESS SPECIFIED)  
 0 PL.: .040 1 PL.: .020  
 2 PL.: .010 3 PL.: .005  
 FRACTIONS: 1/64

|            |                      |
|------------|----------------------|
| FIRST USED | STANDARD             |
| TITLE:     | DO NOT SCALE DRAWING |
| SHEET 7    | PART NO 133004       |
|            | 1 07/08/2004         |





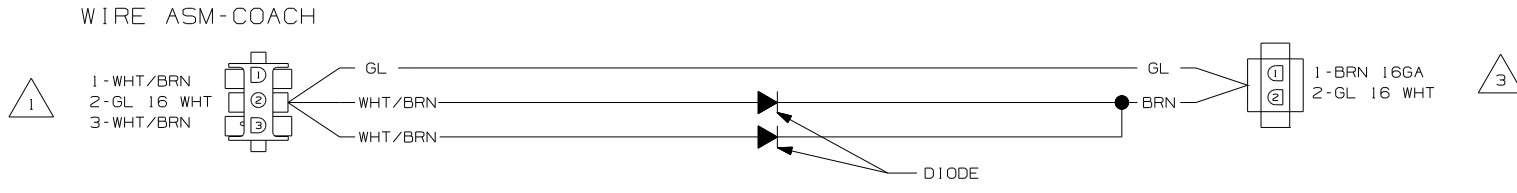
WIRING DIAGRAM-TANK, WATER  
OR  
WIRING DIAGRAM-TANK, MAIN  
(WIRE ASM-151316 REV A)



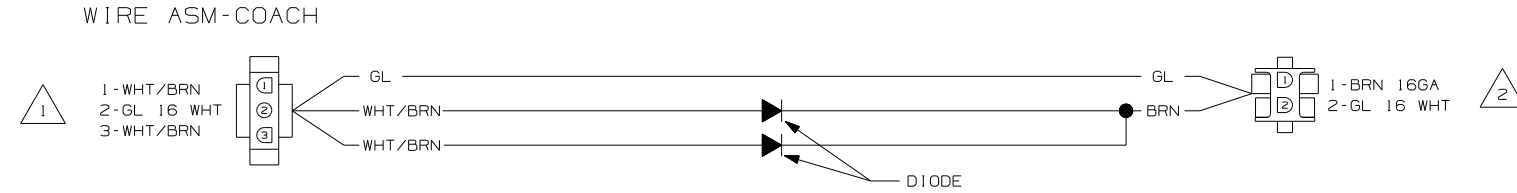
WIRING DIAGRAM-AUX HOLDING  
(WIRE ASM-151317 REV A)

- NOTES:
- 3 IF TWO MONITOR PANELS ARE UTILIZED THIS WIRE ASM CONNECTS TO WIRE ASM-TANK,DIODE PACK 151808-01 SHT2.
  - 2 IF TWO MONITOR PANELS ARE UTILIZED THIS WIRE ASM CONNECTS TO WIRE ASM-TANK,DIODE PACK 151808-02 SHT2.
  - 1 IF ONLY ONE MONITOR PANEL IS USED SEE WIRING DIAGRAM-BODY FOR ADDITIONAL INFORMATION.

|  |            |   |   |
|--|------------|---|---|
| <b>WINNEBAGO</b>                       |            | COPYRIGHT 2004<br>WINNEBAGO<br>INDUSTRIES, INC. |   |
| DFTR                                   | ORIG. DATE | ALL DIMENSIONS ARE<br>IN MILLIMETERS            |   |
| CHKR                                   |            | FIRST USED                                      |   |
| P.E.                                   |            | 05 MOTOR HOMES                                  |   |
| M.E.                                   |            |   |   |
| DSNR                                   |            |   |   |
| UNSPECIFIED TOLERANCES ARE:            |            | MATERIAL:                                       |   |
| WHOLE DIM (X)                          | :          | 1   | * |
| ONE-PLACE (X.X)                        | :          |   | * |
| TWO-PLACE (X.XX)                       | :          |   | * |
| ANGLE                                  | :          |   | * |
| THIRD ANGLE<br>PROJECTION              | :          |   | * |
| DO NOT SCALE DRAWING                   |            |   |   |
| TITLE:<br>WIRING DIAGRAM-HOLDING TANKS |            |   |   |
| SHEET 1 OF 2                           | PART NO    | 152594  |   |
| REF: NONE                              |            | 1 9/8/2004                                      |   |



WIRING DIAGRAM-TANK,DIODE PACK  
151808-01-000 REV A



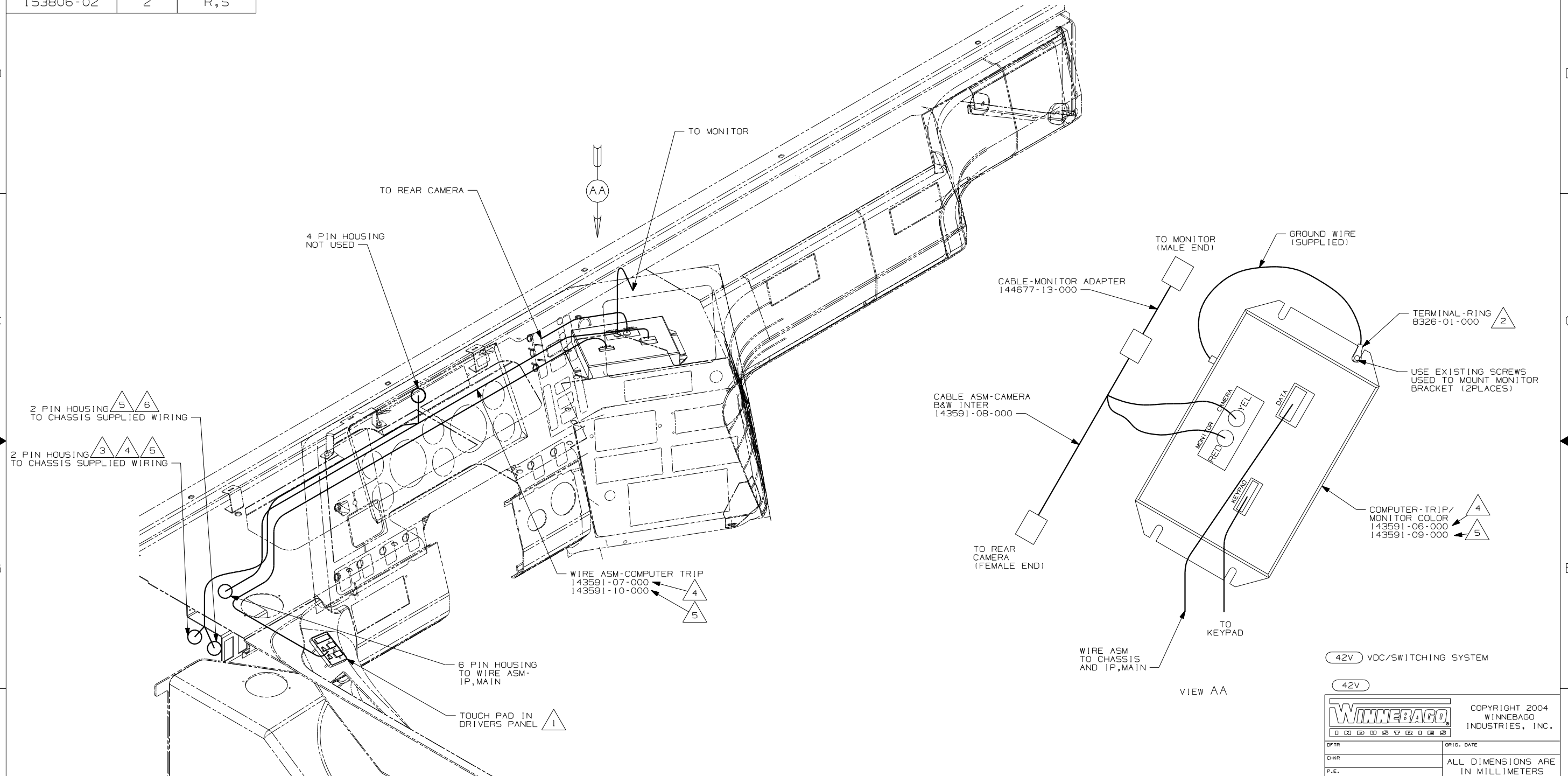
WIRING DIAGRAM-TANK,DIODE PACK  
151808-02-000 REV A

- NOTES:
- 3 CONNECT TO WIRE ASM-TANK,AUX. SEE SHT 1.
  - 2 CONNECT WIRE ASM-TANK,WATER OR MAIN. SEE SHT 1.
  - 1 SEE WIRING DIAGRAM-BODY FOR ADDITIONAL INFORMATION.

|                              |         |
|------------------------------|---------|
| FIRST USED                   |         |
| 05 MOTOR HOMES               |         |
| DO NOT SCALE DRAWING         |         |
| TITLE:                       |         |
| WIRING DIAGRAM-HOLDING TANKS |         |
| SHEET 2                      | PART NO |
|                              | 152594  |

| DRAWING NO. | SHEET | SERIES |
|-------------|-------|--------|
| 153806-01   | 1     | P      |
| 153806-02   | 2     | R,S    |

|          |                 |        |           |
|----------|-----------------|--------|-----------|
| RELEASE  | REV DATE        | OWG NO | 153806    |
| REV ZONE | REVISION RECORD | DATE   | DFTR-0R16 |



- NOTES:
- 5 USED WITH GEN 4 TRANSMISSION. CHASSIS PART NUMBERS ENDING WITH -341 OR -342.
  - 4 USED WITH PRE-GEN 4 TRANSMISSION. CHASSIS PART NUMBERS ENDING WITH -311 OR -312.
  - 3 CONNECT TRIP TEK 2 PIN HOUSING TO MATING FREIGHTLINER 2 PIN HOUSING W/GREEN AND ORANGE TWISTED PAIR WIRES.
  - 2 ADD RING TERMINAL TO EXISTING GROUND AND MOUNT UNDER COMPUTER MOUNTING SCREW.
  - 1 USE VENDER SUPPLIED NUTS.

6 CONNECT TRIP TEK 2 PIN HOUSING TO MATING FREIGHTLINER 2 PIN HOUSING W/YELLOW AND DARK GREEN TWISTED PAIR WIRES.

WINNEBAGO

COPYRIGHT 2004 WINNEBAGO INDUSTRIES, INC.

|      |                                   |
|------|-----------------------------------|
| DFTR | ORIG. DATE                        |
| CHKR | ALL DIMENSIONS ARE IN MILLIMETERS |
| P.E. |                                   |
| M.E. | FIRST USED                        |
| DSNR | 06 MOTORHOMES                     |

UNSPECIFIED TOLERANCES ARE:

|                  |   |      |
|------------------|---|------|
| WHOLE DIM (X)    | : |      |
| ONE-PLACE (X.X)  | : | 1.0  |
| TWO-PLACE (X.XX) | : | 0.50 |
| ANGLE            | : |      |

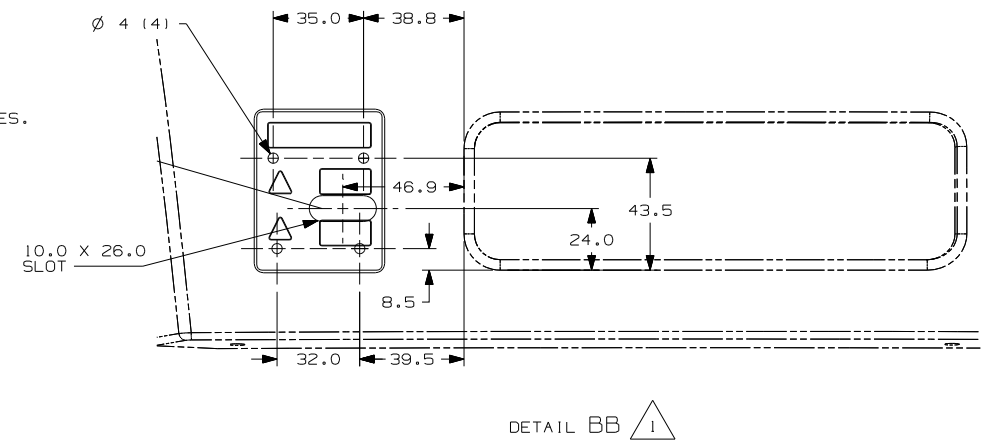
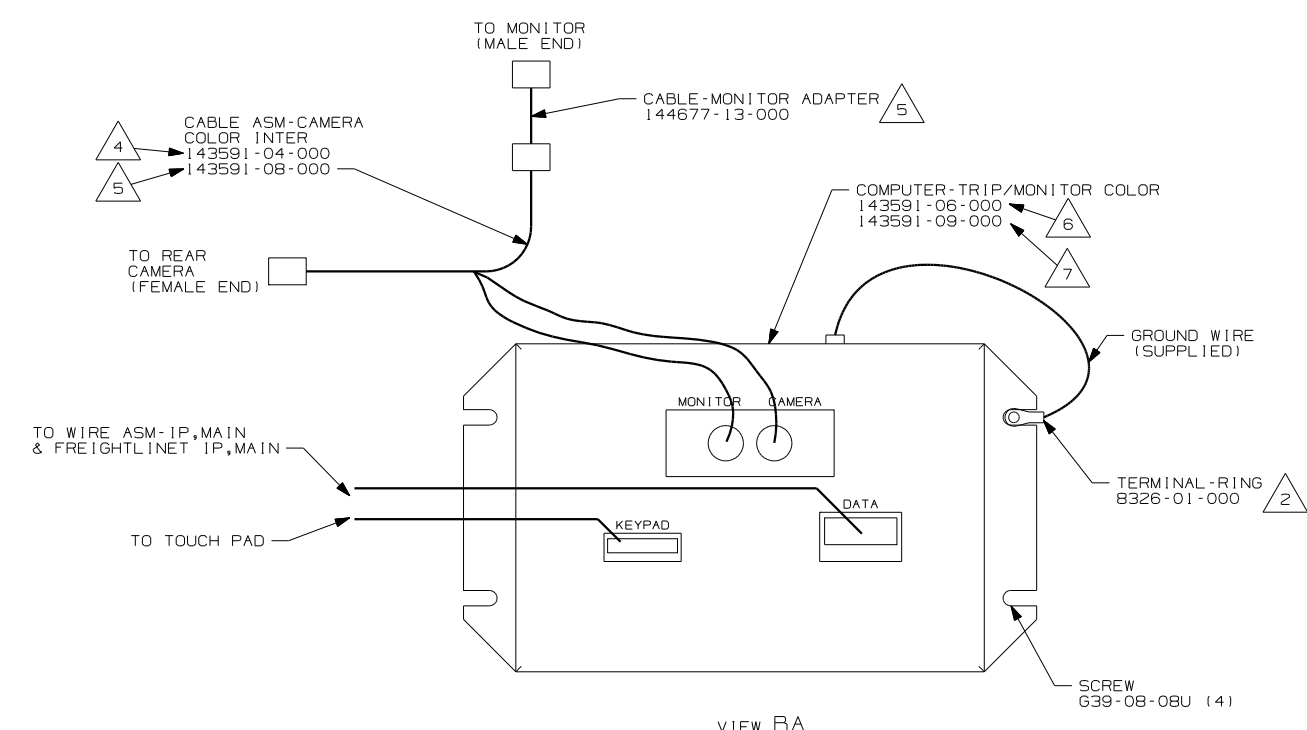
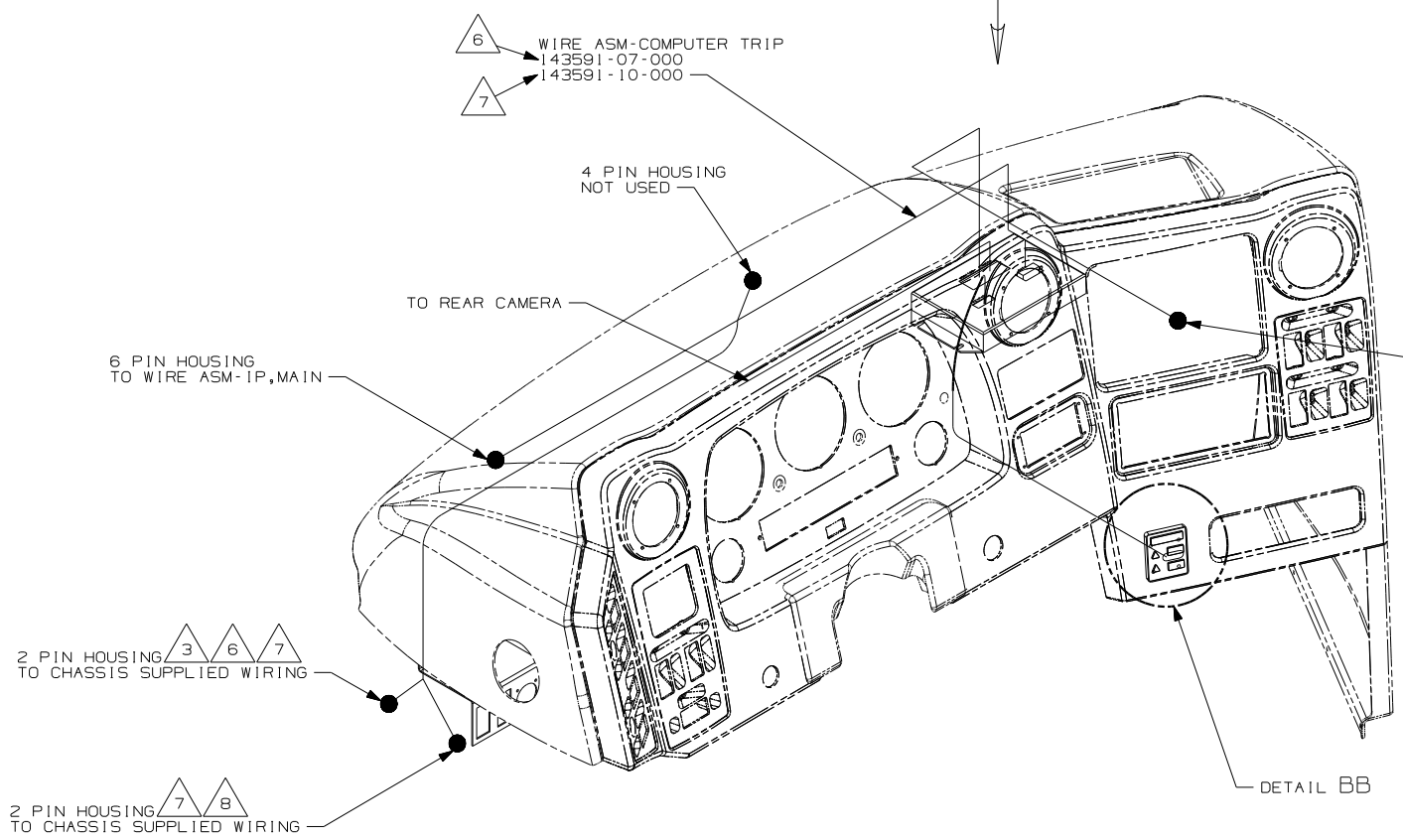
THIRD ANGLE PROJECTION

DO NOT SCALE DRAWING

TITLE: WIRING INSTL-TRIP COMPUTER

SHEET 1 OF 2 PART NO 153806

REF: 1 10/10/2005

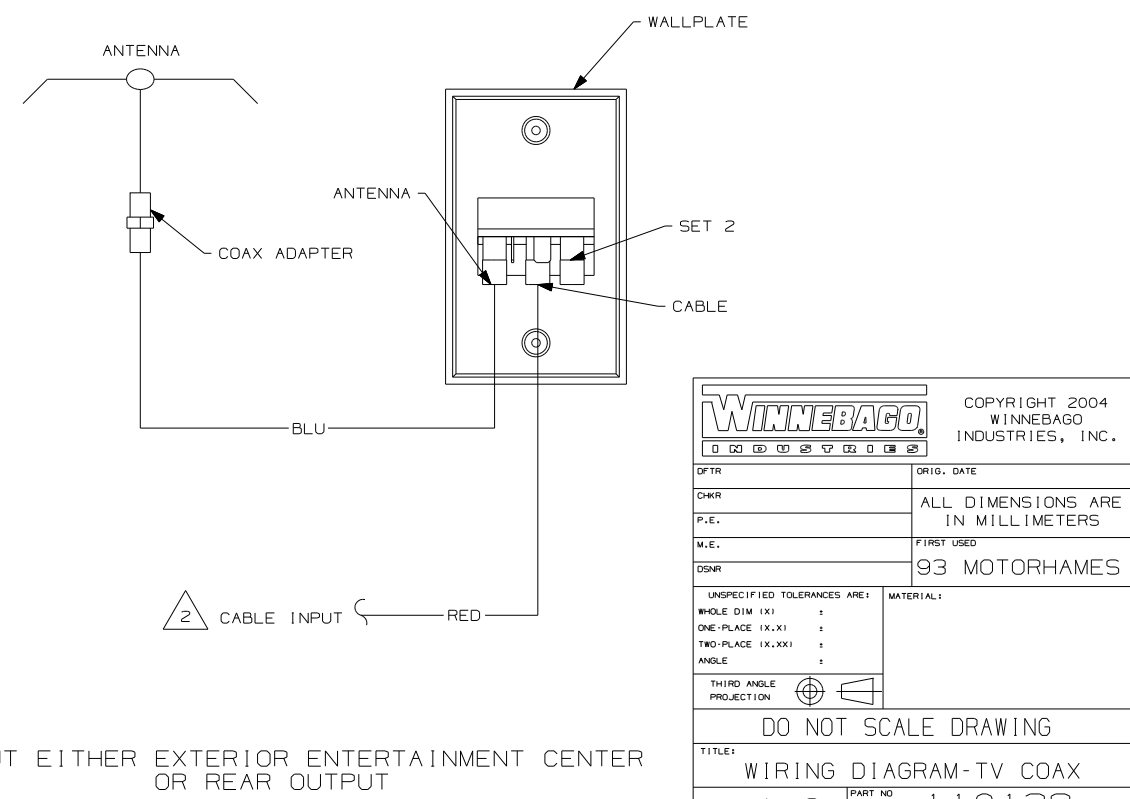
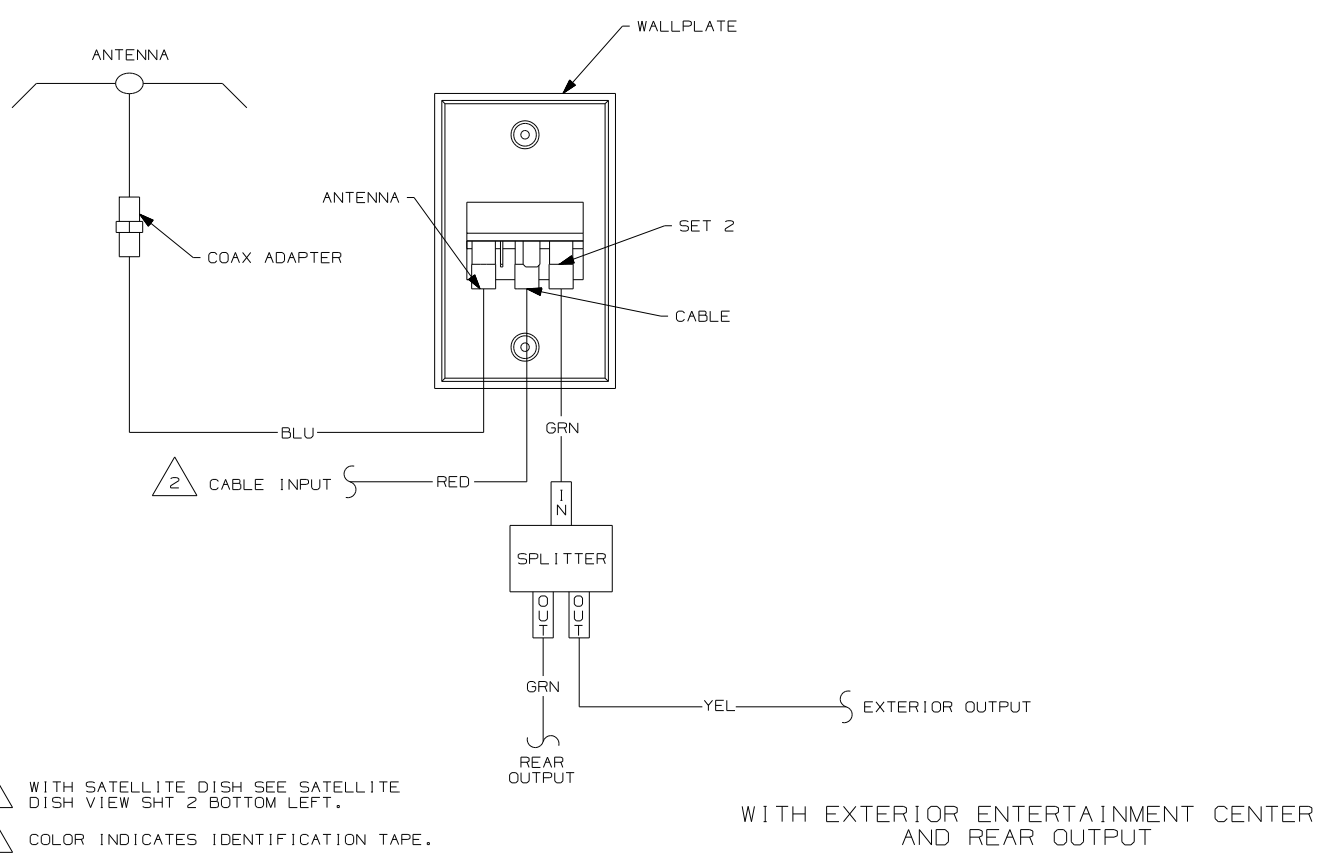
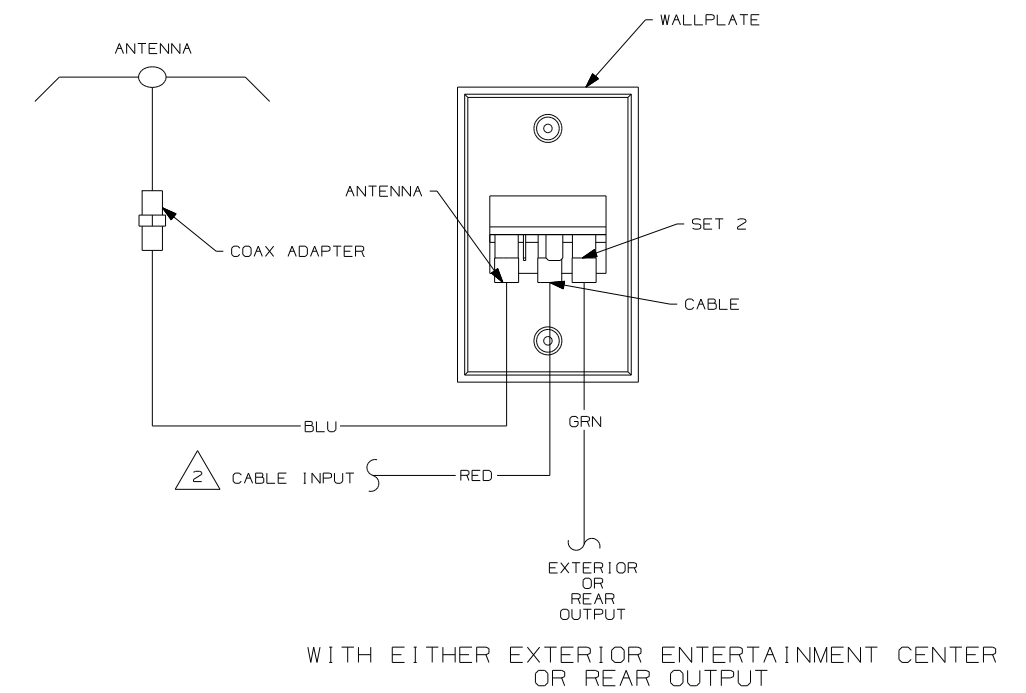
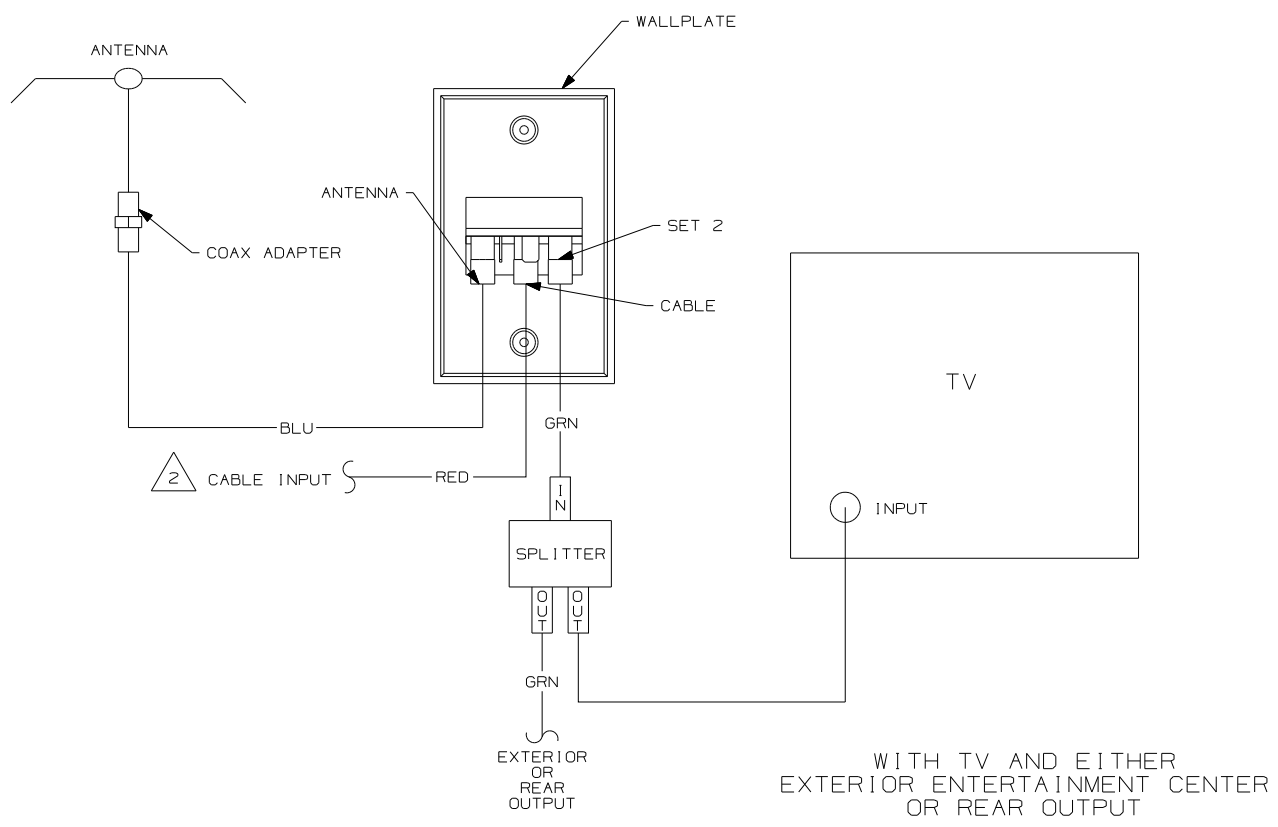


- NOTES:
- 8 CONNECT TRIP TEK 2 PIN HOUSING TO MATING FREIGHTLINER 2 PIN HOUSING W/YELLOW AND DARK GREEN TWISTED PAIR WIRES.
  - 7 USED WITH GEN 4 TRANSMISSION. CHASSIS PART NUMBERS ENDING WITH -341 OR -342.
  - 6 USED WITH PRE-GEN 4 TRANSMISSION. CHASSIS PART NUMBERS ENDING WITH -311 OR -312.
  - 5 FOR USE ON R-SERIES ONLY.
  - 4 FOR USE ON S-SERIES ONLY.
  - 3 CONNECT TRIP TEK 2 PIN HOUSING TO MATING FREIGHTLINER 2 PIN HOUSING W/GREEN AND ORANGE TWISTED PAIR WIRES.
  - 2 ADD RING TERMINAL TO EXISTING GROUND AND MOUNT UNDER COMPUTER MOUNTING SCREW.
  - 1 USE VENDOR SUPPLIED NUTS.

42V VCR/SWITCHING SYSTEM

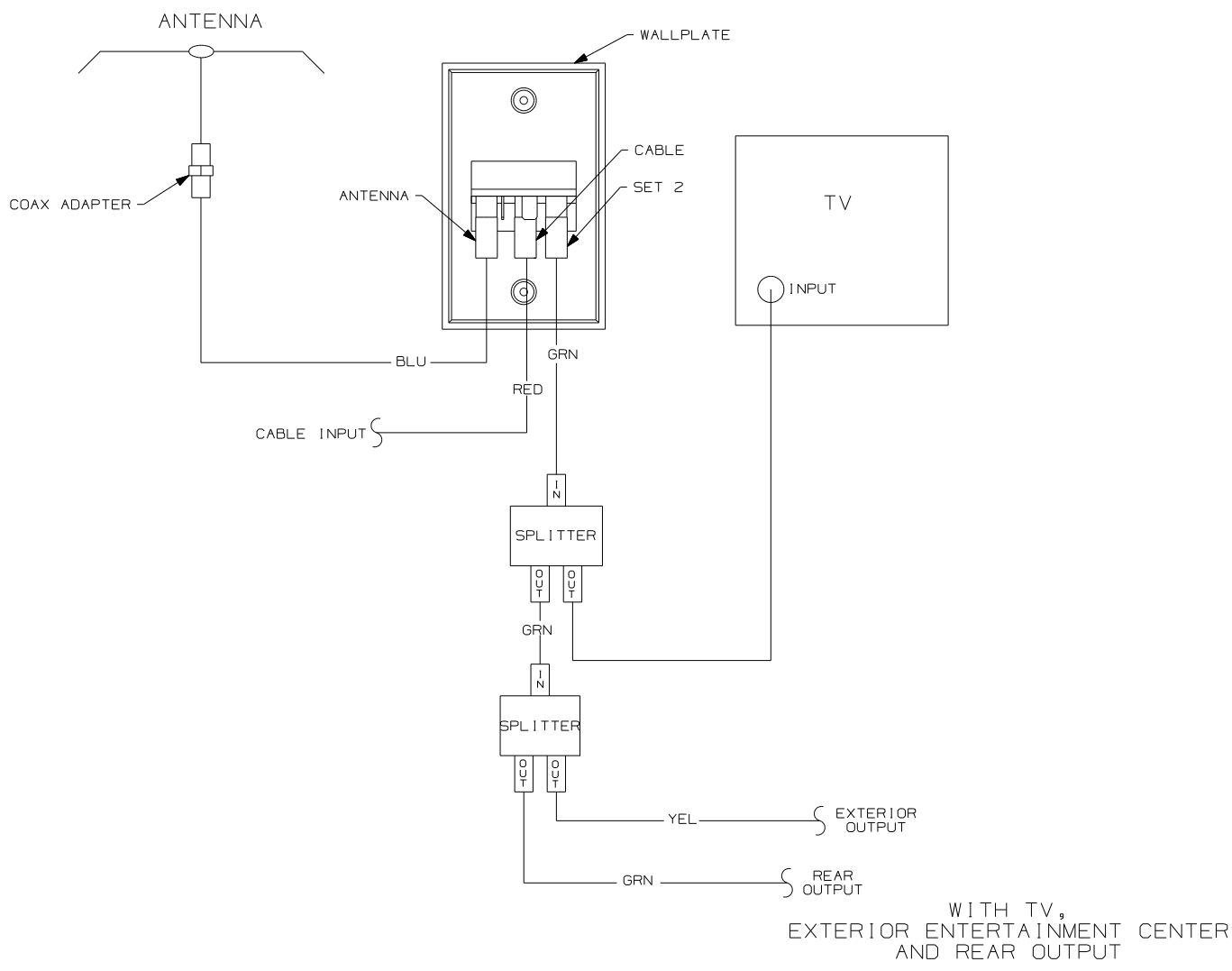
42V

|                            |                |
|----------------------------|----------------|
| FIRST USED                 |                |
| 06 MOTORHOMES              |                |
| DO NOT SCALE DRAWING       |                |
| TITLE:                     |                |
| WIRING INSTL-TRIP COMPUTER |                |
| SHEET 2                    | PART NO 153806 |

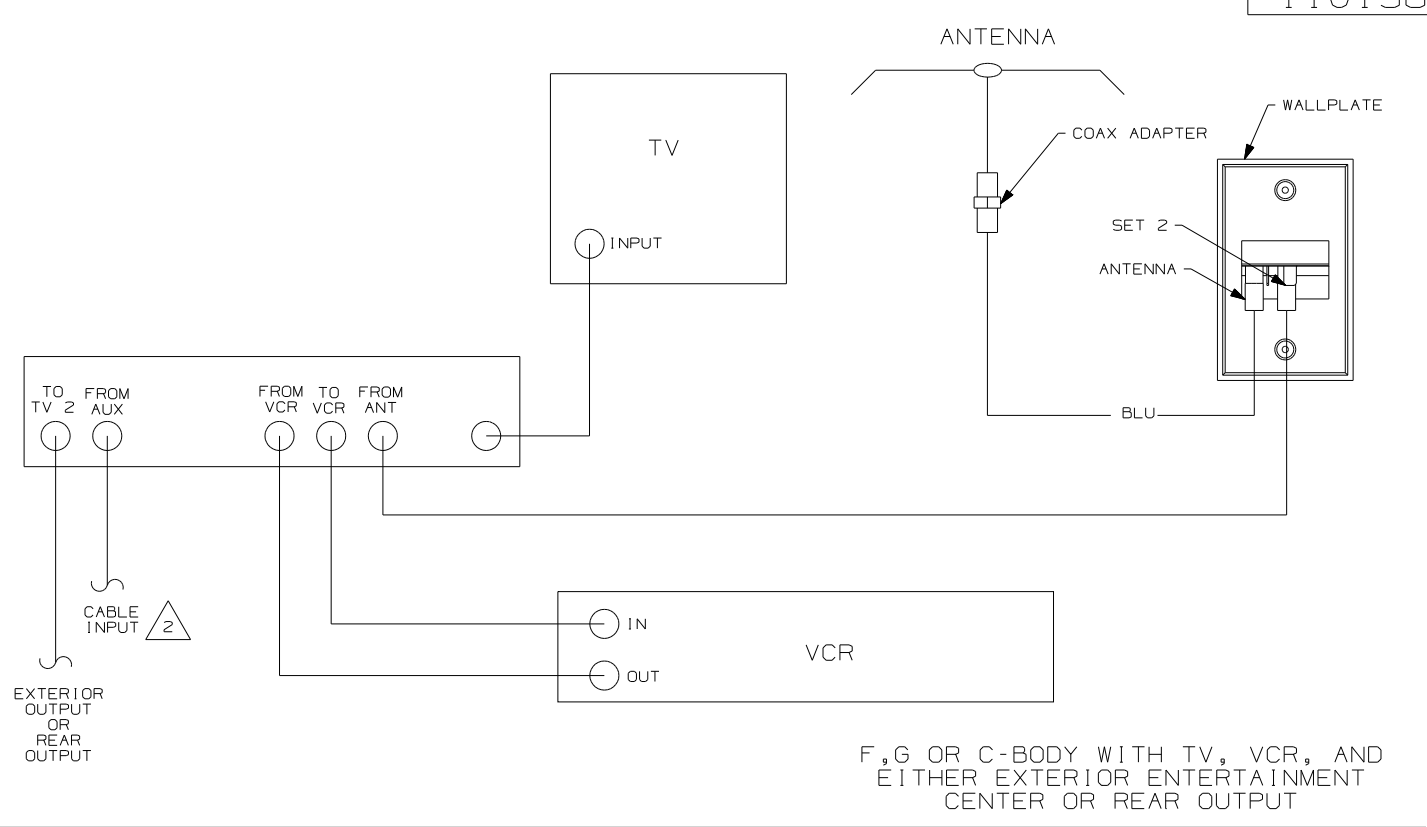


NOTES:  
 2 WITH SATELLITE DISH SEE SATELLITE DISH VIEW SHT 2 BOTTOM LEFT.  
 1 COLOR INDICATES IDENTIFICATION TAPE.

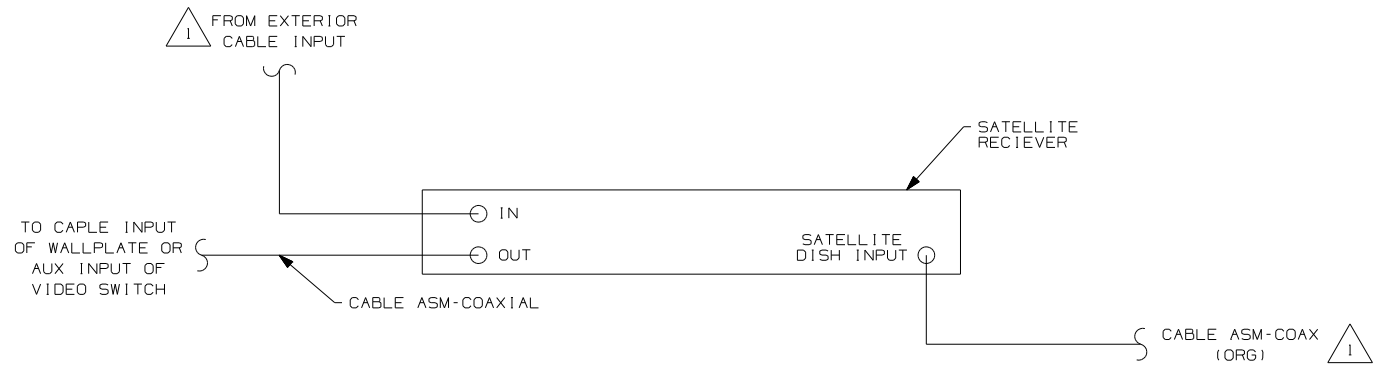
|                               |            |   |   |
|-------------------------------|------------|---|---|
| <b>WINNEBAGO</b>              |            | COPYRIGHT 2004 WINNEBAGO INDUSTRIES, INC. |   |
| DFTR                          | ORIG. DATE | ALL DIMENSIONS ARE IN MILLIMETERS         |   |
| CHKR                          |            | FIRST USED                                |   |
| P.E.                          |            | 93 MOTORHAMES                             |   |
| M.E.                          |            | UNSPECIFIED TOLERANCES ARE:               |   |
| DSNR                          |            | MATERIAL:                                 |   |
|                               |            | WHOLE DIM (X)                             | : |
|                               |            | ONE-PLACE (X.X)                           | : |
|                               |            | TWO-PLACE (X.XX)                          | : |
|                               |            | ANGLE                                     | : |
|                               |            | THIRD ANGLE PROJECTION                    | ⊕ |
| DO NOT SCALE DRAWING          |            |   |   |
| TITLE: WIRING DIAGRAM-TV COAX |            |   |   |
| SHEET 1 OF 2                  | PART NO    | 110138                                    |   |
| REF:                          |            | 1 07/08/2004                              |   |



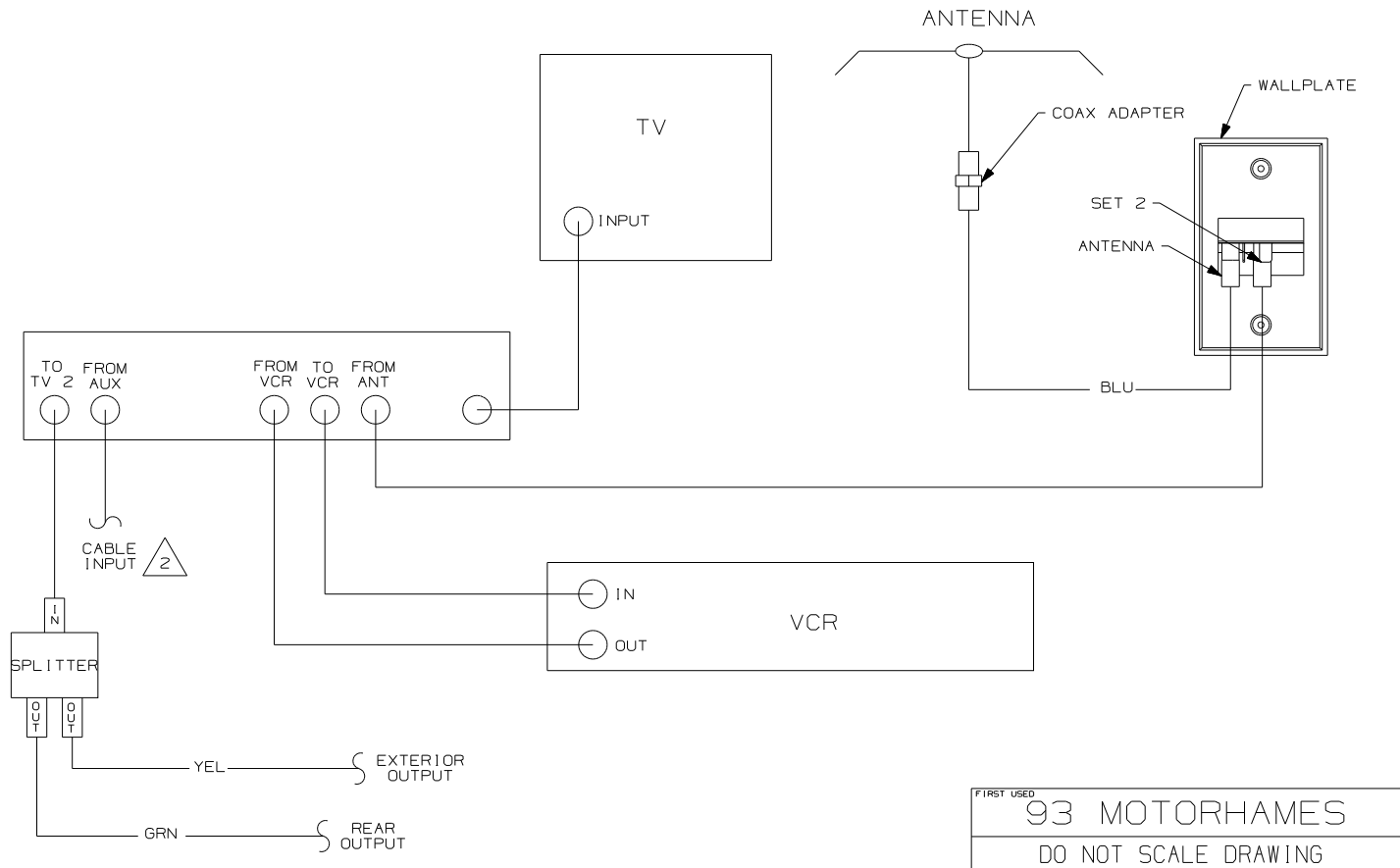
WITH TV, EXTERIOR ENTERTAINMENT CENTER AND REAR OUTPUT



F,G OR C-BODY WITH TV, VCR, AND EITHER EXTERIOR ENTERTAINMENT CENTER OR REAR OUTPUT



- NOTES:
- 2 WITH SATELLITE DISH SEE SATELLITE DISH VIEW BOTTOM LEFT.
  - 1 CONNECT TV COAX TO JACK ON FRONT OF WALLPLATE.

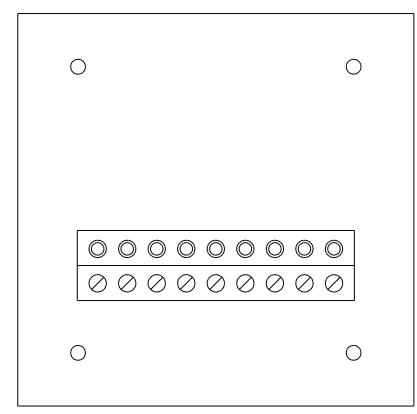
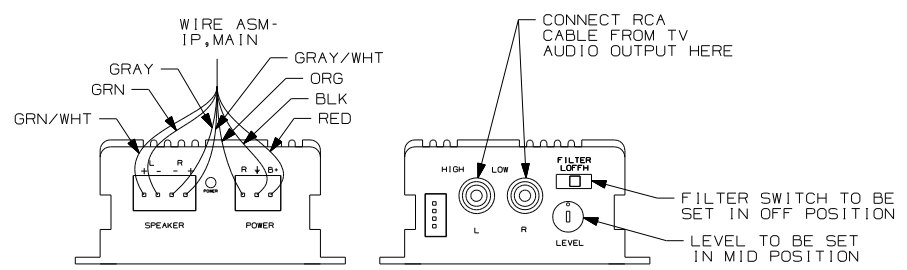
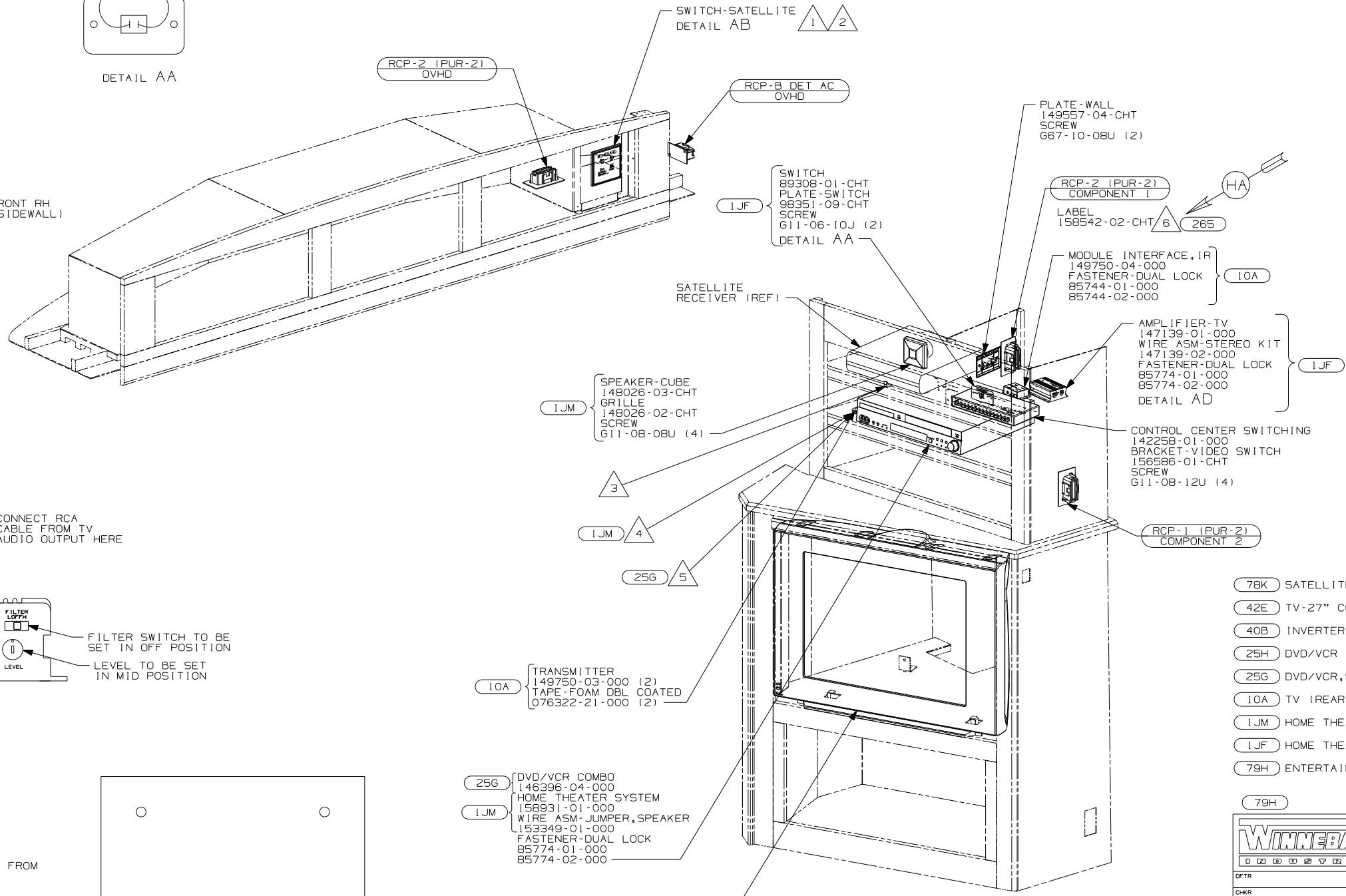
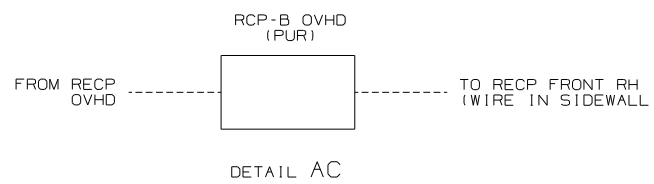
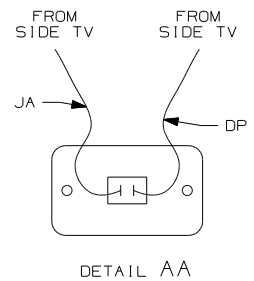


N,M OR P-SERIES WITH TV AND VCR OR F,G OR C-BODY WITH TV, VCR, EXTERIOR ENTERTAINMENT CENTER AND REAR OUTPUT

|                               |                |
|-------------------------------|----------------|
| FIRST USED                    |                |
| 93 MOTORHAMES                 |                |
| DO NOT SCALE DRAWING          |                |
| TITLE: WIRING DIAGRAM-TV COAX |                |
| SHEET 2                       | PART NO 110138 |

| DRAWING NO. | MODEL | SHEET |
|-------------|-------|-------|
| 153031-01   | F38J  | 1 & 8 |
| 153031-02   | G37B  | 2 & 8 |
| 153031-03   | G38J  | 3 & 8 |
| 153031-04   | G38R  | 4 & 8 |
| 153031-05   | G38T  | 5 & 8 |
| 153031-06   | R40FD | 6 & 8 |
| 153031-07   | S40FD | 7 & 8 |

|          |                 |        |          |
|----------|-----------------|--------|----------|
| RELEASE  | REV/DATE        | OWG NO | 153031   |
| REV ZONE | REVISION RECORD | DATE   | DFTR-016 |



- NOTES:
- 6 WITH (1JF) AND (25H).
  - 5 POSITION TRANSMITTER UNDERNEATH DVD/VCR 260MM FROM LEFT SIDE OF DVD/VCR.
  - 4 POSITION TRANSMITTER UNDERNEATH DVD/VCR, 170MM FROM RIGHT SIDE OF DVD/VCR WITH (25G), OR POSITION TRANSMITTER ON THE FRONT LEFT SIDE OF THE DVD/VCR USING TIE-MOUNT 155366-01-000 AND TIE-WIRE 8343-01-000 45MM UP FROM BOTTOM TO LINE UP WITH THE RECEIVER EYE WITH (1JM)
  - 3 POSITION TRANSMITTER IN THE MIDDLE OF THE TOP SHELF OPENING.
  - 2 SEE WIRING NISTL-BODY, 12V FOR ADDITIONAL INFORMATION.
  - 1 SWITCH SUPPLIED WITH SATELLITE DISH.

- (78K) SATELLITE DISH-AUTOMATIC
- (42E) TV-27" COLOR, STEREO W/REMOTE
- (40B) INVERTER-DC/AC, 300 WATT
- (25H) DVD/VCR - WITHOUT
- (25G) DVD/VCR, STEREO, W/REMOTE
- (10A) TV (REAR)-20" COLOR, STEREO
- (1JM) HOME THEATER SOUND SYSTEM
- (1JF) HOME THEATER SYS-WITHOUT
- (79H) ENTERTAINMENT CTR-INTERIOR

F38J

**WINNEBAGO** COPYRIGHT 2006 WINNEBAGO INDUSTRIES, INC.

|      |                                   |
|------|-----------------------------------|
| DFTR | ORIG. DATE                        |
| CHKR | ALL DIMENSIONS ARE IN MILLIMETERS |
| P.E. | FIRST USED                        |
| M.E. | 06 A-BODIES                       |
| DSNR |                                   |

UNSPECIFIED TOLERANCES ARE: MATERIAL:

WHOLE DIM (X) :  
ONE-PLACE (X.X) :  
TWO-PLACE (X.XX) :  
ANGLE :

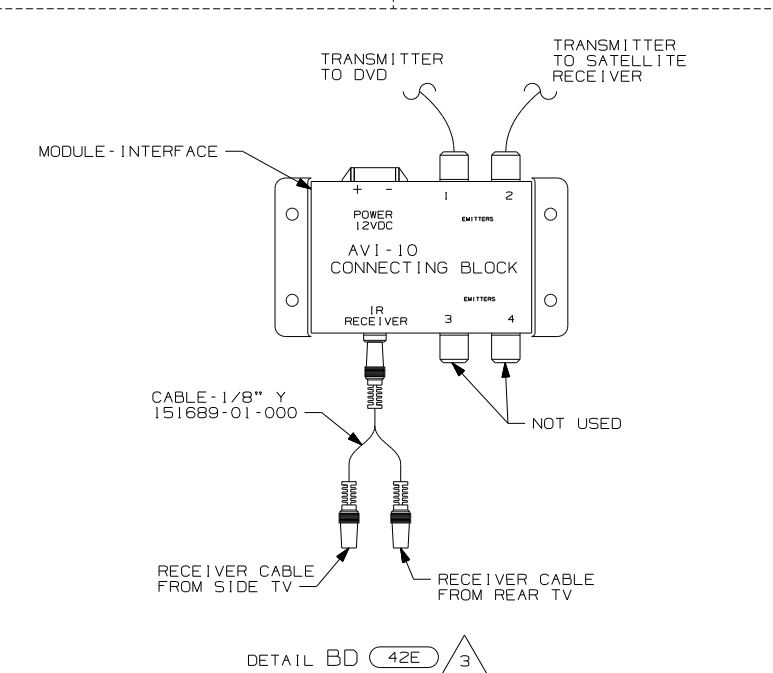
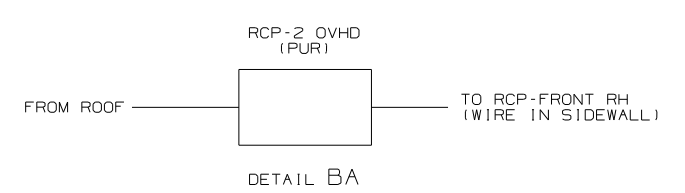
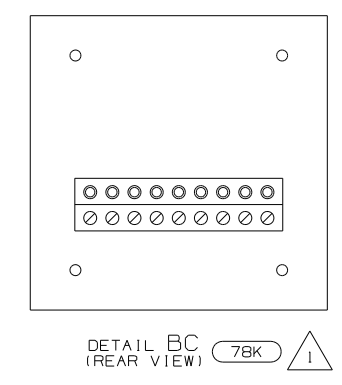
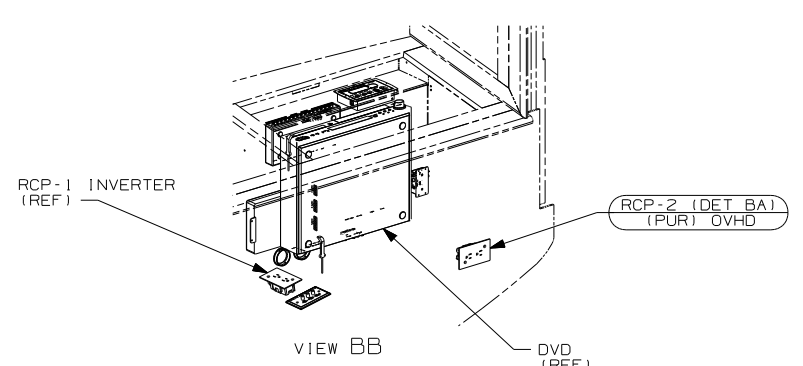
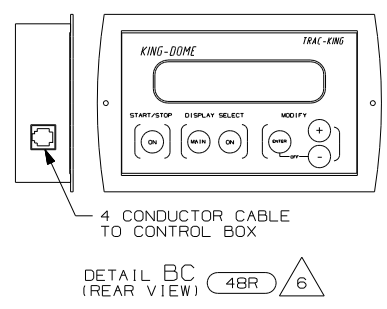
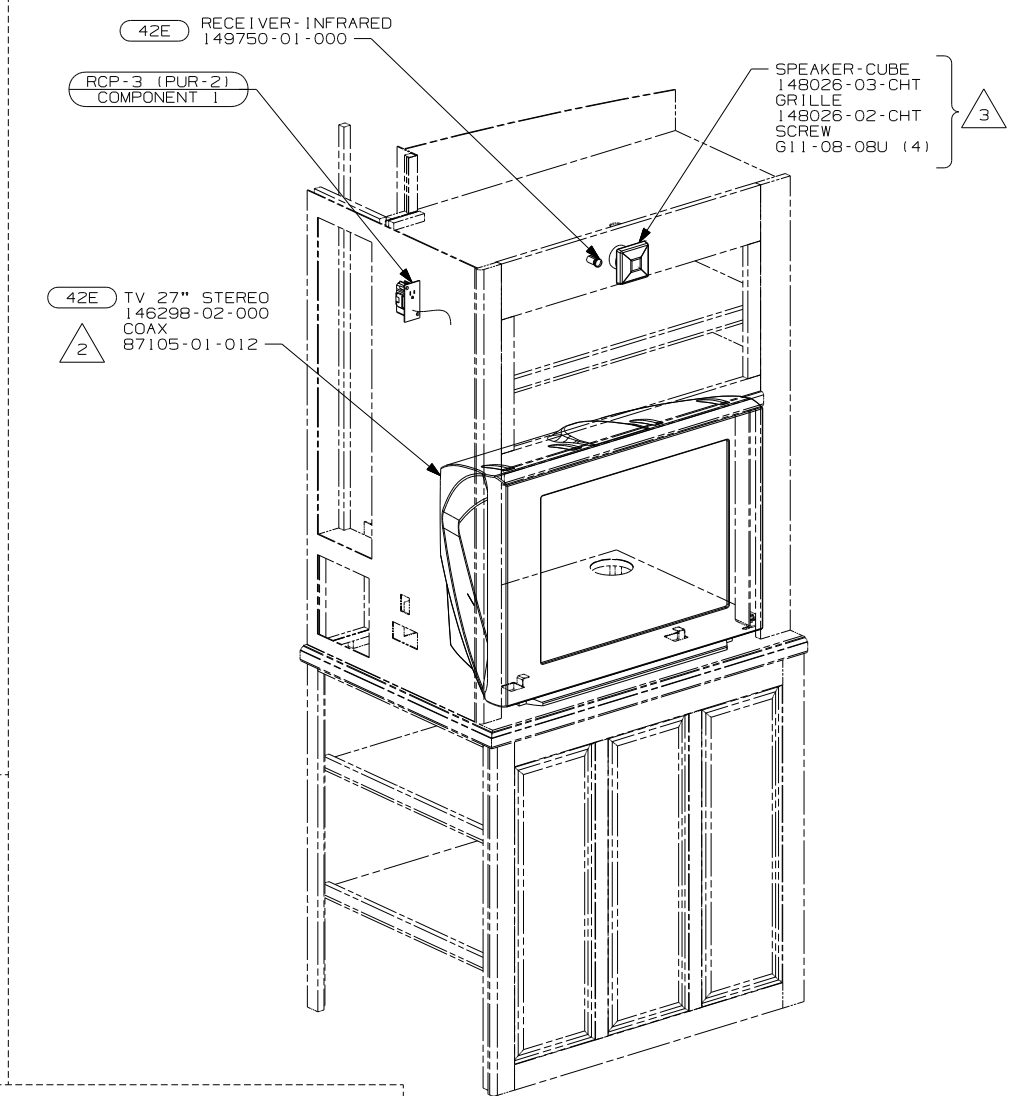
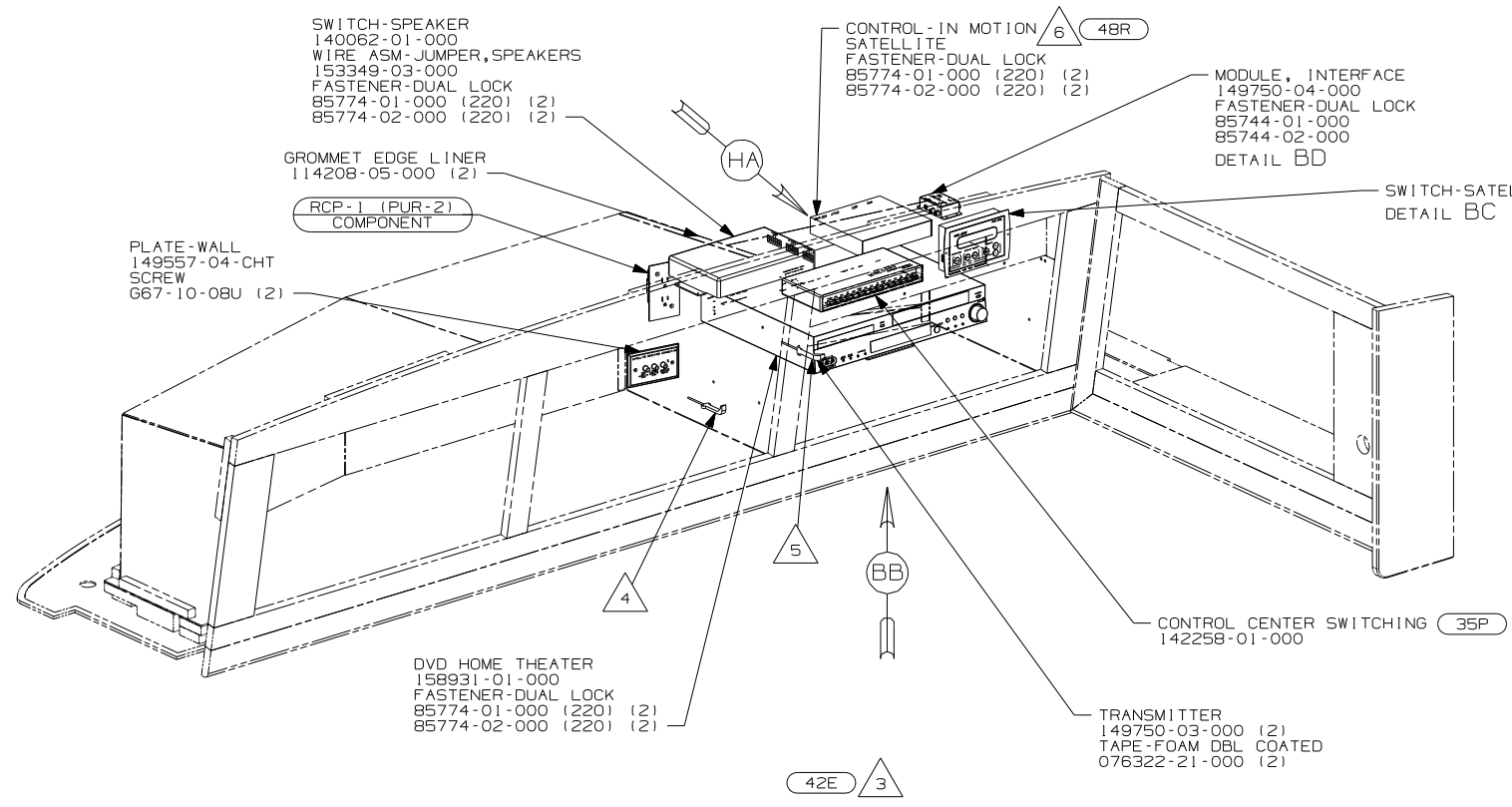
THIRD ANGLE PROJECTION

DO NOT SCALE DRAWING

TITLE: WIRING INSTL-TV/DVD, SIDE

SHEET 1 OF 8 PART NO 153031 REV

REF: 1 6/15/2006



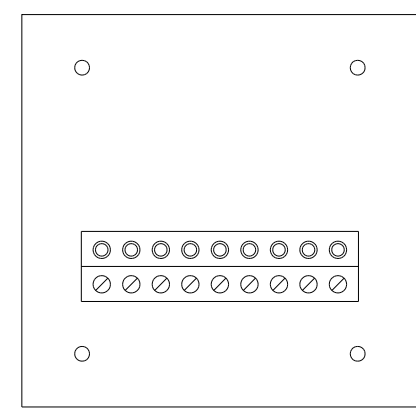
- NOTES:
- 3 NOT USED IF OPTION (42N) IS USED WITH (42E). SEE WIRING INSTL-TV/DVD,FRONT FOR ADDITIONAL INFORMATION.
  - 2 SEE WIRING INSTL-BODY,12V FOR ADDITIONAL INFORMATION.
  - 1 SWITCH SUPPLIED WITH SATELLITE DISH.

- 6 PARTS ARE SUPPLIED WITH SATELLITE KIT 154474-02-000
- 5 POSITION TRANSMITTER ON THE FRONT LEFT SIDE OF THE DVD/VCR USING TIE-MOUNT 155366-01-000 AND TIE-WIRE 8343-01-000 45MM UP FROM BOTTOM TO LINE UP WITH THE RECEIVER EYE
- 4 POSITION TRANSMITTER IN CORNER OF THE SHELF & COIL EXCESS WIRE FOR FUTURE USE.

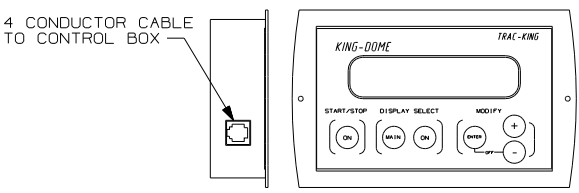
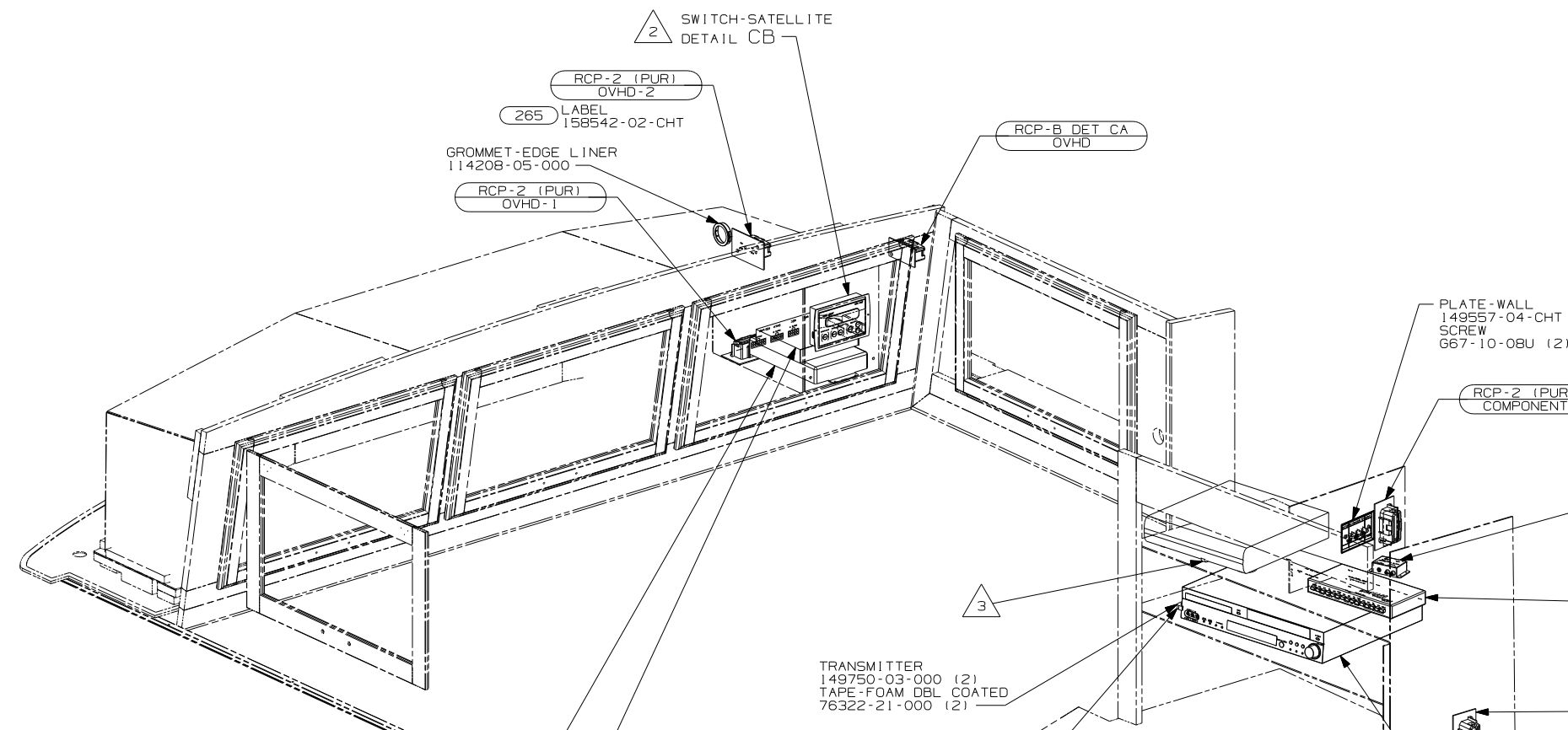
- (78K) SATELLITE DISH-AUTOMATIC
- (48R) SAT SYS IN-MOTION W/O RCVR
- (42N) TV(FRONT)-27" COLOR STEREO
- (42E) TV-27" COLOR,STEREO W/REMOTE
- (35P) VIDEO SELECTION SYSTEM

|                                    |         |        |     |
|------------------------------------|---------|--------|-----|
| FIRST USED                         |         | G37B   |     |
| 06 A-BODIES                        |         |        |     |
| DO NOT SCALE DRAWING               |         |        |     |
| TITLE:<br>WIRING INSTL-TV/DVD,SIDE |         |        |     |
| SHEET 2                            | PART NO | 153031 | REV |



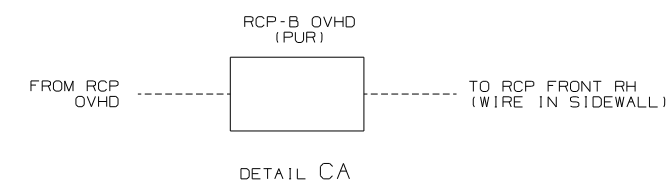


DETAIL CB (REAR VIEW) 78K 1



DETAIL CB 48R 5

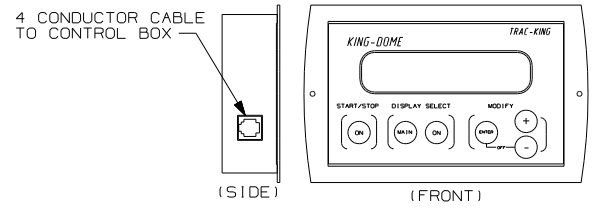
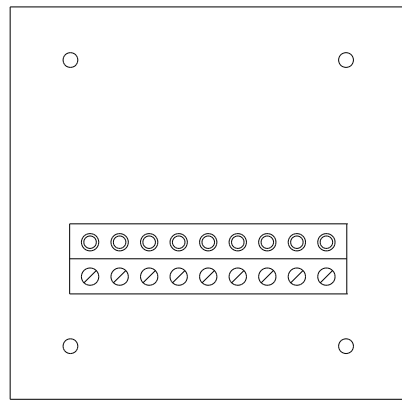
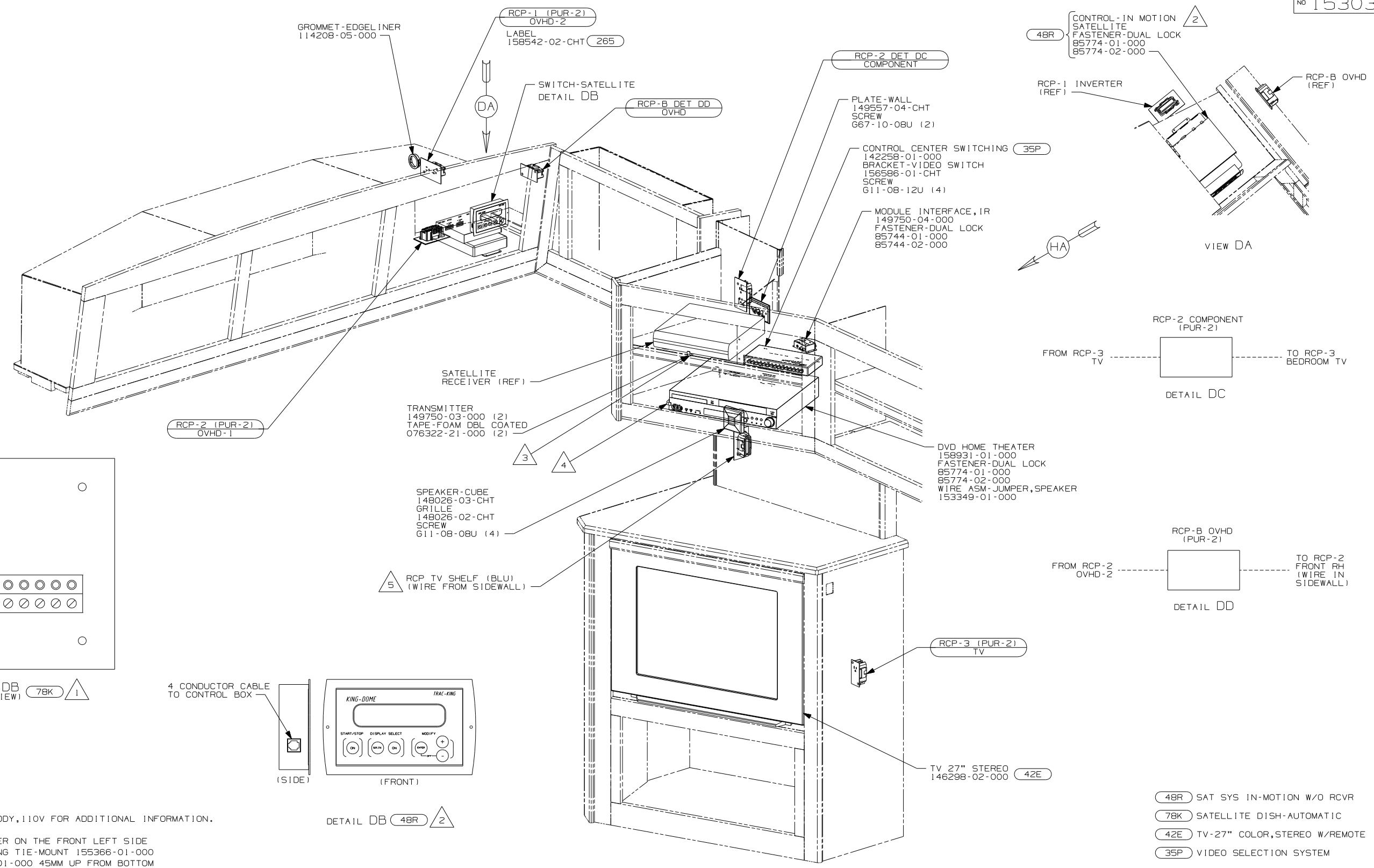
- NOTES:
- 5 PARTS ARE SUPPLIED WITH SATELLITE KIT 154474-02-000.
  - 4 POSITION TRANSMITTER ON THE FRONT LEFT SIDE OF THE DVD/VCR USING TIE-MOUNT 155366-01-000 AND TIE-WIRE 8343-01-000 45MM UP FROM BOTTOM TO LINE UP WITH THE RECEIVER EYE.
  - 3 POSITION TRANSMITTER IN THE MIDDLE OF THE TOP SHELF OPENING.
  - 2 SEE WIRING INSTL-BODY,12V FOR ADDITIONAL INFORMATION.
  - 1 SWITCH SUPPLIED WITH SATELLITE DISH.



DETAIL CA

- 78K SATELLITE DISH-AUTOMATIC
- 48R SAT SYS IN-MOTION W/O RCVR
- 42E TV-27" COLOR, STEREO W/REMOTE
- 35P VIDEO SELECTION SYSTEM
- 79H ENTERTAINMENT CTR-INTERIOR

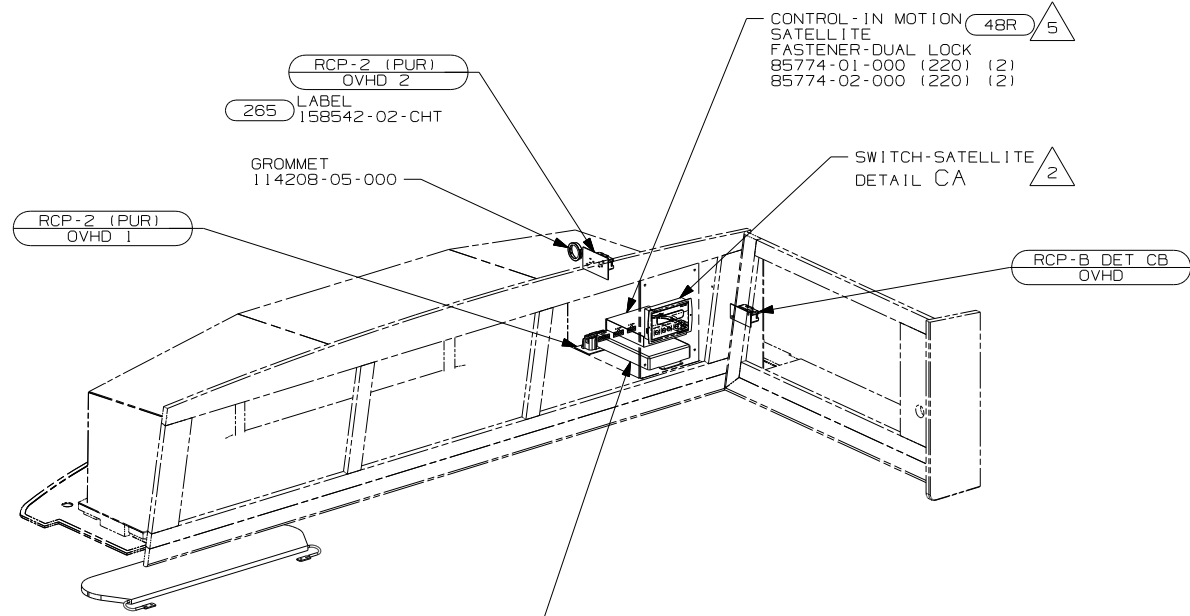
|                                     |         |        |     |
|-------------------------------------|---------|--------|-----|
| FIRST USED                          |         | G38J   |     |
| 06 A-BODIES                         |         |        |     |
| DO NOT SCALE DRAWING                |         |        |     |
| TITLE:<br>WIRING INSTL-TV/DVD, SIDE |         |        |     |
| SHEET 3                             | PART NO | 153031 | REV |



- NOTES:
- 5 SEE WIRING INSTL-BODY,110V FOR ADDITIONAL INFORMATION.
  - 4 POSITION TRANSMITTER ON THE FRONT LEFT SIDE OF THE DVD/VCR USING TIE-MOUNT 155366-01-000 AND TIE-WIRE 8343-01-000 45MM UP FROM BOTTOM TO LINE UP WITH THE RECEIVER EYE.
  - 3 POSITION TRANSMITTER IN THE MIDDLE OF THE TOP SHELF OPENING.
  - 2 PARTS ARE SUPPLIED WITH SATELLITE KIT 154474-02-000.
  - 1 SWITCH SUPPLIED WITH SATELLITE DISH.

- 48R SAT SYS IN-MOTION W/O RCVR
- 78K SATELLITE DISH-AUTOMATIC
- 42E TV-27" COLOR,STEREO W/REMOTE
- 35P VIDEO SELECTION SYSTEM

|                                    |         |        |     |
|------------------------------------|---------|--------|-----|
| FIRST USED                         |         | G38R   |     |
| 06 A-BODIES                        |         |        |     |
| DO NOT SCALE DRAWING               |         |        |     |
| TITLE:<br>WIRING INSTL-TV/DVD,SIDE |         |        |     |
| SHEET 4                            | PART NO | 153031 | REV |



SWITCH-SPEAKER  
140062-01-000  
FASTENER-DUAL LOCK  
85774-01-000 (220) (2)  
85774-02-000 (220) (2)

TRANSMITTER  
149750-03-000 (2)  
TAPE-FOAM DBL COATED  
076322-21-000 (2)

SPEAKER-CUBE  
148026-03-CHT  
GRILLE  
148026-02-CHT  
SCREW  
G11-08-08U (4)

RCP-2 (PUR-2)  
COMPONENT 1

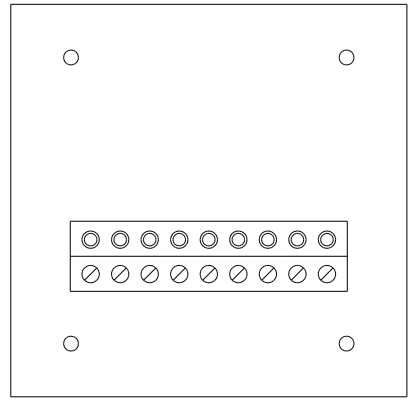
PLATE-WALL  
149557-04-CHT  
SCREW  
G67-10-08U (2)

MODULE INTERFACE  
149750-04-000  
FASTENER-DUAL LOCK  
85744-01-000  
85744-02-000

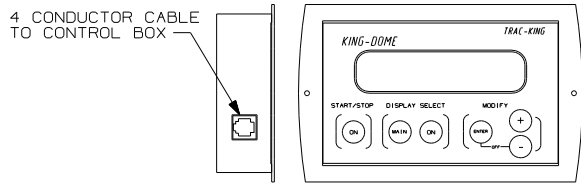
CONTROL CENTER SWITCHING (35P)  
142258-01-000  
BRACKET-VIDEO SWITCH  
156586-01-CHT  
SCREW  
G11-08-12U (4)

RCP-1 (PUR-2)  
COMPONENT 2

DVD HOME THEATER  
158931-01-000  
FASTENER-DUAL LOCK  
85774-01-000  
85774-02-000  
WIRE ASM-JUMPER,SPEAKERS  
153349-01-000

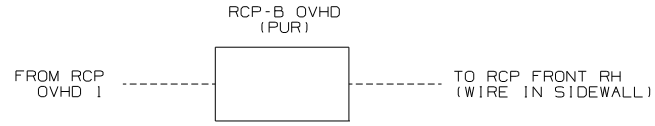


DETAIL CA (REAR VIEW) 78K 1



DETAIL CA 48R 5

42E TV 27" STEREO  
146298-02-000

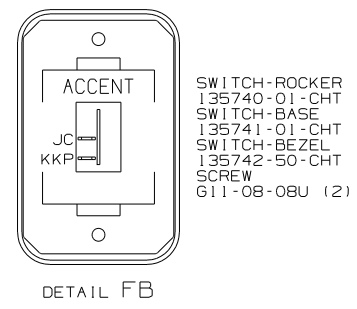
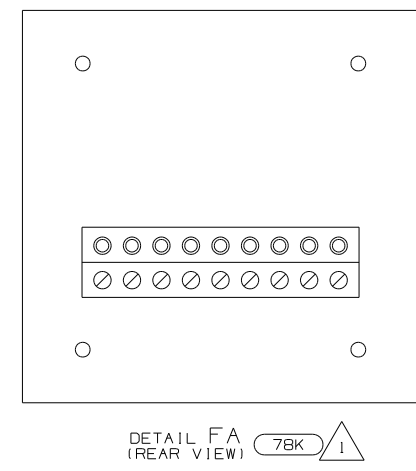
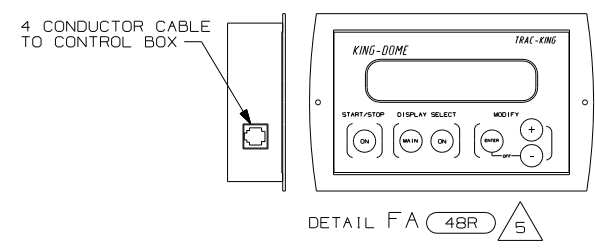
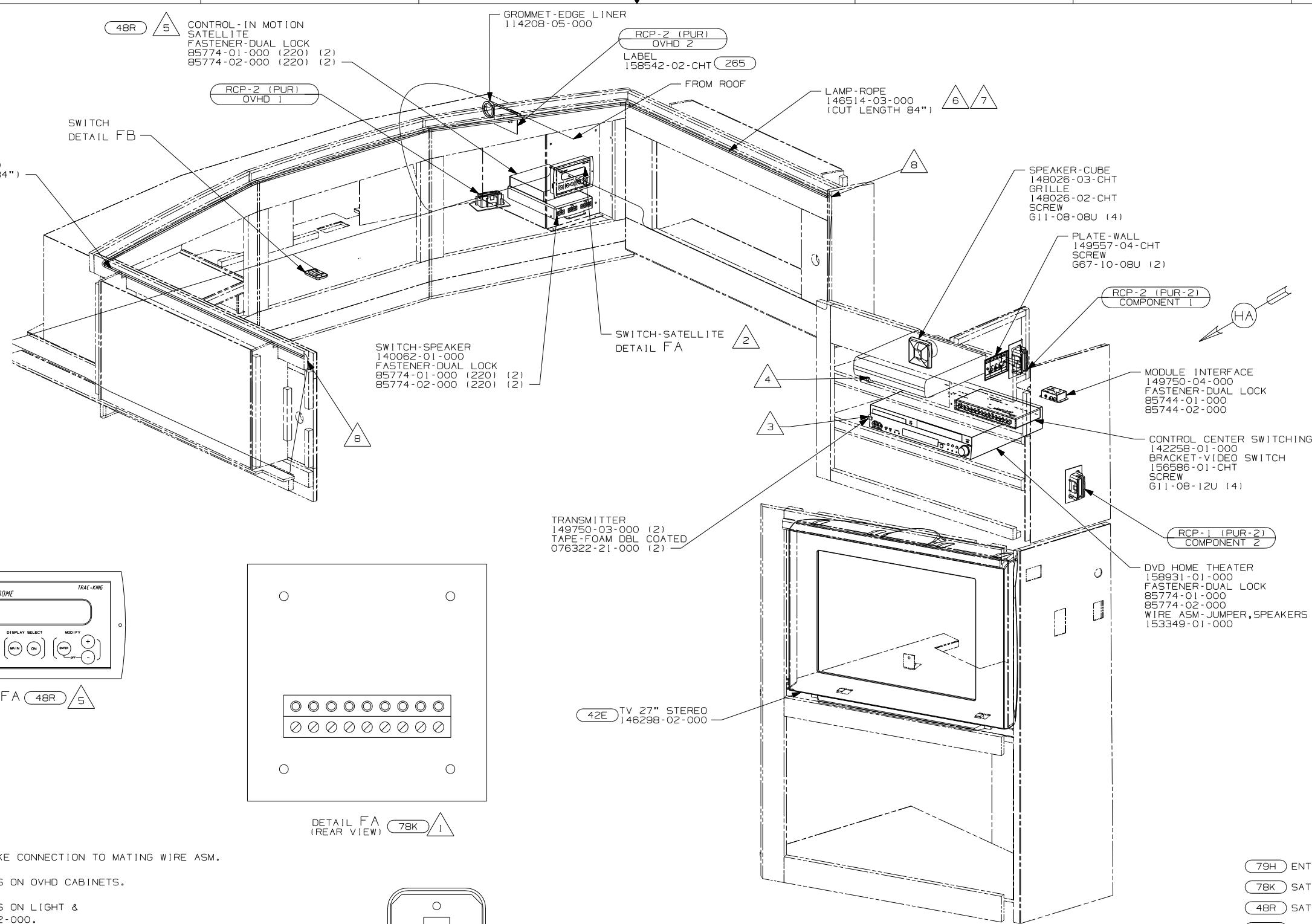


DETAIL CB

- 79H ENTERTAINMENT CTR-INTERIOR
- 78K SATELLITE DISH-AUTOMATIC
- 48R SAT SYS IN-MOTION W/O RCVR
- 42E TV-27" COLOR,STEREO W/REMOTE
- 35P VIDEO SELECTION SYSTEM
- 265 CODES/STANDARDS-CSA/CMVSS

|                                    |         |        |     |
|------------------------------------|---------|--------|-----|
| FIRST USED                         |         | G38T   |     |
| 06 A-BODIES                        |         |        |     |
| DO NOT SCALE DRAWING               |         |        |     |
| TITLE:<br>WIRING INSTL-TV/DVD,SIDE |         |        |     |
| SHEET 5                            | PART NO | 153031 | REV |

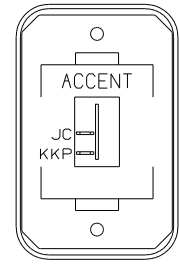
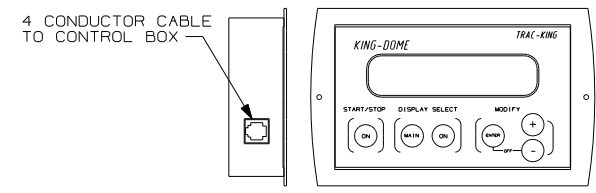
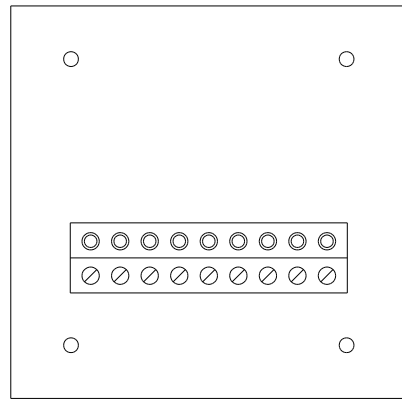
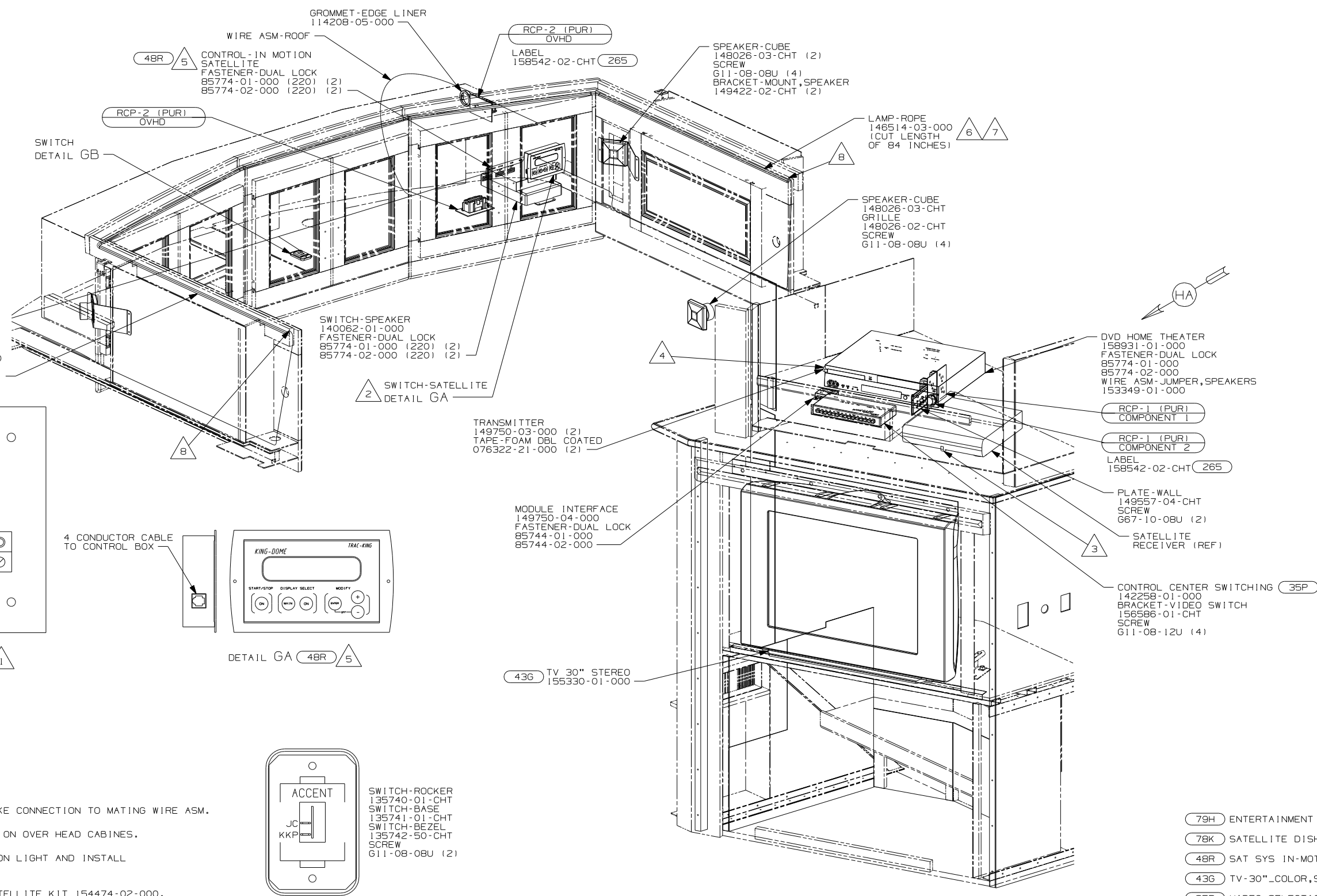
- NOTES:
- 5 PARTS ARE SUPPLIED WITH SATELLITE KIT 154474-02-000.
  - 4 POSITION TRANSMITTER ON THE FRONT LEFT SIDE OF THE DVD/VCR USING TIE-MOUNT 155366-01-000 AND TIE-WIRE 8343-01-000 45MM UP FROM BOTTOM TO LINE UP WITH THE RECEIVER EYE.
  - 3 POSITION TRANSMITTER IN THE MIDDLE OF THE TOP SHELF OPENING.
  - 2 SEE WIRING INSTALLATION-BODY,12V FOR ADDITIONAL INFORMATION.
  - 1 SWITCH SUPPLIED WITH SATELLITE DISH.



- NOTES:
- 8 PLACE CONNECTOR HERE TO MAKE CONNECTION TO MATING WIRE ASM.
  - 7 SNAP ROPE LIGHT IN CHANNELS ON OVHD CABINETS.
  - 6 CUT ROPE LIGHT AT "X" MARKS ON LIGHT & INSTALL CONNECTOR 146514-02-000.
  - 5 PARTS ARE SUPPLIED WITH SATELLITE KIT 154474-02-000.
  - 4 POSITION TRANSMITTER ON THE FRONT LEFT SIDE OF THE DVD/VCR USING TIE-MOUNT 155366-01-000 AND TIE-WIRE 8343-01-000 45MM UP FROM BOTTOM TO LINE UP WITH THE RECEIVER EYE.
  - 3 POSITION TRANSMITTER IN THE MIDDLE OF THE TOP SHELF OPENING.
  - 2 SEE WIRING INSTALLATION-BODY,12V FOR ADDITIONAL INFORMATION.
  - 1 SWITCH SUPPLIED WITH SATELLITE DISH.

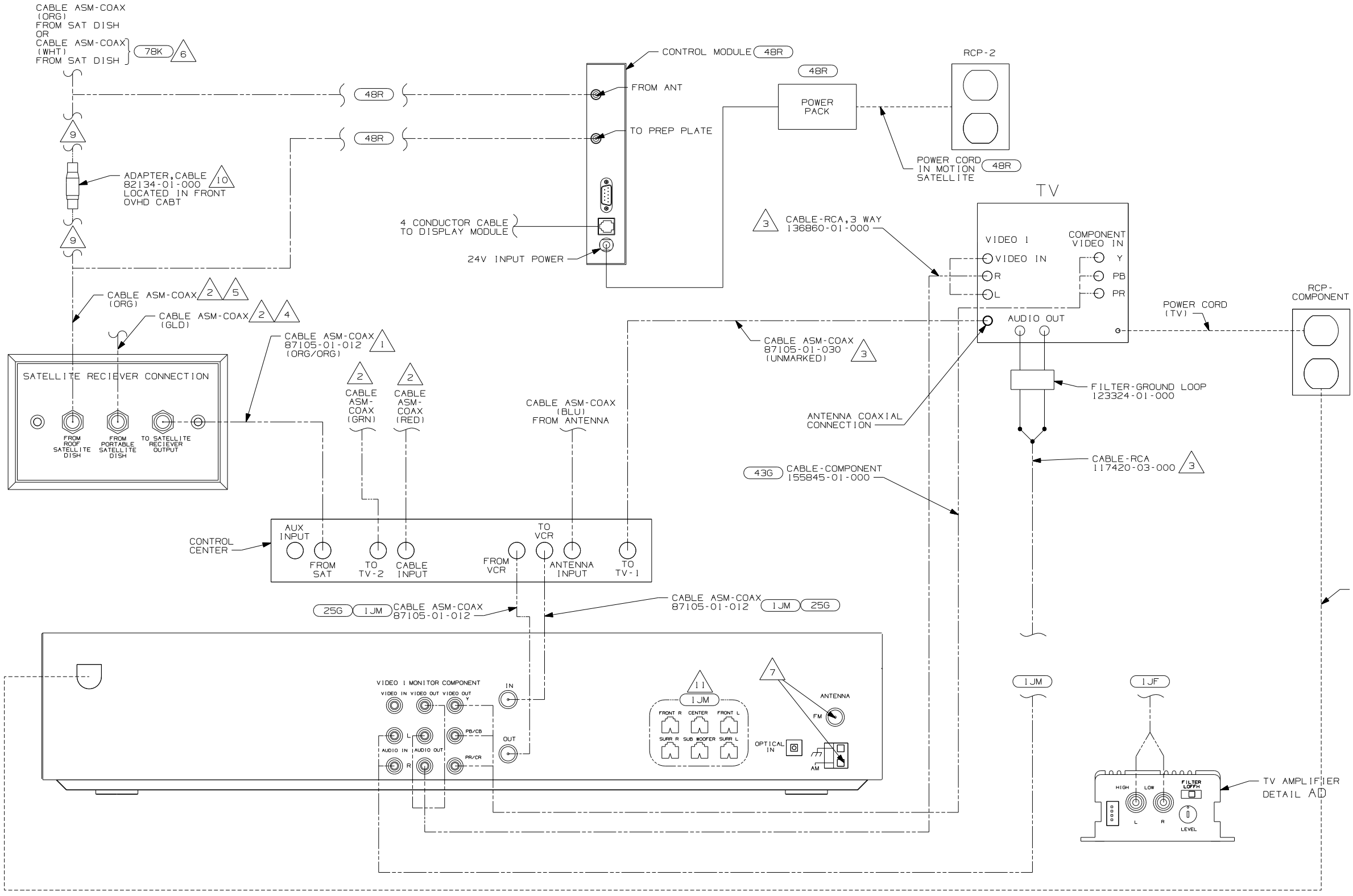
- 79H ENTERTAINMENT CTR-INTERIOR
- 78K SATELLITE DISH-AUTOMATIC
- 48R SAT SYS IN-MOTION W/O RCVR
- 42E TV-27" COLOR,STEREO W/REMOTE
- 35P VIDEO SELECTION SYSTEM
- 265 CODES/STANDARDS-CSA/CMVSS

|                                    |         |        |     |
|------------------------------------|---------|--------|-----|
| FIRST USED                         |         | R40FD  |     |
| 06 A-BODIES                        |         |        |     |
| DO NOT SCALE DRAWING               |         |        |     |
| TITLE:<br>WIRING INSTL-TV/DVD,SIDE |         |        |     |
| SHEET 6                            | PART NO | 153031 | REV |



- 8 PLACE CONNECTOR HERE TO MAKE CONNECTION TO MATING WIRE ASM.
- 7 SNAP ROPE LAMP IN CHANNELS ON OVER HEAD CABINES.
- 6 CUT ROPE LIGHT AT X MARKS ON LIGHT AND INSTALL CONNECTOR 146514-02-000.
- 5 PARTS ARE SUPPLIED WITH SATELLITE KIT 154474-02-000.
- 4 POSITION TRANSMITTER ON THE FRONT LEFT SIDE OF THE DVD/VCR USING TIE-MOUNT 155366-01-000 AND TIE-WIRE 8343-01-000 45MM UP FROM THE BOTTOM TO LINE UP WITH THE RECEIVER EYE.
- 3 POSITION TRANSMITTER IN THE MIDDLE OF THE TOP SHELF OPENING.
- 2 SEE WIRING INSTL-BODY, 12V FOR ADDITIONAL INFORMATION.
- 1 SWITCH SUPPLIED WITH SATELLITE DISH.

- 79H ENTERTAINMENT CTR-INTERIOR
- 78K SATELLITE DISH-AUTOMATIC
- 48R SAT SYS IN-MOTION W/O RCVR
- 43G TV-30" \_COLOR, STEREO W/REMOTE
- 35P VIDEO SELECTION SYSTEM
- 265 CODES/STANDARDS-CSA/CMVSS



- NOTES:
- 4 CONNECTED TO THE REAR SIDE OF SATELLITE PREP PLATE, CONNECTION LABELED 'FROM PORTABLE SATELLITE DISH.'
  - 3 NOT USED ON G37B. WIRE ROUTED IN ROOF.
  - 2 CABLE ROUTED IN ROOF OR THROUGH WIRE ASM-COACH.
  - 1 CONNECTED TO THE REAR SIDE OF SATELLITE PREP PLATE, CONNECTION LABELED 'TO SATELLITE RECEIVER OUTPUT.'
  - 8 CABLE IS SUPPLIED WITH DVD/VCR WITH 1JM
  - 7 ANTENNA CABLES ARE TO BE ATTACHED TO SIDEWALL AS HIGH AS POSSIBLE.
  - 6 WHT COAX IS PART OF WIRE ASM-SATELLITE AUTO GRAY COAX IS NOT USED, TAPE BACK TO HARNESS.
  - 5 CONNECTED TO THE REAR SIDE OF SATELLITE PREP PLATE, CONNECTION LABELED 'FROM ROOF SATELLITE DISH.'
  - 11 CONNECTS TO WIRE ASM-JUMPER, SPEAKER
  - 10 NOT USED WITH 4BR
  - 9 WITH 4BR COAX CABLES ARE CONNECTED TO THE SATELLITE CONTROL MODULE AS SHOWN BYPASSING THE ADAPTER, CABLE.

- 78K SATELLITE DISH-AUTOMATIC
- 4BR SAT SYS IN-MOTION W/O RCVR
- 43G HOME THEATER SYS-WITHOUT
- 25G DVD/VCR, STEREO, W/REMOTE
- 1JM HOME THEATER SOUND SYSTEM
- 1JF HOME THEATER SYS-WITHOUT

|                           |                    |
|---------------------------|--------------------|
| FIRST USED                |                    |
| 06 A-BODIES               |                    |
| DO NOT SCALE DRAWING      |                    |
| TITLE:                    |                    |
| WIRING INSTL-TV/DVD, SIDE |                    |
| SHEET 8                   | PART NO 153031 REV |

TERMINALS

SPLICES

| NO.   | PART NUMBER | DESCRIPTION   |
|-------|-------------|---|
| B-1   | 50003-01    | TERMINAL-PIN, 16-14 GA, .156 DIA                                      |
| B-2   | 50004-01    | TERMINAL-RECP, 16-14 GA, .156 DIA                                     |
| B-11  | 50003-02    | TERMINAL-PIN, 16-14 GA, .180 DIA                                      |
| B-12  | 50004-02    | TERMINAL-RECP, 16-14 GA, .180 DIA                                     |
| WP-1  | 106950-01   | TERMINAL-PIN, 16-14 GA  |
| WP-2  | 106950-02   | TERMINAL-PIN, 10-12 GA  |
| WP-3  | 106950-03   | TERMINAL-PIN, 8 GA  |
| R-1   | 35416-01    | TERMINAL-RING, #10 STD, 8 GA  |
| R-2   | 35416-02    | TERMINAL-RING, #10 STD, 6 GA  |
| R-3   | 35416-03    | TERMINAL-RING, #10 STD, 10-12 GA                                      |
| R-4   | 35416-04    | TERMINAL-RING, #10 STD, 14-16 GA                                      |
| R-5   | 37018-01    | TERMINAL-RING, 5/16 STD, 12-10 GA                                     |
| R-6   | 102777-01   | TERMINAL-RING, #6 STD, 14-16 GA                                       |
| R-7   | 102777-02   | TERMINAL-RING, #6 STD, 10-12 GA                                       |
| R-8   | 102777-03   | TERMINAL-RING, #6 STD, 8 GA   |
| R-9   | 33787-01    | TERMINAL-RING, #10 STD, 14 GA   |
| R-60  | 8325-01     | TERMINAL-RING, 1/4 STD, 14-16 GA                                      |
| R-61  | 8326-01     | TERMINAL-RING, 3/8 STD, 14-16 GA                                      |
| R-62  | 8327-01     | TERMINAL-RING, #10 STD, 14-16 GA                                      |
| R-63  | 8328-01     | TERMINAL-RING, #10 STD, 10-12 GA                                      |
| R-64  | 8328-02     | TERMINAL-RING, 3/8 STD, 10-12 GA                                      |
| R-65  | 8329-01     | TERMINAL-RING, 3/8 STD, 8 GA  |
| R-66  | 8331-01     | TERMINAL-RING, 3/8 STD, 4 GA  |
| R-67  | 8332-01     | TERMINAL-RING, 1/4 STD, 6 GA  |
| R-68  | 8332-02     | TERMINAL-RING, 1/4 STD, 10 GA   |
| R-69  | 8350-01     | TERMINAL-RING, 3/8 STD, 6 GA  |
| R-70  | 99275-02    | TERMINAL-RING, 7/16 STD, 8 GA   |
| R-71  | 101397-01   | TERMINAL-RING, #10 STD, 14-16 GA                                      |
| R-91  | 88791-01    | TERMINAL-RING, 3/8, 90°, 1/0 GA                                       |
| R-92  | 88791-02    | TERMINAL-RING, 3/8, 90°, 2 GA   |
| R-93  | 8348-01     | TERMINAL-RING, 3/8 STD, 2 GA  |
| R-94  | 99275-01    | TERMINAL-RING, 7/16 STD, 1/0 GA                                       |
| RF-51 | 7944-01     | TERMINAL-SPADE, 12-10 GA, #8 STUD                                     |
| RF-52 | 7945-01     | TERMINAL-SPADE, 18-14 GA, #8 STUD                                     |
| TR-1  | 47443-01    | TERMINAL-RECP, 16-14 GA, .25, INS                                     |
| TR-2  | 47443-02    | TERMINAL-RECP, 12-10 GA, .25, INS                                     |
| TR-3  | 47443-05    | TERMINAL-RECP, 22-18 GA, .25, INS                                     |
| TR-11 | 47443-03    | TERMINAL-RECP, 16-14 GA, .19, INS                                     |
| TR-12 | 47443-04    | TERMINAL-RECP, 16-14 GA, .11, INS                                     |
| TR-21 | 80015-01    | TERMINAL-RECP, 22-18 GA, .250, 90 DEG FOR USE WITH TAB THICKNESS .032 |
| TR-22 | 80015-02    | TERMINAL-RECP, 16-14 GA, .187, 90 DEG FOR USE WITH TAB THICKNESS .032 |
| TR-23 | 80015-03    | TERMINAL-RECP, 16-14 GA, .250, 90 DEG FOR USE WITH TAB THICKNESS .032 |
| TR-24 | 80015-04    | TERMINAL-RECP, 16-14 GA, .187, 90 DEG FOR USE WITH TAB THICKNESS .020 |
| TR-51 | 7940-01     | TERMINAL-RECP, 16-12 GA, .25, UNINS                                   |
| TR-52 | 23809-01    | TERMINAL-RECP, 16-14 GA, .19, UNINS                                   |
| TR-53 | 23809-02    | TERMINAL-RECP, 18-20 GA, .25, UNINS                                   |
| TR-54 | 49270-01    | TERMINAL-RECP, 18-20 GA, .19, UNINS                                   |
| TR-55 | 7940-02     | TERMINAL-RECP, 10 GA, .25, UNINS                                      |
| TT-1  | 85745-02    | TERMINAL-TAB, 16-14 GA, .25, INS                                      |
| TT-2  | 85745-03    | TERMINAL-TAB, 10-12 GA, .25, INS                                      |
| TT-11 | 85745-04    | TERMINAL-TAB, 18-22 GA, .19, INS                                      |
| TT-51 | 7942-01     | TERMINAL-TAB, 16-14 GA, .25, UNINS                                    |
| TT-52 | 7943-01     | TERMINAL-TAB, 14-10 GA, .25, UNINS                                    |
| MF6-1 | 129236-01   | TERMINAL-FEM, M/P, 630, 10-12   |
| MF6-2 | 129236-02   | TERMINAL-FEM, M/P, 630, 14-16   |

| NO.   | PART NUMBER | DESCRIPTION                         |
|-------|-------------|-------------------------------------|
| BS-1  | 31876-01    | SPLICE-BUTT, 16-14 GA, BLUE         |
| BS-2  | 31876-02    | SPLICE-BUTT, 12-10 GA, YELLOW       |
| BS-3  | 31876-03    | SPLICE-BUTT, 22-18 GA, RED          |
| BS-SB | 100070-01   | SPLICE-BUTT, 14-16 GA, SHRINK, BLUE |
| BS-RB | 112823-01   | SPLICE-BUTT, 14-22 GA, REDUCER      |
| S-1   | 7946-01     | SPLICE, 1-6 MM <sup>2</sup>         |
| S-2   | 23808-01    | SPLICE, 6-9 MM <sup>2</sup>         |
| 1-2   | 7956-02     | SHRINK WRAP .375 DIA                |
| 1-5   | 7956-05     | SHRINK WRAP .25 DIA                 |
| SH-1  | 58028-01    | SPLICE-HAT                          |
| S-10  | 101173-01   | SPLICE-BARREL, 26300 CMA            |

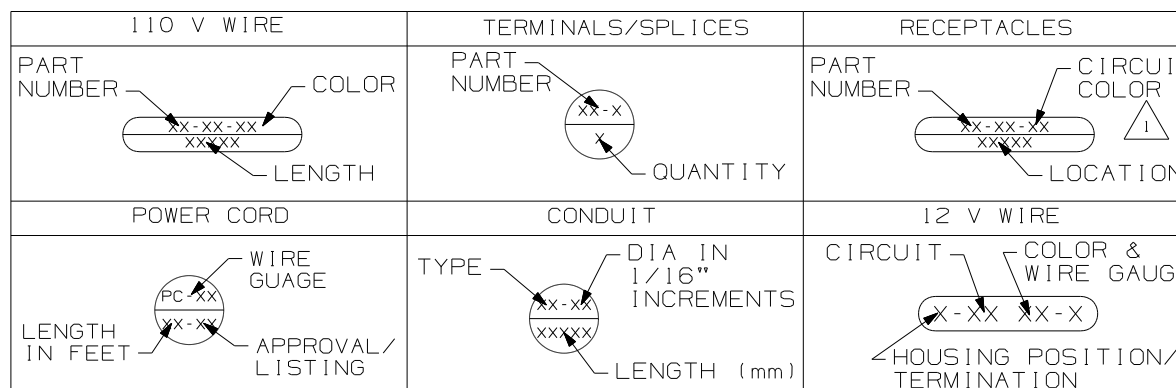
| NO.   | PART NUMBER   | DESCRIPTION   |
|-------|---|---|
| SP-1  | 90986-02  | PLUG ASM-ELECTRIC STEP  |
| SP-2  | 142524-01-000<br>098261-01-000<br>098262-07-000<br>098261-02-000 (3)<br>098262-01-000 (3) | HOUSING-4 PIN<br>SOCKET-CONNECTOR<br>SEAL-CONNECTOR<br>SOCKET-CONNECTOR<br>SEAL-CONNECTOR |
| HR-1  | 63910-01  | HOUSING-RELAY   |
| MP-8  | 125323-02   | HOUSING-PIN, 8 CAVITY   |
| MP-10 | 125323-01   | HOUSING-PIN, 10 CAVITY  |
| MPP   | 125324-01   | TERMINAL-MALE, M/P, 150   |
| CAV-1 | 125325-01   | SEAL-CAVITY, 150-SERIES M/P   |
| CON-3 | 98262-03  | SEAL-CONNECTOR  |
| LS-8  | 125323-03   | LOCK-SECONDARY 8 POSITION   |
| LS-10 | 125323-04   | LOCK-SECONDARY 10 POSITION  |
| H-8   | 108355-01   | HOUSING-SWITCH, 8 POSITION  |
| H-12  | 108355-02   | HOUSING-SWITCH, 12 POSITION   |

| NO.   | PART NUMBER   | DESCRIPTION   |
|-------|---|---|
| GEN-1 | 125323-02-000<br>125324-01-000 (4)<br>098262-03-000 (4)<br>125325-01-000 (4)<br>125323-03-000 | HOUSING-8 POSN, MALE, 150 SERIES<br>TERMINAL-MALE, M/P, 150<br>SEAL-CONNECTOR<br>SEAL-CAVITY, 150 SERIES M/P<br>LOCK-SECONDARY 8 POSITION   |
| GEN-2 | 125323-01-000<br>125324-01-000 (5)<br>098262-03-000 (5)<br>125325-01-000 (5)<br>125323-04-000 | HOUSING-10 POSN, MALE, 150 SERIES<br>TERMINAL-MALE, M/P, 150<br>SEAL-CONNECTOR<br>SEAL-CAVITY, 150 SERIES M/P<br>LOCK-SECONDARY 10 POSITION |

HOUSINGS AND TERMINALS

| NO.    | PART NUMBER | DESCRIPTION                       |
|--------|-------------|-----------------------------------|
| HS-2   | 88474-10    | HOUSING-SOCKET, 2 CAVITY          |
| HS-3   | 88474-09    | HOUSING-SOCKET, 3 CAVITY          |
| HS-4   | 88474-08    | HOUSING-SOCKET, 4 CAVITY          |
| HS-5   | 88474-07    | HOUSING-SOCKET, 5 CAVITY          |
| HS-6   | 88474-06    | HOUSING-SOCKET, 6 CAVITY          |
| HS-7   | 88474-05    | HOUSING-SOCKET, 6 CAVITY-IN LINE  |
| HS-9   | 88474-03    | HOUSING-SOCKET, 9 CAVITY          |
| HS-12  | 88474-01    | HOUSING-SOCKET, 12 CAVITY         |
| HS-15  | 88474-02    | HOUSING-SOCKET, 15 CAVITY         |
| HS-2-R | 88474-12    | HOUSING-SOCKET, 2 CAVITY-RED      |
| HP-2   | 88473-10    | HOUSING-PIN, 2 CAVITY             |
| HP-3   | 88473-09    | HOUSING-PIN, 3 CAVITY             |
| HP-4   | 88473-08    | HOUSING-PIN, 4 CAVITY             |
| HP-5   | 88473-07    | HOUSING-PIN, 5 CAVITY             |
| HP-6   | 88473-06    | HOUSING-PIN, 6 CAVITY             |
| HP-7   | 88473-05    | HOUSING-PIN, 6 CAVITY-IN LINE     |
| HP-8   | 88473-04    | HOUSING-PIN, 8 CAVITY-IN LINE     |
| HP-9   | 88473-03    | HOUSING-PIN, 9 CAVITY             |
| HP-12  | 88473-01    | HOUSING-PIN, 12 CAVITY            |
| HP-15  | 88473-02    | HOUSING-PIN, 15 CAVITY            |
| HP-2-R | 88473-15    | HOUSING-PIN, 2 CAVITY-RED         |
| HP-3-B | 88473-12    | HOUSING-PIN, 3 CAVITY-BLUE        |
| HP-3-G | 88473-13    | HOUSING-PIN, 3 CAVITY-GREEN       |
| HP-3-R | 88473-14    | HOUSING-PIN, 3 CAVITY-RED         |
| TS-1   | 88476-01    | SOCKET-CONNECTOR, 20-14 GA        |
| TS-2   | 88476-02    | SOCKET-CONNECTOR, 12-10 GA        |
| TP-1   | 88475-01    | PIN-CONNECTOR, 20-14 GA           |
| TP-2   | 88475-02    | PIN-CONNECTOR, 12-10 GA           |
| HS2HA  | 137208-01   | HOUSING-SOCKET, 2 CAVITY-HIGH AMP |
| HP2HA  | 137207-01   | HOUSING-PIN, 2 CAVITY-HIGH AMP    |
| TS-HA  | 137210-01   | SOCKET-CONNECTOR, 10AWG HIGH AMP  |
| TP-HA  | 137209-01   | PIN-CONNECTOR, 10AWG HIGH AMP     |
| H-HA   | 104100-01   | HOUSING, 1 CAVITY 75 AMP          |
| T-HA   | 104100-03   | TERMINAL 10 AWG - 6 AWG 75 AMP    |

BALLOON CALLOUT LEGEND



**WINNEBAGO** INDUSTRIES, INC. COPYRIGHT 2006

UNSPECIFIED TOLERANCES ARE: MATERIAL:

DO NOT SCALE DRAWING

TITLE: PART LISTING-ELECTRICAL

SHEET 1 OF 7 PART NO 121339 REV

1 FOR RECP-BLANK, DET-X DENOTES DETAIL VIEW. 2 CONTACT WIRE PREP PRIOR TO USING FOR TOOLING PURPOSES.

WIRE-SINGLE INS CONDUCTOR, STRANDED

| NO.            | PART NUMBER            | DESCRIPTION   |
|----------------|------------------------|---|
| 18-W<br>18-Y   | 156658-01<br>156658-02 | WIRE, 18 GA. WHITE, PVC<br>WIRE, 18 GA. YELLOW, PVC   |
| 16-Y<br>16-W   | 89360-01<br>89360-02   | WIRE, 16 GA. YELLOW, PVC<br>WIRE, 16 GA. WHITE, PVC   |
| 14-Y<br>14-W   | 48554-02<br>48554-04   | WIRE, 14 GA. YELLOW, PVC<br>WIRE, 14 GA. WHITE, PVC   |
| 12-Y<br>12-W   | 48555-02<br>48555-04   | WIRE, 12 GA. YELLOW, PVC<br>WIRE, 12 GA. WHITE, PVC   |
| 10-Y<br>10-W   | 8000-03<br>8000-05     | WIRE, 10 GA. YELLOW, PVC<br>WIRE, 10 GA. WHITE, PVC   |
| 8-B<br>8-G     | 8005-01<br>8005-03     | WIRE, 8 GA. BLACK, PVC<br>WIRE, 8 GA. GREEN, PVC      |
| 6-B<br>6-G     | 70065-01<br>70065-03   | WIRE, 6 GA. BLACK, PVC<br>WIRE, 6 GA. GREEN, PVC      |
| 18-WX<br>18-YX | 121015-01<br>121015-02 | WIRE, 18 GA. WHITE, XLPE<br>WIRE, 18 GA. YELLOW, XLPE |
| 16-YX<br>16-WX | 116675-01<br>116675-02 | WIRE, 16 GA. YELLOW, XLPE<br>WIRE, 16 GA. WHITE, XLPE |
| 14-YX<br>14-WX | 98586-01<br>98586-02   | WIRE, 14 GA. YELLOW, XLPE<br>WIRE, 14 GA. WHITE, XLPE |
| 12-YX<br>12-WX | 98609-01<br>98609-02   | WIRE, 12 GA. YELLOW, XLPE<br>WIRE, 12 GA. WHITE, XLPE |
| 10-YX<br>10-WX | 116676-03<br>116676-04 | WIRE, 10 GA. YELLOW, XLPE<br>WIRE, 10 GA. WHITE, XLPE |
| 8-BX<br>8-GX   | 116674-01<br>116674-02 | WIRE, 8 GA. BLACK, XLPE<br>WIRE, 8 GA. GREEN, XLPE    |
| 6-BX<br>6-GX   | 116687-01<br>116687-02 | WIRE, 6 GA. BLACK, XLPE<br>WIRE, 6 GA. GREEN, XLPE    |

RECEPTACLES

| NO.   | PART NUMBER   | DESCRIPTION                           |
|-------|---------------|---------------------------------------|
| RCP-1 | 86738-02-CHT  | RECEPTACLE-SINGLE, FLUSH MOUNT        |
| RCP-2 | 86738-01-CHT  | RECEPTACLE-DOUBLE, FLUSH MOUNT        |
| RCP-3 | 58707-01-000  | RECEPTACLE-SINGLE, SURFACE MOUNT      |
| RCP-4 | 157360-01-000 | RECEPTACLE-SINGLE, SURFACE MOUNT, 20A |
| RCP-5 | 160984-01-CHT | RECEPTACLE-SINGLE, FLUSH MOUNT, 20A   |
| RCP-B | 58707-02-000  | RECEPTACLE-BLANK, JUNCTION            |
| RCP-E | 131826-01-CHT | INCLUDES COVER & GASKET               |

WIRE-NM SHEATHED CABLE

| NO.     | PART NUMBER   | DESCRIPTION                    |
|---------|---------------|--------------------------------|
| 14 UL   | 8027-01-000   | WIRE 14-2 ROMEX W/GROUND (UL)  |
| 14 CA   | 8023-02-000   | WIRE 14-2 ROMEX W/GROUND (CAN) |
| 12 UL   | 8026-01-000   | WIRE 12-2 ROMEX W/GROUND (UL)  |
| 12 CA   | 8023-01-000   | WIRE 12-2 ROMEX W/GROUND (CAN) |
| 12-3 UL | 8026-03-000   | WIRE 12-3 ROMEX W/GROUND (UL)  |
| 12-3 CA | 8023-03-000   | WIRE 12-3 ROMEX W/GROUND (CAN) |
| 10 UL   | 8022-01-000   | WIRE 10-2 ROMEX W/GROUND (UL)  |
| 10 CA   | 24743-01-000  | WIRE 10-2 ROMEX W/GROUND (CAN) |
| 6-3 UL  | 108914-01-000 | WIRE 6-3 ROMEX W/GROUND (UL)   |
| 6-3 CA  | 113136-01-000 | WIRE 6-3 ROMEX W/GROUND (CAN)  |
| 6-2 UL  | 108914-02-000 | WIRE 6-2 ROMEX W/GROUND (UL)   |
| 4-3 UL  | 128375-01-000 | WIRE 4-3 ROMEX W/GROUND (UL)   |
| 4-3 CA  | 128375-01-000 | WIRE 4-3 ROMEX W/GROUND (CAN)  |

POWER CORDS

| NO.            | PART NUMBER   | DESCRIPTION  |
|----------------|---------------|--|
| PC-10<br>28    | 8054-01-000   | POWER CORD 10 GA, 30 AMP, 28 FT. (UL/CA)           |
| PC-10<br>35    | 8054-02-000   | POWER CORD 10 GA, 30 AMP, 35 FT. (UL/CA)           |
| PC-10<br>30-CA | 8052-01-000   | SUPERCEDED BY 8054-01-000                          |
| PC-6<br>36     | 108934-01-000 | POWER CORD 6 GA, 50 AMP, 36 FT. (UL/CA)            |
| PC-6<br>36-FX  | 108934-02-000 | POWER CORD 6 GA, 50 AMP, 36 FT. (UL/CSA) SUPERFLEX |
| PC-6<br>36-CA  | 113096-01-000 | SUPERCEDED BY 108934-02-000                        |

CIRCUIT COLOR LEGEND

| 110V CIRCUIT               | WIRE COLOR | COAXIAL CIRCUIT          |
|----------------------------|------------|--------------------------|
| A/C CIRCUIT 1              | RED        | CABLE INPUT W/O SPLITTER |
| A/C CIRCUIT 2              | GRN        | REAR TV W/O SPLITTER     |
| GENERAL RECPS 1            | BLU        | ANTENNA                  |
| GENERAL RECPS 2            | BRN        | FRONT TV                 |
| GENERAL RECPS 3            | PUR        | VCR INPUT                |
| GENERAL RECPS 4            | GRY        |                          |
| REFRIGERATOR/<br>CONVERTER | YEL        | EXT ENT CTR              |
| MICROWAVE                  | BLK        | AUX INPUT                |
| WATER HEATER               | WHT        |                          |
| WASHER/DRYER               | GLD        |                          |
| DISHWASHER                 | SIL        |                          |
|                            | ORG        | SATELLITE PLATE INPUT    |
|                            | ORG/ORG    | SATELLITE PLATE OUTPUT   |
|                            | RED/RED    | CABLE INPUT W/SPLITTER   |
|                            | GRN/GRN    | REAR TV W/SPLITTER       |
|                            | PUR/PUR    | VCR OUTPUT               |

CONDUIT

| NO.   | PART NUMBER  | DESCRIPTION                         | TEMP.  |
|-------|--------------|-------------------------------------|--------|
| C-4   | 41953-07-000 | CONDUIT-CONVOLUTE, SLIT .25" ID     | 194° F |
| C-6   | 41953-06-000 | CONDUIT-CONVOLUTE, SLIT .38" ID     | 194° F |
| C-8   | 41953-01-000 | CONDUIT-CONVOLUTE, SLIT .50" ID     | 194° F |
| C-10  | 41953-02-000 | CONDUIT-CONVOLUTE, SLIT .63" ID     | 194° F |
| C-16  | 41953-03-000 | CONDUIT-CONVOLUTE, SLIT 1.0" ID     | 194° F |
| C-24  | 41953-08-000 | CONDUIT-CONVOLUTE, SLIT 1.5" ID     | 194° F |
| C-32  | 41953-15-000 | CONDUIT-CONVOLUTE, SLIT 2.0" ID     | 194° F |
| CX-8  | 41953-09-000 | CONDUIT-CONVOLUTE, SLIT .50" ID     | 239° F |
| CX-12 | 41953-10-000 | CONDUIT-CONVOLUTE, SLIT .75" ID     | 239° F |
| CX-16 | 41953-11-000 | CONDUIT-CONVOLUTE, SLIT 1.0" ID     | 239° F |
| CX-20 | 41953-13-000 | CONDUIT-CONVOLUTE, SLIT 1.25" ID    | 239° F |
| CX-24 | 41953-14-000 | CONDUIT-CONVOLUTE, SLIT 1.50" ID    | 239° F |
| CX-32 | 41953-16-000 | CONDUIT-CONVOLUTE, SLIT 2.0" ID     | 239° F |
| CN-10 | 41953-05-000 | CONDUIT-CONVOLUTE, NOT SLIT .63" ID | 194° F |
| CN-16 | 41953-12-000 | CONDUIT-CONVOLUTE, NOT SLIT 1.0" ID | 194° F |


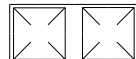
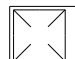
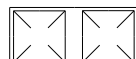
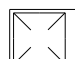

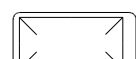
BATTERY CABLE LEGEND

| COLOR  | DESCRIPTION                 |
|--------|-----------------------------|
| PURPLE | CHASSIS BATTERY TO SOLENOID |
| BLUE   | HYDRAULIC JACKS PUMP        |
| RED    | BATTERY TO STARTER          |
| GREEN  | BATTERY TO GENERATOR        |
| YELLOW | COACH BATTERY TO SOLENOID   |



|            |                         |
|------------|-------------------------|
| FIRST USED | 96 MH'S                 |
| TITLE      | DO NOT SCALE DRAWING    |
| TITLE      | PART LISTING-ELECTRICAL |
| SHEET 2    | PART NO 121339 REV      |




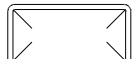

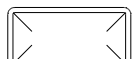

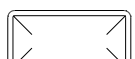
LAMP ASM-PACKAGE, PANCAKE

| NO    | PART NUMBER  | DESCRIPTION  |
|-------|--|--|
| LF1-1 | LAMP<br>98024-01-CHT<br>SCREW<br>G11-08-16U (4)<br>CONNECTOR<br>58028-01-000 (2) | LAMP ASM, FROSTED LENS,<br>1 BULB W/SWITCH<br>PROGRESSIVE DYNAMICS INC.<br>            |
| LF2-1 | LAMP<br>98024-03-CHT<br>SCREW<br>G11-08-16U (6)<br>CONNECTOR<br>58028-01-000 (2) | LAMP ASM, FROSTED LENS,<br>2 BULB W/SWITCH<br>PROGRESSIVE DYNAMICS INC.<br>            |
| LO1-1 | LAMP<br>98024-05-CHT<br>SCREW<br>G11-08-16U (4)<br>CONNECTOR<br>58028-01-000 (2) | LAMP ASM, OPTI CLEAR LENS,<br>1 BULB W/SWITCH<br>PROGRESSIVE DYNAMICS INC.<br>         |
| LO2-1 | LAMP<br>98024-06-CHT<br>SCREW<br>G11-08-16U (6)<br>CONNECTOR<br>58028-01-000 (2) | LAMP ASM, OPTI CLEAR LENS,<br>2 BULB W/SWITCH<br>PROGRESSIVE DYNAMICS INC.<br>         |
| LF1N1 | LAMP<br>98024-07-CHT<br>SCREW<br>G11-08-16U (4)<br>CONNECTOR<br>58028-01-000 (2) | LAMP ASM, FROSTED LENS,<br>1 BULB W/O SWITCH<br>PROGRESSIVE DYNAMICS INC.<br>          |
| LF2N1 | LAMP<br>98024-08-CHT<br>SCREW<br>G11-08-16U (6)<br>CONNECTOR<br>58028-01-000 (2) | LAMP ASM, FROSTED LENS,<br>2 BULB W/O SWITCH<br>PROGRESSIVE DYNAMICS INC.<br>        |
| LFSN1 | LAMP<br>98024-09-CHT<br>SCREW<br>G11-08-16U (6)<br>CONNECTOR<br>58028-01-000 (2) | LAMP ASM, SINGLE FROSTED LENS,<br>2 BULB W/O SWITCH<br>PROGRESSIVE DYNAMICS INC.<br> |

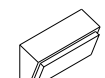


LAMP ASM-PACKAGE, HALOGEN

| NO    | PART NUMBER  | DESCRIPTION   |
|-------|--|---|
| HAL   | LAMP<br>123775-01-CHT<br>SCREW<br>(SUPPLIED)<br>CONNECTOR<br>58028-01-000 (2)                                | LAMP ASM-HALOGEN, READING<br>1 BULB<br>                     |
| HAL-S | LAMP<br>123775-01-CHT<br>SPACER<br>123775-02-CHT<br>SCREW<br>G13-06-16U (3)<br>CONNECTOR<br>58028-01-000 (2) | LAMP ASM-HALOGEN, READING<br>WITH 3/4" SPACER<br>1 BULB<br> |

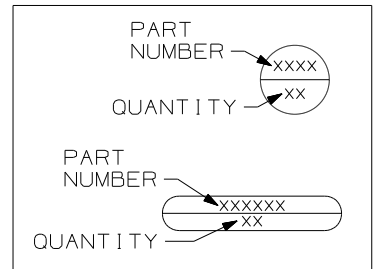
LAMP ASM-PACKAGE, PANCAKE

| NO    | PART NUMBER   | DESCRIPTION   |
|-------|---|---|
| LF1-2 | LAMP<br>137417-01-CHT<br>SCREW<br>G11-08-16U (4)<br>CONNECTOR<br>58028-01-000 (2) | LAMP ASM, FROSTED LENS,<br>1 BULB W/SWITCH<br>PROGRESSIVE DYNAMICS INC.<br>            |
| LF2-2 | LAMP<br>137417-04-CHT<br>SCREW<br>G11-08-16U (6)<br>CONNECTOR<br>58028-01-000 (2) | LAMP ASM, FROSTED LENS,<br>2 BULB W/SWITCH<br>PROGRESSIVE DYNAMICS INC.<br>            |
| LO1-2 | LAMP<br>137417-02-CHT<br>SCREW<br>G11-08-16U (4)<br>CONNECTOR<br>58028-01-000 (2) | LAMP ASM, OPTI CLEAR LENS,<br>1 BULB W/SWITCH<br>PROGRESSIVE DYNAMICS INC.<br>         |
| LO2-2 | LAMP<br>137417-05-CHT<br>SCREW<br>G11-08-16U (6)<br>CONNECTOR<br>58028-01-000 (2) | LAMP ASM, OPTI CLEAR LENS,<br>2 BULB W/SWITCH<br>PROGRESSIVE DYNAMICS INC.<br>         |
| LF1N2 | LAMP<br>137417-03-CHT<br>SCREW<br>G11-08-16U (4)<br>CONNECTOR<br>58028-01-000 (2) | LAMP ASM, FROSTED LENS,<br>1 BULB W/O SWITCH<br>PROGRESSIVE DYNAMICS INC.<br>          |
| LFSN2 | LAMP<br>137417-06-CHT<br>SCREW<br>G11-08-16U (6)<br>CONNECTOR<br>58028-01-000 (2) | LAMP ASM, SINGLE FROSTED LENS,<br>2 BULB W/O SWITCH<br>PROGRESSIVE DYNAMICS INC.<br> |

LAMP ASM-PACKAGE, PORCH

| NO       | PART NUMBER  | DESCRIPTION   |
|----------|--|---|
| LEXT-1   | LAMP<br>97917-01-CHT<br>SCREW<br>G67-10-129 (4)<br>CONNECTOR<br>58028-01-000 (2) | LAMP ASM-PORCH,<br>SURFACE MOUNT<br>BARGMAN<br>      |
| LEXT-2UL | LAMP<br>8089-01-000<br>SCREW<br>G68-06-10E (2)<br>CONNECTOR<br>58028-01-000 (2)  | LAMP ASM-PORCH,<br>RECESSED UL LIST<br>JRV PROD<br>  |
| LEXT-2CA | LAMP<br>8089-02-000<br>SCREW<br>G68-06-10E (2)<br>CONNECTOR<br>58028-01-000 (2)  | LAMP ASM-PORCH,<br>RECESSED CAN LIST<br>JRV PROD<br> |

LEGEND

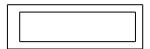
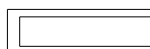

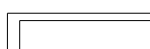
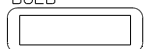

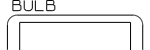
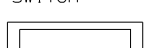






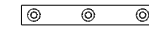
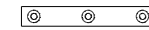
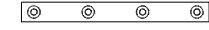
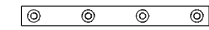
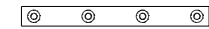
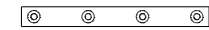
|            |                         |
|------------|-------------------------|
| FIRST USED | 96 MH'S                 |
| TITLE      | DO NOT SCALE DRAWING    |
| TITLE      | PART LISTING-ELECTRICAL |
| SHEET 3    | PART NO 121339 REV      |




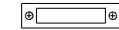
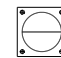


LAMP ASM-PACKAGE, FLUORESCENT

LAMP ASM-PACKAGE, MAKEUP LAMP

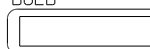

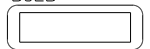
LAMP ASM-PACKAGE, OTHER

| NO    | PART NUMBER   | DESCRIPTION  |
|-------|---|--|
| FLU-1 | LAMP<br>91936-02-CHT<br>SCREW<br>G11-08-12U (4)<br>CONNECTOR<br>58028-01-000 (2)  | LAMP ASM-FLUORESCENT 12"<br>2 BULB W/SWITCH<br>THIN-LITE<br>  |
| FLU-2 | LAMP<br>91936-01-CHT<br>SCREW<br>G11-08-12U (4)<br>CONNECTOR<br>58028-01-000 (2)  | LAMP ASM-FLUORESCENT 18"<br>2 BULB W/SWITCH<br>THIN-LITE<br>  |
| FLU-3 | LAMP<br>127327-01-CHT<br>SCREW<br>G11-08-12U (2)<br>CONNECTOR<br>58028-01-000 (2) | LAMP ASM-FLUORESCENT 18"<br>1-12" BULB W/SWITCH<br>THIN-LITE<br>  |
| FLU-4 | LAMP<br>130338-01-CHT<br>SCREW<br>G11-08-12U (4)<br>CONNECTOR<br>58028-01-000 (2) | LAMP ASM-FLUORESCENT 18"<br>2 BULB SURFACE MOUNT<br>W/SWITCH THIN-LITE<br>                              |
| FLU-5 | LAMP<br>153464-02-CHT<br>SCREW<br>G11-08-12U (4)<br>CONNECTOR<br>58028-01-000 (2) | LAMP ASM-FLUORESCENT 12"<br>2 BULB W/SWITCH<br>COOL WHITE BULB<br>THIN-LITE<br><br>CUTOUT-122 X 336     |
| FLU-6 | LAMP<br>130338-02-CHT<br>SCREW<br>G11-08-12U (4)<br>CONNECTOR<br>58028-01-000 (2) | LAMP ASM-FLUORESCENT 18"<br>2 BULB SURFACE MOUNT<br>WARM WHITE BULB<br>W/SWITCH THIN-LITE<br>           |
| FLU-7 | LAMP<br>153464-05-CHT<br>SCREW<br>G11-08-12U (4)<br>CONNECTOR<br>58028-01-000 (2) | LAMP ASM-FLUORESCENT 12"<br>2 BULB W/SWITCH<br>WARM WHITE BULB<br>THIN-LITE<br><br>CUTOUT-122 X 336     |
| FLUN1 | LAMP<br>91936-04-CHT<br>SCREW<br>G11-08-12U (4)<br>CONNECTOR<br>58028-01-000 (2)  | LAMP ASM-FLUORESCENT 12"<br>2 BULB W/O SWITCH<br>THIN-LITE<br>  |
| FLUN2 | LAMP<br>91936-03-CHT<br>SCREW<br>G11-08-12U (4)<br>CONNECTOR<br>58028-01-000 (2)  | LAMP ASM-FLUORESCENT 18"<br>2 BULB W/O SWITCH<br>THIN-LITE<br>  |
| FLUN3 | LAMP<br>153464-01-CHT<br>SCREW<br>G11-08-12U (4)<br>CONNECTOR<br>58028-01-000 (2) | LAMP ASM-FLUORESCENT 12"<br>2 BULB W/O SWITCH<br>COOL WHITE BULB<br>THIN-LITE<br><br>CUTOUT-122 X 336 |

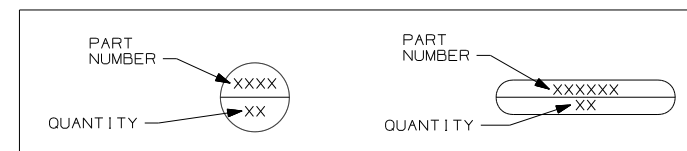
| NO     | PART NUMBER  | DESCRIPTION   |
|--------|--|---|
| LMU3-1 | LAMP<br>110235-01-CHT<br>SCREW W/SPACER<br>(SUPPLIED)<br>CONNECTOR<br>58028-01-000 (2)                         | LAMP ASM-MAKEUP<br>(W/O MIRROR)<br>3 BULB (SUPPLIED)<br>PROGRESSIVE DYNAMICS<br> |
| LMM3-2 | LAMP<br>123774-03-CHT<br>SCREW<br>(SUPPLIED)<br>BULB<br>123918-01-000 (3)<br>CONNECTOR<br>58028-01-000 (2)     | LAMP ASM-MAKEUP<br>(W/MIRROR)<br>3 BULB<br>GUSTOFSON<br>                         |
| LMU3-2 | LAMP<br>138116-01-CHT<br>SCREW<br>(SUPPLIED)<br>BULB<br>123918-01-000 (3)<br>CONNECTOR<br>58028-01-000 (2)     | LAMP ASM-MAKEUP<br>(W/O MIRROR)<br>3 BULB<br>GUSTOFSON<br>                       |
| LMU3-3 | LAMP<br>162446-01-CHT<br>SCREW<br>(SUPPLIED)<br>BULB<br>123918-01-000 (3)<br>CONNECTOR<br>58028-01-000 (2)     | LAMP ASM-MAKEUP<br>(W/O MIRROR)<br>3 BULB<br>GUSTOFSON<br>                       |
| LMU4-1 | LAMP<br>110235-02-CHT<br>SCREW<br>G11-08-16U (2)<br>CONNECTOR<br>58028-01-000 (2)                              | LAMP ASM-MAKEUP<br>(W/O MIRROR)<br>4 BULB<br>PROGRESSIVE DYNAMICS<br>            |
| LMU4-2 | LAMP<br>138116-02-CHT<br>SCREW<br>(SUPPLIED)<br>BULB<br>123918-01-000 (4)<br>CONNECTOR<br>58028-01-000 (2)     | LAMP ASM-MAKEUP<br>(W/O MIRROR)<br>4 BULB<br>GUSTOFSON<br>                       |
| LMU4-3 | LAMP<br>162446-02-CHT<br>SCREW<br>(SUPPLIED)<br>BULB<br>123918-01-000 (4)<br>CONNECTOR<br>58028-01-000 (2)     | LAMP ASM-MAKEUP<br>(W/O MIRROR)<br>4 BULB<br>GUSTOFSON<br>                     |
| LMM4-2 | LAMP<br>123774-01-CHT<br>SCREW<br>G11-08-16U (2)<br>BULB<br>123918-01-000 (4)<br>CONNECTOR<br>58028-01-000 (2) | LAMP ASM-MAKEUP<br>(W/MIRROR)<br>4 BULB<br>GUSTOFSON<br>                       |

| NO     | PART NUMBER  | DESCRIPTION  |
|--------|--|--|
| LSH-1  | LAMP<br>121935-01-CHT<br>SCREW<br>G11-08-16U (4)<br>CONNECTOR<br>58028-01-000 (2)  | LAMP ASM-SHOWER<br>PROGRESSIVE DYNAMICS INC.<br>    |
| LSH-2  | LAMP<br>164039-01-CHT<br>SCREW<br>G11-08-16U (3)<br>CONNECTOR<br>58028-01-000 (2)  | LIGHT-DOME, SHOWER<br>                              |
| LSH-3  | LAMP<br>164040-01-CHT<br>SCREW<br>G13-07-12U (3)<br>CONNECTOR<br>58028-01-000 (2)  | LIGHT-DOME, SHOWER GLASS<br>                        |
| LCR-1  | LAMP<br>61424-01-000<br>SCREW<br>G11-08-12U (4)<br>CONNECTOR<br>58028-01-000 (2)   | LAMP ASM-COURTESY, AISLE<br>RAMCO (RECTANGULAR)<br> |
| LCS-1  | LAMP<br>108354-01-CHT<br>SCREW<br>G11-08-12U (4)<br>CONNECTOR<br>58028-01-000 (2)  | LAMP ASM-COURTESY, AISLE<br>ITC MARINE (SQUARE)<br> |
| READ-1 | LIGHT-READING<br>132427-01-CHT<br>SCREW<br>SUPPLIED W/ LIGHT<br>CLIP-U<br>141395-02-CHT (2)<br>CONNECTOR<br>58028-01-000 (2) | LIGHT-READING, SWIVEL, ROUND<br>1 BULB<br>          |
| READ-2 | LIGHT-READING<br>128786-02-CHT<br>SCREW<br>G11-08-16J (2)<br>BULB<br>123917-01-000<br>CONNECTOR<br>58028-01-000 (2)          | LIGHT, READING, SWIVEL<br>                          |

LAMP ASM-PACKAGE, FLUORESCENT

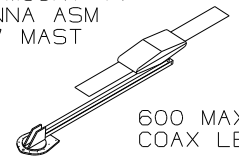
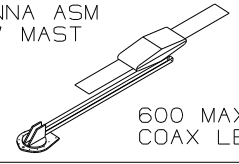
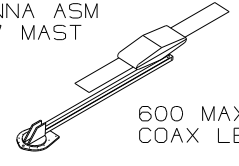
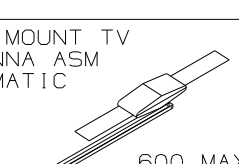
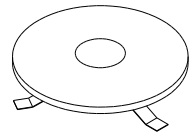
| NO    | PART NUMBER   | DESCRIPTION  |
|-------|---|--|
| FLUN4 | LAMP<br>153464-03-CHT<br>SCREW<br>G11-08-12U (6)<br>CONNECTOR<br>58028-01-000 (2) | LAMP ASM-FLUORESCENT 18"<br>2 BULB W/O SWITCH<br>COOL WHITE BULB<br>THIN-LITE<br><br>CUTOUT-122 X 480 |
| FLUN5 | LAMP<br>153464-06-CHT<br>SCREW<br>G11-08-12U (6)<br>CONNECTOR<br>58028-01-000 (2) | LAMP ASM-FLUORESCENT 18"<br>2 BULB W/O SWITCH<br>WARM WHITE BULB<br>THIN-LITE<br><br>CUTOUT-122 X 480 |
| FLUN6 | LAMP<br>153464-04-CHT<br>SCREW<br>G11-08-12U (6)<br>CONNECTOR<br>58028-01-000 (2) | LAMP ASM-FLUORESCENT 12"<br>2 BULB W/O SWITCH<br>WARM WHITE BULB<br>THIN-LITE<br><br>CUTOUT-122 X 336 |

LEGEND

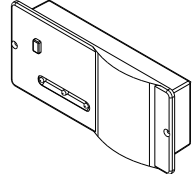


|                                   |                    |
|-----------------------------------|--------------------|
| FIRST USED                        | 96 MH'S            |
| DO NOT SCALE DRAWING              |                    |
| TITLE:<br>PART LISTING-ELECTRICAL |                    |
| SHEET 4                           | PART NO 121339 REV |

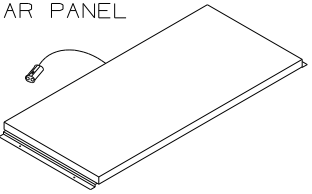
ANTENNA ASM-PACKAGE

| NO     | PART NUMBER   | DESCRIPTION  |
|--------|---|--|
| ANT-1  | ANTENNA<br>76319-24-000<br>HARDWARE-INTERIOR<br>76319-25-000<br>BUMPER<br>69726-02-000 (2)<br>CLIP<br>80734-02-000  | ROOF MOUNT TV<br>ANTENNA ASM<br>25.5" MAST<br><br>600 MAX<br>COAX LENGTH                  |
| ANT-2  | ANTENNA<br>76319-23-000<br>HARDWARE-INTERIOR<br>76319-25-000<br>BUMPER<br>69726-02-000 (2)<br>ADAPTER<br>SUPPLIED W/ANTENNA   | ROOF MOUNT TV<br>ANTENNA ASM<br>44.5" MAST<br><br>600 MAX<br>COAX LENGTH                  |
| ANT-2W | ANTENNA<br>76319-23-000<br>HARDWARE-INTERIOR<br>76319-25-000<br>BUMPER<br>69726-02-000 (2)<br>ADAPTER<br>SUPPLIED W/ANTENNA<br>WEDGE<br>76319-26-000                                  | ROOF MOUNT TV<br>ANTENNA ASM<br>44.5" MAST<br><br>600 MAX<br>COAX LENGTH                  |
| ANTA-1 | ANTENNA<br>158270-01-CHT<br>BUMPER<br>69726-02-000 (2)<br>ADAPTER<br>SUPPLIED W/ANTENNA   | ROOF MOUNT TV<br>ANTENNA ASM<br>AUTOMATIC<br><br>600 MAX<br>COAX LENGTH                   |
| ANT-3  | ANTENNA-TV ROOF<br>MNT,ROUND<br>132935-01-000<br>PLATE-ROOF,<br>CABLE ENTRY<br>146488-01-000<br>SCREW<br>G67-10-129 (10)<br>CABLE ASM-COAX<br>87105-01-006<br>ADAPTER<br>82134-01-000 | ROOF MOUNT OMNI-<br>DIRECTIONAL ANTENNA<br>MOUNTING SCREWS SUPPLIED<br>WITH ANTENNA<br> |

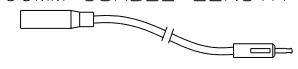
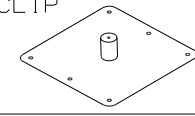

SENSORS

| NO   | PART NUMBER   | DESCRIPTION  |
|------|---|--|
| LPGD | LP GAS DETECTOR<br>150138-01-CHT<br>SCREW<br>G68-06-10U (2) | DETECTOR-LP GAS<br> |

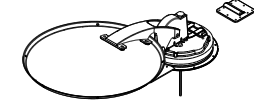
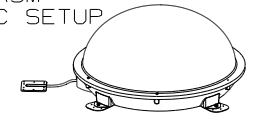
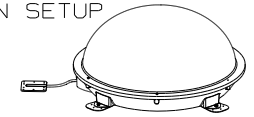
PANELS

| NO    | PART NUMBER   | DESCRIPTION  |
|-------|---|--|
| SOLAR | PANEL-SOLAR 10 WATT<br>151647-01-000<br>SCREW<br>G11-08-12U (4) | SOLAR PANEL<br> |

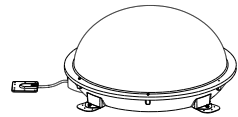
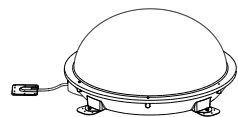
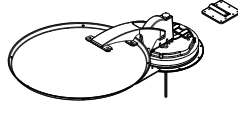
ANTENNA ASM-PACKAGE

|          |   |  |
|----------|---|--|
| ANTEXT-1 | CABLE ASM-EXTENS<br>77069-02-000  | RADIO ANTENNA<br>CABLE EXTENSION<br>2400MM USABLE LENGTH<br>  |
| ANTKIT-1 | ADAPTER-PLATE<br>76319-06-000<br>SCREW<br>G11-08-08T (6)<br>CLIP-WIRE<br>80734-02-000<br>SCREW<br>G11-08-08T              | PLATE ASM-ADAPTERS CABLE<br>ROOF MOUNTING PLATE<br>W/ CABLE-CABLE ADAPTER,<br>FITTINGS, AND CABLE<br>RETAINING CLIP<br> |
| ANT-R    | ANTENNA-RADIO<br>90944-01-000<br>EXTENDER-SHAFT<br>ANTENNA<br>109889-04-000<br>BRACKET-ANTENNA<br>GROUND<br>147741-01-CHT | ROOF MOUNT<br>RADIO<br>ANTENNA<br>  |
| ANTEXT-2 | CABLE ASM-EXTENS<br>77069-03-000  | RADIO ANTENNA<br>CABLE EXTENSION<br>6600 MM USABLE<br>LENGTH   |

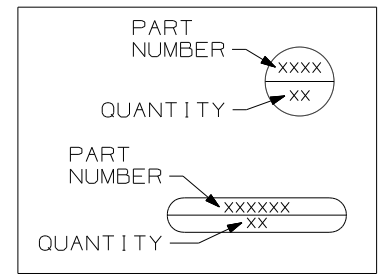
SATELLITE DISH INSTL

| NO   | PART NUMBER  | DESCRIPTION   |
|------|--|---|
| DM-1 | SATELLITE DISH<br>137135-02-000<br>SCREW<br>G67-10-12B (8)<br>PLATE & BRACKET<br>(SUPPLIED)<br>SCREW<br>G67-10-12B (10)  | SATELLITE DISH<br>ANTENNA ASM<br>MANUAL SETUP<br>    |
| DA-1 | SATELLITE DISH<br>163598-01-CHT<br>PLATE-ROOF,CABLE<br>ENTRY QUAD<br>146488-03-000<br>SCREW<br>G67-10-12U (8)<br>(FOR PLATE)<br>SCREW<br>G39-10-12U (12)<br>(FOR SATELLITE DISH) | SATELLITE DISH<br>ANTENNA ASM<br>AUTOMATIC SETUP<br> |
| D1-1 | SATELLITE DISH<br>154474-04-CHT<br>SCREW<br>G39-10-12B (12)<br>PLATE<br>146488-01-000<br>SCREW<br>G67-10-12B (10)  | SATELLITE DISH<br>ANTENNA ASM<br>IN MOTION SETUP<br> |

SATELLITE DISH INSTL

| NO   | PART NUMBER  | DESCRIPTION   |
|------|--|---|
| DA-2 | SATELLITE DISH<br>163598-01-CHT<br>PLATE-ROOF,CABLE<br>ENTRY QUAD<br>146488-03-000<br>CABLE ASM-COAX 9"<br>163598-04-000<br>ADAPTOR-CABLE TO CABLE<br>82134-01-000<br>SCREW<br>G67-10-12U (8)<br>(FOR PLATE)<br>SCREW<br>G39-10-12U (12)<br>(FOR SATELLITE DISH) | SATELLITE DISH<br>ANTENNA ASM<br>AUTOMATIC SETUP<br> |
| D1-2 | SATELLITE DISH<br>154474-04-CHT<br>PLATE-ROOF,CABLE<br>ENTRY QUAD<br>146488-03-000<br>CABLE ASM-COAX 9"<br>163598-04-000<br>ADAPTOR-CABLE TO CABLE<br>82134-01-000<br>SCREW<br>G67-10-12U (8)<br>(FOR PLATE)<br>SCREW<br>G39-10-12U (12)<br>(FOR SATELLITE DISH) | SATELLITE DISH<br>ANTENNA ASM<br>AUTOMATIC SETUP<br> |
| DM-2 | SATELLITE DISH<br>137135-05-000<br>PLATE-ROOF,ENTRY<br>(SUPPLIED WITH<br>SATELLITE DISH)<br>SCREW<br>G67-10-12U (8)<br>(FOR ROOF PLATE)<br>SCREW<br>G67-10-12U (10)<br>(FOR SATELLITE DISH)  | SATELLITE DISH<br>ANTENNA ASM<br>MANUAL SETUP<br>  |

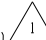
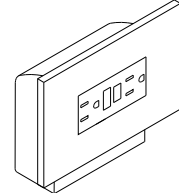

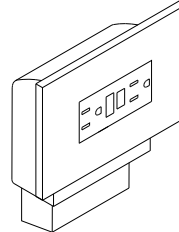
LEGEND

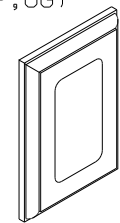
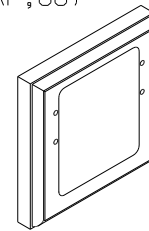
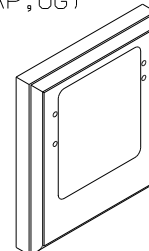
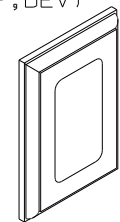
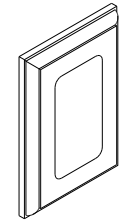


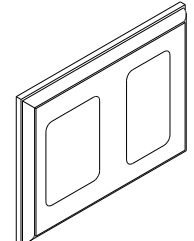
|            |                         |
|------------|-------------------------|
| FIRST USED | 96 MH'S                 |
| TITLE      | DO NOT SCALE DRAWING    |
| TITLE      | PART LISTING-ELECTRICAL |
| SHEET 5    | PART NO 121339 REV      |

RECEPTACLE PACKAGE - GF I


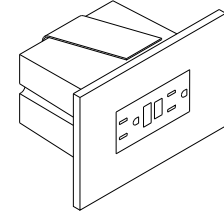
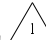
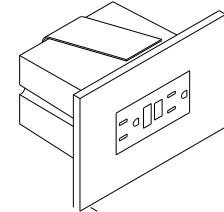
SPACERS

| NO         | PART NUMBER   | DESCRIPTION   |
|------------|---|---|
| GF1<br>US  | RECEPTACLE<br>163319-01-CHT<br>BOX<br>91910-02-000<br>WIRE-BONDING<br>133678-03-000<br>SCREW<br>G13-07-12B (4)<br>CONNECTOR<br>8313-01-000<br>TUBING-VINYL<br>8041-02-000 (300MM)  | GF1 RECEPTACLE WITH<br>COVER AND BOX FOR<br>US APPLICATION<br>     |
| GF1<br>CAN | RECEPTACLE<br>163319-01-CHT<br>BOX<br>91910-01-000<br>WIRE-BONDING<br>133678-03-000<br>SCREW<br>G13-07-12B (4)<br>CONNECTOR<br>8313-01-000<br>TUBING-VINYL<br>8041-02-000 (300MM)  | GF1 RECEPTACLE WITH<br>COVER AND BOX FOR<br>CANADA APPLICATION<br> |

| NO    | PART NUMBER             | DESCRIPTION   |
|-------|-------------------------|---|
| SP-01 | SPACER<br>102568-01-XXX | STANDARD 110V RECEPTACLE SPACER<br>(WOOD,VYL RAP,OG)<br>                           |
| SP-02 | SPACER<br>102568-02-XXX | WOOD SPACER FOR CEILING<br>MOUNTED A/C PREP BOX (US)<br>(WOOD,VYL RAP,OG)<br>      |
| SP-03 | SPACER<br>102568-03-XXX | WOOD SPACER FOR CEILING<br>MOUNTED A/C PREP BOX (CANADA)<br>(WOOD,VYL RAP,OG)<br> |
| SP-04 | SPACER<br>133713-01-CHT | STANDARD 110V RECEPTACLE SPACER<br>(WOOD,VYL RAP,BEV)<br>                        |
| SP-05 | SPACER<br>133713-20-XXX | STANDARD 110V RECEPTACLE SPACER<br>(WOOD,BEV)<br>                                |

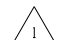
|       |                         |   |
|-------|-------------------------|---|
| SP-21 | SPACER<br>126052-01-XXX | WOOD SPACER FOR 1 - 110V<br>RECEPTACLE AND 1 - REAR TV<br>(12V) JACK<br>(WOOD,BEV)<br> |
|-------|-------------------------|---|

RECEPTACLE PACKAGE - GF I

| NO           | PART NUMBER  | DESCRIPTION   |
|--------------|--|---|
| GF1-L<br>US  | RECEPTACLE<br>163319-01-CHT<br>BOX<br>133070-01-000<br>WIRE-BONDING<br>133678-03-000<br>SCREW<br>G13-07-12B (4)<br>CONNECTOR<br>8313-01-000<br>TUBING-VINYL<br>8041-02-000 (300MM)  | GF1 RECEPTACLE WITH<br>COVER AND BOX FOR<br>US APPLICATION<br>     |
| GF1-L<br>CAN | RECEPTACLE<br>163319-01-CHT<br>BOX<br>133070-02-000<br>WIRE-BONDING<br>133678-03-000<br>SCREW<br>G13-07-12B (4)<br>CONNECTOR<br>8313-01-000<br>TUBING-VINYL<br>8041-02-000 (300MM)  | GF1 RECEPTACLE WITH<br>COVER AND BOX FOR<br>CANADA APPLICATION<br> |

LEGEND

| MISC.                               | SPACER             |
|-------------------------------------|--------------------|
| PART NUMBER → XXXX<br>LISTING → XXX | XXXX → PART NUMBER |

 APPLY TUBING TO BARE GROUND WIRES.  
NOTES:

|            |                         |
|------------|-------------------------|
| FIRST USED | 96 MH'S                 |
| TITLE      | DO NOT SCALE DRAWING    |
| SHEET 6    | PART LISTING-ELECTRICAL |
| PART NO    | 121339                  |
| REV        |                         |

PREP - A/C, RECESSED (W/OUT FACTORY A/C)

| NO              | PART NUMBER  | DESCRIPTION  |
|-----------------|--|--|
| PREP<br>A/C-US  | BOX<br>91910-02-000<br>COVER<br>84099-02-CHT<br>LABEL<br>91243-01-000<br>SCREW<br>G13-07-12B (4)<br>CONNECTOR<br>8313-01-000 (3) | BOX AND EQUIPMENT USED FOR A/C<br>PREP (W/OUT FACTORY A/C). US<br>APPLICATION (RECESSED IN ROOF)     |
| PREP<br>A/C-CAN | BOX<br>91910-01-000<br>COVER<br>84099-02-CHT<br>LABEL<br>91243-01-000<br>SCREW<br>G13-07-12B (4)<br>CONNECTOR<br>8313-01-000 (3) | BOX AND EQUIPMENT USED FOR A/C<br>PREP (W/OUT FACTORY A/C). CANADA<br>APPLICATION (RECESSED IN ROOF) |

CONNECTION BOX, GENERATOR SERVICE FEED

| NO             | PART NUMBER   | DESCRIPTION  |
|----------------|---|--|
| J-GEN<br>30    | BOX<br>8289-01-000<br>COVER<br>8294-01-000<br>SCREW<br>G67-10-10B (2)                               | BOX AND EQUIPMENT USED FOR<br>CONNECTING THE GENERATOR LEADS<br>TO THE SERVICE ENTRANCE WIRES<br>(US & CA APPLICATION) |
| J-GEN<br>30-US | WIRE ASM-GROUND<br>133678-02-000<br>WIRE NUT-GREY<br>8314-01-000 (3)<br>SCREW-GRND<br>103291-01-000 |  |
| J-GEN<br>30-CA | CONNECTOR-WIRE<br>8356-01-000   |  |

PREP - A/C, SURFACE (W/OUT FACTORY A/C)

| NO           | PART NUMBER   | DESCRIPTION   |
|--------------|---|---|
| PREP<br>SURF | BOX<br>93603-01-000<br>COVER<br>53337-01-000<br>LABEL<br>91243-01-000<br>SCREW-GRND<br>103291-01-000<br>WIRE-BONDING<br>8019-01-000<br>SCREW<br>G11-08-12B (2)<br>TERMINAL<br>8328-01-000<br>CONNECTOR<br>8313-01-000 (2)<br>CONNECTOR<br>8311-01-000 | SURFACE MOUNT, US AND CANADA,<br>BOX AND EQUIPMENT FOR A/C PREP<br>(W/OUT FACTORY A/C). TYPICALLY<br>LOCATED ON OVERHEAD CABINET<br>INNER WALL OR ON CEILING. |

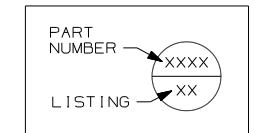
CONNECTION BOX-POWER CORD

| NO            | PART NUMBER   | DESCRIPTION   |
|---------------|---|---|
| J-PC<br>30    | BOX<br>8289-01-000<br>COVER<br>8294-01-000<br>SCREW<br>G67-10-10B (2)                           | CONNECTION BOX IN POWER CORD<br>COMPT FOR POWER CORD<br>(US & CA APPLICATION) |
| J-PC<br>30-US | WIRE ASM-GROUND<br>133678-02-000<br>CONNECTOR<br>8314-01-000 (3)<br>SCREW-GRND<br>103291-01-000 |   |
| J-PC<br>30-CA | CONNECTOR<br>8356-02-000<br>CONNECTOR (PC)<br>8355-01-000                                       |   |

CONNECTION BOX-GENERATOR RECEPTACLE

| NO             | PART NUMBER  | DESCRIPTION  |
|----------------|--|--|
| J-RCP<br>30    | BOX<br>8289-01-000<br>RECEPTACLE<br>24924-02-000<br>COVER<br>69238-01-000<br>SCREW<br>G67-10-10B (2) | CONNECTION BOX IN POWER CORD<br>COMPT FOR THE GENERATOR<br>RECEPTACLE<br>(US & CA APPLICATION) |
| J-RCP<br>30-US | WIRE ASM-GROUND<br>133678-02-000<br>133678-04-000<br>SCREW-GRND<br>103291-01-000                     |  |
| J-RCP<br>30-CA | CONNECTOR<br>8314-01-000<br>TUBING-VINYL<br>8041-02-000 (1)<br>(150MM)                               |  |

LEGEND



NOTES:  
1 APPLY TUBING TO BARE GROUND WIRES.

|            |                         |
|------------|-------------------------|
| FIRST USED | 96 MH'S                 |
| TITLE      | DO NOT SCALE DRAWING    |
|            | PART LISTING-ELECTRICAL |
| SHEET 7    | PART NO 121339 REV      |

| WIRE IDENTIFICATION CHART |   |  |
|---------------------------|---|--|
| CODE/COLOR                | FROM:   | TO:  |
| A<br>14 YEL               | GALLEY CEILING<br>LAMP SWITCH                       | GALLEY CEILING LAMP                              |
| B<br>12 YEL               | OVERCURRENT PROTECTION<br>(30A BREAKER TYPICAL)     | POWER PASSENGER SEAT<br>("BUDDY SEAT")           |
| C<br>12 WHT               | POWER PASSENGER SEAT                                | GROUND   |
| D<br>14 YEL               | SHOWER OVHD LAMP SWITCH<br>SEE WIRE PF, START OF 97 | SHOWER OVHD LAMP                                 |
| E<br>095038-01-           | PHONE INPUT JACK                                    | REAR PHONE JACK                                  |
| F<br>095038-01-           | PHONE INPUT JACK                                    | EXTERIOR PHONE JACK                              |
| G<br>12/ 10 YEL           | OVERCURRENT PROTECTION<br>(30A BREAKER TYPICAL)     | HIGH SPEED HEATER FAN<br>(USE 10 IF OVER 6' RUN) |
| H<br>095038-01-           | PHONE INPUT JACK                                    | FRONT PHONE JACK                                 |
| J<br>6 BLK                | OVERCURRENT PROTECTION<br>(45 OR 55A BREAKER TYP)   | COACH 12V PANEL/<br>CONVERTER BATTERY CHARGE     |
| K<br>6 BLK                | OVERCURRENT PROTECTION<br>(45 OR 55A BREAKER TYP)   | COACH 12V PANEL                                  |
| L<br>6 GRN                | CONVERTER 45 OR 55 AMP                              | GROUND   |
| M<br>6 BLK                | OVERCURRENT PROTECTION<br>(45 OR 50A BREAKER )      | CONVERTER BATTERY CHARGE                         |
| N<br>10 WHT               | REFRIGERATOR  | GROUND   |
| P<br>10YEL(BLK)           | OVERCURRENT PROTECTION<br>(20A FUSE TYPICAL)        | REFRIGERATOR<br>(3 WAY)                          |
| R<br>8 GRN                | REFRIGERATOR CHASSIS                                | GROUND   |
| S<br>8 OR 6 GRN           | GROUND BAR<br>(LEFT SIDE)                           | CHASSIS GROUND                                   |
| T<br>8 OR 6 GRN           | GROUND BAR<br>(RIGHT SIDE)                          | CHASSIS GROUND                                   |
| U<br>6 GRN                | CONVERTER CHASSIS                                   | GROUND   |
| W<br>8 GRN                | -<br>GROUND STUD                                    | -<br>GROUND STUD                                 |

| WIRE IDENTIFICATION CHART |   |  |
|---------------------------|---|--|
| CODE/COLOR                | FROM:   | TO:  |
| X<br>14 YEL               | -<br>CHASSIS BRAKE LAMP CIRCUIT                   | -<br>CENTER MOUNT BRAKE LAMP                               |
| Y<br>16 YEL               | VOLUME CONTROL                                    | RADIO/TV SPEAKER   |
| Z<br>6 BLK                | OVERCURRENT PROTECTION<br>(45 OR 55A BREAKER TYP) | COACH 12V PANEL  |
| AA<br>16 WHT              | SERVICE ENGINE<br>SOON LAMP                       | VEHICLE SERVICE ENGINE<br>SOON LAMP CIRCUIT                |
| AB<br>16 WHT              | WATER TANK<br>LEVEL SENSORS                       | GROUND   |
| AC<br>16 WHT              | MAIN HOLDING TANK SENSORS<br>(BLACK WATER)        | GROUND   |
| AD<br>16 WHT              | AUXILIARY HOLDING TANK #1<br>(GRAY WATER)         | GROUND   |
| AE<br>16 WHT              | AUXILIARY HOLDING TANK #2<br>(GRAY WATER)         | GROUND   |
| AF<br>12 YEL              | WATER PUMP SWITCH #1                              | MONITOR PANEL WATER<br>PUMP SWITCH                         |
| AG<br>12 YEL              | WATER PUMP SWITCH #1                              | MONITOR PANEL WATER<br>PUMP SWITCH                         |
| AH<br>14 YEL              | OVERCURRENT PROTECTION<br>(10A FUSE TYPICAL)      | BRAKE LAMP SWITCH WARNING LAMP<br>(IGNITION RUN/START FED) |
| AJ<br>12 WHT              | CHASSIS GROUND                                    | BODY GROUND  |
| AK<br>12 WHT              | CHASSIS GROUND                                    | BODY GROUND  |
| AL<br>12 YEL              | HEATER CONTROL<br>(LOW SPEED)                     | BLOWER MOTOR<br>(LOW SPEED)                                |
| AM<br>12YEL(WHT)          | HEATER CONTROL<br>(MEDIUM/LOW SPEED)              | BLOWER MOTOR<br>(MEDIUM/LOW SPEED)                         |
| AN<br>12 YEL              | HEATER CONTROL<br>(MEDIUM/HIGH SPEED)             | BLOWER MOTOR<br>(MEDIUM/HIGH SPEED)                        |
| AP<br>14 YEL              | IGNITION SWITCH<br>ACCESSORY FEED                 | OVERCURRENT PROTECTION<br>(15A FUSE TYPICAL)               |
| AR<br>14 WHT              | HORN, FOG LAMPS                                   | GROUND   |
| AS<br>18 WHT              | DASH RADIO  | RIGHT FRONT SPEAKER<br>(NEGATIVE)                          |

| WIRE IDENTIFICATION CHART |   |   |
|---------------------------|---|---|
| CODE/COLOR                | FROM:   | TO:   |
| AT<br>18 WHT              | DASH RADIO                                      | LEFT FRONT SPEAKER<br>(NEGATIVE)                    |
| AU<br>16 YEL              | OVERCURRENT PROTECTION<br>(15A BREAKER TYPICAL) | FRONT CARGO LAMP SWITCH<br>(IGNITION ACCESSORY FED) |
| AW<br>16 YEL              | FRONT CARGO<br>LAMP SWITCH                      | REAR CARGO<br>LAMP SWITCH                           |
| AX<br>16 YEL              | FRONT CARGO<br>LAMP SWITCH                      | REAR CARGO<br>LAMP SWITCH                           |
| AY<br>16 YEL              | REAR CARGO<br>LAMP SWITCH                       | CARGO LAMPS   |
| BA<br>14 WHT              | WINDSHIELD WIPER MOTOR                          | GROUND  |
| BB<br>16 YEL              | OVERCURRENT PROTECTION<br>(6A BREAKER TYPICAL)  | INSTRUMENT PANEL GAUGES<br>(IGNITION ACCESSORY FED) |
| BC<br>14 WHT              | INDICATOR LAMPS                                 | GROUND  |
| BD<br>14 YEL              | OVERCURRENT PROTECTION<br>(10A FUSE TYPICAL)    | BRAKE LAMP SWITCH                                   |
| BE<br>12 WHT              | BLOWER MOTOR                                    | GROUND  |
| BF<br>14 WHT              | WASHER BOTTLE<br>PUMP/HORN                      | GROUND  |
| BG<br>14 YEL              | FUEL SENDER                                     | FUEL GAUGE  |
| BH<br>14 YEL              | RUN ONLY POWER RELAY                            | ENGINE WIRING                                       |
| BJ<br>16 YEL              | OVERCURRENT PROTECTION<br>(10A FUSE TYPICAL)    | ENGINE WIRING<br>(IGNITION RUN/START FED)           |
| BK<br>14 YEL              | OVERCURRENT PROTECTION<br>(10A FUSE TYPICAL)    | HORN RELAY FEED                                     |
| BL<br>16 WHT              | CIGAR LIGHTER                                   | GROUND  |
| BM<br>16 YEL              | CHASSIS BATTERY POWER                           | CIGAR LIGHTER                                       |
| BN<br>16 YEL              | ACCESSORY POWER                                 | SPOTLAMP  |
| BP<br>14 WHT              | POWER MIRROR                                    | GROUND  |

| WIRE IDENTIFICATION CHART |   |   |
|---------------------------|---|---|
| CODE/COLOR                | FROM:   | TO:   |
| BR<br>14 YEL              | POWER MIRROR<br>(RIGHT SIDE)                            | POWER MIRROR<br>CONTROL SWITCH                                  |
| BS<br>14 YEL              | POWER MIRROR<br>HEAT SWITCH                             | POWER MIRRORS   |
| BT<br>14 YEL              | POWER MIRROR<br>(LEFT SIDE)                             | POWER MIRROR<br>CONTROL SWITCH                                  |
| BU<br>14 YEL              | RUN ONLY POWER  | POWER MIRROR HEAT/<br>CONTROL SWITCHES                          |
| BW<br>12 YEL              | IGNITION SWITCH   | ACCESSORY CIRCUIT FEED  |
| BX<br>12YEL(ORN)          | IGNITION SWITCH<br>RUN ONLY SOURCE                      | GENERAL(TURN, BACK UP,DASH<br>IGNITION CIRCUIT,ETC)             |
| BY<br>12YEL/8BLK          | OVERCURRENT PROTECTION<br>(16GA FUSELINK)(8GA PASSTHRU) | CHASSIS BATTERY SOURCE(AUTO AC<br>BLOWER,POWER DRIVER SEAT,ETC) |
| CA<br>12 YEL              | OVERCURRENT PROTECTION<br>(16GA FUSELINK TYPICAL)       | CHASSIS BATTERY SOURCE  |
| CB<br>12 YEL              | IGNITION SWITCH<br>START SOURCE                         | START CIRCUIT SOURCE  |
| CC<br>16 YEL              | ALTERNATOR  | ALTERNATOR WARNING LAMP   |
| CD<br>16 YEL              | OIL PRESSURE<br>WARNING SENDER                          | OIL PRESSURE<br>WARNING LAMP                                    |
| CE<br>16 YEL              | WATER TEMPERATURE<br>WARNING SENDER                     | WATER TEMPERATURE<br>WARNING LAMP                               |
| CF<br>14 YEL              | REAR TV JACK  | POWER FEED SWITCH   |
| CG<br>14 YEL              | CLUTCH/NEUTRAL SWITCH                                   | START ISOLATION RELAY   |
| CH<br>14 YEL              | START RELAY   | ENGINE WIRING   |
| CJ<br>14 YEL              | WINDSHIELD WIPER/WASHER<br>CONTROL SWITCH               | WINDSHIELD WASHER PUMP  |
| CK<br>16 YEL              | TELEVISION  | SPEAKER<br>(POSITIVE)   |
| CL<br>16 WHT              | TELEVISION  | SPEAKER<br>(NEGATIVE)   |
| CM<br>10 YEL              | OVERCURRENT PROTECTION<br>(15A BREAKER TYPICAL)         | INVERTER FEED   |

| WIRE IDENTIFICATION CHART |   |                                    |
|---------------------------|---|------------------------------------|
| CODE/COLOR                | FROM:   | TO:                                |
| CN<br>10 WHT              | INVERTER  | GROUND                             |
| CP<br>12 WHT              | INVERTER CHASSIS                                      | GROUND                             |
| CR<br>16 WHT              | VEHICLE CHECK ENGINE LAMP CIRCUIT                     | CHECK ENGINE LAMP                  |
| CS<br>16 WHT              | REMOTE THERMOSTAT (RC TERM/ORG EXPORT AIR)            | GROUND                             |
| CT<br>16 YEL              | DAYTIME RUNNING LAMP MODULE OUTPUT(PIN 30)            | LOW BEAM HEADLAMP CIRCUIT          |
| CU<br>16 YEL              | DAYTIME RUNNING LAMP MODULE ENABLE(PIN 85)            | RUN/START CIRCUIT                  |
| CW<br>14 YEL              | DAYTIME RUNNING LAMP MODULE POWER(PIN 87A)            | CHASSIS BATTERY POWER              |
| CX<br>16 WHT              | DAYTIME RUNNING LAMP MODULE GROUND(PIN 87)            | GROUND                             |
| CY<br>16 YEL              | DAYTIME RUNNING LAMP MODULE HIGH BEAM DISABLE(PIN 86) | HIGH BEAM HEADLAMP CIRCUIT         |
| DA<br>12 YEL              | SHOWER SUMP SYSTEM PUMP SWITCH                        | SHOWER SUMP SYSTEM PUMP            |
| DB<br>12 WHT              | SHOWER SUMP SYSTEM PUMP                               | GROUND                             |
| DC<br>16 YEL              | REAR ROOF AIR CONDITIONER EXHAUST CIRCUIT             | THERMOSTAT                         |
| DD<br>16 YEL              | REAR ROOF AIR CONDITIONER COOL CIRCUIT                | THERMOSTAT (Y TERM-EXPORT AIR/YEL) |
| DE<br>16 YEL              | REAR ROOF AIR CONDITIONER HIGH SPEED FAN CIRCUIT      | THERMOSTAT (H TERM-EXPORT AIR/BLU) |
| DF<br>16 YEL              | REAR ROOF AIR CONDITIONER LOW SPEED FAN CIRCUIT       | THERMOSTAT (G TERM-EXPORT AIR/RED) |
| DG<br>12YEL(GRY)          | IGNITION SWITCH                                       | ACCESSORY/RUN FEED                 |
| DH<br>14 YEL              | EMERGENCY SHUTDOWN GAUGE                              | FUEL SOLENOID (DIESEL ENGINE)      |
| DJ<br>16 YEL              | TV/RADIO SPEAKER SWITCHING RELAY OUTPUT               | LEFT REAR SPEAKER POSITIVE         |
| DK<br>16 WHT              | TV/RADIO SPEAKER SWITCHING RELAY OUTPUT               | LEFT REAR SPEAKER NEGATIVE         |

| WIRE IDENTIFICATION CHART |   |   |
|---------------------------|---|---|
| CODE/COLOR                | FROM:   | TO:   |
| DL<br>16 YEL              | TV/RADIO SPEAKER SWITCHING RELAY OUTPUT                   | RIGHT REAR SPEAKER POSITIVE                                   |
| DM<br>16 WHT              | TV/RADIO SPEAKER SWITCHING RELAY OUTPUT                   | RIGHT REAR SPEAKER NEGATIVE                                   |
| DN<br>10 YEL              | BATTERY DISCONNECT RELAY                                  | CIRCUIT BREAKER SLIDEOUT ROOM CIRCUIT BRKR                    |
| DP<br>14 YEL              | TV/RADIO SPEAKER FEED SELECT SWITCH                       | TV/RADIO SPEAKER SWITCHING RELAY COIL INPUT OR AMPLIFIER      |
| DR<br>16 YEL              | HWH WIRING OR KWIKEE FRONT SLIDE MODULE                   | SLIDEOUT SWITCH (ROOM ONE EXTEND)                             |
| DS<br>16 WHT              | CONTROL MODULE (FRONT SLIDE)(GROUND)                      | SLIDEOUT SWITCH (FRONT SLIDEOUT)                              |
| DT<br>16 YEL              | SLIDEOUT ROOM RELAY (PIN 30)                              | SLIDEOUT ROOM CONTROL SWITCH                                  |
| DU<br>16 YEL              | HWH WIRING OR KWIKEE FRONT SLIDE MODULE                   | SLIDEOUT SWITCH (ROOM ONE RETRACT)                            |
| DW<br>16 WHT              | SLIDEOUT ROOM SWITCH (G) (SWITCHED GROUND TO PUMP)        | HWH WIRING (SWITCHED GROUND TO PUMP)                          |
| DX<br>16 WHT              | HWH WIRING (G) (GROUND)                                   | SLIDEOUT ROOM SWITCH (GROUND)                                 |
| DY<br>16 WHT              | HWH WIRING (G) (JACK SENSE; SWITCHED GROUND)              | SLIDEOUT ROOM RELAY (JACK SENSE; SWITCHED GROUND)             |
| EA<br>16 YEL              | HWH WIRING (G) (ACCESSORY POWER)                          | SLIDEOUT ROOM RELAY (ACCESSORY POWER)                         |
| EB<br>16 YEL              | SLIDEOUT ROOM RELAY (G) (SWITCHED ACCESSORY POWER)        | FRT/RR SLIDEOUT ROOM SWITCH (SWITCHED EXTEND/RETRACT PWR)     |
| EC<br>10 YEL              | CHASSIS BATTERY POWER SOURCE (BATTERY MODE SOLENOID POST) | THRU FUSE TO AMP SOURCE SELECT RELAY(PIN 87)(OPTION 21V,95 Q) |
| ED<br>10 YEL              | COACH BATTERY POWER SOURCE (BATTERY MODE SOLENOID POST)   | THRU FUSE TO AMP SOURCE SELECT RELAY(PIN 87A)(OPTION 21V,95Q) |
| EE<br>16 YEL              | AIR RIDE SUSPENSION LEFT DOWN SWITCH POSITION             | AIR RIDE SUSPENSION LEFT HEIGHT CONTROL BOX                   |
| EF<br>16 YEL              | AIR RIDE SUSPENSION LEFT UP SWITCH POSITION               | AIR RIDE SUSPENSION LEFT HEIGHT CONTROL BOX                   |
| EG<br>16 WHT              | AIR RIDE SUSPENSION WIRE ASM GROUND                       | AIR RIDE SUSPENSION CONTROL LAMP GROUNDS                      |
| EH<br>16 YEL              | AIR RIDE SUSPENSION RIGHT DOWN SWITCH POSITION            | AIR RIDE SUSPENSION RIGHT HEIGHT CONTROL BOX                  |



| WIRE IDENTIFICATION CHART |  |  |
|---------------------------|--|--|
| CODE/COLOR                | FROM:  | TO:  |
| EJ<br>16 YEL              | AIR RIDE SUSPENSION RIGHT<br>UP SWITCH POSITION                | AIR RIDE SUSPENSION<br>RIGHT HEIGHT CONTROL BOX        |
| EK<br>16 YEL              | AIR RIDE SUSPENSION AUTO<br>MODE SWITCH POSITION               | AIR RIDE SUSPENSION<br>HEIGHT CONTROL BOXES            |
| EL<br>16 YEL              | RUN ONLY POWER   | AIR RIDE SUSPENSION<br>AUTO/MANUAL MODE SWITCH         |
| EM<br>16 YEL              | AIR RIDE SUSPENSION<br>COMPRESSOR                              | COMPRESSOR ON WARNING LAMP                             |
| EN<br>16 YEL              | AIR RIDE SUSPENSION MANUAL<br>MODE SWITCH POSITION             | LEVEL CONTROL SWITCHES<br>AND INDICATOR LAMP           |
| EP<br>14 YEL              | OVERCURRENT PROTECTION<br>(15A BREAKER TYPICAL)                | SPOTLAMP   |
| ER<br>16 YEL              | OVERCURRENT PROTECTION<br>(6A BREAKER TYPICAL)                 | ELECTRIC STEP<br>KILL SWITCH                           |
| ES<br>16 YEL              | ELECTRIC STEP<br>KILL SWITCH                                   | ELECTRIC STEP  |
| ET<br>16 YEL              | OVERCURRENT PROTECTION<br>(6A BREAKER TYPICAL)                 | REFRIGERATOR<br>(2 WAY)                                |
| EU<br>16 WHT              | REFRIGERATOR<br>(2 WAY)  | GROUND   |
| EW<br>14 YEL              | FUEL HEATER SWITCH   | FUEL HEATER<br>(DIESEL ENGINE)                         |
| EX<br>14 YEL              | TELEVISION POWER SWITCH  | TELEVISION WALL PLATE                                  |
| EY<br>12YELLTBLU          | OVERCURRENT PROTECTION<br>(16GA FUSELINK TYPICAL)              | IGNITION SWITCH FEED #2                                |
| FA<br>14 YEL              | DRIVER'S DOOR PASSENGER SIDE<br>POWER WINDOW SWITCH(DOWN,PIN2) | PASSENGER'S POWER WINDOW<br>SWITCH(PIN 2)              |
| FB<br>14 YEL              | DRIVER'S DOOR PASSENGER SIDE<br>POWER WINDOW SWITCH(UP,PIN 4)  | PASSENGER'S POWER WINDOW<br>SWITCH(PIN 4)              |
| FC<br>14 YEL              | PASSENGER'S DOOR POWER<br>WINDOW SWITCH(DOWN,PIN 1)            | PASSENGER'S DOOR POWER<br>WINDOW MOTOR(DOWN)           |
| FD<br>14 YEL              | PASSENGER'S DOOR POWER<br>WINDOW SWITCH(UP,PIN 5)              | PASSENGER'S DOOR POWER<br>WINDOW MOTOR(UP)             |
| FG<br>10 YEL              | AMPLIFIER POWER SOURCE<br>SELECT RELAY (PIN 30)                | AMPLIFIER POWER FEED<br>(DELUXE SOUND SYSTEM,95 LUXOR) |
| FH<br>10 WHT              | AMPLIFIER<br>(DELUXE SOUND SYSTEM,95 LUXOR)                    | GROUND   |

| WIRE IDENTIFICATION CHART |   |  |
|---------------------------|---|--|
| CODE/COLOR                | FROM:   | TO:  |
| FJ<br>12 YEL              | WATER PUMP SWITCH #2<br>(THREE SWITCH SYSTEM)             | WATER PUMP SWITCH #1<br>(THREE SWITCH SYSTEM)                    |
| FK<br>12 YEL              | WATER PUMP SWITCH #2<br>(THREE SWITCH SYSTEM)             | WATER PUMP SWITCH #1<br>(THREE SWITCH SYSTEM)                    |
| FL<br>14 YEL              | SECOND PORCH<br>LAMP SWITCH                               | SECOND PORCH LAMP  |
| FM<br>14 WHT              | SOLENOID MOUNTING BOLT                                    | GROUND   |
| FN<br>16 YEL              | SOURCE SELECTOR SWITCH<br>(DELUXE SOUND SYSTEM,95 LUXOR)  | AMP & EQUALIZER REMOTE TRIGGER<br>(DELUXE SOUND SYSTEM,95 LUXOR) |
| FP<br>16 YEL              | EXHAUST BRAKE SWITCH<br>(DIESEL PUSHER CHASSIS)           | CHASSIS EXHAUST BRAKE HARNESS<br>& BRAKE ON DASH INDICATOR LAMP  |
| FR<br>14 YEL              | FORD RUN/ACCESSORY IGNITION<br>CIRCUIT(WHT/PUR,10A FUSED) | DOCKING LAMPS, RELAY TRIGGER,<br>REAR MONITOR CAMERA FEED        |
| FS<br>14 YEL              | DOCKING LAMPS<br>RELAY(PIN 87)                            | DOCKING LAMPS  |
| FT<br>14 WHT              | DOCKING LAMPS   | GROUND   |
| FU<br>14 YEL              | AUTOMOTIVE AIR WIRING                                     | FORD A/C COMPRESSOR CLUTCH<br>SWITCH CIRCUIT                     |
| FW<br>14 YEL              | DOCKING LAMPS SWITCH                                      | DOCKING LAMPS<br>RELAY(PIN 30)                                   |
| FX<br>12 YEL              | OVERCURRENT PROTECTION<br>(30A BRKR OR FUSE)              | POWER DRIVER SEAT<br>(I.E.,6 WAY)                                |
| FY<br>12 WHT              | POWER DRIVER SEAT<br>(I.E.,6 WAY)                         | GROUND   |
| GA<br>14 YEL              | WATER SYSTEM WINTERIZATION<br>SWITCH                      | WINTERIZATION VALVE  |
| GB<br>14 YEL              | WATER HEATER BYPASS SWITCH                                | WATER HEATER BYPASS VALVE  |
| GC<br>16 YEL              | SLIDEOUT ROOM SPDT SWITCH (M)<br>(SWITCHED WIRE)          | HWH WIRING<br>(SWITCHED WIRE)                                    |
| GD<br>16 YEL              | WIPER CONTROL MODULE                                      | WIPER MOTOR<br>(S TERMINAL)                                      |
| GE<br>16 YEL              | SWITCHED DOME LAMP FEED                                   | DOME LAMP  |
| GF<br>16 WHT              | COMMON REAR CHANNEL<br>SPEAKER RETURN                     | REAR SPEAKERS  |

| WIRE IDENTIFICATION CHART |   |   |
|---------------------------|---|---|
| CODE/COLOR                | FROM:   | TO:   |
| GG<br>16 YEL              | RADIO REMOTE TRIGGER<br>(DELUXE SOUND OPTION)     | SOURCE SELECTOR SWITCH<br>(LUXOR)                               |
| GH<br>14 WHT              | GLOW PLUG WAIT LAMP<br>(DIESEL ENGINE)            | ENGINE SENDER   |
| GJ<br>16 YEL              | COACH BATTERY POWER<br>(UPSTREAM OF DISCONNECT)   | LP DETECTOR AND/OR SOLAR PANEL<br>WIRING OVERCURRENT PROTECTION |
| GK<br>14 YEL              | AIR HORN SWITCH                                   | CHASSIS HORN  |
| GL<br>16 WHT              | WATER/HOLDING TANKS<br>LEVEL SENSORS              | GROUND  |
| GM<br>16 YEL              | JET AIR RIDE SUSPENSION<br>PRESSURE SENSORS       | CHECK REAR AIR SUSPENSION<br>DASH WARNING LAMP                  |
| GN<br>16 YEL              | REAR TV SPEAKER OUTPUT<br>(POSITIVE)              | REAR TV SPEAKER<br>(POSITIVE)                                   |
| GP<br>16 WHT              | REAR TV SPEAKER OUTPUT<br>(NEGATIVE)              | REAR TV SPEAKER<br>(NEGATIVE)                                   |
| GR<br>14 YEL              | THERMOSTATICALLY CONTROLLED<br>ROOF VENT (SEND)   | THERMOSTAT<br>(RETURN)  |
| GS<br>14 YEL              | THERMOSTATICALLY CONTROLLED<br>ROOF VENT (RETURN) | THERMOSTAT<br>(RETURN)  |
| GT<br>16 YEL              | RADIO POWER SWITCH<br>(MEMORY FEED)               | RADIO<br>(MEMORY FEED)  |
| GU<br>16 YEL              | DEFOG MODULE OUTPUT                               | DEFOG RELAY, INDICATOR<br>LAMP                                  |
| GW<br>16 WHT              | DEFOG SWITCH ON/OFF                               | DEFOG MODULE ON/OFF   |
| GX<br>16/12 WHT           | STEP COVER SWITCH<br>(REF AAA-16/KA-12)           | GROUND  |
| GY<br>12 YEL              | DEFOG RELAY                                       | DEFOG UNIT  |
| HA<br>14 YEL              | READING LAMPS SWITCH<br>(93 VANS)                 | READING LAMPS   |
| HB<br>14 YEL              | "MOOD" LAMPS SWITCH<br>(93 VANS)                  | "MOOD" LAMPS  |
| HC<br>14 YEL              | 12V POWER SOURCE<br>(93 VANS)                     | OVERCURRENT PROTECTION<br>(15A FUSE TYPICAL)                    |
| HD<br>14 YEL              | SOFA SLIDE MOTOR POSITIVE<br>(94 VANS)            | SOFA MONOPLEX<br>CONTROLLER                                     |

| WIRE IDENTIFICATION CHART |  |  |
|---------------------------|--|--|
| CODE/COLOR                | FROM:  | TO:  |
| HE<br>14 WHT              | SOFA SLIDE MOTOR NEGATIVE<br>(94 VANS)               | SOFA MONOPLEX<br>CONTROLLER                                  |
| HF<br>14 YEL              | SOFA RECLINE MOTOR POSITIVE<br>(94 VANS)             | SOFA MONOPLEX<br>CONTROLLER                                  |
| HG<br>14 WHT              | SOFA RECLINE MOTOR NEGATIVE<br>(94 VANS)             | SOFA MONOPLEX<br>CONTROLLER                                  |
| HH<br>16 YEL              | SOFA MONOPLEX SWITCH<br>(94 VANS)                    | SOFA MONOPLEX<br>CONTROLLER                                  |
| HJ<br>16 WHT              | SOFA MONOPLEX SWITCH<br>(94 VANS)                    | GROUND   |
| HK<br>14 WHT              | SOFA MONOPLEX CONTROLLER<br>(94 VANS)                | GROUND   |
| HL<br>14 YEL              | FLOOD LAMP SWITCH<br>(94 VANS)                       | FLOOD LAMP   |
| HM<br>16 YEL              | REAR TV SPEAKER OUTPUT<br>(POSITIVE)                 | REAR TV SPEAKER<br>(POSITIVE)                                |
| HN<br>16 WHT              | REAR TV SPEAKER OUTPUT<br>(NEGATIVE)                 | REAR TV SPEAKER<br>(NEGATIVE)                                |
| HP<br>16 YEL              | OVERCURRENT PROTECTION<br>(94 VANS)                  | REAR AC  |
| HR<br>14 YEL              | SWITCH<br>(94 1200 MODEL VAN)                        | 12VOLT RECEPTACLE  |
| HS<br>16 YEL              | SOLAR PANEL<br>(1HS INDICATOR TO BATTERY)            | COACH BATTERY THRU OVERCURRENT<br>PROTECTION                 |
| HT<br>16 WHT              | SOLAR PANEL<br>(1HT INDICATOR TO GROUND)             | GROUND   |
| HU<br>16 YEL              | GENERATOR SWITCH<br>(LED)                            | GENERATOR<br>(POSITIVE SIGNAL)                               |
| HW<br>16 YEL              | LICENSE PLATE LAMP FEED                              | LICENSE PLATE LAMP   |
| HX<br>16 YEL              | CHASSIS CLEARANCE LAMP CRT #2                        | CLEARANCE/MARKER LAMPS                                       |
| HY<br>12 WHT              | DEFOG UNIT   | GROUND   |
| JA<br>14 YEL              | OVERCURRENT PROTECTION<br>(15A FUSE/BREAKER TYPICAL) | WATER PUMP, MONITOR PANEL, ETC<br>( "CLEAN CIRCUIT", REF JP) |
| JB<br>14 YEL              | OVERCURRENT PROTECTION<br>(15A FUSE/BREAKER TYPICAL) | FURNACE, ROOF VENT, ETC<br>(REF JM)                          |

| WIRE IDENTIFICATION CHART |  |   |
|---------------------------|--|---|
| CODE/COLOR                | FROM:  | TO:   |
| JC<br>14 YEL              | OVERCURRENT PROTECTION<br>(15A FUSE/BREAKER TYPICAL) | COACH LIGHTING, ETC<br>CIRCUIT #1 (REF NC)              |
| JD<br>14 YEL              | OVERCURRENT PROTECTION<br>(15A FUSE/BREAKER TYPICAL) | COACH LIGHTING, ETC<br>CIRCUIT #2 (REF ND)              |
| JE<br>14 YEL              | OVERCURRENT PROTECTION<br>(15A FUSE/BREAKER TYPICAL) | COACH LIGHTING, ETC<br>CIRCUIT #3 (REF NE)              |
| JF<br>14 YEL              | OVERCURRENT PROTECTION<br>(15A FUSE/BREAKER TYPICAL) | COACH LIGHTING, ETC<br>CIRCUIT #4 (REF NF)              |
| JG<br>14 YEL              | OVERCURRENT PROTECTION<br>(15A FUSE/BREAKER TYPICAL) | COACH LIGHTING, ETC(ALT CLEAN)<br>CIRCUIT #5 (REF JN)   |
| JH<br>14 YEL              | MAIN FURNACE<br>(12V POWER)                          | MAIN FURNACE<br>THERMOSTAT                              |
| JJ<br>14 YEL              | MAIN FURNACE<br>(HEAT)                               | MAIN FURNACE<br>THERMOSTAT                              |
| JK<br>14 YEL              | AUXILIARY FURNACE                                    | AUXILIARY FURNACE<br>THERMOSTAT                         |
| JL<br>14 YEL              | AUXILIARY FURNACE                                    | AUXILIARY FURNACE<br>THERMOSTAT                         |
| JM<br>14 WHT              | MAIN FURNACE   | GROUND  |
| JN<br>14 WHT              | COACH LIGHTING CIRCUIT #5<br>(REF JG)                | GROUND(ALTERNATE CLEAN CIRCUIT<br>FOR LINEAR CONVERTER) |
| JP<br>14 WHT              | "CLEAN CIRCUIT" DEVICES<br>(REF JA)                  | GROUND  |
| JR<br>16 YEL              | MONITOR PANEL  | LP TANK #2 LEVEL SENSOR                                 |
| JS<br>12 YEL              | MONITOR PANEL WATER<br>PUMP SWITCH                   | WATER PUMP  |
| JT<br>16 YEL              | MONITOR PANEL  | LP TANK #1 LEVEL SENSOR                                 |
| JU<br>14 YEL              | MONITOR PANEL WATER<br>HEATER SWITCH                 | WATER HEATER<br>(BLU)                                   |
| JW<br>14 YEL              | MONITOR PANEL WATER<br>HEATER SWITCH                 | WATER HEATER<br>(BRN)                                   |
| JX<br>14 WHT              | WATER HEATER   | GROUND  |
| JY<br>12 WHT              | WATER PUMP   | GROUND  |

| WIRE IDENTIFICATION CHART |  |  |
|---------------------------|--|--|
| CODE/COLOR                | FROM:  | TO:  |
| KA<br>12 YEL              | OVERCURRENT PROTECTION<br>(25A BREAKER TYPICAL)      | ELECTRIC STEP<br>BATTERY POWER                                   |
| KB<br>10 YEL              | OVERCURRENT PROTECTION<br>(25A BREAKER TYPICAL)      | ELECTRIC STEP KILL SWITCH<br>(OLD STEP WIRING STYLE)             |
| KC<br>10 YEL              | ELECTRIC STEP KILL SWITCH<br>(OLD STEP WIRING STYLE) | ELECTRIC STEP  |
| KD<br>18 WHT              | ELECTRIC STEP DOOR<br>JAMB SWITCH                    | ELECTRIC STEP  |
| KE<br>14 YEL              | RUN ONLY POWER SOURCE                                | GENERAL PURPOSE(RELAY TRIGGER,<br>REAR AUTO HTR,DRL,MONITOR,ETC) |
| KF<br>16 WHT              | COACH BATTERY DISCONNECT<br>RELAY SWITCH             | GROUND   |
| KG<br>14 YEL              | POWER LIFT VENT<br>(BLU)                             | POWER LIFT SWITCH(UP)  |
| KH<br>14 YEL              | POWER LIFT VENT<br>(RED)                             | POWER LIFT SWITCH(DOWN)  |
| KJ<br>14 YEL              | POWER LIFT VENT<br>(BLK)                             | FAN SWITCH   |
| KK<br>18 YEL              | REAR STEREO  | RIGHT SPEAKER<br>(POSITIVE)                                      |
| KL<br>18 WHT              | REAR STEREO  | RIGHT SPEAKER<br>(NEGATIVE)                                      |
| KM<br>14 YEL              | POWER LIFT VENT LAMP                                 | LAMP SWITCH  |
| KN<br>18 YEL              | REAR STEREO  | LEFT SPEAKER<br>(POSITIVE)                                       |
| KP<br>18 WHT              | REAR STEREO  | LEFT SPEAKER<br>(NEGATIVE)                                       |
| KR<br>14 WHT              | REAR STEREO ANTENNA                                  | GROUND   |
| KS<br>14 YEL              | REAR AUTO HEATER SWITCH<br>(HIGH SPEED)              | REAR AUTO HEATER   |
| KT<br>14 YEL              | REAR AUTO HEATER SWITCH<br>(MEDIUM SPEED)            | REAR AUTO HEATER   |
| KU<br>14 YEL              | REAR AUTO HEATER SWITCH<br>(LOW SPEED)               | REAR AUTO HEATER   |
| KW<br>18 YEL              | DASH RADIO   | RIGHT FRONT SPEAKER<br>(POSITIVE)                                |

| WIRE IDENTIFICATION CHART |  |   |
|---------------------------|--|---|
| CODE/COLOR                | FROM:  | TO:   |
| KX<br>18 YEL              | DASH RADIO   | RIGHT REAR SPEAKER<br>(POSITIVE)                                |
| KY<br>18 YEL              | DASH RADIO   | LEFT FRONT SPEAKER<br>(POSITIVE)                                |
| LA<br>18 YEL              | DASH RADIO   | LEFT REAR SPEAKER<br>(POSITIVE)                                 |
| LB<br>18 WHT              | DASH RADIO   | RIGHT REAR SPEAKER<br>(NEGATIVE)                                |
| LC<br>18 WHT              | DASH RADIO   | LEFT REAR SPEAKER<br>(NEGATIVE)                                 |
| LD<br>14 YEL              | IGNITION SWITCH ACCESSORY<br>POWER SOURCE                | GENERAL PURPOSE(AUX FANS,RELAY<br>TRIGGER,ETC.)                 |
| LE<br>14 YEL              | AUXILIARY DEFROST FANS SWITCH<br>(HIGH SPEED)            | AUXILIARY DEFROST FANS<br>(BLK)                                 |
| LF<br>14 YEL              | AUXILIARY DEFROST FANS SWITCH<br>(LOW SPEED)             | AUXILIARY DEFROST FANS<br>(RED)                                 |
| LG<br>16 YEL              | COACH BATTERY DISCONNECT RELAY<br>(TERMINAL I)           | COACH BATTERY DISCONNECT<br>RELAY SWITCH                        |
| LH<br>16 YEL              | COACH BATTERY DISCONNECT RELAY<br>(TERMINAL S)           | COACH BATTERY DISCONNECT<br>RELAY SWITCH                        |
| LJ<br>16 YEL              | COACH BATTERY DISCONNECT RELAY<br>BATTERY SIDE FUSE FEED | COACH BATTERY DISCONNECT<br>RELAY SWITCH                        |
| LK<br>16 YEL              | COACH BATTERY DISCONNECT RELAY<br>LOAD SIDE FUSE FEED    | COACH BATTERY DISCONNECT<br>RELAY SWITCH/INDICATOR LAMP         |
| LL<br>16 WHT              | GENERATOR SWITCH<br>(START)                              | GENERATOR<br>(RED)  |
| LM<br>16 WHT              | GENERATOR SWITCH<br>(STOP)                               | GENERATOR<br>(ORN)  |
| LN<br>16 WHT              | GENERATOR SWITCH/INDICATOR<br>(GROUND)                   | GENERATOR<br>(GRN)  |
| LP<br>16 YEL              | GENERATOR SWITCH/INDICATOR<br>(RUN)                      | GENERATOR<br>(BLU)  |
| LR<br>14 YEL              | BATTERY MODE SWITCH<br>(AUX START SWITCH)                | BATTERY MODE SOLENOID<br>(AUX START SOLENOID)                   |
| LS<br>12 YEL              | OVERCURRENT PROTECTION<br>20A BREAKER TYPICAL,COACH FEED | GENERAL PURPOSE(BATTERY MODE,<br>RADIO POWER,BATTERY CONDITION) |
| LT<br>16 YEL              | BATTERY CONDITION SWITCH                                 | VOLTMETER<br>(POWER FEED)                                       |

| WIRE IDENTIFICATION CHART |  |   |
|---------------------------|--|---|
| CODE/COLOR                | FROM:  | TO:   |
| LU<br>14 YEL              | CHASSIS BRAKE LAMP CIRCUIT                         | VEHICLE BRAKES, TAG AXLE<br>CONTROL MODULE,ETC.             |
| LW<br>14 YEL              | WIPER CONTROL MODULE<br>(PARK)                     | WINDSHIELD WIPER MOTOR<br>(FRONT)                           |
| LX<br>14 YEL              | WIPER CONTROL MODULE<br>(LOW SPEED)                | WINDSHIELD WIPER MOTOR<br>(FRONT)                           |
| LY<br>14 YEL              | WIPER CONTROL MODULE<br>(HIGH SPEED)               | WINDSHIELD WIPER MOTOR<br>(FRONT)                           |
| MA<br>14 YEL              | WIPER CONTROL MODULE<br>(WASHER BOTTLE PUMP)       | WINDSHIELD WASHER BOTTLE PUMP<br>(FRONT)                    |
| MB<br>14 YEL              | CHASSIS WINDSHIELD WIPER<br>FEED CIRCUIT           | OVERCURRENT PROTECTION<br>(6A BREAKER TYPICAL)              |
| MC<br>16 WHT              | INSTRUMENT PANEL LAMPS                             | GROUND  |
| MD<br>14 YEL              | OVERCURRENT PROTECTION<br>(15A BREAKER TYPICAL)    | REMOTE MIRROR RELAY/POWER<br>WINDOW FEED                    |
| ME<br>14 YEL              | OVERCURRENT PROTECTION<br>(15A BREAKER TYPICAL)    | AIR HORN RELAY FEED/<br>MARKER LAMPS RELAY FEED             |
| MF<br>14 YEL              | OVERCURRENT PROTECTION<br>(15A BREAKER TYPICAL)    | FOG LAMP RELAY FEED/<br>SPOT LAMP FEED                      |
| MG<br>14 WHT              | GENERAL PURPOSE(RELAYS,DASH<br>DEVICES,ETC.)       | GROUND  |
| MH<br>16 WHT              | CHASSIS CHOKE LAMP<br>INDICATOR CIRCUIT            | CHOKE LAMP  |
| MJ<br>14 YEL              | CHASSIS WINDSHIELD WIPER<br>FEED CIRCUIT           | WIPER CONTROL MODULE<br>(POWER FEED)                        |
| MK<br>14 YEL              | CHASSIS BATTERY POWER<br>FEED CIRCUIT              | GENERAL PURPOSE(CIGAR LIGHTER,<br>DOME/COURTESY LAMPS,ETC)  |
| ML<br>16 YEL              | CHASSIS INSTRUMENT PANEL<br>LAMPS FEED CIRCUIT     | INSTRUMENT PANEL LAMPS                                      |
| MM<br>14 YEL              | CHASSIS CLEARANCE LAMP CRT #1<br>(BRN TYPICAL)     | CLEARANCE/MARKER LAMPS                                      |
| MN<br>14 WHT              | DOME LAMP SWITCHED GROUND                          | DOME LAMP SWITCH(DOOR JAMB,<br>INSTRUMENT PANEL SWITCH,ETC) |
| MP<br>18/16 WHT           | ELEC STEP DOOR JAMB SWITCH,<br>LP TANK SENDER, ETC | GROUND  |
| MR<br>14 YEL              | REAR WINDOW WIPER SWITCH<br>(LOW SPEED)            | REAR WINDOW WIPER MOTOR<br>(LOW SPEED)                      |

| WIRE IDENTIFICATION CHART |  |  |
|---------------------------|--|--|
| CODE/COLOR                | FROM:  | TO:                                    |
| MS<br>14 WHT              | CLEARANCE/MARKER LAMPS   | GROUND                                 |
| MT<br>8 WHT               | ELECTRIC STEP  | GROUND                                 |
| MU<br>14 WHT              | GENERAL PURPOSE(CIGAR LIGHTER,<br>DOME LAMPS,12 V OUTLETS,ETC) | GROUND                                 |
| MW<br>16 YEL              | VEHICLE CHECK ENGINE<br>LAMP CIRCUIT                           | CHECK ENGINE LAMP                      |
| MX<br>16 YEL              | WINDSHIELD WIPER SWITCH  | WIPER RELAY                            |
| MY<br>14 YEL              | VEHICLE HEADLAMP FEED CIRCUIT                                  | DIMMER MODULE                          |
| NA<br>14 YEL              | VEHICLE HEADLAMP LOW<br>BEAM CIRCUIT                           | DIMMER MODULE                          |
| NB<br>14 YEL              | VEHICLE HEADLAMP HIGH<br>BEAM CIRCUIT                          | DIMMER MODULE                          |
| NC<br>14 WHT              | COACH LIGHTING CIRCUIT #1<br>(REF JC)                          | GROUND                                 |
| ND<br>14 WHT              | COACH LIGHTING CIRCUIT #2<br>(REF JD)                          | GROUND                                 |
| NE<br>14 WHT              | COACH LIGHTING CIRCUIT #3<br>(REF JE)                          | GROUND                                 |
| NF<br>14 WHT              | COACH LIGHTING CIRCUIT #4<br>(REF JF)                          | GROUND                                 |
| NG<br>16 YEL              | FOG LAMPS SWITCH   | FOG LAMPS RELAY                        |
| NH<br>14 YEL              | FOG LAMPS RELAY  | FOG LAMPS                              |
| NJ<br>16 YEL              | CHASSIS HORN FEED CIRCUIT                                      | AIR HORN SWITCH                        |
| NK<br>14 YEL              | AIR HORN SWITCH  | AIR HORN AIR TANK AIR<br>RELEASE VALVE |
| NL<br>14 YEL              | AR HORN RELAY  | AIR HORN AIR COMPRESSOR                |
| NM<br>14 YEL              | OVERCURRENT PROTECTION<br>(15A FUSE TYPICAL)                   | COACH LIGHTING CIRCUIT #6<br>(REF PM)  |
| NN<br>16 YEL              | LEFT POWER MIRROR MOTOR<br>(HORIZONTAL CONTROL,YEL)            | POWER MIRROR CONTROL SWITCH            |

| WIRE IDENTIFICATION CHART |  |                             |
|---------------------------|--|-----------------------------|
| CODE/COLOR                | FROM:  | TO:                         |
| NR<br>16 YEL              | LEFT POWER MIRROR<br>(VERTICAL CONTROL, WHT)           | POWER MIRROR CONTROL SWITCH |
| NS<br>14 YEL              | POWER MIRROR HEATER SWITCH                             | POWER MIRRORS<br>(RED)      |
| NT<br>14 YEL              | POWER MIRROR RELAY                                     | POWER MIRROR CONTROL SWITCH |
| NU<br>14 YEL              | AISLE LAMPS SWITCH #1                                  | AISLE LAMPS SWITCH #2       |
| NW<br>14 YEL              | FRONT COMPARTMENT LAMPS SWITCH                         | COMPARTMENT LAMPS           |
| NX<br>14 YEL              | INTERSTATE COMMERCE COMMITTEE<br>COURTESY BLINK SWITCH | CLEARANCE LAMPS             |
| NY<br>14 YEL              | AISLE LAMPS SWITCH #1                                  | AISLE LAMPS SWITCH #2       |
| PA<br>14 WHT              | REAR AUTO HEATER                                       | GROUND                      |
| PB<br>14 WHT              | REAR WINDOW WIPER MOTOR                                | GROUND                      |
| PC<br>14 YEL              | BEDROOM CEILING LAMP SWITCH                            | BEDROOM CEILING LAMP        |
| PD<br>14 YEL              | MAKE UP LAMP #1 SWITCH                                 | MAKE UP LAMP #1             |
| PE<br>14 YEL              | BATH CEILING LAMP SWITCH                               | BATH CEILING LAMP           |
| PF<br>14 YEL              | SHOWER LAMP SWITCH<br>WIRE D WAS FIRST USED ON C'S     | SHOWER LAMP                 |
| PG<br>14 YEL              | WARDROBE LAMP SWITCH                                   | WARDROBE LAMP               |
| PH<br>14 YEL              | AISLE LAMPS SWITCH                                     | AISLE LAMPS                 |
| PJ<br>14 YEL              | PORCH LAMP SWITCH                                      | PORCH LAMP                  |
| PK<br>14 YEL              | STRIP LAMP SWITCH                                      | STRIP LAMP                  |
| PL<br>14 YEL              | FRONT CEILING LAMP SWITCH                              | FRONT CEILING LAMP          |
| PM<br>14 WHT              | COACH LIGHTING CIRCUIT #6<br>(REF NM)                  | GROUND                      |

| WIRE IDENTIFICATION CHART |   |  |
|---------------------------|---|--|
| CODE/COLOR                | FROM:   | TO:                                      |
| PN<br>16 WHT              | RIGHT POWER MIRROR<br>(COMMON,BLK)              | POWER MIRROR CONTROL SWITCH              |
| PP<br>16 YEL              | RIGHT POWER MIRROR<br>(HORIZONTAL CONTROL,YEL)  | POWER MIRROR CONTROL SWITCH              |
| PR<br>16 YEL              | RIGHT POWER MIRROR<br>(VERTICAL CONTROL,WHT)    | POWER MIRROR CONTROL SWITCH              |
| PS<br>14 YEL              | MAP LAMP SWITCH                                 | MAP LAMP                                 |
| PT<br>14 YEL              | BEVERAGE TRAY LAMP SWITCH                       | BEVERAGE TRAY LAMP                       |
| PU<br>14 YEL              | DUMP LAMP SWITCH                                | DUMP LAMP                                |
| PW<br>14 YEL              | OVERCURRENT PROTECTION<br>(15A BREAKER TYPICAL) | POWER DOOR LOCK/UNLOCK RELAY<br>(PIN 30) |
| PX<br>16 YEL              | POWER DOOR LOCK SWITCH<br>(LOCK) (PIN 1)        | POWER DOOR LOCK RELAY<br>(PIN 86)        |
| PY<br>16 YEL              | POWER DOOR LOCK SWITCH<br>(UNLOCK) (PIN 5)      | POWER DOOR UNLOCK RELAY<br>(PIN 86)      |
| RA<br>14 YEL              | VEHICLE LEFT FRONT TURN<br>SIGNAL CIRCUIT       | LEFT FRONT TURN<br>SIGNAL/MARKER LAMP    |
| RB<br>14 YEL              | VEHICLE RIGHT FRONT TURN<br>SIGNAL CIRCUIT      | RIGHT FRONT TURN<br>SIGNAL/MARKER LAMP   |
| RC<br>14 WHT              | FRONT AUTOMOTIVE LAMPS(TURN,<br>MARKER,ETC)     | GROUND                                   |
| RD<br>14 YEL              | OVERCURRENT PROTECTION<br>(15 A FUSE TYPICAL)   | HAZARD FLASHER, HORN RELAY               |
| RE<br>12 YEL              | RADIATOR FAN RELAY#1<br>(COMMON)                | RADIATOR FAN #1                          |
| RF<br>12 YEL              | RADIATOR FAN RELAY #2<br>(COMMON)               | RADIATOR FAN #2                          |
| RG<br>14 WHT              | RADIATOR FAN THERMOSTAT<br>SWITCH               | RADIATOR FAN RELAYS<br>(COILS, TRIGGER)  |
| RH<br>12YEL(BLK)          | OVERCURRENT PROTECTION<br>(25A BREAKER TYPICAL) | RADIATOR FAN RELAY #1<br>(NORMALLY OPEN) |
| RJ<br>12YEL(BLK)          | OVERCURRENT PROTECTION<br>(25A BREAKER TYPICAL) | RADIATOR FAN RELAY #2<br>(NORMALLY OPEN) |
| RK<br>12 WHT              | RADIATOR FAN #1                                 | GROUND                                   |

| WIRE IDENTIFICATION CHART |  |   |
|---------------------------|--|---|
| CODE/COLOR                | FROM:  | TO:   |
| RL<br>12 WHT              | RADIATOR FAN #2  | GROUND  |
| RM<br>14 WHT              | VEHICLE IGNITION SWITCH GROUND<br>DURING START CIRCUIT | BULB CHECK(LOW TAG AIR,PARK<br>BRAKE,ETC)                   |
| RN<br>14 YEL              | AUTOMOTIVE AIR CONDITIONER<br>THERMOSTAT CUTOFF SWITCH | AUTOMOTIVE AIR CONDITIONER<br>COMPRESSOR CLUTCH             |
| RP<br>14 YEL              | AUTOMOTIVE AIR CONDITIONER<br>COOLANT FAN CONTROL      | COOLANT FAN RELAY   |
| RR<br>14 YEL              | BRAKE LAMP SWITCH                                      | TURN SIGNAL SWITCH  |
| RS<br>14 YEL              | HEADLAMP SWITCH INSTRUMENT<br>PANEL LAMP FEED SWITCH   | OVERCURRENT PROTECTION<br>(5A FUSE TYPICAL)                 |
| RT<br>14 YEL              | HORN RELAY<br>(COMMON)                                 | HORN  |
| RU<br>14 YEL              | HORN RELAY<br>(COIL)                                   | HORN SWITCH   |
| RW<br>14 YEL              | HAZARD FLASHER   | TURN SIGNAL SWITCH  |
| RX<br>14 YEL              | EUL WARNING LAMP                                       | EUL MODULE  |
| RY<br>14 WHT              | INSTRUMENT CLUSTER/<br>EUL MODULE                      | GROUND  |
| SA<br>14 YEL              | ENGINE WATER TEMPERATURE<br>SENDER                     | ENGINE WATER TEMPERATURE GAUGE                              |
| SB<br>14 YEL              | ENGINE OIL PRESSURE SENDER                             | ENGINE OIL PRESSURE GAUGE                                   |
| SC<br>14 YEL              | VEHICLE RIGHT REAR TURN<br>SIGNAL/BRAKE LAMP CIRCUIT   | RIGHT REAR TURN SIGNAL/<br>BRAKE LAMPS                      |
| SD<br>14 YEL              | VEHICLE LEFT REAR TURN<br>SIGNAL/BRAKE LAMP CIRCUIT    | LEFT REAR TURN SIGNAL/<br>BRAKE LAMPS                       |
| SE<br>16YEL(WHT)          | SPEED SENSOR<br>(TWISTED PAIR)                         | SPEEDOMETER AND SPEED<br>CONTROL MODULE                     |
| SF<br>16WHT(BLK)          | SPEED SENSOR<br>(TWISTED PAIR)                         | SPEEDOMETER AND SPEED<br>CONTROL MODULE                     |
| SG<br>14 YEL              | IGNITION SWITCH START FEED                             | GENERAL(NEUTRAL SAFETY SWITCH,<br>FUEL PUMP RELAY COIL,ETC) |
| SH<br>14 YEL              | IGNITION SWITCH RUN/START FEED                         | GENERAL(IGNITION COIL RELAY<br>NORMALLY OPEN CONTACT,ETC)   |

| WIRE IDENTIFICATION CHART |   |  |
|---------------------------|---|--|
| CODE/COLOR                | FROM:   | TO:  |
| SJ<br>12YEL(BLK)          | OVERCURRENT PROTECTION<br>(16GA FUSELINK TYPICAL) | CHASSIS BATTERY FEED   |
| SK<br>12YEL(WHT)          | OVERCURRENT PROTECTION<br>(16GA FUSELINK TYPICAL) | CHASSIS BATTERY HEADLAMP<br>SWITCH FEED #1                       |
| SL<br>12YEL(BLU)          | OVERCURRENT PROTECTION<br>(16GA FUSELINK TYPICAL) | CHASSIS BATTERY IGNITION<br>SWITCH FEED #1                       |
| SM<br>12YEL(BLK)          | OVERCURRENT PROTECTION<br>(16GA FUSELINK TYPICAL) | RADIATOR FAN #1 CIRCUIT<br>BREAKER FEED                          |
| SN<br>12YEL(BLK)          | OVERCURRENT PROTECTION<br>(16GA FUSELINK TYPICAL) | RADIATOR FAN #2 CIRCUIT<br>BREAKER FEED                          |
| SP<br>14 YEL              | HEADLAMP SWITCH MARKER<br>CIRCUIT FEED            | OVERCURRENT PROTECTION<br>(15A FUSE TYPICAL)                     |
| SR<br>12YEL(BRN)          | IGNITION SWITCH RUN ONLY<br>FEED                  | OVERCURRENT PROTECTION<br>(15A FUSE TYPICAL)                     |
| SS<br>12YEL(WHT)          | IGNITION SWITCH ACCESSORY<br>FEED                 | OVERCURRENT PROTECTION<br>(15A FUSE TYPICAL)                     |
| ST<br>14 YEL              | OVERCURRENT PROTECTION<br>(15A FUSE TYPICAL)      | TURNS/BACK UP CIRCUIT FEED                                       |
| SU                        | STARTER SOLENOID<br>BATTERY TERMINAL              | ALTERNATOR BATTERY TERMINAL                                      |
| SW<br>14 YEL              | TURN SIGNAL FLASHER                               | TURN SIGNAL SWITCH   |
| SX<br>14 YEL              | REAR WINDOW WASHER SWITCH                         | REAR WINDOW WASHER BOTTLE PUMP                                   |
| SY<br>14 YEL              | IGNITION COIL                                     | TACHOMETER   |
| TA<br>14 YEL              | OVERCURRENT PROTECTION<br>(15A FUSE TYPICAL)      | IGNITION RUN ONLY GENERAL FEED<br>(RADIATOR FAN RELAY COIL,ETC)  |
| TB<br>12 YEL              | OVERCURRENT PROTECTION<br>(25A FUSE TYPICAL)      | IGNITION RUN ONLY GENERAL FEED<br>(AUTO AC BLOWER(NOT HIGH),ETC) |
| TC<br>14 YEL              | OVERCURRENT PROTECTION<br>(15A FUSE TYPICAL)      | IGNITION RUN ONLY GENERAL FEED<br>(DOOR LOCKS,REAR WIPER,ETC.)   |
| TD<br>14 YEL              | OVERCURRENT PROTECTION<br>(15A FUSE TYPICAL)      | CHASSIS BATTERY GENERAL FEED                                     |
| TE<br>16 WHT              | GENERATOR   | GENERATOR LOW OIL<br>INDICATOR LAMP                              |
| TF<br>16 YEL              | GENERATOR   | GENERATOR LOW OIL<br>INDICATOR LAMP                              |

| WIRE IDENTIFICATION CHART |  |  |
|---------------------------|--|--|
| CODE/COLOR                | FROM:  | TO:  |
| TG<br>16 YEL              | TELEVISION   | SPEAKER RIGHT<br>(POSITIVE)                            |
| TH<br>16 WHT              | TELEVISION   | SPEAKER RIGHT<br>(NEGATIVE)                            |
| TJ<br>16 YEL              | TELEVISION   | SPEAKER LEFT<br>(POSITIVE)                             |
| TK<br>16 WHT              | TELEVISION   | SPEAKER LEFT<br>(NEGATIVE)                             |
| TL<br>16 YEL              | FRONT RIGHT TV SPEAKER<br>NEGATIVE,SERIES CONNECTION | FRONT LEFT TV SPEAKER<br>POSITIVE,SERIES CONNECTION    |
| TM<br>16 WHT              | STEP COVER SWITCH                                    | STEP COVER SOLENOID<br>MOVES STEP OUT                  |
| TN<br>14 YEL              | STARTER SOLENOID<br>BATTERY TERMINAL                 | ALTERNATOR REGULATOR                                   |
| TP<br>14 WHT              | REAR AUTOMOTIVE LAMPS(TURN,<br>MARKER,ETC)           | GROUND   |
| TR<br>14 YEL              | VEHICLE BACK UP CIRCUIT FEED                         | BACK UP LAMPS  |
| TS<br>14 YEL              | STARTER SOLENOID<br>(I TERMINAL)                     | ENGINE WIRING<br>(IGNITION MODULE)                     |
| TT<br>14 YEL              | NEUTRAL SAFETY SWITCH                                | STARTER SOLENOID<br>(S TERMINAL)                       |
| TU<br>14 WHT              | IGNITION COIL RELAY<br>(COIL)                        | GROUND   |
| TW<br>14 YEL              | IGNITION SWITCH START/RUN FEED                       | IGNITION COIL  |
| TX<br>14 YEL              | IGNITION COIL RELAY<br>(COMMON)                      | IGNITION COIL  |
| TY<br>14 YEL              | ALTERNATOR<br>(T TERMINAL)                           | CHOKE HEATER   |
| UA<br>14 YEL              | FUEL PUMP FUSE                                       | OIL PRESSURE CUTOUT SWITCH/<br>FUEL PUMP RELAY(NO),ETC |
| UB<br>14 YEL              | INERTIA SWITCH<br>(FUEL PUMP SHUTOFF)                | FUEL PUMP RELAY<br>(NORMALLY CLOSED)                   |
| UC<br>14 YEL              | FUEL PUMP RELAY<br>(COMMON)                          | FUEL PUMP  |
| UD<br>16 WHT              | FUEL GAUGE   | FUEL SENDER  |

| WIRE IDENTIFICATION CHART |   |   |
|---------------------------|---|---|
| CODE/COLOR                | FROM:   | TO:   |
| UE<br>14 YEL              | INERTIA SWITCH<br>(FUEL PUMP SHUTOFF)           | OIL PRESSURE CUTOFF SWITCH                        |
| UF<br>14 WHT              | FUEL PUMP                                       | GROUND  |
| UG<br>14 WHT              | FUEL PUMP RELAY<br>(COIL)                       | GROUND  |
| UH<br>16 YEL              | LP DETECTOR<br>(SHUTOFF SYSTEM,YEL)             | LP SAFETY VALVE                                   |
| UJ<br>16 YEL              | LP DETECTOR<br>(SHUTOFF SYSTEM,YEL)             | LP SAFETY SWITCH                                  |
| UK<br>16 WHT              | LP DETECTOR<br>(BLK)(REF WB)                    | GROUND  |
| UL<br>16 WHT              | EUL LAMP  | EUL MODULE  |
| UM<br>16 WHT              | DOOR JAMB DOME LAMP SWITCH                      | GROUND  |
| UN<br>16 WHT              | SEAT BELT LAMP                                  | EUL MODULE  |
| UP<br>16 YEL              | SEAT BELT LAMP                                  | SEAT BELT BUZZER                                  |
| UR<br>16 WHT              | PARK BRAKE SWITCH                               | PARK BRAKE LAMP                                   |
| US<br>16 YEL              | OVERCURRENT PROTECTION<br>(6A BREAKER TYPICAL)  | COACH BATTERY FEED TO BATTERY<br>CONDITION SWITCH |
| UT<br>14 YEL              | DOOR JAMB DOME LAMP SWITCH<br>(SWITCH POSITIVE) | DOME LAMP   |
| UU<br>16 YEL              | WATER HEATER                                    | VACUUM VALVE SOLENOID                             |
| UW<br>16 WHT              | VACUUM VALVE SOLENOID                           | GROUND  |
| UX<br>16 YEL              | LP DETECTOR #2<br>(SHUTOFF SYSTEM,YEL)          | LP SAFETY VALVE                                   |
| UY<br>16 YEL              | LP DETECTOR #2<br>(SHUTOFF SYSTEM,YEL)          | LP SAFETY VALVE                                   |
| WA<br>14 YEL              | EXTERIOR SERVICE LAMP SWITCH                    | EXTERIOR SERVICE LAMP                             |
| WB<br>16 YEL              | OVERCURRENT PROTECTION<br>(6A BREAKER TYPICAL)  | LP DETECTOR<br>(REF UK)                           |

| WIRE IDENTIFICATION CHART |   |  |
|---------------------------|---|--|
| CODE/COLOR                | FROM:   | TO:  |
| WC<br>14 YEL              | DDVRCURRENT PROTECTION<br>(15A BREAKER TYPICAL) | COMPARTMENT LAMPS<br>(REF WE)                      |
| WD<br>14 WHT              | AISLE LAMPS                                     | GROUND   |
| WE<br>14 WHT              | COMPARTMENT LAMPS<br>(REF WC)                   | GROUND   |
| WF<br>12YEL(WHT)          | OVERCURRENT PROTECTION<br>(30A BREAKER TYPICAL) | PARK BRAKE COMPRESSOR SOENOID                      |
| WG<br>12YEL(BLK)          | OVERCURRENT PROTECTION<br>(30A BREAKER TYPICAL) | IGNITION RELAY                                     |
| WH<br>14 YEL              | OVERCURRENT PROTECTION<br>(15A BREAKER TYPICAL) | IGNITION SWITCH RUN ONLY FEED                      |
| WJ<br>12 YEL              | OVERCURRENT PROTECTION<br>(20A BREAKER TYPICAL) | IGNITION SWITCH ACCESSORY<br>FEED RELAY            |
| WK<br>14 YEL              | OVERCURRENT PROTECTION<br>(15A BREAKER TYPICAL) | IGNITION SWITCH ACCESSORY<br>FEED                  |
| WL<br>14 YEL              | POWER DOOR LOCK RELAY<br>(PIN 30)               | POWER DOOR LOCK MOTOR(S)<br>(LOCK)                 |
| WM<br>14 WHT              | POWER DOOR UNLOCK RELAY<br>(PIN 30)             | POWER DOOR LOCK MOTOR(S)<br>(UNLOCK)               |
| WN<br>16 YEL              | RADIO POWER SWITCH<br>(ACCESSORY POWER)         | DASH RADIO<br>(ACCESSORY POWER)                    |
| WP<br>10 YEL              | OVERCURRENT PROTECTION<br>(25A BREAKER TYPICAL) | FRONT PANEL LOADS(INVERTER,<br>RADIO)(96 M-SERIES) |
| WR<br>14 YEL              | OVERCURRENT PROTENTION<br>(15A BREAKER TYPICAL) | POWER SEAT LIFT SWITCH                             |
| WS<br>14 WHT              | POWER SEAT LIFT SWITCH                          | GROUND   |
| WT<br>14 YEL              | POWER SEAT LIFT SWITCH<br>(UP)                  | MOTOR<br>(POSITIVE UP)                             |
| WU<br>14 WHT              | POWER SEAT LIFT SWITCH<br>(DOWN)                | MOTOR<br>(POSITIVE DOWN)                           |
| WW<br>14 WHT              | SPOT LAMP SWITCH                                | GROUND   |
| WX<br>14 YEL              | HALLWAY CEILING LAMP SWITCH                     | HALLWAY CEILING LAMP                               |
| WY<br>10 WHT              | AUTOMOTIVE AIR CONDITIONER<br>MOTOR             | GROUND   |



| WIRE IDENTIFICATION CHART |  |  |
|---------------------------|--|--|
| CODE/COLOR                | FROM:  | TO:  |
| XA<br>12/10 YEL           | VEHICLE AUTOMOTIVE AIR<br>FEED CIRCUIT               | AUTOMOTIVE AIR CONDITIONER<br>BLOWER (USE 10 IF OVER 6')     |
| XB<br>14 YEL              | DRIVER'S DOOR POWER WINDOW<br>SWITCH(PIN 5)          | DRIVER'S DOOR POWER<br>WINDOW MOTOR(POSITIVE UP)             |
| XC<br>14 WHT              | DRIVER'S DOOR POWER WINDOW<br>SWITCH(PIN 1)          | DRIVER'S DOOR POWER<br>WINDOW MOTOR(POSITIVE DOWN)           |
| XD<br>16 WHT              | MONITOR PANEL  | HOLDING TANK LEVEL SENSOR<br>(FULL)                          |
| XE<br>16 WHT              | MONITOR PANEL  | HOLDING TANK LEVEL SENSOR<br>(3/4)                           |
| XF<br>16 WHT              | MONITOR PANEL  | HOLDING TANK LEVEL SENSOR<br>(1/2)                           |
| XG<br>16 WHT              | MONITOR PANEL  | HOLDING TANK LEVEL SENSOR<br>(1/4)                           |
| XH<br>16 YEL              | MONITOR PANEL  | WATER TANK LEVEL SENSOR                                      |
| XJ<br>16 YEL              | MONITOR PANEL  | BLACK HOLDING LEVEL SENSOR<br>(MAIN TANK)                    |
| XK<br>16 YEL              | MONITOR PANEL  | GRAY AUXILIARY HOLDING TANK #1<br>LEVEL SENSOR (AUX TANK #1) |
| XL<br>16 YEL              | MONITOR PANEL  | GRAY AUXILIARY HOLDING TANK #2<br>LEVEL SENSOR (AUX TANK #2) |
| XM<br>14 YEL              | OVERCURRENT PROTECTION<br>(18GA FUSELINK TYPICAL)    | IGNITION START RELAY   |
| XN<br>16 YEL              | FRONT ROOF AIR CONDITIONER<br>(EXHAUST)              | THERMOSTAT<br>(EX TERMINAL)                                  |
| XP<br>16 YEL              | FRONT ROOF AIR CONDITIONER<br>(COOL)                 | THERMOSTAT<br>(Y TERMINAL)(Y EXPORT AIR)                     |
| XR<br>16 YEL              | FRONT ROOF AIR CONDITIONER<br>(HIGH SPEED BLOWER)    | THERMOSTAT<br>(GH TERMINAL)(H EXPORT AIR)                    |
| XS<br>16 YEL              | FRONT ROOF AIR CONDITIONER<br>(LOW SPEED BLOWER)     | THERMOSTAT<br>(GL TERMINAL)(G EXPORT AIR)                    |
| XT<br>14 YEL              | IGNITION START RELAY #1<br>(NORMALLY CLOSED CONTACT) | IGNITION START RELAY #2<br>(COMMON CONTACT)                  |
| XU<br>14 YEL              | DINETTE OVHD LAMP SWITCH                             | DINETTE OVHD LAMP  |
| XW<br>14 WHT              | IGNITION SWITCH ACCESSORY<br>FEED RELAY CIRCUIT      | GROUND   |

| WIRE IDENTIFICATION CHART |   |   |
|---------------------------|---|---|
| CODE/COLOR                | FROM:   | TO:   |
| XX<br>14 YEL              | GALLEY LAMP SWITCH                                  | GALLEY LAMP   |
| XY<br>14 YEL              | MAKE UP LAMP #2 SWITCH                              | MAKE UP LAMP #2                                     |
| YA<br>14 YEL              | TAG AXLE PRESSURE<br>CONTROL SWITCH                 | COMPRESSOR SOLENOID/<br>SOLENOID AIR VALVE          |
| YB<br>14 WHT              | LOW AIR PRESSURE SWITCH                             | GROUND  |
| YC<br>10YEL(BLU)          | OVERCURRENT PROTECTION<br>(30A BREAKER TYPICAL)     | TAG AXLE COMPRESSOR SOLENOID                        |
| YD<br>14 WHT              | TAG AXLE MOUNTING<br>PLATE SCREW                    | GROUND  |
| YE<br>10 WHT              | TAG AXLE COMPRESSOR                                 | GROUND  |
| YF<br>12 WHT              | TAG AXLE BRAKE CONTROL<br>MODULE/BRAKE MAGNET       | GROUND  |
| YG<br>12YEL(BLK)          | OVERCURRENT PROTECTION<br>(20A BREAKER TYPICAL)     | TAG AXLE BRAKE CONTROL MODULE                       |
| YH<br>12YEL(BLU)          | TAG AXLE BRAKE CONTROL MODULE                       | TAG AXLE BRAKE MAGNET                               |
| YJ<br>10YEL(WHT)          | TAG AXLE COMPRESSOR SOLENOID                        | TAG AXLE COMPRESSOR                                 |
| YK<br>14 YEL              | BEDROOM CEILING LAMP SWITCH#1<br>(2 SWITCH SYSTEM)  | BEDROOM CEILING LAMP SWITCH #2<br>(2 SWITCH SYSTEM) |
| YL<br>14 YEL              | BEDROOM CEILING LAMP SWITCH #1<br>(2 SWITCH SYSTEM) | BEDROOM CEILING LAMP SWITCH #2<br>(2 SWITCH SYSTEM) |
| YM<br>14 YEL              | HALLWAY CEILING LAMP SWITCH #1<br>(2 SWITCH SYSTEM) | HALLWAY CEILING LAMP SWITCH #2<br>(2 SWITCH SYSTEM) |
| YN<br>14 YEL              | HALLWAY CEILING LAMP SWITCH #1<br>(2 SWITCH SYSTEM) | HALLWAY CEILING LAMP SWITCH #2<br>(2 SWITCH SYSTEM) |
| YP<br>14 YEL              | VALANCE LAMP SWITCH #1<br>(3 WAY SWITCH)            | VALANCE LAMP SWITCH #2<br>(3 WAY SWITCH)            |
| YR<br>14 YEL              | VALANCE LAMP SWITCH #1<br>(3 WAY SWITCH)            | VALANCE LAMP SWITCH #2<br>(3 WAY SWITCH)            |
| YS<br>14 YEL              | VALANCE LAMP SWITCH                                 | VALANCE LAMP  |
| YT<br>14 YEL              | FRONT VALANCE LAMP SWITCH                           | FRONT VALANCE LAMP                                  |

| WIRE IDENTIFICATION CHART |   |   |
|---------------------------|---|---|
| CODE/COLOR                | FROM:   | TO:   |
| YU<br>14 YEL              | REAR VALANCE LAMP SWITCH                                    | REAR VALANCE LAMP                                 |
| YW<br>14 WHT              | DOOR BELL SWITCH  | DOOR BELL   |
| YX<br>14 YEL              | IGNITION SWITCH RUN/START FEED                              | ALTERNATOR WARNING LAMP                           |
| YY<br>14 YEL              | ALTERNATOR VOLTAGE REGULATOR                                | ALTERNATOR WARNING LAMP                           |
| AAA<br>16 WHT             | STEP COVER SWITCH<br>(REF GX)                               | STEP COVER SOLENOID<br>MOVES STEP IN              |
| AAB<br>14 YEL             | DINETTE READING LAMPS                                       | DINETTE READING LAMP SWITCH                       |
| AAC<br>14 YEL             | LOUNGE READING LAMPS  | LOUNGE READING LAMP SWITCH                        |
| AAD<br>14 YEL             | FORD CHASSIS TRAILER MARKER<br>LAMP CIRCUIT (BR/WHT)        | TRAILER CONNECTOR SOCKET<br>MARKER LAMPS          |
| AAE<br>14 YEL             | FORD CHASSIS TRAILER BACKUP<br>LAMP CIRCUIT (BLK/LT GRN)    | TRAILER CONNECTOR SOCKET<br>BACKUP LAMPS          |
| AAF<br>14 YEL             | FORD CHASSIS TRAILER LEFT<br>TURN/BRAKE LAMP CIRCUIT (YEL)  | TRAILER CONNECTOR SOCKET<br>LEFT TURN/BRAKE LAMP  |
| AAG<br>14 YEL             | FORD CHASSIS TRAILER RIGHT<br>TURN/BRAKE LAMP CIRCUIT (DKG) | TRAILER CONNECTOR SOCKET<br>RIGHT TURN/BRAKE LAMP |
| AAH<br>14 YEL             | BATH-VENT, POWER  | BATH-VENT, THERMOSTAT                             |
| AAJ<br>14 YEL             | BATH-VENT, POWER  | BATH-VENT, THERMOSTAT                             |
| AAK<br>16 WHT             | SWITCH-WATER PUMP<br>(MULTIPLEX SYSTEM)                     | LATCHING RELAY<br>(WITH 4 OR MORE SWITCHES)       |
| AAL<br>16 WHT             | SWITCH-WATER PUMP<br>(MULTIPLEX SYSTEM)                     | GROUND  |
| AAM<br>14 YEL             | CHASSIS SUPPLIED WIRE ASM<br>(DARK BLUE) (GM)               | RIGHT TAIL LAMP PARK<br>(WIE)                     |
| AAN<br>14 YEL             | CHASSIS SUPPLIED WIRE ASM<br>(PURPLE) (GM)                  | LEFT TAIL LAMP PARK<br>(WIE)                      |
| AAP<br>10 YEL             | 55 AMP BREAKER<br>JUMPER WIRE                               | 30 AMP BREAKER                                    |
| AAR<br>14 YEL             | TV/RADIO SPEAKER FEED<br>SELECTOR SWITCH                    | TV SPEAKER AMPLIFIER                              |

| WIRE IDENTIFICATION CHART |   |  |
|---------------------------|---|--|
| CODE/COLOR                | FROM:   | TO:  |
| AAS<br>16 YEL             | SPEAKER (NEGATIVE)<br>SPEAKERS IN SERIES          | SPEAKER (POSITIVE)                         |
| AAT<br>16 YEL             | AMPLIFIER POSITIVE OUT<br>(AAU NEGATIVE)          | FRONT WOOFER<br>(WITH DELUXE SOUND SYSTEM) |
| AAU<br>16 WHT             | AMPLIFIER NEGATIVE OUT<br>(AAT POSITIVE)          | FRONT WOOFER<br>(WITH DELUXE SOUND SYSTEM) |
| AAW<br>16 YEL             | AMPLIFIER POSITIVE OUT<br>(AAX NEGATIVE)          | REAR WOOFER<br>(WITH DELUXE SOUND SYSTEM)  |
| AAX<br>16 WHT             | AMPLIFIER NEGATIVE OUT<br>(AAW POSITIVE)          | REAR WOOFER<br>(WITH DELUXE SOUND SYSTEM)  |
| AAZ<br>12 YEL             | SLIDEOUT ROOM CONTROL SWITCH<br>(RAM #1)          | SLIDEOUT DRIVE MOTOR<br>LEAD #1            |
| AAZ<br>12 YEL             | SLIDEOUT ROOM CONTROL SWITCH<br>(RAM #1)          | SLIDEOUT DRIVE MOTOR<br>LEAD #2            |
| BBA<br>16 WHT             | SLIDEOUT WIRING<br>(PARK BRAKE SW) (SWITCHED GRD) | SLIDEOUT ROOM RELAY<br>(GROUND TERMINAL)   |
| BBB<br>16 YEL             | SLIDEOUT ROOM CIRCUIT BREAKER<br>(6 AMP)          | SLIDEOUT ROOM RELAY<br>(PIN 86 & 87)       |
| BBC<br>16 YEL             | LOAD SHEDDER MONITOR PANEL<br>(RED WIRE)          | LOAD SHEDDER CONTROL BOARD<br>(RED WIRE)   |
| BBD<br>16 YEL             | LOAD SHEDDER MONITOR PANEL<br>(BLUE WIRE)         | LOAD SHEDDER CONTROL BOARD<br>(BLUE WIRE)  |
| BBE<br>16 YEL             | LOAD SHEDDER MONITOR PANEL<br>(BLACK WIRE)        | LOAD SHEDDER CONTROL BOARD<br>(BLACK WIRE) |
| BBF<br>16 YEL             | LOAD SHEDDER MONITOR PANEL<br>(GRAY WIRE)         | LOAD SHEDDER CONTROL BOARD<br>(GRAY WIRE)  |
| BBG<br>14 YEL             | DINETTE CEILING LAMP SWITCH                       | DINETTE CEILING LAMP                       |
| BBH<br>16 YEL             | REAR COMPRESSOR SIGNAL<br>REAR THERMOSTAT         | LOAD SHEDDER CONTROL BOARD                 |
| BBJ<br>16 YEL             | LOAD SHEDDER CONTROL BOARD                        | REAR A/C<br>(COOL)                         |
| BBK<br>12 WHT             | JET AIR/TAG AXLE WIRING                           | GROUND, CHASSIS                            |
| BBL<br>14 YEL             | OVHD SWITCH                                       | OVHD HALOGEN LAMPS                         |
| BBM<br>16 YEL             | SLIDEOUT ROOM SWITCH<br>(ROOM TWO EXTEND)         | HWH WIRING<br>(ROOM TWO EXTEND)            |

| WIRE IDENTIFICATION CHART |  |  |
|---------------------------|--|--|
| CODE/COLOR                | FROM:  | TO:  |
| BBN<br>16 YEL             | SLIDEOUT ROOM SWITCH<br>(ROOM TWO RETRACT)           | HWH WIRING<br>(ROOM TWO RETRACT)                 |
| BBP<br>14 YEL             | ICC COURTESY BLINK SWITCH                            | ICC COURTESY BLINK RELAY                         |
| BBR<br>14 YEL             | ICC COURTESY BLINK RELAY                             | CLEARANCE LAMPS                                  |
| BBS<br>14 YEL             | CHASSIS FUSE PANEL                                   | ICC COURTESY BLINK RELAY                         |
| BBT<br>14 YEL             | DOCKING LAMP SWITCH<br>TRIGGER RELAY                 | DOCKING LAMP SWITCH                              |
| BBU<br>12 YEL             | DOCKING LAMP CIRCUIT BREAKER                         | DOCKING LAMP RELAY                               |
| BBW<br>14 YEL             | VEHICLE LEFT HEADLAMP LOW<br>BEAM CIRCUIT            | LEFT LOW BEAM LAMP                               |
| BBX<br>14 YEL             | VEHICLE RIGHT HEADLAMP LOW<br>BEAM CIRCUIT           | RIGHT LOW BEAM LAMP                              |
| BBY<br>14 YEL             | SWITCH-MONITOR PANEL<br>(IN EXT. WATER CENTER)       | EXTERIOR MONITOR PANEL<br>(IN EXT. WATER CENTER) |
| BBZ<br>14 YEL             | OVERCURRENT PROTECTION<br>(15A FUSE/BREAKER TYPICAL) | AUXILIARY FURNACE<br>(CCA)                       |
| CCA<br>14 WHT             | AUXILIARY FURNACE                                    | GROUND   |
| CCB<br>16 YEL             | EXTERIOR MONITOR PANEL                               | WATER TANK LEVEL SENSOR                          |
| CCC<br>16 YEL             | EXTERIOR MONITOR PANEL                               | MAIN HOLDING TANK<br>LEVEL SENSOR                |
| CCD<br>16 YEL             | EXTERIOR MONITOR PANEL                               | AUX HOLDING TANK<br>LEVEL SENSOR                 |
| CCE<br>14 YEL             | COMPARTMENT LAMP SWITCH                              | COMPARTMENT LAMP                                 |
| CCF<br>14 YEL             | COMPARTMENT LAMP SWITCH                              | COMPARTMENT LAMP                                 |
| CCG<br>14 YEL             | COMPARTMENT LAMP SWITCH                              | COMPARTMENT LAMP                                 |
| CCH<br>14 YEL             | COMPARTMENT LAMP SWITCH                              | COMPARTMENT LAMP                                 |
| CCJ<br>14 YEL             | COMPARTMENT LAMP SWITCH                              | COMPARTMENT LAMP                                 |

| WIRE IDENTIFICATION CHART |   |  |
|---------------------------|---|--|
| CODE/COLOR                | FROM:   | TO:  |
| CCK<br>14 YEL             | COMPARTMENT LAMP SWITCH                             | COMPARTMENT LAMP                                   |
| CCL<br>14 YEL             | COMPARTMENT LAMP SWITCH                             | COMPARTMENT LAMP                                   |
| CCM<br>14 YEL             | COMPARTMENT LAMP SWITCH                             | COMPARTMENT LAMP                                   |
| CCN<br>16 YEL             | THERMOSTATE LOW SPEED<br>FAN SIGNAL                 | CENTRAL AIR AND LOAD<br>SHEDDER                    |
| CCP<br>16 YEL             | LOAD SHEDDER COMPRESSOR<br>TWO CONTROL RELAY        | CENTRAL A/C COMPRESSOR<br>TWO                      |
| CCR<br>14 YEL             | SWITCH-MONITOR PANEL<br>(IN EXT. WATER CENTER)      | EXTERIOR MONITOR PANEL<br>(IN EXT. WATER CENTER)   |
| CCS<br>16 YEL             | NOISE FILTER  | RADIO POWER INPUT                                  |
| CCT<br>16 YEL             | REAR RIGHT TV SPEAKER<br>NEGATIVE,SERIES CONNECTION | REAR LEFT TV SPEAKER<br>POSITIVE,SERIES CONNECTION |
| CCU<br>16 YEL             | GM DOME LAMP POWER                                  | DOME LAMP  |
| CCW<br>12 YEL             | DUAL MODE SOLENOID<br>(CHASSIS SIDE)                | FUSE HOLDER<br>(30 AMP)                            |
| CCX<br>16 YEL             | ORG WIRE ON AIR COMPRESSOR                          | AIR PRESSURE SWITCH ON<br>AIR TANK                 |
| CCY<br>16 YEL             | HWH WIRING<br>(BATTERY POWER)                       | SLIDEOUT ROOM SWITCH<br>(POSITIVE)                 |
| CCZ<br>16 YEL             | HWH WIRING<br>(SWITCHED BATTERY POWER)              | SLIDEOUT ROOM #1 SWITCH<br>(POSITIVE)              |
| DDA<br>16 YEL             | HWH WIRING<br>(PUMP RELAY CONTROL)                  | SLIDEOUT ROOM SWITCH<br>(POSITIVE)                 |
| ddb<br>14 YEL             | REAR AUTO HEATER<br>CIRCUIT BREAKER                 | REAR AUTO HEATER<br>RELAY (POWER)                  |
| DDC<br>14 YEL             | REAR AUTO HEATER<br>RELAY (SWITCHED POWER)          | REAR AUTO HEATER SWITCH<br>(COMMON TERMINAL)       |
| DDD<br>14 YEL             | MODULE-CHARGE CONTROL<br>RELAY OUTPUT               | AUX-START SOLENOID RELAY                           |
| DDE<br>14 YEL             | AUX-START SOLENOID RELAY                            | AUX-START SOLENOID                                 |
| DDF<br>10 YEL             | HEATER BLOWER<br>CIRCUIT BREAKER                    | HEATER BLOWER RELAY                                |

| WIRE IDENTIFICATION CHART |  |   |
|---------------------------|--|---|
| CODE/COLOR                | FROM:  | TO:   |
| DDG<br>10 YEL             | CIRCUIT BREAKER<br>BUSS BAR                      | CHASSIS BATTERY FEED<br>CIRCUIT BREAKER             |
| DDH<br>14 YEL             | FREIGHTLINER RUN ONLY<br>TRIGGER CIRCUIT         | HEATER BLOWER RELAY                                 |
| DDJ<br>16 WHT             | CHASSIS PARKING BRAKE<br>TRIGGER CIRCUIT         | LEVELING SYSTEM PARKING<br>BRAKE SENSOR WIRE        |
| DDK<br>16 YEL             | HWH WIRING<br>(PUMP RELAY CONTROL)               | REAR SLIDEOUT ROOM SWITCH<br>(POSITIVE)             |
| DDL<br>14 WHT             | FRONT LEFT AUTOMOTIVE<br>LAMPS                   | GROUND  |
| DDM<br>14 WHT             | FRONT RIGHT AUTOMOTIVE<br>LAMPS                  | GROUND  |
| DDN<br>16 YEL             | TIMER MODULE                                     | CHECK ANTENNA LIGHT                                 |
| DDP<br>12 YEL             | OVERCURRENT PROTECTION<br>(20A BREAKER TYPICAL)  | INVERTER FEED<br>(INVERTER NUMBER 2)                |
| DDR<br>12 WHT             | INVERTER<br>(INVERTER NUMBER 2)                  | GROUND  |
| DDS<br>12 WHT             | INVERTER CHASSIS<br>(INVERTER NUMBER 2)          | GROUND  |
| DDT<br>12 YEL             | POWER COMPT DOOR LOCK RELAY<br>(RIGHT SIDE)      | POWER COMPT DOOR LOCK MOTOR(S)<br>(RIGHT SIDE)      |
| DDU<br>12 WHT             | POWER COMPT DOOR UNLOCK RELAY<br>(RIGHT SIDE)    | POWER COMPT LOCK MOTOR(S)<br>(UNLOCK) (RIGHT SIDE)  |
| DDV<br>12 YEL             | POWER COMPT DOOR LOCK RELAY<br>(LEFT SIDE)       | POWER COMPT LOCK MOTOR(S)<br>(LOCK) (LEFT SIDE)     |
| DDW<br>12 WHT             | POWER COMPT DOOR UNLOCK RELAY<br>(LEFT SIDE)     | POWER COMPT LOCK MOTOR(S)<br>(UNLOCK) (LEFT SIDE)   |
| DDX<br>12 YEL             | OVERCURRENT PROTECTION<br>(20A BREAKER TYPICAL)  | POWER COMPT DOOR LOCK/<br>UNLOCK RELAY (RIGHT SIDE) |
| DDY<br>12 YEL             | OVERCURRENT PROTECTION<br>(20A BREAKER TYPICAL)  | POWER COMPT DOOR LOCK/<br>UNLOCK RELAY (LEFT SIDE)  |
| DDZ<br>12 YEL             | POWER COMPT DOOR LOCK SWITCH<br>(LOCK) (PIN 1)   | POWER COMPT DOOR LOCK RELAY<br>(PIN 86)             |
| EEA<br>12 WHT             | POWER COMPT DOOR LOCK SWITCH<br>(UNLOCK) (PIN 5) | POWER COMPT DOOR UNLOCK RELAY<br>(PIN 86)           |
| EEB<br>12 WHT             | POWER COMPT DOOR LOCK RELAYS<br>(LEFT SIDE)      | GROUND  |

| WIRE IDENTIFICATION CHART |   |  |
|---------------------------|---|--|
| CODE/COLOR                | FROM:   | TO:  |
| EEC<br>12 YEL             | 25 AMP BREAKER<br>IN 12 VOLT PANEL              | SOFA RECLINER SWITCH<br>SOFA 4-WAY RECLINER      |
| EED<br>12 WHT             | SOFA RECLINER SWITCH<br>SOFA 4-WAY RECLINER     | GROUND   |
| EEE<br>14 YEL             | OVERCURRENT PROTECTION<br>(15A BREAKER TYPICAL) | 12V POWER JACK                                   |
| EEF<br>14 WHT             | 12V POWER JACK                                  | GROUND   |
| EEG<br>12 WHT             | POWER COMPT DOOR LOCK RELAYS<br>(RIGHT SIDE)    | GROUND   |
| EEH<br>12 YEL             | SOFA RECLINER SWITCH<br>EXTEND                  | SOFA RECLINER MOTOR<br>SOFA 4-WAY                |
| EEJ<br>12 YEL             | SOFA RECLINER SWITCH<br>RETRACT                 | SOFA RECLINER MOTOR<br>SOFA 4-WAY                |
| EEK<br>18 YEL             | AUDIO AMPLIFIER                                 | LH FRT SPKR (+)                                  |
| EEL<br>18 WHT             | AUDIO AMPLIFIER                                 | LH FRT SPKR (-)                                  |
| EEM<br>18 YEL             | AUDIO AMPLIFIER                                 | RH FRT SPKR (+)                                  |
| EEN<br>18 WHT             | AUDIO AMPLIFIER                                 | RH FRT SPKR (-)                                  |
| EEP<br>18 YEL             | AUDIO AMPLIFIER                                 | LH RR SPKR (+)                                   |
| EER<br>18 WHT             | AUDIO AMPLIFIER                                 | LH RR SPKR (-)                                   |
| EES<br>18 YEL             | AUDIO AMPLIFIER                                 | RH RR SPKR (+)                                   |
| EET<br>18 WHT             | AUDIO AMPLIFIER                                 | RH RR SPKR (-)                                   |
| EEU<br>18 YEL             | AUDIO AMPLIFIER                                 | CTR CHANNEL SPKR (+)                             |
| EEW<br>18 WHT             | AUDIO AMPLIFIER                                 | CTR CHANNEL SPKR (-)                             |
| EEY<br>12/10 YEL          | PASSENGER AUTO A/C<br>FEED CIRCUIT              | PASSENGER AUTO A/C BLOWER<br>(USE 10 IF OVER 6') |
| EEZ<br>10 WHT             | PASSENGER AUTO A/C<br>MOTOR                     | GROUND   |

| WIRE IDENTIFICATION CHART |   |   |
|---------------------------|---|---|
| CODE/COLOR                | FROM:   | TO:   |
| EEZ<br>12/10 YEL          | OVERCURRENT PROTECTION<br>(30A BREAKER TYPICAL) | PASSENGER HI-SPEED HEATER FAN<br>(USER 10 IF OVER 6') |
| FFA<br>10 YEL             | PASSENGER HEATER BLOWER<br>CIRCUIT BREAKER      | PASSENGER HEATER<br>BLOWER RELAY                      |
| FFB<br>10 YEL             | OVERCURRENT PROTECTION<br>(30A BREAKER TYPICAL) | POWER LOUNGE CHAIR                                    |
| FFC<br>10 WHT             | POWER LOUNGE CHAIR                              | GROUND  |
| FFD<br>12 YEL             | OVERCURRENT PROTECTION<br>(30A BREAKER TYPICAL) | AWNING CONTROL BOX<br>(12V POSITIVE)                  |
| FFE<br>12 WHT             | AWNING CONTROL BOX                              | GROUND  |
| FFF<br>12 YEL             | AWNING CONTROL BOX                              | DOOR AWNING<br>(MOTOR POSITIVE)                       |
| FFG<br>12 WHT             | DOOR AWNING<br>(MOTOR GROUND)                   | AWNING CONTROL BOX                                    |
| FFH<br>12 YEL             | AWNING CONTROL BOX                              | PATIO AWNING<br>(MOTOR POSITIVE)                      |
| FFJ<br>12 WHT             | PATIO AWNING<br>(MOTOR GROUND)                  | AWNING CONTROL BOX                                    |
| FFK<br>16 YEL             | AWNING CONTROL BOX                              | DOOR AWNING SWITCH<br>(EXTEND)                        |
| FFL<br>16 YEL             | DOOR AWNING SWITCH<br>(COMMON)                  | AWNING CONTROL BOX                                    |
| FFM<br>16 YEL             | AWNING CONTROL BOX                              | DOOR AWNING SWITCH<br>(RETRACT)                       |
| FFN<br>16 YEL             | AWNING CONTROL BOX                              | PATIO AWNING SWITCH<br>(EXTEND)                       |
| FFP<br>16 YEL             | PATIO AWNING SWITCH<br>(COMMON)                 | AWNING CONTROL BOX                                    |
| FFR<br>16 YEL             | AWNING CONTROL BOX                              | PATIO AWNING SWITCH<br>(RETRACT)                      |
| FFS<br>14 WHT             | RELAY<br>(PIN 30)                               | AWNING CONTROL BOX                                    |
| FFT<br>14 WHT             | PATIO AWNING SWITCH                             | AWNING CONTROL BOX                                    |
| FFU<br>16 YEL             | AWNING SELECTOR SWITCH<br>(DOOR AWNING)         | AWNING CONTROL SWITCH<br>(DOOR AWNING)                |

| WIRE IDENTIFICATION CHART |  |   |
|---------------------------|--|---|
| CODE/COLOR                | FROM:  | TO:   |
| FFV<br>16 YEL             | AWNING SELECTOR SWITCH<br>(PATIO AWNING)             | AWNING CONTROL SWITCH<br>(PATIO AWNING)     |
| FFW<br>14 YEL             | LOUNGE LAMPS SWITCH #1                               | LOUNGE LAMPS SWITCH #2                      |
| FFX<br>14 YEL             | LOUNGE LAMPS SWITCH #1                               | LOUNGE LAMPS SWITCH #2                      |
| FFY<br>14 YEL             | CEILING FAN SWITCH                                   | CEILING FAN                                 |
| FFZ<br>14 YEL             | OVERCURRENT PROTECTION<br>(15A FUSE/BREAKER TYPICAL) | COACH LIGHTING, ETC<br>CIRCUIT #7 (REF GGA) |
| GGA<br>14 WHT             | COACH LIGHTING<br>(REF-FFZ)                          | GROUND                                      |
| GGB<br>14 YEL             | POWER LIFT VENT                                      | POWER LIFT SWITCH<br>(UP)                   |
| GGC<br>14 YEL             | POWER LIFT VENT                                      | POWER LIFT SWITCH<br>(DOWN)                 |
| GGD<br>16 YEL             | CONTROL MODULE<br>(LEFT FRONT SLIDE) (STOP)          | SLIDEOUT SWITCH<br>(LEFT FRONT SLIDE)       |
| GGE<br>16 YEL             | CONTROL MODULE<br>(LEFT FRONT SLIDE) (GREEN LED)     | SLIDEOUT SWITCH<br>(LEFT FRONT SLIDE)       |
| GGF<br>16 YEL             | CONTROL MODULE<br>(LEFT FRONT SLIDE) (RED LED)       | SLIDEOUT SWITCH<br>(LEFT FRONT SLIDE)       |
| GGG<br>16 YEL             | CONTROL MODULE<br>(LEFT FRONT SLIDE) (SIGNAL)        | LEFT FRONT SLIDE, FRONT RAM<br>(ENCODER)    |
| GGH<br>16 YEL             | CONTROL MODULE<br>(LEFT FRONT SLIDE) (+)             | LEFT FRONT SLIDE, FRONT RAM<br>(ENCODER)    |
| GGJ<br>16 WHT             | CONTROL MODULE<br>(LEFT FRONT SLIDE) (-)             | LEFT FRONT SLIDE, FRONT RAM<br>(ENCODER)    |
| GGK<br>16 YEL             | CONTROL MODULE<br>(LEFT FRONT SLIDE) (SIGNAL)        | LEFT FRONT SLIDE, REAR RAM<br>(ENCODER)     |
| GGL<br>16 YEL             | CONTROL MODULE<br>(LEFT FRONT SLIDE) (+)             | LEFT FRONT SLIDE, REAR RAM<br>(ENCODER)     |
| GGM<br>16 WHT             | CONTROL MODULE<br>(LEFT FRONT SLIDE) (-)             | LEFT FRONT SLIDE, REAR RAM<br>(ENCODER)     |
| GGN<br>12 YEL             | CONTROL MODULE<br>(RAM #2)                           | SLIDEOUT ACTUATOR DRIVE<br>LEAD #1          |
| GGP<br>12 YEL             | CONTROL MODULE<br>(RAM #2)                           | SLIDEOUT ACTUATOR DRIVE<br>LEAD #2          |

| WIRE IDENTIFICATION CHART |  |   |
|---------------------------|--|---|
| CODE/COLOR                | FROM:  | TO:   |
| GGR<br>16 YEL             | FRONT ROOF HEAT PUMP                                 | THERMOSTAT<br>(W TERMINAL)                  |
| GGS<br>16 YEL             | REAR ROOF HEAT PUMP                                  | THERMOSTAT<br>(W TERMINAL)                  |
| GGT<br>12 YEL             | SOFA RECLINER<br>SWITCH EXTEND                       | SOFA RECLINER MOTOR<br>SOFA 4-WAY           |
| GGU<br>12 YEL             | SOFA RECLINER<br>SWITCH RETRACT                      | SOFA RECLINER MOTOR<br>SOFA 4-WAY           |
| GGV<br>14 WHT             | GPS<br>(BLACK WIRE)                                  | GROUND                                      |
| GGW<br>16 YEL             | GPS<br>(GREEN/WHITE WIRE)                            | VEHICLE SPEED SENSOR<br>(CHASSIS SUPPLIED)  |
| GGX<br>14 YEL             | 10 OHM RESISTOR<br>*                                 | BEDROOM CEILING FAN<br>(LOW SPEED)          |
| GGY<br>14 YEL             | BATHROOM VENT SWITCH                                 | BATHROOM VENT                               |
| GGZ<br>14 YEL             | BEDROOM VENT SWITCH                                  | BEDROOM VENT                                |
| HHA<br>14 YEL             | OVERCURRENT PROTECTION<br>(15A FUSE/BREAKER TYPICAL) | COACH VENTS/LAMPS<br>(REF HHB)              |
| HHB<br>14 WHT             | COACH VENTS/LAMPS<br>(REF HHA)                       | GROUND                                      |
| HHC<br>12 YEL             | STEP COVER SWITCH                                    | STEP COVER MOTOR<br>(+)RETRACT, (-)EXTEND   |
| HHD<br>12 YEL             | STEP COVER SWITCH                                    | STEP COVER MOTOR<br>(-)EXTEND, (+)RETRACT   |
| HHE<br>16 YEL             | SLIDEOUT ROOM SWITCH<br>(ROOM THREE EXTEND)          | HWH WIRING<br>(ROOM THREE EXTEND)           |
| HHF<br>16 YEL             | SLIDEOUT ROOM SWITCH<br>(ROOM THREE RETRACT)         | HWH WIRING<br>(ROOM THREE RETRACT)          |
| HHG<br>16 YEL             | SLIDEOUT ROOM SWITCH<br>(ROOM FOUR EXTEND)           | HWH WIRING<br>(ROOM FOUR EXTEND)            |
| HHH<br>16 YEL             | SLIDEOUT ROOM SWITCH<br>(ROOM FOUR RETRACT)          | SLIDEOUT ROOM SWITCH<br>(ROOM FOUR RETRACT) |
| HHJ<br>14 YEL             | 110V WATER HEATER TRIGGER<br>SWITCH                  | WATER HEATER RELAY                          |
| HHK<br>14 YEL             | DRIVER'S POWER<br>SUNVISOR SWITCH                    | DRIVER'S POWER SUNVISOR                     |

| WIRE IDENTIFICATION CHART |   |  |
|---------------------------|---|--|
| CODE/COLOR                | FROM:                                       | TO:  |
| HHL<br>14 YEL             | DRIVER'S POWER<br>SUNVISOR SWITCH           | DRIVER'S POWER SUNVISOR                        |
| HHM<br>14 YEL             | PASS POWER<br>SUNVISOR SWITCH               | PASS POWER SUNVISOR                            |
| HHN<br>14 YEL             | PASS POWER<br>SUNVISOR SWITCH               | PASS POWER SUNVISOR                            |
| HHP<br>14 YEL             | HOT WATER HEAT<br>CONTROL BOARD (F1)        | ZONE 1 FAN<br>SPEED SWITCH                     |
| HHR<br>14 YEL             | ZONE 1 FAN<br>SPEED SWITCH                  | ZONE 1<br>HEATER FAN                           |
| HHS<br>16 YEL             | HOT WATER HEAT<br>CONTROL BOARD (TC)        | ZONE 2 & 3<br>THERMOSTAT                       |
| HHT<br>16 YEL             | HOT WATER HEAT<br>CONTROL BOARD (T2)        | ZONE 2<br>THERMOSTAT                           |
| HHU<br>14 YEL             | HOT WATER HEAT<br>CONTROL BOARD (F2)        | ZONE 2 FAN<br>SPEED SWITCH                     |
| HHV<br>14 YEL             | ZONE 2 FAN<br>SPEED SWITCH                  | ZONE 2<br>HEATER FAN                           |
| HHW<br>16 YEL             | HOT WATER HEAT<br>CONTROL BOARD (T3)        | ZONE 3<br>THERMOSTAT                           |
| HHX<br>14 YEL             | HOT WATER HEAT<br>CONTROL BOARD (F3)        | ZONE 3<br>HEATER FAN                           |
| HHY<br>16 WHT             | AWNING CONTROL BOX                          | WIND SENSOR<br>(NEGATIVE)                      |
| HHZ<br>16 YEL             | AWNING CONTROL BOX                          | WIND SENSOR<br>(POSITIVE)                      |
| JJA<br>16 YEL             | AWNING CONTROL BOX                          | WIND SENSOR<br>TEMPERATURE OUTPUT              |
| JJB<br>16 YEL             | AWNING CONTROL BOX                          | WIND SENSOR<br>SPEED OUTPUT                    |
| JJC<br>14 YEL             | ENGINE HEATER CIRCULATING<br>PUMP SWITCH    | HOT WATER HEAT CONTROL PANEL<br>(BLU/BLK WIRE) |
| JJD<br>10 YEL             | OVERCURRENT PROTECTION<br>(25 FUSE TYPICAL) | HOT WATER HEAT<br>CONTROL BOARD                |
| JJE<br>10 WHT             | HOT WATER HEAT<br>CONTROL BOARD             | GROUND   |
| JJF<br>14 YEL             | SATELLITE POWER SWITCH                      | SATELLITE-AUTO SEEK                            |

| WIRE IDENTIFICATION CHART |  |   |
|---------------------------|--|---|
| CODE/COLOR                | FROM:  | TO:   |
| JJG<br>12 YEL             | OVERCURRENT PROTECTION<br>(20 AMP BREAKER TYPICAL)   | SLIDEOUT ROOM CONTROL SWITCH<br>(RAM #3)                    |
| JJH<br>12 WHT             | SLIDEOUT ROOM CONTROL SWITCH<br>(RAM #3)             | GROUND  |
| JJJ<br>12 YEL             | SLIDEOUT ROOM CONTROL SWITCH<br>(RAM #3)             | SLIDEOUT DRIVE MOTOR<br>LEAD #1                             |
| JJK<br>12 YEL             | SLIDEOUT ROOM CONTROL SWITCH<br>(RAM #3)             | SLIDEOUT DRIVE MOTOR<br>LEAD #2                             |
| JJL<br>12 YEL             | OVERCURRENT PROTECTION<br>(20 AMP BREAKER TYPICAL)   | SLIDEOUT ROOM CONTROL SWITCH<br>(RAM #2)                    |
| JJM<br>16 YEL             | HWH WIRING<br>(SWITCHED BATTERY POWER)               | SLIDEOUT ROOM SWITCH #2<br>(SWITCHED EXTEND/RETRACT PWR)    |
| JJN<br>16 YEL             | HWH WIRING<br>(SWITCHED BATTERY POWER)               | SLIDEOUT ROOM SWITCH #3<br>(SWITCHED EXTEND/RETRACT PWR)    |
| JJP<br>16 YEL             | HWH WIRING<br>(SWITCHED BATTERY POWER)               | SLIDEOUT ROOM SWITCH #4<br>(SWITCHED EXTEND/RETRACT PWR)    |
| JJR<br>16 YEL             | REMOTE SWITCH<br>(EXTEND)                            | PATIO AWNING CONTROL MODULE<br>(RELAY POSITION 87A, EXTEND) |
| JJS<br>12 YEL             | REMOTE SWITCH  | DOOR AWNING CONTROL RELAY<br>(RELAY POSITION 87A, EXTEND)   |
| JJT<br>14 YEL             | OVERCURRENT PROTECTION<br>(15A FUSE/BREAKER TYPICAL) | COACH 12V RECEPTACLES<br>(REF JJU)                          |
| JJU<br>14 WHT             | COACH 12V RECEPTACLES<br>(REF JJT)                   | GROUND  |
| JJV<br>14 YEL             | MONITOR PANEL LAMP SWITCH                            | MONITOR PANEL LAMP  |
| JJW<br>14 YEL             | RUN ONLY POWER BREAKER                               | RUN ONLY POWER RELAY  |
| JJX<br>14 YEL             | RUN ONLY POWER RELAY                                 | GENERAL PURPOSE<br>(RUN ONLY FEED)                          |
| JJY<br>14 YEL             | RUN/ACC POWER #1 BREAKER                             | RUN/ACC POWER #1 RELAY                                      |
| JJZ<br>14 YEL             | RUN/ACC POWER #1 RELAY<br>(REF LLD)                  | GENERAL PURPOSE<br>(RUN/ACC FEED #1)                        |
| KKA<br>14 YEL             | RUN/ACC POWER #2 BREAKER                             | RUN/ACC POWER #2 RELAY                                      |
| KKB<br>14 YEL             | RUN/ACC POWER #2 RELAY<br>(REF LLE)                  | GENERAL PURPOSE<br>(RUN/ACC FEED #2)                        |

| WIRE IDENTIFICATION CHART |   |   |
|---------------------------|---|---|
| CODE/COLOR                | FROM:   | TO:   |
| KKC<br>12 YEL             | POWER SEAT RELAY                                      | POWER SEAT<br>(HEATER)                                |
| KKD<br>16 YEL             | CONFIRMATION EMERGENCY<br>SHUT OFF SWITCH (IN COACH)  | EMERGENCY SHUT OFF SWITCH<br>(ON REMOTE FILL BRACKET) |
| KKE<br>16 YEL             | EMERGENCY SHUT OFF SWITCH<br>(ON REMOTE FILL BRACKET) | EMERGENCY SHUT OFF SOLENOID<br>(ON LP TANK)           |
| KKF<br>6 BLK              | BATTERY DISCONNECT RELAY                              | COACH BUSS BAR  |
| KKG<br>8 BLK              | BATTERY MODE SOLENOID                                 | CHASSIS BUSS BAR                                      |
| KKH<br>14 YEL             | EXTERIOR SERVICE LAMP<br>SWITCH #1                    | EXTERIOR SERVICE LAMP<br>SWITCH #2                    |
| KKJ<br>14 YEL             | EXTERIOR SERVICE LAMP<br>SWITCH #1                    | EXTERIOR SERVICE LAMP<br>SWITCH #2                    |
| KKK<br>16 YEL             | HWH WIRING<br>(SWITCHED BATTERY POWER)                | SLIDEOUT ROOM #2 SWITCH<br>(POSITIVE)                 |
| KKL<br>16 YEL             | HWH WIRING<br>(SWITCHED BATTERY POWER)                | SLIDEOUT ROOM #3 SWITCH<br>(POSITIVE)                 |
| KKM<br>16 YEL             | HWH WIRING<br>(SWITCHED BATTERY POWER)                | SLIDEOUT ROOM #4 SWITCH<br>(POSITIVE)                 |
| KKN<br>14 YEL             | KEYLESS ENTRY PORCH<br>LIGHT OUTPUT                   | PORCH/STEP/MAP LAMP                                   |
| KKP<br>14 YEL             | LOUNGE CEILING ROPE<br>LAMP SWITCH (CIRCUIT #1)       | LOUNGE CEILING ROPE<br>LAMP (REF CIRCUIT SSZ)         |
| KKR<br>14 YEL             | BEDROOM CEILING ROPE<br>LAMP SWITCH                   | BEDROOM CEILING ROPE<br>LAMP                          |
| KKS<br>14 YEL             | BEDROOM VALANCE LAMP SWITCH                           | BEDROOM VALANCE LAMP                                  |
| KKT<br>14 YEL             | BEDROOM "MOOD" LAMP SWITCH                            | BEDROOM "MOOD" LAMP                                   |
| KKU<br>16 YEL             | REAR TV SPEAKER OUTPUT<br>(RIGHT POSITIVE)            | RIGHT SPEAKER<br>(POSITIVE)                           |
| KKV<br>16 WHT             | REAR TV SPEAKER OUTPUT<br>(RIGHT NEGATIVE)            | RIGHT SPEAKER<br>(NEGATIVE)                           |
| KKW<br>16 YEL             | REAR TV SPEAKER OUTPUT<br>(LEFT POSITIVE)             | LEFT SPEAKER<br>(POSITIVE)                            |
| KKX<br>16 WHT             | REAR TV SPEAKER OUTPUT<br>(LEFT NEGATIVE)             | LEFT SPEAKER<br>(NEGATIVE)                            |

| WIRE IDENTIFICATION CHART |  |  |
|---------------------------|--|--|
| CODE/COLOR                | FROM:  | TO:  |
| KKY<br>14 YEL             | OVERCURRENT PROTECTION<br>(15A FUSE/BREAKER TYPICAL) | COACH LIGHTING,ETC<br>CIRCUIT #8 (REF KKZ) |
| KKZ<br>14 WHT             | COACH LIGHTING<br>(REF KKY)                          | GROUND                                     |
| LLA<br>14 YEL             | OVERCURRENT PROTECTION<br>(15A FUSE/BREAKER TYPICAL) | COACH LIGHTING,ETC<br>CIRCUIT #9 (REF LLB) |
| LLB<br>14 WHT             | COACH LIGHTING<br>(REF LLA)                          | GROUND                                     |
| LLC<br>14 YEL             | SEAT HEATER BREAKER<br>(15 AMP BREAKER TYPICAL)      | SEAT HEATER RELAY<br>POSITION 30           |
| LLD<br>14 WHT             | RUN/ACC FEED #1<br>(REF JJZ)                         | GROUND                                     |
| LLE<br>14 WHT             | RUN/ACC FEED #2<br>(REF KKB)                         | GROUND                                     |
| LLF<br>14 YEL             | DOME LAMP RELAY                                      | DOME LAMP                                  |
| LLG<br>10/12 YEL          | TRAILER BRAKE SIGNAL<br>(OUTPUT FROM CONTROLLER)     | TRAILER CONNECTOR<br>(ELECTRIC BRAKES)     |
| LLH<br>14 WHT             | RUN ONLY GROUND SOURCE<br>(CHASSIS SUPPLIED)         | AUX START RELAY                            |
| LLJ<br>14 YEL             | AUX START RELAY<br>(RUN ONLY POWER)                  | AUX START SWITCH                           |
| LLK<br>10 YEL             | CHASSIS BREAKER PANEL<br>(LH FRT SLIDE)(FRT RAM)     | CONTROL MODULE<br>(LH FRT SLIDE)           |
| LLL<br>10 WHT             | CHASSIS GROUND BAR<br>(LH FRT SLIDE)(FRT RAM)        | CONTROL MODULE<br>(LH FRT SLIDE)           |
| LLM<br>10 YEL             | CHASSIS BREAKER PANEL<br>(LH FRT SLIDE)(REAR RAM)    | CONTROL MODULE<br>(LH FRT SLIDE)           |
| LLN<br>10 WHT             | CHASSIS GROUND BAR<br>(LH FRT SLIDE)(REAR RAM)       | CONTROL MODULE<br>(LH FRT SLIDE)           |
| LLP<br>10 YEL             | CHASSIS BREAKER PANEL<br>(REAR SLIDE RAM)            | CONTROL MODULE<br>(REAR SLIDE)             |
| LLR<br>10 WHT             | CHASSIS GROUND BAR<br>(REAR SLIDE RAM)               | CONTROL MODULE<br>(REAR SLIDE)             |
| LLS<br>10 YEL             | CONTROL MODULE<br>(LEFT FRONT SLIDE)                 | LT FRT SLIDE FRT RAM<br>(MOTOR DRIVE LINE) |
| LLT<br>10 YEL             | CONTROL MODULE<br>(LEFT FRONT SLIDE)                 | LT FRT SLIDE FRT RAM<br>(MOTOR DRIVE LINE) |

| WIRE IDENTIFICATION CHART |  |  |
|---------------------------|--|--|
| CODE/COLOR                | FROM:  | TO:  |
| LLU<br>10 YEL             | CONTROL MODULE<br>(LEFT FRONT SLIDE)                 | LT FRT SLIDE RR RAM<br>(MOTOR DRIVE LINE)          |
| LLV<br>10 YEL             | CONTROL MODULE<br>(REAR SLIDE)                       | REAR SLIDEOUT RAM<br>(MOTOR DRIVE LINE)            |
| LLW<br>10 YEL             | CONTROL MODULE<br>(LEFT FRONT SLIDE)                 | LT FRT SLIDE RR RAM<br>(MOTOR DRIVE LINE)          |
| LLX<br>10 YEL             | CONTROL MODULE<br>(REAR SLIDE)                       | REAR SLIDEOUT RAM<br>(MOTOR DRIVE LINE)            |
| LLY<br>16 WHT             | CONTROL MODULE<br>(REAR SLIDE)(GROUND)               | SLIDEOUT SWITCH<br>(REAR SLIDEOUT)                 |
| LLZ<br>16 YEL             | CONTROL MODULE<br>(REAR SLIDE)(RETRACT)              | SLIDEOUT SWITCH<br>(REAR SLIDEOUT)                 |
| MMA<br>16 YEL             | CONTROL MODULE<br>(REAR SLIDE)(STOP)                 | SLIDEOUT SWITCH<br>(REAR SLIDEOUT)                 |
| MMB<br>16 YEL             | CONTROL MODULE<br>(REAR SLIDE)(GREEN LED)            | SLIDEOUT SWITCH<br>(REAR SLIDEOUT)                 |
| MMC<br>16 YEL             | CONTROL MODULE<br>(REAR SLIDE)(EXTEND)               | SLIDEOUT SWITCH<br>(REAR SLIDEOUT)                 |
| MMD<br>16 YEL             | CONTROL MODULE<br>(REAR SLIDE)(RED LED)              | SLIDEOUT SWITCH<br>(REAR SLIDEOUT)                 |
| MME<br>10 YEL             | CHASSIS SIDE OF SOLENOID<br>(FRT LT/REAR SLIDE RAMS) | BREAKER PANEL BUSS BAR<br>(FRT LT/REAR SLIDE RAMS) |
| MMF<br>10 YEL             | CHASSIS SIDE OF SOLENOID<br>(FRT RT SLIDE RAMS)      | BREAKER PANEL BUSS BAR<br>(FRT RT SLIDE RAMS)      |
| MMG<br>10 YEL             | CHASSIS SIDE OF SOLENOID<br>(REAR SLIDE RAM)         | BREAKER PANEL<br>(REAR SLIDE RAM)                  |
| MMH<br>16 YEL             | OVERCURRENT PROTECTION<br>(6 AMP BREAKER TYPICAL)    | POWER SUNVISOR SWITCH                              |
| MMJ<br>16 WHT             | GROUND   | POWER SUNVISOR SWITCH                              |
| MMK<br>16 YEL             | BEDROOM STEREO<br>(LEFT SPEAKER REF)                 | CROSS OVER BOX<br>(POSITIVE)                       |
| MML<br>16 WHT             | BEDROOM STEREO<br>(LEFT SPEAKER REF)                 | CROSS OVER BOX<br>(NEGATIVE)                       |
| MMM<br>16 YEL             | BEDROOM STEREO<br>(RIGHT SPEAKER REF)                | CROSS OVER BOX<br>(POSITIVE)                       |
| MMN<br>16 WHT             | BEDROOM STEREO<br>(RT/WOOFER SPKER REF)              | CROSS OVER BOX<br>(NEGATIVE)                       |



| WIRE IDENTIFICATION CHART |  |  |
|---------------------------|--|--|
| CODE/COLOR                | FROM:                                    | TO:                                      |
| MMP<br>16 YEL             | CROSS OVER COIL<br>(POSITIVE)            | SUBWOOFER<br>(BEDROOM)                   |
| MMR<br>14 YEL             | CHASSIS TOW MARKER LAMPS<br>CIRCUIT      | TRAILER CONNECTOR<br>(TAIL/MARKER LAMPS) |
| MMS<br>12 YEL             | +12V                                     | PASSENGER AC/HEATER<br>CONTROLS          |
| MMT<br>12 YEL             | PASSENGER FAN SWITCH<br>(LOW SPEED)      | PASSENGER FAN                            |
| MMU<br>12 YEL             | PASSENGER FAN SWITCH<br>(MED SPEED)      | PASSENGER FAN                            |
| MMV<br>12 YEL             | PASSENGER FAN SWITCH<br>(HIGH SPEED)     | PASSENGER FAN                            |
| MMW<br>16 YEL             | +12V                                     | PASSENGER CONTROL<br>PANEL LAMPS         |
| MMX<br>16 WHT             | PASSENGER CONTROL<br>PANEL LAMPS         | GROUND                                   |
| MMY<br>16 WHT             | PASSENGER TEMP AND<br>VENT CONTROL       | GROUND                                   |
| MMZ<br>12 YEL             | SLIDEOUT ROOM CONTROL SWITCH<br>(RAM #1) | SLIDEOUT DRIVE MOTOR<br>LEAD #1          |
| NNA<br>12 YEL             | SLIDEOUT ROOM CONTROL SWITCH<br>(RAM #1) | SLIDEOUT DRIVE MOTOR<br>LEAD #2          |
| NNB<br>16 YEL             | CONTROL MODULE<br>(FRONT SLIDE) (SIGNAL) | FRONT SLIDE FRONT RAM<br>(ENCODER)       |
| NNC<br>16 YEL             | CONTROL MODULE<br>(FRONT SLIDE) (+)      | FRONT SLIDE FRONT RAM<br>(ENCODER)       |
| NND<br>16 WHT             | CONTROL MODULE<br>(FRONT SLIDE) (-)      | FRONT SLIDE FRONT RAM<br>(ENCODER)       |
| NNE<br>16 YEL             | CONTROL MODULE<br>(FRONT SLIDE) (SIGNAL) | FRONT SLIDE REAR RAM<br>(ENCODER)        |
| NNF<br>16 YEL             | CONTROL MODULE<br>(FRONT SLIDE) (+)      | FRONT SLIDE REAR RAM<br>(ENCODER)        |
| NNG<br>16 WHT             | CONTROL MODULE<br>(FRONT SLIDE) (-)      | FRONT SLIDE REAR RAM<br>(ENCODER)        |
| NNH<br>12 YEL             | CONTROL MODULE<br>(RAM #2)               | SLIDEOUT ACTURATOR DRIVE<br>LEAD #1      |
| NNJ<br>12 YEL             | CONTROL MODULE<br>(RAM #2)               | SLIDEOUT ACTURATOR DRIVE<br>LEAD #2      |

| WIRE IDENTIFICATION CHART |  |  |
|---------------------------|--|--|
| CODE/COLOR                | FROM:  | TO:  |
| NNK<br>16 YEL             | KEYLESS ENTRY TOUCH<br>PAD SIGNAL                  | ENTRANCE DOOR<br>TOUCH PAD                 |
| NNL<br>16 YEL             | PASSENGER TEMP CONTROL<br>(CONTROL OUT)            | PASSENGER AC/HEATER                        |
| NNM<br>16 YEL             | PASSENGER VENT CONTROL<br>(CONTROL OUT)            | PASSENGER VENT                             |
| NNN<br>16 YEL             | CONTROL MODULE<br>(RIGHT FRONT SLIDE) (STOP)       | SLIDEOUT SWITCH<br>(RIGHT FRONT SLIDE)     |
| NNP<br>16 YEL             | CONTROL MODULE<br>(RIGHT FRONT SLIDE) (GREEN LED)  | SLIDEOUT SWITCH<br>(RIGHT FRONT SLIDE)     |
| NNR<br>16 YEL             | CONTROL MODULE<br>(RIGHT FRONT SLIDE) (RED LED)    | SLIDEOUT SWITCH<br>(RIGHT FRONT SLIDE)     |
| NNS<br>16 WHT             | CONTROL MODULE<br>(RIGHT FRONT SLIDE) (GROUND)     | SLIDEOUT SWITCH<br>(RIGHT FRONT SLIDEOUT)  |
| NNT<br>16 YEL             | CONTROL MODULE<br>(RIGHT FRONT SLIDE) (SIGNAL)     | RIGHT FRONT SLIDE, FRONT RAM<br>(ENCODER)  |
| NNU<br>16 YEL             | CONTROL MODULE<br>(RIGHT FRONT SLIDE) (+)          | RIGHT FRONT SLIDE, FRONT RAM<br>(ENCODER)  |
| NNV<br>16 WHT             | CONTROL MODULE<br>(RIGHT FRONT SLIDE) (-)          | RIGHT FRONT SLIDE, FRONT RAM<br>(ENCODER)  |
| NNW<br>16 YEL             | CONTROL MODULE<br>(RIGHT FRONT SLIDE) (SIGNAL)     | RIGHT FRONT SLIDE, REAR RAM<br>(ENCODER)   |
| NNX<br>16 YEL             | CONTROL MODULE<br>(RIGHT FRONT SLIDE) (+)          | RIGHT FRONT SLIDE, REAR RAM<br>(ENCODER)   |
| NNY<br>16 WHT             | CONTROL MODULE<br>(RIGHT FRONT SLIDE) (-)          | RIGHT FRONT SLIDE, REAR RAM<br>(ENCODER)   |
| NNZ<br>10 YEL             | CHASSIS BREAKER PANEL<br>(RH FRT SLIDE) (FRT RAM)  | CONTROL MODULE<br>(RIGHT FRONT SLIDE)      |
| PPA<br>10 WHT             | CHASSIS GROUND BAR<br>(RH FRT SLIDE) (FRT RAM)     | CONTROL MODULE<br>(RIGHT FRONT SLIDE)      |
| PPB<br>10 YEL             | CHASSIS BREAKER PANEL<br>(RH FRT SLIDE) (REAR RAM) | CONTROL MODULE<br>(RIGHT FRONT SLIDE)      |
| PPC<br>10 WHT             | CHASSIS GROUND BAR<br>(RH FRT SLIDE) (REAR RAM)    | CONTROL MODULE<br>(RIGHT FRONT SLIDE)      |
| PPD<br>10 YEL             | CONTROL MODULE<br>(RIGHT FRONT SLIDE)              | RH FRT SLIDE FRT RAM<br>(MOTOR DRIVE LINE) |
| PPE<br>10 YEL             | CONTROL MODULE<br>(RIGHT FRONT SLIDE)              | RH FRT SLIDE FRT RAM<br>(MOTOR DRIVE LINE) |

| WIRE IDENTIFICATION CHART |  |   |
|---------------------------|--|---|
| CODE/COLOR                | FROM:  | TO:   |
| PPF<br>10 YEL             | CONTROL MODULE<br>(RIGHT FRONT SLIDE)                | RH FRT SLIDE RR RAM<br>(MOTOR DRIVE LINE)         |
| PPG<br>10 YEL             | CONTROL MODULE<br>(RIGHT FRONT SLIDE)                | RH FRT SLIDE RR RAM<br>(MOTOR DRIVE LINE)         |
| PPH<br>14 YEL             | CHASSIS CLEARANCE LAMPS CRT #2<br>(REF MM)           | CLEARANCE/MARKER LAMPS                            |
| PPJ<br>14 YEL             | PASSENGER SUNVISOR SWITCH<br>DRIVER'S SIDE           | PASSENGER SUNVISOR SWITCH<br>PASSENGER'S SIDE     |
| PPK<br>14 YEL             | PASSENGER SUNVISOR SWITCH<br>DRIVER'S SIDE           | PASSENGER SUNVISOR SWITCH<br>PASSENGER'S SIDE     |
| PPL<br>14 YEL             | DASH RADIO<br>ACCESSORY POWER                        | TV/RADIO SPEAKER<br>SELECTOR SWITCH               |
| PPM<br>12 YEL             | OVERCURRENT PROTECTION<br>(15A BREAKER TYPICAL)      | LEFT FRONT SLIDEOUT LOCK<br>SWITCH                |
| PPN<br>12 WHT             | LEFT FRONT SLIDEOUT LOCK<br>SWITCH (REF PPM)         | GROUND  |
| PPP<br>12 YEL             | OVERCURRENT PROTECTION<br>(15A BREAKER TYPICAL)      | RIGHT FRONT SLIDEOUT LOCK<br>SWITCH               |
| PPR<br>12 WHT             | RIGHT FRONT SLIDEOUT LOCK<br>SWITCH (REF PPP)        | GROUND  |
| PPS<br>12 YEL             | LEFT FRONT SLIDEOUT LOCK<br>SWITCH                   | LEFT FRONT SLIDEOUT LOCK<br>MOTOR                 |
| PPT<br>12 YEL             | LEFT FRONT SLIDEOUT LOCK<br>SWITCH                   | LEFT FRONT SLIDEOUT LOCK<br>MOTOR                 |
| PPU<br>12 YEL             | RIGHT FRONT SLIDEOUT LOCK<br>SWITCH                  | RIGHT FRONT SLIDEOUT LOCK<br>MOTOR                |
| PPV<br>12 YEL             | RIGHT FRONT SLIDEOUT LOCK<br>SWITCH                  | RIGHT FRONT SLIDEOUT LOCK<br>MOTOR                |
| PPW<br>14 YEL             | SLIDEOUT LOCK SWITCH<br>W/SLIDEOUT SWITCH #1 IN DASH | SLIDEOUT ROOM #1 SWITCH<br>(POSITIVE)             |
| PPX<br>14 YEL             | SLIDEOUT LOCK SWITCH<br>W/SLIDEOUT SWITCH #3 IN DASH | SLIDEOUT ROOM #3 SWITCH<br>(POSITIVE)             |
| PPY<br>14 YEL             | SLIDEOUT LOCK SWITCH<br>W/SLIDEOUT SWITCH #4 IN DASH | SLIDEOUT ROOM #4 SWITCH<br>(POSITIVE)             |
| PPZ<br>12 YEL             | CHASSIS SUPPLIED WIRING                              | TRAILER TOW BATTERY FEED<br>(7 WAY TOW CONNECTOR) |
| RRA<br>14 YEL             | GENERAL SWITCH                                       | GENERAL LAMP                                      |

| WIRE IDENTIFICATION CHART |   |  |
|---------------------------|---|--|
| CODE/COLOR                | FROM:   | TO:  |
| RRB<br>14 YEL             | GENERAL SWITCH                                      | GENERAL LAMP   |
| RRC<br>14 YEL             | GENERAL SWITCH                                      | GENERAL LAMP   |
| RRD<br>14 YEL             | GALLEY CEILING FAN<br>SWITCH                        | GALLEY CEILING FAN                                     |
| RRE<br>14 YEL             | 10 OHM RESISTOR                                     | LOUNGE CEILING FAN<br>(LOW SPEED)                      |
| RRF<br>14 YEL             | BEDROOM READING LAMP SWITCH                         | BEDROOM READING LAMP                                   |
| RRG<br>14 YEL             | BEDROOM READING LAMP SWITCH #1<br>(2 SWITCH SYSTEM) | BEDROOM READING LAMP SWITCH #2<br>(2 SWITCH SYSTEM)    |
| RRH<br>14 YEL             | BEDROOM READING LAMP SWITCH #1<br>(2 SWITCH SYSTEM) | BEDROOM READING LAMP SWITCH #2<br>(2 SWITCH SYSTEM)    |
| RRJ<br>12 WHT             | SEVEN PIN CONNECTOR<br>(TRAILER CONNECTOR)          | GROUND   |
| RRK<br>16 YEL             | 2ND GALLEY HOLDING TANK                             | SELECTOR SWITCH  |
| RRL<br>16 YEL             | HOLDING TANK SELECTOR SWITCH                        | MONITOR PANEL  |
| RRM<br>14 YEL             | CENTER POWER<br>SUNVISOR SWITCH                     | CENTER SUNVISOR  |
| RRN<br>14 YEL             | CENTER POWER<br>SUNVISOR SWITCH                     | CENTER SUNVISOR  |
| RRP<br>16 YEL             | THERMOSTAT (LOW STAGE)                              | FURNACE (LOW STAGE)                                    |
| RRR<br>16 YEL             | THERMOSTAT (HIGH STAGE)                             | FURNACE (HIGH STAGE)                                   |
| RRS<br>16 YEL             | SLIDEOUT LOCK SWITCH (#1)                           | SLIDEOUT LOCK SWITCH (#2)                              |
| RRT<br>16 YEL             | AWNING CONTROL BOX<br>(LOCATED IN HOUSING PIN 1)    | DOOR AWNING LIMIT SWITCH<br>(LOCATED IN HOUSING PIN 1) |
| RRU<br>16 WHT             | AWNING CONTROL BOX<br>(LOCATED IN HOUSING PIN 2)    | DOOR AWNING LIMIT SWITCH<br>(LOCATED IN HOUSING PIN 2) |
| RRV<br>14 YEL             | VIDEO CAMERA SWITCHER                               | MONITOR  |
| RRW<br>14 YEL             | LOCKOUT POSITIONING SWITCH                          | FIREPLACE LOCKOUT RECP                                 |

| WIRE IDENTIFICATION CHART |   |   |
|---------------------------|---|---|
| CODE/COLOR                | FROM:   | TO:   |
| RRX<br>10 YEL             | 12V BREAKER PANEL<br>(30 AMP TYPICAL)               | SMART FUSE BLOCK<br>(POSITIVE)                |
| RRY<br>18 YEL             | SMART FUSE BLOCK<br>(COMMUNICATION BUS)             | SMART FUSE SWITCH PANEL                       |
| RRZ<br>18 WHT             | SMART FUSE BLOCK<br>(COMMUNICATION GROUND)          | SMART FUSE SWITCH PANEL                       |
| SSA<br>14 WHT             | FRONT LEFT SLIDE LOCK<br>(INDICATOR OUTPUT-GROUND)  | FRONT LEFT LOCK SWITCH<br>LED                 |
| SSB<br>14 WHT             | FRONT RIGHT SLIDE LOCK<br>(INDICATOR OUTPUT-GROUND) | FRONT RIGHT LOCK SWITCH<br>LED                |
| SSC<br>14 YEL             | JACK CONTROL PANEL<br>(LEVEL)                       | REMOTE AUTO LEVEL SWITCH                      |
| SSD<br>14 YEL             | JACK CONTROL PANEL<br>(STORE)                       | REMOTE AUTO LEVEL SWITCH                      |
| SSE<br>14 YEL             | JACK CONTROL PANEL<br>(COMMON)                      | REMOTE AUTO LEVEL SWITCH<br>(+)HWH (-)KWIKEE  |
| SSF<br>14 YEL             | JACK CONTROL PANEL<br>(INDICATOR LED)               | REMOTE AUTO LEVEL SWITCH<br>(-)HWH (+)KWIKEE  |
| SSG<br>18 YEL             | TRANSFORMER   | AUTO GENERATOR START<br>MONITOR PANEL         |
| SSH<br>18 WHT             | TRANSFORMER   | AUTO GENERATOR START<br>MONITOR PANEL         |
| SSJ<br>10 YEL             | BRAKE CONTROLLER POWER<br>(30-AMP BREAKER TYPICAL)  | BRAKE CONTROLLER<br>(POWER INPUT)             |
| SSK<br>14 WHT             | BRAKE CONTROLLER<br>(GROUND)                        | GROUND  |
| SSL<br>14 YEL             | CHASSIS REAR LAMP WIRING<br>(LEFT TURN ONLY)        | LEFT TURN SIGNAL<br>*NOT COMBO TURN/BRAKE*    |
| SSM<br>14 YEL             | CHASSIS REAR LAMP WIRING<br>(RIGHT TURN ONLY)       | RIGHT TURN SIGNAL<br>*NOT COMBO TURN/BRAKE*   |
| SSN<br>18 WHT             | FRONT RIGHT SLIDEOUT LOCK<br>END SWITCH (FROM NNS)  | CONTROL MODULE<br>(RIGHT FRONT SLIDE)(GROUND) |
| SSP<br>18 WHT             | LEFT FRONT SLIDEOUT LOCK<br>END SWITCH (FROM DS)    | CONTROL MODULE<br>(LEFT FRONT SLIDE)(GROUND)  |
| SSR<br>16 YEL             | EXTERIOR HOLDING TANK<br>SELECTOR SWITCH            | EXTERIOR MONITOR PANEL                        |
| SSS<br>16 YEL             | EXTERIOR HOLDING TANK<br>SELECTOR SWITCH            | 2ND GALLEY HOLDING TANK                       |

| WIRE IDENTIFICATION CHART |  |  |
|---------------------------|--|--|
| CODE/COLOR                | FROM:  | TO:  |
| SST<br>14 YEL             | GALLEY LAMP SWITCH #1                            | GALLEY LAMP SWITCH #2                                    |
| SSU<br>14 YEL             | GALLEY LAMP SWITCH #1                            | GALLEY LAMP SWITCH #2                                    |
| SSV<br>14 YEL             | BATH CEILING LAMP SWITCH #1<br>(2 SWITCH SYSTEM) | BATH CEILING LAMP SWITCH #2<br>(2 SWITCH SYSTEM)         |
| SSW<br>14 YEL             | BATH CEILING LAMP SWITCH #1<br>(2 SWITCH SYSTEM) | BATH CEILING LAMP SWITCH #2<br>(2 SWITCH SYSTEM)         |
| SSX<br>12 YEL             | DOOR AWNING SWITCH                               | DOOR AWNING CONTROL RELAY<br>(RELAY POSITION 87A EXTEND) |
| SSY<br>12 WHT             | DOOR AWNING SWITCH                               | DOOR AWNING LIMIT SWITCH                                 |
| SSZ<br>14 YEL             | LOUNGE CEILING ROPE LAMP<br>SWITCH (CIRCUIT #2)  | LOUNGE CEILING ROPE LAMP<br>(REF CIRCUIT KKP)            |
| TTA<br>14 YEL             | LEVELING SYSTEM CONTROLS                         | INDICATOR LAMP/ALARM<br>(POSITIVE)                       |
| TTB<br>14 WHT             | LEVELING SYSTEM CONTROLS                         | INDICATOR LAMP/ALARM<br>(NEGATIVE)                       |
| TTC<br>10 YEL             | CHASSIS BATTERY                                  | SLIDEOUT LOCK BREAKER                                    |
| TTD<br>14 YEL             | VEHICLE LEFT HEADLAMP HI<br>BEAM CIRCUIT         | LEFT HI BEAM LAMP  |
| TTE<br>14 YEL             | RELAY  | RIGHT DOCKING LAMP                                       |
| TTF<br>14 YEL             | RELAY  | LEFT DOCKING LAMP  |
| TTG<br>18 YEL             | FRONT THERMOSTAT<br>(MAIN)                       | REMOTE SENSOR  |
| TTH<br>18 YEL             | FRONT THERMOSTAT<br>(MAIN)                       | REMOTE SENSOR  |
| TTJ<br>14 YEL             | BRAKE LAMP<br>CIRCUIT BREAKER                    | BRAKE LAMP RELAY   |
| TTK<br>14 YEL             | RIGHT TURNLAMP<br>CIRCUIT BREAKER                | RIGHT TURN LAMP RELAY                                    |
| TTL<br>14 YEL             | LEFT TURN LAMP<br>CIRCUIT BREAKER                | LEFT TURN LAMP RELAY                                     |
| TTM<br>14 YEL             | BACKUP LAMP<br>CIRCUIT BREAKER                   | BACKUP LAMP RELAY  |

WIRE IDENTIFICATION CHART

| CODE/COLOR    | FROM:   | TO:  |
|---------------|---|--|
| TTN<br>14 YEL | PARK LAMP<br>CIRCUIT BREAKER                            | PARK LAMP RELAY                                  |
| TTP<br>12 YEL | AWNING CONTROL BOX                                      | PATIO AWNING #2<br>(MOTOR POSITIVE)              |
| TTR<br>12 WHT | AWNING CONTROL BOX                                      | PATIO AWNING #2<br>(MOTOR GROUND)                |
| TTS<br>16 YEL | AWNING CONTROL BOX                                      | PATIO AWNING #2<br>(SWITCH EXTEND)               |
| TTT<br>16 YEL | AWNING CONTROL BOX                                      | PATIO AWNING #2<br>(SWITCH COMMON)               |
| TTU<br>16 YEL | AWNING CONTROL BOX                                      | PATIO AWNING #2<br>(SWITCH RETRACT)              |
| TTV<br>16 YEL | AWNING CONTROL BOX                                      | WIND SENSOR #2<br>(POSITIVE)                     |
| TTW<br>16 YEL | AWNING CONTROL BOX                                      | WIND SENSOR #2<br>(NEGATIVE)                     |
| TTX<br>16 YEL | AWNING CONTROL BOX                                      | WIND SENSOR #2<br>(SPEED OUTPUT)                 |
| TTY<br>18 YEL | CHASSIS BATT DISCONNECT RELAY<br>(TERMINAL I)           | CHASSIS BATT DISCONNECT SWITCH                   |
| TTZ<br>18 YEL | CHASSIS BATT DISCONNECT RELAY<br>(TERMINAL S)           | CHASSIS BATT DISCONNECT SWITCH                   |
| UUA<br>18 YEL | CHASSIS BATT DISCONNECT RELAY<br>LOAD SIDE FUSE FEED    | CHASSIS BATT DISCONNECT SWITCH<br>INDICATOR LAMP |
| UUB<br>18 YEL | CHASSIS BATT DISCONNECT RELAY<br>BATTERY SIDE FUSE FEED | CHASSIS BATT DISCONNECT SWITCH                   |
| UUC<br>18 WHT | CHASSIS BATT DISCONNECT SWITCH                          | GROUND   |
| UUD<br>12 YEL | RIGHT REAR SLIDEOUT LOCK<br>SWITCH                      | RIGHT REAR SLIDEOUT LOCK<br>MOTOR                |
| UUE<br>12 YEL | RIGHT REAR SLIDEOUT LOCK<br>SWITCH                      | RIGHT REAR SLIDEOUT LOCK<br>MOTOR                |