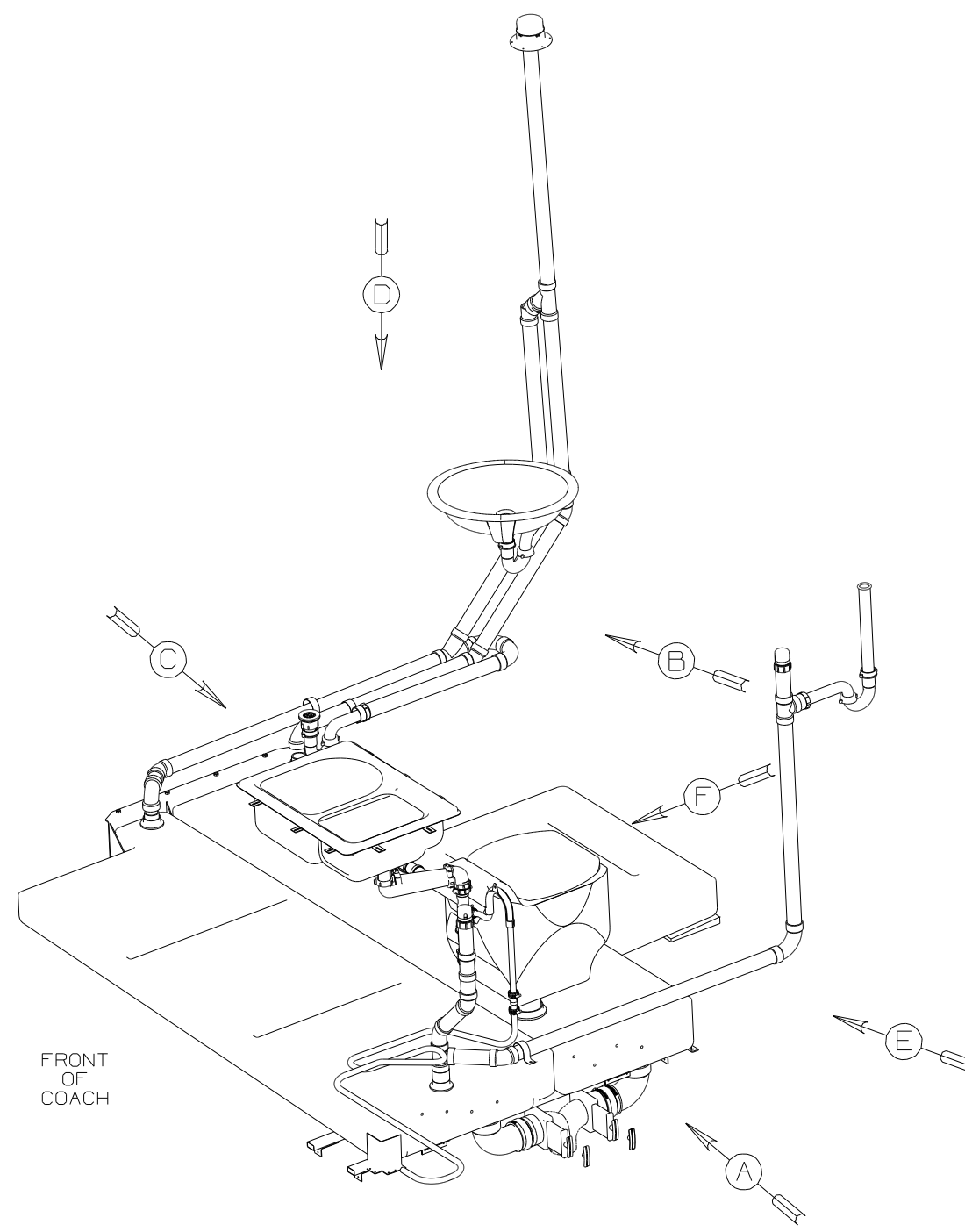


DWG NO	----
152589-01	(WIN)
152589-02	(ITA)

RELEASE	REV DATE	DWG NO
A		152589
REV ZONE	REVISION RECORD	DATE

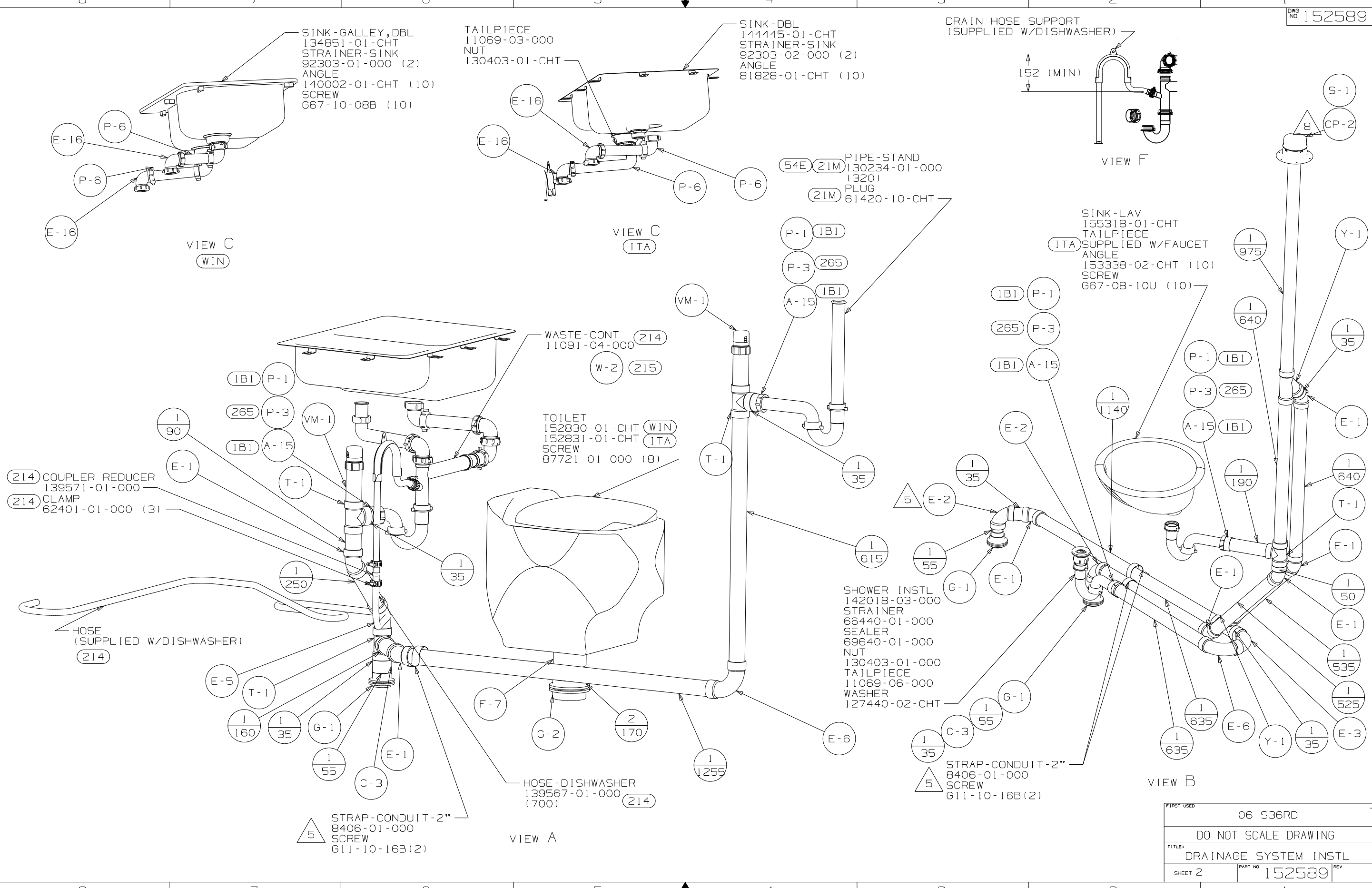


- (WIN) WINNEBAGO ONLY
- (ITA) ITASCA ONLY
- (1B1) CODES/STANDARDS-USA
- (265) CODES/STDS-CSA/CMVSS
- (54E) WASHER/DRYER
- (21M) WASHER/DRYER PREP
- (43M) TOILET PORCELAIN-ELONGATED

- 8 VENT PIPE MUST PROJECT 51 MIN AND 64 MAX. ABOVE ROOF FOR PROPER FIT AND FUNCTION.
7. SEE DWG 61607-01-000 FOR INSTL OF GROMMETS.
6. SEAL ALL AROUND SHOWER WITH SILICONE.
- 5 SECURE PIPES TO FLOOR USING BRACKET AND SCREW AS SHOWN.
4. ALL EXTERIOR OPENINGS AROUND PIPE TO BE SEALED WITH 110744-01-000.
3. ALL PIPE AND FITTINGS TO BE ASSEMBLED WITH SOLVENT 4020-01-000 (US) 4020-02-000 (CAN).
2. SLOPE OF TRAP ARM MUST BE 6 PER 305 mm.
1. SLOPE OF HORIZONTAL PIPING TO BE 6 PER 305 mm.

(X-X)
FOR DRAINAGE CALLOUTS SEE DWG NO 116229-01-000

WINNEBAGO		COPYRIGHT 2006 WINNEBAGO INDUSTRIES, INC.	
DFT	ORIG. DATE	ALL DIMENSIONS ARE IN MILLIMETERS	
CHKR		FIRST USED	
P.E.		06 S36RD	
M.E.		UNSPECIFIED TOLERANCES ARE:	
DSNR		MATERIAL:	
		WHOLE DIM (X) :	3
		ONE-PLACE (X.X) :	
		TWO-PLACE (X.XX) :	
		ANGLE :	
		THIRD ANGLE PROJECTION	
DO NOT SCALE DRAWING			
TITLE: DRAINAGE SYSTEM INSTL			
SHEET 1 OF 3	PART NO	152589	REV

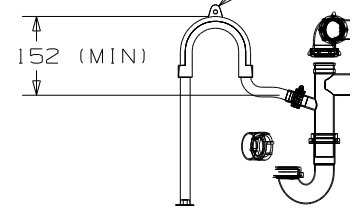


SINK - GALLEY, DBL
134851-01-CHT
STRAINER-SINK
92303-01-000 (2)
ANGLE
140002-01-CHT (10)
SCREW
G67-10-08B (10)

TAILPIECE
11069-03-000
NUT
130403-01-CHT

SINK - DBL
144445-01-CHT
STRAINER-SINK
92303-02-000 (2)
ANGLE
81828-01-CHT (10)

DRAIN HOSE SUPPORT
(SUPPLIED W/DISHWASHER)



VIEW F

VIEW C
(WIN)

VIEW C
(ITA)

SINK - LAV
155318-01-CHT
TAILPIECE
SUPPLIED W/FAUCET
ANGLE
15338-02-CHT (10)
SCREW
G67-08-10U (10)

VIEW B

WASTE - CONT
11091-04-000 (214)
W-2 (215)

TOILET
152830-01-CHT (WIN)
152831-01-CHT (ITA)
SCREW
87721-01-000 (8)

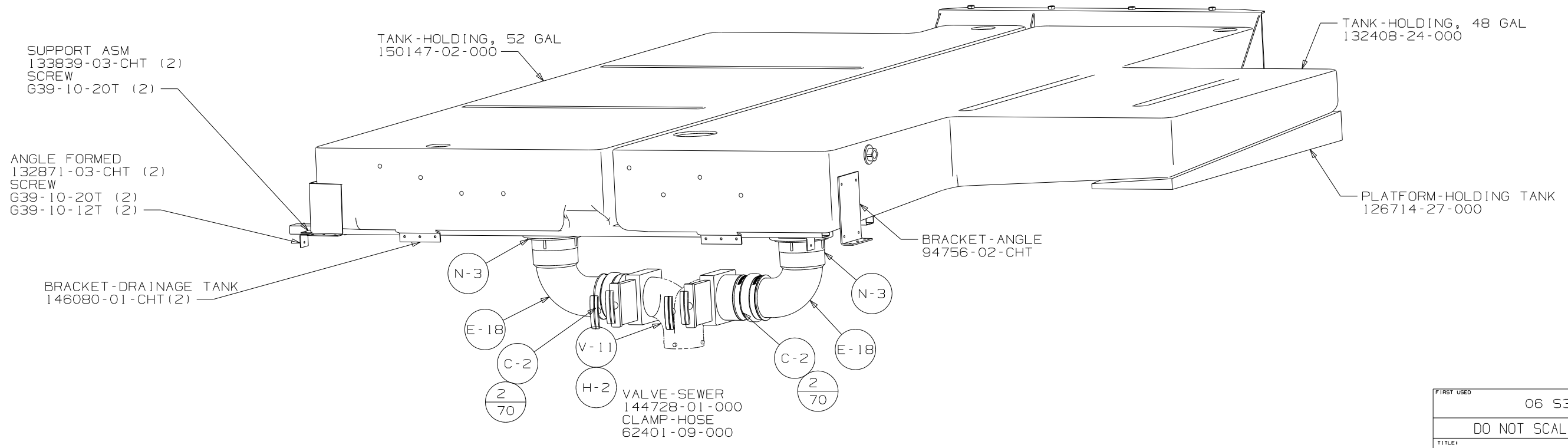
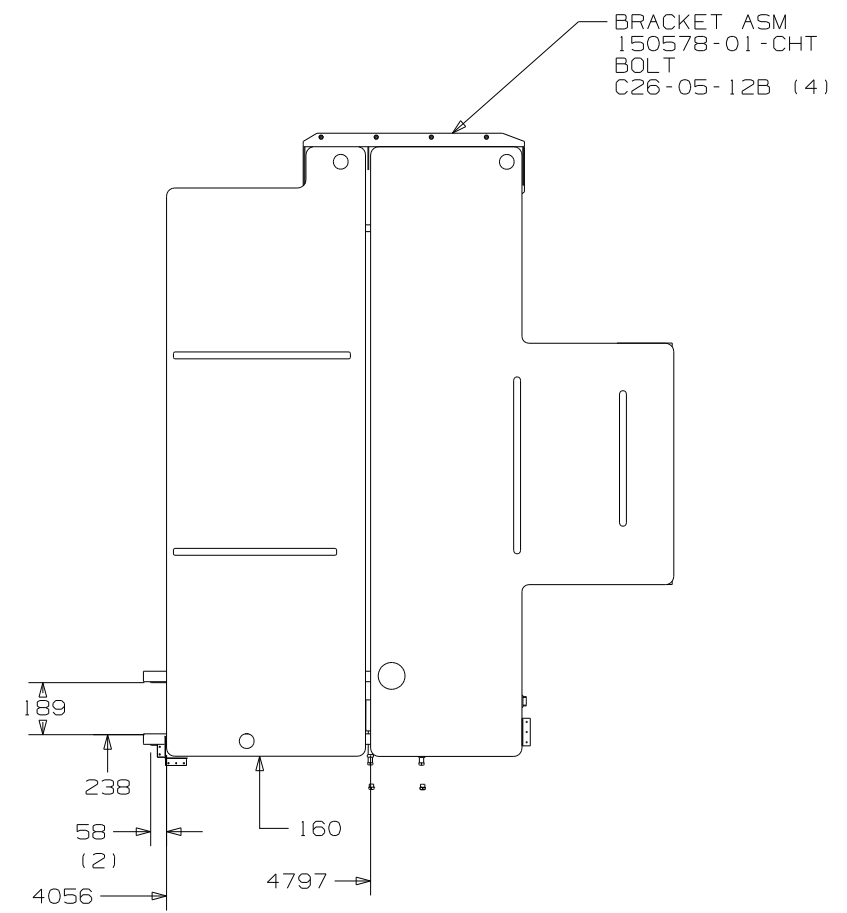
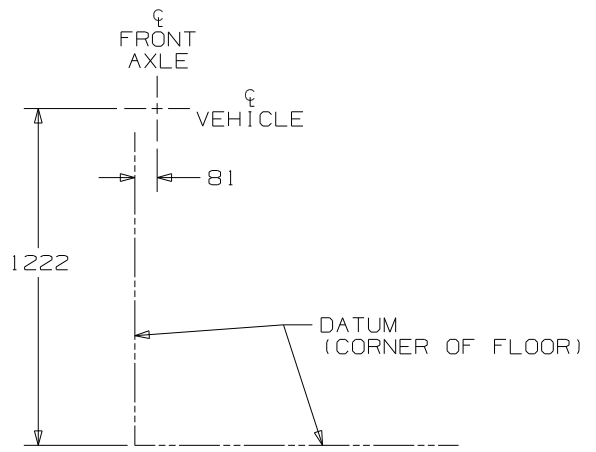
SHOWER INSTL
142018-03-000
STRAINER
66440-01-000
SEALER
69640-01-000
NUT
130403-01-000
TAILPIECE
11069-06-000
WASHER
127440-02-CHT

HOSE - DISHWASHER
139567-01-000 (214)

STRAP-CONDUIT-2"
8406-01-000
SCREW
G11-10-16B(2)

VIEW A

FIRST USED	06 S36RD	
TITLE	DO NOT SCALE DRAWING	
	DRAINAGE SYSTEM INSTL	
SHEET 2	PART NO	152589
	REV	

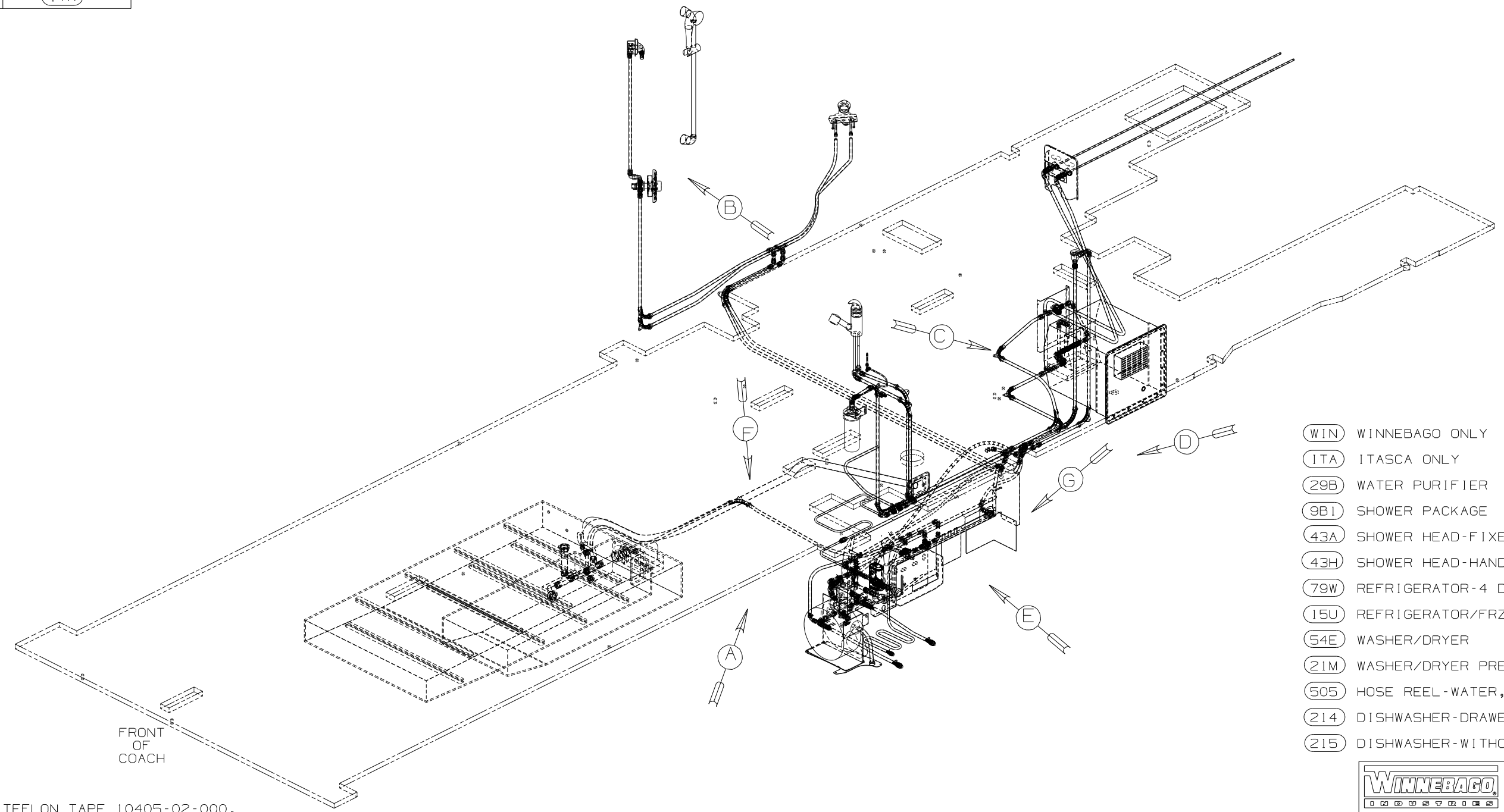


VIEW E

FIRST USED	06 S36RD	
TITLE	DO NOT SCALE DRAWING	
	DRAINAGE SYSTEM INSTL	
SHEET 3	PART NO 152589	REV

DWG NO	----
152590-01	(WIN)
152590-02	(ITA)

RELEASE	REV DATE	DWG NO
A		152590
REV ZONE	REVISION RECORD	DATE DFR-016

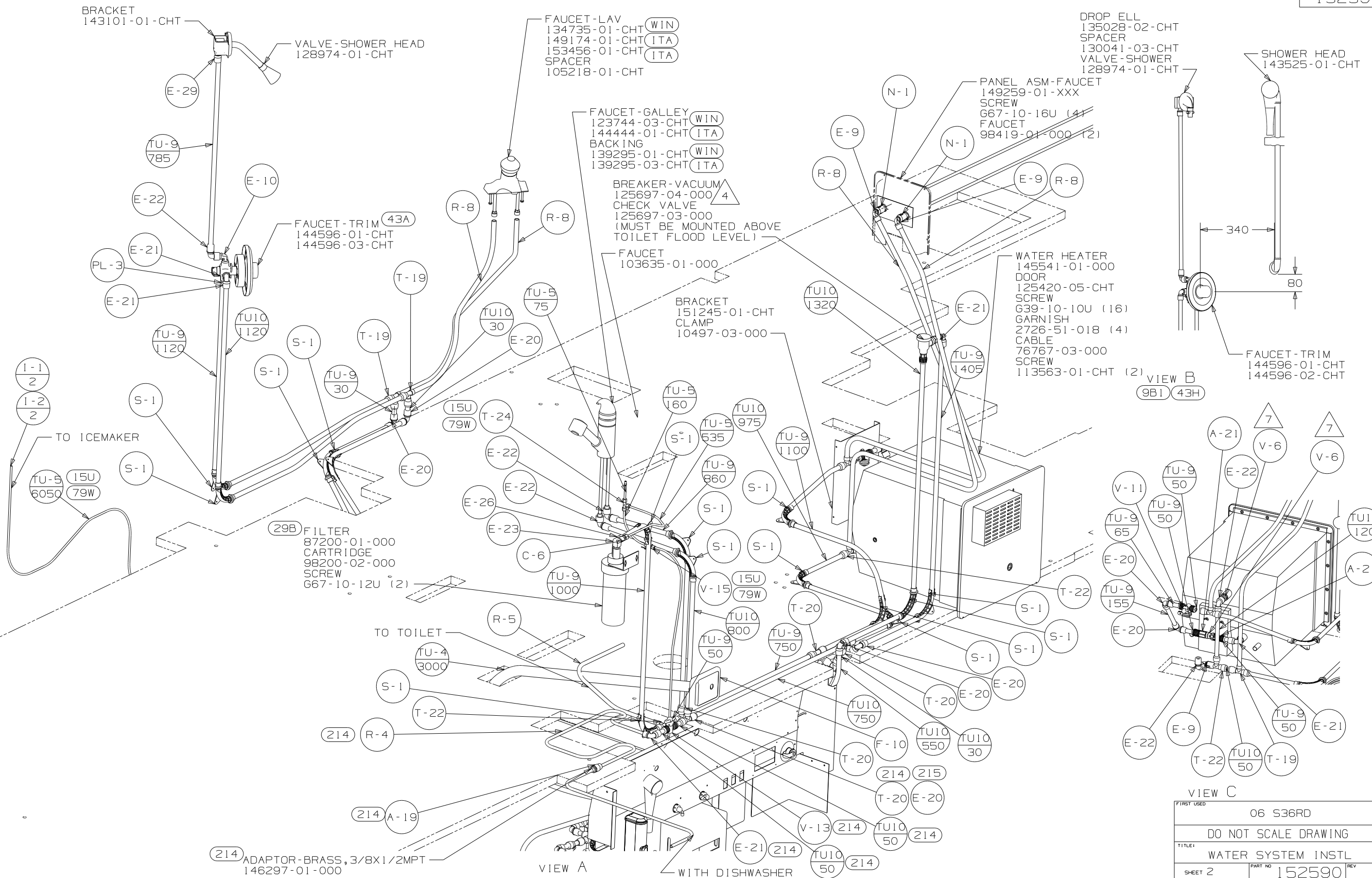


- (WIN) WINNEBAGO ONLY
- (ITA) ITASCA ONLY
- (29B) WATER PURIFIER
- (9B1) SHOWER PACKAGE
- (43A) SHOWER HEAD-FIXED
- (43H) SHOWER HEAD-HAND HELD
- (79W) REFRIGERATOR-4 DOOR
- (15U) REFRIGERATOR/FRZR W-ICEMAKER
- (54E) WASHER/DRYER
- (21M) WASHER/DRYER PREP
- (505) HOSE REEL-WATER,POWERED
- (214) DISHWASHER-DRAWER STYLE
- (215) DISHWASHER-WITHOUT

- NOTES:
- 7 ADD TEFLON TAPE 10405-02-000.
 - 6 ADD TEFLON TAPE 10405-01-000.
 - 5 ADD TEFLON TAPE 10405-03-000.
 - 4 FLUSHING SYSTEM REQUIRES 125697-06-000 INSTRUCTION SHEET.
3. ALL TUBING TO BE SECURED AT 1200 INTERVALS MAXIMUM WITH CLAMP 10495-01-000 OR EQUIVALENT AND SCREW G67-10-12B.
 2. TUBING TO BE INSTALLED WITH SUFFICIENT SLOPE TO PROVIDE DRAINAGE TO NEAREST VALVE.
 1. PLASTIC FITTINGS TO BE SEALED WITH SEALANT 84456-01-000.

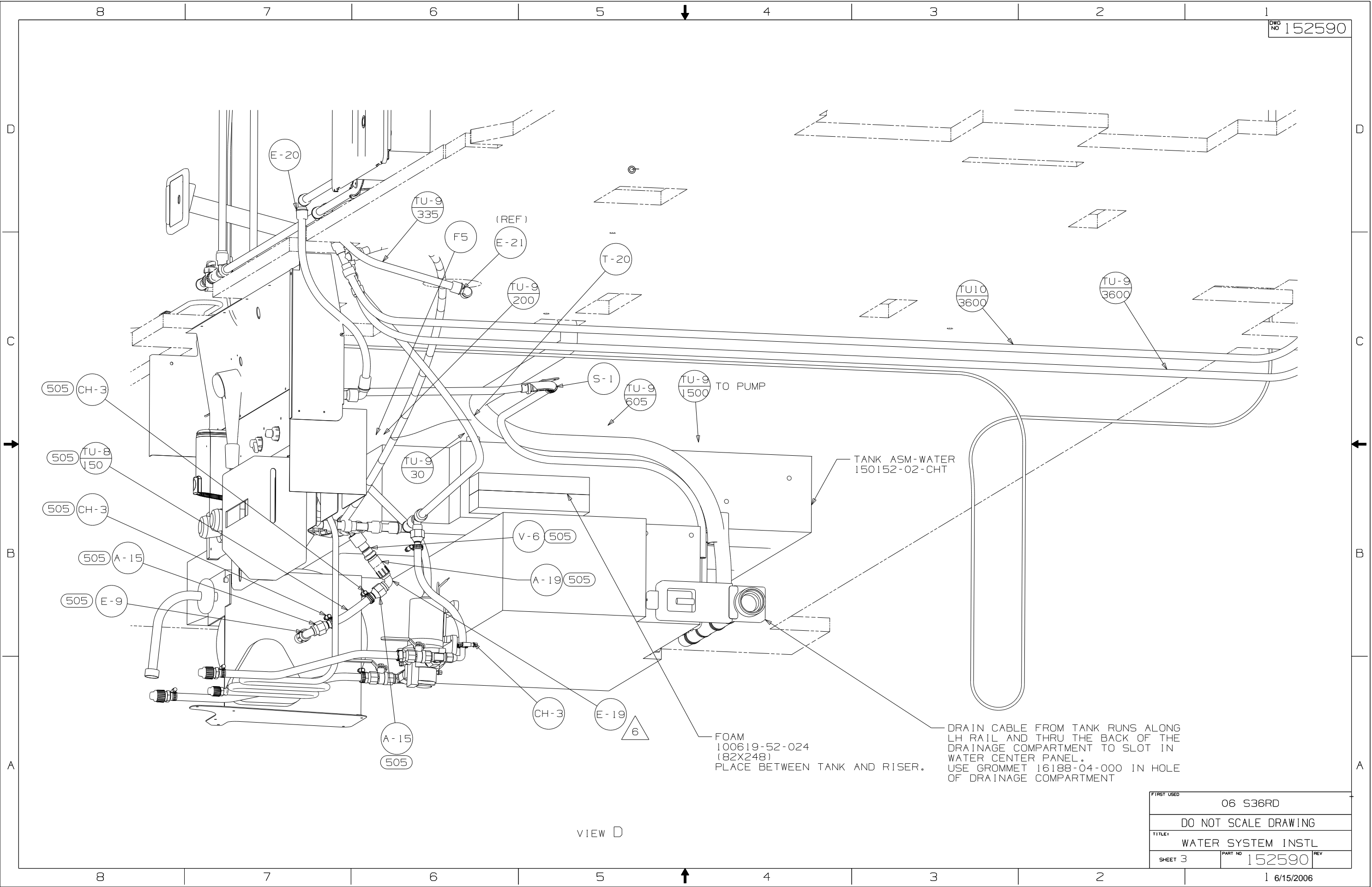
(X-X)
FOR WATER CALLOUTS SEE DWG NO 116230-01-000

WINNEBAGO		COPYRIGHT 2006 WINNEBAGO INDUSTRIES, INC.	
DFTR	ORIG. DATE	ALL DIMENSIONS ARE IN MILLIMETERS	
CHKR		FIRST USED	
P.E.		06 S36RD	
M.E.		UNSPECIFIED TOLERANCES ARE:	
DSNR		MATERIAL:	
		WHOLE DIM (X)	: 7
		ONE-PLACE (X.X)	:
		TWO-PLACE (X.XX)	:
		ANGLE	:
THIRD ANGLE PROJECTION		DO NOT SCALE DRAWING	
TITLE: WATER SYSTEM INSTL			
SHEET 1 OF 4	PART NO	152590	REV
REF:	1 6/15/2006		



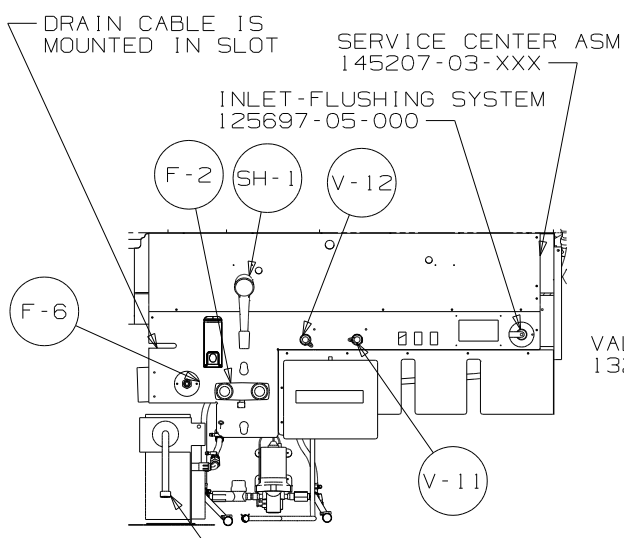
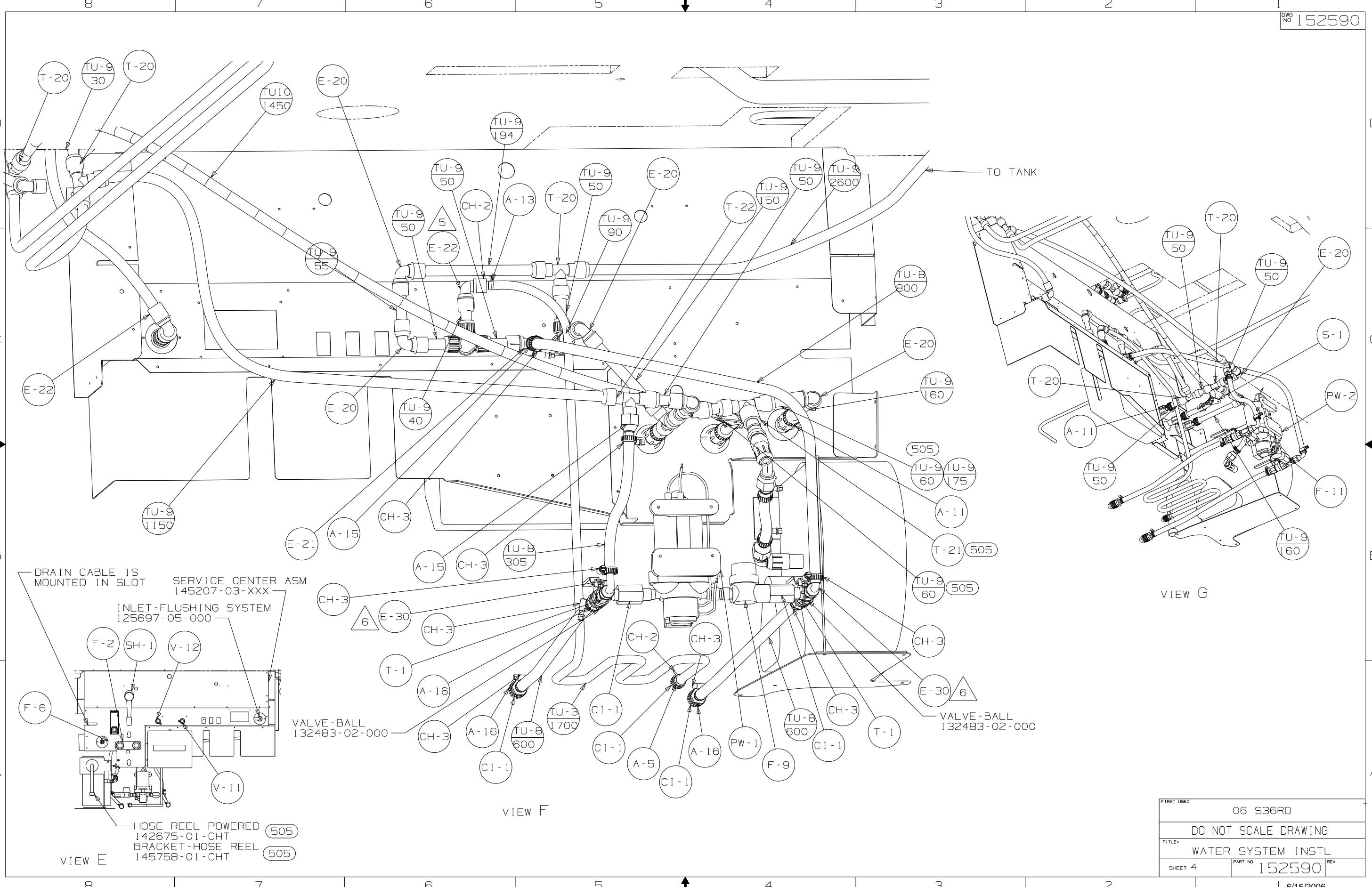
(214) ADAPTOR-BRASS, 3/8X1/2MPT
146297-01-000

FIRST USED	06 S36RD	
TITLE	DO NOT SCALE DRAWING	
	WATER SYSTEM INSTL	
SHEET 2	PART NO	152590
	REV	



VIEW D

FIRST USED	06 S36RD	
TITLE	DO NOT SCALE DRAWING	
TITLE	WATER SYSTEM INSTL	
SHEET 3	PART NO	REV
	152590	



VALVE-BALL
132483-02-000

VALVE-BALL
132483-02-000

VIEW F

VIEW G

FIRST USED	06 S36RD	
TITLE	DO NOT SCALE DRAWING	
SHEET 4	PART NO	152590
	REV	1 6/15/2006