

Table of Contents

2006 Vectra/Horizon S36RD Wiring Diagram Book

110 Volt Load Center/Auto Transfer Switch
AC/Heat/EMS Wiring Diagram
Antenna Installation, Radio and CB
Auto Lamps Wiring Diagram
Automotive Wiring Diagram
Backup Monitor Installation
Body, 110 Volt Wiring Diagram
Body, 110 Volt Wiring Installation
Body, 12 Volt Wiring Diagram
Body, 12 Volt Wiring Installation
Chassis Wiring Installation
Dash Radio Installation
Exterior Lamps Wiring Installation
Front End Wiring Installation
GPS Wiring Installation
Holding Tank Monitor Panel
Holding Tanks Wiring Diagram
Trip Computer Wiring Installation
TV Coax Wiring Diagram
TV/DVD, Front Wiring Installation

Complete Wiring Diagram Book (701674-75-046)





DANGER

Danger of electrical shock, burns or death. Always remove all power sources before attempting any repair, service or diagnostic work. Power can be present from shore power, generator, inverter or battery. All power sources must be disabled and secured before performing any service.



CAUTION

If you lack the skills, tools or equipment to perform diagnostic or repair work leave such work to an authorized Winnebago Industries dealer or other qualified shop.



- (14C) FIREPLACE-ELECTRIC
- (265) CODES/STANDARDS - CSA/CMVSS
- (214) DISHWASHER DRAWER STYLE
- (54E) WASHER/DRYER
- (22T) VACUUM SYSTEM - CENTRAL
- (21N) DISHWASHER/BUILT-IN
- (21M) WASHER/DRYER PREP
- (1B1) CODES/STANDARDS - USA

WINNEBAGO COPYRIGHT 2006 WINNEBAGO INDUSTRIES, INC.

DFTR	ORIG. DATE
CHKR	ALL DIMENSIONS ARE IN MILLIMETERS
P.E.	FIRST USED
M.E.	06 S-SERIES
DSNR	

UNSPECIFIED TOLERANCES ARE: MATERIAL:

WHOLE DIM (X)	:
ONE-PLACE (X.X)	:
TWO-PLACE (X.XX)	:
ANGLE	:

THIRD ANGLE PROJECTION

DO NOT SCALE DRAWING

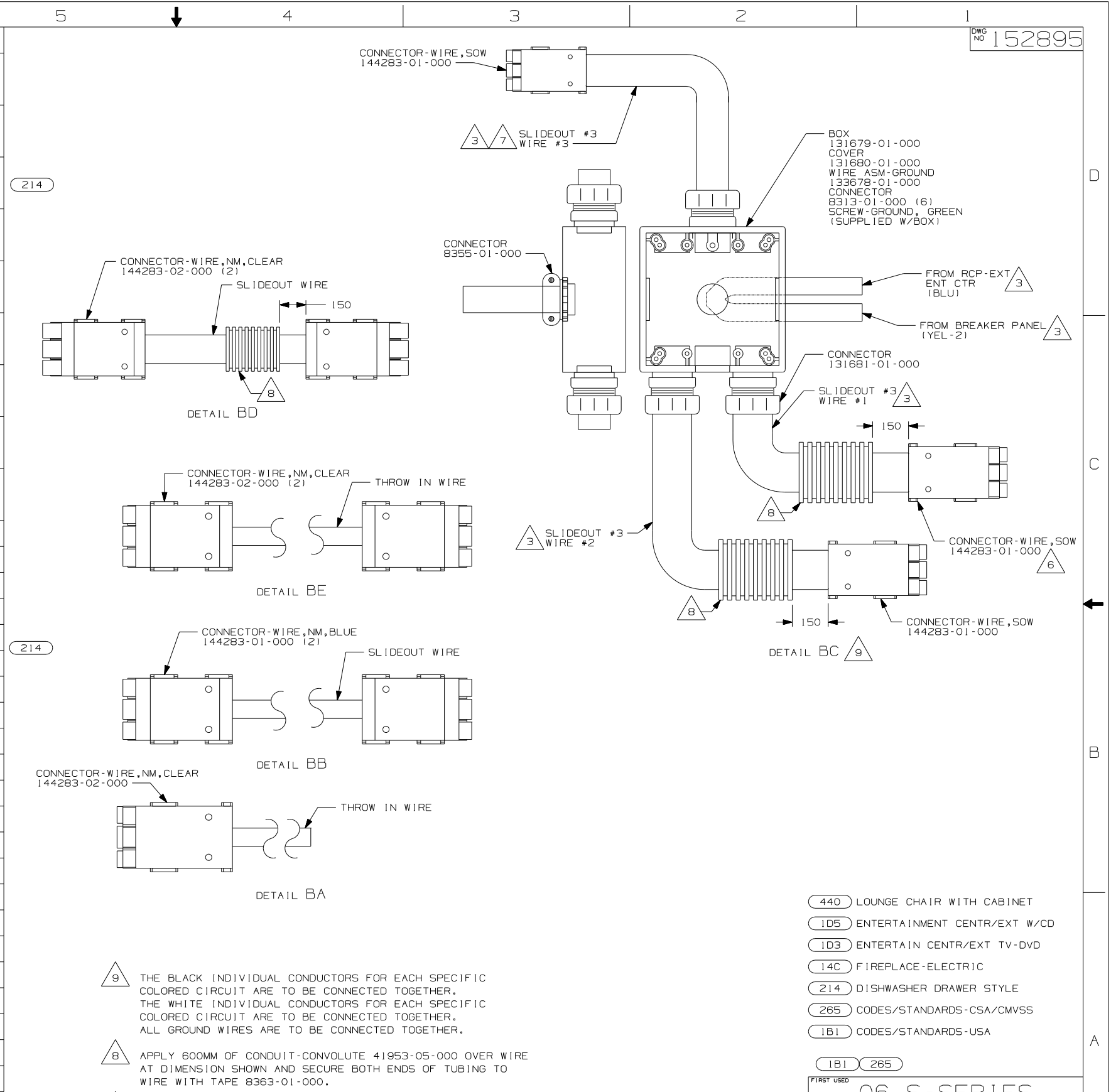
TITLE: LOAD CENTER/ATS ASM

SHEET 1 OF 3 PART NO 152895 REV

REF: 1 6/15/2006

NOTES: SEE DETAIL BA FOR CONNECTOR INSTALLATION.

	8	7	6
	S36RD	S40KD	S40FD
SLIDEOUT #1 WIRE #1	136151-03-040	136151-03-055	136151-03-042
SLIDEOUT #1 WIRE #2	136151-06-040	----	136151-06-042
SLIDEOUT #1 WIRE #3	136151-11-035	----	136151-11-026
SLIDEOUT #2 WIRE #1	----	136151-04-020	136151-04-020
SLIDEOUT #3 WIRE #1	136151-02-038	136151-02-035	136151-02-060
SLIDEOUT #3 WIRE #2	136151-13-038	136151-06-035	136151-13-045
SLIDEOUT #3 WIRE #3	136151-02-070	136151-11-035 (214)	136151-02-018
SLIDEOUT #3 WIRE #4	----	136151-02-035	136151-15-070 (14C)
SLIDEOUT #4 WIRE #1	136151-04-020	----	136151-04-020
THROW IN WIRE #1	14-UL 136131-03-030 14-CA 136134-03-030	136131-02-003 136134-02-003	136131-04-095 136134-04-095
THROW IN WIRE #2	14-UL 136131-04-155 14-CA 136134-04-155	136131-02-055 136134-02-055	136131-04-040 136134-04-040
THROW IN WIRE #3	14-UL 136131-11-008 14-CA 136134-11-008	136131-11-010 136134-11-010	136131-11-006 136134-11-006
THROW IN WIRE #4	14-UL 136131-13-018 14-CA 136134-13-018	136131-04-075 136134-04-075	136131-02-025 (ID3) 136134-02-025 (ID3)
THROW IN WIRE #5	14-UL 136131-04-028 14-CA 136134-04-028	136131-06-003 136134-06-003	136131-04-080 136134-04-080
THROW IN WIRE #6	14-UL 136131-02-008 (ID5) 14-CA 136134-02-008 (ID5)	136131-03-045 136134-03-045	136131-02-060 136134-02-060
THROW IN WIRE #7	14-UL 136131-02-030 (ID3) 14-CA 136134-02-030 (ID3)	136131-04-066 136134-04-066	136131-03-032 136134-03-032
THROW IN WIRE #8	14-UL 136131-04-050 14-CA 136134-04-050	136131-02-035 (ID3) 136134-02-035 (ID3)	136131-04-040 136134-04-040
THROW IN WIRE #9	14-UL ---- 14-CA ----	136131-02-010 (ID5) 136134-02-010 (ID5)	136131-02-025 (ID3) (ID5) 136134-02-025 (ID3) (ID5)
THROW IN WIRE #10	14-UL ---- 14-CA ----	136131-02-050 136134-02-050	136131-15-010 (14C) 136134-15-010 (14C)
THROW IN WIRE #11	----	136131-03-015 (440) 136134-03-015 (440)	136131-13-010 136134-13-010



(214)

(214)

THE BLACK INDIVIDUAL CONDUCTORS FOR EACH SPECIFIC COLORED CIRCUIT ARE TO BE CONNECTED TOGETHER. THE WHITE INDIVIDUAL CONDUCTORS FOR EACH SPECIFIC COLORED CIRCUIT ARE TO BE CONNECTED TOGETHER. ALL GROUND WIRES ARE TO BE CONNECTED TOGETHER.

APPLY 600MM OF CONDUIT-CONVOLUTE 41953-05-000 OVER WIRE AT DIMENSION SHOWN AND SECURE BOTH ENDS OF TUBING TO WIRE WITH TAPE 8363-01-000.

WIRE WITH 36RD ONLY.

CONNECTOR WITH 36RD ONLY.

SEE DETAIL BE FOR CONNECTOR INSTALLATION.

SEE DETAIL BD FOR CONNECTOR INSTALLATION.

- (440) LOUNGE CHAIR WITH CABINET
- (ID5) ENTERTAINMENT CENTR/EXT W/CD
- (ID3) ENTERTAIN CENTR/EXT TV-DVD
- (14C) FIREPLACE-ELECTRIC
- (214) DISHWASHER DRAWER STYLE
- (265) CODES/STANDARDS-CSA/CMVSS
- (1B1) CODES/STANDARDS-USA

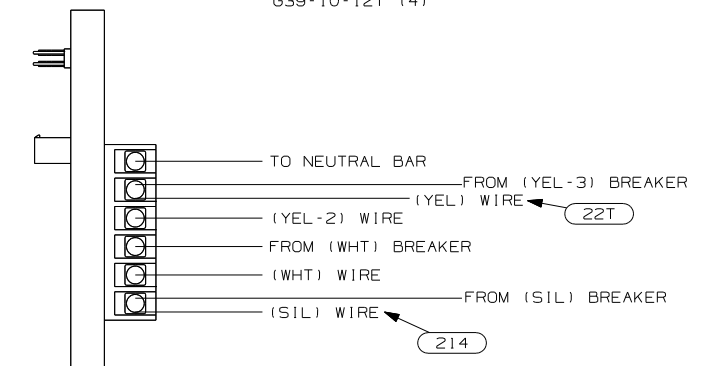
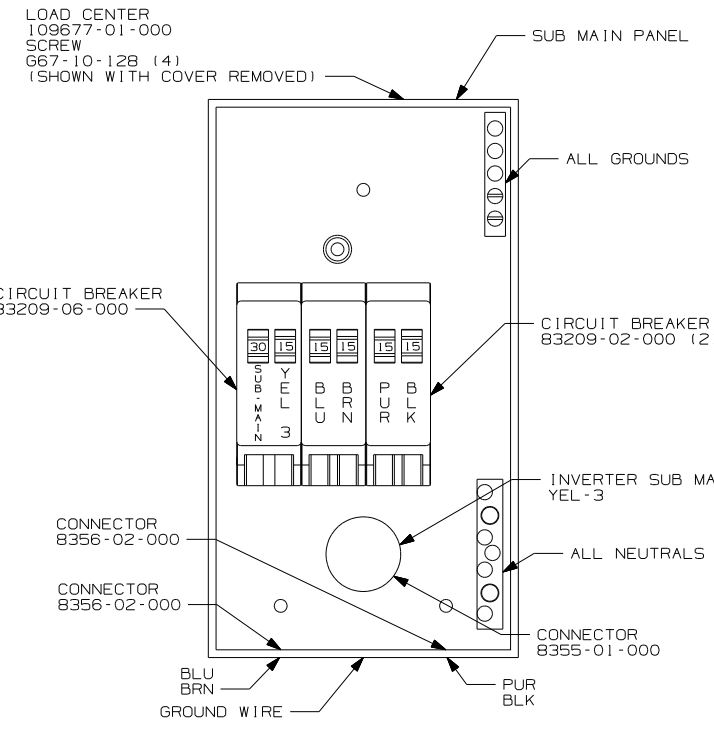
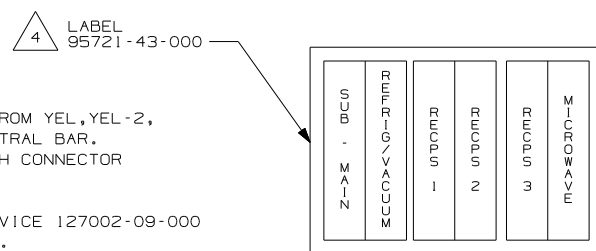
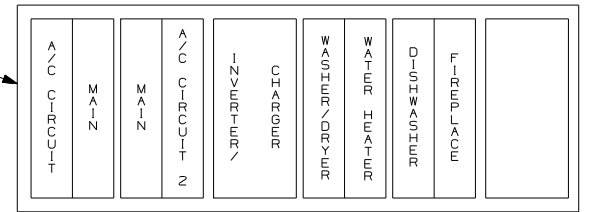
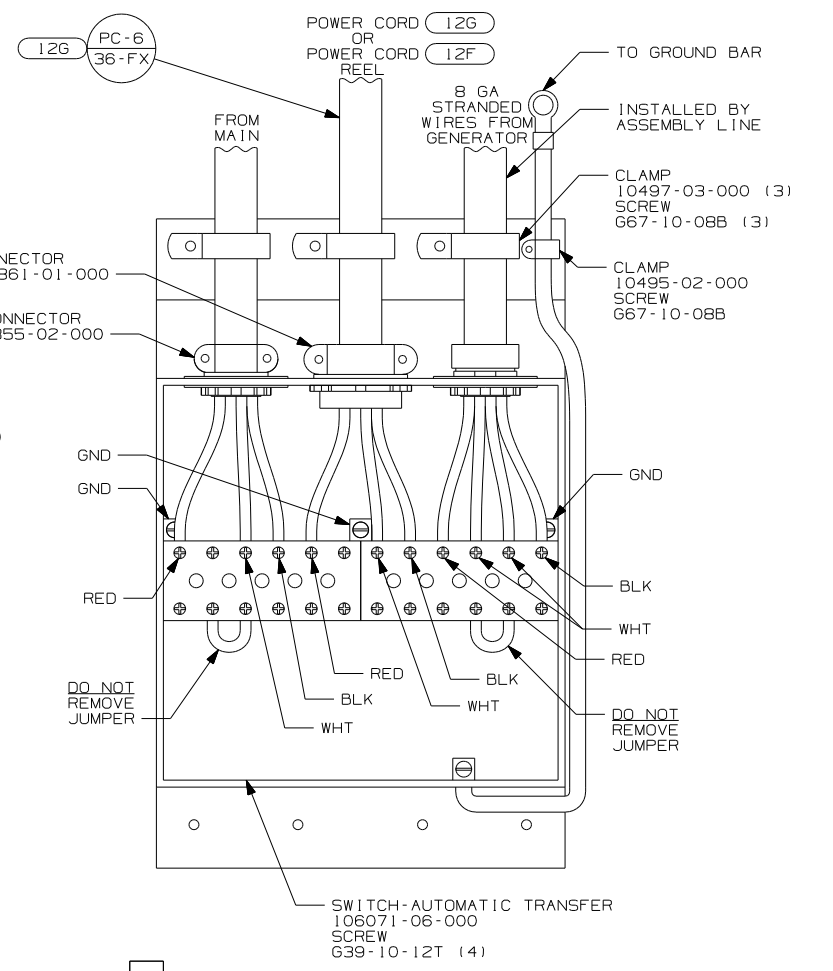
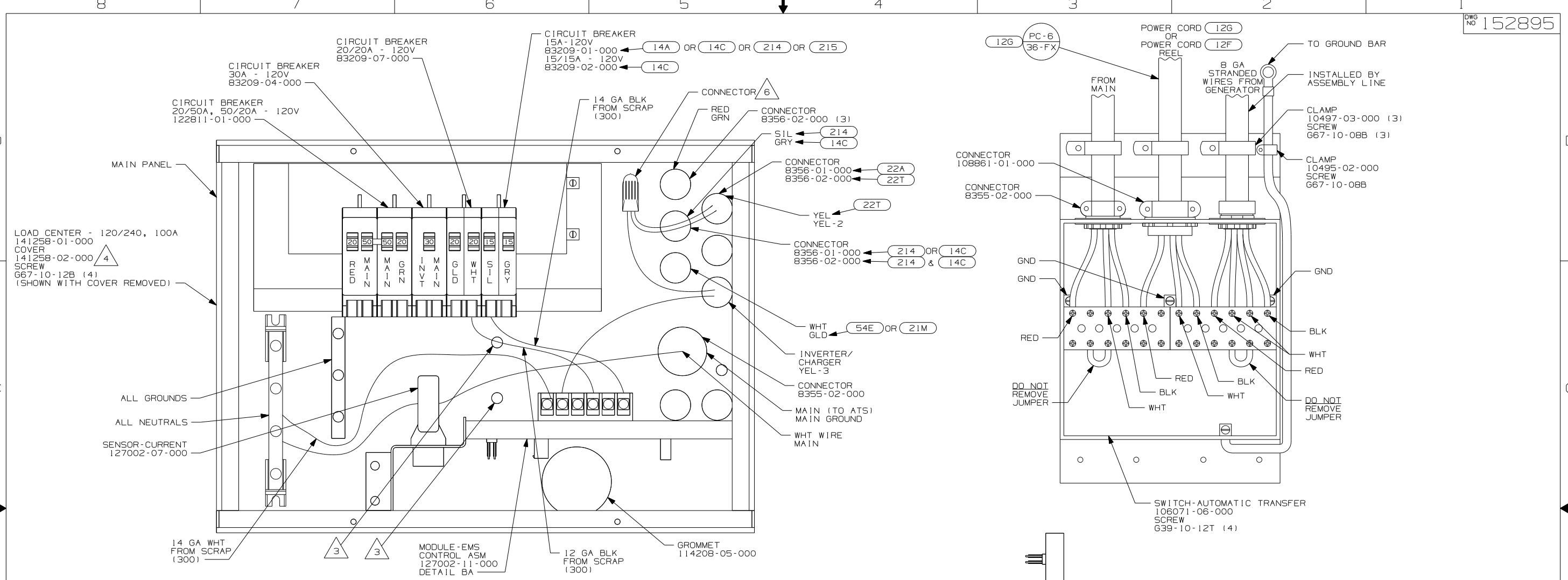
FIRST USED	06 S-SERIES
TITLE	DO NOT SCALE DRAWING
TITLE	LOAD CENTER/ATS ASM
SHEET 2	PART NO 152895 REV

SEE DETAIL BB FOR CONNECTOR INSTALLATION.

SEE DETAIL BC FOR CONNECTOR INSTALLATION.

SEE DETAIL BA FOR CONNECTOR INSTALLATION.

SEE WIRING INSTL-BODY,110V FOR ADDITIONAL INFORMATION.



- (14A) FIREPLACE-ELECTRIC WITHOUT
- (22T) VACUUM SYSTEM - CENTRAL
- (21T) WASHER/DRYER - WITHOUT
- (14C) FIREPLACE-ELECTRIC
- (12G) POWER CORD REEL-WITHOUT
- (12F) POWER CORD REEL
- (265) CODES/STANDARDS - CSA/CMVSS
- (1B1) CODES/STANDARDS - USA
- (22A) VACUUM SYS-CENTRAL-WITHOUT
- (215) DISHWASHER WITHOUT
- (21M) WASHER/DRYER PREP
- (214) DISHWASHER DRAWER STYLE
- (54E) WASHER/DRYER
- (1B1) (265)

- NOTES:
1. ALL GROUND WIRES TO BE COVERED WITH TUBING 8041-02-000.
 2. WIRE MUST BE 500 LONG INSIDE BOX.
 3. ATTATCH WIRES ON BACK OF LOAD CENTER WITH WIRE TIE 116673-01-000.
 4. INSTALLED BY ASSEMBLY LINE
 5. MANUAL-INSTALLATION & SERVICE 127002-09-000 TO BE SUPPLIED WITH PANEL.
 6. DO NOT CONNECT WHT WIRE FROM YEL, YEL-2, AND YEL-3 CIRCUITS TO NEUTRAL BAR. CONNECT TO EACH OTHER WITH CONNECTOR 8313-01-000 AS SHOWN.

FOR ELECTRICAL TORQUE SPECIFICATIONS SEE DWG NO. 128783-01-000

X-X FOR ELECTRICAL CALLOUTS SEE DWG NO. 121339-01-000

FIRST USED

06 S-SERIES

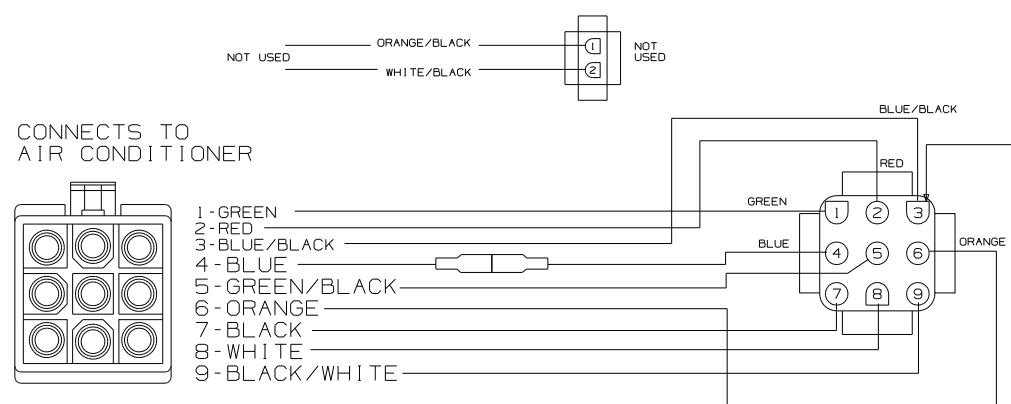
DO NOT SCALE DRAWING

TITLE: **LOAD CENTER/ATS ASM**

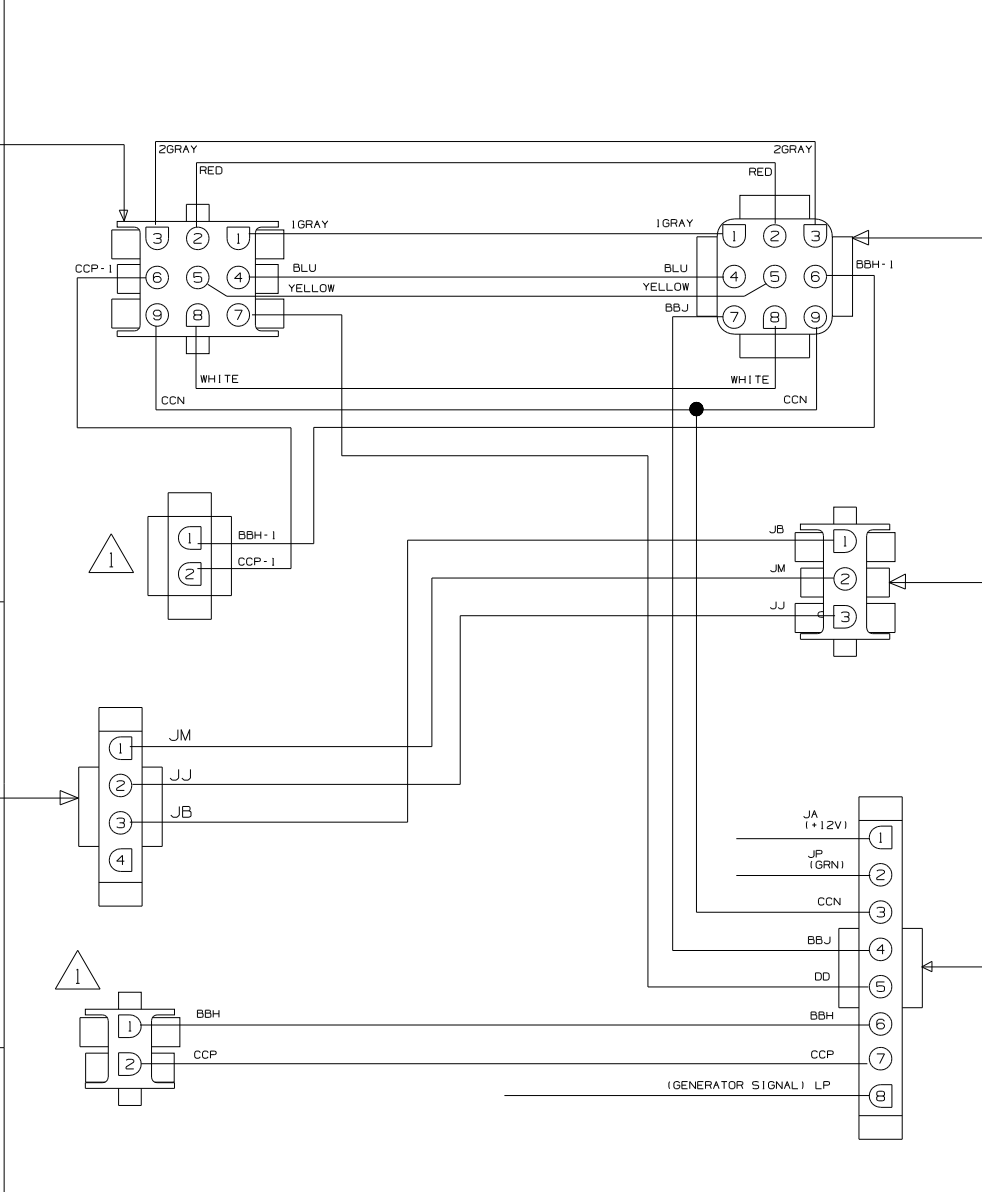
SHEET 3 PART NO **152895** REV

WITHOUT HEAT PUMP

VENDOR SUPPLIED HARNESS

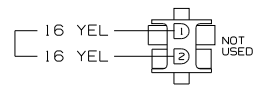
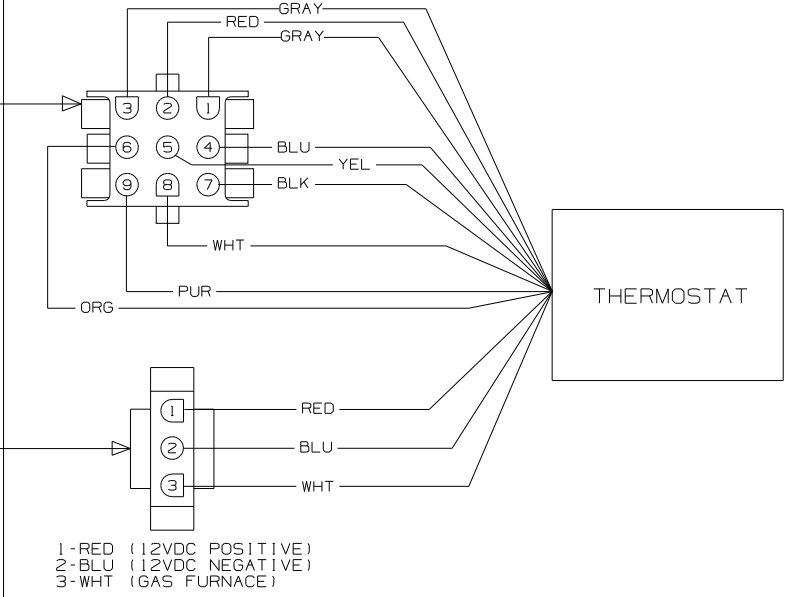


WINNEBAGO SUPPLIED HARNESS

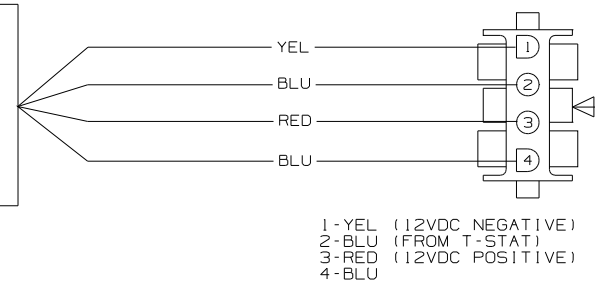


THERMOSTAT

- 1-GRY (FREEZE SWITCH & EXCLUSION RELAY)
- 2-RED (+12VDC)
- 3-GRY (FREEZE SWITCH & EXCLUSION RELAY)
- 4-BLU (-12VDC)
- 5-YEL (COOLING COMPRESSOR #1)
- 6-ORG (COOLING COMPRESSOR #2)
- 7-BLK (FAN HIGH)
- 8-WHT (HEAT PUMP)
- 9-PUR (FAN LOW)

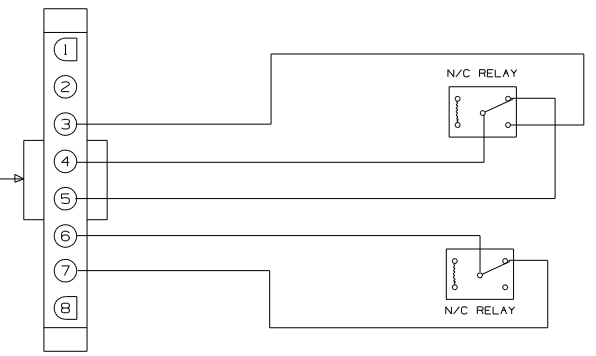


FURNACE



FURNACE

LOAD SHEDDER BOARD



WIRING DIAGRAM-THERMOSTAT,EXT
(WIRE ASM 135131
WITHOUT HEAT PUMP)

1. CONNECT HOUSING TOGETHER.

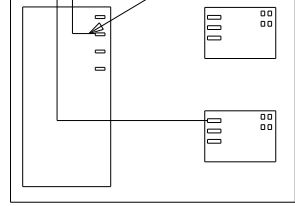
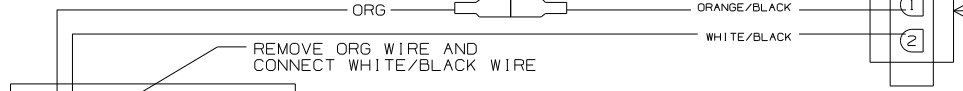
NOTES:

WINNEBAGO		COPYRIGHT 2004 WINNEBAGO INDUSTRIES, INC.	
DFTR	ORIG. DATE	ALL DIMENSIONS ARE IN MILLIMETERS	
CHKR		FIRST USED	
P.E.		03 SERIES	
M.E.		UNSPECIFIED TOLERANCES ARE:	
DSNR		MATERIAL:	
		WHOLE DIM (X) :	
		ONE-PLACE (X.X) :	
		TWO-PLACE (X.XX) :	
		ANGLE :	
THIRD ANGLE PROJECTION			
DO NOT SCALE DRAWING			
TITLE: WIRING DIAGRAM-AC/HEAT/EMS			
SHEET 1 OF 2	PART NO	138913	
REF:		1 07/08/2004	

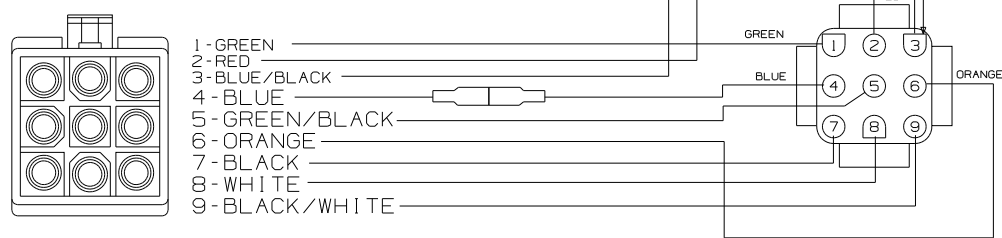
WITH HEAT PUMP

VENDOR SUPPLIED HARNESS

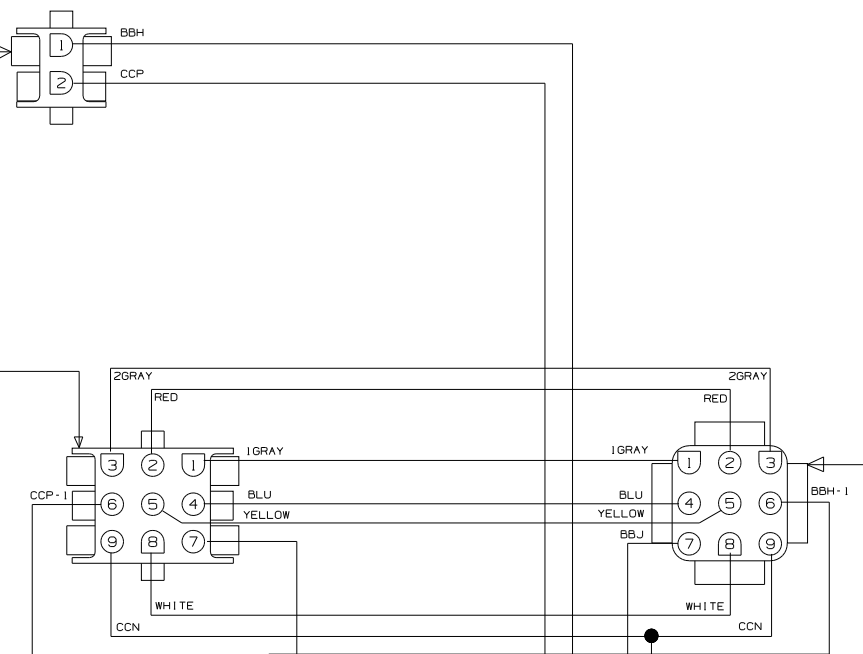
ORG WIRE IS REMOVED FORM TERMINAL AND CONNECTED TO ORG/BLK WIRE THEN WHT/BLK WIRE IS CONNECTED TO THE TERMINAL WHERE THE ORG WIRE WAS.



CONNECTS TO AIR CONDITIONER

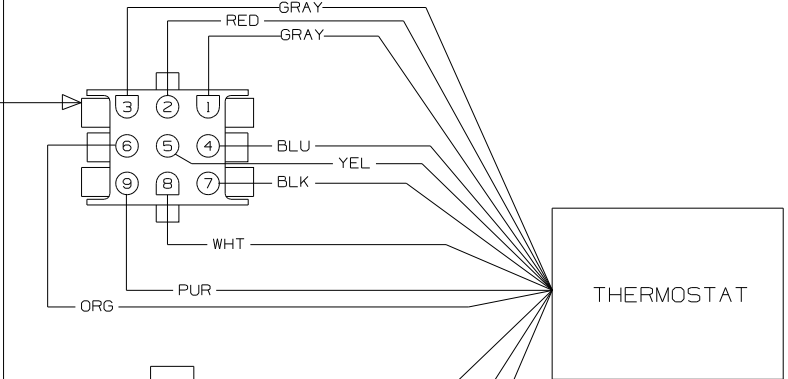


WINNEBAGO SUPPLIED HARNESS

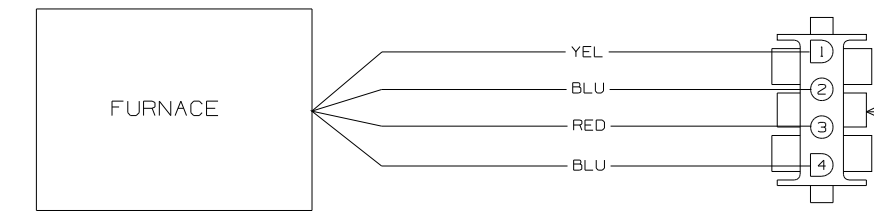


THERMOSTAT

- 1-GRY (FREEZE SWITCH & EXCLUSION RELAY)
- 2-RED (+12VDC)
- 3-GRY (FREEZE SWITCH & EXCLUSION RELAY)
- 4-BLU (-12VDC)
- 5-YEL (COOLING COMPRESSOR #1)
- 6-ORG (COOLING COMPRESSOR #2)
- 7-BLK (FAN HIGH)
- 8-WHT (HEAT PUMP)
- 9-PUR (FAN LOW)



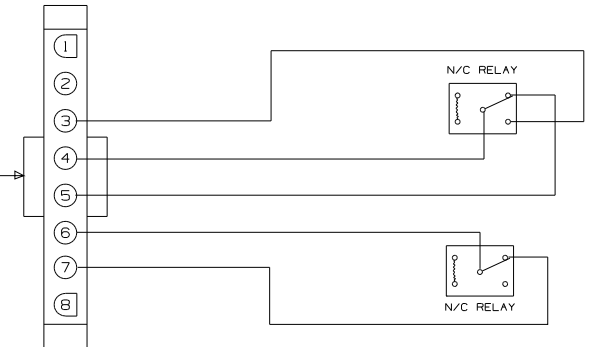
- 1-RED (12VDC POSITIVE)
- 2-BLU (12VDC NEGATIVE)
- 3-WHT (GAS FURNACE)



- 1-YEL (12VDC NEGATIVE)
- 2-BLU (FROM T-STAT)
- 3-RED (12VDC POSITIVE)
- 4-BLU

FURNACE

LOAD SHEDDER BOARD



WIRING DIAGRAM-THERMOSTAT,EXT
(WIRE ASM 135131
WITH HEAT PUMP)

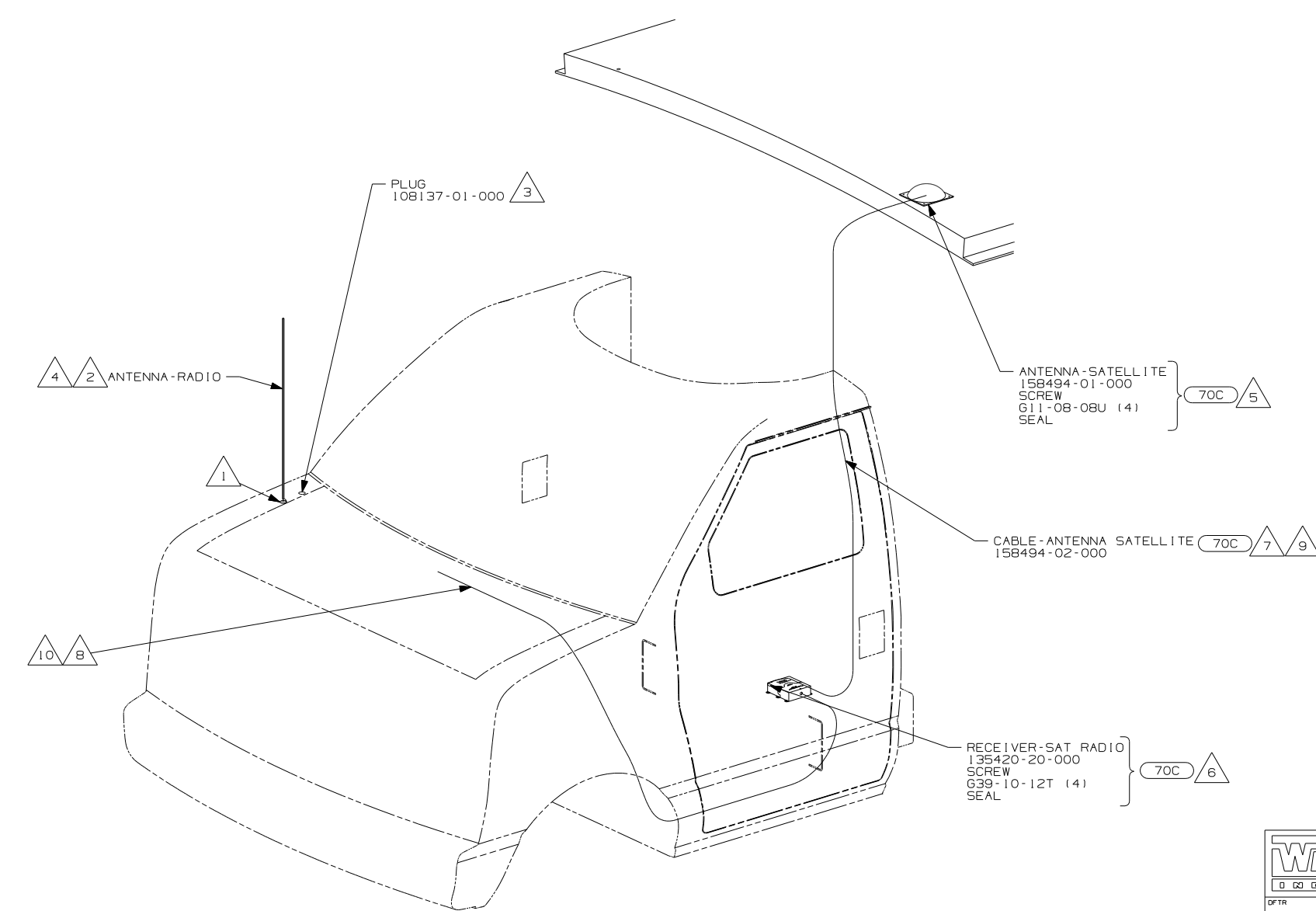
1. RLC FOR 2001 THIS RESET WAS DELETED.

NOTES:

FIRST USED	03 SERIES
DO NOT SCALE DRAWING	
TITLE:	WIRING DIAGRAM-AC/HEAT/EMS
SHEET 2	PART NO 138913

DWG NO	SHEET	SERIES
152091-01	1	300, 400, 700
152091-02	2	D, F, G
152091-03	3	P, S, R
152091-04	4	500

RELEASE	REV DATE	DWG NO	152091
REV ZONE	REVISION RECORD	DATE	DFTR-ORIG



- 10 RECEIVER CABLE SUPPLIED WITH RECEIVER.
- 9 ON 300-SER AND 400-SER ROUTE ANTENNA CABLE FROM UNDER DRIVER'S SEAT UP B-POST, INTO WINGWALL, THROUGH SLEEP BOARD ASM TO ANTENNA HOLE IN ROOF ASM.
- 8 ROUTE RECEIVER CABLE ALONG WITH CHASSIS HARNESS TO BATTERY BOOST SWITCH, CONTINUE RECEIVER CABLE TO DASH RADIO.
- 7 ON 700-SER ROUTE ANTENNA CABLE FROM UNDER DRIVER'S SEAT UP B-POST, INTO WINGWALL, UP THROUGH ENTERTAINMENT CENTER BEHIND SPEAKER, ROUTE CABLE THROUGH ROUTED PATH IN ROOF ASM.
- 6 MOUNT RECEIVER TO CAB FLOOR UNDER DRIVERS SEAT NEXT TO FORD MODULE. BE SURE NOT TO SCREW THROUGH ANY WIRES THAT GO TO THE MODULE. SEAL ALL SCREWS.
- 5 MOUNT ANTENNA SUCH THAT BASE IS SQUARE WITH ROOF AND HOLE IS DIRECTLY OVER HOLE IN ROOF. SEAL BOTH THE HOLE IN THE ROOF AND ANTENNA BASE AT SCREWS.
- 4 DO NOT RELOCATE ANTENNA ON 400 AND 700 SERIES UNITS. LEAVE IN FACTORY LOCATION.
- 3 NOT USED ON 400 AND 700 SERIES.
- 2 SUPPLIED WITH CHASSIS.
- 1 SEE FRAME ASM-CHASSIS FOR HOLE LOCATION AND SIZE.

WINNEBAGO COPYRIGHT 2006 WINNEBAGO INDUSTRIES, INC.

DFTR	ORIG. DATE
CHKR	ALL DIMENSIONS ARE IN MILLIMETERS
P.E.	
M.E.	FIRST USED
DSNR	06 MOTORHOMES

UNSPECIFIED TOLERANCES ARE: MATERIAL:

HOLE DIM (X)	:
ONE-PLACE (X.X)	:
TWO-PLACE (X.XX)	:
ANGLE	:

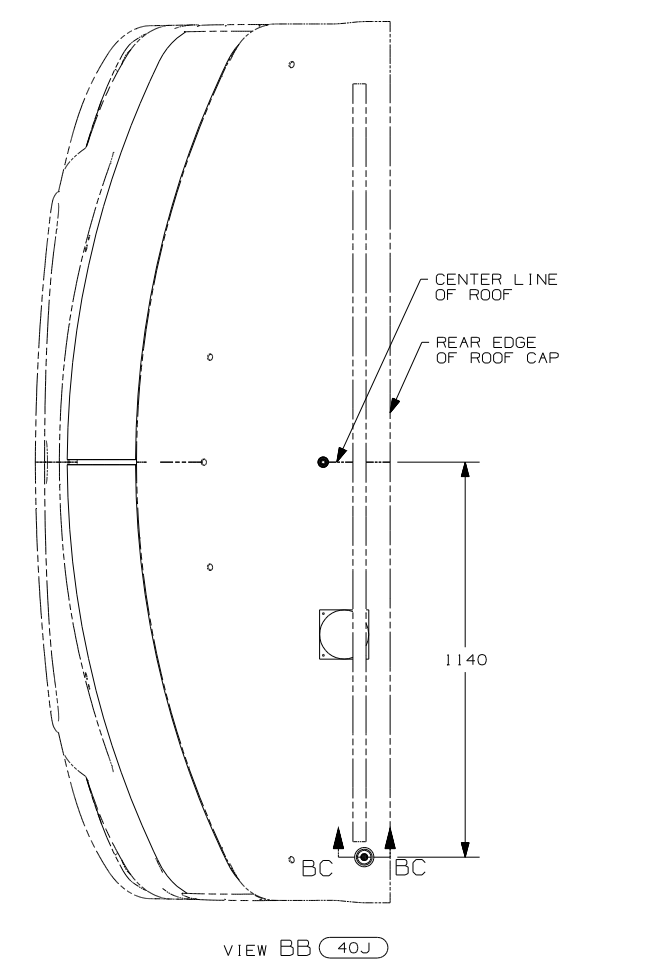
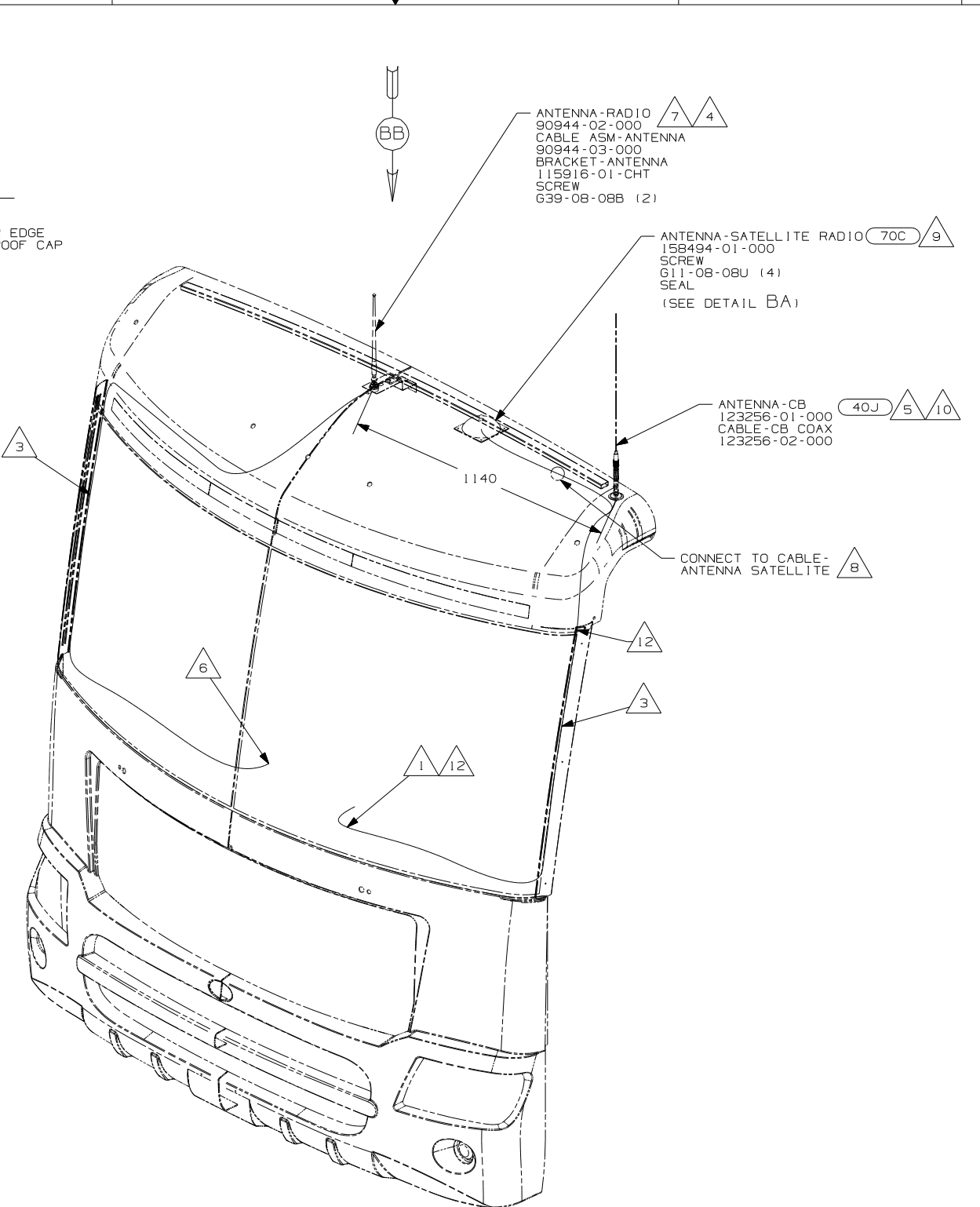
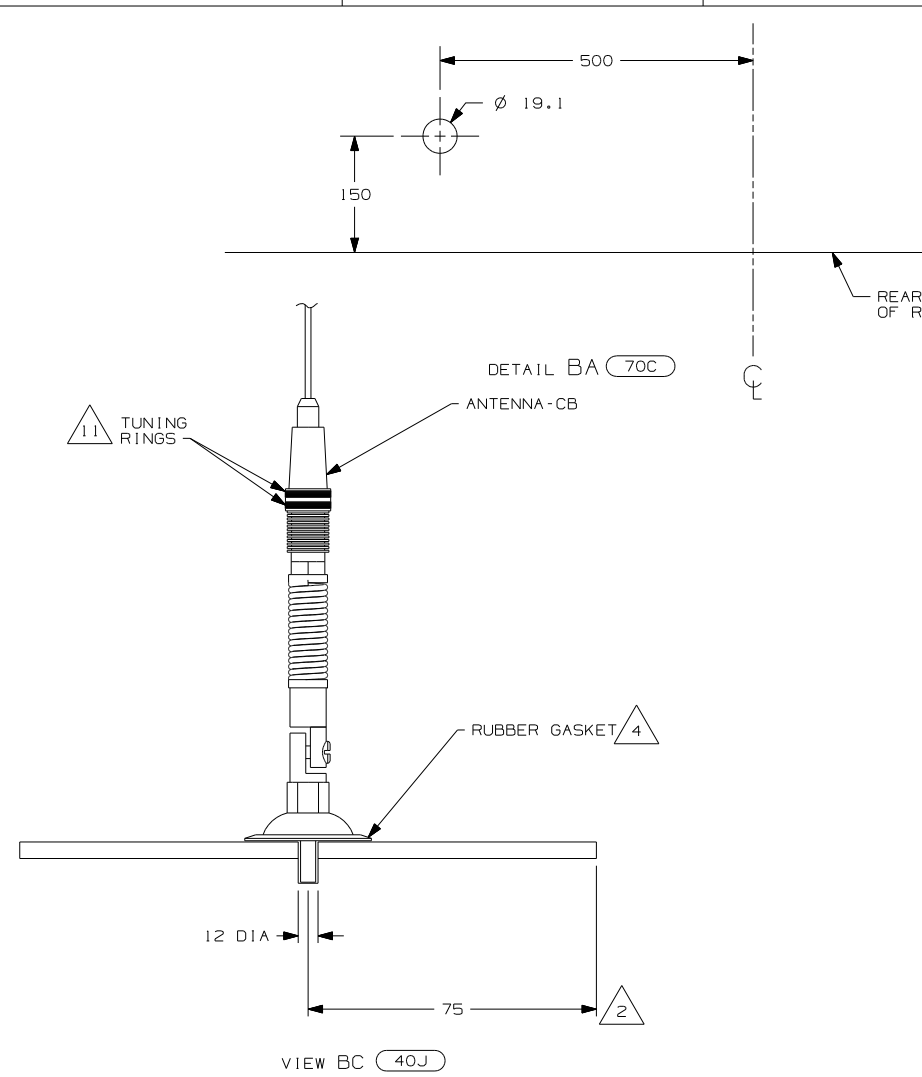
THIRD ANGLE PROJECTION

DO NOT SCALE DRAWING

TITLE: ANTENNA INSTL-RADIO AND CB

SHEET 1 OF 4 PART NO 152091 REV

REF: 1 6/15/2006

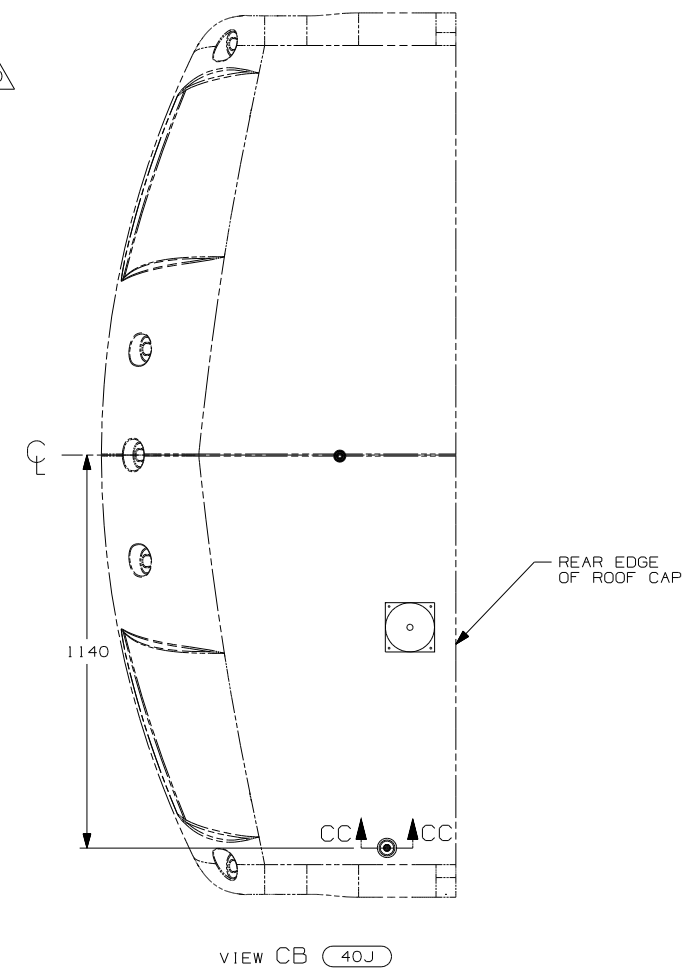
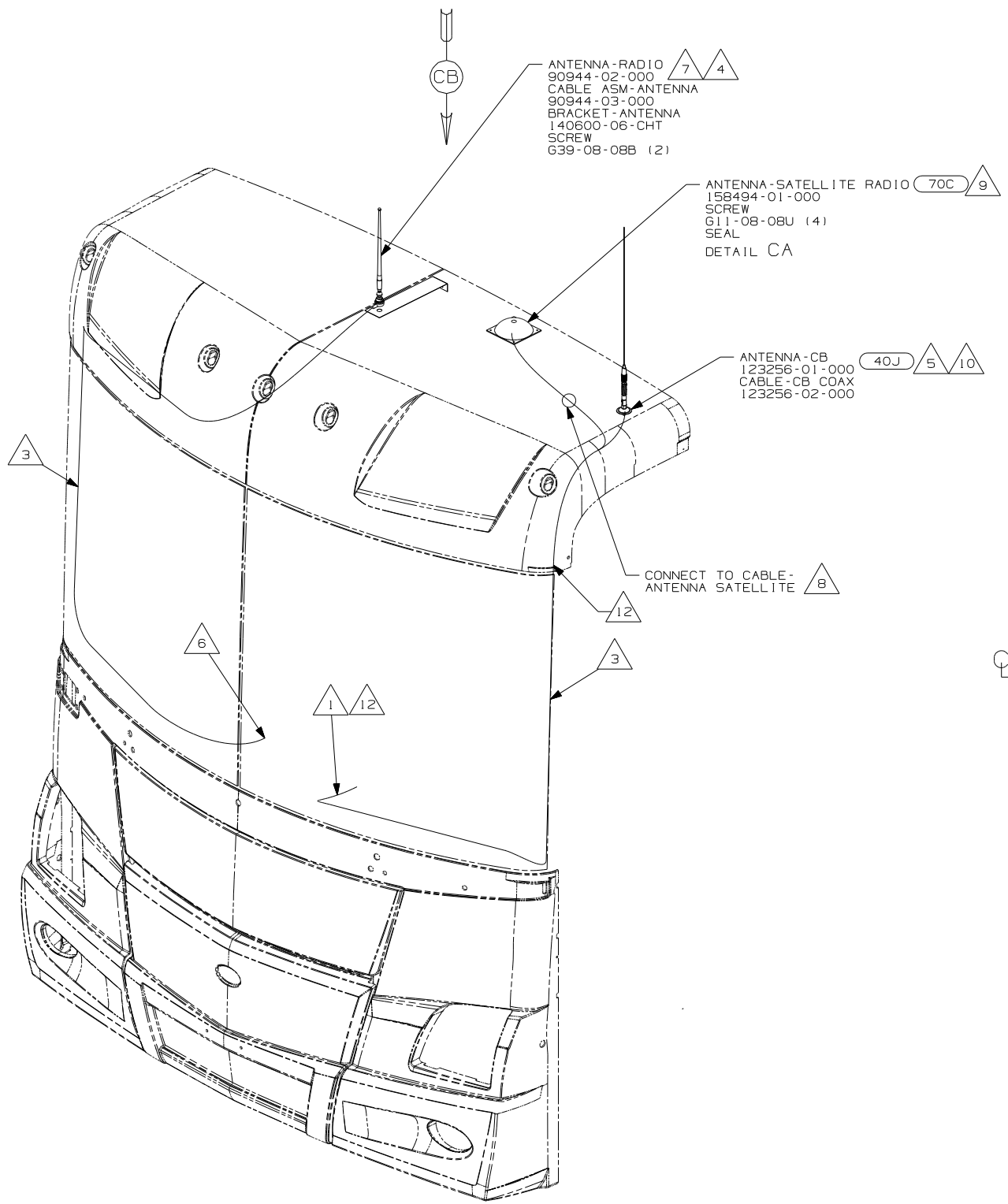
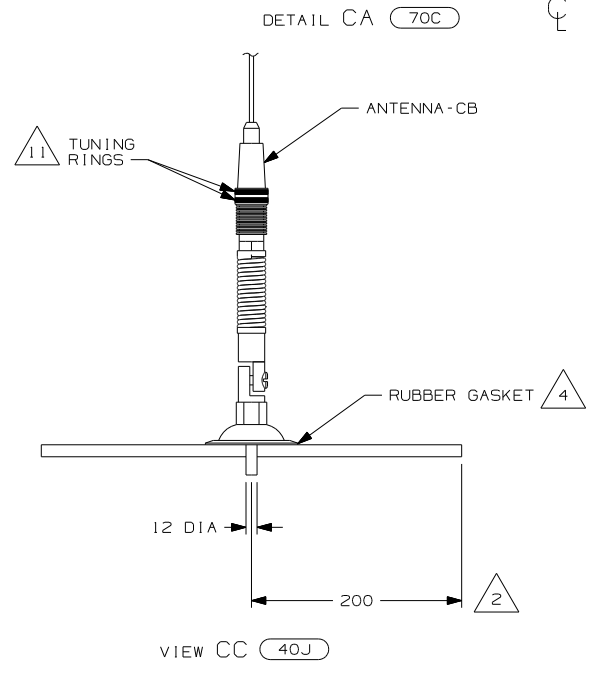
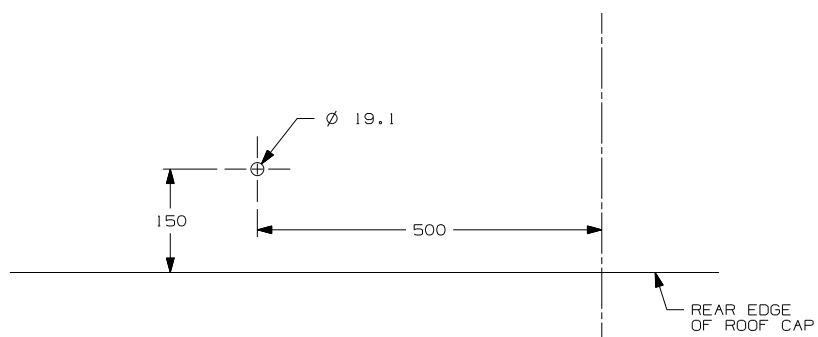


- 12 PROVIDE A 700 mm DROP OF CB ANTENNA CABLE FROM THE TOP OF THE A-PILLAR TO CONNECT TO THE ANTENNA AND PLACE THE EXCESS CABLE IN THE CB PREP BAG LOCATED UNDER THE DASH.
- 11 TUNING RINGS ARE TO BE BOTH ADJUSTED TO THE TOP OF THEIR TRAVEL AND TIGHTENED AGAINST EACH OTHER.
- 10 TIGHTEN JOINTS BETWEEN ANTENNA BASE AND ANTENNA PIVOT AND ALSO THE MAST AND ANTENNA PLATE.
- 9 MOUNT ANTENNA SUCH THAT BASE IS SQUARE W/ REAR OF ROOF CAP & HOLE IS DIRECTLY OVER HOLE IN FIBERGLASS. SEAL HOLE IN ROOF CAP, BASE AT SCREWS.
- 8 SEE WIRING INSTL-FRONT END FOR ADDITIONAL INFORMATION.
- 7 USE HOLE IN BRACKET AS GUIDE TO DRILL 13 DIAMETER HOLE IN FIBERGLASS.
- 6 TO RADIO.
- 5 ATTACH ANTENNA-CB GROUND WIRE TO CAB FRAME, USE SCREW 639-08-08B.
- 4 SEAL AROUND ANTENNA BASE.
- 3 ROUTE CABLE ALONG A-POST, UNDER TRIM COVER.
- 2 MEASURED FROM REAR EDGE OF FIBERGLASS CAP.
- 1 SEE WIRING INSTL-FRONT END FOR LOCATION OF COAX END AND LABEL.

NOTES:

70C RADIO - SATELLITE
40J CB RADIO PREP

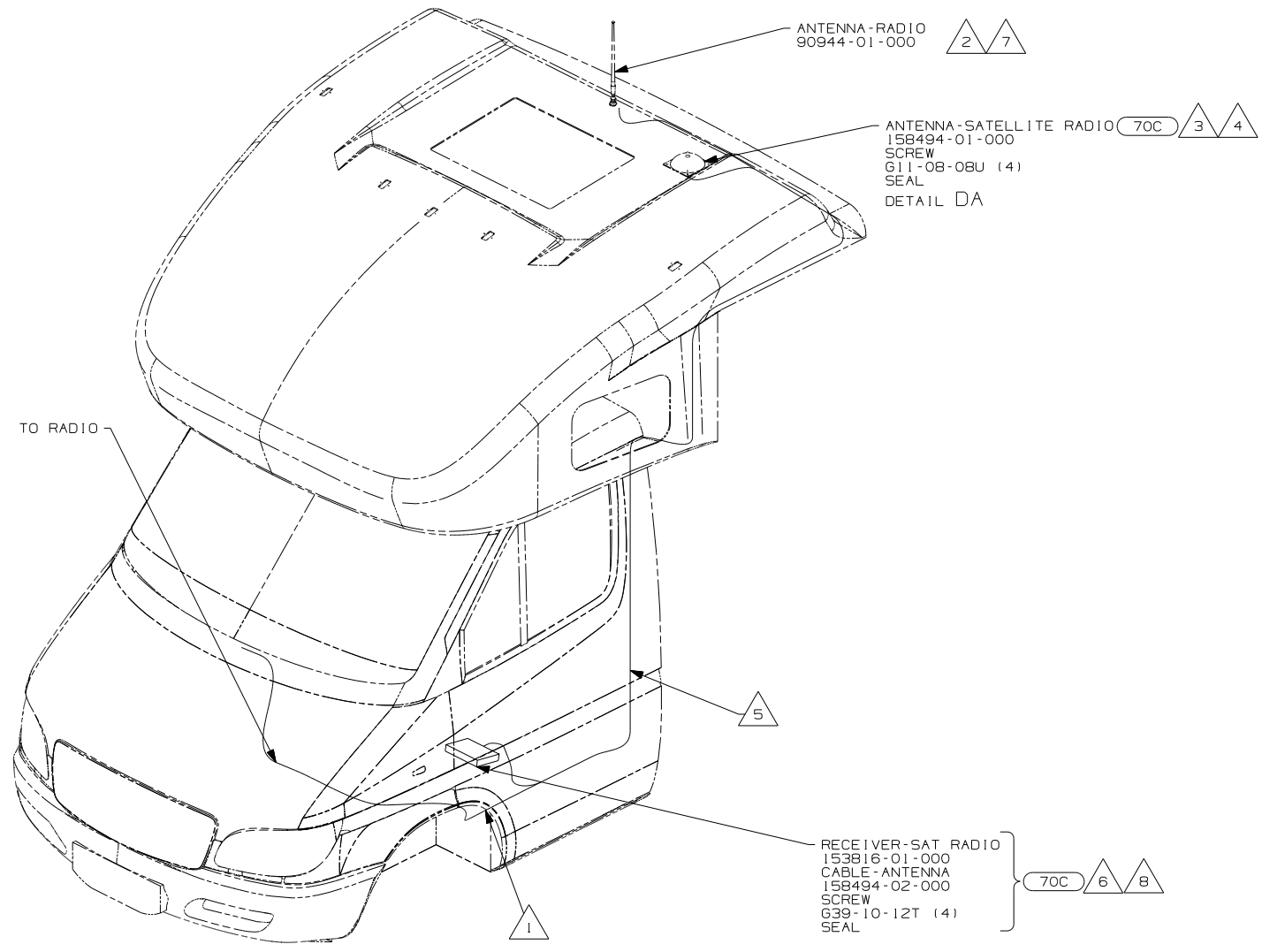
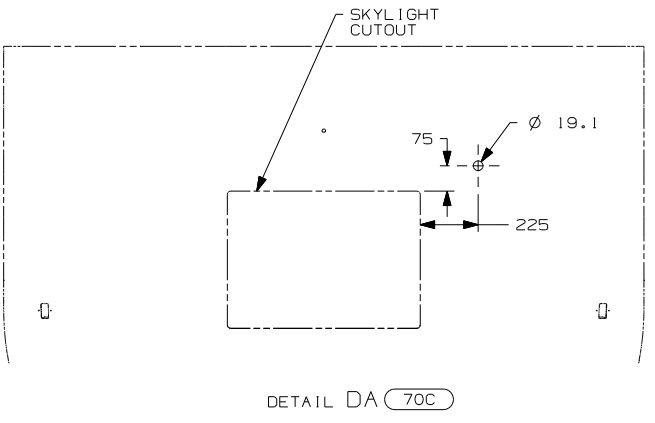
FIRST USED	
06 MOTORHOMES	
DO NOT SCALE DRAWING	
TITLE: ANTENNA INSTL-RADIO AND CB	
SHEET 2	PART NO 152091 REV



- 12 PROVIDE A 1000 DROP OF CB ANTENNA CABLE FROM THE TOP OF THE A-PILLAR TO CONNECT TO THE ANTENNA AND PLACE THE EXCESS CABLE IN THE CB PREP BAG LOCATED UNDER THE DASH.
- 11 TUNING RINGS ARE TO BE BOTH ADJUSTED TO THE TOP OF THEIR TRAVEL AND TIGHTENED AGAINST EACH OTHER.
- 10 TIGHTEN JOINTS BETWEEN ANTENNA BASE AND ANTENNA PIVOT AND ALSO THE MAST AND ANTENNA PLATE.
- 9 MOUNT ANTENNA SUCH THAT BASE IS SQUARE W/REAR OF ROOF CAP & CENTER HOLE OF ANTENNA DIRECTLY OVER HOLE IN FIBERGLASS. SEAL HOLE, BASE, AND SCREWS.
- 8 SEE WIRING INSTL-FRONT END FOR ADDITIONAL INFORMATION.
- 7 USE HOLE IN BRACKET AS GUIDE TO DRILL 13 DIAMETER HOLE IN FIBERGLASS.
- 6 TO RADIO.
- 5 ATTACH ANTENNA-CB GROUND WIRE TO CAB FRAME, USE SCREW 639-08-08B.
- 4 SEAL AROUND ANTENNA BASE.
- 3 ROUTE CABLE ALONG A-POST, UNDER TRIM COVER.
- 2 MEASURED FROM REAR EDGE OF FIBERGLASS CAP.
- 1 SEE WIRING INSTL-FRONT END FOR LOCATION OF COAX END AND LABEL.

70C RADIO - SATELLITE
40J CB RADIO PREP

FIRST USED	
06 MOTORHOMES	
DO NOT SCALE DRAWING	
TITLE: ANTENNA INSTL-RADIO AND CB	
SHEET 3	PART NO 152091



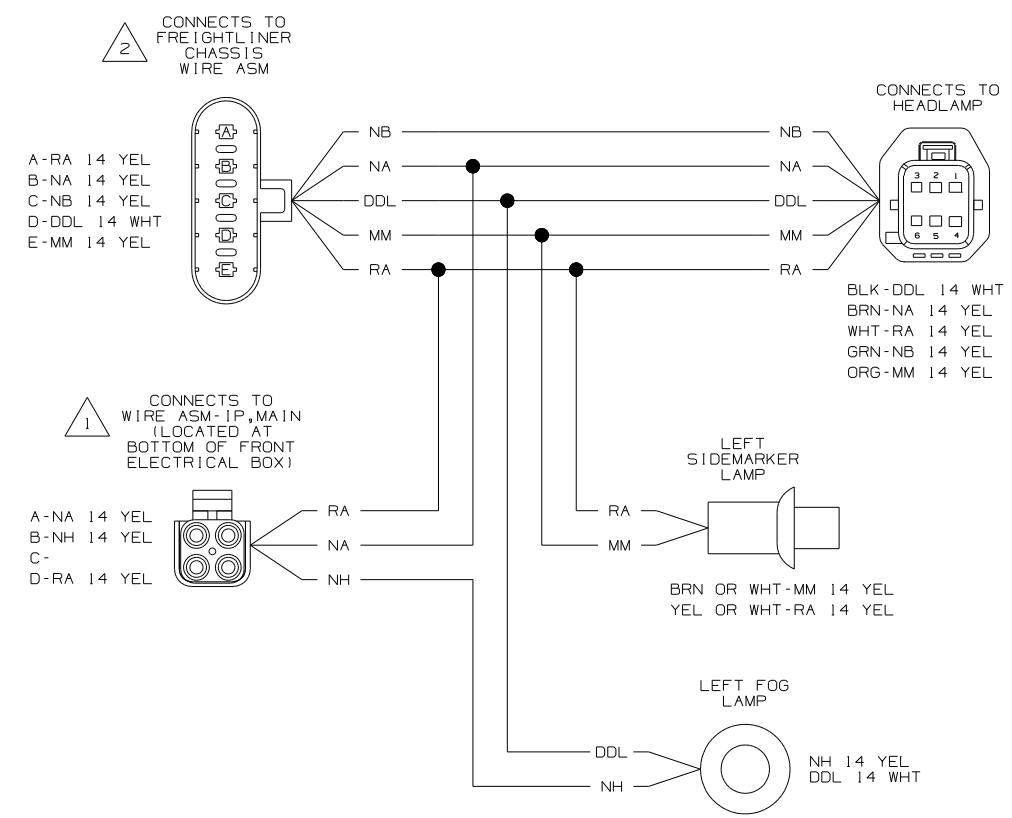
- 8 CONNECT CoNET CABLE SUPPLIED WITH SATELLITE RECEIVER BETWEEN DASH RADIO AND SATELLITE RECEIVER TERMINAL LABELED 'HEADUNIT'.
 - 7 CUT AND REMOVE A 75MM X 75MM AREA OF THE ALUMINUM INSULATION CENTERED ABOUT THE RADIO ANTENNA HOLE IN ROOF CAP.
 - 6 MOUNT RECEIVER TO FLOOR UNDER DRIVER'S SEAT. SEAL ALL SCREWS.
 - 5 ROUTE SATELLITE RADIO ANTENNA CABLE ALONG B-POST TO BENEATH DRIVERS SEAT TO SATELLITE RADIO RECEIVER. PLUG ANTENNA CABLE INTO RECEIVER TERMINAL LABELED 'ANTENNA'.
 - 4 SEE WIRE INSTL-CHASSIS FOR ADDITIONAL INFORMATION.
 - 3 MOUNT ANTENNA SUCH THAT BASE IS SQUARE W/REAR OF ROOF CAP & CENTER HOLE OF ANTENNA DIRECTLY OVER HOLE IN FIBERGLASS. SEAL HOLE, BASE, AND SCREWS.
 - 2 SEAL AROUND ANTENNA BASE.
 - 1 ROUTE RADIO ANTENNA CABLE FROM DASH RADIO THROUGH STEP WELL UP B-POST TO ROOF CAP.
- NOTES:

70C RADIO - SATELLITE

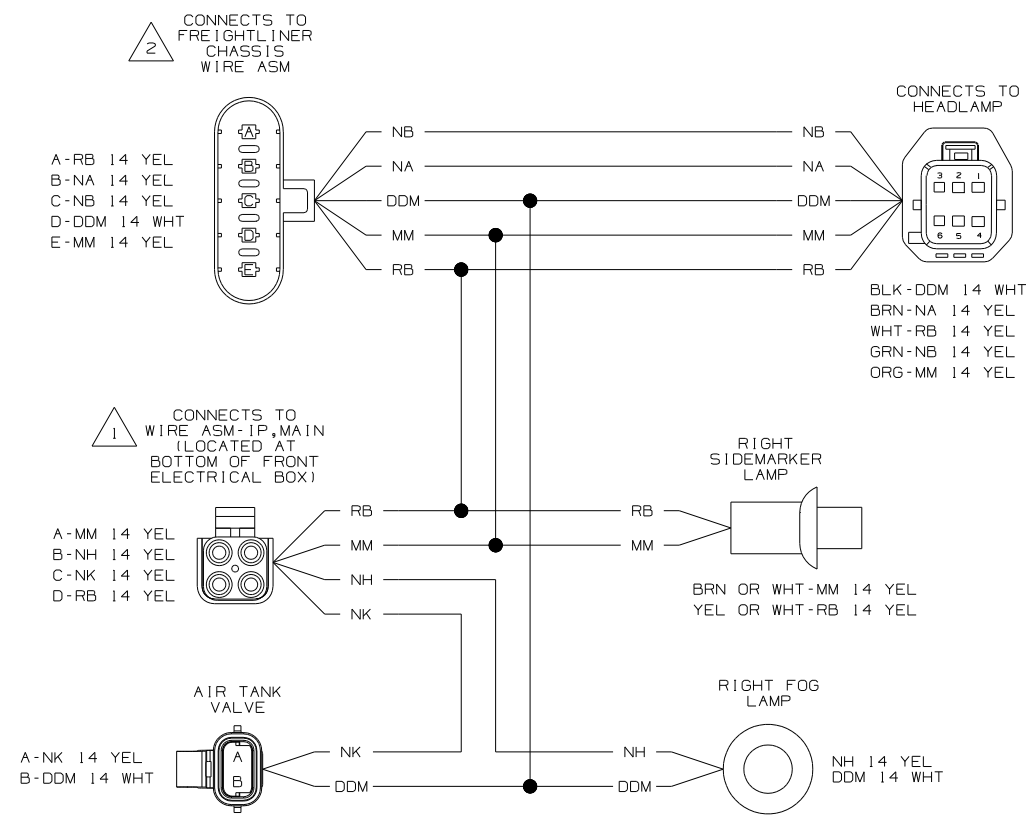
FOR ELECTRICAL TORQUE SPECIFICATIONS SEE DWG NO. 128783-01-000

FOR ELECTRICAL CALLOUTS SEE DWG NO. 121339-01-000

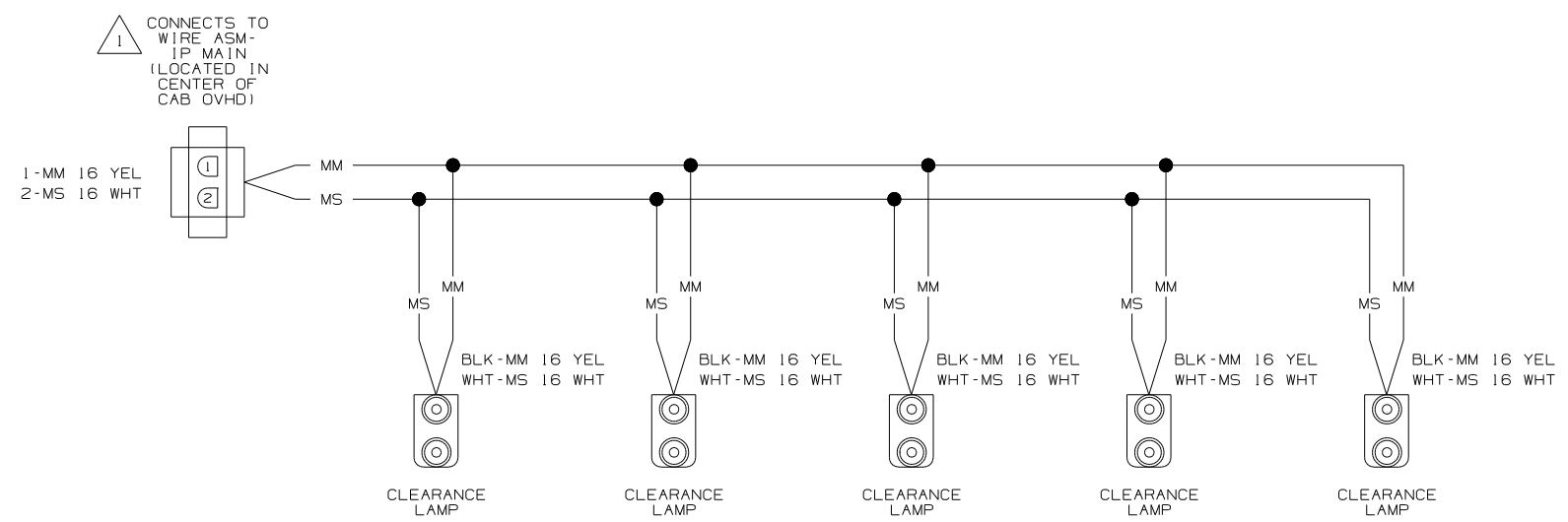
FIRST USED	
06 MOTOR HOMES	
DO NOT SCALE DRAWING	
TITLE: ANTENNA INSLT-RADIO AND CB	
SHEET 4	PART NO 152091



WIRING DIAGRAM-HEADLAMP
(WIRE ASM 146086-05 REV-K)
(WINNEBAGO)



WIRING DIAGRAM-HEADLAMP
(WIRE ASM 146086-06 REV-K)
(WINNEBAGO)



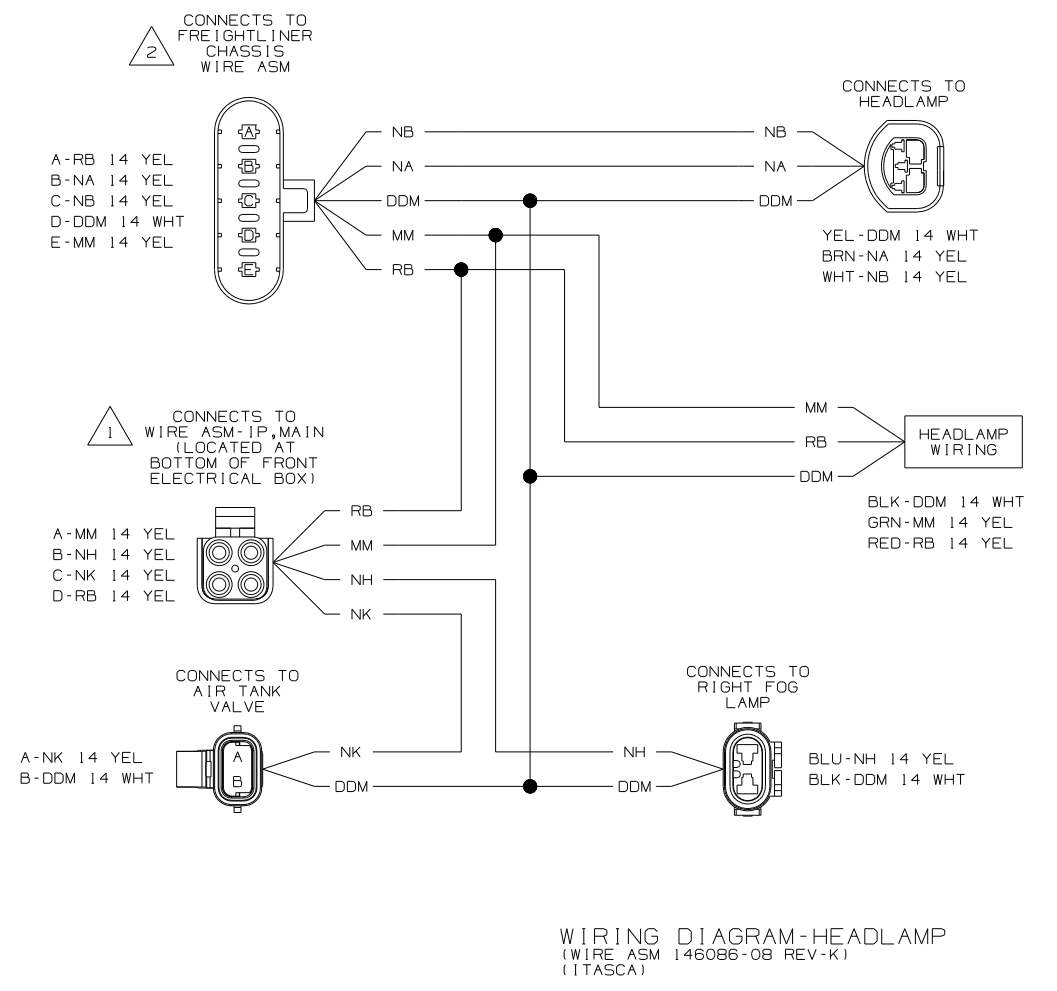
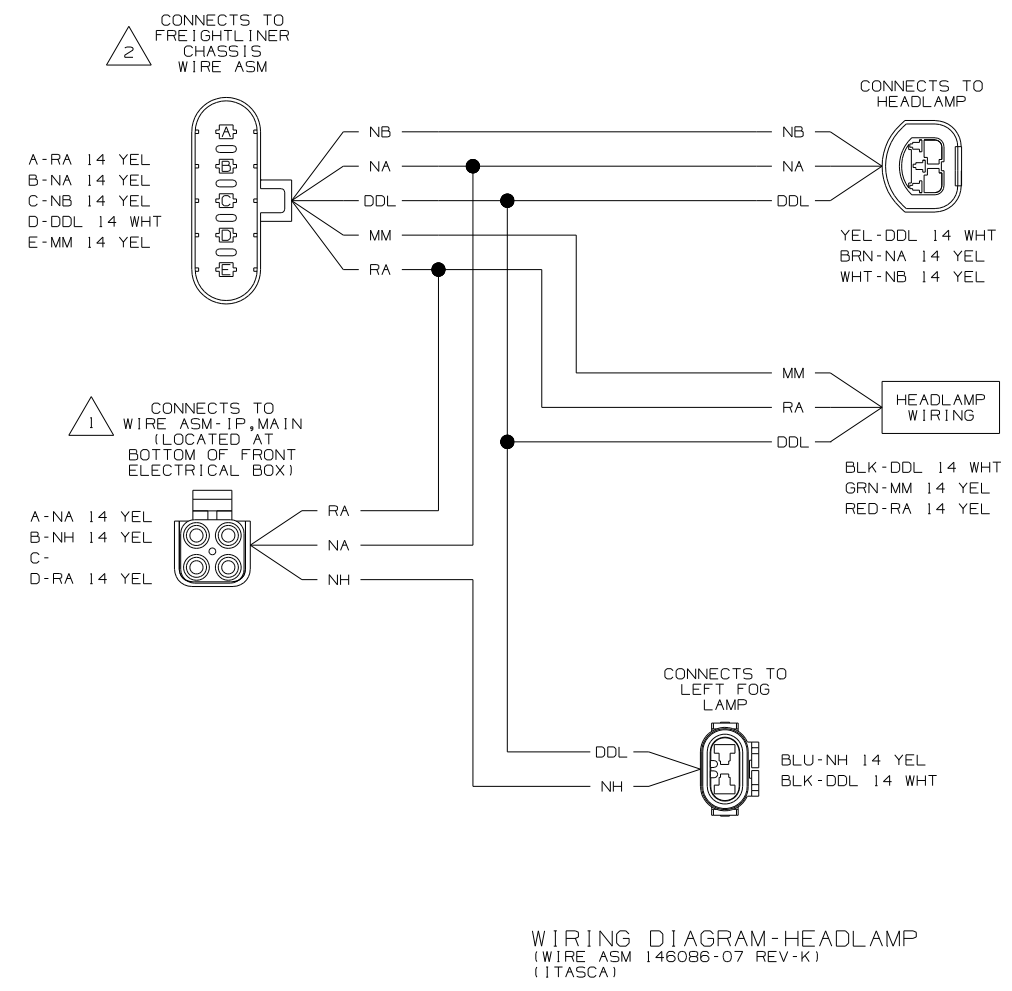
WIRING DIAGRAM-CLEARANCE LAMPS
(WIRE ASM 126486-04 REV-F)

NOTES:

2 SEE MANUFACTURER'S DIAGRAM FOR ADDITIONAL INFORMATION.

1 SEE WIRING DIAGRAM AUTO FOR ADDITIONAL INFORMATION.

WINNEBAGO		COPYRIGHT 2004 WINNEBAGO INDUSTRIES, INC.	
DFTR	ORIG. DATE	ALL DIMENSIONS ARE IN MILLIMETERS	
CHKR		FIRST USED	
P.E.		06 S-SERIES	
M.E.		UNSPECIFIED TOLERANCES ARE:	
DSNR		MATERIAL:	
		WHOLE DIM (X)	:
		ONE-PLACE (X.X)	:
		TWO-PLACE (X.XX)	:
		ANGLE	:
		THIRD ANGLE PROJECTION	⊕
DO NOT SCALE DRAWING			
TITLE: WIRING DIAGRAM-AUTO LAMPS			
SHEET 1 OF 3	PART NO	152120	
REF:	1 5/18/2005		

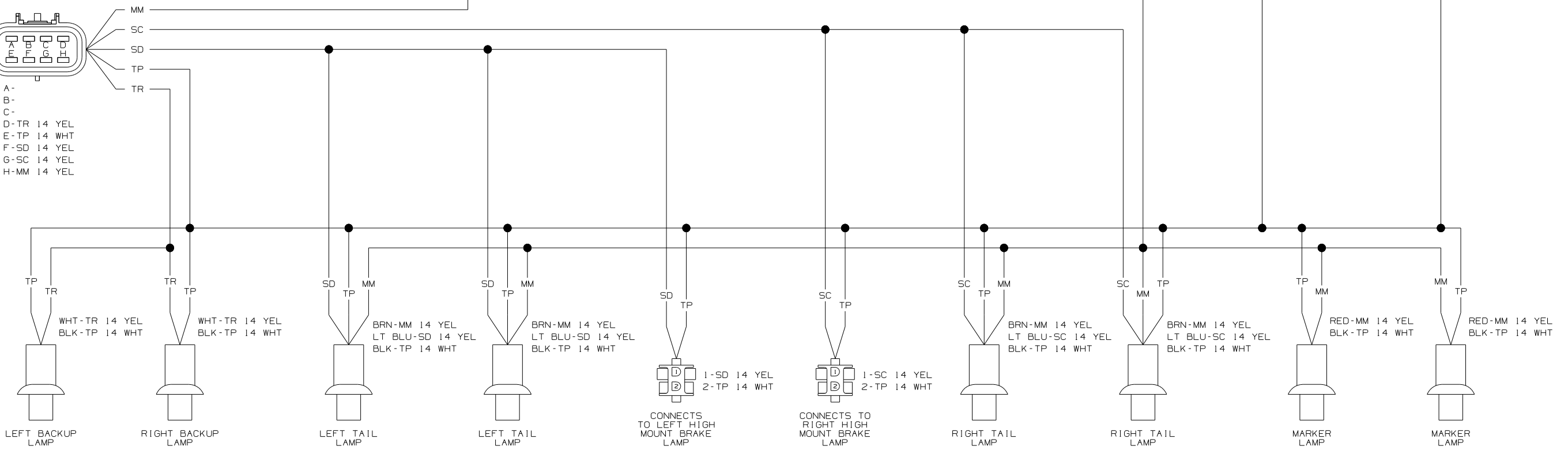
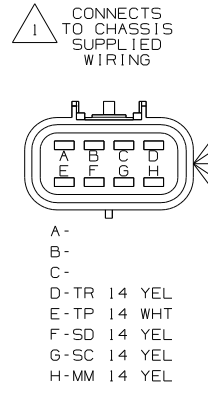
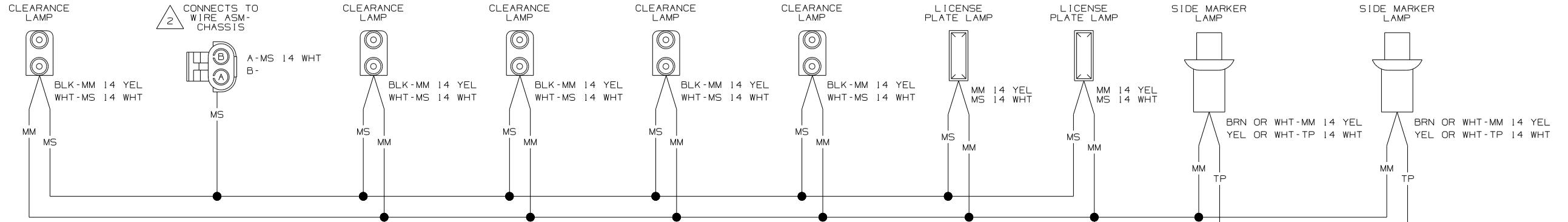


NOTES:

2 SEE MANUFACTURER'S DIAGRAM FOR ADDITIONAL INFORMATION.

1 SEE WIRING DIAGRAM AUTO FOR ADDITIONAL INFORMATION.

FIRST USED	06 S-SERIES
TITLE	DO NOT SCALE DRAWING
SHEET 2	PART NO 152120



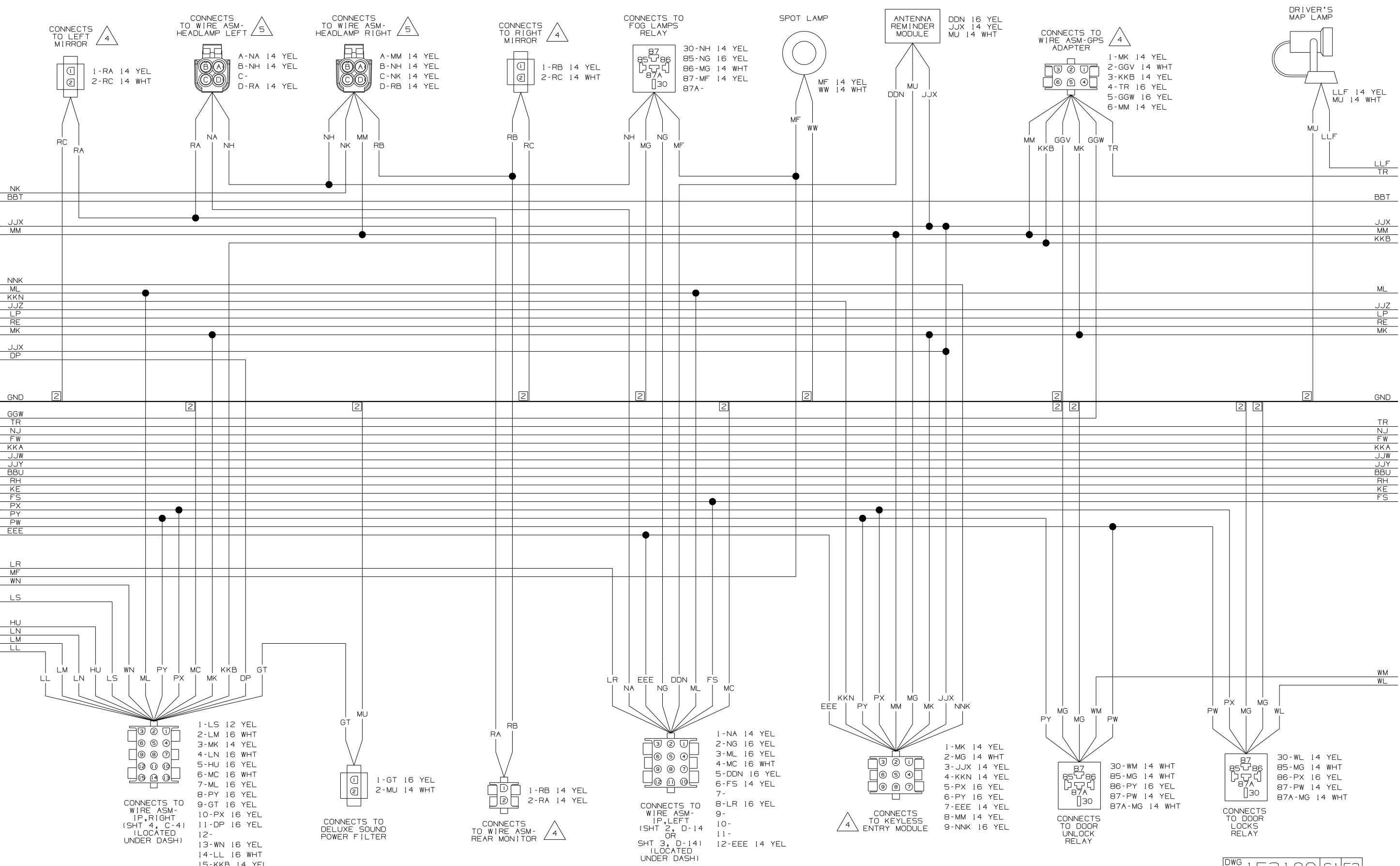
NOTES:

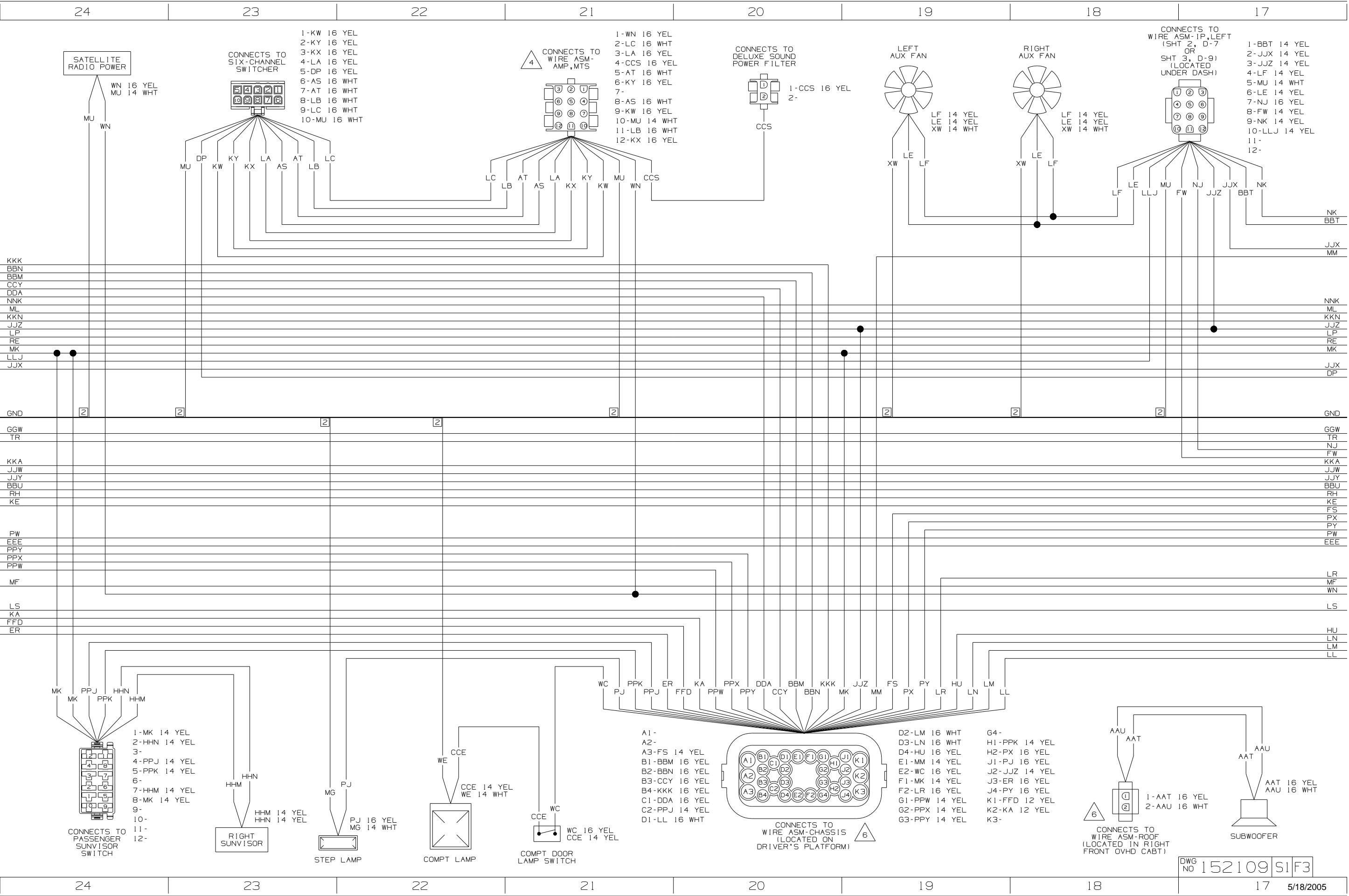
2 SEE WIRING DIAGRAM-BODY,12V FOR ADDITIONAL INFORMATION.

1 SEE MANUFACTURER'S DIAGRAM FOR ADDITIONAL INFORMATION.

WIRING DIAGRAM-BACKWALL,FL
(WIRE ASM 146221-06 REV-K1)

FIRST USED	06 S-SERIES
TITLE	DO NOT SCALE DRAWING
TITLE	WIRING DIAGRAM-AUTO LAMPS
SHEET 3	PART NO 152120





SATELLITE RADIO POWER

CONNECTS TO SIX-CHANNEL SWITCHER

CONNECTS TO WIRE ASM-MTS

CONNECTS TO DELUXE SOUND POWER FILTER

LEFT AUX FAN

RIGHT AUX FAN

CONNECTS TO WIRE ASM-IP, LEFT (SHT 2, D-7) OR SHT 3, D-9) (LOCATED UNDER DASH)

- 1-BBT 14 YEL
- 2-JJX 14 YEL
- 3-JJZ 14 YEL
- 4-LF 14 YEL
- 5-MU 14 WHT
- 6-LE 14 YEL
- 7-NJ 16 YEL
- 8-FW 14 YEL
- 9-NK 14 YEL
- 10-LLJ 14 YEL
- 11-
- 12-

WN 16 YEL
MU 14 WHT

- 1-KW 16 YEL
- 2-KY 16 YEL
- 3-KX 16 YEL
- 4-LA 16 YEL
- 5-DP 16 YEL
- 6-AS 16 WHT
- 7-AT 16 WHT
- 8-LB 16 WHT
- 9-LC 16 WHT
- 10-MU 16 WHT

- 1-WN 16 YEL
- 2-LC 16 WHT
- 3-LA 16 YEL
- 4-CCS 16 YEL
- 5-AT 16 WHT
- 6-KY 16 YEL
- 7-
- 8-AS 16 WHT
- 9-KW 16 YEL
- 10-MU 14 WHT
- 11-LB 16 WHT
- 12-KX 16 YEL

1-CCS 16 YEL
2-

LF 14 YEL
LE 14 YEL
XW 14 WHT

LF 14 YEL
LE 14 YEL
XW 14 WHT

NK
BBT

JJX
MM

NNK
ML

KKN
JJZ

LP
RE
MK

JJX
DP

GND

GGW
TR

KKA
JJW

JJY
BBU

RH
KE

FS
PX
PY
PW
EEE

LR
MF
WN

LS
KA
FFD
ER

HU
LN
LM
LL

AAU
AAT

AAT 16 YEL
AAU 16 WHT

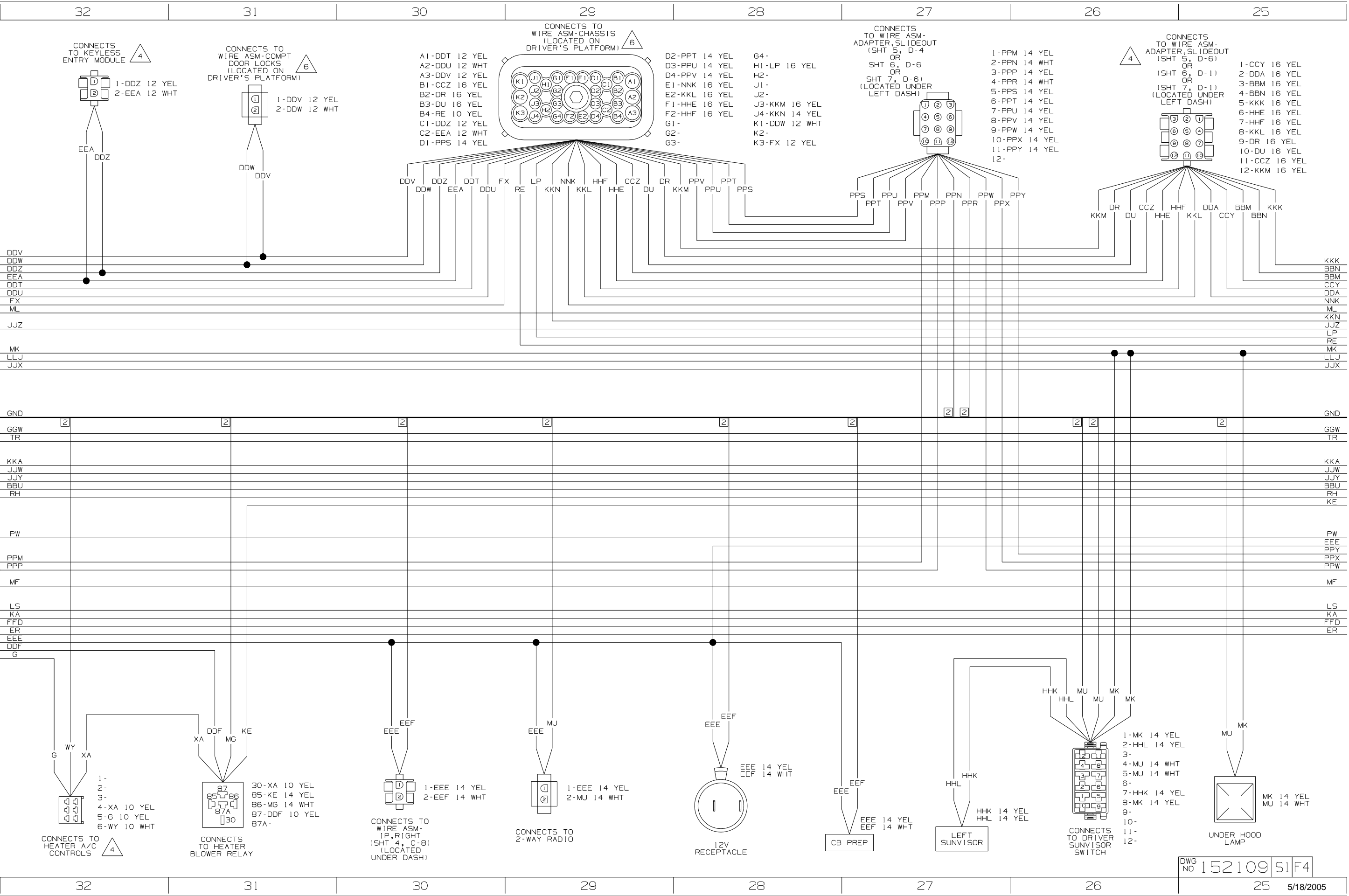
1-AAT 16 YEL
2-AAU 16 WHT

AAT 16 YEL
AAU 16 WHT

CONNECTS TO WIRE ASM-ROOF (LOCATED IN RIGHT FRONT OVHD CABT)

SUBWOOFER

DWG No 152109 S1 F3 5/18/2005



CONNECTS TO KEYLESS ENTRY MODULE (4)

CONNECTS TO WIRE ASM-COMPT DOOR LOCKS (LOCATED ON DRIVER'S PLATFORM) (6)

CONNECTS TO WIRE ASM-CHASSIS (LOCATED ON DRIVER'S PLATFORM) (6)

CONNECTS TO WIRE ASM-ADAPTER, SLIDEOUT (SHT 5, D-4) OR SHT 6, D-6 OR SHT 7, D-6 (LOCATED UNDER LEFT DASH)

CONNECTS TO WIRE ASM-ADAPTER, SLIDEOUT (SHT 5, D-6) OR (SHT 6, D-11) OR (SHT 7, D-11) (LOCATED UNDER LEFT DASH) (4)

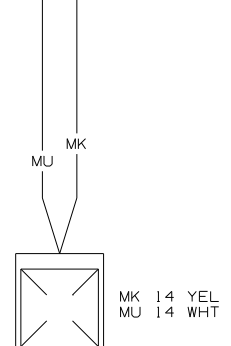
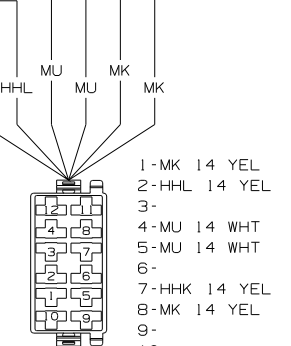
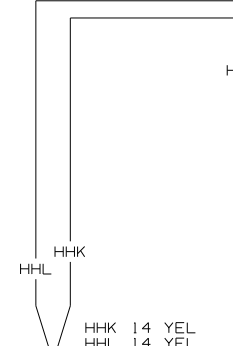
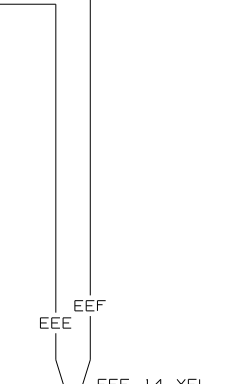
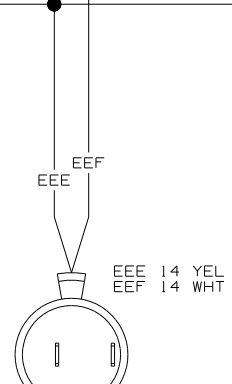
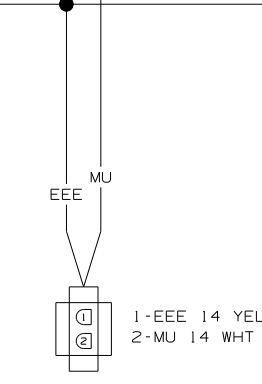
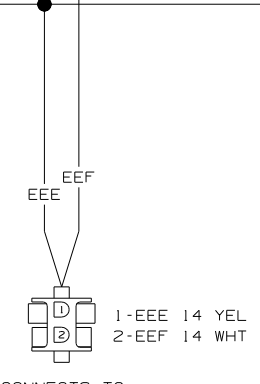
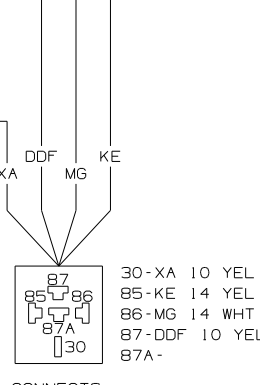
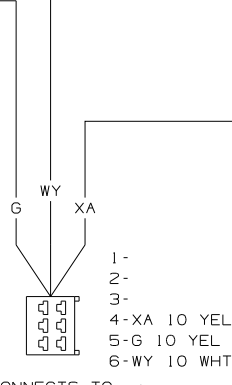
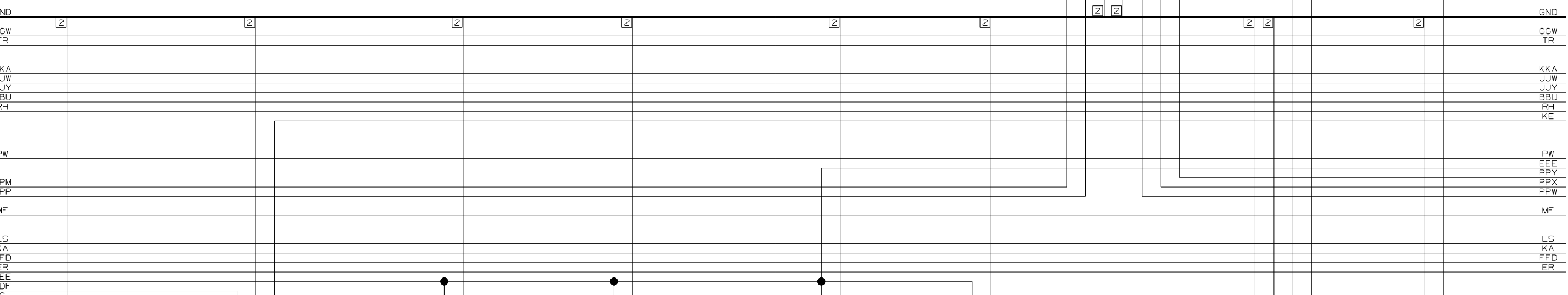
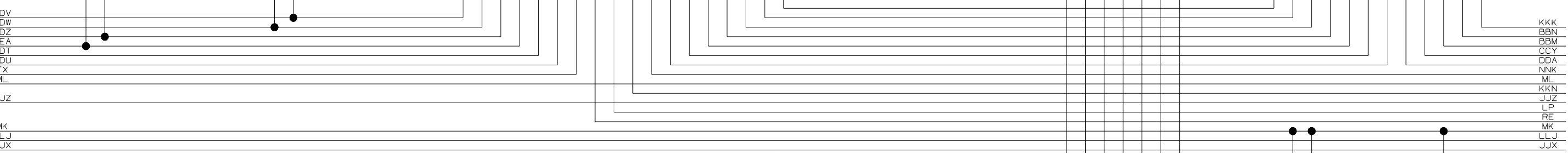
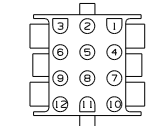
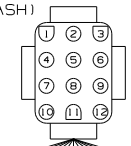
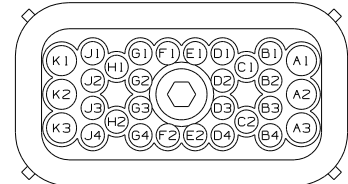
- A1-DDT 12 YEL
- A2-DDU 12 WHT
- A3-DDV 12 YEL
- B1-CCZ 16 YEL
- B2-DR 16 YEL
- B3-DU 16 YEL
- B4-RE 10 YEL
- C1-DDZ 12 YEL
- C2-EEA 12 WHT
- D1-PPS 14 YEL

- D2-PPT 14 YEL
- D3-PPU 14 YEL
- D4-PPV 14 YEL
- E1-NNK 16 YEL
- E2-KKL 16 YEL
- F1-HHE 16 YEL
- F2-HHF 16 YEL
- G1-
- G2-
- G3-

- G4-
- H1-LP 16 YEL
- H2-
- J1-
- J2-
- J3-KKM 16 YEL
- J4-KKN 14 YEL
- K1-DDW 12 WHT
- K2-
- K3-FX 12 YEL

- 1-PPM 14 YEL
- 2-PPN 14 WHT
- 3-PPP 14 YEL
- 4-PPR 14 WHT
- 5-PPS 14 YEL
- 6-PPT 14 YEL
- 7-PPU 14 YEL
- 8-PPV 14 YEL
- 9-PPW 14 YEL
- 10-PPX 14 YEL
- 11-PPY 14 YEL
- 12-

- 1-CCY 16 YEL
- 2-DDA 16 YEL
- 3-BBM 16 YEL
- 4-BBN 16 YEL
- 5-KKK 16 YEL
- 6-HHE 16 YEL
- 7-HHF 16 YEL
- 8-KKL 16 YEL
- 9-DR 16 YEL
- 10-DU 16 YEL
- 11-CCZ 16 YEL
- 12-KKM 16 YEL



CONNECTS TO HEATER A/C CONTROLS 4

CENTER SUNVISOR

CONNECTS TO HWH WIRE ASM 4

CONNECTS TO CHASSIS IP WIRE ASM 4

CONNECTS TO AUX START SOLENOID RELAY

CONNECTS TO LEFT COMPT DOOR UNLOCK RELAY

CONNECTS TO LEFT COMPT DOOR LOCK RELAY

CONNECTS TO RIGHT COMPT DOOR UNLOCK RELAY

CONNECTS TO RIGHT COMPT DOOR LOCK RELAY

- 1-MC 16 WHT
- 2-ML 16 YEL

- RRM 14 YEL
- RRN 14 YEL

- DDJ 14 YEL

- A-DDJ 14 YEL
- B-
- C-TR 16 YEL
- D-
- E-GGW 16 YEL
- F-
- G-
- H-LLH 14 WHT

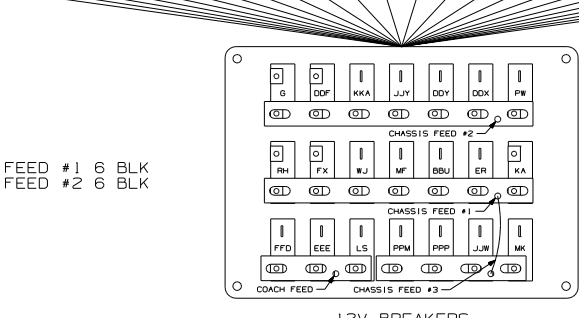
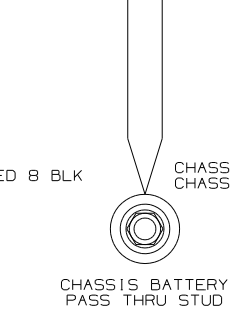
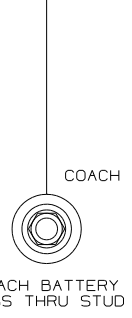
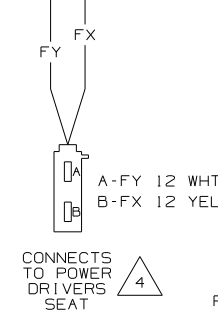
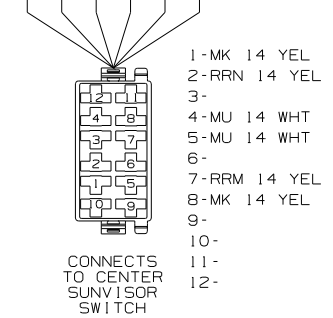
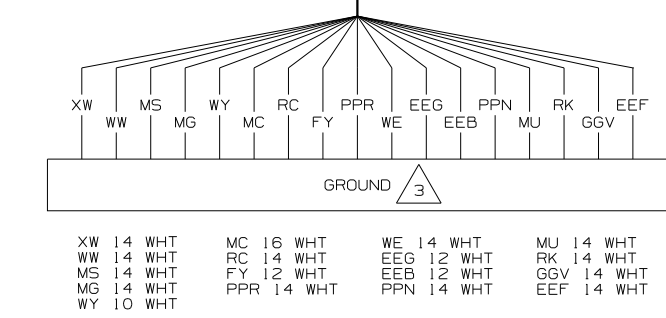
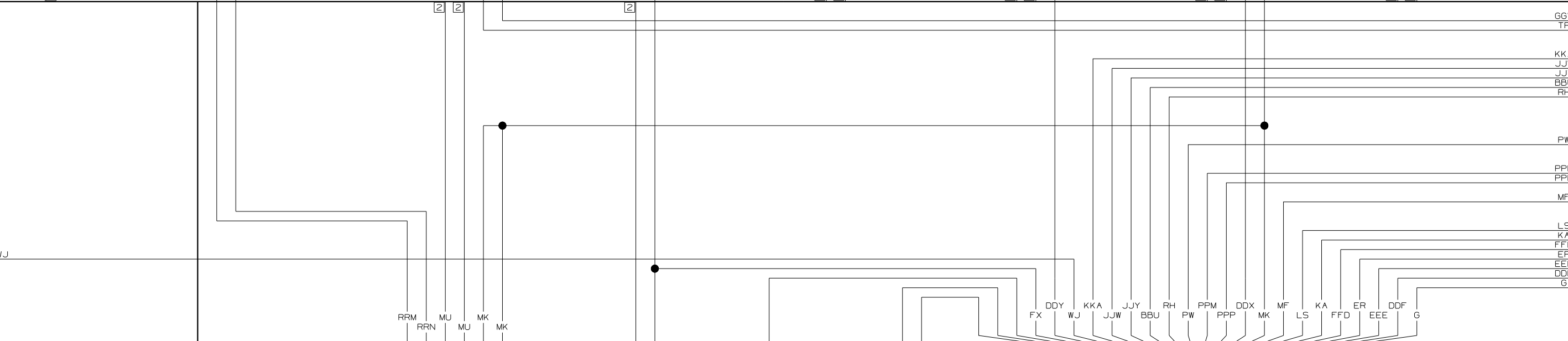
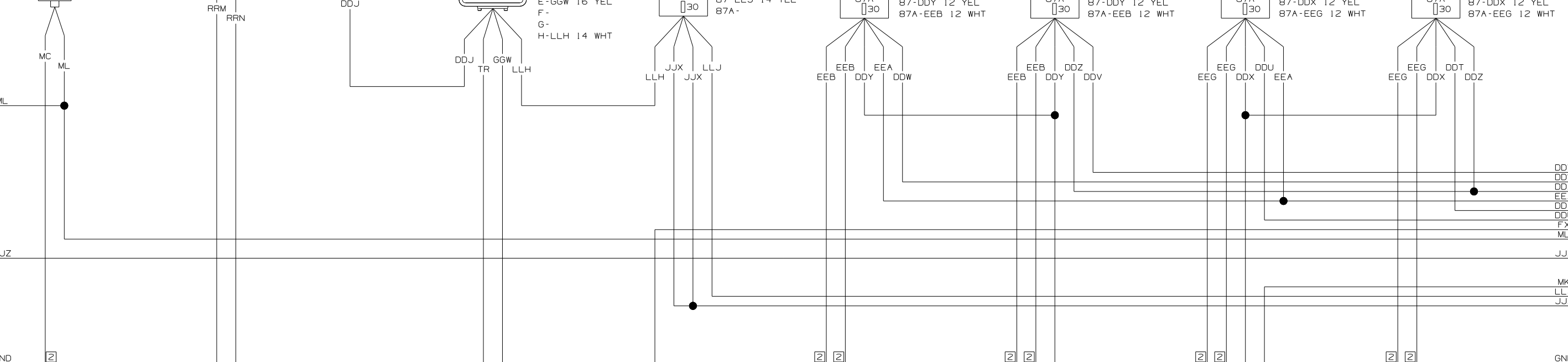
- 30-JJX 14 YEL
- 85-JJX 14 YEL
- 86-LLH 14 WHT
- 87-LLJ 14 YEL
- 87A-

- 30-DDW 12 WHT
- 85-EEB 12 WHT
- 86-EEA 12 WHT
- 87-DDY 12 YEL
- 87A-EEB 12 WHT

- 30-DDV 12 YEL
- 85-EEB 12 WHT
- 86-DDZ 12 YEL
- 87-DDY 12 YEL
- 87A-EEB 12 WHT

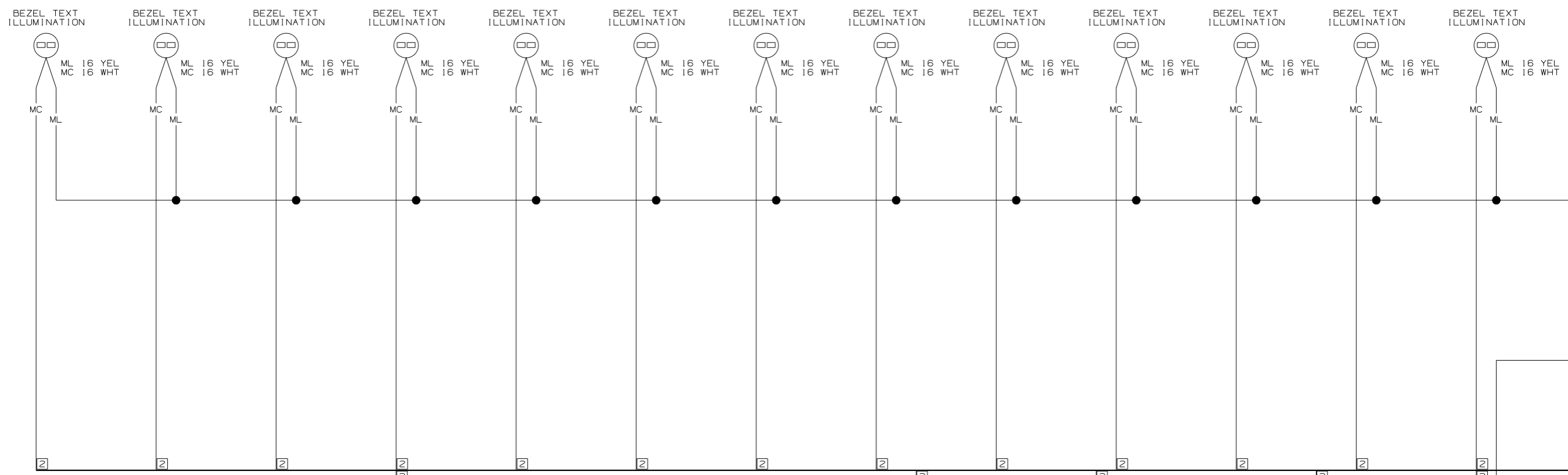
- 30-DDU 12 WHT
- 85-EEG 12 WHT
- 86-EEA 12 WHT
- 87-DDX 12 YEL
- 87A-EEG 12 WHT

- 30-DDT 12 YEL
- 85-EEG 12 WHT
- 86-DDZ 12 YEL
- 87-DDX 12 YEL
- 87A-EEG 12 WHT

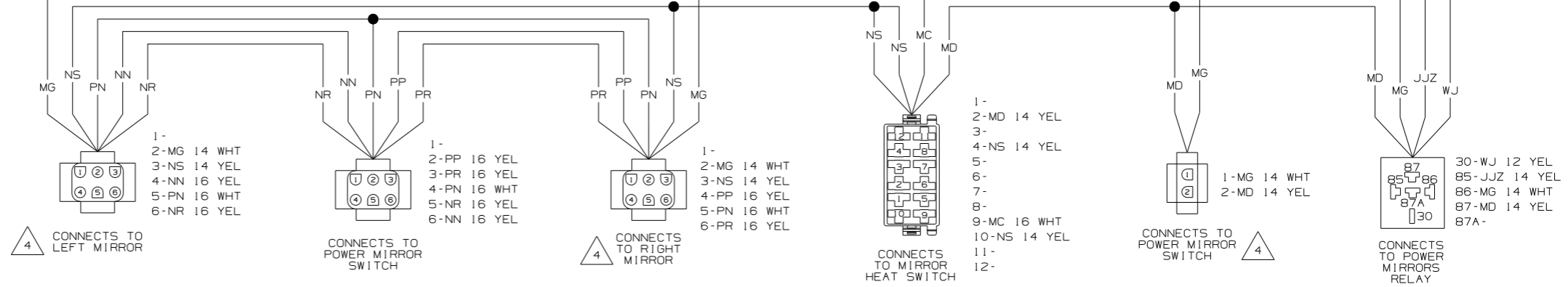


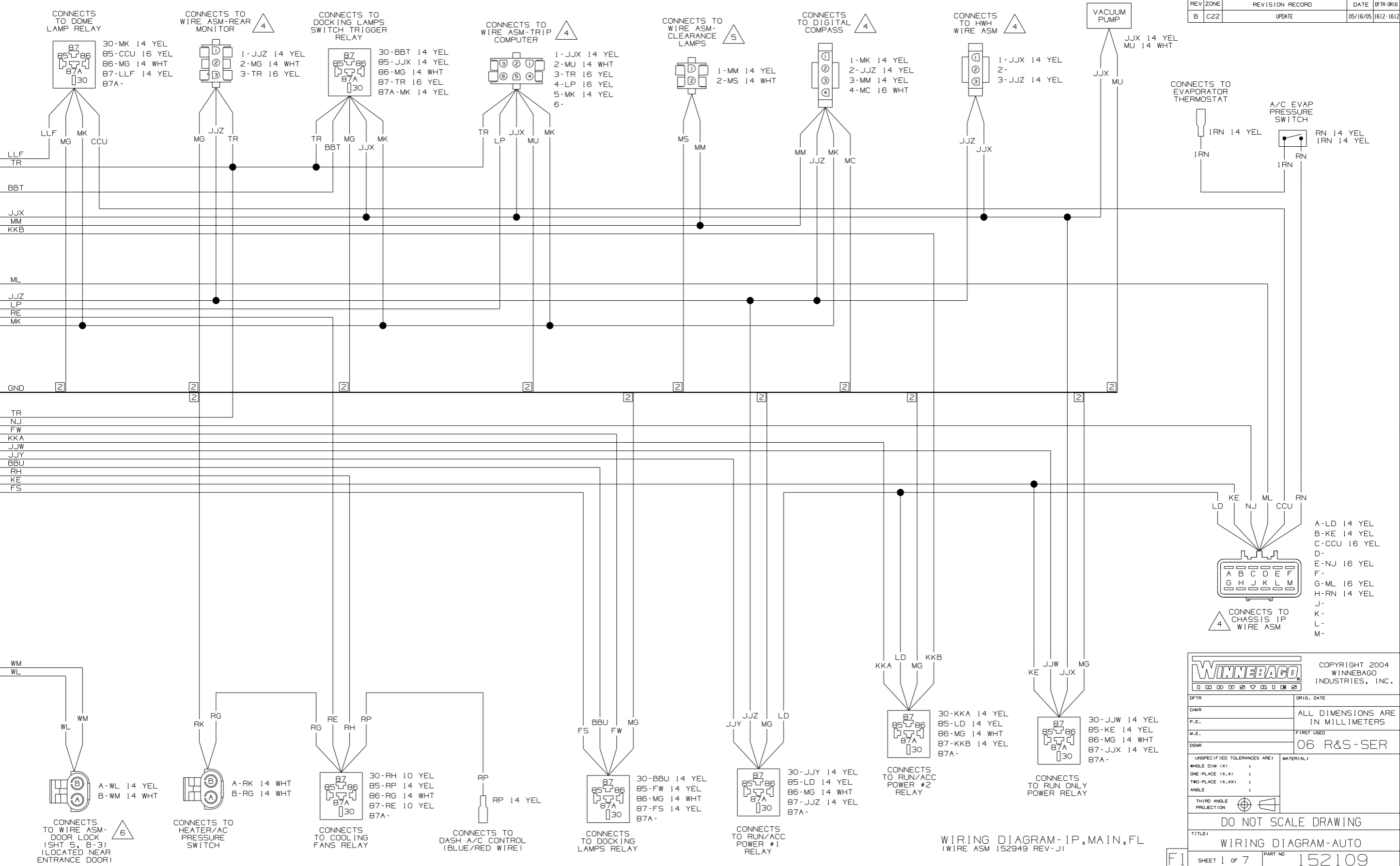
- 6-10 YEL
- DDF 10 YEL
- KKA 14 YEL
- JJY 14 YEL
- DDY 12 YEL
- DDX 12 YEL
- PW 14 YEL
- RH 10 YEL
- FJ 12 YEL
- WJ 12 YEL
- MF 14 YEL
- BBU 14 YEL
- ER 16 YEL
- KA 12 YEL
- FFD 12 YEL
- EEE 14 YEL
- LS 12 YEL
- PPM 14 YEL
- JYW 14 YEL
- MK 14 YEL
- COACH FEED 8 BLK
- CHASSIS FEED #1 6 BLK
- CHASSIS FEED #2 6 BLK
- CHASSIS FEED #3 10 YEL

(LOCATED ON STEERING COLUMN)



- 6 SEE WIRING DIAGRAM-BODY,12V FOR ADDITIONAL INFORMATION.
 - 5 SEE WIRING DIAGRAM-AUTO LAMPS FOR ADDITIONAL INFORMATION.
 - 4 SEE MANUFACTURERS DIAGRAM FOR ADDITIONAL INFORMATION.
 - 3 GROUNDS ARE SHOWN AS A SINGLE LINE FOR EASE IN TRACING. EACH GROUND CIRCUIT IS SEPERATE IN THE HARNESS.
 - 2 NOT A SPLICE POINT. INDICATES ENTRY INTO WIRING HARNESS.
- NOTES:
1. SPLICES ARE THEORETICAL AND MAY DIFFER IN THE HARNESS.

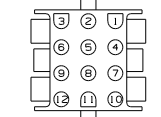




WIRING DIAGRAM-IP,MAIN,FL
(WIRE ASM 152949 REV-J)

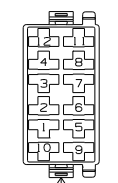
WINNEBAGO		COPYRIGHT 2004 WINNEBAGO INDUSTRIES, INC.
DFTR	ORIG. DATE	
CHR	ALL DIMENSIONS ARE IN MILLIMETERS	
P.E.		
M.E.	FIRST USED	
DSNR	06 R&S-SER	
UNSPECIFIED TOLERANCES ARE:		MATERIAL:
WHOLE DIM (X)	:	
ONE-PLACE (X.X)	:	
TWO-PLACE (X.XX)	:	
ANGLE	:	
THIRD ANGLE PROJECTION		
DO NOT SCALE DRAWING		
TITLE: WIRING DIAGRAM-AUTO		
SHEET 1 of 7	PART NO	152109

CONNECTS TO WIRE ASM-IP,MAIN,FL (SHT 1, D-7) (LOCATED UNDER DASH)



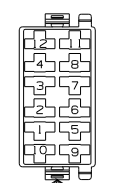
- 1-BBT 14 YEL
- 2-JJX 14 YEL
- 3-JJZ 14 YEL
- 4-LF 14 YEL
- 5-MU 14 WHT
- 6-LE 14 YEL
- 7-NJ 16 YEL
- 8-FW 14 YEL
- 9-NK 14 YEL
- 10-LLJ 14 YEL
- 11-
- 12-

CONNECTS TO DEFROST FANS SWITCH



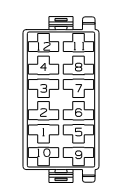
- 1-LF 14 YEL
- 2-JJZ 14 YEL
- 3-
- 4-LE 14 YEL
- 5-
- 6-
- 7-
- 8-
- 9-
- 10-
- 11-
- 12-

CONNECTS TO AIR HORN SWITCH



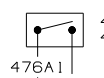
- 1-
- 2-NJ 16 YEL
- 3-
- 4-NK 14 YEL
- 5-
- 6-JJX 14 YEL
- 7-
- 8-JJX1 14 YEL
- 9-MC 16 WHT
- 10-JJX1 14 YEL
- 11-
- 12-

CONNECTS TO PEDAL ADJUST SWITCH



- 1-476A1 14 YEL
- 2-
- 3-
- 4-476A2 14 YEL
- 5-476A2 14 YEL
- 6-
- 7-
- 8-476A1 14 YEL
- 9-
- 10-
- 11-
- 12-

CHASSIS SUPPLIED PEDAL ADJUST SWITCH



- 476A1 14 YEL
- 476A2 14 YEL

BBT
FW
LLJ
MU

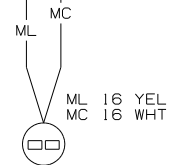
LF
JJZ
LE

NJ
NK
MC
JJX
JJX1

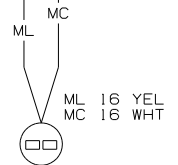
476A2
476A1
476A2
476A1

476A1
476A2

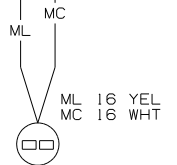
MC
ML



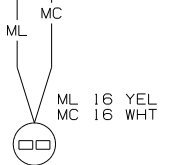
CONNECTS TO FOG LAMPS SWITCH ILLUMINATION



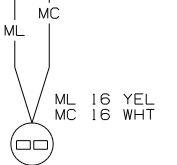
CONNECTS TO FOG LAMPS SWITCH ILLUMINATION



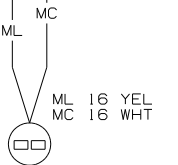
CONNECTS TO DOCKING LAMPS SWITCH ILLUMINATION



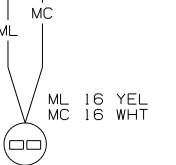
CONNECTS TO DOCKING LAMPS SWITCH ILLUMINATION



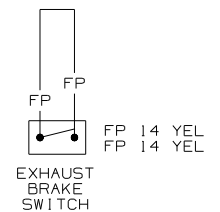
CONNECTS TO PEDAL ADJUST SWITCH ILLUMINATION



CONNECTS TO PEDAL ADJUST SWITCH ILLUMINATION



CONNECTS TO PEDAL ADJUST SWITCH ILLUMINATION



EXHAUST BRAKE SWITCH
FP 14 YEL
FP 14 YEL

WIRING DIAGRAM-IP,LEFT (WIRE ASM 145533-04 REV-M)

FIRST USED	06 R&S-SER	
TITLE	DO NOT SCALE DRAWING	
	WIRING DIAGRAM-AUTO	
SHEET 2	PART NO	152109

CONNECTS TO FOG LAMPS SWITCH

- 1-
- 2-NA 14 YEL
- 3-
- 4-NG 16 YEL
- 5-
- 6-
- 7-
- 8-
- 9-MC 16 WHT
- 10-NG 16 YEL
- 11-
- 12-

CONNECTS TO WIRE ASM- IP,MAIN,FL (SHT 1, A-13) (LOCATED UNDER DASH)

- 1-NA 14 YEL
- 2-NG 16 YEL
- 3-ML 16 YEL
- 4-MC 16 WHT
- 5-DDN 16 YEL
- 6-FS 14 YEL
- 7-
- 8-LR 14 YEL
- 9-
- 10-
- 11-
- 12-EEE 14 YEL

CONNECTS TO BATTERY BOOST SWITCH

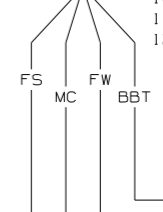
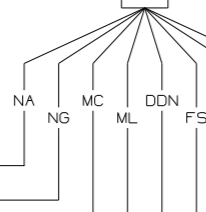
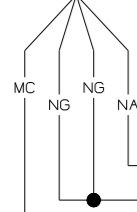
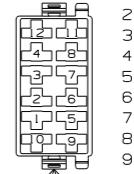
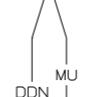
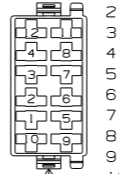
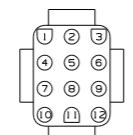
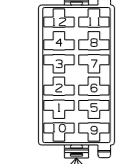
- 1-EEE 14 YEL
- 2-LR 14 YEL
- 3-
- 4-LLJ 14 YEL
- 5-
- 6-
- 7-
- 8-
- 9-
- 10-
- 11-
- 12-

ANTENNA WARNING LAMP

DDN 16 YEL
MU 14 WHT

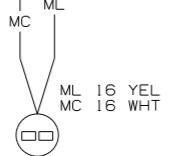
CONNECTS TO DOCKING LAMPS SWITCH

- 1-
- 2-BBT 14 YEL
- 3-
- 4-FW 14 YEL
- 5-
- 6-
- 7-
- 8-
- 9-MC 16 WHT
- 10-FS 14 YEL
- 11-
- 12-

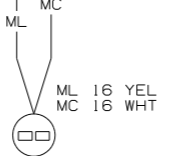


BBT
FW
LLJ
MU

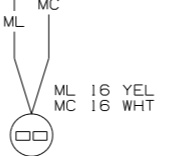
MC
ML



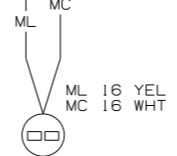
CONNECTS TO AIR HORN SWITCH ILLUMINATION



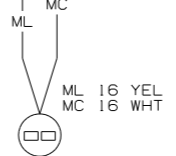
CONNECTS TO AIR HORN SWITCH ILLUMINATION



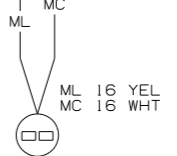
CONNECTS TO DEFROST FANS SWITCH ILLUMINATION



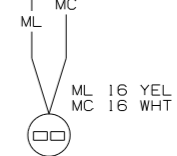
CONNECTS TO DEFROST FANS SWITCH ILLUMINATION



CONNECTS TO EXHAUST BRAKE SWITCH ILLUMINATION

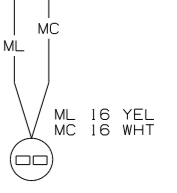


CONNECTS TO EXHAUST BRAKE SWITCH ILLUMINATION



CONNECTS TO BATTERY BOOST SWITCH ILLUMINATION

MC
ML

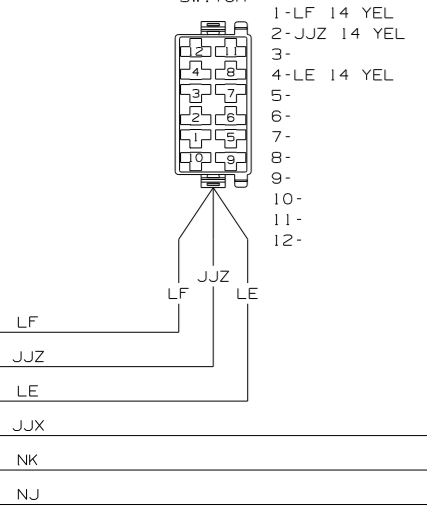


CONNECTS TO BATTERY BOOST SWITCH ILLUMINATION

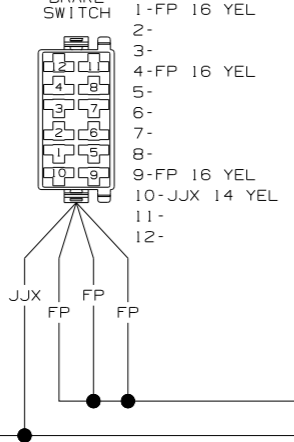
1. SPLICES ARE THEORETICAL AND MAY DIFFER IN THE HARNESS.

NOTES:

CONNECTS TO DEFROST FANS SWITCH



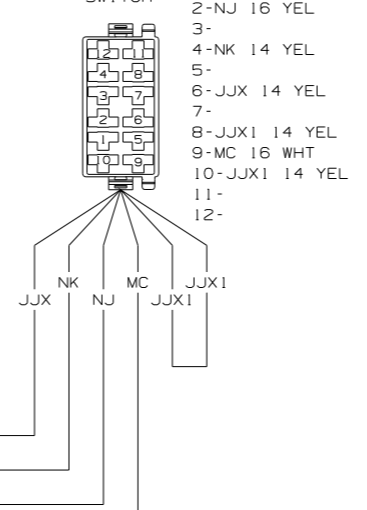
CONNECTS TO EXHAUST BRAKE SWITCH



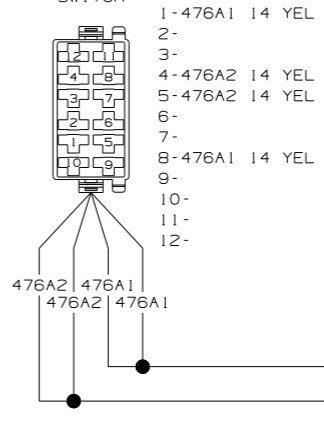
CONNECTS TO CHASSIS WIRING (LOCATED BELOW DASH)



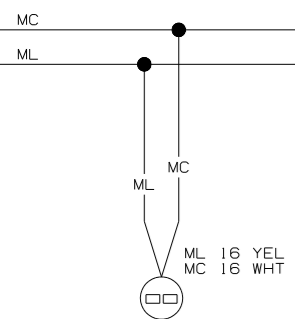
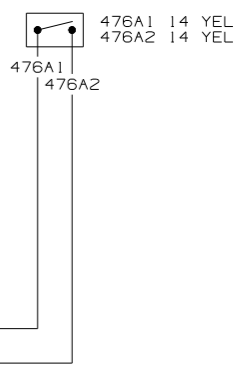
CONNECTS TO AIR HORN SWITCH



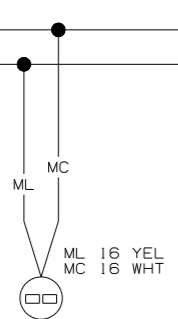
CONNECTS TO PEDAL ADJUST SWITCH



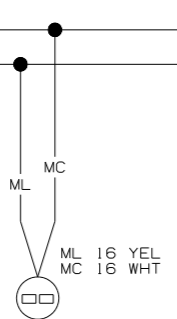
CHASSIS SUPPLIED PEDAL ADJUST SWITCH



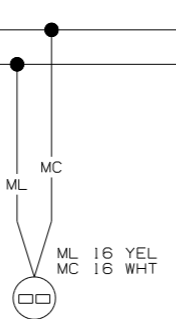
CONNECTS TO FOG LAMPS SWITCH ILLUMINATION



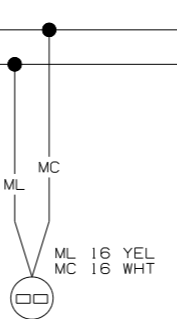
CONNECTS TO FOG LAMPS SWITCH ILLUMINATION



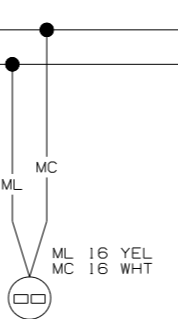
CONNECTS TO DOCKING LAMPS SWITCH ILLUMINATION



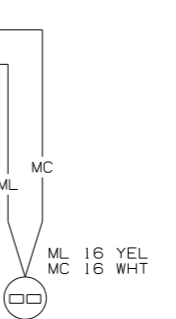
CONNECTS TO DOCKING LAMPS SWITCH ILLUMINATION



CONNECTS TO STEP COVER SWITCH ILLUMINATION



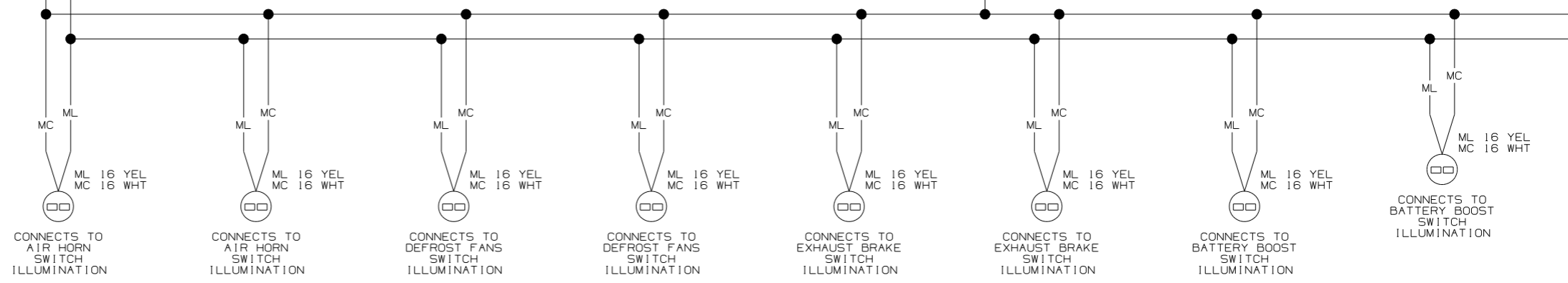
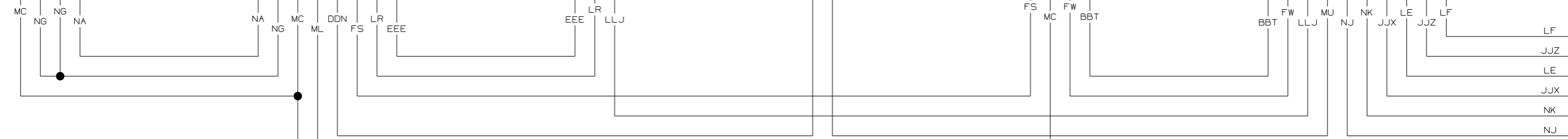
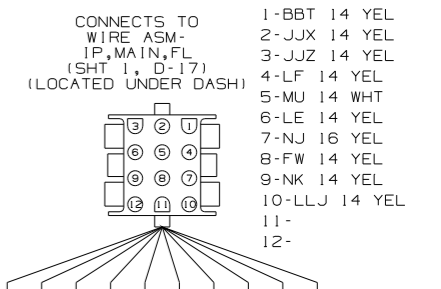
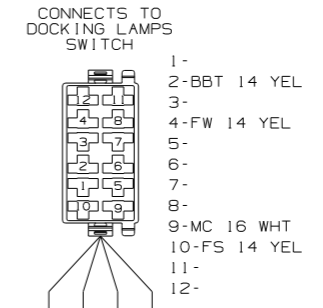
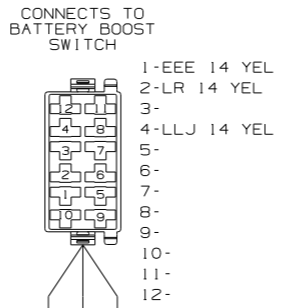
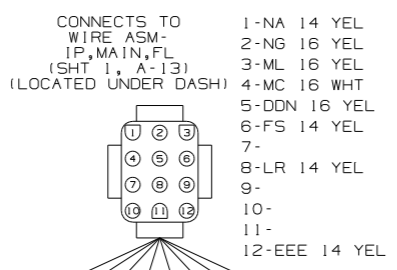
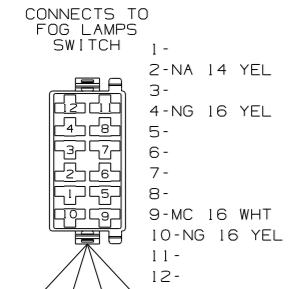
CONNECTS TO STEP COVER SWITCH ILLUMINATION



CONNECTS TO STEP COVER SWITCH ILLUMINATION

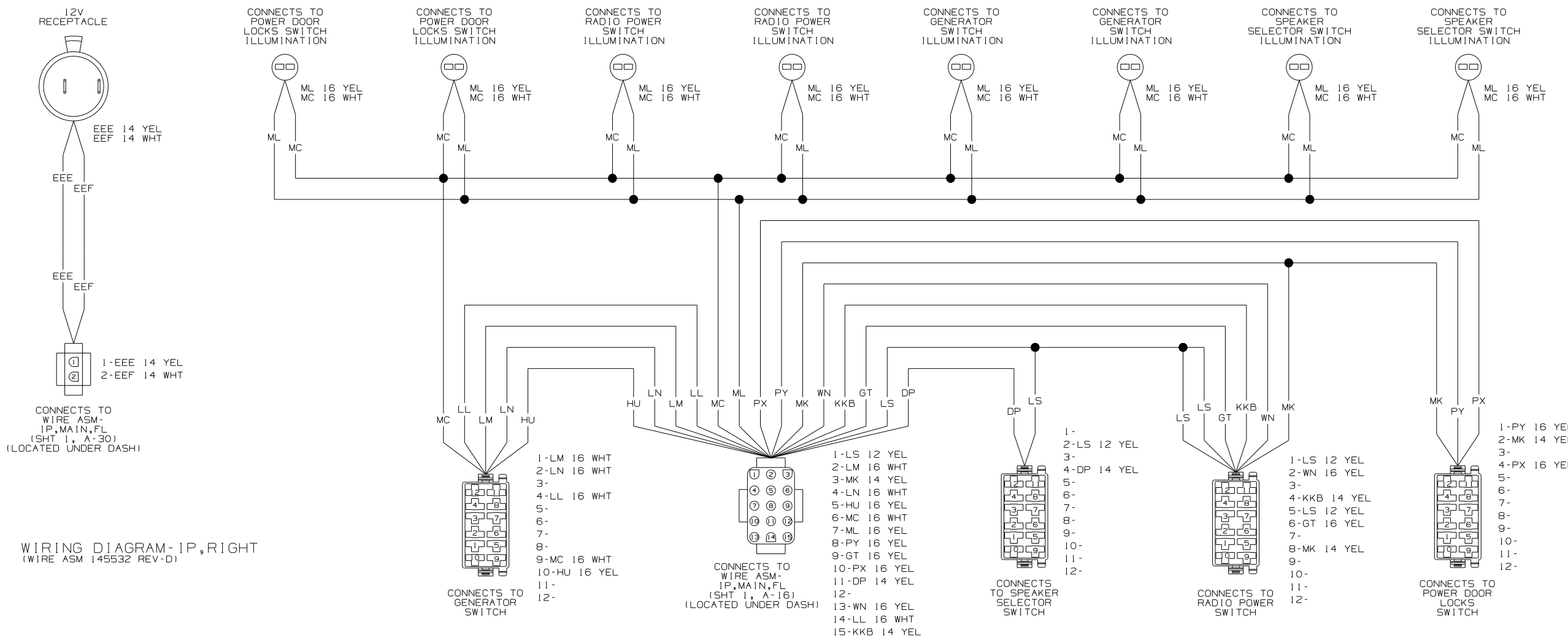
WIRING DIAGRAM-IP,LEFT
(WIRE ASM 145533-05 REV-M)

FIRST USED	06 R&S-SER	
TITLE	DO NOT SCALE DRAWING	
	WIRING DIAGRAM-AUTO	
SHEET 3	PART NO	152109



1. SPLICES ARE THEORETICAL AND MAY DIFFER IN THE HARNESS.

NOTES:

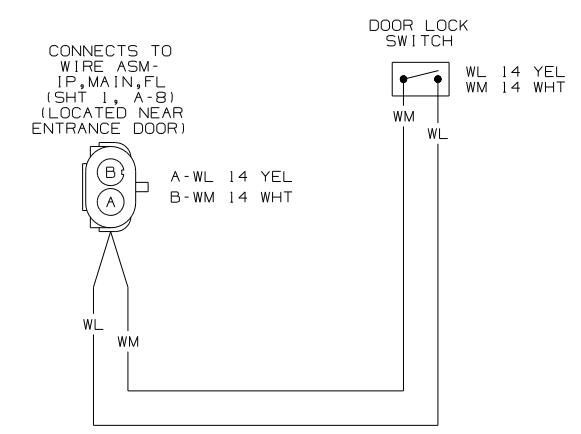
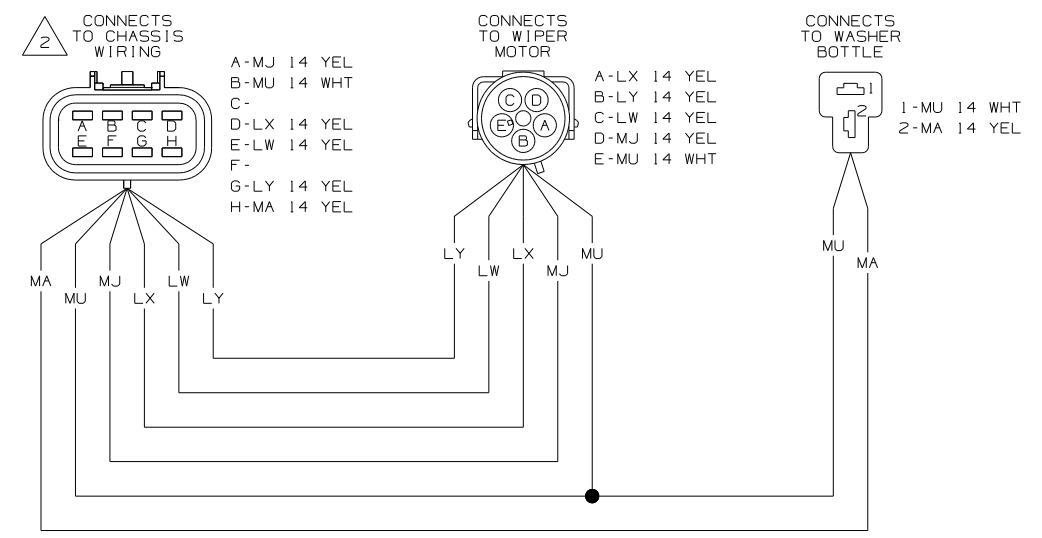
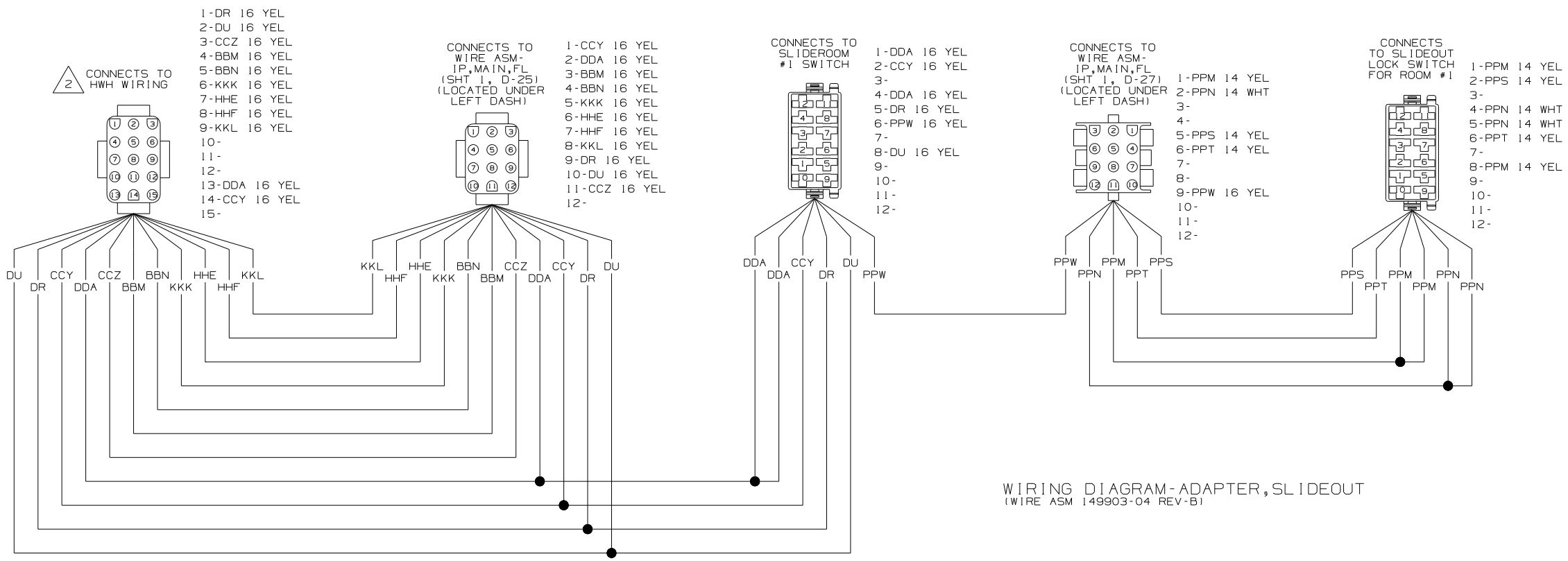


WIRING DIAGRAM-IP,RIGHT
(WIRE ASM 145532 REV-D)

1. SPLICES ARE THEORETICAL AND MAY DIFFER IN THE HARNESS.

NOTES:

FIRST USED	06 R&S-SER
TITLE	DO NOT SCALE DRAWING
TITLE	WIRING DIAGRAM-AUTO
SHEET 4	PART NO 152109

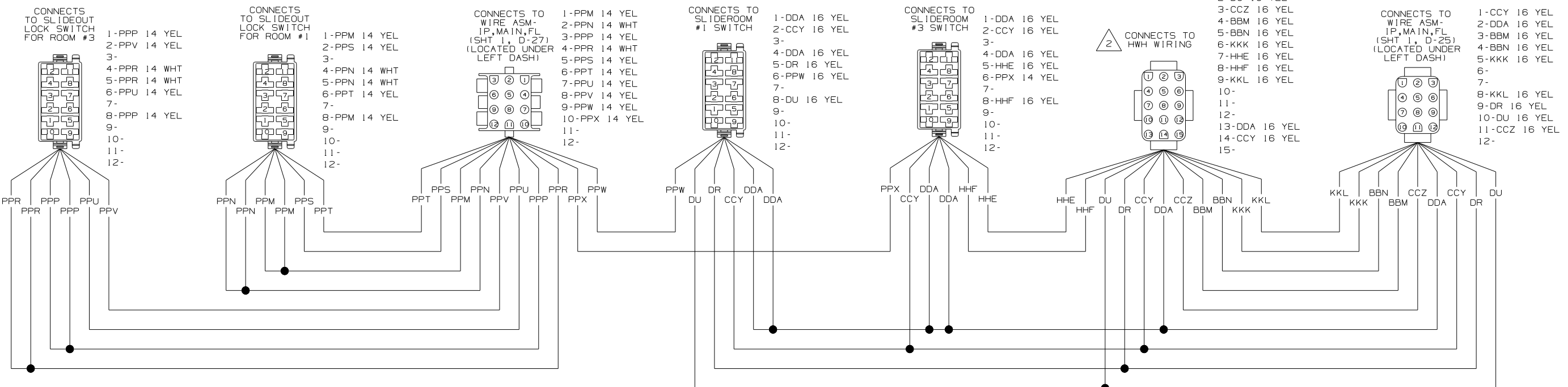


SEE MANUFACTURERS DIAGRAM FOR ADDITIONAL INFORMATION.

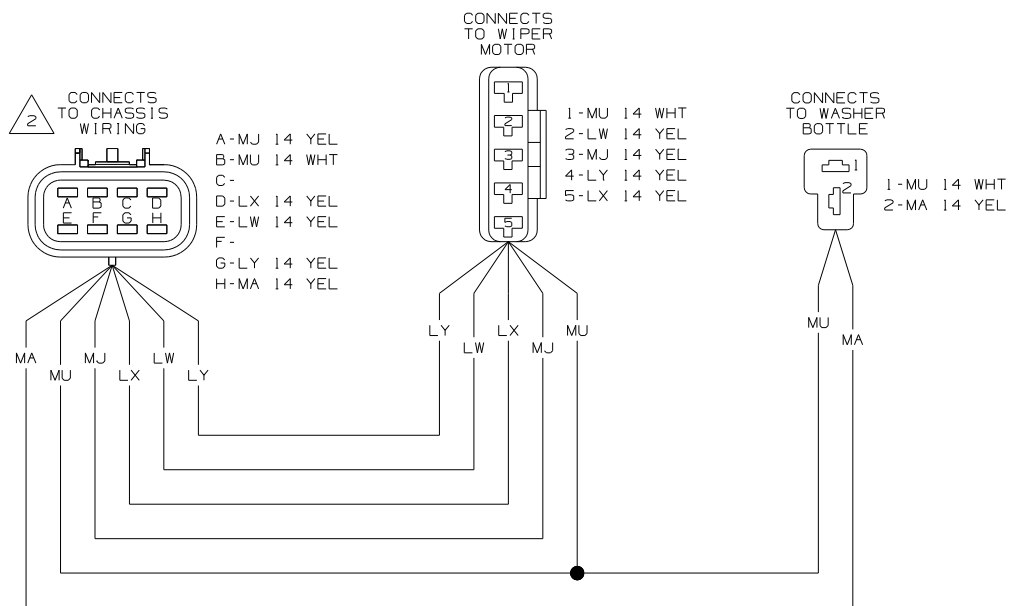
1. SPLICES ARE THEORETICAL AND MAY DIFFER IN THE HARNESS.

NOTES:

FIRST USED	06 R&S-SER
TITLE	DO NOT SCALE DRAWING
	WIRING DIAGRAM-AUTO
SHEET 5	PART NO 152109



WIRING DIAGRAM-ADAPTER, SLIDEOUT (WIRE ASM 149903-05 REV-B)



WIRING DIAGRAM-WIPER/WASHER (WIRE ASM 149214-02 REV-F)

△ SEE MANUFACTURERS DIAGRAM FOR ADDITIONAL INFORMATION.

1. SPLICES ARE THEORETICAL AND MAY DIFFER IN THE HARNESS.

NOTES:

FIRST USED	06 R&S-SER
TITLE	DO NOT SCALE DRAWING
	WIRING DIAGRAM-AUTO
SHEET 6	PART NO 152109

CONNECTS TO SLIDEOUT LOCK SWITCH FOR ROOM #4

- 1-PPP 14 YEL
- 2-PPV 14 YEL
- 3-
- 4-PPR 14 WHT
- 5-PPR 14 WHT
- 6-PPU 14 YEL
- 7-
- 8-PPP 14 YEL
- 9-
- 10-
- 11-
- 12-

CONNECTS TO SLIDEOUT LOCK SWITCH FOR ROOM #1

- 1-PPM 14 YEL
- 2-PPS 14 YEL
- 3-
- 4-PPN 14 WHT
- 5-PPN 14 WHT
- 6-PPT 14 YEL
- 7-
- 8-PPM 14 YEL
- 9-
- 10-
- 11-
- 12-

CONNECTS TO WIRE ASM-IP,MAIN,FL (SHT 1, D-27) (LOCATED UNDER LEFT DASH)

- 1-PPM 14 YEL
- 2-PPN 14 WHT
- 3-PPP 14 YEL
- 4-PPR 14 WHT
- 5-PPS 14 YEL
- 6-PPT 14 YEL
- 7-PPU 14 YEL
- 8-PPV 14 YEL
- 9-PPW 14 YEL
- 10-
- 11-PPY 14 YEL
- 12-

CONNECTS TO SLIDEROOM #1 SWITCH

- 1-DDA 16 YEL
- 2-CCY 16 YEL
- 3-
- 4-DDA 16 YEL
- 5-DR 16 YEL
- 6-PPW 14 YEL
- 7-
- 8-DU 16 YEL
- 9-
- 10-
- 11-
- 12-

CONNECTS TO SLIDEROOM #4 SWITCH

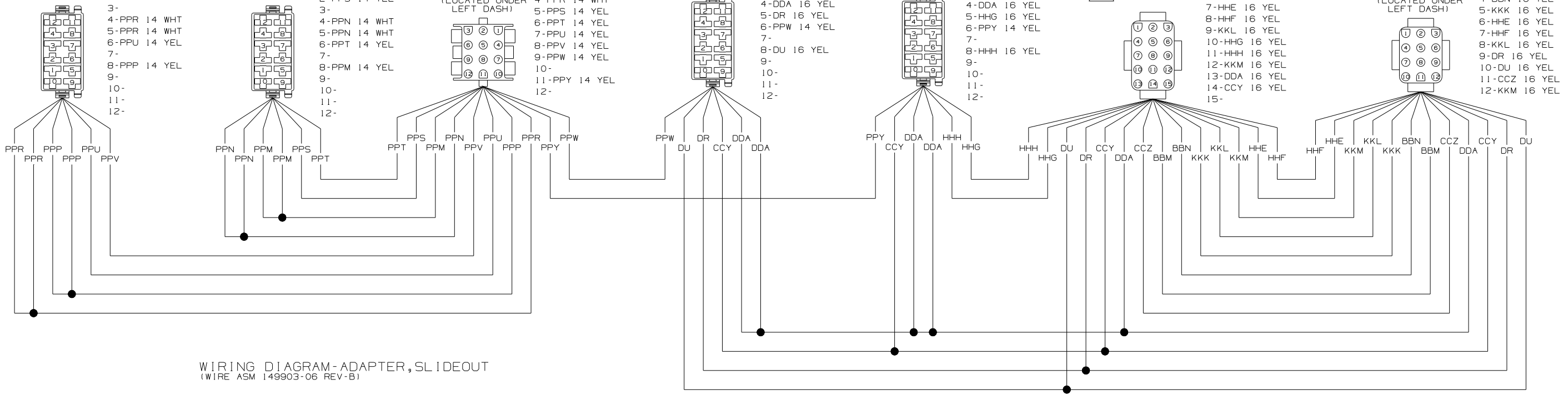
- 1-DDA 16 YEL
- 2-CCY 16 YEL
- 3-
- 4-DDA 16 YEL
- 5-HHG 16 YEL
- 6-PPY 14 YEL
- 7-
- 8-HHH 16 YEL
- 9-
- 10-
- 11-
- 12-

CONNECTS TO HHW WIRING

- 1-DR 16 YEL
- 2-DU 16 YEL
- 3-CCZ 16 YEL
- 4-BBM 16 YEL
- 5-BBN 16 YEL
- 6-KKK 16 YEL
- 7-HHE 16 YEL
- 8-HHF 16 YEL
- 9-KKL 16 YEL
- 10-HHG 16 YEL
- 11-HHH 16 YEL
- 12-KKM 16 YEL
- 13-DDA 16 YEL
- 14-CCY 16 YEL
- 15-

CONNECTS TO WIRE ASM-IP,MAIN,FL (SHT 1, D-25) (LOCATED UNDER LEFT DASH)

- 1-CCY 16 YEL
- 2-DDA 16 YEL
- 3-BBM 16 YEL
- 4-BBN 16 YEL
- 5-KKK 16 YEL
- 6-HHE 16 YEL
- 7-HHF 16 YEL
- 8-KKL 16 YEL
- 9-DR 16 YEL
- 10-DU 16 YEL
- 11-CCZ 16 YEL
- 12-KKM 16 YEL



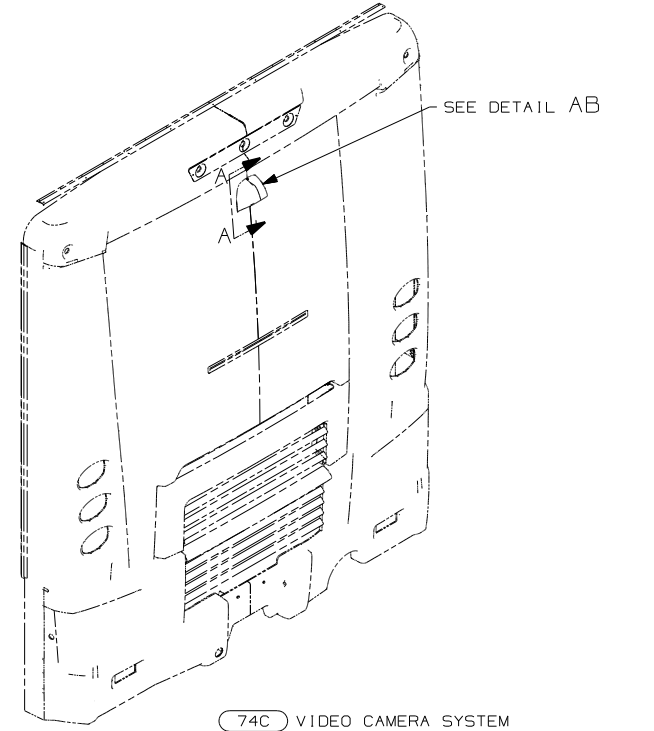
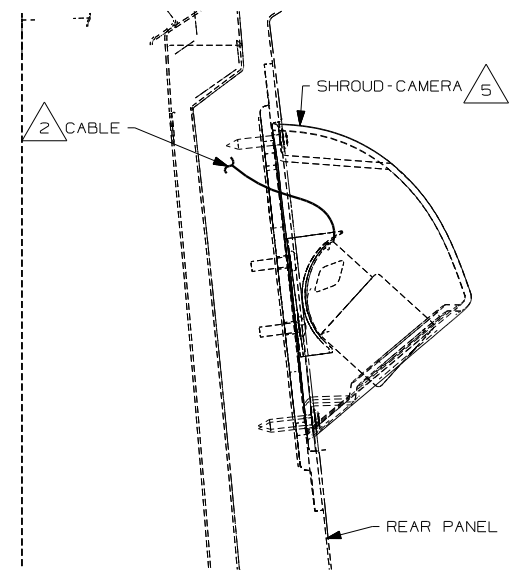
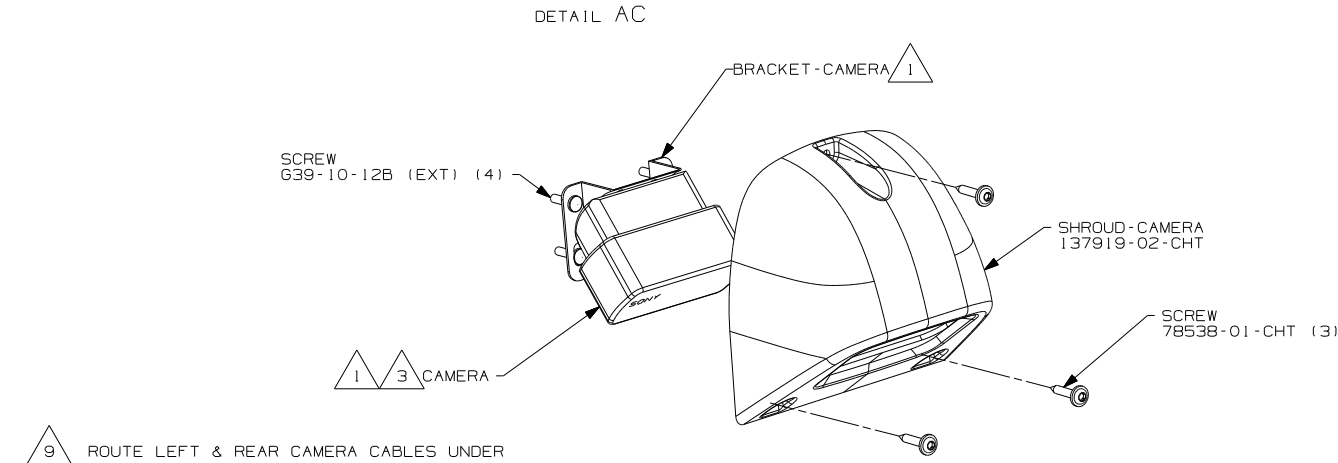
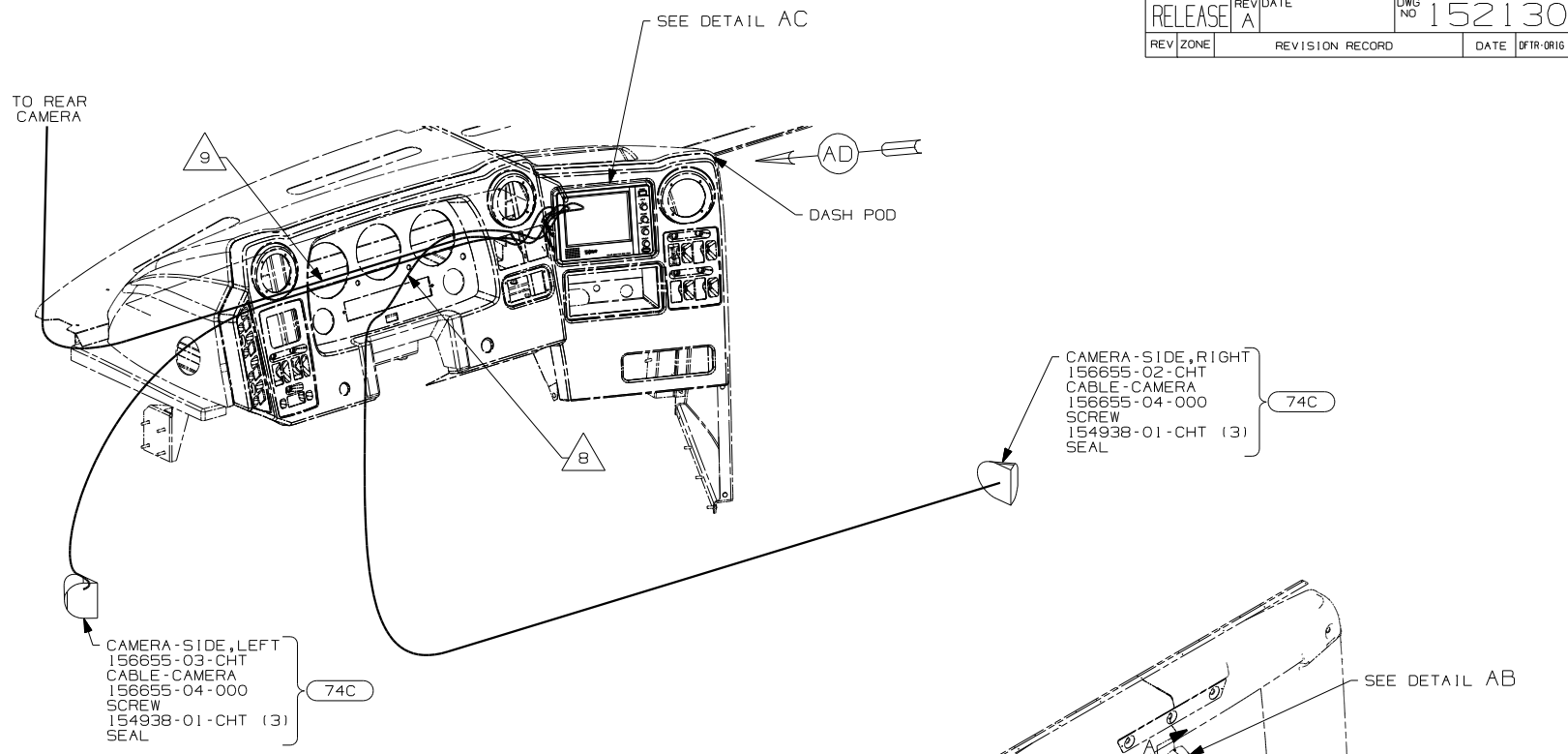
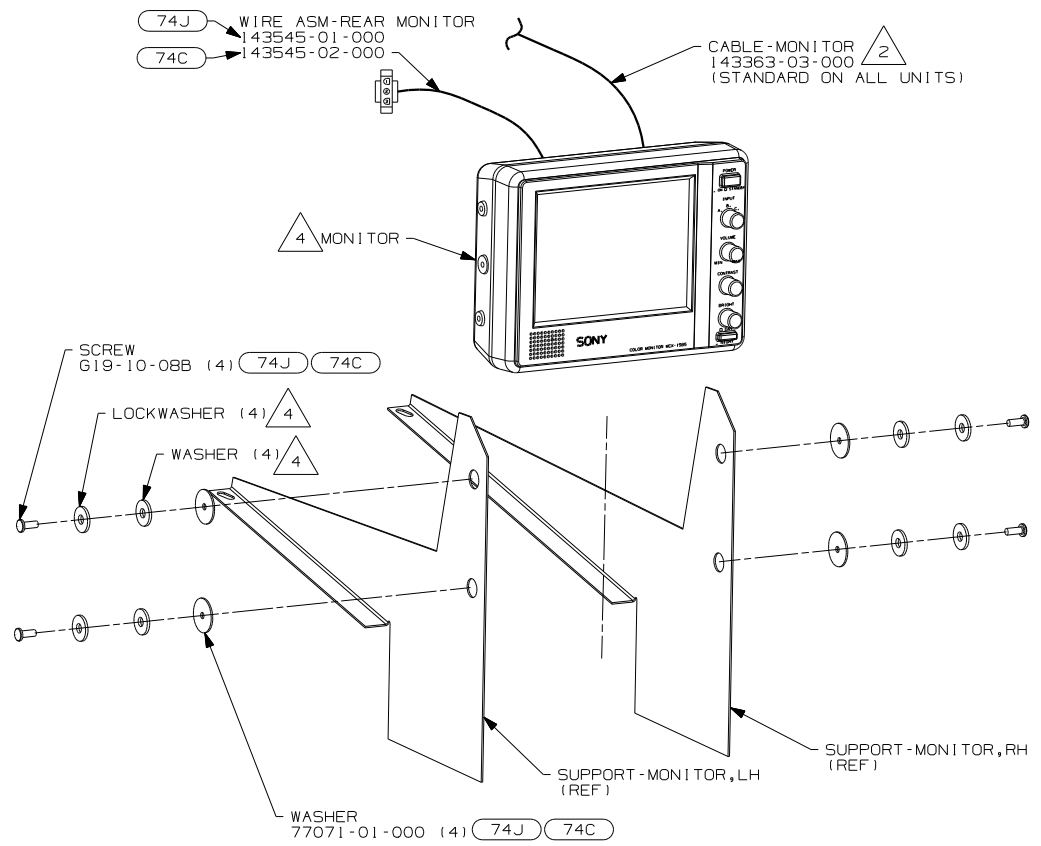
WIRING DIAGRAM-ADAPTER,SLIDEOUT (WIRE ASM 149903-06 REV-B)

SEE MANUFACTURERS DIAGRAM FOR ADDITIONAL INFORMATION.

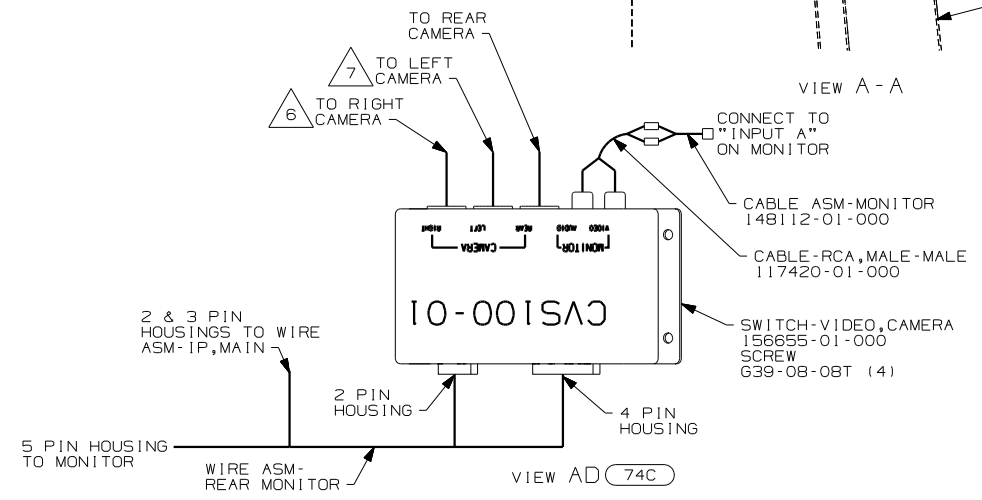
1. SPLICES ARE THEORETICAL AND MAY DIFFER IN THE HARNESS.

NOTES:

FIRST USED	06 R&S-SER
TITLE	DO NOT SCALE DRAWING
TITLE	WIRING DIAGRAM-AUTO
SHEET 7	PART NO 152109

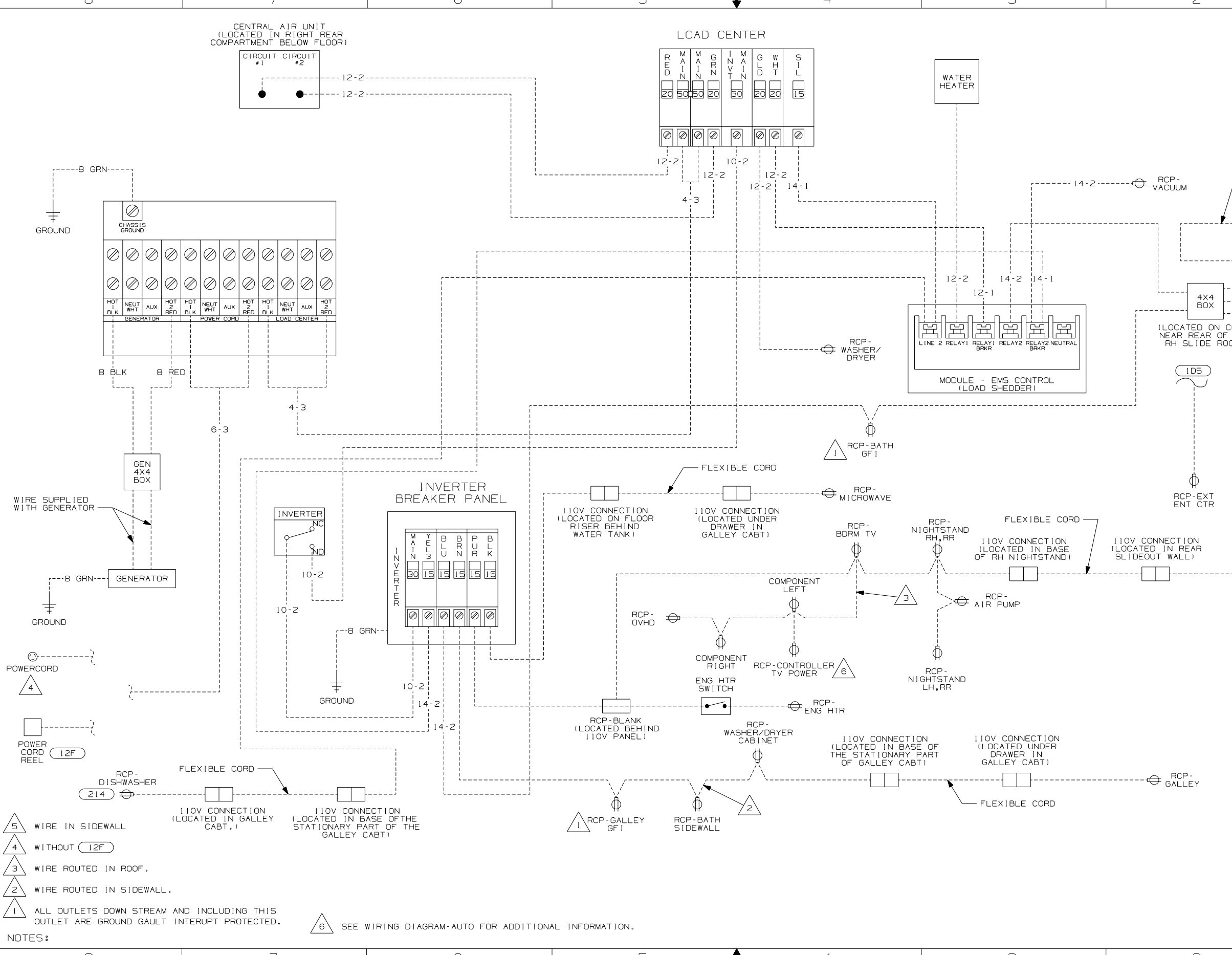


- NOTES:
- 9 ROUTE LEFT & REAR CAMERA CABLES UNDER DASH & TIE TO WIRE ASM-IP,MAIN.
 - 8 ROUTE CABLE TO EXTERIOR THRU HOLE IN PANEL ALONG WITH HEATER WIRING TO RIGHT CAMERA.
 - 7 MARK LEFT CAMERA WITH YELLOW TAPE 900000-07-000 NEXT TO CONNECTOR.
 - 6 MARK RIGHT CABLE WITH WHITE TAPE 900000-08-000 NEXT TO CONNECTOR.
 - 5 SEE PANEL-REAR CAP FOR LOCATION.
 - 4 PARTS SUPPLIED WITH MONITOR P/N: 143363-01-000.
 - 3 ALIGN CAMERA IN CENTER OF SHROUD OPENING AND ADJUST SO BACKWALL IS JUST VISABLE.
 - 2 RUN CABLE THRU LEFT HAND COVE TO FRONT OF UNIT AND DOWN LEFT A-PILLAR TO MONITOR. CONNECT TO "INPUT A" ON MONITOR.
 - 1 PARTS SUPPLIED WITH REAR CAMERA P/N: 143363-05-000.



74C VIDEO CAMERA SYSTEM
74J REARVIEW MONITOR SYSTEM

WINNEBAGO		COPYRIGHT 2004 WINNEBAGO INDUSTRIES, INC.
DFTR	ORIG. DATE	
CHKR	ALL DIMENSIONS ARE IN MILLIMETERS	
P.E.	FIRST USED	
M.E.	06 S-SERIES	
DSNR	UNSPECIFIED TOLERANCES ARE:	MATERIAL:
	WHOLE DIM (X) :	
	ONE-PLACE (X.X) :	
	TWO-PLACE (X.XX) :	1
	ANGLE :	
	THIRD ANGLE PROJECTION	
DO NOT SCALE DRAWING		
TITLE: MONITOR INSTL		
SHEET 1 OF 1	PART NO	152130
REF:	1 6/28/2005	



- 5 WIRE IN SIDEWALL
- 4 WITHOUT (12F)
- 3 WIRE ROUTED IN ROOF.
- 2 WIRE ROUTED IN SIDEWALL.
- 1 ALL OUTLETS DOWN STREAM AND INCLUDING THIS OUTLET ARE GROUND GAULT INTERRUPT PROTECTED.

6 SEE WIRING DIAGRAM-AUTO FOR ADDITIONAL INFORMATION.

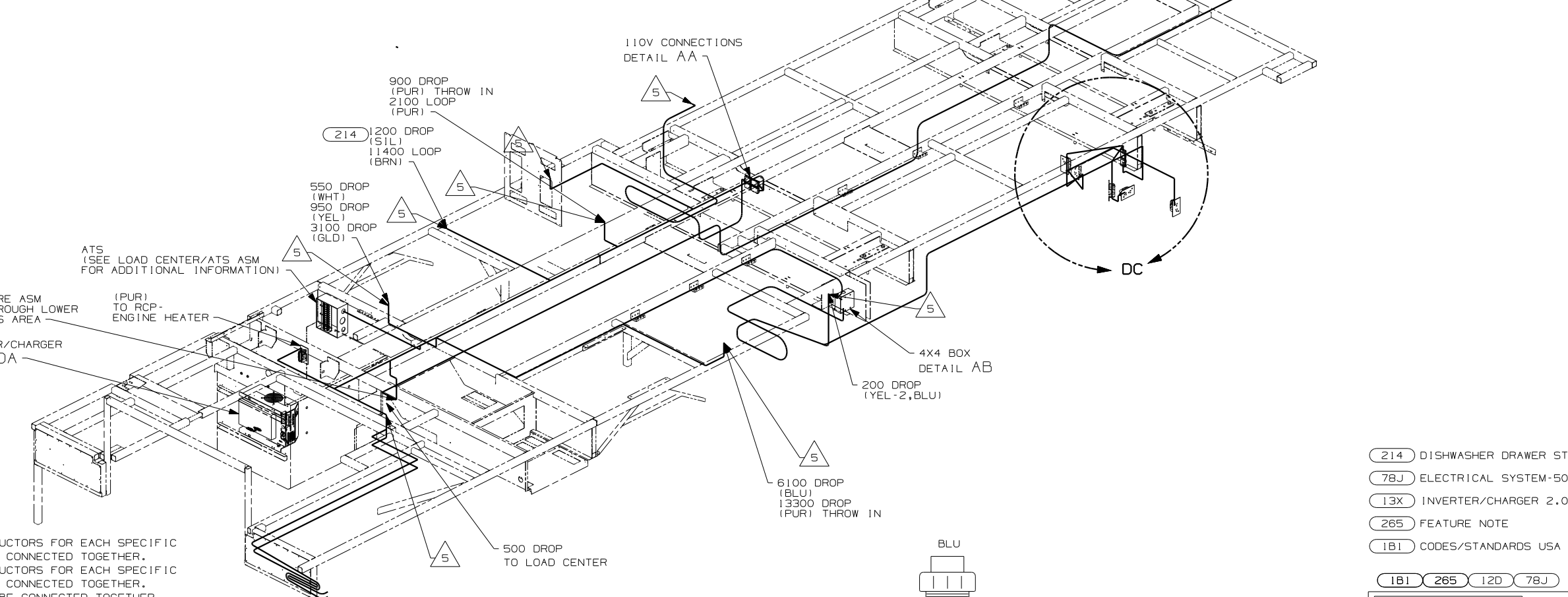
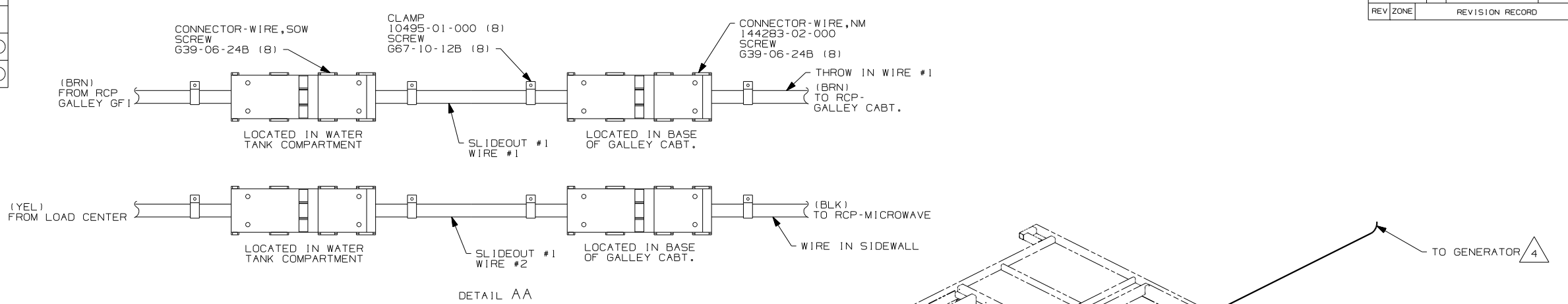
NOTES:

- (12F) POWER CORD REEL
- (214) DISHWASHER DRAWER STYLE
- (265) CODES/STANDARDS - CSA/CMVSS
- (1B1) CODES/STANDARDS - USA

WINNEBAGO		COPYRIGHT 2004 WINNEBAGO INDUSTRIES, INC.	
DTR	ORIG. DATE		
CHKR	ALL DIMENSIONS ARE IN MILLIMETERS		
P.E.	FIRST USED	06 536RD	
M.E.			
DSNR			
UNSPECIFIED TOLERANCES ARE:		MATERIAL:	
WHOLE DIM (X)	:	1	
ONE-PLACE (X.X)	:		
TWO-PLACE (X.XX)	:		
ANGLE	:		
THIRD ANGLE PROJECTION	:		
DO NOT SCALE DRAWING			
TITLE: WIRING DIAGRAM-BODY, 110V			
SHEET 1 of 1	PART NO	153938	
REF:	1 11/18/2005		

DRAWING NO.	FEATURE
153933-01	-----
153933-14	1B1 78J 13X
153933-18	265 78J 13X

RELEASE	REV/DATE	DWG NO
A		153933
REV ZONE	REVISION RECORD	DATE DFR-ORIG



- 8 THE BLACK INDIVIDUAL CONDUCTORS FOR EACH SPECIFIC COLORED CIRCUIT ARE TO BE CONNECTED TOGETHER. THE WHITE INDIVIDUAL CONDUCTORS FOR EACH SPECIFIC COLORED CIRCUIT ARE TO BE CONNECTED TOGETHER. ALL GROUNDS WIRES ARE TO BE CONNECTED TOGETHER.
- 7 MOUNT 4X4 BOX ON CLOSEOUT PANEL OVER HOLE.
- 6 FOR MORE INFORMATION SEE LOAD CENTER/ATS ASM. DETAIL BC.
- 5 WIRE PASSES UP THRU FLOOR IN THIS AREA.
- 4 SEE GENERATOR INSTALLATION FOR ADDITIONAL INFORMATION.

3. WIRE THAT REST ON WIRE TRAYS ARE TO BE TIED DOWN WITH WIRE TIE 8343-02-000.
2. CLAMP TO FLOOR SUPPORT TUBES AS NECESSARY WITH CLAMP 10497-01-000.
1. ALL WIRES TO BE SECURED WITH CLAMP 10495 OR 10497 OR WIRE TIE 8343 OR 108046 EVERY 600MM, USE SCREW G67-XX-XXX OR G56-XX-XXX AS APPROPRIATE FOR INTALLATION.

NOTES:

- 214 DISHWASHER DRAWER STYLE
- 78J ELECTRICAL SYSTEM-50 AMP
- 13X INVERTER/CHARGER 2.0 KW
- 265 FEATURE NOTE
- 1B1 CODES/STANDARDS USA

1B1 265 12D 78J

WINNEBAGO COPYRIGHT 2004 WINNEBAGO INDUSTRIES, INC.

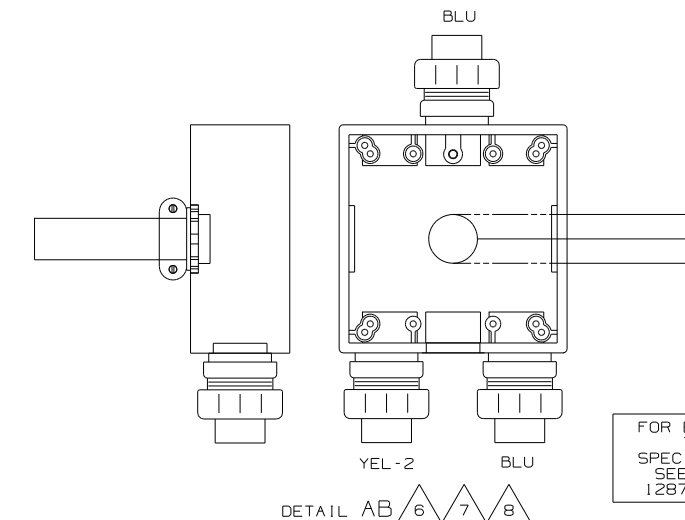
DFTR	ORIG. DATE
CHKR	ALL DIMENSIONS ARE IN MILLIMETERS
P.E.	FIRST USED
M.E.	06 S36RD
DSNR	
UNSPECIFIED TOLERANCES ARE:	MATERIAL:
WHOLE DIM (X)	:
ONE-PLACE (X.X)	:
TWO-PLACE (X.XX)	:
ANGLE	:
THIRD ANGLE PROJECTION	

DO NOT SCALE DRAWING

TITLE: WIRING INSTL-BODY, 110V

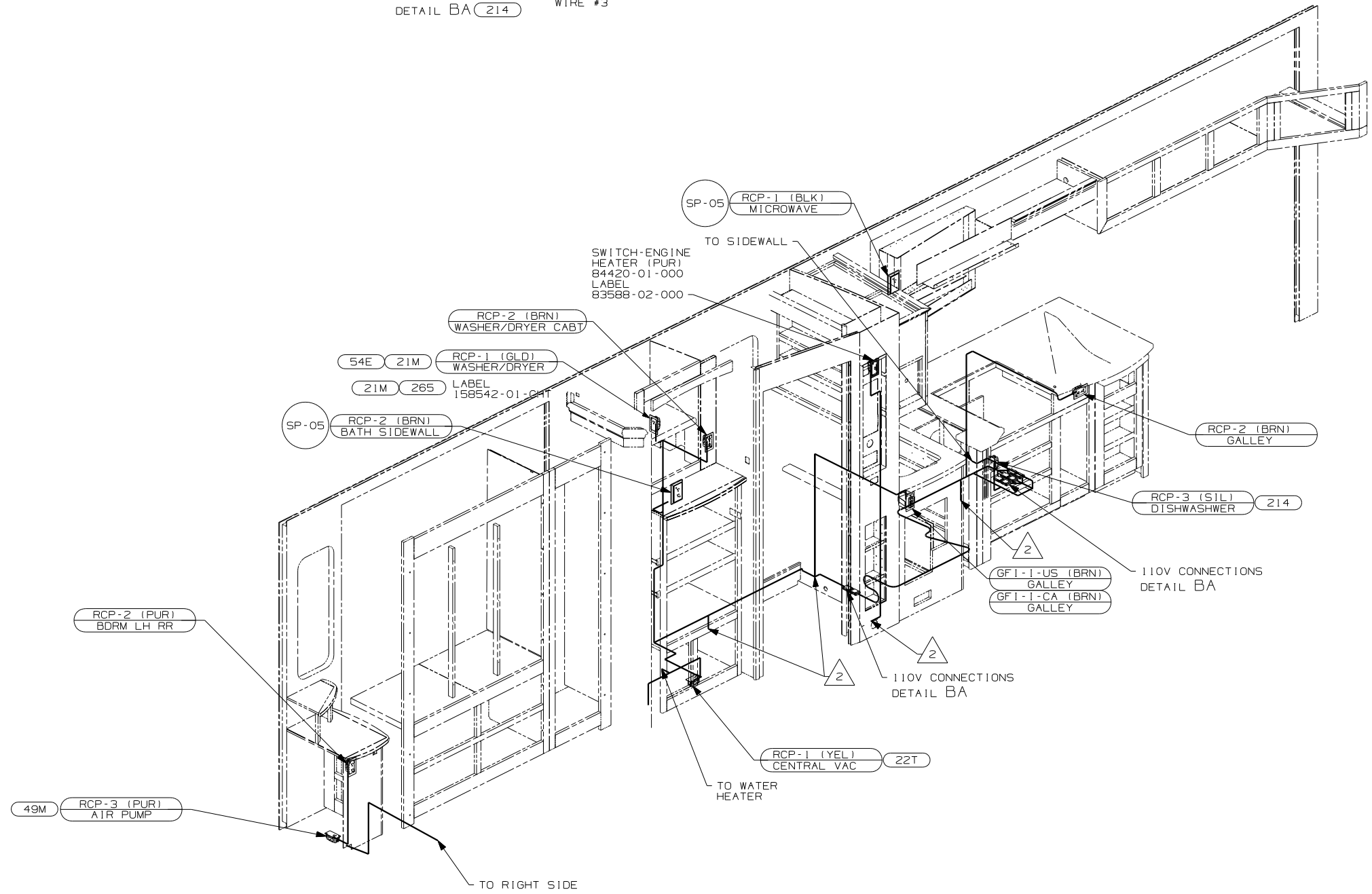
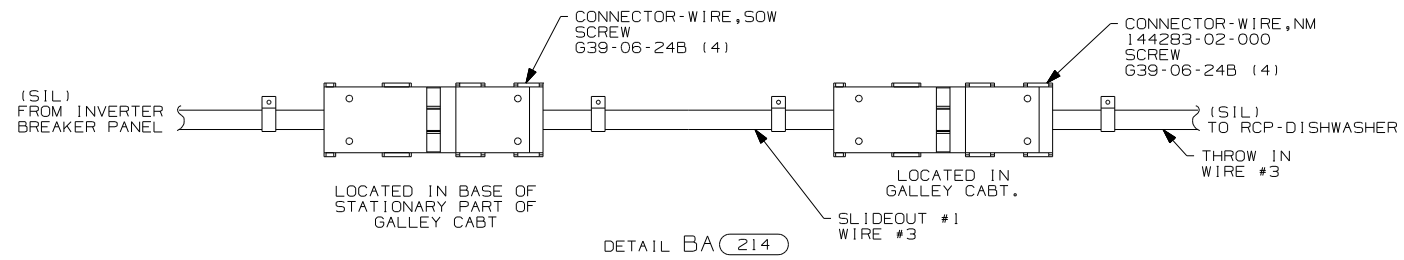
SHEET 1 of 4 PART NO 153933

REF: 1 12/2005



FOR ELECTRICAL TORQUE SPECIFICATIONS SEE DWG NO. 128783-01-000

FOR ELECTRICAL CALLOUTS SEE DWG NO. 121339-01-000



△ WIRE PASSES THROUGH FLOOR AT THIS POINT.

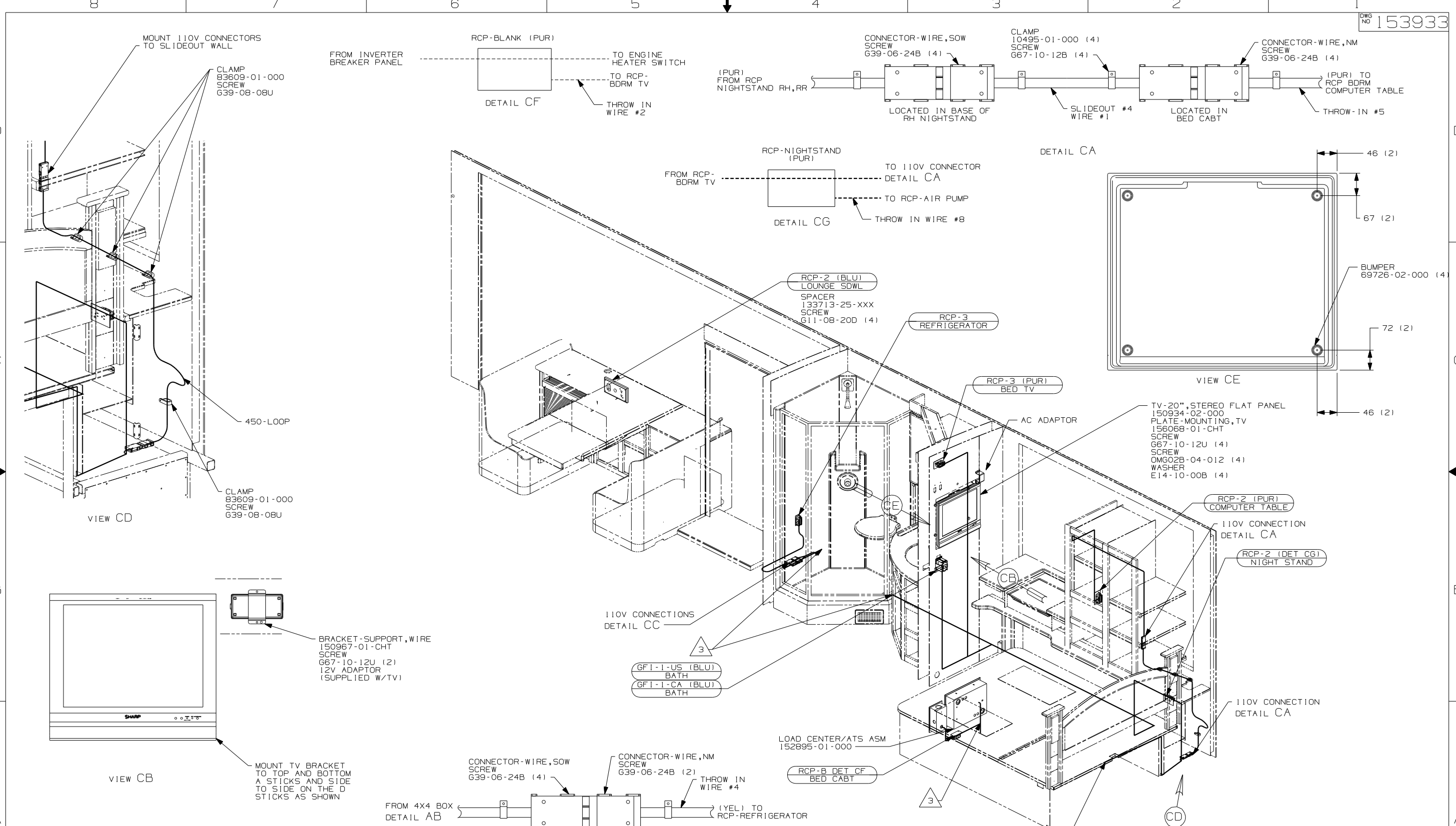
- NOTES:
- ALL WIRES TO BE SECURED WITH CLAMP 10495 OR 10497 OR WIRE TIE 8343 OR 108046 EVERY 600MM, USE SCREW G67-XX-XXX OR G56-XX-XXX AS APPROPRIATE FOR INTALLATION.

FOR ELECTRICAL TORQUE SPECIFICATIONS SEE DWG NO. 128783-01-000

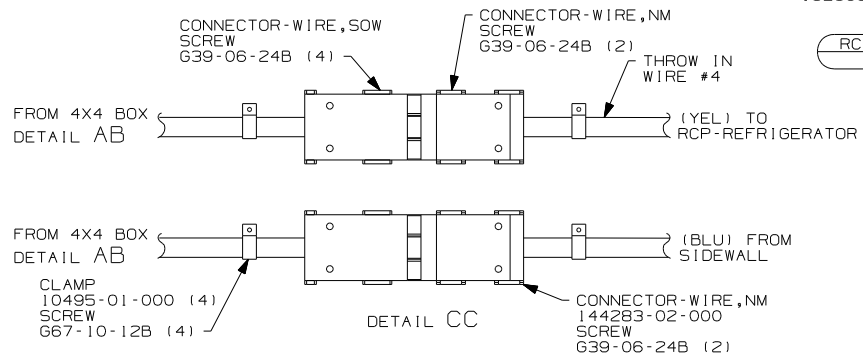
FOR ELECTRICAL CALLOUTS SEE DWG NO. 121339-01-000

- 49M SLEEP NUMBER BED-QUEEN SIZE
- 54E WASHER/DRYER
- 21M WASHER/DRYER PREP
- 214 DISHWASHER DRAWER STYLE
- 265 CODES/STANDARDS-CSA/CMVSS
- 1B1 CODES/STANDARDS USA

FIRST USED	06 S36RD
DO NOT SCALE DRAWING	
TITLE:	WIRING INSTL-BODY, 110V
SHEET 2	PART NO 153933



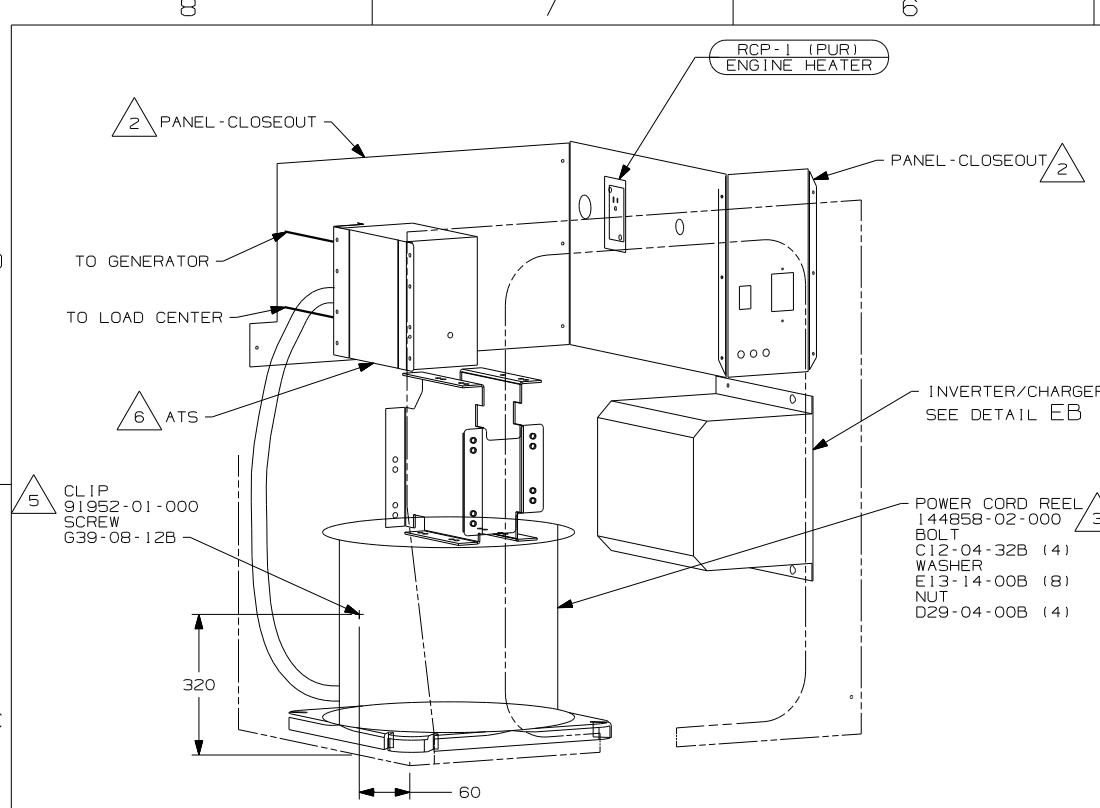
- NOTES:
1. ALL WIRES TO BE SECURED WITH CLAMP 10495 OR 10497 OR WIRE TIE 8343 OR 108046 EVERY 600MM, USE SCREW 667-XX-XXX OR G56-XX-XXX AS APPROPRIATE FOR INTALLATION.
 2. SEE WIRING DIAGRAM-BODY,12V FOR ADDITIONAL INFORMATION.
 3. WIRE PASSES THROUGH FLOOR AT THIS POINT.



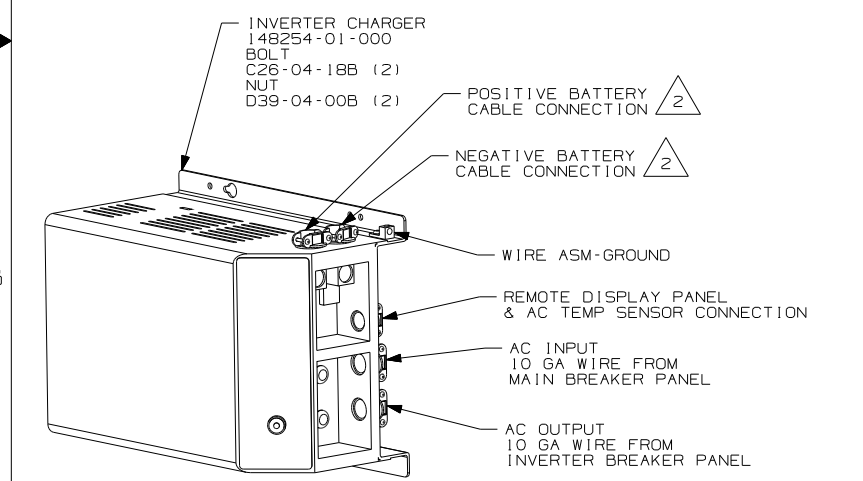
FOR ELECTRICAL TORQUE SPECIFICATIONS SEE DWG NO. 128783-01-000

FOR ELECTRICAL CALLOUTS SEE DWG NO. 121339-01-000

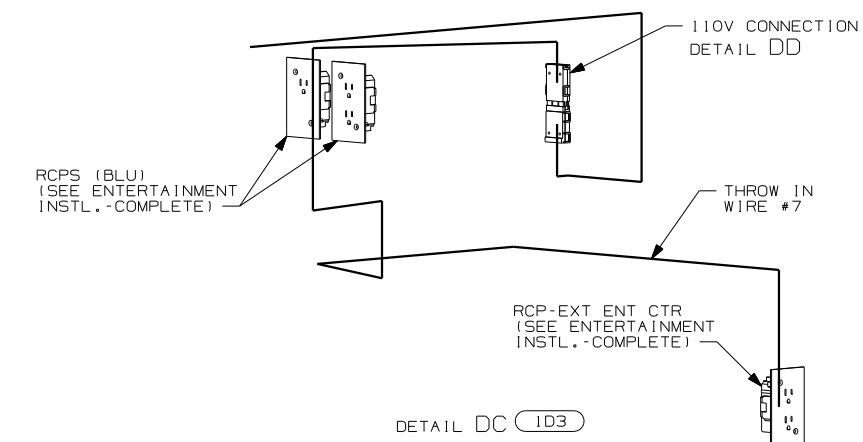
FIRST USED	
06 S36RD	
DO NOT SCALE DRAWING	
TITLE: WIRING INSTL-BODY, 110V	
SHEET 3	PART NO 153933



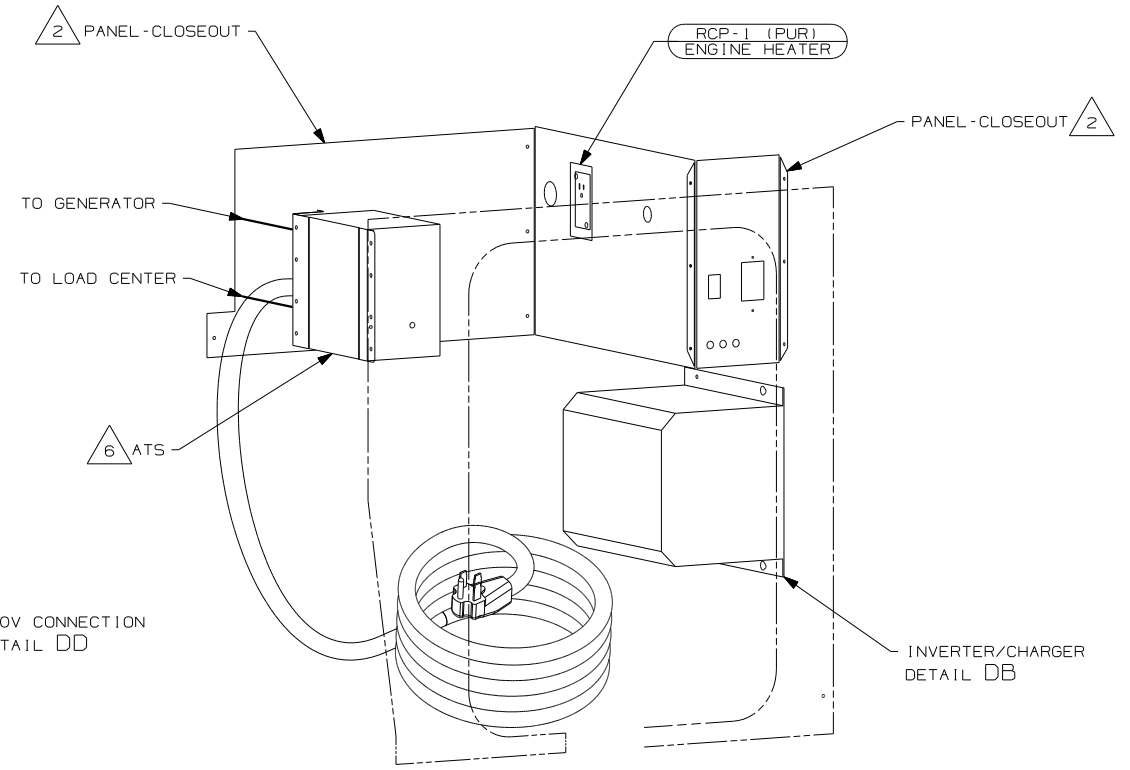
VIEW DA 12F



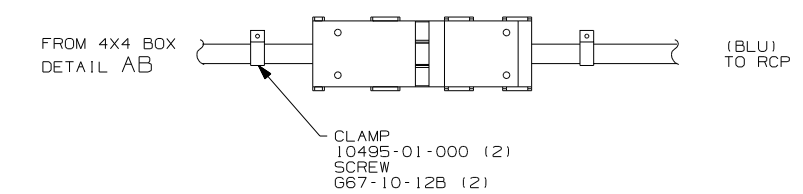
DETAIL DB



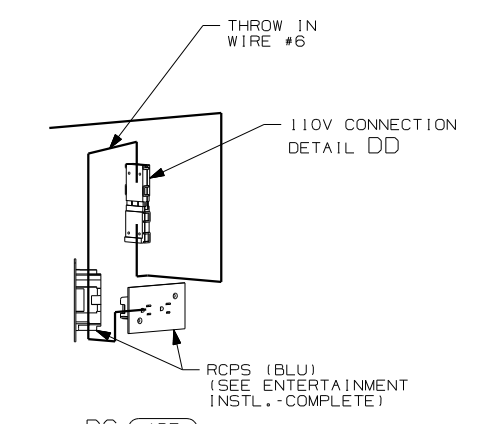
DETAIL DC 1D3



VIEW DA 12G 4



DETAIL DD



DETAIL DC 1D5

- 6 SEE LOAD CENTER/ATS ASM FOR ADDITIONAL INFORMATION.
- 5 FASTEN CLIP TO INSIDE LEFT COMPARTMENT WALL.
- 4 PLUG POWER CORD REEL MOUNTING HOLES WITH PLUG-PLASTIC 81211-01-000 (4).
- 3 INSERT BOLT FROM BOTTOM OF COMPT.
- 2 SEE WIRING INSTL-CHASSIS FOR ADDITIONAL INFORMATION.

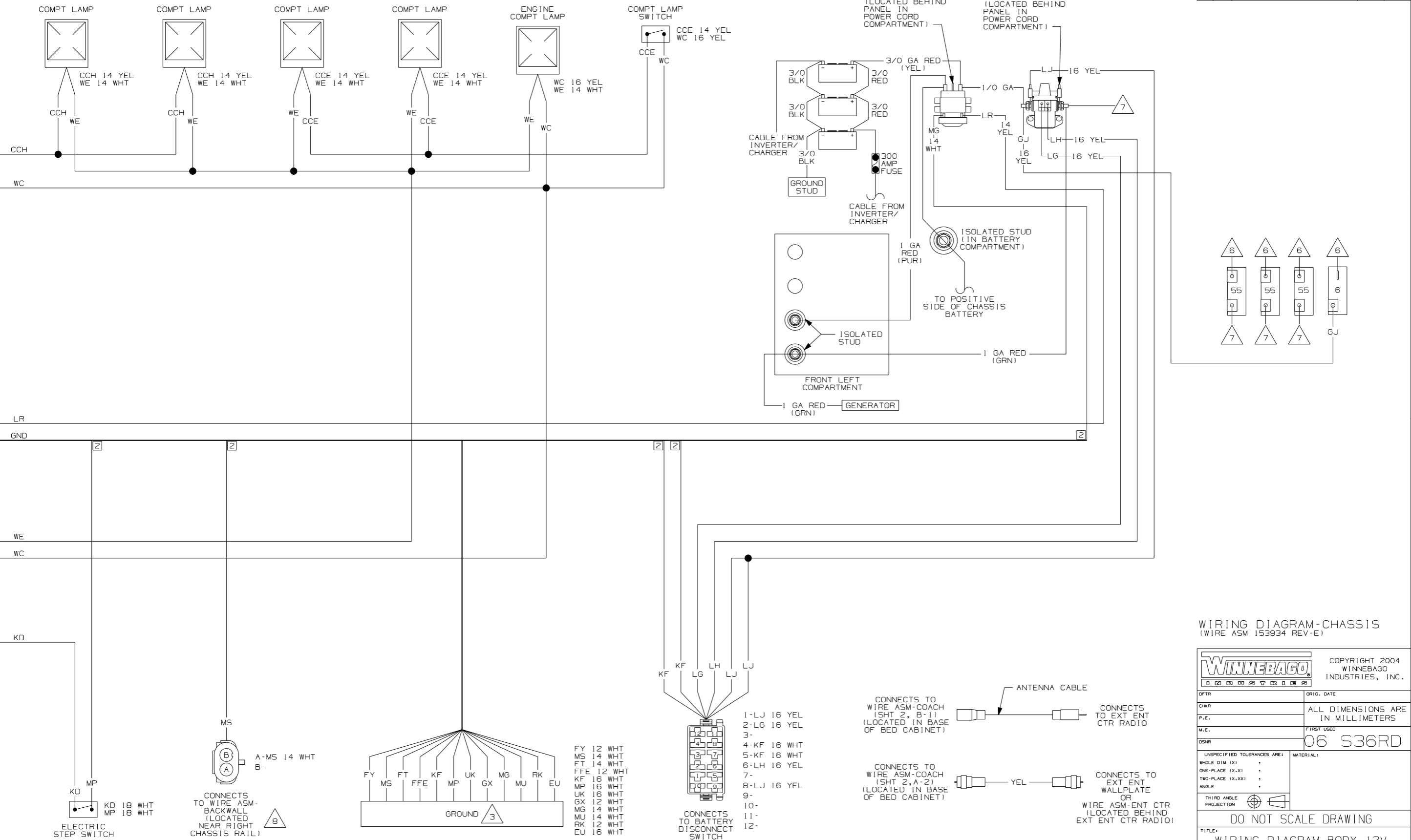
NOTES:
1. ALL WIRES TO BE SECURED WITH CLAMP 10495 OR 10497 OR WIRE TIE 8343 OR 108046 EVERY 600MM, USE SCREW 667-XX-XXX OR G56-XX-XXX AS APPROPRIATE FOR INTALLATION.

FOR ELECTRICAL TORQUE SPECIFICATIONS SEE DWG NO. 128783-01-000

X-X FOR ELECTRICAL CALLOUTS SEE DWG NO. 121339-01-000

- 12G POWER CORD REEL-WITHOUT
- 12F POWER CORD REEL
- 1D5 ENTERTAINMENT CENTR/EXT W/CD
- 1D3 ENTERTAIN CENTR/EXT TV-DVD
- 265 CODES/STANDARDS-CSA/CMVSS
- 1B1 CODES/STANDARDS USA

FIRST USED	06 S36RD
TITLE:	DO NOT SCALE DRAWING
	WIRING INSTL-BODY, 110V
SHEET 4	PART NO 153933



WIRING DIAGRAM-CHASSIS (WIRE ASM 153934 REV-E)

WINNEBAGO COPYRIGHT 2004 WINNEBAGO INDUSTRIES, INC.

DFTR	ORIG. DATE
CHNR	ALL DIMENSIONS ARE IN MILLIMETERS
P.E.	
M.E.	FIRST USED
DSNR	06 S36RD

UNSPECIFIED TOLERANCES ARE: MATERIAL:

WHOLE DIM (XX) :
 ONE-PLACE (X.X) :
 TWO-PLACE (X.XX) :
 ANGLE :

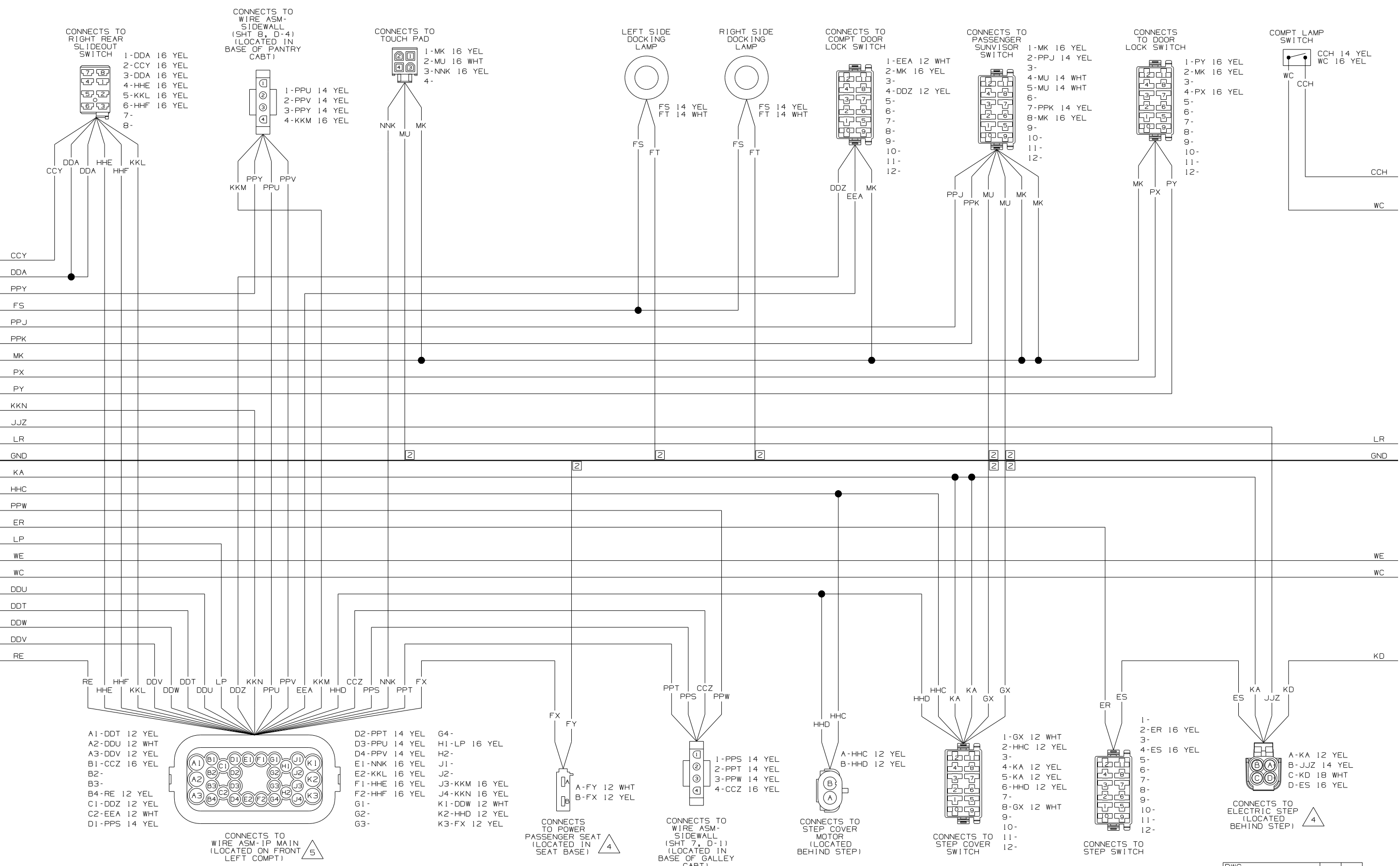
THIRD ANGLE PROJECTION

DO NOT SCALE DRAWING

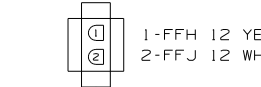
TITLE: WIRING DIAGRAM-BODY, 12V

SHEET 1 of 8 PART NO 153937

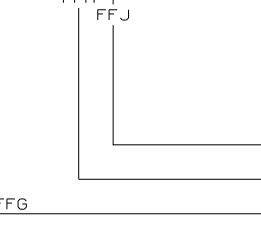
REF: 1 5/20/2005



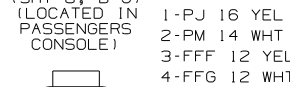
CONNECTS TO AWNING CONTROL BOX



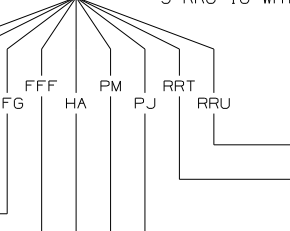
- 1-FFH 12 YEL
- 2-FFJ 12 WHT



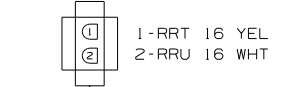
CONNECTS TO WIRE ASM-SIDEWALL (SHT 8, B-6) (LOCATED IN PASSENGER'S CONSOLE)



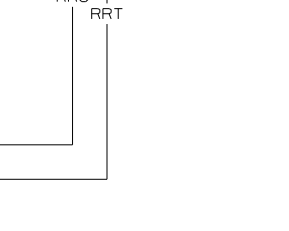
- 1-PJ 16 YEL
- 2-PM 14 WHT
- 3-FFF 12 YEL
- 4-FFG 12 WHT
- 5-FFH 12 YEL
- 6-FFJ 12 WHT
- 7-RRT 16 YEL
- 8-HA 14 YEL
- 9-RRU 16 WHT



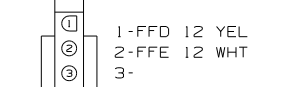
CONNECTS TO AWNING CONTROL BOX



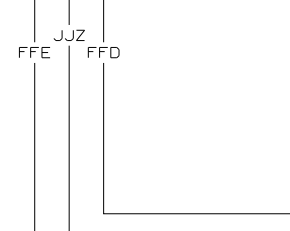
- 1-RRT 16 YEL
- 2-RRU 16 WHT



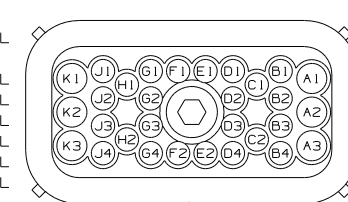
CONNECTS TO AWNING CONTROL BOX



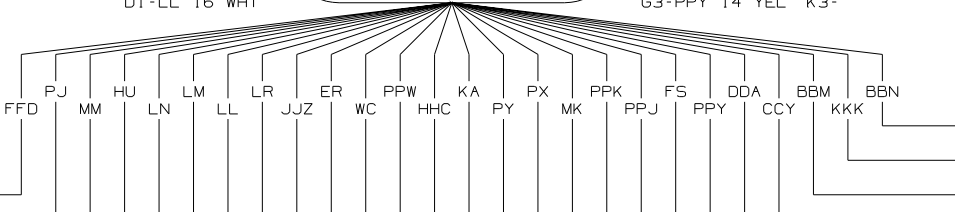
- 1-FFD 12 YEL
- 2-FFE 12 WHT
- 3-
- 4-JJZ 14 YEL



CONNECTS TO WIRE ASM-IP MAIN (LOCATED ON FRONT LEFT COMPT)



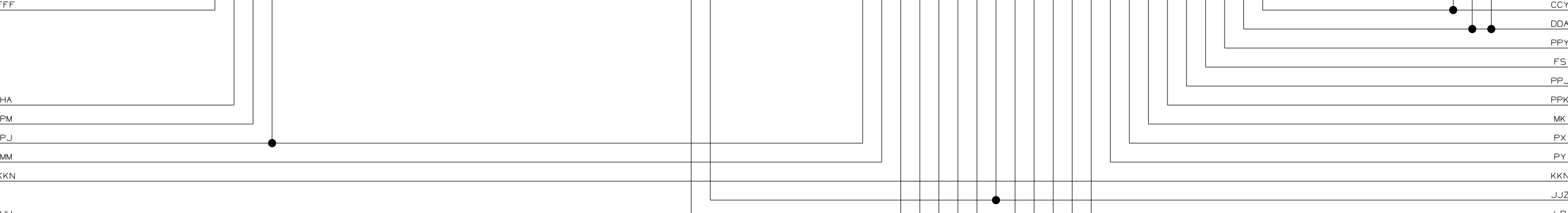
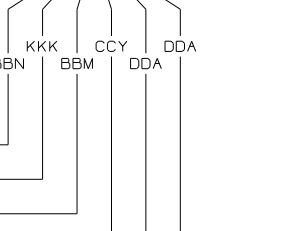
- A1-
- A2-HHC 12 YEL
- A3-FS 14 YEL
- B1-BBM 16 YEL
- B2-BBN 16 YEL
- B3-CCY 16 YEL
- B4-KKK 16 YEL
- C1-DDA 16 YEL
- C2-PPJ 14 YEL
- D1-LL 16 WHT
- D2-LM 16 WHT
- D3-LN 16 WHT
- D4-HU 16 YEL
- E1-MM 14 YEL
- E2-WC 16 YEL
- F1-MK 16 YEL
- F2-LR 14 YEL
- G1-PPW 14 YEL
- G2-
- G3-PPY 14 YEL
- G4-
- H1-PPK 14 YEL
- H2-PX 16 YEL
- J1-PJ 16 YEL
- J2-JJZ 14 YEL
- J3-ER 16 YEL
- J4-PY 16 YEL
- K1-FFD 12 YEL
- K2-KA 12 YEL
- K3-



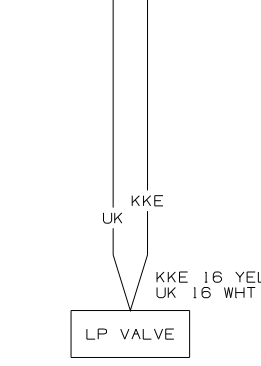
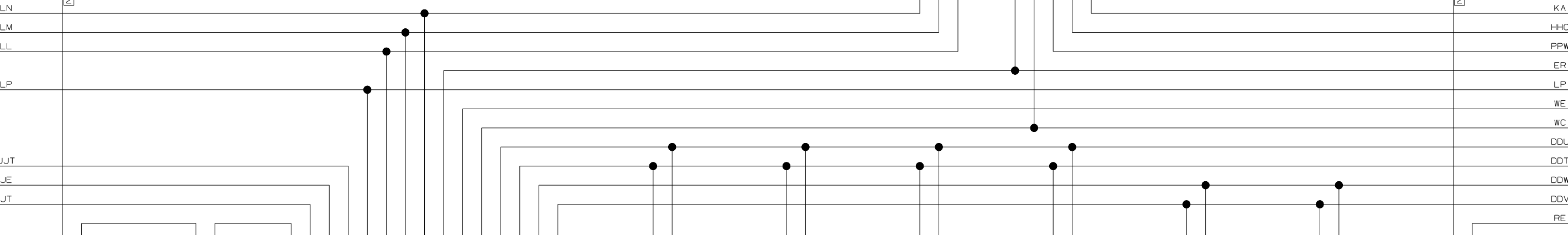
CONNECTS TO LEFT REAR SLIDEOUT SWITCH



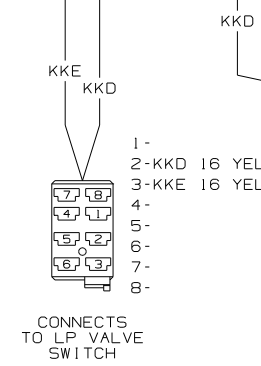
- 1-DDA 16 YEL
- 2-CCY 16 YEL
- 3-DDA 16 YEL
- 4-BBM 16 YEL
- 5-KKK 16 YEL
- 6-BBN 16 YEL
- 7-
- 8-



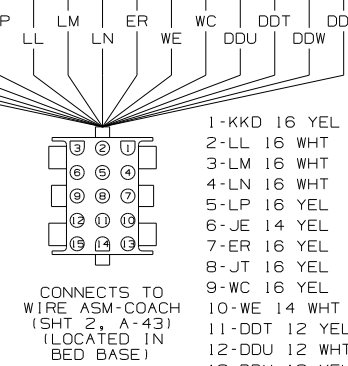
LN LM LL LP JJT JE JT GND



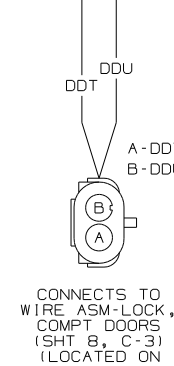
KKE 16 YEL UK 16 WHT



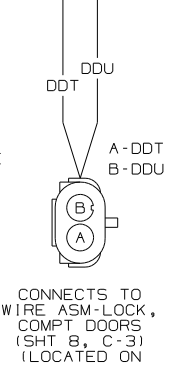
- 1- KKD 16 YEL
- 2- KKD 16 YEL
- 3- KKE 16 YEL
- 4-
- 5-
- 6-
- 7-
- 8-



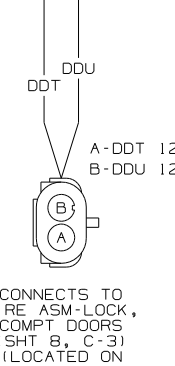
- 1-KKD 16 YEL
- 2-LL 16 WHT
- 3-LM 16 WHT
- 4-LN 16 WHT
- 5-LP 16 YEL
- 6-JE 14 YEL
- 7-ER 16 YEL
- 8-JT 16 YEL
- 9-WC 16 YEL
- 10-WE 14 WHT
- 11-DDT 12 YEL
- 12-DDU 12 WHT
- 13-DDV 12 YEL
- 14-DDW 12 WHT
- 15-JJT 14 YEL



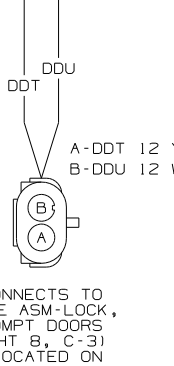
A-DDT 12 YEL B-DDU 12 WHT



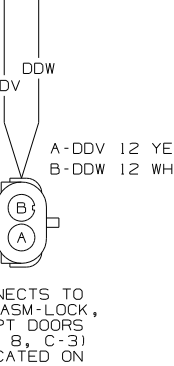
A-DDT 12 YEL B-DDU 12 WHT



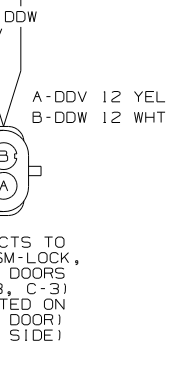
A-DDT 12 YEL B-DDU 12 WHT



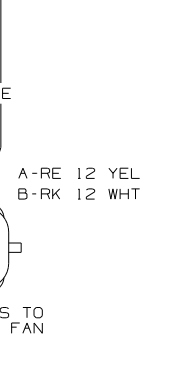
A-DDT 12 YEL B-DDU 12 WHT



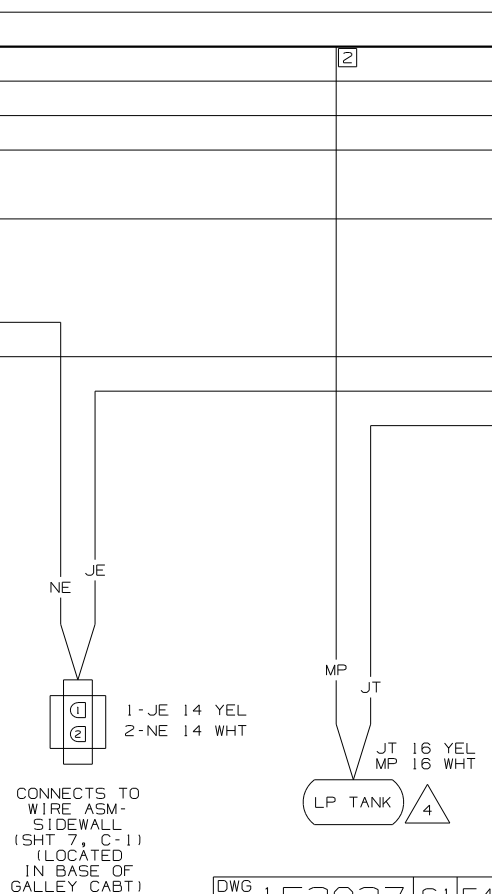
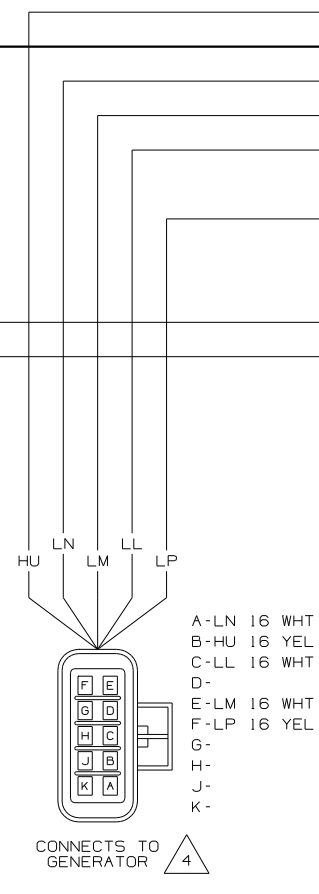
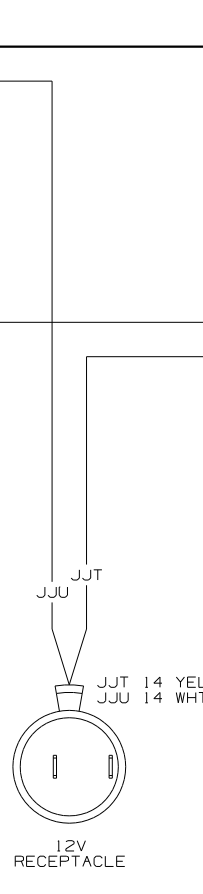
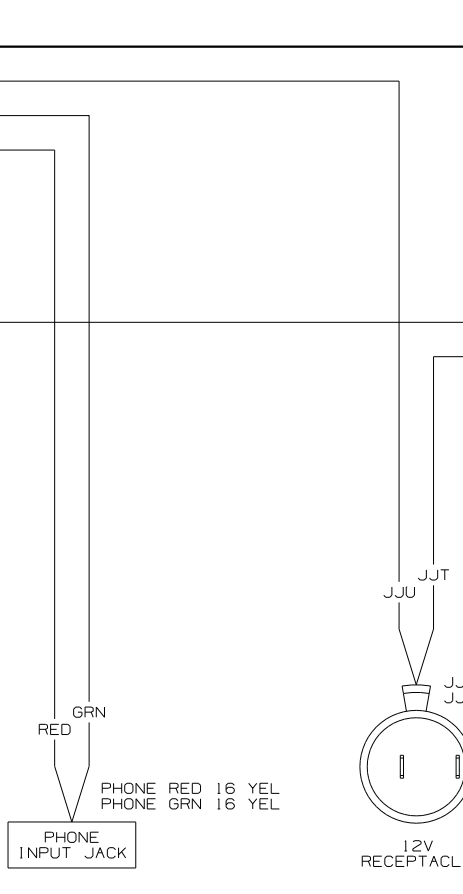
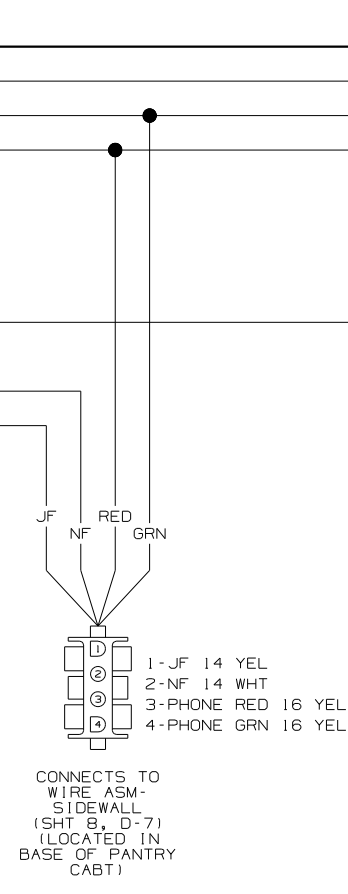
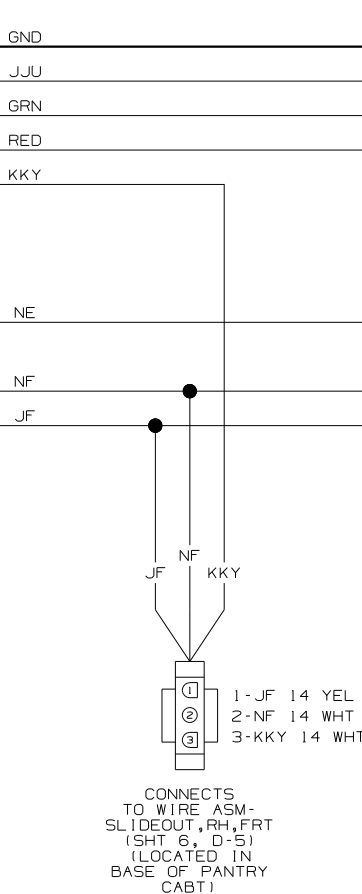
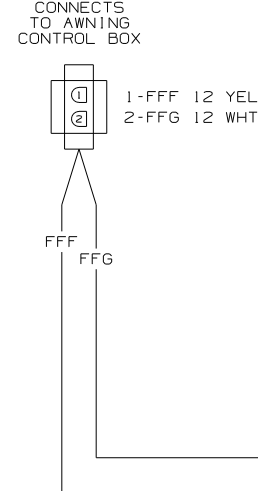
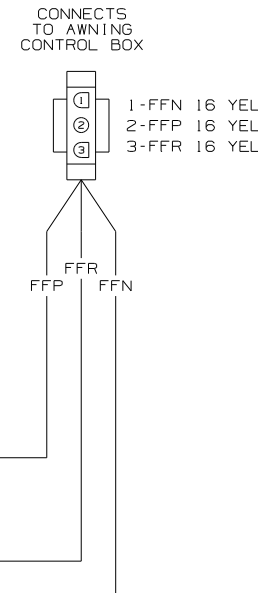
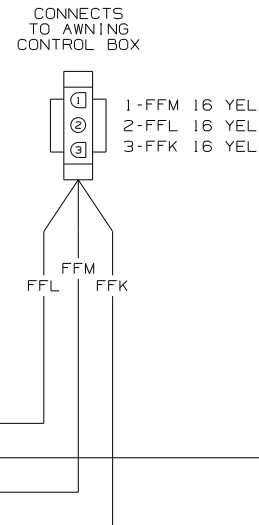
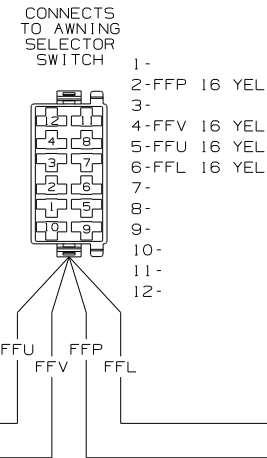
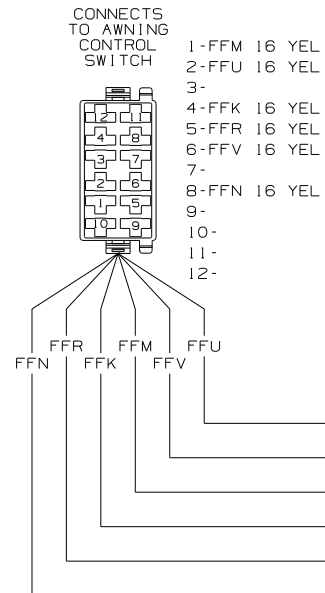
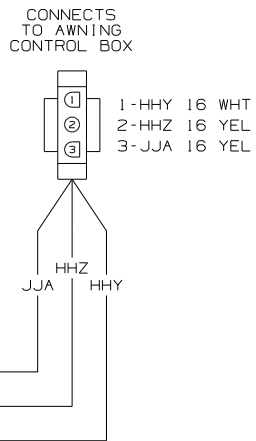
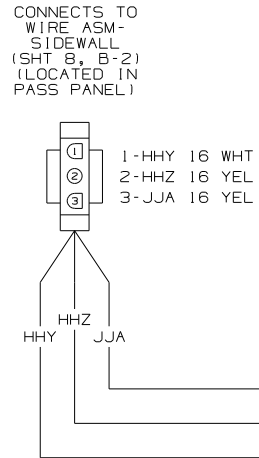
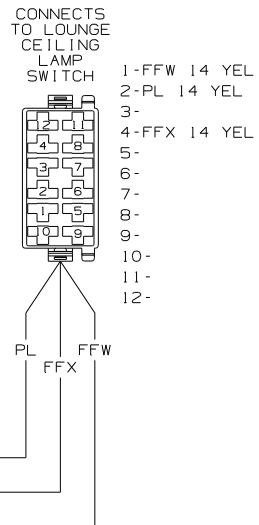
A-DDV 12 YEL B-DDW 12 WHT

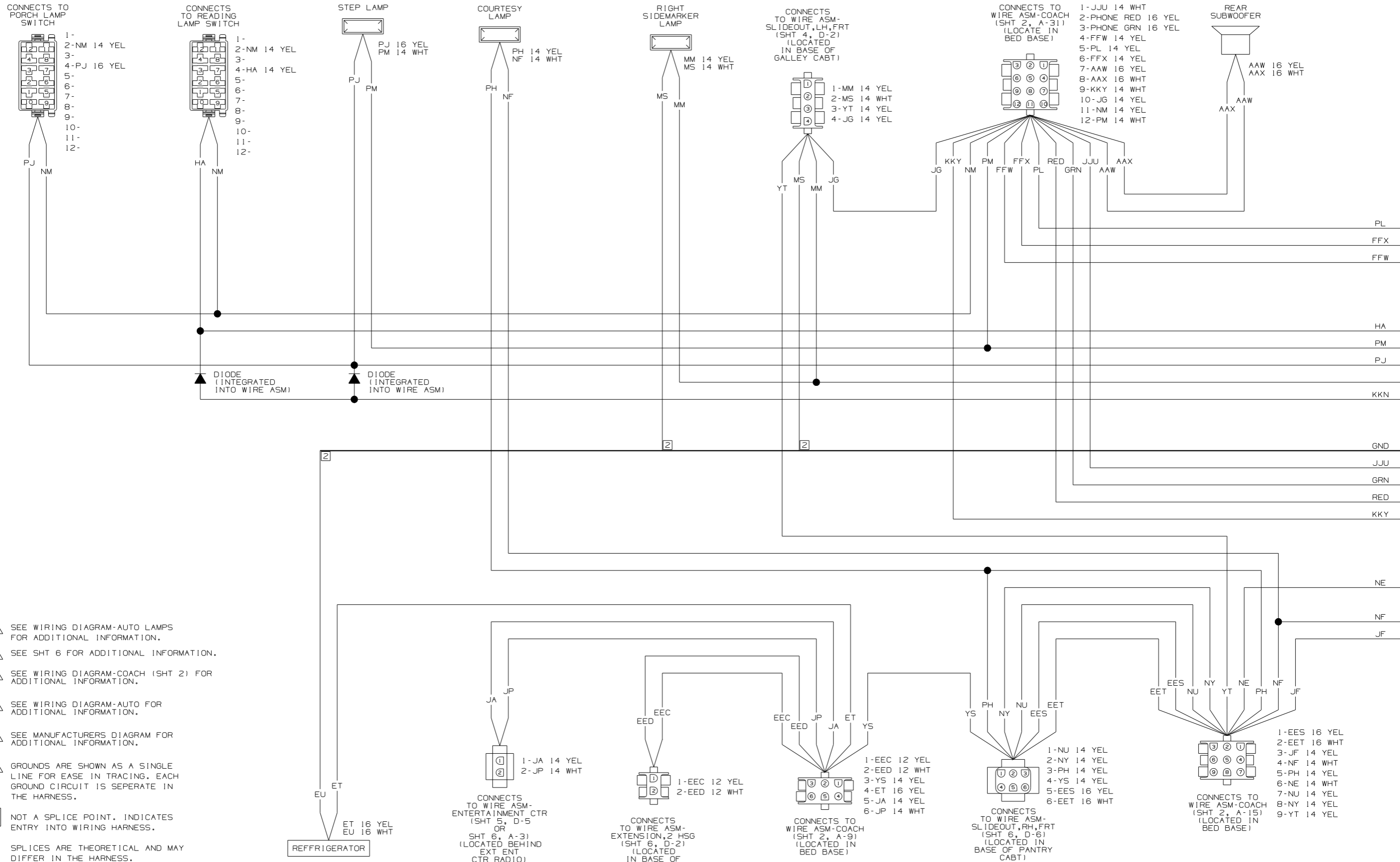


A-DDV 12 YEL B-DDW 12 WHT

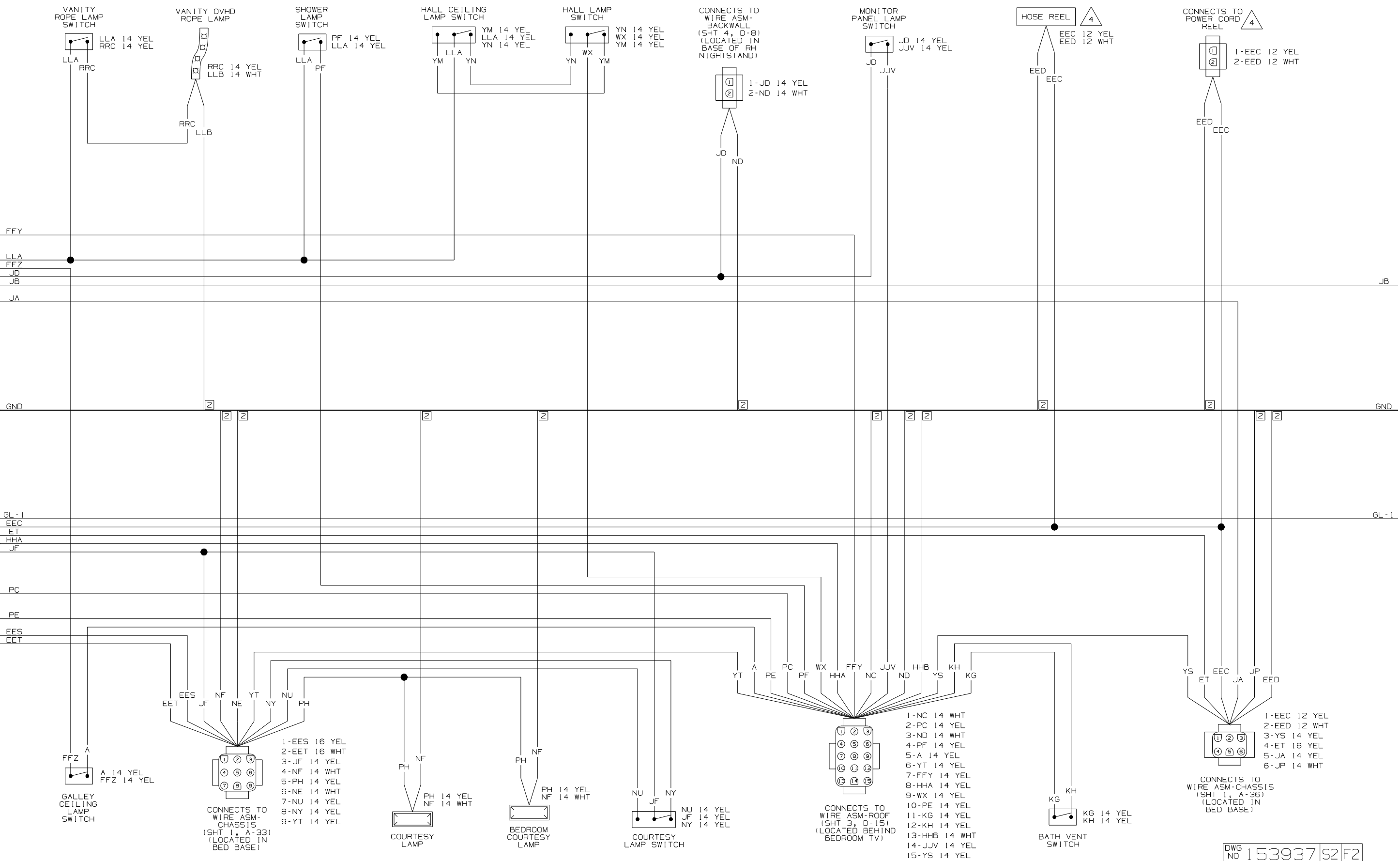


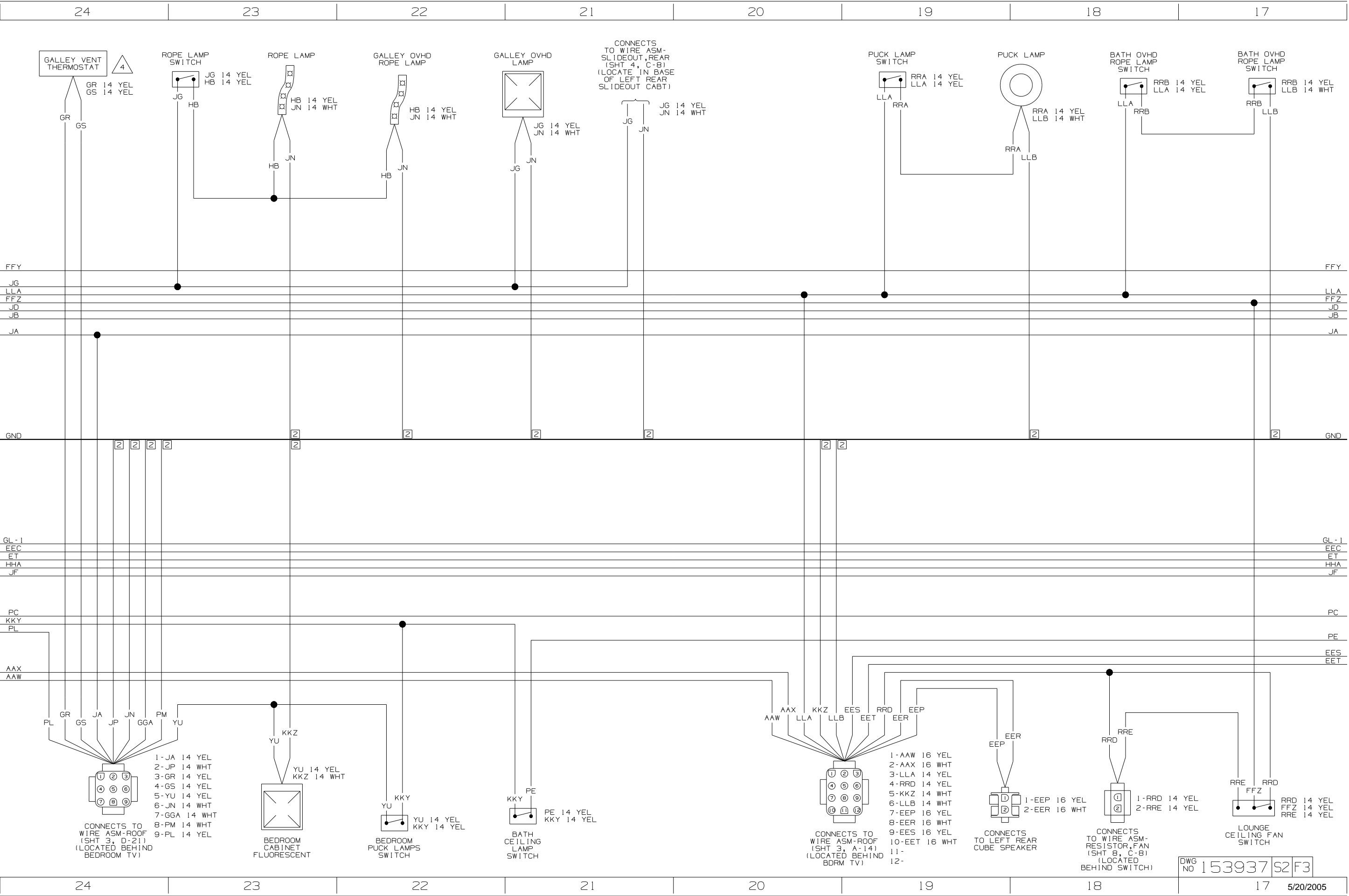
A-RE 12 YEL B-RK 12 WHT

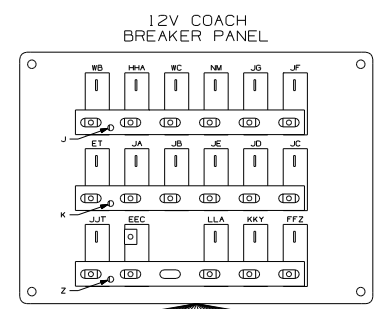




- 8 SEE WIRING DIAGRAM-AUTO LAMPS FOR ADDITIONAL INFORMATION.
 - 7 SEE SHT 6 FOR ADDITIONAL INFORMATION.
 - 6 SEE WIRING DIAGRAM-COACH (SHT 2) FOR ADDITIONAL INFORMATION.
 - 5 SEE WIRING DIAGRAM-AUTO FOR ADDITIONAL INFORMATION.
 - 4 SEE MANUFACTURERS DIAGRAM FOR ADDITIONAL INFORMATION.
 - 3 GROUNDS ARE SHOWN AS A SINGLE LINE FOR EASE IN TRACING. EACH GROUND CIRCUIT IS SEPERATE IN THE HARNESS.
 - 2 NOT A SPLICE POINT. INDICATES ENTRY INTO WIRING HARNESS.
- NOTES:
- SPLICES ARE THEORETICAL AND MAY DIFFER IN THE HARNESS.

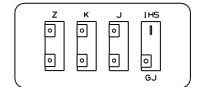






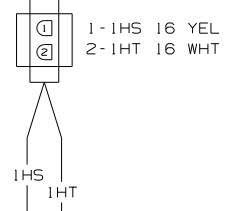
- J 6 BLK
- K 6 BLK
- Z 6 BLK
- WB 16 YEL
- HHA 14 YEL
- WC 14 YEL
- NM 14 YEL
- JG 14 YEL
- JF 14 YEL
- ET 16 YEL
- JA 12 YEL
- JB 14 YEL
- JE 14 YEL
- JD 14 YEL
- JC 14 YEL
- JJT 14 YEL
- EEC 12 YEL
- LLA 14 YEL
- KKY 14 YEL
- FFZ 14 YEL
- z

12V CHASSIS BREAKER PANEL (LOCATED IN POWERCORD COMPT)

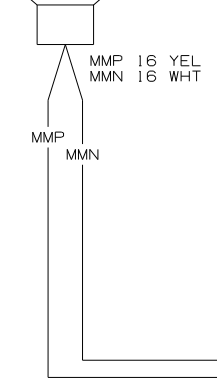


- Z 6 BLK
- K 6 BLK
- J 6 BLK
- IHS 16 YEL
- GJ 16 YEL

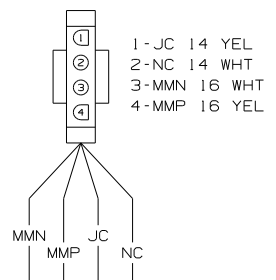
CONNECTS TO SOLAR CHARGER INDICATOR LAMP



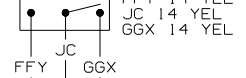
SUBWOOFER



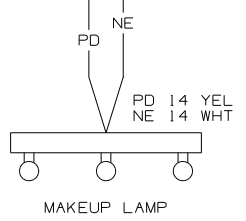
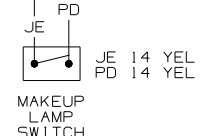
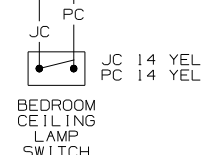
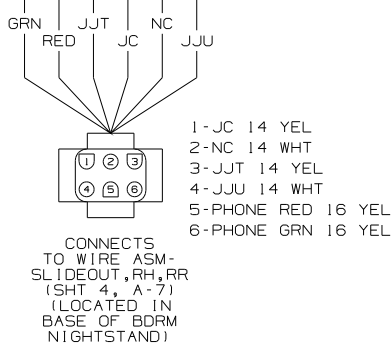
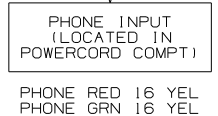
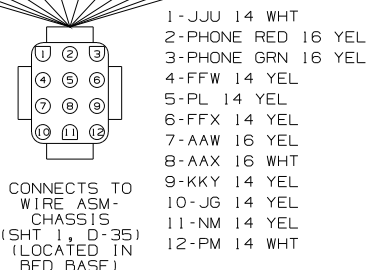
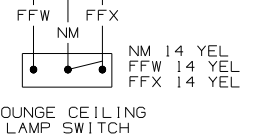
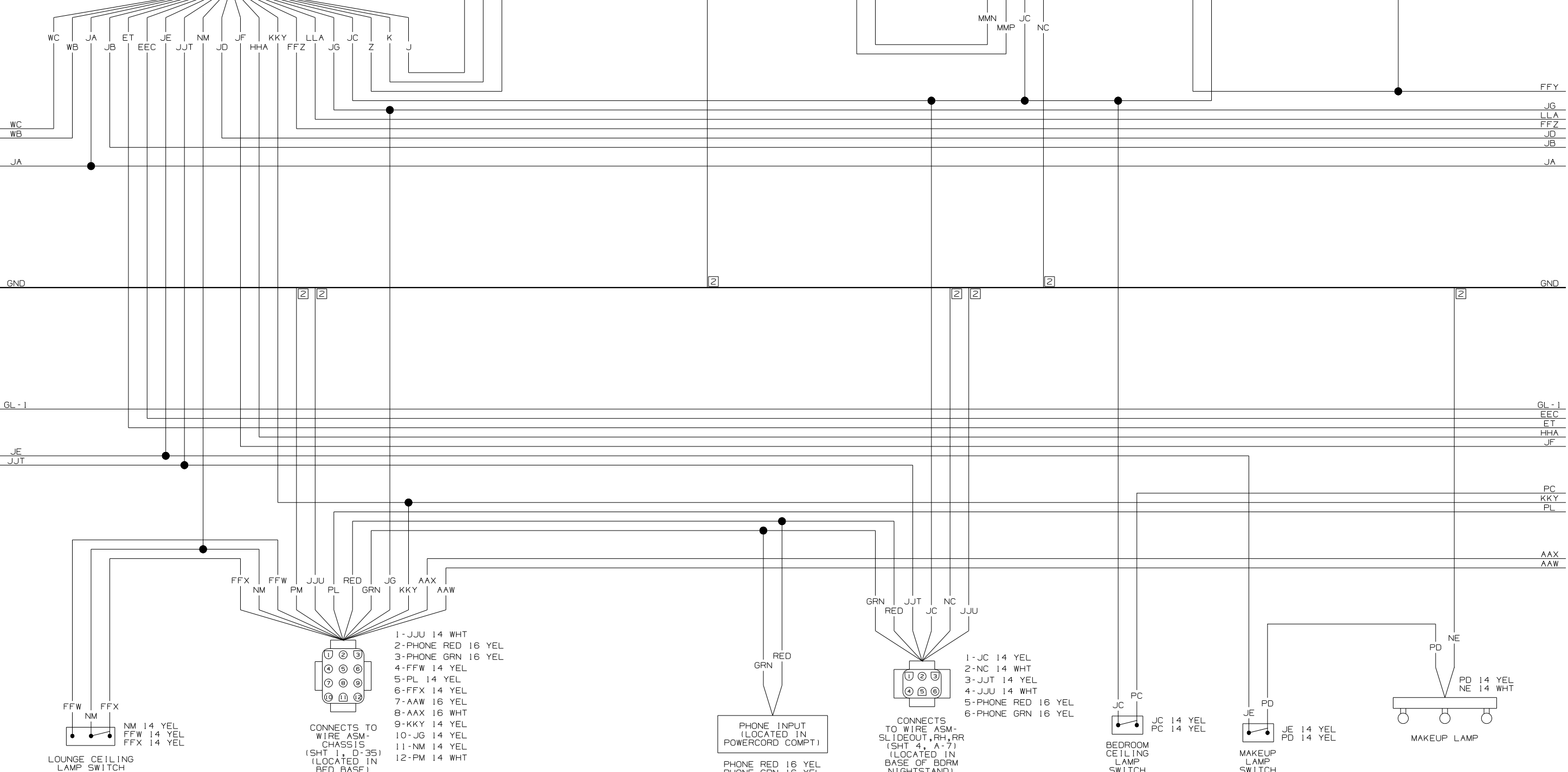
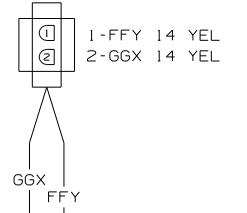
CONNECTS TO WIRE ASM-REAR STEREO (SHT 5, C-3) (LOCATED IN BASE OF BDRM NIGHTSTAND)



FAN SWITCH



CONNECTS TO WIRE ASM-RESISTOR, FAN (SHT 8, C-8) (LOCATED BEHIND SWITCH)



CONNECTS TO LOAD SHEDDER CONTROL BOARD (LOCATED IN 110V PANEL) 4 8

CONNECTS TO A/C CORD (LOCATED BEHIND THERMOSTAT) 8

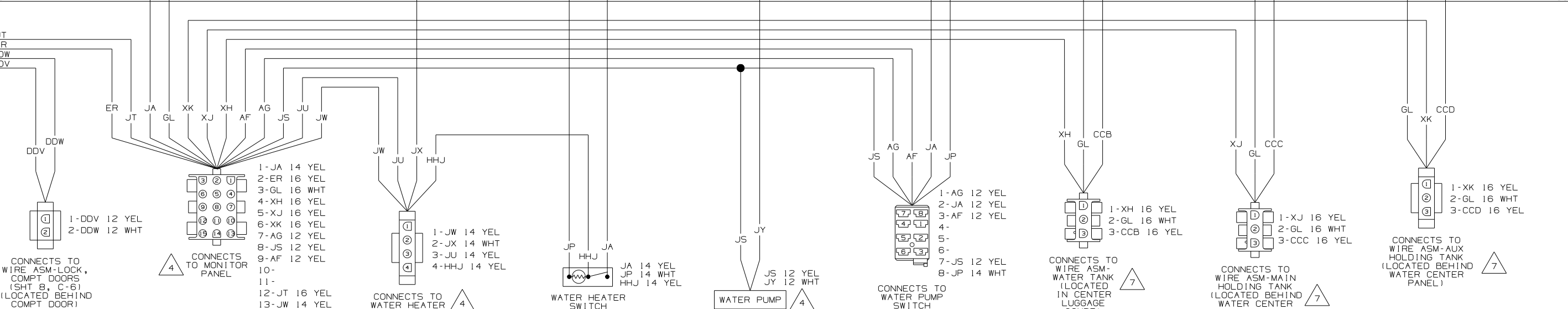
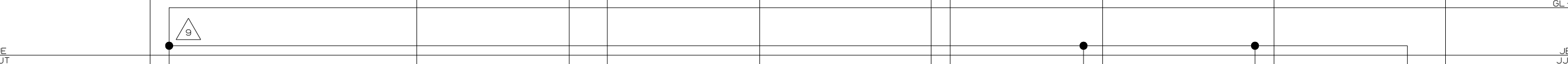
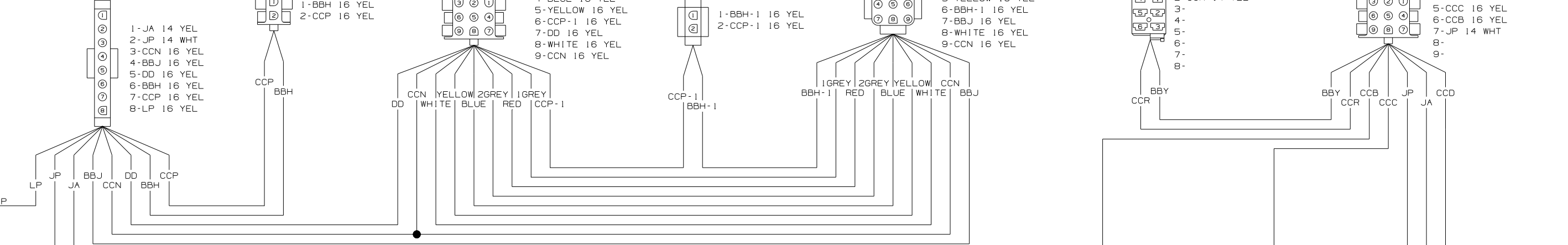
CONNECTS TO A/C CORD (LOCATED BEHIND THERMOSTAT) 8

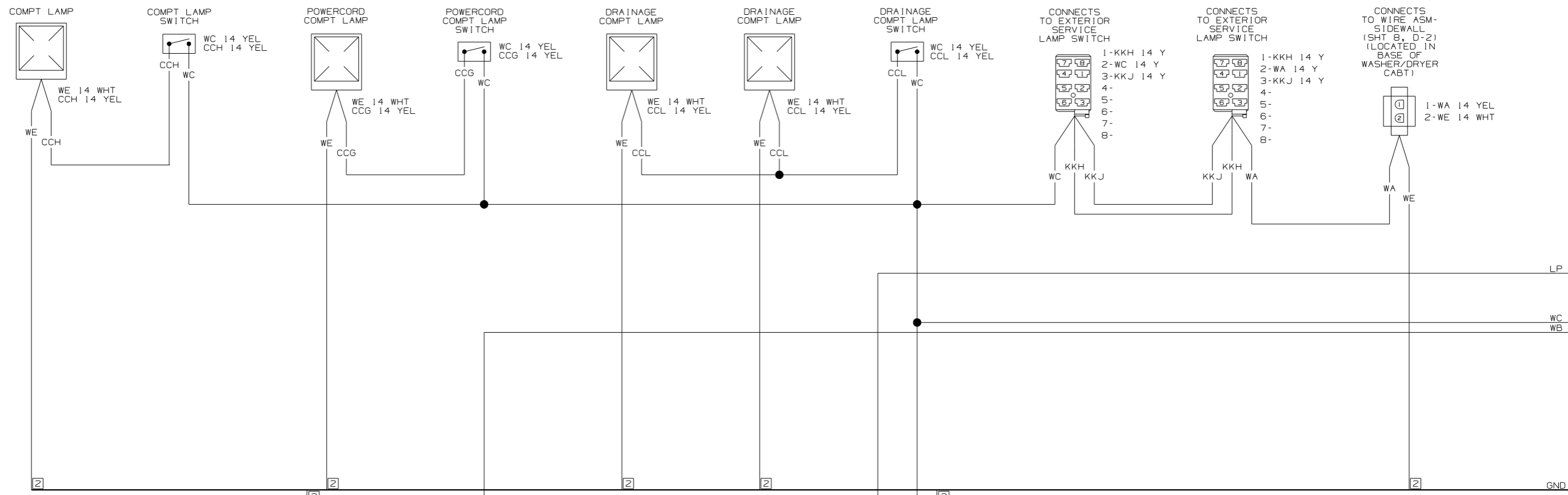
CONNECTS TO A/C CORD (LOCATED BEHIND THERMOSTAT) 8

CONNECTS TO THERMOSTAT 4 8

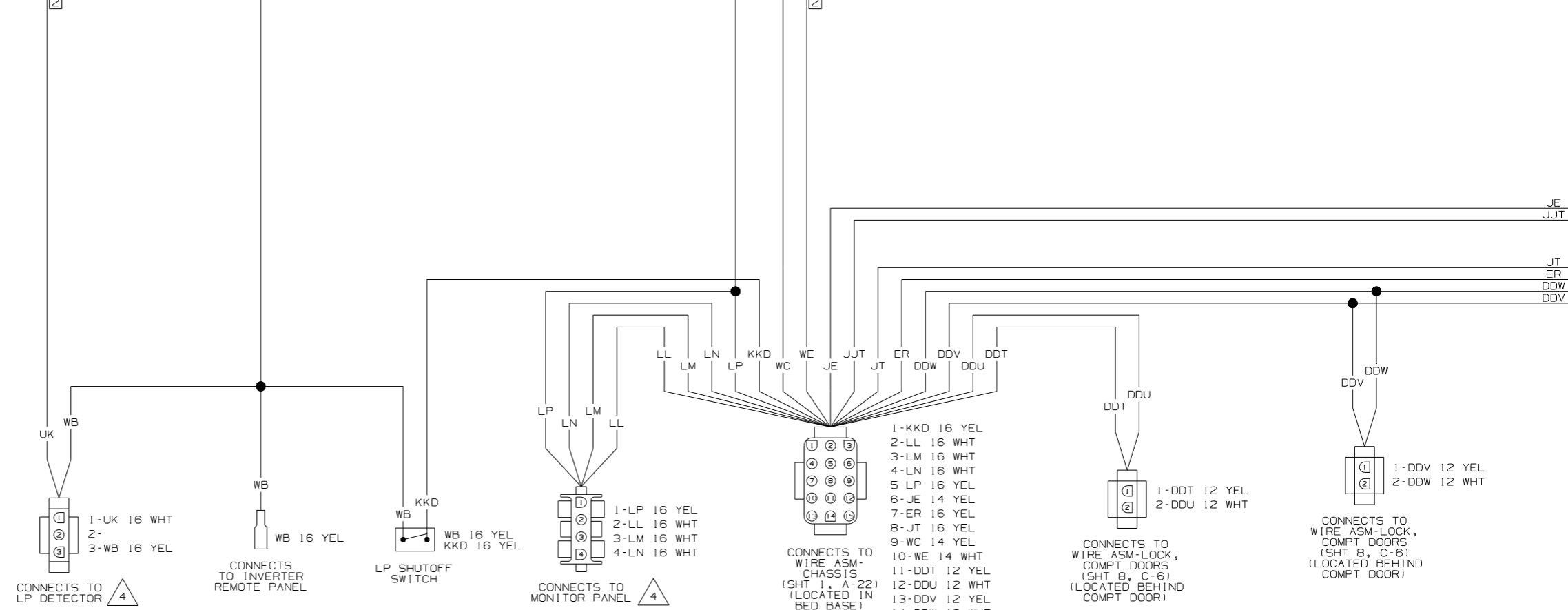
CONNECTS TO MONITOR PANEL SWITCH

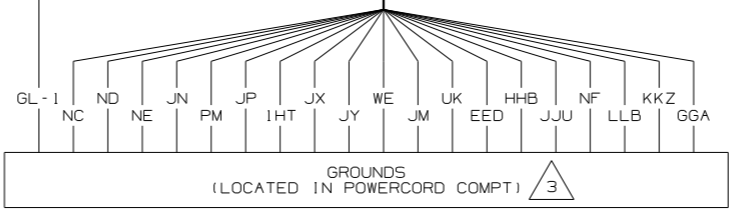
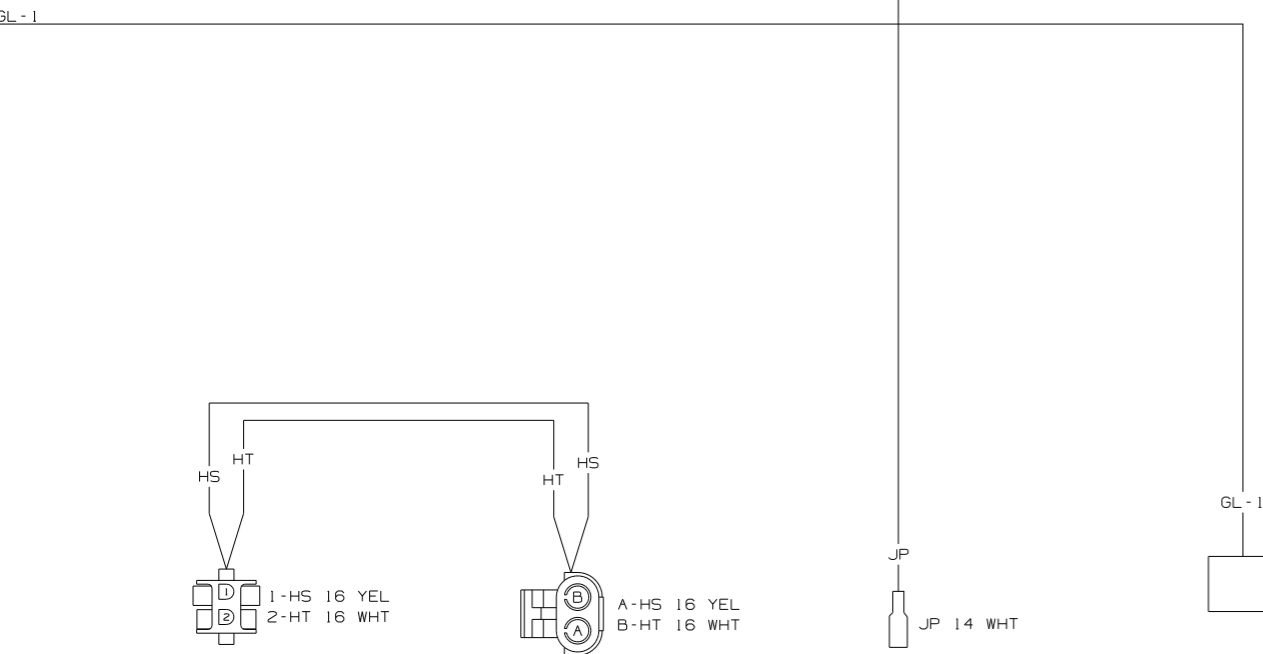
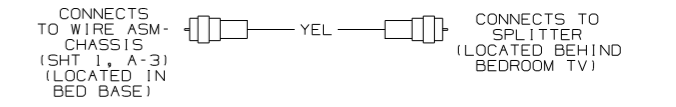
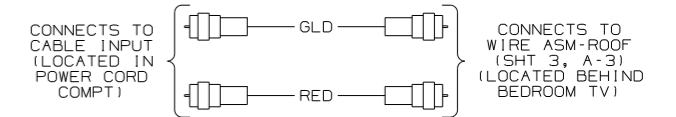
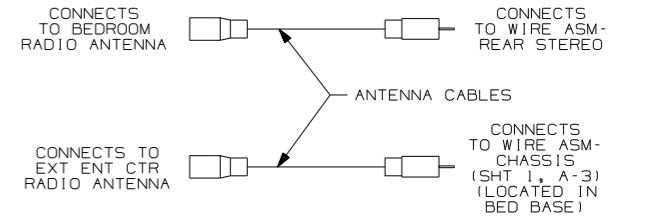
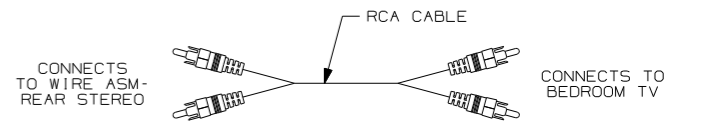
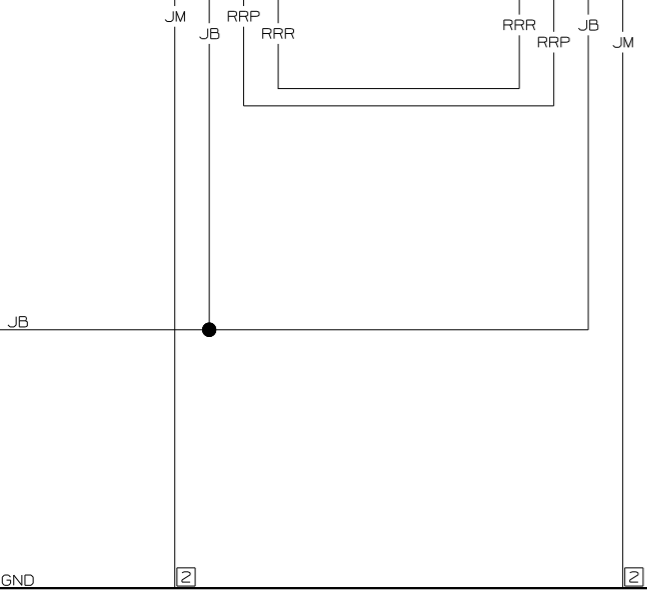
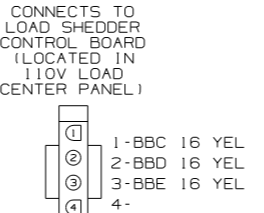
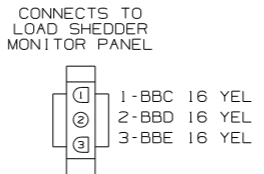
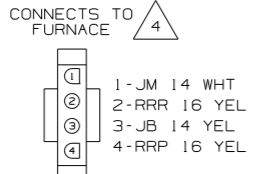
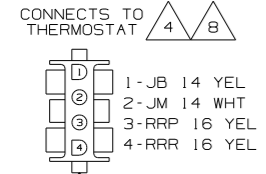
CONNECTS TO EXTERIOR MONITOR PANEL 4





- 9. GL AND GL-1 ARE TO BE SPLICED TOGETHER 100MM AWAY FROM MONITOR PANEL HOUSING FOR ISOLATION PURPOSES.
 - 8. SEE WIRING DIAGRAM-AC/HEAT/EMS FOR ADDITIONAL INFORMATION.
 - 7. SEE WIRING DIAGRAM-HOLDING TANKS FOR ADDITIONAL INFORMATION.
 - 6. SEE WIRING INSTL-BODY, 12V OR WIRING DIAGRAM-CHASSIS FOR ADDITIONAL INFORMATION. (BREAKERS ARE PART OF CHASSIS WIRING.)
 - 5. SEE WIRING DIAGRAM-AUTO FOR ADDITIONAL INFORMATION.
 - 4. SEE MANUFACTURERS DIAGRAM FOR ADDITIONAL INFORMATION.
 - 3. GROUNDS ARE SHOWN AS A SINGLE LINE FOR EASE IN TRACING. EACH GROUND CIRCUIT IS SEPERATE IN THE HARNESS.
 - 2. NOT A SPLICE POINT. INDICATES ENTRY INTO WIRING HARNESS.
- NOTES:
- 1. SPLICES ARE THEORETICAL AND MAY DIFFER IN THE HARNESS.





NC 14 WHT	JP 14 WHT	WE 14 WHT	JJU 14 WHT
ND 14 WHT	IHT 16 WHT	JM 14 WHT	NF 14 WHT
NE 14 WHT	GL-1 14 WHT	UK 16 WHT	LLB 14 WHT
JN 14 WHT	JX 14 WHT	EED 12 WHT	KKZ 14 WHT
PM 14 WHT	JY 12 WHT	HHB 14 WHT	GGA 14 WHT

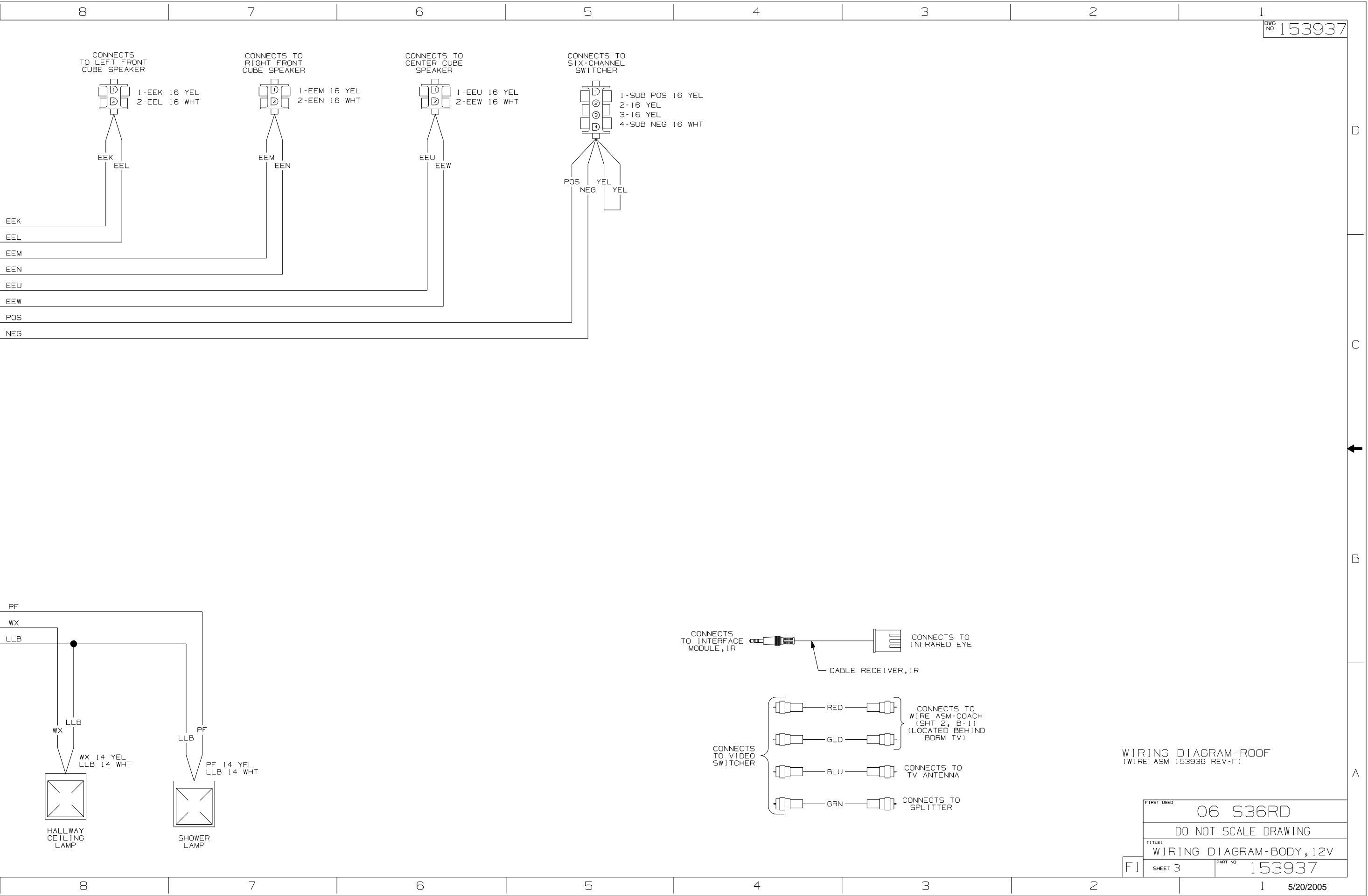
WIRING DIAGRAM-COACH (WIRE ASM 153935 REV-E)

FIRST USED 06 S36RD

DO NOT SCALE DRAWING

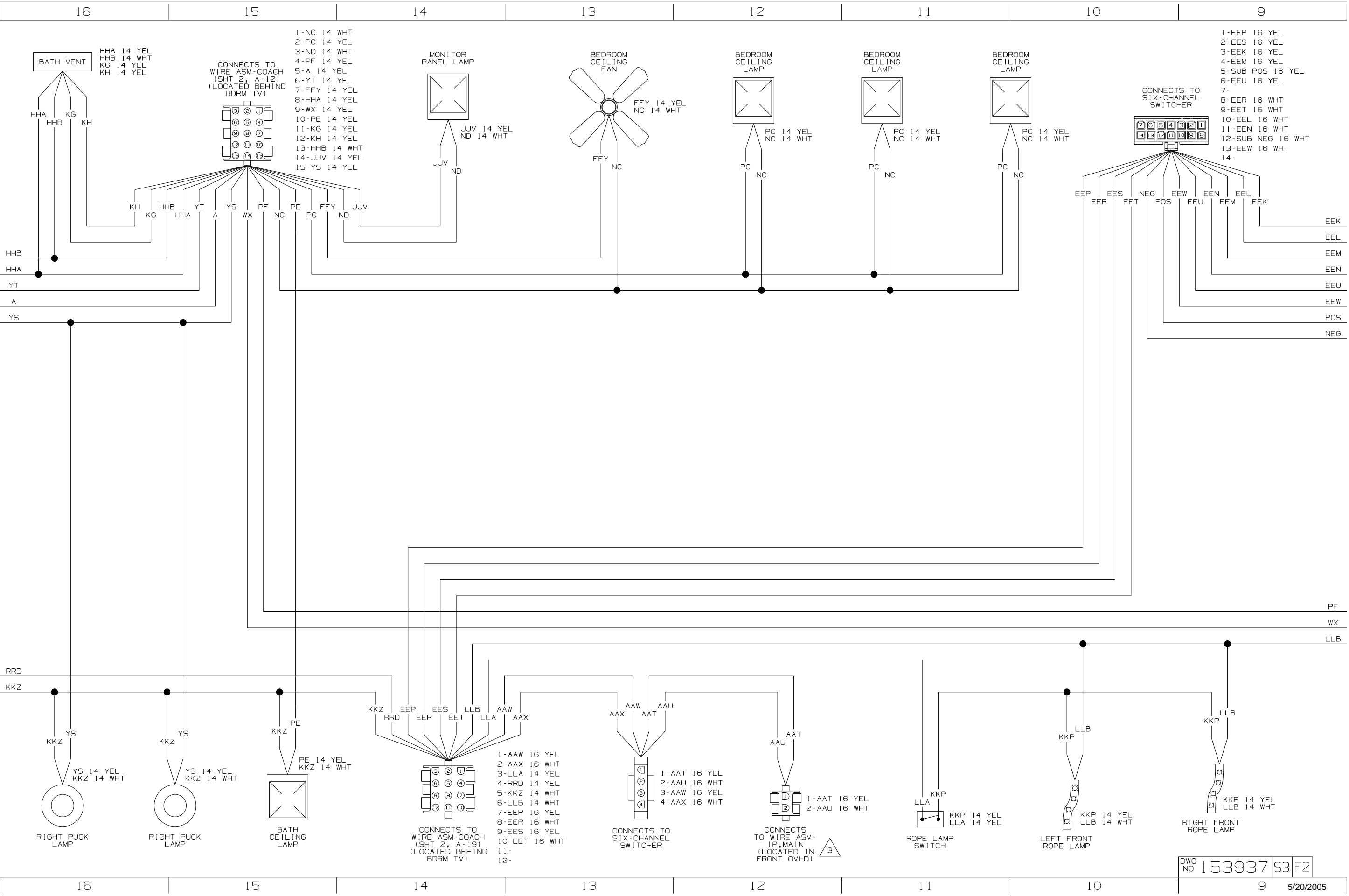
TITLE: WIRING DIAGRAM-BODY, 12V

F1 SHEET 2 PART NO 153937



WIRING DIAGRAM-ROOF
(WIRE ASM 153936 REV-F)

FIRST USED	06 S36RD	
TITLE	DO NOT SCALE DRAWING	
	WIRING DIAGRAM-BODY, 12V	
F1	SHEET 3	PART NO 153937



- 1-NC 14 WHT
- 2-PC 14 YEL
- 3-ND 14 WHT
- 4-PF 14 YEL
- 5-A 14 YEL
- 6-YT 14 YEL
- 7-FFY 14 YEL
- 8-HHA 14 YEL
- 9-WX 14 YEL
- 10-PE 14 YEL
- 11-KG 14 YEL
- 12-KH 14 YEL
- 13-HHB 14 WHT
- 14-JJV 14 YEL
- 15-YS 14 YEL

CONNECTS TO WIRE ASM-COACH (SHT 2, A-12) (LOCATED BEHIND BDRM TV)

- 1-AAW 16 YEL
- 2-AAX 16 WHT
- 3-LLA 14 YEL
- 4-RRD 14 YEL
- 5-KKZ 14 WHT
- 6-LLB 14 WHT
- 7-EEP 16 YEL
- 8-EER 16 WHT
- 9-EES 16 YEL
- 10-EET 16 WHT
- 11-
- 12-

CONNECTS TO WIRE ASM-COACH (SHT 2, A-19) (LOCATED BEHIND BDRM TV)

- 1-AAT 16 YEL
- 2-AAU 16 WHT
- 3-AAW 16 YEL
- 4-AAX 16 WHT

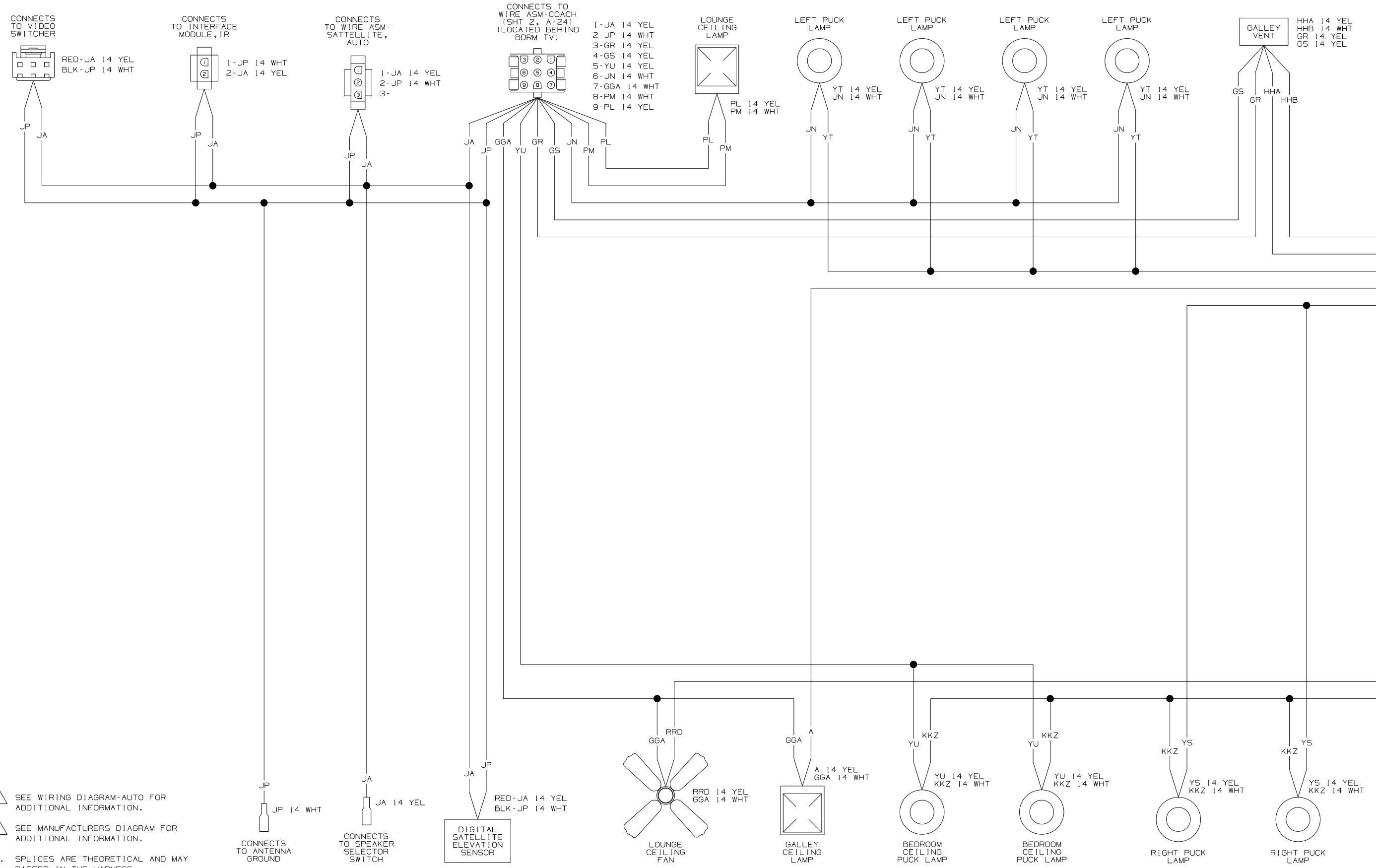
CONNECTS TO SIX-CHANNEL SWITCHER

- 1-AAT 16 YEL
- 2-AAU 16 WHT

CONNECTS TO WIRE ASM-IP, MAIN (LOCATED IN FRONT OVHD)

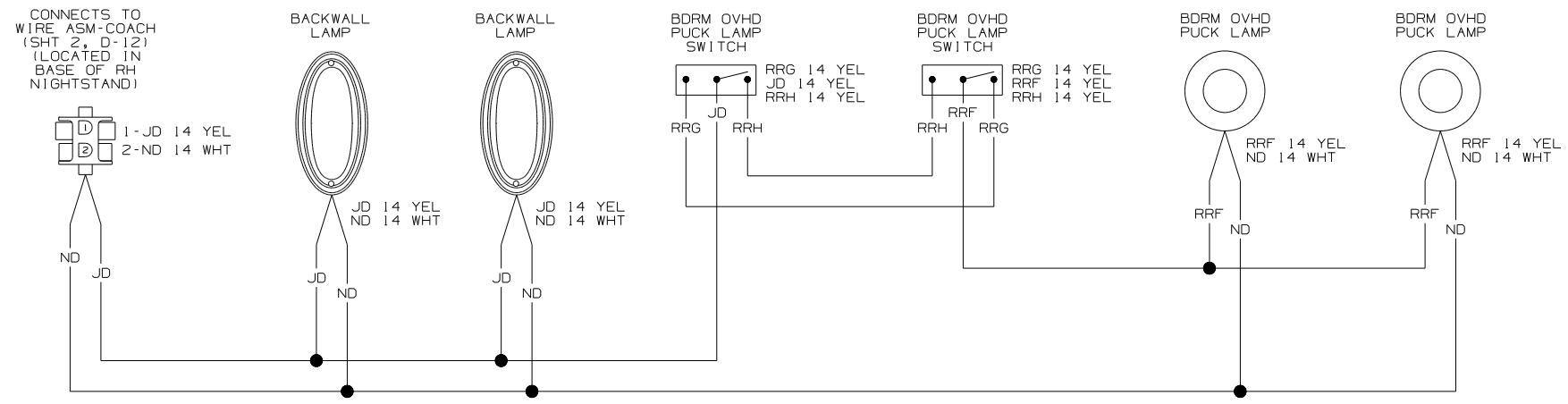
- 1-EEP 16 YEL
- 2-EES 16 YEL
- 3-EEK 16 YEL
- 4-EEM 16 YEL
- 5-SUB POS 16 YEL
- 6-EEU 16 YEL
- 7-
- 8-EER 16 WHT
- 9-EET 16 WHT
- 10-EEL 16 WHT
- 11-EEN 16 WHT
- 12-SUB NEG 16 WHT
- 13-EEW 16 WHT
- 14-

CONNECTS TO SIX-CHANNEL SWITCHER

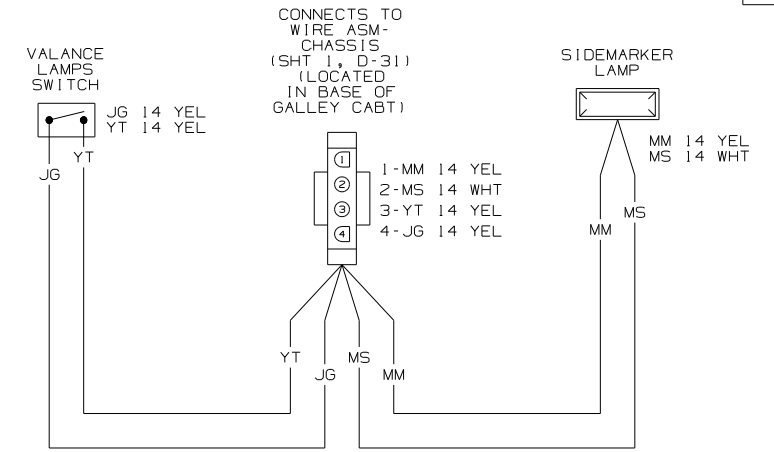


- 3 SEE WIRING DIAGRAM-AUTO FOR ADDITIONAL INFORMATION.
 - 2 SEE MANUFACTURERS DIAGRAM FOR ADDITIONAL INFORMATION.
1. SPLICES ARE THEORETICAL AND MAY DIFFER IN THE HARNESS.

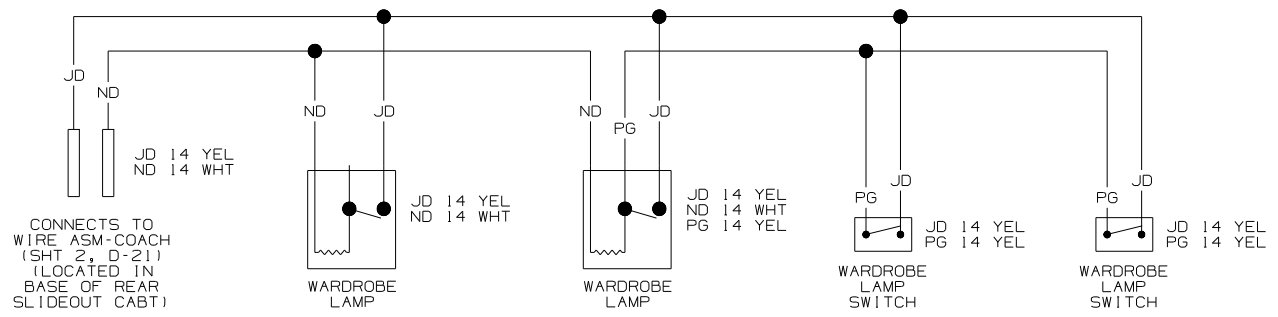
NOTES:



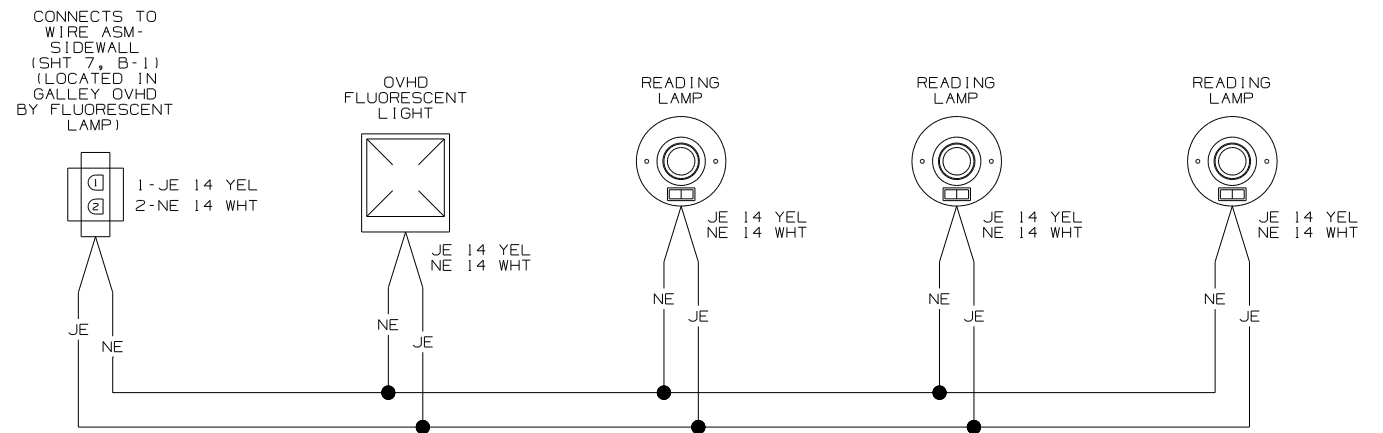
WIRING DIAGRAM-BACKWALL
(WIRE ASM 154033 REV-A)



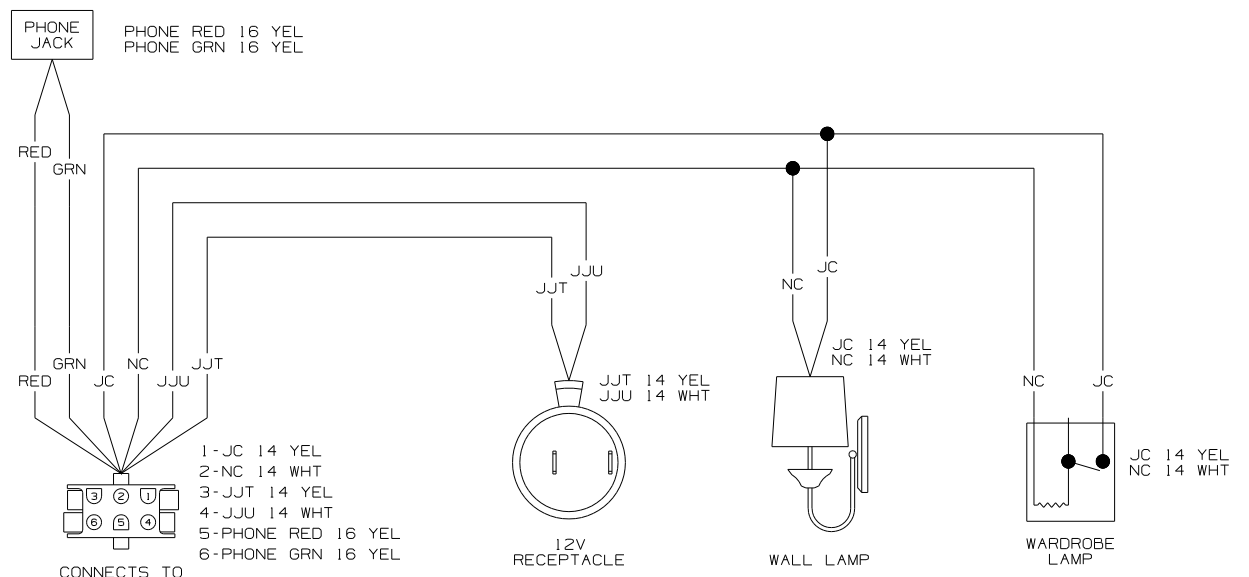
WIRING DIAGRAM-SLIDEOUT, LH, FRT
(WIRE ASM 145647 REV-A)



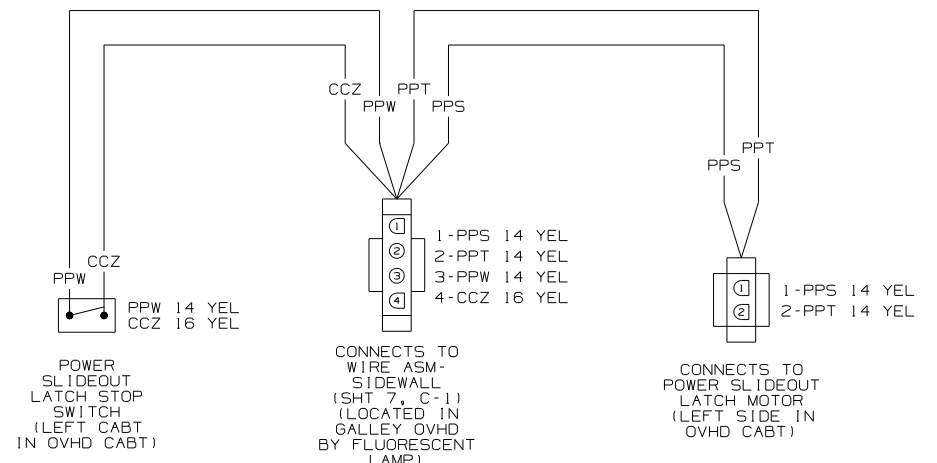
WIRING DIAGRAM-SLIDEOUT, REAR
(WIRE ASM 137456 REV-E)



WIRING DIAGRAM-SLIDEOUT, RH, RR
(WIRE ASM 150548 REV-B)



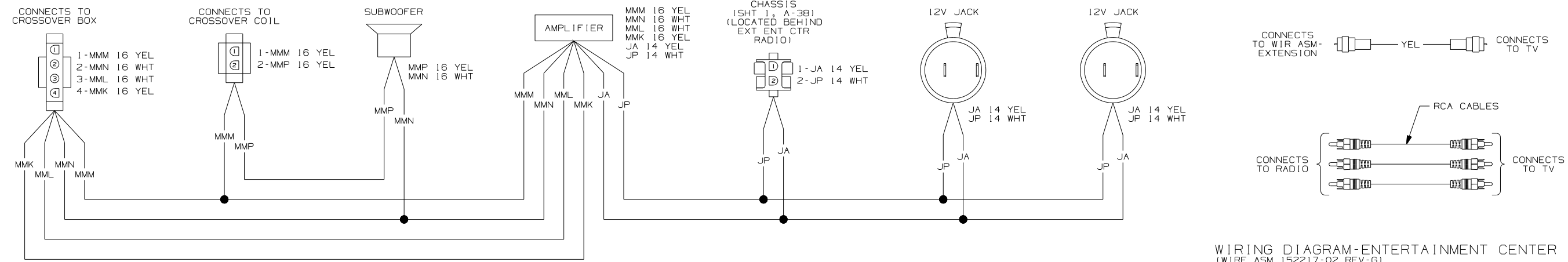
WIRING DIAGRAM-SLIDEOUT, RH, RR
(WIRE ASM 150548 REV-B)



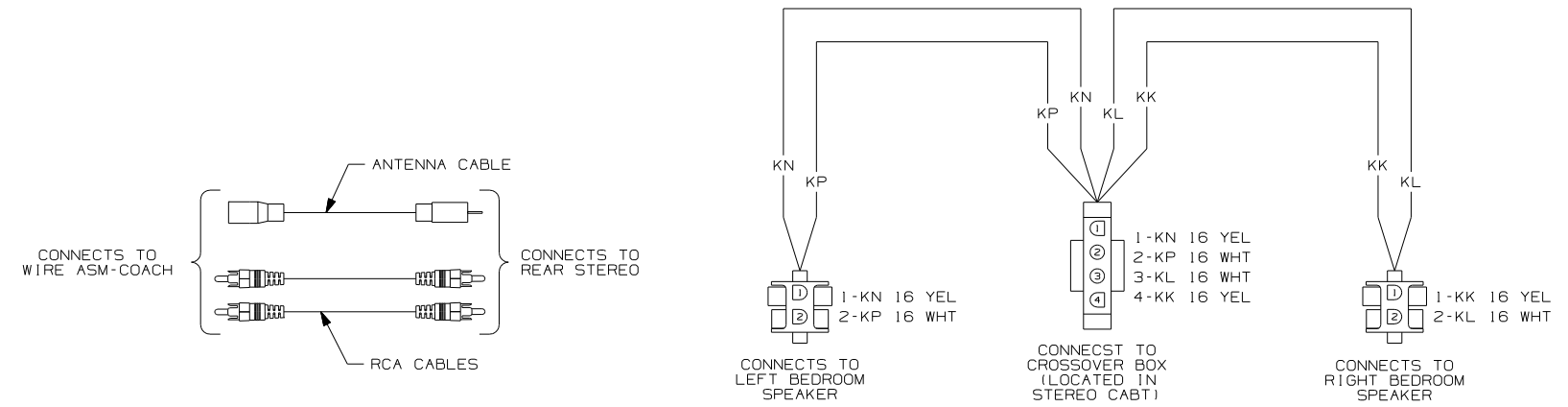
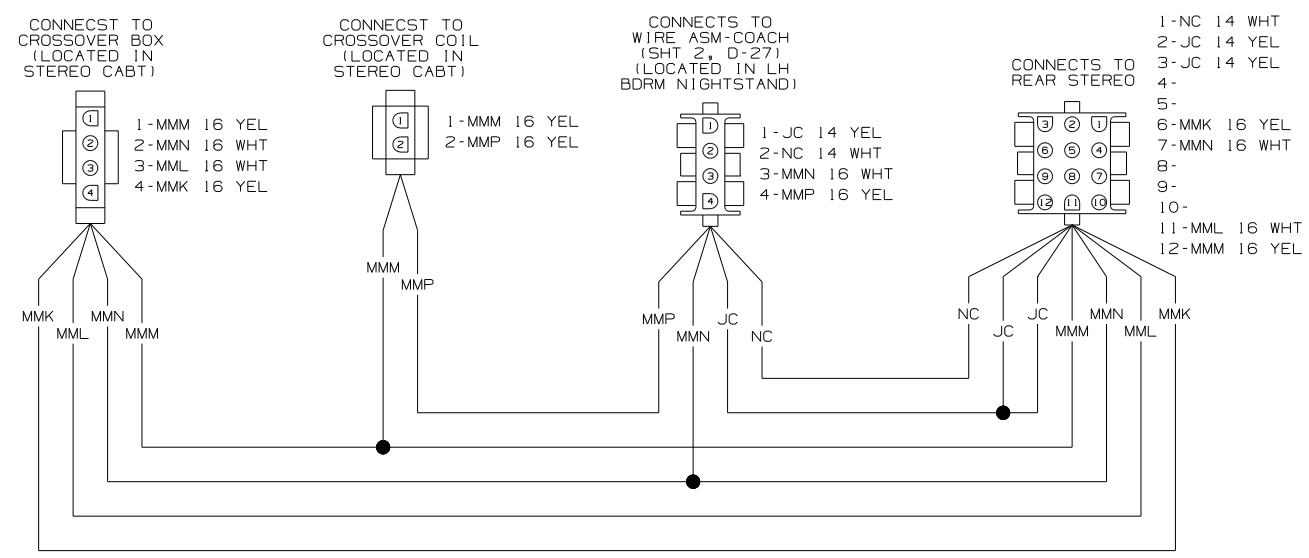
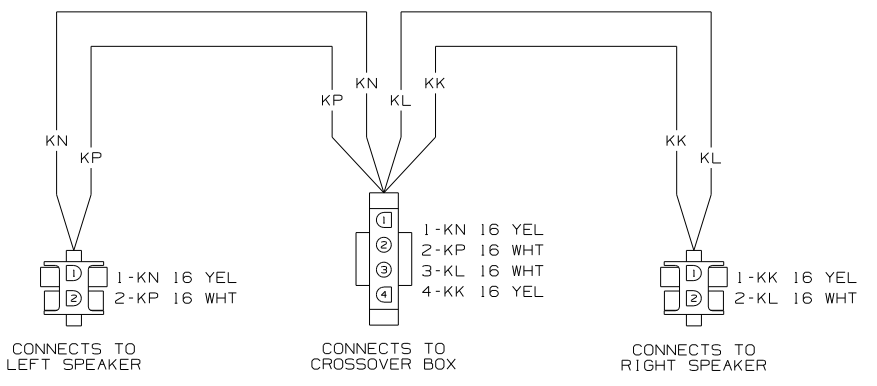
WIRING DIAGRAM-OVHD
(WIRE ASM 153959 REV-B)

- NOTES:
- 3 SEE WIRING DIAGRAM-AUTO FOR ADDITIONAL INFORMATION.
 - 2 SEE MANUFACTURERS DIAGRAM FOR ADDITIONAL INFORMATION.
 - 1. SPLICES ARE THEORETICAL AND MAY DIFFER IN THE HARNESS.

FIRST USED	06 S36RD
TITLE	DO NOT SCALE DRAWING
TITLE	WIRING DIAGRAM-BODY, 12V
SHEET 4	PART NO 153937



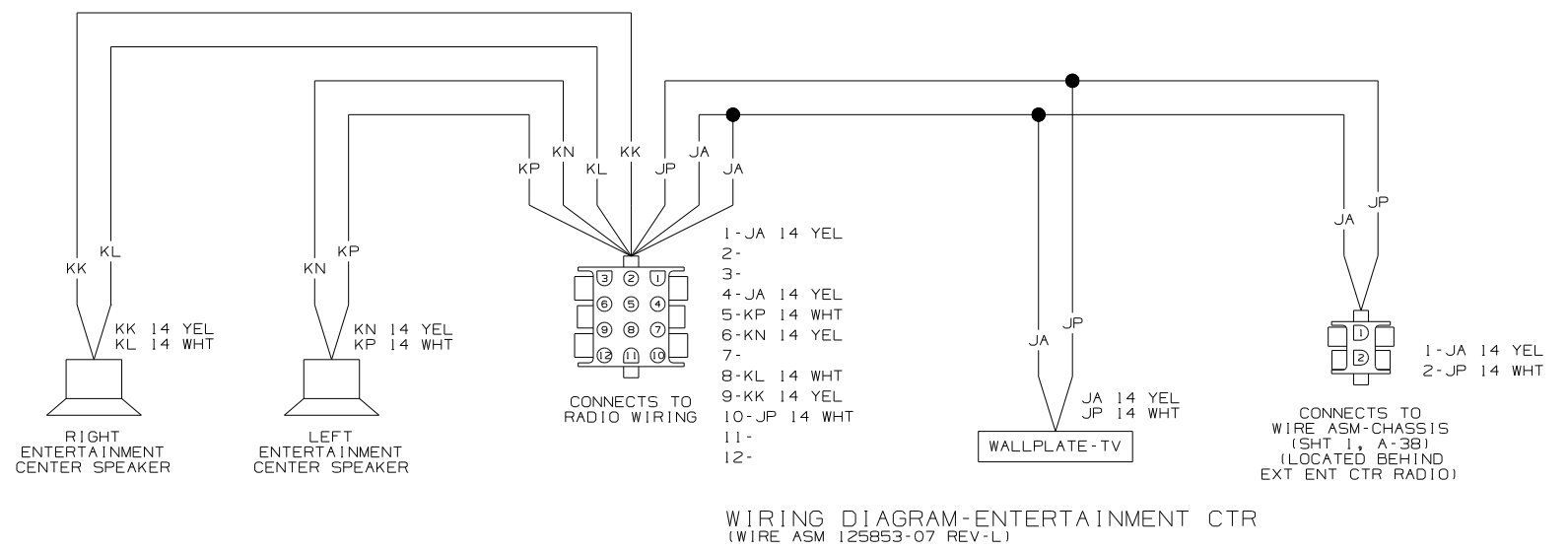
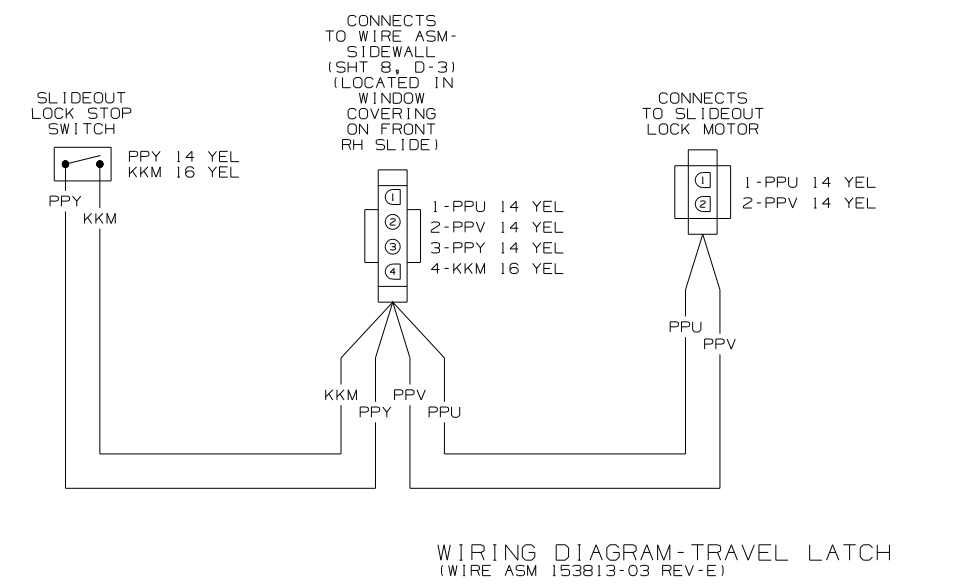
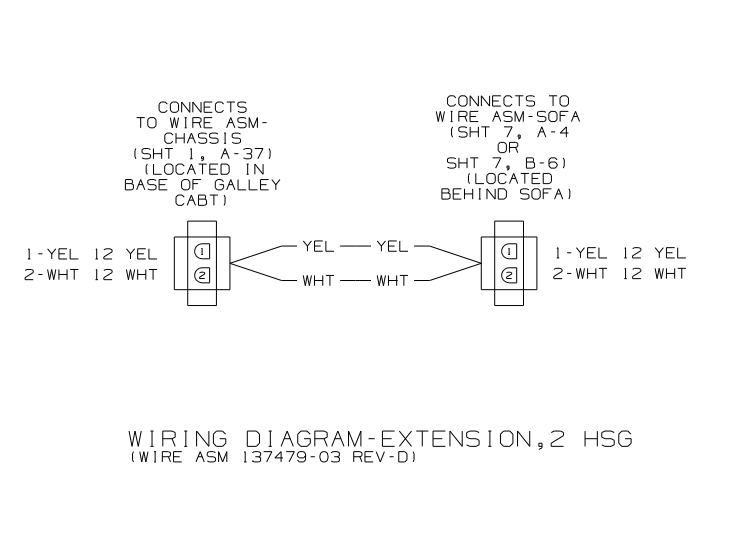
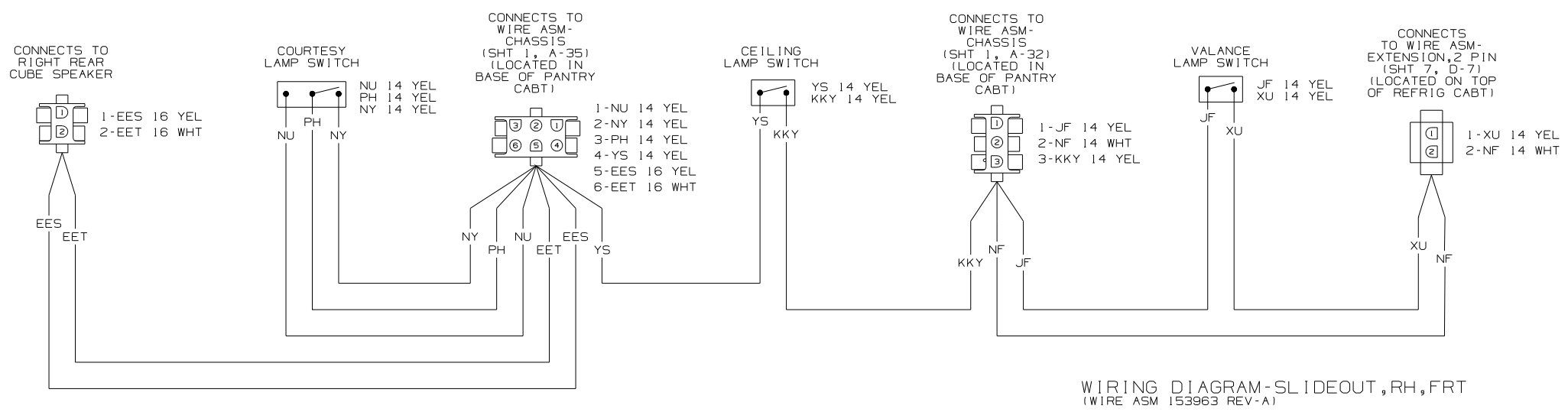
WIRING DIAGRAM-ENTERTAINMENT CENTER (WIRE ASM 152217-02 REV-G)



WIRING DIAGRAM-REAR STEREO (WIRE ASM 150563 REV-C)

3 SEE WIRING DIAGRAM-AUTO FOR ADDITIONAL INFORMATION.
 2 SEE MANUFACTURERS DIAGRAM FOR ADDITIONAL INFORMATION.
 1. SPLICES ARE THEORETICAL AND MAY DIFFER IN THE HARNESS.

FIRST USED	06 S36RD
TITLE	DO NOT SCALE DRAWING
	WIRING DIAGRAM-BODY, 12V
SHEET 5	PART NO 153937



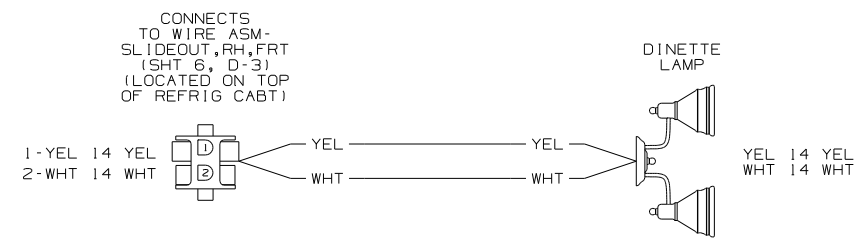
3 SEE WIRING DIAGRAM-AUTO FOR ADDITIONAL INFORMATION.

2 SEE MANUFACTURERS DIAGRAM FOR ADDITIONAL INFORMATION.

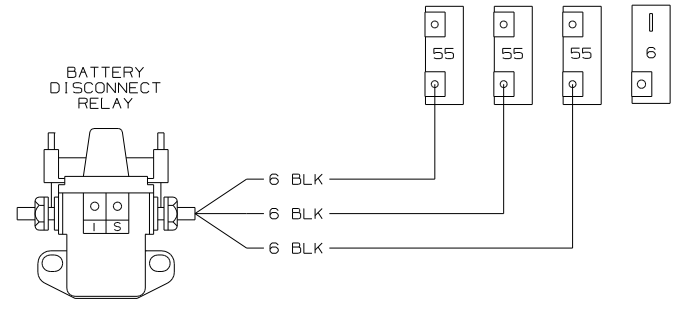
1. SPLICES ARE THEORETICAL AND MAY DIFFER IN THE HARNESS.

NOTES:

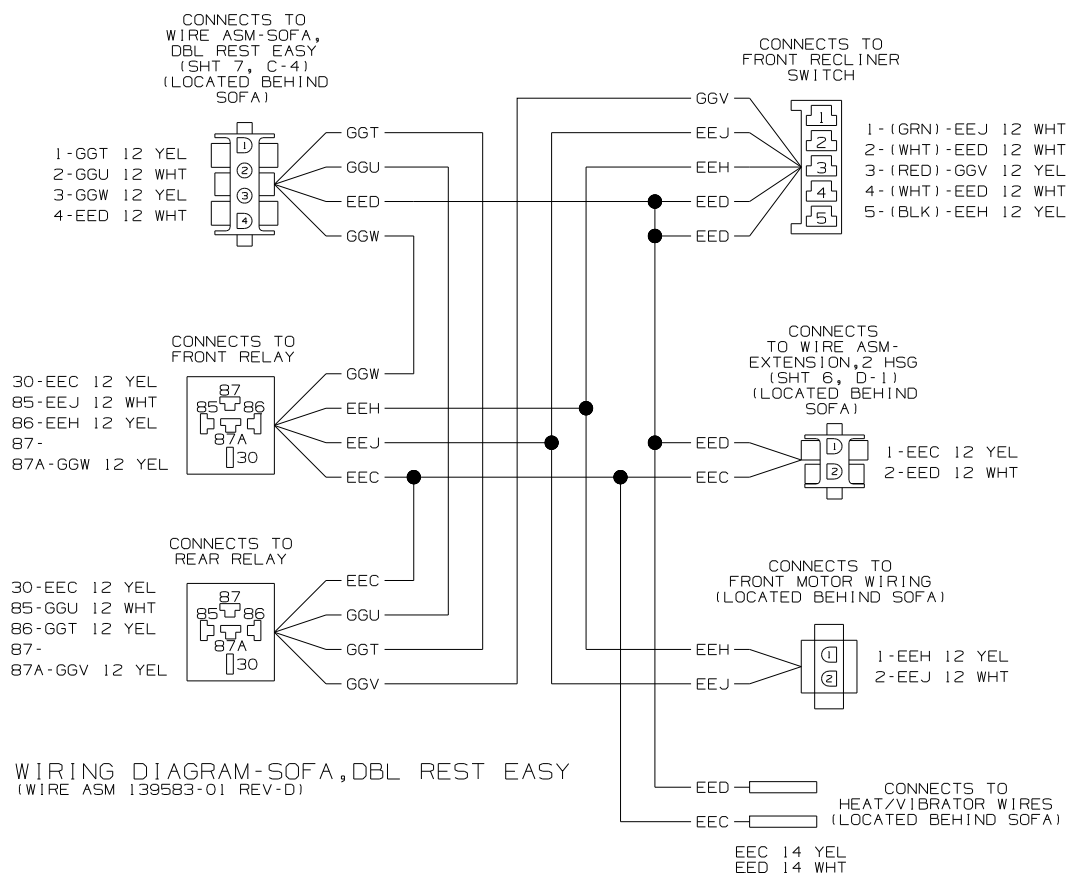
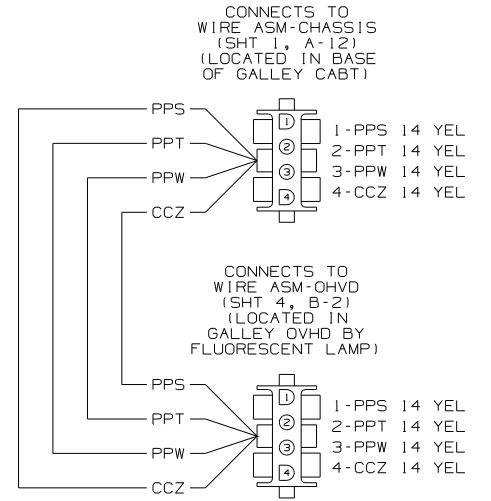
FIRST USED	06 S36RD
TITLE	DO NOT SCALE DRAWING
TITLE	WIRING DIAGRAM-BODY, 12V
SHEET 6	PART NO 153937



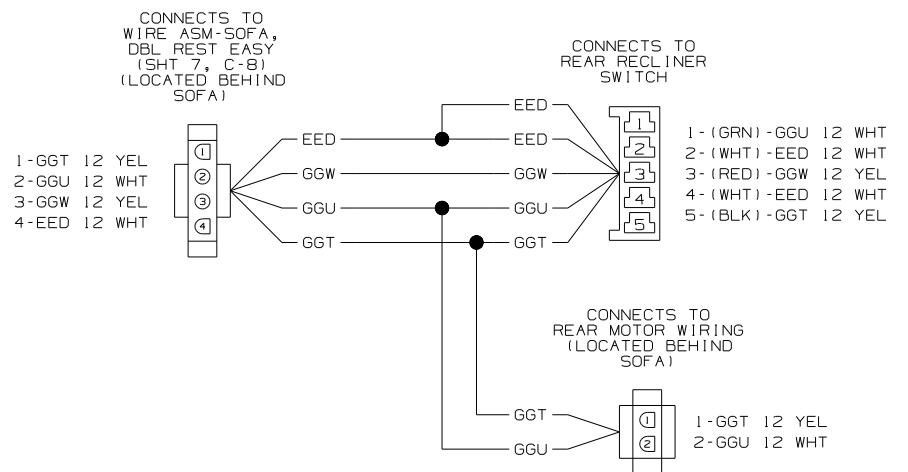
WIRING DIAGRAM-EXTENSION,2 PIN
(WIRE ASM 149130 REV-B)



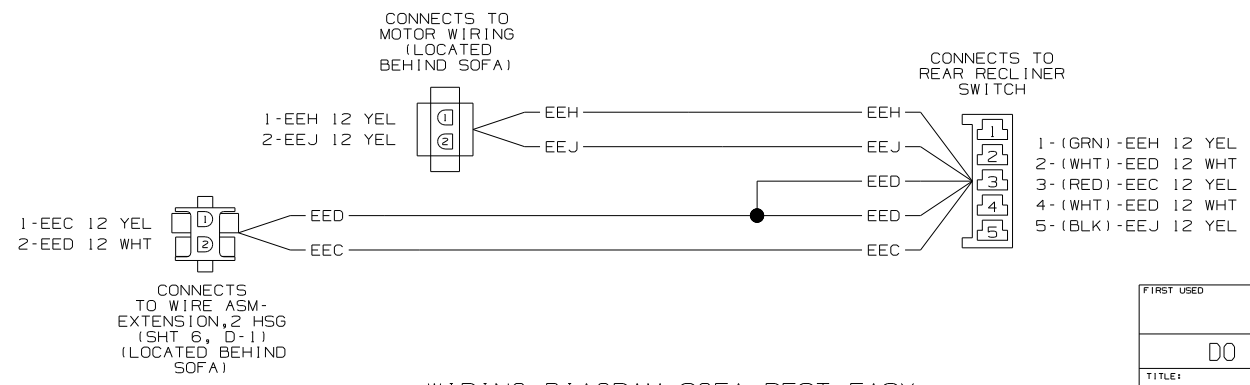
WIRING DIAGRAM-CHASSIS BKR FEED
(CABLE ASM 103843-06 REV-J)



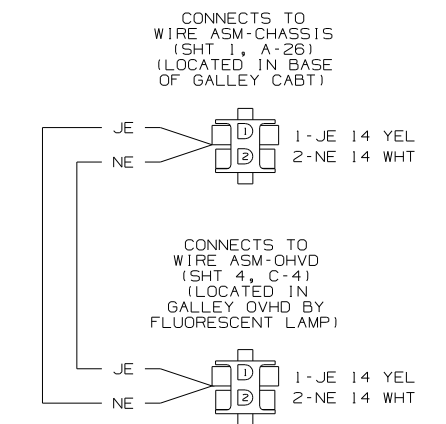
WIRING DIAGRAM-SOFA,DBL REST EASY
(WIRE ASM 139583-01 REV-D)



WIRING DIAGRAM-SOFA,DBL REST EASY
(WIRE ASM 139583-02 REV-D)



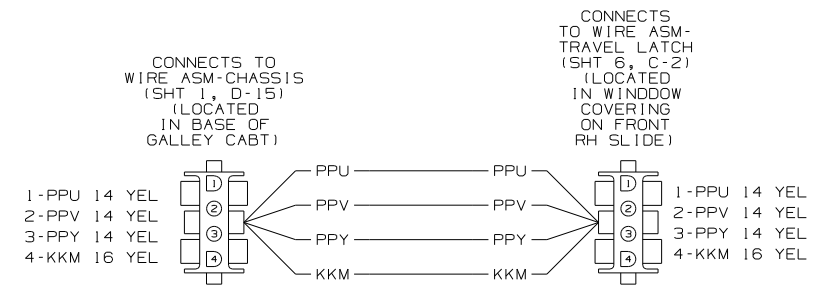
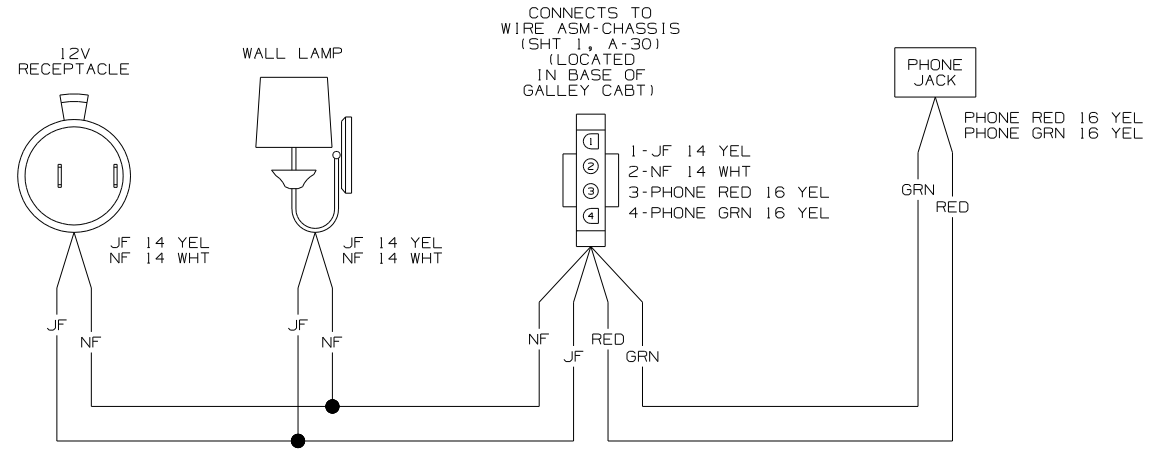
WIRING DIAGRAM-SOFA,REST EASY
(WIRE ASM 136028-01 REV-A)



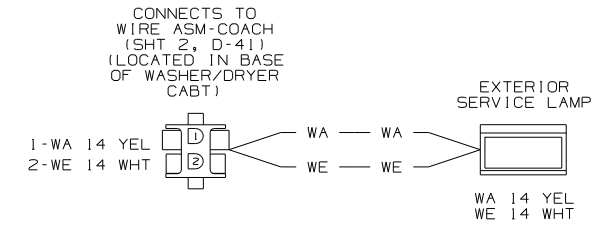
WIRING DIAGRAM-SIDEWALL
(WIRE ASM 153958 REV-B)

- NOTES:
- 3 SEE WIRING DIAGRAM-AUTO FOR ADDITIONAL INFORMATION.
 - 2 SEE MANUFACTURERS DIAGRAM FOR ADDITIONAL INFORMATION.
 - 1. SPLICES ARE THEORETICAL AND MAY DIFFER IN THE HARNESS.

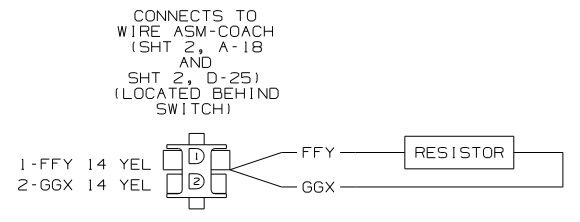
FIRST USED	06 S36RD
TITLE	DO NOT SCALE DRAWING
TITLE	WIRING DIAGRAM-BODY,12V
SHEET 7	PART NO 153937



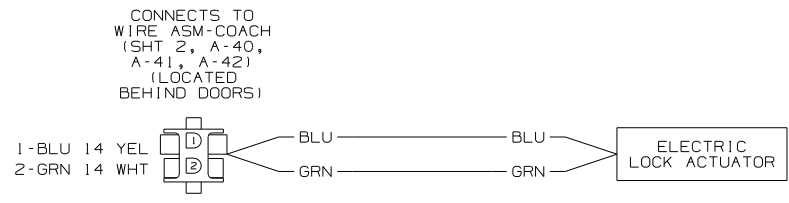
WIRING DIAGRAM-SIDEWALL (WIRE ASM 153950-01 REV-F)



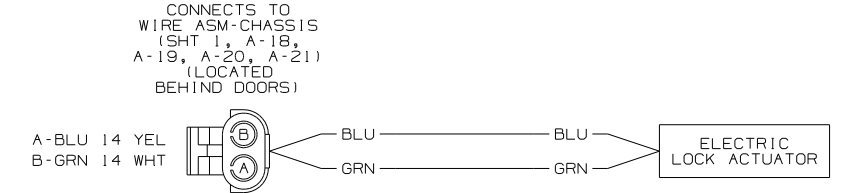
WIRING DIAGRAM-SIDEWALL (WIRE ASM 77093-15 REV-AG)



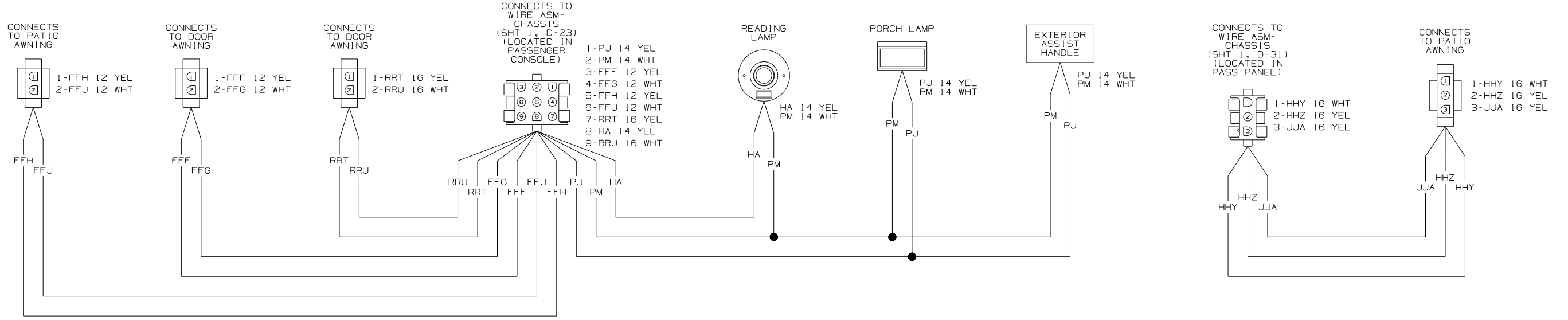
WIRING DIAGRAM-RESISTOR, FAN (WIRE ASM 140195 REV-A)



WIRING DIAGRAM-LOCKS, COMPT DOORS (WIRE ASM 135834-02 REV-J AND WIRE ASM 135834-05 REV-J)



WIRING DIAGRAM-LOCKS, COMPT DOORS (WIRE ASM 135834-03 REV-J)

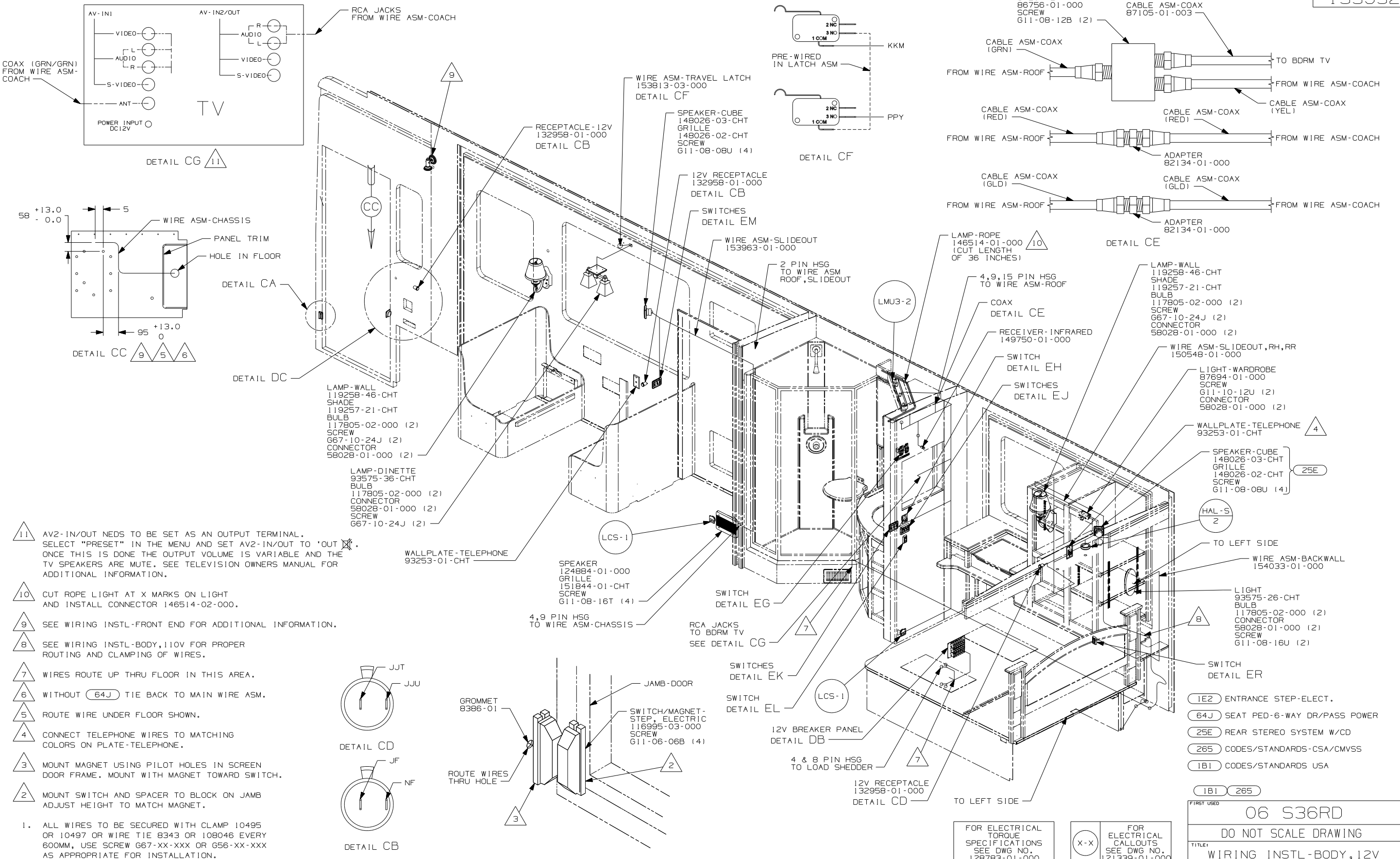


WIRING DIAGRAM-SIDEWALL (WIRE ASM 153530 REV-C)

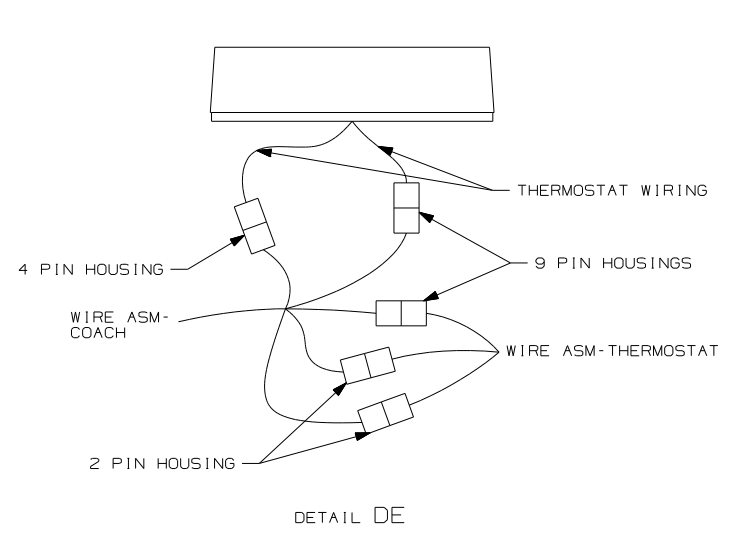
- 3 SEE WIRING DIAGRAM-AUTO FOR ADDITIONAL INFORMATION.
- 2 SEE MANUFACTURERS DIAGRAM FOR ADDITIONAL INFORMATION.
1. SPLICES ARE THEORETICAL AND MAY DIFFER IN THE HARNESS.

NOTES:

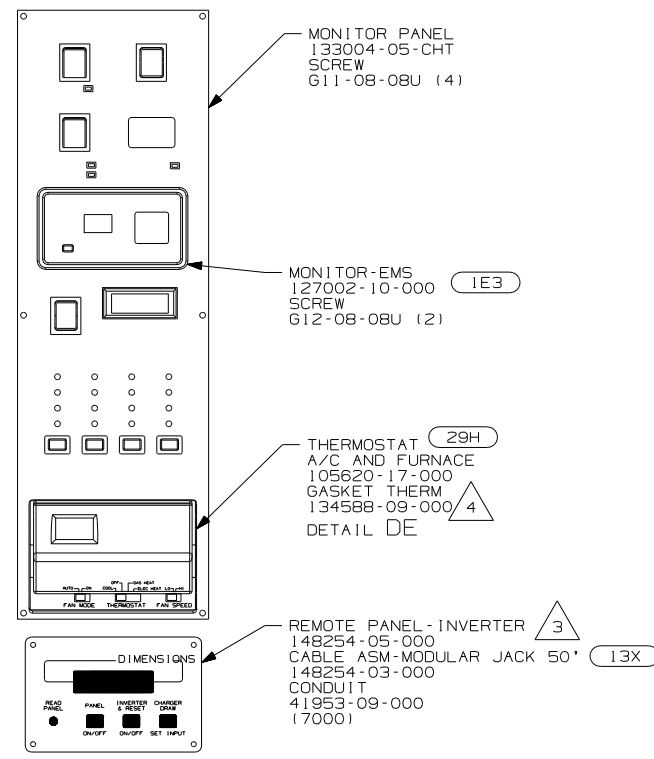
FIRST USED	06 S36RD
TITLE	DO NOT SCALE DRAWING
TITLE	WIRING DIAGRAM-BODY, 12V
SHEET 8	PART NO 153937



- 11 AV2-IN/OUT NEEDS TO BE SET AS AN OUTPUT TERMINAL. SELECT "PRESET" IN THE MENU AND SET AV2-IN/OUT TO "OUT". ONCE THIS IS DONE THE OUTPUT VOLUME IS VARIABLE AND THE TV SPEAKERS ARE MUTE. SEE TELEVISION OWNERS MANUAL FOR ADDITIONAL INFORMATION.
- 10 CUT ROPE LIGHT AT X MARKS ON LIGHT AND INSTALL CONNECTOR 146514-02-000.
- 9 SEE WIRING INSTL-FRONT END FOR ADDITIONAL INFORMATION.
- 8 SEE WIRING INSTL-BODY, 110V FOR PROPER ROUTING AND CLAMPING OF WIRES.
- 7 WIRES ROUTE UP THRU FLOOR IN THIS AREA.
- 6 WITHOUT (64J) TIE BACK TO MAIN WIRE ASM.
- 5 ROUTE WIRE UNDER FLOOR SHOWN.
- 4 CONNECT TELEPHONE WIRES TO MATCHING COLORS ON PLATE-TELEPHONE.
- 3 MOUNT MAGNET USING PILOT HOLES IN SCREEN DOOR FRAME. MOUNT WITH MAGNET TOWARD SWITCH.
- 2 MOUNT SWITCH AND SPACER TO BLOCK ON JAMB ADJUST HEIGHT TO MATCH MAGNET.
1. ALL WIRES TO BE SECURED WITH CLAMP 10495 OR 10497 OR WIRE TIE 8343 OR 108046 EVERY 600MM, USE SCREW G67-XX-XXX OR G56-XX-XXX AS APPROPRIATE FOR INSTALLATION.



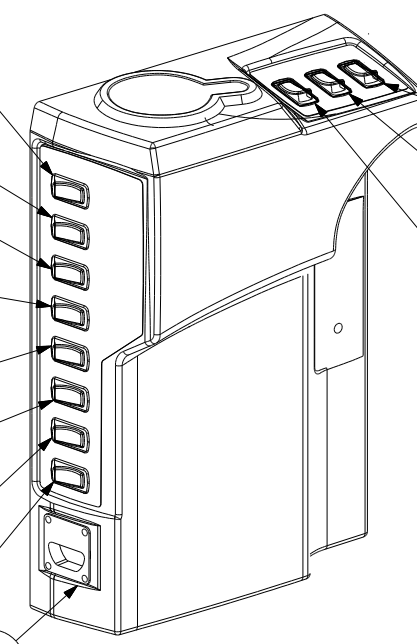
DETAIL DE



DETAIL DA

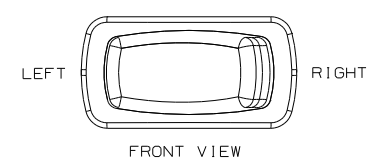
4 INSTALLATION GASKET ON BACK SIDE OF THERMOSTAT, MAKING SURE THAT THE GASKET COVERS AND SEALS THE HOLE THAT THE WIRES PASS THROUGH.

- 1 SWITCH-LOUNGE LAMP 145638-10-CHT (CONNECTS HOUSING WITH CIRCUITS FFW,PL,FFX)
- 2 SWITCH-PORCH 145638-01-CHT (CONNECTS HOUSING WITH CIRCUITS NM,PJ)
- 1 SWITCH-DOOR LOCKS 145638-09-CHT (CONNECTS HOUSING WITH CIRCUITS PX,MK,PY)
- 1 SWITCH-COMPARTMENT DOOR LOCKS 145638-09-CHT (CONNECTS HOUSING WITH CIRCUITS DDZ,MK,EEA)
- 1 SWITCH-AWNING SELECTOR 145638-07-CHT (CONNECTS HOUSING WITH CIRCUITS FFP,FFV,FFU,FFL)
- 1 SWITCH-AWNING CONTROL 145638-09-CHT (CONNECTS HOUSING WITH CIRCUITS FFM,FFU,FFK,FFR,FFV,FFN)
- 2 SWITCH-STEP 145638-01-CHT (CONNECTS HOUSING WITH CIRCUITS ER,ES)
- 1 SWITCH-BATTERY DISCONNECT 145638-09-CHT (CONNECTS HOUSING WITH CIRCUITS KF,LH,LJ,LJ,LG,KF)

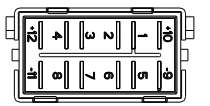


DETAIL DC

2 FOR SWITCH ORIENTATION, SEE DETAIL DG.
 1 FOR SWITCH ORIENTATION, SEE DETAIL DF.
 3 CONNECT CIRCUIT WB FROM COACH WIRING TO RED WIRE ON REMOTE PANEL.

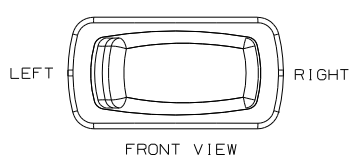


FRONT VIEW

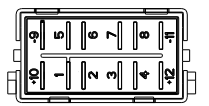


REAR VIEW

DETAIL DG (MOUNTED HORIZONTALLY)

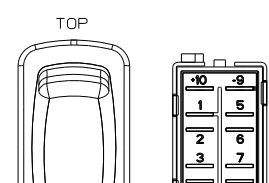


FRONT VIEW



REAR VIEW

(MOUNTED HORIZONTALLY)



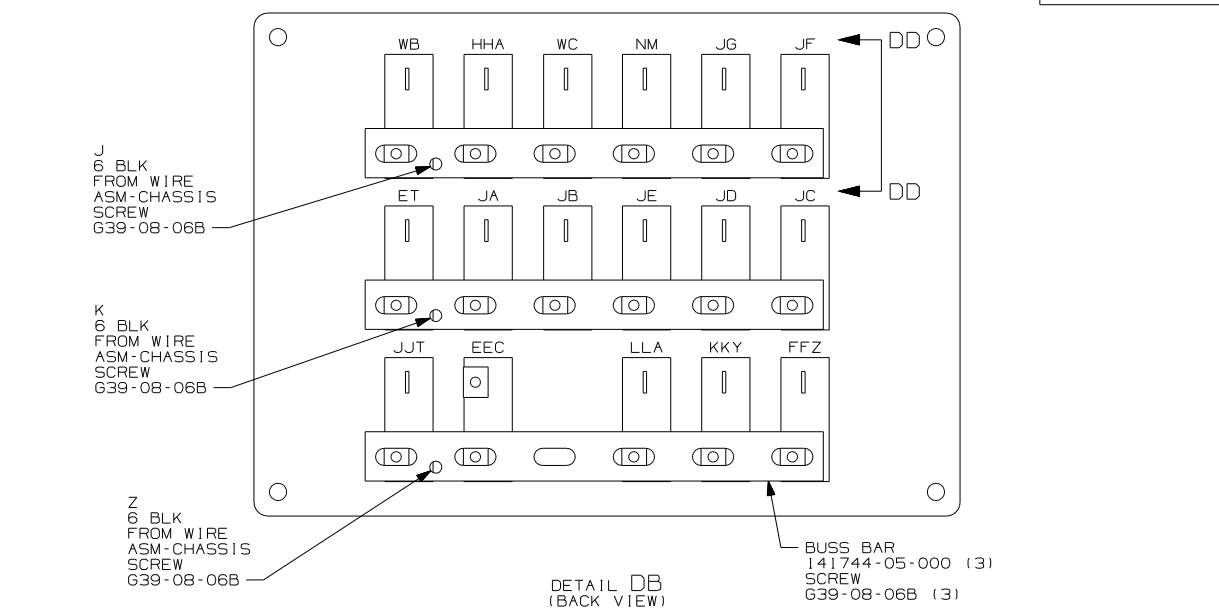
TOP

FRONT VIEW

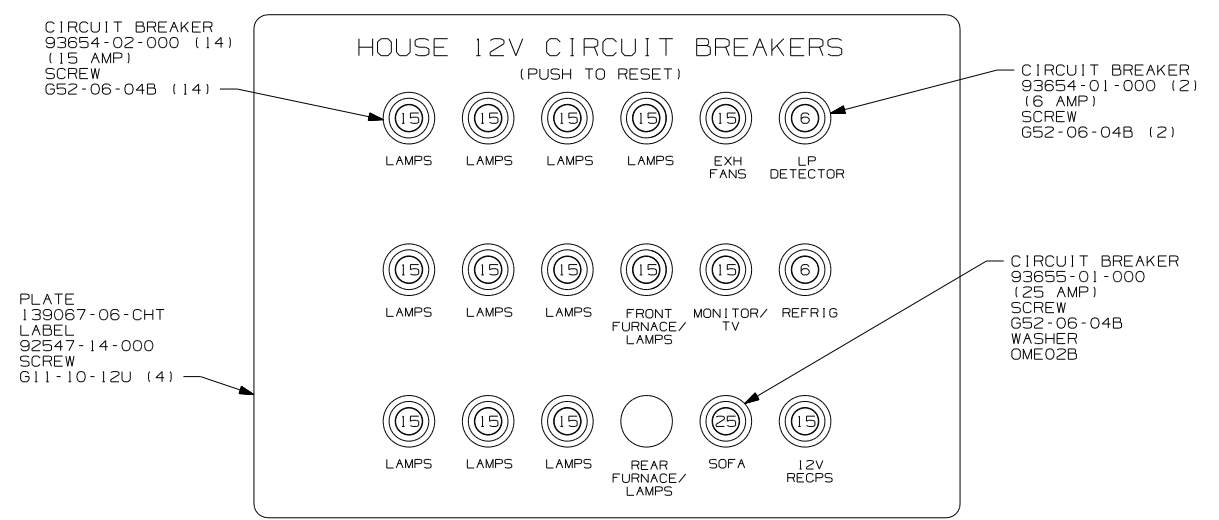
REAR VIEW

(MOUNTED VERTICALLY)

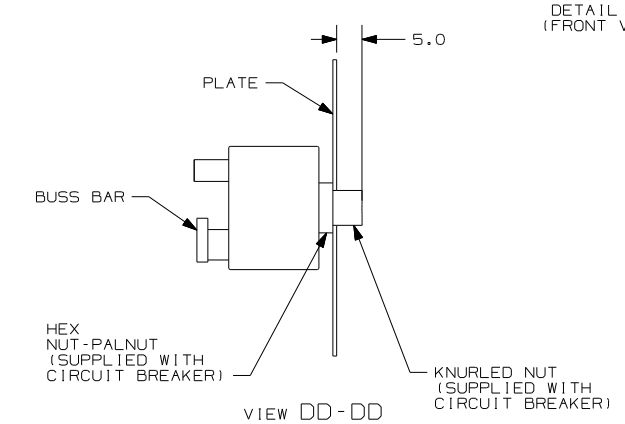
DETAIL DF



DETAIL DB (BACK VIEW)



DETAIL DB (FRONT VIEW)



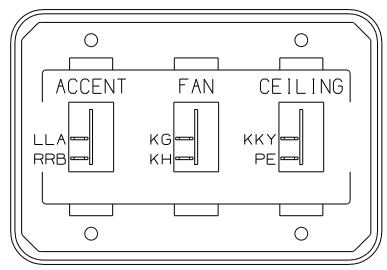
VIEW DD-DD

FOR ELECTRICAL TORQUE SPECIFICATIONS SEE DWG NO. 128783-01-000

FOR ELECTRICAL CALLOUTS SEE DWG NO. 121339-01-000

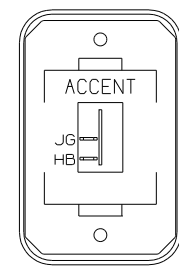
- 29H A/C CENTRAL_HEAT PUMP
- 13X INVERTER/CHARGER 2.0 KW
- 1E3 ENERGY MANAGEMENT SYSTEM
- 265 CODES/STANDARDS-CSA/CMVSS
- 1B1 CODES/STANDARDS USA

FIRST USED	06 S36RD
TITLE	DO NOT SCALE DRAWING
	WIRING INSTL-BODY, 12V
SHEET 4	PART NO 153932 REV



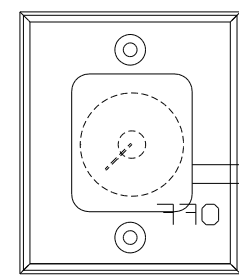
SWITCH-ROCKER
135740-01-CHT (3)
SWITCH-BASE
135741-03-CHT
SWITCH-BEZEL
135742-48-CHT
SCREW
G11-08-08U (4)

DETAIL EA



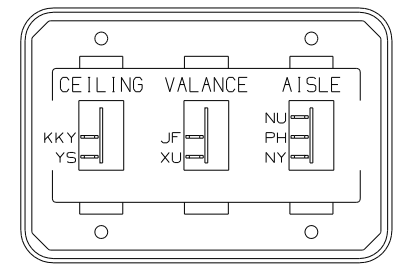
SWITCH-ROCKER
135740-01-CHT
SWITCH-BASE
135741-01-CHT
SWITCH-BEZEL
135742-50-CHT
SCREW
G11-08-08U (2)

DETAIL EE (39B)



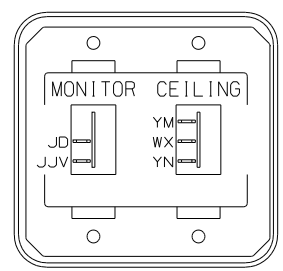
SWITCH
137889-01-000
SCREW
G11-06-10U (2)

DETAIL EH



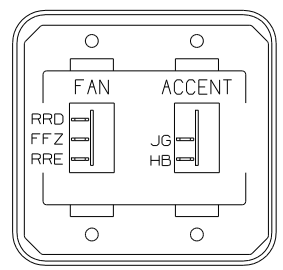
SWITCH-ROCKER
135740-01-CHT (2)
SWITCH-BASE
135741-03-CHT
SWITCH-BEZEL
135742-22-CHT
SCREW
G11-08-08U (4)

DETAIL EM



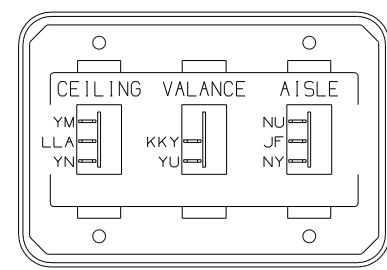
SWITCH-ROCKER
135740-01-CHT
135740-02-CHT
SWITCH-BASE
135741-02-CHT
SWITCH-BEZEL
135742-31-CHT
SCREW
G11-08-08U (4)

DETAIL EB



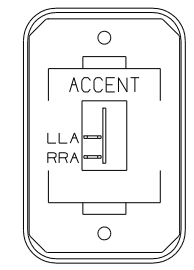
SWITCH-ROCKER
135740-01-CHT
135740-04-CHT
SWITCH-BASE
135741-02-CHT
SWITCH-BEZEL
135742-49-CHT
SCREW
G11-08-08U (4)
WIRE ASM-RESISTOR,FAN
140195-01-000

DETAIL EE (39Y)



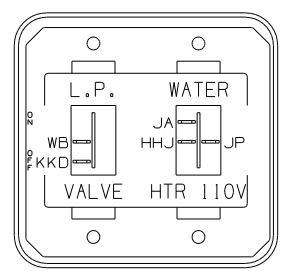
SWITCH-ROCKER
135740-01-CHT
135740-02-CHT (2)
SWITCH-BASE
135741-03-CHT
SWITCH-BEZEL
135742-22-CHT
SCREW
G11-08-08U (4)

DETAIL EJ



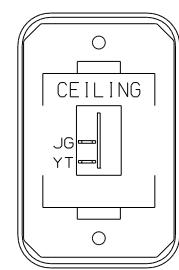
SWITCH-ROCKER
135740-01-CHT
SWITCH-BASE
135741-01-CHT
SWITCH-BEZEL
135742-50-CHT
SCREW
G11-08-08U (2)

DETAIL EN



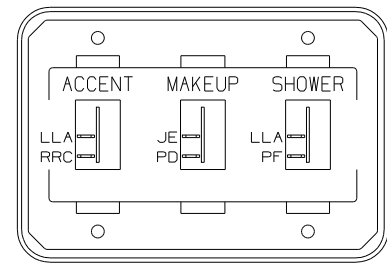
SWITCH-ROCKER
135740-01-CHT
135740-06-CHT
SWITCH-BASE
135741-02-CHT
SWITCH-BEZEL
135742-34-CHT
SCREW
G11-08-08U (4)

DETAIL EC



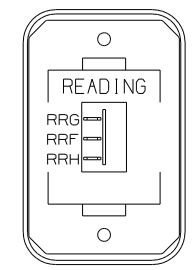
SWITCH-ROCKER
135740-01-CHT
SWITCH-BASE
135741-01-CHT
SWITCH-BEZEL
135742-07-CHT
SCREW
G11-08-08U (2)

DETAIL EF



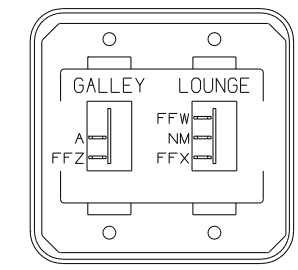
SWITCH-ROCKER
135740-01-CHT (3)
SWITCH-BASE
135741-03-CHT
SWITCH-BEZEL
135742-47-CHT
SCREW
G11-08-08U (4)

DETAIL EK



SWITCH-ROCKER
135740-02-CHT
SWITCH-BASE
135741-01-CHT
SWITCH-BEZEL
135742-51-CHT
SCREW
G11-08-08U (2)

DETAIL EP



SWITCH-ROCKER
135740-01-CHT
135740-02-CHT
SWITCH-BASE
135741-02-CHT
SWITCH-BEZEL
135742-18-CHT
SCREW
G11-08-08U (4)

DETAIL ED

PLATE-SWITCH
144363-09-000
SWITCH
108357-06-CHT
ACTUATOR
108356-02-CHT
NUT
D65-08-00B (2)
LABEL
116220-01-000
DDA,CCY,DDA,BBM,CCZ,BBN

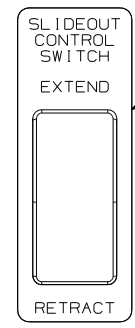
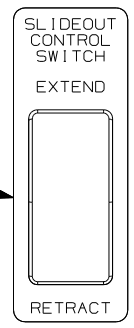
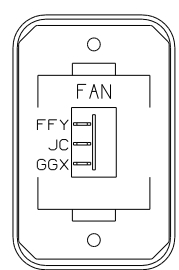


PLATE-SWITCH
144363-09-000
SWITCH
108357-06-CHT
ACTUATOR
108356-02-CHT
NUT
D65-08-00B (2)
LABEL
116220-01-000
DDA,CCY,DDA,BBM,CCZ,BBN

WARNING UNDERSTAND OPERATOR'S MANUAL BEFORE USING
KEEP PEOPLE AND OBSTRUCTIONS CLEAR OF
SLIDEOUT ROOM WHEN OPERATING TO AVOID
INJURY AND/OR PROPERTY DAMAGE

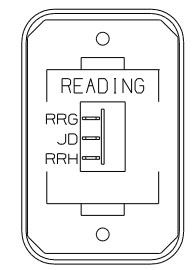
LABEL-WARNING
116549-01-000

DETAIL EG



SWITCH-ROCKER
135740-04-CHT
SWITCH-BASE
135741-01-CHT
SWITCH-BEZEL
135742-12-CHT
SCREW
G11-08-08U (2)
WIRE ASM-RESISTOR,FAN
140195-01-000

DETAIL EL (41Y)



SWITCH-ROCKER
135740-02-CHT
SWITCH-BASE
135741-01-CHT
SWITCH-BEZEL
135742-51-CHT
SCREW
G11-08-08U (2)

DETAIL ER

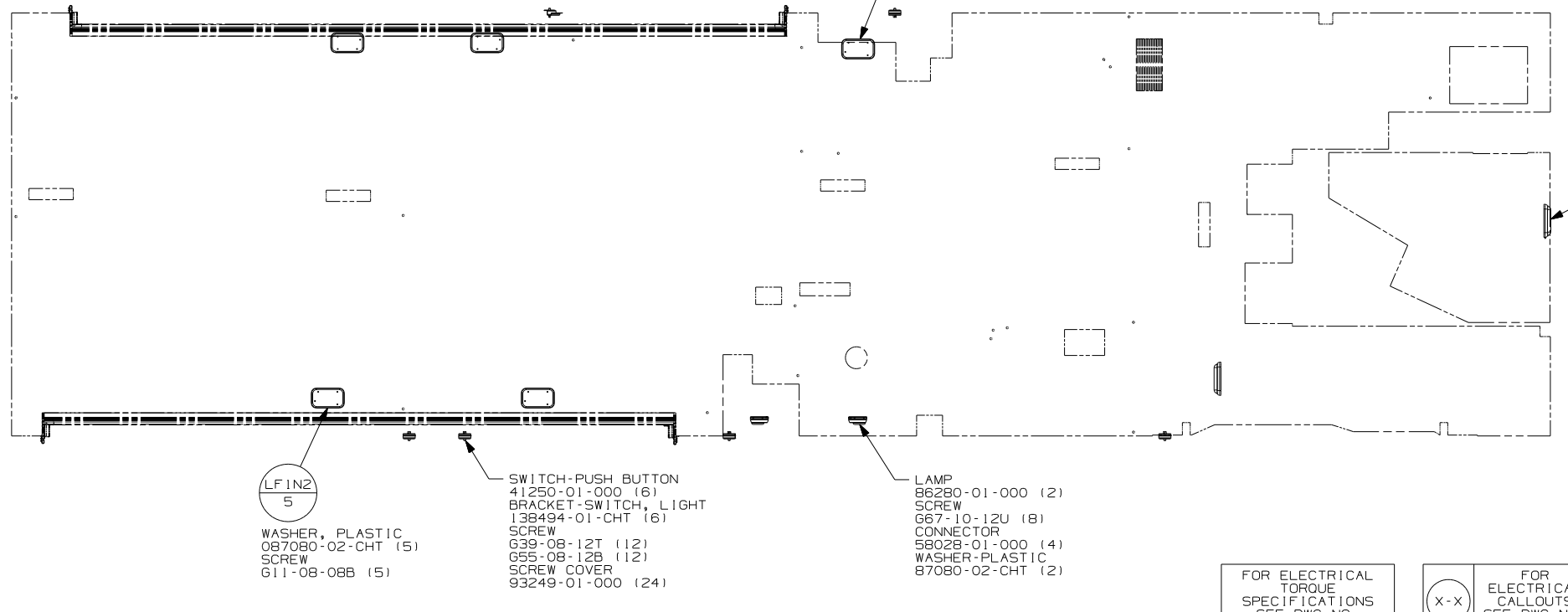
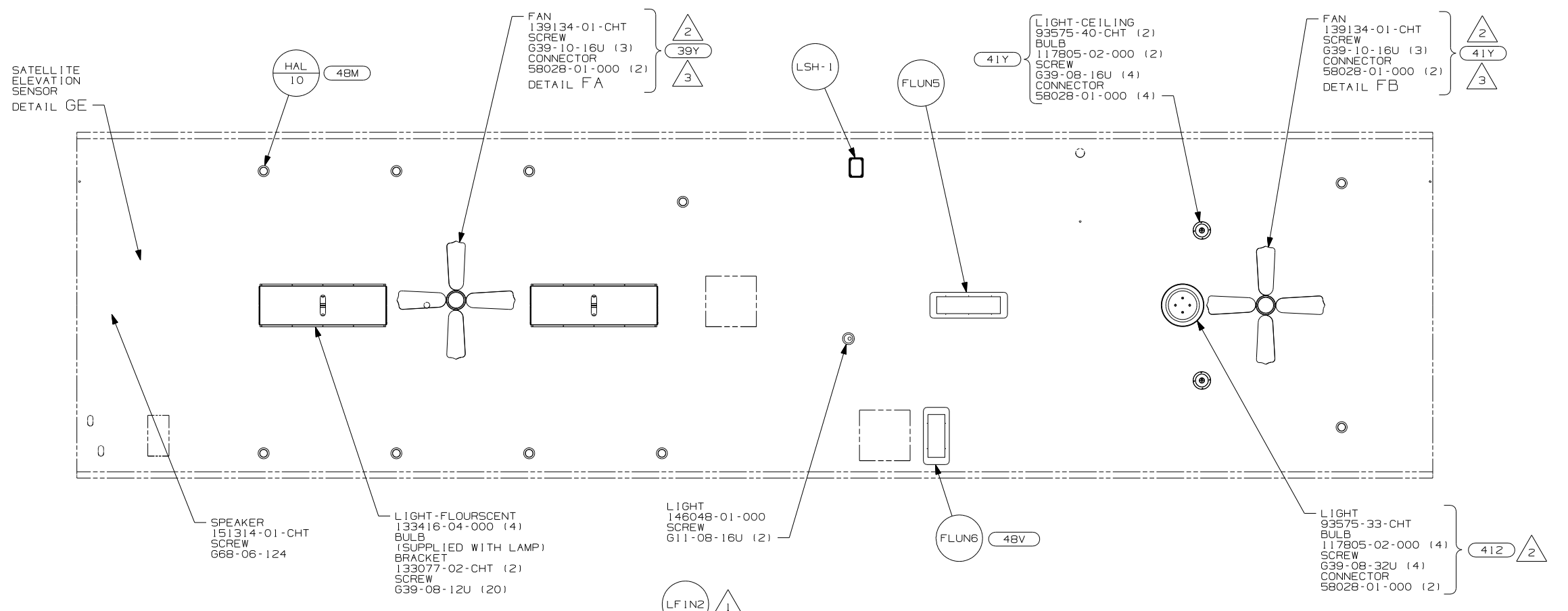
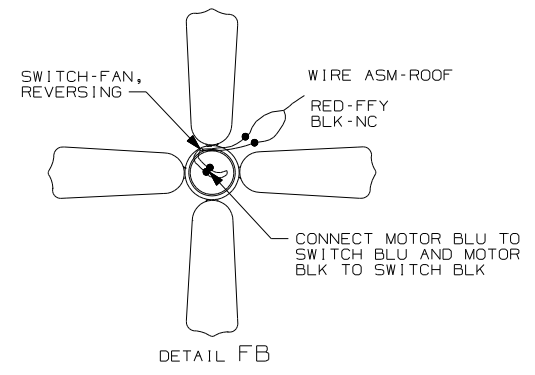
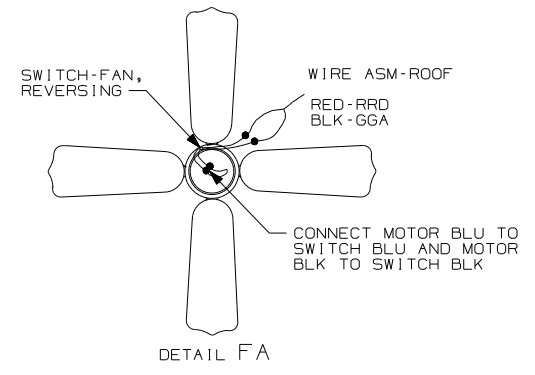
- (39B) FAN-CEILING-WITHOUT
- (41Y) FAN - CEILING_BEDROOM
- (39Y) FAN - CEILING LOUNGE
- (265) CODES/STANDARDS-CSA/CMVSS
- (1B1) CODES/STANDARDS USA

(1B1) (265)

FOR ELECTRICAL
TORQUE
SPECIFICATIONS
SEE DWG NO.
128783-01-000

(X-X)
FOR
ELECTRICAL
CALLOUTS
SEE DWG NO.
121339-01-000

FIRST USED	06 S36RD	
TITLE:	DO NOT SCALE DRAWING	
	WIRING INSTL-BODY,12V	
SHEET 5	PART NO	153932
	REV	



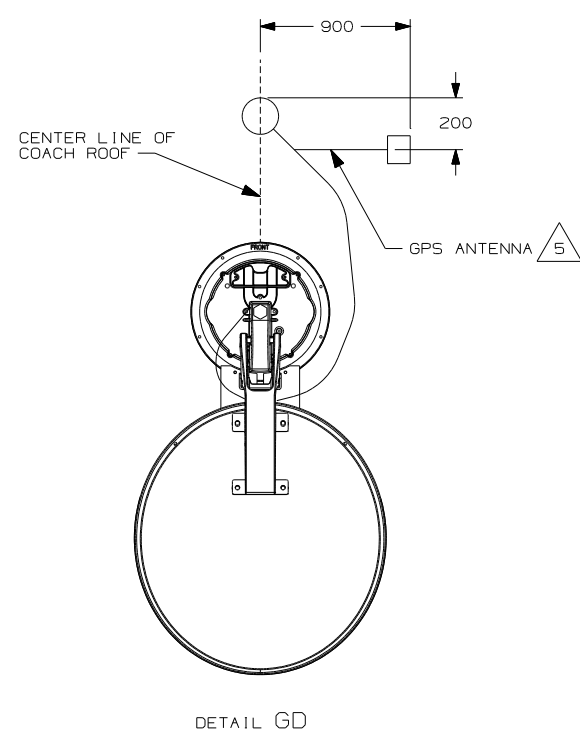
- 39Y FAN - CEILING LOUNGE
- 41Y FAN-CEILING
- 412 DECORATIVE LIGHT-CEILING
- 48M LIGHTS-INCANDESCENT
- 48V LIGHTS-FLUORESCENT
- 265 CODES/STANDARDS-CSA/CMVSS
- 1B1 CODES/STANDARDS USA

- NOTES:
- 3 APPLY LOCTITE P/N 62917-06-000 TO FAN BLADE MOUNTING NUT THREADS.
 - 2 CENTER FAN OVER 25MM HOLE IN ROOF.
 - 1 LIGHT MOUNTED BELOW CLOSEOUT PANEL.

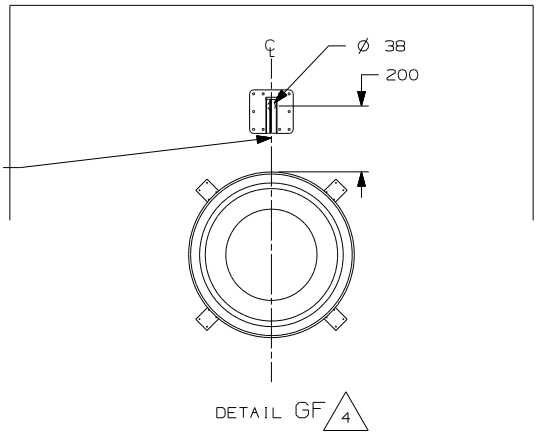
FOR ELECTRICAL TORQUE SPECIFICATIONS SEE DWG NO. 128783-01-000

FOR ELECTRICAL CALLOUTS SEE DWG NO. 121339-01-000

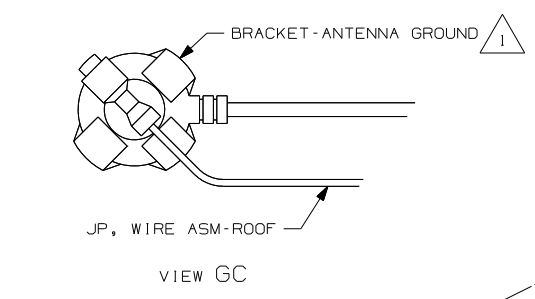
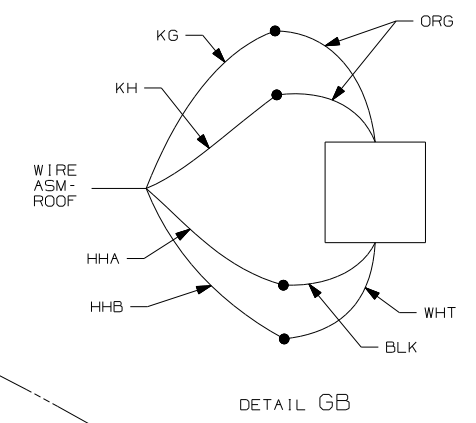
FIRST USED	06 S36RD	
TITLE:	DO NOT SCALE DRAWING	
	WIRING INSTL-BODY, 12V	
SHEET 6	PART NO	153932
	REV	



THE COAX CONNECTION IS TO BE PLACED ON THE CENTERLINE OF THE MOTORHOME FACING FORWARD



- 48R DI-1
DETAIL GF
- 78K DA-1
DETAIL GD
- 480 DM-1
DETAIL GE

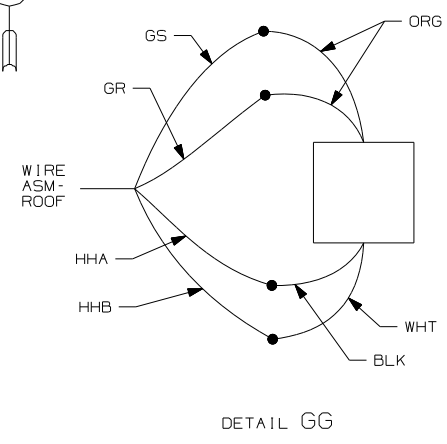
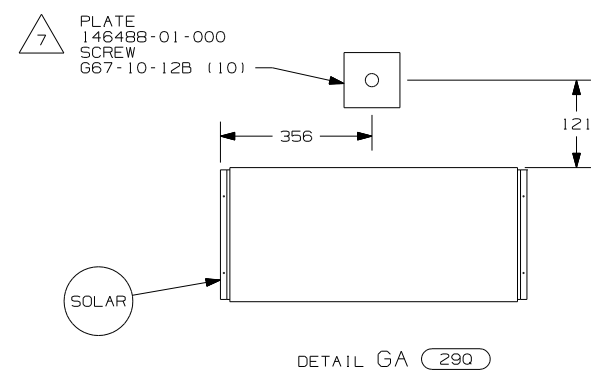
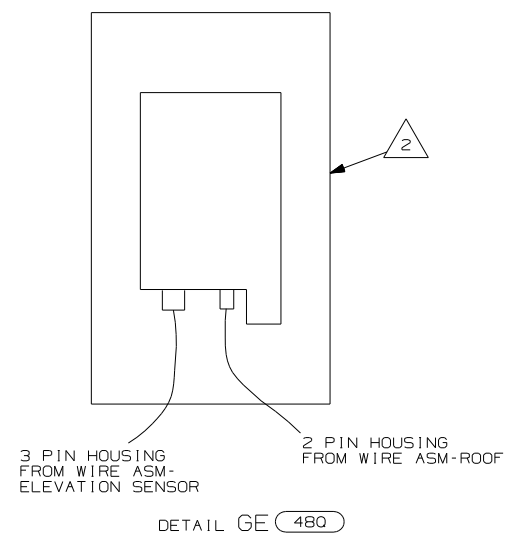
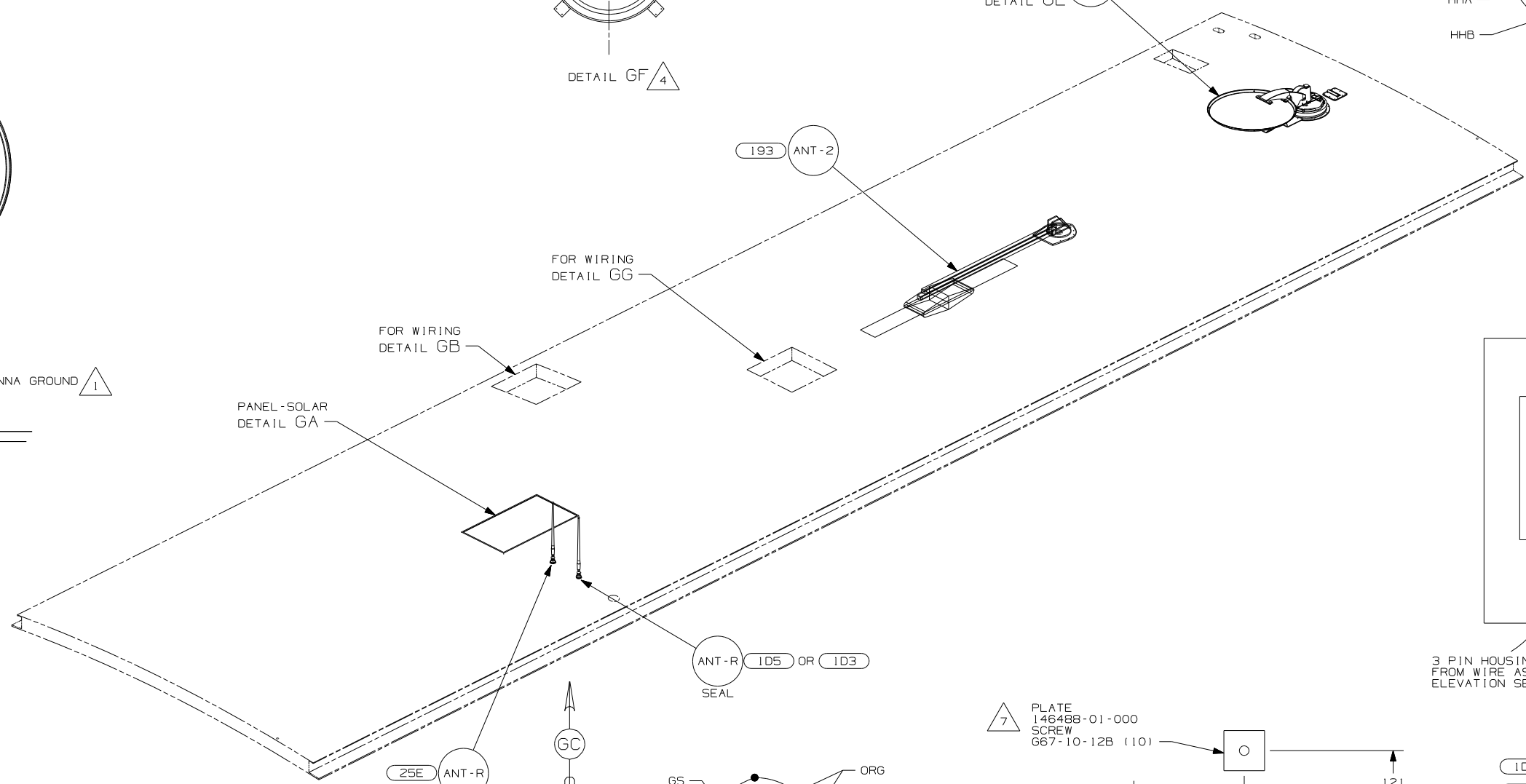


PANEL-SOLAR
DETAIL GA

FOR WIRING
DETAIL GG

FOR WIRING
DETAIL GB

193 ANT-2



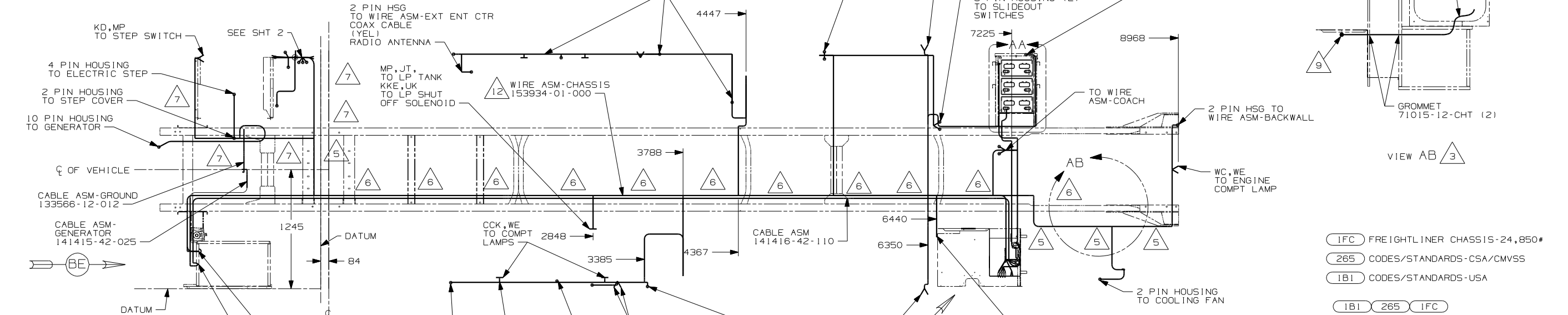
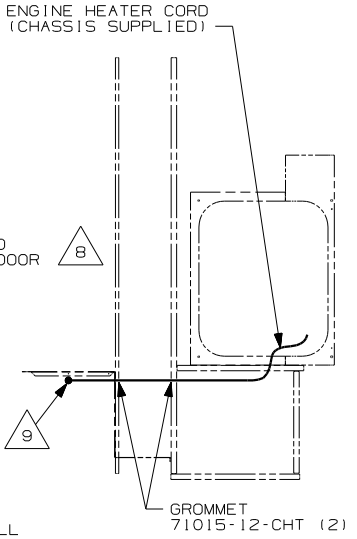
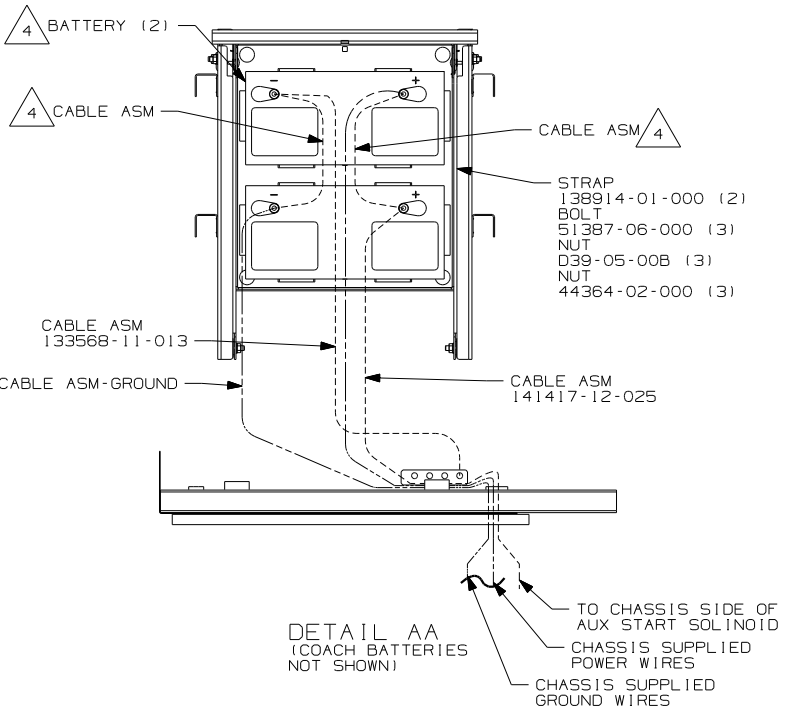
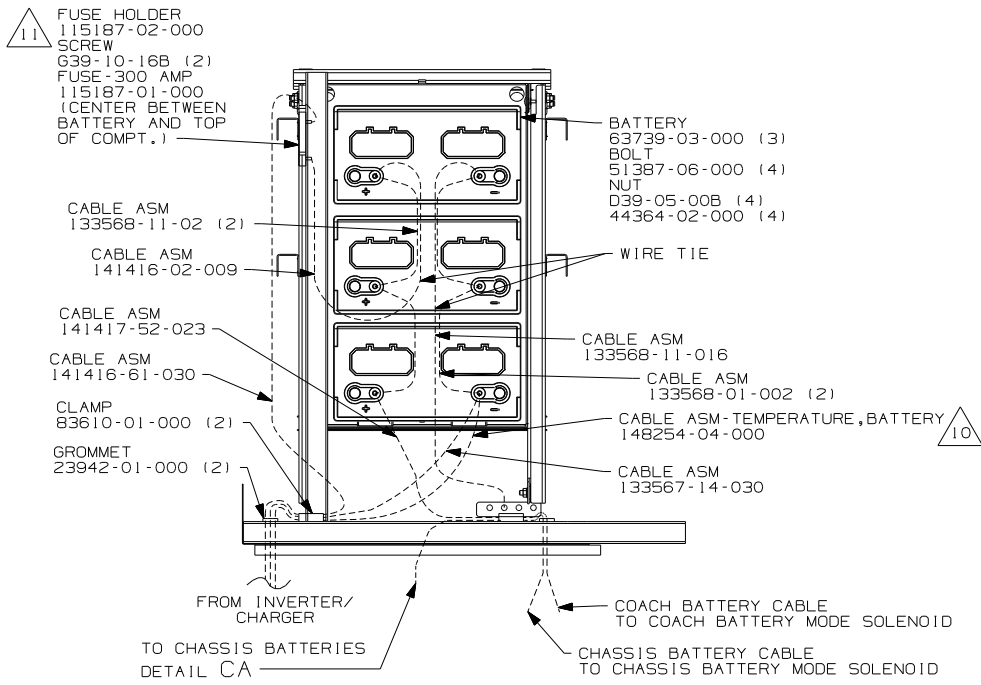
- NOTES:
- 6 CUT AND REMOVE SHIPPING STRAPS.
 - 5 MOUNT GPS ANTENNA TO THE RIGHT OF THE SATELLITE AS SHOWN. SECURE CABLE WITH ROOF SEALANT.
 - 4 REMOVE ALL SHIPPING RESTRAINTS AND FIRMLY INSERT THE SUPPLIED PLUGS INTO THE APPROPRIATE SIZED HOLES AS SPECIFIED IN THE INSTALLATION PROCESS.
 - 3 SEE MANUFACTURER'S INSTALLATION FOR ADDITIONAL INFORMATION.
 - 2 SENSOR SUPPLIED WITH SATELLITE ASSEMBLY.
 - 1 WRAP BRACKET LEGS AROUND ANTENNA BASE.

FOR ELECTRICAL TORQUE SPECIFICATIONS SEE DWG NO. 128783-01-000

FOR ELECTRICAL CALLOUTS SEE DWG NO. 121339-01-000

- 1D3 ENTERTAIN CENTR/EXT TV-DVD
- 48R SAT SYS IN-MOTION W/O RCVR
- 480 SATELLITE DISH & ELEV. SENSOR
- 1D5 ENTERTAINMENT CTR/EXT W/CD
- 290 SOLAR PANEL-10 WATT
- 265 CODES/STANDARDS-CSA/CMVSS
- 1B1 CODES/STANDARDS USA

FIRST USED	06 S36RD
DO NOT SCALE DRAWING	
TITLE:	WIRING INSTL-BODY, 12V
SHEET 7	PART NO 153932 REV



1FC FREIGHTLINER CHASSIS-24,850#
 265 CODES/STANDARDS-CSA/CMVSS
 1B1 CODES/STANDARDS-USA

1B1 265 1FC

WINNEBAGO COPYRIGHT 2004 WINNEBAGO INDUSTRIES, INC.

DTR	ORIG. DATE
CHKR	ALL DIMENSIONS ARE IN MILLIMETERS
P.E.	FIRST USED
M.E.	06 S36RD
DSNR	

UNSPECIFIED TOLERANCES ARE:	MATERIAL:
HOLE DIM (X)	: 3
ONE-PLACE (X, X)	: 1.5
TWO-PLACE (X, XX)	: 0.50
ANGLE	: 1°
THIRD ANGLE PROJECTION	

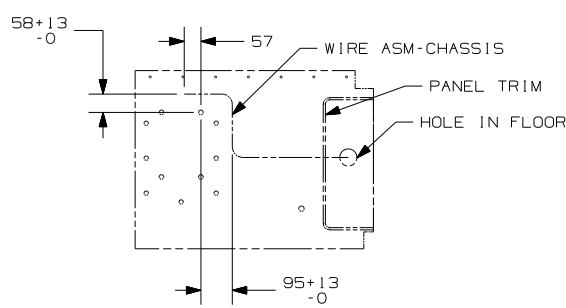
- 8 ROUTE AND CLAMP WIRE ASM ALONG UPPER TUBE IN BATTERY COMPT.
- 7 CLAMP 10497-03-000, SCREW G39-08-12B
- 6 CLAMP 83610-01-000, SCREW G39-08-12B
- 5 USE TIE-WIRE 8343-04-000 TO SECURE WIRES TO FLOOR SUPPORT FRAME AT LEAST ONCE EVERY 600MM.
- 4 SUPPLIED WITH CHASSIS
- 3 SECURE CORD AWAY FROM ALL MOVING PARTS AND EXHAUST WITH TIE-WIRE 93147-01-000 AS REQUIRED.
- 2 SEE WIRING INSTL-FRONT END FOR ADDITIONAL INFORMATION.

- 12 ROUTE WIRES IN FRAME RAIL WHEN APPLICABLE.
- 11 MOUNT FUSE HOLDER HORIZONTALLY 20MM DOWN FROM FLOOR TUBE.
- 10 CONNECT RING TERMINAL OF CABLE ASM-TEMP, BATTERY TO NEGATIVE POST AS SHOWN AND ROUTE CABLE WITH NEGATIVE BATTERY CABLE TO INVERTER.
- 9 ENGINE HEATER CORD MUST PASS THRU COMPT AT LEAST 250MM TO PLUG INTO RECP.

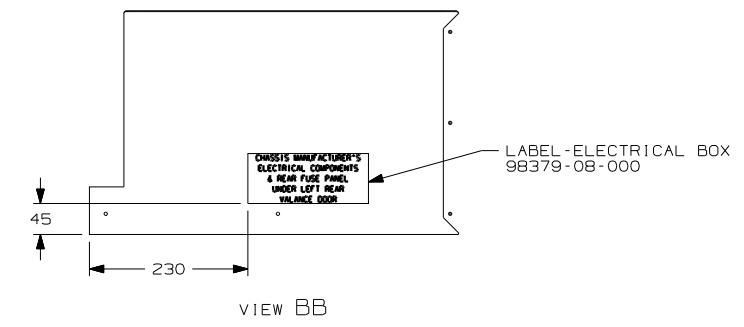
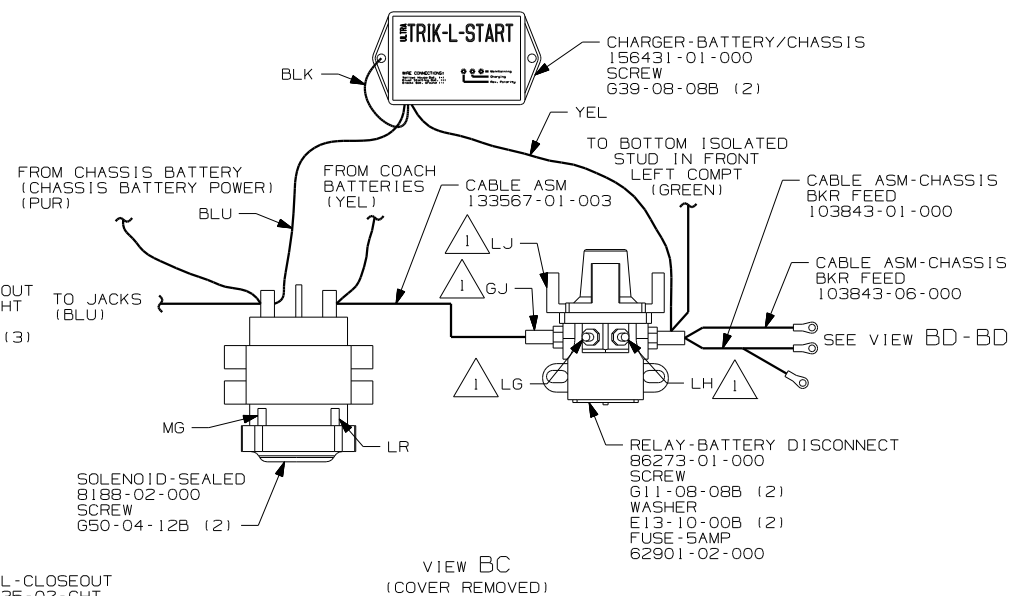
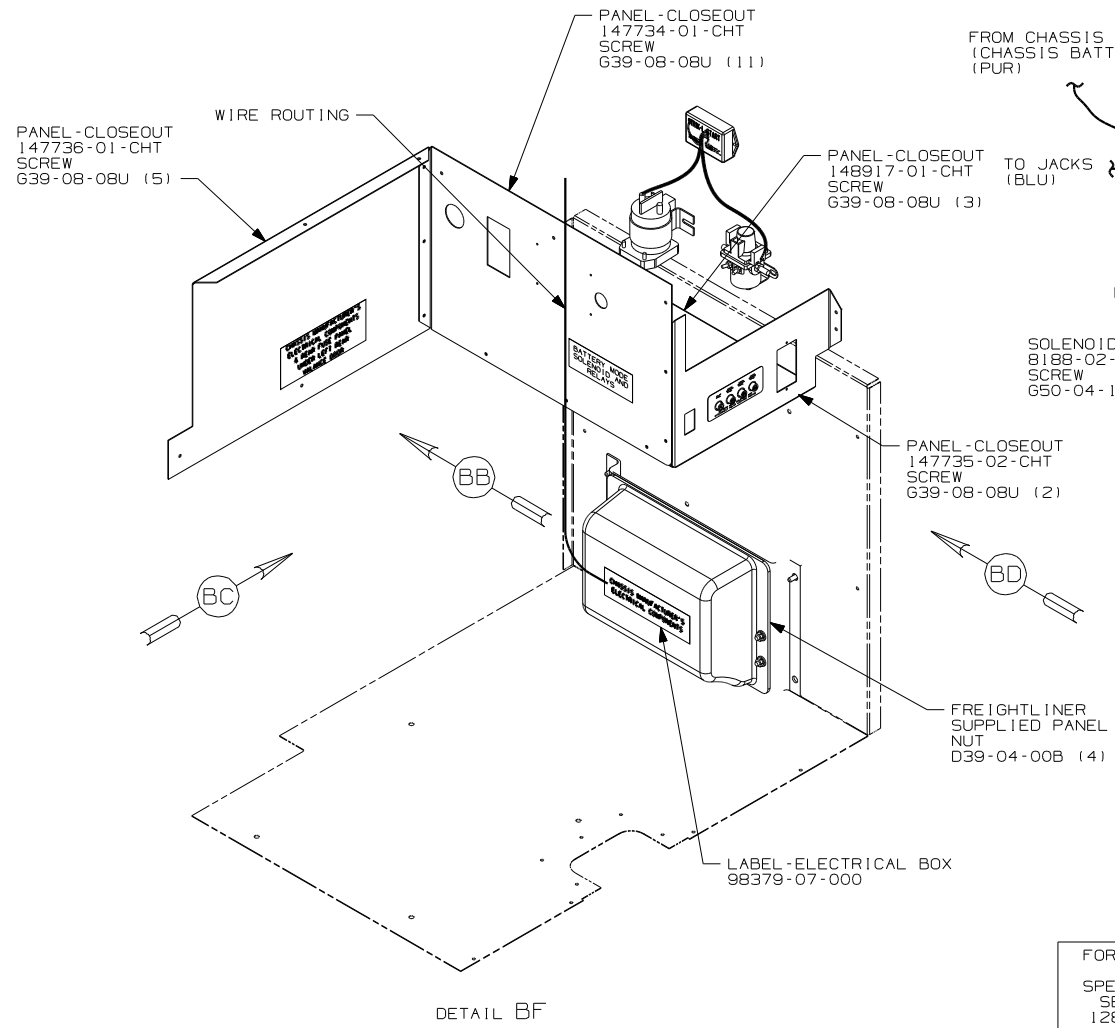
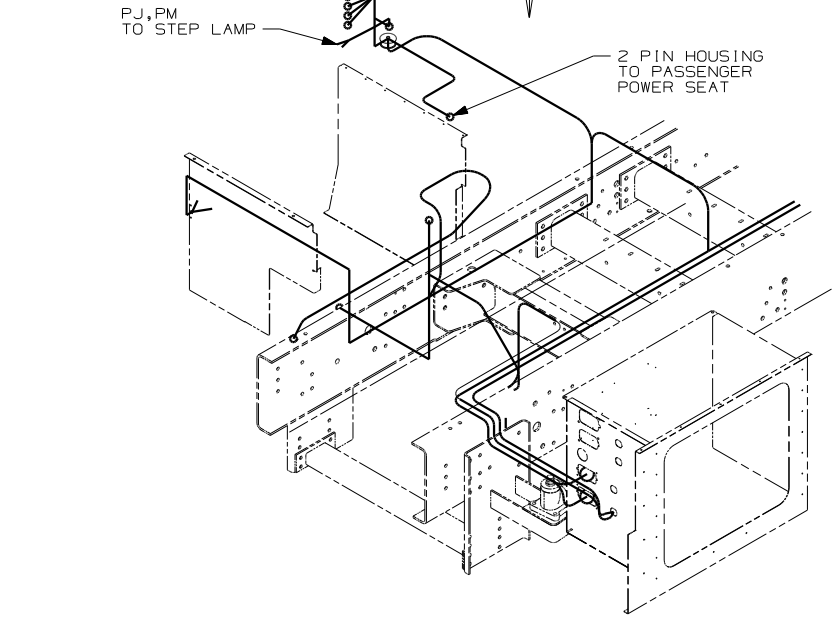
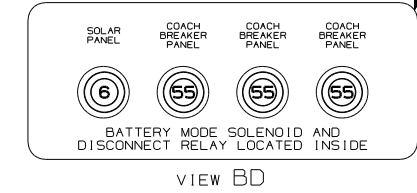
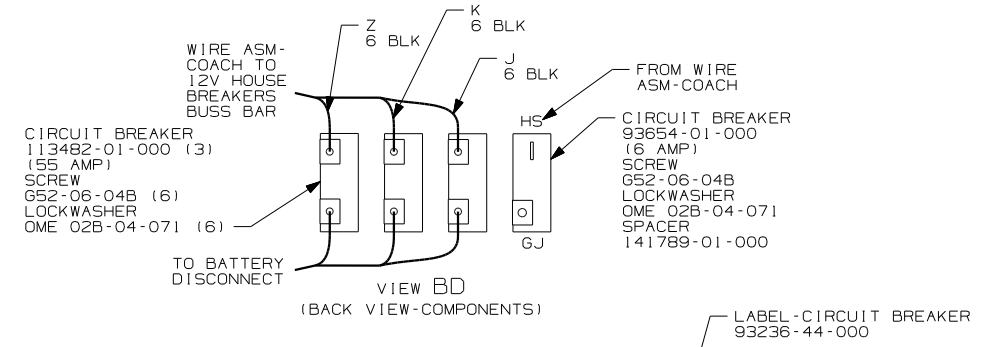
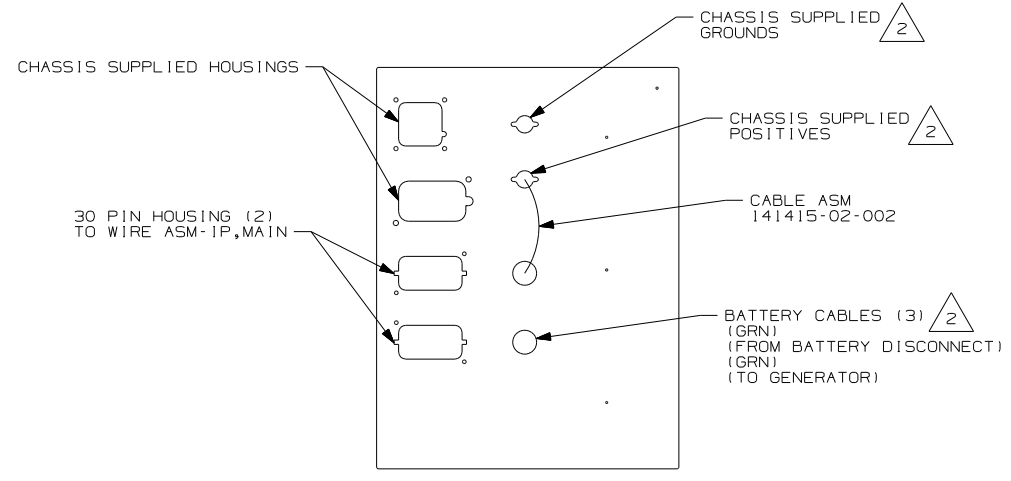
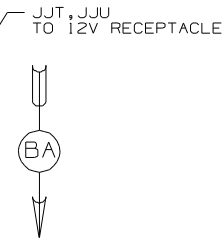
1. LEGEND: _____ WINNEBAGO; - - - - - CABLE; - - - - - CHASSIS SUPPLIED WIRING.

FOR ELECTRICAL TORQUE SPECIFICATIONS SEE DWG NO. 128783-01-000

FOR ELECTRICAL CALLOUTS SEE DWG NO. 121339-01-000



- 12 PIN HOUSING (11)
- TO AWNING SELECTOR SWITCH
- TO AWNING CONTROL SWITCH
- TO STEP SWITCH
- TO BATTERY DISCONNECT SWITCH
- TO COMPT DOOR LOCK SWITCH
- TO DOOR LOCK SWITCH
- TO PORCH LAMP SWITCH
- TO LOUNGE CEILING LAMP SWITCH
- TO STEP COVER SWITCH
- TO PASSENGER SUNVISOR SWITCH
- 3 & 9 PIN HOUSING
- TO WIRE ASM-SIDEWALL



- NOTES:
- 2 SEE WIRING INSTL-FRONT END FOR ADDITIONAL INFORMATION.
 - 1 CIRCUITS BRANCH FROM WIRE ASM-CHASSIS.

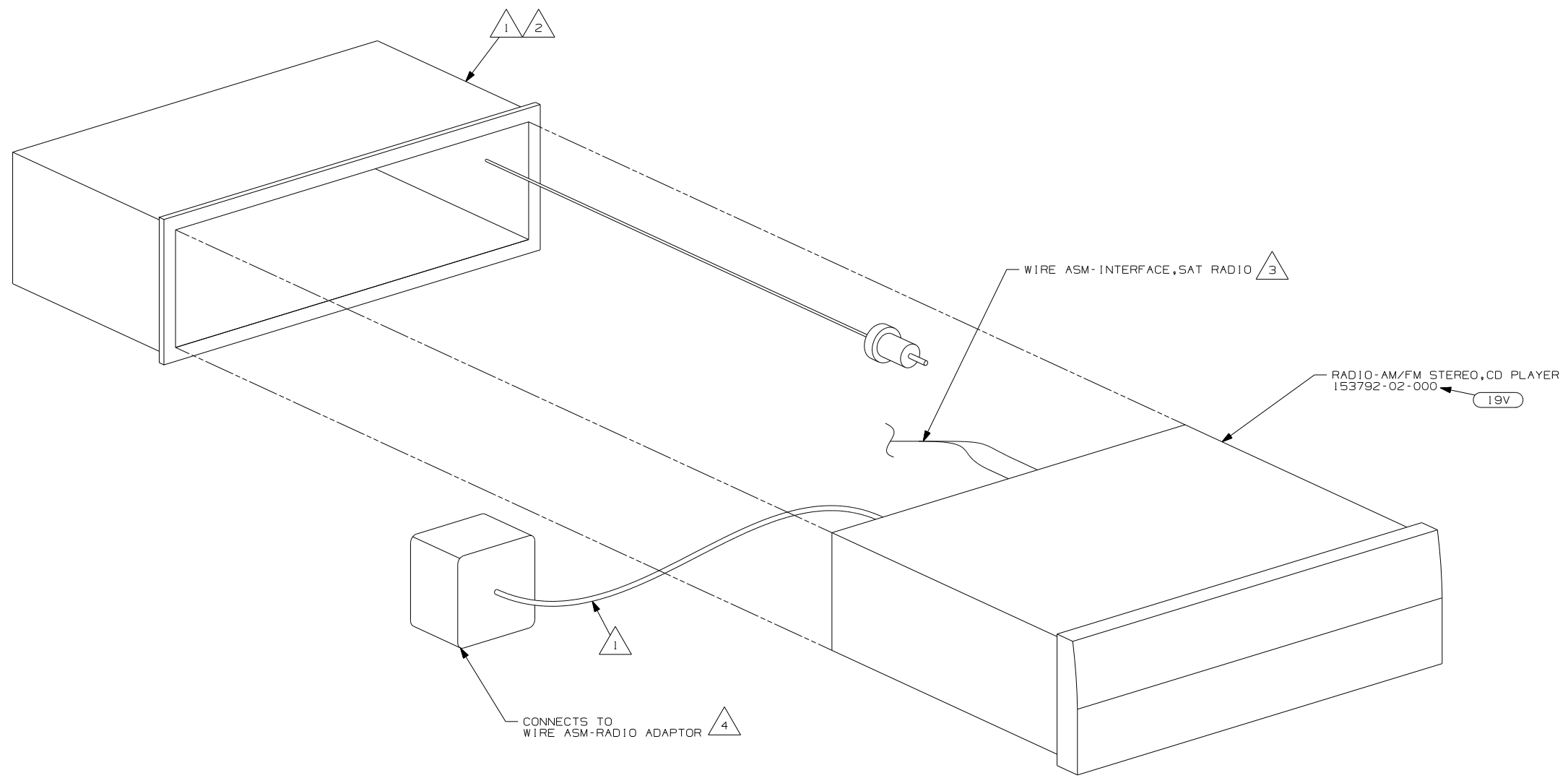
FOR ELECTRICAL TORQUE SPECIFICATIONS SEE DWG NO. 128783-01-000

FOR ELECTRICAL CALLOUTS SEE DWG NO. 121339-01-000

FIRST USED	06 S36RD
TITLE	DO NOT SCALE DRAWING
	WIRING INSTL-CHASSIS
SHEET 2	PART NO 153931
	REV 12/12/2005

DRAWING NO.	SHEET	SERIES
151750-01	1	500
151750-02	2	300
151750-03	3	400
151750-04	4	700
151750-05	5	D
151750-06	6	F
151750-07	7	G
151750-08	8	P
151750-09	9	R&S
151750-10	10	3295B, 331SC, 331ST

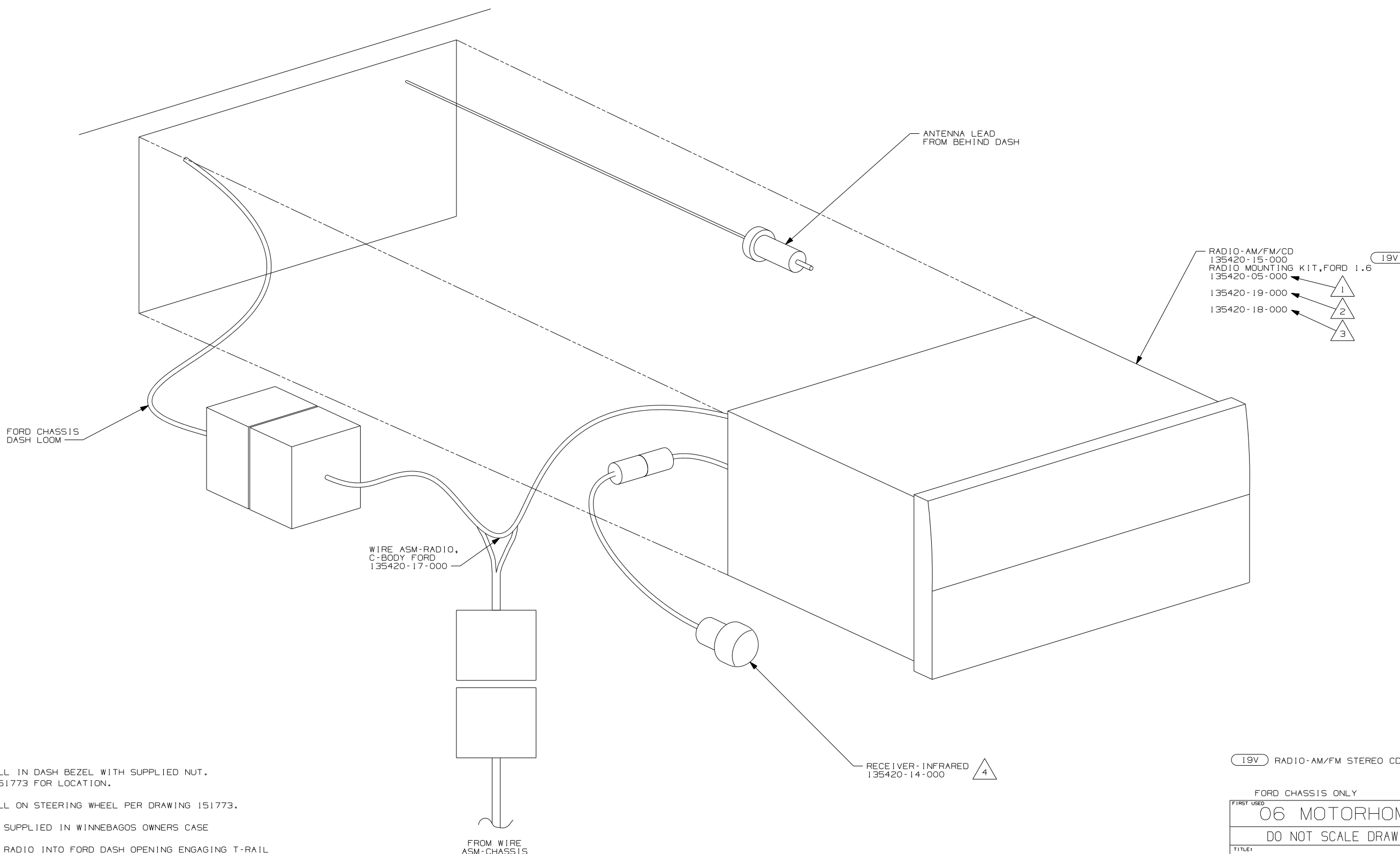
RELEASE	REV DATE	ORIG NO	151750
REV ZONE	REVISION RECORD	DATE	DFTR-ORIG



- NOTES:
- △ 4 SEE WIRING INSTL-CHASSIS FOR ADDITIONAL INFORMATION.
 - △ 3 TO SATELLITE RECEIVER. SEE ANTENNA INSTL-RADIO & CB FOR ADDITIONAL INFORMATION.
 - △ 2 BEND TABS ON ALL 4 SIDES TO SECURE MOUNTING BRACKET TO DASH OPENING.
 - △ 1 SUPPLIED WITH RADIO

19V RADIO-AM/FM STEREO CD PLAYER

WINNEBAGO		COPYRIGHT 2004 WINNEBAGO INDUSTRIES, INC.	
DFTR	ORIG. DATE	ALL DIMENSIONS ARE IN MILLIMETERS	
CHKR		FIRST USED	
P.E.		06 MOTORHOMES	
M.E.		UNSPECIFIED TOLERANCES ARE:	
DSNR		MATERIAL:	
		WHOLE DIM (X)	:
		ONE-PLACE (X.X)	:
		TWO-PLACE (X.XX)	:
		ANGLE	:
THIRD ANGLE PROJECTION			
DO NOT SCALE DRAWING			
TITLE: RADIO INSTL			
SHEET 1 OF 10		PART NO 151750	
REF:		1 9/9/2005	

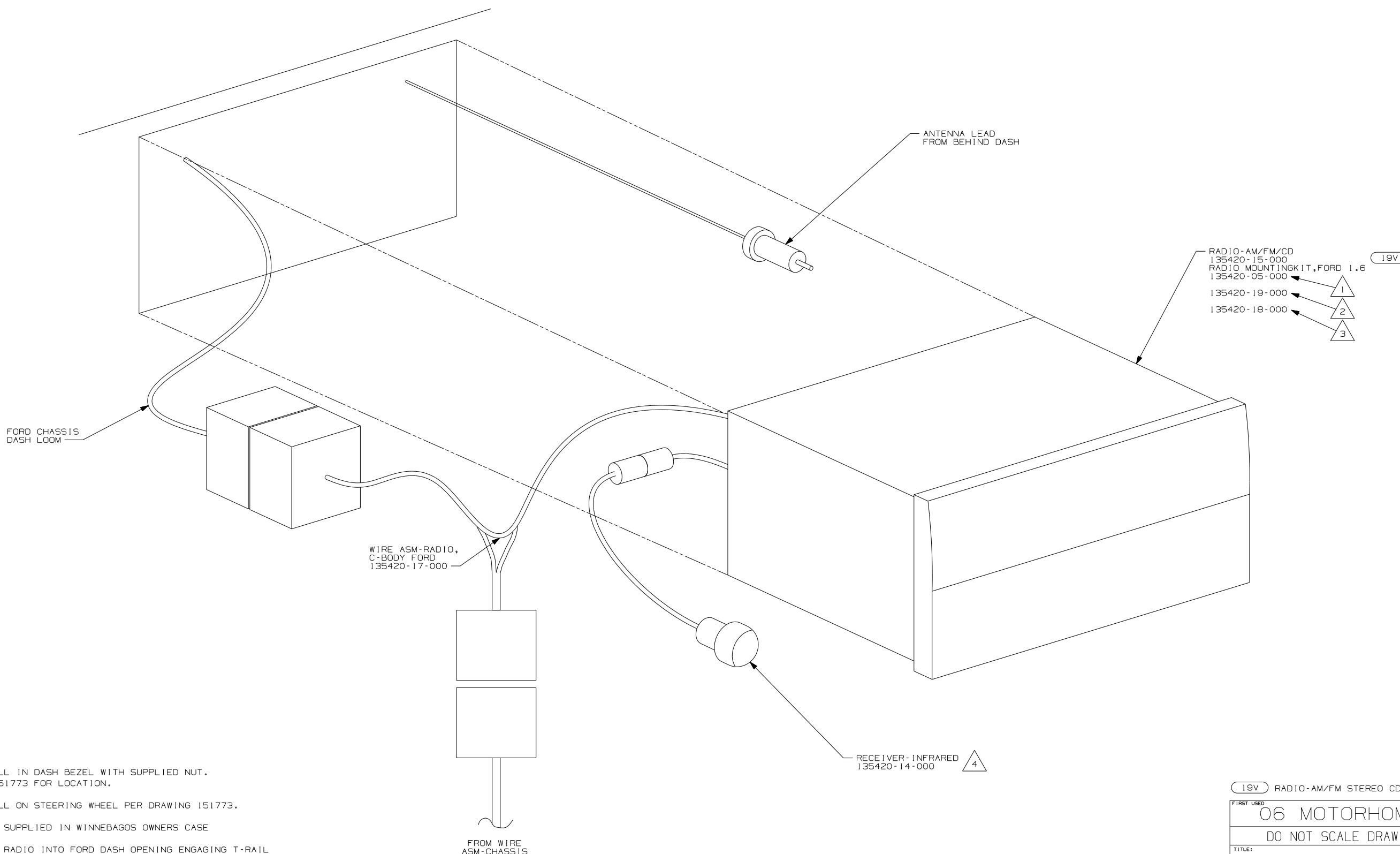


- 4 INSTALL IN DASH BEZEL WITH SUPPLIED NUT. SEE 151773 FOR LOCATION.
- 3 INSTALL ON STEERING WHEEL PER DRAWING 151773.
- 2 TO BE SUPPLIED IN WINNEBAGOS OWNERS CASE
- 1 SLIDE RADIO INTO FORD DASH OPENING ENGAGING T-RAIL ON BOTTOM OF RADIO UNTIL LOCKED IN PLACE.

NOTES:

19V RADIO-AM/FM STEREO CD PLAYER

FORD CHASSIS ONLY	
FIRST USED	06 MOTORHOMES
DO NOT SCALE DRAWING	
TITLE:	RADIO INSTL
SHEET 2	PART NO 151750



- 19V
- 1 RADIO-AM/FM/CD 135420-15-000
- 2 RADIO MOUNTING KIT, FORD 1.6 135420-05-000
- 3 135420-19-000
- 4 135420-18-000

- NOTES:
- 4 INSTALL IN DASH BEZEL WITH SUPPLIED NUT. SEE 151773 FOR LOCATION.
 - 3 INSTALL ON STEERING WHEEL PER DRAWING 151773.
 - 2 TO BE SUPPLIED IN WINNEBAGOS OWNERS CASE
 - 1 SLIDE RADIO INTO FORD DASH OPENING ENGAGING T-RAIL ON BOTTOM OF RADIO UNTIL LOCKED IN PLACE.

19V RADIO-AM/FM STEREO CD PLAYER	
FIRST USED	
06 MOTORHOMES	
DO NOT SCALE DRAWING	
TITLE:	
RADIO INSTL	
SHEET 3	PART NO 151750

FORD CHASSIS DASH LOOM

WIRE ASM-RADIO, C-BODY FORD 135420-17-000

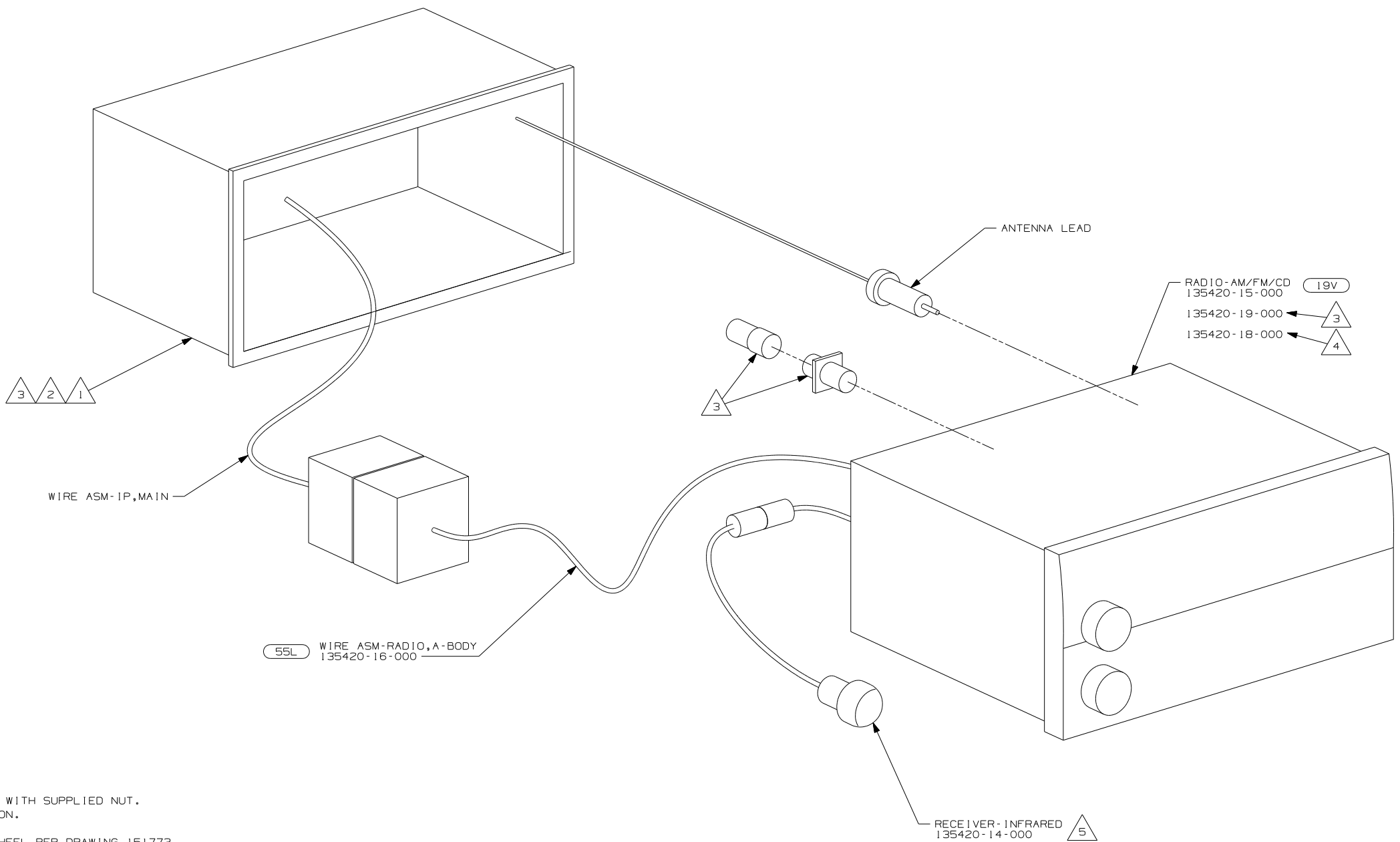
ANTENNA LEAD FROM BEHIND DASH

RECEIVER - INFRARED 135420-14-000

- 19V RADIO-AM/FM/CD COMBO 135420-15-000
- RADIO MOUNTING KIT, FORD 1.6 135420-05-000
- 135420-19-000
- 135420-18-000

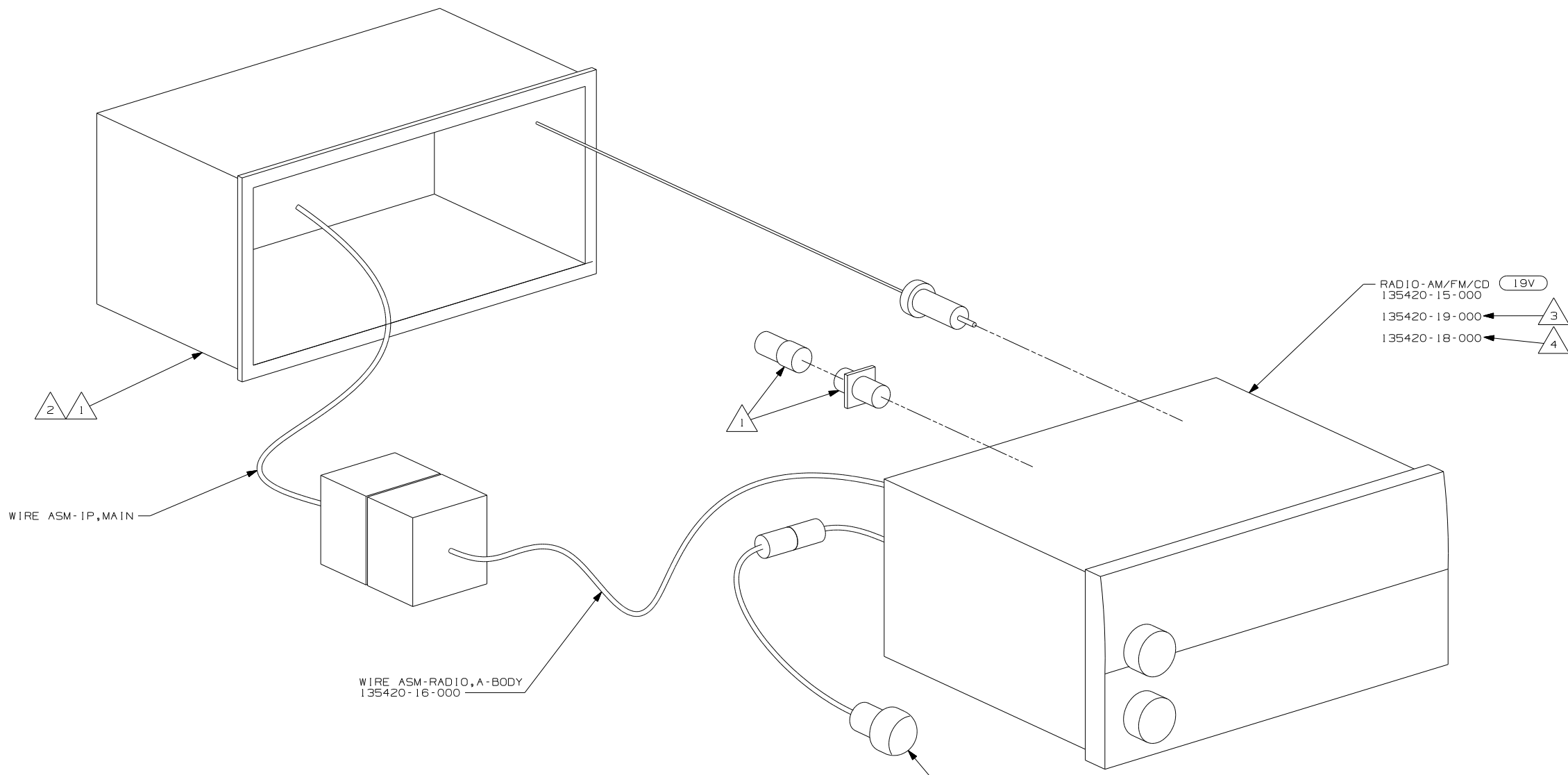
- NOTES:
- 4 INSTALL IN DASH BEZEL WITH SUPPLIED NUT. SEE 151773 FOR LOCATION.
 - 3 INSTALL ON STEERING WHEEL PER DRAWING 151773.
 - 2 TO BE SUPPLIED IN WINNEBAGOS OWNERS CASE
 - 1 SLIDE RADIO INTO FORD DASH OPENING ENGAGING T-RAIL ON BOTTOM OF RADIO UNTIL LOCKED IN PLACE.

19V RADIO-AM/FM STEREO CD PLAYER	
FIRST USED	
06 MOTORHOMES	
DO NOT SCALE DRAWING	
TITLE:	
RADIO INSTL	
SHEET 4	PART NO 151750



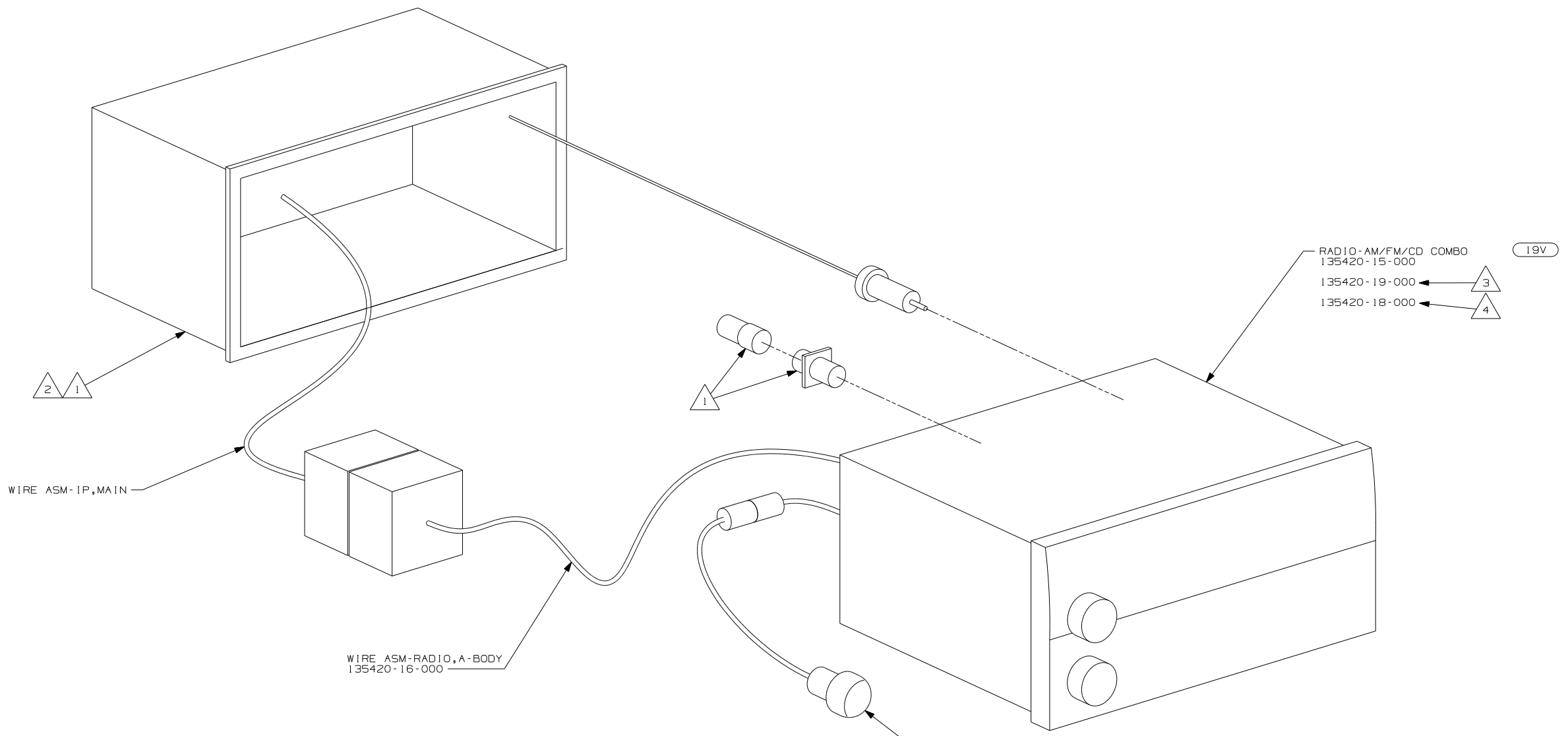
- NOTES:
- 5 INSTALL IN DASH BEZEL WITH SUPPLIED NUT. SEE 151773 FOR LOCATION.
 - 4 INSTALL ON STEERING WHEEL PER DRAWING 151773.
 - 3 TO BE SUPPLIED IN WINNEBAGOS OWNERS CASE
 - 2 BEND TABS ON ALL 4 SIDES TO SECURE MOUNTING BRACKET TO DASH OPENING.
 - 1 SUPPLIED WITH MOUNTING KIT 135420-07-000

19V RADIO-AM/FM STEREO CD PLAYER	
FIRST USED 06 MOTORHOMES	
DO NOT SCALE DRAWING	
TITLE: RADIO INSTL	
SHEET 5	PART NO 151750



- NOTES:
- 5 INSTALL IN DASH BEZEL WITH SUPPLIED NUT. SEE 151773 FOR LOCATION.
 - 4 INSTALL ON STEERING WHEEL PER DRAWING 151773.
 - 3 TO BE SUPPLIED IN WINNEBAGOS OWNERS CASE
 - 2 BEND TABS ON ALL 4 SIDES TO SECURE MOUNTING BRACKET TO DASH OPENING.
 - 1 SUPPLIED WITH MOUNTING KIT 135420-07-000.

19V RADIO-AM/FM STEREO CD PLAYER	
FIRST USED 06 MOTORHOMES	
DO NOT SCALE DRAWING	
TITLE: RADIO INSTL	
SHEET 6	PART NO 151750



WIRE ASM-IP, MAIN

WIRE ASM-RADIO, A-BODY
135420-16-000

19V

RADIO-AM/FM/CD COMBO
135420-15-000

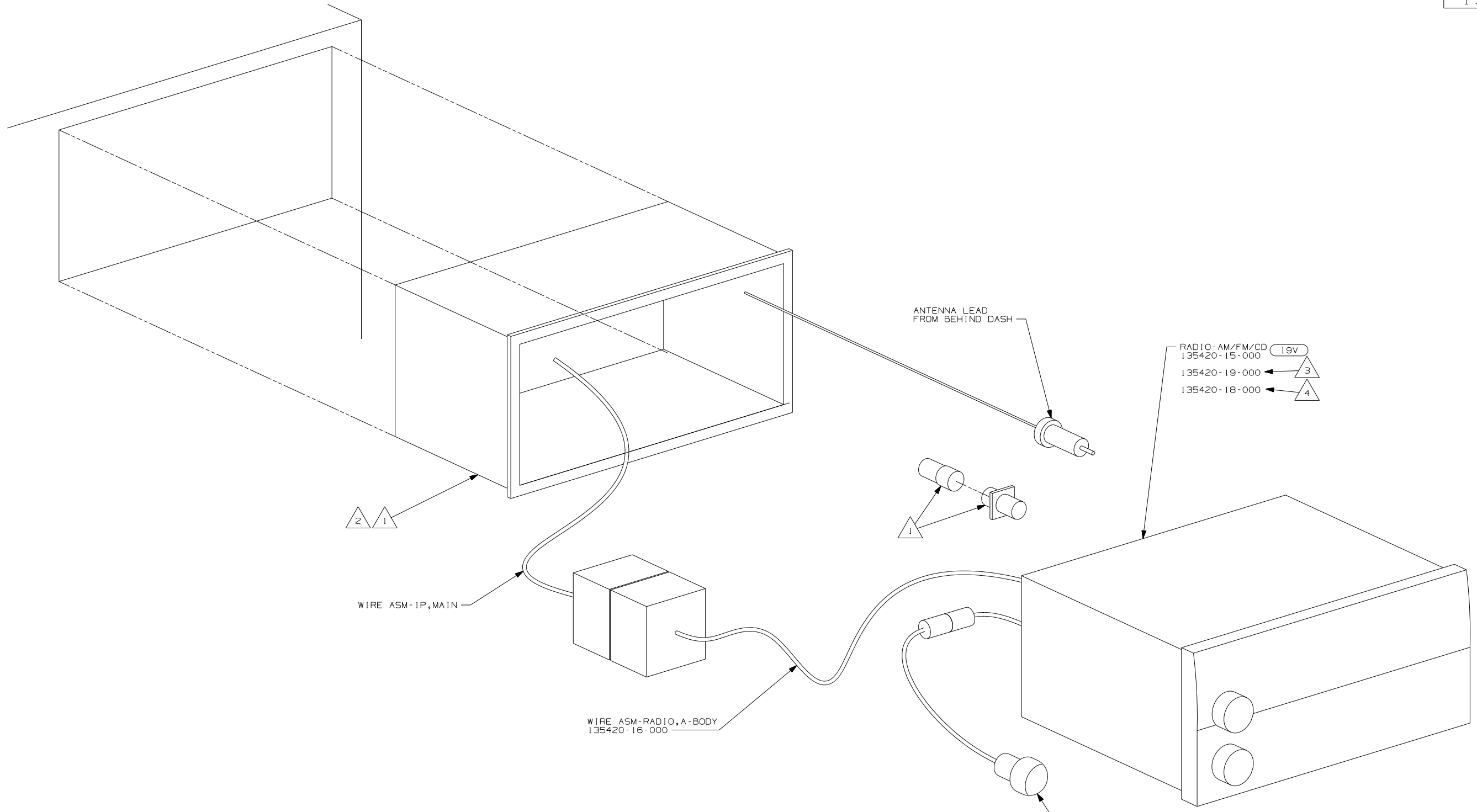
← 3
135420-19-000

← 4
135420-18-000

RECEIVER-INFRARED
135420-14-000

- NOTES:
- 5 INSTALL IN DASH BEZEL WITH SUPPLIED NUT. SEE 151773 FOR LOCATION.
 - 4 INSTALL ON STEERING WHEEL PER DRAWING 151773.
 - 3 TO BE SUPPLIED IN WINNEBAGOS OWNERS CASE
 - 2 BEND TABS ON ALL 4 SIDES TO SECURE MOUNTING BRACKET TO DASH OPENING.
 - 1 SUPPLIED WITH MOUNTING KIT 135420-07-000.

19V RADIO-AM/FM STEREO CD PLAYER	
FIRST USED 06 MOTORHOMES	
DO NOT SCALE DRAWING	
TITLE: RADIO INSTL	
SHEET 7	PART NO 151750

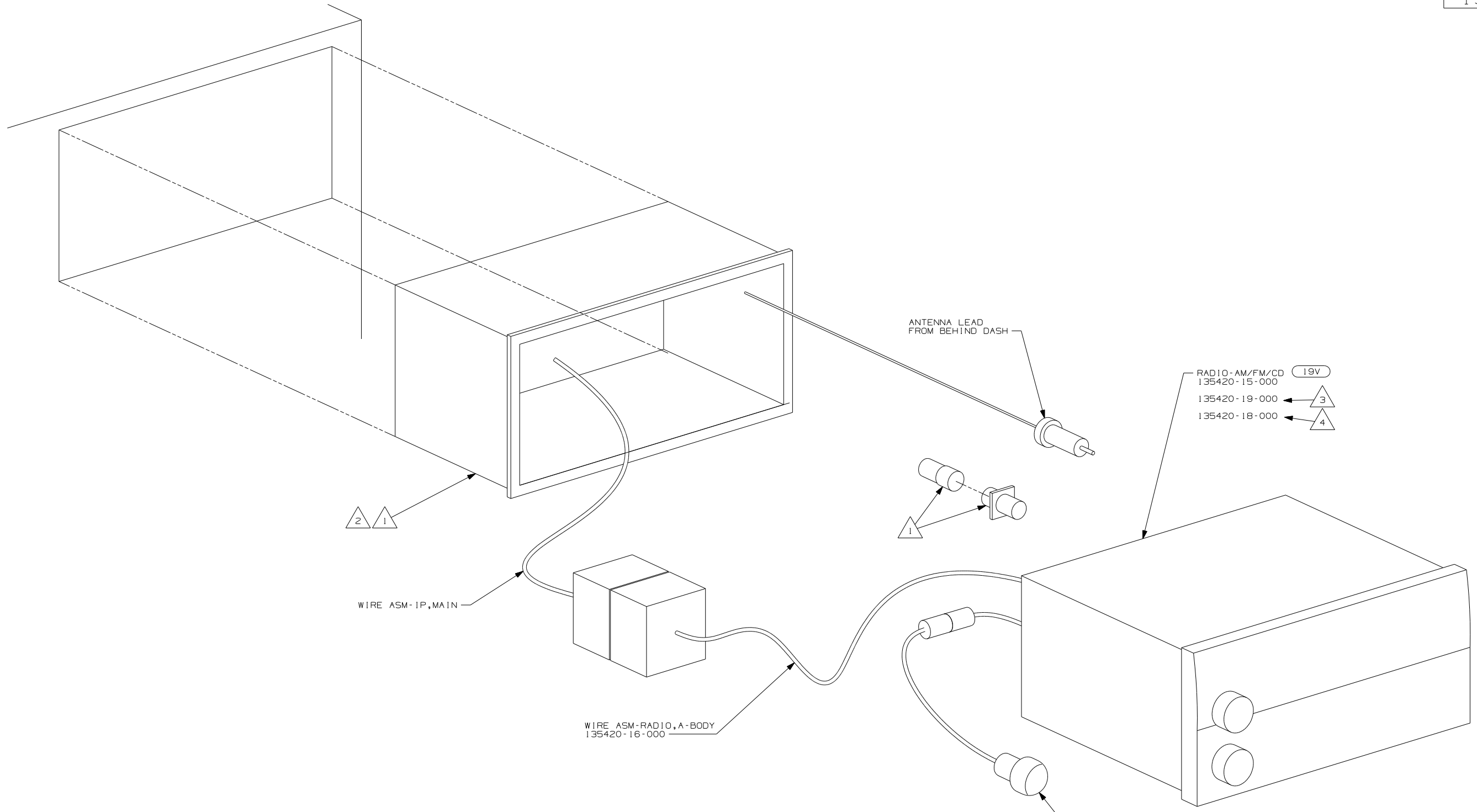


- NOTES:
- 5 INSTALL IN DASH BEZEL WITH SUPPLIED NUT. SEE 151773 FOR LOCATION.
 - 4 INSTALL ON STEERING WHEEL PER DRAWING 151773.
 - 3 TO BE SUPPLIED IN WINNEBAGOS OWNERS CASE
 - 2 BEND TABS ON ALL 4 SIDES TO SECURE MOUNTING BRACKET TO DASH OPENING.
 - 1 SUPPLIED WITH MOUNTING KIT 135420-07-000.

RECEIVER-INFRARED
135420-14-000

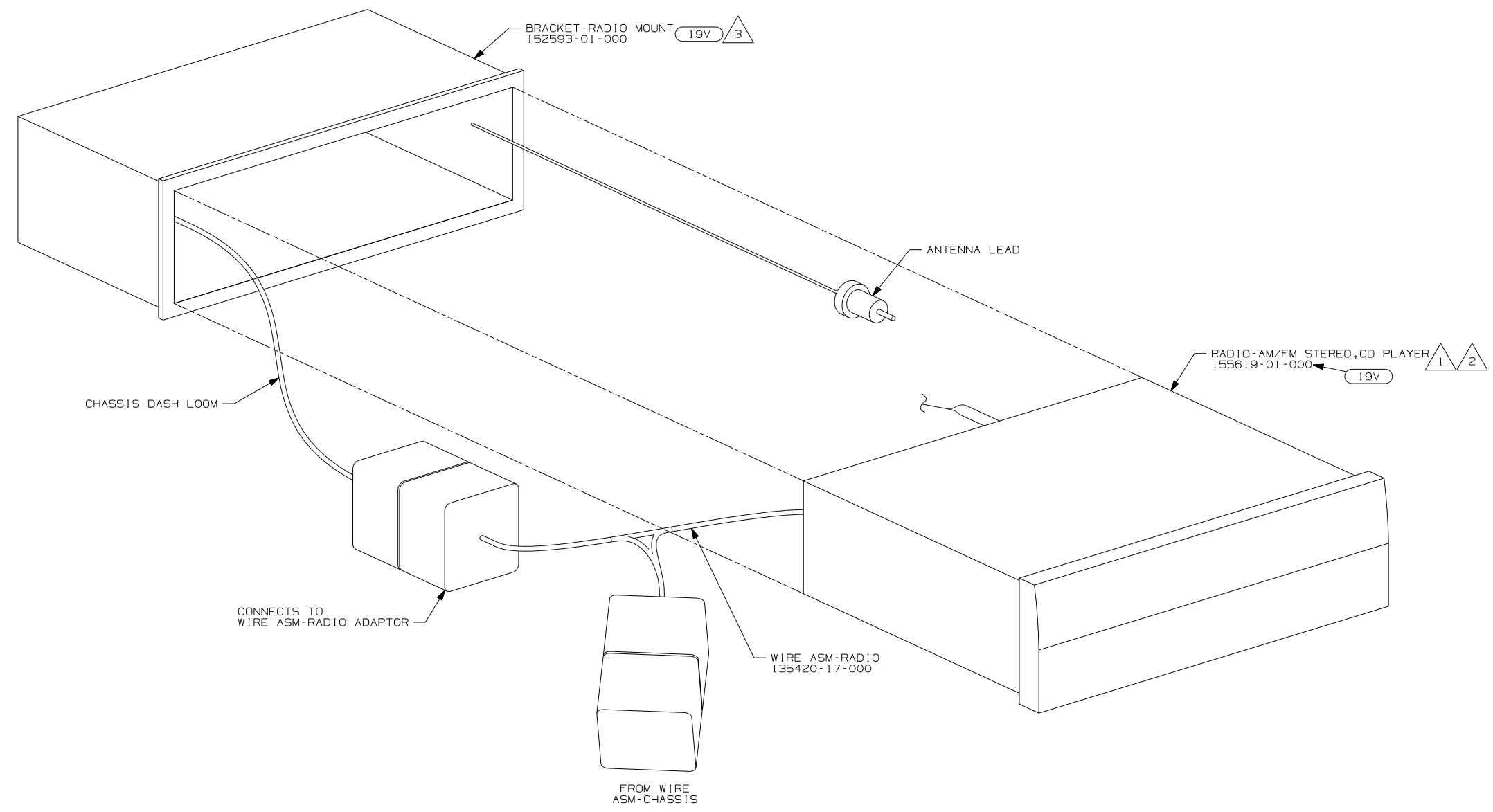
19V RADIO-AM/FM STEREO CD PLAYER

FIRST USED	
06	MOTORHOMES
DO NOT SCALE DRAWING	
TITLE:	
RADIO INSTL	
SHEET 8	PART NO
	151750



- NOTES:
- 5 INSTALL IN DASH BEZEL WITH SUPPLIED NUT. SEE 151773 FOR LOCATION.
 - 4 INSTALL ON STEERING WHEEL PER DRAWING 151773.
 - 3 TO BE SUPPLIED IN WINNEBAGOS OWNERS CASE
 - 2 BEND TABS ON ALL 4 SIDES TO SECURE MOUNTING BRACKET TO DASH OPENING.
 - 1 SUPPLIED WITH MOUNTING KIT 135420-07-000.

19V	RADIO-AM/FM STEREO CD PLAYER
FIRST USED	06 MOTORHOMES
TITLE:	DO NOT SCALE DRAWING
SHEET 9	PART NO 151750



- NOTES:
- 3 INSTALL REAR RADIO SUPPORT BRACKET, ENGAGING T-RAIL ON BOTTOM OF RADIO UNTIL LOCKED IN PLACE.
 - 2 BEND TABS ON ALL 4 SIDES TO SECURE MOUNTING BRACKET TO DASH OPENING.
 - 1 CREDIT CARD REMOTE SUPPLIED WITH RADIO IS TO BE INCLUDED IN OWNER'S INFO CASE.

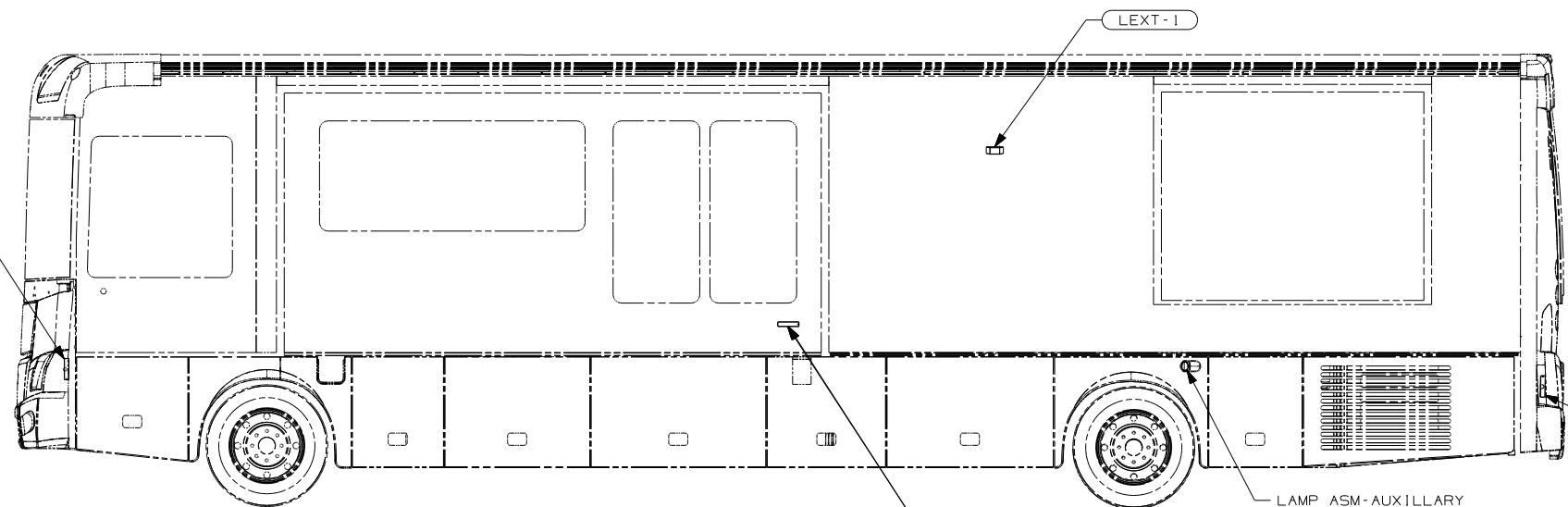
FOR ELECTRICAL CALLOUTS SEE DWG NO. 121339-01-000

19V RADIO-AM/FM STEREO CD PLAYER

FIRST USED	
06 MOTORHOMES	
DO NOT SCALE DRAWING	
TITLE: RADIO INSTL	
SHEET 10	PART NO 151750

DRAWING NO.	
152108-01	(WIN)
152108-02	(ITA)

RELEASE	REV DATE	DWG NO	152108
REV ZONE	REVISION RECORD	DATE	DFTR-0R1G

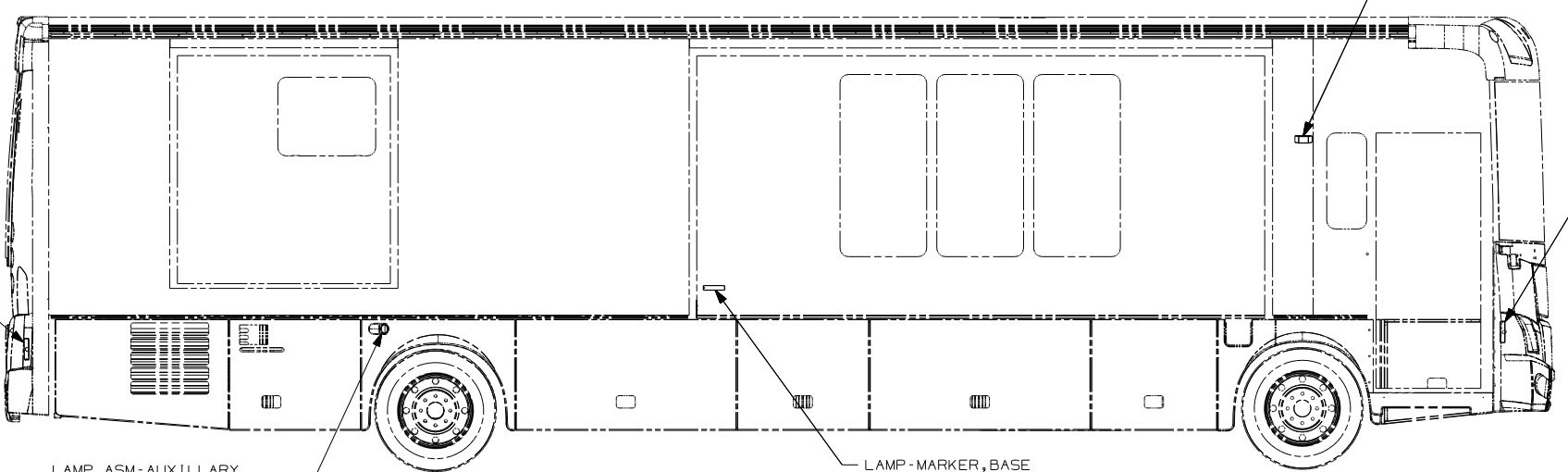


(WIN) LAMP-MARKER, AMBER
117826-02-000
GASKET-MARKER LIGHT
117826-03-000
BULB
36196-01-000
SCREW
G11-08-12U (EXT) (2)

LAMP-MARKER, BASE
111102-01-000
LAMP-MARKER, LENS, AMBER
111102-02-000
SCREW
G11-08-12U (EXT) (2)
CONNECTOR
58028-01-000 (4)

LAMP ASM-AUXILLARY
129746-01-000
NUT
40921-05-000 (2)
SCREW
G39-08-10U (EXT) (3)
SHIM-STRIKER
120494-03-CHT (A/R)

LAMP ASM-MARKER, RED
117826-01-000
GASKET-MARKER LIGHT
117826-03-000
BULB
36196-01-000
SCREW
G11-08-12U (EXT) (2)



LAMP ASM-MARKER, RED
117826-01-000
GASKET-MARKER LIGHT
117826-03-000
BULB
36196-01-000
SCREW
G11-08-12U (EXT) (2)

LAMP-MARKER, BASE
111102-01-000
LAMP-MARKER, LENS, AMBER
111102-02-000
SCREW
G11-08-12U (EXT) (2)
CONNECTOR
58028-01-000 (4)

LAMP ASM-AUXILLARY
129746-01-000
NUT
40921-05-000 (2)
SCREW
G39-08-10U (EXT) (3)
SHIM-STRIKER
120494-03-CHT (A/R)

LAMP-MARKER, AMBER (WIN)
117826-02-000
GASKET-MARKER LIGHT
117826-03-000
BULB
36196-01-000
SCREW
G11-08-12U (EXT) (2)

- (ITA) ITASCA ONLY
- (WIN) WINNEBAGO ONLY
- (265) CODES/STANDARDS-CSA/CMVSS
- (1B1) CODES/STANDARDS USA

(1B1) (265)

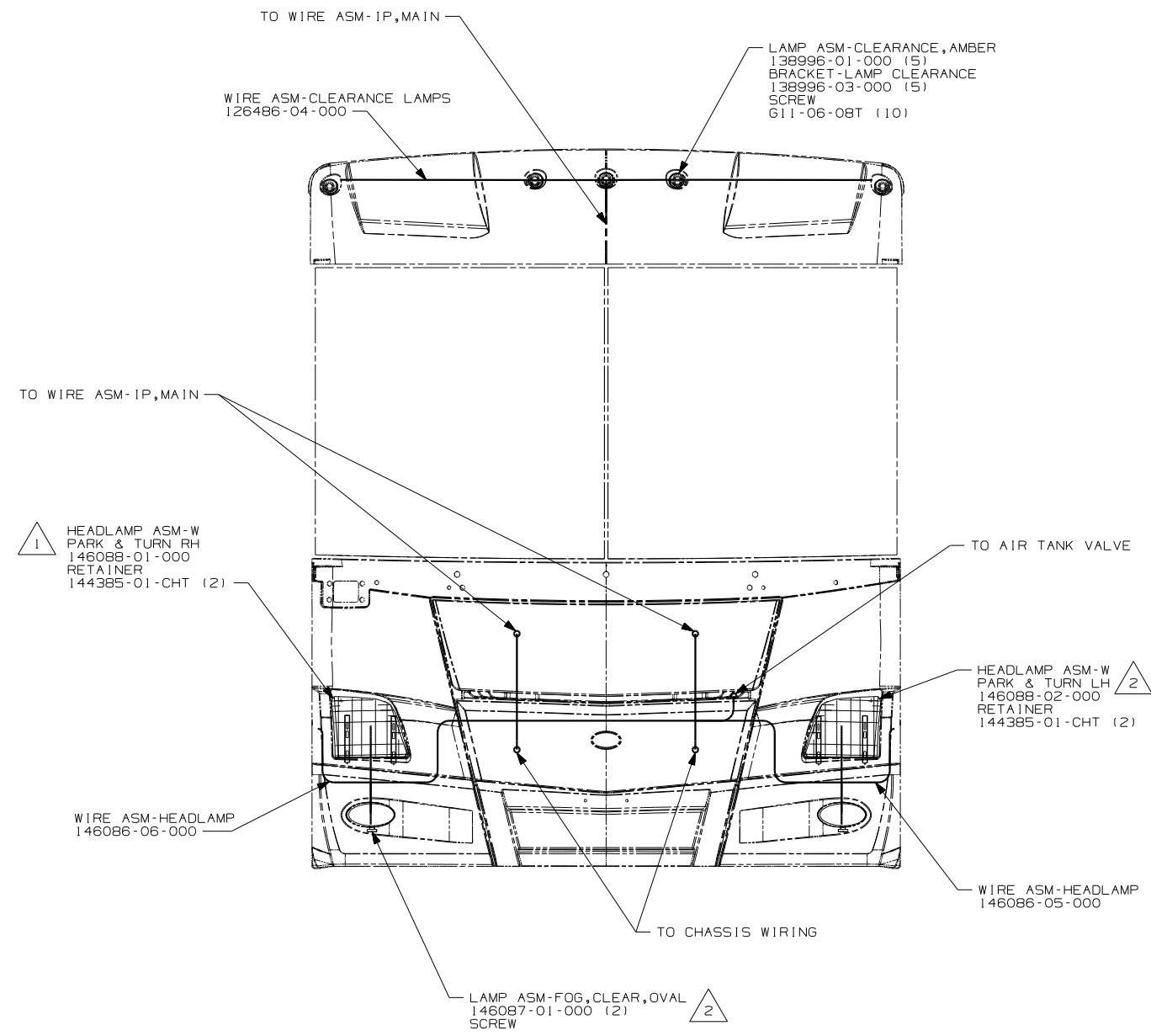


DFTR	ORIG. DATE
CHKR	ALL DIMENSIONS ARE IN MILLIMETERS
P.E.	
M.E.	FIRST USED
DSNR	06 S-SERIES
UNSPECIFIED TOLERANCES ARE:	MATERIAL:
HOLE DIM (X) :	
ONE-PLACE (X.X) :	
TWO-PLACE (X.XX) :	
ANGLE :	
THIRD ANGLE PROJECTION	

FOR ELECTRICAL TORQUE SPECIFICATIONS SEE DWG NO. 128783-01-000

(X-X) FOR ELECTRICAL CALLOUTS SEE DWG NO. 121339-01-000

DO NOT SCALE DRAWING
TITLE: WIRING INSTL-EXTERIOR LAMPS
SHEET 1 OF 3 PART NO 152108



- △ 2 USE ALLAN HEAD SCREW PROVIDED WITH FOG LAMP. TORQUE TO 14 FT/LBS.
- △ 1 CUT PLUG OFF HEADLIGHT ASSEMBLY, CONNECT AND HEAT SHRINK AS FOLLOWS:
DDM OR DDL TO BLACK, MM TO BROWN, WHITE/BLUE TO RA OR RB,
GREEN/BLACK TO NB, GREEN/ORANGE TO NA.

NOTES:

- 240 TRAILER HITCH
- WIN WINNEBAGO ONLY
- 265 CODES/STANDARDS-CSA/CMVSS
- 1B1 CODES/STANDARDS USA

1B1 265 WIN

FOR ELECTRICAL TORQUE SPECIFICATIONS SEE DWG NO. 128783-01-000

FOR ELECTRICAL CALLOUTS SEE DWG NO. 121339-01-000

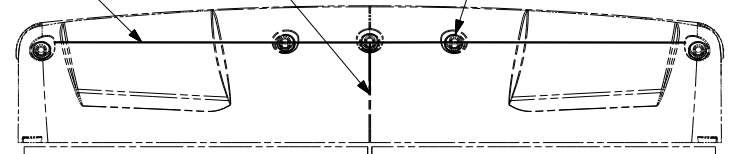
FIRST USED	
06 S-SERIES	
DO NOT SCALE DRAWING	
TITLE:	
WIRING INSTL-EXTERIOR LAMPS	
SHEET 2	PART NO 152108

TO WIRE ASM-IP,MAIN

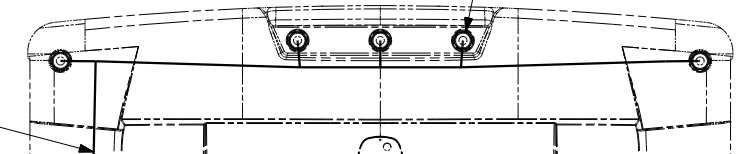
WIRE ASM-CLEARANCE LAMPS
126486-04-000

LAMP ASM-CLEARANCE, AMBER
138996-01-000 (5)
BRACKET-LAMP CLEARANCE
138996-03-000 (5)
SCREW
G11-06-0BT (10)

LAMP ASM-CLEARANCE, RED
138996-02-000 (5)
BRACKET-LAMP CLEARANCE
138996-03-000 (5)
SCREW
G11-06-0BT (EXT) (10)



WIRE ASM-BACKWALL, FL
146221-06-000



LIGHT ASM-BRAKE LED
151076-01-000 (2)
SCREW
G39-06-16T (4)

WIN

LAMP ASM-STOP/TURN/TAIL/BU
154595-02-000
154595-04-000
SCREW
000655-08-12B (2)
BULB
112708-01-000 (3)
117805-02-000
BUMPER
120760-01-000 (3)

ITA

LAMP ASM-STOP/TURN/TAIL/BU
154595-01-000
154595-03-000
SCREW
000655-08-12B (2)
BULB
112708-01-000 (3)
117805-02-000
BUMPER
120760-01-000 (3)

WIN

ITA

2

HEADLAMP ASM-W/PARK & TURN
146331-01-000
BOLT
000C12-06-16B (2)
WASHER
000E13-18-00B (2)
NUT
000D39-06-00B (2)
BOLT
OMC04K-06-016 (2)
WASHER
OME05K-06-180 (2)

TO AIR TANK VALVE

HEADLAMP ASM-W/PARK & TURN
146331-02-000
BOLT
000C12-06-16B (2)
WASHER
000E13-18-00B (2)
NUT
000D39-06-00B (2)
BOLT
OMC04K-06-016 (2)
WASHER
OME05K-06-180 (2)

2

LAMP ASM-FOG, CLEAR, OVAL
146332-01-000
NUT
OMD54F-06-000 (4)
BULB
146673-01-000

LAMP ASM-FOG, CLEAR, OVAL
146332-01-000
NUT
OMD54F-06-000 (4)
BULB
146673-01-000

TRAILER PLUG
(SUPPLIED W/CHASSIS)
SCREW
101618-01-000 (4)

LAMP-LICENSE
87201-01-000 (2)
SCREW
G11-06-12U (EXT) (4)

WIRE ASM-HEADLAMP
146086-08-000

TO CHASSIS WIRING

WIRE ASM-HEADLAMP
146086-07-000

ITA

ITA WIN

- (WIN) WINNEBAGO ONLY
- (ITA) ITASCA ONLY
- (240) TRAILER HITCH
- (265) CODES/STANDARDS-CSA/CMVSS
- (1B1) CODES/STANDARDS USA

(1B1) (265) (ITA) (WIN)

2 CUT PLUG OFF HEADLAMP ASSEMBLY, CONNECT AND HEATSHRINK AS FOLLOWS:
DDL OR DDM TO BLACK, MM TO GREEN, RA OR RB TO RED

1. CONNECTOR-PLUG, TRAILER (146246-01-000) TO BE SUPPLIED IN COACH WITH (240)

NOTES:

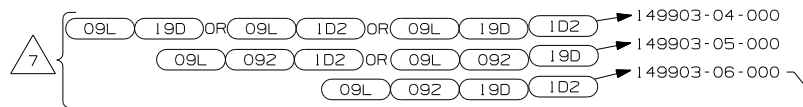
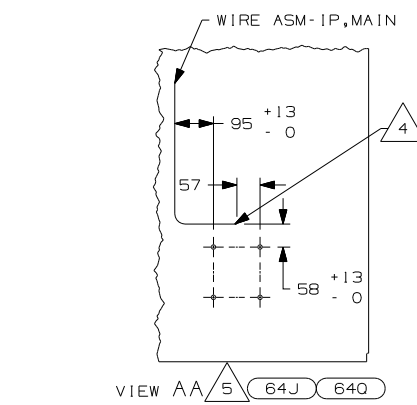
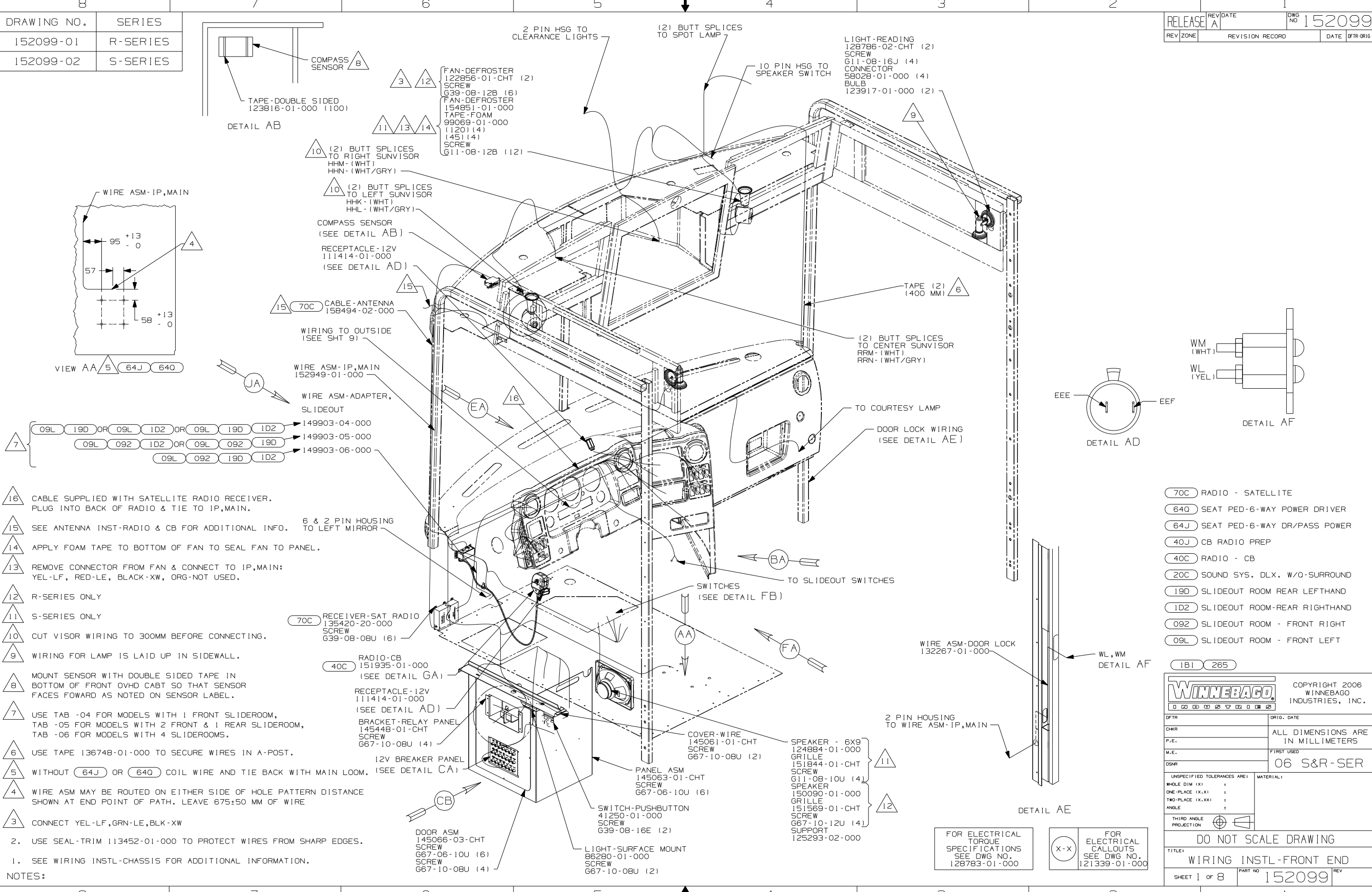
FOR ELECTRICAL TORQUE SPECIFICATIONS SEE DWG NO. 128783-01-000

(X-X) FOR ELECTRICAL CALLOUTS SEE DWG NO. 121339-01-000

FIRST USED	
06 S-SERIES	
DO NOT SCALE DRAWING	
TITLE:	
WIRING INSTL-EXTERIOR LAMPS	
SHEET 3	PART NO 152108

DRAWING NO.	SERIES
152099-01	R-SERIES
152099-02	S-SERIES

RELEASE	REV/DATE	DWG NO
	A	152099
REV ZONE	REVISION RECORD	DATE
		DTR-016



- 16 CABLE SUPPLIED WITH SATELLITE RADIO RECEIVER. PLUG INTO BACK OF RADIO & TIE TO IP,MAIN.
- 15 SEE ANTENNA INST-RADIO & CB FOR ADDITIONAL INFO.
- 14 APPLY FOAM TAPE TO BOTTOM OF FAN TO SEAL FAN TO PANEL.
- 13 REMOVE CONNECTOR FROM FAN & CONNECT TO IP,MAIN: YEL-LF, RED-LE, BLACK-XW, ORG-NOT USED.
- 12 R-SERIES ONLY
- 11 S-SERIES ONLY
- 10 CUT VISOR WIRING TO 300MM BEFORE CONNECTING.
- 9 WIRING FOR LAMP IS LAID UP IN SIDEWALL.
- 8 MOUNT SENSOR WITH DOUBLE SIDED TAPE IN BOTTOM OF FRONT OVHD CABT SO THAT SENSOR FACES FOWARD AS NOTED ON SENSOR LABEL.
- 7 USE TAB -04 FOR MODELS WITH 1 FRONT SLIDEROOM, TAB -05 FOR MODELS WITH 2 FRONT & 1 REAR SLIDEROOM, TAB -06 FOR MODELS WITH 4 SLIDEROOMS.
- 6 USE TAPE 136748-01-000 TO SECURE WIRES IN A-POST.
- 5 WITHOUT (64J) OR (640) COIL WIRE AND TIE BACK WITH MAIN LOOM.
- 4 WIRE ASM MAY BE ROUTED ON EITHER SIDE OF HOLE PATTERN DISTANCE SHOWN AT END POINT OF PATH. LEAVE 675±50 MM OF WIRE
- 3 CONNECT YEL-LF,GRN-LE,BLK-XW

- NOTES:
2. USE SEAL-TRIM 113452-01-000 TO PROTECT WIRES FROM SHARP EDGES.
 1. SEE WIRING INSTL-CHASSIS FOR ADDITIONAL INFORMATION.

DETAIL AB

(2) BUTT SPLICES TO RIGHT SUNVISOR
HHM - (WHT)
HHN - (WHT/GRY)

(2) BUTT SPLICES TO LEFT SUNVISOR
HHK - (WHT)
HHL - (WHT/GRY)

COMPASS SENSOR
(SEE DETAIL AB)

RECEPTACLE-12V
111414-01-000
(SEE DETAIL AD)

(70C) CABLE-ANTENNA
158494-02-000

WIRING TO OUTSIDE
(SEE SHT 9)

WIRE ASM-IP,MAIN
152949-01-000

WIRE ASM-ADAPTER,
SLIDEOUT

149903-04-000
149903-05-000
149903-06-000

(70C) RECEIVER-SAT RADIO
135420-20-000
SCREW
639-08-08U (6)

(40C) RADIO-CB
151935-01-000
(SEE DETAIL GA)

RECEPTACLE-12V
111414-01-000
(SEE DETAIL AD)

BRACKET-RELAY PANEL
145448-01-CHT
SCREW
667-10-08U (4)

12V BREAKER PANEL
(SEE DETAIL CA)

DOOR ASM
145066-03-CHT
SCREW
667-06-10U (6)
SCREW
667-10-08U (4)

COVER-WIRE
145061-01-CHT
SCREW
667-10-08U (2)

PANEL ASM
145063-01-CHT
SCREW
667-06-10U (6)

SWITCH-PUSHBUTTON
41250-01-000
SCREW
639-08-16E (2)

LIGHT-SURFACE MOUNT
86280-01-000
SCREW
667-10-08U (2)

FAN-DEFROSTER
122856-01-CHT (2)
SCREW
639-08-12B (6)
FAN-DEFROSTER
154851-01-000
TAPE-FOAM
99069-01-000
(120) (4)
(45) (4)
SCREW
611-08-12B (12)

2 PIN HSG TO CLEARANCE LIGHTS

(2) BUTT SPLICES TO SPOT LAMP

10 PIN HSG TO SPEAKER SWITCH

LIGHT-READING
128786-02-CHT (2)
SCREW
611-08-16J (4)
CONNECTOR
58028-01-000 (4)
BULB
123917-01-000 (2)

TAPE (2)
(400 MM)

(2) BUTT SPLICES TO CENTER SUNVISOR
RRM - (WHT)
RRN - (WHT/GRY)

TO COURTESY LAMP

DOOR LOCK WIRING
(SEE DETAIL AE)

SWITCHES
(SEE DETAIL FB)

TO SLIDEOUT SWITCHES

WIRE ASM-DOOR LOCK
132267-01-000

2 PIN HOUSING TO WIRE ASM-IP,MAIN

SPEAKER - 6X9
124884-01-000
GRILLE
151844-01-CHT
SCREW
611-08-10U (4)
SPEAKER
150090-01-000
GRILLE
151569-01-CHT
SCREW
667-10-12U (4)
SUPPORT
125293-02-000

WIRE ASM-IP,MAIN

WIRE ASM-ADAPTER, SLIDEOUT

TO COURTESY LAMP

DOOR LOCK WIRING (SEE DETAIL AE)

SWITCHES (SEE DETAIL FB)

TO SLIDEOUT SWITCHES

WIRE ASM-DOOR LOCK 132267-01-000

DETAIL AD

EEE

EEF

DETAIL AD

WM (WHT)

WL (YEL)

DETAIL AF

WM (WHT)

WL (YEL)

DETAIL AF

(70C) RADIO - SATELLITE

(640) SEAT PED-6-WAY POWER DRIVER

(64J) SEAT PED-6-WAY DR/PASS POWER

(40J) CB RADIO PREP

(40C) RADIO - CB

(20C) SOUND SYS. DLX. W/O-SURROUND

(19D) SLIDEOUT ROOM REAR LEFTHAND

(1D2) SLIDEOUT ROOM-REAR RIGHTHAND

(092) SLIDEOUT ROOM - FRONT RIGHT

(09L) SLIDEOUT ROOM - FRONT LEFT

(1B1) 265

WINNEBAGO

COPYRIGHT 2006 WINNEBAGO INDUSTRIES, INC.

ALL DIMENSIONS ARE IN MILLIMETERS

06 S&R-SER

UNSPECIFIED TOLERANCES ARE:

THIRD ANGLE PROJECTION

DO NOT SCALE DRAWING

WIRING INSTL-FRONT END

FOR ELECTRICAL TORQUE SPECIFICATIONS SEE DWG NO. 128783-01-000

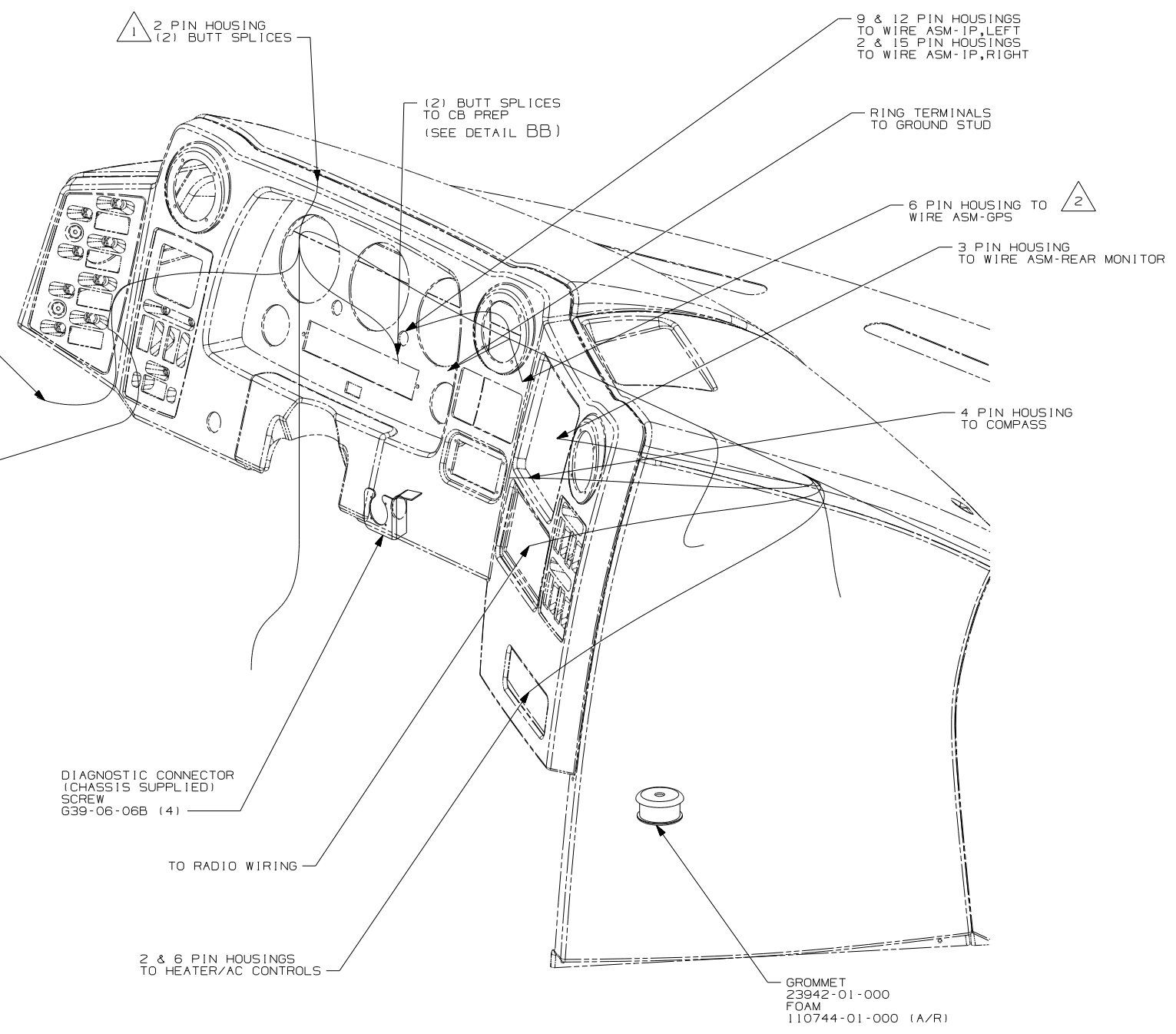
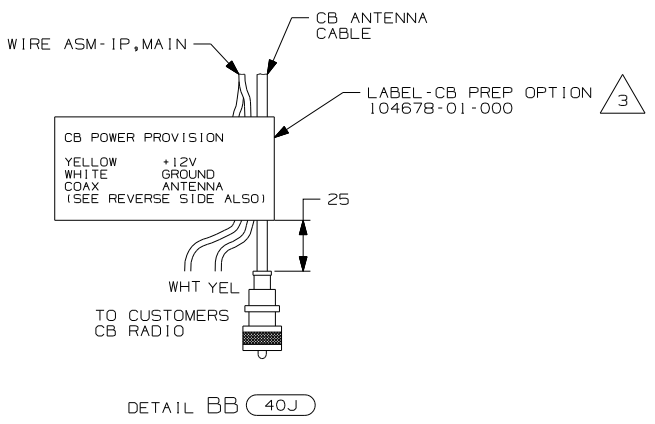
FOR ELECTRICAL CALLOUTS SEE DWG NO. 121339-01-000

X-X

REF: 1 6/16/2006

SHEET 1 OF 8

152099



DETAIL BA

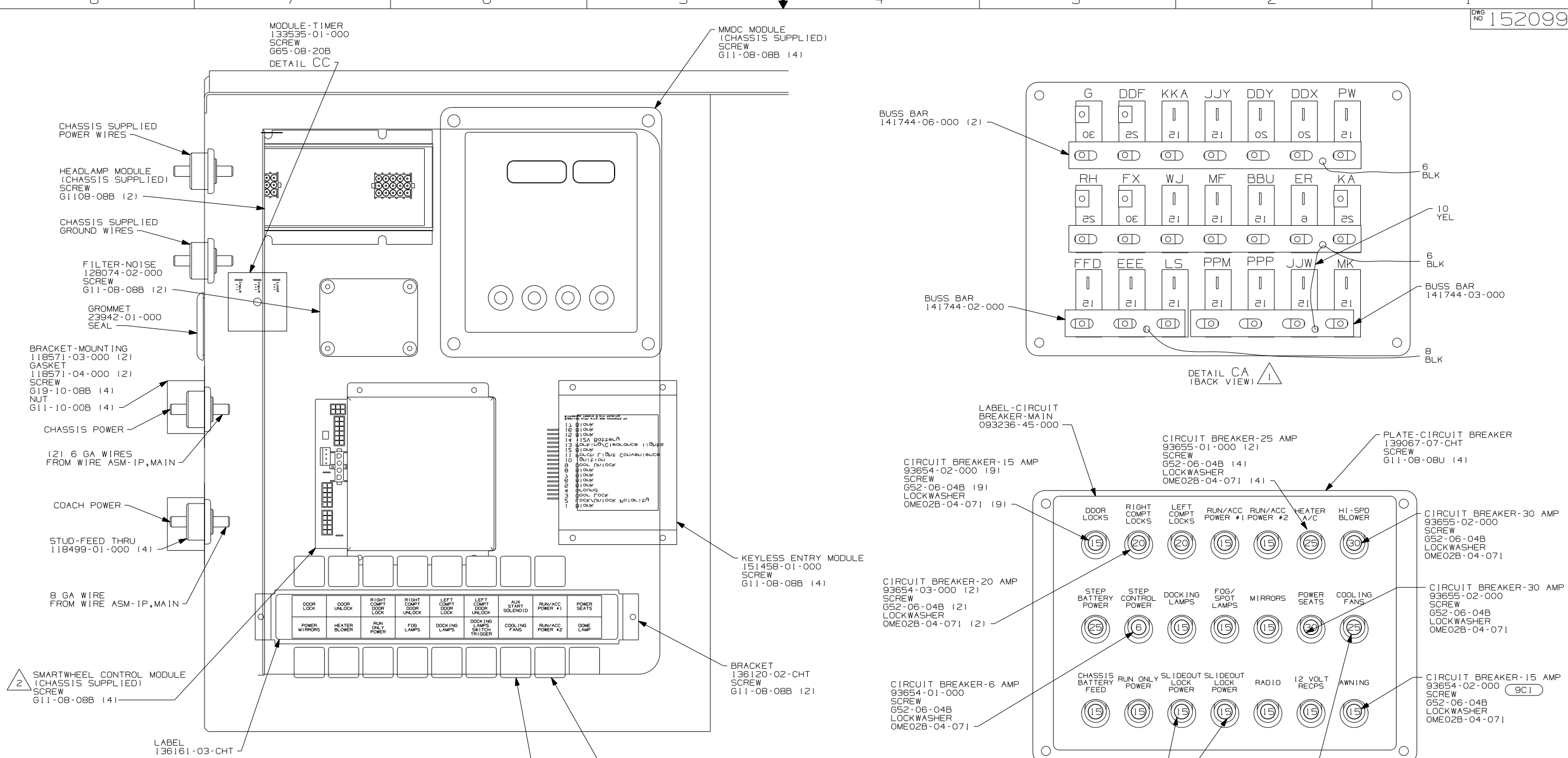
- NOTES:
- ³ EDGE OF LABEL TO HANG JUST BELOW BOTTOM OF DASH.
 - ² SEE WIRING INSTL-GPS FOR ADDITIONAL INFORMATION, TIE BACK INTO MAIN LOOM WITHOUT 15D.
 - ¹ ROUTE WIRES UP LEFT A-PILLAR.

- 40J CB RADIO PREP
- 15D GSP-NAVIGATION SYSTEM

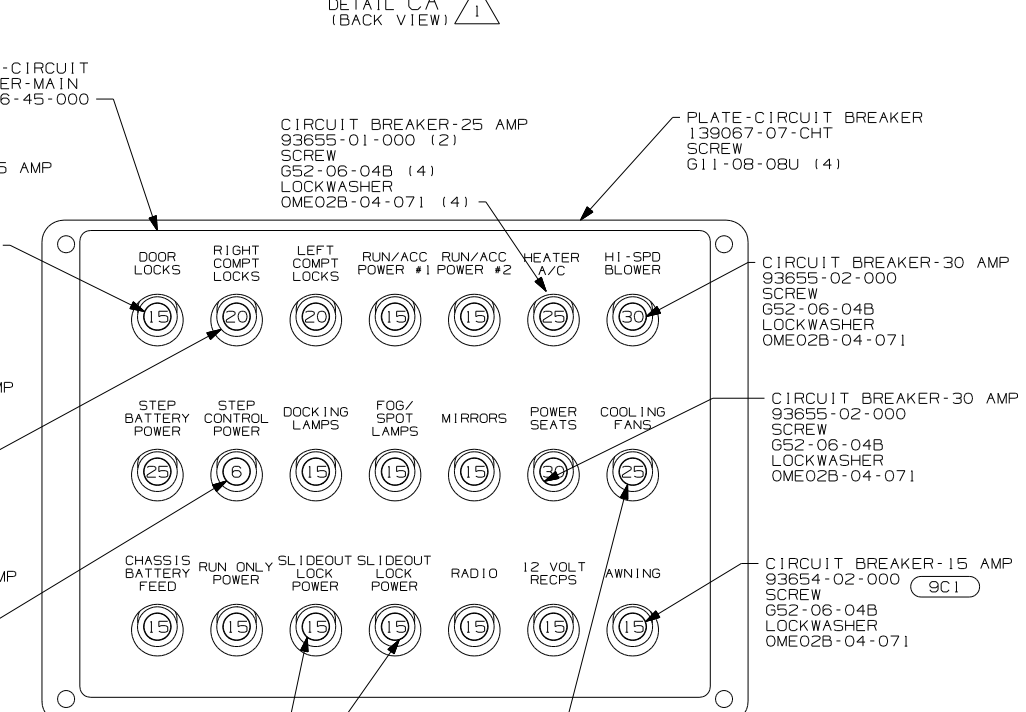
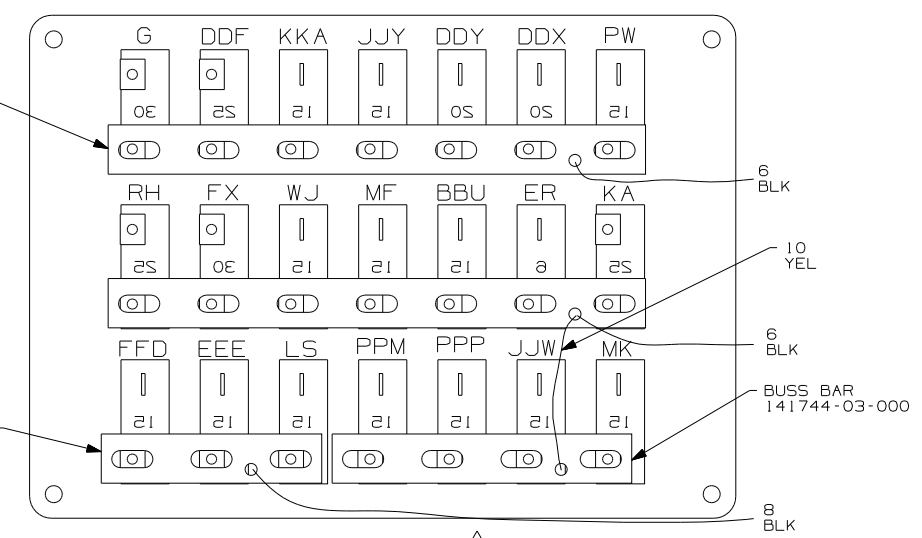
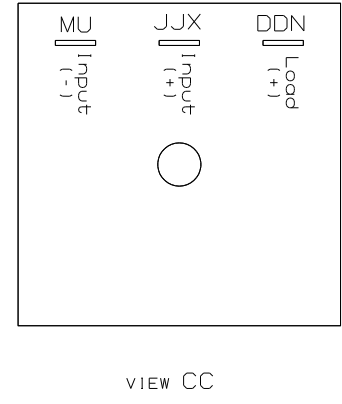
FOR ELECTRICAL TORQUE SPECIFICATIONS SEE DWG NO. 128783-01-000

X-X FOR ELECTRICAL CALLOUTS SEE DWG NO. 121339-01-000

FIRST USED		06 S&R-SER	
DO NOT SCALE DRAWING			
TITLE: WIRING INSTL-FRONT END			
SHEET 2	PART NO	152099	REV



- NOTES:
- 3 SEAL ALL SCREWS ON EXTERIOR SIDE OF COMPARTMENT. REFER TO SEALANT MANUAL.
 - 2 CHASSIS SUPPLIED LOOM IS LABELED TO CORRESPOND WITH LABEL ON MODULE.
 - 1 CIRCUITS LABELED ON BREAKER ARE FROM WIRE ASM-1P, MAIN, UNLESS OTHERWISE SPECIFIED.

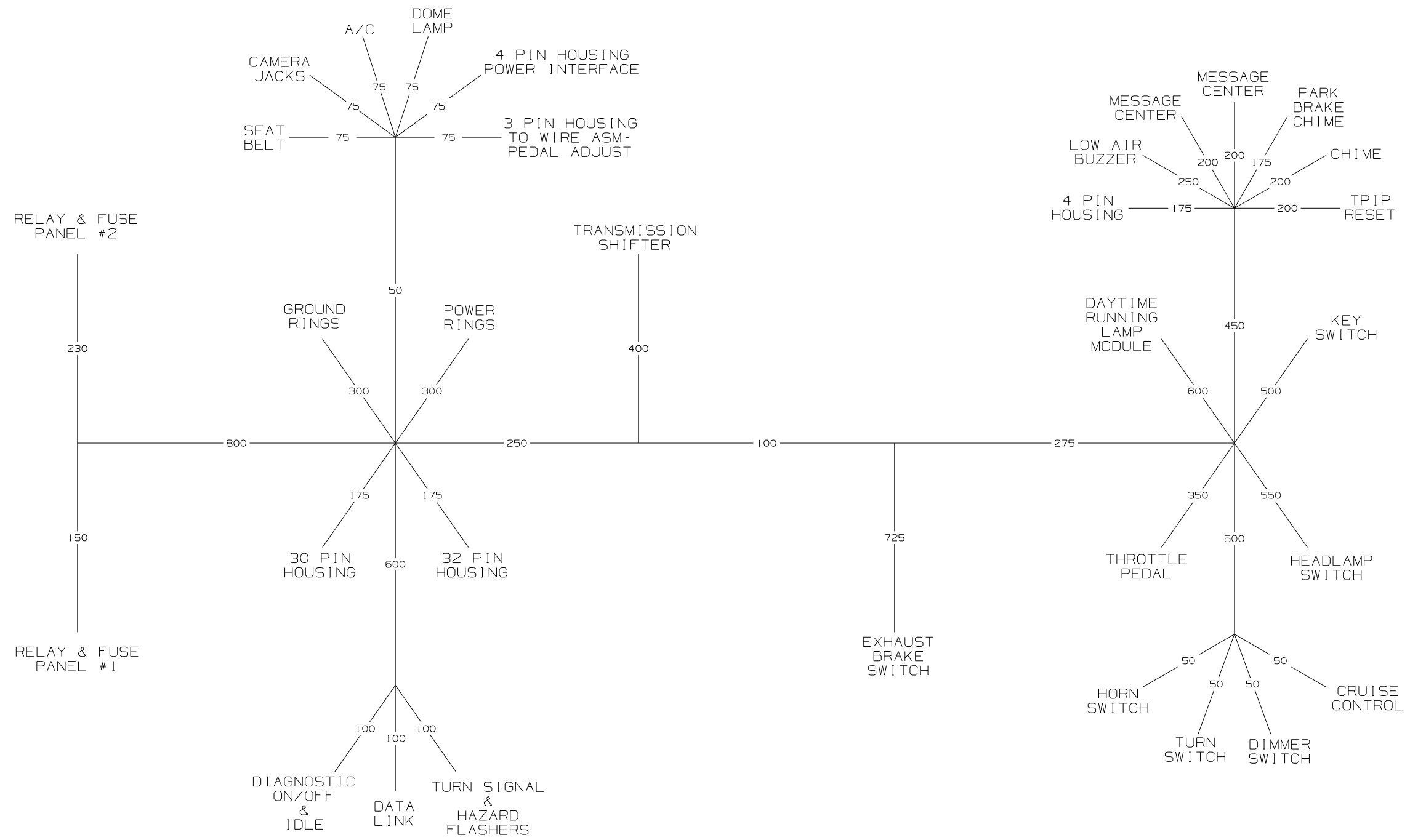


FOR ELECTRICAL TORQUE SPECIFICATIONS SEE DWG NO. 128783-01-000

FOR ELECTRICAL CALLOUTS SEE DWG NO. 121339-01-000

- IFU FRTL 32,000 350HP 7.2L 6 SPD
- ILB FRTL 32,000 350 6SP IFS
- ILC FRTL 29,410 350 7.2L 6 SPEED
- 640 SEAT PED-6-WAY DR/PASS POWER
- 64J SEAT PED-6-WAY DR/PASS POWER
- 9C1 AWNING-ELECTRIC PACKAGE

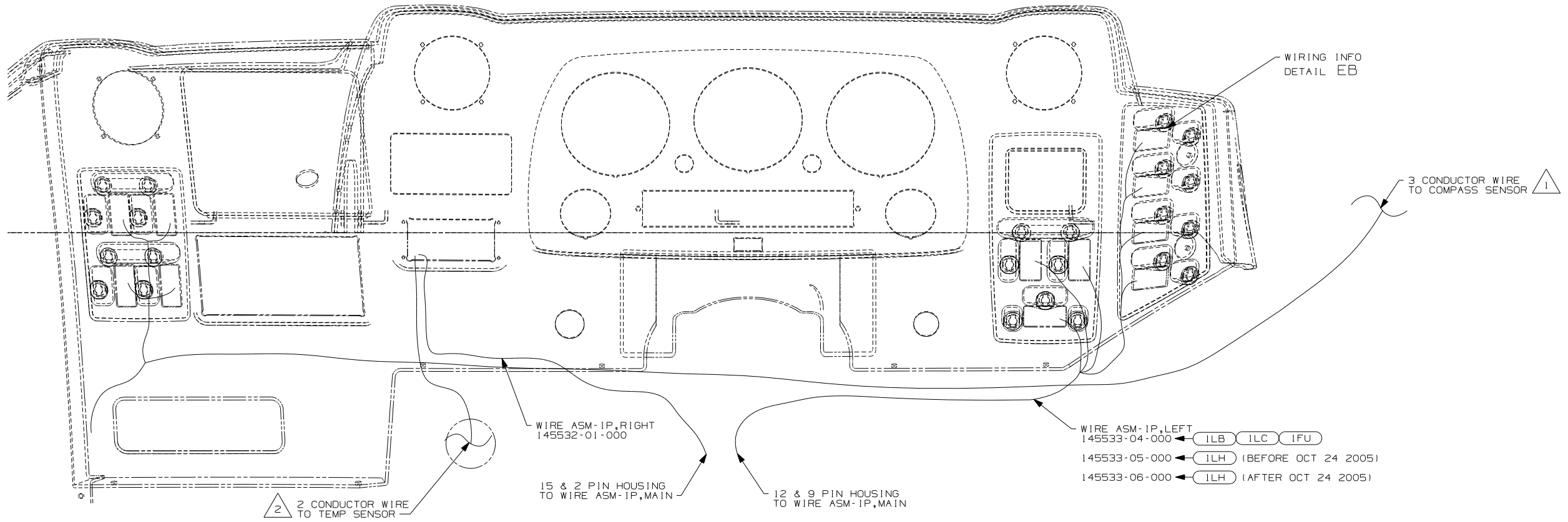
FIRST USED	06 S&R-SER	
TITLE:	DO NOT SCALE DRAWING	
	WIRING INSTL-FRONT END	
SHEET 3	PART NO	152099



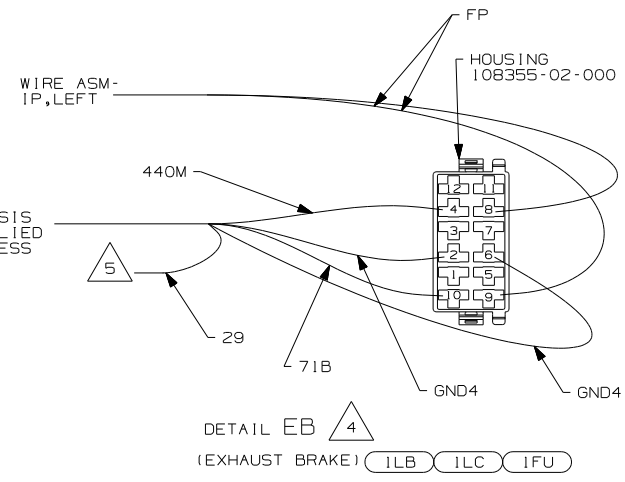
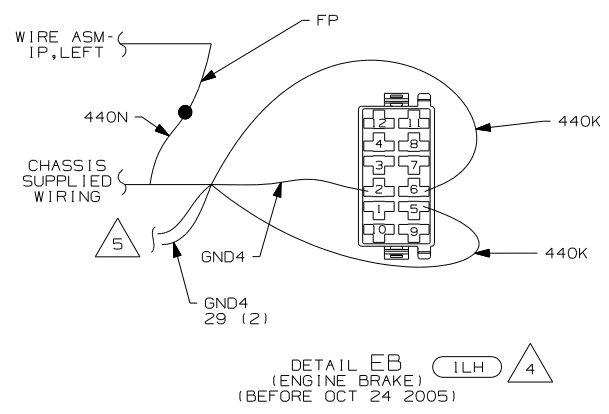
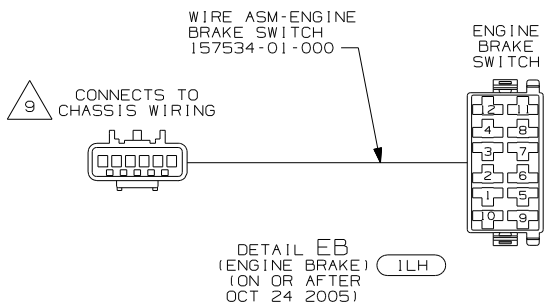
FOR ELECTRICAL TORQUE SPECIFICATIONS SEE DWG NO. 128783-01-000

(X-X) FOR ELECTRICAL CALLOUTS SEE DWG NO. 121339-01-000

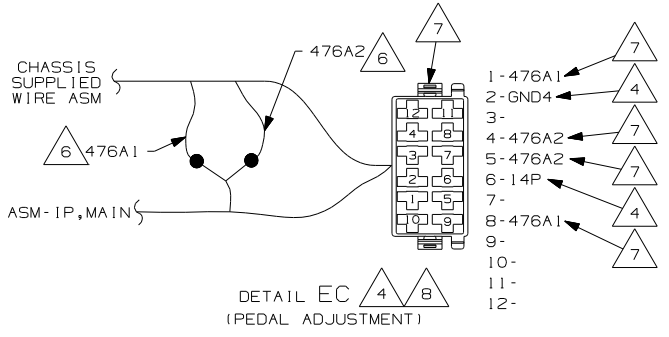
FIRST USED		06 S&R-SER	
DO NOT SCALE DRAWING			
TITLE: WIRING INSTL-FRONT END			
SHEET 4	PART NO	152099	REV



VIEW EA



- 9 CHASSIS WIRING HAS MATING CONNECTOR & IS LABELED "ENGINE BRAKE SWITCH."
- 8 S-SERIES ONLY
- 7 HOUSING AND CIRCUITS 476A1 & 476A2 ARE PART OF WIRE ASM-IP,MAIN.
- 6 CUT TERMINAL FROM CHASSIS WIRE AND BUTT CONNECT TO WIRE ASM-IP,MAIN AS SHOWN.
- 5 CIRCUITS NOT USED. CUT OFF TERMINALS, WRAP WIRE WITH TAPE, AND SECURE BACK INTO LOOM.
- 4 REMOVE TERMINALS FROM HOUSING ON CHASSIS SUPPLIED WIRE ASM. THEN REHOUSE TERMINALS IN HOUSING AS SHOWN.
- 3 CUT TERMINALS OFF FL WIRE ASSEMBLY AND BUTT SPLICE.
- 2 ROUTE OUT FRONT END W/WIRE ASM-IP,MAIN.
- 1 ROUTE UP LEFT A-PILLAR.

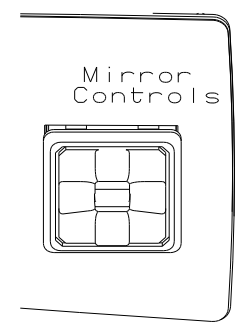
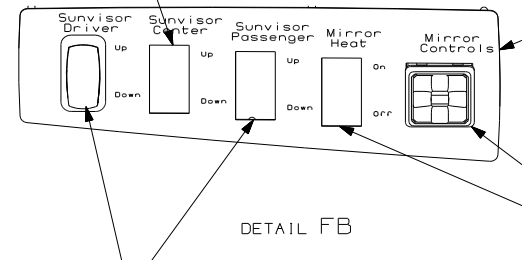
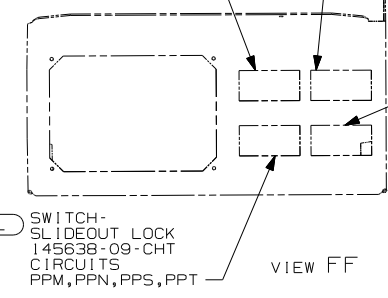
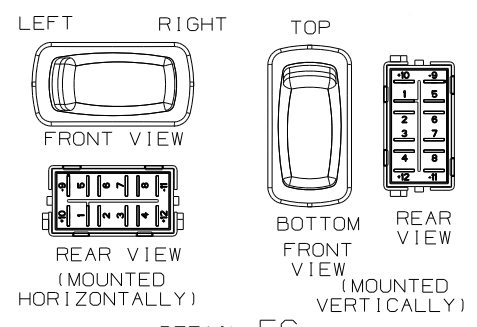
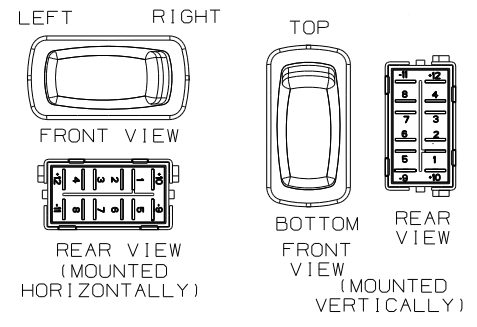
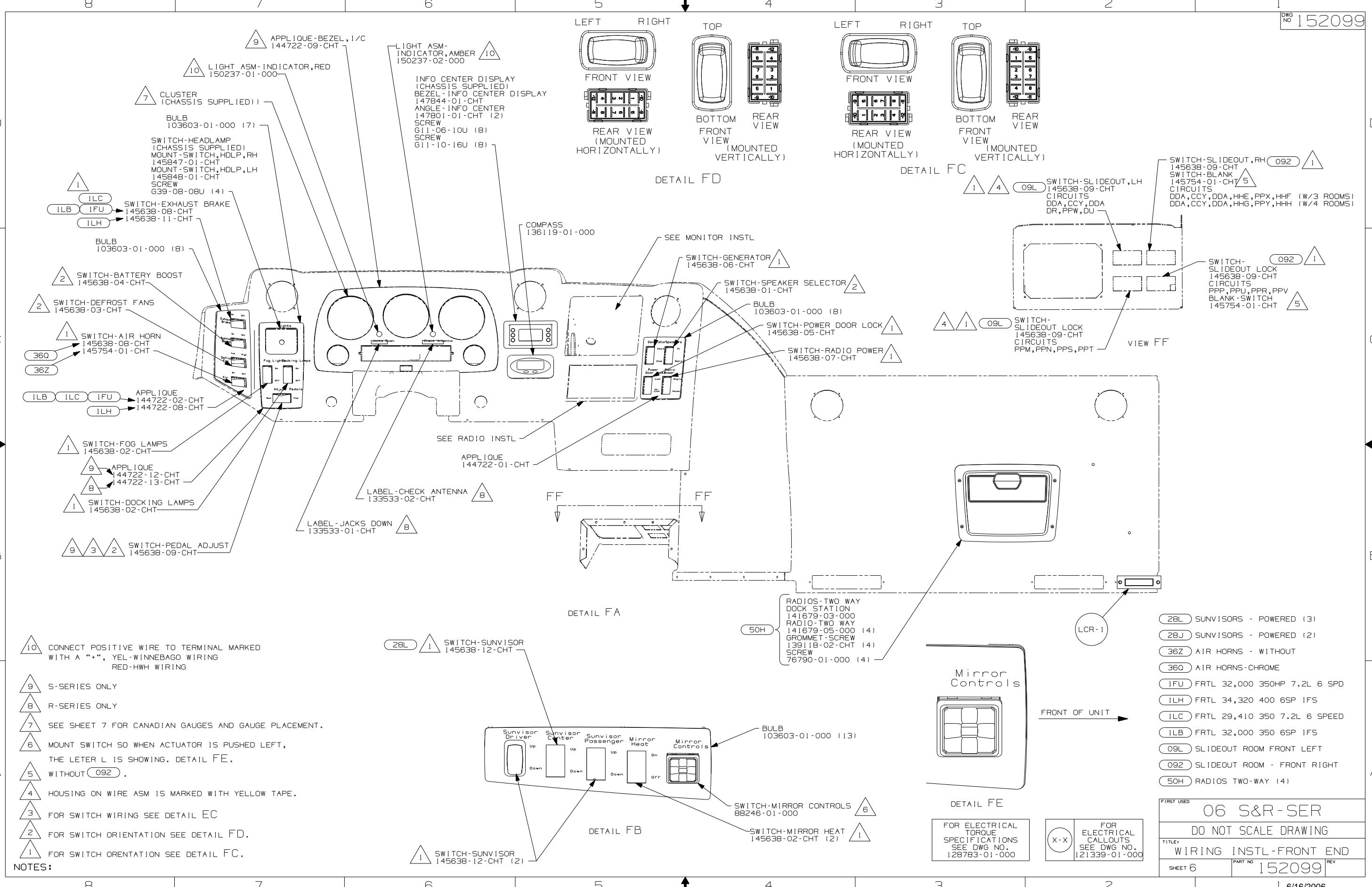


- IFU FRTL 32,000 350HP 7.2L 6 SPD
- ILH FRTL 34,320 400 6SP IFS
- ILC FRTL 29,410 350 7.2L 6 SPEED
- ILB FRTL 32,000 350 6SP IFS

FIRST USED	
06 S&R-SER	
DO NOT SCALE DRAWING	
TITLE: WIRING INSTL-FRONT END	
SHEET 5	PART NO 152099 REV

FOR ELECTRICAL TORQUE SPECIFICATIONS SEE DWG NO. 128783-01-000

(X-X) FOR ELECTRICAL CALLOUTS SEE DWG NO. 121339-01-000



- NOTES:
- 10 CONNECT POSITIVE WIRE TO TERMINAL MARKED WITH A "+", YEL-WINNEBAGO WIRING RED-HWH WIRING
 - 9 S-SERIES ONLY
 - 8 R-SERIES ONLY
 - 7 SEE SHEET 7 FOR CANADIAN GAUGES AND GAUGE PLACEMENT.
 - 6 MOUNT SWITCH SO WHEN ACTUATOR IS PUSHED LEFT, THE LETTER L IS SHOWING. DETAIL FE.
 - 5 WITHOUT (092).
 - 4 HOUSING ON WIRE ASM IS MARKED WITH YELLOW TAPE.
 - 3 FOR SWITCH WIRING SEE DETAIL EC
 - 2 FOR SWITCH ORIENTATION SEE DETAIL FD.
 - 1 FOR SWITCH ORIENTATION SEE DETAIL FC.

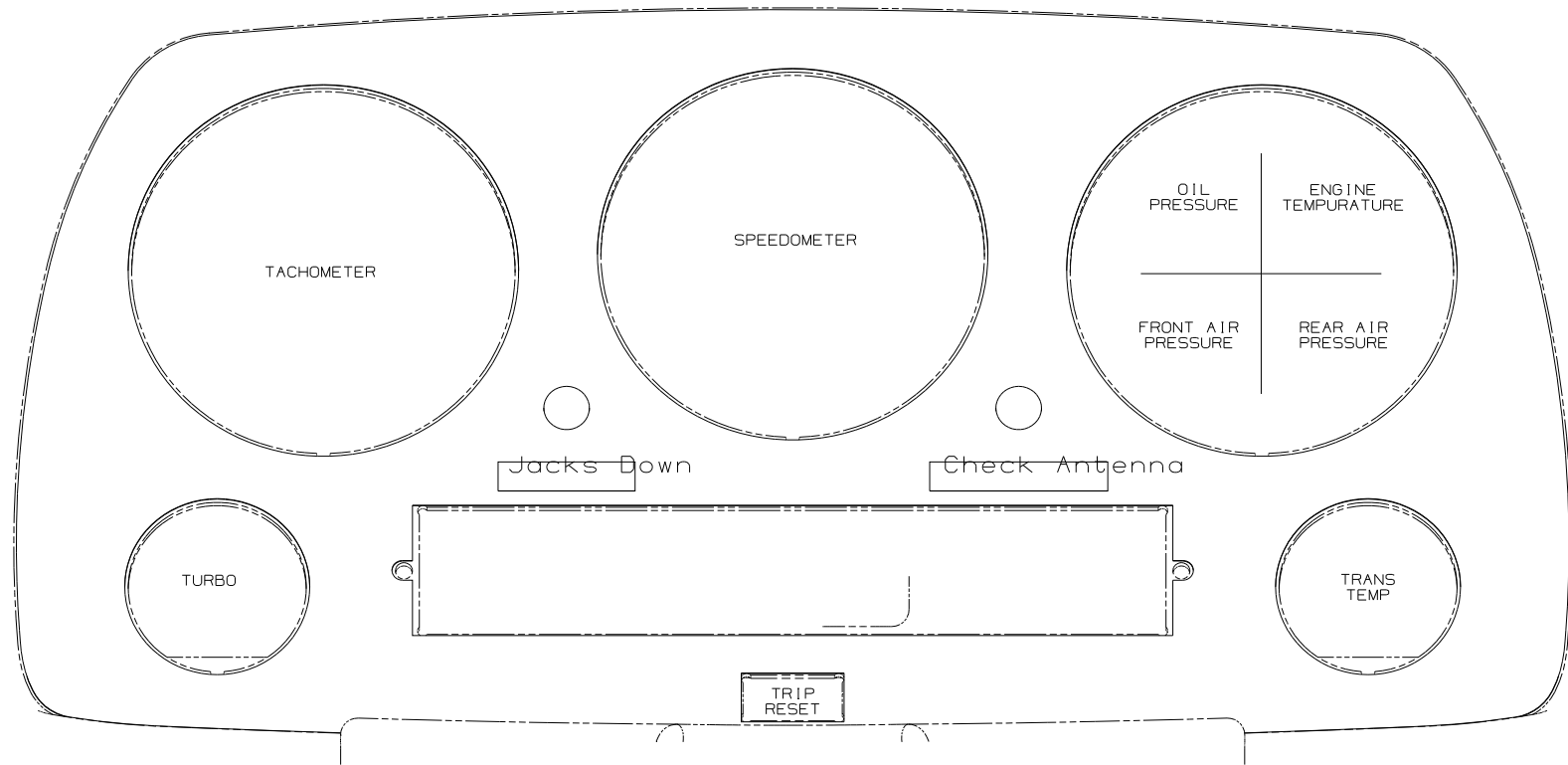
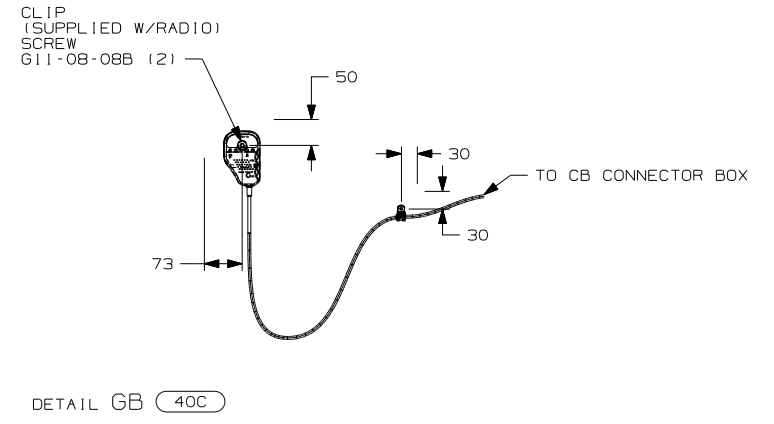
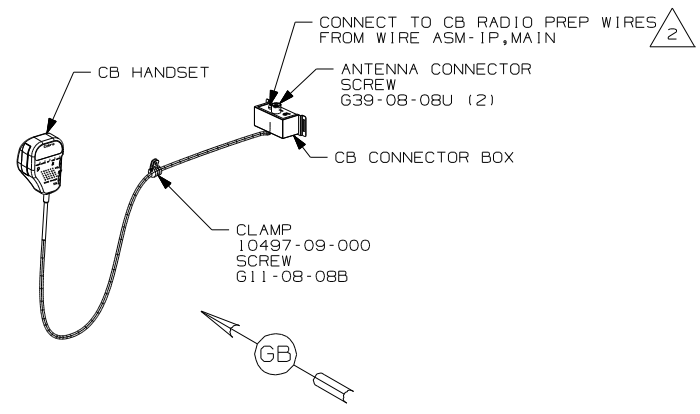
- (092) SWITCH-SLIDEOUT, RH 145638-09-CHT
- (5) SWITCH-BLANK 145754-01-CHT
- CIRCUITS DDA, CCY, DDA, HHE, PPX, HHF (W/3 ROOMS)
- DDA, CCY, DDA, HHG, PPY, HHH (W/4 ROOMS)
- (092) SWITCH-SLIDEOUT LOCK 145638-09-CHT
- (5) SWITCH-SLIDEOUT LOCK 145638-09-CHT
- CIRCUITS PPP, PPU, PPR, PPV
- BLANK-SWITCH 145754-01-CHT

- (28L) SUNVISORS - POWERED (3)
- (28J) SUNVISORS - POWERED (2)
- (36Z) AIR HORNS - WITHOUT
- (360) AIR HORNS-CHROME
- (1FU) FRTL 32,000 350HP 7.2L 6 SPD
- (1LH) FRTL 34,320 400 6SP 1FS
- (1LC) FRTL 29,410 350 7.2L 6 SPEED
- (1LB) FRTL 32,000 350 6SP 1FS
- (09L) SLIDEOUT ROOM FRONT LEFT
- (092) SLIDEOUT ROOM - FRONT RIGHT
- (50H) RADIOS TWO-WAY (4)

FOR ELECTRICAL TORQUE SPECIFICATIONS SEE DWG NO. 128783-01-000

FOR ELECTRICAL CALLOUTS SEE DWG NO. 121339-01-000

FIRST USED	06 S&R-SER	
TITLE:	DO NOT SCALE DRAWING	
	WIRING INSTL-FRONT END	
SHEET 6	PART NO 152099	REV



2 CONNECT RED FROM CONNECTOR BOX TO YELLOW IN IP, MAIN AND BLK/RED TO WHITE.

1. ALL STANDARD GAUGES, RETAINER CLIPS AND FASTENERS ARE CHASSIS SUPPLIED.

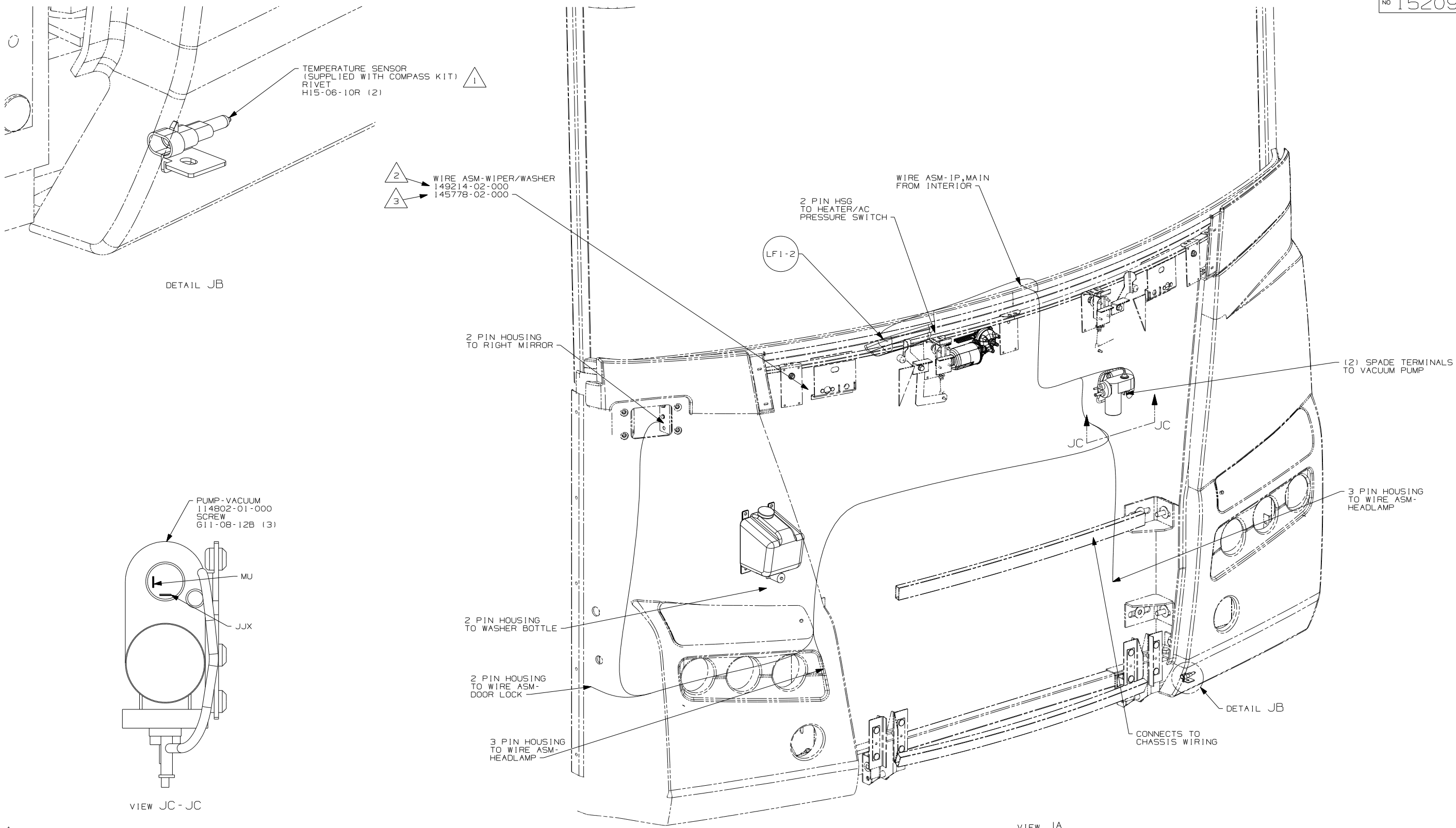
NOTES:

FOR ELECTRICAL TORQUE SPECIFICATIONS SEE DWG NO. 128783-01-000

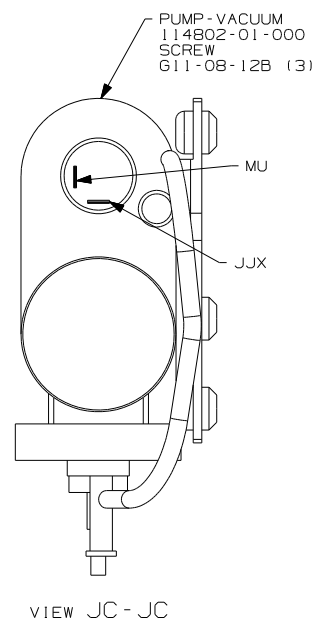
(X-X) FOR ELECTRICAL CALLOUTS SEE DWG NO. 121339-01-000

40C RADIO - CB

FIRST USED	06 S&R-SER
TITLE	DO NOT SCALE DRAWING
TITLE	WIRING INSTL-FRONT END
SHEET 7	PART NO 152099 REV



DETAIL JB



VIEW JC-JC

VIEW JA (CENTER PANEL REMOVED)

- NOTES:
- 3 S-SERIES ONLY.
 - 2 R-SERIES AND ITASCA AFTER 11-28-05 (ONE PIECE WINDSHIELD)
 - 1 DRILL 5MM HOLE IN LOWER LIP OF FIBERGLASS IN AREA SHOWN.

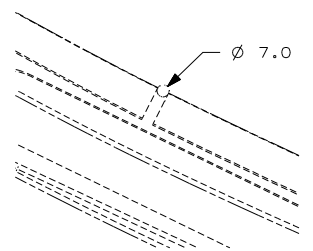
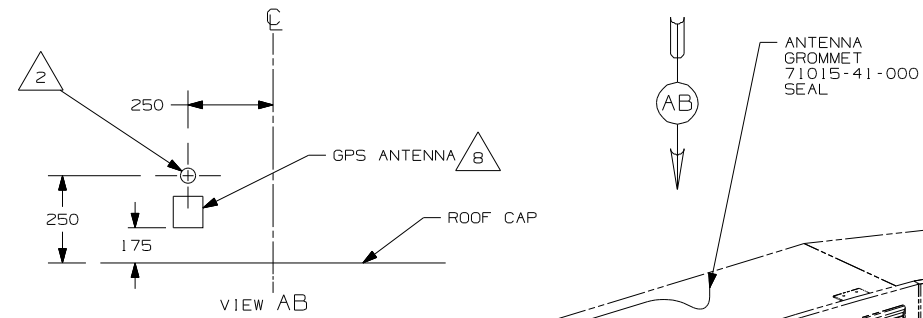
FOR ELECTRICAL TORQUE SPECIFICATIONS SEE DWG NO. 128783-01-000

X-X FOR ELECTRICAL CALLOUTS SEE DWG NO. 121339-01-000

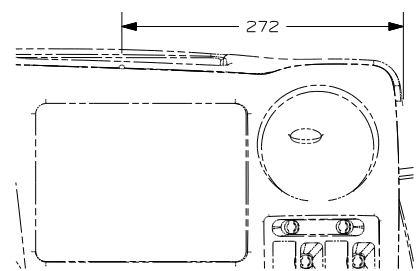
FIRST USED		IB1 265	
06 S&R-SER			
DO NOT SCALE DRAWING			
TITLE: WIRING INSTL-FRONT END			
SHEET 9	PART NO	152099	REV

DRAWING NO.	MODEL	SHEET
152094-01	R & S SERIES	1,5
152094-02	P-SERIES	2,5
152094-03	G-SERIES	3,5
152094-04	F-SERIES	4,5

RELEASE	REV/DATE	DWG NO
	A	152094
REV ZONE	REVISION RECORD	DATE DFR-ORIG



DETAIL AA
(TOP VIEW)



DETAIL AA

- 11 5 GPS-NAVIGATION SYST,DVD
137424-01-000
- FASTENER-DUAL LOCK
85774-01-000 (300 MM)
- 85774-02-000 (300 MM)

- 3 SCREW
G39-08-08E

- 10 6 MONITOR-LCD,COLOR 6.5"
- 137424-07-000
- 137424-06-000
- BRACKET ASM-MONITOR
137424-04-000
- SCREW
G11-08-08T (5)

- 1 AV INTERFACE UNIT
FASTENER-DUAL LOCK
085774-01-000 (300MM)
- 085774-02-000 (300MM)

- 10 CABLE-RCA,MALE-MALE

SEE DETAIL AA
FOR HOLE LOCATION
FOR CABLE ROUTING

CABLE ASM-MONITOR,SONY

REMOTE CONTROL 7

6 PIN HOUSING
TO WIRE ASM-IP,MAIN

- 52T CD CHANGER-10 DISC
- 15D GPS-NAVIGATION SYSTEM

- 15D



DFTR	ORIG. DATE
CHKR	ALL DIMENSIONS ARE IN MILLIMETERS
P.E.	FIRST USED
M.E.	06 S-SER
DSNR	

UNSPECIFIED TOLERANCES ARE:	MATERIAL:
HOLE DIM (X)	
ONE-PLACE (X,X)	1
TWO-PLACE (X,XX)	
ANGLE	
THIRD ANGLE PROJECTION	

DO NOT SCALE DRAWING

TITLE:	WIRING INSTL-GPS
SHEET 1 of 5	PART NO 152094

REF: 1 6/15/2006

11 MOUNT GPS-NAVIGATION SYST. IN OVERHEAD AS FAR TO THE LEFT AS POSSIBLE. WITH 52T MOUNT GPS-NAVIGATION SYST. TO THE RIGHT OF THE CD CHANGER AS FAR TO THE LEFT AS POSSIBLE.

10 S-SERIES ONLY

9 R-SERIES ONLY

8 CLEAN ROOF & ANTENNA AND USE TAPE-FOAM,DBL 076322-05 TO ATTACH ANTENNA TO ROOF.

7 MOUNT REMOTE WITH WITH SUPPLIED BRACKET AND SCREWS.

6 MOUNT MONITOR SO IT IS CENTERED IN RECESSED AREA ON DASH.

5 LOAD MAP DVD INTO PLAYER AND SAVE DVD CASE AND DOCUMENTATION WITH OWNER'S MANUAL.

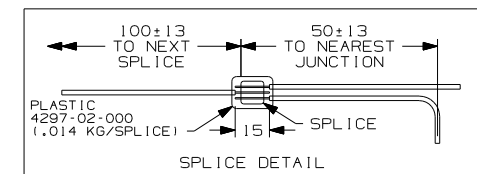
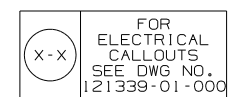
4 SEE SHEET 5 FOR SPLICING INFORMATION.

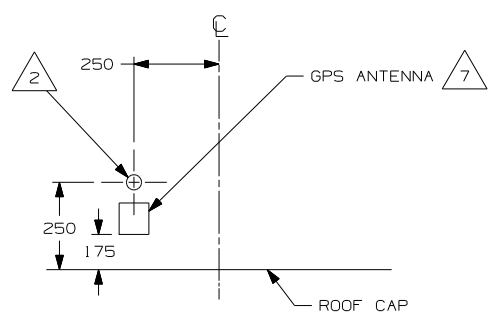
3 PULL BLACK WIRE FROM LOOM AND SCREW TO STEEL SIDE-PANEL OF OVHD.

2 DRILL 15MM HOLE IN FIBERGLASS ROOF CAP AND SLIDE ANTENNA WIRE INTO GROMMET AND SEAL.

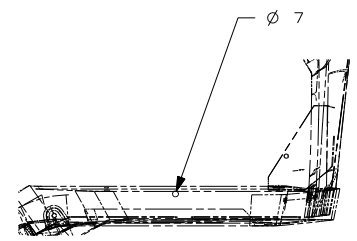
1 AV INTERFACE UNIT COMES WITH MONITOR-LCD,COLOR 6.5"

NOTES:

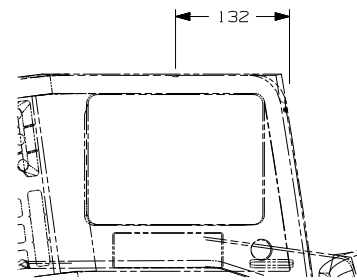




VIEW BB



DETAIL BA (TOP VIEW)



DETAIL BA

GPS-NAVIGATION SYST,DVD
 137424-01-000
 FASTENER-DUAL LOCK
 85774-01-000 (300 MM)
 85774-02-000 (300 MM)

ANTENNA GROMMET
 71015-41-000
 SEAL

SCREW
 639-08-08E

MONITOR-LCD,COLOR 6.5"
 137424-06-000
 BRACKET ASM-MONITOR
 137424-04-000
 SCREW
 611-08-08T (5)

AV INTERFACE UNIT
 FASTENER-DUAL LOCK
 085774-01-000 (300MM)
 085774-02-000 (300MM)

6 PIN HOUSING
 TO WIRE ASM-IP,MAIN

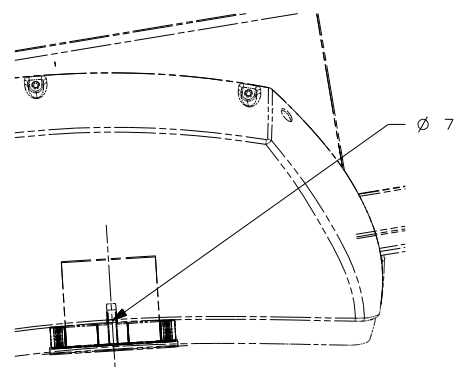
SEE DETAIL BA
 FOR HOLE LOCATION
 FOR CABLE ROUTING

- 8 MOUNT GPS-NAVIGATION SYST. IN OVERHEAD AS FAR TO THE LEFT AS POSSIBLE. WITH (52T) MOUNT GPS-NAVIGATION SYST. TO THE RIGHT OF THE CD CHANGER AS FAR TO THE LEFT AS POSSIBLE.
- 7 CLEAN ROOF & ANTENNA AND USE TAPE-FOAM,DBL 076322-05 TO ATTACH ANTENNA TO ROOF.
- 6 MOUNT MONITOR SO IT IS CENTERED ABOVE REAR MONITOR.
- 5 LOAD MAP DVD INTO PLAYER AND SAVE DVD CASE AND DOCUMENTATION WITH OWNER'S MANUAL.
- 4 SEE SHEET 5 FOR SPLICING INFORMATION.
- 3 PULL BLACK WIRE FROM LOOM AND SCREW TO STEEL SIDE-PANEL OF OVHD.
- 2 DRILL 15MM HOLE IN FIBERGLASS ROOF CAP AND SLIDE ANTENNA WIRE INTO GROMMET AND SEAL.
- 1 AV INTERFACE UNIT COMES WITH MONITOR-LCD,COLOR 6.5"

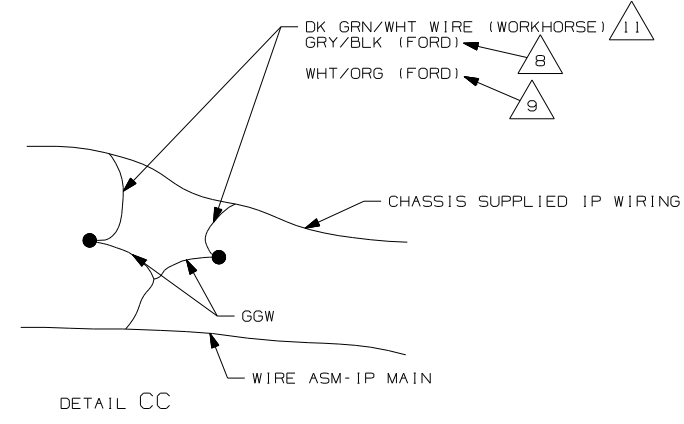
NOTES:

- (52T) CD CHANGER-10 DISC
- (15D) GPS-NAVIGATION SYSTEM

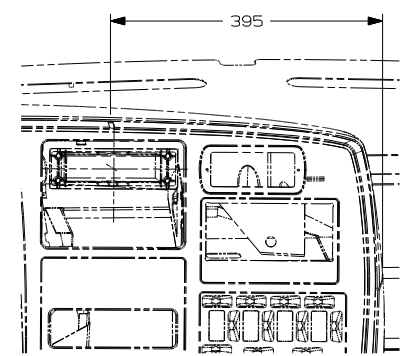
FIRST USED		06 P-SER	
DO NOT SCALE DRAWING			
TITLE: WIRING INSTL-GPS			
SHEET 2	PART NO	152094	REV



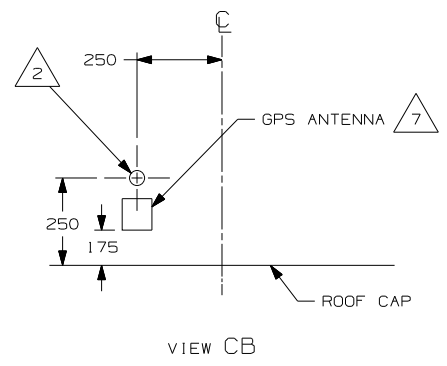
DETAIL CA (TOP VIEW)



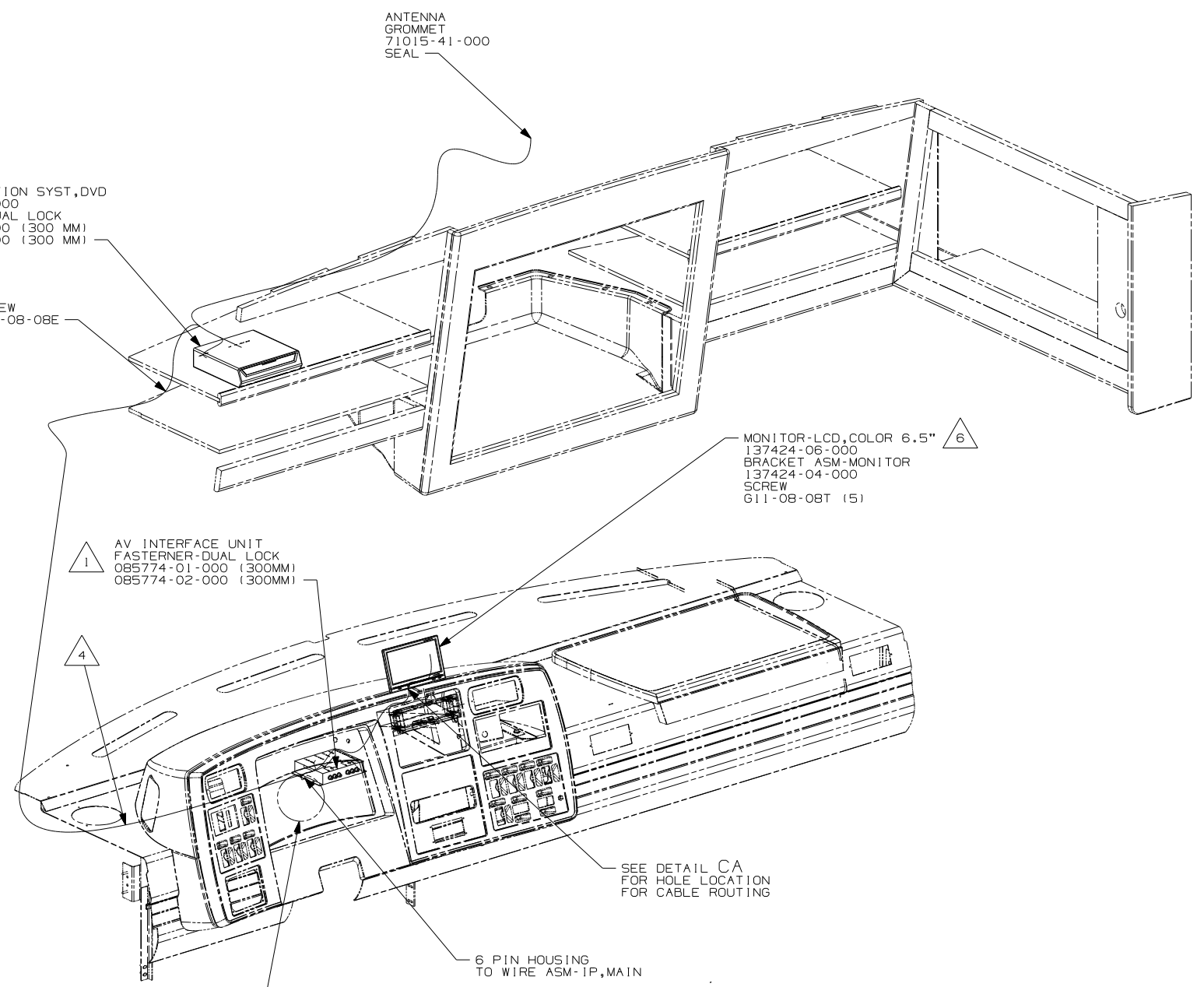
DETAIL CC



DETAIL CA



VIEW CB

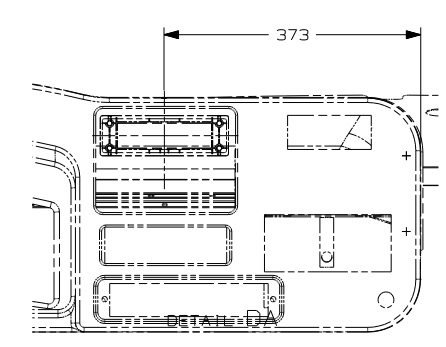
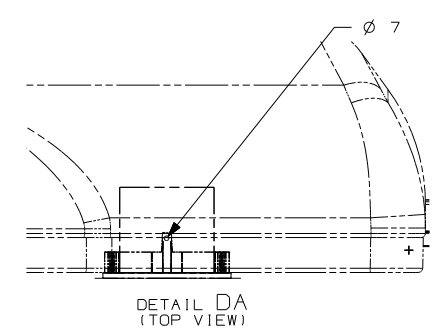
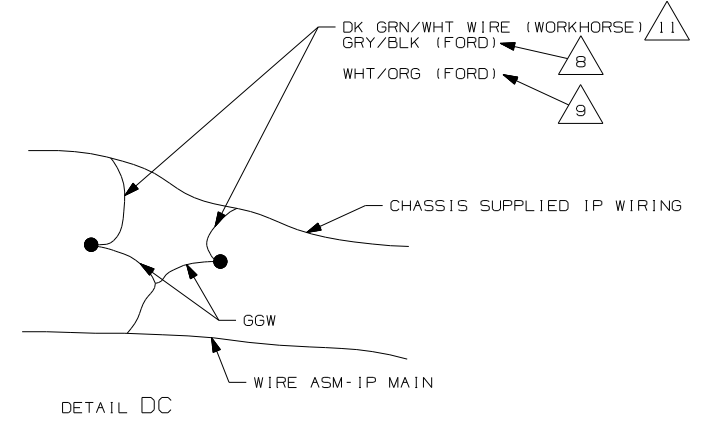
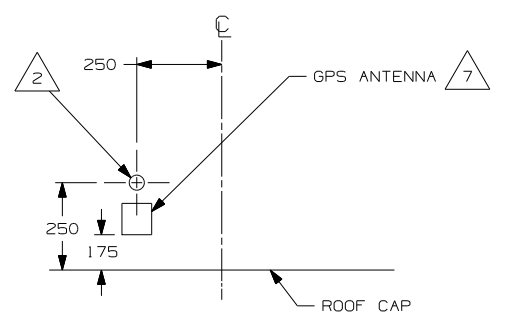


- 11 2005 WORKHORSE SHOWN. FOR 2006 WORKHORSE, CONNECT GGW TO BROWN WIRE WITH 1 PIN CONNECTOR LABELED "GPS SPD SIG" LOCATED BELOW & LEFT OF STEERING COLUMN SUPPORT.
- 10 MOUNT GPS-NAVIGATION SYST. IN OVERHEAD AS FAR TO THE LEFT AS POSSIBLE. WITH (52T) MOUNT GPS-NAVIGATION SYST. TO THE RIGHT OF THE CD CHANGER AS FAR TO THE LEFT AS POSSIBLE.
- 9 2006 FORD CHASSIS. CONNECT GGW TO WHT/ORG WIRE LABELED "VS OUTPUT" LOCATED ABOVE STEERING COLUMN SUPPORT.
- 8 2005 FORD CHASASIS FROM PIN 7 OF 16 PIN FORD CONNECTOR.
- 7 CLEAN ROOF & ANTENNA AND USE TAPE-FOAM, DBL 076322-05 TO ATTACH ANTENNA TO ROOF.
- 6 MOUNT MONITOR SO IT IS CENTERED ABOVE REAR MONITOR.
- 5 LOAD MAP DVD INTO PLAYER AND SAVE DVD CASE AND DOCUMENTATION WITH OWNER'S MANUAL.
- 4 SEE SHEET 5 FOR SPLICING INFORMATION.
- 3 PULL BLACK WIRE FROM LOOM AND SCREW TO STEEL SIDE-PANEL OF OVHD.
- 2 DRILL 15MM HOLE IN FIBERGLASS ROOF CAP AND SLIDE ANTENNA WIRE INTO GROMMET AND SEAL.
- 1 AV INTERFACE UNIT COMES WITH MONITOR-LCD, COLOR 6.5"

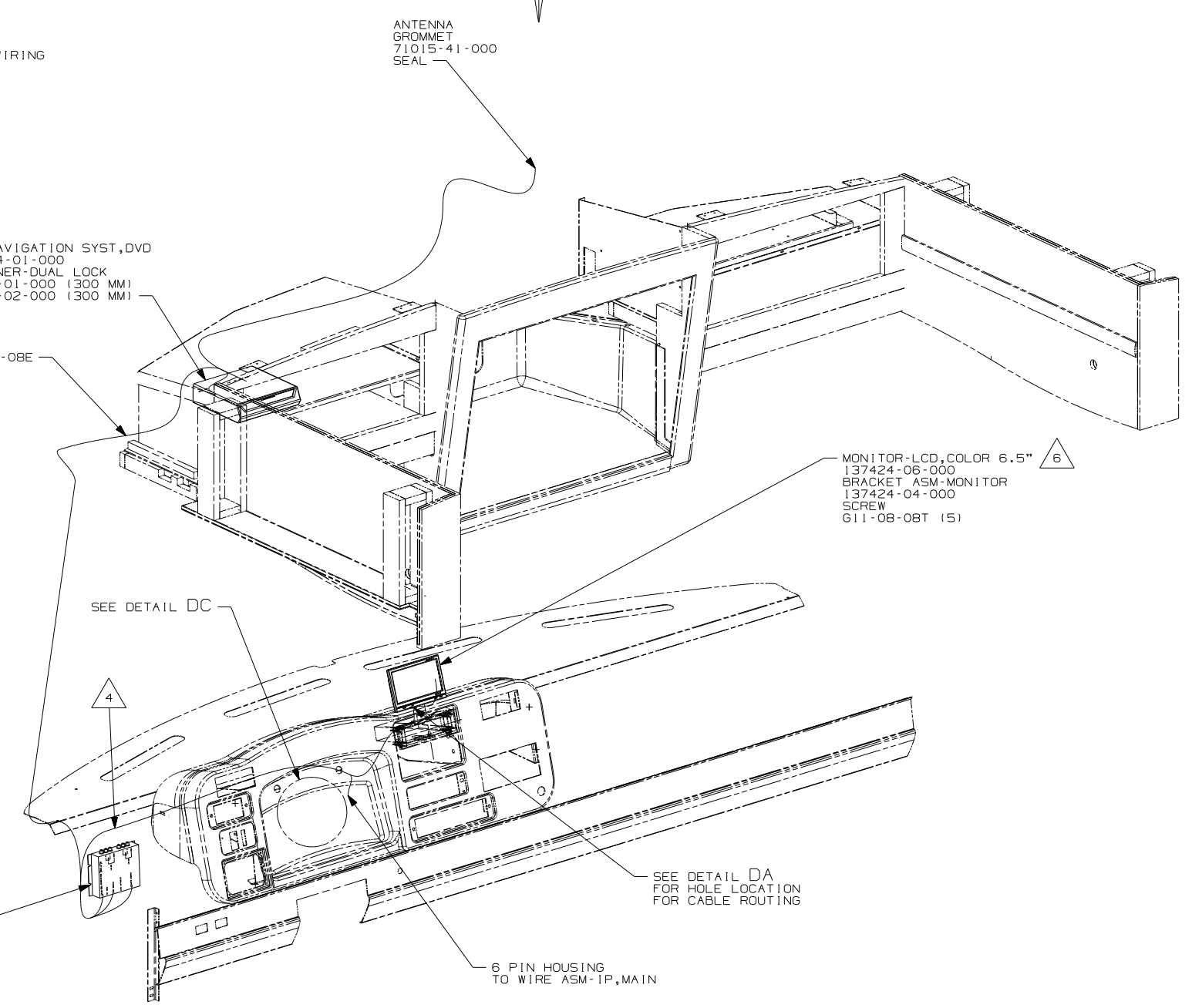
NOTES:

- (52T) CD CHANGER-10 DISC
- (15D) GPS-NAVIGATION SYSTEM

FIRST USED	06 G-SER	
TITLE	DO NOT SCALE DRAWING	
TITLE	WIRING INSTL-GPS	
SHEET 3	PART NO	152094
REV		



- 11 GPS-NAVIGATION SYST,DVD
137424-01-000
FASTENER-DUAL LOCK
85774-01-000 (300 MM)
85774-02-000 (300 MM)
- 10 SCREW
639-08-08E
- 5



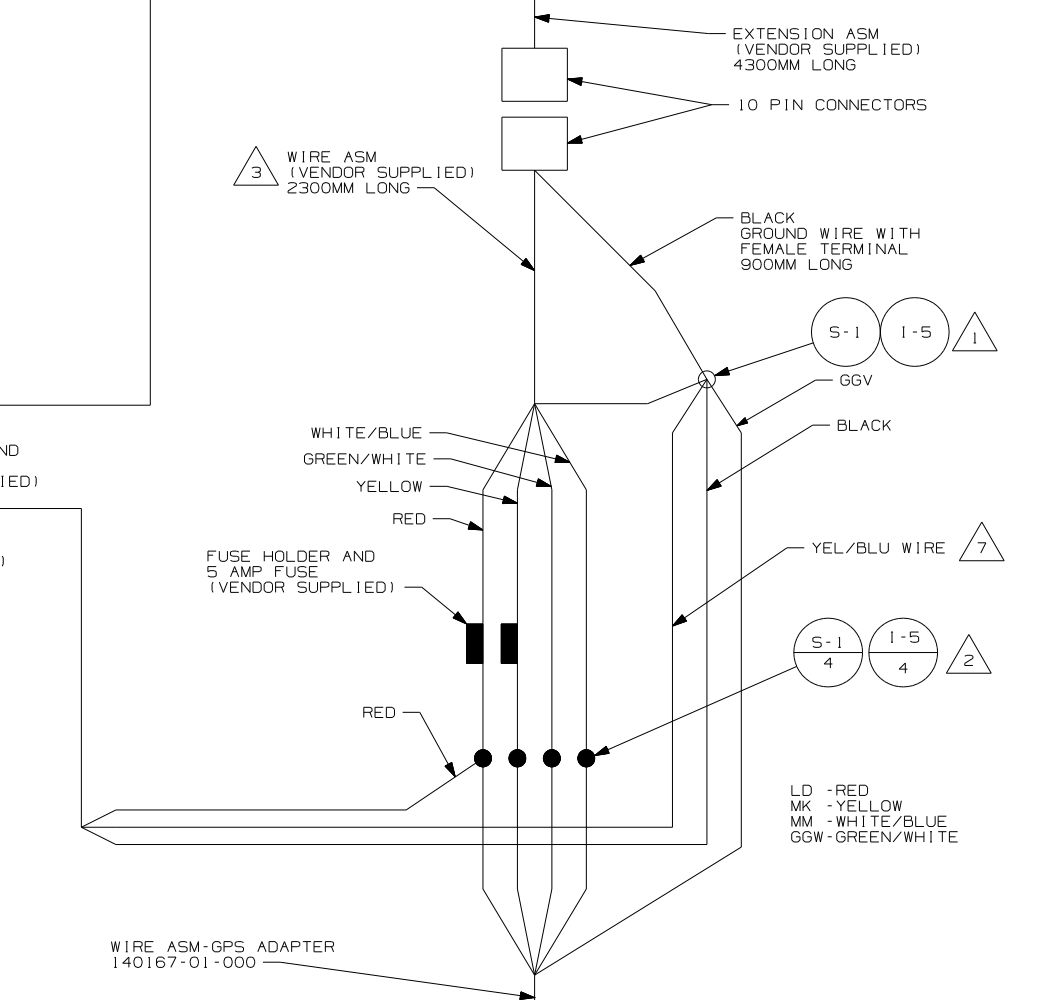
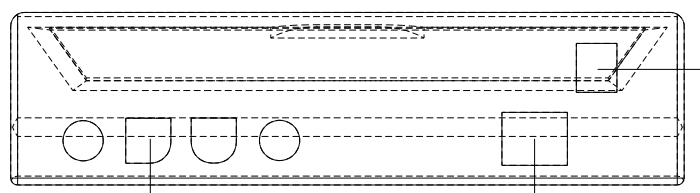
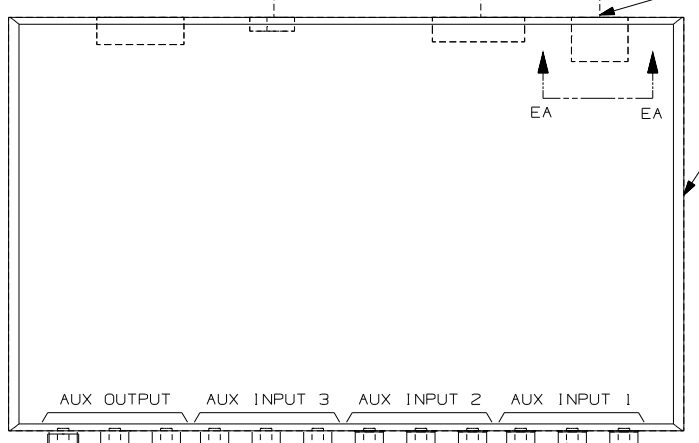
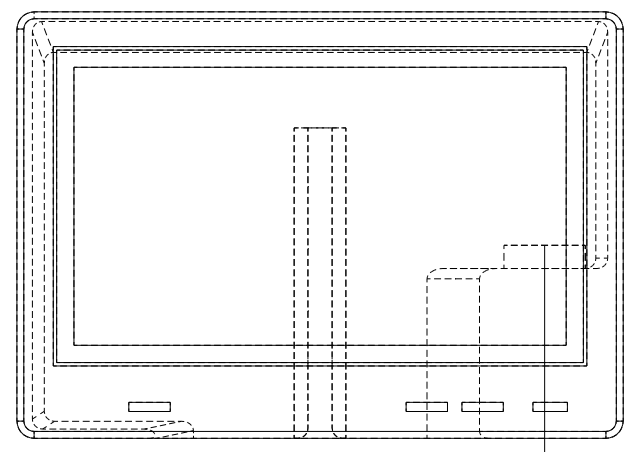
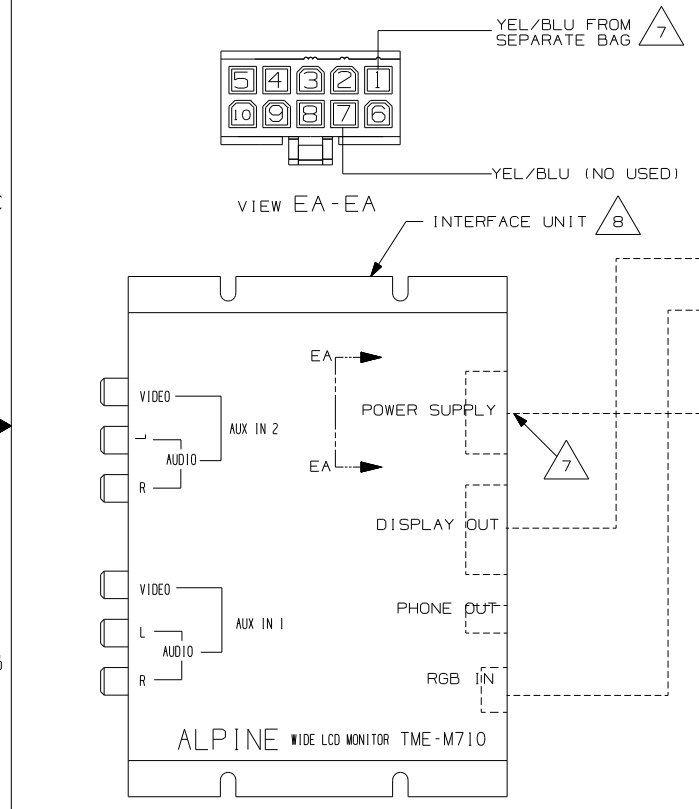
- 11 2005 WORKHORSE SHOWN. FOR 2006 WORKHORSE, CONNECT GGW TO BROWN WIRE WITH 1 PIN CONNECTOR LABELED "GPS SPD SIG" LOCATED BELOW & LEFT OF STEERING COLUMN SUPPORT.
- 10 MOUNT GPS-NAVIGATION SYST. IN OVERHEAD AS FAR TO THE LEFT AS POSSIBLE. WITH (52T) MOUNT GPS-NAVIGATION SYST. TO THE RIGHT OF THE CD CHANGER AS FAR TO THE LEFT AS POSSIBLE.
- 9 2006 FORD CHASSIS. CONNECT GGW TO WHT/ORG WIRE LABELED "VS OUTPUT" LOCATED ABOVE STEERING COLUMN SUPPORT.
- 8 2005 FORD CHASSIS. FROM PIN 7 OF 16 PIN FORD CONNECTOR.
- 7 CLEAN ROOF & ANTENNA AND USE TAPE-FOAM,DBL 076322-05 TO ATTACH ANTENNA TO ROOF.
- 6 MOUNT MONITOR SO IT IS CENTERED ABOVE REAR MONITOR.
- 5 LOAD MAP DVD INTO PLAYER AND SAVE DVD CASE AND DOCUMENTATION WITH OWNER'S MANUAL.
- 4 SEE SHEET 5 FOR SPLICING INFORMATION.
- 3 PULL BLACK WIRE FROM LOOM AND SCREW TO STEEL SIDE-PANEL OF OVHD.
- 2 DRILL 15MM HOLE IN FIBERGLASS ROOF CAP AND SLIDE ANTENNA WIRE INTO GROMMET AND SEAL.
- 1 AV INTERFACE UNIT COMES WITH MONITOR-LCD,COLOR 6.5"

NOTES:

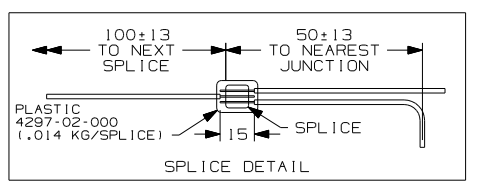
- (52T) CD CHANGER-10 DISC
- (15D) GPS-NAVIGATION SYSTEM

FIRST USED	
06 F-SERIES	
DO NOT SCALE DRAWING	
TITLE: WIRING INSTL-GPS	
SHEET 4	PART NO 152094 REV

GPS CIRCUIT	FUNCTION	WIN CIRCUIT
YELLOW	BATTERY (+)	MK
BLACK	GROUND	GGV
RED	IGNITION (+)	LD
WHITE/BLUE	ILLUMINATION (+)	MM
ORANGE/WHITE	REVERSE LIGHTS (+)	NOT USED
GREEN/WHITE	VEHICLE SPEED SENSOR (VSS)	GGW
YELLOW/BLUE (PIN 7)	PARKING BRAKE (-)	NOT USED
PINK/SKY BLUE	IN-INT INTERRUPT (-) (AUDIO MUTE)	(NOT USED)
YELLOW/BLACK	FOOT BRAKE (+)	(NOT USED)
WHITE/BROWN	REMOTE	(NOT USED)



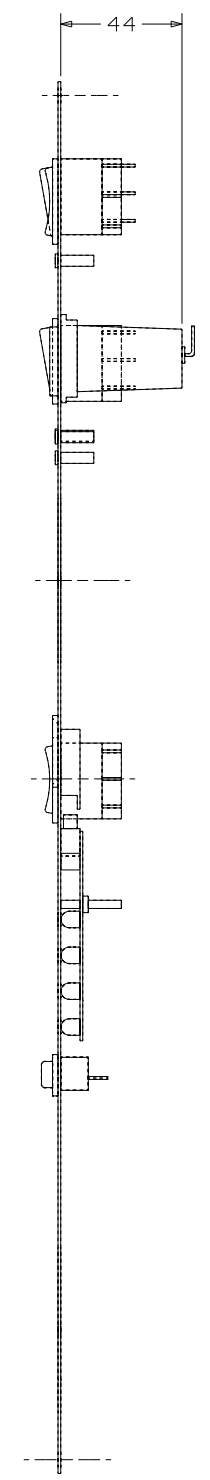
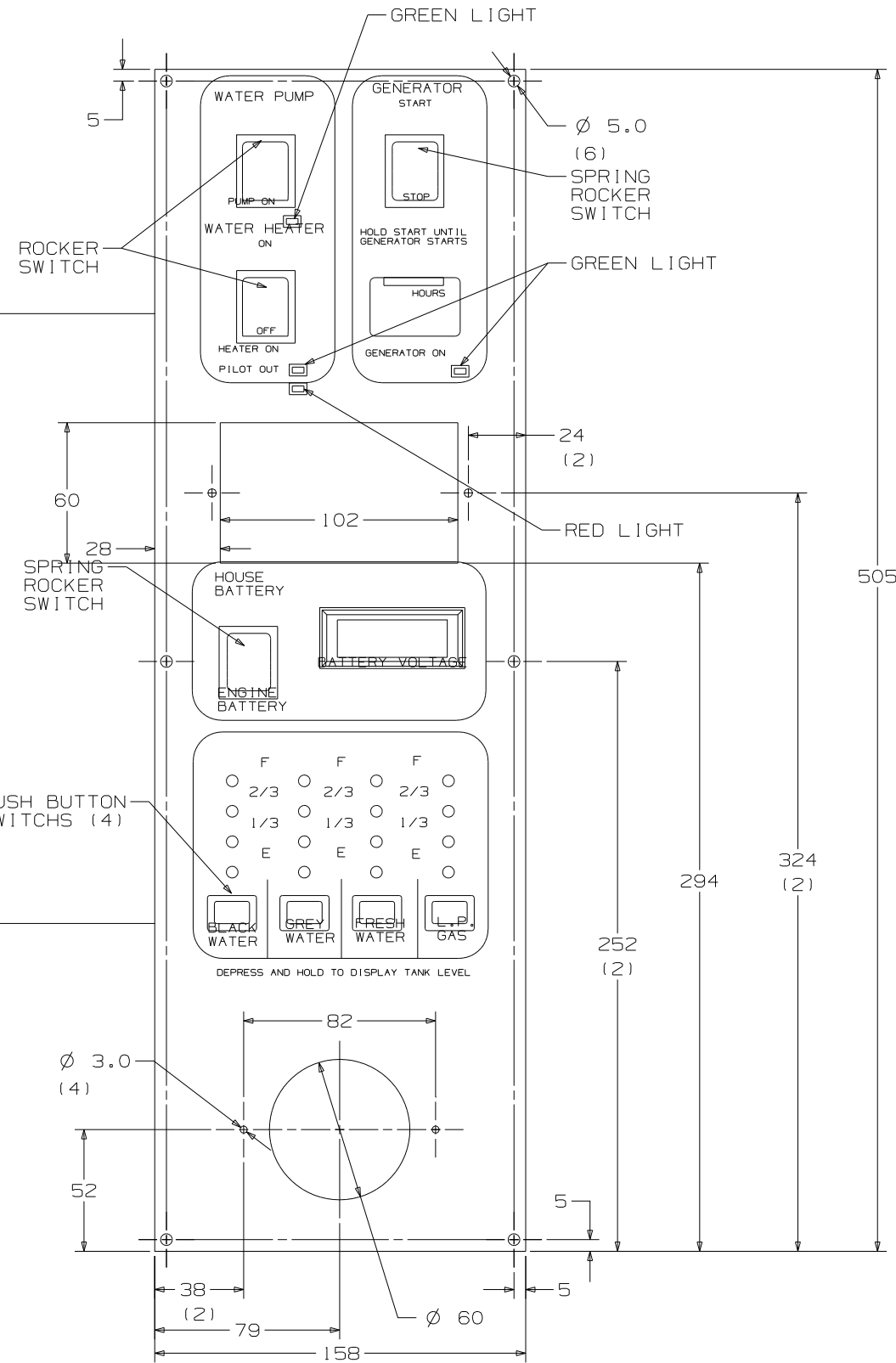
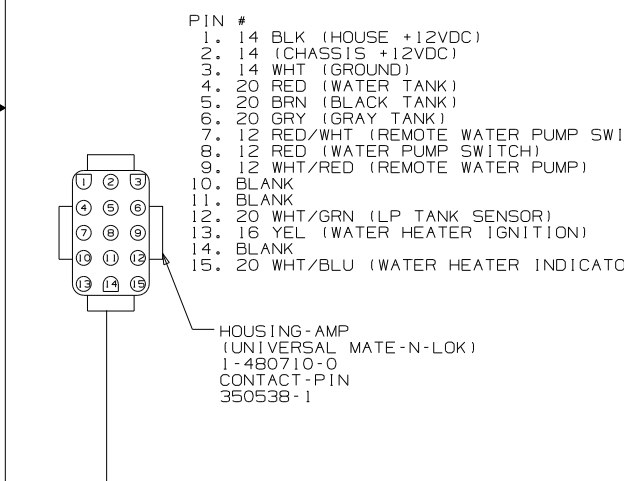
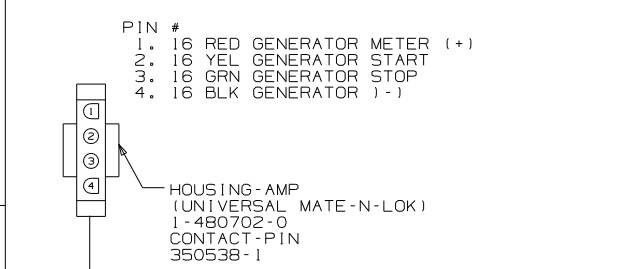
- NOTES:
- 8 USED ON R,P,G & F SERIES
 - 7 YEL/BLU WIRE IS SUPPLIED WITH MONITOR IN A SEPERATE BAG LABELED "REAR SEATE CONNECTOR" WITH A TERMINAL. INSERT TERMINAL INTO POSITION 1 OF ALPINE HOUSING & SPLICE TO GGV-GROUND WIRE. (NOTE: IT IS NOT THE SAME AS THE YEL/BLU FROM POSITION 7 IN ALPINE HOUSING.)
 - 6 USED ON THE S SERIES ONLY.
 - 5 WHITE CONNECTOR IS NOT USED. TAPE BACK INTO LOOM WITH TAPE 8363-01-000.
 - 4 CONNECT TOGETHER
 - 3 CUT WIRE ASM TO AVOID EXCESS WIRE BUNDLING AND TAPE UNUSED WIRES.
 - 2 CUT TERMINALS FROM VENDOR SUPPLIED WIRES AND SPLICE AS SHOWN.
 - 1 CUT RING TERMINAL FROM BLACK WIRE AND SPLICE AS SHOWN.



15D GPS-NAVIGATION SYSTEM	
15D	
FIRST USED 06 S-SER	
DO NOT SCALE DRAWING	
TITLE: WIRING INSTL-GPS	
SHEET 5	PART NO 152094 REV

DWG NO	SHEET	DESCRIPTION
133004-01	1	2TK,DIG VOLT
133004-02	2	2T,DIG VOLT,SOLAR
133004-03	3	2TK, W/SOL & PAN
133004-04	4	2TK, W/O WAT HEAT
133004-05	5,6,7	2T,SOLAR/SENSOR

RELEASE	REV DATE	DWG NO	133004
REV ZONE	REVISION RECORD	DATE	DFTR-0R16



- NOTES:
5. SWITCH RATING SHALL BE EMBOSSED ON THE SIDE OF THE 12V SWITCHES.
 4. CUTOUT FOR PANEL TO BE 135 X 350 MIN/
140 X 380 MAX.
 3. LETTERS ON MAIN HEADING TO BE 5MM HIGH.
 2. BLACK PANEL WITH WHITE GRAPHICS.
 1. SUGGESTED VENDOR: VENLINE.

SEE CHART
FOR COLOR VARIATIONS
OF THIS PART

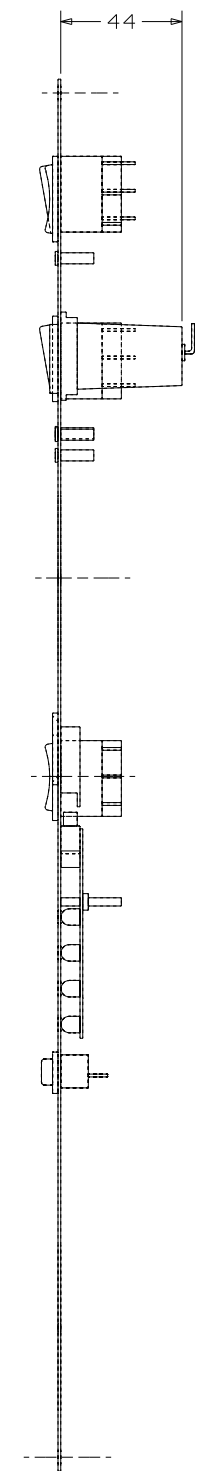
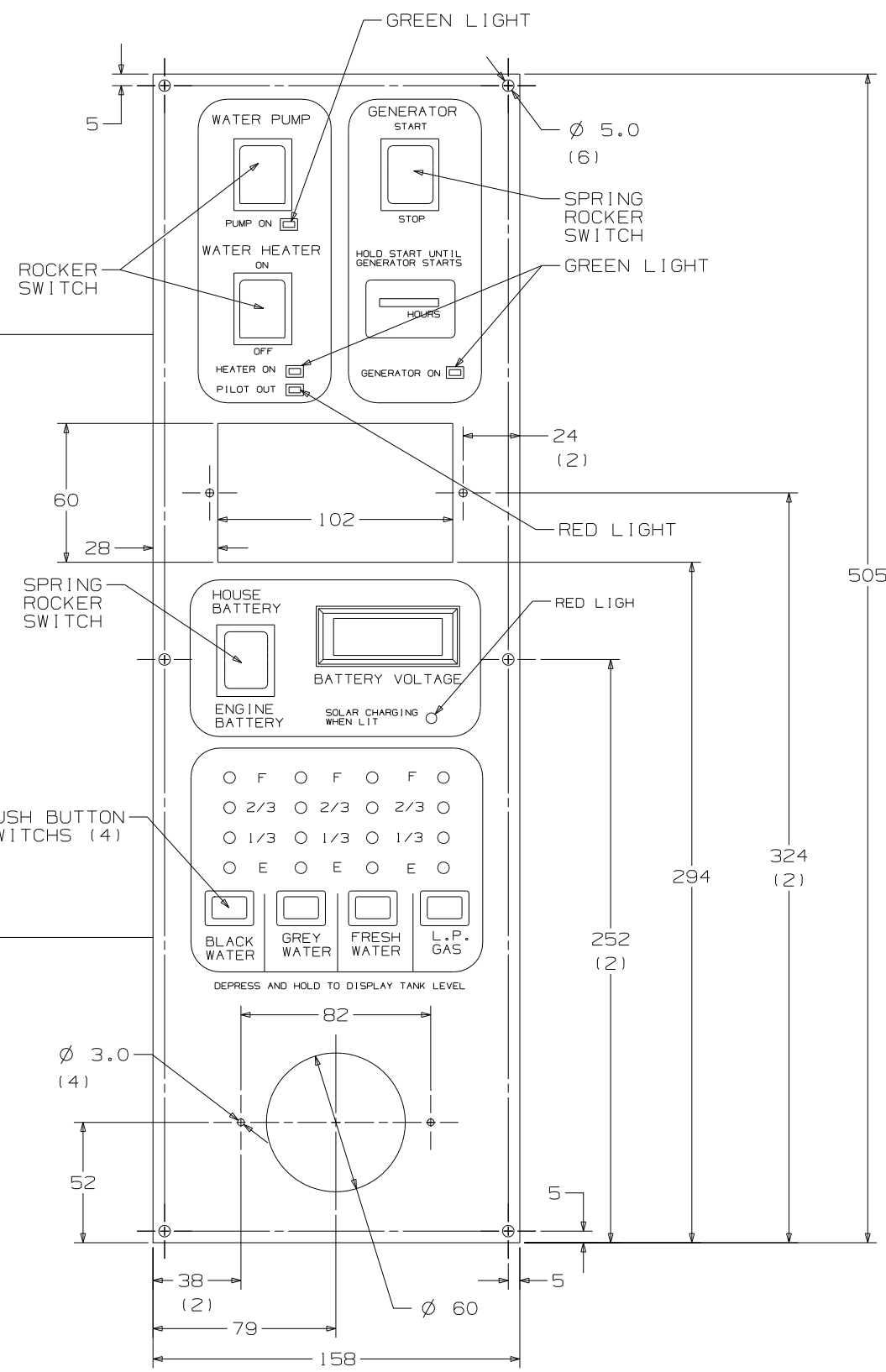
WINNEBAGO		COPYRIGHT 2004 WINNEBAGO INDUSTRIES, INC.	
DFTR	ORIG. DATE	ALL DIMENSIONS ARE IN MILLIMETERS	
CHKR		STANDARDS	
P.E.	FIRST USED		
M.E.			
DSNR			
UNSPECIFIED TOLERANCES ARE:		MATERIAL:	
WHOLE DIM (X)	: 1		
ONE-PLACE (X.X)	:		
TWO-PLACE (X.XX)	:		
ANGLE	:		
THIRD ANGLE PROJECTION			
DO NOT SCALE DRAWING			
TITLE:		PANEL-MONITOR	
SHEET 1 of 7	PART NO	133004	
REF:		1 07/08/2004	

- PIN #
- 1. 16 RED GENERATOR METER (+)
 - 2. 16 YEL GENERATOR START
 - 3. 16 GRN GENERATOR STOP
 - 4. 16 BLK GENERATOR (-)

HOUSING-AMP
(UNIVERSAL MATE-N-LOK)
1-480702-0
CONTACT-PIN
350538-1

- PIN #
- 1. 14 BLK (HOUSE +12VDC)
 - 2. 14 (CHASSIS +12VDC)
 - 3. 14 WHT (GROUND)
 - 4. 20 RED (WATER TANK)
 - 5. 20 BRN (BLACK TANK)
 - 6. 20 GRN (GRAY TANK)
 - 7. 12 RED/WHT (REMOTE WATER PUMP SWITCH)
 - 8. 12 RED (WATER PUMP SWITCH)
 - 9. 12 WHT/RED (REMOTE WATER PUMP)
 - 10. BLANK
 - 11. BLANK
 - 12. 20 WHT/GRN (LP TANK SENSOR)
 - 13. 16 YEL (WATER HEATER IGNITION)
 - 14. BLANK
 - 15. 20 WHT/BLU (WATER HEATER INDICATOR)

HOUSING-AMP
(UNIVERSAL MATE-N-LOK)
1-480710-0
CONTACT-PIN
350538-1



FIRST USED	STANDARDS
TITLE	DO NOT SCALE DRAWING
SHEET 2	PANEL - MONITOR
PART NO	133004

PIN #
 1. 16 RED GENERATOR METER (+)
 2. 16 YEL GENERATOR START
 3. 16 BRN GENERATOR STOP
 4. 16 BLK GENERATOR (-)

HOUSING-AMP
 (UNIVERSAL MATE-N-LOK)
 1-480702-0
 CONTACT-PIN
 350538-1

PIN #
 1. 14 BLK (HOUSE +12VDC)
 2. 14 (CHASSIS +12VDC)
 3. 14 WHT (GROUND)
 4. 20 RED (WATER TANK)
 5. 20 BRN (BLACK TANK)
 6. 20 GRN (GRAY TANK)
 7. 12 RED/WHT (REMOTE WATER PUMP SWITCH)
 8. 12 RED (WATER PUMP SWITCH)
 9. 12 WHT/RED (REMOTE WATER PUMP)
 10. BLANK
 11. BLANK
 12. 20 WHT/GRN (LP TANK SENSOR)
 13. 16 YEL (WATER HEATER IGNITION)
 14. BLANK
 15. 20 WHT/BLU (WATER HEATER INDICATOR)

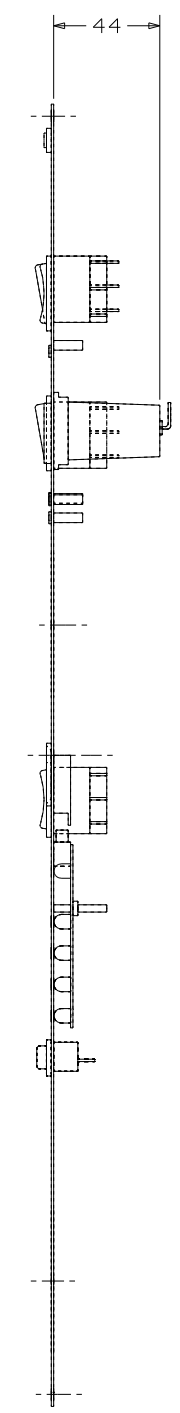
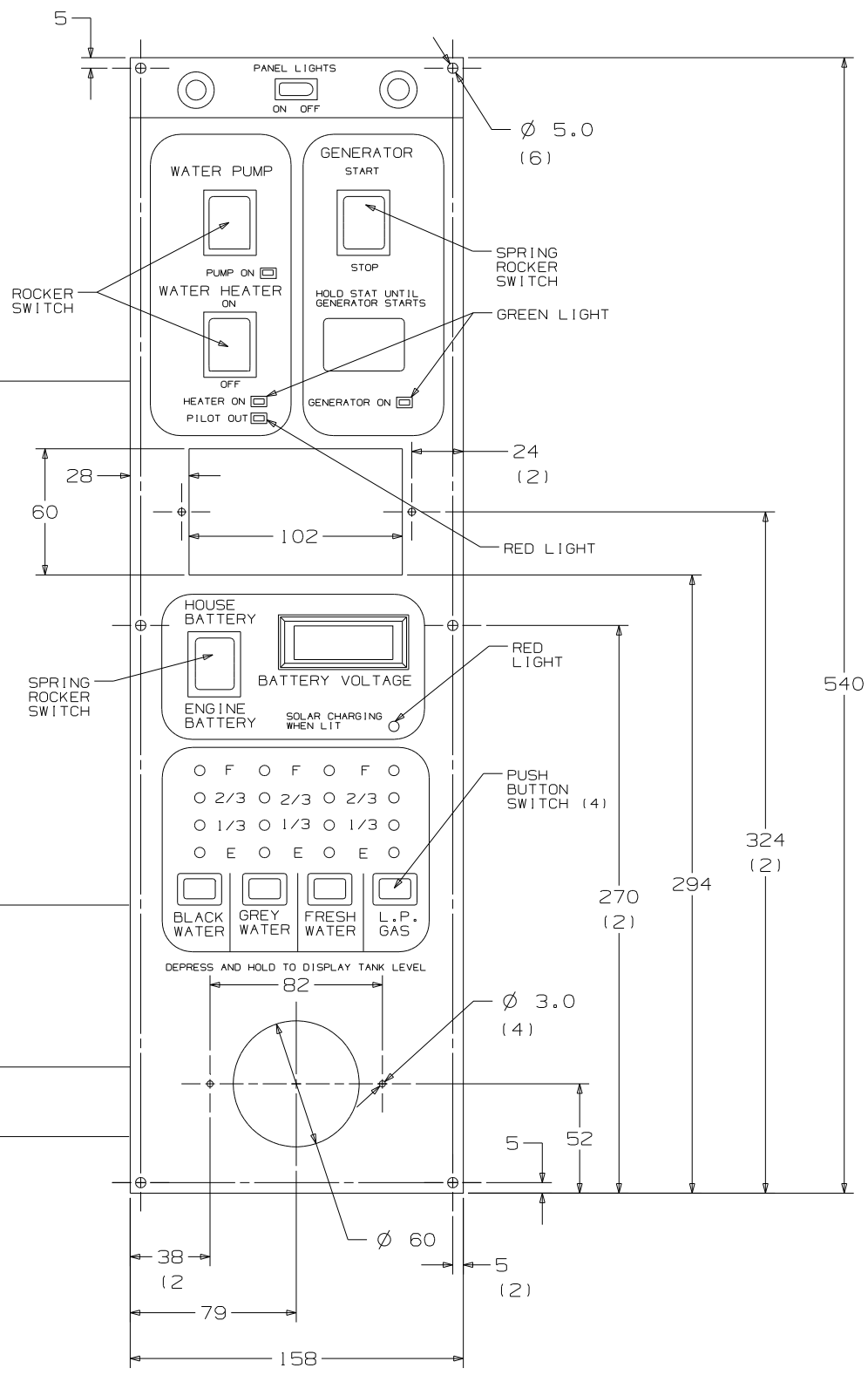
HOUSING-AMP
 (UNIVERSAL MATE-N-LOK)
 1-480710-0
 CONTACT-PIN
 350538-1

HOUSING-AMP
 (UNIVERSAL MATE-N-LOK)
 1-480698-0
 PIN
 350538-0

PIN #
 1. 16 BLK
 2. 16 RED

HOUSING-AMP
 (UNIVERSAL MATE-N-LOK)
 1-480699-0
 PIN
 350537-0

PIN #
 1. 16 GRN
 2. 16 RED



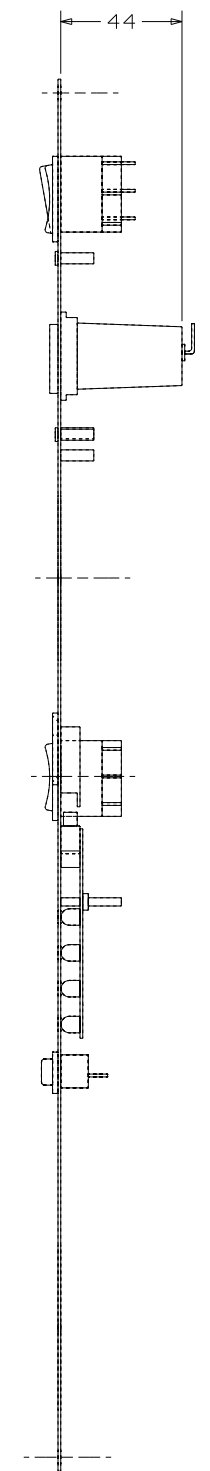
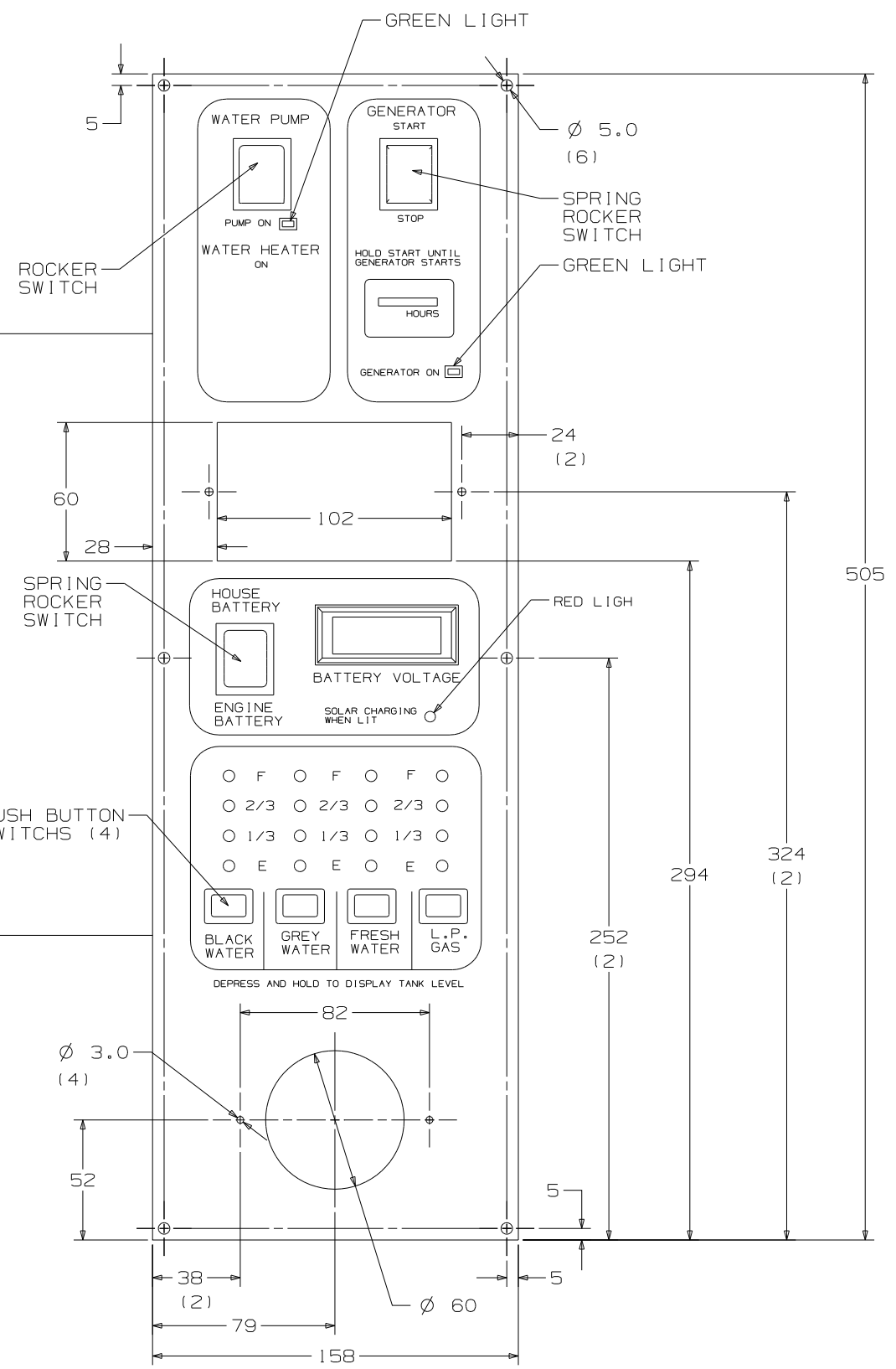
FIRST USED	STANDARD
TITLE	DO NOT SCALE DRAWING
TITLE	PANEL-MONITOR
SHEET 3	PART NO 133004

- PIN #
- 1. 16 RED GENERATOR METER (+)
 - 2. 16 YEL GENERATOR START
 - 3. 16 GRN GENERATOR STOP
 - 4. 16 BLK GENERATOR (-)

HOUSING-AMP
(UNIVERSAL MATE-N-LOK)
1-480702-0
CONTACT-PIN
350538-1

- PIN #
- 1. 14 BLK (HOUSE +12VDC)
 - 2. 14 (CHASSIS +12VDC)
 - 3. 14 WHT (GROUND)
 - 4. 20 RED (WATER TANK)
 - 5. 20 BRN (BLACK TANK)
 - 6. 20 GRY (GRAY TANK)
 - 7. 12 RED/WHT (REMOTE WATER PUMP SWITCH)
 - 8. 12 RED (WATER PUMP SWITCH)
 - 9. 12 WHT/RED (REMOTE WATER PUMP)
 - 10. BLANK
 - 11. BLANK
 - 12. 20 WHT/GRN (LP TANK SENSOR)
 - 13. BLANK
 - 14. BLANK
 - 15. BLANK

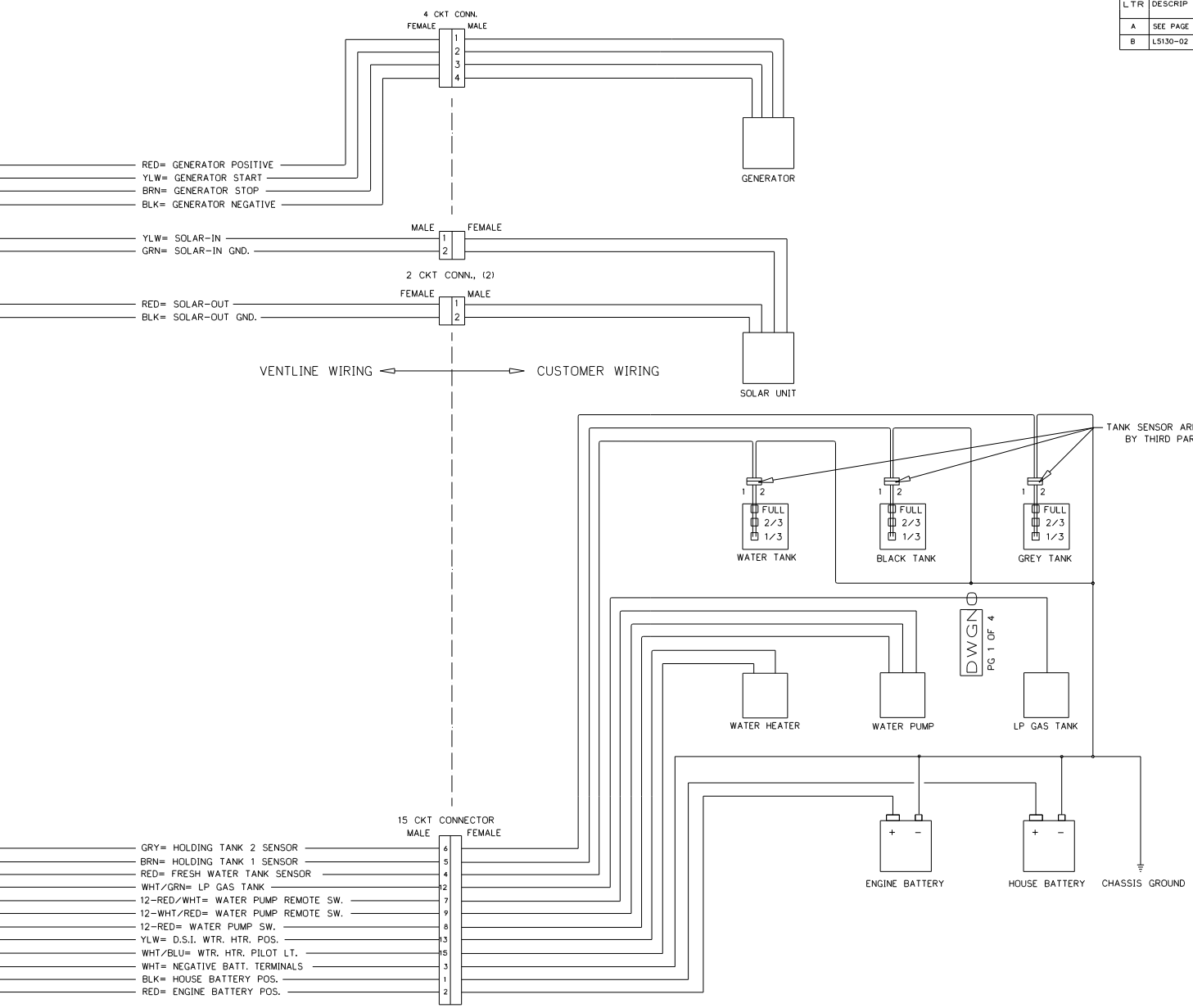
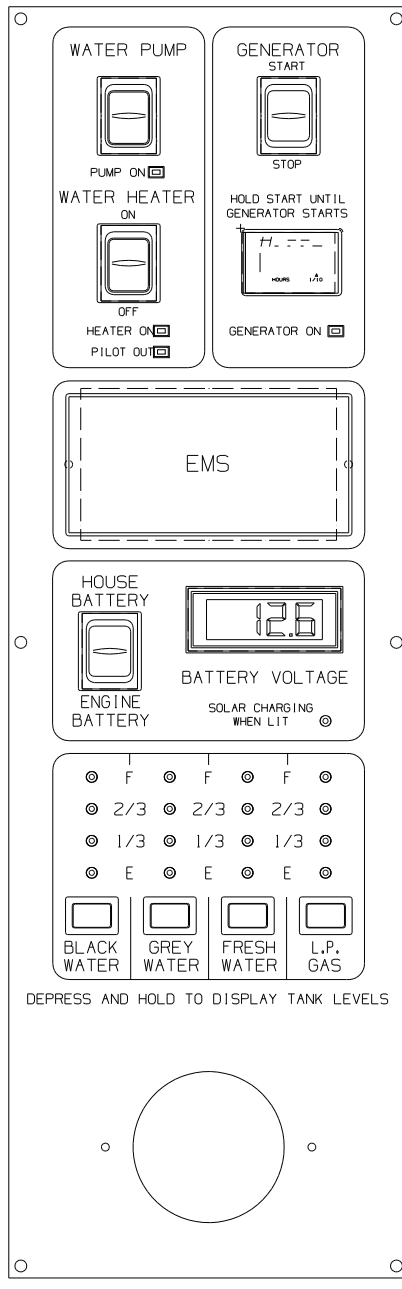
HOUSING-AMP
(UNIVERSAL MATE-N-LOK)
1-480710-0
CONTACT-PIN
350538-1



FIRST USED	STANDARDS
TITLE	DO NOT SCALE DRAWING
SHEET 4	PANEL - MONITOR
PART NO	133004

CONFIDENTIAL
 THIS DOCUMENT, INCLUDING ALL INFORMATION CONTAINED HEREIN IS THE EXCLUSIVE AND CONFIDENTIAL PROPERTY OF VENTLINE DIVISION OF TOMKINS INDUSTRIES INC. THE DOCUMENT AND INFORMATION ARE NOT TO BE COPIED, REPRODUCED OR DELIVERED TO OTHERS, IN WHOLE OR IN PART, WITHOUT THE EXPRESS WRITTEN PERMISSION OF VENTLINE. THE DOCUMENT IS TO BE RETURNED PROMPTLY TO VENTLINE AFTER HAVING SERVED THE PURPOSE FOR WHICH DELIVERED.
 ©1995 VENTLINE DIVISION, TOMKINS INDUSTRIES, INC.
 All Rights Reserved, including the right to reproduce this document or any part thereof

LTR.	DESCRIPTION	DATE	CHK. BY	APP. BY
A	SEE PAGE 3 ECN 16381	ECN 16261	4-6-04	R.L. R.L.
B	L5130-02 WAS L5113-04	ECN 16394	4-21-04	R.L. R.L.



- NOTES:
- UNLESS OTHERWISE SPECIFIED ALL WIRE IS 22 AWG.
 - REF. DWG.'S:
 HARNESS, INTERNAL & SWITCH= L7785-01, -02
 HARNESS, GEN. INTERNAL & SWITCH= L7786-00
 HARNESS, SOLAR LIGHT= L7722-00
 PCB= L5130-02
 HARNESS, TEST= L8012-00
 TEST BOX= L8506-00
 - ALL PIGTAILS TO BE SUPPLIED BY CUSTOMER.
 - BEFORE PACKING, SECURE HARNESS WITH V00169-00 TIE WRAP ON RIGHT SIDE POST.

ENGLISH (TOLERANCE UNLESS SPECIFIED)
 0 PL.: .040
 2 PL.: .010
 1 PL.: .020
 3 PL.: .005
 FRACTIONS 1/64

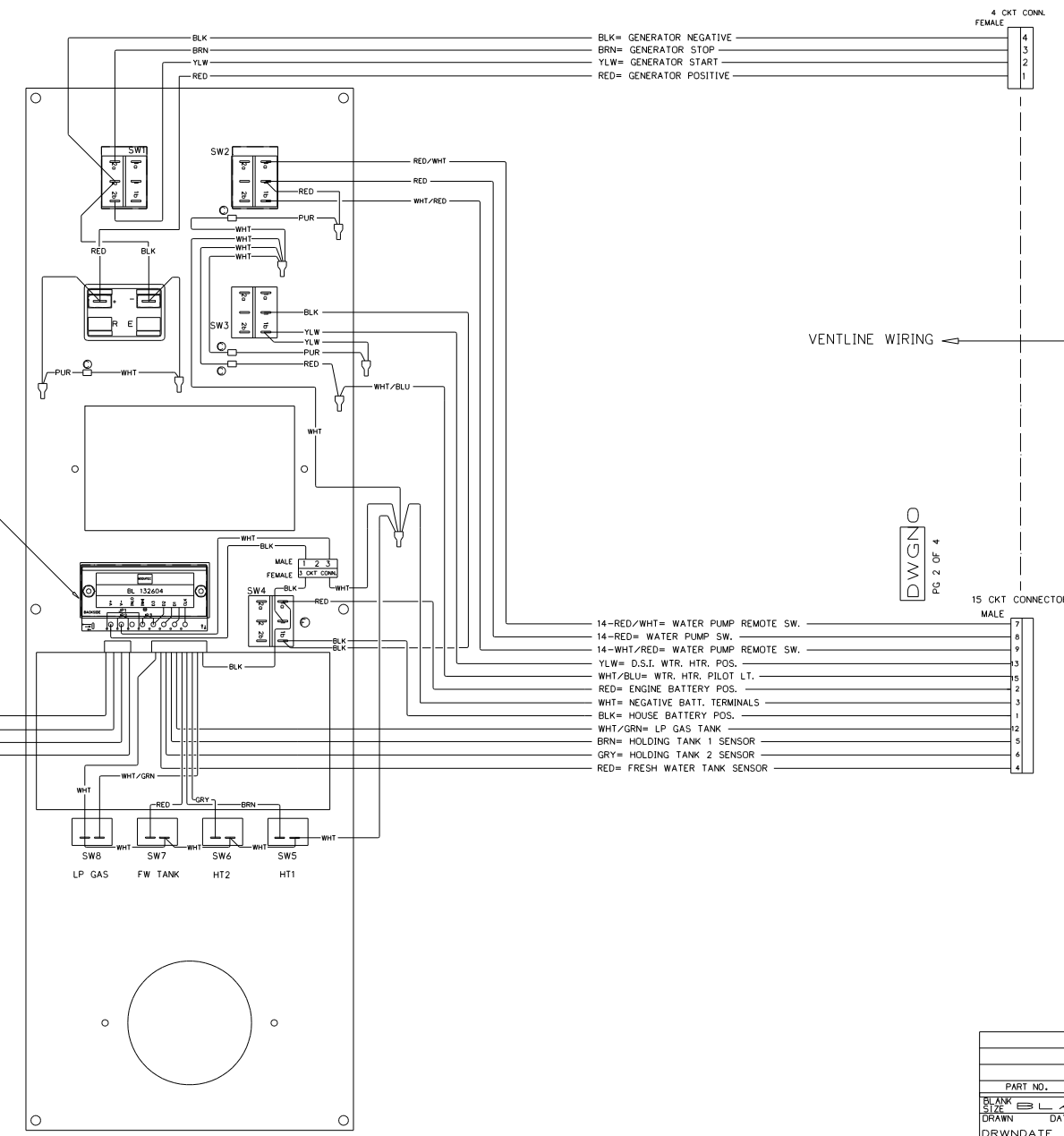
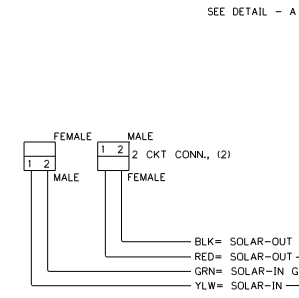
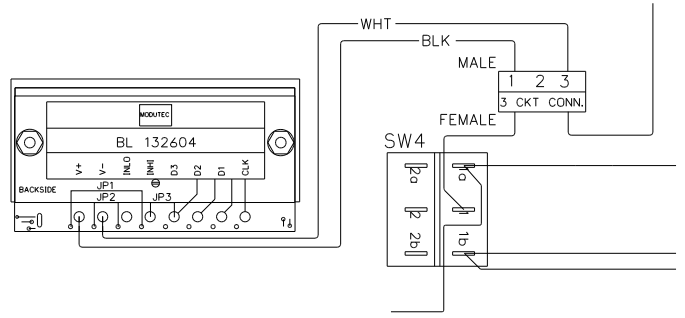
PART NO.	REV'D	MATERIAL	DESCRIPTION	DWG SIZE
BLANK		BLANK	WGT	USED
USED		USED	ON	USED
DATE		MATERIAL		
DATE		MATL		
DATE		NAME		
DATE		DWGNAME		
DATE		DWGNAME		
SCALE		SCALE		
DWG. NO.		PG 1 OF 4		
DWGNO		DWGNO		

FIRST USED	STANDARD
TITLE	DO NOT SCALE DRAWING
TITLE	PANEL - MONITOR
SHEET 5	PART NO 133004
	1 07/08/2004

CONFIDENTIAL
 THIS DOCUMENT, INCLUDING ALL INFORMATION CONTAINED HEREIN IS THE EXCLUSIVE AND CONFIDENTIAL PROPERTY OF VENTLINE DIVISION OF TOMING INDUSTRIES, INC. THE DOCUMENT AND INFORMATION HEREIN NOT TO BE COPIED, REPRODUCED OR DELIVERED TO OTHERS, IN WHOLE OR IN PART, WITHOUT THE EXPRESS WRITTEN PERMISSION OF VENTLINE. THE DOCUMENT IS TO BE RETURNED PROMPTLY TO VENTLINE AFTER HAVING SERVED THE PURPOSE FOR WHICH DELIVERED.
 ©1995 VENTLINE DIVISION, TOMING INDUSTRIES, INC.
 All Rights Reserved, including the right to reproduce this document in any part thereof.

LTR.	DESCRIPTION	DATE	CHK'D	APP'D
A	SEE PAGE 3 ECN 16381	4-6-04	RUL	RUL
B	LS130-02 WAS LS113-04 ECN 16394	4-21-04	RUL	RUL

DETAIL - A



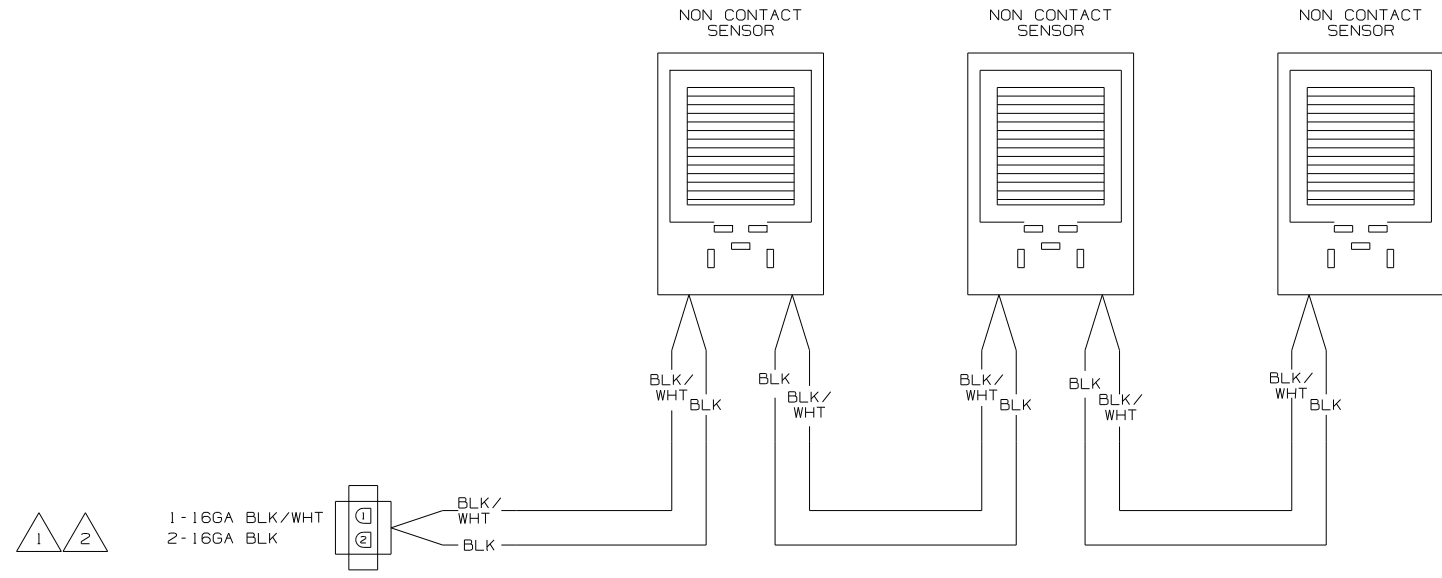
- 14-RED/WHT= WATER PUMP REMOTE SW.
- 14-RED= WATER PUMP SW.
- 14-WHT/RED= WATER PUMP REMOTE SW.
- YLW= D.S.I. WTR, HTR, POS.
- WHT/BLU= WTR, HTR, PILOT LT.
- RED= ENGINE BATTERY POS.
- WHT= NEGATIVE BATT. TERMINALS
- BLK= HOUSE BATTERY POS.
- WHT/GRN= LP GAS TANK
- BRN= HOLDING TANK 1 SENSOR
- GRY= HOLDING TANK 2 SENSOR
- RED= FRESH WATER TANK SENSOR

- NOTES:
- UNLESS OTHERWISE SPECIFIED ALL WIRE IS 22 AWG.
 - REF. DWG.'S:
 HARNESS, INTERNAL & SWITCH= L7785-01, -02
 HARNESS, GEN. INTERNAL & SWITCH= L7786-00
 HARNESS, SOLAR LIGHT= L7722-00
 PCB= LS130-02
 HARNESS, TEST= L8012-00
 TEST BOX= L8506-00
 - ALL PIGTAILS TO BE SUPPLIED BY CUSTOMER.
 - BEFORE PACKING, SECURE HARNESS WITH VD0167-00 TIE WRAP ON RIGHT SIDE POST.

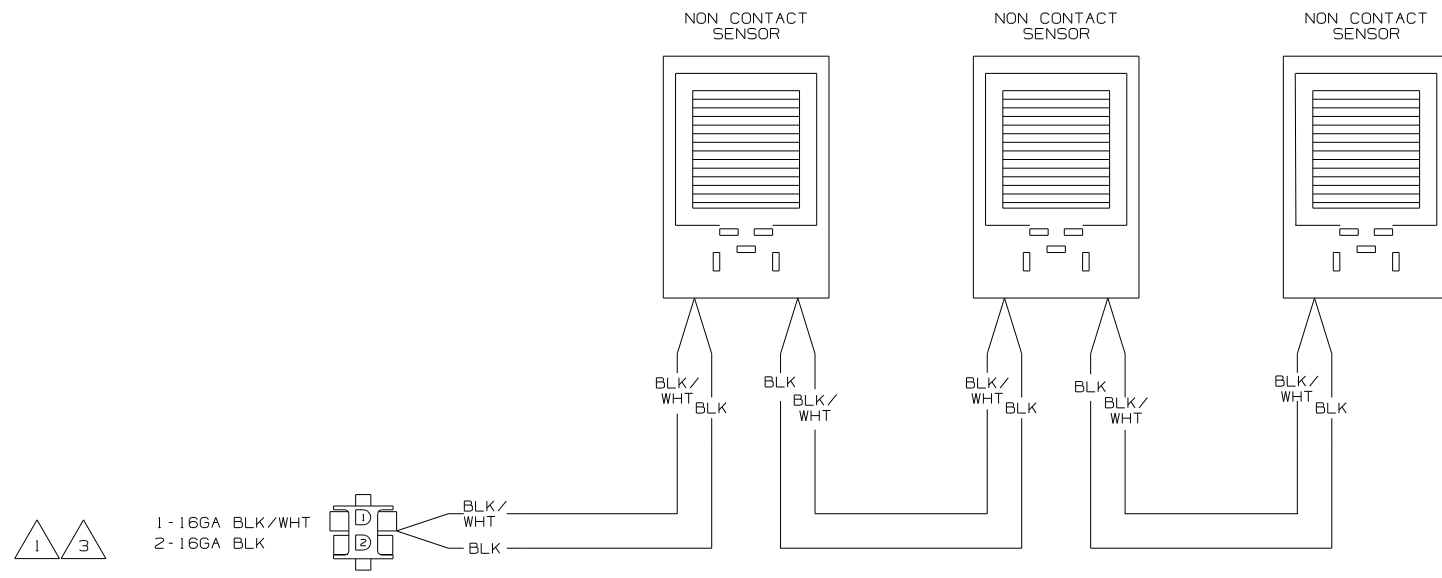
ENGLISH (TOLERANCE UNLESS SPECIFIED)
 0 PL.: .040 1 PL.: .020
 2 PL.: .010 3 PL.: .005
 FRACTIONS: 1/64

PART NO.	REV'D	MATERIAL	DESCRIPTION	DWG SIZE
BLANK SIZE		BLANK	WGT USED	USED ON
DRAWN	DATE	MATERIAL	MATL	MATL
DRWN DATE	DATE	MATL	MATL	
CHECKED	DATE			
CHECKED DATE	DATE			
APPV'D	DATE			

FIRST USED	STANDARD
TITLE	DO NOT SCALE DRAWING
TITLE	PANEL - MONITOR
SHEET 7	PART NO 133004



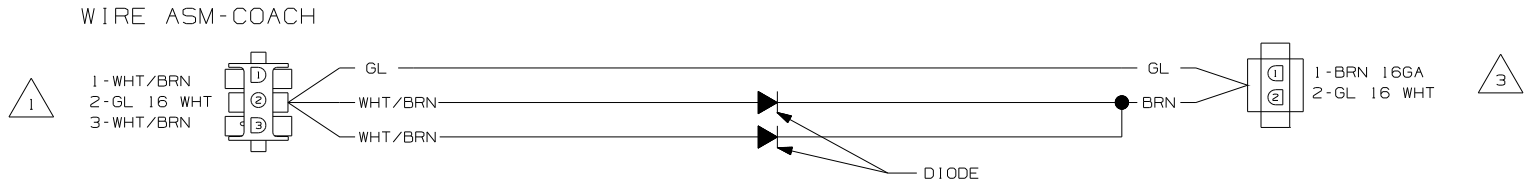
WIRING DIAGRAM-TANK, WATER
OR
WIRING DIAGRAM-TANK, MAIN
(WIRE ASM-151316 REV A)



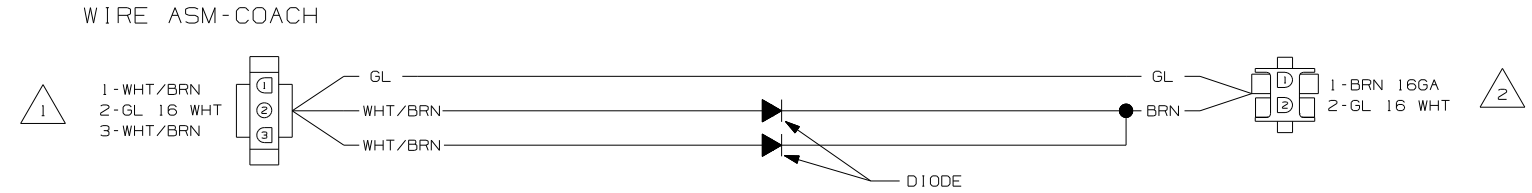
WIRING DIAGRAM-AUX HOLDING
(WIRE ASM-151317 REV A)

- NOTES:
- 3 IF TWO MONITOR PANELS ARE UTILIZED THIS WIRE ASM CONNECTS TO WIRE ASM-TANK,DIODE PACK 151808-01 SHT2.
 - 2 IF TWO MONITOR PANELS ARE UTILIZED THIS WIRE ASM CONNECTS TO WIRE ASM-TANK,DIODE PACK 151808-02 SHT2.
 - 1 IF ONLY ONE MONITOR PANEL IS USED SEE WIRING DIAGRAM-BODY FOR ADDITIONAL INFORMATION.

WINNEBAGO		COPYRIGHT 2004 WINNEBAGO INDUSTRIES, INC.	
DFTR	ORIG. DATE	ALL DIMENSIONS ARE IN MILLIMETERS	
CHKR		FIRST USED	
P.E.		05 MOTOR HOMES	
M.E.			
DSNR			
UNSPECIFIED TOLERANCES ARE:		MATERIAL:	
WHOLE DIM (X)	:	1	*
ONE-PLACE (X.X)	:		*
TWO-PLACE (X.XX)	:		*
ANGLE	:		*
THIRD ANGLE PROJECTION	:		*
DO NOT SCALE DRAWING			
TITLE: WIRING DIAGRAM-HOLDING TANKS			
SHEET 1 OF 2	PART NO	152594	
REF: NONE		1 9/8/2004	



WIRING DIAGRAM-TANK,DIODE PACK
151808-01-000 REV A



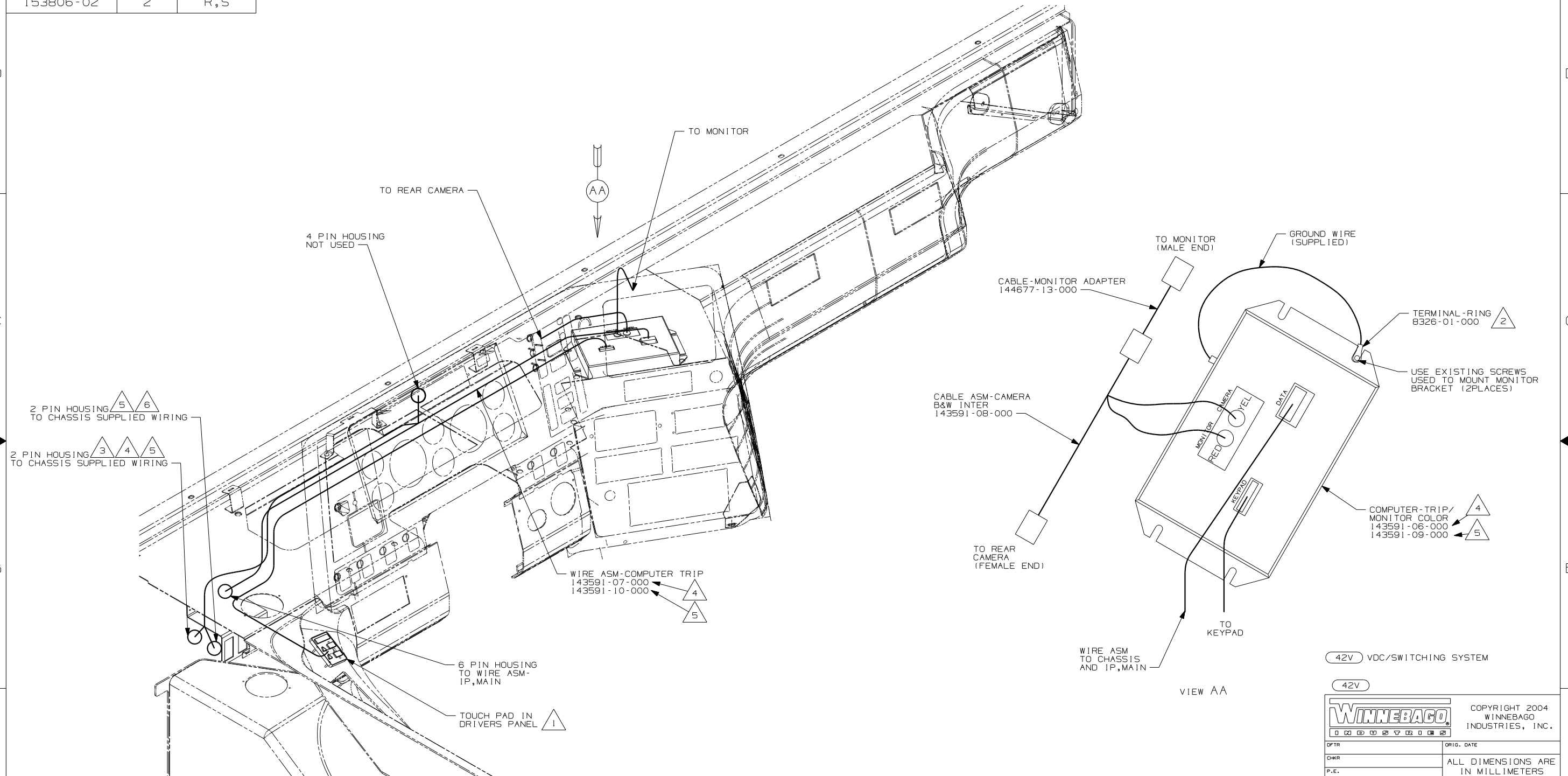
WIRING DIAGRAM-TANK,DIODE PACK
151808-02-000 REV A

- NOTES:
- 3 CONNECT TO WIRE ASM-TANK,AUX. SEE SHT 1.
 - 2 CONNECT WIRE ASM-TANK,WATER OR MAIN. SEE SHT 1.
 - 1 SEE WIRING DIAGRAM-BODY FOR ADDITIONAL INFORMATION.

FIRST USED	
05 MOTOR HOMES	
DO NOT SCALE DRAWING	
TITLE:	
WIRING DIAGRAM-HOLDING TANKS	
SHEET 2	PART NO
	152594

DRAWING NO.	SHEET	SERIES
153806-01	1	P
153806-02	2	R,S

RELEASE	REV DATE	OWG NO	153806
REV ZONE	REVISION RECORD	DATE	DFTR-0R16



- NOTES:
- 5 USED WITH GEN 4 TRANSMISSION. CHASSIS PART NUMBERS ENDING WITH -341 OR -342.
 - 4 USED WITH PRE-GEN 4 TRANSMISSION. CHASSIS PART NUMBERS ENDING WITH -311 OR -312.
 - 3 CONNECT TRIP TEK 2 PIN HOUSING TO MATING FREIGHTLINER 2 PIN HOUSING W/GREEN AND ORANGE TWISTED PAIR WIRES.
 - 2 ADD RING TERMINAL TO EXISTING GROUND AND MOUNT UNDER COMPUTER MOUNTING SCREW.
 - 1 USE VENDER SUPPLIED NUTS.

6 CONNECT TRIP TEK 2 PIN HOUSING TO MATING FREIGHTLINER 2 PIN HOUSING W/YELLOW AND DARK GREEN TWISTED PAIR WIRES.

42V VDC/SWITCHING SYSTEM

42V

WINNEBAGO COPYRIGHT 2004 WINNEBAGO INDUSTRIES, INC.

DFTR	ORIG. DATE
CHKR	ALL DIMENSIONS ARE IN MILLIMETERS
P.E.	
M.E.	FIRST USED
DSNR	06 MOTORHOMES

UNSPECIFIED TOLERANCES ARE:

WHOLE DIM (X)	:	
ONE-PLACE (X.X)	:	1.0
TWO-PLACE (X.XX)	:	0.50
ANGLE	:	

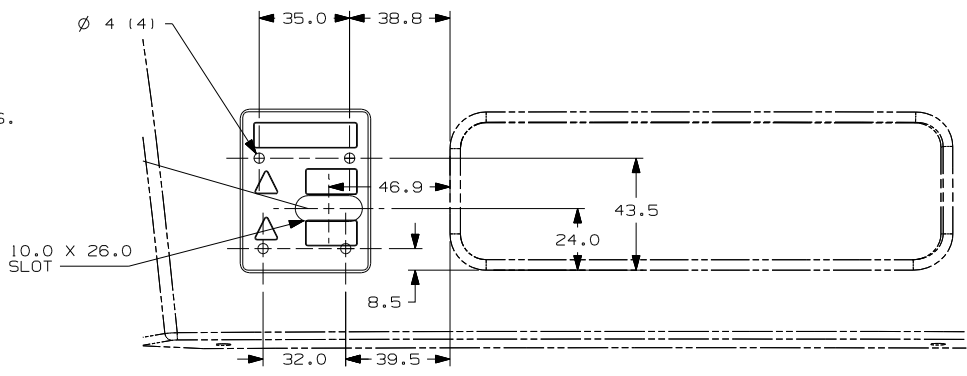
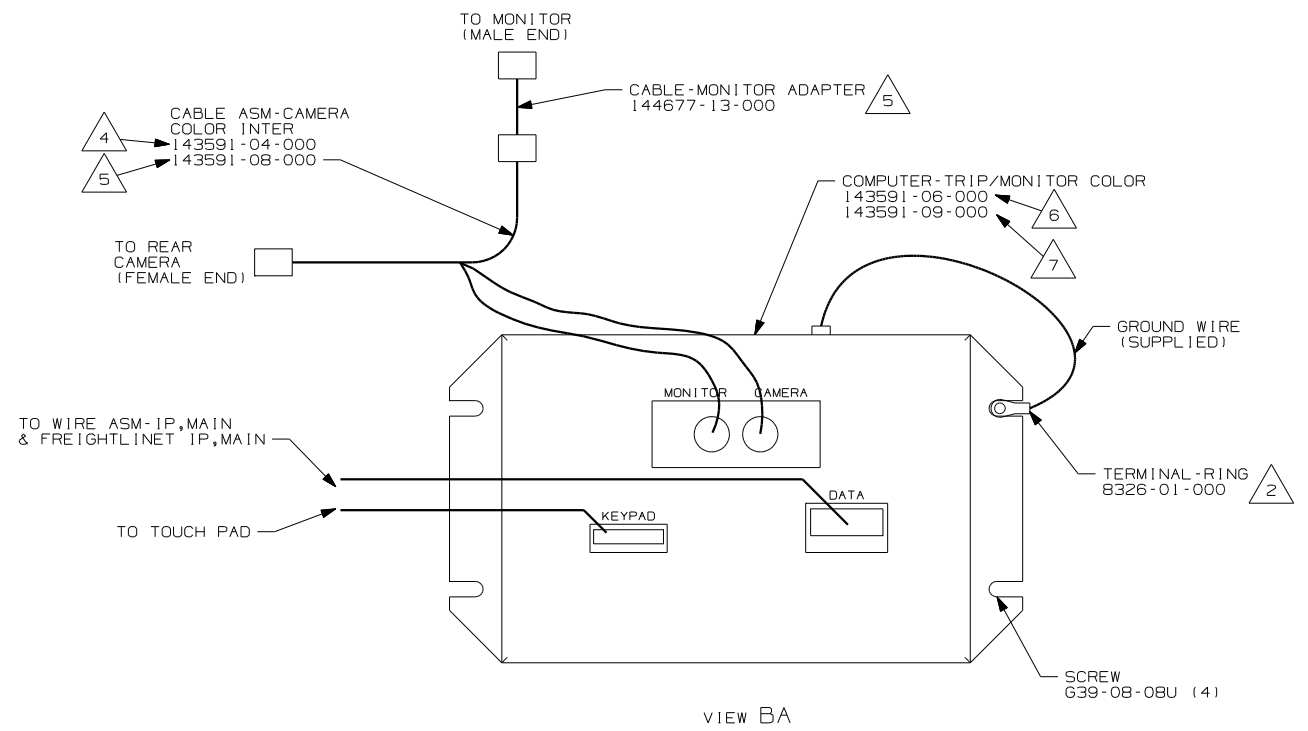
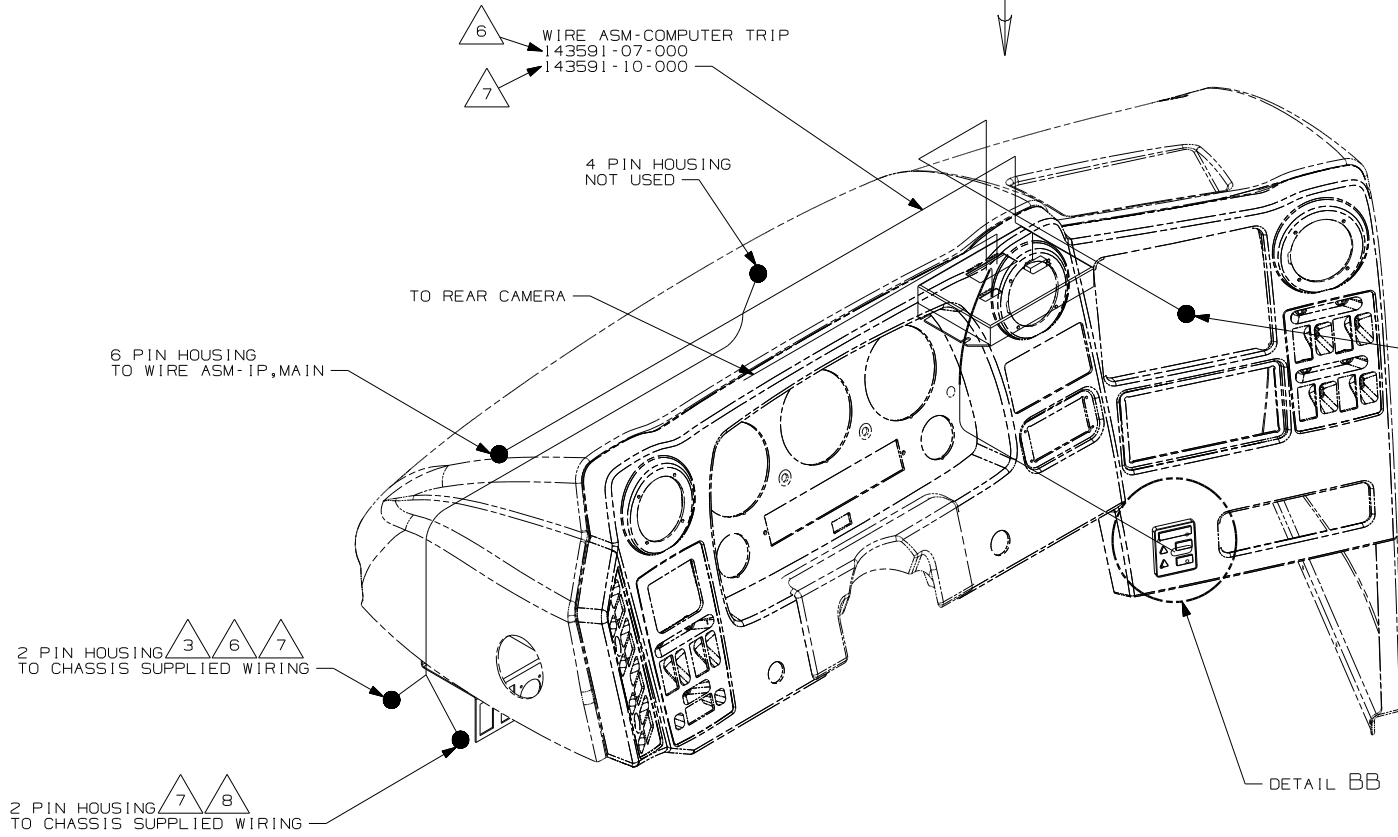
THIRD ANGLE PROJECTION

DO NOT SCALE DRAWING

TITLE: WIRING INSTL-TRIP COMPUTER

SHEET 1 of 2 PART NO 153806

REF: 1 10/10/2005

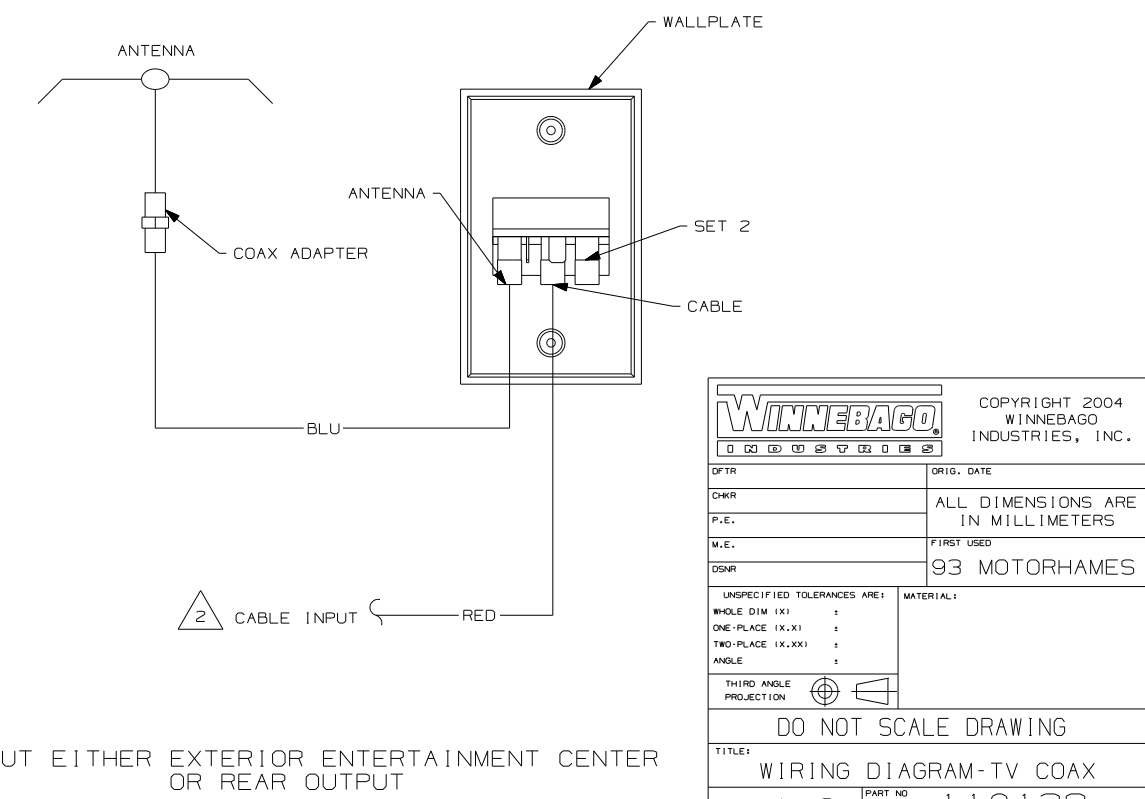
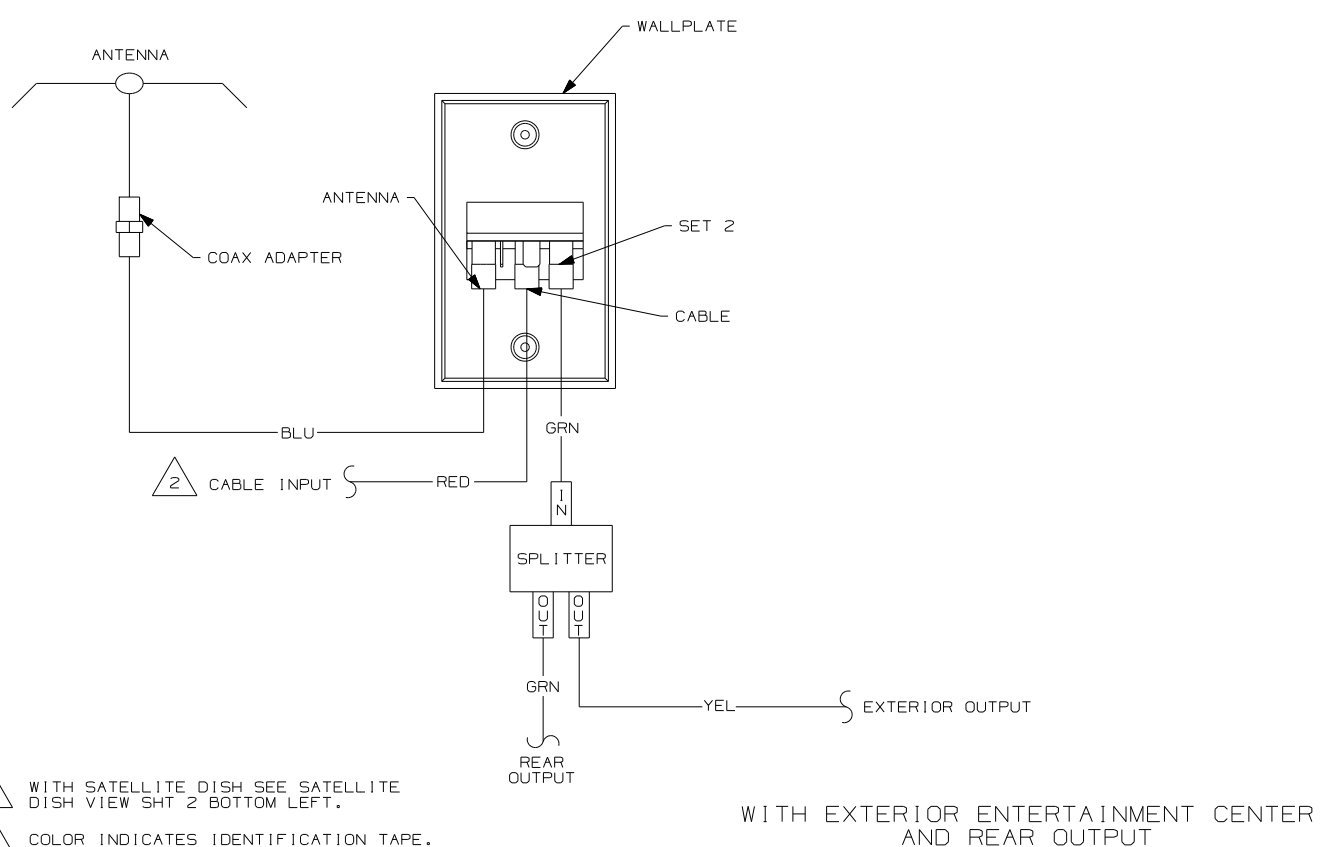
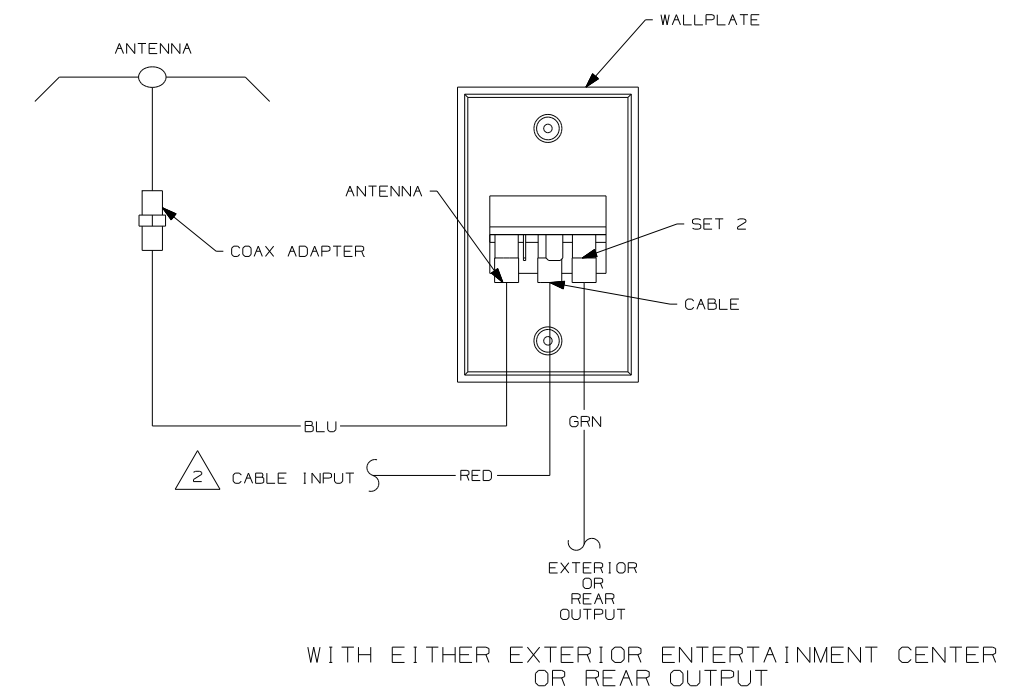
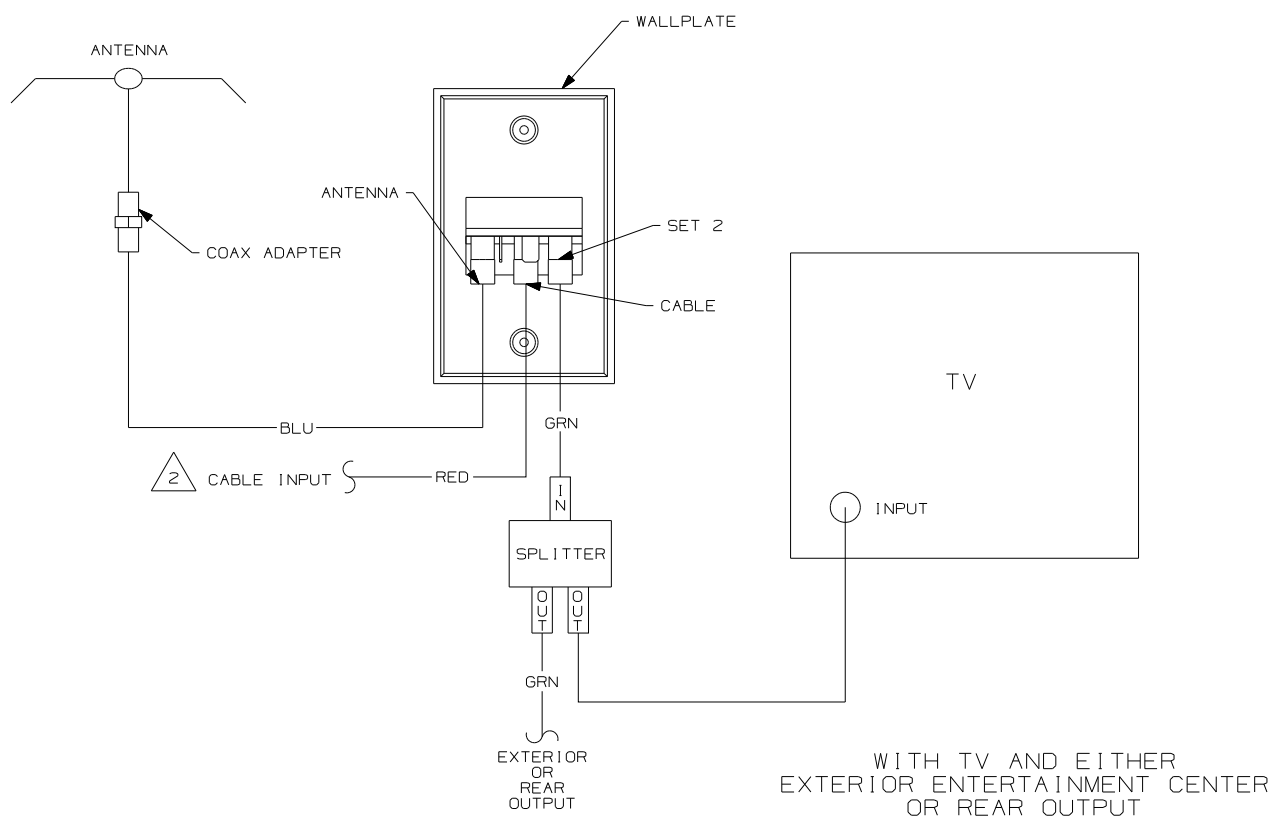


- NOTES:
- 8 CONNECT TRIP TEK 2 PIN HOUSING TO MATING FREIGHTLINER 2 PIN HOUSING W/YELLOW AND DARK GREEN TWISTED PAIR WIRES.
 - 7 USED WITH GEN 4 TRANSMISSION. CHASSIS PART NUMBERS ENDING WITH -341 OR -342.
 - 6 USED WITH PRE-GEN 4 TRANSMISSION. CHASSIS PART NUMBERS ENDING WITH -311 OR -312.
 - 5 FOR USE ON R-SERIES ONLY.
 - 4 FOR USE ON S-SERIES ONLY.
 - 3 CONNECT TRIP TEK 2 PIN HOUSING TO MATING FREIGHTLINER 2 PIN HOUSING W/GREEN AND ORANGE TWISTED PAIR WIRES.
 - 2 ADD RING TERMINAL TO EXISTING GROUND AND MOUNT UNDER COMPUTER MOUNTING SCREW.
 - 1 USE VENDOR SUPPLIED NUTS.

42V VCR/SWITCHING SYSTEM

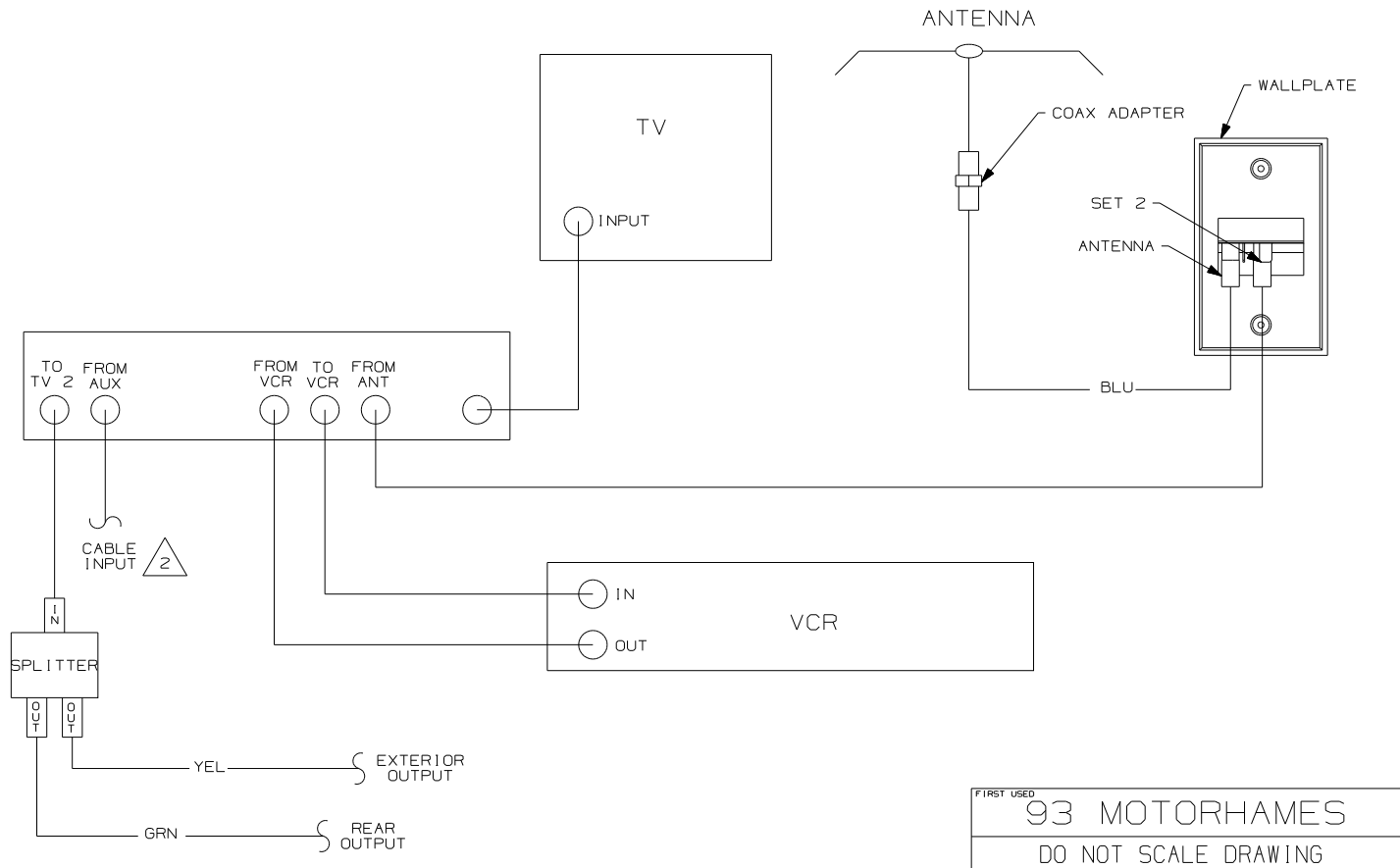
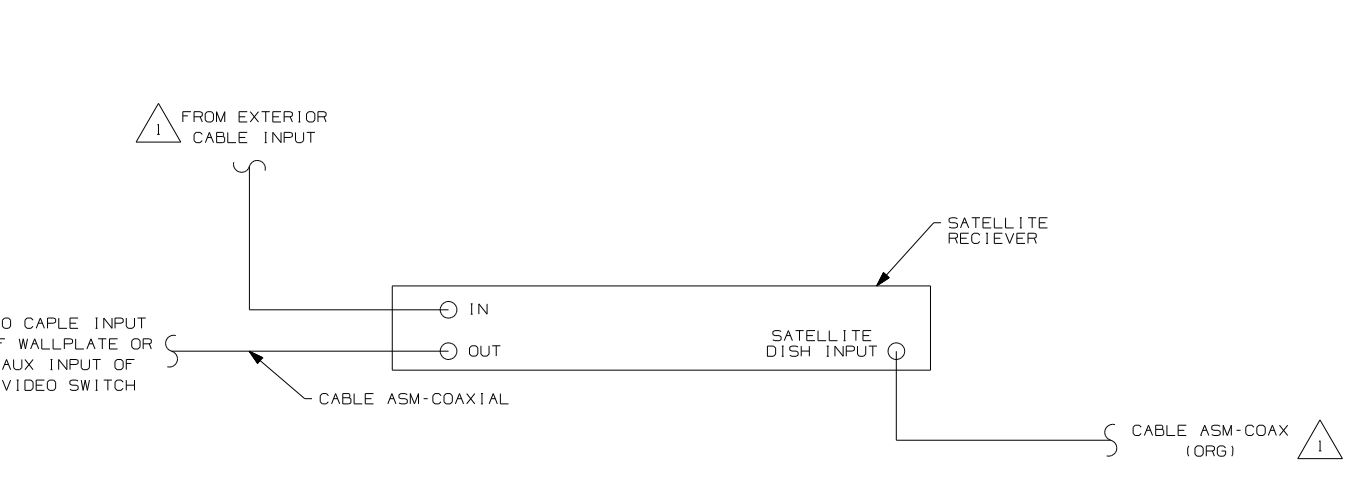
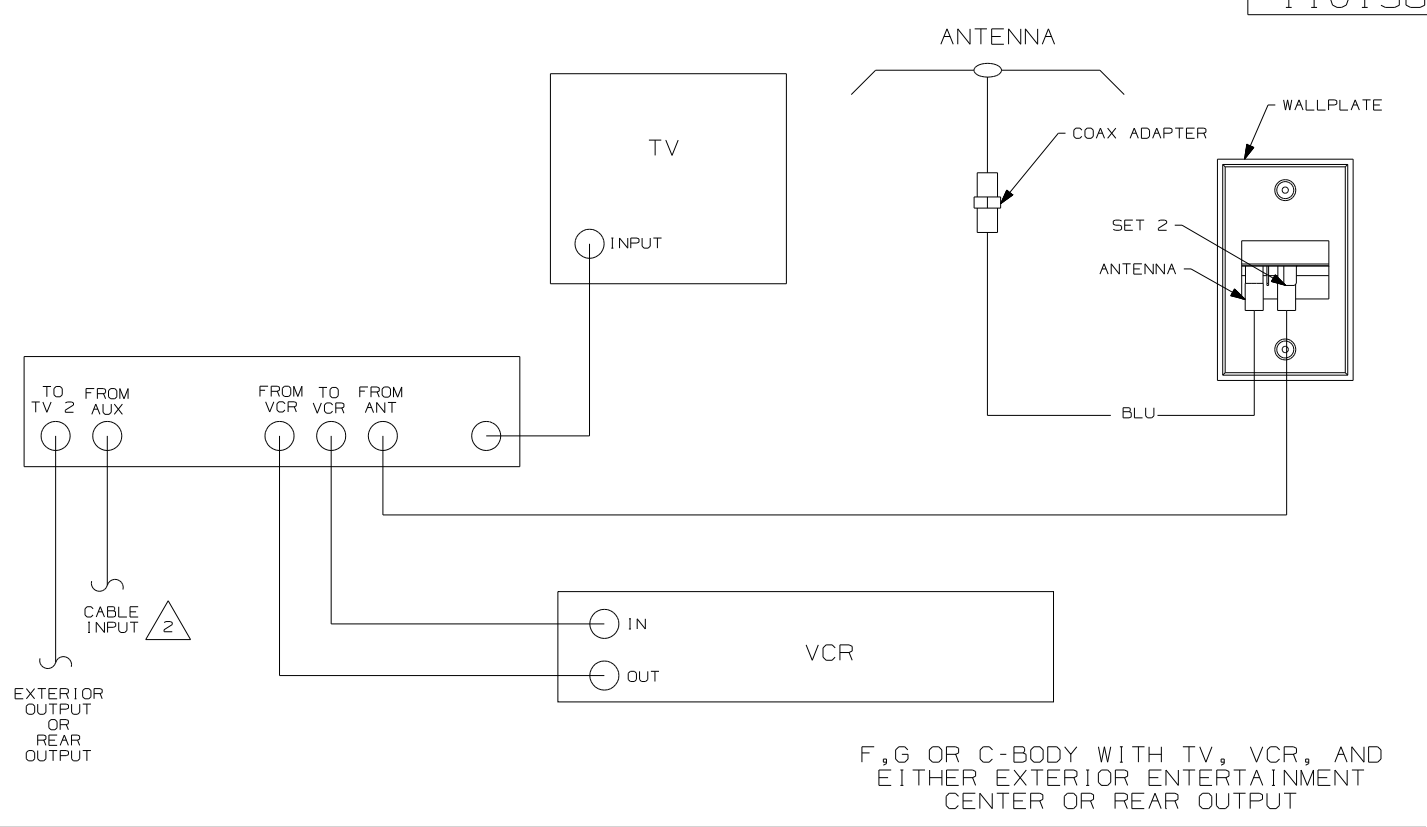
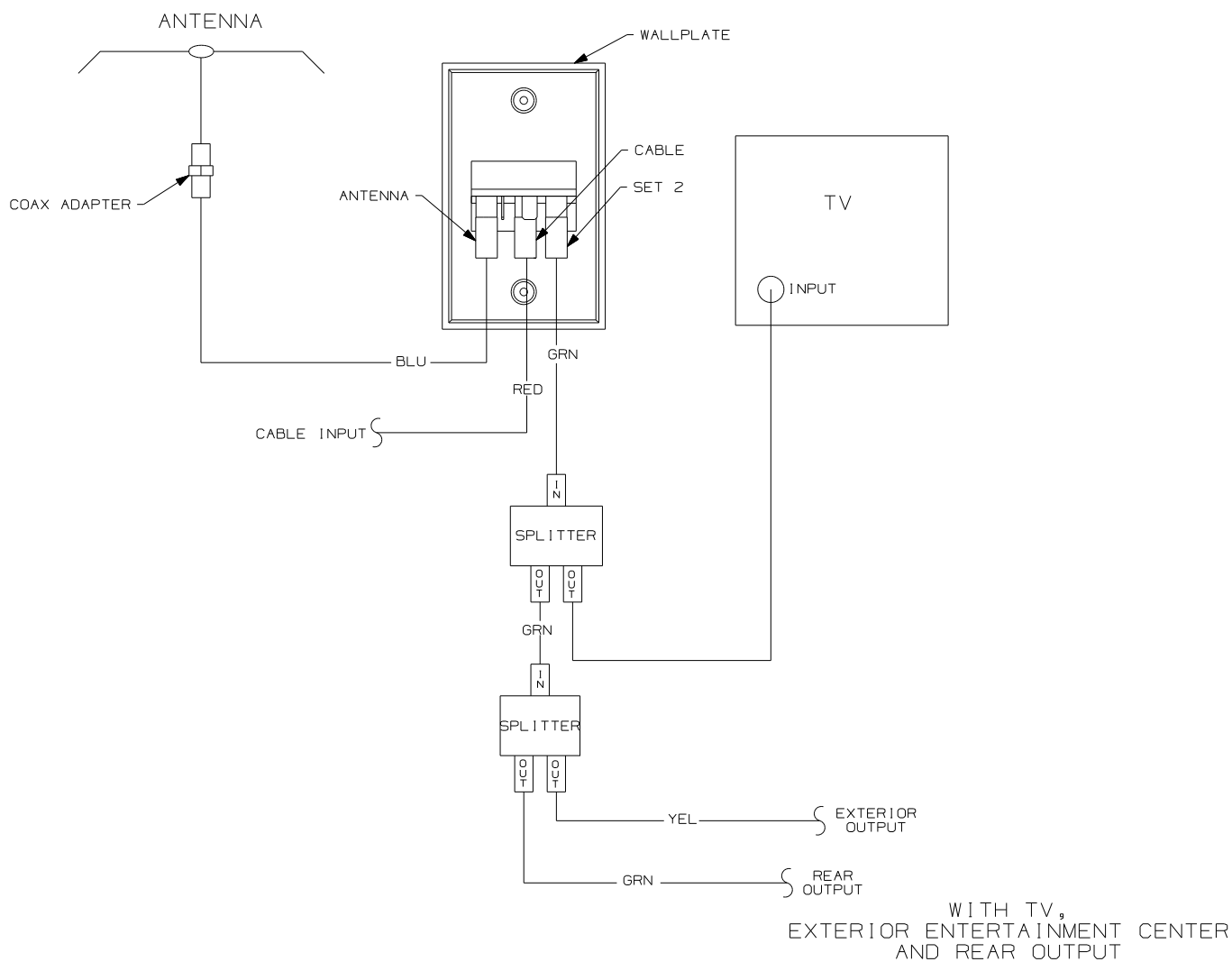
42V

FIRST USED	
06 MOTORHOMES	
DO NOT SCALE DRAWING	
TITLE:	
WIRING INSTL-TRIP COMPUTER	
SHEET 2	PART NO 153806



NOTES:
 2 WITH SATELLITE DISH SEE SATELLITE DISH VIEW SHT 2 BOTTOM LEFT.
 1 COLOR INDICATES IDENTIFICATION TAPE.

WINNEBAGO		COPYRIGHT 2004 WINNEBAGO INDUSTRIES, INC.	
DFTR	ORIG. DATE	ALL DIMENSIONS ARE IN MILLIMETERS	
CHKR		FIRST USED	
P.E.		93 MOTORHAMES	
M.E.		UNSPECIFIED TOLERANCES ARE:	
DSNR		MATERIAL:	
		WHOLE DIM (X)	:
		ONE-PLACE (X.X)	:
		TWO-PLACE (X.XX)	:
		ANGLE	:
		THIRD ANGLE PROJECTION	⊕
DO NOT SCALE DRAWING			
TITLE: WIRING DIAGRAM-TV COAX			
SHEET 1 OF 2	PART NO	110138	
REF:		1 07/08/2004	



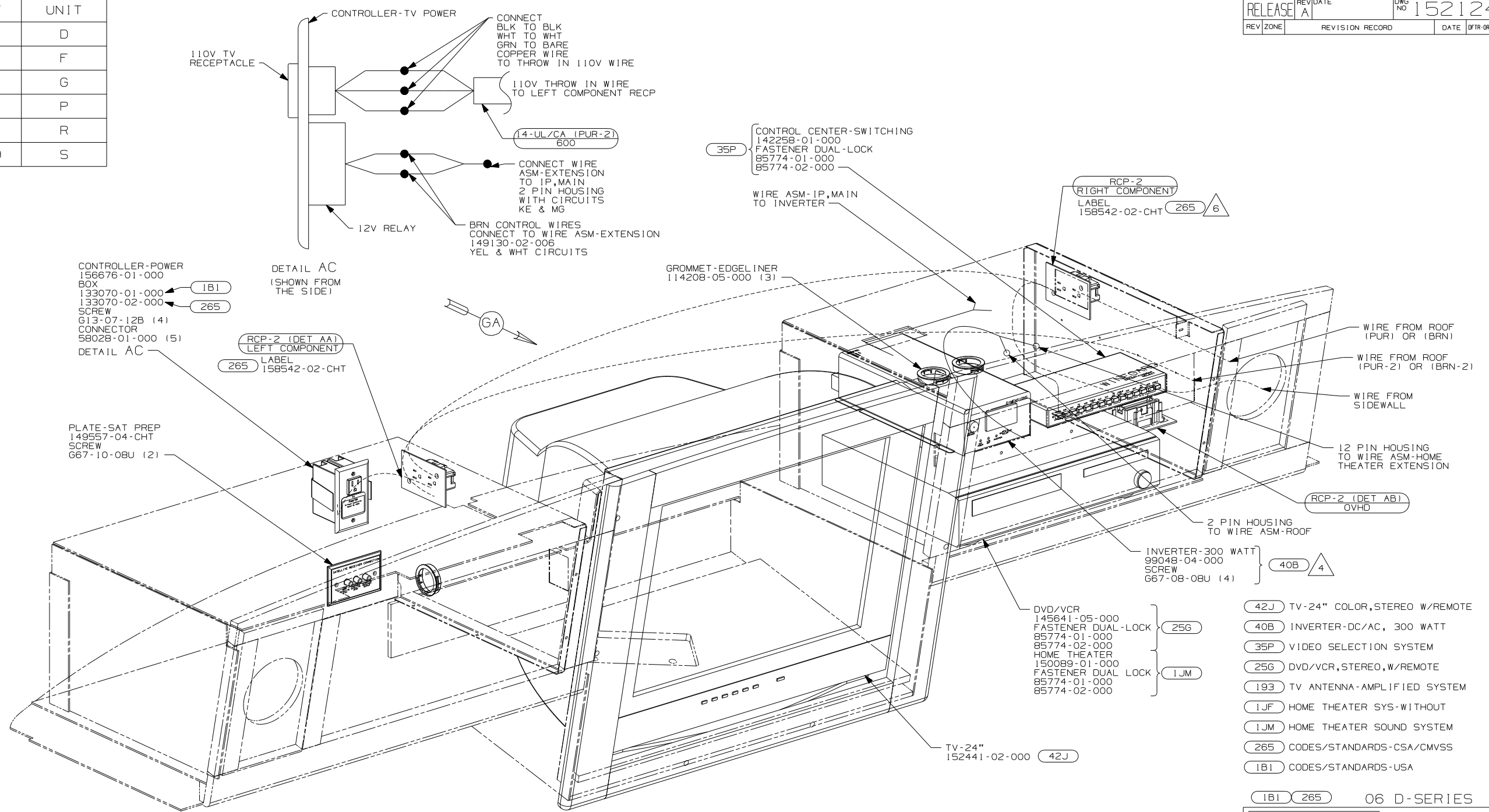
- NOTES:
- 2 WITH SATELLITE DISH SEE SATELLITE DISH VIEW BOTTOM LEFT.
 - 1 CONNECT TV COAX TO JACK ON FRONT OF WALLPLATE.

N,M OR P-SERIES WITH TV AND VCR OR F,G OR C-BODY WITH TV, VCR, EXTERIOR ENTERTAINMENT CENTER AND REAR OUTPUT

FIRST USED	
93 MOTORHAMES	
DO NOT SCALE DRAWING	
TITLE: WIRING DIAGRAM-TV COAX	
SHEET 2	PART NO 110138

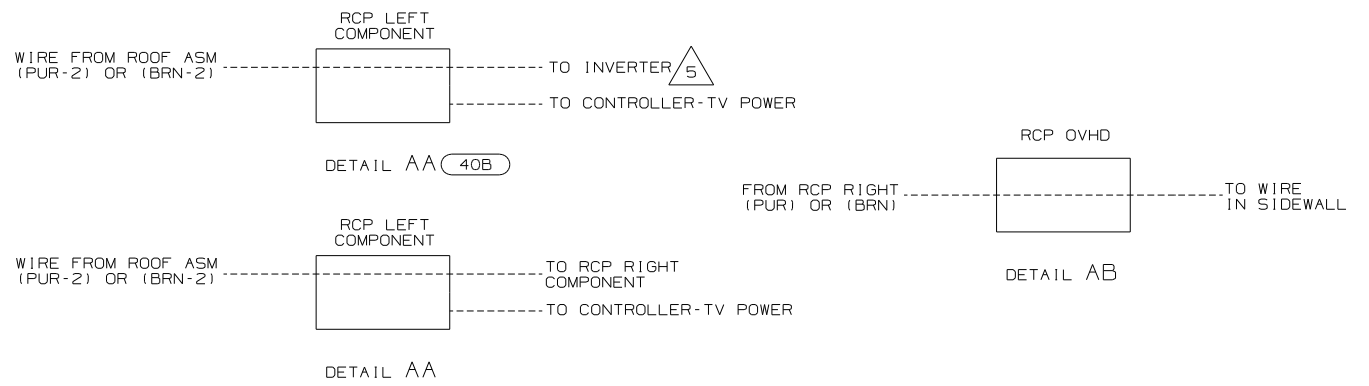
DRAWING NO.	SHEET	UNIT
152124-01	1,7	D
152124-02	2,8	F
152124-03	3,8	G
152124-04	4,8	P
152124-05	5,8	R
152124-06	6,8,9	S

RELEASE	REV/DATE	OWG NO	152124
REV ZONE	REVISION RECORD	DATE	DFTR-ORIG



- 6 WITH 1JF AND WITHOUT 256
- 5 CONNECT PURPLE-2/BROWN-2 TO INVERTER WITH FEATURE 40B
- 4 WHEN THE INVERTER IS USED IN CONJUNCTION WITH VINYL COVERED PANEL REMOVE FABRIC FROM HOLES SUPPLIED IN DIELECTRIC PANEL FOR VENTILATION.
3. WHERE WIRES PASS THROUGH HOLES IN STEEL AND NOT OTHERWISE PROTECTED, USE GROMMET 92908-02-000.
2. ALL WIRES TO BE SECURED WITH CLAMP 10495-01-000 OR CLIP 80734-01-000 EVERY 600MM. USE SCREW 667-10-12B UNLESS OTHERWISE SPECIFIED.
1. 110V WIRE TO BE CLAMPED WITH CLAMP 10497-05-000 WITHIN 200MM OF OUTLET BOXES, USE SCREW 667-10-12B.

NOTES:



- 42J TV-24" COLOR, STEREO W/REMOTE
- 40B INVERTER-DC/AC, 300 WATT
- 35P VIDEO SELECTION SYSTEM
- 256 DVD/VCR, STEREO, W/REMOTE
- 193 TV ANTENNA-AMPLIFIED SYSTEM
- 1JF HOME THEATER SYS-WITHOUT
- 1JM HOME THEATER SOUND SYSTEM
- 265 CODES/STANDARDS-CSA/CMVSS
- 1B1 CODES/STANDARDS-USA

1B1 265 06 D-SERIES

WINNEBAGO COPYRIGHT 2006 WINNEBAGO INDUSTRIES, INC.

DFTR	ORIG. DATE
CHKR	ALL DIMENSIONS ARE IN MILLIMETERS
P.E.	
M.E.	FIRST USED
DSNR	06 A-BODIES

UNSPECIFIED TOLERANCES ARE: MATERIAL:

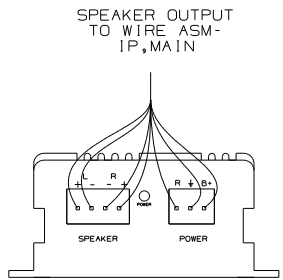
HOLE DIM (X) :
ONE-PLACE (X.X) :
TWO-PLACE (X.XX) :
ANGLE :
THIRD ANGLE PROJECTION

DO NOT SCALE DRAWING

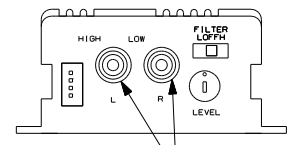
TITLE: WIRING INSTL-TV/DVD, FRONT

SHEET 1 of 9 PART NO 152124 REV

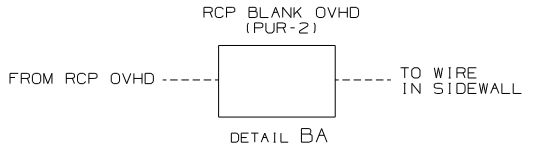
REF: 1 6/15/2006



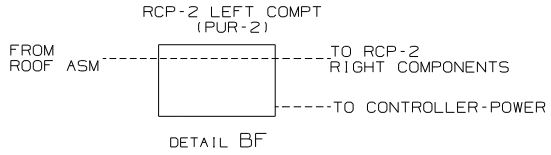
DETAIL BD



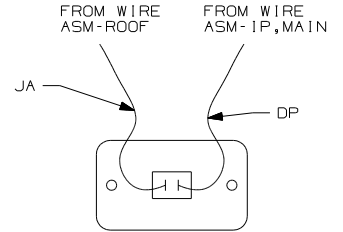
CONNECT RCA CABLE FROM TV AUDIO OUTPUT HERE



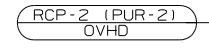
DETAIL BA



DETAIL BF



DETAIL BE

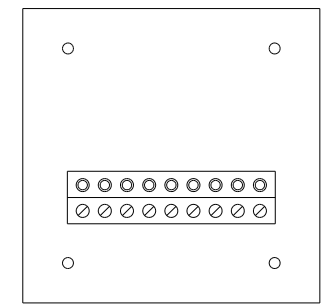


RCP-2 (PUR-2) OVHD

SWITCH 89308-01-CHT
PLATE-SWITCH 98351-09-CHT
SCREW 611-06-10J (2)
DETAIL BE

1JF

CONTROL CENTER-SWITCHING 142258-01-000 (35P)



DETAIL BF (REAR VIEW) 78K

RCP-2 (DET BF) LEFT COMPONENT LABEL 158542-02-CHT 265

PLATE-SAT PREP 149557-04-CHT SCREW 667-10-08U (2)

AMPLIFIER-TV, STEREO 147139-01-000
WIRE ASM-STEREO KIT 147139-02-000
FASTENER-DUAL LOCK 85774-01-000
85774-02-000
DETAIL BD

1JF

TRANSMITTER 149750-03-000 (2)
TAPE-FOAM DBL COATED 76322-21-000 (2)

10A

CONTROLLER-POWER 156676-01-000 BOX 133070-01-000 133070-02-000 SCREW 613-07-12B (4) CONNECTOR 58028-01-000 (3) DETAIL BG

1B1

265

TV-24" STEREO 146299-02-000 (42J)

MODULE-INTERFACE, 1R 149750-04-000 FASTENER-DUAL LOCK 85774-01-000 85774-02-000

10A

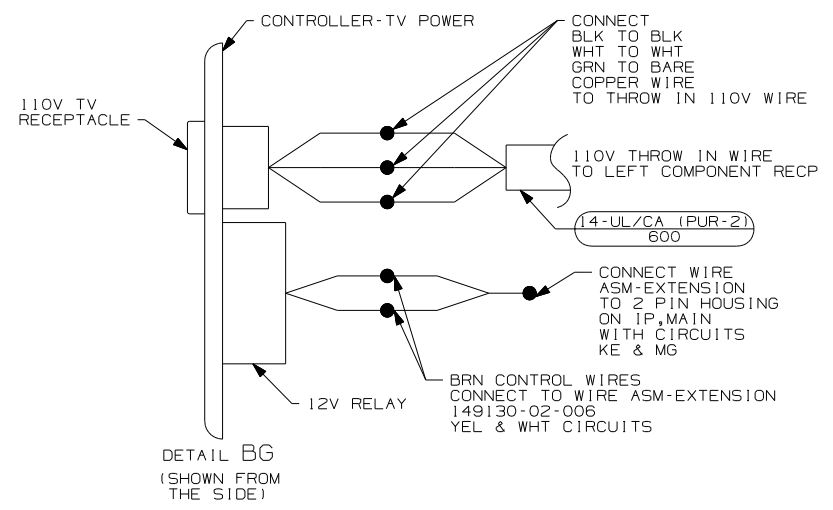
DVD/VCR 146396-04-000 FASTENER-DUAL-LOCK 85774-01-000 85774-02-000 HOME THEATER 158931-01-000 FASTENER-DUAL LOCK 85774-01-000 85774-02-000 WIRE ASM-JUMPER, SPEAKER 153349-01-000

25G

1JM

- 7 WITHOUT 25G
- 6 REMOVE VINYL FROM CUTOUT AT INSTALLATION.
- 5 FOR USE WITH SHELLS ONLY.
- 4 SWITCH SUPPLIED WITH SATELLITE DISH. SEE WIRING INSTL-BODY, 12V FOR ADDITIONAL INFORMATION.
- 3. WHERE WIRES PASS THROUGH HOLES IN STEEL AND NOT OTHERWISE PROTECTED, USE GROMMET 92908-02-000.
- 2. ALL WIRES TO BE SECURED WITH CLAMP 10495-01-000 OR CLIP 80734-01-000 EVERY 600MM. USE SCREW 667-10-12B UNLESS OTHERWISE SPECIFIED.
- 1. 110V WIRE TO BE CLAMPED WITH CLAMP 10497-05-000 WITHIN 200MM OF OUTLET BOXES, USE SCREW 667-10-12B.

- 11 WITH 1JF AND 25H
- 10 POSITION TRANSMITTER ON THE FRONT LEFT SIDE OF THE DVD/VCR USING TIE-MOUNT 155366-01-000 AND TIE-WIRE 8343-01-000 45MM UP FROM THE BOTTOM TO LINE UP WITH THE RECEIVER EYE.
- 9 POSITION TRANSMITTER IN THE MIDDLE OF THE TOP SHELF, TOWARD OUTER EDGE OF SHELF.
- 8 POSITION TRANSMITTER UNDERNEATH DVD/VCR 260MM FROM LEFT SIDE OF DVD/VCR.



DETAIL BG (SHOWN FROM THE SIDE)

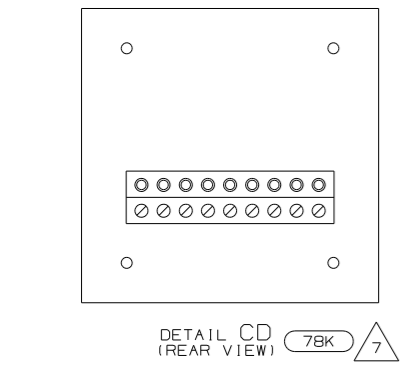
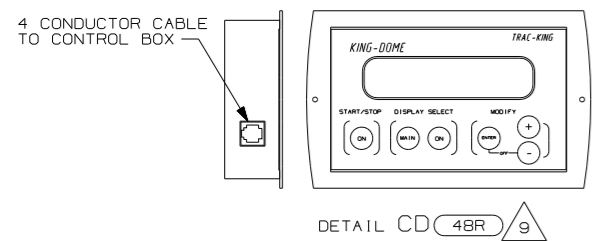
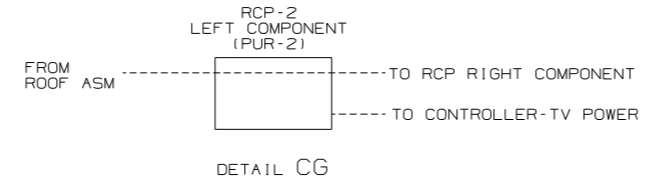
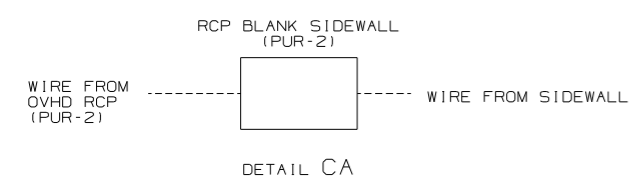
CONNECT BLK TO BLK
WHT TO WHT
GRN TO BARE
COPPER WIRE
TO THROW IN 110V WIRE

CONNECT WIRE ASM-EXTENSION TO 2 PIN HOUSING ON IP, MAIN WITH CIRCUITS KE & MG

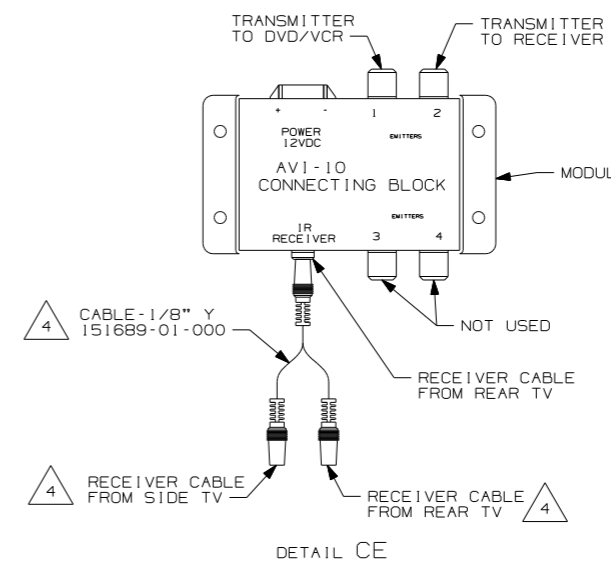
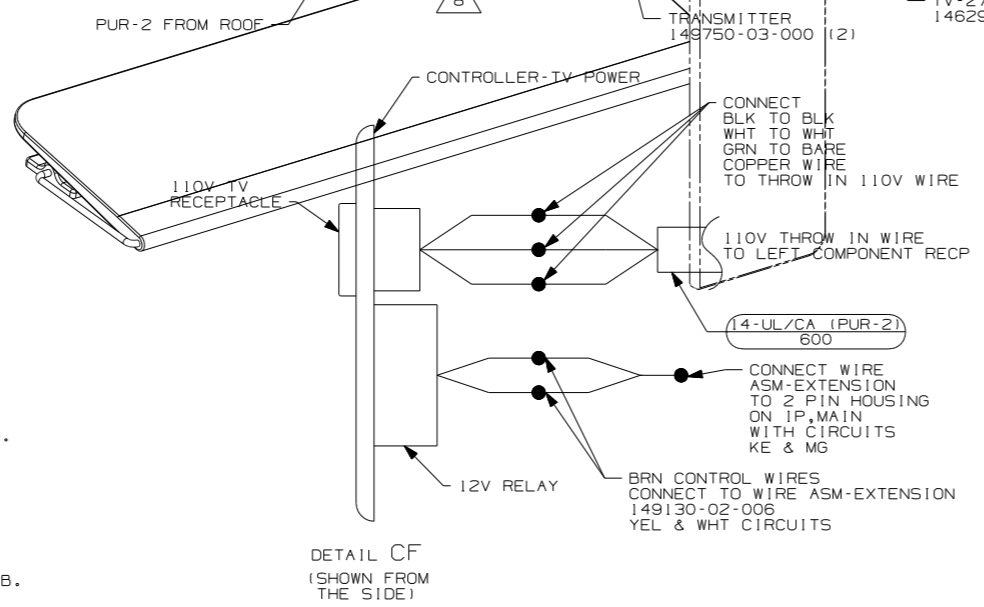
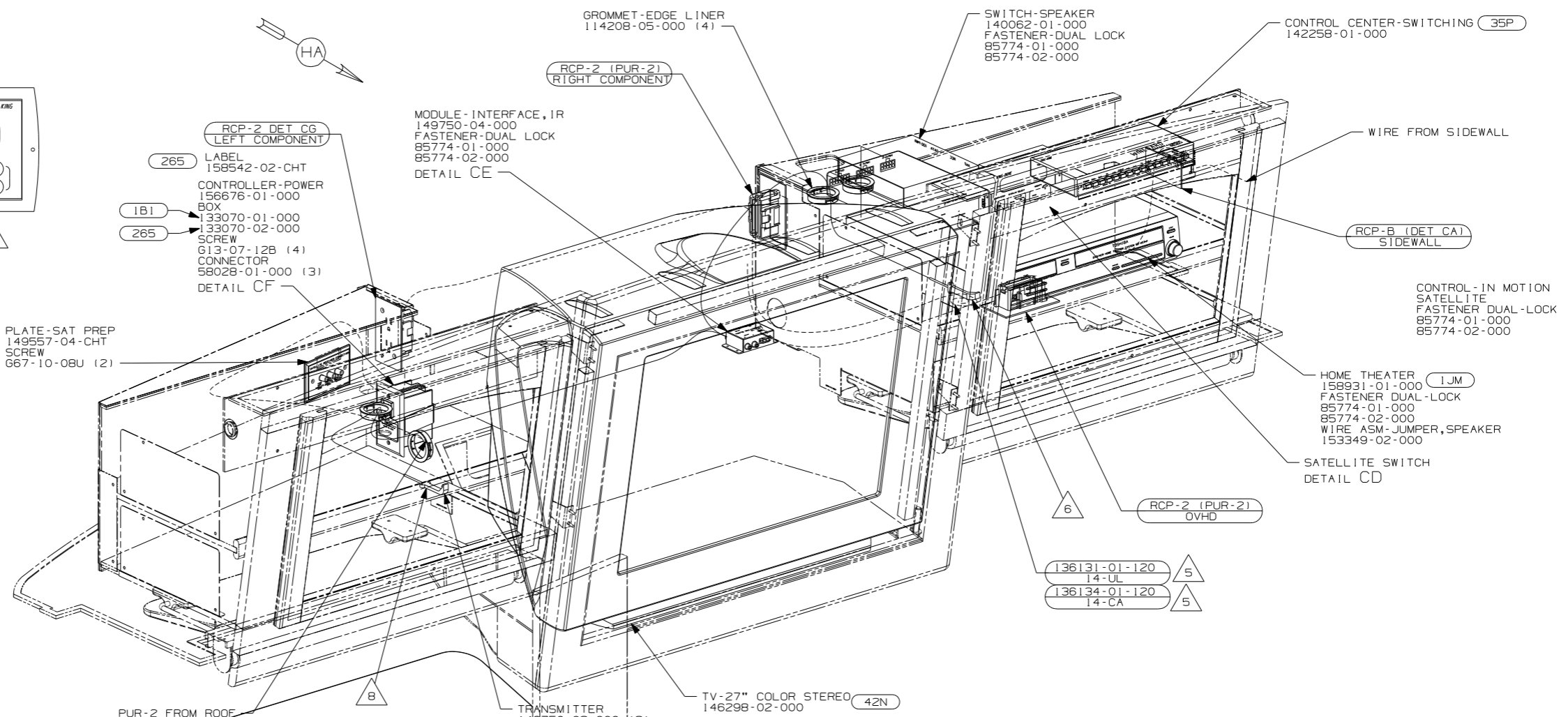
BRN CONTROL WIRES CONNECT TO WIRE ASM-EXTENSION 149130-02-006 YEL & WHT CIRCUITS

- 25H DVD/VCR-WITHOUT
- 1JF HOME THEATER SYS-WITHOUT
- 78K SATELLITE DISH-AUTOMATIC
- 10A TV (REAR)-20"COLOR, STEREO
- 1JM HOME THEATER SOUND SYSTEM
- 42J TV-24" COLOR, STEREO W/REMOTE
- 40B INVERTER-DC/AC, 300 WATT
- 35P VIDEO SELECTION SYSTEM
- 25G DVD/VCR, STEREO, W/REMOTE
- 265 CODES/STANDARDS-CSA/CMVSS
- 1B1 CODES/STANDARDS USA

FIRST USED		06 F-SERIES	
06 A-BODIES			
DO NOT SCALE DRAWING			
TITLE: WIRING INSTL-TV/DVD, FRONT			
SHEET 2	PART NO	152124	REV

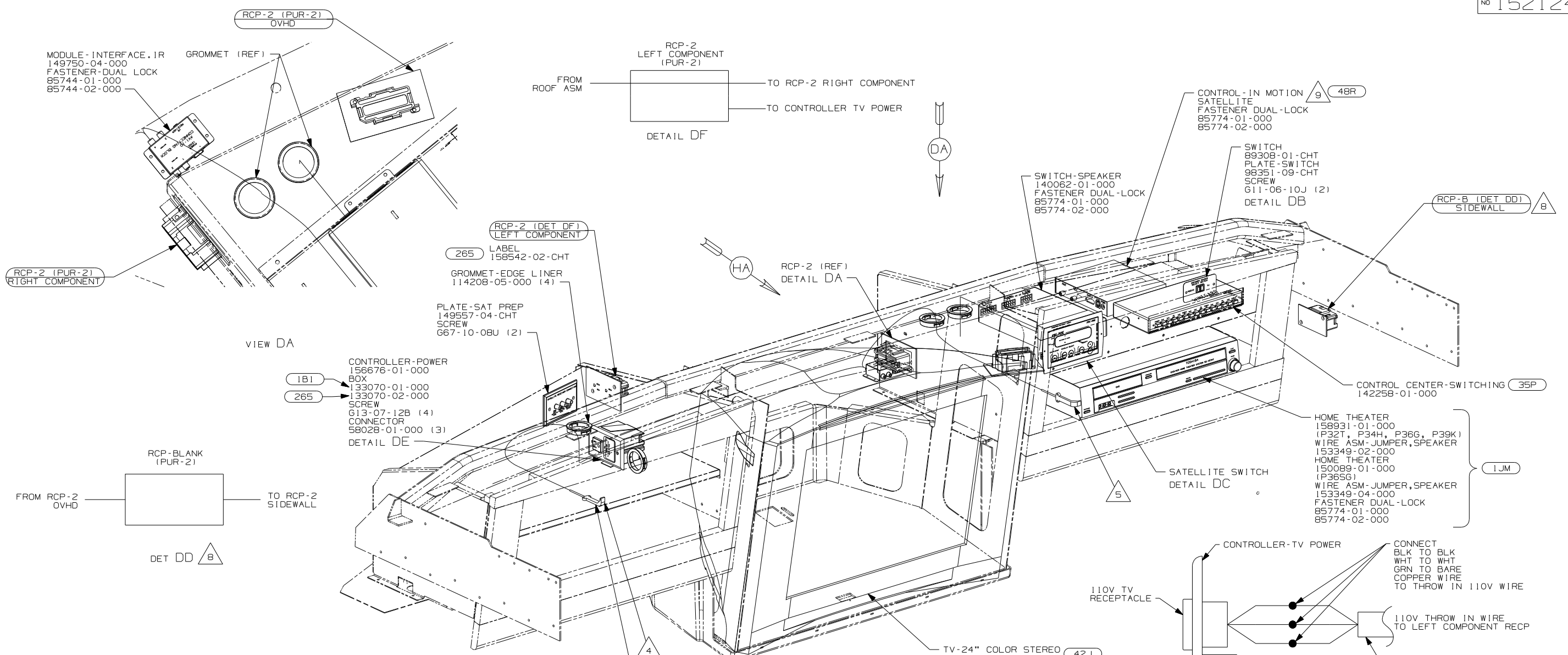


- NOTES:
- 110V WIRE TO BE CLAMPED WITH CLAMP 10497-05-000 WITHIN 200MM OF OUTLET BOXES, USE SCREW G67-10-12B.
 - ALL WIRES TO BE SECURED WITH CLAMP 10495-01-000 OR CLIP 80734-01-000 EVERY 600MM. USE SCREW G67-10-12B UNLESS OTHERWISE SPECIFIED.
 - WHERE WIRES PASS THROUGH HOLES IN STEEL AND NOT OTHERWISE PROTECTED, USE GROMMET 92908-02-000.
 - G37B WITH (42E) & (42N) ONLY.
 - FOR USE WITH SHELLS ONLY.
 - POSITION TRANSMITTER ON THE FRONT LEFT SIDE OF THE DVD/VCR USING TIE-MOUNT 155366-01-000 AND TIE-WIRE 8343-01-000 45MM UP FROM THE BOTTOM TO LINE UP WITH THE RECEIVER EYE.
 - SWITCH SUPPLIED WITH SATELLITE DISH, SEE WIRING INSTL-BODY, 12V FOR ADDITIONAL INFORMATION.
 - POSITION TRANSMITTER IN THE MIDDLE OF THE TOP SHELF, TOWARD OUTER EDGE OF SHELF.
 - PARTS ARE SUPPLIED WITH SATELLITE KIT 154474-02-000.



- (78K) SATELLITE DISH-AUTOMATIC
- (42S) TV(FRONT) 27"/HUTCH CABINET
- (48R) SAT SYS IN-MOTION W/O RCVR
- (42N) TV(FRONT) 27" COLOR STEREO
- (42E) TV-27" COLOR, STEREO W/REMOTE
- (35P) VIDEO SELECTION SYSTEM
- (1JM) HOME THEATER SOUND SYSTEM
- (265) CODES/STANDARDS-CSA/CMVSS
- (1B1) CODES/STANDARDS USA

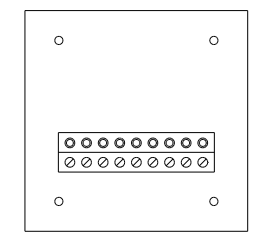
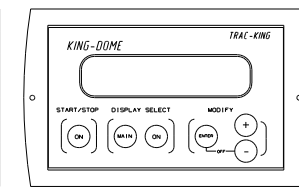
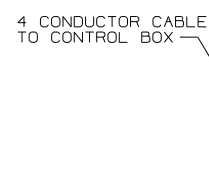
FIRST USED		06 G-SERIES	
06 A-BODIES			
DO NOT SCALE DRAWING			
TITLE: WIRING INSTL-TV/DVD, FRONT			
SHEET 3	PART NO	152124	REV



- 9 PARTS ARE SUPPLIED WITH SATELLITE KIT 154474-02-000.
- 8 USED ON P39K ONLY.
- 7 REMOVE VINYL FROM CUTOUT AT INSTALLATION.
- 6 SWITCH SUPPLIED WITH SATELLITE DISH, SEE WIRING INSTL-BODY,12V FOR ADDITIONAL INFORMATION.
- 5 POSITION TRANSMITTER ON THE FRONT LEFT SIDE OF THE DVD/VCR USING TIE-MOUNT 155366-01-000 AND TIE-WIRE 8343-01-000 45MM UP FROM THE BOTTOM TO LINE UP WITH THE RECEIVER EYE.
- 4 POSITION TRANSMITTER IN THE MIDDLE OF THE TOP SHELF, TOWARD OUTER EDGE OF SHELF.

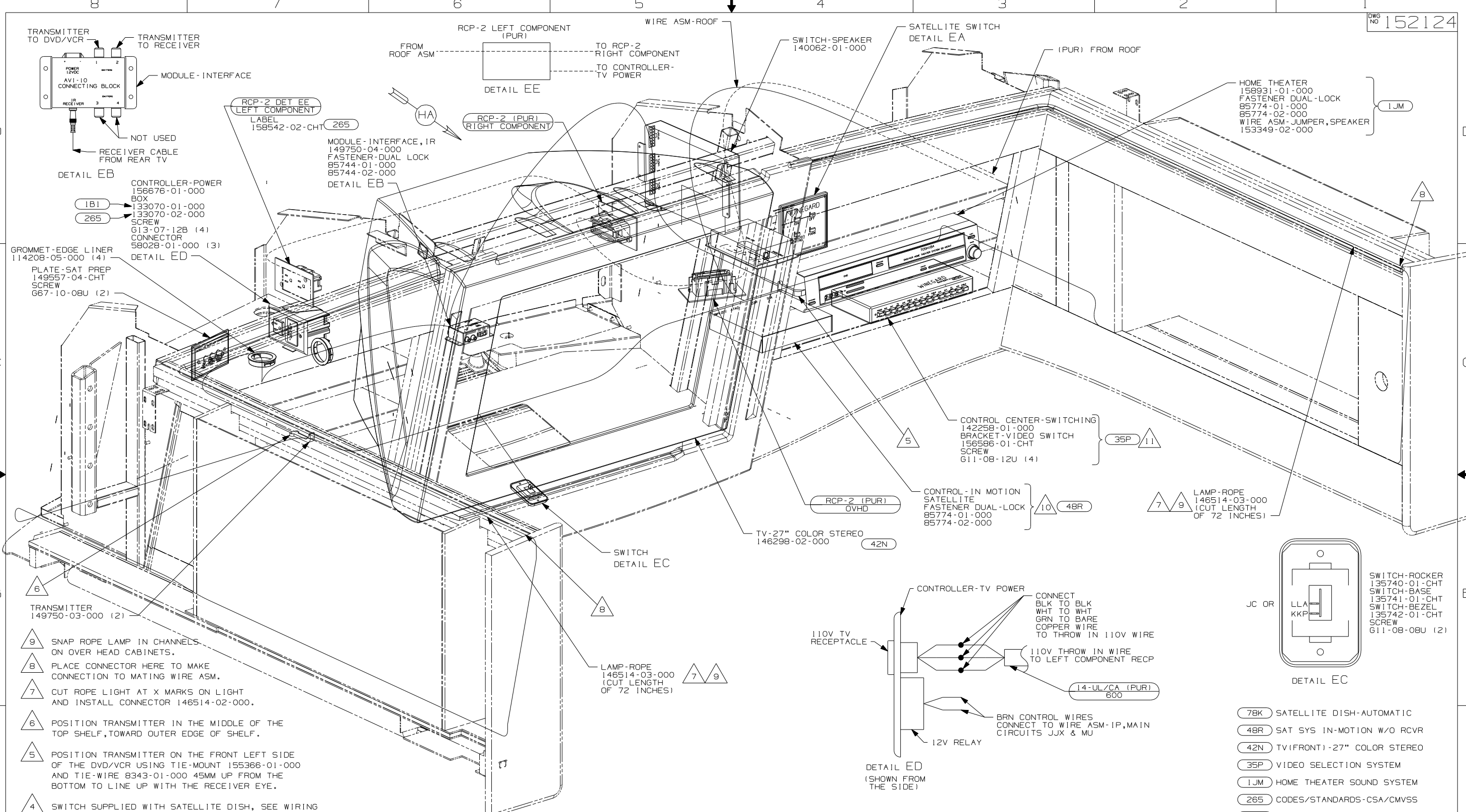
3. WHERE WIRES PASS THROUGH HOLES IN STEEL AND NOT OTHERWISE PROTECTED, USE GROMMET 92908-02-000.
2. ALL WIRES TO BE SECURED WITH CLAMP 10495 OR 10497 OR WIRE TIE 8343 OR 108046 EVERY 600MM, USE SCREW 667-10-12B UNLESS OTHERWISE SPECIFIED.
1. 110V WIRE TO BE CLAMPED WITH CLAMP 10497-05-000 WITHIN 200MM OF OUTLET BOXES, USE SCREW 667-10-12B.

NOTES:



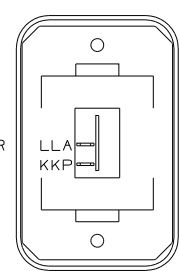
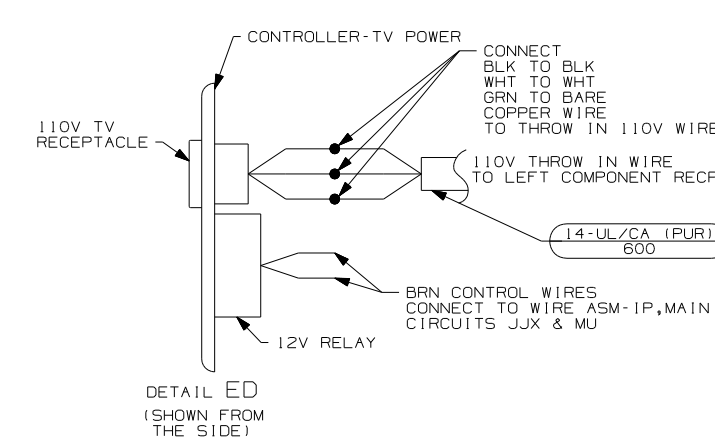
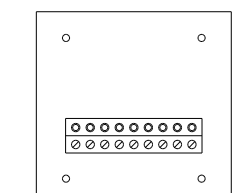
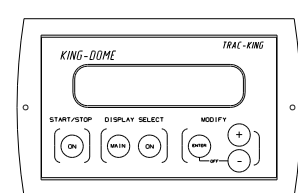
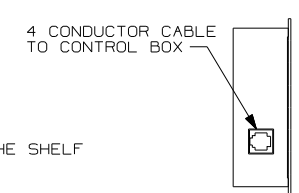
- 79J INVERTER/CHARGER-1,500 WATT
- 78K SATELLITE DISH-AUTOMATIC
- 48R SAT SYS IN-MOTION W/O RCVR
- 42J TV-24" COLOR,STEREO W/REMOTE
- 35P VIDEO SELECTION SYSTEM
- 1JM HOME THEATER SOUND SYSTEM

06 P-SERIES	
FIRST USED	
06 A-BODIES	
DO NOT SCALE DRAWING	
TITLE:	
WIRING INSTL-TV/DVD,FRONT	
SHEET 4	PART NO 152124 REV



- NOTES:
- 110V WIRE TO BE CLAMPED WITH CLAMP 10497-05-000 WITHIN 200MM OF OUTLET BOXES, USE SCREW 667-10-12B.
 - WHERE WIRES PASS THROUGH HOLES IN STEEL AND NOT OTHERWISE PROTECTED, USE GROMMET 92908-02-000.
 - ALL WIRES TO BE SECURED WITH CLAMP 10495-01-000 OR CLIP 80734-01-000 EVERY 600MM. USE SCREW 667-10-12B UNLESS OTHERWISE SPECIFIED.

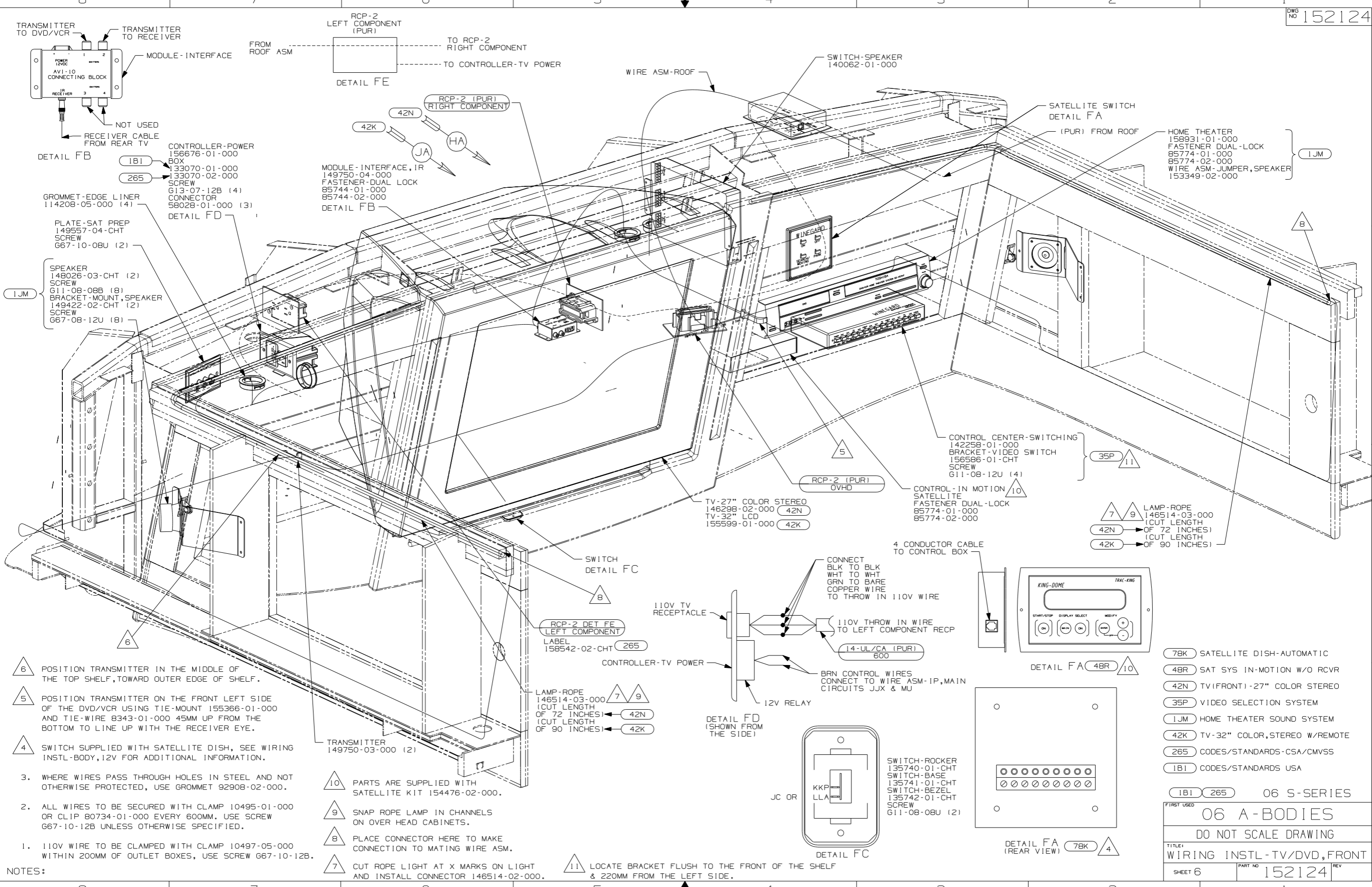
- 11 LOCATE BRACKET FLUSH TO THE FRONT OF THE SHELF & 220MM FROM THE LEFT SIDE.
- 10 PARTS ARE SUPPLIED WITH SATELLITE KIT 154476-02-000.



SWITCH-ROCKER
135740-01-CHT
SWITCH-BASE
135741-01-CHT
SWITCH-BEZEL
135742-01-CHT
SCREW
611-08-08U (2)

- 78K SATELLITE DISH-AUTOMATIC
- 48R SAT SYS IN-MOTION W/O RCVR
- 42N TV(FRONT)-27" COLOR STEREO
- 35P VIDEO SELECTION SYSTEM
- 1JM HOME THEATER SOUND SYSTEM
- 265 CODES/STANDARDS-CSA/CMVSS
- 1B1 CODES/STANDARDS USA

FIRST USED		06 R-SERIES	
06 A-BODIES			
DO NOT SCALE DRAWING			
TITLE: WIRING INSTL-TV/DVD,FRONT			
SHEET 5	PART NO	152124	REV



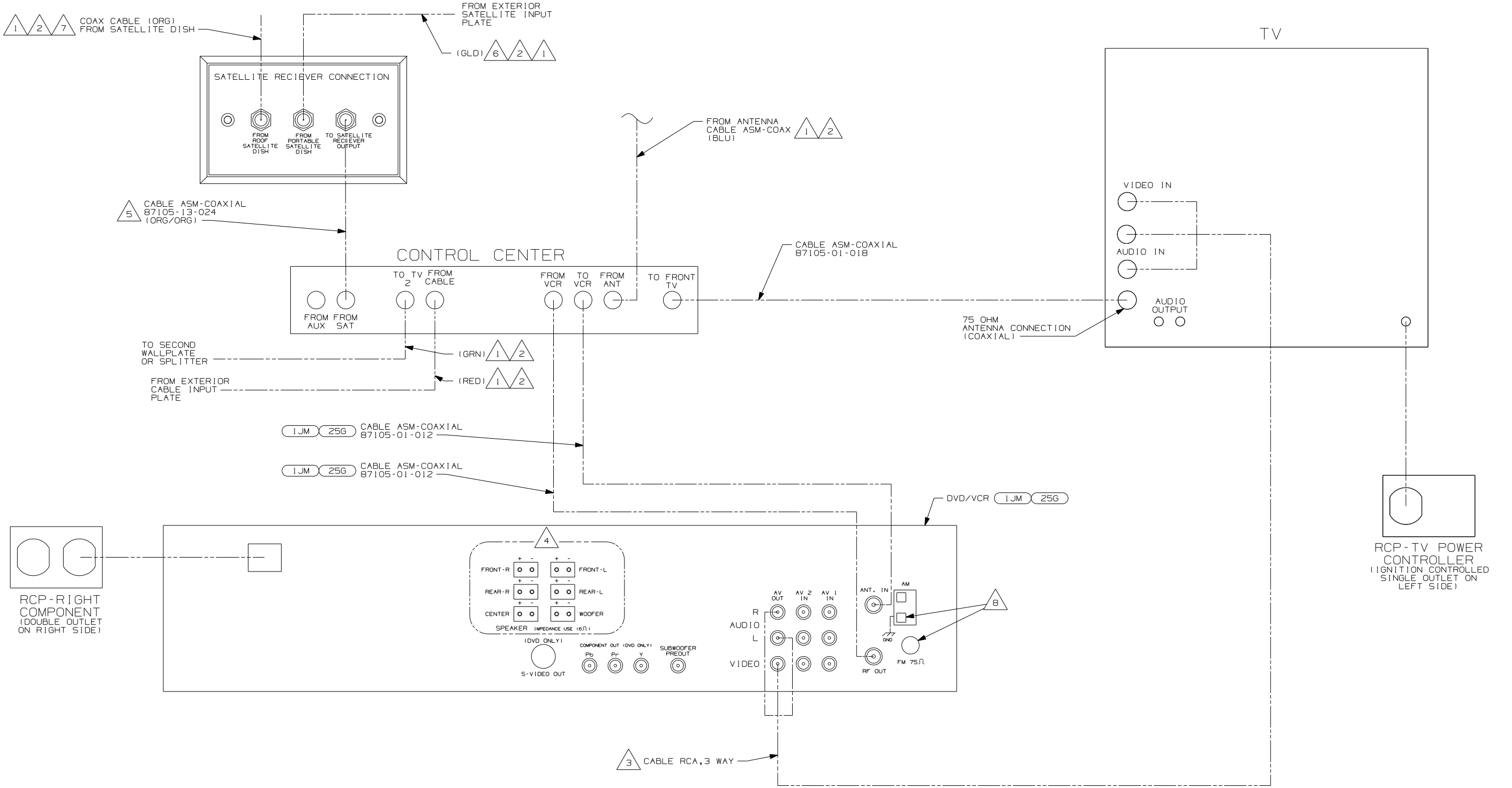
- NOTES:**
- 110V WIRE TO BE CLAMPED WITH CLAMP 10497-05-000 WITHIN 200MM OF OUTLET BOXES, USE SCREW 667-10-12B.
 - ALL WIRES TO BE SECURED WITH CLAMP 10495-01-000 OR CLIP 80734-01-000 EVERY 600MM. USE SCREW 667-10-12B UNLESS OTHERWISE SPECIFIED.
 - WHERE WIRES PASS THROUGH HOLES IN STEEL AND NOT OTHERWISE PROTECTED, USE GROMMET 92908-02-000.
 - SWITCH SUPPLIED WITH SATELLITE DISH, SEE WIRING INSTL-BODY, 12V FOR ADDITIONAL INFORMATION.
 - POSITION TRANSMITTER ON THE FRONT LEFT SIDE OF THE DVD/VCR USING TIE-MOUNT 155366-01-000 AND TIE-WIRE 8343-01-000 45MM UP FROM THE BOTTOM TO LINE UP WITH THE RECEIVER EYE.
 - POSITION TRANSMITTER IN THE MIDDLE OF THE TOP SHELF, TOWARD OUTER EDGE OF SHELF.

- 10** PARTS ARE SUPPLIED WITH SATELLITE KIT 154476-02-000.
- 9** SNAP ROPE LAMP IN CHANNELS ON OVER HEAD CABINETS.
- 8** PLACE CONNECTOR HERE TO MAKE CONNECTION TO MATING WIRE ASM.
- 7** CUT ROPE LIGHT AT X MARKS ON LIGHT AND INSTALL CONNECTOR 146514-02-000.

- 11** LOCATE BRACKET FLUSH TO THE FRONT OF THE SHELF & 220MM FROM THE LEFT SIDE.

- 78K SATELLITE DISH-AUTOMATIC
- 48R SAT SYS IN-MOTION W/O RCVR
- 42N TV(FRONT)-27" COLOR STEREO
- 35P VIDEO SELECTION SYSTEM
- 1JM HOME THEATER SOUND SYSTEM
- 42K TV-32" COLOR, STEREO W/REMOTE
- 265 CODES/STANDARDS-CSA/CMVSS
- 1B1 CODES/STANDARDS USA

FIRST USED	
06 A-BODIES	
DO NOT SCALE DRAWING	
TITLE: WIRING INSTL-TV/DVD, FRONT	
SHEET 6	PART NO 152124 REV



- NOTES:
- △5 CONNECTED TO THE FRONT SIDE OF SATELLITE PREP PLATE, CONNECTION LABELED 'TO SATELLITE RECEIVER OUTPUT.'
 - △4 WITH FEATURE (1JM) CUT SUPPLIED SPEAKER WIRES TO A LENGTH OF 150MM AND CONNECT TO MATCHING CIRCUITS ON WIRE ASM SIDE TV.
 - △3 CABLE IS SUPPLIED WITH RECEIVER.
 - △2 CABLE ROUTED IN ROOF.
 - △1 CABLE ASM MARKED WITH COLORED TAPE.

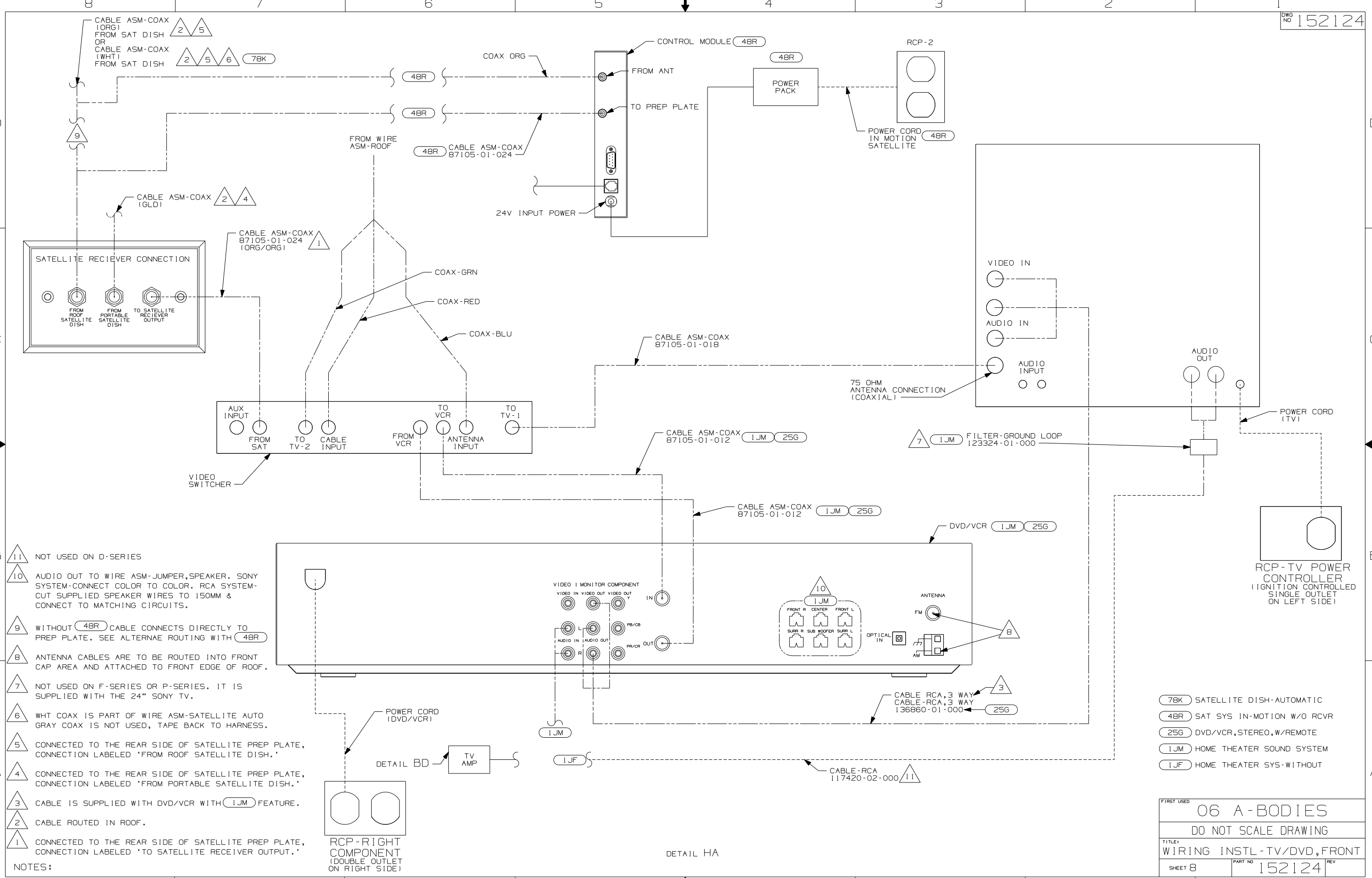
- △8 ANTENNA CABLES ARE TO BE ROUTED INTO FRONT CAP AREA AND ATTACHED TO FRONT EDGE OF ROOF.
- △7 CONNECTED TO THE REAR SIDE OF SATELLITE PREP PLATE, CONNECTION LABELED 'FROM ROOF SATELLITE DISH.'
- △6 CONNECTED TO THE REAR SIDE OF SATELLITE PREP PLATE, CONNECTION LABELED 'FROM PORTABLE SATELLITE DISH.'

DETAIL GA

- (43N) TV (RR1)-19", VIDEO SELECTION
- (25G) DVD/VCR, STEREO, W/REMOTE
- (1JM) HOME THEATER SOUND SYSTEM

FIRST USED	
06 A-BODIES	
DO NOT SCALE DRAWING	
TITLE:	
WIRING INSTL-TV/DVD, FRONT	
SHEET 7	PART NO 152124 REV

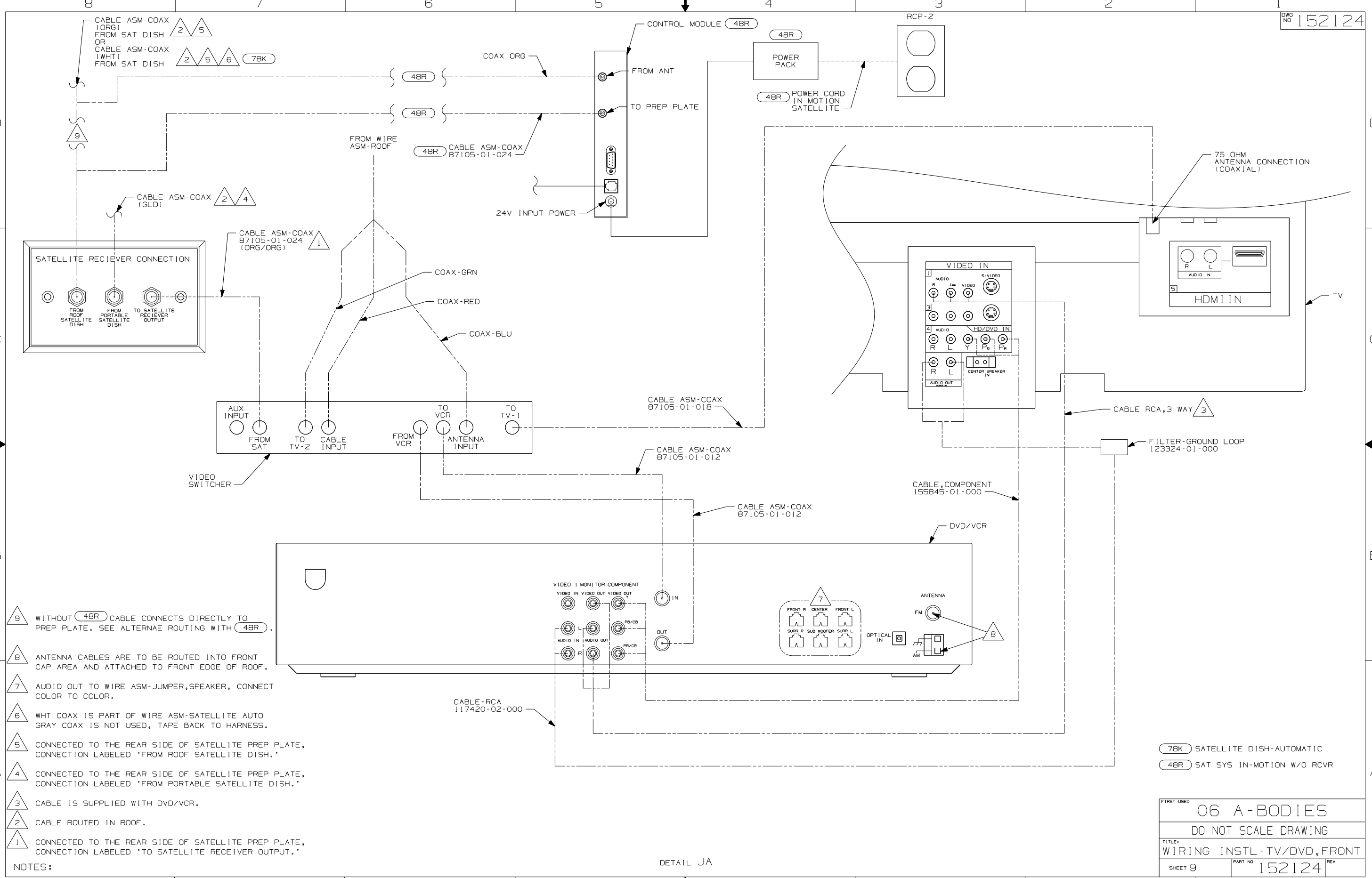
D-SERIES



- 11 NOT USED ON D-SERIES
- 10 AUDIO OUT TO WIRE ASM-JUMPER, SPEAKER. SONY SYSTEM-CONNECT COLOR TO COLOR. RCA SYSTEM-CUT SUPPLIED SPEAKER WIRES TO 150MM & CONNECT TO MATCHING CIRCUITS.
- 9 WITHOUT 48R CABLE CONNECTS DIRECTLY TO PREP PLATE. SEE ALTERNAE ROUTING WITH 48R
- 8 ANTENNA CABLES ARE TO BE ROUTED INTO FRONT CAP AREA AND ATTACHED TO FRONT EDGE OF ROOF.
- 7 NOT USED ON F-SERIES OR P-SERIES. IT IS SUPPLIED WITH THE 24" SONY TV.
- 6 WHT COAX IS PART OF WIRE ASM-SATELLITE AUTO GRAY COAX IS NOT USED, TAPE BACK TO HARNESS.
- 5 CONNECTED TO THE REAR SIDE OF SATELLITE PREP PLATE, CONNECTION LABELED 'FROM ROOF SATELLITE DISH.'
- 4 CONNECTED TO THE REAR SIDE OF SATELLITE PREP PLATE, CONNECTION LABELED 'FROM PORTABLE SATELLITE DISH.'
- 3 CABLE IS SUPPLIED WITH DVD/VCR WITH 1JM FEATURE.
- 2 CABLE ROUTED IN ROOF.
- 1 CONNECTED TO THE REAR SIDE OF SATELLITE PREP PLATE, CONNECTION LABELED 'TO SATELLITE RECEIVER OUTPUT.'

- 78K SATELLITE DISH-AUTOMATIC
- 48R SAT SYS IN-MOTION W/O RCVR
- 25G DVD/VCR, STEREO, W/REMOTE
- 1JM HOME THEATER SOUND SYSTEM
- 1JF HOME THEATER SYS-WITHOUT

FIRST USED		06 A-BODIES	
DO NOT SCALE DRAWING			
TITLE: WIRING INSTL - TV/DVD, FRONT			
SHEET 8	PART NO	152124	REV



- NOTES:
- 9 WITHOUT 48R CABLE CONNECTS DIRECTLY TO PREP PLATE. SEE ALTERNAE ROUTING WITH 48R .
 - 8 ANTENNA CABLES ARE TO BE ROUTED INTO FRONT CAP AREA AND ATTACHED TO FRONT EDGE OF ROOF.
 - 7 AUDIO OUT TO WIRE ASM-JUMPER,SPEAKER, CONNECT COLOR TO COLOR.
 - 6 WHT COAX IS PART OF WIRE ASM-SATELLITE AUTO GRAY COAX IS NOT USED, TAPE BACK TO HARNESS.
 - 5 CONNECTED TO THE REAR SIDE OF SATELLITE PREP PLATE, CONNECTION LABELED 'FROM ROOF SATELLITE DISH.'
 - 4 CONNECTED TO THE REAR SIDE OF SATELLITE PREP PLATE, CONNECTION LABELED 'FROM PORTABLE SATELLITE DISH.'
 - 3 CABLE IS SUPPLIED WITH DVD/VCR.
 - 2 CABLE ROUTED IN ROOF.
 - 1 CONNECTED TO THE REAR SIDE OF SATELLITE PREP PLATE, CONNECTION LABELED 'TO SATELLITE RECEIVER OUTPUT.'

78K SATELLITE DISH-AUTOMATIC
 48R SAT SYS IN-MOTION W/O RCVR

FIRST USED	06 A-BODIES		
TITLE:	DO NOT SCALE DRAWING		
	WIRING INSTL-TV/DVD,FRONT		
SHEET 9	PART NO	152124	REV

DETAIL JA

TERMINALS

SPLICES

NO.	PART NUMBER	DESCRIPTION
B-1	50003-01	TERMINAL-PIN, 16-14 GA, .156 DIA
B-2	50004-01	TERMINAL-RECP, 16-14 GA, .156 DIA
B-11	50003-02	TERMINAL-PIN, 16-14 GA, .180 DIA
B-12	50004-02	TERMINAL-RECP, 16-14 GA, .180 DIA
WP-1	106950-01	TERMINAL-PIN, 16-14 GA
WP-2	106950-02	TERMINAL-PIN, 10-12 GA
WP-3	106950-03	TERMINAL-PIN, 8 GA
R-1	35416-01	TERMINAL-RING, #10 STD, 8 GA
R-2	35416-02	TERMINAL-RING, #10 STD, 6 GA
R-3	35416-03	TERMINAL-RING, #10 STD, 10-12 GA
R-4	35416-04	TERMINAL-RING, #10 STD, 14-16 GA
R-5	37018-01	TERMINAL-RING, 5/16 STD, 12-10 GA
R-6	102777-01	TERMINAL-RING, #6 STD, 14-16 GA
R-7	102777-02	TERMINAL-RING, #6 STD, 10-12 GA
R-8	102777-03	TERMINAL-RING, #6 STD, 8 GA
R-9	33787-01	TERMINAL-RING, #10 STD, 14 GA
R-60	8325-01	TERMINAL-RING, 1/4 STD, 14-16 GA
R-61	8326-01	TERMINAL-RING, 3/8 STD, 14-16 GA
R-62	8327-01	TERMINAL-RING, #10 STD, 14-16 GA
R-63	8328-01	TERMINAL-RING, #10 STD, 10-12 GA
R-64	8328-02	TERMINAL-RING, 3/8 STD, 10-12 GA
R-65	8329-01	TERMINAL-RING, 3/8 STD, 8 GA
R-66	8331-01	TERMINAL-RING, 3/8 STD, 4 GA
R-67	8332-01	TERMINAL-RING, 1/4 STD, 6 GA
R-68	8332-02	TERMINAL-RING, 1/4 STD, 10 GA
R-69	8350-01	TERMINAL-RING, 3/8 STD, 6 GA
R-70	99275-02	TERMINAL-RING, 7/16 STD, 8 GA
R-71	101397-01	TERMINAL-RING, #10 STD, 14-16 GA
R-91	88791-01	TERMINAL-RING, 3/8, 90°, 1/0 GA
R-92	88791-02	TERMINAL-RING, 3/8, 90°, 2 GA
R-93	8348-01	TERMINAL-RING, 3/8 STD, 2 GA
R-94	99275-01	TERMINAL-RING, 7/16 STD, 1/0 GA
RF-51	7944-01	TERMINAL-SPADE, 12-10 GA, #8 STUD
RF-52	7945-01	TERMINAL-SPADE, 18-14 GA, #8 STUD
TR-1	47443-01	TERMINAL-RECP, 16-14 GA, .25, INS
TR-2	47443-02	TERMINAL-RECP, 12-10 GA, .25, INS
TR-3	47443-05	TERMINAL-RECP, 22-18 GA, .25, INS
TR-11	47443-03	TERMINAL-RECP, 16-14 GA, .19, INS
TR-12	47443-04	TERMINAL-RECP, 16-14 GA, .11, INS
TR-21	80015-01	TERMINAL-RECP, 22-18 GA, .250, 90 DEG FOR USE WITH TAB THICKNESS .032
TR-22	80015-02	TERMINAL-RECP, 16-14 GA, .187, 90 DEG FOR USE WITH TAB THICKNESS .032
TR-23	80015-03	TERMINAL-RECP, 16-14 GA, .250, 90 DEG FOR USE WITH TAB THICKNESS .032
TR-24	80015-04	TERMINAL-RECP, 16-14 GA, .187, 90 DEG FOR USE WITH TAB THICKNESS .020
TR-51	7940-01	TERMINAL-RECP, 16-12 GA, .25, UNINS
TR-52	23809-01	TERMINAL-RECP, 16-14 GA, .19, UNINS
TR-53	23809-02	TERMINAL-RECP, 18-20 GA, .25, UNINS
TR-54	49270-01	TERMINAL-RECP, 18-20 GA, .19, UNINS
TR-55	7940-02	TERMINAL-RECP, 10 GA, .25, UNINS
TT-1	85745-02	TERMINAL-TAB, 16-14 GA, .25, INS
TT-2	85745-03	TERMINAL-TAB, 10-12 GA, .25, INS
TT-11	85745-04	TERMINAL-TAB, 18-22 GA, .19, INS
TT-51	7942-01	TERMINAL-TAB, 16-14 GA, .25, UNINS
TT-52	7943-01	TERMINAL-TAB, 14-10 GA, .25, UNINS
MF6-1	129236-01	TERMINAL-FEM, M/P, 630, 10-12
MF6-2	129236-02	TERMINAL-FEM, M/P, 630, 14-16

NO.	PART NUMBER	DESCRIPTION
BS-1	31876-01	SPLICE-BUTT, 16-14 GA, BLUE
BS-2	31876-02	SPLICE-BUTT, 12-10 GA, YELLOW
BS-3	31876-03	SPLICE-BUTT, 22-18 GA, RED
BS-SB	100070-01	SPLICE-BUTT, 14-16 GA, SHRINK, BLUE
BS-RB	112823-01	SPLICE-BUTT, 14-22 GA, REDUCER
S-1	7946-01	SPLICE, 1-6 MM ²
S-2	23808-01	SPLICE, 6-9 MM ²
1-2	7956-02	SHRINK WRAP .375 DIA
1-5	7956-05	SHRINK WRAP .25 DIA
SH-1	58028-01	SPLICE-HAT
S-10	101173-01	SPLICE-BARREL, 26300 CMA

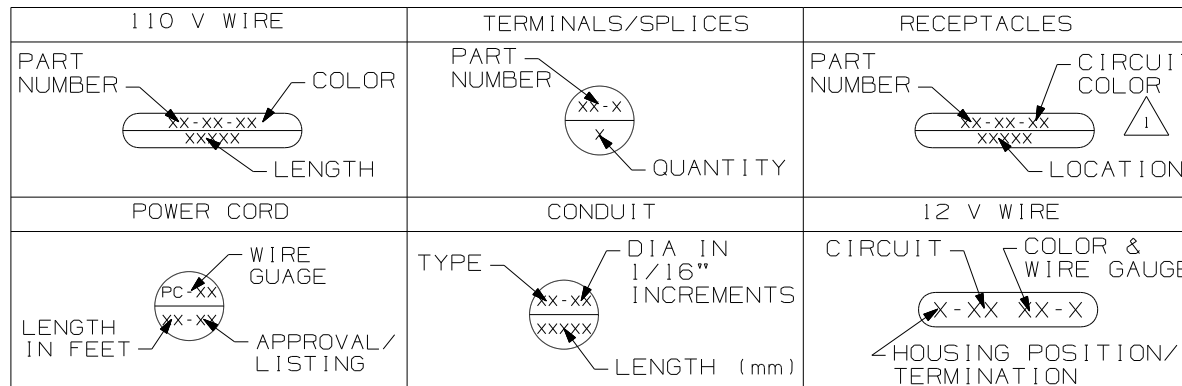
NO.	PART NUMBER	DESCRIPTION
SP-1	90986-02	PLUG ASM-ELECTRIC STEP
SP-2	142524-01-000 098261-01-000 098262-07-000 098261-02-000 (3) 098262-01-000 (3)	HOUSING-4 PIN SOCKET-CONNECTOR SEAL-CONNECTOR SOCKET-CONNECTOR SEAL-CONNECTOR
HR-1	63910-01	HOUSING-RELAY
MP-8	125323-02	HOUSING-PIN, 8 CAVITY
MP-10	125323-01	HOUSING-PIN, 10 CAVITY
MPP	125324-01	TERMINAL-MALE, M/P, 150
CAV-1	125325-01	SEAL-CAVITY, 150-SERIES M/P
CON-3	98262-03	SEAL-CONNECTOR
LS-8	125323-03	LOCK-SECONDARY 8 POSITION
LS-10	125323-04	LOCK-SECONDARY 10 POSITION
H-8	108355-01	HOUSING-SWITCH, 8 POSITION
H-12	108355-02	HOUSING-SWITCH, 12 POSITION

NO.	PART NUMBER	DESCRIPTION
GEN-1	125323-02-000 125324-01-000 (4) 098262-03-000 (4) 125325-01-000 (4) 125323-03-000	HOUSING-8 POSN, MALE, 150 SERIES TERMINAL-MALE, M/P, 150 SEAL-CONNECTOR SEAL-CAVITY, 150 SERIES M/P LOCK-SECONDARY 8 POSITION
GEN-2	125323-01-000 125324-01-000 (5) 098262-03-000 (5) 125325-01-000 (5) 125323-04-000	HOUSING-10 POSN, MALE, 150 SERIES TERMINAL-MALE, M/P, 150 SEAL-CONNECTOR SEAL-CAVITY, 150 SERIES M/P LOCK-SECONDARY 10 POSITION

HOUSINGS AND TERMINALS

NO.	PART NUMBER	DESCRIPTION
HS-2	88474-10	HOUSING-SOCKET, 2 CAVITY
HS-3	88474-09	HOUSING-SOCKET, 3 CAVITY
HS-4	88474-08	HOUSING-SOCKET, 4 CAVITY
HS-5	88474-07	HOUSING-SOCKET, 5 CAVITY
HS-6	88474-06	HOUSING-SOCKET, 6 CAVITY
HS-7	88474-05	HOUSING-SOCKET, 6 CAVITY-IN LINE
HS-9	88474-03	HOUSING-SOCKET, 9 CAVITY
HS-12	88474-01	HOUSING-SOCKET, 12 CAVITY
HS-15	88474-02	HOUSING-SOCKET, 15 CAVITY
HS-2-R	88474-12	HOUSING-SOCKET, 2 CAVITY-RED
HP-2	88473-10	HOUSING-PIN, 2 CAVITY
HP-3	88473-09	HOUSING-PIN, 3 CAVITY
HP-4	88473-08	HOUSING-PIN, 4 CAVITY
HP-5	88473-07	HOUSING-PIN, 5 CAVITY
HP-6	88473-06	HOUSING-PIN, 6 CAVITY
HP-7	88473-05	HOUSING-PIN, 6 CAVITY-IN LINE
HP-8	88473-04	HOUSING-PIN, 8 CAVITY-IN LINE
HP-9	88473-03	HOUSING-PIN, 9 CAVITY
HP-12	88473-01	HOUSING-PIN, 12 CAVITY
HP-15	88473-02	HOUSING-PIN, 15 CAVITY
HP-2-R	88473-15	HOUSING-PIN, 2 CAVITY-RED
HP-3-B	88473-12	HOUSING-PIN, 3 CAVITY-BLUE
HP-3-G	88473-13	HOUSING-PIN, 3 CAVITY-GREEN
HP-3-R	88473-14	HOUSING-PIN, 3 CAVITY-RED
TS-1	88476-01	SOCKET-CONNECTOR, 20-14 GA
TS-2	88476-02	SOCKET-CONNECTOR, 12-10 GA
TP-1	88475-01	PIN-CONNECTOR, 20-14 GA
TP-2	88475-02	PIN-CONNECTOR, 12-10 GA
HS2HA	137208-01	HOUSING-SOCKET, 2 CAVITY-HIGH AMP
HP2HA	137207-01	HOUSING-PIN, 2 CAVITY-HIGH AMP
TS-HA	137210-01	SOCKET-CONNECTOR, 10AWG HIGH AMP
TP-HA	137209-01	PIN-CONNECTOR, 10AWG HIGH AMP
H-HA	104100-01	HOUSING, 1 CAVITY 75 AMP
T-HA	104100-03	TERMINAL 10 AWG - 6 AWG 75 AMP

BALLOON CALLOUT LEGEND



WINNEBAGO COPYRIGHT 2006 WINNEBAGO INDUSTRIES, INC.

UNSPECIFIED TOLERANCES ARE: MATERIAL:

WHOLE DIM (X) :
 ONE-PLACE (X.X) :
 TWO-PLACE (X.XX) :
 ANGLE :

THIRD ANGLE PROJECTION

DO NOT SCALE DRAWING

TITLE: PART LISTING-ELECTRICAL

SHEET 1 OF 7 PART NO 121339 REV

1 FOR RECP-BLANK, DET-X DENOTES DETAIL VIEW. 2 CONTACT WIRE PREP PRIOR TO USING FOR TOOLING PURPOSES.

WIRE-SINGLE INS CONDUCTOR, STRANDED

NO.	PART NUMBER	DESCRIPTION
18-W 18-Y	156658-01 156658-02	WIRE, 18 GA. WHITE, PVC WIRE, 18 GA. YELLOW, PVC
16-Y 16-W	89360-01 89360-02	WIRE, 16 GA. YELLOW, PVC WIRE, 16 GA. WHITE, PVC
14-Y 14-W	48554-02 48554-04	WIRE, 14 GA. YELLOW, PVC WIRE, 14 GA. WHITE, PVC
12-Y 12-W	48555-02 48555-04	WIRE, 12 GA. YELLOW, PVC WIRE, 12 GA. WHITE, PVC
10-Y 10-W	8000-03 8000-05	WIRE, 10 GA. YELLOW, PVC WIRE, 10 GA. WHITE, PVC
8-B 8-G	8005-01 8005-03	WIRE, 8 GA. BLACK, PVC WIRE, 8 GA. GREEN, PVC
6-B 6-G	70065-01 70065-03	WIRE, 6 GA. BLACK, PVC WIRE, 6 GA. GREEN, PVC
18-WX 18-YX	121015-01 121015-02	WIRE, 18 GA. WHITE, XLPE WIRE, 18 GA. YELLOW, XLPE
16-YX 16-WX	116675-01 116675-02	WIRE, 16 GA. YELLOW, XLPE WIRE, 16 GA. WHITE, XLPE
14-YX 14-WX	98586-01 98586-02	WIRE, 14 GA. YELLOW, XLPE WIRE, 14 GA. WHITE, XLPE
12-YX 12-WX	98609-01 98609-02	WIRE, 12 GA. YELLOW, XLPE WIRE, 12 GA. WHITE, XLPE
10-YX 10-WX	116676-03 116676-04	WIRE, 10 GA. YELLOW, XLPE WIRE, 10 GA. WHITE, XLPE
8-BX 8-GX	116674-01 116674-02	WIRE, 8 GA. BLACK, XLPE WIRE, 8 GA. GREEN, XLPE
6-BX 6-GX	116687-01 116687-02	WIRE, 6 GA. BLACK, XLPE WIRE, 6 GA. GREEN, XLPE

RECEPTACLES

NO.	PART NUMBER	DESCRIPTION
RCP-1	86738-02-CHT	RECEPTACLE-SINGLE, FLUSH MOUNT
RCP-2	86738-01-CHT	RECEPTACLE-DOUBLE, FLUSH MOUNT
RCP-3	58707-01-000	RECEPTACLE-SINGLE, SURFACE MOUNT
RCP-4	157360-01-000	RECEPTACLE-SINGLE, SURFACE MOUNT, 20A
RCP-5	160984-01-CHT	RECEPTACLE-SINGLE, FLUSH MOUNT, 20A
RCP-B	58707-02-000	RECEPTACLE-BLANK, JUNCTION
RCP-E	131826-01-CHT	INCLUDES COVER & GASKET

WIRE-NM SHEATHED CABLE

NO.	PART NUMBER	DESCRIPTION
14 UL	8027-01-000	WIRE 14-2 ROMEX W/GROUND (UL)
14 CA	8023-02-000	WIRE 14-2 ROMEX W/GROUND (CAN)
12 UL	8026-01-000	WIRE 12-2 ROMEX W/GROUND (UL)
12 CA	8023-01-000	WIRE 12-2 ROMEX W/GROUND (CAN)
12-3 UL	8026-03-000	WIRE 12-3 ROMEX W/GROUND (UL)
12-3 CA	8023-03-000	WIRE 12-3 ROMEX W/GROUND (CAN)
10 UL	8022-01-000	WIRE 10-2 ROMEX W/GROUND (UL)
10 CA	24743-01-000	WIRE 10-2 ROMEX W/GROUND (CAN)
6-3 UL	108914-01-000	WIRE 6-3 ROMEX W/GROUND (UL)
6-3 CA	113136-01-000	WIRE 6-3 ROMEX W/GROUND (CAN)
6-2 UL	108914-02-000	WIRE 6-2 ROMEX W/GROUND (UL)
4-3 UL	128375-01-000	WIRE 4-3 ROMEX W/GROUND (UL)
4-3 CA	128375-01-000	WIRE 4-3 ROMEX W/GROUND (CAN)

POWER CORDS

NO.	PART NUMBER	DESCRIPTION
PC-10 28	8054-01-000	POWER CORD 10 GA, 30 AMP, 28 FT. (UL/CA)
PC-10 35	8054-02-000	POWER CORD 10 GA, 30 AMP, 35 FT. (UL/CA)
PC-10 30-CA	8052-01-000	SUPERCEDED BY 8054-01-000
PC-6 36	108934-01-000	POWER CORD 6 GA, 50 AMP, 36 FT. (UL/CA)
PC-6 36-FX	108934-02-000	POWER CORD 6 GA, 50 AMP, 36 FT. (UL/CSA) SUPERFLEX
PC-6 36-CA	113096-01-000	SUPERCEDED BY 108934-02-000

CIRCUIT COLOR LEGEND

110V CIRCUIT	WIRE COLOR	COAXIAL CIRCUIT
A/C CIRCUIT 1	RED	CABLE INPUT W/O SPLITTER
A/C CIRCUIT 2	GRN	REAR TV W/O SPLITTER
GENERAL RECPS 1	BLU	ANTENNA
GENERAL RECPS 2	BRN	FRONT TV
GENERAL RECPS 3	PUR	VCR INPUT
GENERAL RECPS 4	GRY	
REFRIGERATOR/ CONVERTER	YEL	EXT ENT CTR
MICROWAVE	BLK	AUX INPUT
WATER HEATER	WHT	
WASHER/DRYER	GLD	
DISHWASHER	SIL	
	ORG	SATELLITE PLATE INPUT
	ORG/ORG	SATELLITE PLATE OUTPUT
	RED/RED	CABLE INPUT W/SPLITTER
	GRN/GRN	REAR TV W/SPLITTER
	PUR/PUR	VCR OUTPUT

CONDUIT

NO.	PART NUMBER	DESCRIPTION	TEMP.
C-4	41953-07-000	CONDUIT-CONVOLUTE, SLIT .25" ID	194° F
C-6	41953-06-000	CONDUIT-CONVOLUTE, SLIT .38" ID	194° F
C-8	41953-01-000	CONDUIT-CONVOLUTE, SLIT .50" ID	194° F
C-10	41953-02-000	CONDUIT-CONVOLUTE, SLIT .63" ID	194° F
C-16	41953-03-000	CONDUIT-CONVOLUTE, SLIT 1.0" ID	194° F
C-24	41953-08-000	CONDUIT-CONVOLUTE, SLIT 1.5" ID	194° F
C-32	41953-15-000	CONDUIT-CONVOLUTE, SLIT 2.0" ID	194° F
CX-8	41953-09-000	CONDUIT-CONVOLUTE, SLIT .50" ID	239° F
CX-12	41953-10-000	CONDUIT-CONVOLUTE, SLIT .75" ID	239° F
CX-16	41953-11-000	CONDUIT-CONVOLUTE, SLIT 1.0" ID	239° F
CX-20	41953-13-000	CONDUIT-CONVOLUTE, SLIT 1.25" ID	239° F
CX-24	41953-14-000	CONDUIT-CONVOLUTE, SLIT 1.50" ID	239° F
CX-32	41953-16-000	CONDUIT-CONVOLUTE, SLIT 2.0" ID	239° F
CN-10	41953-05-000	CONDUIT-CONVOLUTE, NOT SLIT .63" ID	194° F
CN-16	41953-12-000	CONDUIT-CONVOLUTE, NOT SLIT 1.0" ID	194° F


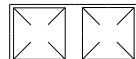
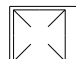
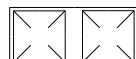
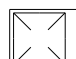

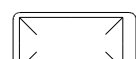
BATTERY CABLE LEGEND

COLOR	DESCRIPTION
PURPLE	CHASSIS BATTERY TO SOLENOID
BLUE	HYDRAULIC JACKS PUMP
RED	BATTERY TO STARTER
GREEN	BATTERY TO GENERATOR
YELLOW	COACH BATTERY TO SOLENOID



DWG NO 121339

FIRST USED	96 MH'S
TITLE	DO NOT SCALE DRAWING
	PART LISTING-ELECTRICAL
SHEET 2	PART NO 121339 REV


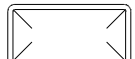

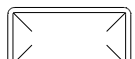

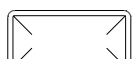
LAMP ASM-PACKAGE, PANCAKE

NO	PART NUMBER	DESCRIPTION
LF1-1	LAMP 98024-01-CHT SCREW G11-08-16U (4) CONNECTOR 58028-01-000 (2)	LAMP ASM, FROSTED LENS, 1 BULB W/SWITCH PROGRESSIVE DYNAMICS INC. 
LF2-1	LAMP 98024-03-CHT SCREW G11-08-16U (6) CONNECTOR 58028-01-000 (2)	LAMP ASM, FROSTED LENS, 2 BULB W/SWITCH PROGRESSIVE DYNAMICS INC. 
LO1-1	LAMP 98024-05-CHT SCREW G11-08-16U (4) CONNECTOR 58028-01-000 (2)	LAMP ASM, OPTI CLEAR LENS, 1 BULB W/SWITCH PROGRESSIVE DYNAMICS INC. 
LO2-1	LAMP 98024-06-CHT SCREW G11-08-16U (6) CONNECTOR 58028-01-000 (2)	LAMP ASM, OPTI CLEAR LENS, 2 BULB W/SWITCH PROGRESSIVE DYNAMICS INC. 
LF1N1	LAMP 98024-07-CHT SCREW G11-08-16U (4) CONNECTOR 58028-01-000 (2)	LAMP ASM, FROSTED LENS, 1 BULB W/O SWITCH PROGRESSIVE DYNAMICS INC. 
LF2N1	LAMP 98024-08-CHT SCREW G11-08-16U (6) CONNECTOR 58028-01-000 (2)	LAMP ASM, FROSTED LENS, 2 BULB W/O SWITCH PROGRESSIVE DYNAMICS INC. 
LFSN1	LAMP 98024-09-CHT SCREW G11-08-16U (6) CONNECTOR 58028-01-000 (2)	LAMP ASM, SINGLE FROSTED LENS, 2 BULB W/O SWITCH PROGRESSIVE DYNAMICS INC. 

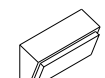


LAMP ASM-PACKAGE, HALOGEN

NO	PART NUMBER	DESCRIPTION
HAL	LAMP 123775-01-CHT SCREW (SUPPLIED) CONNECTOR 58028-01-000 (2)	LAMP ASM-HALOGEN, READING 1 BULB 
HAL-S	LAMP 123775-01-CHT SPACER 123775-02-CHT SCREW G13-06-16U (3) CONNECTOR 58028-01-000 (2)	LAMP ASM-HALOGEN, READING WITH 3/4" SPACER 1 BULB 

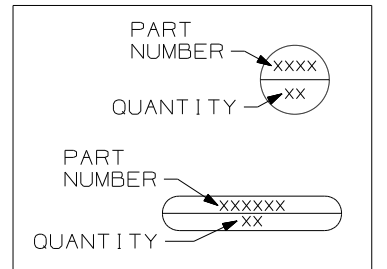
LAMP ASM-PACKAGE, PANCAKE

NO	PART NUMBER	DESCRIPTION
LF1-2	LAMP 137417-01-CHT SCREW G11-08-16U (4) CONNECTOR 58028-01-000 (2)	LAMP ASM, FROSTED LENS, 1 BULB W/SWITCH PROGRESSIVE DYNAMICS INC. 
LF2-2	LAMP 137417-04-CHT SCREW G11-08-16U (6) CONNECTOR 58028-01-000 (2)	LAMP ASM, FROSTED LENS, 2 BULB W/SWITCH PROGRESSIVE DYNAMICS INC. 
LO1-2	LAMP 137417-02-CHT SCREW G11-08-16U (4) CONNECTOR 58028-01-000 (2)	LAMP ASM, OPTI CLEAR LENS, 1 BULB W/SWITCH PROGRESSIVE DYNAMICS INC. 
LO2-2	LAMP 137417-05-CHT SCREW G11-08-16U (6) CONNECTOR 58028-01-000 (2)	LAMP ASM, OPTI CLEAR LENS, 2 BULB W/SWITCH PROGRESSIVE DYNAMICS INC. 
LF1N2	LAMP 137417-03-CHT SCREW G11-08-16U (4) CONNECTOR 58028-01-000 (2)	LAMP ASM, FROSTED LENS, 1 BULB W/O SWITCH PROGRESSIVE DYNAMICS INC. 
LFSN2	LAMP 137417-06-CHT SCREW G11-08-16U (6) CONNECTOR 58028-01-000 (2)	LAMP ASM, SINGLE FROSTED LENS, 2 BULB W/O SWITCH PROGRESSIVE DYNAMICS INC. 

LAMP ASM-PACKAGE, PORCH

NO	PART NUMBER	DESCRIPTION
LEXT-1	LAMP 97917-01-CHT SCREW G67-10-129 (4) CONNECTOR 58028-01-000 (2)	LAMP ASM-PORCH, SURFACE MOUNT BARGMAN 
LEXT-2UL	LAMP 8089-01-000 SCREW G68-06-10E (2) CONNECTOR 58028-01-000 (2)	LAMP ASM-PORCH, RECESSED UL LIST JRV PROD 
LEXT-2CA	LAMP 8089-02-000 SCREW G68-06-10E (2) CONNECTOR 58028-01-000 (2)	LAMP ASM-PORCH, RECESSED CAN LIST JRV PROD 

LEGEND

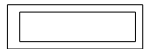
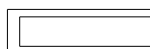

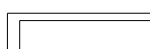
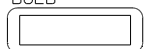

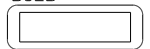
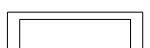

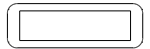


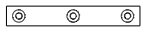

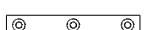
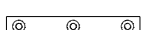
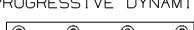

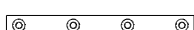

FIRST USED	96 MH'S
TITLE	DO NOT SCALE DRAWING
	PART LISTING-ELECTRICAL
SHEET 3	PART NO 121339 REV




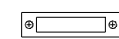
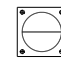
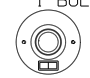

LAMP ASM-PACKAGE, FLUORESCENT

LAMP ASM-PACKAGE, MAKEUP LAMP

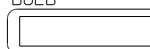

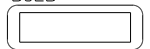
LAMP ASM-PACKAGE, OTHER

NO	PART NUMBER	DESCRIPTION
FLU-1	LAMP 91936-02-CHT SCREW G11-08-12U (4) CONNECTOR 58028-01-000 (2)	LAMP ASM-FLUORESCENT 12" 2 BULB W/SWITCH THIN-LITE 
FLU-2	LAMP 91936-01-CHT SCREW G11-08-12U (4) CONNECTOR 58028-01-000 (2)	LAMP ASM-FLUORESCENT 18" 2 BULB W/SWITCH THIN-LITE 
FLU-3	LAMP 127327-01-CHT SCREW G11-08-12U (2) CONNECTOR 58028-01-000 (2)	LAMP ASM-FLUORESCENT 18" 1-12" BULB W/SWITCH THIN-LITE 
FLU-4	LAMP 130338-01-CHT SCREW G11-08-12U (4) CONNECTOR 58028-01-000 (2)	LAMP ASM-FLUORESCENT 18" 2 BULB SURFACE MOUNT W/SWITCH THIN-LITE 
FLU-5	LAMP 153464-02-CHT SCREW G11-08-12U (4) CONNECTOR 58028-01-000 (2)	LAMP ASM-FLUORESCENT 12" 2 BULB W/SWITCH COOL WHITE BULB THIN-LITE CUTOUT-122 X 336 
FLU-6	LAMP 130338-02-CHT SCREW G11-08-12U (4) CONNECTOR 58028-01-000 (2)	LAMP ASM-FLUORESCENT 18" 2 BULB SURFACE MOUNT WARM WHITE BULB W/SWITCH THIN-LITE 
FLU-7	LAMP 153464-05-CHT SCREW G11-08-12U (4) CONNECTOR 58028-01-000 (2)	LAMP ASM-FLUORESCENT 12" 2 BULB W/SWITCH WARM WHITE BULB THIN-LITE CUTOUT-122 X 336 
FLUN1	LAMP 91936-04-CHT SCREW G11-08-12U (4) CONNECTOR 58028-01-000 (2)	LAMP ASM-FLUORESCENT 12" 2 BULB W/O SWITCH THIN-LITE 
FLUN2	LAMP 91936-03-CHT SCREW G11-08-12U (4) CONNECTOR 58028-01-000 (2)	LAMP ASM-FLUORESCENT 18" 2 BULB W/O SWITCH THIN-LITE 
FLUN3	LAMP 153464-01-CHT SCREW G11-08-12U (4) CONNECTOR 58028-01-000 (2)	LAMP ASM-FLUORESCENT 12" 2 BULB W/O SWITCH COOL WHITE BULB THIN-LITE CUTOUT-122 X 336 

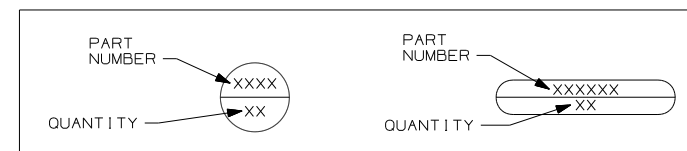
NO	PART NUMBER	DESCRIPTION
LMU3-1	LAMP 110235-01-CHT SCREW W/SPACER (SUPPLIED) CONNECTOR 58028-01-000 (2)	LAMP ASM-MAKEUP (W/O MIRROR) 3 BULB (SUPPLIED) PROGRESSIVE DYNAMICS 
LMM3-2	LAMP 123774-03-CHT SCREW (SUPPLIED) BULB 123918-01-000 (3) CONNECTOR 58028-01-000 (2)	LAMP ASM-MAKEUP (W/MIRROR) 3 BULB GUSTOFSON 
LMU3-2	LAMP 138116-01-CHT SCREW (SUPPLIED) BULB 123918-01-000 (3) CONNECTOR 58028-01-000 (2)	LAMP ASM-MAKEUP (W/O MIRROR) 3 BULB GUSTOFSON 
LMU3-3	LAMP 162446-01-CHT SCREW (SUPPLIED) BULB 123918-01-000 (3) CONNECTOR 58028-01-000 (2)	LAMP ASM-MAKEUP (W/O MIRROR) 3 BULB GUSTOFSON 
LMU4-1	LAMP 110235-02-CHT SCREW G11-08-16U (2) CONNECTOR 58028-01-000 (2)	LAMP ASM-MAKEUP (W/O MIRROR) 4 BULB PROGRESSIVE DYNAMICS 
LMU4-2	LAMP 138116-02-CHT SCREW (SUPPLIED) BULB 123918-01-000 (4) CONNECTOR 58028-01-000 (2)	LAMP ASM-MAKEUP (W/O MIRROR) 4 BULB GUSTOFSON 
LMU4-3	LAMP 162446-02-CHT SCREW (SUPPLIED) BULB 123918-01-000 (4) CONNECTOR 58028-01-000 (2)	LAMP ASM-MAKEUP (W/O MIRROR) 4 BULB GUSTOFSON 
LMM4-2	LAMP 123774-01-CHT SCREW G11-08-16U (2) BULB 123918-01-000 (4) CONNECTOR 58028-01-000 (2)	LAMP ASM-MAKEUP (W/MIRROR) 4 BULB GUSTOFSON 

NO	PART NUMBER	DESCRIPTION
LSH-1	LAMP 121935-01-CHT SCREW G11-08-16U (4) CONNECTOR 58028-01-000 (2)	LAMP ASM-SHOWER PROGRESSIVE DYNAMICS INC. 
LSH-2	LAMP 164039-01-CHT SCREW G11-08-16U (3) CONNECTOR 58028-01-000 (2)	LIGHT-DOME, SHOWER 
LSH-3	LAMP 164040-01-CHT SCREW G13-07-12U (3) CONNECTOR 58028-01-000 (2)	LIGHT-DOME, SHOWER GLASS 
LCR-1	LAMP 61424-01-000 SCREW G11-08-12U (4) CONNECTOR 58028-01-000 (2)	LAMP ASM-COURTESY, AISLE RAMCO (RECTANGULAR) 
LCS-1	LAMP 108354-01-CHT SCREW G11-08-12U (4) CONNECTOR 58028-01-000 (2)	LAMP ASM-COURTESY, AISLE ITC MARINE (SQUARE) 
READ-1	LIGHT-READING 132427-01-CHT SCREW SUPPLIED W/ LIGHT CLIP-U 141395-02-CHT (2) CONNECTOR 58028-01-000 (2)	LIGHT-READING, SWIVEL, ROUND 1 BULB 
READ-2	LIGHT-READING 128786-02-CHT SCREW G11-08-16J (2) BULB 123917-01-000 CONNECTOR 58028-01-000 (2)	LIGHT, READING, SWIVEL 

LAMP ASM-PACKAGE, FLUORESCENT

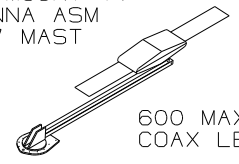
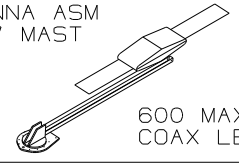
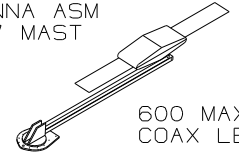
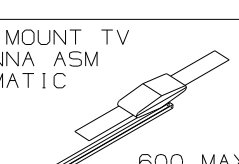
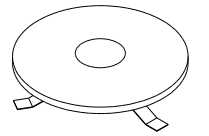
NO	PART NUMBER	DESCRIPTION
FLUN4	LAMP 153464-03-CHT SCREW G11-08-12U (6) CONNECTOR 58028-01-000 (2)	LAMP ASM-FLUORESCENT 18" 2 BULB W/O SWITCH COOL WHITE BULB THIN-LITE CUTOUT-122 X 480 
FLUN5	LAMP 153464-06-CHT SCREW G11-08-12U (6) CONNECTOR 58028-01-000 (2)	LAMP ASM-FLUORESCENT 18" 2 BULB W/O SWITCH WARM WHITE BULB THIN-LITE CUTOUT-122 X 480 
FLUN6	LAMP 153464-04-CHT SCREW G11-08-12U (6) CONNECTOR 58028-01-000 (2)	LAMP ASM-FLUORESCENT 12" 2 BULB W/O SWITCH WARM WHITE BULB THIN-LITE CUTOUT-122 X 336 

LEGEND

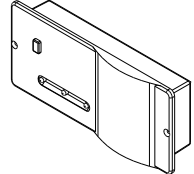


FIRST USED	96 MH'S
DO NOT SCALE DRAWING	
TITLE: PART LISTING-ELECTRICAL	
SHEET 4	PART NO 121339 REV

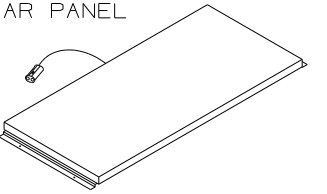
ANTENNA ASM-PACKAGE

NO	PART NUMBER	DESCRIPTION
ANT-1	ANTENNA 76319-24-000 HARDWARE-INTERIOR 76319-25-000 BUMPER 69726-02-000 (2) CLIP 80734-02-000	ROOF MOUNT TV ANTENNA ASM 25.5" MAST  600 MAX COAX LENGTH
ANT-2	ANTENNA 76319-23-000 HARDWARE-INTERIOR 76319-25-000 BUMPER 69726-02-000 (2) ADAPTER SUPPLIED W/ANTENNA	ROOF MOUNT TV ANTENNA ASM 44.5" MAST  600 MAX COAX LENGTH
ANT-2W	ANTENNA 76319-23-000 HARDWARE-INTERIOR 76319-25-000 BUMPER 69726-02-000 (2) ADAPTER SUPPLIED W/ANTENNA WEDGE 76319-26-000	ROOF MOUNT TV ANTENNA ASM 44.5" MAST  600 MAX COAX LENGTH
ANTA-1	ANTENNA 158270-01-CHT BUMPER 69726-02-000 (2) ADAPTER SUPPLIED W/ANTENNA	ROOF MOUNT TV ANTENNA ASM AUTOMATIC  600 MAX COAX LENGTH
ANT-3	ANTENNA-TV ROOF MNT,ROUND 132935-01-000 PLATE-ROOF, CABLE ENTRY 146488-01-000 SCREW G67-10-129 (10) CABLE ASM-COAX 87105-01-006 ADAPTER 82134-01-000	ROOF MOUNT OMNI- DIRECTIONAL ANTENNA MOUNTING SCREWS SUPPLIED WITH ANTENNA 

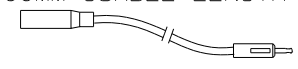
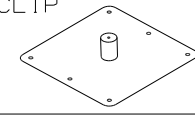

SENSORS

NO	PART NUMBER	DESCRIPTION
LPGD	LP GAS DETECTOR 150138-01-CHT SCREW G68-06-10U (2)	DETECTOR-LP GAS 

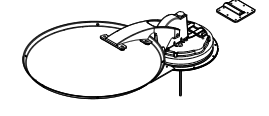
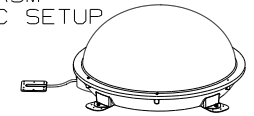
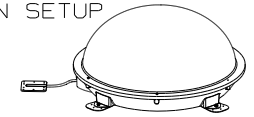
PANELS

NO	PART NUMBER	DESCRIPTION
SOLAR	PANEL-SOLAR 10 WATT 151647-01-000 SCREW G11-08-12U (4)	SOLAR PANEL 

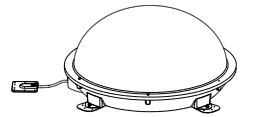
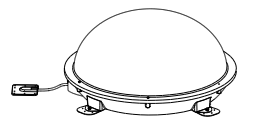
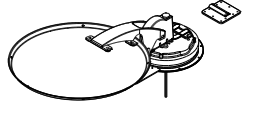
ANTENNA ASM-PACKAGE

ANTEXT-1	CABLE ASM-EXTENS 77069-02-000	RADIO ANTENNA CABLE EXTENSION 2400MM USABLE LENGTH 
ANTKIT-1	ADAPTER-PLATE 76319-06-000 SCREW G11-08-08T (6) CLIP-WIRE 80734-02-000 SCREW G11-08-08T	PLATE ASM-ADAPTERS CABLE ROOF MOUNTING PLATE W/ CABLE-CABLE ADAPTER, FITTINGS, AND CABLE RETAINING CLIP 
ANT-R	ANTENNA-RADIO 90944-01-000 EXTENDER-SHAFT ANTENNA 109889-04-000 BRACKET-ANTENNA GROUND 147741-01-CHT	ROOF MOUNT RADIO ANTENNA 
ANTEXT-2	CABLE ASM-EXTENS 77069-03-000	RADIO ANTENNA CABLE EXTENSION 6600 MM USABLE LENGTH

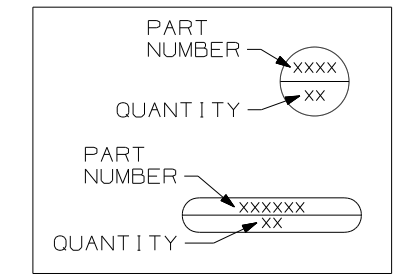
SATELLITE DISH INSTL

NO	PART NUMBER	DESCRIPTION
DM-1	SATELLITE DISH 137135-02-000 SCREW G67-10-12B (8) PLATE & BRACKET (SUPPLIED) SCREW G67-10-12B (10)	SATELLITE DISH ANTENNA ASM MANUAL SETUP 
DA-1	SATELLITE DISH 163598-01-CHT PLATE-ROOF,CABLE ENTRY QUAD 146488-03-000 SCREW G67-10-12U (8) (FOR PLATE) SCREW G39-10-12U (12) (FOR SATELLITE DISH)	SATELLITE DISH ANTENNA ASM AUTOMATIC SETUP 
D1-1	SATELLITE DISH 154474-04-CHT SCREW G39-10-12B (12) PLATE 146488-01-000 SCREW G67-10-12B (10)	SATELLITE DISH ANTENNA ASM IN MOTION SETUP 

SATELLITE DISH INSTL

NO	PART NUMBER	DESCRIPTION
DA-2	SATELLITE DISH 163598-01-CHT PLATE-ROOF,CABLE ENTRY QUAD 146488-03-000 CABLE ASM-COAX 9" 163598-04-000 ADAPTOR-CABLE TO CABLE 82134-01-000 SCREW G67-10-12U (8) (FOR PLATE) SCREW G39-10-12U (12) (FOR SATELLITE DISH)	SATELLITE DISH ANTENNA ASM AUTOMATIC SETUP 
D1-2	SATELLITE DISH 154474-04-CHT PLATE-ROOF,CABLE ENTRY QUAD 146488-03-000 CABLE ASM-COAX 9" 163598-04-000 ADAPTOR-CABLE TO CABLE 82134-01-000 SCREW G67-10-12U (8) (FOR PLATE) SCREW G39-10-12U (12) (FOR SATELLITE DISH)	SATELLITE DISH ANTENNA ASM AUTOMATIC SETUP 
DM-2	SATELLITE DISH 137135-05-000 PLATE-ROOF,ENTRY (SUPPLIED WITH SATELLITE DISH) SCREW G67-10-12U (8) (FOR ROOF PLATE) SCREW G67-10-12U (10) (FOR SATELLITE DISH)	SATELLITE DISH ANTENNA ASM MANUAL SETUP 

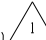
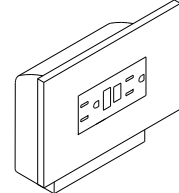

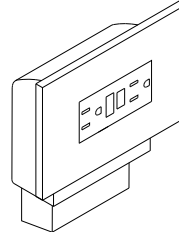
LEGEND

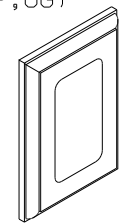
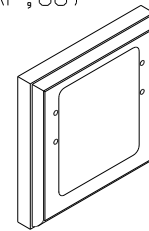
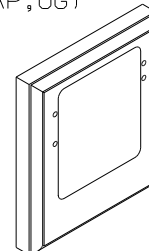
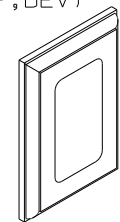
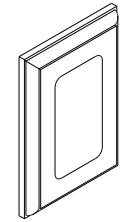


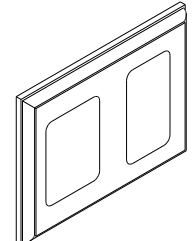
FIRST USED	96 MH'S
TITLE	DO NOT SCALE DRAWING
TITLE	PART LISTING-ELECTRICAL
SHEET 5	PART NO 121339 REV

RECEPTACLE PACKAGE - GF I


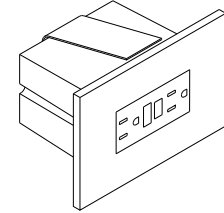
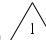
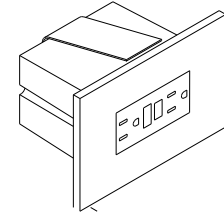
SPACERS

NO	PART NUMBER	DESCRIPTION
GF1 US	RECEPTACLE 163319-01-CHT BOX 91910-02-000 WIRE-BONDING 133678-03-000 SCREW G13-07-12B (4) CONNECTOR 8313-01-000 TUBING-VINYL 8041-02-000 (300MM) 	GF1 RECEPTACLE WITH COVER AND BOX FOR US APPLICATION 
GF1 CAN	RECEPTACLE 163319-01-CHT BOX 91910-01-000 WIRE-BONDING 133678-03-000 SCREW G13-07-12B (4) CONNECTOR 8313-01-000 TUBING-VINYL 8041-02-000 (300MM) 	GF1 RECEPTACLE WITH COVER AND BOX FOR CANADA APPLICATION 

NO	PART NUMBER	DESCRIPTION
SP-01	SPACER 102568-01-XXX	STANDARD 110V RECEPTACLE SPACER (WOOD,VYL RAP,OG) 
SP-02	SPACER 102568-02-XXX	WOOD SPACER FOR CEILING MOUNTED A/C PREP BOX (US) (WOOD,VYL RAP,OG) 
SP-03	SPACER 102568-03-XXX	WOOD SPACER FOR CEILING MOUNTED A/C PREP BOX (CANADA) (WOOD,VYL RAP,OG) 
SP-04	SPACER 133713-01-CHT	STANDARD 110V RECEPTACLE SPACER (WOOD,VYL RAP,BEV) 
SP-05	SPACER 133713-20-XXX	STANDARD 110V RECEPTACLE SPACER (WOOD,BEV) 

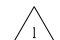
SP-21	SPACER 126052-01-XXX	WOOD SPACER FOR 1 - 110V RECEPTACLE AND 1 - REAR TV (12V) JACK (WOOD,BEV) 
-------	-------------------------	---

RECEPTACLE PACKAGE - GF I

NO	PART NUMBER	DESCRIPTION
GF1-L US	RECEPTACLE 163319-01-CHT BOX 133070-01-000 WIRE-BONDING 133678-03-000 SCREW G13-07-12B (4) CONNECTOR 8313-01-000 TUBING-VINYL 8041-02-000 (300MM) 	GF1 RECEPTACLE WITH COVER AND BOX FOR US APPLICATION 
GF1-L CAN	RECEPTACLE 163319-01-CHT BOX 133070-02-000 WIRE-BONDING 133678-03-000 SCREW G13-07-12B (4) CONNECTOR 8313-01-000 TUBING-VINYL 8041-02-000 (300MM) 	GF1 RECEPTACLE WITH COVER AND BOX FOR CANADA APPLICATION 

LEGEND

MISC.	SPACER
PART NUMBER → XXXX LISTING → XXX	XXXX → PART NUMBER

NOTES:  APPLY TUBING TO BARE GROUND WIRES.

FIRST USED	96 MH'S
TITLE	DO NOT SCALE DRAWING
TITLE	PART LISTING-ELECTRICAL
SHEET 6	PART NO 121339 REV

PREP - A/C, RECESSED (W/OUT FACTORY A/C)

NO	PART NUMBER	DESCRIPTION
PREP A/C-US	BOX 91910-02-000 COVER 84099-02-CHT LABEL 91243-01-000 SCREW G13-07-12B (4) CONNECTOR 8313-01-000 (3)	BOX AND EQUIPMENT USED FOR A/C PREP (W/OUT FACTORY A/C). US APPLICATION (RECESSED IN ROOF)
PREP A/C-CAN	BOX 91910-01-000 COVER 84099-02-CHT LABEL 91243-01-000 SCREW G13-07-12B (4) CONNECTOR 8313-01-000 (3)	BOX AND EQUIPMENT USED FOR A/C PREP (W/OUT FACTORY A/C). CANADA APPLICATION (RECESSED IN ROOF)

CONNECTION BOX, GENERATOR SERVICE FEED

NO	PART NUMBER	DESCRIPTION
J-GEN 30	BOX 8289-01-000 COVER 8294-01-000 SCREW G67-10-10B (2)	BOX AND EQUIPMENT USED FOR CONNECTING THE GENERATOR LEADS TO THE SERVICE ENTRANCE WIRES (US & CA APPLICATION)
J-GEN 30-US	WIRE ASM-GROUND 133678-02-000	
J-GEN 30-CA	WIRE NUT-GREY 8314-01-000 (3) SCREW-GRND 103291-01-000 CONNECTOR-WIRE 8356-01-000	

PREP - A/C, SURFACE (W/OUT FACTORY A/C)

NO	PART NUMBER	DESCRIPTION
PREP SURF	BOX 93603-01-000 COVER 53337-01-000 LABEL 91243-01-000 SCREW-GRND 103291-01-000 WIRE-BONDING 8019-01-000 SCREW G11-08-12B (2) TERMINAL 8328-01-000 CONNECTOR 8313-01-000 (2) CONNECTOR 8311-01-000	SURFACE MOUNT, US AND CANADA, BOX AND EQUIPMENT FOR A/C PREP (W/OUT FACTORY A/C). TYPICALLY LOCATED ON OVERHEAD CABINET INNER WALL OR ON CEILING.

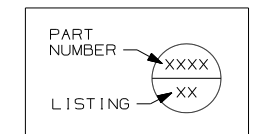
CONNECTION BOX-POWER CORD

NO	PART NUMBER	DESCRIPTION
J-PC 30	BOX 8289-01-000 COVER 8294-01-000 SCREW G67-10-10B (2)	CONNECTION BOX IN POWER CORD COMPT FOR POWER CORD (US & CA APPLICATION)
J-PC 30-US	WIRE ASM-GROUND 133678-02-000	
J-PC 30-CA	CONNECTOR 8314-01-000 (3) SCREW-GRND 103291-01-000 CONNECTOR 8356-02-000 CONNECTOR (PC) 8355-01-000	

CONNECTION BOX-GENERATOR RECEPTACLE

NO	PART NUMBER	DESCRIPTION
J-RCP 30	BOX 8289-01-000 RECEPTACLE 24924-02-000 COVER 69238-01-000 SCREW G67-10-10B (2)	CONNECTION BOX IN POWER CORD COMPT FOR THE GENERATOR RECEPTACLE (US & CA APPLICATION)
J-RCP 30-US	WIRE ASM-GROUND 133678-02-000 133678-04-000 SCREW-GRND 103291-01-000	
J-RCP 30-CA	CONNECTOR 8314-01-000 TUBING-VINYL 8041-02-000 (1) (150MM)	

LEGEND



NOTES:  APPLY TUBING TO BARE GROUND WIRES.

FIRST USED	96 MH'S
TITLE	DO NOT SCALE DRAWING
	PART LISTING-ELECTRICAL
SHEET 7	PART NO 121339 REV

WIRE IDENTIFICATION CHART		
CODE/COLOR	FROM:	TO:
A 14 YEL	GALLEY CEILING LAMP SWITCH	GALLEY CEILING LAMP
B 12 YEL	OVERCURRENT PROTECTION (30A BREAKER TYPICAL)	POWER PASSENGER SEAT ("BUDDY SEAT")
C 12 WHT	POWER PASSENGER SEAT	GROUND
D 14 YEL	SHOWER OVHD LAMP SWITCH SEE WIRE PF, START OF 97	SHOWER OVHD LAMP
E 095038-01-	PHONE INPUT JACK	REAR PHONE JACK
F 095038-01-	PHONE INPUT JACK	EXTERIOR PHONE JACK
G 12/ 10 YEL	OVERCURRENT PROTECTION (30A BREAKER TYPICAL)	HIGH SPEED HEATER FAN (USE 10 IF OVER 6' RUN)
H 095038-01-	PHONE INPUT JACK	FRONT PHONE JACK
J 6 BLK	OVERCURRENT PROTECTION (45 OR 55A BREAKER TYP)	COACH 12V PANEL/ CONVERTER BATTERY CHARGE
K 6 BLK	OVERCURRENT PROTECTION (45 OR 55A BREAKER TYP)	COACH 12V PANEL
L 6 GRN	CONVERTER 45 OR 55 AMP	GROUND
M 6 BLK	OVERCURRENT PROTECTION (45 OR 50A BREAKER)	CONVERTER BATTERY CHARGE
N 10 WHT	REFRIGERATOR	GROUND
P 10YEL(BLK)	OVERCURRENT PROTECTION (20A FUSE TYPICAL)	REFRIGERATOR (3 WAY)
R 8 GRN	REFRIGERATOR CHASSIS	GROUND
S 8 OR 6 GRN	GROUND BAR (LEFT SIDE)	CHASSIS GROUND
T 8 OR 6 GRN	GROUND BAR (RIGHT SIDE)	CHASSIS GROUND
U 6 GRN	CONVERTER CHASSIS	GROUND
W 8 GRN	- GROUND STUD	- GROUND STUD

WIRE IDENTIFICATION CHART		
CODE/COLOR	FROM:	TO:
X 14 YEL	- CHASSIS BRAKE LAMP CIRCUIT	- CENTER MOUNT BRAKE LAMP
Y 16 YEL	VOLUME CONTROL	RADIO/TV SPEAKER
Z 6 BLK	OVERCURRENT PROTECTION (45 OR 55A BREAKER TYP)	COACH 12V PANEL
AA 16 WHT	SERVICE ENGINE SOON LAMP	VEHICLE SERVICE ENGINE SOON LAMP CIRCUIT
AB 16 WHT	WATER TANK LEVEL SENSORS	GROUND
AC 16 WHT	MAIN HOLDING TANK SENSORS (BLACK WATER)	GROUND
AD 16 WHT	AUXILIARY HOLDING TANK #1 (GRAY WATER)	GROUND
AE 16 WHT	AUXILIARY HOLDING TANK #2 (GRAY WATER)	GROUND
AF 12 YEL	WATER PUMP SWITCH #1	MONITOR PANEL WATER PUMP SWITCH
AG 12 YEL	WATER PUMP SWITCH #1	MONITOR PANEL WATER PUMP SWITCH
AH 14 YEL	OVERCURRENT PROTECTION (10A FUSE TYPICAL)	BRAKE LAMP SWITCH WARNING LAMP (IGNITION RUN/START FED)
AJ 12 WHT	CHASSIS GROUND	BODY GROUND
AK 12 WHT	CHASSIS GROUND	BODY GROUND
AL 12 YEL	HEATER CONTROL (LOW SPEED)	BLOWER MOTOR (LOW SPEED)
AM 12YEL(WHT)	HEATER CONTROL (MEDIUM/LOW SPEED)	BLOWER MOTOR (MEDIUM/LOW SPEED)
AN 12 YEL	HEATER CONTROL (MEDIUM/HIGH SPEED)	BLOWER MOTOR (MEDIUM/HIGH SPEED)
AP 14 YEL	IGNITION SWITCH ACCESSORY FEED	OVERCURRENT PROTECTION (15A FUSE TYPICAL)
AR 14 WHT	HORN, FOG LAMPS	GROUND
AS 18 WHT	DASH RADIO	RIGHT FRONT SPEAKER (NEGATIVE)

WIRE IDENTIFICATION CHART		
CODE/COLOR	FROM:	TO:
AT 18 WHT	DASH RADIO	LEFT FRONT SPEAKER (NEGATIVE)
AU 16 YEL	OVERCURRENT PROTECTION (15A BREAKER TYPICAL)	FRONT CARGO LAMP SWITCH (IGNITION ACCESSORY FED)
AW 16 YEL	FRONT CARGO LAMP SWITCH	REAR CARGO LAMP SWITCH
AX 16 YEL	FRONT CARGO LAMP SWITCH	REAR CARGO LAMP SWITCH
AY 16 YEL	REAR CARGO LAMP SWITCH	CARGO LAMPS
BA 14 WHT	WINDSHIELD WIPER MOTOR	GROUND
BB 16 YEL	OVERCURRENT PROTECTION (6A BREAKER TYPICAL)	INSTRUMENT PANEL GAUGES (IGNITION ACCESSORY FED)
BC 14 WHT	INDICATOR LAMPS	GROUND
BD 14 YEL	OVERCURRENT PROTECTION (10A FUSE TYPICAL)	BRAKE LAMP SWITCH
BE 12 WHT	BLOWER MOTOR	GROUND
BF 14 WHT	WASHER BOTTLE PUMP/HORN	GROUND
BG 14 YEL	FUEL SENDER	FUEL GAUGE
BH 14 YEL	RUN ONLY POWER RELAY	ENGINE WIRING
BJ 16 YEL	OVERCURRENT PROTECTION (10A FUSE TYPICAL)	ENGINE WIRING (IGNITION RUN/START FED)
BK 14 YEL	OVERCURRENT PROTECTION (10A FUSE TYPICAL)	HORN RELAY FEED
BL 16 WHT	CIGAR LIGHTER	GROUND
BM 16 YEL	CHASSIS BATTERY POWER	CIGAR LIGHTER
BN 16 YEL	ACCESSORY POWER	SPOTLAMP
BP 14 WHT	POWER MIRROR	GROUND

WIRE IDENTIFICATION CHART		
CODE/COLOR	FROM:	TO:
BR 14 YEL	POWER MIRROR (RIGHT SIDE)	POWER MIRROR CONTROL SWITCH
BS 14 YEL	POWER MIRROR HEAT SWITCH	POWER MIRRORS
BT 14 YEL	POWER MIRROR (LEFT SIDE)	POWER MIRROR CONTROL SWITCH
BU 14 YEL	RUN ONLY POWER	POWER MIRROR HEAT/ CONTROL SWITCHES
BW 12 YEL	IGNITION SWITCH	ACCESSORY CIRCUIT FEED
BX 12YEL(ORN)	IGNITION SWITCH RUN ONLY SOURCE	GENERAL(TURN, BACK UP,DASH IGNITION CIRCUIT,ETC)
BY 12YEL/8BLK	OVERCURRENT PROTECTION (16GA FUSELINK)(8GA PASSTHRU)	CHASSIS BATTERY SOURCE(AUTO AC BLOWER,POWER DRIVER SEAT,ETC)
CA 12 YEL	OVERCURRENT PROTECTION (16GA FUSELINK TYPICAL)	CHASSIS BATTERY SOURCE
CB 12 YEL	IGNITION SWITCH START SOURCE	START CIRCUIT SOURCE
CC 16 YEL	ALTERNATOR	ALTERNATOR WARNING LAMP
CD 16 YEL	OIL PRESSURE WARNING SENDER	OIL PRESSURE WARNING LAMP
CE 16 YEL	WATER TEMPERATURE WARNING SENDER	WATER TEMPERATURE WARNING LAMP
CF 14 YEL	REAR TV JACK	POWER FEED SWITCH
CG 14 YEL	CLUTCH/NEUTRAL SWITCH	START ISOLATION RELAY
CH 14 YEL	START RELAY	ENGINE WIRING
CJ 14 YEL	WINDSHIELD WIPER/WASHER CONTROL SWITCH	WINDSHIELD WASHER PUMP
CK 16 YEL	TELEVISION	SPEAKER (POSITIVE)
CL 16 WHT	TELEVISION	SPEAKER (NEGATIVE)
CM 10 YEL	OVERCURRENT PROTECTION (15A BREAKER TYPICAL)	INVERTER FEED

WIRE IDENTIFICATION CHART		
CODE/COLOR	FROM:	TO:
CN 10 WHT	INVERTER	GROUND
CP 12 WHT	INVERTER CHASSIS	GROUND
CR 16 WHT	VEHICLE CHECK ENGINE LAMP CIRCUIT	CHECK ENGINE LAMP
CS 16 WHT	REMOTE THERMOSTAT (RC TERM/ORG EXPORT AIR)	GROUND
CT 16 YEL	DAYTIME RUNNING LAMP MODULE OUTPUT(PIN 30)	LOW BEAM HEADLAMP CIRCUIT
CU 16 YEL	DAYTIME RUNNING LAMP MODULE ENABLE(PIN 85)	RUN/START CIRCUIT
CW 14 YEL	DAYTIME RUNNING LAMP MODULE POWER(PIN 87A)	CHASSIS BATTERY POWER
CX 16 WHT	DAYTIME RUNNING LAMP MODULE GROUND(PIN 87)	GROUND
CY 16 YEL	DAYTIME RUNNING LAMP MODULE HIGH BEAM DISABLE(PIN 86)	HIGH BEAM HEADLAMP CIRCUIT
DA 12 YEL	SHOWER SUMP SYSTEM PUMP SWITCH	SHOWER SUMP SYSTEM PUMP
DB 12 WHT	SHOWER SUMP SYSTEM PUMP	GROUND
DC 16 YEL	REAR ROOF AIR CONDITIONER EXHAUST CIRCUIT	THERMOSTAT
DD 16 YEL	REAR ROOF AIR CONDITIONER COOL CIRCUIT	THERMOSTAT (Y TERM-EXPORT AIR/YEL)
DE 16 YEL	REAR ROOF AIR CONDITIONER HIGH SPEED FAN CIRCUIT	THERMOSTAT (H TERM-EXPORT AIR/BLU)
DF 16 YEL	REAR ROOF AIR CONDITIONER LOW SPEED FAN CIRCUIT	THERMOSTAT (G TERM-EXPORT AIR/RED)
DG 12YEL(GRY)	IGNITION SWITCH	ACCESSORY/RUN FEED
DH 14 YEL	EMERGENCY SHUTDOWN GAUGE	FUEL SOLENOID (DIESEL ENGINE)
DJ 16 YEL	TV/RADIO SPEAKER SWITCHING RELAY OUTPUT	LEFT REAR SPEAKER POSITIVE
DK 16 WHT	TV/RADIO SPEAKER SWITCHING RELAY OUTPUT	LEFT REAR SPEAKER NEGATIVE

WIRE IDENTIFICATION CHART		
CODE/COLOR	FROM:	TO:
DL 16 YEL	TV/RADIO SPEAKER SWITCHING RELAY OUTPUT	RIGHT REAR SPEAKER POSITIVE
DM 16 WHT	TV/RADIO SPEAKER SWITCHING RELAY OUTPUT	RIGHT REAR SPEAKER NEGATIVE
DN 10 YEL	BATTERY DISCONNECT RELAY	CIRCUIT BREAKER SLIDEOUT ROOM CIRCUIT BRKR
DP 14 YEL	TV/RADIO SPEAKER FEED SELECT SWITCH	TV/RADIO SPEAKER SWITCHING RELAY COIL INPUT OR AMPLIFIER
DR 16 YEL	HWH WIRING OR KWIKEE FRONT SLIDE MODULE	SLIDEOUT SWITCH (ROOM ONE EXTEND)
DS 16 WHT	CONTROL MODULE (FRONT SLIDE)(GROUND)	SLIDEOUT SWITCH (FRONT SLIDEOUT)
DT 16 YEL	SLIDEOUT ROOM RELAY (PIN 30)	SLIDEOUT ROOM CONTROL SWITCH
DU 16 YEL	HWH WIRING OR KWIKEE FRONT SLIDE MODULE	SLIDEOUT SWITCH (ROOM ONE RETRACT)
DW 16 WHT	SLIDEOUT ROOM SWITCH (G) (SWITCHED GROUND TO PUMP)	HWH WIRING (SWITCHED GROUND TO PUMP)
DX 16 WHT	HWH WIRING (G) (GROUND)	SLIDEOUT ROOM SWITCH (GROUND)
DY 16 WHT	HWH WIRING (G) (JACK SENSE; SWITCHED GROUND)	SLIDEOUT ROOM RELAY (JACK SENSE; SWITCHED GROUND)
EA 16 YEL	HWH WIRING (G) (ACCESSORY POWER)	SLIDEOUT ROOM RELAY (ACCESSORY POWER)
EB 16 YEL	SLIDEOUT ROOM RELAY (G) (SWITCHED ACCESSORY POWER)	FRT/RR SLIDEOUT ROOM SWITCH (SWITCHED EXTEND/RETRACT PWR)
EC 10 YEL	CHASSIS BATTERY POWER SOURCE (BATTERY MODE SOLENOID POST)	THRU FUSE TO AMP SOURCE SELECT RELAY(PIN 87)(OPTION 21V,95 Q)
ED 10 YEL	COACH BATTERY POWER SOURCE (BATTERY MODE SOLENOID POST)	THRU FUSE TO AMP SOURCE SELECT RELAY(PIN 87A)(OPTION 21V,95Q)
EE 16 YEL	AIR RIDE SUSPENSION LEFT DOWN SWITCH POSITION	AIR RIDE SUSPENSION LEFT HEIGHT CONTROL BOX
EF 16 YEL	AIR RIDE SUSPENSION LEFT UP SWITCH POSITION	AIR RIDE SUSPENSION LEFT HEIGHT CONTROL BOX
EG 16 WHT	AIR RIDE SUSPENSION WIRE ASM GROUND	AIR RIDE SUSPENSION CONTROL LAMP GROUNDS
EH 16 YEL	AIR RIDE SUSPENSION RIGHT DOWN SWITCH POSITION	AIR RIDE SUSPENSION RIGHT HEIGHT CONTROL BOX

WIRE IDENTIFICATION CHART		
CODE/COLOR	FROM:	TO:
EJ 16 YEL	AIR RIDE SUSPENSION RIGHT UP SWITCH POSITION	AIR RIDE SUSPENSION RIGHT HEIGHT CONTROL BOX
EK 16 YEL	AIR RIDE SUSPENSION AUTO MODE SWITCH POSITION	AIR RIDE SUSPENSION HEIGHT CONTROL BOXES
EL 16 YEL	RUN ONLY POWER	AIR RIDE SUSPENSION AUTO/MANUAL MODE SWITCH
EM 16 YEL	AIR RIDE SUSPENSION COMPRESSOR	COMPRESSOR ON WARNING LAMP
EN 16 YEL	AIR RIDE SUSPENSION MANUAL MODE SWITCH POSITION	LEVEL CONTROL SWITCHES AND INDICATOR LAMP
EP 14 YEL	OVERCURRENT PROTECTION (15A BREAKER TYPICAL)	SPOTLAMP
ER 16 YEL	OVERCURRENT PROTECTION (6A BREAKER TYPICAL)	ELECTRIC STEP KILL SWITCH
ES 16 YEL	ELECTRIC STEP KILL SWITCH	ELECTRIC STEP
ET 16 YEL	OVERCURRENT PROTECTION (6A BREAKER TYPICAL)	REFRIGERATOR (2 WAY)
EU 16 WHT	REFRIGERATOR (2 WAY)	GROUND
EW 14 YEL	FUEL HEATER SWITCH	FUEL HEATER (DIESEL ENGINE)
EX 14 YEL	TELEVISION POWER SWITCH	TELEVISION WALL PLATE
EY 12YELLTBLU	OVERCURRENT PROTECTION (16GA FUSELINK TYPICAL)	IGNITION SWITCH FEED #2
FA 14 YEL	DRIVER'S DOOR PASSENGER SIDE POWER WINDOW SWITCH(DOWN,PIN2)	PASSENGER'S POWER WINDOW SWITCH(PIN 2)
FB 14 YEL	DRIVER'S DOOR PASSENGER SIDE POWER WINDOW SWITCH(UP,PIN 4)	PASSENGER'S POWER WINDOW SWITCH(PIN 4)
FC 14 YEL	PASSENGER'S DOOR POWER WINDOW SWITCH(DOWN,PIN 1)	PASSENGER'S DOOR POWER WINDOW MOTOR(DOWN)
FD 14 YEL	PASSENGER'S DOOR POWER WINDOW SWITCH(UP,PIN 5)	PASSENGER'S DOOR POWER WINDOW MOTOR(UP)
FG 10 YEL	AMPLIFIER POWER SOURCE SELECT RELAY (PIN 30)	AMPLIFIER POWER FEED (DELUXE SOUND SYSTEM,95 LUXOR)
FH 10 WHT	AMPLIFIER (DELUXE SOUND SYSTEM,95 LUXOR)	GROUND

WIRE IDENTIFICATION CHART		
CODE/COLOR	FROM:	TO:
FJ 12 YEL	WATER PUMP SWITCH #2 (THREE SWITCH SYSTEM)	WATER PUMP SWITCH #1 (THREE SWITCH SYSTEM)
FK 12 YEL	WATER PUMP SWITCH #2 (THREE SWITCH SYSTEM)	WATER PUMP SWITCH #1 (THREE SWITCH SYSTEM)
FL 14 YEL	SECOND PORCH LAMP SWITCH	SECOND PORCH LAMP
FM 14 WHT	SOLENOID MOUNTING BOLT	GROUND
FN 16 YEL	SOURCE SELECTOR SWITCH (DELUXE SOUND SYSTEM,95 LUXOR)	AMP & EQUALIZER REMOTE TRIGGER (DELUXE SOUND SYSTEM,95 LUXOR)
FP 16 YEL	EXHAUST BRAKE SWITCH (DIESEL PUSHER CHASSIS)	CHASSIS EXHAUST BRAKE HARNESS & BRAKE ON DASH INDICATOR LAMP
FR 14 YEL	FORD RUN/ACCESSORY IGNITON CIRCUIT(WHT/PUR,10A FUSED)	DOCKING LAMPS, RELAY TRIGGER, REAR MONITOR CAMERA FEED
FS 14 YEL	DOCKING LAMPS RELAY(PIN 87)	DOCKING LAMPS
FT 14 WHT	DOCKING LAMPS	GROUND
FU 14 YEL	AUTOMOTIVE AIR WIRING	FORD A/C COMPRESSOR CLUTCH SWITCH CIRCUIT
FW 14 YEL	DOCKING LAMPS SWITCH	DOCKING LAMPS RELAY(PIN 30)
FX 12 YEL	OVERCURRENT PROTECTION (30A BRKR OR FUSE)	POWER DRIVER SEAT (I.E.,6 WAY)
FY 12 WHT	POWER DRIVER SEAT (I.E.,6 WAY)	GROUND
GA 14 YEL	WATER SYSTEM WINTERIZATION SWITCH	WINTERIZATION VALVE
GB 14 YEL	WATER HEATER BYPASS SWITCH	WATER HEATER BYPASS VALVE
GC 16 YEL	SLIDEOUT ROOM SPDT SWITCH (M) (SWITCHED WIRE)	HHW WIRING (SWITCHED WIRE)
GD 16 YEL	WIPER CONTROL MODULE	WIPER MOTOR (S TERMINAL)
GE 16 YEL	SWITCHED DOME LAMP FEED	DOME LAMP
GF 16 WHT	COMMON REAR CHANNEL SPEAKER RETURN	REAR SPEAKERS

WIRE IDENTIFICATION CHART		
CODE/COLOR	FROM:	TO:
GG 16 YEL	RADIO REMOTE TRIGGER (DELUXE SOUND OPTION)	SOURCE SELECTOR SWITCH (LUXOR)
GH 14 WHT	GLOW PLUG WAIT LAMP (DIESEL ENGINE)	ENGINE SENDER
GJ 16 YEL	COACH BATTERY POWER (UPSTREAM OF DISCONNECT)	LP DETECTOR AND/OR SOLAR PANEL WIRING OVERCURRENT PROTECTION
GK 14 YEL	AIR HORN SWITCH	CHASSIS HORN
GL 16 WHT	WATER/HOLDING TANKS LEVEL SENSORS	GROUND
GM 16 YEL	JET AIR RIDE SUSPENSION PRESSURE SENSORS	CHECK REAR AIR SUSPENSION DASH WARNING LAMP
GN 16 YEL	REAR TV SPEAKER OUTPUT (POSITIVE)	REAR TV SPEAKER (POSITIVE)
GP 16 WHT	REAR TV SPEAKER OUTPUT (NEGATIVE)	REAR TV SPEAKER (NEGATIVE)
GR 14 YEL	THERMOSTATICALLY CONTROLLED ROOF VENT (SEND)	THERMOSTAT (RETURN)
GS 14 YEL	THERMOSTATICALLY CONTROLLED ROOF VENT (RETURN)	THERMOSTAT (RETURN)
GT 16 YEL	RADIO POWER SWITCH (MEMORY FEED)	RADIO (MEMORY FEED)
GU 16 YEL	DEFOG MODULE OUTPUT	DEFOG RELAY, INDICATOR LAMP
GW 16 WHT	DEFOG SWITCH ON/OFF	DEFOG MODULE ON/OFF
GX 16/12 WHT	STEP COVER SWITCH (REF AAA-16/KA-12)	GROUND
GY 12 YEL	DEFOG RELAY	DEFOG UNIT
HA 14 YEL	READING LAMPS SWITCH (93 VANS)	READING LAMPS
HB 14 YEL	"MOOD" LAMPS SWITCH (93 VANS)	"MOOD" LAMPS
HC 14 YEL	12V POWER SOURCE (93 VANS)	OVERCURRENT PROTECTION (15A FUSE TYPICAL)
HD 14 YEL	SOFA SLIDE MOTOR POSITIVE (94 VANS)	SOFA MONOPLEX CONTROLLER

WIRE IDENTIFICATION CHART		
CODE/COLOR	FROM:	TO:
HE 14 WHT	SOFA SLIDE MOTOR NEGATIVE (94 VANS)	SOFA MONOPLEX CONTROLLER
HF 14 YEL	SOFA RECLINE MOTOR POSITIVE (94 VANS)	SOFA MONOPLEX CONTROLLER
HG 14 WHT	SOFA RECLINE MOTOR NEGATIVE (94 VANS)	SOFA MONOPLEX CONTROLLER
HH 16 YEL	SOFA MONOPLEX SWITCH (94 VANS)	SOFA MONOPLEX CONTROLLER
HJ 16 WHT	SOFA MONOPLEX SWITCH (94 VANS)	GROUND
HK 14 WHT	SOFA MONOPLEX CONTROLLER (94 VANS)	GROUND
HL 14 YEL	FLOOD LAMP SWITCH (94 VANS)	FLOOD LAMP
HM 16 YEL	REAR TV SPEAKER OUTPUT (POSITIVE)	REAR TV SPEAKER (POSITIVE)
HN 16 WHT	REAR TV SPEAKER OUTPUT (NEGATIVE)	REAR TV SPEAKER (NEGATIVE)
HP 16 YEL	OVERCURRENT PROTECTION (94 VANS)	REAR AC
HR 14 YEL	SWITCH (94 1200 MODEL VAN)	12VOLT RECEPTACLE
HS 16 YEL	SOLAR PANEL (1HS INDICATOR TO BATTERY)	COACH BATTERY THRU OVERCURRENT PROTECTION
HT 16 WHT	SOLAR PANEL (1HT INDICATOR TO GROUND)	GROUND
HU 16 YEL	GENERATOR SWITCH (LED)	GENERATOR (POSITIVE SIGNAL)
HW 16 YEL	LICENSE PLATE LAMP FEED	LICENSE PLATE LAMP
HX 16 YEL	CHASSIS CLEARANCE LAMP CRT #2	CLEARANCE/MARKER LAMPS
HY 12 WHT	DEFOG UNIT	GROUND
JA 14 YEL	OVERCURRENT PROTECTION (15A FUSE/BREAKER TYPICAL)	WATER PUMP, MONITOR PANEL, ETC ("CLEAN CIRCUIT", REF JP)
JB 14 YEL	OVERCURRENT PROTECTION (15A FUSE/BREAKER TYPICAL)	FURNACE, ROOF VENT, ETC (REF JM)

WIRE IDENTIFICATION CHART		
CODE/COLOR	FROM:	TO:
JC 14 YEL	OVERCURRENT PROTECTION (15A FUSE/BREAKER TYPICAL)	COACH LIGHTING, ETC CIRCUIT #1 (REF NC)
JD 14 YEL	OVERCURRENT PROTECTION (15A FUSE/BREAKER TYPICAL)	COACH LIGHTING, ETC CIRCUIT #2 (REF ND)
JE 14 YEL	OVERCURRENT PROTECTION (15A FUSE/BREAKER TYPICAL)	COACH LIGHTING, ETC CIRCUIT #3 (REF NE)
JF 14 YEL	OVERCURRENT PROTECTION (15A FUSE/BREAKER TYPICAL)	COACH LIGHTING, ETC CIRCUIT #4 (REF NF)
JG 14 YEL	OVERCURRENT PROTECTION (15A FUSE/BREAKER TYPICAL)	COACH LIGHTING, ETC(ALT CLEAN) CIRCUIT #5 (REF JN)
JH 14 YEL	MAIN FURNACE (12V POWER)	MAIN FURNACE THERMOSTAT
JJ 14 YEL	MAIN FURNACE (HEAT)	MAIN FURNACE THERMOSTAT
JK 14 YEL	AUXILIARY FURNACE	AUXILIARY FURNACE THERMOSTAT
JL 14 YEL	AUXILIARY FURNACE	AUXILIARY FURNACE THERMOSTAT
JM 14 WHT	MAIN FURNACE	GROUND
JN 14 WHT	COACH LIGHTING CIRCUIT #5 (REF JG)	GROUND(ALTERNATE CLEAN CIRCUIT FOR LINEAR CONVERTER)
JP 14 WHT	"CLEAN CIRCUIT" DEVICES (REF JA)	GROUND
JR 16 YEL	MONITOR PANEL	LP TANK #2 LEVEL SENSOR
JS 12 YEL	MONITOR PANEL WATER PUMP SWITCH	WATER PUMP
JT 16 YEL	MONITOR PANEL	LP TANK #1 LEVEL SENSOR
JU 14 YEL	MONITOR PANEL WATER HEATER SWITCH	WATER HEATER (BLU)
JW 14 YEL	MONITOR PANEL WATER HEATER SWITCH	WATER HEATER (BRN)
JX 14 WHT	WATER HEATER	GROUND
JY 12 WHT	WATER PUMP	GROUND

WIRE IDENTIFICATION CHART		
CODE/COLOR	FROM:	TO:
KA 12 YEL	OVERCURRENT PROTECTION (25A BREAKER TYPICAL)	ELECTRIC STEP BATTERY POWER
KB 10 YEL	OVERCURRENT PROTECTION (25A BREAKER TYPICAL)	ELECTRIC STEP KILL SWITCH (OLD STEP WIRING STYLE)
KC 10 YEL	ELECTRIC STEP KILL SWITCH (OLD STEP WIRING STYLE)	ELECTRIC STEP
KD 18 WHT	ELECTRIC STEP DOOR JAMB SWITCH	ELECTRIC STEP
KE 14 YEL	RUN ONLY POWER SOURCE	GENERAL PURPOSE(RELAY TRIGGER, REAR AUTO HTR,DRL,MONITOR,ETC)
KF 16 WHT	COACH BATTERY DISCONNECT RELAY SWITCH	GROUND
KG 14 YEL	POWER LIFT VENT (BLU)	POWER LIFT SWITCH(UP)
KH 14 YEL	POWER LIFT VENT (RED)	POWER LIFT SWITCH(DOWN)
KJ 14 YEL	POWER LIFT VENT (BLK)	FAN SWITCH
KK 18 YEL	REAR STEREO	RIGHT SPEAKER (POSITIVE)
KL 18 WHT	REAR STEREO	RIGHT SPEAKER (NEGATIVE)
KM 14 YEL	POWER LIFT VENT LAMP	LAMP SWITCH
KN 18 YEL	REAR STEREO	LEFT SPEAKER (POSITIVE)
KP 18 WHT	REAR STEREO	LEFT SPEAKER (NEGATIVE)
KR 14 WHT	REAR STEREO ANTENNA	GROUND
KS 14 YEL	REAR AUTO HEATER SWITCH (HIGH SPEED)	REAR AUTO HEATER
KT 14 YEL	REAR AUTO HEATER SWITCH (MEDIUM SPEED)	REAR AUTO HEATER
KU 14 YEL	REAR AUTO HEATER SWITCH (LOW SPEED)	REAR AUTO HEATER
KW 18 YEL	DASH RADIO	RIGHT FRONT SPEAKER (POSITIVE)

WIRE IDENTIFICATION CHART		
CODE/COLOR	FROM:	TO:
KX 18 YEL	DASH RADIO	RIGHT REAR SPEAKER (POSITIVE)
KY 18 YEL	DASH RADIO	LEFT FRONT SPEAKER (POSITIVE)
LA 18 YEL	DASH RADIO	LEFT REAR SPEAKER (POSITIVE)
LB 18 WHT	DASH RADIO	RIGHT REAR SPEAKER (NEGATIVE)
LC 18 WHT	DASH RADIO	LEFT REAR SPEAKER (NEGATIVE)
LD 14 YEL	IGNITION SWITCH ACCESSORY POWER SOURCE	GENERAL PURPOSE(AUX FANS,RELAY TRIGGER,ETC.)
LE 14 YEL	AUXILIARY DEFROST FANS SWITCH (HIGH SPEED)	AUXILIARY DEFROST FANS (BLK)
LF 14 YEL	AUXILIARY DEFROST FANS SWITCH (LOW SPEED)	AUXILIARY DEFROST FANS (RED)
LG 16 YEL	COACH BATTERY DISCONNECT RELAY (TERMINAL I)	COACH BATTERY DISCONNECT RELAY SWITCH
LH 16 YEL	COACH BATTERY DISCONNECT RELAY (TERMINAL S)	COACH BATTERY DISCONNECT RELAY SWITCH
LJ 16 YEL	COACH BATTERY DISCONNECT RELAY BATTERY SIDE FUSE FEED	COACH BATTERY DISCONNECT RELAY SWITCH
LK 16 YEL	COACH BATTERY DISCONNECT RELAY LOAD SIDE FUSE FEED	COACH BATTERY DISCONNECT RELAY SWITCH/INDICATOR LAMP
LL 16 WHT	GENERATOR SWITCH (START)	GENERATOR (RED)
LM 16 WHT	GENERATOR SWITCH (STOP)	GENERATOR (ORN)
LN 16 WHT	GENERATOR SWITCH/INDICATOR (GROUND)	GENERATOR (GRN)
LP 16 YEL	GENERATOR SWITCH/INDICATOR (RUN)	GENERATOR (BLU)
LR 14 YEL	BATTERY MODE SWITCH (AUX START SWITCH)	BATTERY MODE SOLENOID (AUX START SOLENOID)
LS 12 YEL	OVERCURRENT PROTECTION 20A BREAKER TYPICAL,COACH FEED	GENERAL PURPOSE(BATTERY MODE, RADIO POWER,BATTERY CONDITION)
LT 16 YEL	BATTERY CONDITION SWITCH	VOLTMETER (POWER FEED)

WIRE IDENTIFICATION CHART		
CODE/COLOR	FROM:	TO:
LU 14 YEL	CHASSIS BRAKE LAMP CIRCUIT	VEHICLE BRAKES, TAG AXLE CONTROL MODULE,ETC.
LW 14 YEL	WIPER CONTROL MODULE (PARK)	WINDSHIELD WIPER MOTOR (FRONT)
LX 14 YEL	WIPER CONTROL MODULE (LOW SPEED)	WINDSHIELD WIPER MOTOR (FRONT)
LY 14 YEL	WIPER CONTROL MODULE (HIGH SPEED)	WINDSHIELD WIPER MOTOR (FRONT)
MA 14 YEL	WIPER CONTROL MODULE (WASHER BOTTLE PUMP)	WINDSHIELD WASHER BOTTLE PUMP (FRONT)
MB 14 YEL	CHASSIS WINDSHIELD WIPER FEED CIRCUIT	OVERCURRENT PROTECTION (6A BREAKER TYPICAL)
MC 16 WHT	INSTRUMENT PANEL LAMPS	GROUND
MD 14 YEL	OVERCURRENT PROTECTION (15A BREAKER TYPICAL)	REMOTE MIRROR RELAY/POWER WINDOW FEED
ME 14 YEL	OVERCURRENT PROTECTION (15A BREAKER TYPICAL)	AIR HORN RELAY FEED/ MARKER LAMPS RELAY FEED
MF 14 YEL	OVERCURRENT PROTECTION (15A BREAKER TYPICAL)	FOG LAMP RELAY FEED/ SPOT LAMP FEED
MG 14 WHT	GENERAL PURPOSE(RELAYS,DASH DEVICES,ETC.)	GROUND
MH 16 WHT	CHASSIS CHOKE LAMP INDICATOR CIRCUIT	CHOKE LAMP
MJ 14 YEL	CHASSIS WINDSHIELD WIPER FEED CIRCUIT	WIPER CONTROL MODULE (POWER FEED)
MK 14 YEL	CHASSIS BATTERY POWER FEED CIRCUIT	GENERAL PURPOSE(CIGAR LIGHTER, DOME/COURTESY LAMPS,ETC)
ML 16 YEL	CHASSIS INSTRUMENT PANEL LAMPS FEED CIRCUIT	INSTRUMENT PANEL LAMPS
MM 14 YEL	CHASSIS CLEARANCE LAMP CRT #1 (BRN TYPICAL)	CLEARANCE/MARKER LAMPS
MN 14 WHT	DOME LAMP SWITCHED GROUND	DOME LAMP SWITCH(DOOR JAMB, INSTRUMENT PANEL SWITCH,ETC)
MP 18/16 WHT	ELEC STEP DOOR JAMB SWITCH, LP TANK SENDER, ETC	GROUND
MR 14 YEL	REAR WINDOW WIPER SWITCH (LOW SPEED)	REAR WINDOW WIPER MOTOR (LOW SPEED)

WIRE IDENTIFICATION CHART		
CODE/COLOR	FROM:	TO:
MS 14 WHT	CLEARANCE/MARKER LAMPS	GROUND
MT 8 WHT	ELECTRIC STEP	GROUND
MU 14 WHT	GENERAL PURPOSE(CIGAR LIGHTER, DOME LAMPS,12 V OUTLETS,ETC)	GROUND
MW 16 YEL	VEHICLE CHECK ENGINE LAMP CIRCUIT	CHECK ENGINE LAMP
MX 16 YEL	WINDSHIELD WIPER SWITCH	WIPER RELAY
MY 14 YEL	VEHICLE HEADLAMP FEED CIRCUIT	DIMMER MODULE
NA 14 YEL	VEHICLE HEADLAMP LOW BEAM CIRCUIT	DIMMER MODULE
NB 14 YEL	VEHICLE HEADLAMP HIGH BEAM CIRCUIT	DIMMER MODULE
NC 14 WHT	COACH LIGHTING CIRCUIT #1 (REF JC)	GROUND
ND 14 WHT	COACH LIGHTING CIRCUIT #2 (REF JD)	GROUND
NE 14 WHT	COACH LIGHTING CIRCUIT #3 (REF JE)	GROUND
NF 14 WHT	COACH LIGHTING CIRCUIT #4 (REF JF)	GROUND
NG 16 YEL	FOG LAMPS SWITCH	FOG LAMPS RELAY
NH 14 YEL	FOG LAMPS RELAY	FOG LAMPS
NJ 16 YEL	CHASSIS HORN FEED CIRCUIT	AIR HORN SWITCH
NK 14 YEL	AIR HORN SWITCH	AIR HORN AIR TANK AIR RELEASE VALVE
NL 14 YEL	AR HORN RELAY	AIR HORN AIR COMPRESSOR
NM 14 YEL	OVERCURRENT PROTECTION (15A FUSE TYPICAL)	COACH LIGHTING CIRCUIT #6 (REF PM)
NN 16 YEL	LEFT POWER MIRROR MOTOR (HORIZONTAL CONTROL,YEL)	POWER MIRROR CONTROL SWITCH

WIRE IDENTIFICATION CHART		
CODE/COLOR	FROM:	TO:
NR 16 YEL	LEFT POWER MIRROR (VERTICAL CONTROL, WHT)	POWER MIRROR CONTROL SWITCH
NS 14 YEL	POWER MIRROR HEATER SWITCH	POWER MIRRORS (RED)
NT 14 YEL	POWER MIRROR RELAY	POWER MIRROR CONTROL SWITCH
NU 14 YEL	AISLE LAMPS SWITCH #1	AISLE LAMPS SWITCH #2
NW 14 YEL	FRONT COMPARTMENT LAMPS SWITCH	COMPARTMENT LAMPS
NX 14 YEL	INTERSTATE COMMERCE COMMITTEE COURTESY BLINK SWITCH	CLEARANCE LAMPS
NY 14 YEL	AISLE LAMPS SWITCH #1	AISLE LAMPS SWITCH #2
PA 14 WHT	REAR AUTO HEATER	GROUND
PB 14 WHT	REAR WINDOW WIPER MOTOR	GROUND
PC 14 YEL	BEDROOM CEILING LAMP SWITCH	BEDROOM CEILING LAMP
PD 14 YEL	MAKE UP LAMP #1 SWITCH	MAKE UP LAMP #1
PE 14 YEL	BATH CEILING LAMP SWITCH	BATH CEILING LAMP
PF 14 YEL	SHOWER LAMP SWITCH WIRE D WAS FIRST USED ON C'S	SHOWER LAMP
PG 14 YEL	WARDROBE LAMP SWITCH	WARDROBE LAMP
PH 14 YEL	AISLE LAMPS SWITCH	AISLE LAMPS
PJ 14 YEL	PORCH LAMP SWITCH	PORCH LAMP
PK 14 YEL	STRIP LAMP SWITCH	STRIP LAMP
PL 14 YEL	FRONT CEILING LAMP SWITCH	FRONT CEILING LAMP
PM 14 WHT	COACH LIGHTING CIRCUIT #6 (REF NM)	GROUND

WIRE IDENTIFICATION CHART		
CODE/COLOR	FROM:	TO:
PN 16 WHT	RIGHT POWER MIRROR (COMMON,BLK)	POWER MIRROR CONTROL SWITCH
PP 16 YEL	RIGHT POWER MIRROR (HORIZONTAL CONTROL,YEL)	POWER MIRROR CONTROL SWITCH
PR 16 YEL	RIGHT POWER MIRROR (VERTICAL CONTROL,WHT)	POWER MIRROR CONTROL SWITCH
PS 14 YEL	MAP LAMP SWITCH	MAP LAMP
PT 14 YEL	BEVERAGE TRAY LAMP SWITCH	BEVERAGE TRAY LAMP
PU 14 YEL	DUMP LAMP SWITCH	DUMP LAMP
PW 14 YEL	OVERCURRENT PROTECTION (15A BREAKER TYPICAL)	POWER DOOR LOCK/UNLOCK RELAY (PIN 30)
PX 16 YEL	POWER DOOR LOCK SWITCH (LOCK) (PIN 1)	POWER DOOR LOCK RELAY (PIN 86)
PY 16 YEL	POWER DOOR LOCK SWITCH (UNLOCK) (PIN 5)	POWER DOOR UNLOCK RELAY (PIN 86)
RA 14 YEL	VEHICLE LEFT FRONT TURN SIGNAL CIRCUIT	LEFT FRONT TURN SIGNAL/MARKER LAMP
RB 14 YEL	VEHICLE RIGHT FRONT TURN SIGNAL CIRCUIT	RIGHT FRONT TURN SIGNAL/MARKER LAMP
RC 14 WHT	FRONT AUTOMOTIVE LAMPS(TURN, MARKER,ETC)	GROUND
RD 14 YEL	OVERCURRENT PROTECTION (15 A FUSE TYPICAL)	HAZARD FLASHER, HORN RELAY
RE 12 YEL	RADIATOR FAN RELAY#1 (COMMON)	RADIATOR FAN #1
RF 12 YEL	RADIATOR FAN RELAY #2 (COMMON)	RADIATOR FAN #2
RG 14 WHT	RADIATOR FAN THERMOSTAT SWITCH	RADIATOR FAN RELAYS (COILS, TRIGGER)
RH 12YEL(BLK)	OVERCURRENT PROTECTION (25A BREAKER TYPICAL)	RADIATOR FAN RELAY #1 (NORMALLY OPEN)
RJ 12YEL(BLK)	OVERCURRENT PROTECTION (25A BREAKER TYPICAL)	RADIATOR FAN RELAY #2 (NORMALLY OPEN)
RK 12 WHT	RADIATOR FAN #1	GROUND

WIRE IDENTIFICATION CHART		
CODE/COLOR	FROM:	TO:
RL 12 WHT	RADIATOR FAN #2	GROUND
RM 14 WHT	VEHICLE IGNITION SWITCH GROUND DURING START CIRCUIT	BULB CHECK(LOW TAG AIR,PARK BRAKE,ETC)
RN 14 YEL	AUTOMOTIVE AIR CONDITIONER THERMOSTAT CUTOFF SWITCH	AUTOMOTIVE AIR CONDITIONER COMPRESSOR CLUTCH
RP 14 YEL	AUTOMOTIVE AIR CONDITIONER COOLANT FAN CONTROL	COOLANT FAN RELAY
RR 14 YEL	BRAKE LAMP SWITCH	TURN SIGNAL SWITCH
RS 14 YEL	HEADLAMP SWITCH INSTRUMENT PANEL LAMP FEED SWITCH	OVERCURRENT PROTECTION (5A FUSE TYPICAL)
RT 14 YEL	HORN RELAY (COMMON)	HORN
RU 14 YEL	HORN RELAY (COIL)	HORN SWITCH
RW 14 YEL	HAZARD FLASHER	TURN SIGNAL SWITCH
RX 14 YEL	EUL WARNING LAMP	EUL MODULE
RY 14 WHT	INSTRUMENT CLUSTER/ EUL MODULE	GROUND
SA 14 YEL	ENGINE WATER TEMPERATURE SENDER	ENGINE WATER TEMPERATURE GAUGE
SB 14 YEL	ENGINE OIL PRESSURE SENDER	ENGINE OIL PRESSURE GAUGE
SC 14 YEL	VEHICLE RIGHT REAR TURN SIGNAL/BRAKE LAMP CIRCUIT	RIGHT REAR TURN SIGNAL/ BRAKE LAMPS
SD 14 YEL	VEHICLE LEFT REAR TURN SIGNAL/BRAKE LAMP CIRCUIT	LEFT REAR TURN SIGNAL/ BRAKE LAMPS
SE 16YEL(WHT)	SPEED SENSOR (TWISTED PAIR)	SPEEDOMETER AND SPEED CONTROL MODULE
SF 16WHT(BLK)	SPEED SENSOR (TWISTED PAIR)	SPEEDOMETER AND SPEED CONTROL MODULE
SG 14 YEL	IGNITION SWITCH START FEED	GENERAL(NEUTRAL SAFETY SWITCH, FUEL PUMP RELAY COIL,ETC)
SH 14 YEL	IGNITION SWITCH RUN/START FEED	GENERAL(IGNITION COIL RELAY NORMALLY OPEN CONTACT,ETC)

WIRE IDENTIFICATION CHART		
CODE/COLOR	FROM:	TO:
SJ 12YEL(BLK)	OVERCURRENT PROTECTION (16GA FUSELINK TYPICAL)	CHASSIS BATTERY FEED
SK 12YEL(WHT)	OVERCURRENT PROTECTION (16GA FUSELINK TYPICAL)	CHASSIS BATTERY HEADLAMP SWITCH FEED #1
SL 12YEL(BLU)	OVERCURRENT PROTECTION (16GA FUSELINK TYPICAL)	CHASSIS BATTERY IGNITION SWITCH FEED #1
SM 12YEL(BLK)	OVERCURRENT PROTECTION (16GA FUSELINK TYPICAL)	RADIATOR FAN #1 CIRCUIT BREAKER FEED
SN 12YEL(BLK)	OVERCURRENT PROTECTION (16GA FUSELINK TYPICAL)	RADIATOR FAN #2 CIRCUIT BREAKER FEED
SP 14 YEL	HEADLAMP SWITCH MARKER CIRCUIT FEED	OVERCURRENT PROTECTION (15A FUSE TYPICAL)
SR 12YEL(BRN)	IGNITION SWITCH RUN ONLY FEED	OVERCURRENT PROTECTION (15A FUSE TYPICAL)
SS 12YEL(WHT)	IGNITION SWITCH ACCESSORY FEED	OVERCURRENT PROTECTION (15A FUSE TYPICAL)
ST 14 YEL	OVERCURRENT PROTECTION (15A FUSE TYPICAL)	TURNS/BACK UP CIRCUIT FEED
SU	STARTER SOLENOID BATTERY TERMINAL	ALTERNATOR BATTERY TERMINAL
SW 14 YEL	TURN SIGNAL FLASHER	TURN SIGNAL SWITCH
SX 14 YEL	REAR WINDOW WASHER SWITCH	REAR WINDOW WASHER BOTTLE PUMP
SY 14 YEL	IGNITION COIL	TACHOMETER
TA 14 YEL	OVERCURRENT PROTECTION (15A FUSE TYPICAL)	IGNITION RUN ONLY GENERAL FEED (RADIATOR FAN RELAY COIL,ETC)
TB 12 YEL	OVERCURRENT PROTECTION (25A FUSE TYPICAL)	IGNITION RUN ONLY GENERAL FEED (AUTO AC BLOWER(NOT HIGH),ETC)
TC 14 YEL	OVERCURRENT PROTECTION (15A FUSE TYPICAL)	IGNITION RUN ONLY GENERAL FEED (DOOR LOCKS,REAR WIPER,ETC.)
TD 14 YEL	OVERCURRENT PROTECTION (15A FUSE TYPICAL)	CHASSIS BATTERY GENERAL FEED
TE 16 WHT	GENERATOR	GENERATOR LOW OIL INDICATOR LAMP
TF 16 YEL	GENERATOR	GENERATOR LOW OIL INDICATOR LAMP

WIRE IDENTIFICATION CHART		
CODE/COLOR	FROM:	TO:
TG 16 YEL	TELEVISION	SPEAKER RIGHT (POSITIVE)
TH 16 WHT	TELEVISION	SPEAKER RIGHT (NEGATIVE)
TJ 16 YEL	TELEVISION	SPEAKER LEFT (POSITIVE)
TK 16 WHT	TELEVISION	SPEAKER LEFT (NEGATIVE)
TL 16 YEL	FRONT RIGHT TV SPEAKER NEGATIVE,SERIES CONNECTION	FRONT LEFT TV SPEAKER POSITIVE,SERIES CONNECTION
TM 16 WHT	STEP COVER SWITCH	STEP COVER SOLENOID MOVES STEP OUT
TN 14 YEL	STARTER SOLENOID BATTERY TERMINAL	ALTERNATOR REGULATOR
TP 14 WHT	REAR AUTOMOTIVE LAMPS(TURN, MARKER,ETC)	GROUND
TR 14 YEL	VEHICLE BACK UP CIRCUIT FEED	BACK UP LAMPS
TS 14 YEL	STARTER SOLENOID (I TERMINAL)	ENGINE WIRING (IGNITION MODULE)
TT 14 YEL	NEUTRAL SAFETY SWITCH	STARTER SOLENOID (S TERMINAL)
TU 14 WHT	IGNITION COIL RELAY (COIL)	GROUND
TW 14 YEL	IGNITION SWITCH START/RUN FEED	IGNITION COIL
TX 14 YEL	IGNITION COIL RELAY (COMMON)	IGNITION COIL
TY 14 YEL	ALTERNATOR (T TERMINAL)	CHOKE HEATER
UA 14 YEL	FUEL PUMP FUSE	OIL PRESSURE CUTOUT SWITCH/ FUEL PUMP RELAY(NO),ETC
UB 14 YEL	INERTIA SWITCH (FUEL PUMP SHUTOFF)	FUEL PUMP RELAY (NORMALLY CLOSED)
UC 14 YEL	FUEL PUMP RELAY (COMMON)	FUEL PUMP
UD 16 WHT	FUEL GAUGE	FUEL SENDER

WIRE IDENTIFICATION CHART		
CODE/COLOR	FROM:	TO:
UE 14 YEL	INERTIA SWITCH (FUEL PUMP SHUTOFF)	OIL PRESSURE CUTOFF SWITCH
UF 14 WHT	FUEL PUMP	GROUND
UG 14 WHT	FUEL PUMP RELAY (COIL)	GROUND
UH 16 YEL	LP DETECTOR (SHUTOFF SYSTEM,YEL)	LP SAFETY VALVE
UJ 16 YEL	LP DETECTOR (SHUTOFF SYSTEM,YEL)	LP SAFETY SWITCH
UK 16 WHT	LP DETECTOR (BLK)(REF WB)	GROUND
UL 16 WHT	EUL LAMP	EUL MODULE
UM 16 WHT	DOOR JAMB DOME LAMP SWITCH	GROUND
UN 16 WHT	SEAT BELT LAMP	EUL MODULE
UP 16 YEL	SEAT BELT LAMP	SEAT BELT BUZZER
UR 16 WHT	PARK BRAKE SWITCH	PARK BRAKE LAMP
US 16 YEL	OVERCURRENT PROTECTION (6A BREAKER TYPICAL)	COACH BATTERY FEED TO BATTERY CONDITION SWITCH
UT 14 YEL	DOOR JAMB DOME LAMP SWITCH (SWITCH POSITIVE)	DOME LAMP
UU 16 YEL	WATER HEATER	VACUUM VALVE SOLENOID
UW 16 WHT	VACUUM VALVE SOLENOID	GROUND
UX 16 YEL	LP DETECTOR #2 (SHUTOFF SYSTEM,YEL)	LP SAFETY VALVE
UY 16 YEL	LP DETECTOR #2 (SHUTOFF SYSTEM,YEL)	LP SAFETY VALVE
WA 14 YEL	EXTERIOR SERVICE LAMP SWITCH	EXTERIOR SERVICE LAMP
WB 16 YEL	OVERCURRENT PROTECTION (6A BREAKER TYPICAL)	LP DETECTOR (REF UK)

WIRE IDENTIFICATION CHART		
CODE/COLOR	FROM:	TO:
WC 14 YEL	DDVRCURRENT PROTECTION (15A BREAKER TYPICAL)	COMPARTMENT LAMPS (REF WE)
WD 14 WHT	AISLE LAMPS	GROUND
WE 14 WHT	COMPARTMENT LAMPS (REF WC)	GROUND
WF 12YEL(WHT)	OVERCURRENT PROTECTION (30A BREAKER TYPICAL)	PARK BRAKE COMPRESSOR SOENOID
WG 12YEL(BLK)	OVERCURRENT PROTECTION (30A BREAKER TYPICAL)	IGNITION RELAY
WH 14 YEL	OVERCURRENT PROTECTION (15A BREAKER TYPICAL)	IGNITION SWITCH RUN ONLY FEED
WJ 12 YEL	OVERCURRENT PROTECTION (20A BREAKER TYPICAL)	IGNITION SWITCH ACCESSORY FEED RELAY
WK 14 YEL	OVERCURRENT PROTECTION (15A BREAKER TYPICAL)	IGNITION SWITCH ACCESSORY FEED
WL 14 YEL	POWER DOOR LOCK RELAY (PIN 30)	POWER DOOR LOCK MOTOR(S) (LOCK)
WM 14 WHT	POWER DOOR UNLOCK RELAY (PIN 30)	POWER DOOR LOCK MOTOR(S) (UNLOCK)
WN 16 YEL	RADIO POWER SWITCH (ACCESSORY POWER)	DASH RADIO (ACCESSORY POWER)
WP 10 YEL	OVERCURRENT PROTECTION (25A BREAKER TYPICAL)	FRONT PANEL LOADS(INVERTER, RADIO)(96 M-SERIES)
WR 14 YEL	OVERCURRENT PROTENTION (15A BREAKER TYPICAL)	POWER SEAT LIFT SWITCH
WS 14 WHT	POWER SEAT LIFT SWITCH	GROUND
WT 14 YEL	POWER SEAT LIFT SWITCH (UP)	MOTOR (POSITIVE UP)
WU 14 WHT	POWER SEAT LIFT SWITCH (DOWN)	MOTOR (POSITIVE DOWN)
WW 14 WHT	SPOT LAMP SWITCH	GROUND
WX 14 YEL	HALLWAY CEILING LAMP SWITCH	HALLWAY CEILING LAMP
WY 10 WHT	AUTOMOTIVE AIR CONDITIONER MOTOR	GROUND

WIRE IDENTIFICATION CHART		
CODE/COLOR	FROM:	TO:
XA 12/10 YEL	VEHICLE AUTOMOTIVE AIR FEED CIRCUIT	AUTOMOTIVE AIR CONDITIONER BLOWER (USE 10 IF OVER 6')
XB 14 YEL	DRIVER'S DOOR POWER WINDOW SWITCH(PIN 5)	DRIVER'S DOOR POWER WINDOW MOTOR(POSITIVE UP)
XC 14 WHT	DRIVER'S DOOR POWER WINDOW SWITCH(PIN 1)	DRIVER'S DOOR POWER WINDOW MOTOR(POSITIVE DOWN)
XD 16 WHT	MONITOR PANEL	HOLDING TANK LEVEL SENSOR (FULL)
XE 16 WHT	MONITOR PANEL	HOLDING TANK LEVEL SENSOR (3/4)
XF 16 WHT	MONITOR PANEL	HOLDING TANK LEVEL SENSOR (1/2)
XG 16 WHT	MONITOR PANEL	HOLDING TANK LEVEL SENSOR (1/4)
XH 16 YEL	MONITOR PANEL	WATER TANK LEVEL SENSOR
XJ 16 YEL	MONITOR PANEL	BLACK HOLDING LEVEL SENSOR (MAIN TANK)
XK 16 YEL	MONITOR PANEL	GRAY AUXILIARY HOLDING TANK #1 LEVEL SENSOR (AUX TANK #1)
XL 16 YEL	MONITOR PANEL	GRAY AUXILIARY HOLDING TANK #2 LEVEL SENSOR (AUX TANK #2)
XM 14 YEL	OVERCURRENT PROTECTION (18GA FUSELINK TYPICAL)	IGNITION START RELAY
XN 16 YEL	FRONT ROOF AIR CONDITIONER (EXHAUST)	THERMOSTAT (EX TERMINAL)
XP 16 YEL	FRONT ROOF AIR CONDITIONER (COOL)	THERMOSTAT (Y TERMINAL)(Y EXPORT AIR)
XR 16 YEL	FRONT ROOF AIR CONDITIONER (HIGH SPEED BLOWER)	THERMOSTAT (GH TERMINAL)(H EXPORT AIR)
XS 16 YEL	FRONT ROOF AIR CONDITIONER (LOW SPEED BLOWER)	THERMOSTAT (GL TERMINAL)(G EXPORT AIR)
XT 14 YEL	IGNITION START RELAY #1 (NORMALLY CLOSED CONTACT)	IGNITION START RELAY #2 (COMMON CONTACT)
XU 14 YEL	DINETTE OVHD LAMP SWITCH	DINETTE OVHD LAMP
XW 14 WHT	IGNITION SWITCH ACCESSORY FEED RELAY CIRCUIT	GROUND

WIRE IDENTIFICATION CHART		
CODE/COLOR	FROM:	TO:
XX 14 YEL	GALLEY LAMP SWITCH	GALLEY LAMP
XY 14 YEL	MAKE UP LAMP #2 SWITCH	MAKE UP LAMP #2
YA 14 YEL	TAG AXLE PRESSURE CONTROL SWITCH	COMPRESSOR SOLENOID/ SOLENOID AIR VALVE
YB 14 WHT	LOW AIR PRESSURE SWITCH	GROUND
YC 10YEL(BLU)	OVERCURRENT PROTECTION (30A BREAKER TYPICAL)	TAG AXLE COMPRESSOR SOLENOID
YD 14 WHT	TAG AXLE MOUNTING PLATE SCREW	GROUND
YE 10 WHT	TAG AXLE COMPRESSOR	GROUND
YF 12 WHT	TAG AXLE BRAKE CONTROL MODULE/BRAKE MAGNET	GROUND
YG 12YEL(BLK)	OVERCURRENT PROTECTION (20A BREAKER TYPICAL)	TAG AXLE BRAKE CONTROL MODULE
YH 12YEL(BLU)	TAG AXLE BRAKE CONTROL MODULE	TAG AXLE BRAKE MAGNET
YJ 10YEL(WHT)	TAG AXLE COMPRESSOR SOLENOID	TAG AXLE COMPRESSOR
YK 14 YEL	BEDROOM CEILING LAMP SWITCH#1 (2 SWITCH SYSTEM)	BEDROOM CEILING LAMP SWITCH #2 (2 SWITCH SYSTEM)
YL 14 YEL	BEDROOM CEILING LAMP SWITCH #1 (2 SWITCH SYSTEM)	BEDROOM CEILING LAMP SWITCH #2 (2 SWITCH SYSTEM)
YM 14 YEL	HALLWAY CEILING LAMP SWITCH #1 (2 SWITCH SYSTEM)	HALLWAY CEILING LAMP SWITCH #2 (2 SWITCH SYSTEM)
YN 14 YEL	HALLWAY CEILING LAMP SWITCH #1 (2 SWITCH SYSTEM)	HALLWAY CEILING LAMP SWITCH #2 (2 SWITCH SYSTEM)
YP 14 YEL	VALANCE LAMP SWITCH #1 (3 WAY SWITCH)	VALANCE LAMP SWITCH #2 (3 WAY SWITCH)
YR 14 YEL	VALANCE LAMP SWITCH #1 (3 WAY SWITCH)	VALANCE LAMP SWITCH #2 (3 WAY SWITCH)
YS 14 YEL	VALANCE LAMP SWITCH	VALANCE LAMP
YT 14 YEL	FRONT VALANCE LAMP SWITCH	FRONT VALANCE LAMP

WIRE IDENTIFICATION CHART		
CODE/COLOR	FROM:	TO:
YU 14 YEL	REAR VALANCE LAMP SWITCH	REAR VALANCE LAMP
YW 14 WHT	DOOR BELL SWITCH	DOOR BELL
YX 14 YEL	IGNITION SWITCH RUN/START FEED	ALTERNATOR WARNING LAMP
YY 14 YEL	ALTERNATOR VOLTAGE REGULATOR	ALTERNATOR WARNING LAMP
AAA 16 WHT	STEP COVER SWITCH (REF GX)	STEP COVER SOLENOID MOVES STEP IN
AAB 14 YEL	DINETTE READING LAMPS	DINETTE READING LAMP SWITCH
AAC 14 YEL	LOUNGE READING LAMPS	LOUNGE READING LAMP SWITCH
AAD 14 YEL	FORD CHASSIS TRAILER MARKER LAMP CIRCUIT (BR/WHT)	TRAILER CONNECTOR SOCKET MARKER LAMPS
AAE 14 YEL	FORD CHASSIS TRAILER BACKUP LAMP CIRCUIT (BLK/LT GRN)	TRAILER CONNECTOR SOCKET BACKUP LAMPS
AAF 14 YEL	FORD CHASSIS TRAILER LEFT TURN/BRAKE LAMP CIRCUIT (YEL)	TRAILER CONNECTOR SOCKET LEFT TURN/BRAKE LAMP
AAG 14 YEL	FORD CHASSIS TRAILER RIGHT TURN/BRAKE LAMP CIRCUIT (DKG)	TRAILER CONNECTOR SOCKET RIGHT TURN/BRAKE LAMP
AAH 14 YEL	BATH-VENT,POWER	BATH-VENT, THERMOSTAT
AAJ 14 YEL	BATH-VENT,POWER	BATH-VENT, THERMOSTAT
AAK 16 WHT	SWITCH-WATER PUMP (MULTIPLEX SYSTEM)	LATCHING RELAY (WITH 4 OR MORE SWITCHES)
AAL 16 WHT	SWITCH-WATER PUMP (MULTIPLEX SYSTEM)	GROUND
AAM 14 YEL	CHASSIS SUPPLIED WIRE ASM (DARK BLUE) (GM)	RIGHT TAIL LAMP PARK (WIE)
AAN 14 YEL	CHASSIS SUPPLIED WIRE ASM (PURPLE) (GM)	LEFT TAIL LAMP PARK (WIE)
AAP 10 YEL	55 AMP BREAKER JUMPER WIRE	30 AMP BREAKER
AAR 14 YEL	TV/RADIO SPEAKER FEED SELECTOR SWITCH	TV SPEAKER AMPLIFIER

WIRE IDENTIFICATION CHART		
CODE/COLOR	FROM:	TO:
AAS 16 YEL	SPEAKER (NEGATIVE) SPEAKERS IN SERIES	SPEAKER (POSITIVE)
AAT 16 YEL	AMPLIFIER POSITIVE OUT (AAU NEGATIVE)	FRONT WOOFER (WITH DELUXE SOUND SYSTEM)
AAU 16 WHT	AMPLIFIER NEGATIVE OUT (AAT POSITIVE)	FRONT WOOFER (WITH DELUXE SOUND SYSTEM)
AAW 16 YEL	AMPLIFIER POSITIVE OUT (AAX NEGATIVE)	REAR WOOFER (WITH DELUXE SOUND SYSTEM)
AAX 16 WHT	AMPLIFIER NEGATIVE OUT (AAW POSITIVE)	REAR WOOFER (WITH DELUXE SOUND SYSTEM)
AAZ 12 YEL	SLIDEOUT ROOM CONTROL SWITCH (RAM #1)	SLIDEOUT DRIVE MOTOR LEAD #1
AAZ 12 YEL	SLIDEOUT ROOM CONTROL SWITCH (RAM #1)	SLIDEOUT DRIVE MOTOR LEAD #2
BBA 16 WHT	SLIDEOUT WIRING (PARK BRAKE SW)(SWITCHED GRD)	SLIDEOUT ROOM RELAY (GROUND TERMINAL)
BBB 16 YEL	SLIDEOUT ROOM CIRCUIT BREAKER (6 AMP)	SLIDEOUT ROOM RELAY (PIN 86 & 87)
BBC 16 YEL	LOAD SHEDDER MONITOR PANEL (RED WIRE)	LOAD SHEDDER CONTROL BOARD (RED WIRE)
BBD 16 YEL	LOAD SHEDDER MONITOR PANEL (BLUE WIRE)	LOAD SHEDDER CONTROL BOARD (BLUE WIRE)
BBE 16 YEL	LOAD SHEDDER MONITOR PANEL (BLACK WIRE)	LOAD SHEDDER CONTROL BOARD (BLACK WIRE)
BBF 16 YEL	LOAD SHEDDER MONITOR PANEL (GRAY WIRE)	LOAD SHEDDER CONTROL BOARD (GRAY WIRE)
BBG 14 YEL	DINETTE CEILING LAMP SWITCH	DINETTE CEILING LAMP
BBH 16 YEL	REAR COMPRESSOR SIGNAL REAR THERMOSTAT	LOAD SHEDDER CONTROL BOARD
BBJ 16 YEL	LOAD SHEDDER CONTROL BOARD	REAR A/C (COOL)
BBK 12 WHT	JET AIR/TAG AXLE WIRING	GROUND, CHASSIS
BBL 14 YEL	OVHD SWITCH	OVHD HALOGEN LAMPS
BBM 16 YEL	SLIDEOUT ROOM SWITCH (ROOM TWO EXTEND)	HWH WIRING (ROOM TWO EXTEND)

WIRE IDENTIFICATION CHART		
CODE/COLOR	FROM:	TO:
BBN 16 YEL	SLIDEOUT ROOM SWITCH (ROOM TWO RETRACT)	HWH WIRING (ROOM TWO RETRACT)
BBP 14 YEL	ICC COURTESY BLINK SWITCH	ICC COURTESY BLINK RELAY
BBR 14 YEL	ICC COURTESY BLINK RELAY	CLEARANCE LAMPS
BBS 14 YEL	CHASSIS FUSE PANEL	ICC COURTESY BLINK RELAY
BBT 14 YEL	DOCKING LAMP SWITCH TRIGGER RELAY	DOCKING LAMP SWITCH
BBU 12 YEL	DOCKING LAMP CIRCUIT BREAKER	DOCKING LAMP RELAY
BBW 14 YEL	VEHICLE LEFT HEADLAMP LOW BEAM CIRCUIT	LEFT LOW BEAM LAMP
BBX 14 YEL	VEHICLE RIGHT HEADLAMP LOW BEAM CIRCUIT	RIGHT LOW BEAM LAMP
BBY 14 YEL	SWITCH-MONITOR PANEL (IN EXT. WATER CENTER)	EXTERIOR MONITOR PANEL (IN EXT. WATER CENTER)
BBZ 14 YEL	OVERCURRENT PROTECTION (15A FUSE/BREAKER TYPICAL)	AUXILIARY FURNACE (CCA)
CCA 14 WHT	AUXILIARY FURNACE	GROUND
CCB 16 YEL	EXTERIOR MONITOR PANEL	WATER TANK LEVEL SENSOR
CCC 16 YEL	EXTERIOR MONITOR PANEL	MAIN HOLDING TANK LEVEL SENSOR
CCD 16 YEL	EXTERIOR MONITOR PANEL	AUX HOLDING TANK LEVEL SENSOR
CCE 14 YEL	COMPARTMENT LAMP SWITCH	COMPARTMENT LAMP
CCF 14 YEL	COMPARTMENT LAMP SWITCH	COMPARTMENT LAMP
CCG 14 YEL	COMPARTMENT LAMP SWITCH	COMPARTMENT LAMP
CCH 14 YEL	COMPARTMENT LAMP SWITCH	COMPARTMENT LAMP
CCJ 14 YEL	COMPARTMENT LAMP SWITCH	COMPARTMENT LAMP

WIRE IDENTIFICATION CHART		
CODE/COLOR	FROM:	TO:
CCK 14 YEL	COMPARTMENT LAMP SWITCH	COMPARTMENT LAMP
CCL 14 YEL	COMPARTMENT LAMP SWITCH	COMPARTMENT LAMP
CCM 14 YEL	COMPARTMENT LAMP SWITCH	COMPARTMENT LAMP
CCN 16 YEL	THERMOSTATE LOW SPEED FAN SIGNAL	CENTRAL AIR AND LOAD SHEDDER
CCP 16 YEL	LOAD SHEDDER COMPRESSOR TWO CONTROL RELAY	CENTRAL A/C COMPRESSOR TWO
CCR 14 YEL	SWITCH-MONITOR PANEL (IN EXT. WATER CENTER)	EXTERIOR MONITOR PANEL (IN EXT. WATER CENTER)
CCS 16 YEL	NOISE FILTER	RADIO POWER INPUT
CCT 16 YEL	REAR RIGHT TV SPEAKER NEGATIVE,SERIES CONNECTION	REAR LEFT TV SPEAKER POSITIVE,SERIES CONNECTION
CCU 16 YEL	GM DOME LAMP POWER	DOME LAMP
CCW 12 YEL	DUAL MODE SOLENOID (CHASSIS SIDE)	FUSE HOLDER (30 AMP)
CCX 16 YEL	ORG WIRE ON AIR COMPRESSOR	AIR PRESSURE SWITCH ON AIR TANK
CCY 16 YEL	HWH WIRING (BATTERY POWER)	SLIDEOUT ROOM SWITCH (POSITIVE)
CCZ 16 YEL	HWH WIRING (SWITCHED BATTERY POWER)	SLIDEOUT ROOM #1 SWITCH (POSITIVE)
DDA 16 YEL	HWH WIRING (PUMP RELAY CONTROL)	SLIDEOUT ROOM SWITCH (POSITIVE)
ddb 14 YEL	REAR AUTO HEATER CIRCUIT BREAKER	REAR AUTO HEATER RELAY (POWER)
DDC 14 YEL	REAR AUTO HEATER RELAY (SWITCHED POWER)	REAR AUTO HEATER SWITCH (COMMON TERMINAL)
DDD 14 YEL	MODULE-CHARGE CONTROL RELAY OUTPUT	AUX-START SOLENOID RELAY
DDE 14 YEL	AUX-START SOLENOID RELAY	AUX-START SOLENOID
DDF 10 YEL	HEATER BLOWER CIRCUIT BREAKER	HEATER BLOWER RELAY

WIRE IDENTIFICATION CHART		
CODE/COLOR	FROM:	TO:
DDG 10 YEL	CIRCUIT BREAKER BUSS BAR	CHASSIS BATTERY FEED CIRCUIT BREAKER
DDH 14 YEL	FREIGHTLINER RUN ONLY TRIGGER CIRCUIT	HEATER BLOWER RELAY
DDJ 16 WHT	CHASSIS PARKING BRAKE TRIGGER CIRCUIT	LEVELING SYSTEM PARKING BRAKE SENSOR WIRE
DDK 16 YEL	HWH WIRING (PUMP RELAY CONTROL)	REAR SLIDEOUT ROOM SWITCH (POSITIVE)
DDL 14 WHT	FRONT LEFT AUTOMOTIVE LAMPS	GROUND
DDM 14 WHT	FRONT RIGHT AUTOMOTIVE LAMPS	GROUND
DDN 16 YEL	TIMER MODULE	CHECK ANTENNA LIGHT
DDP 12 YEL	OVERCURRENT PROTECTION (20A BREAKER TYPICAL)	INVERTER FEED (INVERTER NUMBER 2)
DDR 12 WHT	INVERTER (INVERTER NUMBER 2)	GROUND
DDS 12 WHT	INVERTER CHASSIS (INVERTER NUMBER 2)	GROUND
DDT 12 YEL	POWER COMPT DOOR LOCK RELAY (RIGHT SIDE)	POWER COMPT DOOR LOCK MOTOR(S) (RIGHT SIDE)
DDU 12 WHT	POWER COMPT DOOR UNLOCK RELAY (RIGHT SIDE)	POWER COMPT LOCK MOTOR(S) (UNLOCK) (RIGHT SIDE)
DDV 12 YEL	POWER COMPT DOOR LOCK RELAY (LEFT SIDE)	POWER COMPT LOCK MOTOR(S) (LOCK) (LEFT SIDE)
DDW 12 WHT	POWER COMPT DOOR UNLOCK RELAY (LEFT SIDE)	POWER COMPT LOCK MOTOR(S) (UNLOCK) (LEFT SIDE)
DDX 12 YEL	OVERCURRENT PROTECTION (20A BREAKER TYPICAL)	POWER COMPT DOOR LOCK/ UNLOCK RELAY (RIGHT SIDE)
DDY 12 YEL	OVERCURRENT PROTECTION (20A BREAKER TYPICAL)	POWER COMPT DOOR LOCK/ UNLOCK RELAY (LEFT SIDE)
DDZ 12 YEL	POWER COMPT DOOR LOCK SWITCH (LOCK) (PIN 1)	POWER COMPT DOOR LOCK RELAY (PIN 86)
EEA 12 WHT	POWER COMPT DOOR LOCK SWITCH (UNLOCK) (PIN 5)	POWER COMPT DOOR UNLOCK RELAY (PIN 86)
EEB 12 WHT	POWER COMPT DOOR LOCK RELAYS (LEFT SIDE)	GROUND

WIRE IDENTIFICATION CHART		
CODE/COLOR	FROM:	TO:
EEC 12 YEL	25 AMP BREAKER IN 12 VOLT PANEL	SOFA RECLINER SWITCH SOFA 4-WAY RECLINER
EED 12 WHT	SOFA RECLINER SWITCH SOFA 4-WAY RECLINER	GROUND
EEE 14 YEL	OVERCURRENT PROTECTION (15A BREAKER TYPICAL)	12V POWER JACK
EEF 14 WHT	12V POWER JACK	GROUND
EEG 12 WHT	POWER COMPT DOOR LOCK RELAYS (RIGHT SIDE)	GROUND
EEH 12 YEL	SOFA RECLINER SWITCH EXTEND	SOFA RECLINER MOTOR SOFA 4-WAY
EEJ 12 YEL	SOFA RECLINER SWITCH RETRACT	SOFA RECLINER MOTOR SOFA 4-WAY
EEK 18 YEL	AUDIO AMPLIFIER	LH FRT SPKR (+)
EEL 18 WHT	AUDIO AMPLIFIER	LH FRT SPKR (-)
EEM 18 YEL	AUDIO AMPLIFIER	RH FRT SPKR (+)
EEN 18 WHT	AUDIO AMPLIFIER	RH FRT SPKR (-)
EEP 18 YEL	AUDIO AMPLIFIER	LH RR SPKR (+)
EER 18 WHT	AUDIO AMPLIFIER	LH RR SPKR (-)
EES 18 YEL	AUDIO AMPLIFIER	RH RR SPKR (+)
EET 18 WHT	AUDIO AMPLIFIER	RH RR SPKR (-)
EEU 18 YEL	AUDIO AMPLIFIER	CTR CHANNEL SPKR (+)
EEW 18 WHT	AUDIO AMPLIFIER	CTR CHANNEL SPKR (-)
EEY 12/10 YEL	PASSENGER AUTO A/C FEED CIRCUIT	PASSENGER AUTO A/C BLOWER (USE 10 IF OVER 6')
EEZ 10 WHT	PASSENGER AUTO A/C MOTOR	GROUND

WIRE IDENTIFICATION CHART		
CODE/COLOR	FROM:	TO:
EEZ 12/10 YEL	OVERCURRENT PROTECTION (30A BREAKER TYPICAL)	PASSENGER HI-SPEED HEATER FAN (USER 10 IF OVER 6')
FFA 10 YEL	PASSENGER HEATER BLOWER CIRCUIT BREAKER	PASSENGER HEATER BLOWER RELAY
FFB 10 YEL	OVERCURRENT PORTECTION (30A BREAKER TYPICAL)	POWER LOUNGE CHAIR
FFC 10 WHT	POWER LOUNGE CHAIR	GROUND
FFD 12 YEL	OVERCURRENT PROTECTION (30A BREAKER TYPICAL)	AWNING CONTROL BOX (12V POSITIVE)
FFE 12 WHT	AWNING CONTROL BOX	GROUND
FFF 12 YEL	AWNING CONTROL BOX	DOOR AWNING (MOTOR POSITIVE)
FFG 12 WHT	DOOR AWNING (MOTOR GROUND)	AWNING CONTROL BOX
FFH 12 YEL	AWNING CONTROL BOX	PATIO AWNING (MOTOR POSITIVE)
FFJ 12 WHT	PATIO AWNING (MOTOR GROUND)	AWNING CONTROL BOX
FFK 16 YEL	AWNING CONTROL BOX	DOOR AWNING SWITCH (EXTEND)
FFL 16 YEL	DOOR AWNING SWITCH (COMMON)	AWNING CONTROL BOX
FFM 16 YEL	AWNING CONTROL BOX	DOOR AWNING SWITCH (RETRACT)
FFN 16 YEL	AWNING CONTROL BOX	PATIO AWNING SWITCH (EXTEND)
FFP 16 YEL	PATIO AWNING SWITCH (COMMON)	AWNING CONTROL BOX
FFR 16 YEL	AWNING CONTROL BOX	PATIO AWNING SWITCH (RETRACT)
FFS 14 WHT	RELAY (PIN 30)	AWNING CONTROL BOX
FFT 14 WHT	PATIO AWNING SWITCH	AWNING CONTROL BOX
FFU 16 YEL	AWNING SELECTOR SWITCH (DOOR AWNING)	AWNING CONTROL SWITCH (DOOR AWNING)

WIRE IDENTIFICATION CHART		
CODE/COLOR	FROM:	TO:
FFV 16 YEL	AWNING SELECTOR SWITCH (PATIO AWNING)	AWNING CONTROL SWITCH (PATIO AWNING)
FFW 14 YEL	LOUNGE LAMPS SWITCH #1	LOUNGE LAMPS SWITCH #2
FFX 14 YEL	LOUNGE LAMPS SWITCH #1	LOUNGE LAMPS SWITCH #2
FFY 14 YEL	CEILING FAN SWITCH	CEILING FAN
FFZ 14 YEL	OVERCURRENT PROTECTION (15A FUSE/BREAKER TYPICAL)	COACH LIGHTING, ETC CIRCUIT #7 (REF GGA)
GGA 14 WHT	COACH LIGHTING (REF-FFZ)	GROUND
GGB 14 YEL	POWER LIFT VENT	POWER LIFT SWITCH (UP)
GGC 14 YEL	POWER LIFT VENT	POWER LIFT SWITCH (DOWN)
GGD 16 YEL	CONTROL MODULE (LEFT FRONT SLIDE) (STOP)	SLIDEOUT SWITCH (LEFT FRONT SLIDE)
GGE 16 YEL	CONTROL MODULE (LEFT FRONT SLIDE) (GREEN LED)	SLIDEOUT SWITCH (LEFT FRONT SLIDE)
GGF 16 YEL	CONTROL MODULE (LEFT FRONT SLIDE) (RED LED)	SLIDEOUT SWITCH (LEFT FRONT SLIDE)
GGG 16 YEL	CONTROL MODULE (LEFT FRONT SLIDE) (SIGNAL)	LEFT FRONT SLIDE, FRONT RAM (ENCODER)
GGH 16 YEL	CONTROL MODULE (LEFT FRONT SLIDE) (+)	LEFT FRONT SLIDE, FRONT RAM (ENCODER)
GGJ 16 WHT	CONTROL MODULE (LEFT FRONT SLIDE) (-)	LEFT FRONT SLIDE, FRONT RAM (ENCODER)
GGK 16 YEL	CONTROL MODULE (LEFT FRONT SLIDE) (SIGNAL)	LEFT FRONT SLIDE, REAR RAM (ENCODER)
GGL 16 YEL	CONTROL MODULE (LEFT FRONT SLIDE) (+)	LEFT FRONT SLIDE, REAR RAM (ENCODER)
GGM 16 WHT	CONTROL MODULE (LEFT FRONT SLIDE) (-)	LEFT FRONT SLIDE, REAR RAM (ENCODER)
GGN 12 YEL	CONTROL MODULE (RAM #2)	SLIDEOUT ACTUATOR DRIVE LEAD #1
GGP 12 YEL	CONTROL MODULE (RAM #2)	SLIDEOUT ACTUATOR DRIVE LEAD #2

WIRE IDENTIFICATION CHART		
CODE/COLOR	FROM:	TO:
GGR 16 YEL	FRONT ROOF HEAT PUMP	THERMOSTAT (W TERMINAL)
GGS 16 YEL	REAR ROOF HEAT PUMP	THERMOSTAT (W TERMINAL)
GGT 12 YEL	SOFA RECLINER SWITCH EXTEND	SOFA RECLINER MOTOR SOFA 4-WAY
GGU 12 YEL	SOFA RECLINER SWITCH RETRACT	SOFA RECLINER MOTOR SOFA 4-WAY
GGV 14 WHT	GPS (BLACK WIRE)	GROUND
GGW 16 YEL	GPS (GREEN/WHITE WIRE)	VEHICLE SPEED SENSOR (CHASSIS SUPPLIED)
GGX 14 YEL	10 OHM RESISTOR *	BEDROOM CEILING FAN (LOW SPEED)
GGY 14 YEL	BATHROOM VENT SWITCH	BATHROOM VENT
GGZ 14 YEL	BEDROOM VENT SWITCH	BEDROOM VENT
HHA 14 YEL	OVERCURRENT PROTECTION (15A FUSE/BREAKER TYPICAL)	COACH VENTS/LAMPS (REF HHB)
HHB 14 WHT	COACH VENTS/LAMPS (REF HHA)	GROUND
HHC 12 YEL	STEP COVER SWITCH	STEP COVER MOTOR (+)RETRACT, (-)EXTEND
HHD 12 YEL	STEP COVER SWITCH	STEP COVER MOTOR (-)EXTEND, (+)RETRACT
HHE 16 YEL	SLIDEOUT ROOM SWITCH (ROOM THREE EXTEND)	HWH WIRING (ROOM THREE EXTEND)
HHF 16 YEL	SLIDEOUT ROOM SWITCH (ROOM THREE RETRACT)	HWH WIRING (ROOM THREE RETRACT)
HHG 16 YEL	SLIDEOUT ROOM SWITCH (ROOM FOUR EXTEND)	HWH WIRING (ROOM FOUR EXTEND)
HHH 16 YEL	SLIDEOUT ROOM SWITCH (ROOM FOUR RETRACT)	SLIDEOUT ROOM SWITCH (ROOM FOUR RETRACT)
HHJ 14 YEL	110V WATER HEATER TRIGGER SWITCH	WATER HEATER RELAY
HHK 14 YEL	DRIVER'S POWER SUNVISOR SWITCH	DRIVER'S POWER SUNVISOR

WIRE IDENTIFICATION CHART		
CODE/COLOR	FROM:	TO:
HHL 14 YEL	DRIVER'S POWER SUNVISOR SWITCH	DRIVER'S POWER SUNVISOR
HHM 14 YEL	PASS POWER SUNVISOR SWITCH	PASS POWER SUNVISOR
HHN 14 YEL	PASS POWER SUNVISOR SWITCH	PASS POWER SUNVISOR
HHP 14 YEL	HOT WATER HEAT CONTROL BOARD (F1)	ZONE 1 FAN SPEED SWITCH
HHR 14 YEL	ZONE 1 FAN SPEED SWITCH	ZONE 1 HEATER FAN
HHS 16 YEL	HOT WATER HEAT CONTROL BOARD (TC)	ZONE 2 & 3 THERMOSTAT
HHT 16 YEL	HOT WATER HEAT CONTROL BOARD (T2)	ZONE 2 THERMOSTAT
HHU 14 YEL	HOT WATER HEAT CONTROL BOARD (F2)	ZONE 2 FAN SPEED SWITCH
HHV 14 YEL	ZONE 2 FAN SPEED SWITCH	ZONE 2 HEATER FAN
HHW 16 YEL	HOT WATER HEAT CONTROL BOARD (T3)	ZONE 3 THERMOSTAT
HHX 14 YEL	HOT WATER HEAT CONTROL BOARD (F3)	ZONE 3 HEATER FAN
HHY 16 WHT	AWNING CONTROL BOX	WIND SENSOR (NEGATIVE)
HHZ 16 YEL	AWNING CONTROL BOX	WIND SENSOR (POSITIVE)
JJA 16 YEL	AWNING CONTROL BOX	WIND SENSOR TEMPERATURE OUTPUT
JJB 16 YEL	AWNING CONTROL BOX	WIND SENSOR SPEED OUTPUT
JJC 14 YEL	ENGINE HEATER CIRCULATING PUMP SWITCH	HOT WATER HEAT CONTROL PANEL (BLU/BLK WIRE)
JJD 10 YEL	OVERCURRENT PROTECTION (25 FUSE TYPICAL)	HOT WATER HEAT CONTROL BOARD
JJE 10 WHT	HOT WATER HEAT CONTROL BOARD	GROUND
JJF 14 YEL	SATELLITE POWER SWITCH	SATELLITE-AUTO SEEK

WIRE IDENTIFICATION CHART		
CODE/COLOR	FROM:	TO:
JJG 12 YEL	OVERCURRENT PROTECTION (20 AMP BREAKER TYPICAL)	SLIDEOUT ROOM CONTROL SWITCH (RAM #3)
JJH 12 WHT	SLIDEOUT ROOM CONTROL SWITCH (RAM #3)	GROUND
JJJ 12 YEL	SLIDEOUT ROOM CONTROL SWITCH (RAM #3)	SLIDEOUT DRIVE MOTOR LEAD #1
JJK 12 YEL	SLIDEOUT ROOM CONTROL SWITCH (RAM #3)	SLIDEOUT DRIVE MOTOR LEAD #2
JJL 12 YEL	OVERCURRENT PROTECTION (20 AMP BREAKER TYPICAL)	SLIDEOUT ROOM CONTROL SWITCH (RAM #2)
JJM 16 YEL	HWH WIRING (SWITCHED BATTERY POWER)	SLIDEOUT ROOM SWITCH #2 (SWITCHED EXTEND/RETRACT PWR)
JJN 16 YEL	HWH WIRING (SWITCHED BATTERY POWER)	SLIDEOUT ROOM SWITCH #3 (SWITCHED EXTEND/RETRACT PWR)
JJP 16 YEL	HWH WIRING (SWITCHED BATTERY POWER)	SLIDEOUT ROOM SWITCH #4 (SWITCHED EXTEND/RETRACT PWR)
JJR 16 YEL	REMOTE SWITCH (EXTEND)	PATIO AWNING CONTROL MODULE (RELAY POSITION 87A, EXTEND)
JJS 12 YEL	REMOTE SWITCH	DOOR AWNING CONTROL RELAY (RELAY POSITION 87A, EXTEND)
JJT 14 YEL	OVERCURRENT PROTECTION (15A FUSE/BREAKER TYPICAL)	COACH 12V RECEPTACLES (REF JJU)
JJU 14 WHT	COACH 12V RECEPTACLES (REF JJT)	GROUND
JJV 14 YEL	MONITOR PANEL LAMP SWITCH	MONITOR PANEL LAMP
JJW 14 YEL	RUN ONLY POWER BREAKER	RUN ONLY POWER RELAY
JJX 14 YEL	RUN ONLY POWER RELAY	GENERAL PURPOSE (RUN ONLY FEED)
JJY 14 YEL	RUN/ACC POWER #1 BREAKER	RUN/ACC POWER #1 RELAY
JJZ 14 YEL	RUN/ACC POWER #1 RELAY (REF LLD)	GENERAL PURPOSE (RUN/ACC FEED #1)
KKA 14 YEL	RUN/ACC POWER #2 BREAKER	RUN/ACC POWER #2 RELAY
KKB 14 YEL	RUN/ACC POWER #2 RELAY (REF LLE)	GENERAL PURPOSE (RUN/ACC FEED #2)

WIRE IDENTIFICATION CHART		
CODE/COLOR	FROM:	TO:
KKC 12 YEL	POWER SEAT RELAY	POWER SEAT (HEATER)
KKD 16 YEL	CONFIRMATION EMERGENCY SHUT OFF SWITCH (IN COACH)	EMERGENCY SHUT OFF SWITCH (ON REMOTE FILL BRACKET)
KKE 16 YEL	EMERGENCY SHUT OFF SWITCH (ON REMOTE FILL BRACKET)	EMERGENCY SHUT OFF SOLENOID (ON LP TANK)
KKF 6 BLK	BATTERY DISCONNECT RELAY	COACH BUSS BAR
KKG 8 BLK	BATTERY MODE SOLENOID	CHASSIS BUSS BAR
KKH 14 YEL	EXTERIOR SERVICE LAMP SWITCH #1	EXTERIOR SERVICE LAMP SWITCH #2
KKJ 14 YEL	EXTERIOR SERVICE LAMP SWITCH #1	EXTERIOR SERVICE LAMP SWITCH #2
KKK 16 YEL	HWH WIRING (SWITCHED BATTERY POWER)	SLIDEOUT ROOM #2 SWITCH (POSITIVE)
KKL 16 YEL	HWH WIRING (SWITCHED BATTERY POWER)	SLIDEOUT ROOM #3 SWITCH (POSITIVE)
KKM 16 YEL	HWH WIRING (SWITCHED BATTERY POWER)	SLIDEOUT ROOM #4 SWITCH (POSITIVE)
KKN 14 YEL	KEYLESS ENTRY PORCH LIGHT OUTPUT	PORCH/STEP/MAP LAMP
KKP 14 YEL	LOUNGE CEILING ROPE LAMP SWITCH (CIRCUIT #1)	LOUNGE CEILING ROPE LAMP (REF CIRCUIT SSZ)
KKR 14 YEL	BEDROOM CEILING ROPE LAMP SWITCH	BEDROOM CEILING ROPE LAMP
KKS 14 YEL	BEDROOM VALANCE LAMP SWITCH	BEDROOM VALANCE LAMP
KKT 14 YEL	BEDROOM "MOOD" LAMP SWITCH	BEDROOM "MOOD" LAMP
KKU 16 YEL	REAR TV SPEAKER OUTPUT (RIGHT POSITIVE)	RIGHT SPEAKER (POSITIVE)
KKV 16 WHT	REAR TV SPEAKER OUTPUT (RIGHT NEGATIVE)	RIGHT SPEAKER (NEGATIVE)
KKW 16 YEL	REAR TV SPEAKER OUTPUT (LEFT POSITIVE)	LEFT SPEAKER (POSITIVE)
KKX 16 WHT	REAR TV SPEAKER OUTPUT (LEFT NEGATIVE)	LEFT SPEAKER (NEGATIVE)

WIRE IDENTIFICATION CHART		
CODE/COLOR	FROM:	TO:
KKY 14 YEL	OVERCURRENT PROTECTION (15A FUSE/BREAKER TYPICAL)	COACH LIGHTING,ETC CIRCUIT #8 (REF KKZ)
KKZ 14 WHT	COACH LIGHTING (REF KKY)	GROUND
LLA 14 YEL	OVERCURRENT PROTECTION (15A FUSE/BREAKER TYPICAL)	COACH LIGHTING,ETC CIRCUIT #9 (REF LLB)
LLB 14 WHT	COACH LIGHTING (REF LLA)	GROUND
LLC 14 YEL	SEAT HEATER BREAKER (15 AMP BREAKER TYPICAL)	SEAT HEATER RELAY POSITION 30
LLD 14 WHT	RUN/ACC FEED #1 (REF JJZ)	GROUND
LLE 14 WHT	RUN/ACC FEED #2 (REF KKB)	GROUND
LLF 14 YEL	DOME LAMP RELAY	DOME LAMP
LLG 10/12 YEL	TRAILER BRAKE SIGNAL (OUTPUT FROM CONTROLLER)	TRAILER CONNECTOR (ELECTRIC BRAKES)
LLH 14 WHT	RUN ONLY GROUND SOURCE (CHASSIS SUPPLIED)	AUX START RELAY
LLJ 14 YEL	AUX START RELAY (RUN ONLY POWER)	AUX START SWITCH
LLK 10 YEL	CHASSIS BREAKER PANEL (LH FRT SLIDE)(FRT RAM)	CONTROL MODULE (LH FRT SLIDE)
LLL 10 WHT	CHASSIS GROUND BAR (LH FRT SLIDE)(FRT RAM)	CONTROL MODULE (LH FRT SLIDE)
LLM 10 YEL	CHASSIS BREAKER PANEL (LH FRT SLIDE)(REAR RAM)	CONTROL MODULE (LH FRT SLIDE)
LLN 10 WHT	CHASSIS GROUND BAR (LH FRT SLIDE)(REAR RAM)	CONTROL MODULE (LH FRT SLIDE)
LLP 10 YEL	CHASSIS BREAKER PANEL (REAR SLIDE RAM)	CONTROL MODULE (REAR SLIDE)
LLR 10 WHT	CHASSIS GROUND BAR (REAR SLIDE RAM)	CONTROL MODULE (REAR SLIDE)
LLS 10 YEL	CONTROL MODULE (LEFT FRONT SLIDE)	LT FRT SLIDE FRT RAM (MOTOR DRIVE LINE)
LLT 10 YEL	CONTROL MODULE (LEFT FRONT SLIDE)	LT FRT SLIDE FRT RAM (MOTOR DRIVE LINE)

WIRE IDENTIFICATION CHART		
CODE/COLOR	FROM:	TO:
LLU 10 YEL	CONTROL MODULE (LEFT FRONT SLIDE)	LT FRT SLIDE RR RAM (MOTOR DRIVE LINE)
LLV 10 YEL	CONTROL MODULE (REAR SLIDE)	REAR SLIDEOUT RAM (MOTOR DRIVE LINE)
LLW 10 YEL	CONTROL MODULE (LEFT FRONT SLIDE)	LT FRT SLIDE RR RAM (MOTOR DRIVE LINE)
LLX 10 YEL	CONTROL MODULE (REAR SLIDE)	REAR SLIDEOUT RAM (MOTOR DRIVE LINE)
LLY 16 WHT	CONTROL MODULE (REAR SLIDE)(GROUND)	SLIDEOUT SWITCH (REAR SLIDEOUT)
LLZ 16 YEL	CONTROL MODULE (REAR SLIDE)(RETRACT)	SLIDEOUT SWITCH (REAR SLIDEOUT)
MMA 16 YEL	CONTROL MODULE (REAR SLIDE)(STOP)	SLIDEOUT SWITCH (REAR SLIDEOUT)
MMB 16 YEL	CONTROL MODULE (REAR SLIDE)(GREEN LED)	SLIDEOUT SWITCH (REAR SLIDEOUT)
MMC 16 YEL	CONTROL MODULE (REAR SLIDE)(EXTEND)	SLIDEOUT SWITCH (REAR SLIDEOUT)
MMD 16 YEL	CONTROL MODULE (REAR SLIDE)(RED LED)	SLIDEOUT SWITCH (REAR SLIDEOUT)
MME 10 YEL	CHASSIS SIDE OF SOLENOID (FRT LT/REAR SLIDE RAMS)	BREAKER PANEL BUSS BAR (FRT LT/REAR SLIDE RAMS)
MMF 10 YEL	CHASSIS SIDE OF SOLENOID (FRT RT SLIDE RAMS)	BREAKER PANEL BUSS BAR (FRT RT SLIDE RAMS)
MMG 10 YEL	CHASSIS SIDE OF SOLENOID (REAR SLIDE RAM)	BREAKER PANEL (REAR SLIDE RAM)
MMH 16 YEL	OVERCURRENT PROTECTION (6 AMP BREAKER TYPICAL)	POWER SUNVISOR SWITCH
MMJ 16 WHT	GROUND	POWER SUNVISOR SWITCH
MMK 16 YEL	BEDROOM STEREO (LEFT SPEAKER REF)	CROSS OVER BOX (POSITIVE)
MML 16 WHT	BEDROOM STEREO (LEFT SPEAKER REF)	CROSS OVER BOX (NEGATIVE)
MMM 16 YEL	BEDROOM STEREO (RIGHT SPEAKER REF)	CROSS OVER BOX (POSITIVE)
MMN 16 WHT	BEDROOM STEREO (RT/WOOFER SPKER REF)	CROSS OVER BOX (NEGATIVE)

WIRE IDENTIFICATION CHART		
CODE/COLOR	FROM:	TO:
MMP 16 YEL	CROSS OVER COIL (POSITIVE)	SUBWOOFER (BEDROOM)
MMR 14 YEL	CHASSIS TOW MARKER LAMPS CIRCUIT	TRAILER CONNECTOR (TAIL/MARKER LAMPS)
MMS 12 YEL	+12V	PASSENGER AC/HEATER CONTROLS
MMT 12 YEL	PASSENGER FAN SWITCH (LOW SPEED)	PASSENGER FAN
MMU 12 YEL	PASSENGER FAN SWITCH (MED SPEED)	PASSENGER FAN
MMV 12 YEL	PASSENGER FAN SWITCH (HIGH SPEED)	PASSENGER FAN
MMW 16 YEL	+12V	PASSENGER CONTROL PANEL LAMPS
MMX 16 WHT	PASSENGER CONTROL PANEL LAMPS	GROUND
MMY 16 WHT	PASSENGER TEMP AND VENT CONTROL	GROUND
MMZ 12 YEL	SLIDEOUT ROOM CONTROL SWITCH (RAM #1)	SLIDEOUT DRIVE MOTOR LEAD #1
NNA 12 YEL	SLIDEOUT ROOM CONTROL SWITCH (RAM #1)	SLIDEOUT DRIVE MOTOR LEAD #2
NNB 16 YEL	CONTROL MODULE (FRONT SLIDE) (SIGNAL)	FRONT SLIDE FRONT RAM (ENCODER)
NNC 16 YEL	CONTROL MODULE (FRONT SLIDE) (+)	FRONT SLIDE FRONT RAM (ENCODER)
NND 16 WHT	CONTROL MODULE (FRONT SLIDE) (-)	FRONT SLIDE FRONT RAM (ENCODER)
NNE 16 YEL	CONTROL MODULE (FRONT SLIDE) (SIGNAL)	FRONT SLIDE REAR RAM (ENCODER)
NNF 16 YEL	CONTROL MODULE (FRONT SLIDE) (+)	FRONT SLIDE REAR RAM (ENCODER)
NNG 16 WHT	CONTROL MODULE (FRONT SLIDE) (-)	FRONT SLIDE REAR RAM (ENCODER)
NNH 12 YEL	CONTROL MODULE (RAM #2)	SLIDEOUT ACTURATOR DRIVE LEAD #1
NNJ 12 YEL	CONTROL MODULE (RAM #2)	SLIDEOUT ACTURATOR DRIVE LEAD #2

WIRE IDENTIFICATION CHART		
CODE/COLOR	FROM:	TO:
NNK 16 YEL	KEYLESS ENTRY TOUCH PAD SIGNAL	ENTRANCE DOOR TOUCH PAD
NNL 16 YEL	PASSENGER TEMP CONTROL (CONTROL OUT)	PASSENGER AC/HEATER
NNM 16 YEL	PASSENGER VENT CONTROL (CONTROL OUT)	PASSENGER VENT
NNN 16 YEL	CONTROL MODULE (RIGHT FRONT SLIDE) (STOP)	SLIDEOUT SWITCH (RIGHT FRONT SLIDE)
NNP 16 YEL	CONTROL MODULE (RIGHT FRONT SLIDE) (GREEN LED)	SLIDEOUT SWITCH (RIGHT FRONT SLIDE)
NNR 16 YEL	CONTROL MODULE (RIGHT FRONT SLIDE) (RED LED)	SLIDEOUT SWITCH (RIGHT FRONT SLIDE)
NNS 16 WHT	CONTROL MODULE (RIGHT FRONT SLIDE) (GROUND)	SLIDEOUT SWITCH (RIGHT FRONT SLIDEOUT)
NNT 16 YEL	CONTROL MODULE (RIGHT FRONT SLIDE) (SIGNAL)	RIGHT FRONT SLIDE, FRONT RAM (ENCODER)
NNU 16 YEL	CONTROL MODULE (RIGHT FRONT SLIDE) (+)	RIGHT FRONT SLIDE, FRONT RAM (ENCODER)
NNV 16 WHT	CONTROL MODULE (RIGHT FRONT SLIDE) (-)	RIGHT FRONT SLIDE, FRONT RAM (ENCODER)
NNW 16 YEL	CONTROL MODULE (RIGHT FRONT SLIDE) (SIGNAL)	RIGHT FRONT SLIDE, REAR RAM (ENCODER)
NNX 16 YEL	CONTROL MODULE (RIGHT FRONT SLIDE) (+)	RIGHT FRONT SLIDE, REAR RAM (ENCODER)
NNY 16 WHT	CONTROL MODULE (RIGHT FRONT SLIDE) (-)	RIGHT FRONT SLIDE, REAR RAM (ENCODER)
NNZ 10 YEL	CHASSIS BREAKER PANEL (RH FRT SLIDE) (FRT RAM)	CONTROL MODULE (RIGHT FRONT SLIDE)
PPA 10 WHT	CHASSIS GROUND BAR (RH FRT SLIDE) (FRT RAM)	CONTROL MODULE (RIGHT FRONT SLIDE)
PPB 10 YEL	CHASSIS BREAKER PANEL (RH FRT SLIDE) (REAR RAM)	CONTROL MODULE (RIGHT FRONT SLIDE)
PPC 10 WHT	CHASSIS GROUND BAR (RH FRT SLIDE) (REAR RAM)	CONTROL MODULE (RIGHT FRONT SLIDE)
PPD 10 YEL	CONTROL MODULE (RIGHT FRONT SLIDE)	RH FRT SLIDE FRT RAM (MOTOR DRIVE LINE)
PPE 10 YEL	CONTROL MODULE (RIGHT FRONT SLIDE)	RH FRT SLIDE FRT RAM (MOTOR DRIVE LINE)

WIRE IDENTIFICATION CHART		
CODE/COLOR	FROM:	TO:
PPF 10 YEL	CONTROL MODULE (RIGHT FRONT SLIDE)	RH FRT SLIDE RR RAM (MOTOR DRIVE LINE)
PPG 10 YEL	CONTROL MODULE (RIGHT FRONT SLIDE)	RH FRT SLIDE RR RAM (MOTOR DRIVE LINE)
PPH 14 YEL	CHASSIS CLEARANCE LAMPS CRT #2 (REF MM)	CLEARANCE/MARKER LAMPS
PPJ 14 YEL	PASSENGER SUNVISOR SWITCH DRIVER'S SIDE	PASSENGER SUNVISOR SWITCH PASSENGER'S SIDE
PPK 14 YEL	PASSENGER SUNVISOR SWITCH DRIVER'S SIDE	PASSENGER SUNVISOR SWITCH PASSENGER'S SIDE
PPL 14 YEL	DASH RADIO ACCESSORY POWER	TV/RADIO SPEAKER SELECTOR SWITCH
PPM 12 YEL	OVERCURRENT PROTECTION (15A BREAKER TYPICAL)	LEFT FRONT SLIDEOUT LOCK SWITCH
PPN 12 WHT	LEFT FRONT SLIDEOUT LOCK SWITCH (REF PPM)	GROUND
PPP 12 YEL	OVERCURRENT PROTECTION (15A BREAKER TYPICAL)	RIGHT FRONT SLIDEOUT LOCK SWITCH
PPR 12 WHT	RIGHT FRONT SLIDEOUT LOCK SWITCH (REF PPP)	GROUND
PPS 12 YEL	LEFT FRONT SLIDEOUT LOCK SWITCH	LEFT FRONT SLIDEOUT LOCK MOTOR
PPT 12 YEL	LEFT FRONT SLIDEOUT LOCK SWITCH	LEFT FRONT SLIDEOUT LOCK MOTOR
PPU 12 YEL	RIGHT FRONT SLIDEOUT LOCK SWITCH	RIGHT FRONT SLIDEOUT LOCK MOTOR
PPV 12 YEL	RIGHT FRONT SLIDEOUT LOCK SWITCH	RIGHT FRONT SLIDEOUT LOCK MOTOR
PPW 14 YEL	SLIDEOUT LOCK SWITCH W/SLIDEOUT SWITCH #1 IN DASH	SLIDEOUT ROOM #1 SWITCH (POSITIVE)
PPX 14 YEL	SLIDEOUT LOCK SWITCH W/SLIDEOUT SWITCH #3 IN DASH	SLIDEOUT ROOM #3 SWITCH (POSITIVE)
PPY 14 YEL	SLIDEOUT LOCK SWITCH W/SLIDEOUT SWITCH #4 IN DASH	SLIDEOUT ROOM #4 SWITCH (POSITIVE)
PPZ 12 YEL	CHASSIS SUPPLIED WIRING	TRAILER TOW BATTERY FEED (7 WAY TOW CONNECTOR)
RRA 14 YEL	GENERAL SWITCH	GENERAL LAMP

WIRE IDENTIFICATION CHART		
CODE/COLOR	FROM:	TO:
RRB 14 YEL	GENERAL SWITCH	GENERAL LAMP
RRC 14 YEL	GENERAL SWITCH	GENERAL LAMP
RRD 14 YEL	GALLEY CEILING FAN SWITCH	GALLEY CEILING FAN
RRE 14 YEL	10 OHM RESISTOR	LOUNGE CEILING FAN (LOW SPEED)
RRF 14 YEL	BEDROOM READING LAMP SWITCH	BEDROOM READING LAMP
RRG 14 YEL	BEDROOM READING LAMP SWITCH #1 (2 SWITCH SYSTEM)	BEDROOM READING LAMP SWITCH #2 (2 SWITCH SYSTEM)
RRH 14 YEL	BEDROOM READING LAMP SWITCH #1 (2 SWITCH SYSTEM)	BEDROOM READING LAMP SWITCH #2 (2 SWITCH SYSTEM)
RRJ 12 WHT	SEVEN PIN CONNECTOR (TRAILER CONNECTOR)	GROUND
RRK 16 YEL	2ND GALLEY HOLDING TANK	SELECTOR SWITCH
RRL 16 YEL	HOLDING TANK SELECTOR SWITCH	MONITOR PANEL
RRM 14 YEL	CENTER POWER SUNVISOR SWITCH	CENTER SUNVISOR
RRN 14 YEL	CENTER POWER SUNVISOR SWITCH	CENTER SUNVISOR
RRP 16 YEL	THERMOSTAT (LOW STAGE)	FURNACE (LOW STAGE)
RRR 16 YEL	THERMOSTAT (HIGH STAGE)	FURNACE (HIGH STAGE)
RRS 16 YEL	SLIDEOUT LOCK SWITCH (#1)	SLIDEOUT LOCK SWITCH (#2)
RRT 16 YEL	AWNING CONTROL BOX (LOCATED IN HOUSING PIN 1)	DOOR AWNING LIMIT SWITCH (LOCATED IN HOUSING PIN 1)
RRU 16 WHT	AWNING CONTROL BOX (LOCATED IN HOUSING PIN 2)	DOOR AWNING LIMIT SWITCH (LOCATED IN HOUSING PIN 2)
RRV 14 YEL	VIDEO CAMERA SWITCHER	MONITOR
RRW 14 YEL	LOCKOUT POSITIONING SWITCH	FIREPLACE LOCKOUT RECP

WIRE IDENTIFICATION CHART		
CODE/COLOR	FROM:	TO:
RRX 10 YEL	12V BREAKER PANEL (30 AMP TYPICAL)	SMART FUSE BLOCK (POSITIVE)
RRY 18 YEL	SMART FUSE BLOCK (COMMUNICATION BUS)	SMART FUSE SWITCH PANEL
RRZ 18 WHT	SMART FUSE BLOCK (COMMUNICATION GROUND)	SMART FUSE SWITCH PANEL
SSA 14 WHT	FRONT LEFT SLIDE LOCK (INDICATOR OUTPUT-GROUND)	FRONT LEFT LOCK SWITCH LED
SSB 14 WHT	FRONT RIGHT SLIDE LOCK (INDICATOR OUTPUT-GROUND)	FRONT RIGHT LOCK SWITCH LED
SSC 14 YEL	JACK CONTROL PANEL (LEVEL)	REMOTE AUTO LEVEL SWITCH
SSD 14 YEL	JACK CONTROL PANEL (STORE)	REMOTE AUTO LEVEL SWITCH
SSE 14 YEL	JACK CONTROL PANEL (COMMON)	REMOTE AUTO LEVEL SWITCH (+)HWH (-)KWIKEE
SSF 14 YEL	JACK CONTROL PANEL (INDICATOR LED)	REMOTE AUTO LEVEL SWITCH (-)HWH (+)KWIKEE
SSG 18 YEL	TRANSFORMER	AUTO GENERATOR START MONITOR PANEL
SSH 18 WHT	TRANSFORMER	AUTO GENERATOR START MONITOR PANEL
SSJ 10 YEL	BRAKE CONTROLLER POWER (30-AMP BREAKER TYPICAL)	BRAKE CONTROLLER (POWER INPUT)
SSK 14 WHT	BRAKE CONTROLLER (GROUND)	GROUND
SSL 14 YEL	CHASSIS REAR LAMP WIRING (LEFT TURN ONLY)	LEFT TURN SIGNAL *NOT COMBO TURN/BRAKE*
SSM 14 YEL	CHASSIS REAR LAMP WIRING (RIGHT TURN ONLY)	RIGHT TURN SIGNAL *NOT COMBO TURN/BRAKE*
SSN 18 WHT	FRONT RIGHT SLIDEOUT LOCK END SWITCH (FROM NNS)	CONTROL MODULE (RIGHT FRONT SLIDE)(GROUND)
SSP 18 WHT	LEFT FRONT SLIDEOUT LOCK END SWITCH (FROM DS)	CONTROL MODULE (LEFT FRONT SLIDE)(GROUND)
SSR 16 YEL	EXTERIOR HOLDING TANK SELECTOR SWITCH	EXTERIOR MONITOR PANEL
SSS 16 YEL	EXTERIOR HOLDING TANK SELECTOR SWITCH	2ND GALLEY HOLDING TANK

WIRE IDENTIFICATION CHART		
CODE/COLOR	FROM:	TO:
SST 14 YEL	GALLEY LAMP SWITCH #1	GALLEY LAMP SWITCH #2
SSU 14 YEL	GALLEY LAMP SWITCH #1	GALLEY LAMP SWITCH #2
SSV 14 YEL	BATH CEILING LAMP SWITCH #1 (2 SWITCH SYSTEM)	BATH CEILING LAMP SWITCH #2 (2 SWITCH SYSTEM)
SSW 14 YEL	BATH CEILING LAMP SWITCH #1 (2 SWITCH SYSTEM)	BATH CEILING LAMP SWITCH #2 (2 SWITCH SYSTEM)
SSX 12 YEL	DOOR AWNING SWITCH	DOOR AWNING CONTROL RELAY (RELAY POSITION 87A EXTEND)
SSY 12 WHT	DOOR AWNING SWITCH	DOOR AWNING LIMIT SWITCH
SSZ 14 YEL	LOUNGE CEILING ROPE LAMP SWITCH (CIRCUIT #2)	LOUNGE CEILING ROPE LAMP (REF CIRCUIT KKP)
TTA 14 YEL	LEVELING SYSTEM CONTROLS	INDICATOR LAMP/ALARM (POSITIVE)
TTB 14 WHT	LEVELING SYSTEM CONTROLS	INDICATOR LAMP/ALARM (NEGATIVE)
TTC 10 YEL	CHASSIS BATTERY	SLIDEOUT LOCK BREAKER
TTD 14 YEL	VEHICLE LEFT HEADLAMP HI BEAM CIRCUIT	LEFT HI BEAM LAMP
TTE 14 YEL	RELAY	RIGHT DOCKING LAMP
TTF 14 YEL	RELAY	LEFT DOCKING LAMP
TTG 18 YEL	FRONT THERMOSTAT (MAIN)	REMOTE SENSOR
TTH 18 YEL	FRONT THERMOSTAT (MAIN)	REMOTE SENSOR
TTJ 14 YEL	BRAKE LAMP CIRCUIT BREAKER	BRAKE LAMP RELAY
TTK 14 YEL	RIGHT TURNLAMP CIRCUIT BREAKER	RIGHT TURN LAMP RELAY
TTL 14 YEL	LEFT TURN LAMP CIRCUIT BREAKER	LEFT TURN LAMP RELAY
TTM 14 YEL	BACKUP LAMP CIRCUIT BREAKER	BACKUP LAMP RELAY

WIRE IDENTIFICATION CHART

CODE/COLOR	FROM:	TO:
TTN 14 YEL	PARK LAMP CIRCUIT BREAKER	PARK LAMP RELAY
TTP 12 YEL	AWNING CONTROL BOX	PATIO AWNING #2 (MOTOR POSITIVE)
TTR 12 WHT	AWNING CONTROL BOX	PATIO AWNING #2 (MOTOR GROUND)
TTS 16 YEL	AWNING CONTROL BOX	PATIO AWNING #2 (SWITCH EXTEND)
TTT 16 YEL	AWNING CONTROL BOX	PATIO AWNING #2 (SWITCH COMMON)
TTU 16 YEL	AWNING CONTROL BOX	PATIO AWNING #2 (SWITCH RETRACT)
TTV 16 YEL	AWNING CONTROL BOX	WIND SENSOR #2 (POSITIVE)
TTW 16 YEL	AWNING CONTROL BOX	WIND SENSOR #2 (NEGATIVE)
TTX 16 YEL	AWNING CONTROL BOX	WIND SENSOR #2 (SPEED OUTPUT)
TTY 18 YEL	CHASSIS BATT DISCONNECT RELAY (TERMINAL I)	CHASSIS BATT DISCONNECT SWITCH
TTZ 18 YEL	CHASSIS BATT DISCONNECT RELAY (TERMINAL S)	CHASSIS BATT DISCONNECT SWITCH
UUA 18 YEL	CHASSIS BATT DISCONNECT RELAY LOAD SIDE FUSE FEED	CHASSIS BATT DISCONNECT SWITCH INDICATOR LAMP
UUB 18 YEL	CHASSIS BATT DISCONNECT RELAY BATTERY SIDE FUSE FEED	CHASSIS BATT DISCONNECT SWITCH
UUC 18 WHT	CHASSIS BATT DISCONNECT SWITCH	GROUND
UUD 12 YEL	RIGHT REAR SLIDEOUT LOCK SWITCH	RIGHT REAR SLIDEOUT LOCK MOTOR
UUE 12 YEL	RIGHT REAR SLIDEOUT LOCK SWITCH	RIGHT REAR SLIDEOUT LOCK MOTOR