



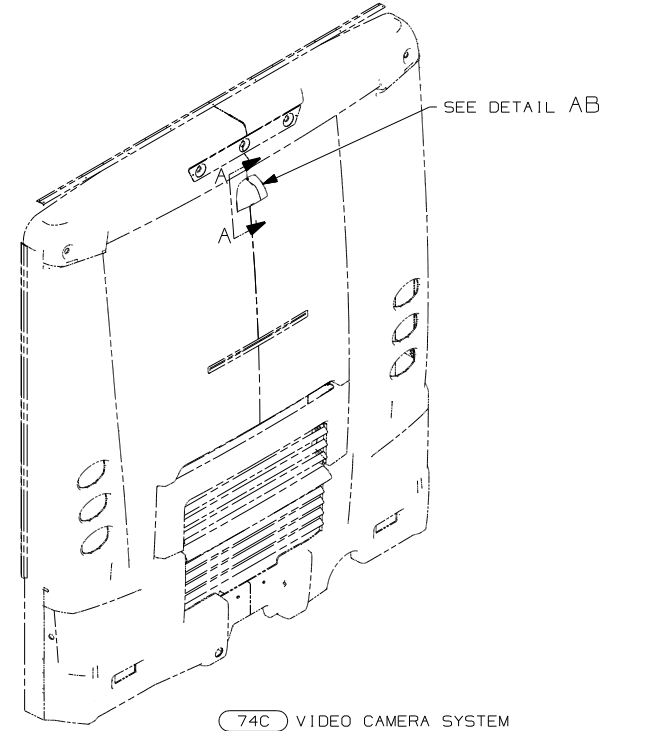
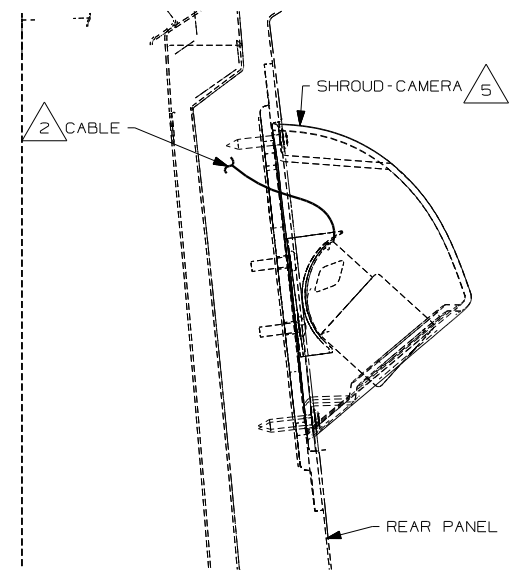
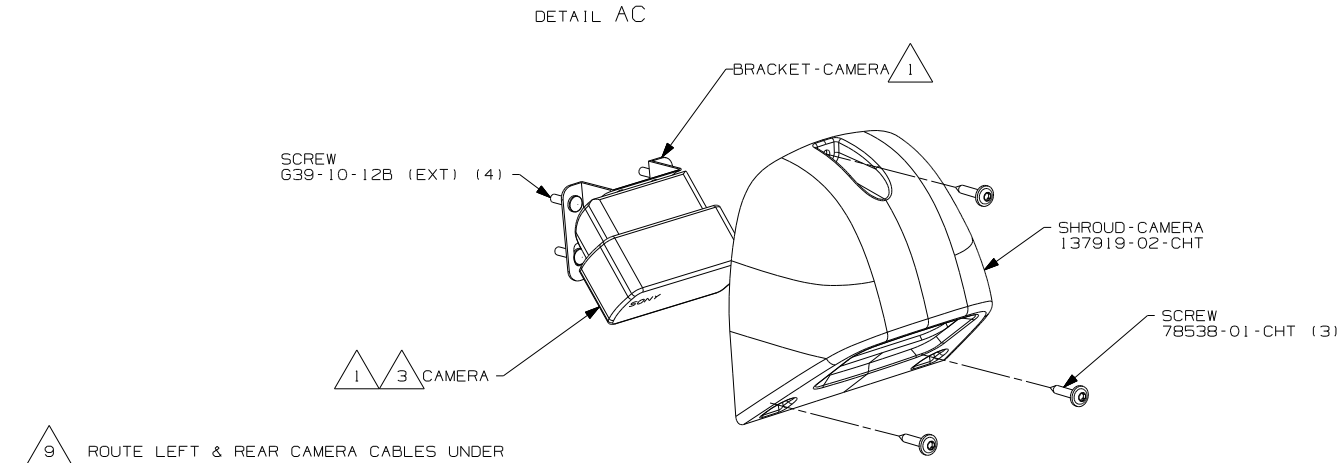
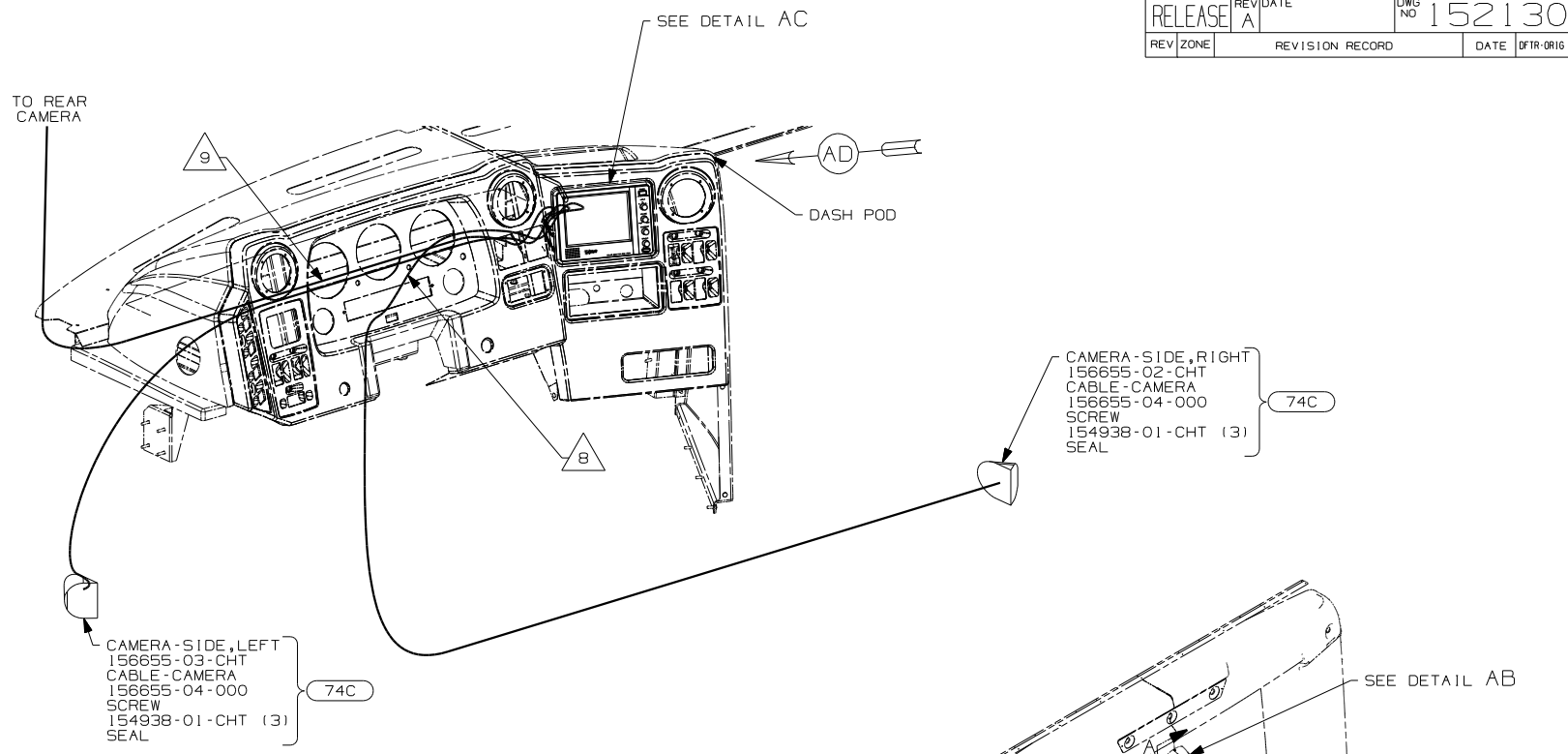
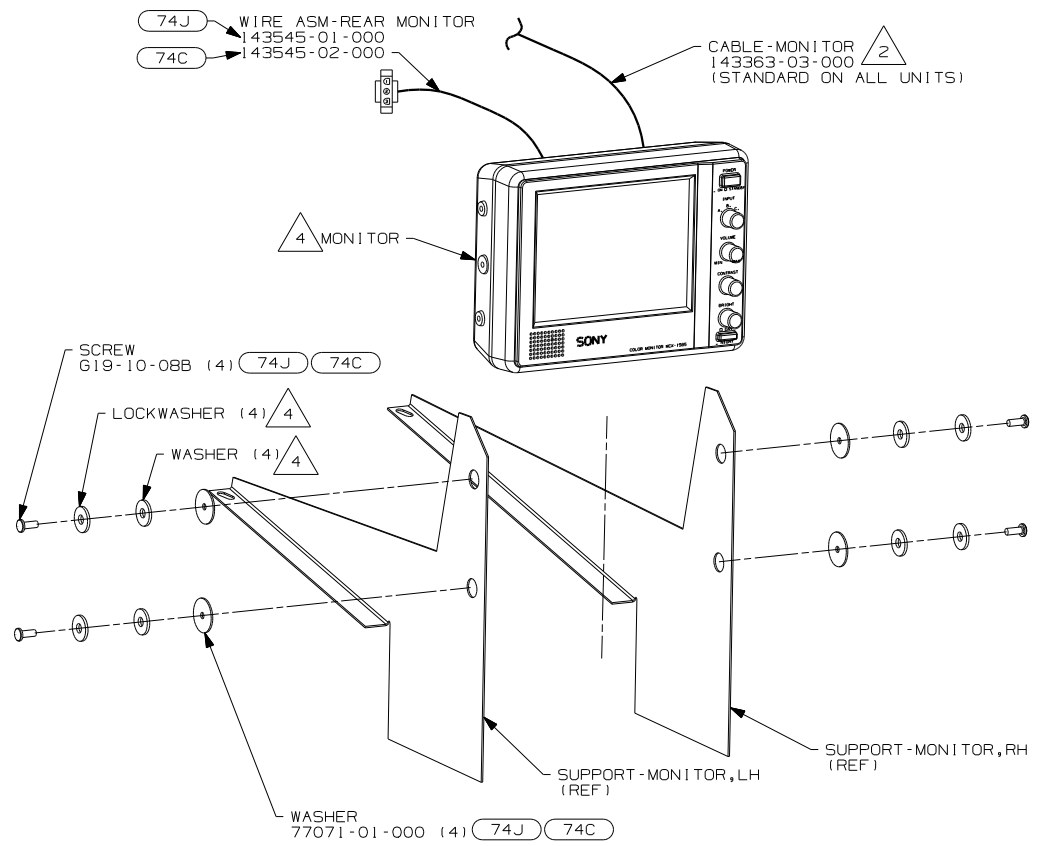
**DANGER**

**Danger of electrical shock, burns or death.** Always remove all power sources before attempting any repair, service or diagnostic work. Power can be present from shore power, generator, inverter or battery. All power sources must be disabled and secured before performing any service.

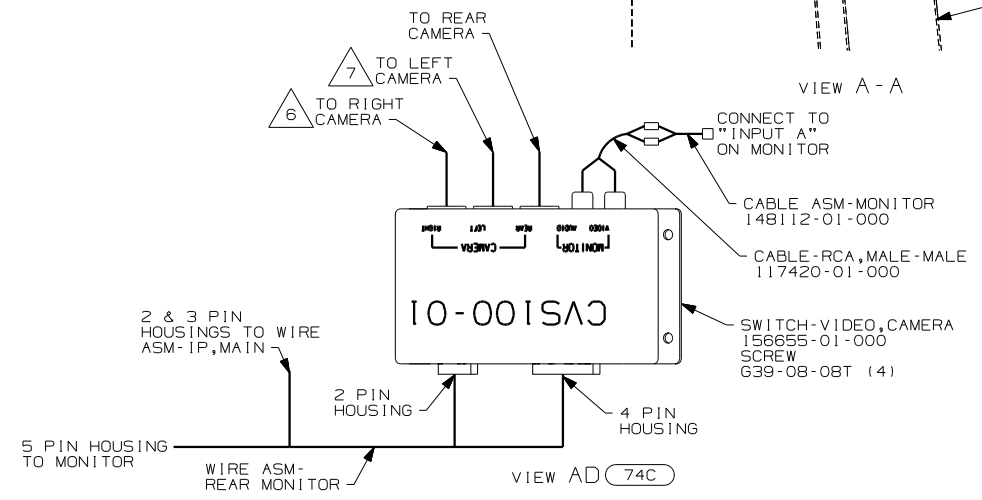


**CAUTION**

If you lack the skills, tools or equipment to perform diagnostic or repair work leave such work to an authorized Winnebago Industries dealer or other qualified shop.



- NOTES:
- 9 ROUTE LEFT & REAR CAMERA CABLES UNDER DASH & TIE TO WIRE ASM-IP,MAIN.
  - 8 ROUTE CABLE TO EXTERIOR THRU HOLE IN PANEL ALONG WITH HEATER WIRING TO RIGHT CAMERA.
  - 7 MARK LEFT CAMERA WITH YELLOW TAPE 900000-07-000 NEXT TO CONNECTOR.
  - 6 MARK RIGHT CABLE WITH WHITE TAPE 900000-08-000 NEXT TO CONNECTOR.
  - 5 SEE PANEL-REAR CAP FOR LOCATION.
  - 4 PARTS SUPPLIED WITH MONITOR P/N: 143363-01-000.
  - 3 ALIGN CAMERA IN CENTER OF SHROUD OPENING AND ADJUST SO BACKWALL IS JUST VISABLE.
  - 2 RUN CABLE THRU LEFT HAND COVE TO FRONT OF UNIT AND DOWN LEFT A-PILLAR TO MONITOR. CONNECT TO "INPUT A" ON MONITOR.
  - 1 PARTS SUPPLIED WITH REAR CAMERA P/N: 143363-05-000.



74C VIDEO CAMERA SYSTEM  
 74J REARVIEW MONITOR SYSTEM

**WINNEBAGO** COPYRIGHT 2004 WINNEBAGO INDUSTRIES, INC.

DFTR	ORIG. DATE
CHKR	ALL DIMENSIONS ARE IN MILLIMETERS
P.E.	FIRST USED
M.E.	06 S-SERIES
DSNR	

UNSPECIFIED TOLERANCES ARE: MATERIAL:

WHOLE DIM (X) :  
 ONE-PLACE (X.X) :  
 TWO-PLACE (X.XX) :  
 ANGLE :  
 THIRD ANGLE PROJECTION :

DO NOT SCALE DRAWING

TITLE: MONITOR INSTL

SHEET 1 OF 1 PART NO 152130

REF: 1 6/28/2005