



**DANGER**

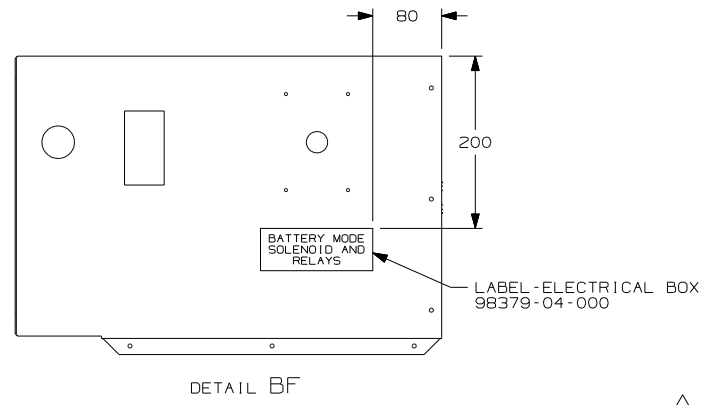
**Danger of electrical shock, burns or death.** Always remove all power sources before attempting any repair, service or diagnostic work. Power can be present from shore power, generator, inverter or battery. All power sources must be disabled and secured before performing any service.



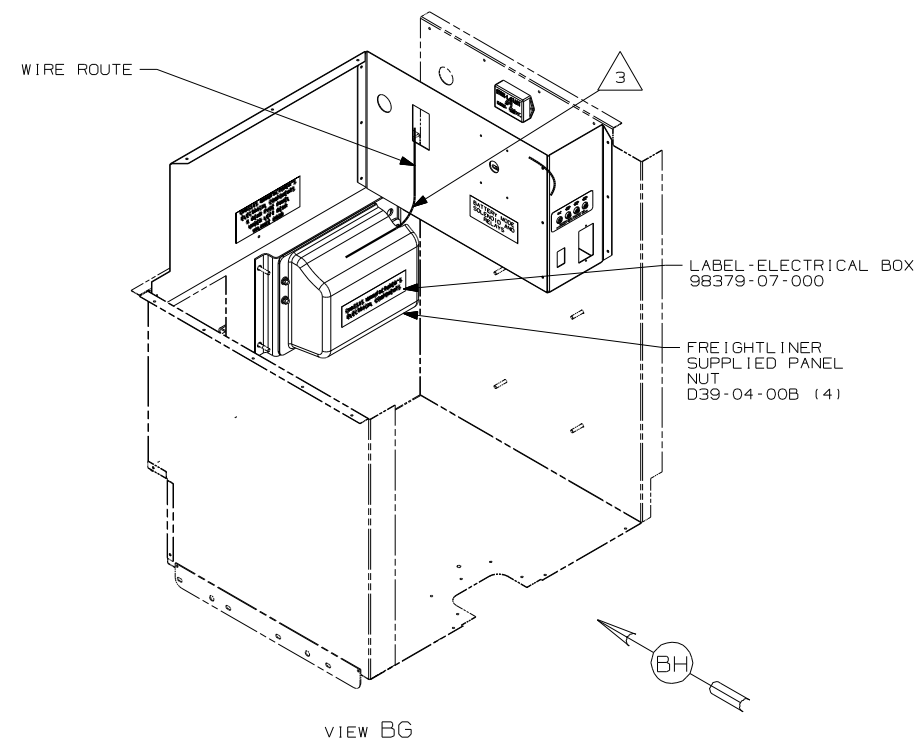
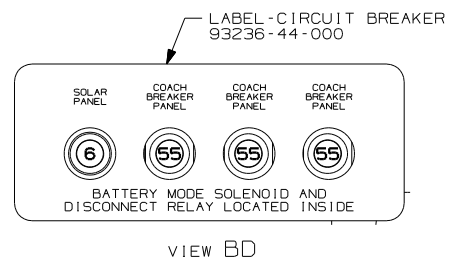
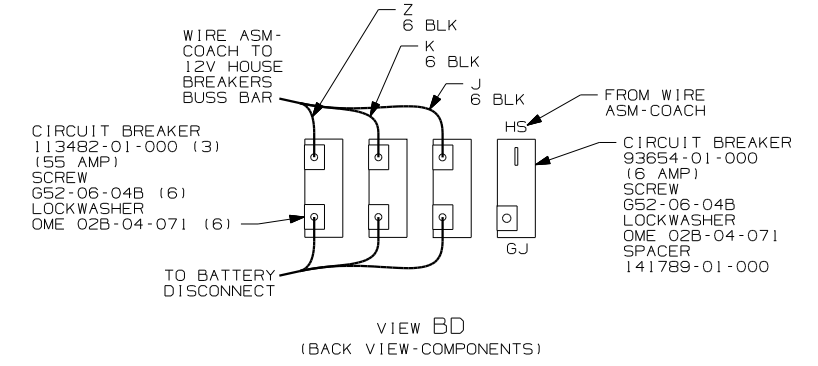
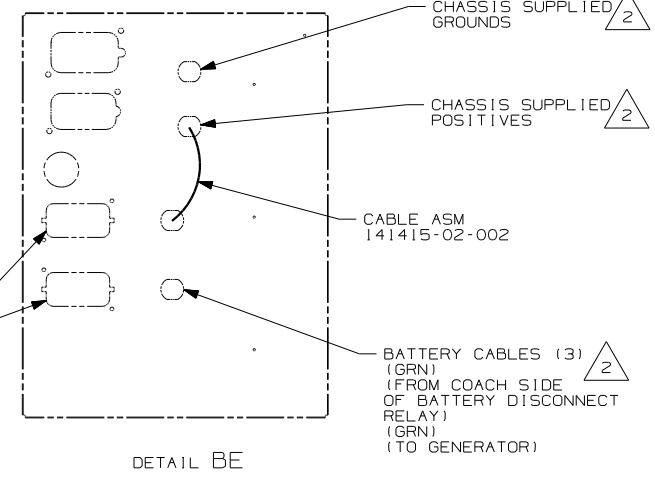
**CAUTION**

If you lack the skills, tools or equipment to perform diagnostic or repair work leave such work to an authorized Winnebago Industries dealer or other qualified shop.

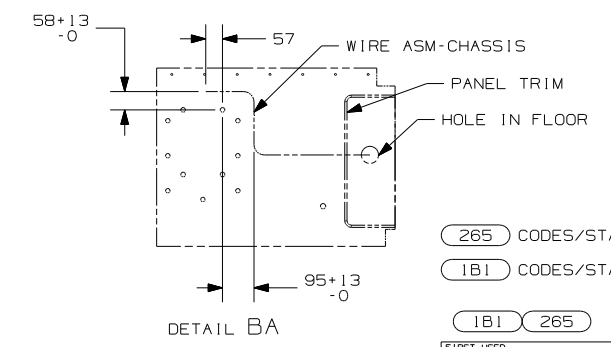
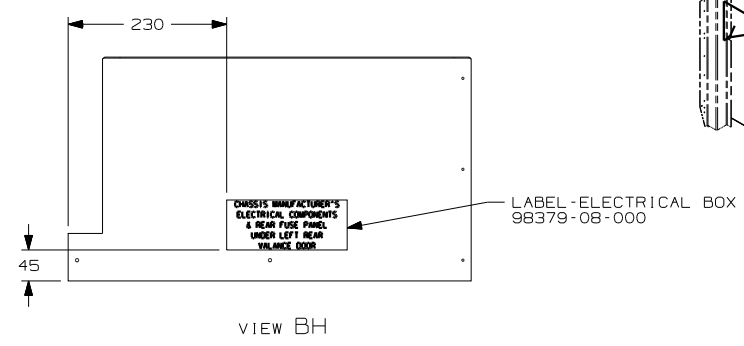
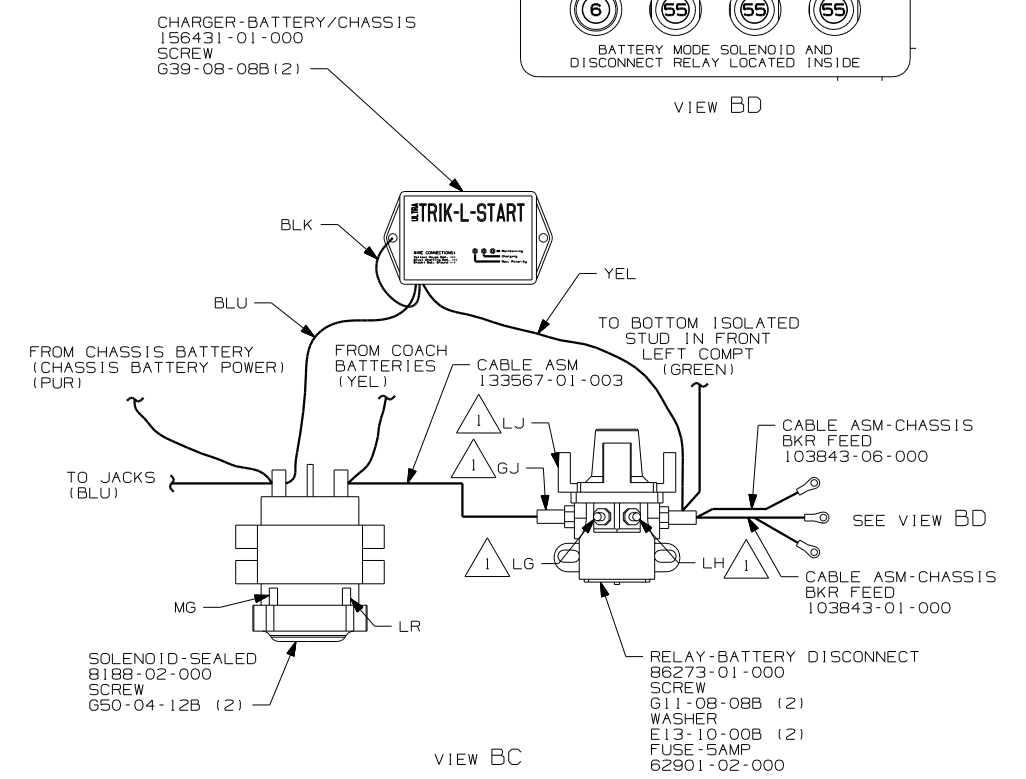
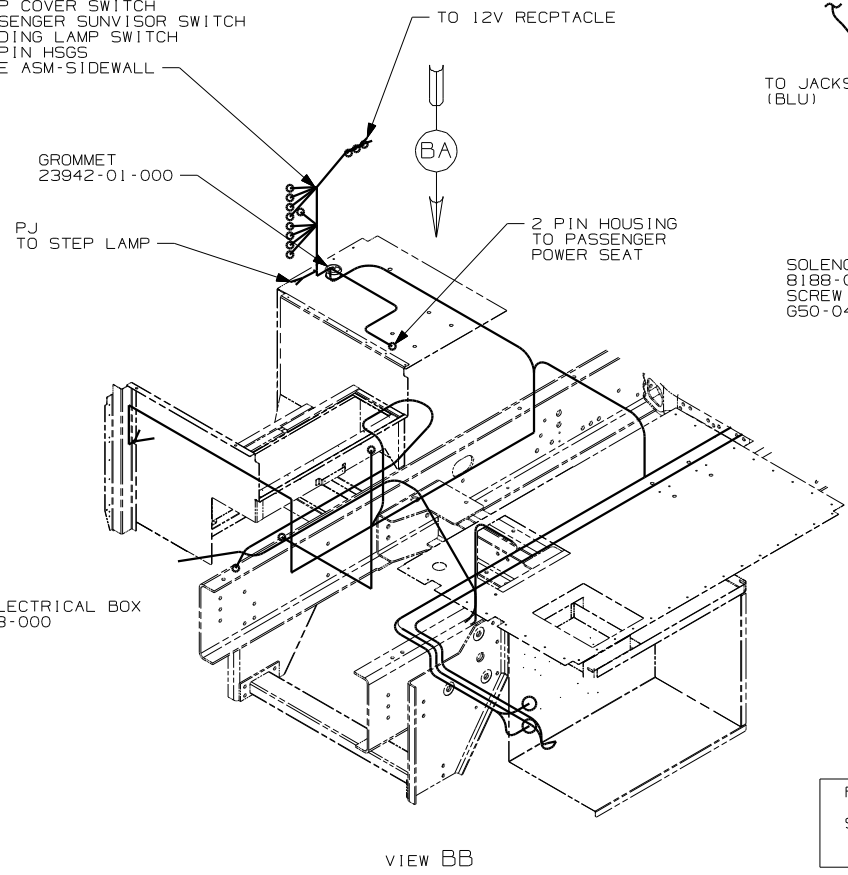




△ 2 30 PIN HOUSING (2)  
TO WIRE ASM-IP, MAIN



12 PIN HOUSING (11)  
TO AWNING SELECTOR SWITCH  
TO AWNING CONTROL SWITCH  
TO STEP SWITCH  
TO BATTERY DISCONNECT SWITCH  
TO COMPT DOOR LOCK SWITCH  
TO DOOR LOCK SWITCH  
TO PORCH LAMP SWITCH  
TO LOUNGE CEILING LAMP SWITCH  
TO STEP COVER SWITCH  
TO PASSENGER SUNVISOR SWITCH  
TO READING LAMP SWITCH  
3 & 9 PIN HSGS  
TO WIRE ASM-SIDEWALL



- NOTES:
- △ 3 BOX TO BE ORIENTED SO CHASSIS WIRING ROUTES OUT THE TOP RIGHT CORNER.
  - △ 2 SEE WIRING INSTL-FRONT END FOR ADDITIONAL INFORMATION.
  - △ 1 CIRCUITS BRANCH FROM WIRE ASM-CHASSIS.

FOR ELECTRICAL TORQUE SPECIFICATIONS SEE DWG NO. 128783-01-000

FOR ELECTRICAL CALLOUTS SEE DWG NO. 121339-01-000

265 CODES/STANDARDS-CSA/CMVSS  
1B1 CODES/STANDARDS USA  
1B1 265

FIRST USED	06 R40KD
TITLE	DO NOT SCALE DRAWING
TITLE	WIRING INSTL-CHASSIS
SHEET 2	PART NO 153048