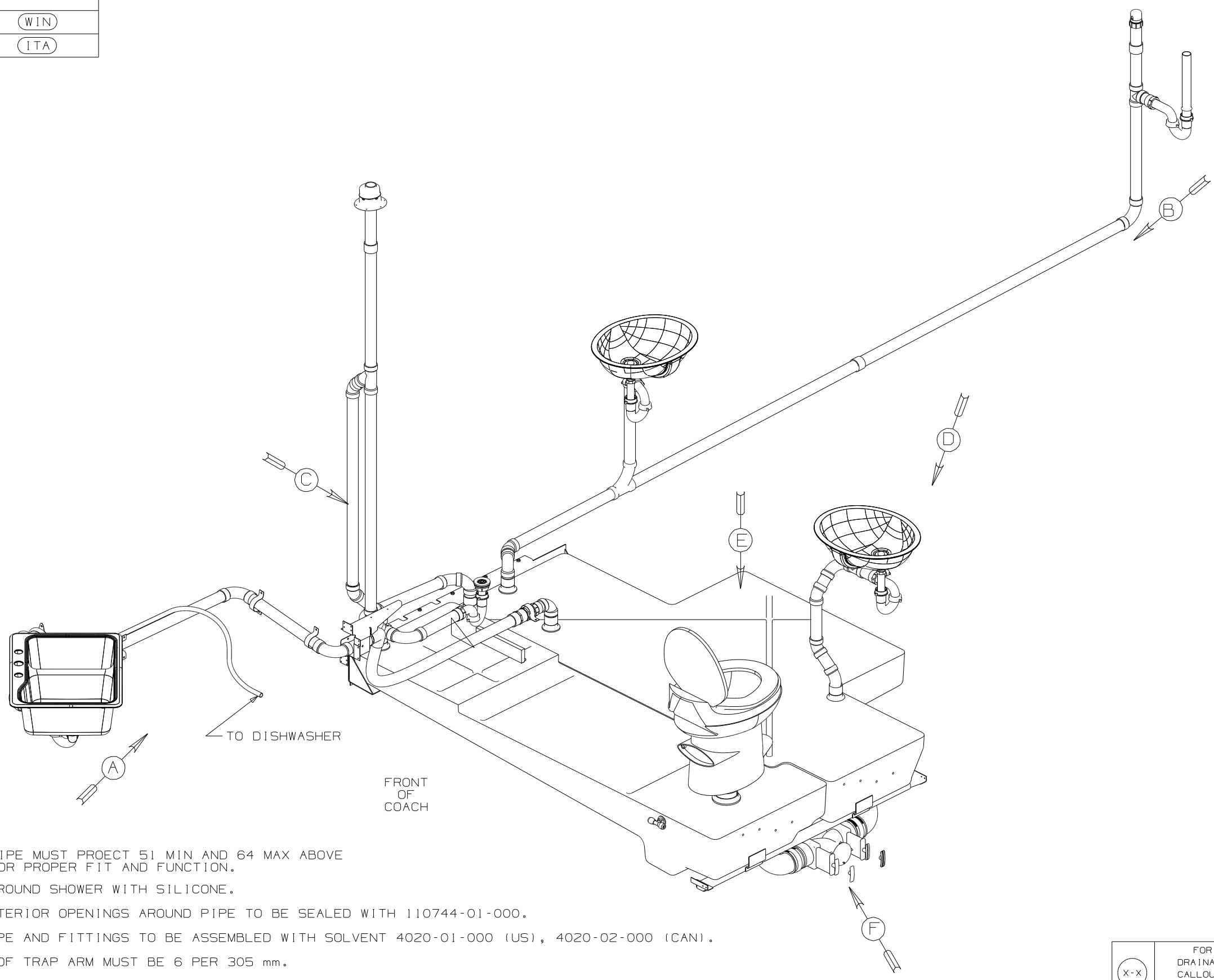


DWG NO	--
152328-01	(WIN)
152328-02	(ITA)

RELEASE	REV DATE	DWG NO
A		152328
REV ZONE	REVISION RECORD	DATE
		DFTR-016



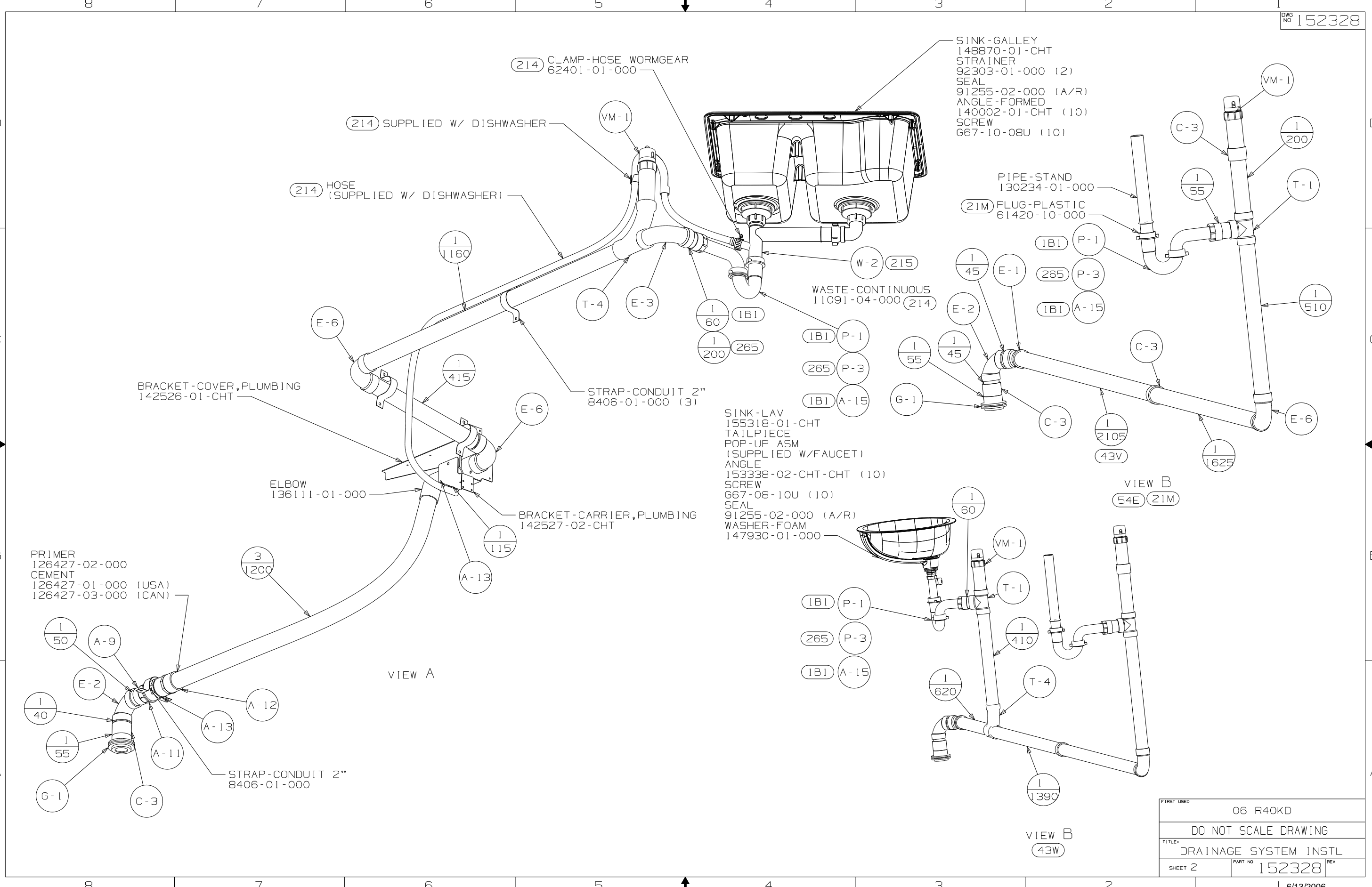
- (WIN) WINNEBAGO ONLY
- (ITA) ITASCA ONLY
- (IBI) CODES/STANDARDS USA
- (265) CODES/STDS-CSA, CMVSS
- (54E) WASHER DRYER
- (21M) WASHER/DRYER PREP
- (214) DISHWASHER/DRAWER STYLE
- (215) DISHWASHER WITHOUT
- (43W) CABINET-LAVATORY
- (43V) CABINET-CHEST OF DRAWERS
- (43Q) TOILET-PORCELAIN

- 6 VENT PIPE MUST PROECT 51 MIN AND 64 MAX ABOVE ROOF FOR PROPER FIT AND FUNCTION.
5. SEAL AROUND SHOWER WITH SILICONE.
  4. ALL EXTERIOR OPENINGS AROUND PIPE TO BE SEALED WITH 110744-01-000.
  3. ALL PIPE AND FITTINGS TO BE ASSEMBLED WITH SOLVENT 4020-01-000 (US), 4020-02-000 (CAN).
  2. SLOPE OF TRAP ARM MUST BE 6 PER 305 mm.
  1. SLOPE OF HORIZONTAL PIPING TO BE MIN 3 PER 305 mm.

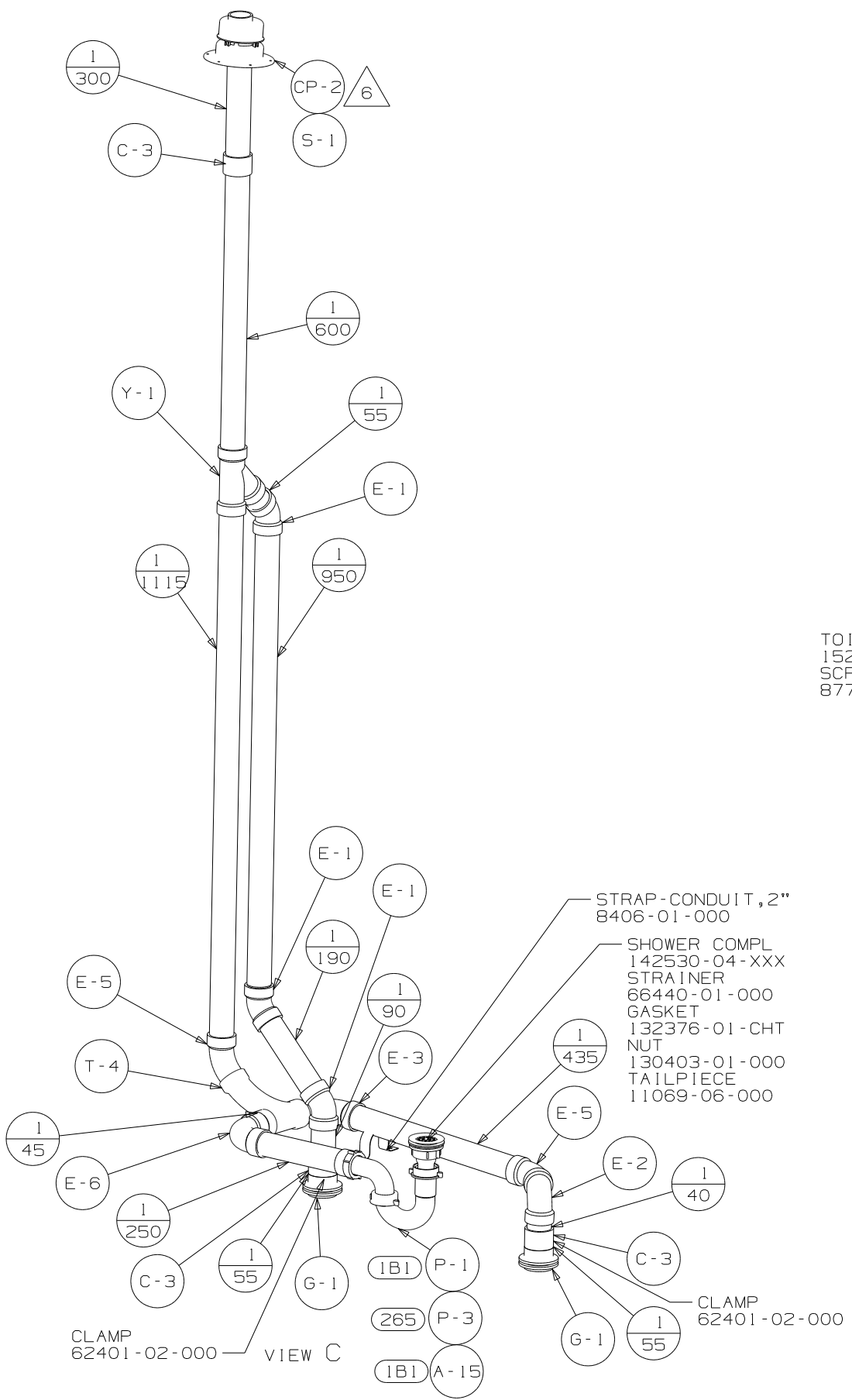
NOTES:

(X-X)  
FOR  
DRAINAGE  
CALLOUTS  
SEE DWG NO  
116229-01-000

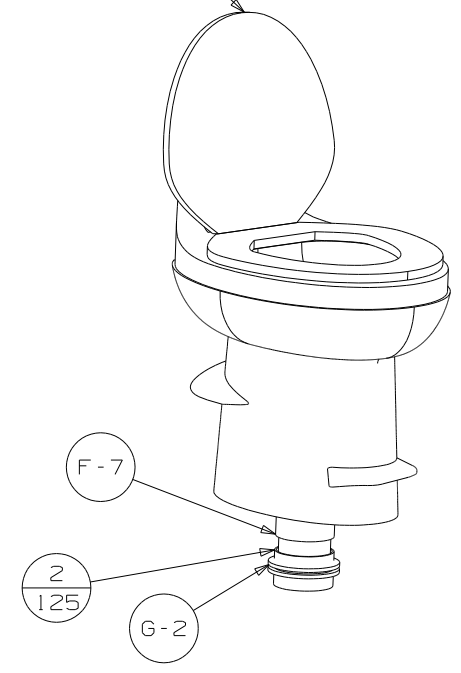
<b>WINNEBAGO</b>		COPYRIGHT 2006 WINNEBAGO INDUSTRIES, INC.	
DFTR	ORIG. DATE	ALL DIMENSIONS ARE IN MILLIMETERS	
CHKR		FIRST USED	
P.E.		06 R40KD	
M.E.		UNSPECIFIED TOLERANCES ARE:	
DSNR		MATERIAL:	
		WHOLE DIM (X)	: 3
		ONE-PLACE (X.X)	: 1.5
		TWO-PLACE (X.XX)	: 0.50
		ANGLE	: 1°
THIRD ANGLE PROJECTION			
DO NOT SCALE DRAWING			
TITLE: DRAINAGE SYSTEM INSTL			
SHEET 1 OF 4	PART NO	152328	REV
REF:	1 6/13/2006		



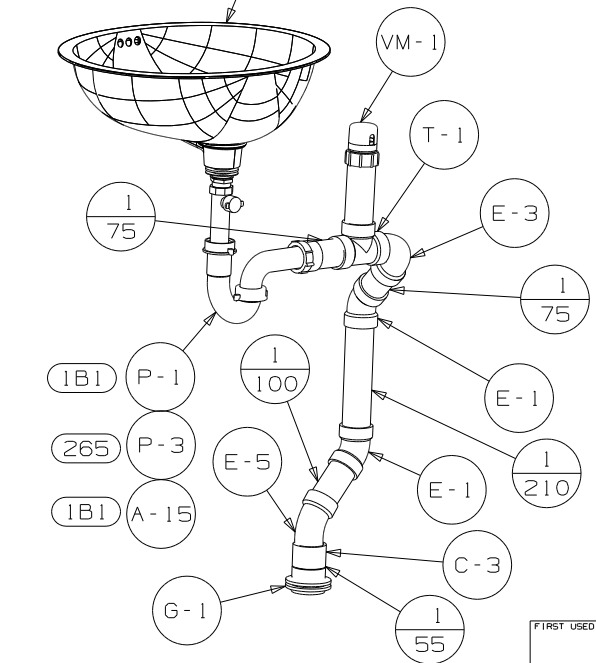
FIRST USED	06 R40KD	
TITLE	DO NOT SCALE DRAWING	
TITLE	DRAINAGE SYSTEM INSTL	
SHEET 2	PART NO	152328
	REV	



TOILET  
152830-01-CHT  
SCREW  
87721-01-000 (8)

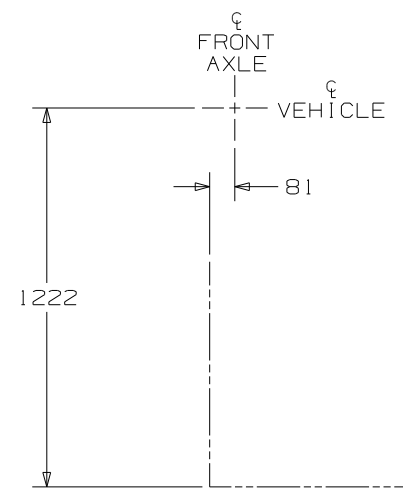


SINK-LAVATORY  
155318-01-CHT  
TAILPIECE  
(SUPPLIED W/ FAUCET)  
ANGLE  
153338-02-CHT (10)  
SCREW  
G67-08-10U (10)  
SEAL  
91255-02-000 (A/R)  
WASHER FOAM  
147930-01-000



VIEW D

FIRST USED	06 R40KD	
TITLE	DO NOT SCALE DRAWING	
	DRAINAGE SYSTEM INSTL	
SHEET 3	PART NO	152328
	REV	



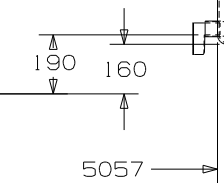
BRACKET  
152443-01-CHT  
BOLT  
C26-05-12B (6)

LUMBER  
52372-F0-276  
BRACE-SEAT  
79804-01-CHT  
SCREW  
G67-10-10B (8)

SUPPORT ASM-HOLDING TANK  
152487-02-CHT  
SCREW  
G39-10-20T (2)

PLATFORM  
126714-37-000

VIEW E



TANK-HOLDING  
152390-02-000

ELBOW-1/2P X 1/2 MPT  
114429-02-000

TANK-HOLDING  
152389-02-000

TEE-1/2 P X 1/2 P  
114428-03-000

BRACKET-DRAINAGE  
146080-01-CHT (2)

VALVE-SEWER HOSE  
144728-01-000  
CLAMP-HOSE  
62401-09-000

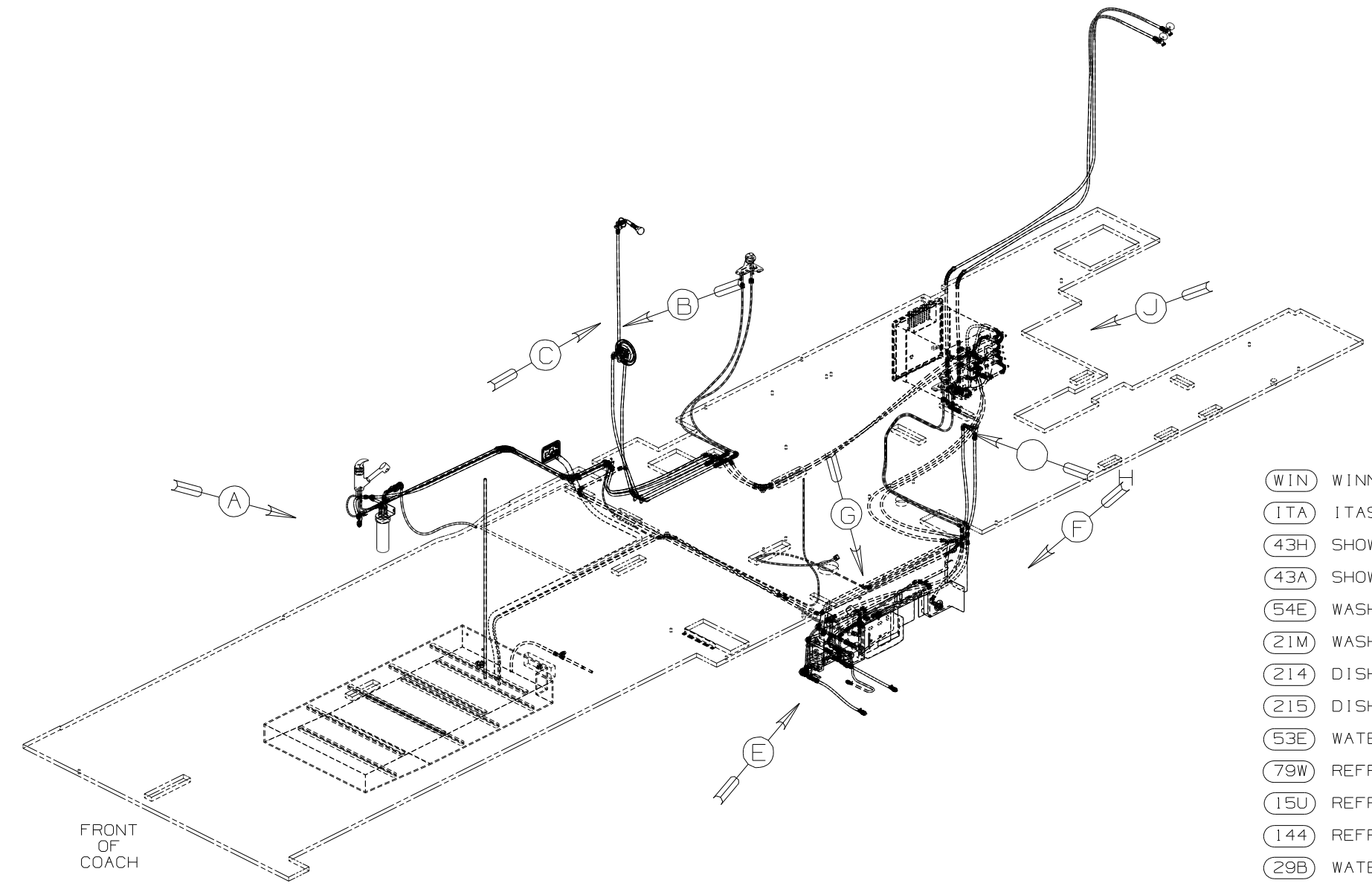
VIEW G

VIEW F

FIRST USED	06 R40KD	
TITLE	DO NOT SCALE DRAWING	
	DRAINAGE SYSTEM INSTL	
SHEET 4	PART NO	152328
	REV	1 6/13/2006

DWG NO	----
152327-01	(WIN)
152327-02	(ITA)

RELEASE	REV DATE	DWG NO
A		152327
REV ZONE	REVISION RECORD	DATE
		DFTR-0R16

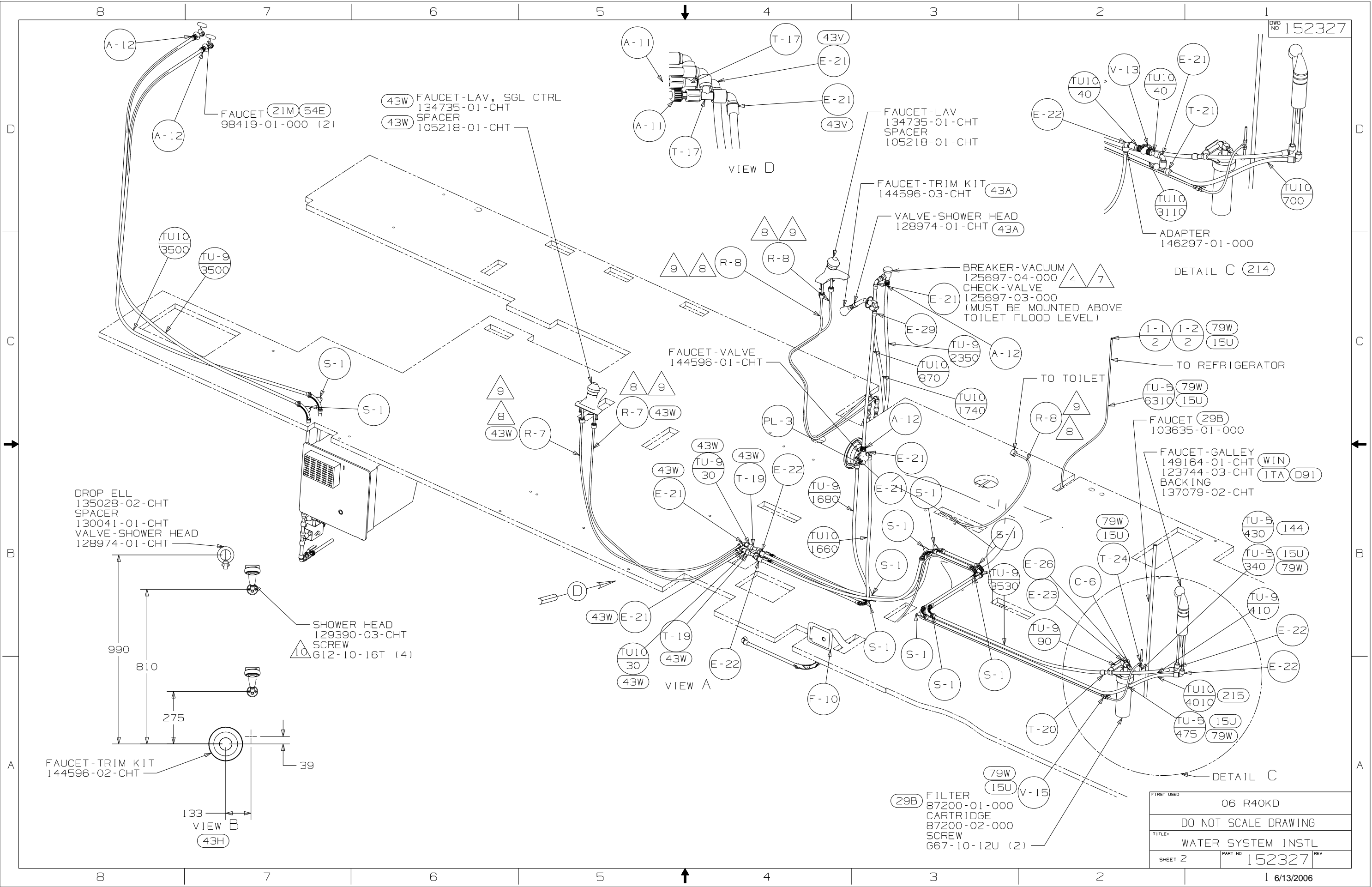


- (WIN) WINNEBAGO ONLY
- (ITA) ITASCA ONLY
- (43H) SHOWER HEAD-HAND HELD
- (43A) SHOWER HEAD-FIXED
- (54E) WASHER/DRYER
- (21M) WASHER/DRYER PREP
- (214) DISHWASHER-DRAWER STYLE
- (215) DISHWASHER WITHOUT
- (53E) WATER SYSTEM WINTERIZATION PKG
- (79W) REFRIGERATOR-4 DR W/ICEMAKER
- (15U) REFRIGERATOR DBL DR W/ICEMAKER
- (144) REFRIGERATOR-LG DBL DR
- (29B) WATER PURIFICATION SYSTEM
- (43W) CABINET-LAVATORY
- (43V) CABINET-CHEST OF DRAWERS
- (9DI) STAINLESS STEEL APPLIANCE PKG

- NOTES:
1. PLASTIC FITTINGS TO BE SEALED WITH SEALANT 84456-01-000.
  2. TUBING TO BE INSTALLED WITH SUFFICIENT SLOPE TO PROVIDE DRAINAGE TO NEAREST VALVE.
  3. ALL TUBING TO BE SECURED AT 1200 INTERVALS MAXIMUM WITH CLAMP 10495-01-000 OR CLIP 9151-01-000 AND SCREW G67-10-12B.
4. FLUSHING SYSTEM REQUIRES 125697-06-000 INSTRUCTION SHEET.
  5. ADD TEFLON TAPE 10405-02-000.
  6. ADD TEFLON TAPE 10405-01-000.
  7. ADD TEFLON TAPE 10405-03-000.
  8. LABEL HOT AND COLD SUPPLY TUBES.
  9. TAPE FITTING TO TUBE BEFORE CABINET SET TO PREVENT FITTING FROM MOVING.
  10. USED IN PLACE OF SUPPLIED SCREWS TO ATTACH BRACKET TO WALL.

(X-X)  
FOR  
WATER  
CALLOUTS  
SEE DWG NO  
116230-01-000

<b>WINNEBAGO</b>		COPYRIGHT 2006 WINNEBAGO INDUSTRIES, INC.	
DFTR	ORIG. DATE	ALL DIMENSIONS ARE IN MILLIMETERS	
CHKR		FIRST USED	
P.E.		06 R40KD	
M.E.		UNSPECIFIED TOLERANCES ARE:	
DSNR		MATERIAL:	
		WHOLE DIM (X)	: 3
		ONE-PLACE (X.X)	: 1.5
		TWO-PLACE (X.XX)	: 0.50
		ANGLE	: 1°
THIRD ANGLE PROJECTION		DO NOT SCALE DRAWING	
TITLE: WATER SYSTEM INSTL			
SHEET 1 OF 5	PART NO	152327	REV
REF	1 6/13/2006		



43W FAUCET-LAV, SGL CTRL  
134735-01-CHT  
SPACER  
105218-01-CHT

FAUCET-LAV  
134735-01-CHT  
SPACER  
105218-01-CHT

FAUCET-TRIM KIT  
144596-03-CHT (43A)

VALVE-SHOWER HEAD  
128974-01-CHT (43A)

BREAKER-VACUUM  
125697-04-000  
CHECK-VALVE  
125697-03-000  
(MUST BE MOUNTED ABOVE  
TOILET FLOOD LEVEL)

FAUCET-VALVE  
144596-01-CHT

FAUCET (29B)  
103635-01-000

FAUCET-GALLEY  
149164-01-CHT (WIN)  
123744-03-CHT (ITA) (D91)  
BACKING  
137079-02-CHT

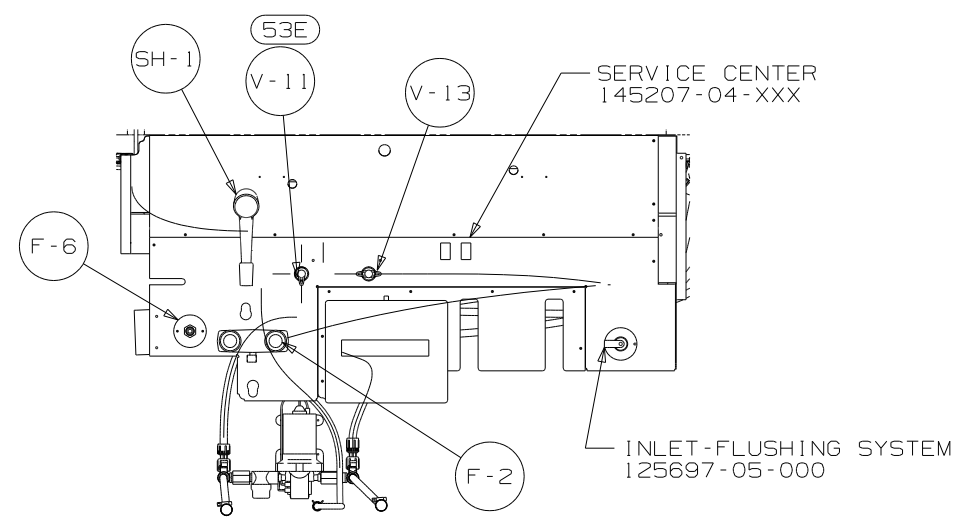
DROP ELL  
135028-02-CHT  
SPACER  
130041-01-CHT  
VALVE-SHOWER HEAD  
128974-01-CHT

SHOWER HEAD  
129390-03-CHT  
SCREW  
G12-10-16T (4)

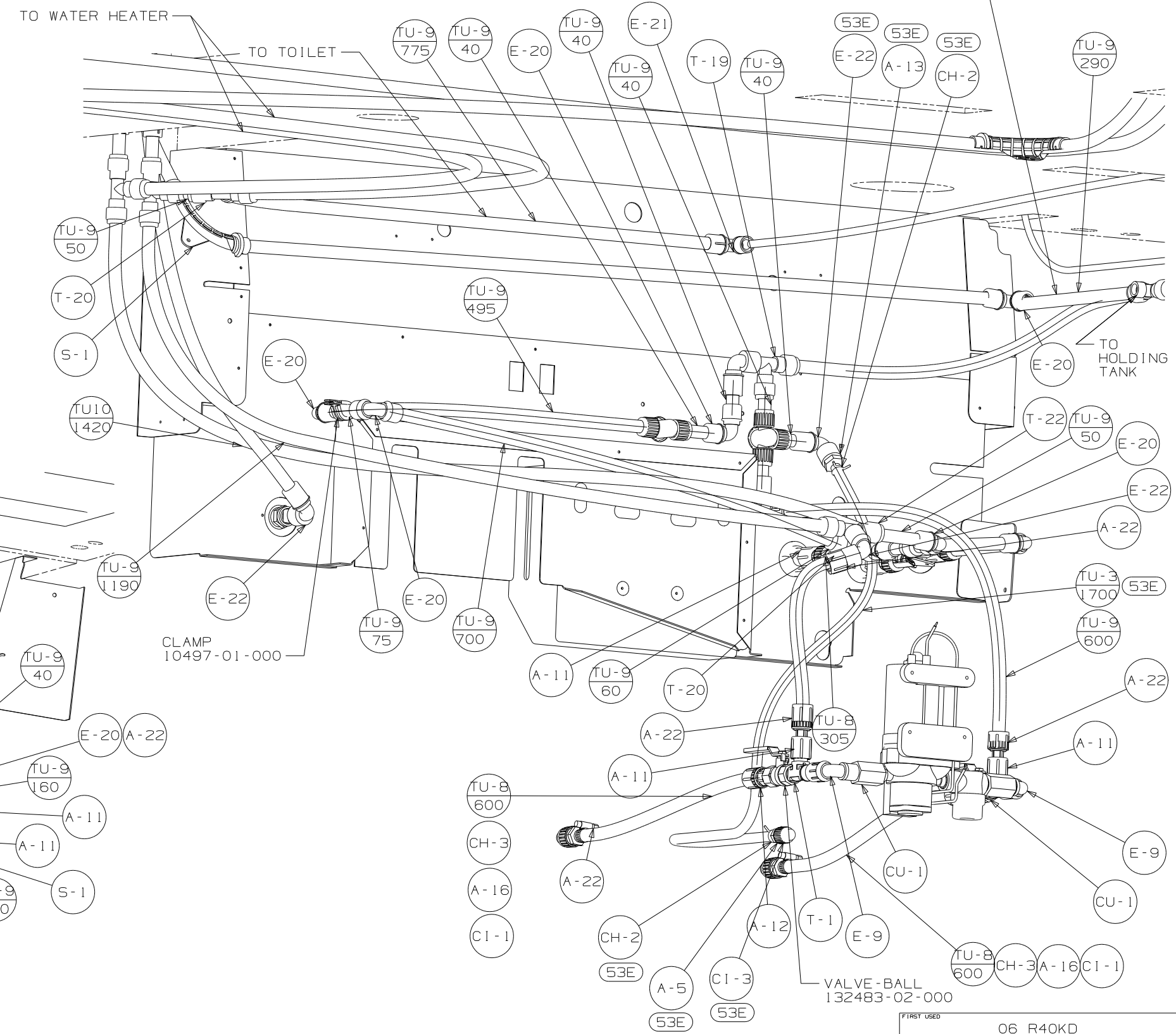
FAUCET-TRIM KIT  
144596-02-CHT

(29B) FILTER  
87200-01-000  
CARTRIDGE  
87200-02-000  
SCREW  
667-10-12U (2)

FIRST USED	06 R40KD	
TITLE	DO NOT SCALE DRAWING	
TITLE	WATER SYSTEM INSTL	
SHEET 2	PART NO	152327
REV		



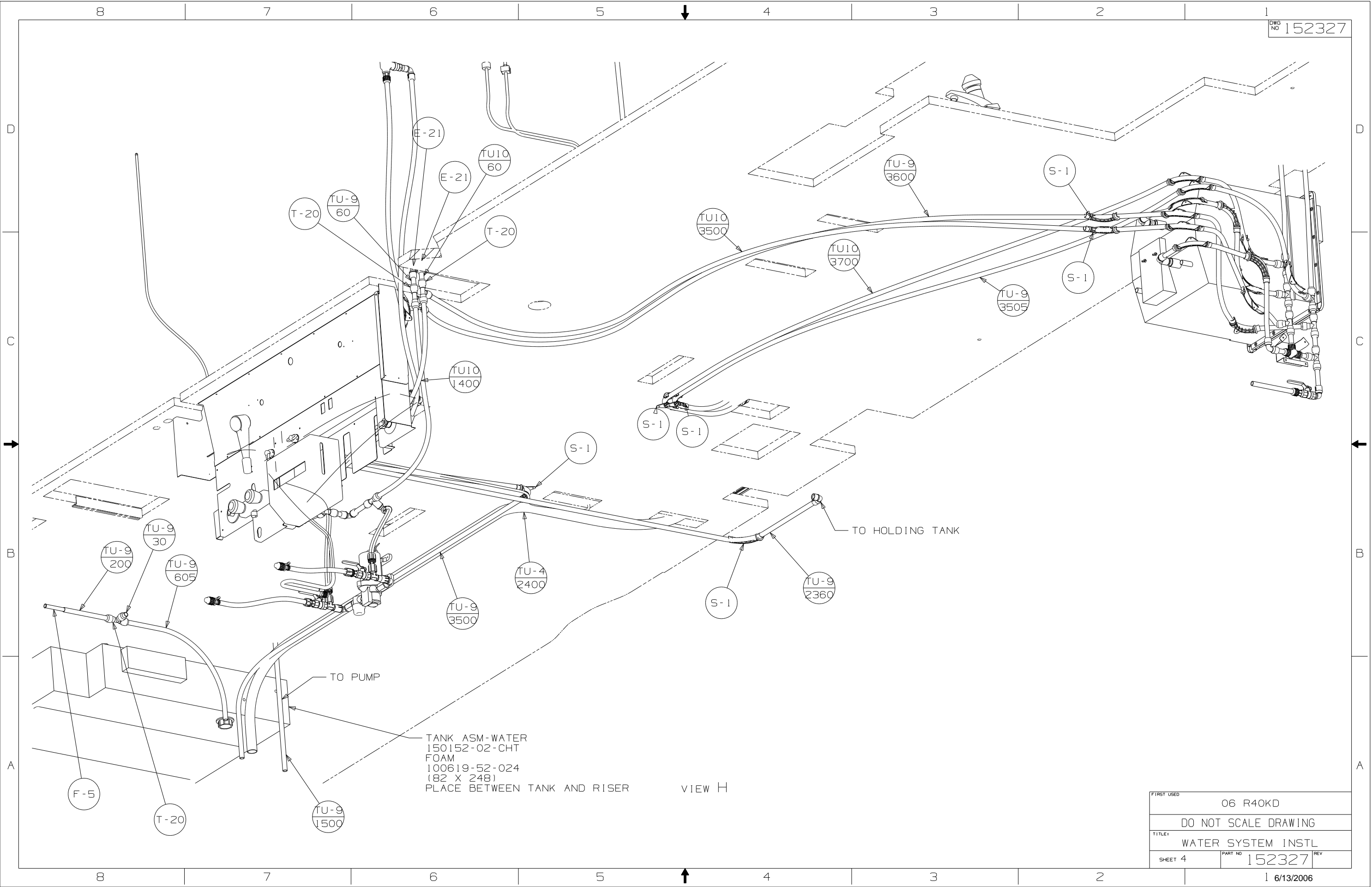
VIEW E



VIEW F

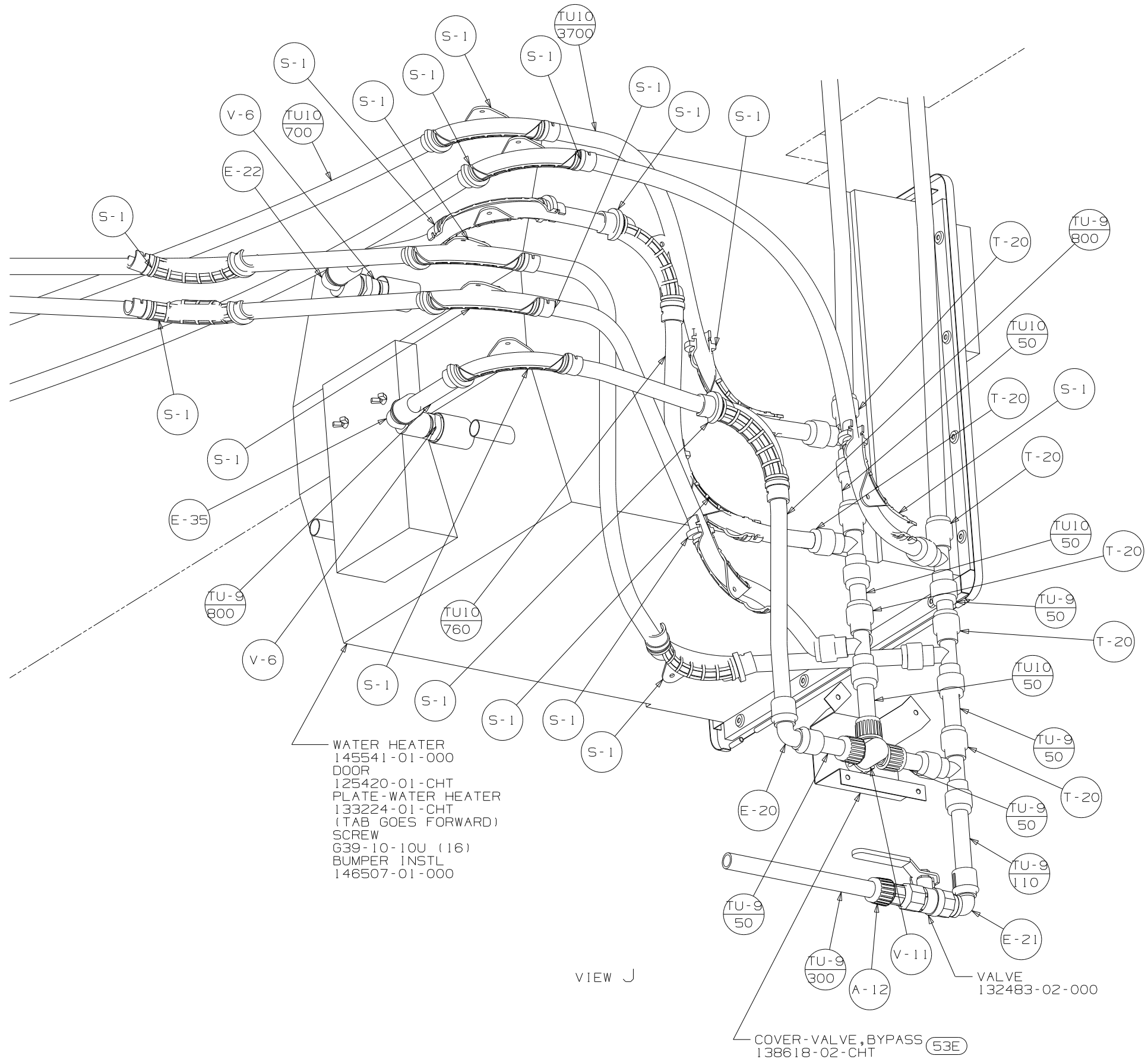
VIEW G

FIRST USED	06 R40KD	
TITLE	DO NOT SCALE DRAWING	
	WATER SYSTEM INSTL	
SHEET 3	PART NO	152327
	REV	



FIRST USED	06 R40KD
DO NOT SCALE DRAWING	
TITLE	WATER SYSTEM INSTL
SHEET 4	PART NO 152327 REV





WATER HEATER  
 145541-01-000  
 DOOR  
 125420-01-CHT  
 PLATE-WATER HEATER  
 133224-01-CHT  
 (TAB GOES FORWARD)  
 SCREW  
 G39-10-10U (16)  
 BUMPER INSTL  
 146507-01-000

VIEW J

FIRST USED	06 R40KD
TITLE	DO NOT SCALE DRAWING
SHEET 5	PART NO 152327 REV
	1 6/13/2006