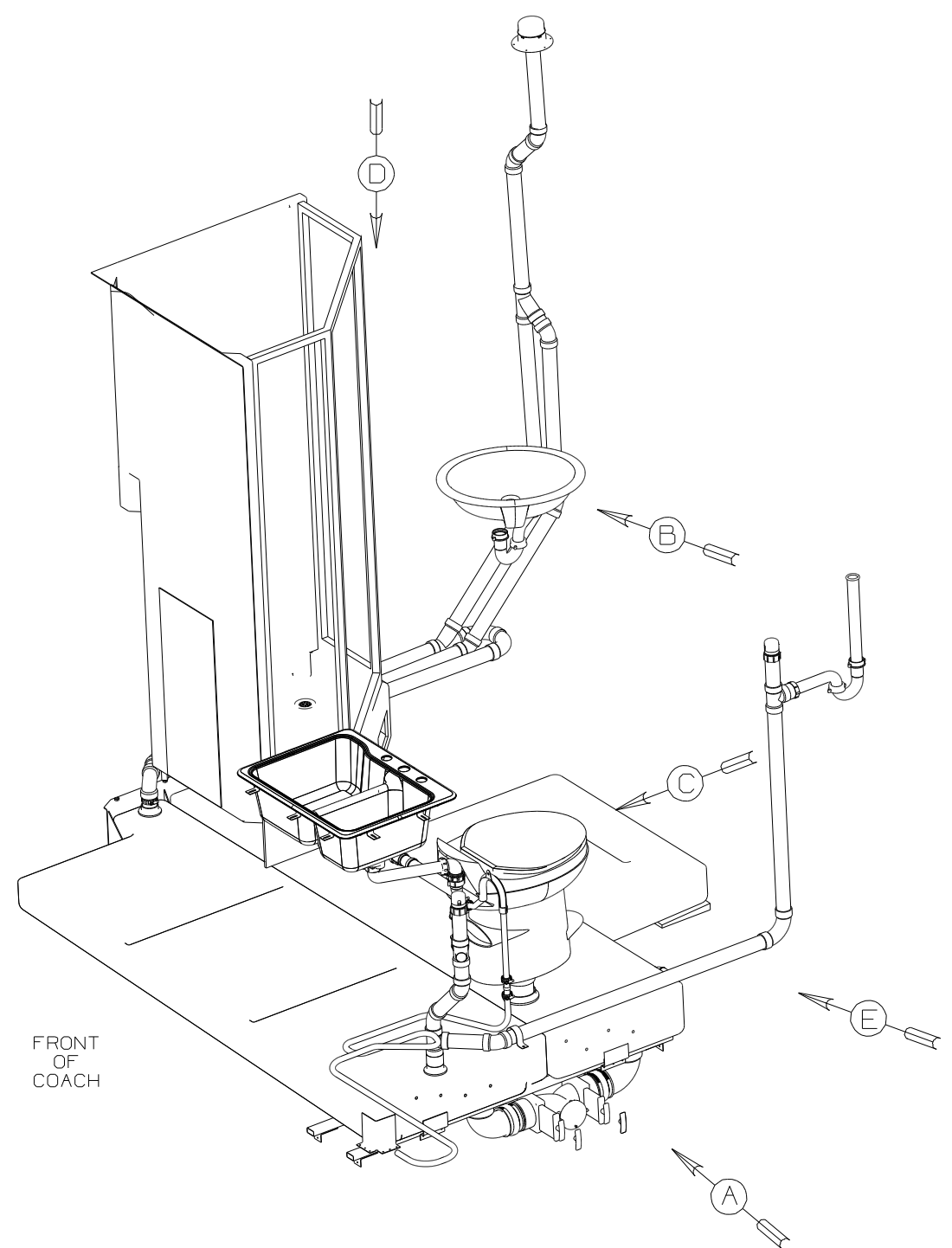


DWG NO	----
154340-01	(WIN)
154340-02	(ITA)

RELEASE	REV DATE	DWG NO
A		154340
REV ZONE	REVISION RECORD	DATE



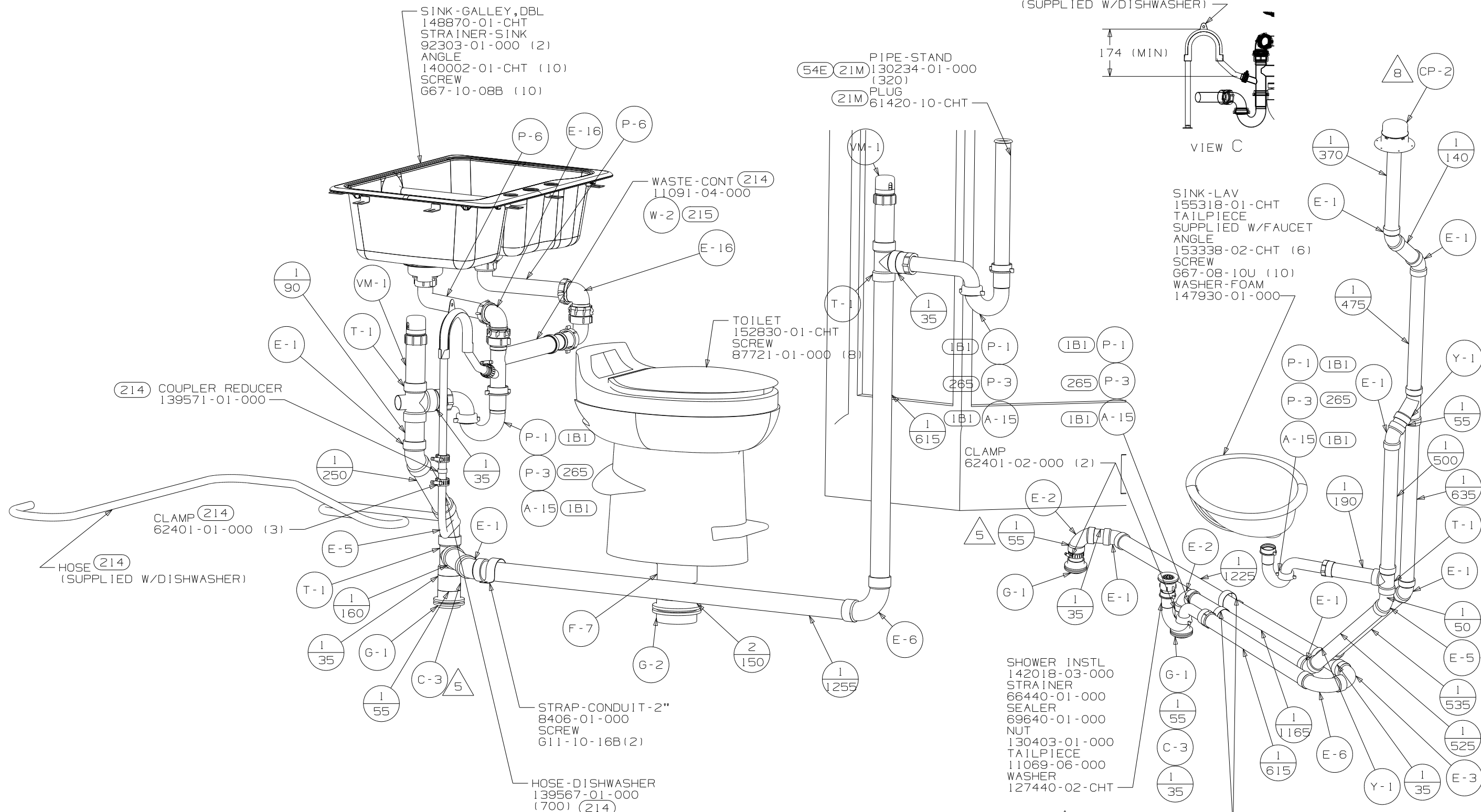
- (WIN) WINNEBAGO ONLY
- (ITA) ITASCA ONLY
- (IBI) CODES/STANDARDS-USA
- (265) CODES/STDS-CSA/CMVSS
- (54E) WASHER/DRYER
- (21M) WASHER/DRYER PREP
- (43M) TOILET PORCELAIN-ELONGATED

- 8 VENT PIPE MUST PROJECT 51 MIN AND 64 MAX. ABOVE ROOF FOR PROPER FIT AND FUNCTION.
7. SEE DWG 61607-01-000 FOR INSTL OF GROMMETS.
6. SEAL ALL AROUND SHOWER WITH SILICONE.
- 5 SECURE PIPES TO FLOOR USING BRACKET AND SCREW AS SHOWN.
4. ALL EXTERIOR OPENINGS AROUND PIPE TO BE SEALED WITH 110744-01-000.
3. ALL PIPE AND FITTINGS TO BE ASSEMBLED WITH SOLVENT 4020-01-000 (US) 4020-02-000 (CAN).
2. SLOPE OF TRAP ARM MUST BE 6 PER 305 mm.
1. SLOPE OF HORIZONTAL PIPING TO BE 6 PER 305 mm.

NOTES:

(X-X)  
FOR  
DRAINAGE  
CALLOUTS  
SEE DWG NO  
116229-01-000

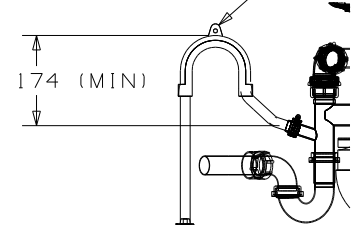
<b>WINNEBAGO</b>		COPYRIGHT 2006 WINNEBAGO INDUSTRIES, INC.	
DFT	ORIG. DATE	ALL DIMENSIONS ARE IN MILLIMETERS	
CHKR		FIRST USED	
P.E.		06 R36RD	
M.E.		UNSPECIFIED TOLERANCES ARE:	
DSNR		MATERIAL:	
		WHOLE DIM (X)	: 3
		ONE-PLACE (X.X)	:
		TWO-PLACE (X.XX)	:
		ANGLE	:
		THIRD ANGLE PROJECTION	
DO NOT SCALE DRAWING			
TITLE: DRAINAGE SYSTEM INSTL			
SHEET 1 OF 3	PART NO	154340	REV



SINK-GALLEY, DBL  
148870-01-CHT  
STRAINER-SINK  
92303-01-000 (2)  
ANGLE  
140002-01-CHT (10)  
SCREW  
G67-10-08B (10)

PIPE-STAND  
130234-01-000  
(320)  
PLUG  
61420-10-CHT

DRAIN HOSE SUPPORT  
(SUPPLIED W/DISHWASHER)



SINK-LAV  
155318-01-CHT  
TAILPIECE  
SUPPLIED W/FAUCET  
ANGLE  
153338-02-CHT (6)  
SCREW  
G67-08-10U (10)  
WASHER-FOAM  
147930-01-000

TOILET  
152830-01-CHT  
SCREW  
87721-01-000 (8)

SHOWER INSTL  
142018-03-000  
STRAINER  
66440-01-000  
SEALER  
69640-01-000  
NUT  
130403-01-000  
TAILPIECE  
11069-06-000  
WASHER  
127440-02-CHT

STRAP-CONDUIT-2"  
8406-01-000  
SCREW  
G11-10-16B(2)

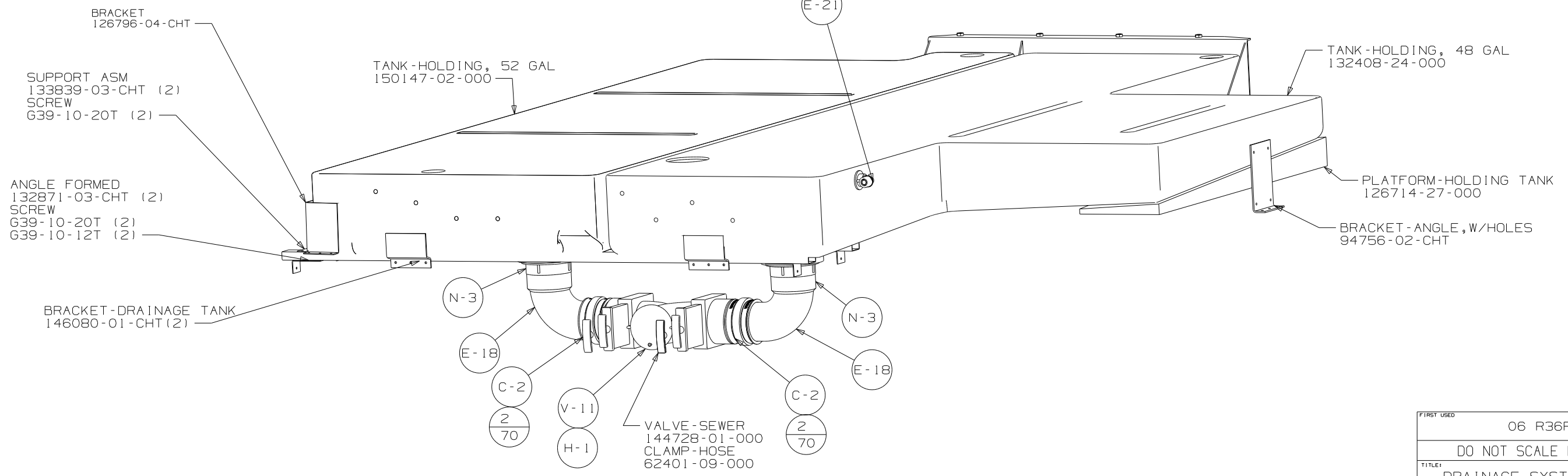
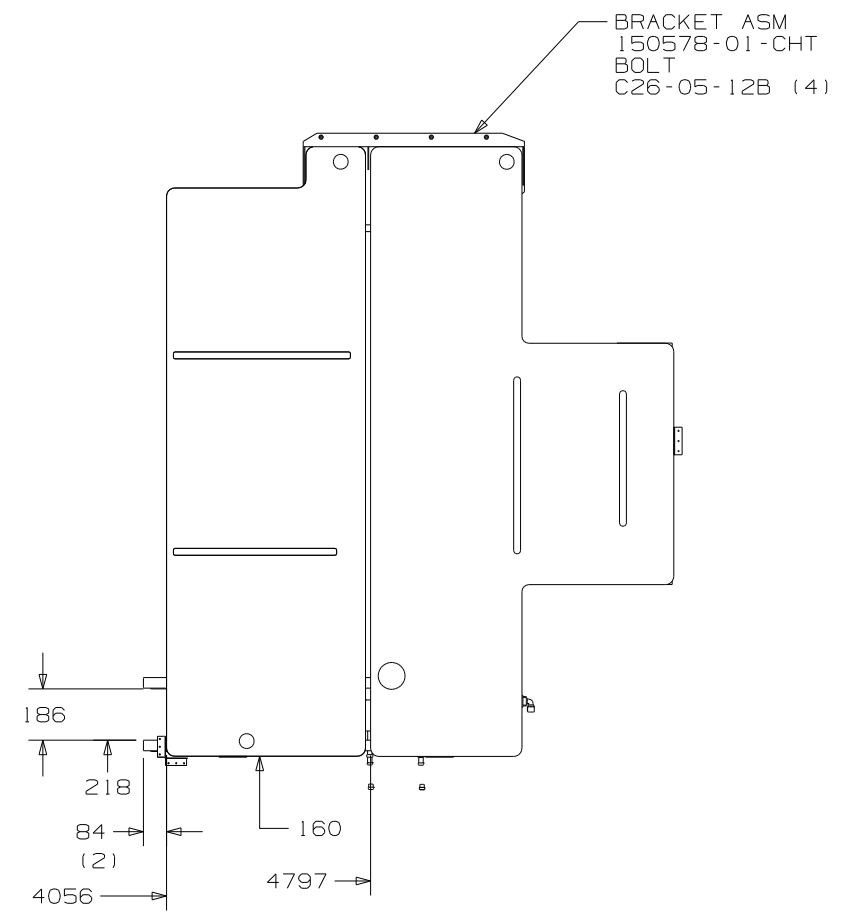
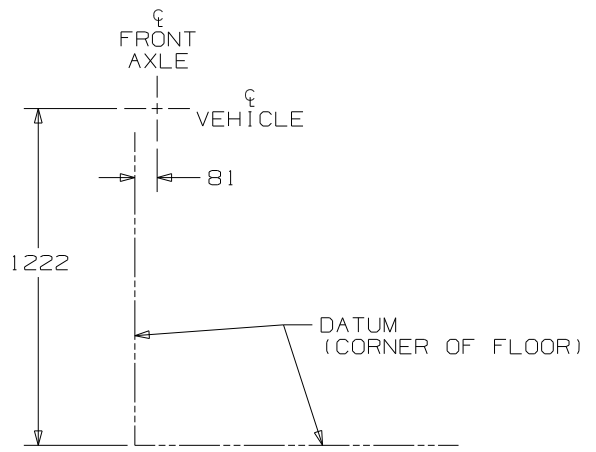
HOSE-DISHWASHER  
139567-01-000  
(700) (214)

STRAP-CONDUIT-2"  
8406-01-000  
SCREW  
G11-10-16B(2)

VIEW A

VIEW B

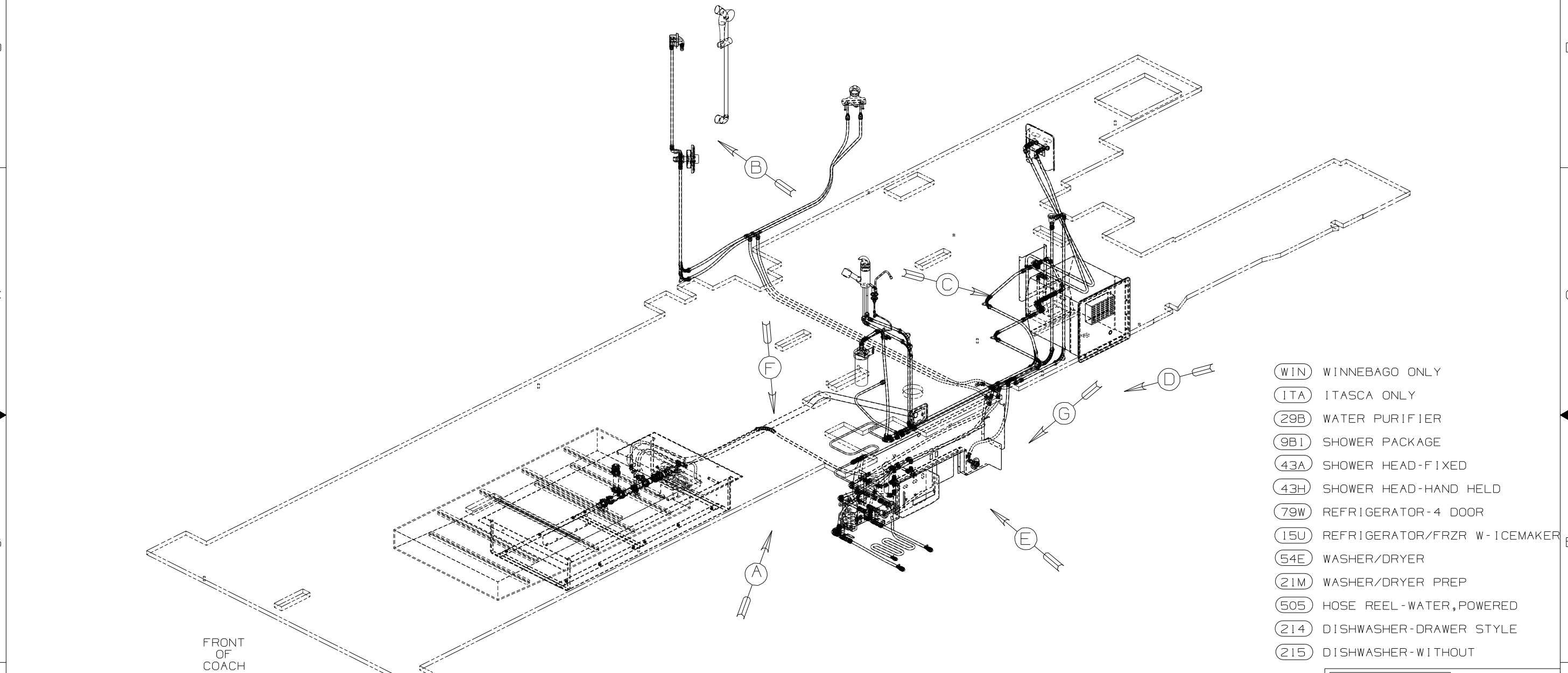
FIRST USED	06 R36RD	
TITLE	DO NOT SCALE DRAWING	
	DRAINAGE SYSTEM INSTL	
SHEET 2	PART NO	154340
	REV	



FIRST USED	06 R36RD	
TITLE	DO NOT SCALE DRAWING	
	DRAINAGE SYSTEM INSTL	
SHEET 3	PART NO 154340	REV

DWG NO	----
154341-01	(WIN)
154341-02	(ITA)

RELEASE	REV DATE	DWG NO
A		154341
REV ZONE	REVISION RECORD	DATE DFR-0R16

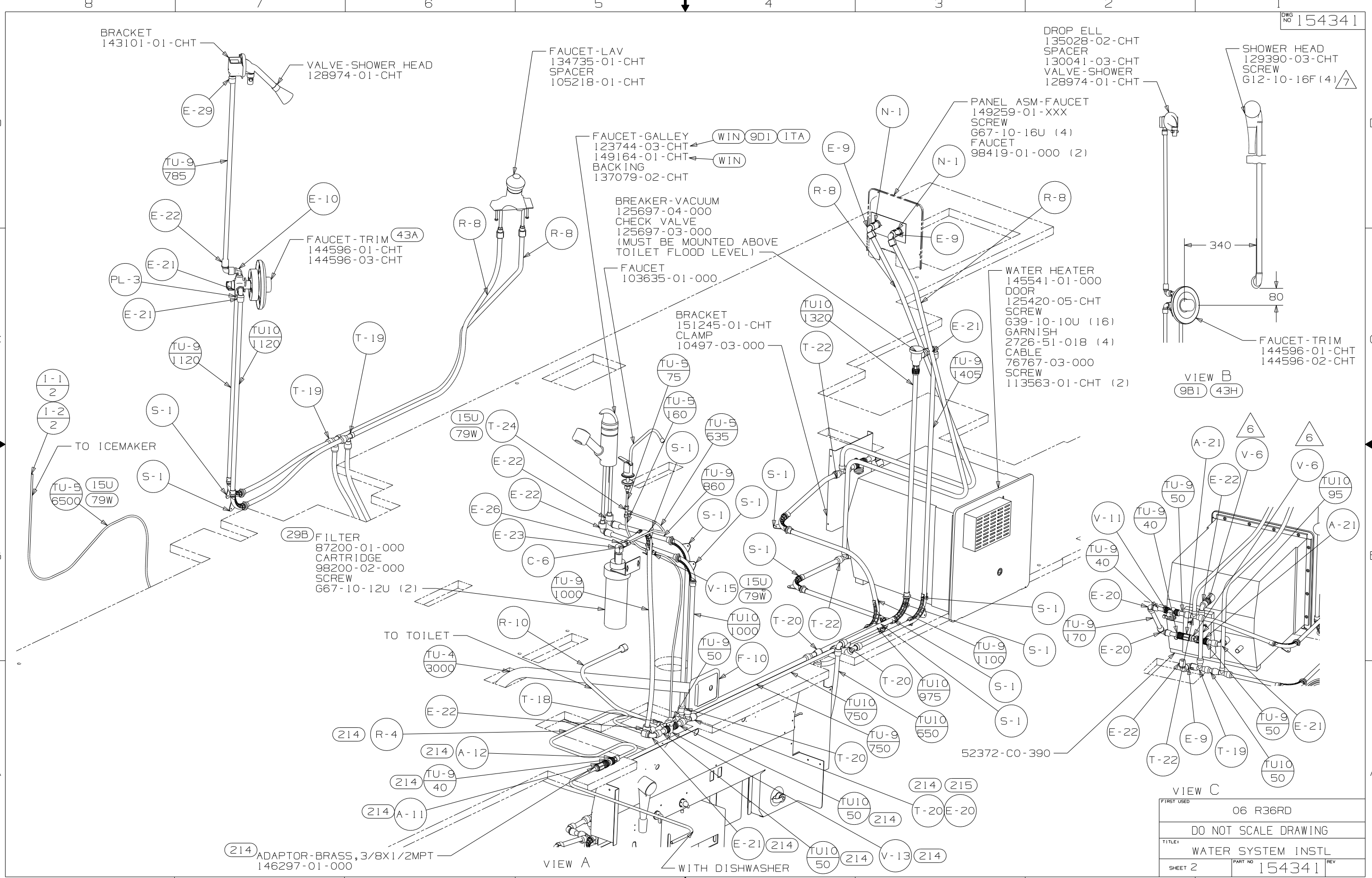


- (WIN) WINNEBAGO ONLY
- (ITA) ITASCA ONLY
- (29B) WATER PURIFIER
- (9B1) SHOWER PACKAGE
- (43A) SHOWER HEAD-FIXED
- (43H) SHOWER HEAD-HAND HELD
- (79W) REFRIGERATOR-4 DOOR
- (15U) REFRIGERATOR/FRZR W-ICEMAKER
- (54E) WASHER/DRYER
- (21M) WASHER/DRYER PREP
- (505) HOSE REEL-WATER,POWERED
- (214) DISHWASHER-DRAWER STYLE
- (215) DISHWASHER-WITHOUT

- NOTES:
7. USE IN PLACE OF SUPPLIED SCREWS TO ATTACH BRACKET TO WALL.
  6. ADD TEFLON TAPE 10405-02-000.
  5. ADD TEFLON TAPE 10405-01-000.
  4. ADD TEFLON TAPE 10405-03-000.
3. ALL TUBING TO BE SECURED AT 1200 INTERVALS MAXIMUM WITH CLAMP 10495-01-000 OR CLIP 91951-01-000 AND SCREW G67-10-12B.
  2. TUBING TO BE INSTALLED WITH SUFFICIENT SLOPE TO PROVIDE DRAINAGE TO NEAREST VALVE.
  1. PLASTIC FITTINGS TO BE SEALED WITH SEALANT 84456-01-000.

(X-X)  
FOR WATER CALLOUTS SEE DWG NO 116230-01-000

<b>WINNEBAGO</b>		COPYRIGHT 2006 WINNEBAGO INDUSTRIES, INC.	
DFTR	ORIG. DATE	ALL DIMENSIONS ARE IN MILLIMETERS	
CHKR		FIRST USED	
P.E.		06 R36RD	
M.E.		UNSPECIFIED TOLERANCES ARE:	
DSNR		MATERIAL:	
		WHOLE DIM (X)	: 7
		ONE-PLACE (X.X)	:
		TWO-PLACE (X.XX)	:
		ANGLE	:
		THIRD ANGLE PROJECTION	
DO NOT SCALE DRAWING			
TITLE: WATER SYSTEM INSTL			
SHEET 1 OF 4	PART NO	154341	
REF:	1 6/13/2006		



DROP ELL  
135028-02-CHT  
SPACER  
130041-03-CHT  
VALVE-SHOWER  
128974-01-CHT

SHOWER HEAD  
129390-03-CHT  
SCREW  
G12-10-16F (4)

PANEL ASM-FAUCET  
149259-01-XXX  
SCREW  
G67-10-16U (4)  
FAUCET  
98419-01-000 (2)

FAUCET-GALLEY  
123744-03-CHT  
149164-01-CHT  
BACKING  
137079-02-CHT

BREAKER-VACUUM  
125697-04-000  
CHECK VALVE  
125697-03-000  
(MUST BE MOUNTED ABOVE  
TOILET FLOOD LEVEL)

WATER HEATER  
145541-01-000  
DOOR  
125420-05-CHT  
SCREW  
G39-10-10U (16)  
GARNISH  
2726-51-018 (4)  
CABLE  
76767-03-000  
SCREW  
113563-01-CHT (2)

FAUCET-TRIM  
144596-01-CHT  
144596-02-CHT

VIEW B  
9B1 43H

A-21  
V-6  
E-22  
TU-9 50  
TU-9 40  
TU-9 95  
TU-9 50  
E-21

TU-9 50  
E-20  
TU-9 40  
E-20  
TU-9 170  
E-20  
S-1  
TU-9 1100  
S-1  
TU-9 550  
TU-9 750  
TU-9 975  
TU-9 750  
TU-9 550

TU-9 40  
E-20  
S-1  
TU-9 170  
E-20  
S-1  
TU-9 1100  
S-1  
TU-9 550  
TU-9 750  
TU-9 975  
TU-9 750  
TU-9 550

TU-9 40  
E-20  
S-1  
TU-9 170  
E-20  
S-1  
TU-9 1100  
S-1  
TU-9 550  
TU-9 750  
TU-9 975  
TU-9 750  
TU-9 550

TU-9 40  
E-20  
S-1  
TU-9 170  
E-20  
S-1  
TU-9 1100  
S-1  
TU-9 550  
TU-9 750  
TU-9 975  
TU-9 750  
TU-9 550

TU-9 40  
E-20  
S-1  
TU-9 170  
E-20  
S-1  
TU-9 1100  
S-1  
TU-9 550  
TU-9 750  
TU-9 975  
TU-9 750  
TU-9 550

TU-9 40  
E-20  
S-1  
TU-9 170  
E-20  
S-1  
TU-9 1100  
S-1  
TU-9 550  
TU-9 750  
TU-9 975  
TU-9 750  
TU-9 550

TU-9 40  
E-20  
S-1  
TU-9 170  
E-20  
S-1  
TU-9 1100  
S-1  
TU-9 550  
TU-9 750  
TU-9 975  
TU-9 750  
TU-9 550

TU-9 40  
E-20  
S-1  
TU-9 170  
E-20  
S-1  
TU-9 1100  
S-1  
TU-9 550  
TU-9 750  
TU-9 975  
TU-9 750  
TU-9 550

TU-9 40  
E-20  
S-1  
TU-9 170  
E-20  
S-1  
TU-9 1100  
S-1  
TU-9 550  
TU-9 750  
TU-9 975  
TU-9 750  
TU-9 550

TU-9 40  
E-20  
S-1  
TU-9 170  
E-20  
S-1  
TU-9 1100  
S-1  
TU-9 550  
TU-9 750  
TU-9 975  
TU-9 750  
TU-9 550

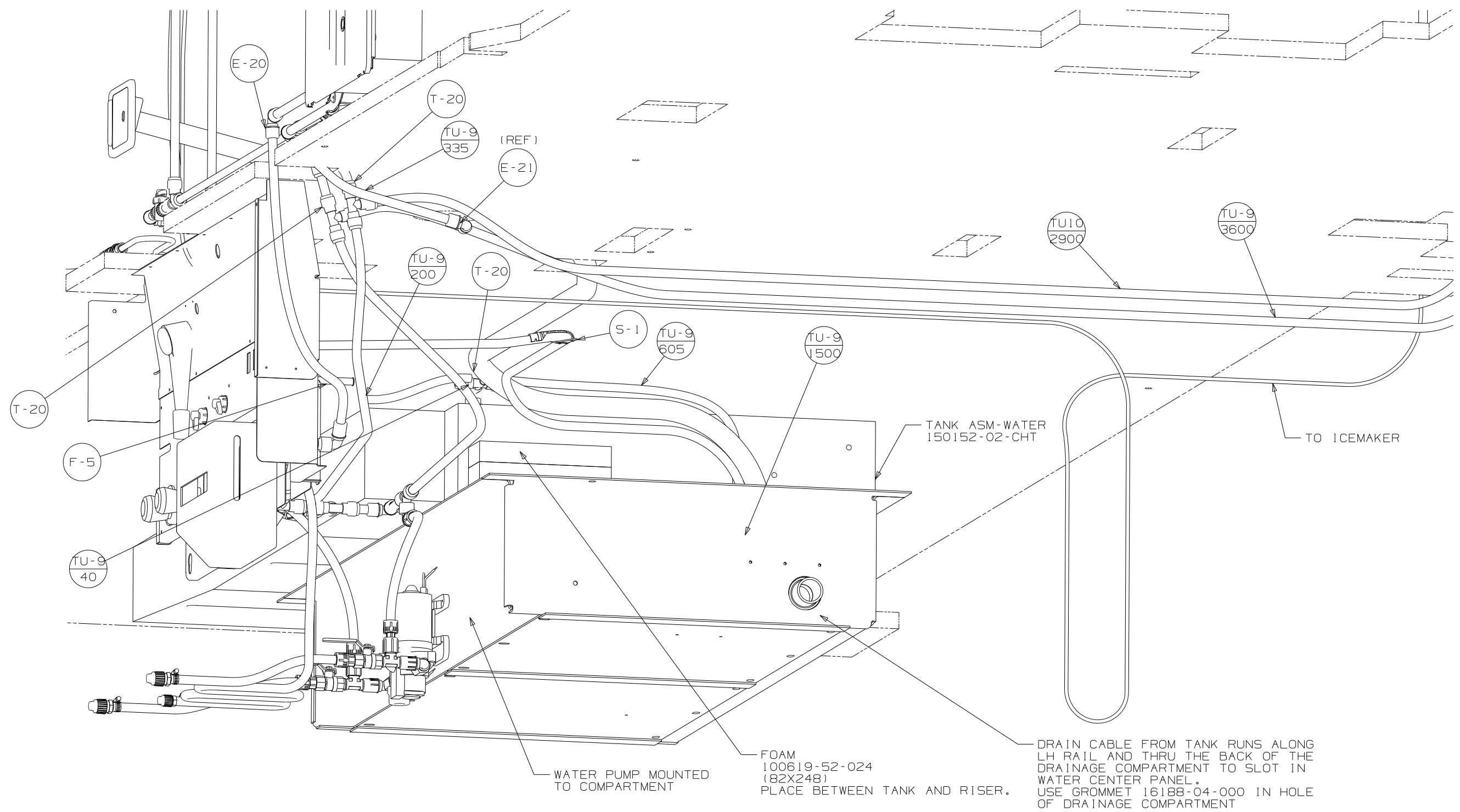
FIRST USED		06 R36RD	
DO NOT SCALE DRAWING			
TITLE: WATER SYSTEM INSTL			
SHEET 2	PART NO	154341	
		REV	

214 ADAPTOR-BRASS, 3/8X1/2MPT  
146297-01-000

VIEW A

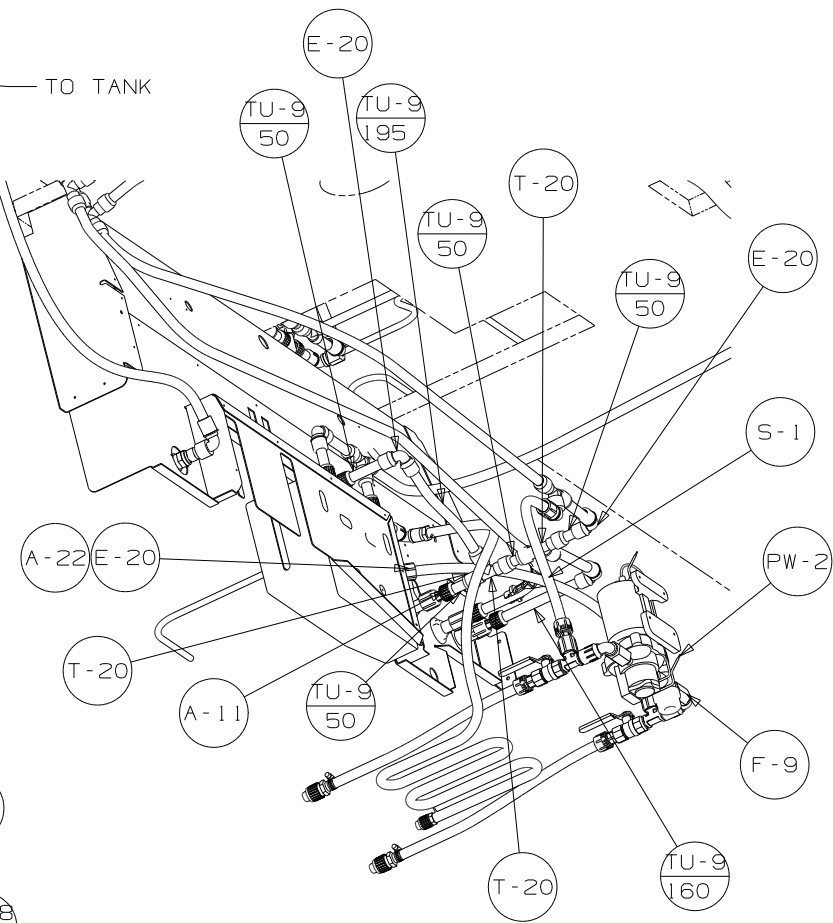
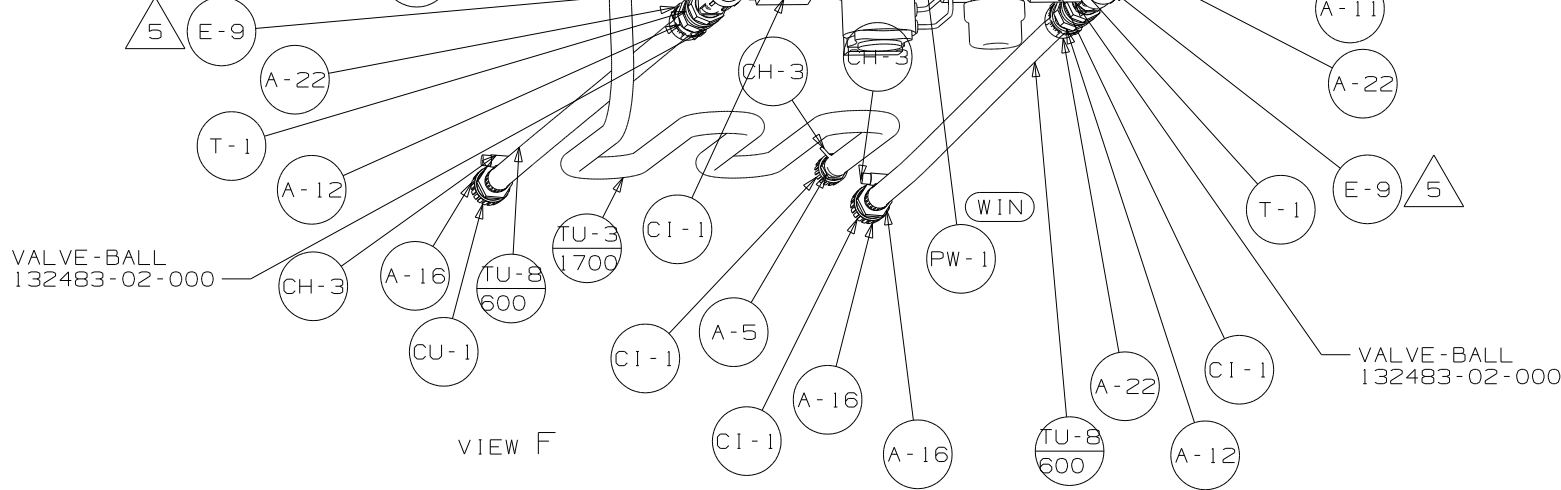
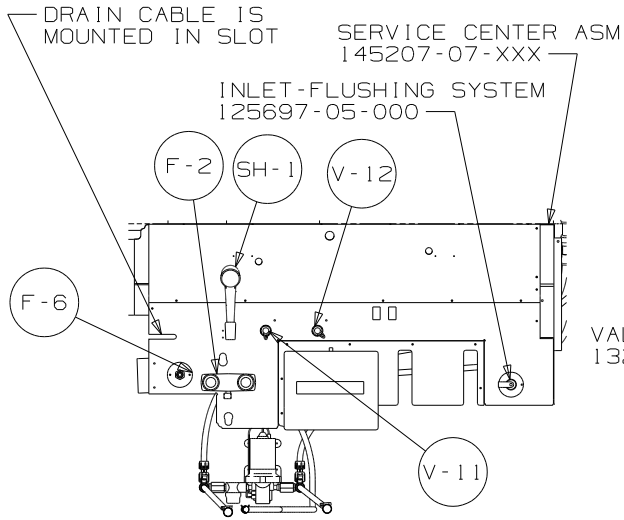
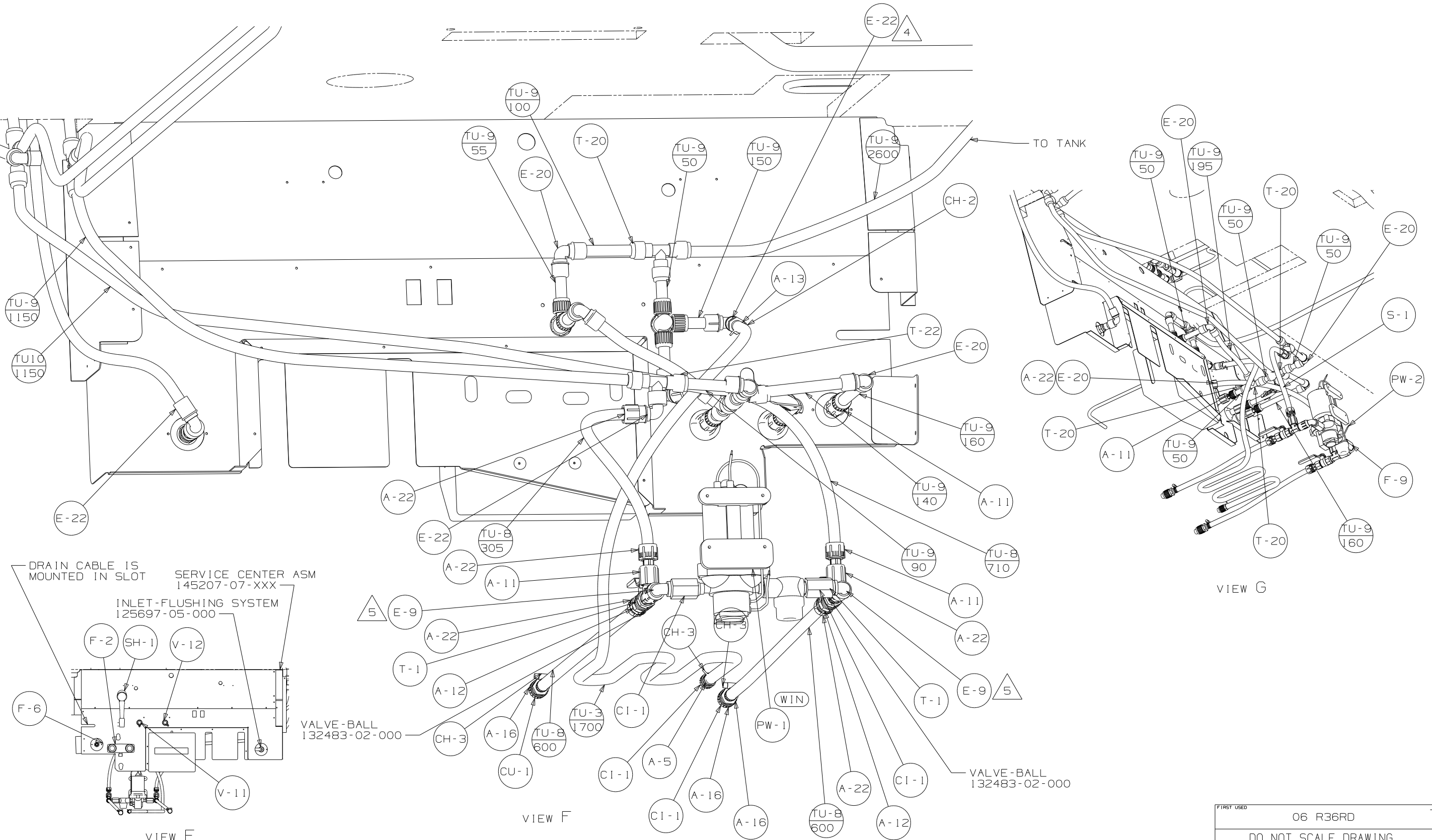
VIEW C

WITH DISHWASHER



VIEW D

FIRST USED	06 R36RD		
TITLE	DO NOT SCALE DRAWING		
	WATER SYSTEM INSTL		
SHEET 3	PART NO	154341	REV



FIRST USED	06 R36RD	
TITLE	DO NOT SCALE DRAWING	
	WATER SYSTEM INSTL	
SHEET 4	PART NO	REV
	154341	