



**DANGER**

**Danger of electrical shock, burns or death.** Always remove all power sources before attempting any repair, service or diagnostic work. Power can be present from shore power, generator, inverter or battery. All power sources must be disabled and secured before performing any service.

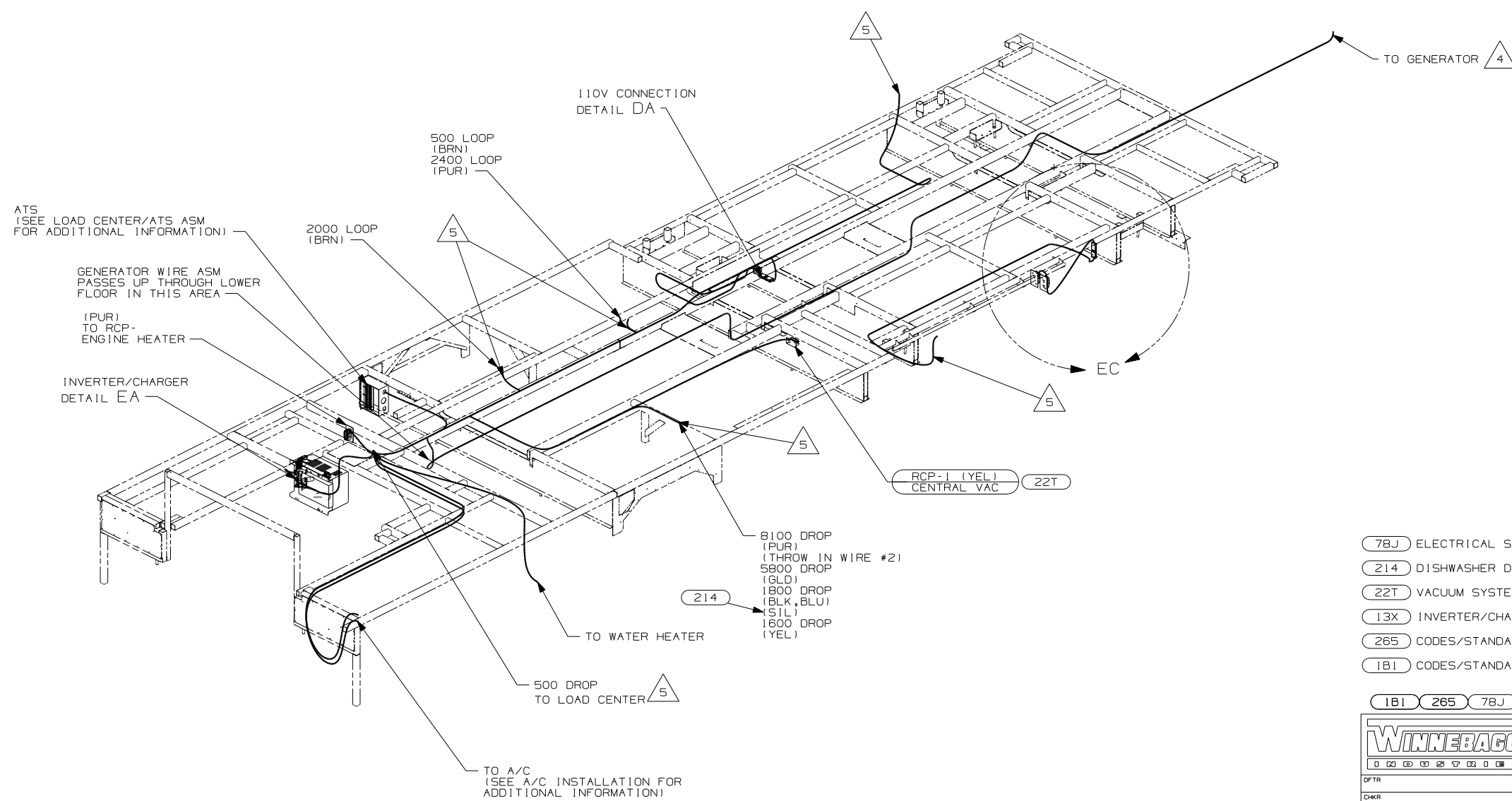


**CAUTION**

If you lack the skills, tools or equipment to perform diagnostic or repair work leave such work to an authorized Winnebago Industries dealer or other qualified shop.

DRAWING NO.	FEATURE
155452-01	-----
155452-14	1B1 78J 13X
155452-18	265 78J 13X

RELEASE	REV DATE	DWG NO
A		155452
REV ZONE	REVISION RECORD	DATE DFR-ORIG



- 78J ELECTRICAL SYSTEM-50 AMP
- 214 DISHWASHER DRAWER STYLE
- 22T VACUUM SYSTEM-CENTRAL
- 13X INVERTER/CHARGER 2.0 KW
- 265 CODES/STANDARDS-CSA/CMVSS
- 1B1 CODES/STANDARDS USA

1B1 265 78J



DFTR	ORIG. DATE
CHKR	ALL DIMENSIONS ARE IN MILLIMETERS
P.E.	
M.E.	FIRST USED
DSNR	06 R36LD
UNSPECIFIED TOLERANCES ARE:	MATERIAL:
HOLE DIM (X) :	
ONE-PLACE (X.X) :	
TWO-PLACE (X.XX) :	
ANGLE :	
THIRD ANGLE PROJECTION	

DO NOT SCALE DRAWING

TITLE: WIRING INSTL-BODY, 110V

SHEET 1 OF 5 PART NO 155452

- 5 WIRE PASSES UP THRU FLOOR IN THIS AREA.
- 4 SEE GENERATOR INSTALLATION FOR ADDITIONAL INFORMATION.

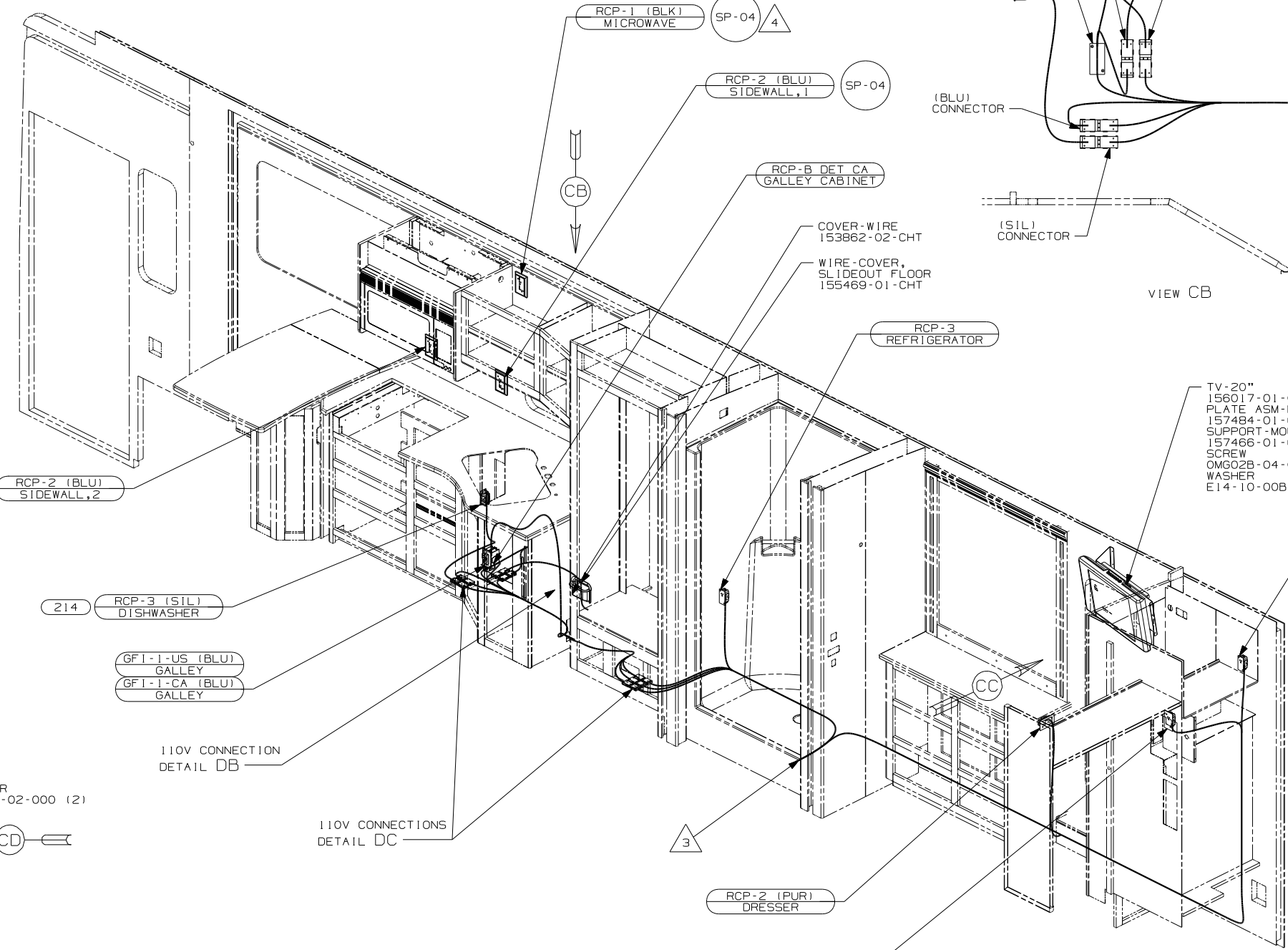
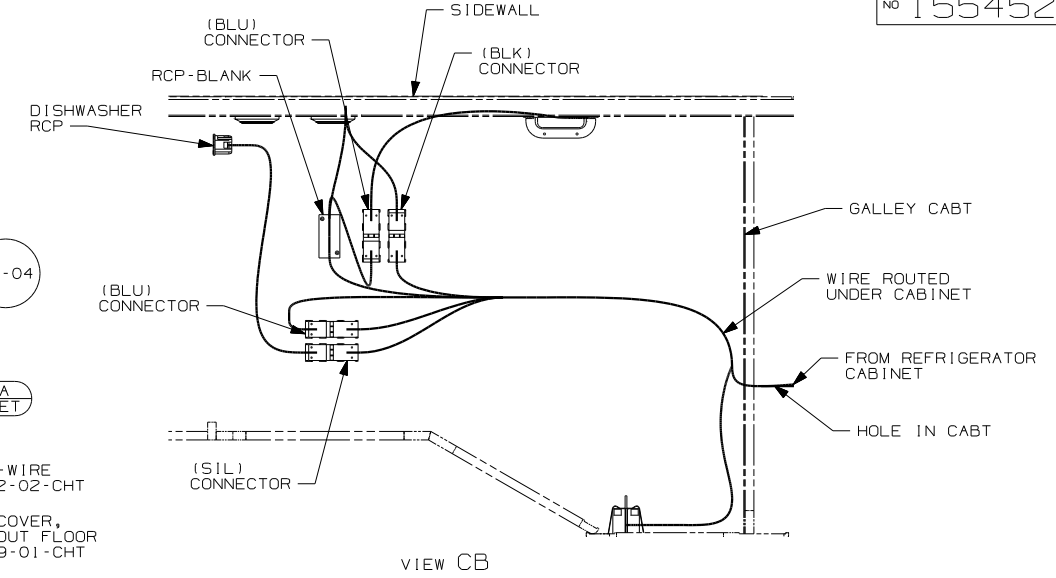
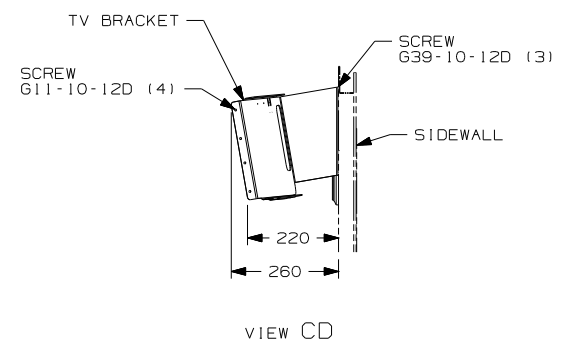
3. WIRE THAT REST ON WIRE TRAYS ARE TO BE TIED DOWN WITH WIRE TIE 8343-02-000.
2. CLAMP TO FLOOR SUPPORT TUBES AS NECESSARY WITH CLAMP 10497-01-000.
1. ALL WIRES TO BE SECURED WITH CLAMP 10495 OR 10497 OR WIRE TIE 8343 OR 108046 EVERY 600MM, USE SCREW G67-XX-XXX OR G56-XX-XXX AS APPROPRIATE FOR INTALLATION.

NOTES:

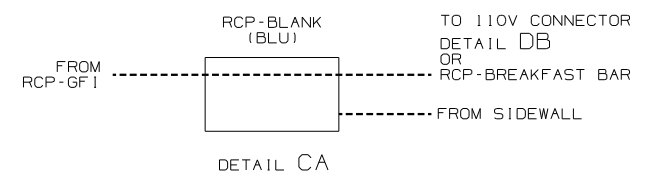
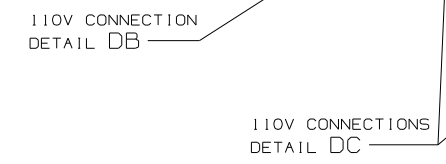
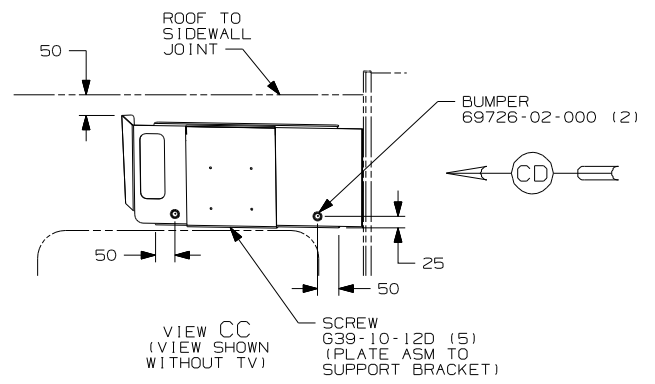
FOR ELECTRICAL TORQUE SPECIFICATIONS SEE DWG NO. 128783-01-000

FOR ELECTRICAL CALLOUTS SEE DWG NO. 121339-01-000





- TV-20" 156017-01-000
- PLATE ASM-MOUNTING,TV 157484-01-CHT
- SUPPORT-MOUNTING,TV 157466-01-CHT
- SCREW OMOG2B-04-012 (4)
- WASHER E14-10-00B (4)



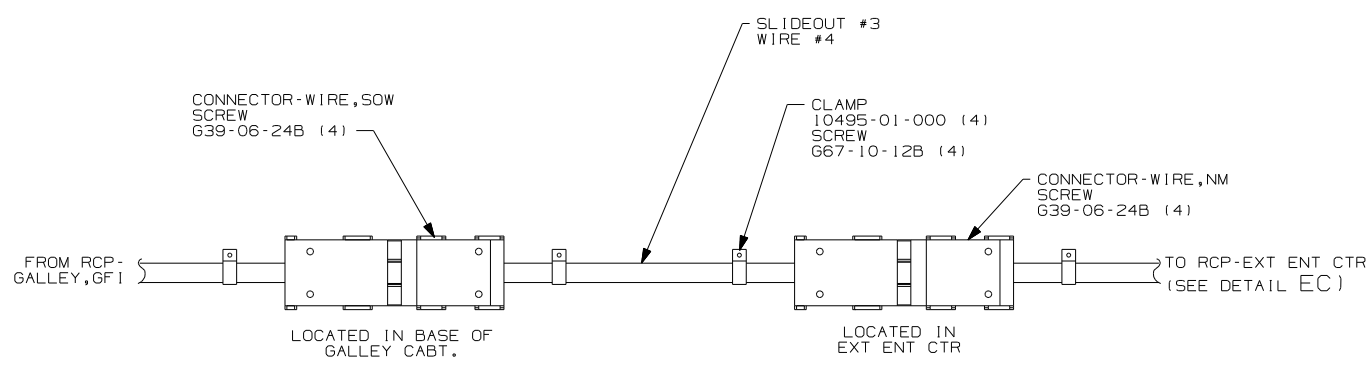
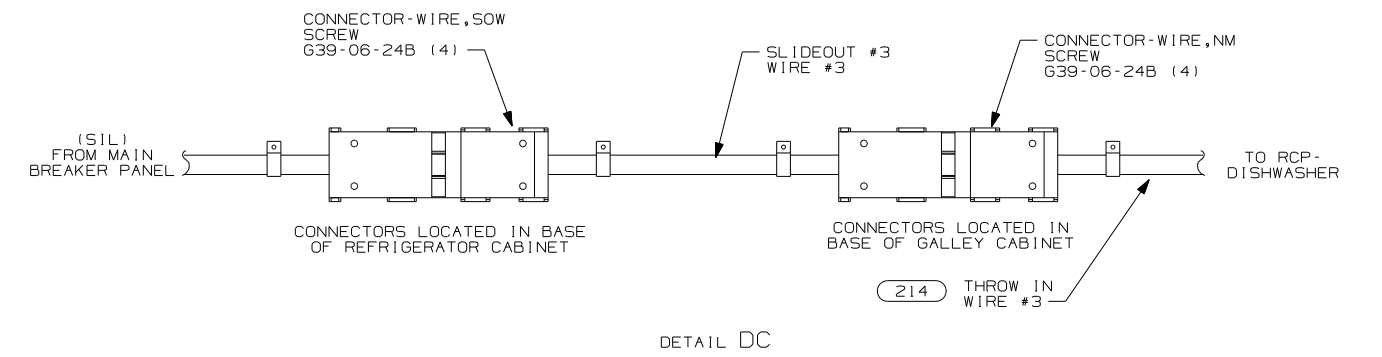
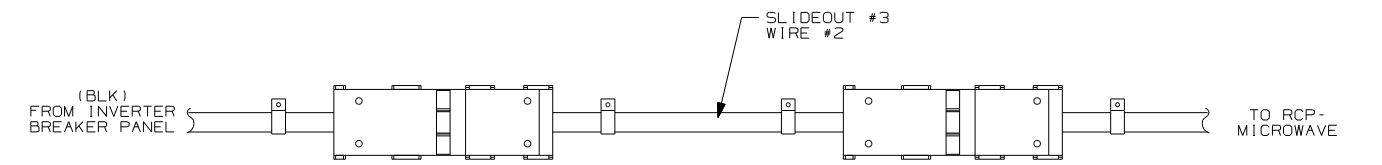
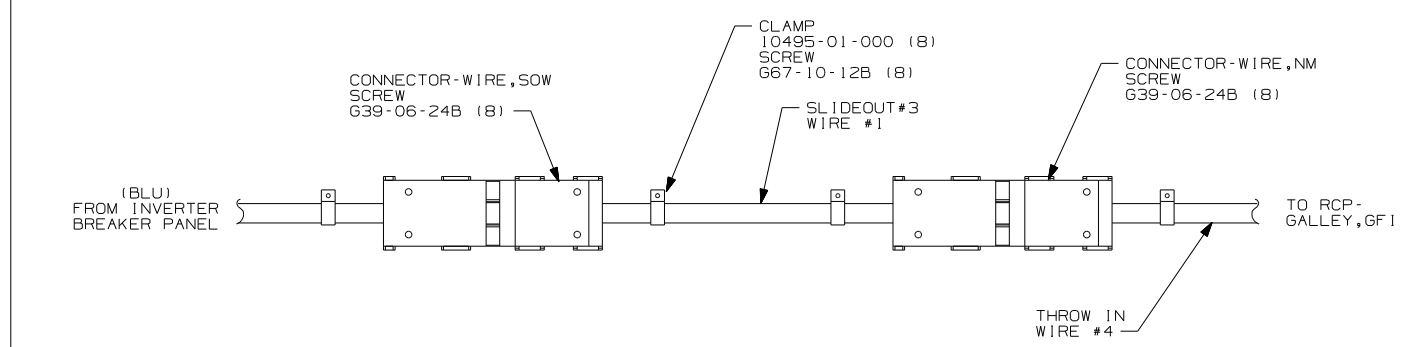
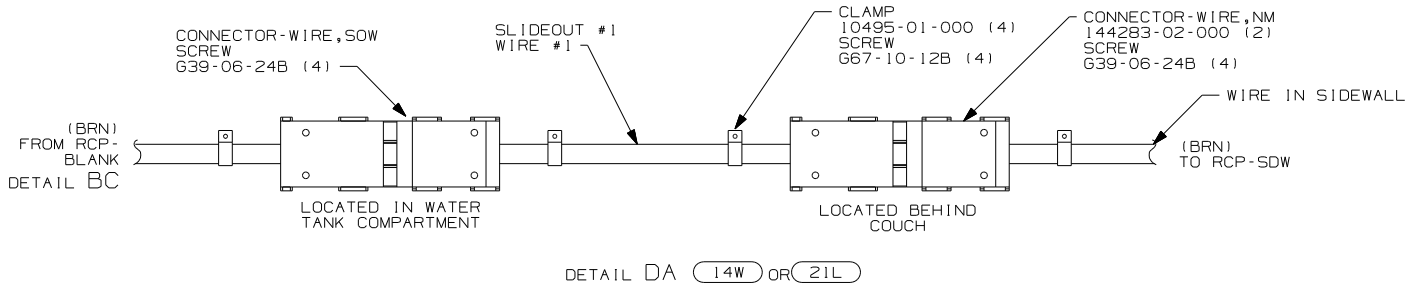
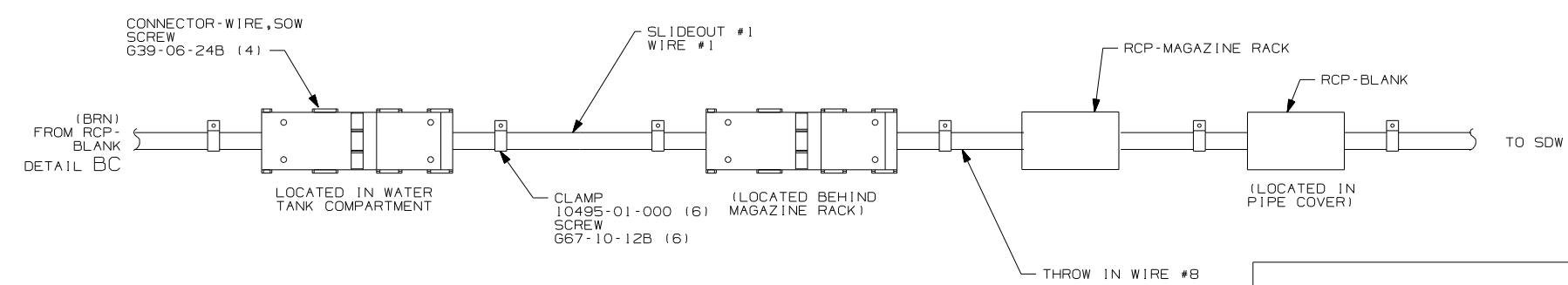
- (21M) WASHER/DRYER PREP
- (214) DISHWASHER DRAWER STYLE
- (10B) TV-LCD (REAR) EXCHANGE
- (265) CODES/STANDARDS-CSA/CMVSS
- (1B1) CODES/STANDARDS USA

- NOTES:
- 4 WIRE FROM SIDEWALL.
  - 3 WIRE PASSES THROUGH FLOOR AT THIS POINT.
  2. SEE WIRING DIAGRAM-BODY,12V FOR ADDITIONAL INFORMATION.
  1. ALL WIRES TO BE SECURED WITH CLAMP 10495 OR 10497 OR WIRE TIE 8343 OR 108046 EVERY 600MM, USE SCREW G67-XX-XXX OR G56-XX-XXX AS APPROPRIATE FOR INTALLATION.

FOR ELECTRICAL TORQUE SPECIFICATIONS SEE DWG NO. 128783-01-000

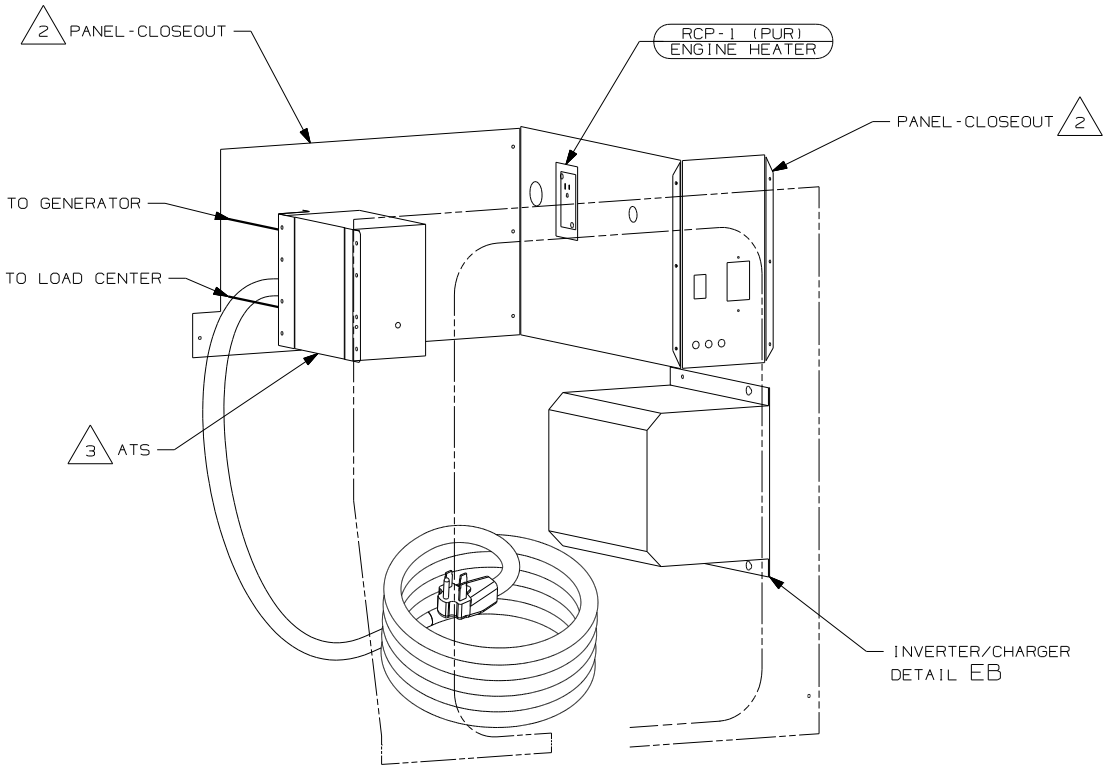
FOR ELECTRICAL CALLOUTS SEE DWG NO. 121339-01-000

FIRST USED	
06 R36LD	
DO NOT SCALE DRAWING	
TITLE: WIRING INSTL-BODY,110V	
SHEET 3	PART NO 155452

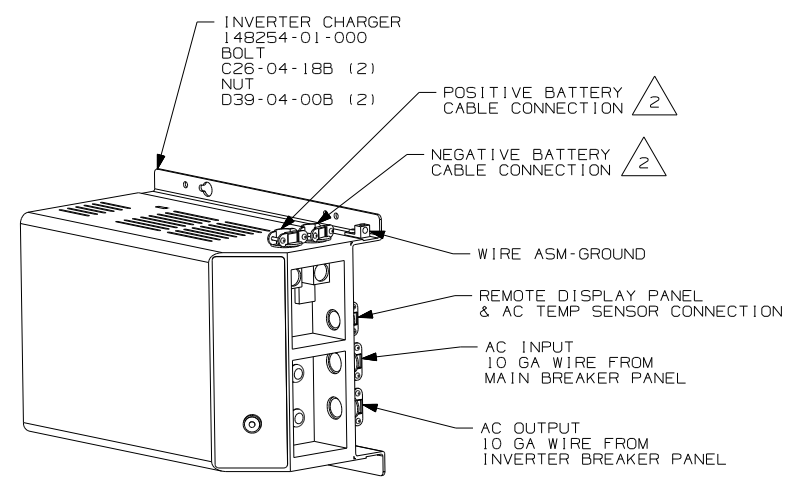


- (440) LOUNGE CHAIR WITH CABINET
- (214) DISHWASHER DRAWER STYLE
- (21L) DINING TABLE/CHAIRS
- (14W) DINETTE
- (14J) LOUNGE CHAIR-EURO ULTRALTHR
- (14D) LOUNGE CHAIR-EURO LEATHER
- (265) CODES/STANDARDS-CSA/CMVSS
- (1B1) CODES/STANDARDS USA

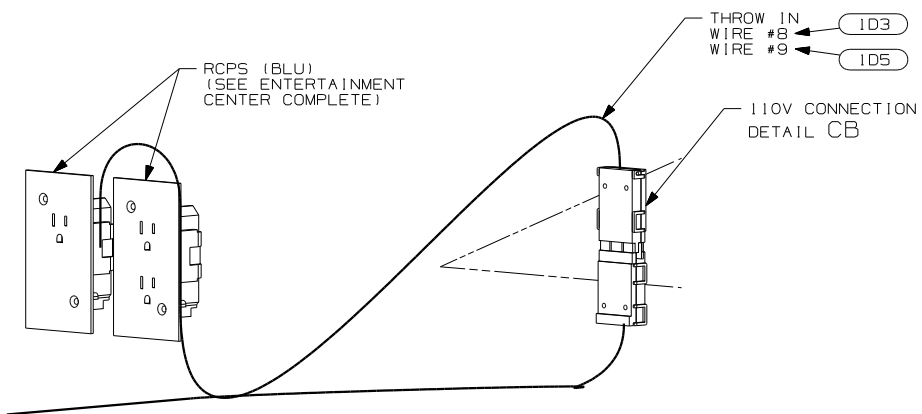
FIRST USED	06 R36LD
TITLE	DO NOT SCALE DRAWING
	WIRING INSTL-BODY, 110V
SHEET 4	PART NO 155452



VIEW EA (4)



DETAIL EB



DETAIL EC (1D5) (1D3)

- (4) PLUG POWER CORD REEL MOUNTING HOLES WITH PLUG-PLASTIC 81211-01-000 (4).
- (3) SEE LOAD CENTER/ATS ASM FOR ADDITIONAL INFORMATION.
- (2) SEE WIRING INSTL-CHASSIS FOR ADDITIONAL INFORMATION.

1. ALL WIRES TO BE SECURED WITH CLAMP 10495 OR 10497 OR WIRE TIE 8343 OR 108046 EVERY 600MM, USE SCREW G67-XX-XXX OR G56-XX-XXX AS APPROPRIATE FOR INTALLATION.

NOTES:

- (1D5) ENTERTAINMENT CENTR/EXT W/CD
- (1D3) ENTERTAIN CENTR/EXT TV-DVD
- (265) CODES/STANDARDS-CSA/CMVSS
- (1B1) CODES/STANDARDS USA

(1B1) (265)

FOR ELECTRICAL TORQUE SPECIFICATIONS SEE DWG NO. 128783-01-000

(X-X) FOR ELECTRICAL CALLOUTS SEE DWG NO. 121339-01-000

FIRST USED	06 R36LD
TITLE	DO NOT SCALE DRAWING
	WIRING INSTL-BODY, 110V
SHEET 5	PART NO 155452