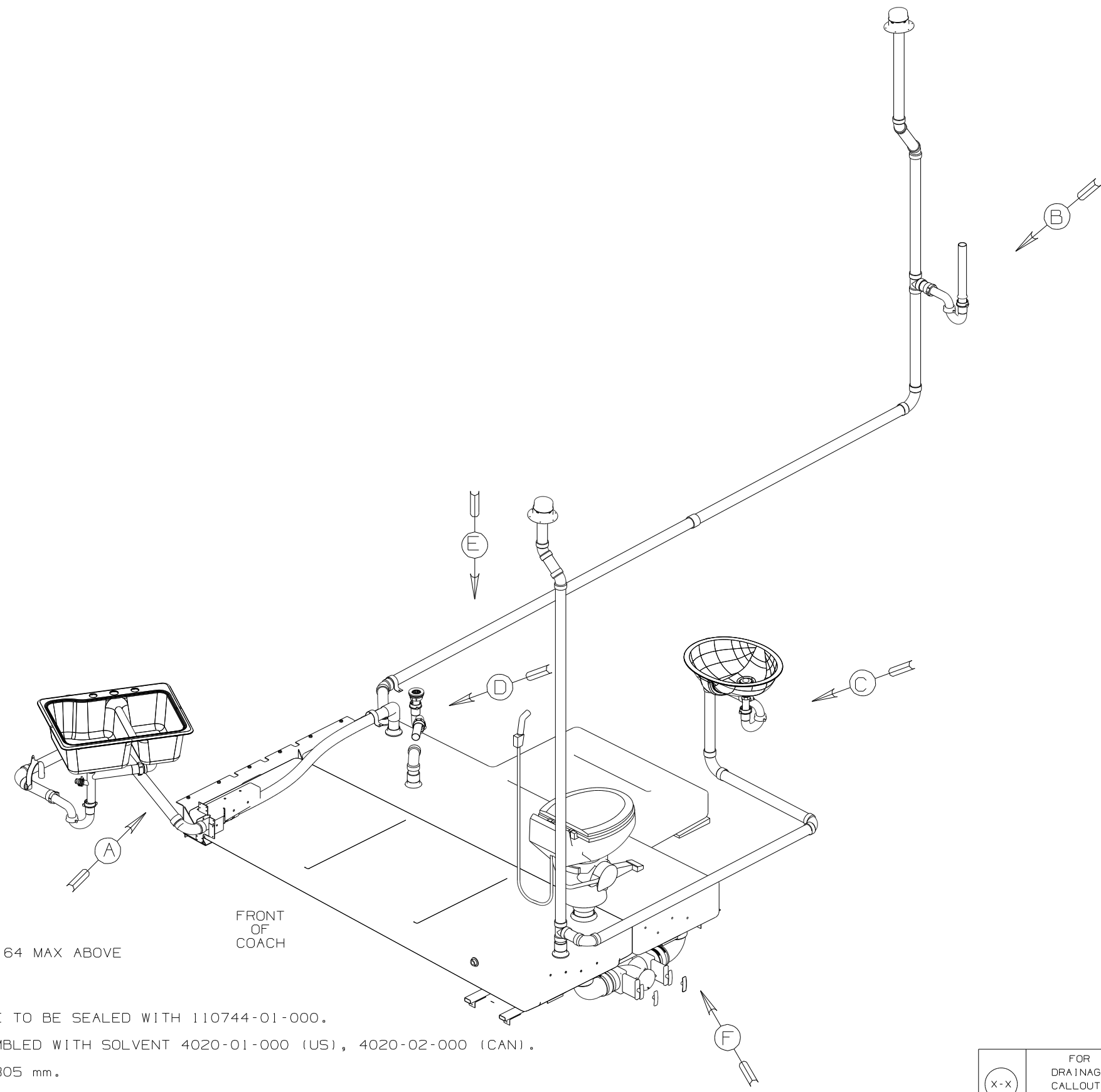


DWG NO	--
155221-01	(WIN)
155221-02	(ITA)

RELEASE	REV DATE	DWG NO
A		155221
REV ZONE	REVISION RECORD	DATE



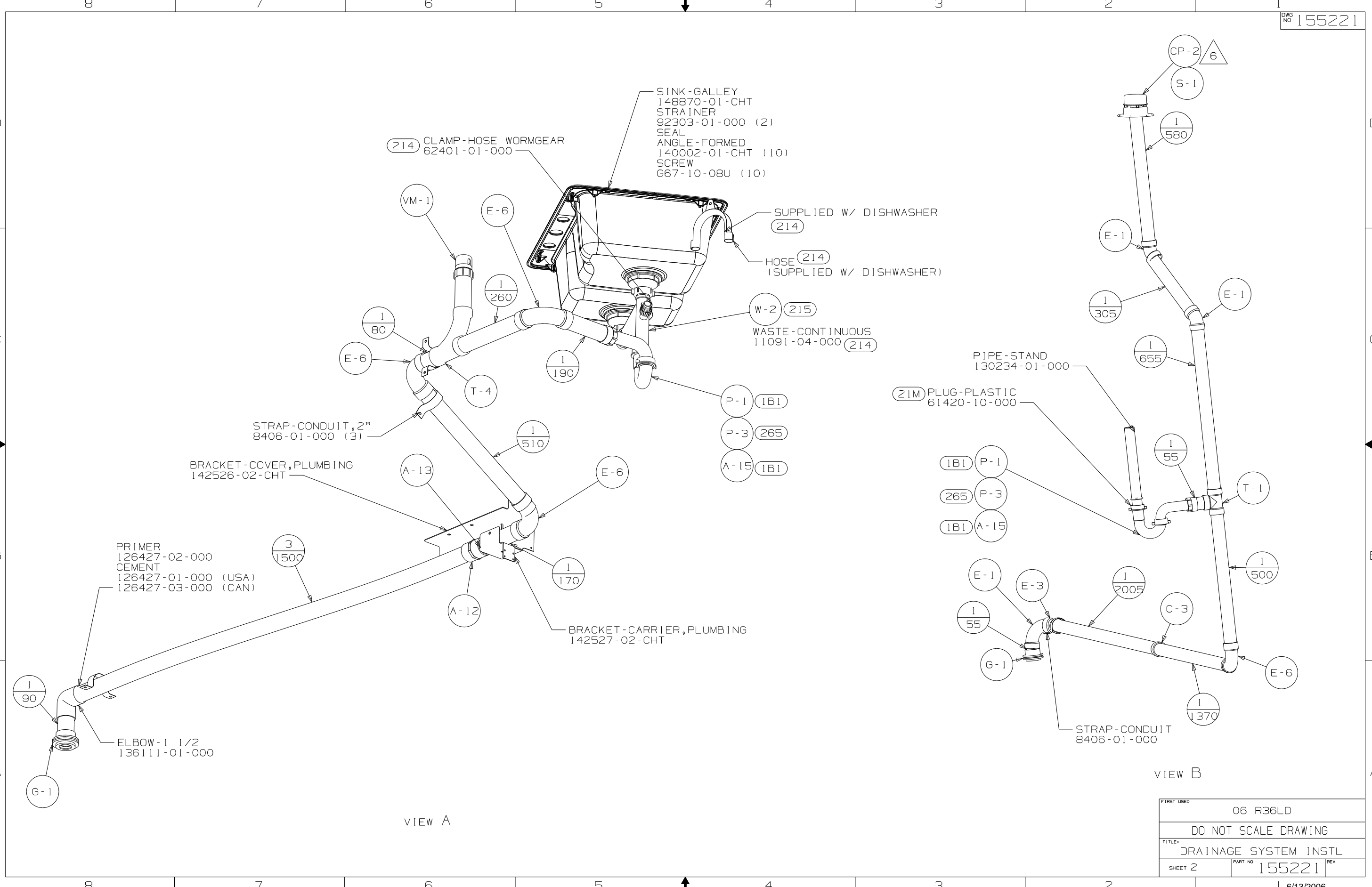
- (WIN) WINNEBAGO ONLY
- (ITA) ITASCA ONLY
- (IBI) CODES/STANDARDS USA
- (265) CODES/STDS-CSA, CMVSS
- (54E) WASHER DRYER
- (21M) WASHER/DRYER PREP
- (214) DISHWASHER/DRAWER STYLE
- (215) DISHWASHER WITHOUT
- (43W) CABINET-LAVATORY
- (43V) CABINET-CHEST OF DRAWERS
- (43Q) TOILET-PORCELAIN

- 6 VENT PIPE MUST PROJECT 51 MIN AND 64 MAX ABOVE ROOF FOR PROPER FIT AND FUNCTION.
5. SEAL AROUND SHOWER WITH SILICONE.
4. ALL EXTERIOR OPENINGS AROUND PIPE TO BE SEALED WITH 110744-01-000.
3. ALL PIPE AND FITTINGS TO BE ASSEMBLED WITH SOLVENT 4020-01-000 (US), 4020-02-000 (CAN).
2. SLOPE OF TRAP ARM MUST BE 6 PER 305 mm.
1. SLOPE OF HORIZONTAL PIPING TO BE MIN 3 PER 305 mm.

NOTES:

(X-X)
FOR DRAINAGE CALLOUTS SEE DWG NO 116229-01-000

WINNEBAGO		COPYRIGHT 2006 WINNEBAGO INDUSTRIES, INC.	
DFT	ORIG. DATE	ALL DIMENSIONS ARE IN MILLIMETERS	
CHKR		FIRST USED	
P.E.		06 R36LD	
M.E.		UNSPECIFIED TOLERANCES ARE:	
DSNR		MATERIAL:	
		WHOLE DIM (X)	: 3
		ONE-PLACE (X.X)	: 1.5
		TWO-PLACE (X.XX)	: 0.50
		ANGLE	: 1°
THIRD ANGLE PROJECTION		DO NOT SCALE DRAWING	
TITLE: DRAINAGE SYSTEM INSTL			
SHEET 1 OF 4	PART NO	155221	REV
REF:	1 6/13/2006		



SINK-GALLEY
 148870-01-CHT
 STRAINER
 92303-01-000 (2)
 SEAL
 ANGLE-FORMED
 140002-01-CHT (10)
 SCREW
 G67-10-08U (10)

(214) CLAMP-HOSE WORMGEAR
 62401-01-000

SUPPLIED W/ DISHWASHER
 (214)

HOSE (214)
 (SUPPLIED W/ DISHWASHER)

W-2 (215)
 WASTE-CONTINUOUS
 11091-04-000 (214)

PIPE-STAND
 130234-01-000

(21M) PLUG-PLASTIC
 61420-10-000

STRAP-CONDUIT, 2"
 8406-01-000 (3)

BRACKET-COVER, PLUMBING
 142526-02-CHT

PRIMER
 126427-02-000
 CEMENT
 126427-01-000 (USA)
 126427-03-000 (CAN)

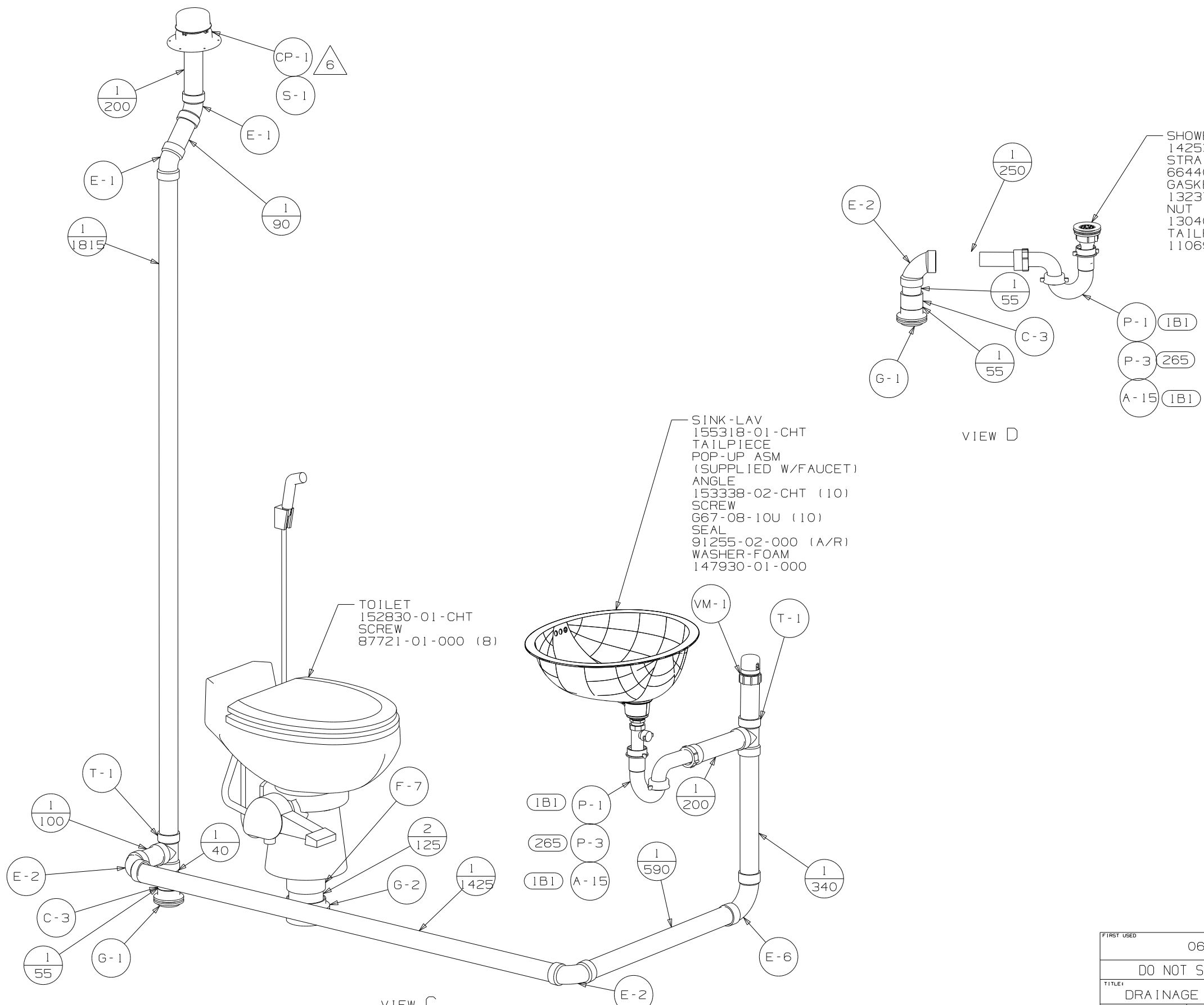
BRACKET-CARRIER, PLUMBING
 142527-02-CHT

ELBOW-1 1/2
 136111-01-000

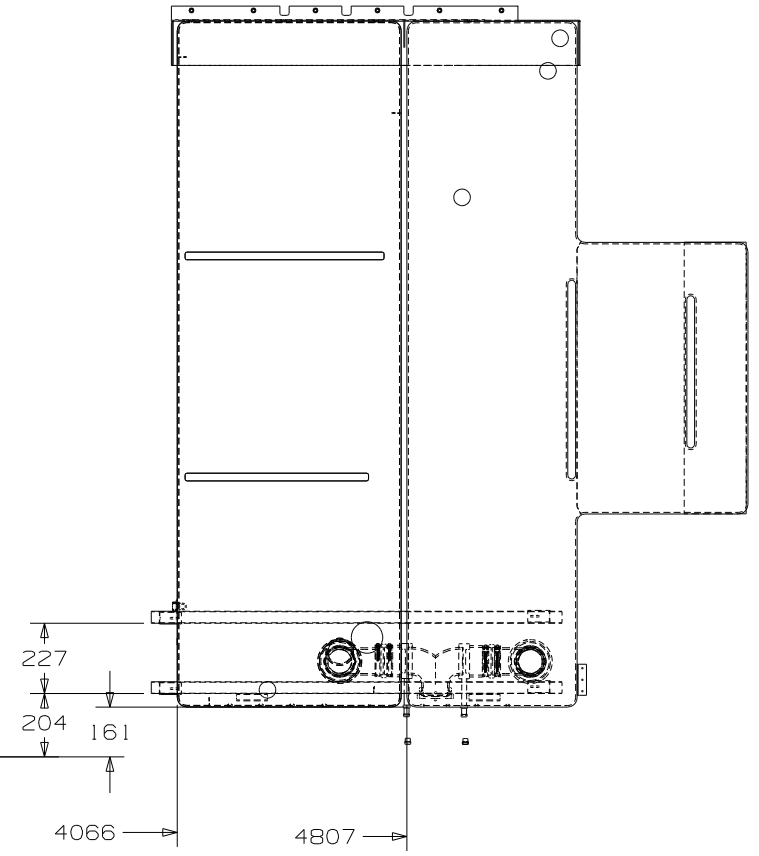
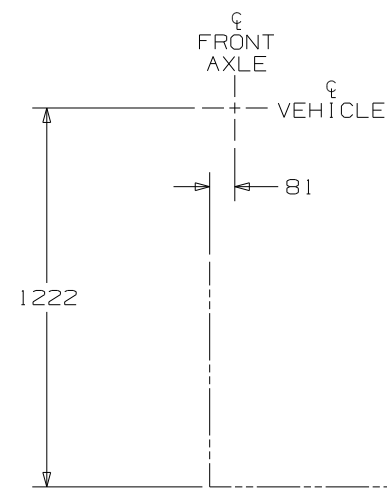
VIEW A

VIEW B

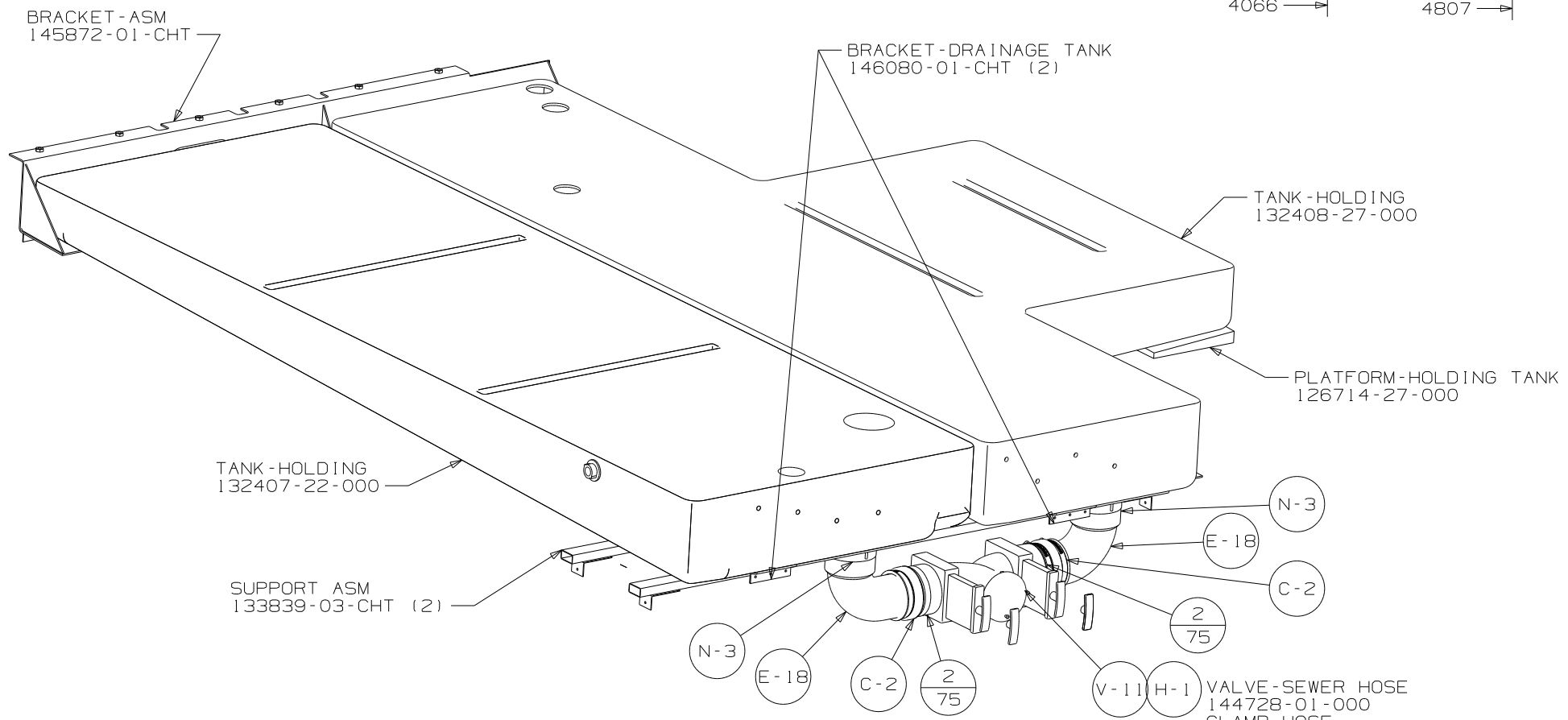
FIRST USED	06 R36LD		
TITLE	DO NOT SCALE DRAWING		
	DRAINAGE SYSTEM INSTL		
SHEET 2	PART NO	155221	REV



FIRST USED	06 R36LD	
TITLE	DO NOT SCALE DRAWING	
SHEET 3	PART NO	155221
	REV	



VIEW E

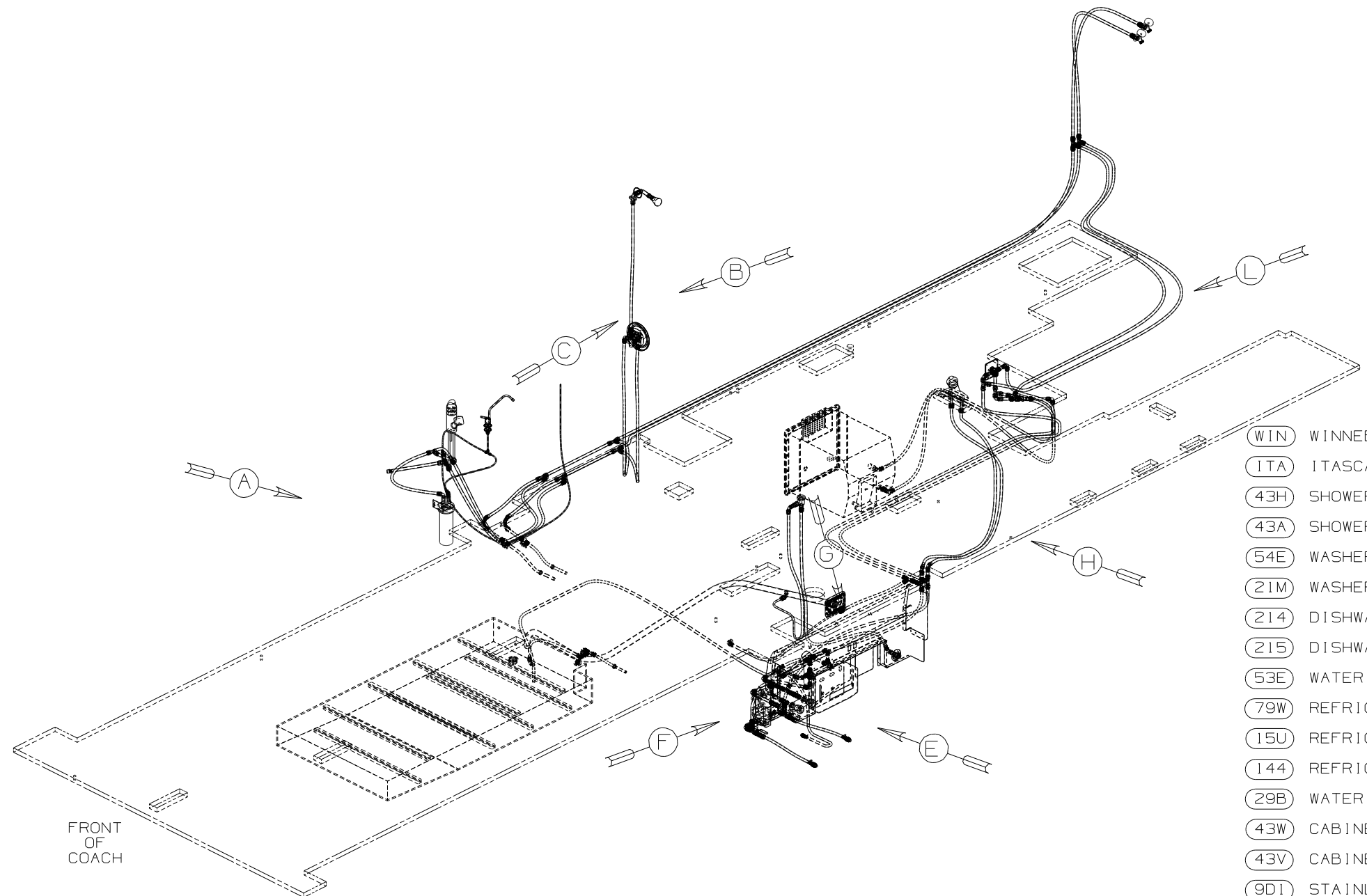


VIEW F

FIRST USED	06 R36LD	
TITLE	DO NOT SCALE DRAWING	
	DRAINAGE SYSTEM INSTL	
SHEET 4	PART NO 155221	REV

DWG NO	----
155976-01	(WIN)
155976-02	(ITA)

RELEASE	REV DATE	DWG NO
A		155976
REV ZONE	REVISION RECORD	DATE DFR-ORIG



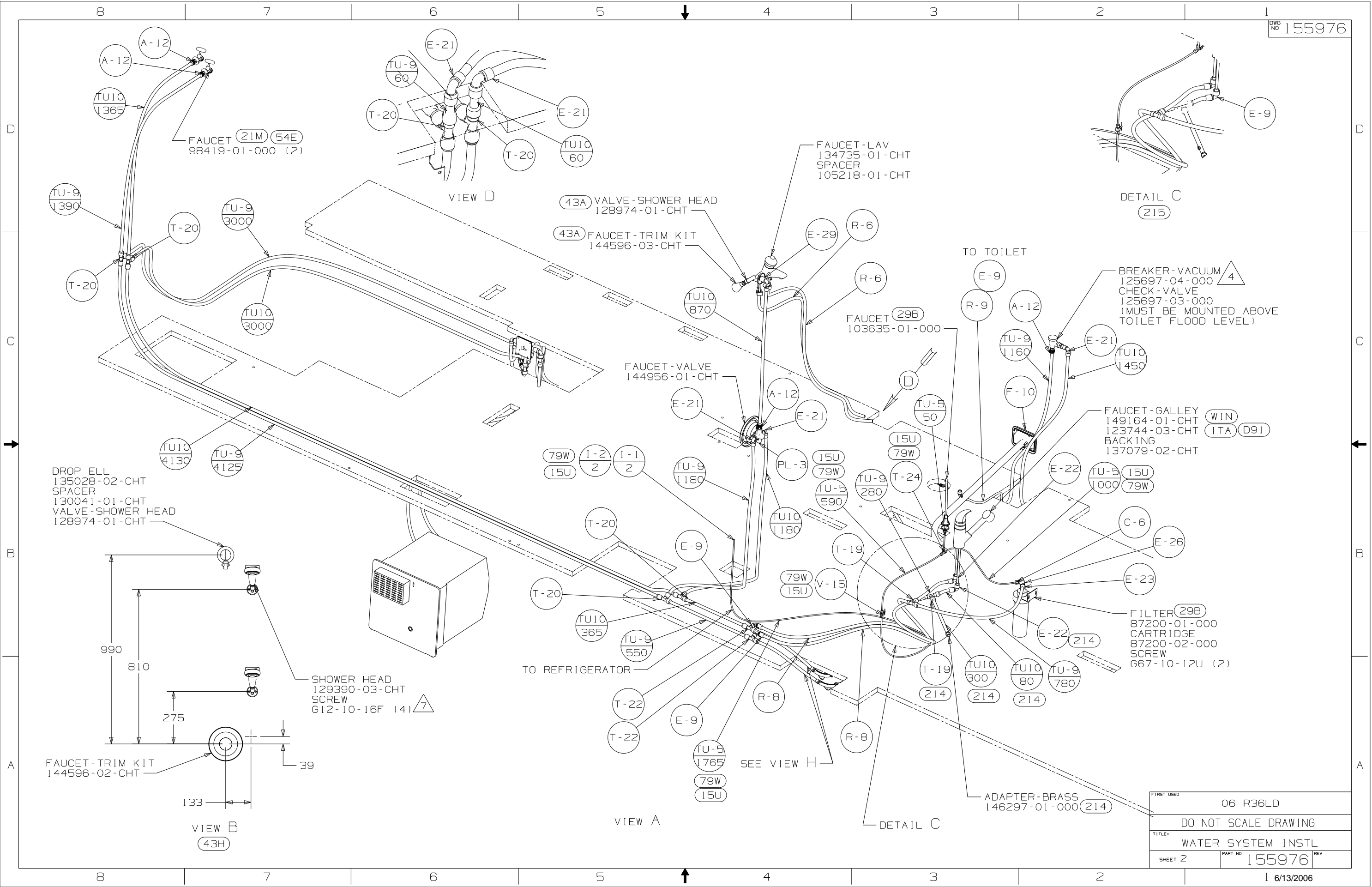
- (WIN) WINNEBAGO ONLY
- (ITA) ITASCA ONLY
- (43H) SHOWER HEAD-HAND HELD
- (43A) SHOWER HEAD-FIXED
- (54E) WASHER/DRYER
- (21M) WASHER/DRYER PREP
- (214) DISHWASHER-DRAWER STYLE
- (215) DISHWASHER WITHOUT
- (53E) WATER SYSTEM WINTERIZATION PKG
- (79W) REFRIGERATOR-4 DR W/ICEMAKER
- (15U) REFRIGERATOR DBL DR W/ICEMAKER
- (144) REFRIGERATOR-LG DBL DR
- (29B) WATER PURIFICATION SYSTEM
- (43W) CABINET-LAVATORY
- (43V) CABINET-CHEST OF DRAWERS
- (9DI) STAINLESS STEEL APPLIANCE PKG

- 7 USED IN PLACE OF SUPPLIED SCREWS TO ATTACH BRACKET TO WALL.
 - 6 ADD TEFLON TAPE 10405-01-000.
 - 5 ADD TEFLON TAPE 10405-02-000.
 - 4 ADD TEFLON TAPE 10405-03-000.
3. ALL TUBING TO BE SECURED AT 1200 INTERVALS MAXIMUM WITH CLAMP 10495-01-000 OR CLIP 9151-01-000 AND SCREW G67-10-12B.
 2. TUBING TO BE INSTALLED WITH SUFFICIENT SLOPE TO PROVIDE DRAINAGE TO NEAREST VALVE.
 1. PLASTIC FITTINGS TO BE SEALED WITH SEALANT 84456-01-000.

NOTES:

(X-X)
FOR WATER CALLOUTS SEE DWG NO 116230-01-000

WINNEBAGO		COPYRIGHT 2006 WINNEBAGO INDUSTRIES, INC.	
DFTR	ORIG. DATE	ALL DIMENSIONS ARE IN MILLIMETERS	
CHKR		FIRST USED	
P.E.		06 R36LD	
M.E.		UNSPECIFIED TOLERANCES ARE:	
DSNR		MATERIAL:	
		WHOLE DIM (X)	: 3
		ONE-PLACE (X.X)	: 1.5
		TWO-PLACE (X.XX)	: 0.50
		ANGLE	: 1°
THIRD ANGLE PROJECTION		DO NOT SCALE DRAWING	
TITLE: WATER SYSTEM INSTL			
SHEET 1 OF 5	PART NO	155976	REV
REF	1 6/13/2006		



FAUCET (21M) (54E)
98419-01-000 (2)

VIEW D

FAUCET-LAV
134735-01-CHT
SPACER
105218-01-CHT

DETAIL C
(215)

(43A) VALVE-SHOWER HEAD
128974-01-CHT

(43A) FAUCET-TRIM KIT
144596-03-CHT

FAUCET (29B)
103635-01-000

BREAKER-VACUUM
125697-04-000
CHECK-VALVE
125697-03-000
(MUST BE MOUNTED ABOVE
TOILET FLOOD LEVEL)

FAUCET-VALVE
144956-01-CHT

FAUCET-GALLEY
149164-01-CHT (WIN)
123744-03-CHT (ITA) (D91)
BACKING
137079-02-CHT

DROP ELL
135028-02-CHT
SPACER
130041-01-CHT
VALVE-SHOWER HEAD
128974-01-CHT

SHOWER HEAD
129390-03-CHT
SCREW
G12-10-16F (4) (7)

FILTER (29B)
87200-01-000
CARTRIDGE
87200-02-000
SCREW
G67-10-12U (2)

FAUCET-TRIM KIT
144596-02-CHT

ADAPTER-BRASS
146297-01-000 (214)

VIEW B
(43H)

VIEW A

DETAIL C

FIRST USED	06 R36LD	
TITLE	DO NOT SCALE DRAWING	
TITLE	WATER SYSTEM INSTL	
SHEET 2	PART NO	155976 REV

SERVICE CENTER
145207-07-XXX

INLET-FLUSHING SYSTEM
125697-05-000

VIEW E

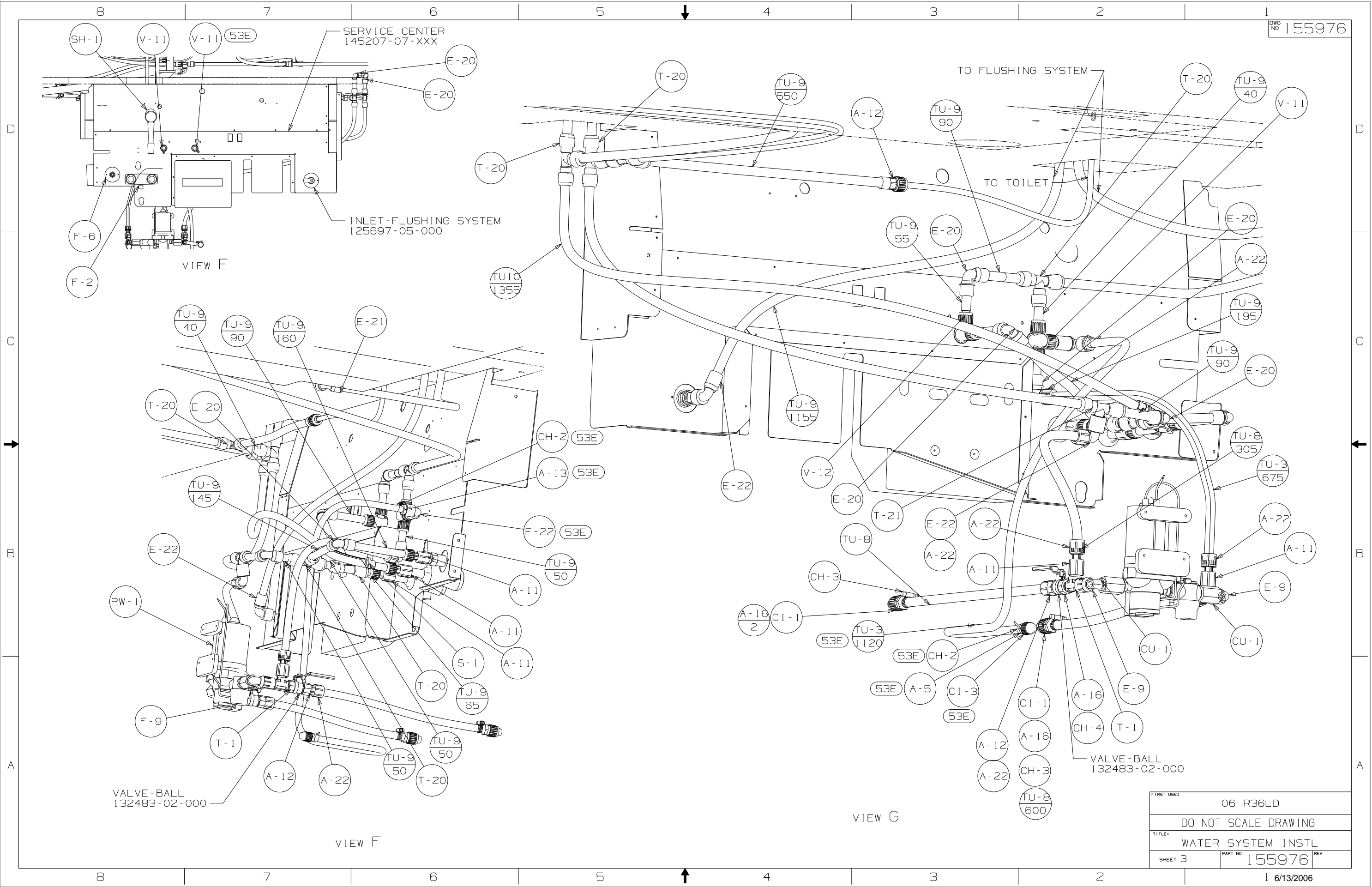
VALVE-BALL
132483-02-000

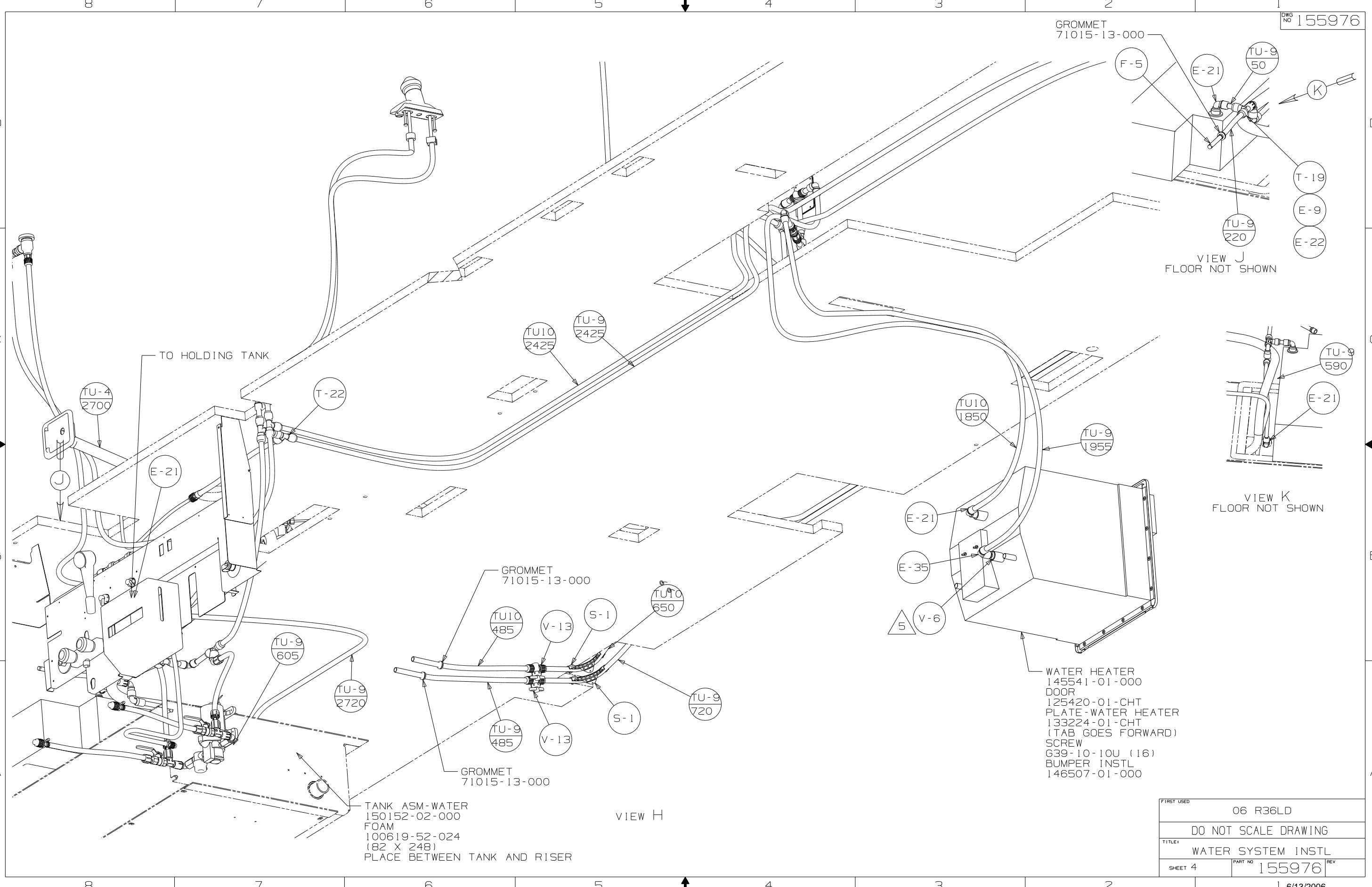
VALVE-BALL
132483-02-000

VIEW G

VIEW F

FIRST USED	06 R36LD	
TITLE:	DO NOT SCALE DRAWING	
TITLE:	WATER SYSTEM INSTL	
SHEET 3	PART NO	155976
		REV





GROMMET 71015-13-000

VIEW J
FLOOR NOT SHOWN

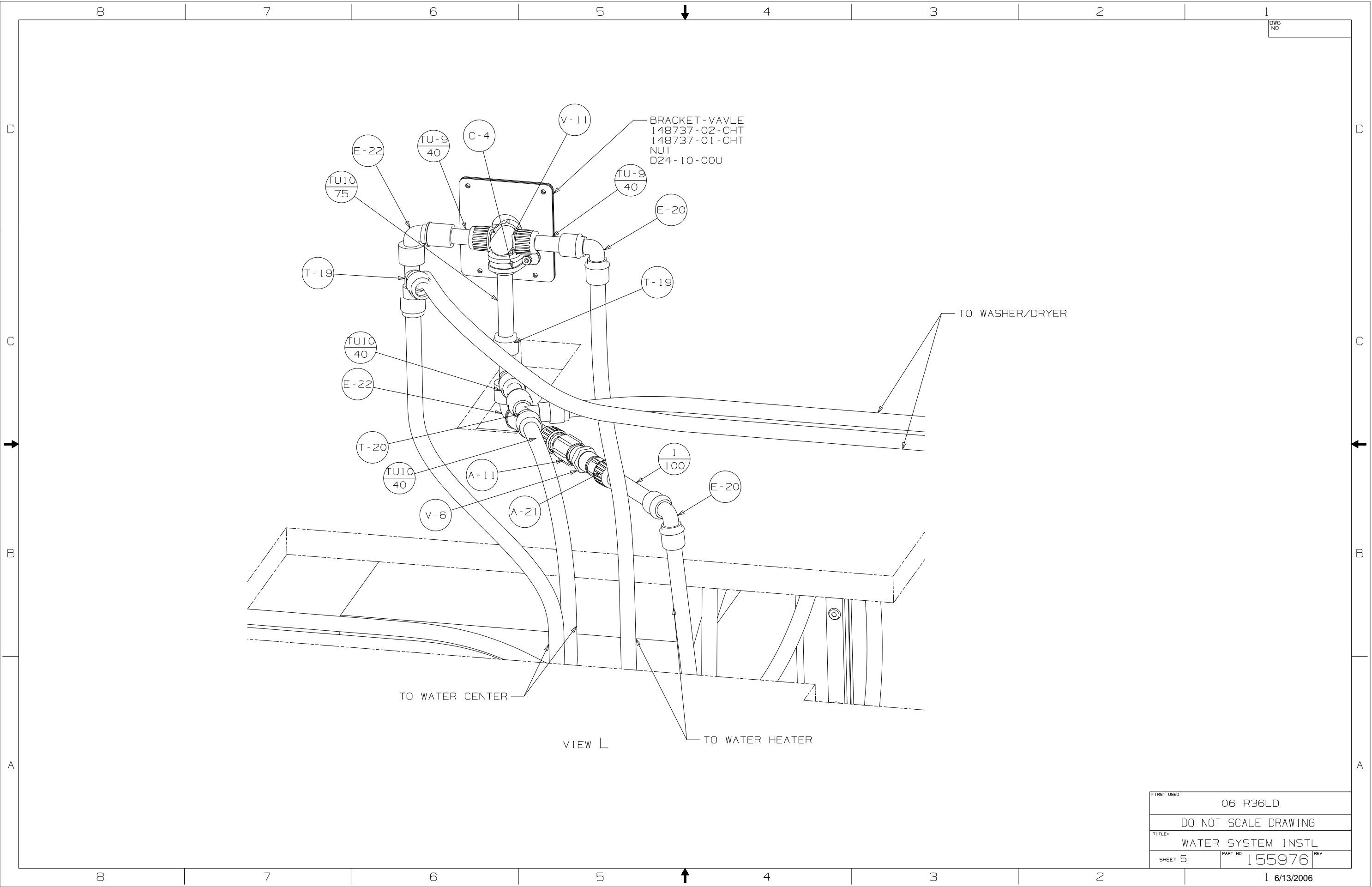
VIEW K
FLOOR NOT SHOWN

- WATER HEATER 145541-01-000
- DOOR 125420-01-CHT
- PLATE-WATER HEATER 133224-01-CHT (TAB GOES FORWARD)
- SCREW G39-10-10U (16)
- BUMPER INSTL 146507-01-000

TANK ASM-WATER
150152-02-000
FOAM
100619-52-024
(82 X 248)
PLACE BETWEEN TANK AND RISER

VIEW H

FIRST USED	06 R36LD	
TITLE	DO NOT SCALE DRAWING	
TITLE	WATER SYSTEM INSTL	
SHEET 4	PART NO	155976
	REV	1



BRACKET-VAVLE
 148737-02-CHT
 148737-01-CHT
 NUT
 D24-10-00U

TO WATER CENTER

VIEW L

TO WATER HEATER

TO WASHER/DRYER

FIRST USED	06 R36LD	
TITLE	DO NOT SCALE DRAWING	
SHEET 5	PART NO	155976
	REV	1

1 6/13/2006