



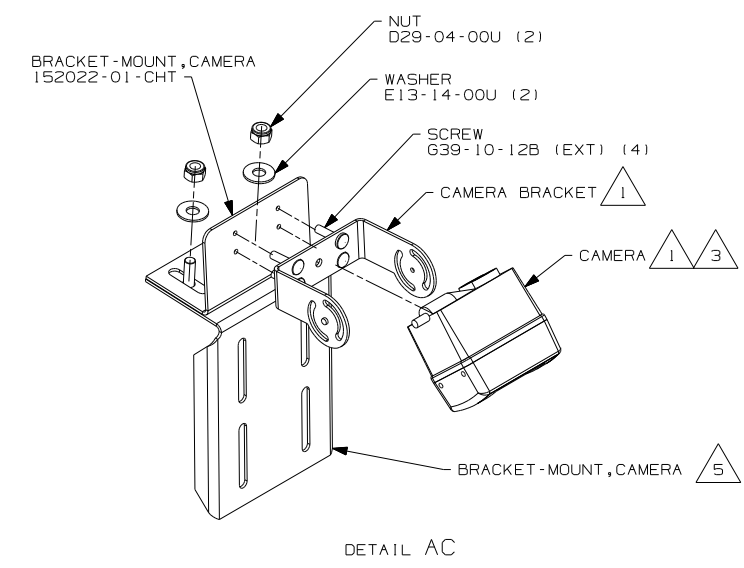
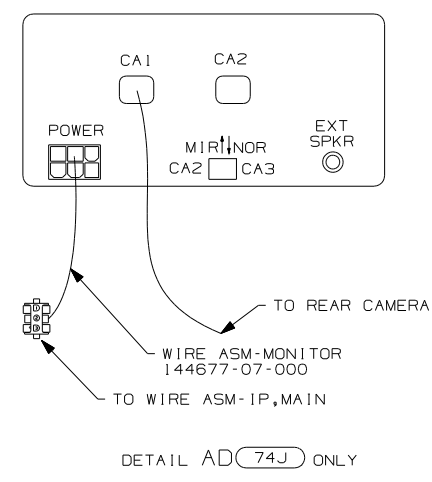
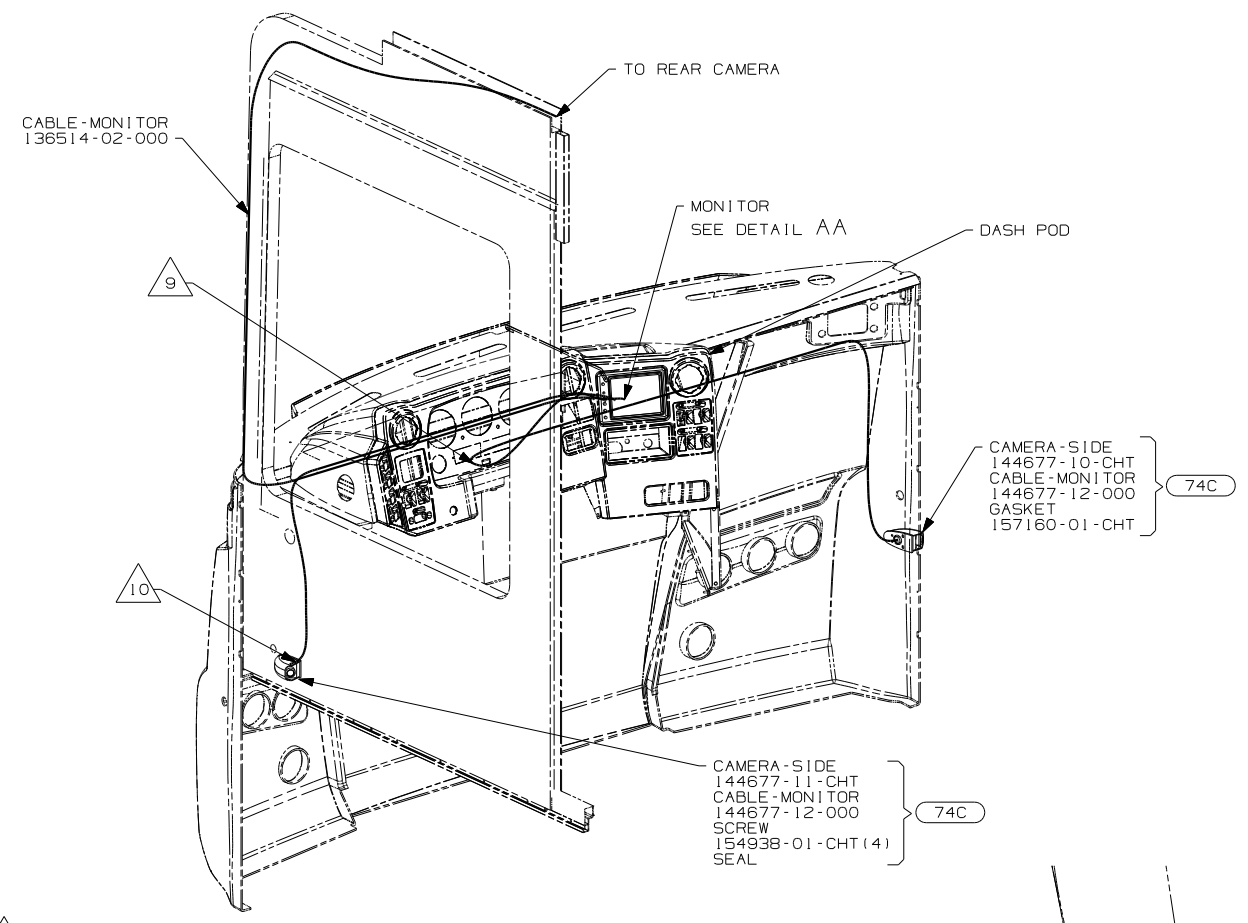
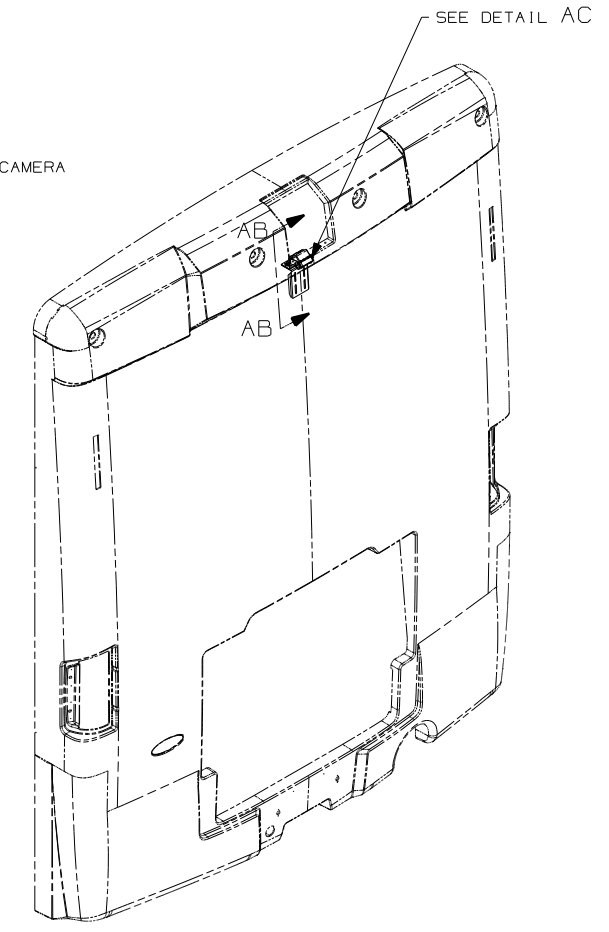
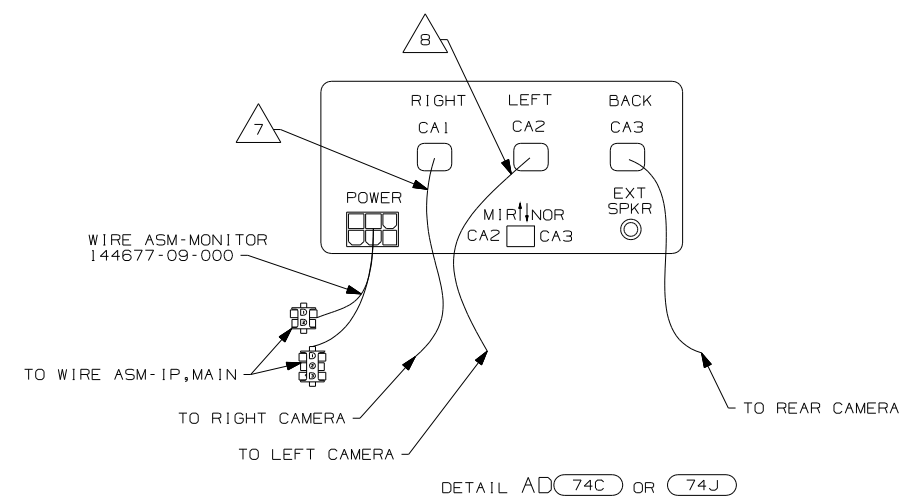
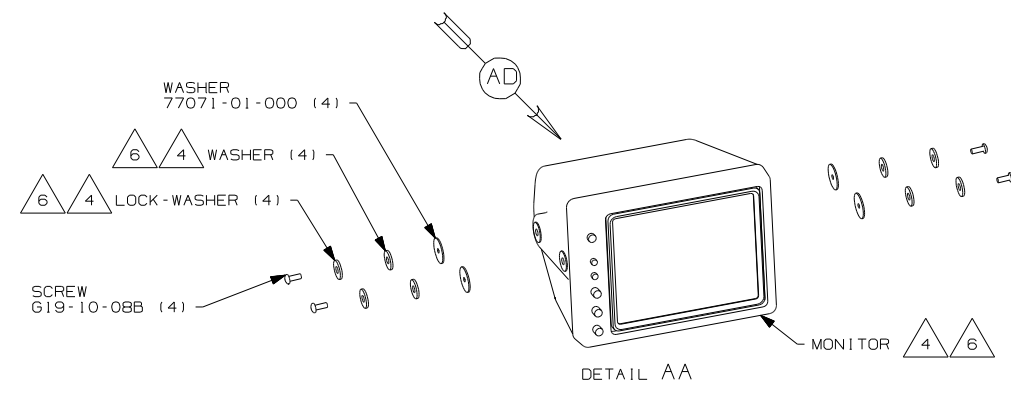
DANGER

Danger of electrical shock, burns or death. Always remove all power sources before attempting any repair, service or diagnostic work. Power can be present from shore power, generator, inverter or battery. All power sources must be disabled and secured before performing any service.

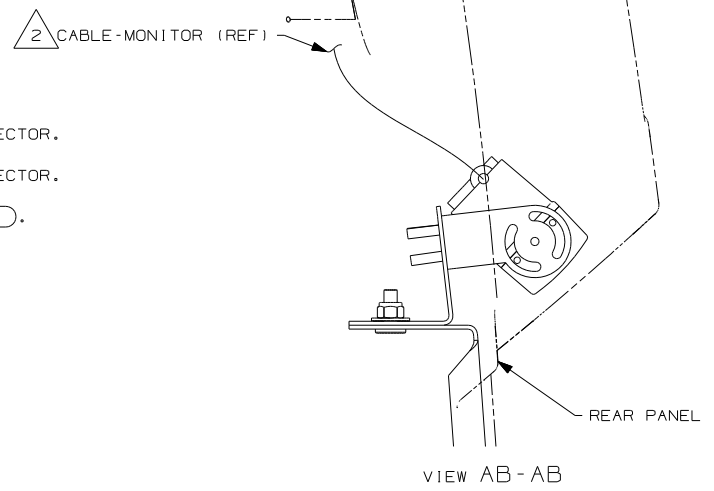


CAUTION

If you lack the skills, tools or equipment to perform diagnostic or repair work leave such work to an authorized Winnebago Industries dealer or other qualified shop.



- NOTES:
- 10 CONNECT CAMERA THRU HOLE IN SIDEWALL, PUSH CONNECTOR BACK THRU SIDEWALL & SEAL HOLE.
 - 9 ROUTE CABLE TO EXTERIOR THRU HOLE IN PANEL ALONG WITH HEATER WIRING TO RIGHT CAMERA.
 - 8 MARK LEFT CABLE WITH YELLOW TAPE 900000-07-000 NEXT TO CONNECTOR.
 - 7 MARK RIGHT CABLE WITH WHITE TAPE 900000-08-000 NEXT TO CONNECTOR.
 - 6 PARTS SUPPLIED WITH MONITOR P/N 144677-08-000 (74C) & (74J).
 - 5 BRACKET IS PART OF PANEL-REAR CAP.
 - 4 PARTS SUPPLIED WITH MONITOR P/N: 144677-06-000 (74J) ONLY.
 - 3 ALIGN CAMERA IN CENTER OF SHROUD OPENING AND ADJUST SO BACKWALL IS JUST VISIBLE.
 - 2 RUN CABLE THRU LEFT HAND COVE TO FRONT OF UNIT AND DOWN LEFT A-PILLAR TO MONITOR.
 - 1 PARTS SUPPLIED WITH REAR CAMERA P/N: 144677-04-000. (74J)



- (74J) REARVIEW MONITOR SYSTEM
- (74C) VIDEO CAMERA SYSTEM
- (74J)

WINNEBAGO		COPYRIGHT 2004 WINNEBAGO INDUSTRIES, INC.	
DFTR	ORIG. DATE	ALL DIMENSIONS ARE IN MILLIMETERS	
CHKR		FIRST USED	
P.E.		06 R-SERIES	
M.E.		UNSPECIFIED TOLERANCES ARE:	
DSNR		MATERIAL:	
		WHOLE DIM (X)	1
		ONE-PLACE (X.X)	
		TWO-PLACE (X.XX)	
		ANGLE	
		THIRD ANGLE PROJECTION	
DO NOT SCALE DRAWING			
TITLE: MONITOR INSTL			
SHEET 1 OF 1	PART NO	152129	
REF:	1 8/10/2005		