



**DANGER**

**Danger of electrical shock, burns or death.** Always remove all power sources before attempting any repair, service or diagnostic work. Power can be present from shore power, generator, inverter or battery. All power sources must be disabled and secured before performing any service.

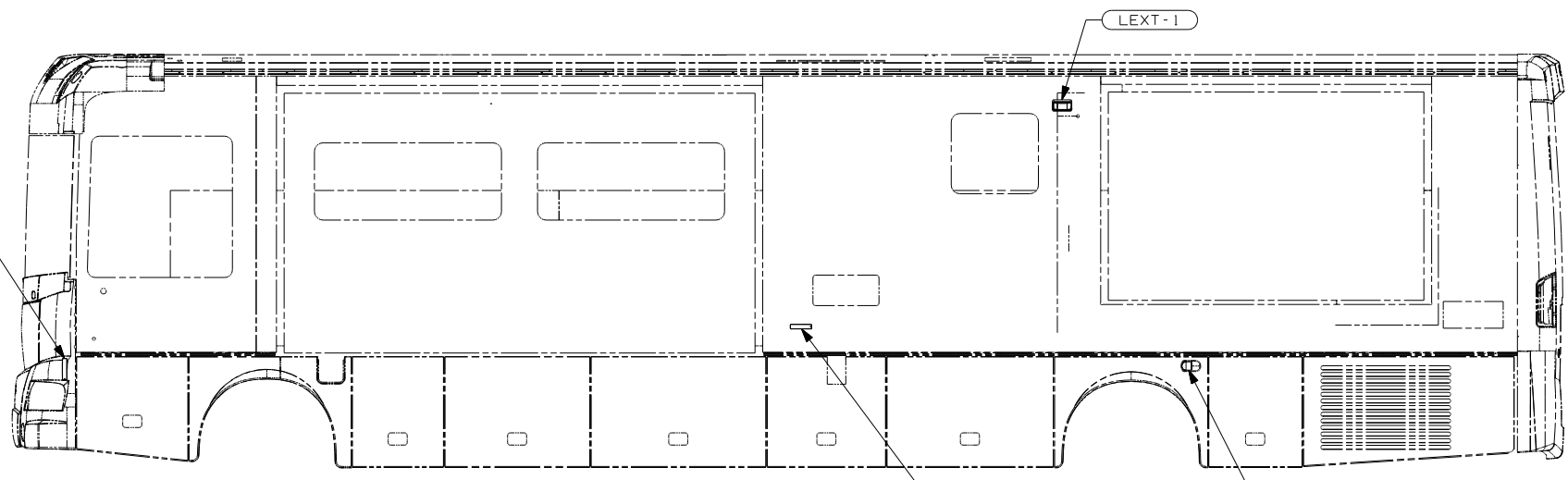


**CAUTION**

If you lack the skills, tools or equipment to perform diagnostic or repair work leave such work to an authorized Winnebago Industries dealer or other qualified shop.

DRAWING NO.	
152107-01	(WIN)
152107-02	(ITA)

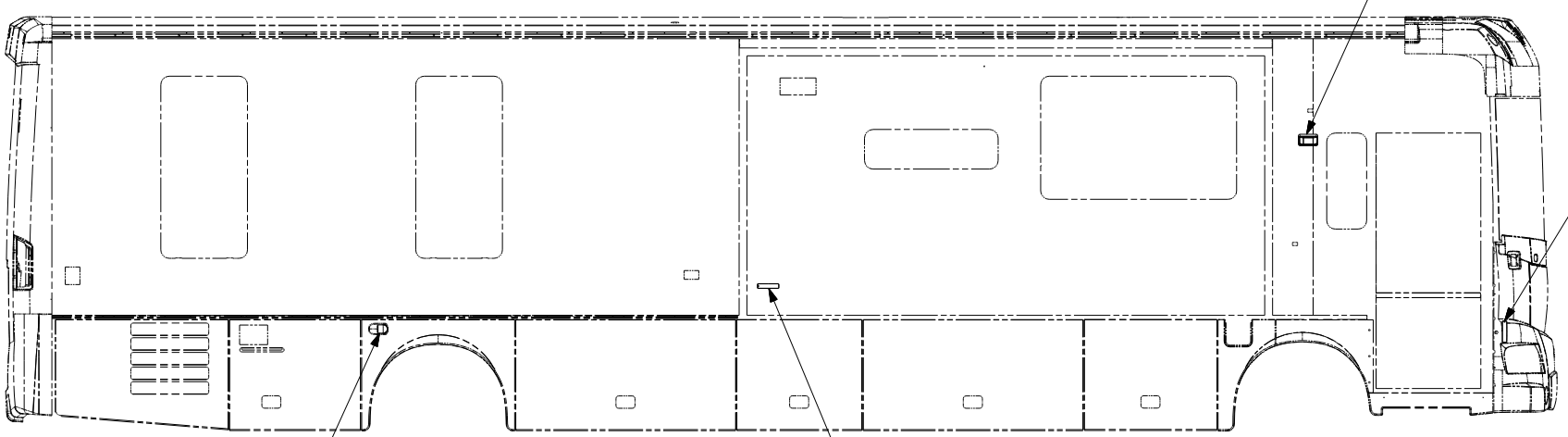
RELEASE	REV DATE	DWG NO
A		152107
REV ZONE	REVISION RECORD	DATE



(WIN) LAMP-MARKER, AMBER  
117826-02-000  
GASKET-MARKER LIGHT  
117826-03-000  
BULB  
36196-01-000  
SCREW  
G11-08-12U (EXT) (2)

LAMP-MARKER, BASE  
111102-01-000  
LAMP-MARKER, LENS, AMBER  
111102-02-000  
SCREW  
G11-08-12U (EXT) (2)  
CONNECTOR  
58028-01-000 (4)

LAMP ASM-AUXILLARY  
129746-01-000  
NUT  
40921-05-000 (2)  
SCREW  
G39-08-10U (EXT) (3)  
SHIM-STRIKER  
120494-03-CHT (A/R)



LAMP ASM-AUXILLARY  
129746-01-000  
NUT  
40921-05-000 (2)  
SCREW  
G39-08-10U (EXT) (3)  
SHIM-STRIKER  
120494-03-CHT (A/R)

LAMP-MARKER, BASE  
111102-01-000  
LAMP-MARKER, LENS, AMBER  
111102-02-000  
SCREW  
G11-08-12U (EXT) (2)  
CONNECTOR  
58028-01-000 (4)

(WIN) LAMP-MARKER, AMBER  
117826-02-000  
GASKET-MARKER LIGHT  
117826-03-000  
BULB  
36196-01-000  
SCREW  
G11-08-12U (EXT) (2)

- (ITA) ITASCA ONLY
  - (WIN) WINNEBAGO ONLY
  - (265) CODES/STANDARDS-CSA/CMVSS
  - (1B1) CODES/STANDARDS USA
- (1B1) (265)



DFT	ORIG. DATE
CHKR	ALL DIMENSIONS ARE IN MILLIMETERS
P.E.	
M.E.	FIRST USED
DSNR	06 R-SERIES
UNSPECIFIED TOLERANCES ARE:	MATERIAL:
HOLE DIM (X) :	.
ONE-PLACE (X.X) :	.
TWO-PLACE (X.XX) :	.
ANGLE :	.
THIRD ANGLE PROJECTION	

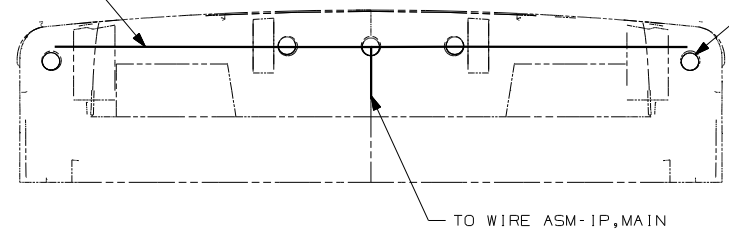
FOR ELECTRICAL TORQUE SPECIFICATIONS SEE DWG NO. 128783-01-000

(X-X) FOR ELECTRICAL CALLOUTS SEE DWG NO. 121339-01-000

DO NOT SCALE DRAWING  
TITLE: WIRING INSTL-EXTERIOR LAMPS  
SHEET 1 of 3 PART NO 152107

WIRE ASM-CLEARANCE LAMPS  
126486-04-000

LAMP ASM-CLEARANCE, AMBER  
138996-01-000 (5)  
BRACKET-LAMP CLEARANCE  
138996-03-000 (5)  
SCREW  
G11-06-08T (10)



TO WIRE ASM-IP,MAIN

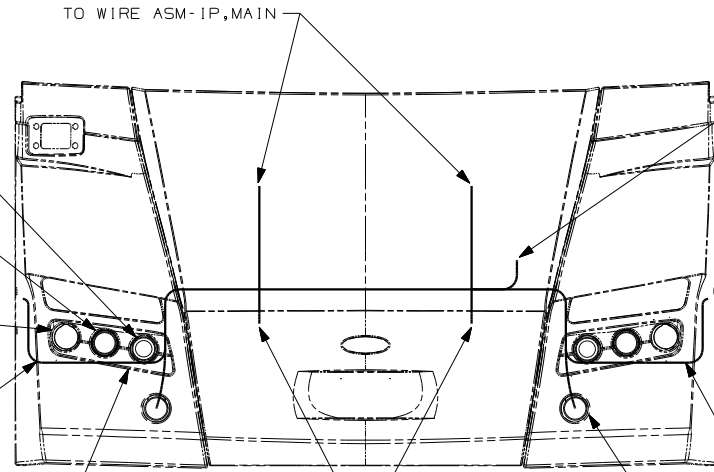
2 HEADLAMP ASM-HIGH  
146527-02-000 (2)  
SCREW  
G11-08-06B (8)

1 HEADLAMP ASM-LOW  
146527-01-000 (2)  
SCREW  
G11-08-06B (8)

HEADLAMP ASM-PARK/TURN  
146560-01-000 (2)  
BULB  
112708-02-000 (2)  
NUT  
76327-01-000 (6)

WIRE ASM-HEADLAMP,RIGHT  
146086-10-000

SUPPORT ASM-HEADLAMP  
152430-01-000  
152430-02-000  
BOLT  
C26-04-08B (8)



TO WIRE ASM-IP,MAIN

TO AIR TANK VALVE

TO CHASSIS WIRING

WIN

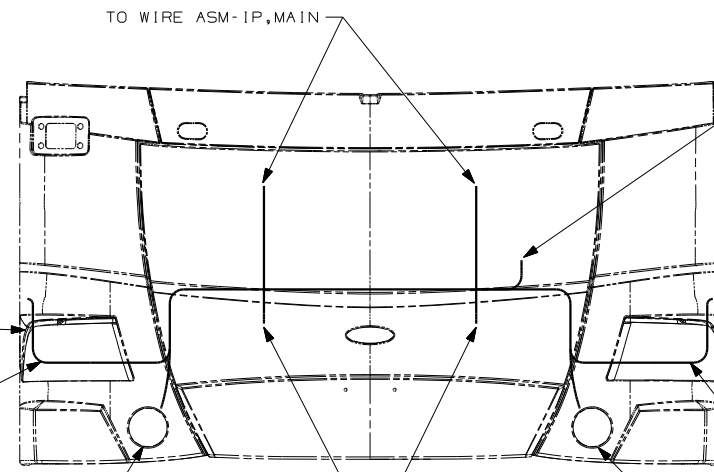
WIRE ASM-HEADLAMP,LEFT  
146086-09-000

LAMP ASM-FOG  
151421-01-000 (2)  
BOLT  
C26-14-18B (4)  
NUT  
D39-04-00B (4)  
ANGLE-MOUNT  
139686-01-CHT  
(2)  
BOLT  
C26-04-18B (4)

HEADLAMP ASM-PARK/TURN  
153171-01-000  
BOLT  
C26-06-12U (3)

WIRE ASM-HEADLAMP  
146086-12-000

LAMP ASM-FOG,RIGHT  
153193-01-000



TO WIRE ASM-IP,MAIN

TO AIR TANK VALVE

TO CHASSIS WIRING

ITA

WIRE ASM-HEADLAMP  
146086-11-000

LAMP ASM-FOG,LEFT  
153193-02-000

- ITA ITASCA ONLY
- WIN WINNEBAGO ONLY
- 265 CODES/STANDARDS-CSA/CMVSS
- 1B1 CODES/STANDARDS USA

1B1 265

2 THE 2 PIN HOUSING WITH CIRCUITS NB & DDM, FOR THE RIGHT SIDE, AND NB & DDL FOR THE LEFT SIDE IS TO BE PLUGGED INTO THE INBOARD HIGH BEAM HEADLAMP.

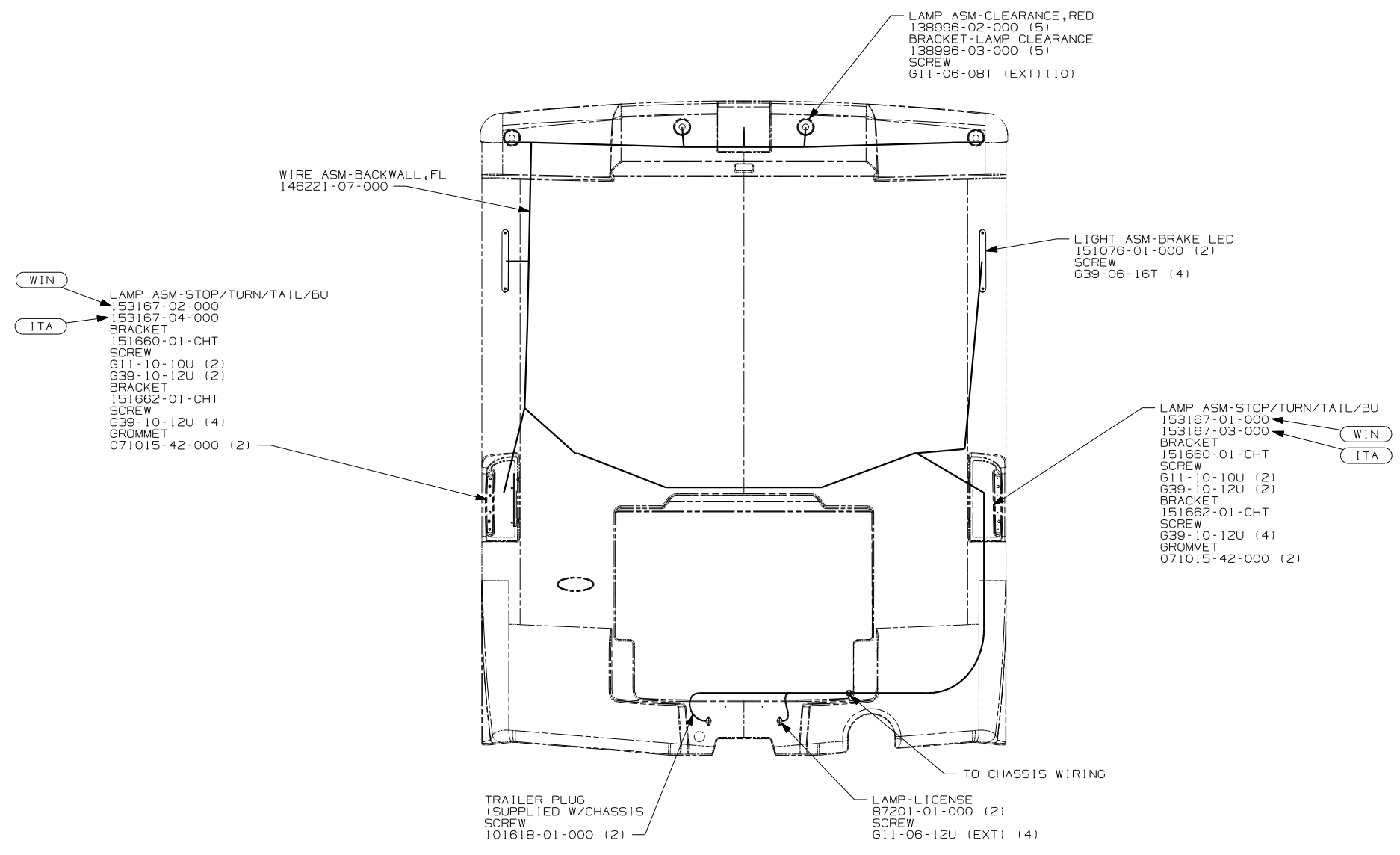
1 THE 2 PIN HOUSING WITH CIRCUITS NA & DDM, FOR THE RIGHT SIDE, AND NA & DDL FOR THE LEFT SIDE IS TO BE PLUGGED INTO THE OUTBOARD LOW BEAM HEADLAMP.

NOTES:

FOR ELECTRICAL TORQUE SPECIFICATIONS SEE DWG NO. 128783-01-000

FOR ELECTRICAL CALLOUTS SEE DWG NO. 121339-01-000

FIRST USED	
06 R-SERIES	
DO NOT SCALE DRAWING	
TITLE: WIRING INSTL-EXTERIOR LAMPS	
SHEET 2	PART NO 152107



- (240) TRAILER HITCH
- (ITA) ITASCA ONLY
- (WIN) WINNEBAGO ONLY

NOTES:  
1. CONNECTOR-PLUG, TRAILER (146246-01-000) TO BE SUPPLIED IN COACH WITH (240)

FIRST USED	06 R-SERIES
TITLE	DO NOT SCALE DRAWING
WIRING INSTL-EXTERIOR LAMPS	
SHEET 3	PART NO 152107