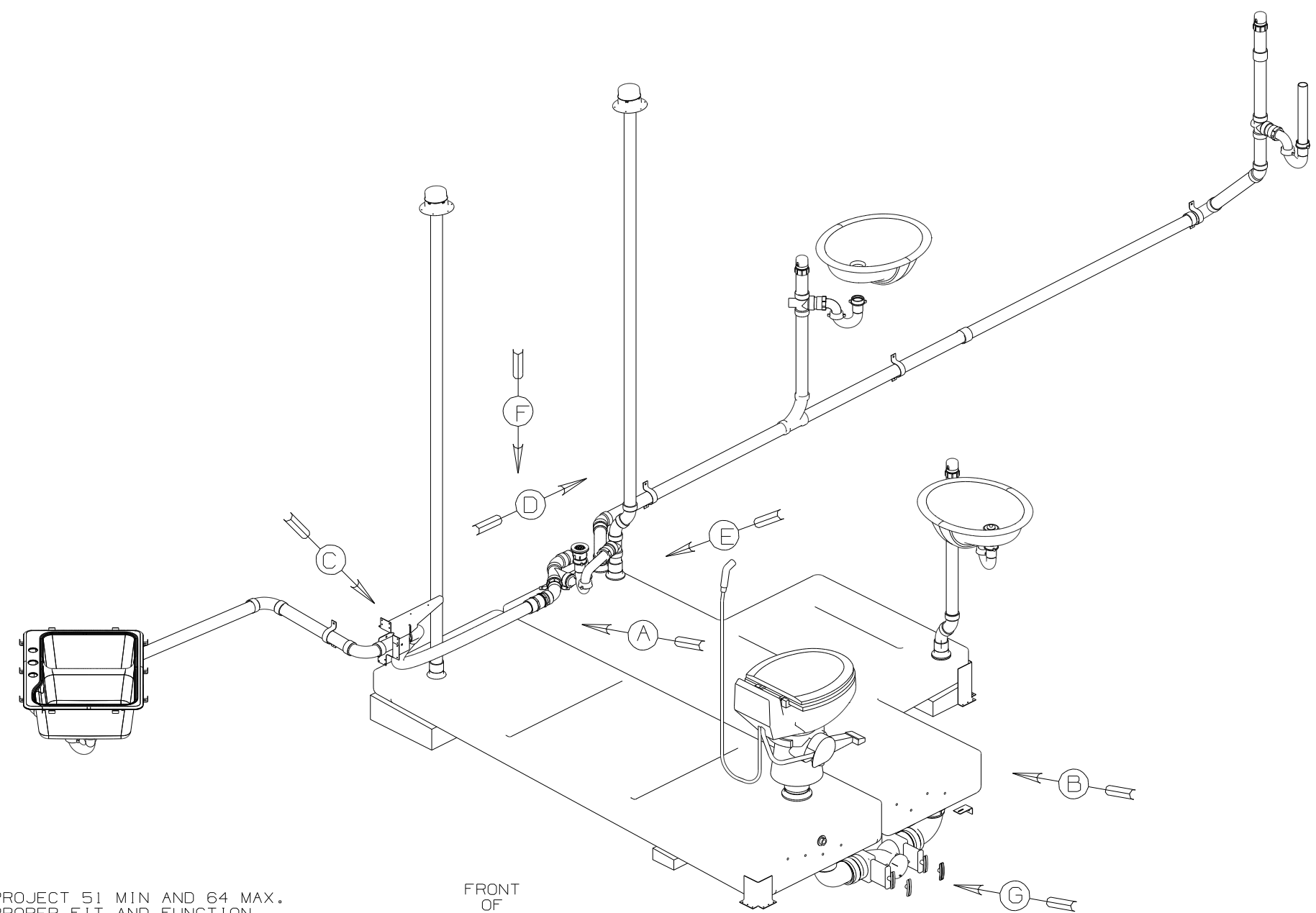


DWG NO	----
152972-01	(WIN)
152972-02	(ITA)

RELEASE	REV DATE	DWG NO
A		152972
REV ZONE	REVISION RECORD	DATE
		DFTR-ORIG



- (WIN) WINNEBAGO ONLY
- (ITA) ITASCA ONLY
- (IB1) CODES/STANDARDS-USA
- (265) CODES/STDS-CSA/CMVSS
- (54E) WASHER/DRYER
- (21M) WASHER/DRYER PREP
- (43W) CABINET-LAVATORY
- (43V) CABINET-CHEST OF DRAWERS

- 8 VENT PIPE MUST PROJECT 51 MIN AND 64 MAX. ABOVE ROOF FOR PROPER FIT AND FUNCTION.
7. SEE DWG 61607-01-000 FOR INSTL OF GROMMETS.
6. SEAL ALL AROUND SHOWER WITH SILICONE.
- 5 SECURE VENT TUBES TO FLOOR WITH BRACKET.
4. ALL EXTERIOR OPENINGS AROUND PIPE TO BE SEALED WITH 110744-01-000.
3. ALL PIPE AND FITTINGS TO BE ASSEMBLED WITH SOLVENT 4020-01-000 (US), 4020-02-000 (CAN).
2. SLOPE OF TRAP ARM MUST BE 6 PER 305 MM.
1. SLOPE OF HORIZONTAL PIPING TO BE 6 PER 305 mm.

NOTES:

(X-X)
FOR
DRAINAGE
CALLOUTS
SEE DWG NO
116229-01-000

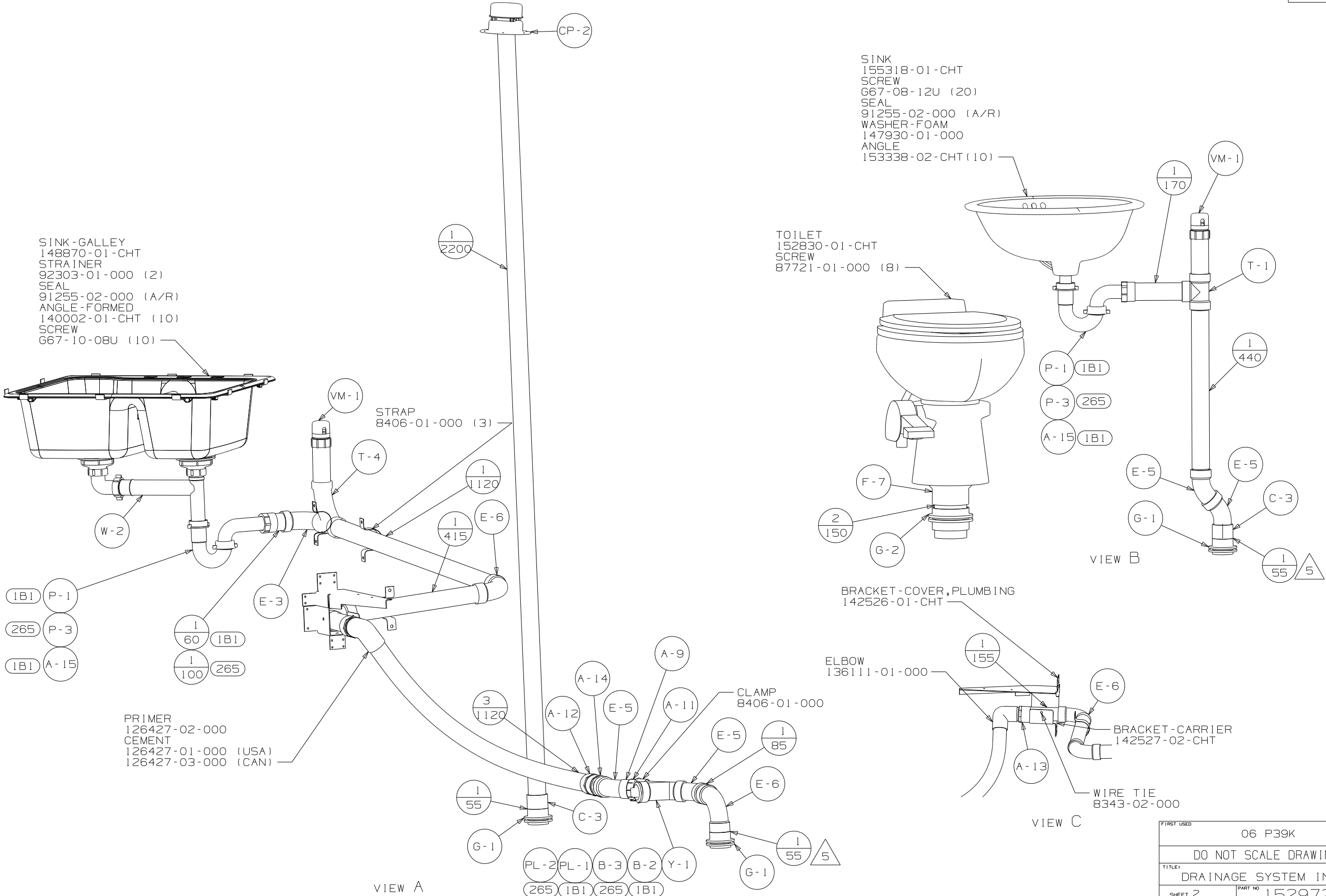
WINNEBAGO		COPYRIGHT 2006 WINNEBAGO INDUSTRIES, INC.	
DFTR	ORIG. DATE	ALL DIMENSIONS ARE IN MILLIMETERS	
CHKR		FIRST USED	
P.E.		06 P39K	
M.E.		UNSPECIFIED TOLERANCES ARE:	
DSNR		MATERIAL:	
		WHOLE DIM (X) :	3
		ONE-PLACE (X.X) :	
		TWO-PLACE (X.XX) :	
		ANGLE :	
THIRD ANGLE PROJECTION		DO NOT SCALE DRAWING	
TITLE: DRAINAGE SYSTEM INSTL			
SHEET 1 OF 4	PART NO	152972	REV
REF:	1 6/13/2006		

SINK
 155318-01-CHT
 SCREW
 G67-08-12U (20)
 SEAL
 91255-02-000 (A/R)
 WASHER-FOAM
 147930-01-000
 ANGLE
 153338-02-CHT (10)

TOILET
 152830-01-CHT
 SCREW
 87721-01-000 (8)

SINK-GALLEY
 148870-01-CHT
 STRAINER
 92303-01-000 (2)
 SEAL
 91255-02-000 (A/R)
 ANGLE-FORMED
 140002-01-CHT (10)
 SCREW
 G67-10-08U (10)

PRIMER
 126427-02-000
 CEMENT
 126427-01-000 (USA)
 126427-03-000 (CAN)

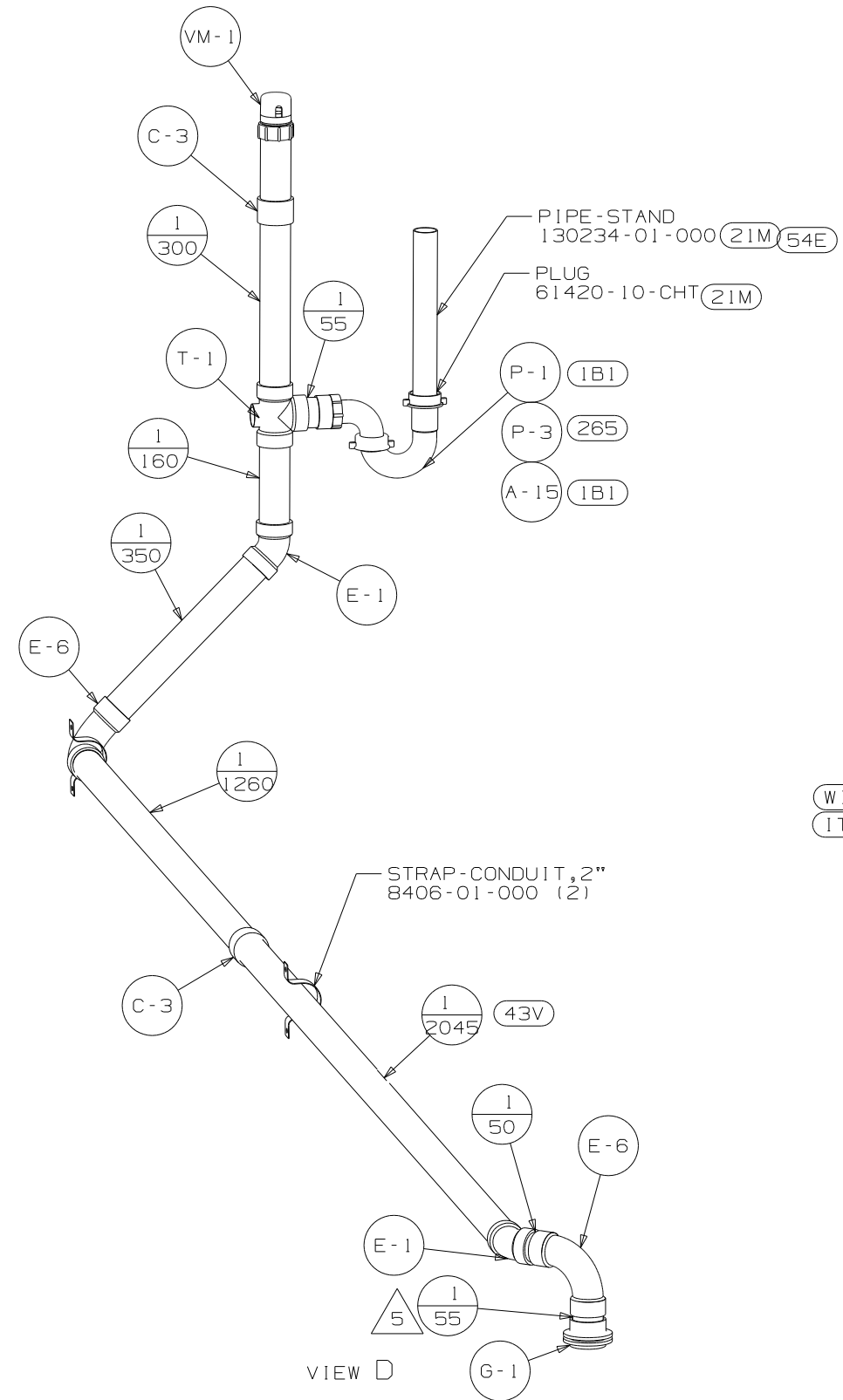
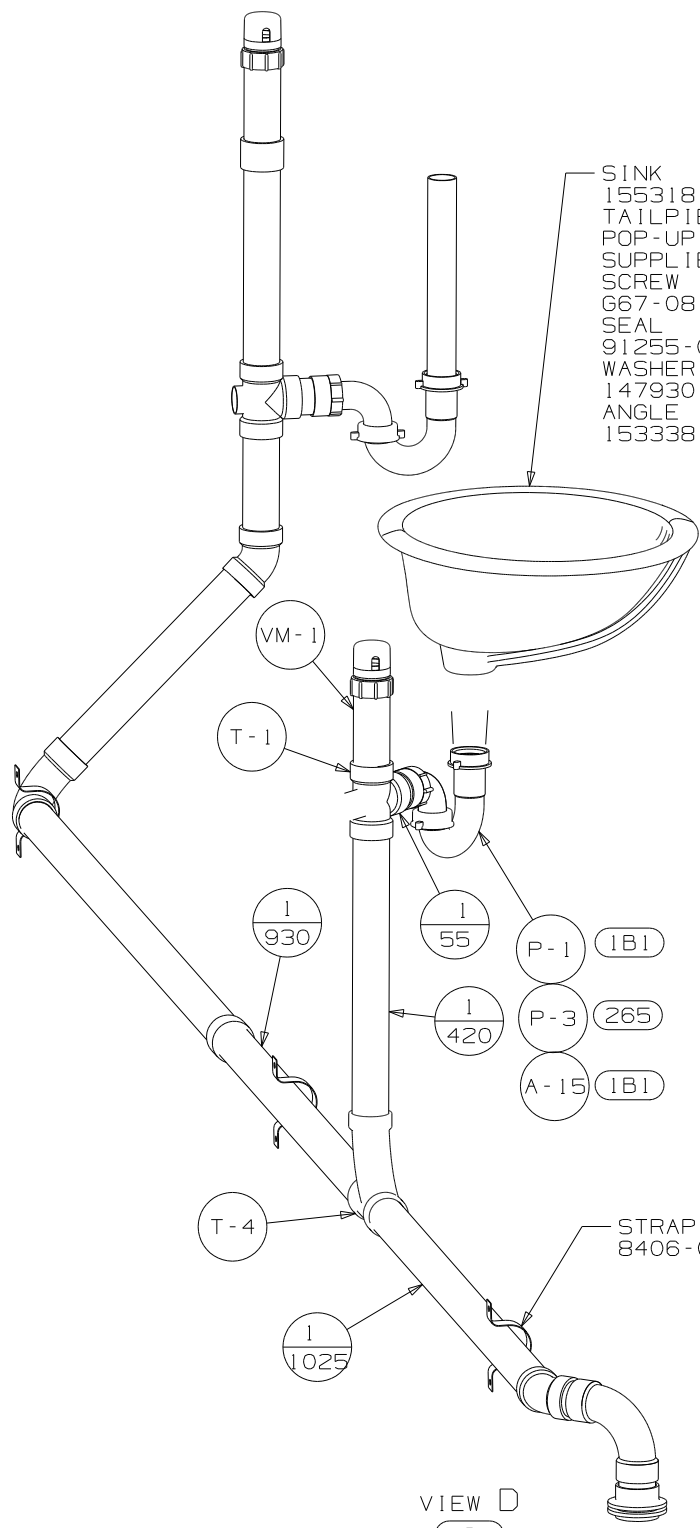


VIEW B

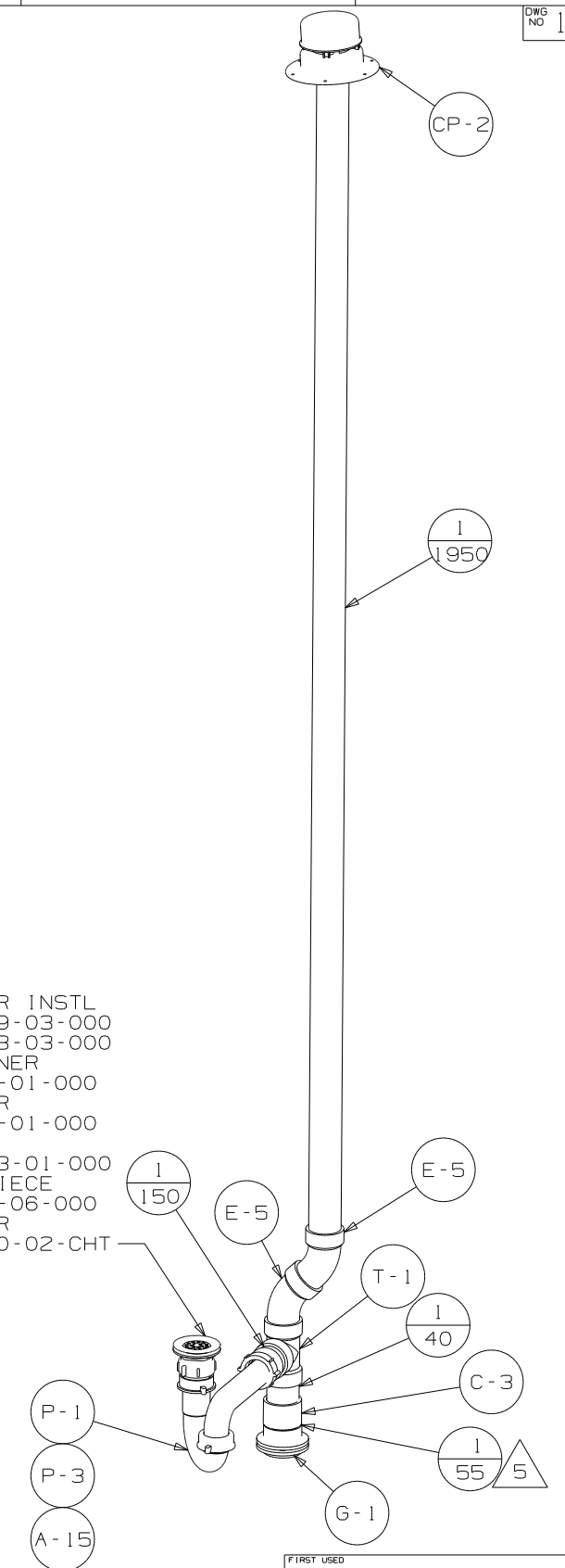
VIEW C

VIEW A

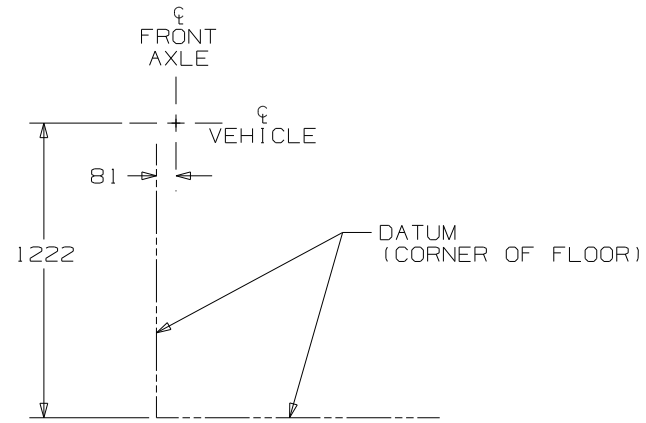
FIRST USED	06 P39K	
TITLE	DO NOT SCALE DRAWING	
	DRAINAGE SYSTEM INSTL	
SHEET 2	PART NO	152972
	REV	



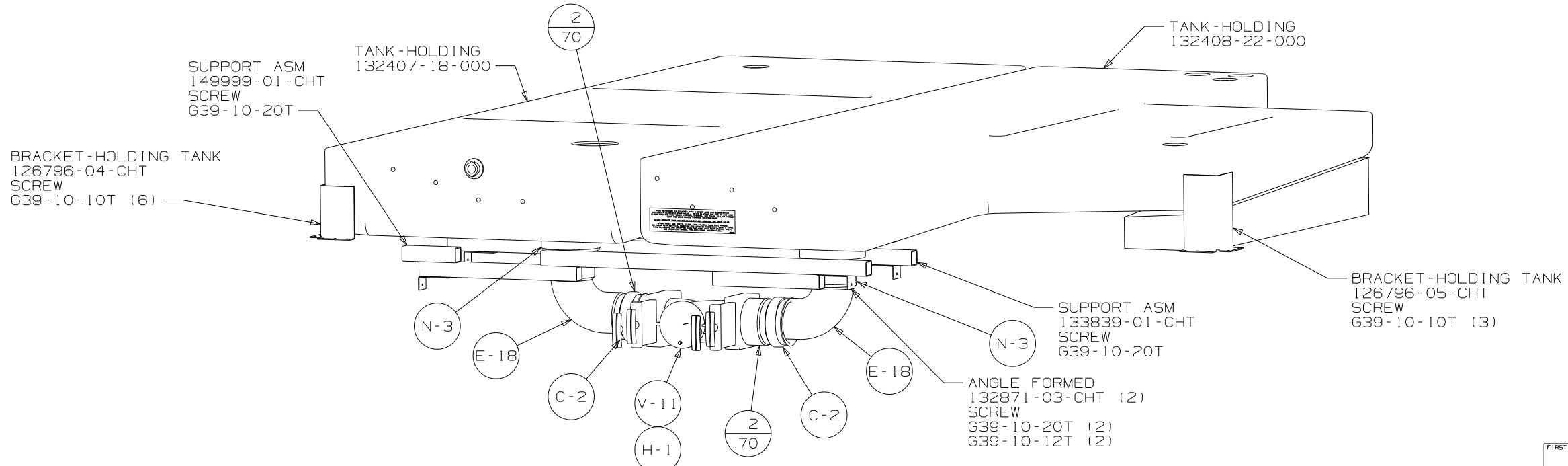
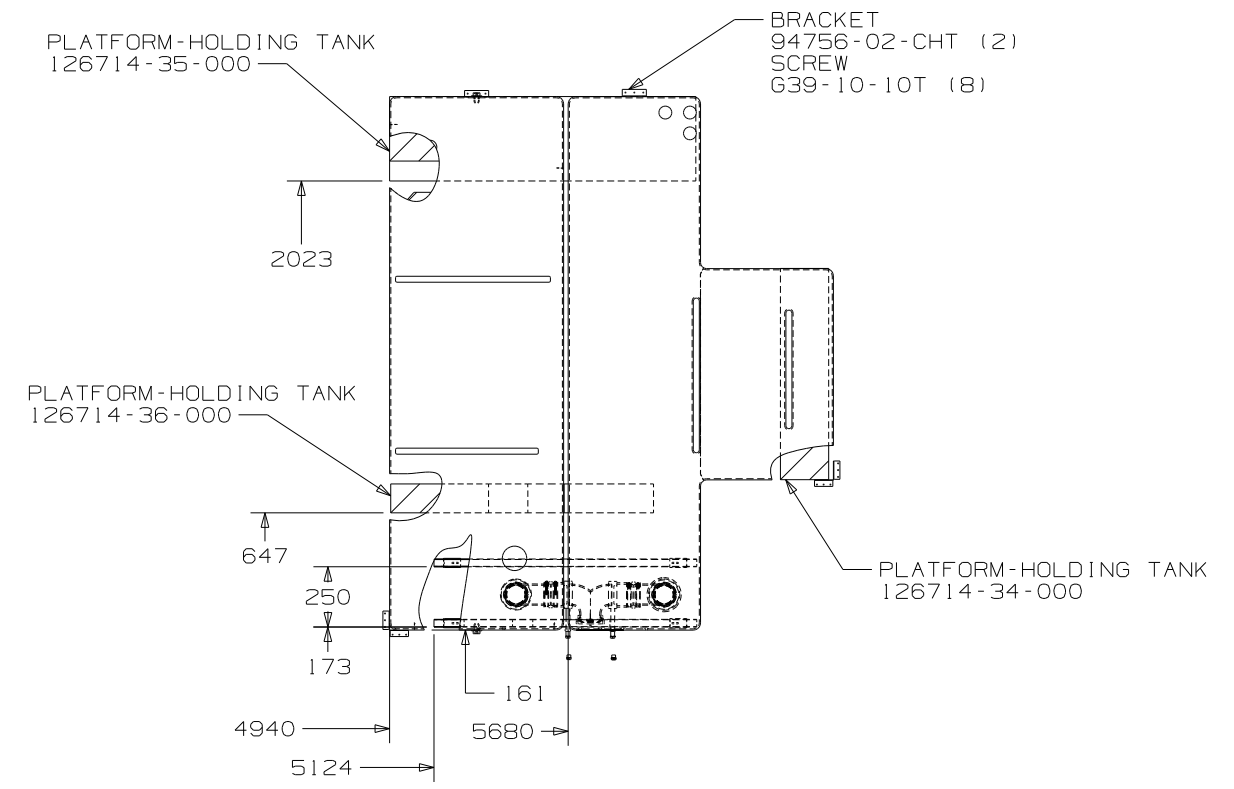
- (WIN) SHOWER INSTL 147869-03-000
- (ITA) 142018-03-000
- STRAINER 66440-01-000
- SEALER 69640-01-000
- NUT 130403-01-000
- TAILPIECE 11069-06-000
- WASHER 127440-02-CHT



FIRST USED	06 P39K
DO NOT SCALE DRAWING	
TITLE:	DRAINAGE SYSTEM INSTL
SHEET 3	PART NO 152972 REV



VIEW F



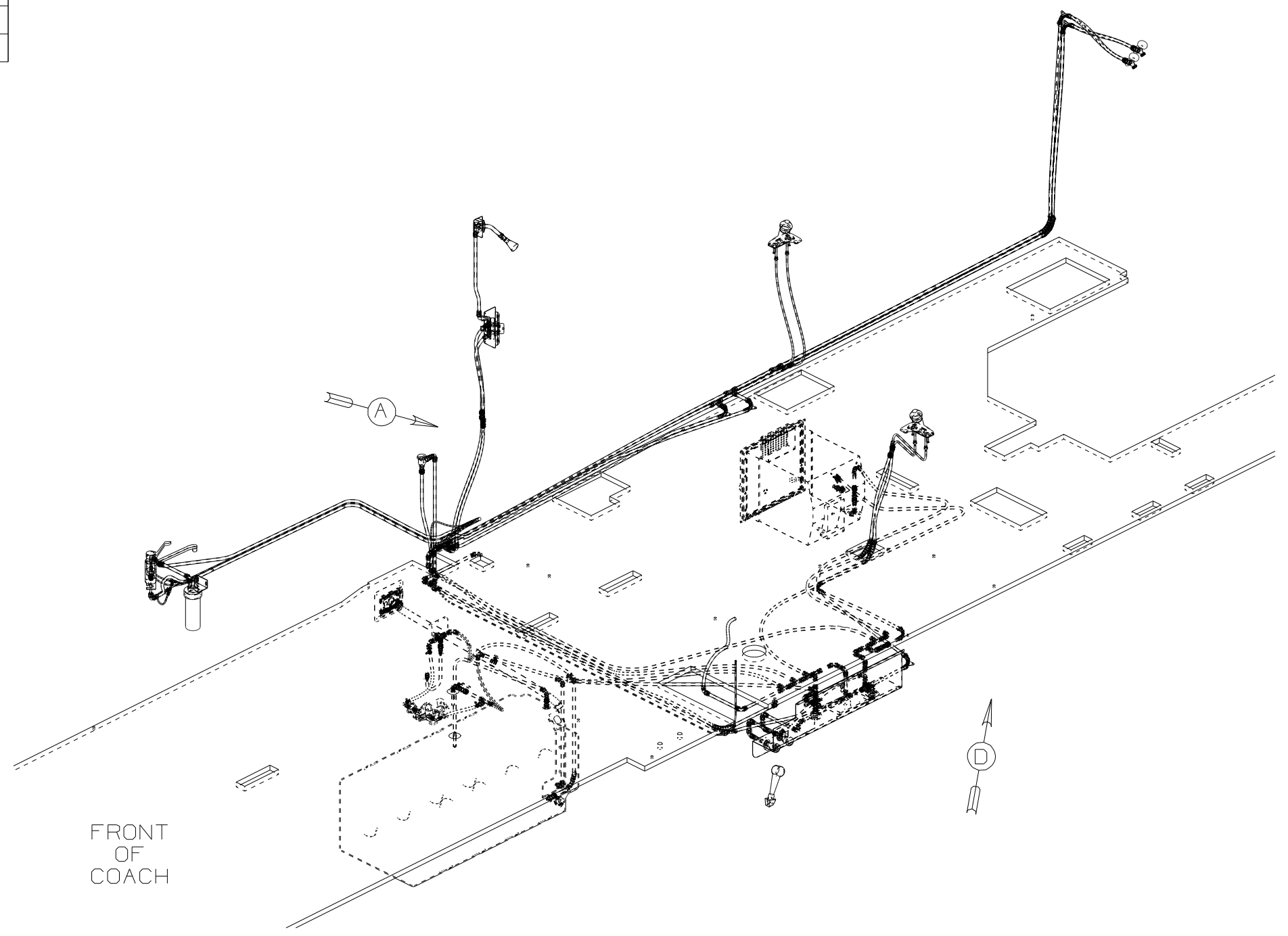
VALVE-SEWER HOSE 144728-01-000
LABEL-DRIP VALVE 147845-01-CHT

VIEW G

FIRST USED	06 P39K
DO NOT SCALE DRAWING	
TITLE	DRAINAGE SYSTEM INSTL
SHEET 4	PART NO 152972 REV

DWG NO	----
152971-01	(WIN)
152971-02	(ITA)

RELEASE	REV DATE	DWG NO
A		152971
REV ZONE	REVISION RECORD	DATE DFR-ORIG

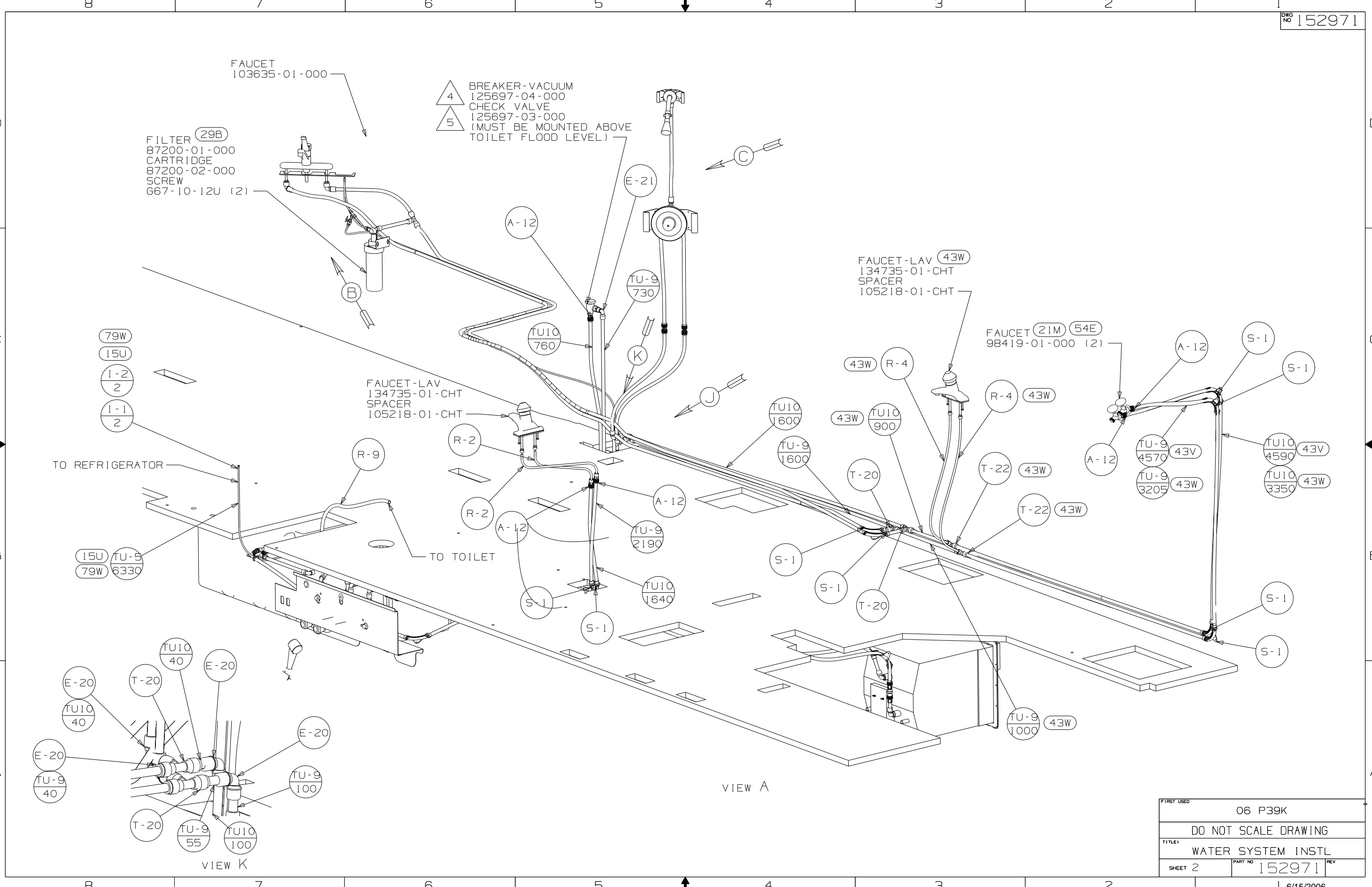


- (WIN) WINNEBAGO ONLY
- (ITA) ITASCA ONLY
- (43V) NON VANITY
- (43W) BEDROOM VANITY
- (21M) WASHER/DRYER PREP
- (54E) WASHER/DRYER
- (43A) SHOWER HEAD-FIXED
- (43H) SHOWER HEAD-HAND HELD
- (29B) WATER PURIFIER
- (79W) 4-DOOR REFRIG
- (15U) REFRIG-W/ICEMAKER
- (53E) WINTERIZATION PACKAGE

- NOTES:
- 6 USE IN PLACE OF SUPPLIED SCREWS TO ATTACH BRACKET TO WALL.
 - 5 ADD TEFLON TAPE 10405-02-000 TO FITTING.
 - 4 ADD TEFLON TAPE 10405-01-000 TO FITTING.
 - 3. ALL TUBING TO BE SECURED AT 1200 INTERVALS MAXIMUM WITH CLAMP 10495-01-000 OR CLIP 9151-01-000 AND SCREW G67-10-12B.
 - 2. TUBING TO BE INSTALLED WITH SUFFICIENT SLOPE TO PROVIDE DRAINAGE TO NEAREST VALVE.
 - 1. PLASTIC FITTINGS TO BE SEALED WITH SEALANT 84456-01-000

WINNEBAGO		COPYRIGHT 2006 WINNEBAGO INDUSTRIES, INC.	
DFTR	ORIG. DATE	ALL DIMENSIONS ARE IN MILLIMETERS	
CHKR		FIRST USED	
P.E.		06 P39K	
M.E.		UNSPECIFIED TOLERANCES ARE:	
DSNR		MATERIAL:	
		WHOLE DIM (X) :	7
		ONE-PLACE (X.X) :	
		TWO-PLACE (X.XX) :	
		ANGLE :	
THIRD ANGLE PROJECTION		DO NOT SCALE DRAWING	
TITLE: WATER SYSTEM INSTL			
SHEET 1 OF 7	PART NO	152971	REV
REF1	1 6/15/2006		

(X-X)
FOR WATER
CALLOUTS
SEE DWG NO.
116230-01-000



FAUCET
103635-01-000

4 BREAKER-VACUUM
125697-04-000
CHECK VALVE
5 125697-03-000
(MUST BE MOUNTED ABOVE
TOILET FLOOD LEVEL)

FILTER (29B)
87200-01-000
CARTRIDGE
87200-02-000
SCREW
667-10-12U (2)

FAUCET-LAV (43W)
134735-01-CHT
SPACER
105218-01-CHT

FAUCET (21M) (54E)
98419-01-000 (2)

FAUCET-LAV
134735-01-CHT
SPACER
105218-01-CHT

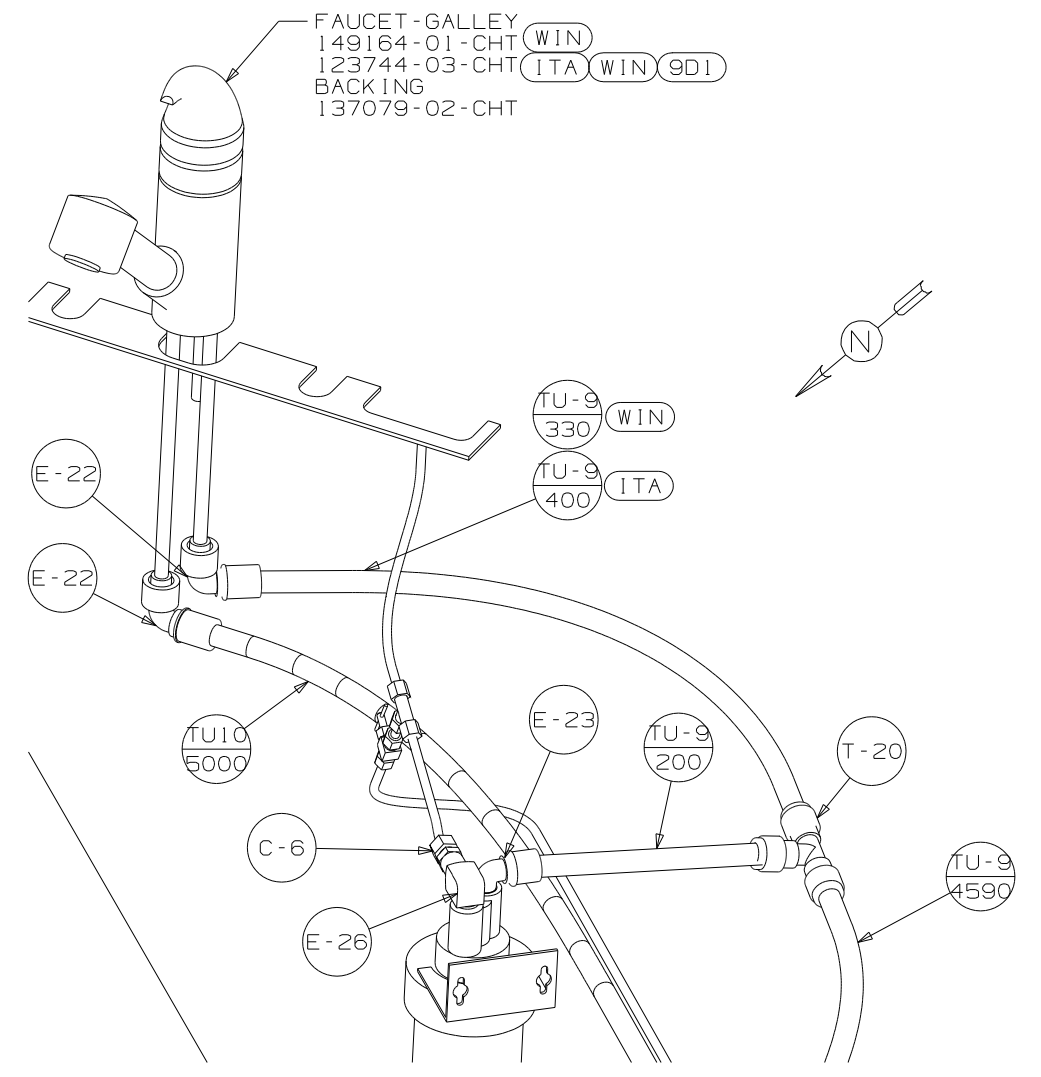
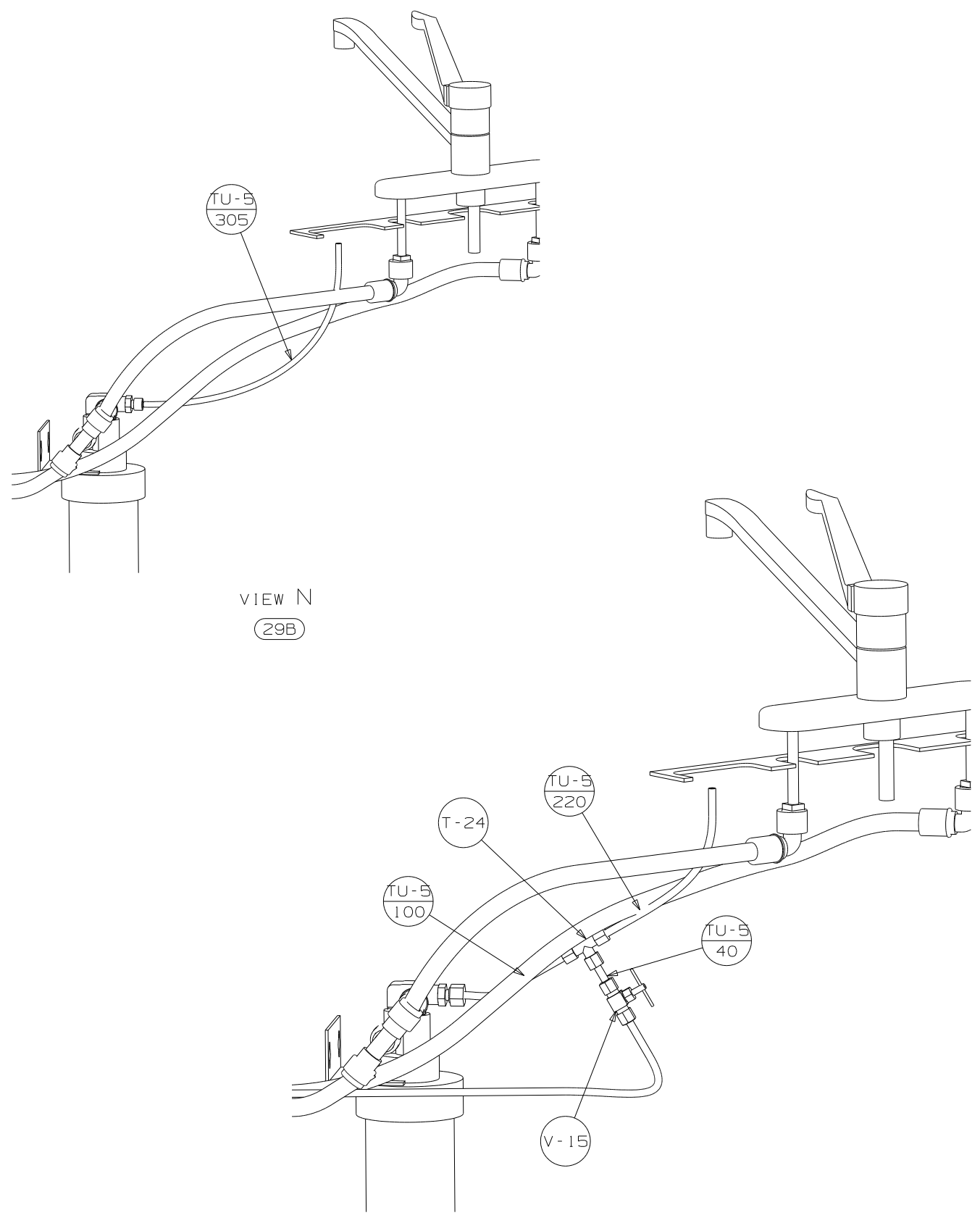
TO REFRIGERATOR

TO TOILET

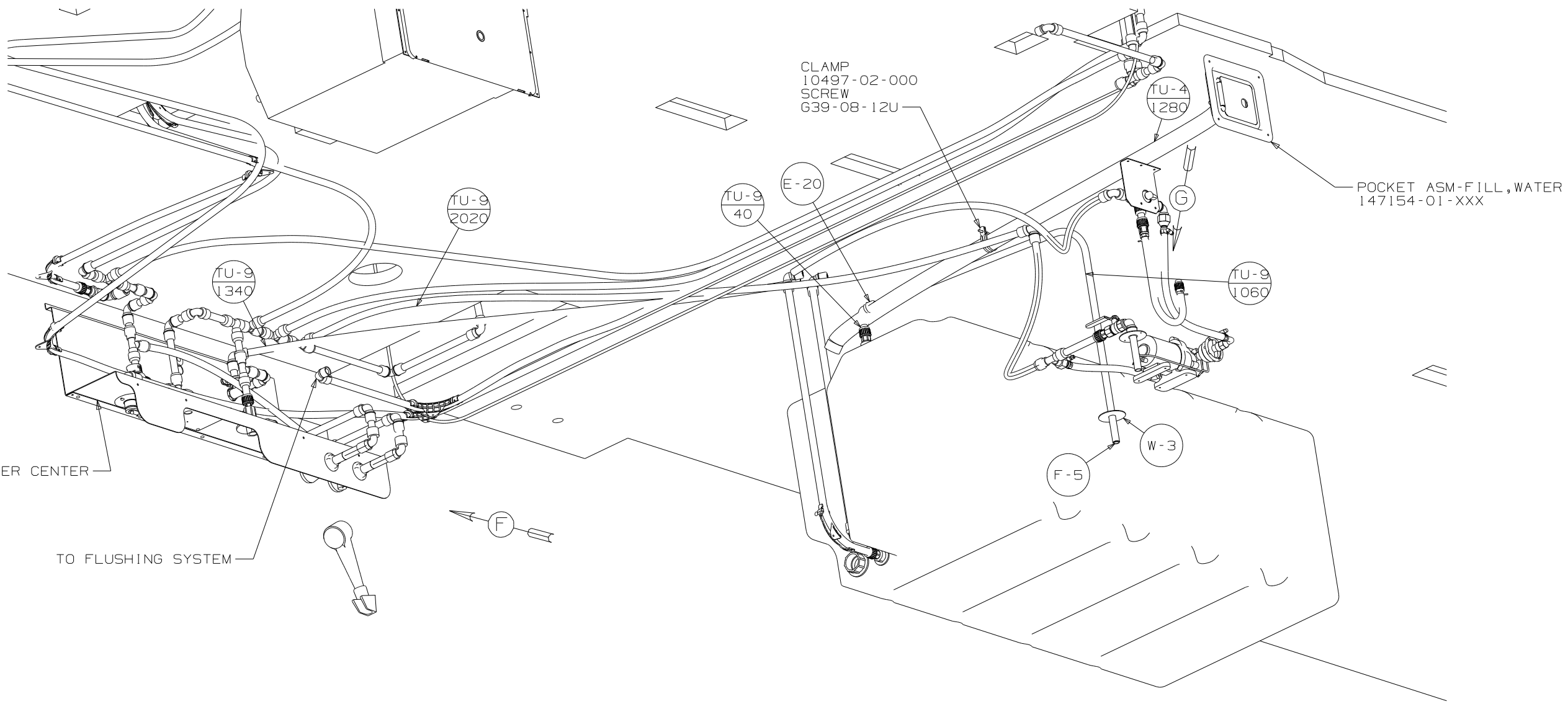
VIEW A

VIEW K

FIRST USED	06 P39K		
TITLE	DO NOT SCALE DRAWING		
TITLE	WATER SYSTEM INSTL		
SHEET 2	PART NO	152971	REV

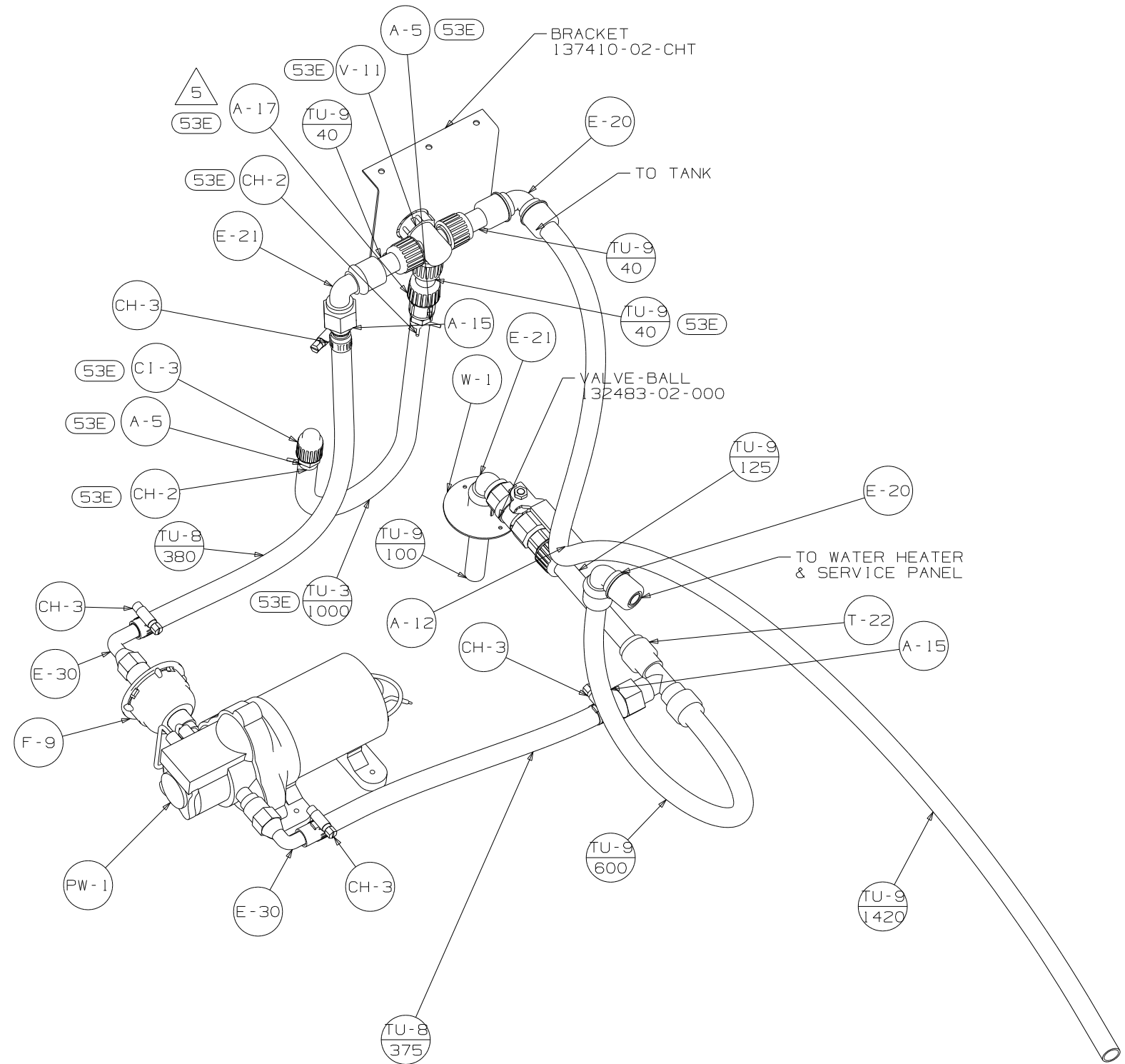


FIRST USED	06 P39K		
TITLE	DO NOT SCALE DRAWING		
SHEET 3	PART NO	152971	REV
			1 6/15/2006



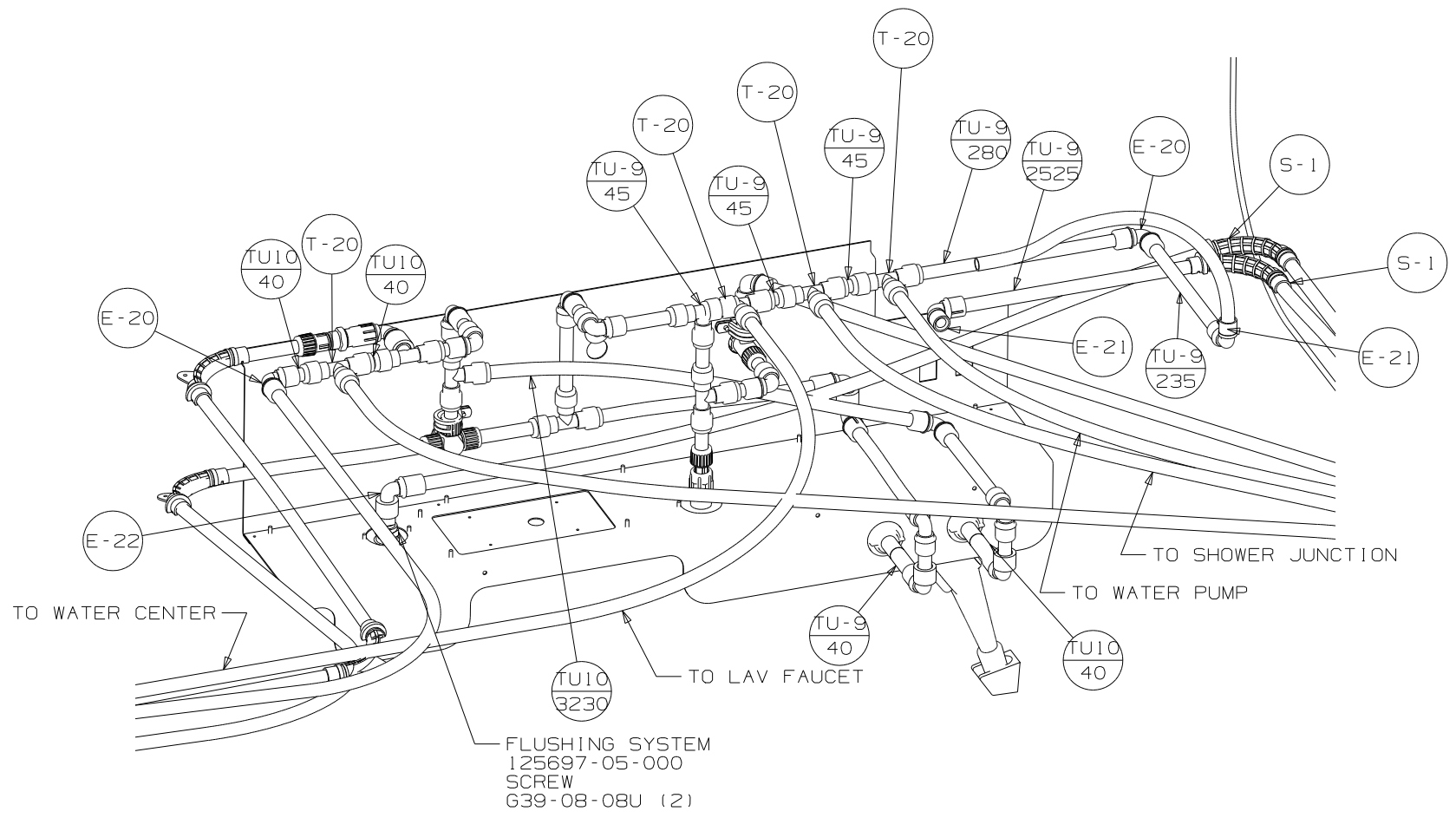
VIEW D

FIRST USED	06 P39K		
TITLE	DO NOT SCALE DRAWING		
TITLE	WATER SYSTEM INSTL		
SHEET 4	PART NO	152971	REV

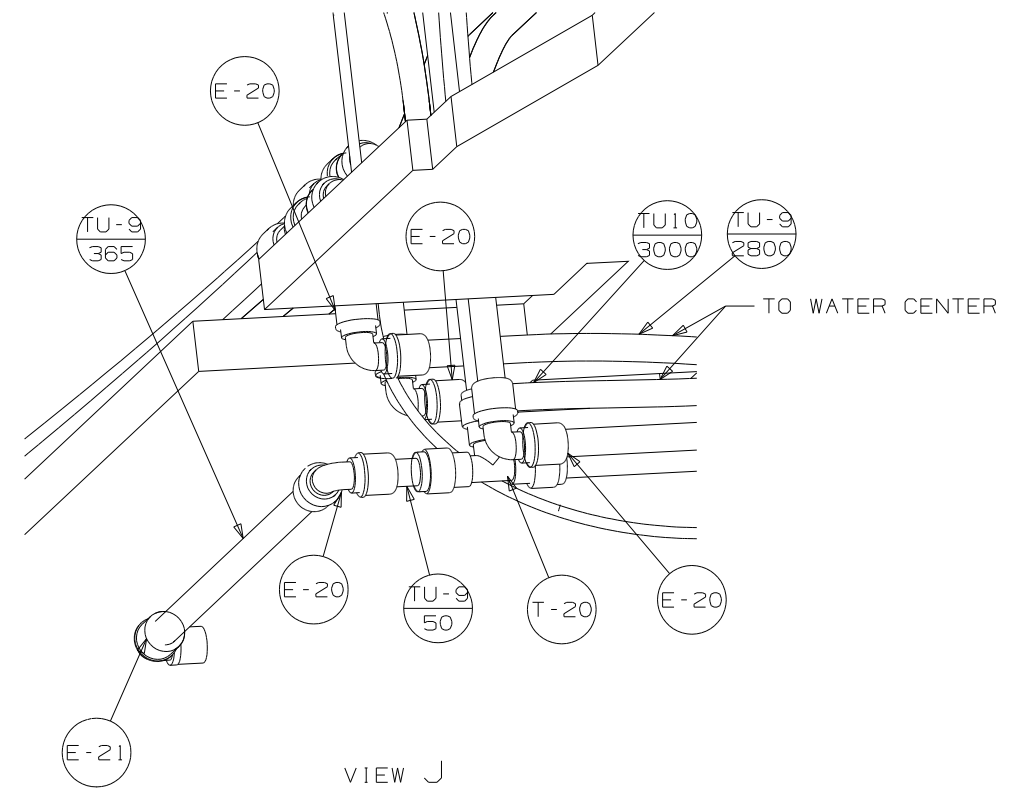


VIEW G

FIRST USED	06 P39K	
TITLE	DO NOT SCALE DRAWING	
SHEET 5	PART NO	152971
	REV	

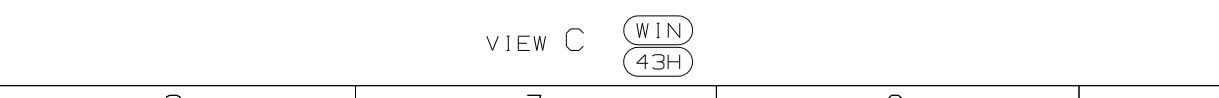
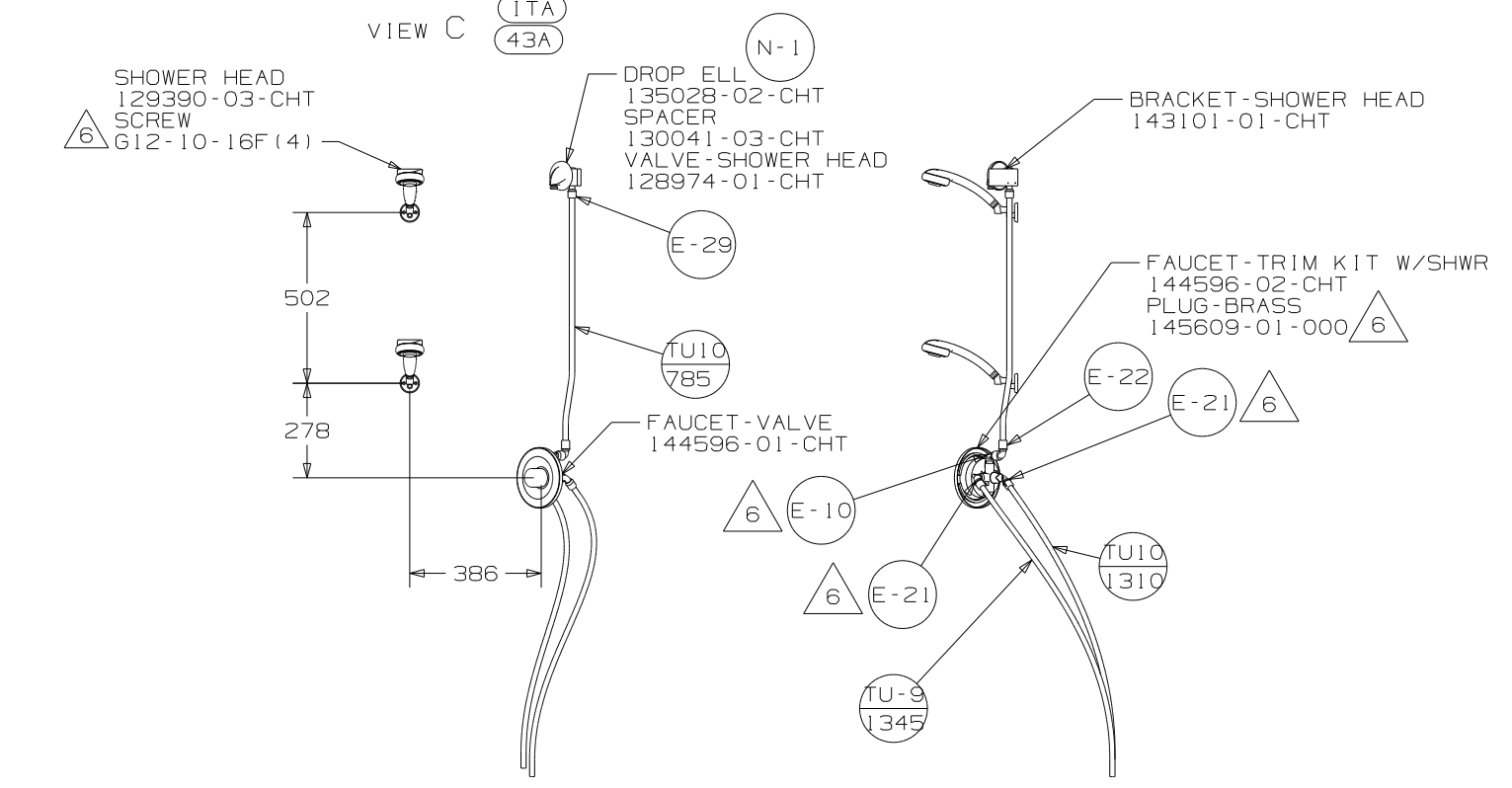
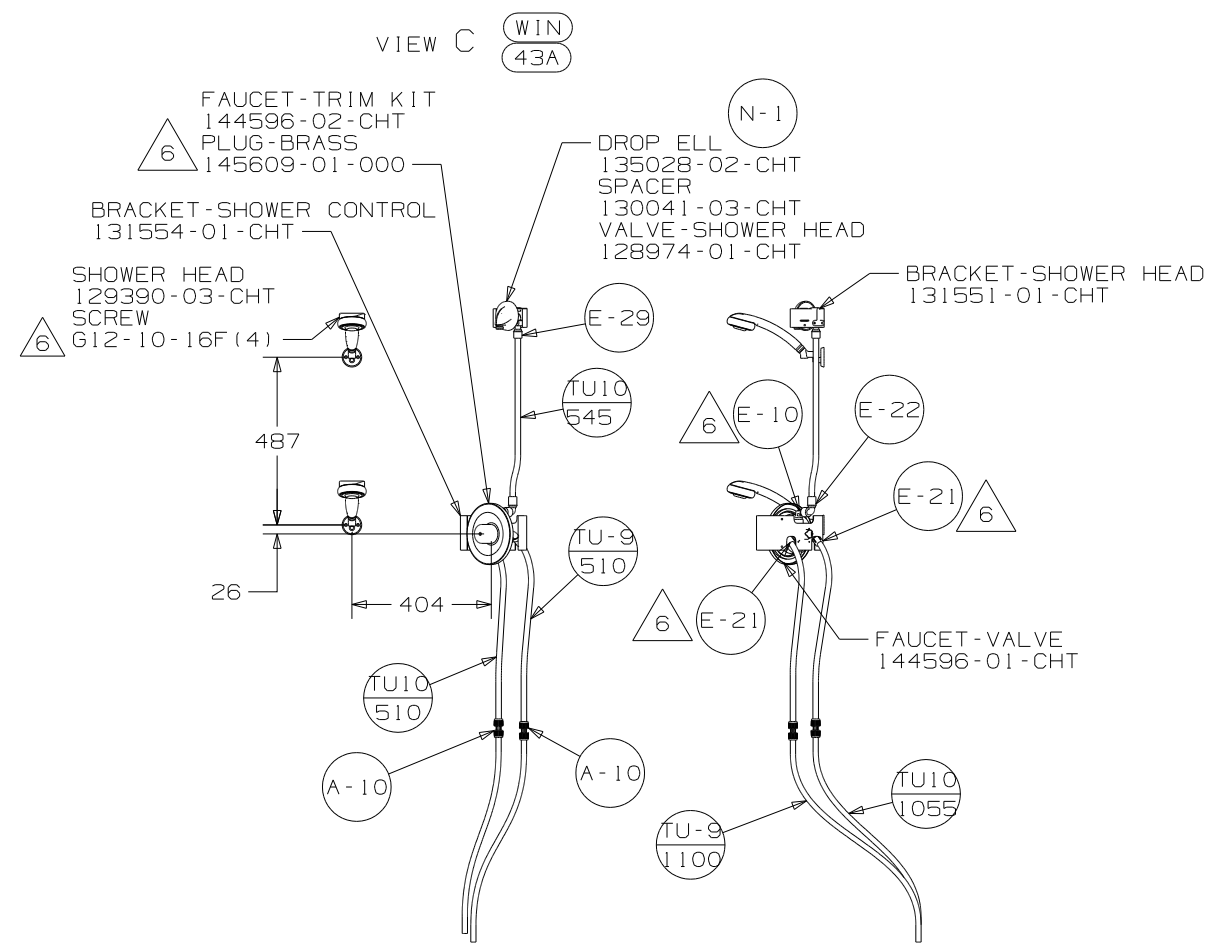
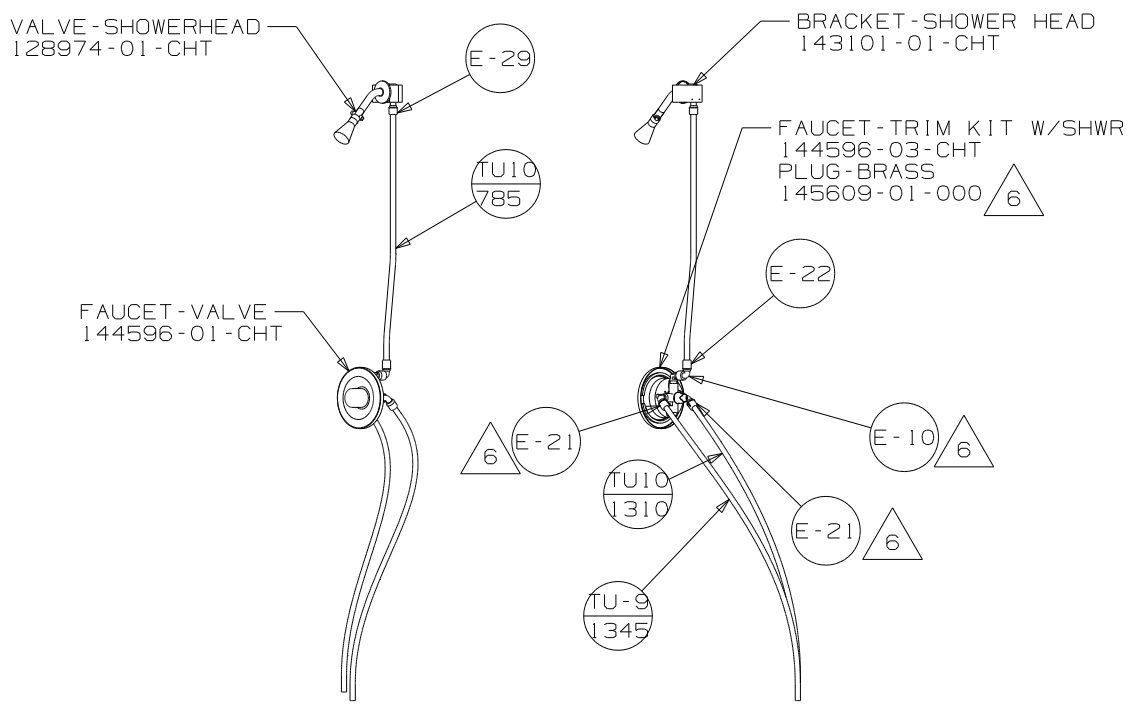
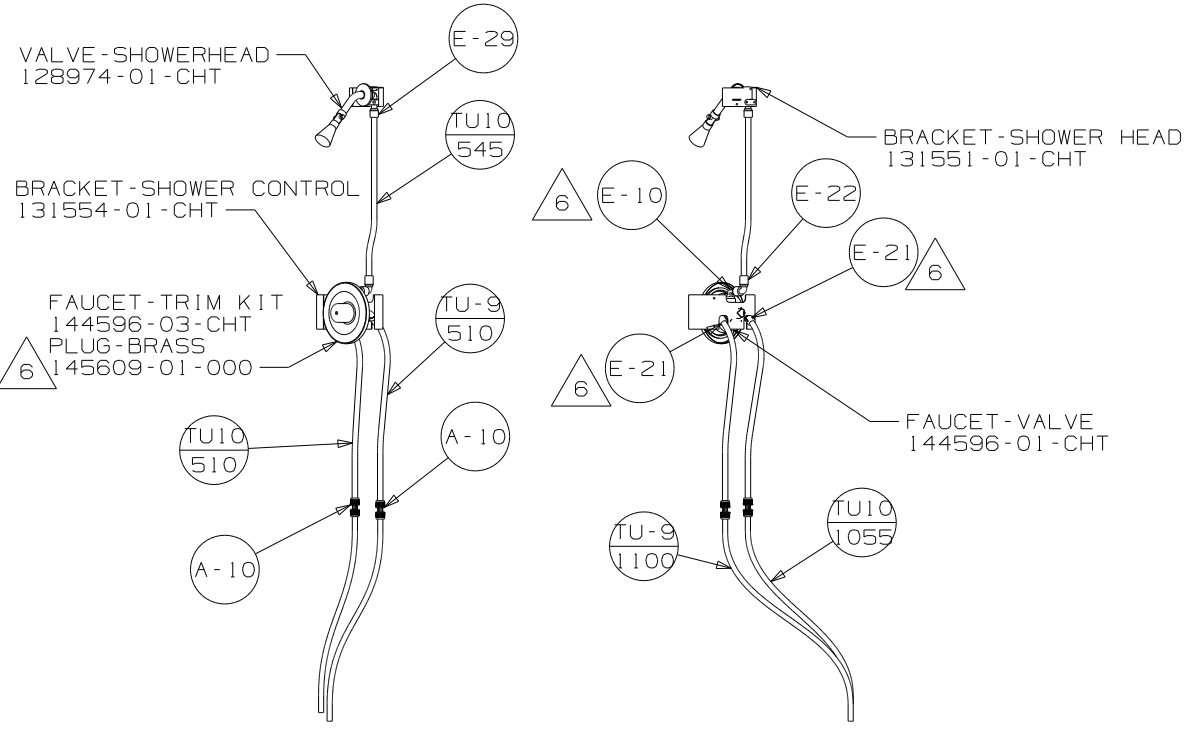


VIEW F



VIEW J

FIRST USED	06 P39K		
TITLE:	DO NOT SCALE DRAWING		
	WATER SYSTEM INSTL		
SHEET 6	PART NO	152971	REV



FIRST USED	06 P39K	
TITLE	DO NOT SCALE DRAWING	
SHEET 7	PART NO 152971	REV