



**DANGER**

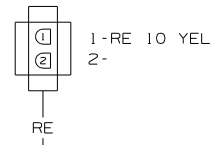
**Danger of electrical shock, burns or death.** Always remove all power sources before attempting any repair, service or diagnostic work. Power can be present from shore power, generator, inverter or battery. All power sources must be disabled and secured before performing any service.



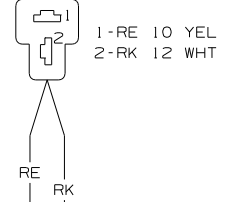
**CAUTION**

If you lack the skills, tools or equipment to perform diagnostic or repair work leave such work to an authorized Winnebago Industries dealer or other qualified shop.

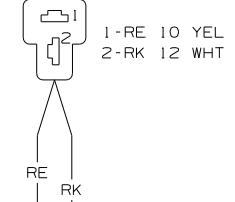
CONNECTS TO WIRE ASM-IP, MAIN (LOCATED IN FRONT ELECTRICAL BOX) 5



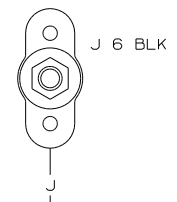
CONNECTS TO COOLING FAN #1 4



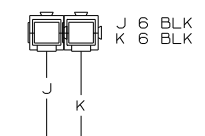
CONNECTS TO COOLING FAN #2 4



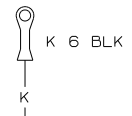
ISOLATED STUD (LOCATED IN BASE OF REFRIG CABT)



CONNECTS TO WIRE ASM-CRT BRK, POWER (LOCATED IN FRONT ELECTRICAL BOX) 5

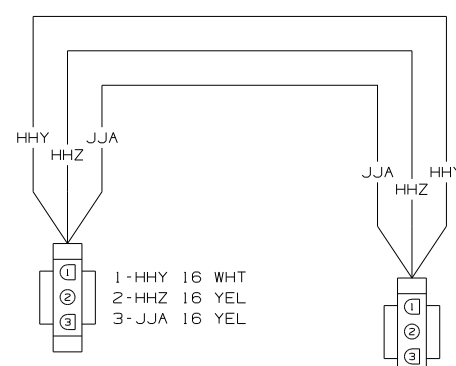


CONNECTS TO COACH BREAKER PANEL BUSS BAR (SHT 2, A-8)

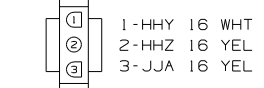


WC  
NW  
WE

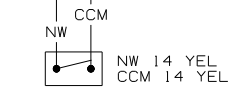
GND



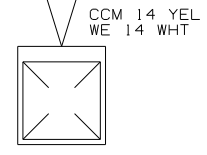
CONNECTS TO WIRE ASM-SIDEWALL (SHT 8, C-8) (LOCATED IN PASS PANEL)



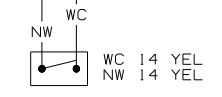
CONNECTS TO AWNING CONTROL BOX



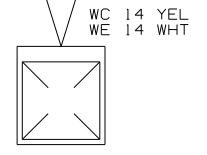
FRONT LEFT COMPT SWITCH



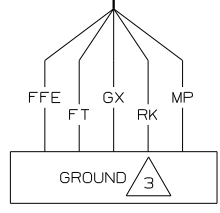
FRONT LEFT COMPT LAMP



COMPT LAMP SWITCH



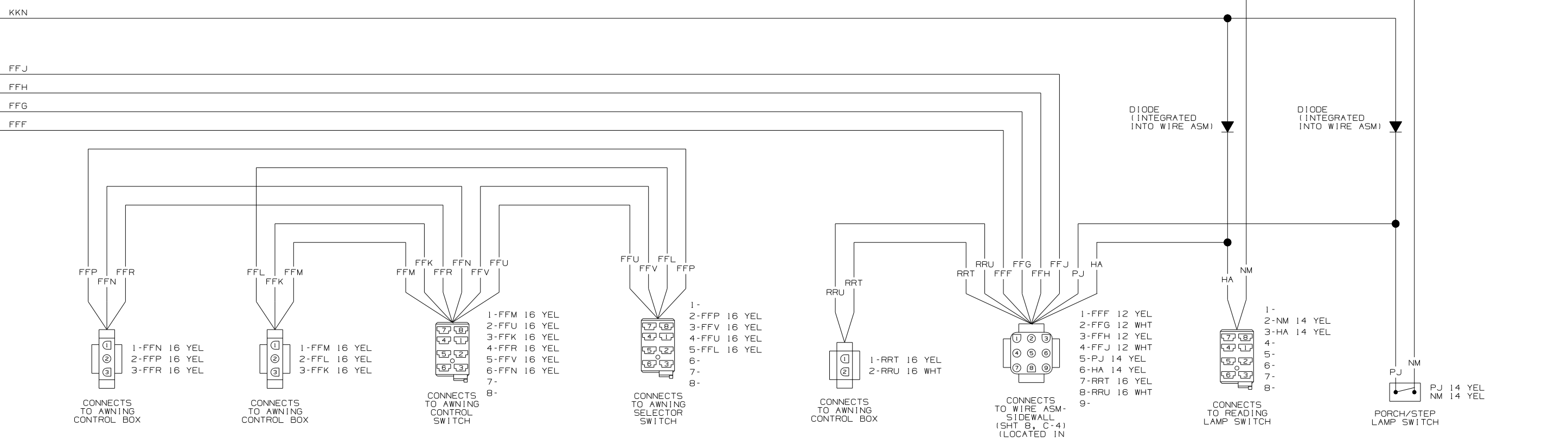
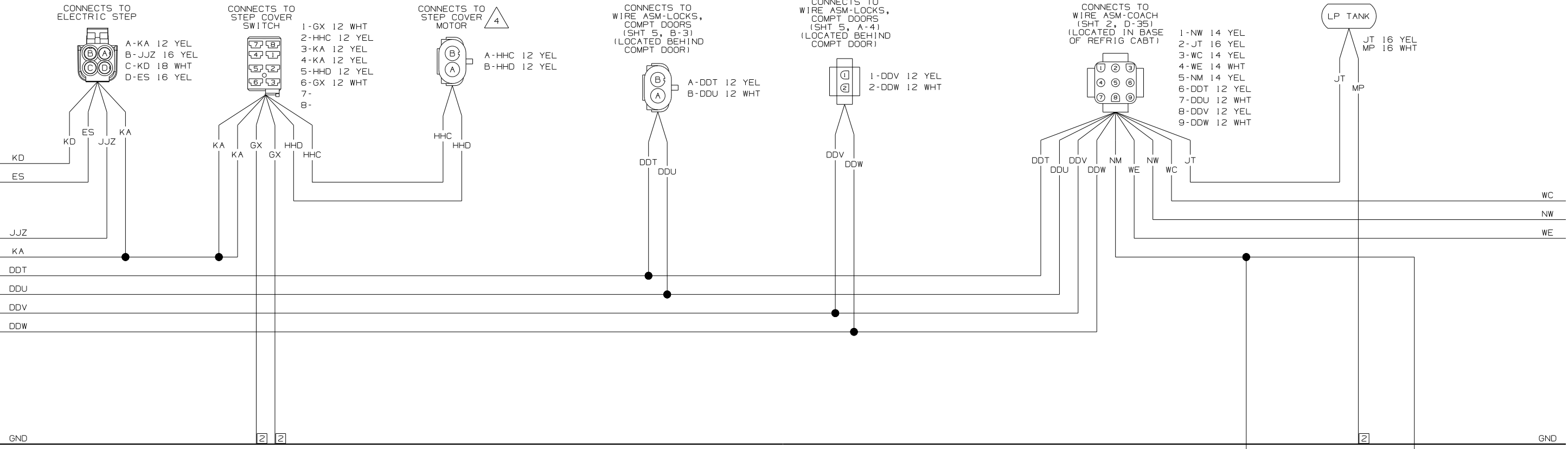
ENGINE COMPT LAMP

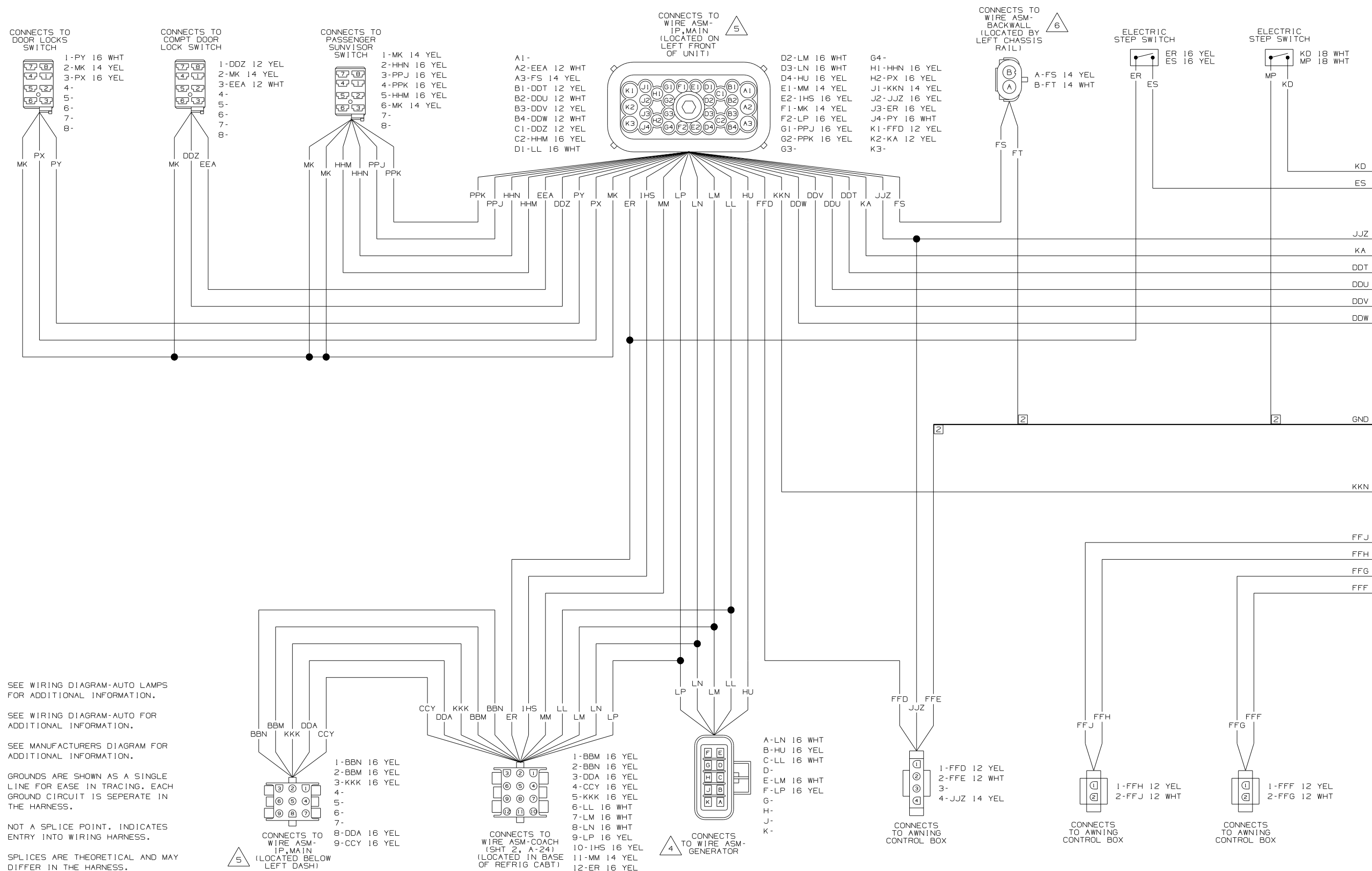


FFE 12 WHT  
FT 14 WHT  
GX 12 WHT  
RK 12 WHT  
MP 16 WHT

WIRING DIAGRAM-CHASSIS  
(WIRE ASM 153551 REV-E)

<b>WINNEBAGO</b>		COPYRIGHT 2004 WINNEBAGO INDUSTRIES, INC.	
DFTR	ORIG. DATE	ALL DIMENSIONS ARE IN MILLIMETERS	
CHNR		06 P36G	
P.E.		UNSPECIFIED TOLERANCES ARE:	
M.E.	FIRST USED	MATERIAL:	
DSNR		HOLE DIM (X) :	
		ONE-PLACE (X,X) :	
		TWO-PLACE (X,XX) :	
		ANGLE :	
THIRD ANGLE PROJECTION		DO NOT SCALE DRAWING	
TITLE: WIRING DIAGRAM-BODY, 12V			
SHEET 1 of 8		PART NO 153554	
REF :		1 10/7/2005	





CONNECTS TO DOOR LOCKS SWITCH

1-PY 16 WHT  
2-MK 14 YEL  
3-PX 16 YEL  
4-  
5-  
6-  
7-  
8-

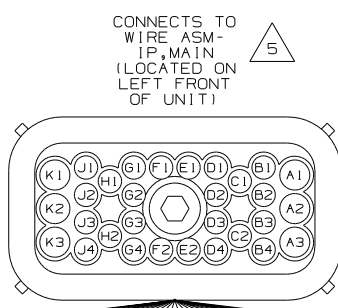
CONNECTS TO COMPT DOOR LOCK SWITCH

1-DDZ 12 YEL  
2-MK 14 YEL  
3-EEA 12 WHT  
4-  
5-  
6-  
7-  
8-

CONNECTS TO PASSENGER SUNVISOR SWITCH

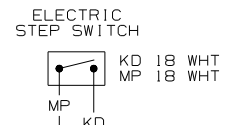
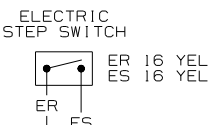
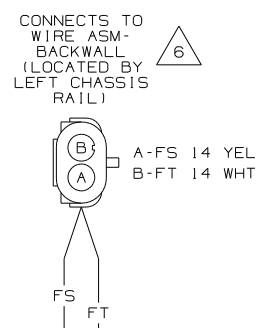
1-MK 14 YEL  
2-HHN 16 YEL  
3-PPJ 16 YEL  
4-PPK 16 YEL  
5-HHM 16 YEL  
6-MK 14 YEL  
7-  
8-

A1-  
A2-EEA 12 WHT  
A3-FS 14 YEL  
B1-DDT 12 YEL  
B2-DDU 12 WHT  
B3-DDV 12 YEL  
B4-DDW 12 WHT  
C1-DDZ 12 YEL  
C2-HHM 16 YEL  
D1-LL 16 WHT



D2-LM 16 WHT  
D3-LN 16 WHT  
D4-HU 16 YEL  
E1-MM 14 YEL  
E2-IHS 16 YEL  
F1-MK 14 YEL  
F2-LP 16 YEL  
G1-PPJ 16 YEL  
G2-PPK 16 YEL  
G3-

G4-  
H1-HHN 16 YEL  
H2-PX 16 YEL  
J1-KKN 14 YEL  
J2-JJZ 16 YEL  
J3-ER 16 YEL  
J4-PY 16 WHT  
K1-FFD 12 YEL  
K2-KA 12 YEL  
K3-



- 6 SEE WIRING DIAGRAM-AUTO LAMPS FOR ADDITIONAL INFORMATION.
- 5 SEE WIRING DIAGRAM-AUTO FOR ADDITIONAL INFORMATION.
- 4 SEE MANUFACTURERS DIAGRAM FOR ADDITIONAL INFORMATION.
- 3 GROUNDS ARE SHOWN AS A SINGLE LINE FOR EASE IN TRACING. EACH GROUND CIRCUIT IS SEPERATE IN THE HARNESS.
- 2 NOT A SPLICE POINT. INDICATES ENTRY INTO WIRING HARNESS.
1. SPLICES ARE THEORETICAL AND MAY DIFFER IN THE HARNESS.

CONNECTS TO WIRE ASM-IP, MAIN (LOCATED BELOW LEFT DASH)

BBN KKK DDA CCY

1-BBN 16 YEL  
2-BBM 16 YEL  
3-KKK 16 YEL  
4-  
5-  
6-  
7-  
8-DDA 16 YEL  
9-CCY 16 YEL

CONNECTS TO WIRE ASM-COACH (SHT 2, A-24) (LOCATED IN BASE OF REFRIG CABT)

CCY DDA BBM ER IHS MM LM LP

1-BBM 16 YEL  
2-BBN 16 YEL  
3-DDA 16 YEL  
4-CCY 16 YEL  
5-KKK 16 YEL  
6-LL 16 WHT  
7-LM 16 WHT  
8-LN 16 WHT  
9-LP 16 YEL  
10-IHS 16 YEL  
11-MM 14 YEL  
12-ER 16 YEL

CONNECTS TO WIRE ASM-GENERATOR

A-LN 16 WHT  
B-HU 16 YEL  
C-LL 16 WHT  
D-  
E-LM 16 WHT  
F-LP 16 YEL  
G-  
H-  
J-  
K-

CONNECTS TO AWNING CONTROL BOX

FFD JJZ FFE

1-FFD 12 YEL  
2-FFE 12 WHT  
3-  
4-JJZ 14 YEL

CONNECTS TO AWNING CONTROL BOX

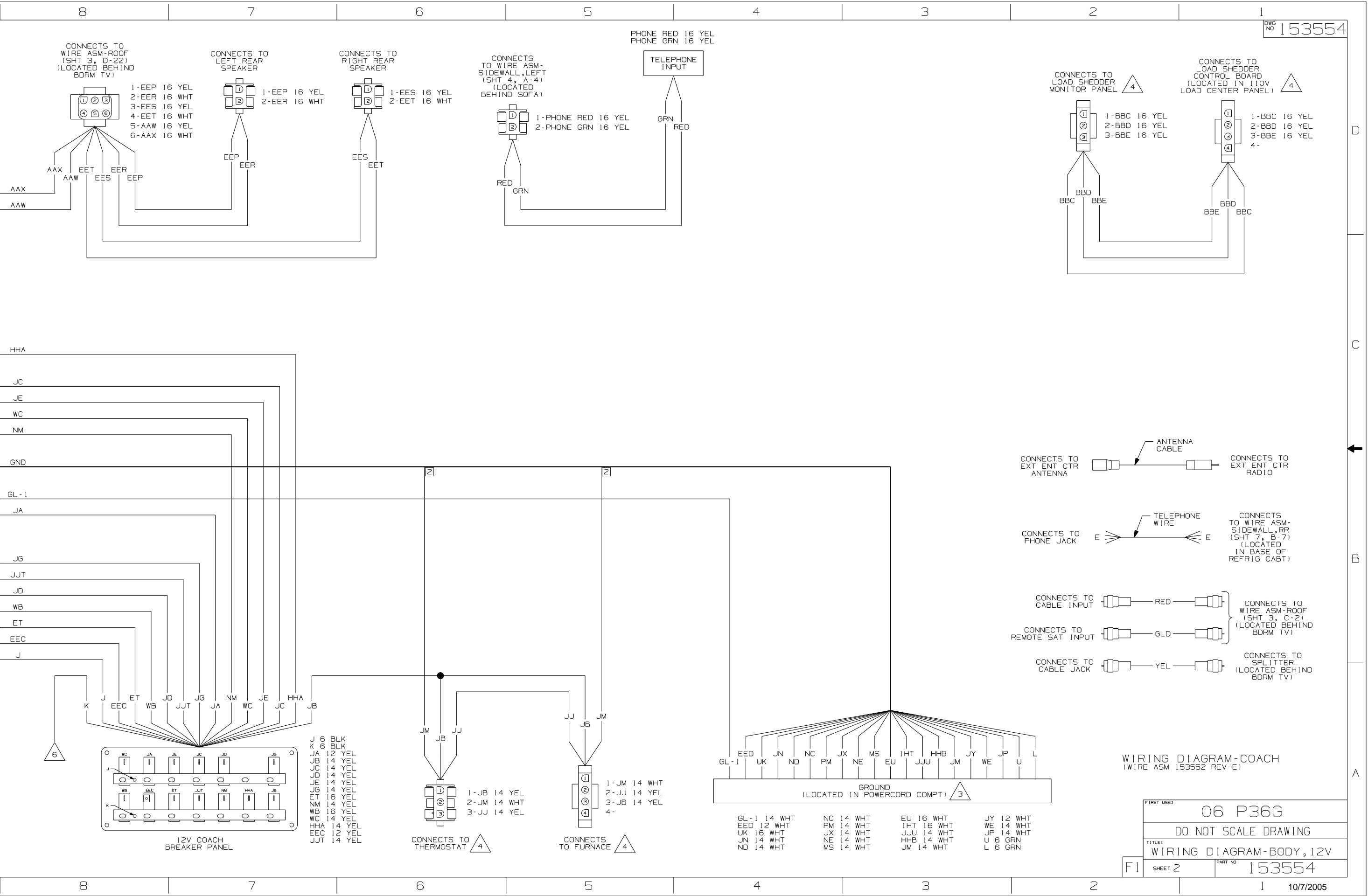
FFJ FFH

1-FFH 12 YEL  
2-FFJ 12 WHT

CONNECTS TO AWNING CONTROL BOX

FFG FFF

1-FFF 12 YEL  
2-FFG 12 WHT



CONNECTS TO WIRE ASM-ROOF (SHT 3, D-22) (LOCATED BEHIND BDRM TV)

CONNECTS TO LEFT REAR SPEAKER

CONNECTS TO RIGHT REAR SPEAKER

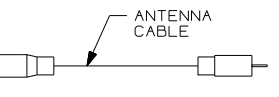
CONNECTS TO WIRE ASM-SIDEWALL, LEFT (SHT 4, A-4) (LOCATED BEHIND SOFA)

PHONE RED 16 YEL  
PHONE GRN 16 YEL  
TELEPHONE INPUT

CONNECTS TO LOAD SHEDDER MONITOR PANEL 4

CONNECTS TO LOAD SHEDDER CONTROL BOARD (LOCATED IN 110V LOAD CENTER PANEL) 4

CONNECTS TO EXT ENT CTR ANTENNA



CONNECTS TO EXT ENT CTR RADIO

CONNECTS TO PHONE JACK



CONNECTS TO WIRE ASM-SIDEWALL, RR (SHT 7, B-7) (LOCATED IN BASE OF REFRIG CABT)

CONNECTS TO CABLE INPUT



CONNECTS TO WIRE ASM-ROOF (SHT 3, C-2) (LOCATED BEHIND BDRM TV)

CONNECTS TO REMOTE SAT INPUT

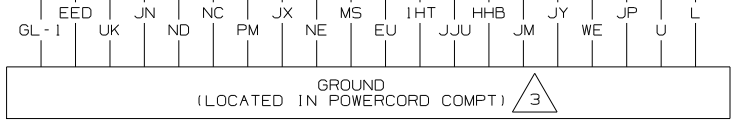


CONNECTS TO CABLE JACK



CONNECTS TO SPLITTER (LOCATED BEHIND BDRM TV)

WIRING DIAGRAM-COACH (WIRE ASM 153552 REV-E)

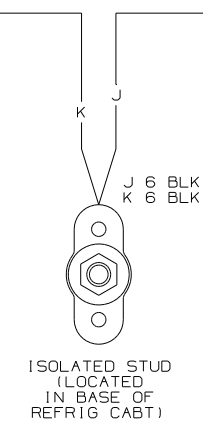
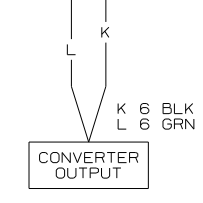
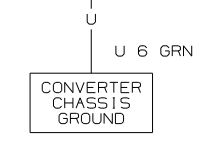
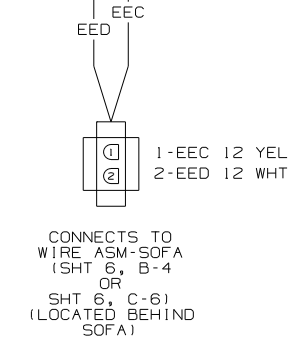
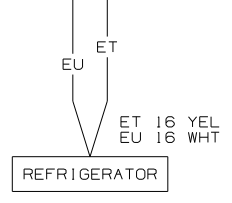
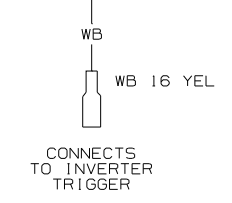
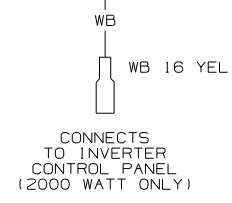
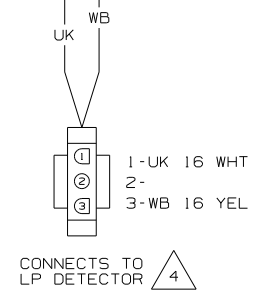
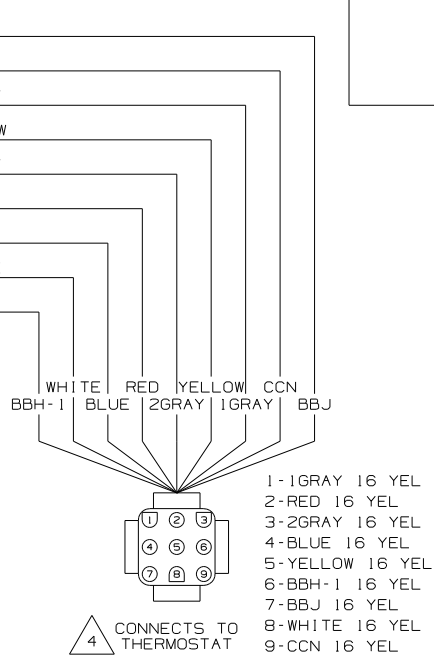
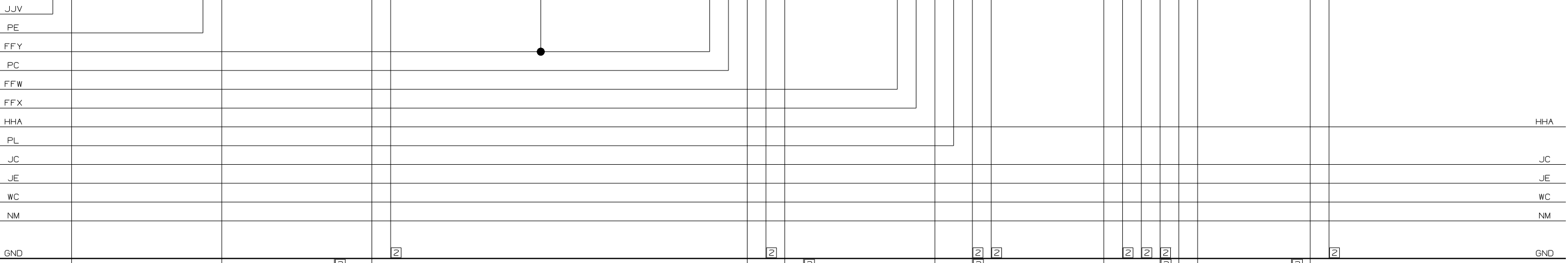
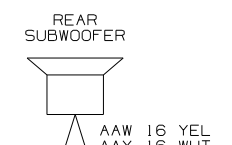
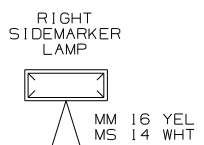
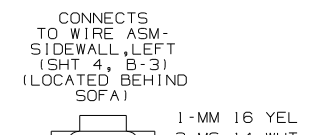
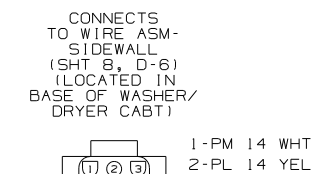
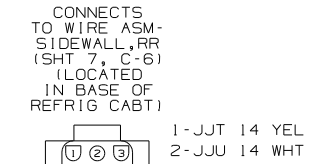
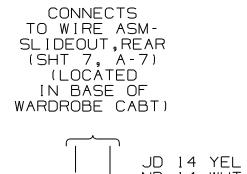
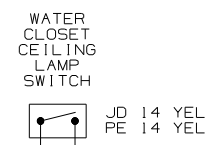
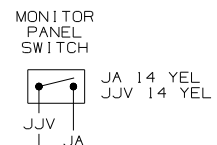


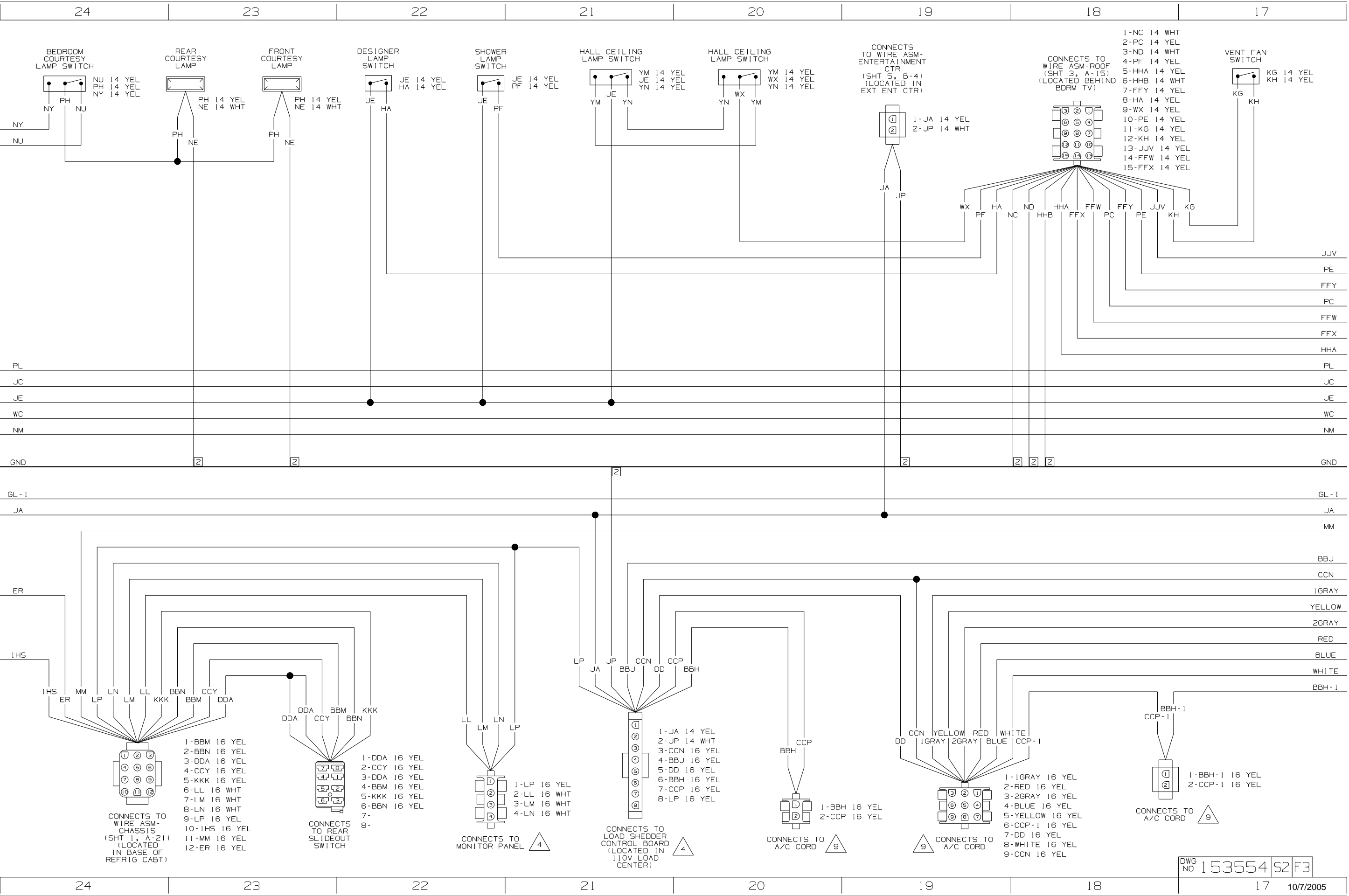
- GL-1 14 WHT
- EED 12 WHT
- UK 16 WHT
- JN 14 WHT
- ND 14 WHT
- NC 14 WHT
- PM 14 WHT
- JX 14 WHT
- NE 14 WHT
- MS 14 WHT
- EU 16 WHT
- IHT 16 WHT
- JJU 14 WHT
- JHB 14 WHT
- JM 14 WHT
- JY 12 WHT
- WE 14 WHT
- JP 14 WHT
- U 6 GRN
- L 6 GRN

- J 6 BLK
- K 6 BLK
- JA 12 YEL
- JB 14 YEL
- JC 14 YEL
- JD 14 YEL
- JE 14 YEL
- JG 14 YEL
- JJ 14 YEL
- ET 16 YEL
- NM 14 YEL
- WB 16 YEL
- WC 14 YEL
- HA 14 YEL
- EEC 12 YEL
- JJT 14 YEL

- 1-JB 14 YEL
- 2-JM 14 WHT
- 3-JJ 14 YEL
- 4-
- 1-JM 14 WHT
- 2-JJ 14 YEL
- 3-JB 14 YEL
- 4-

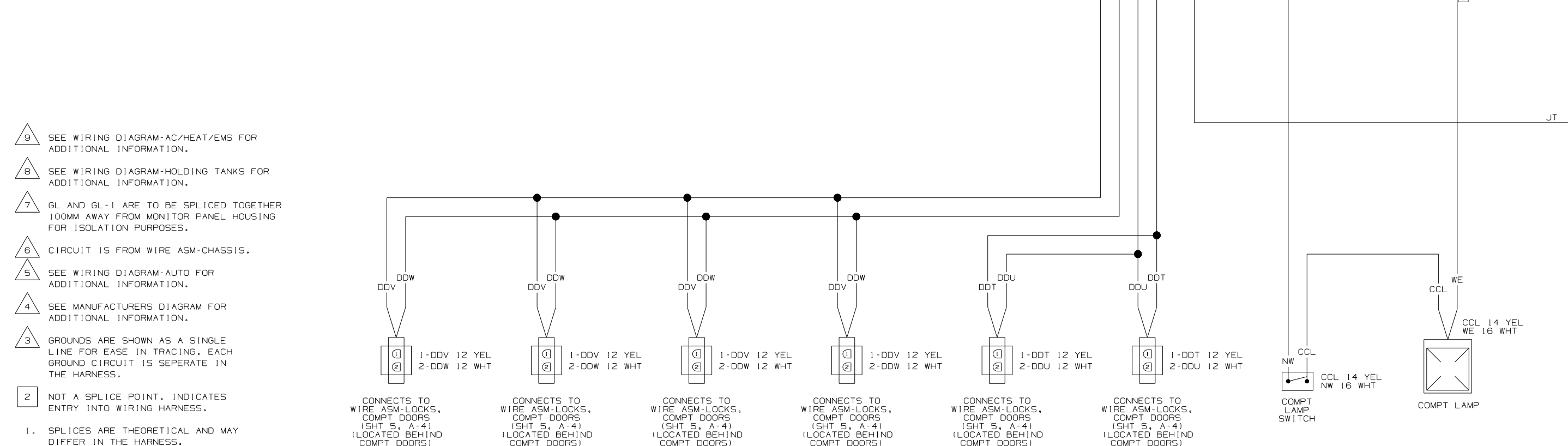
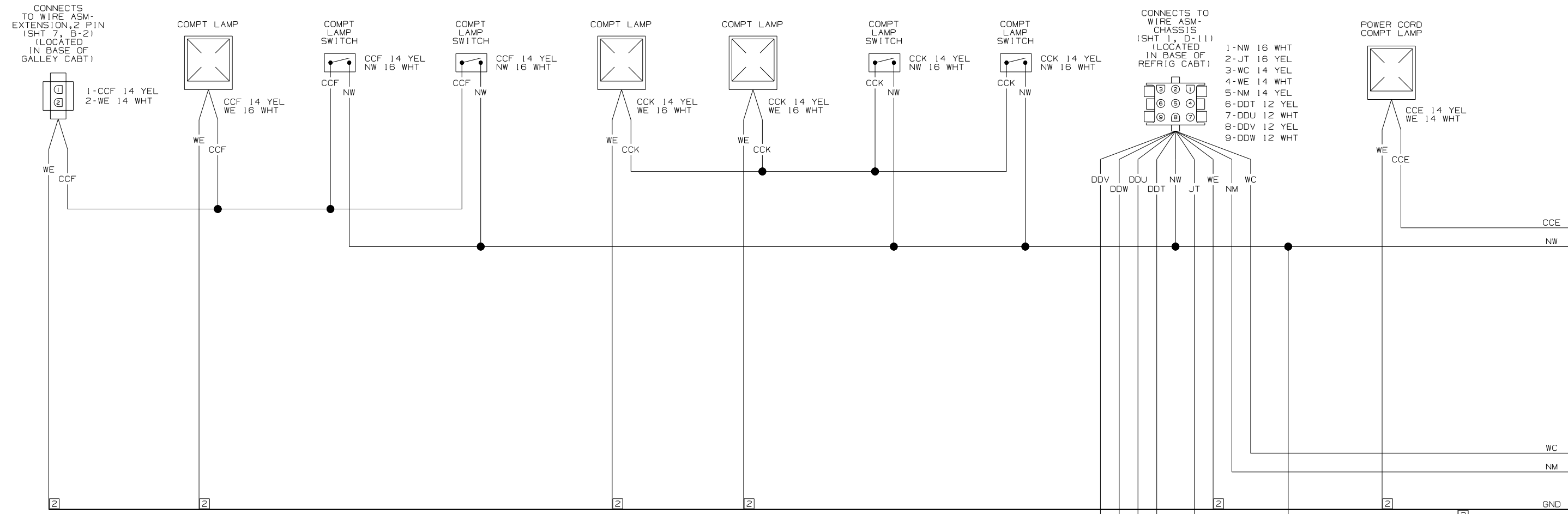
FIRST USED	06 P36G	
TITLE	DO NOT SCALE DRAWING	
	WIRING DIAGRAM-BODY, 12V	
SHEET 2	PART NO	153554





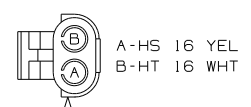




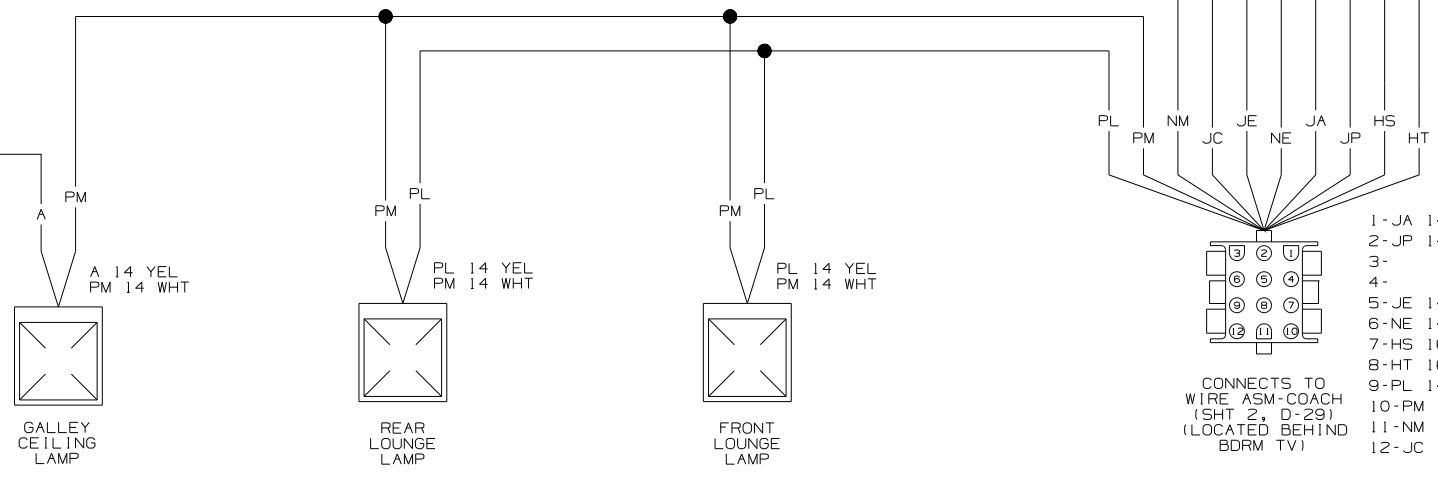
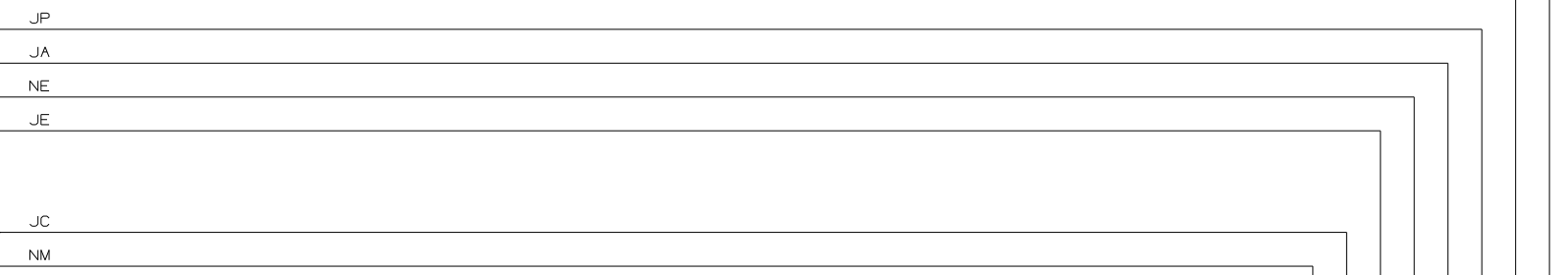
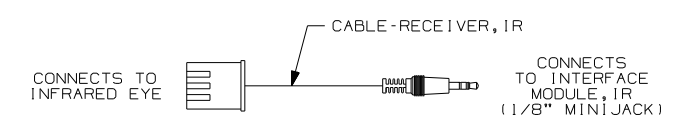
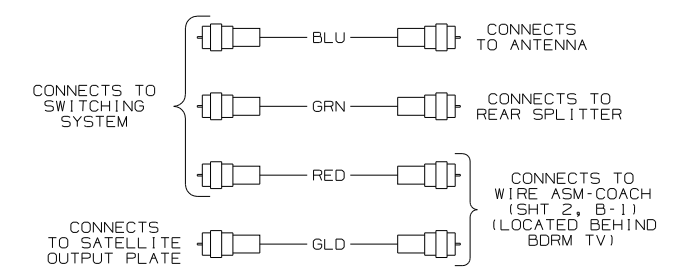


- 9 SEE WIRING DIAGRAM-AC/HEAT/EMS FOR ADDITIONAL INFORMATION.
  - 8 SEE WIRING DIAGRAM-HOLDING TANKS FOR ADDITIONAL INFORMATION.
  - 7 GL AND GL-1 ARE TO BE SPLICED TOGETHER 100MM AWAY FROM MONITOR PANEL HOUSING FOR ISOLATION PURPOSES.
  - 6 CIRCUIT IS FROM WIRE ASM-CHASSIS.
  - 5 SEE WIRING DIAGRAM-AUTO FOR ADDITIONAL INFORMATION.
  - 4 SEE MANUFACTURERS DIAGRAM FOR ADDITIONAL INFORMATION.
  - 3 GROUNDS ARE SHOWN AS A SINGLE LINE FOR EASE IN TRACING. EACH GROUND CIRCUIT IS SEPERATE IN THE HARNESS.
  - 2 NOT A SPLICE POINT. INDICATES ENTRY INTO WIRING HARNESS.
- NOTES:
1. SPLICES ARE THEORETICAL AND MAY DIFFER IN THE HARNESS.

CONNECTS TO SOLAR PANEL



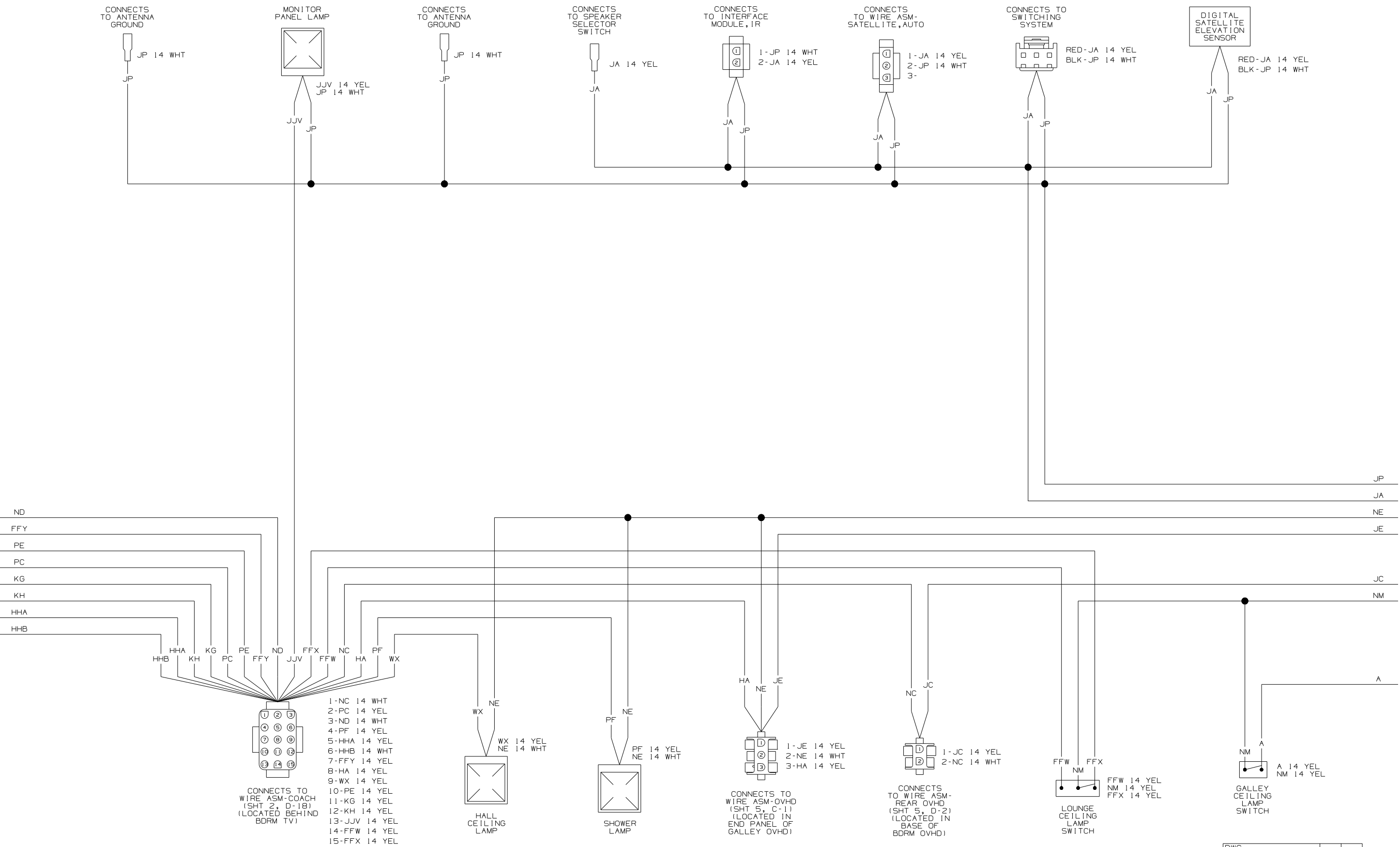
HS HT

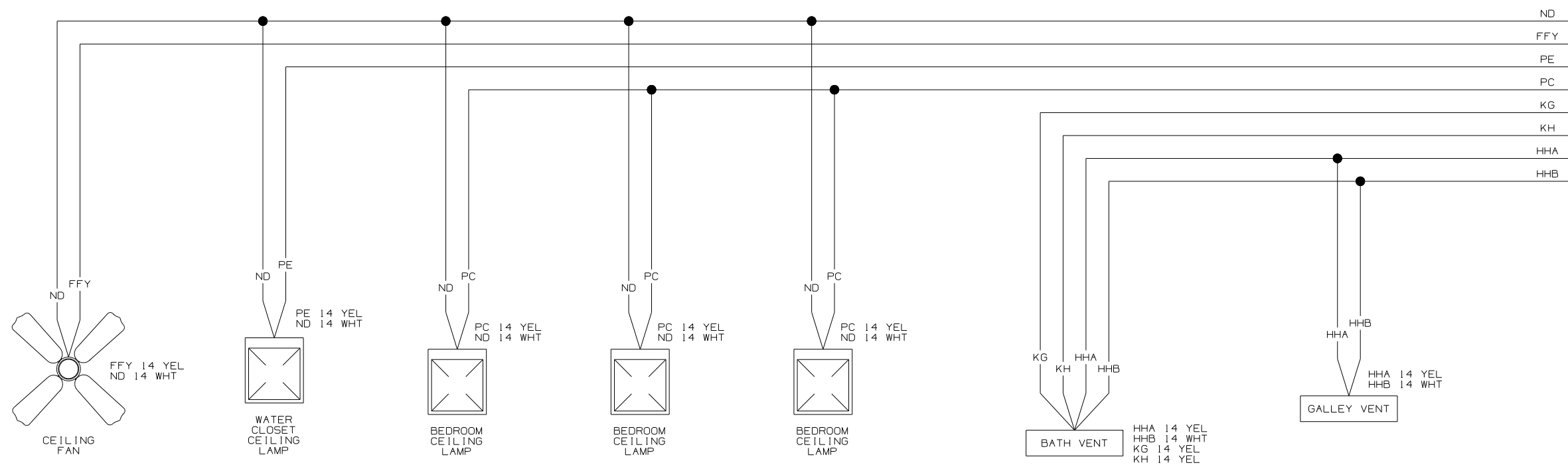
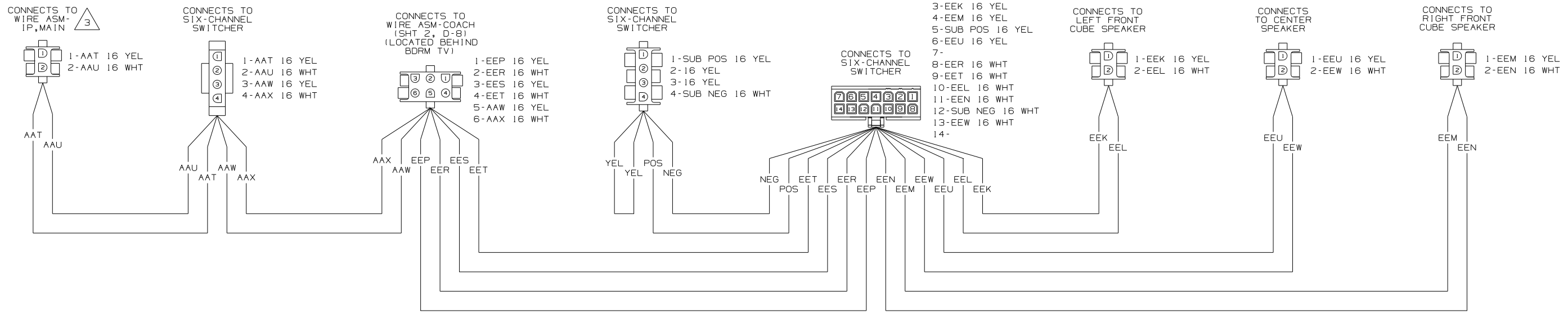


- CONNECTS TO WIRE ASM-COACH (SHT 2, D-29) (LOCATED BEHIND BDRM TV)
- 1-JA 14 YEL
  - 2-JP 14 WHT
  - 3-
  - 4-
  - 5-JE 14 YEL
  - 6-NE 14 WHT
  - 7-HS 16 YEL
  - 8-HT 16 WHT
  - 9-PL 14 YEL
  - 10-PM 14 WHT
  - 11-NM 14 YEL
  - 12-JC 14 YEL

WIRING DIAGRAM-ROOF  
(WIRE ASM 153553 REV-J)

FIRST USED	06 P36G	
TITLE	DO NOT SCALE DRAWING	
	WIRING DIAGRAM-BODY, 12V	
SHEET 3	PART NO	153554





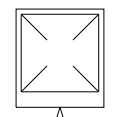
3 SEE WIRING DIAGRAM-AUTO FOR ADDITIONAL INFORMATION.

2 SEE MANUFACTURERS DIAGRAM FOR ADDITIONAL INFORMATION.

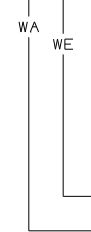
1. SPLICES ARE THEORETICAL AND MAY DIFFER IN THE HARNESS.

NOTES:

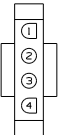
WATER CENTER  
COMPT LAMP



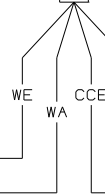
WA 14 YEL  
WE 14 WHT



CONNECTS TO  
WIRE ASM-COACH  
(SHT 2, D-32)  
(LOCATED  
IN BASE OF  
WASHER/DRYER  
CABT)



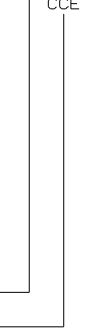
1-WA 14 YEL  
2-WE 14 WHT  
3-NW 14 YEL  
4-CCE 14 YEL



COMPT LAMP  
SWITCH

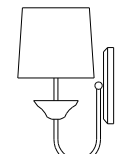


NW 14 YEL  
CCE 14 YEL

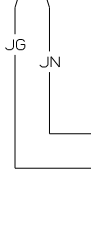


WIRING DIAGRAM-COMPT,LAMPS  
(WIRE ASM 140654 REV-A)

WALL LAMP



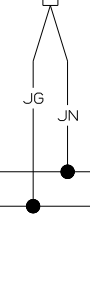
JG 14 YEL  
JN 14 WHT



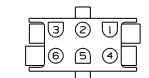
CONNECTS TO  
WIRE ASM-  
OVHD,LEFT  
(SHT 7, D-8)  
(LOCATED IN  
BASE OF  
LOUNGE OVHD)



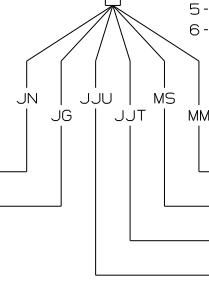
1-JG 14 YEL  
2-JN 14 WHT



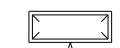
CONNECTS TO  
WIRE ASM-COACH  
(SHT 2, D-11)  
(LOCATED  
BEHIND SOFA)



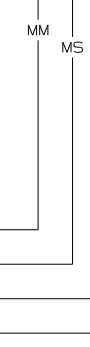
1-MM 14 YEL  
2-MS 14 WHT  
3-JJT 14 YEL  
4-JJU 14 WHT  
5-JG 14 YEL  
6-JN 14 WHT



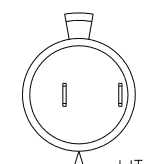
LEFT SIDE  
MARKER LAMP



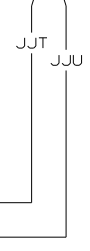
MM 14 YEL  
MS 14 WHT



12V  
RECEPTACLE



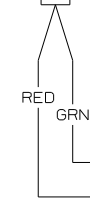
JJT 14 YEL  
JJU 14 WHT



CONNECTS TO  
WIRE ASM-COACH  
(SHT 2, D-5)  
(LOCATED  
BEHIND SOFA)

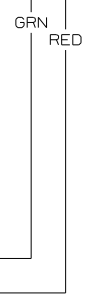


1-PHONE RED 16 YEL  
2-PHONE GRN 16 YEL



PHONE JACK

PHONE RED 16 YEL  
PHONE GRN 16 YEL

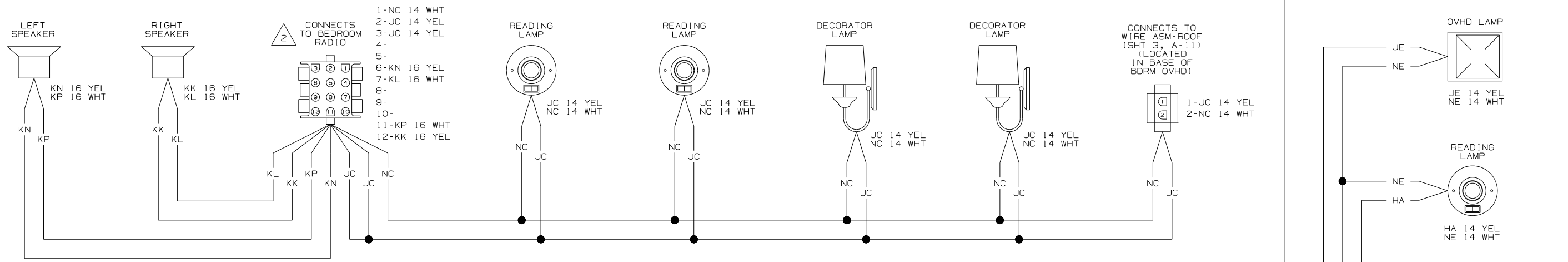


WIRING DIAGRAM-SIDEWALL,LEFT  
(WIRE ASM 153909 REV-A)

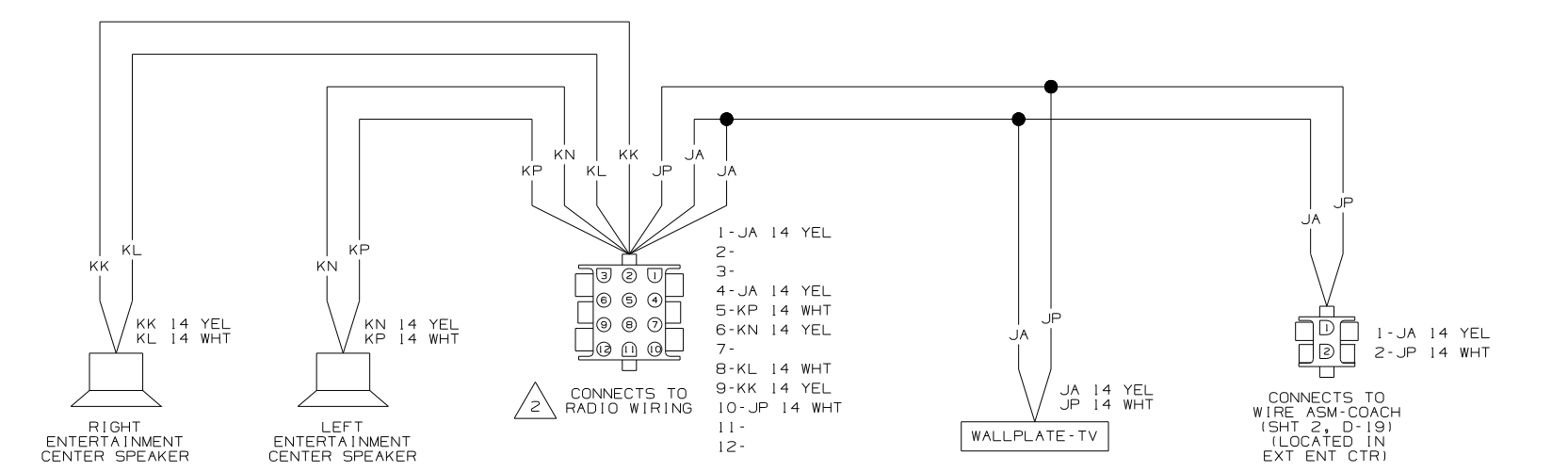
- 3 SEE WIRING DIAGRAM-AUTO FOR ADDITIONAL INFORMATION.
- 2 SEE MANUFACTURERS DIAGRAM FOR ADDITIONAL INFORMATION.
1. SPLICES ARE THEORETICAL AND MAY DIFFER IN THE HARNESS.

NOTES:

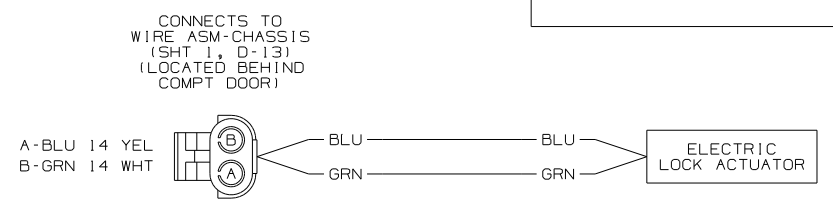
FIRST USED	06 P36G
TITLE	DO NOT SCALE DRAWING
	WIRING DIAGRAM-BODY,12V
SHEET 4	PART NO 153554



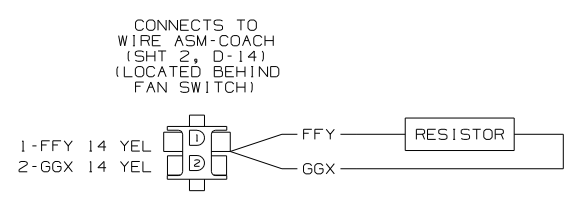
WIRING DIAGRAM-REAR OVHD  
(WIRE ASM 152871 REV-B)



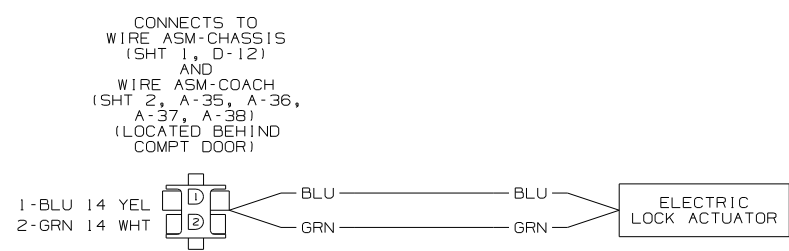
WIRING DIAGRAM-ENTERTAINMENT CTR  
(WIRE ASM 125853-04 REV-L)



WIRING DIAGRAM-LOCKS, COMPT DOORS  
(WIRE ASM 135834-03 REV-J)



WIRING DIAGRAM-RESISTOR, FAN  
(WIRE ASM 140195 REV-A)



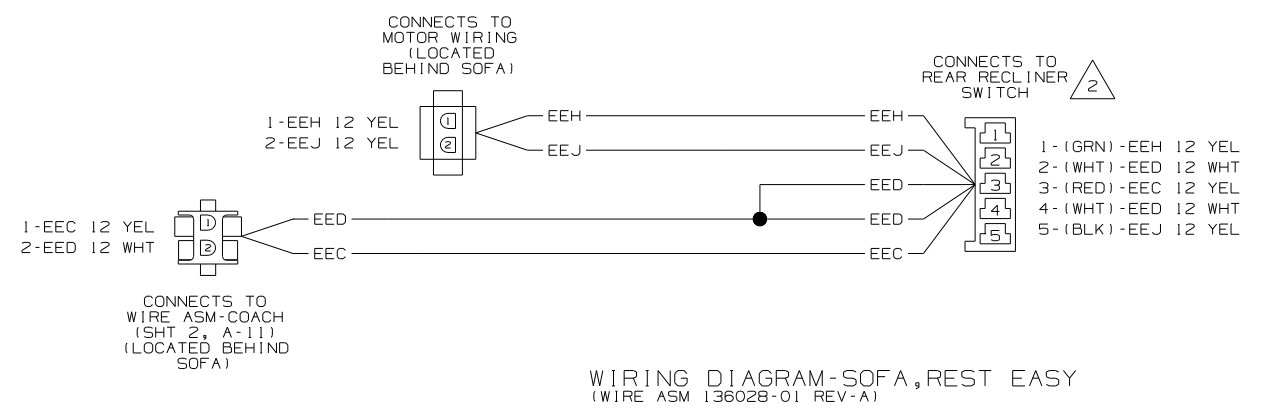
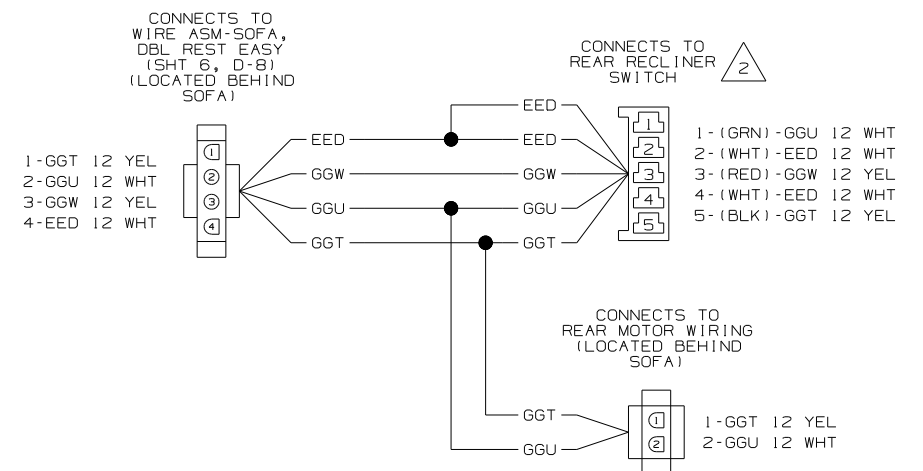
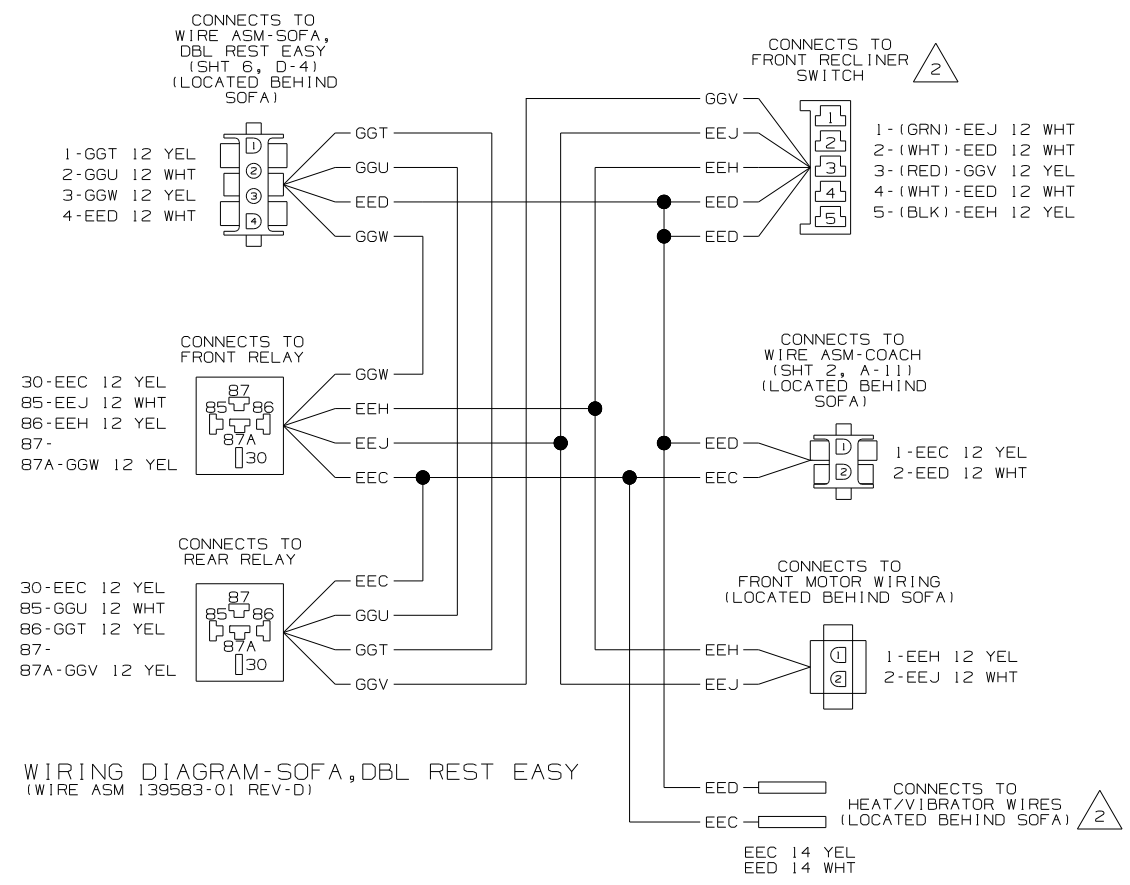
WIRING DIAGRAM-LOCKS, COMPT DOORS  
(WIRE ASM 135834-02 REV-J AND WIRE ASM 135834-05 REV-J)

SEE MANUFACTURERS DIAGRAM FOR ADDITIONAL INFORMATION.

1. SPLICES ARE THEORETICAL AND MAY DIFFER IN THE HARNESS.

NOTES:

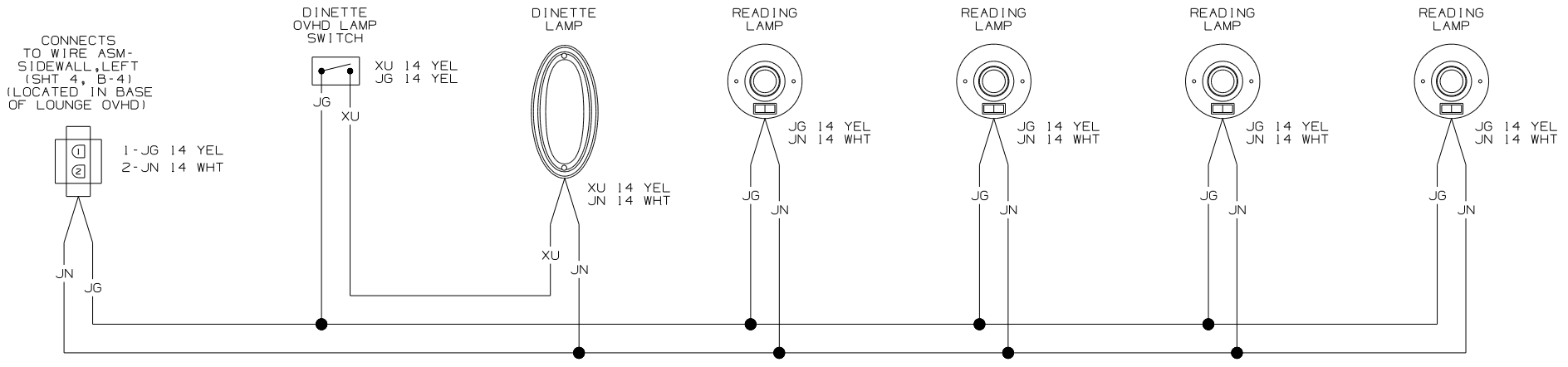
FIRST USED	06 P36G
TITLE	DO NOT SCALE DRAWING
	WIRING DIAGRAM-BODY, 12V
SHEET 5	PART NO 153554



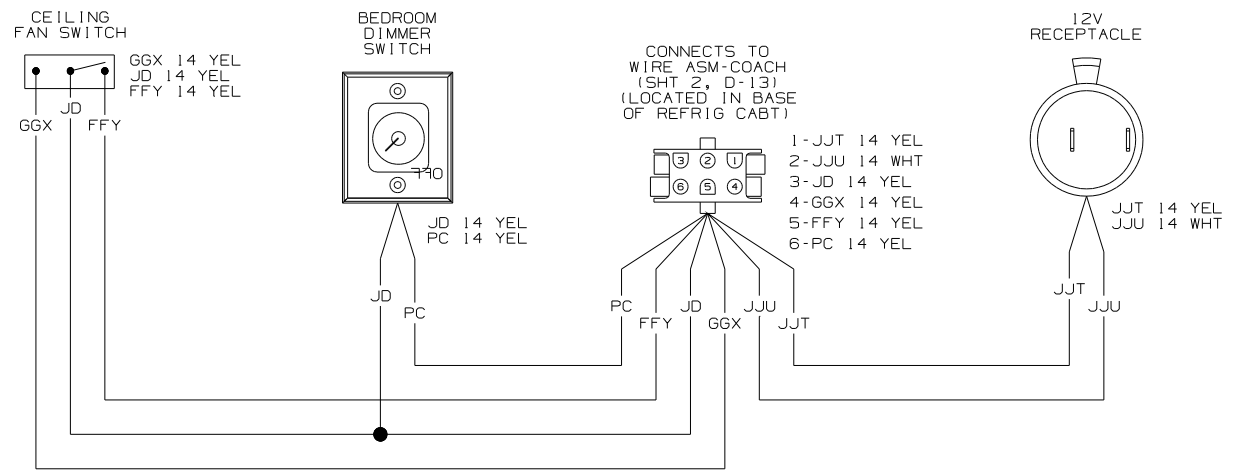
SEE MANUFACTURERS DIAGRAM FOR ADDITIONAL INFORMATION.

1. SPLICES ARE THEORETICAL AND MAY DIFFER IN THE HARNESS.

FIRST USED	06 P36G
TITLE	DO NOT SCALE DRAWING
	WIRING DIAGRAM-BODY, 12V
SHEET 6	PART NO 153554



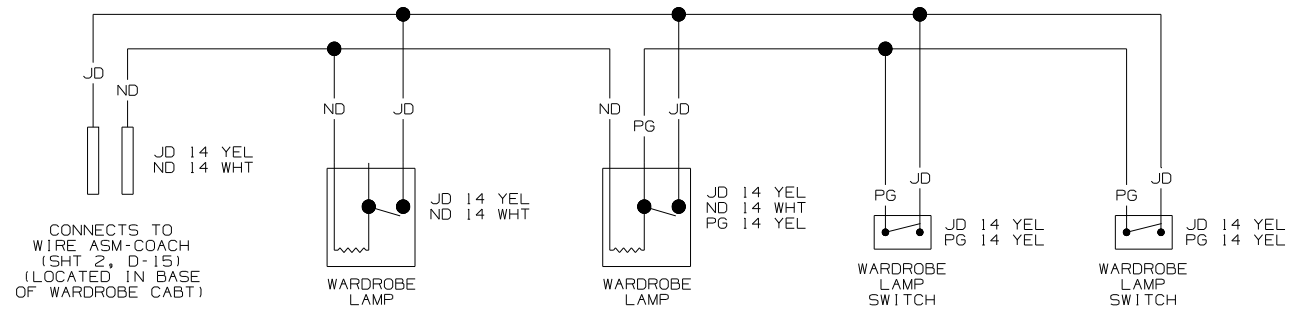
WIRING DIAGRAM-OVHD, LEFT  
(WIRE ASM 153910 REV-A)



WIRING DIAGRAM-SIDEWALL, RR  
(WIRE ASM 147104-03 REV-D)

WIRING DIAGRAM-SIDEWALL  
(WIRE ASM 77093-10 REV-AG)

WIRING DIAGRAM-EXTENSION, 2 PIN  
(WIRE ASM 149130 REV-B)

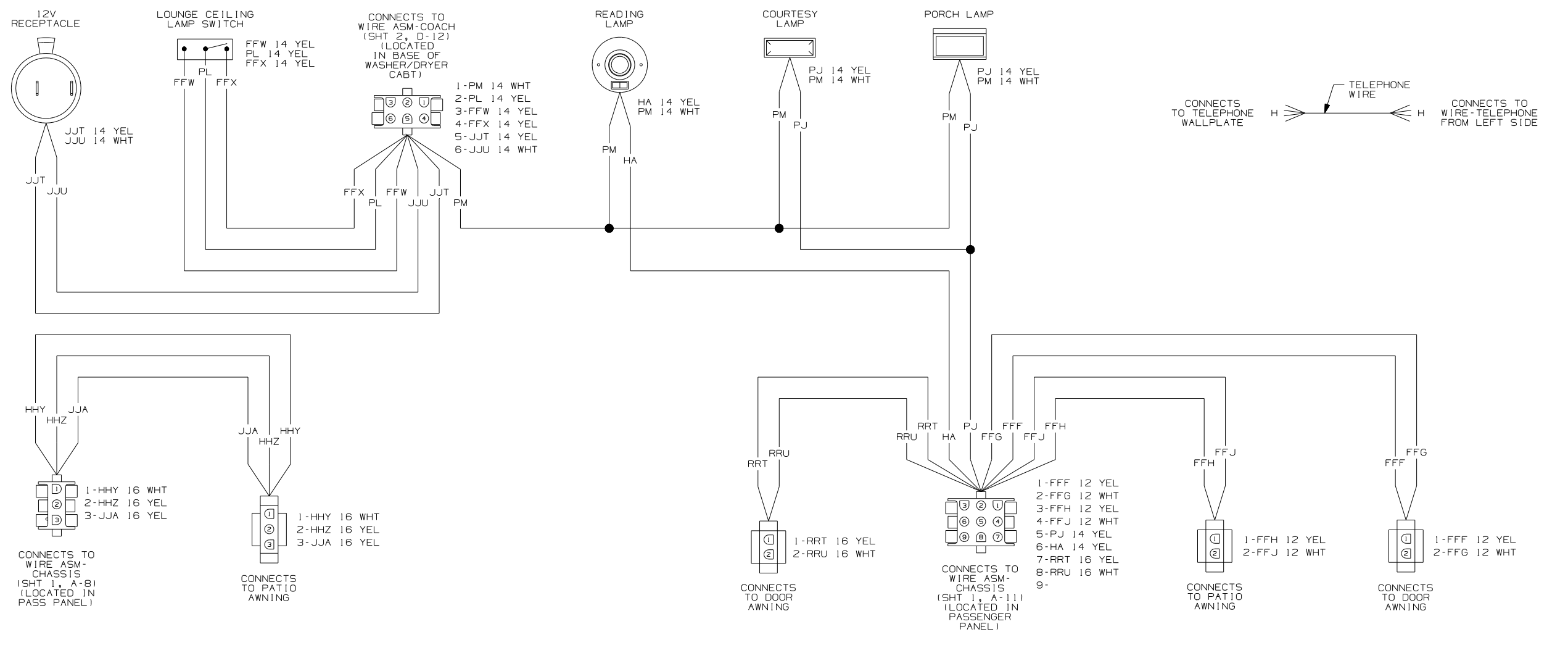


WIRING DIAGRAM-SLIDEOUT, REAR  
(WIRE ASM 137456 REV-E)

NOTES:  
1. SPLICES ARE THEORETICAL AND MAY DIFFER IN THE HARNESS.

FIRST USED	06 P36G
TITLE	DO NOT SCALE DRAWING
TITLE	WIRING DIAGRAM-BODY, 12V
SHEET 7	PART NO 153554





WIRING DIAGRAM-SIDEWALL (WIRE ASM 156295 REV-A)

- 3 SEE WIRING DIAGRAM-AUTO FOR ADDITIONAL INFORMATION.
  - 2 SEE MANUFACTURERS DIAGRAM FOR ADDITIONAL INFORMATION.
1. SPLICES ARE THEORETICAL AND MAY DIFFER IN THE HARNESS.

NOTES:

FIRST USED	06 P36G
TITLE	DO NOT SCALE DRAWING
TITLE	WIRING DIAGRAM-BODY, 12V
SHEET 8	PART NO 153554