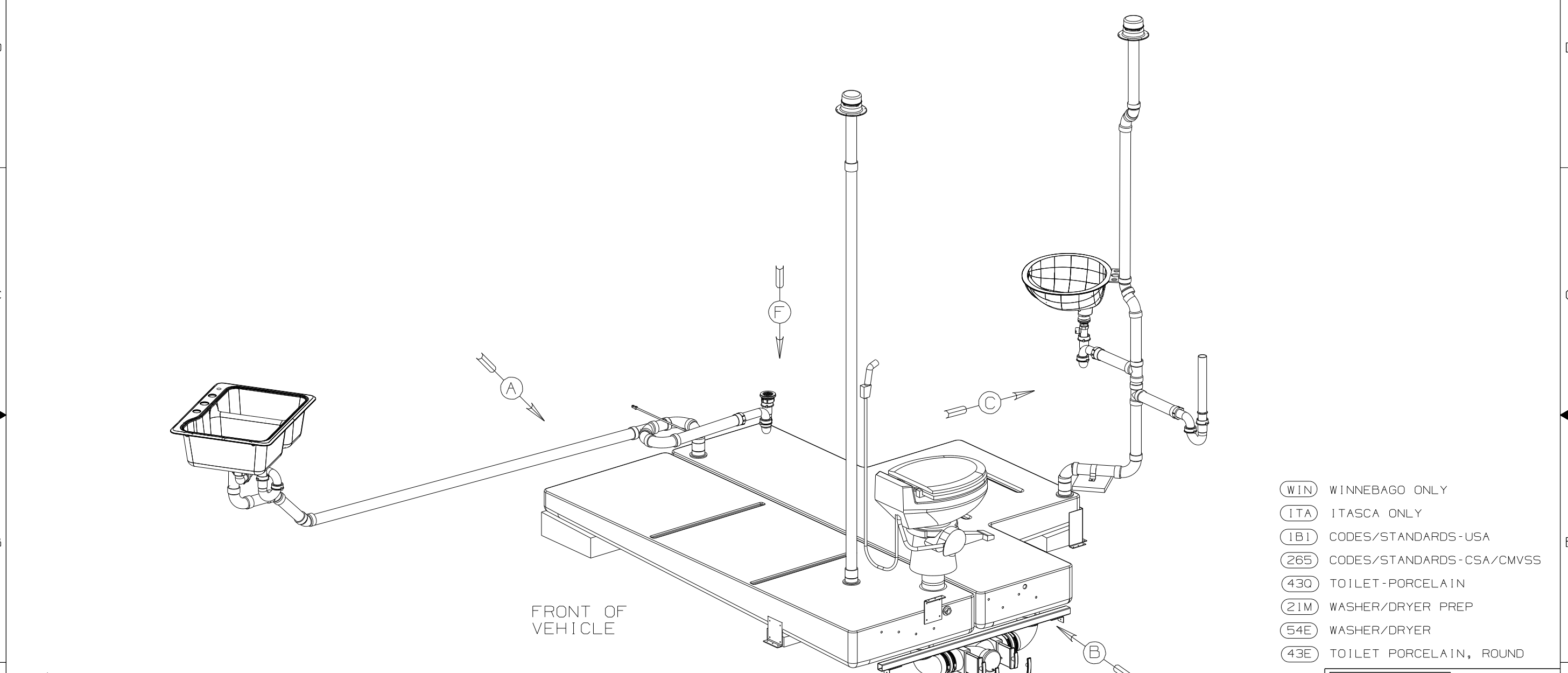


DWG NO	---
152500-01	(WIN)
152500-02	(ITA)

RELEASE	REV DATE	DWG NO
A		152500
REV ZONE	REVISION RECORD	DATE
		DFTR-ORIG



- (WIN) WINNEBAGO ONLY
- (ITA) ITASCA ONLY
- (IB1) CODES/STANDARDS-USA
- (265) CODES/STANDARDS-CSA/CMVSS
- (430) TOILET-PORCELAIN
- (21M) WASHER/DRYER PREP
- (54E) WASHER/DRYER
- (43E) TOILET PORCELAIN, ROUND

- △ (B) FASTEN TO BOTTOM OF UPPER FLOOR.
- △ (7) VENT PIPE MUST PROJECT 51 MIN AND 63.5 MAX ABOVE ROOF FOR PROPER FIT AND FUNCTION.

6. SEE DWG 61607-01-000 FOR INSTL OF GROMMETS
5. SEAL AROUND SHOWER WITH SILICONE.
4. ALL EXTERIOR OPENINGS AROUND PIPE TO BE SEALED WITH 110744-01-000.
3. ALL PIPE AND FITTINGS TO BE ASSEMBLED WITH SOLVENT 4020-01-000.
2. SLOPE OF TRAP ARM MUST BE 6 PER 305 MM.
1. SLOPE OF HORIZONTAL PIPING TO BE 6 PER 305 MM.

NOTES:

(X-X)
FOR DRAINAGE CALLOUTS SEE DWG NO 116229-01-000

WINNEBAGO		COPYRIGHT 2005 WINNEBAGO INDUSTRIES, INC.	
DFTR	ORIG. DATE	ALL DIMENSIONS ARE IN MILLIMETERS	
CHKR		FIRST USED	
P.E.		06 P36G	
M.E.		UNSPECIFIED TOLERANCES ARE:	
DSNR		MATERIAL:	
		WHOLE DIM (X)	: 7
		ONE-PLACE (X.X)	:
		TWO-PLACE (X.XX)	:
		ANGLE	:
		THIRD ANGLE PROJECTION	
DO NOT SCALE DRAWING			
TITLE:		DRAINAGE SYSTEM INSTL	
SHEET 1 OF 3	PART NO	152500	
REF:	1 9/7/2005		

- WIN WIN WIN
- IB1 265 IB1
- A-15 P-3 P-1

DETAIL D

- SHOWER INSTL 147869-02-000 (WIN)
- STRAINER 66440-01-000
- SEALER 69640-01-000
- NUT 130403-01-000
- TAILPIECE 11069-06-000
- WASHER 127440-02-CHT

15" WIRE TIE W/HOLE 108046-02-000

- 7 CP-2
- S-1
- 1 300
- C-3
- 1 1970

- TOILET 152830-01-CHT (43Q)
- SCREW 87721-01-000 (8)
- TOILET-TRAVELER 152829-01-CHT (43E)
- SCREW 667-10-48B (8)

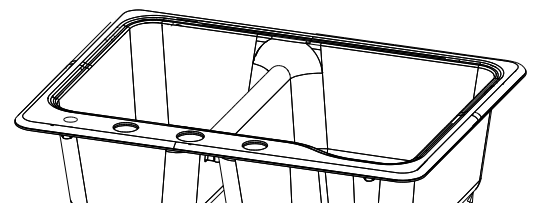
- 8 C-3
- 1 55
- G-1
- 2 125
- F-7
- G-2

VIEW B

- 265 1 240
- IB1 1 140
- VM-1

VIEW A

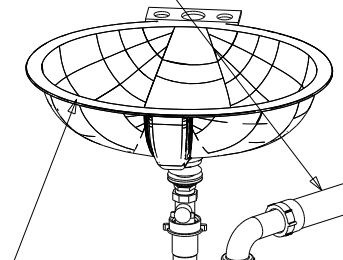
- T-1
- E-1
- 1 200
- 1 145
- 1 130
- E-1
- E-6



- SINK-GALLEY 148870-01-CHT
- STRAINER 92303-01-000 (2)
- SEAL 91255-02-000 (A/R)
- ANGLE-FORMED 140002-01-CHT (10)
- SCREW 667-10-08B (8)

WASTE-CONT 11091-02-000

- 265 1 150
- IB1 1 225



- SINK 155318-01-CHT
- ANGLE 153338-02-CHT (10)
- SCREW 667-08-10U (20)
- WASHER-FOAM 147930-01-000
- TAILPIECE (SUPPLIES W/FAUCET)

- IB1 P-1
- 265 P-3
- IB1 A-15

- 54E 21M
- PIPE-STAND 130234-01-000
- PLUG 61420-10-000 (21M)

- E-1
- E-5
- 1 250

- T-1
- 1 50

- 1 265
- 1 215
- IB1 265
- 54E 21M
- IB1 21M
- 21M 54E
- 21M 54E
- 54E

- 1 35
- C-3
- 1 55
- G-1

- PLYWOOD 860-51-186
- STRAP-CONDUIT, 2" 8406-01-000

VIEW C

- IB1 P-1
- 265 P-3
- IB1 A-15

- SHOWER INSTL 142018-01-000
- STRAINER 66440-01-000
- SEALER 69640-01-000
- NUT 130403-01-000
- TAILPIECE 11069-06-000
- WASHER 127440-02-CHT

DETAIL D (ITA)

FIRST USED	06 P36G
DO NOT SCALE DRAWING	
TITLE: DRAINAGE SYSTEM INSTL	
SHEET 2	PART NO 152500

8 7 6 5 4 3 2 1

D

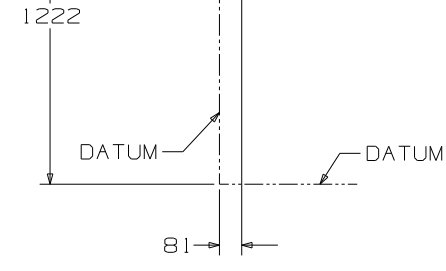
C

B

A

FRONT AXLE

OF VEHICLE



PLATFORM ASM
126714-35-000

PLYWOOD
852-51-630
(150 X 152)

4076

PLATFORM ASM
126714-36-000

TANK-HOLDING
132407-16-000

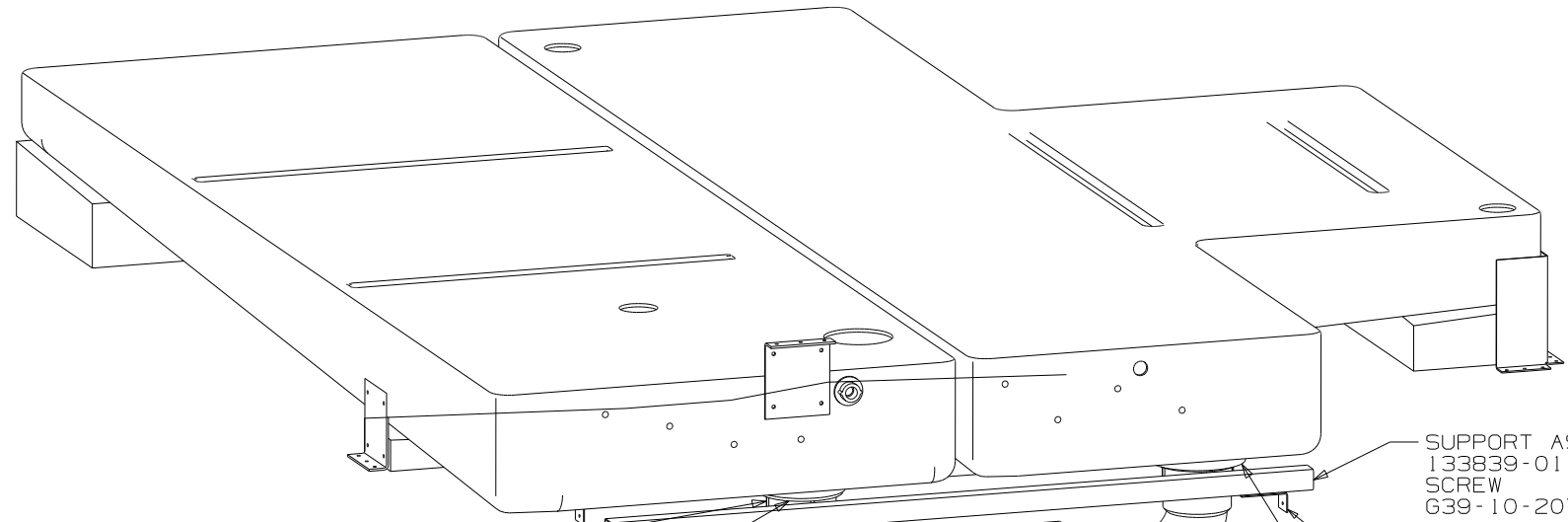
PLATFORM ASM
126714-34-000

BRACKET
94756-02-CHT (4)
SCREW
G39-10-10T (20)

BRACKET-HOLDING TANK
126796-05-CHT

TANK-HOLDING
132408-20-000

VIEW F



SUPPORT ASM-HOLDING TANK
133839-01-CHT (2)
SCREW
G39-10-20T (2)

ANGLE-FORMED
132871-03-CHT (2)
SCREW
G39-10-20T (2)
G39-10-12T (2)

CLAMP-HOSE
62401-09-000 (2)

VALVE
144728-01-000
CLAMP-HOSE
62401-09-000
LABEL-DRIP VALVE
147845-01-CHT

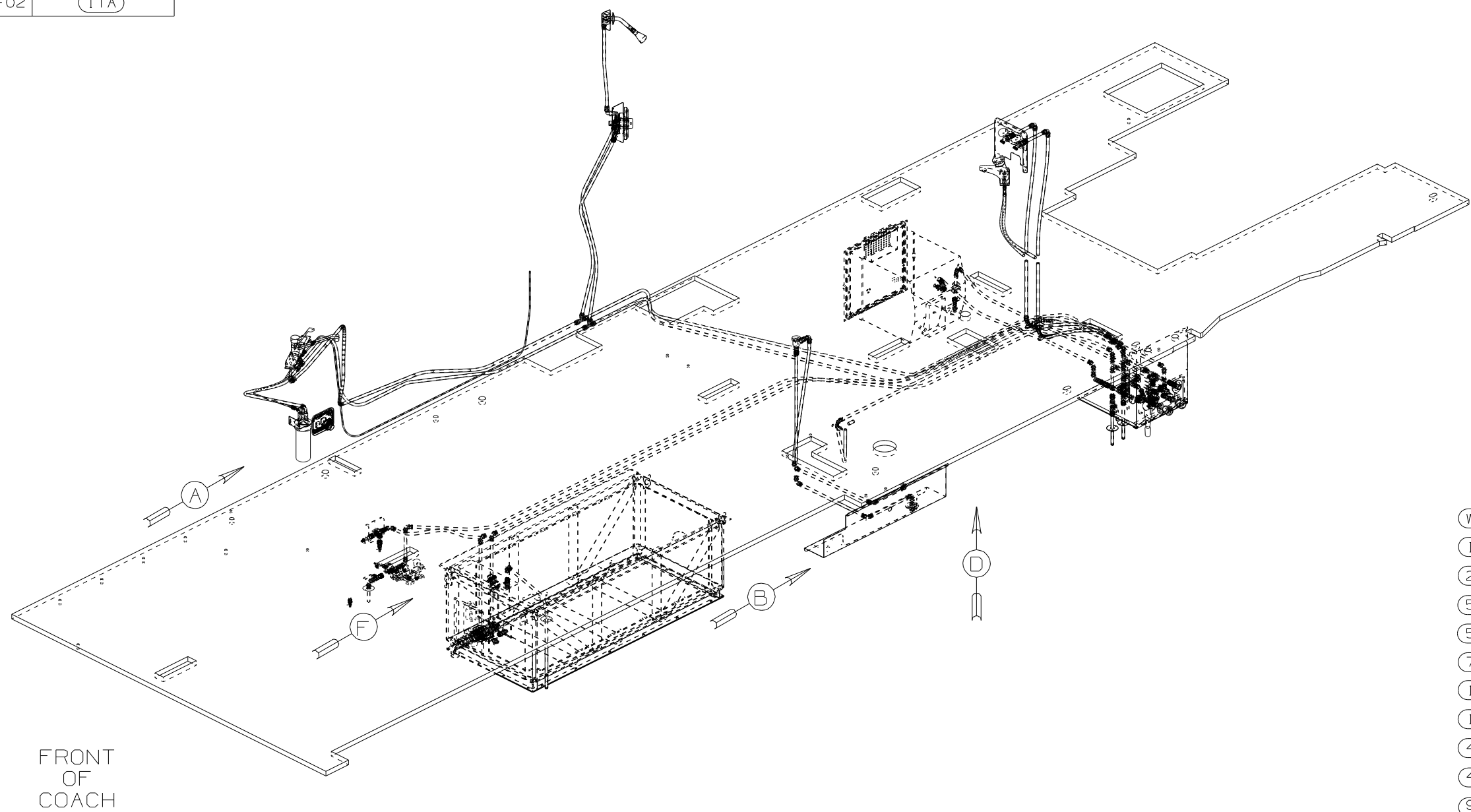
VIEW E

FIRST USED	06 P36G
TITLE	DO NOT SCALE DRAWING
TITLE	DRAINAGE SYSTEM INSTL
SHEET 3	PART NO 152500

8 7 6 5 4 3 2 1

DWG NO	---
152499-01	(WIN)
152499-02	(ITA)

RELEASE	REV DATE	DWG NO
A		152499
REV ZONE	REVISION RECORD	DATE
		DFTR-ORIG



FRONT
OF
COACH

- (WIN) WINNEBAGO ONLY
- (ITA) ITASCA ONLY
- (21M) WASHER/DRYER
- (54E) WASHER/DRYER PREP
- (53E) WATER SYS WINTERIZATION PKG
- (79W) REFRIGERATOR-4 DOOR
- (15U) REFRIGERATOR/FRZR W/ICEMAKER
- (144) REFRIGERATOR-DOUBLE DOOR
- (43A) SHOWER HEAD FIXED
- (43H) SHOWER HEAD-HAND HELD
- (9B1) SHOWER PACKAGE
- (29B) WATER PURIFIER

- △ 7 USE IN PLACE OF SUPPLIED SCREWS TO ATTACH BRACKET TO WALL.
 - △ 6 ADD TEFLON TAPE 10405-03-000 TO FITTING.
 - △ 5 ADD TEFLON TAPE 10405-02-000 TO FITTING.
 - △ 4 ADD TEFLON TAPE 10405-01-000 TO FITTING.
3. ALL TUBING TO BE SECURED AT 1200 INTERVALS MAXIMUM WITH CLAMP 10495-01-000 AND SCREW G67-10-12B, OR EQUIVALENT.
 2. TUBING TO BE INSTALLED WITH SUFFICIENT SLOPE TO PROVIDE DRAINAGE TO NEAREST VALVE.
 1. PLASTIC FITTINGS TO BE SEALED WITH SEALANT 84456-01-000.

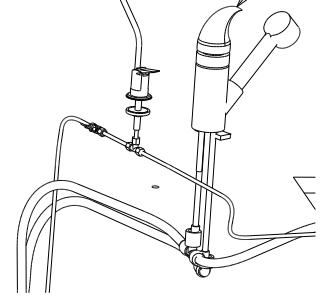
NOTES:

WINNEBAGO		COPYRIGHT 2006 WINNEBAGO INDUSTRIES, INC.	
DFTR	ORIG. DATE	ALL DIMENSIONS ARE IN MILLIMETERS	
CHKR			
P.E.			
M.E.	FIRST USED	06 P36G	
DSNR			
UNSPECIFIED TOLERANCES ARE:		MATERIAL:	
WHOLE DIM (X)	: 7		
ONE-PLACE (X.X)	:		
TWO-PLACE (X.XX)	:		
ANGLE	:		
THIRD ANGLE PROJECTION			
DO NOT SCALE DRAWING			
TITLE: WATER SYSTEM INSTL			
SHEET 1 OF 5	PART NO	152499	REV
REF:	1 6/13/2006		

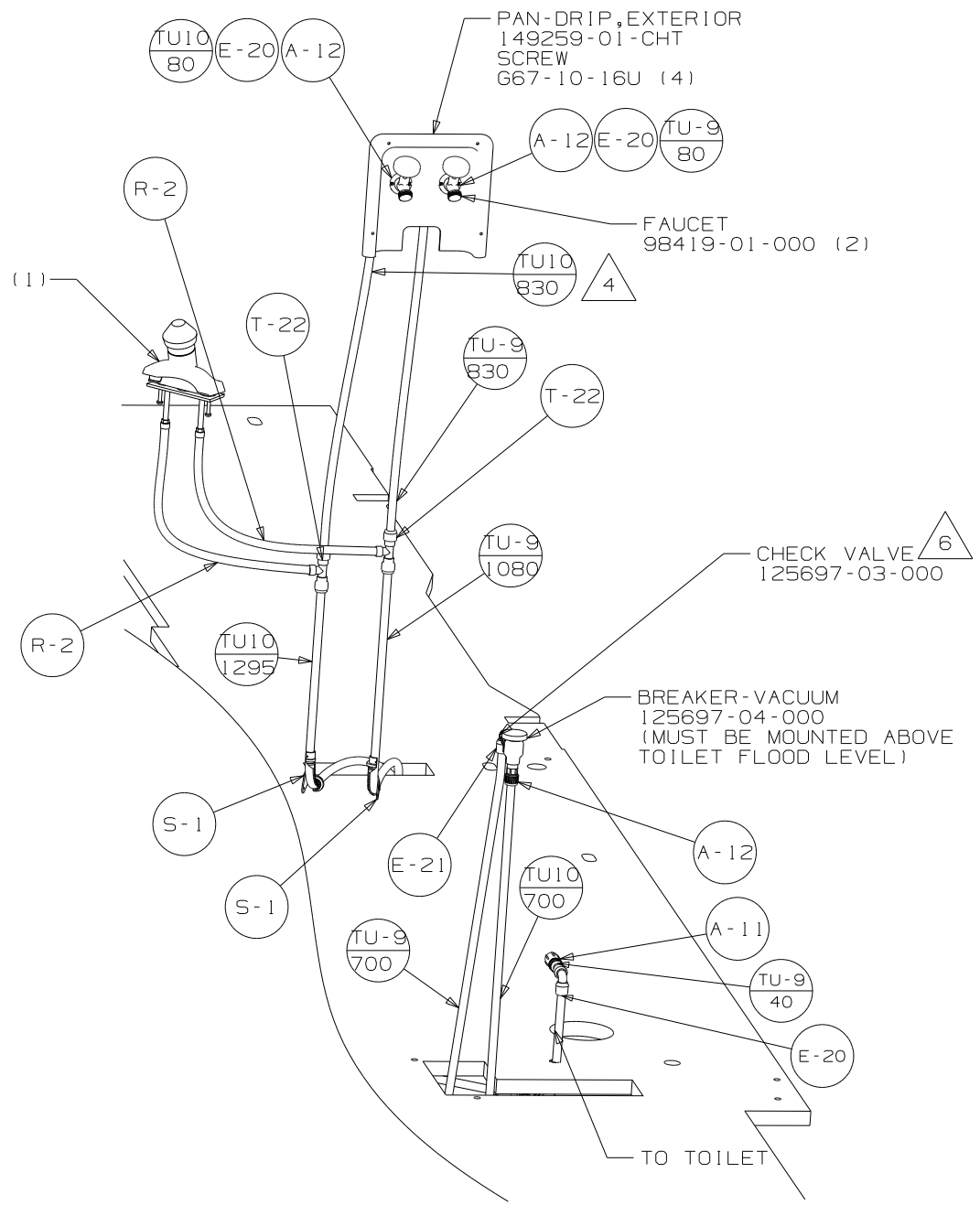
(X-X)
FOR
WATER
CALLOUTS
SEE DWG NO.
116230-01-000

FAUCET - GALLEY
123744-03-CHT
BACKING
137079-02-CHT

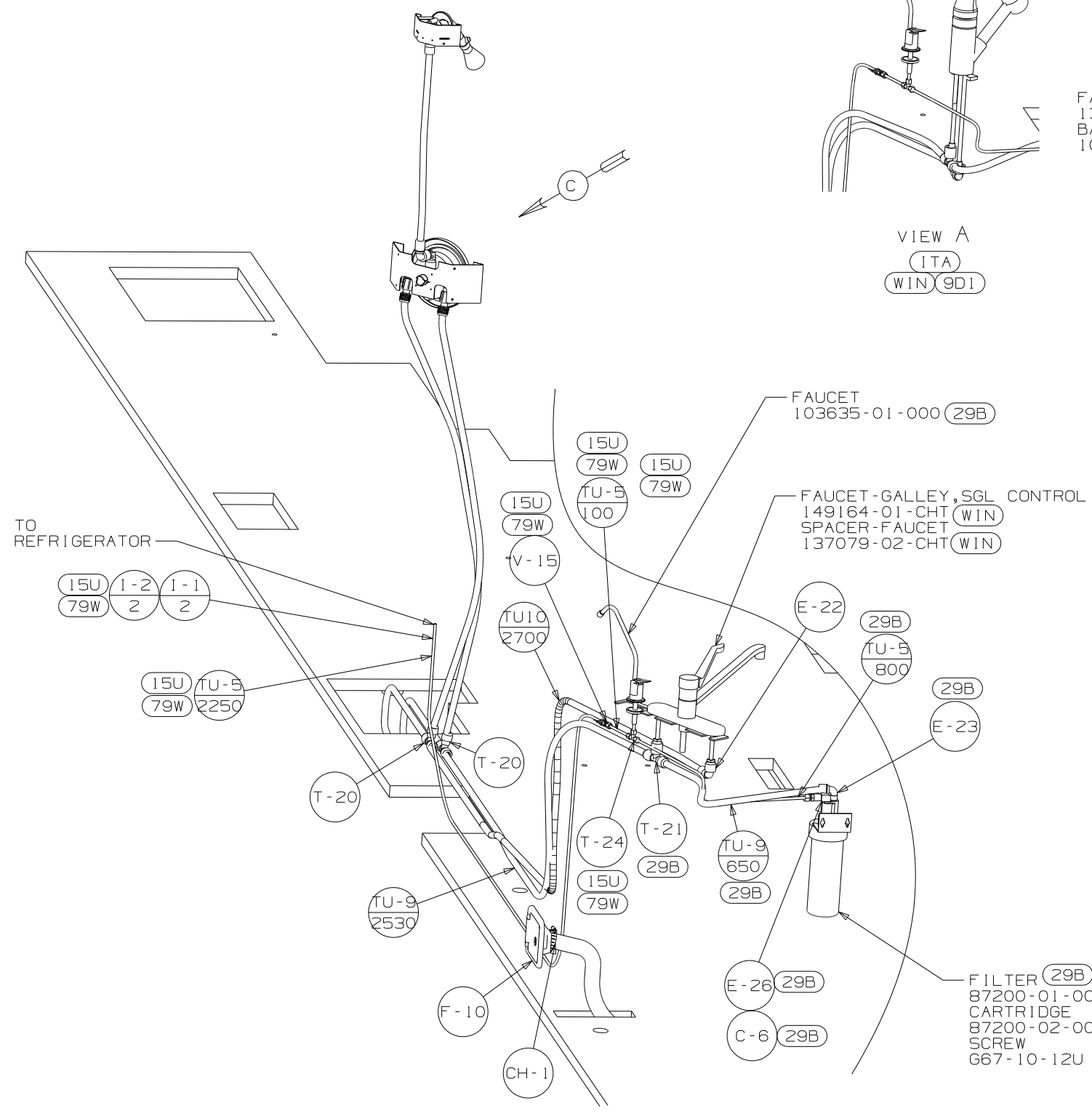
FAUCET - LAV
134735-01-CHT
BACKING
105218-01-CHT (1)



VIEW A
ITA
WIN 9D1

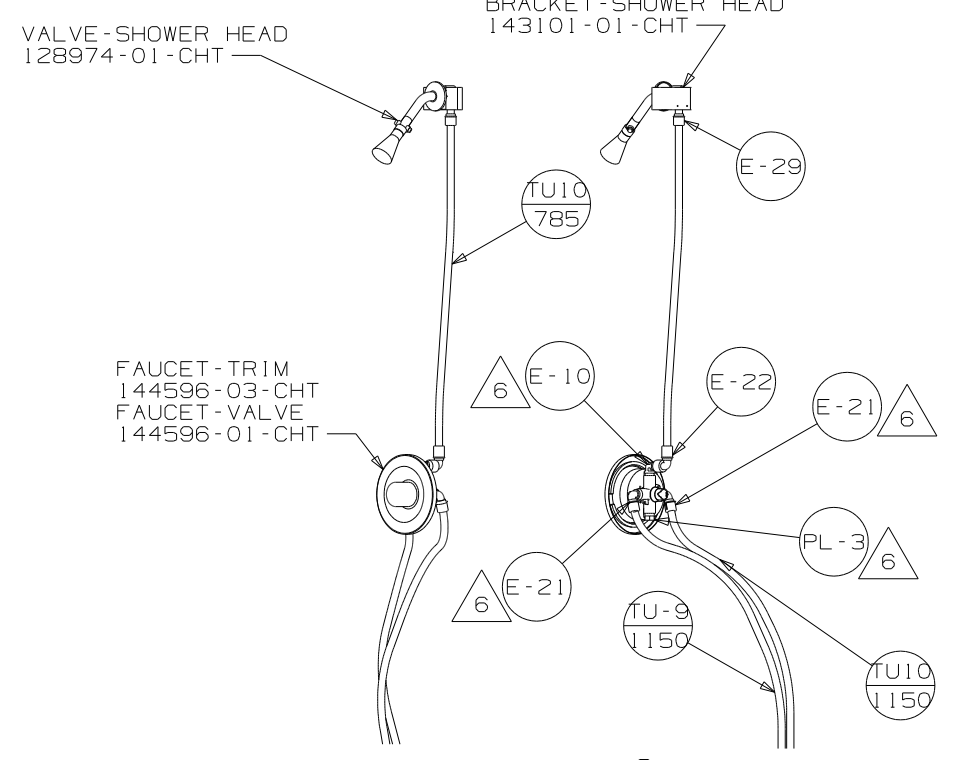
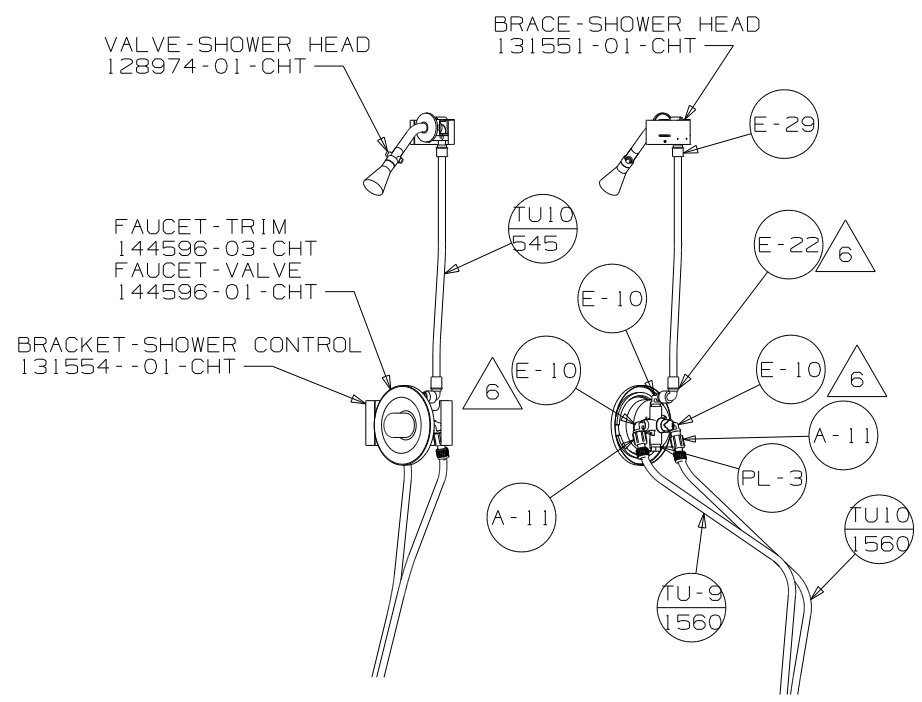


VIEW B



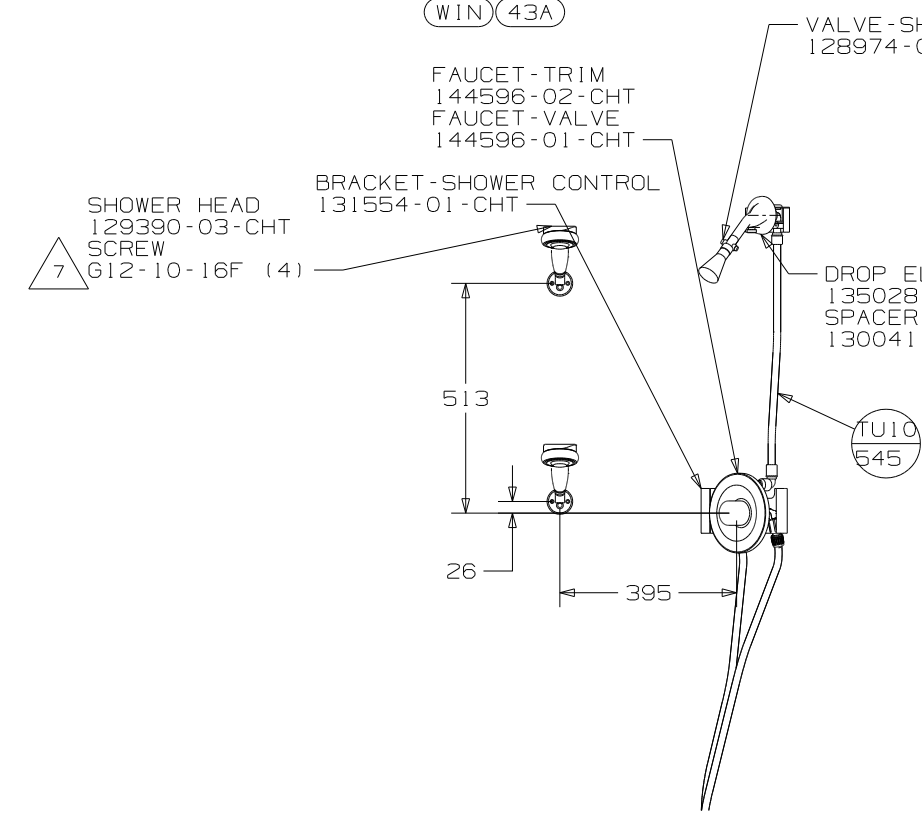
VIEW A

FIRST USED	06 P36G		
TITLE	DO NOT SCALE DRAWING		
TITLE	WATER SYSTEM INSTL		
SHEET 2	PART NO	152499	REV



VIEW C
WIN 43A

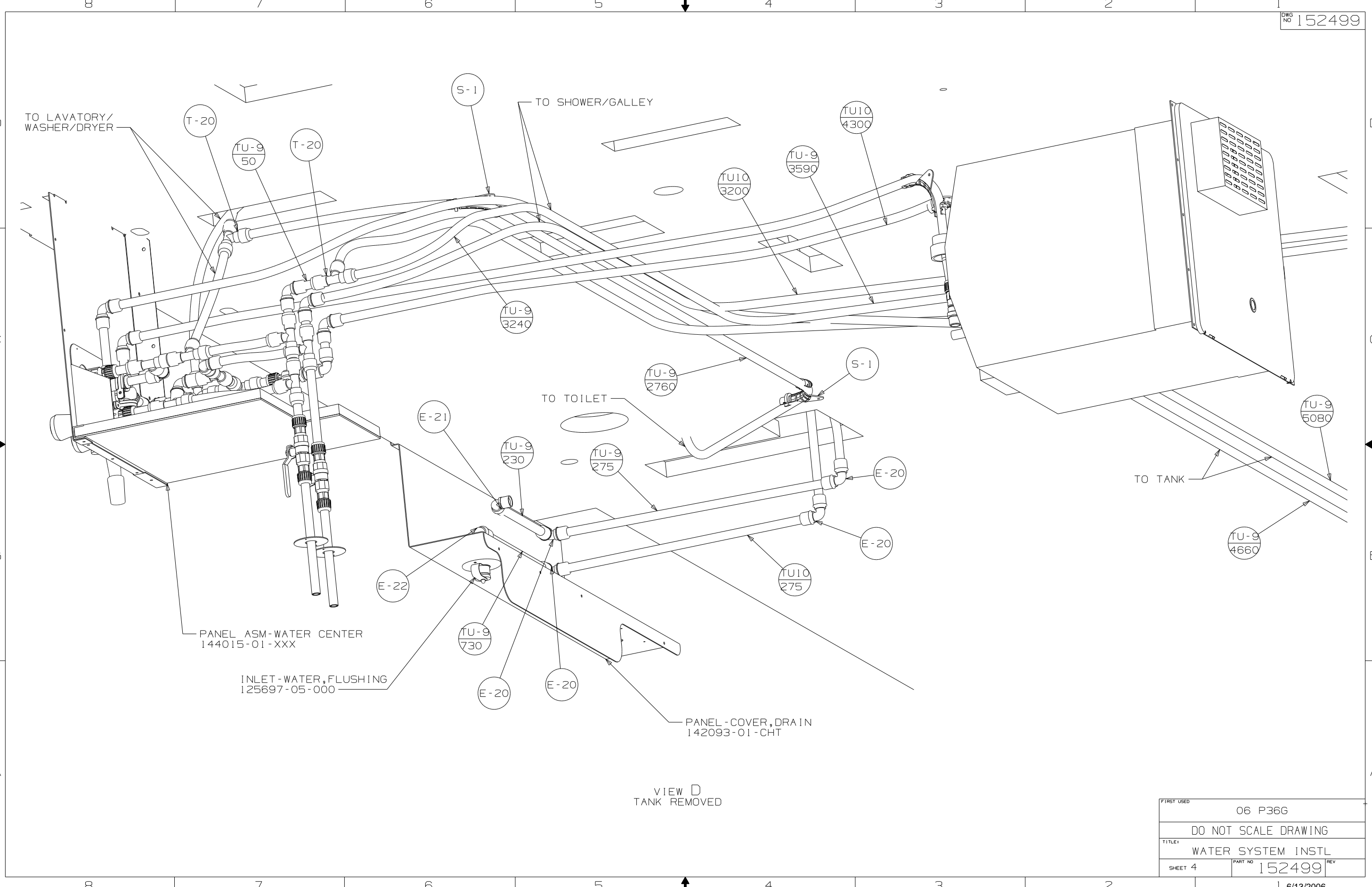
VIEW C
ITA 43A



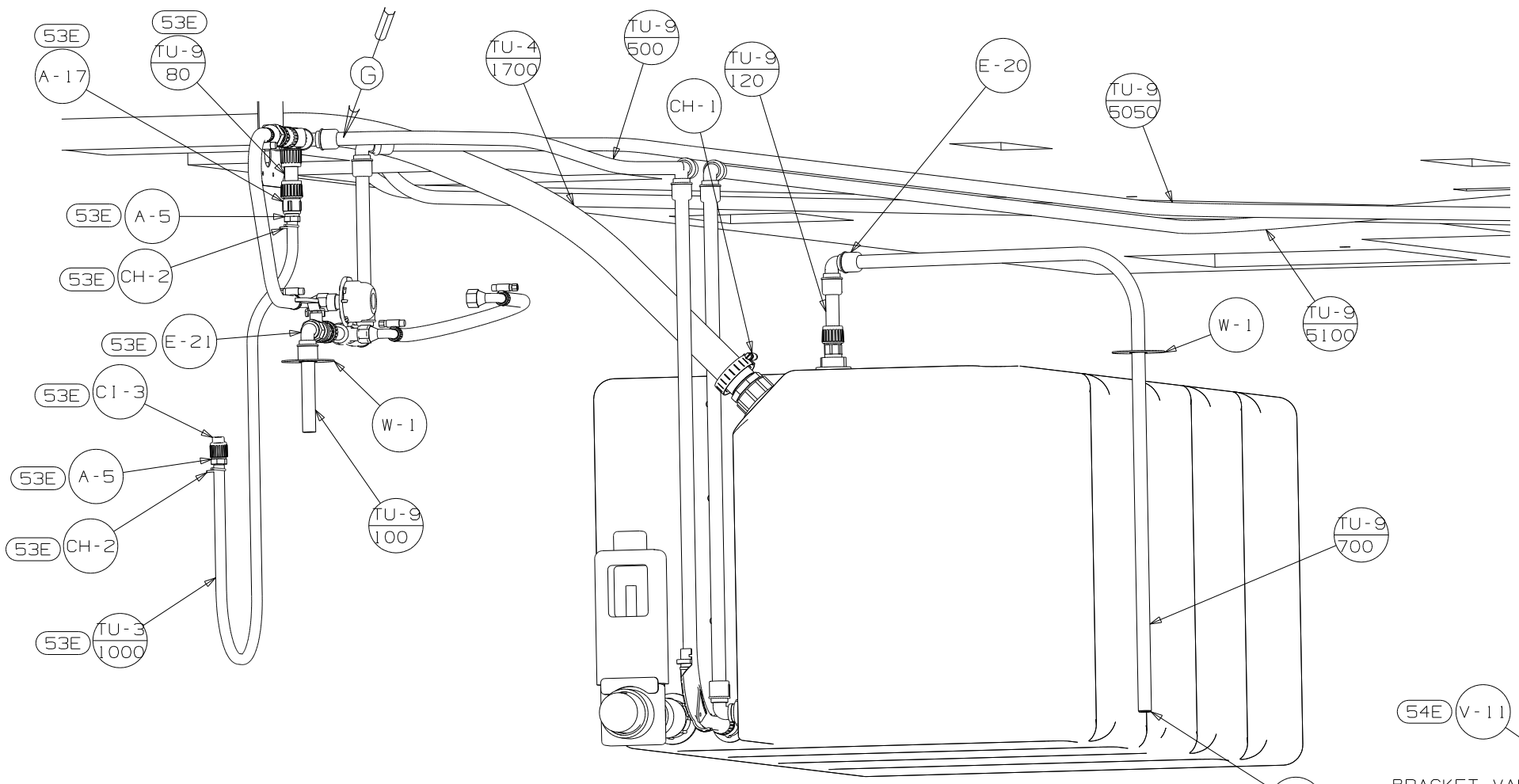
VIEW C
WIN 43H

VIEW C
ITA 43H

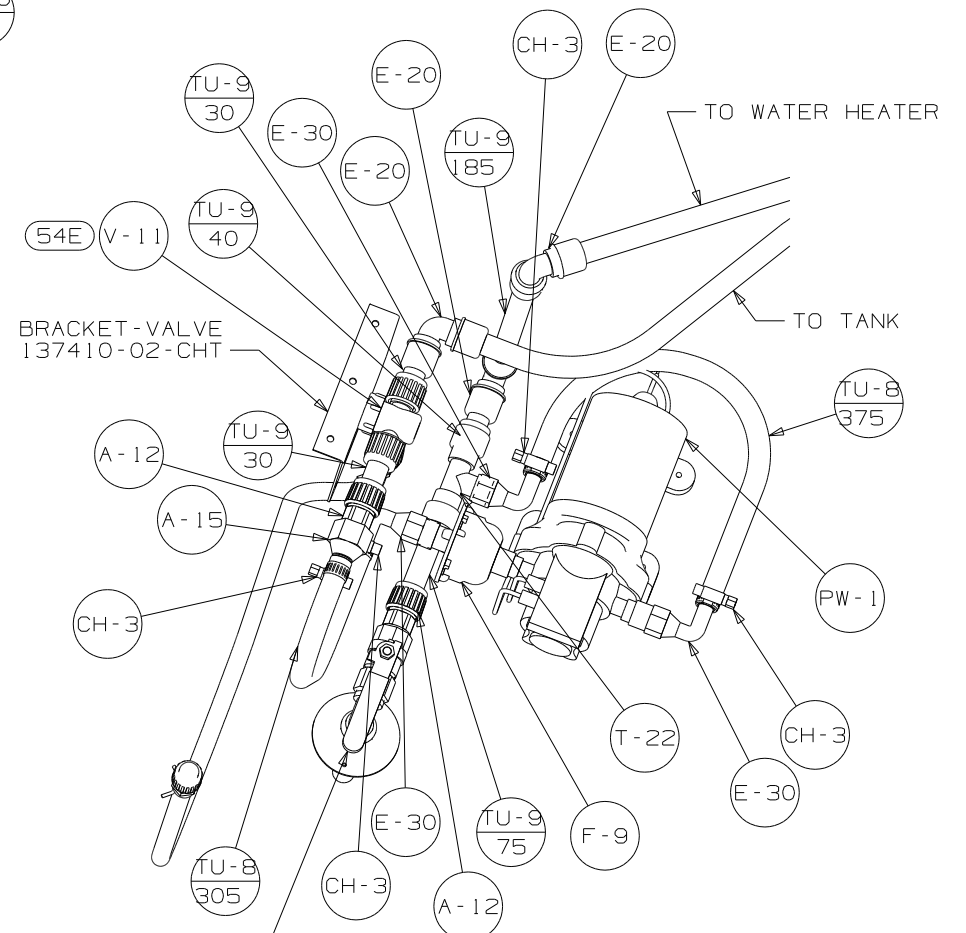
FIRST USED	06 P36G		
TITLE	DO NOT SCALE DRAWING		
TITLE	WATER SYSTEM INSTL		
SHEET 3	PART NO	152499	REV



FIRST USED	06 P36G		
TITLE	DO NOT SCALE DRAWING		
	WATER SYSTEM INSTL		
SHEET 4	PART NO	152499	REV



VIEW F



VIEW G

BRACKET-VALVE
137410-02-CHT

VALVE-BALL
132483-02-000

FIRST USED	06 P36G		
TITLE	DO NOT SCALE DRAWING		
TITLE	WATER SYSTEM INSTL		
SHEET 5	PART NO	152499	REV