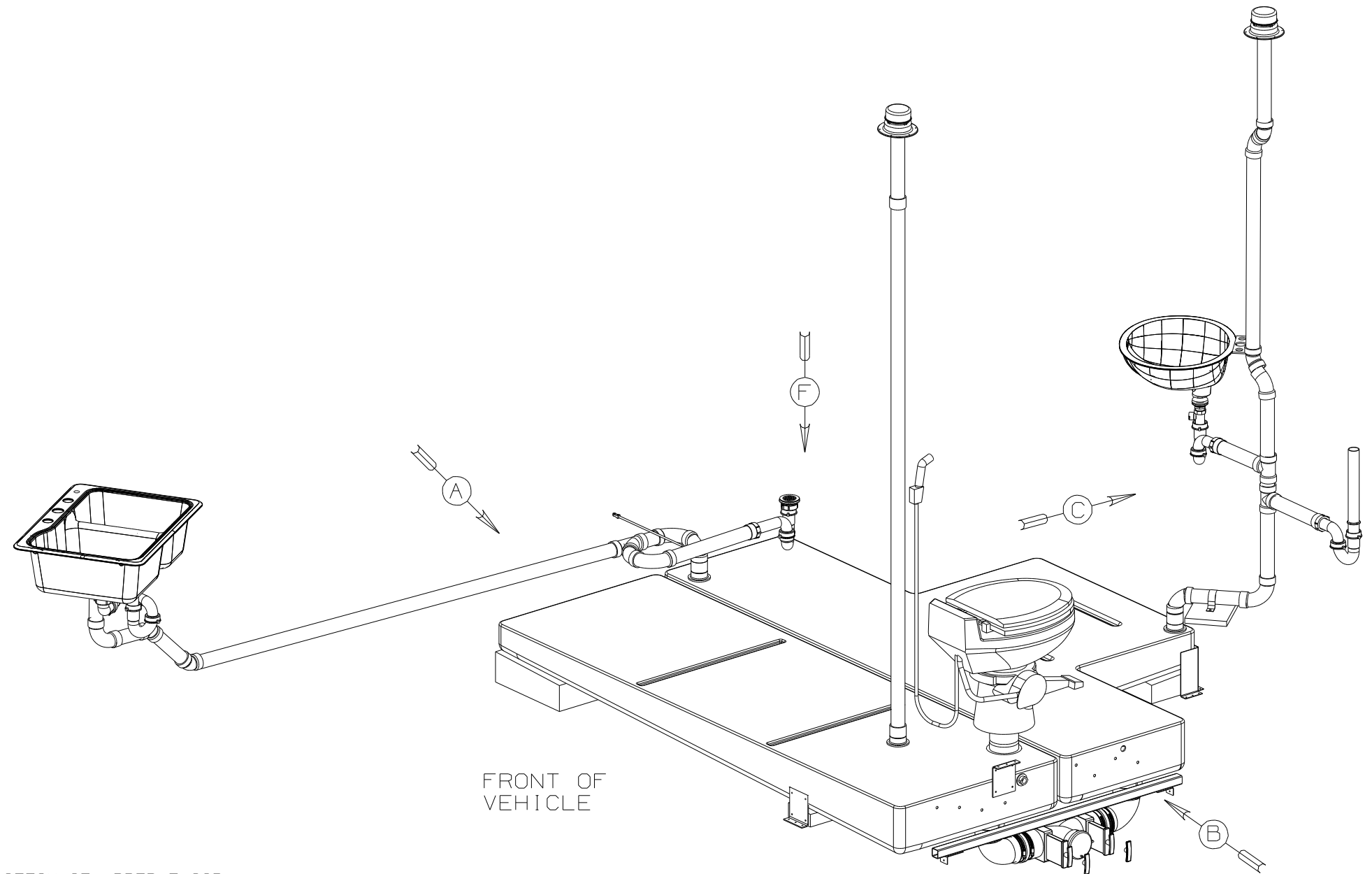


DWG NO	---
152500-01	(WIN)
152500-02	(ITA)

RELEASE	REV DATE	DWG NO
A		152500
REV ZONE	REVISION RECORD	DATE
		DFTR-ORIG



- (WIN) WINNEBAGO ONLY
- (ITA) ITASCA ONLY
- (IB1) CODES/STANDARDS-USA
- (265) CODES/STANDARDS-CSA/CMVSS
- (430) TOILET-PORCELAIN
- (21M) WASHER/DRYER PREP
- (54E) WASHER/DRYER
- (43E) TOILET PORCELAIN, ROUND

- △ (B) FASTEN TO BOTTOM OF UPPER FLOOR.
- △ (7) VENT PIPE MUST PROJECT 51 MIN AND 63.5 MAX ABOVE ROOF FOR PROPER FIT AND FUNCTION.

6. SEE DWG 61607-01-000 FOR INSTL OF GROMMETS
5. SEAL AROUND SHOWER WITH SILICONE.
4. ALL EXTERIOR OPENINGS AROUND PIPE TO BE SEALED WITH 110744-01-000.
3. ALL PIPE AND FITTINGS TO BE ASSEMBLED WITH SOLVENT 4020-01-000.
2. SLOPE OF TRAP ARM MUST BE 6 PER 305 MM.
1. SLOPE OF HORIZONTAL PIPING TO BE 6 PER 305 MM.

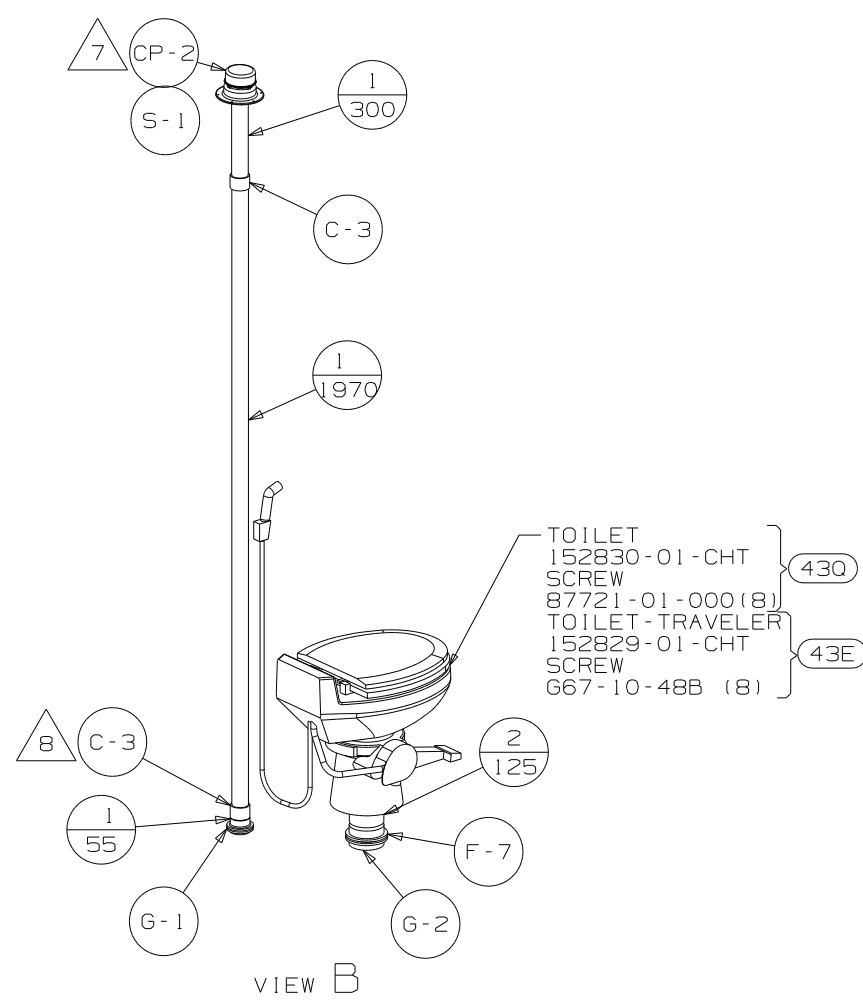
NOTES:

(X-X)
FOR DRAINAGE CALLOUTS SEE DWG NO 116229-01-000

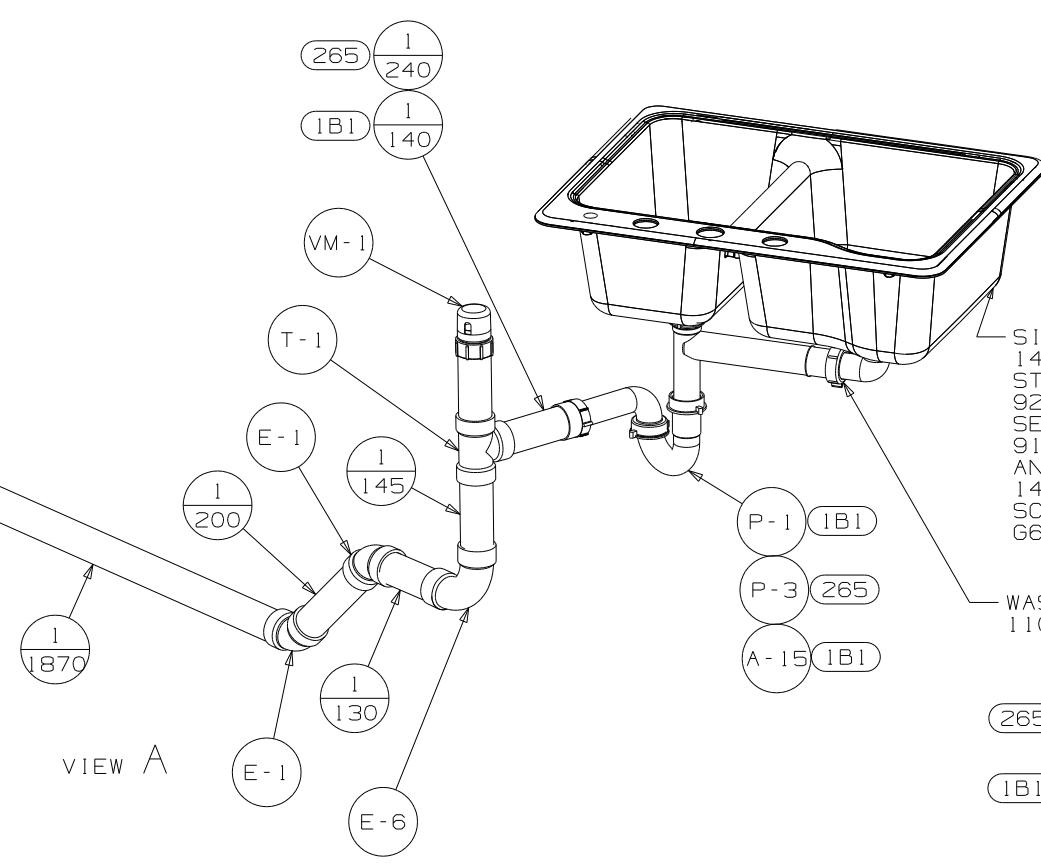
WINNEBAGO		COPYRIGHT 2005 WINNEBAGO INDUSTRIES, INC.	
DFTR	ORIG. DATE	ALL DIMENSIONS ARE IN MILLIMETERS	
CHKR		FIRST USED	
P.E.		06 P36G	
M.E.		UNSPECIFIED TOLERANCES ARE:	
DSNR		MATERIAL:	
		WHOLE DIM (X)	: 7
		ONE-PLACE (X.X)	:
		TWO-PLACE (X.XX)	:
		ANGLE	:
THIRD ANGLE PROJECTION		DO NOT SCALE DRAWING	
		TITLE: DRAINAGE SYSTEM INSTL	
SHEET 1 OF 3		PART NO 152500	
REF:		1 9/7/2005	

- WIN WIN WIN
- IB1 265 IB1
- A-15 P-3 P-1
- 1/375
- E-2
- SHOWER INSTL 147869-02-000 (WIN)
- STRAINER 66440-01-000
- SEALER 69640-01-000
- NUT 130403-01-000
- TAILPIECE 11069-06-000
- WASHER 127440-02-CHT

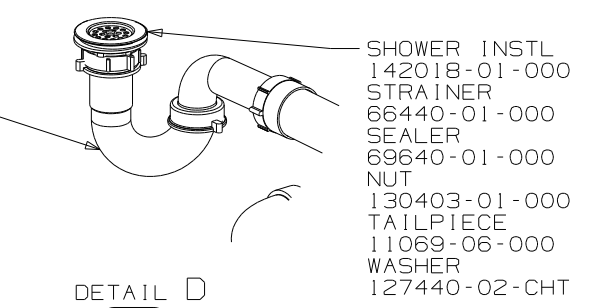
15" WIRE TIE W/HOLE 108046-02-000



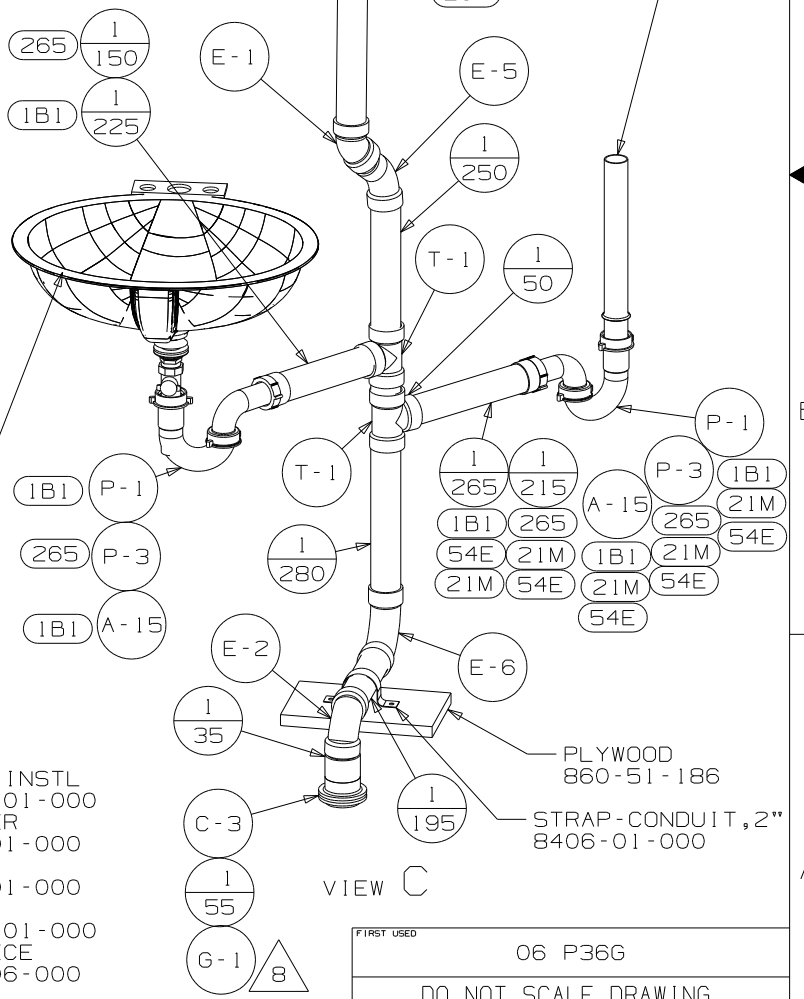
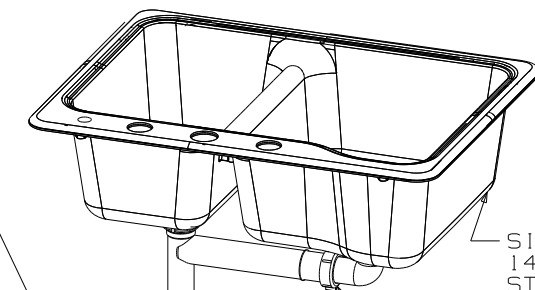
VIEW B



VIEW A



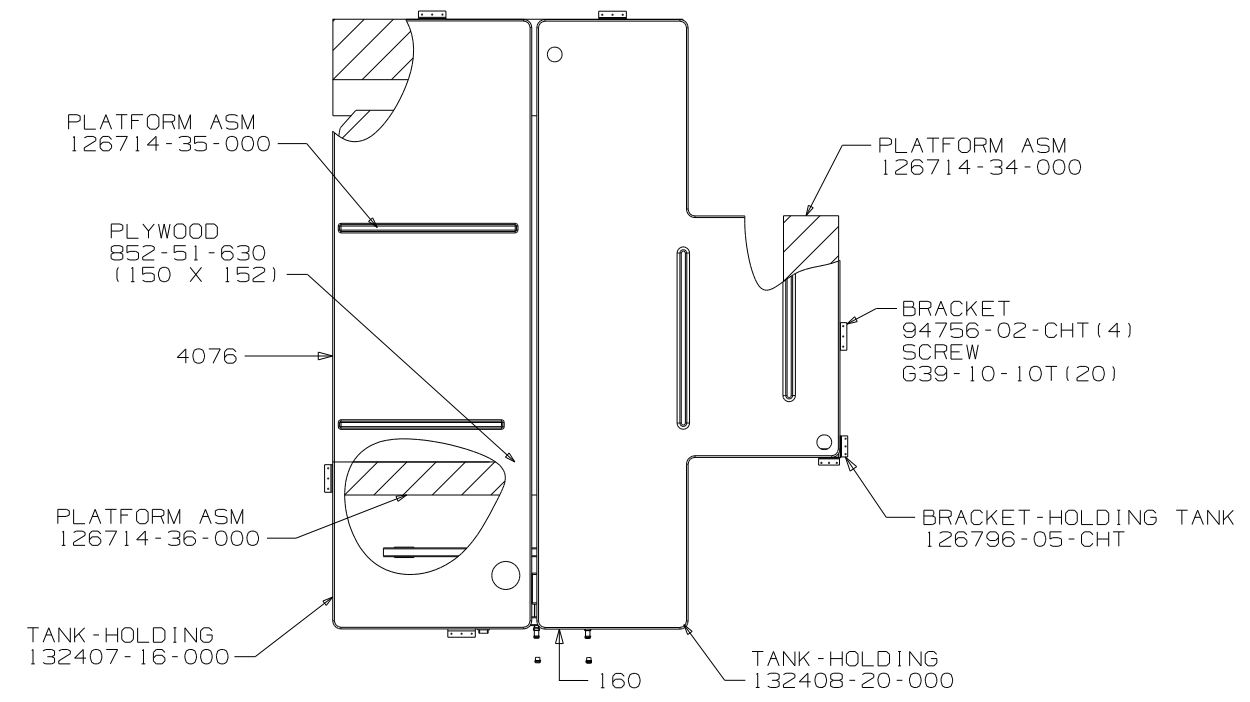
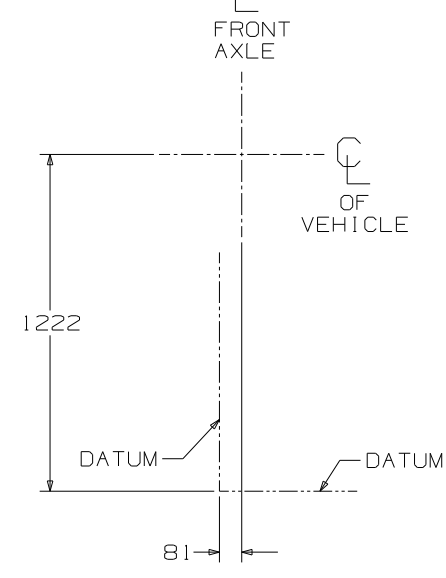
DETAIL D (ITA)



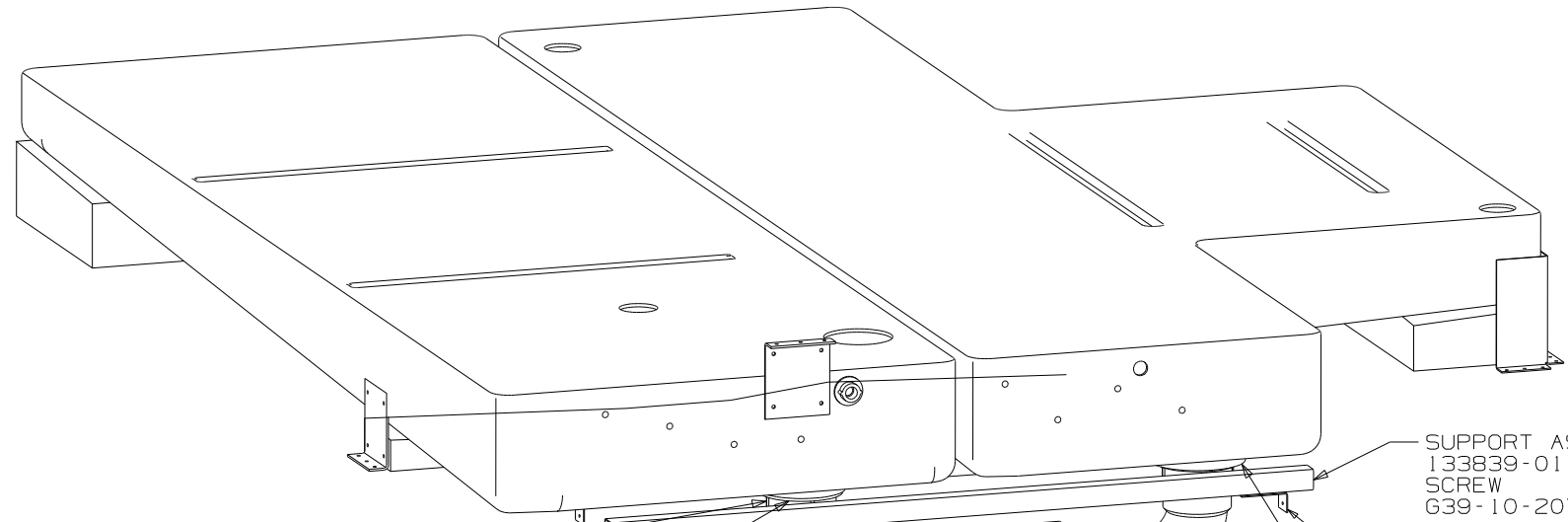
VIEW C

FIRST USED	06 P36G
DO NOT SCALE DRAWING	
TITLE: DRAINAGE SYSTEM INSTL	
SHEET 2	PART NO 152500

8 7 6 5 4 3 2 1



VIEW F



VIEW E

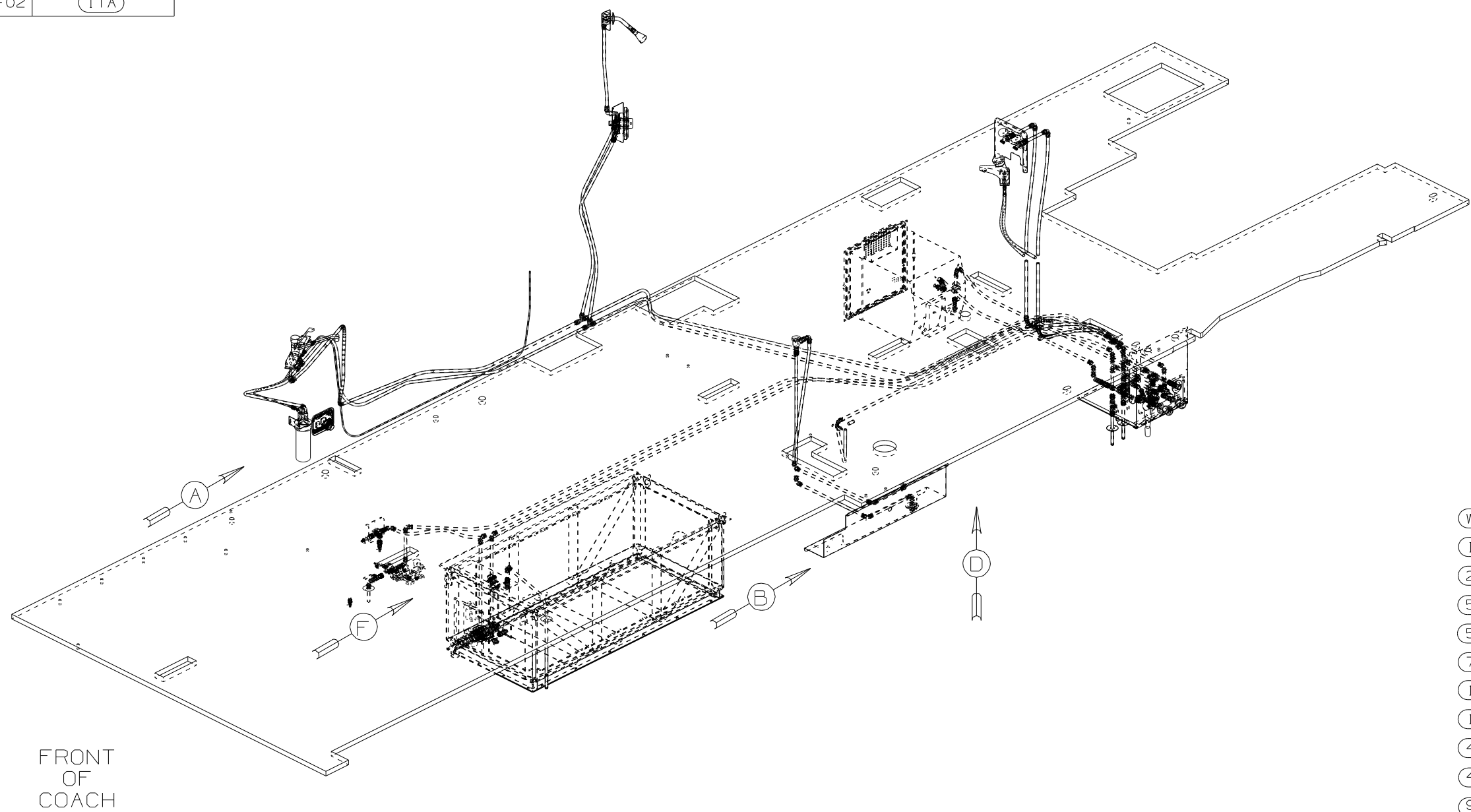
FIRST USED	06 P36G
DO NOT SCALE DRAWING	
TITLE	DRAINAGE SYSTEM INSTL
SHEET 3	PART NO 152500

8 7 6 5 4 3 2 1

A B C D

DWG NO	---
152499-01	(WIN)
152499-02	(ITA)

RELEASE	REV DATE	DWG NO
A		152499
REV ZONE	REVISION RECORD	DATE DFR-ORIG



- (WIN) WINNEBAGO ONLY
- (ITA) ITASCA ONLY
- (21M) WASHER/DRYER
- (54E) WASHER/DRYER PREP
- (53E) WATER SYS WINTERIZATION PKG
- (79W) REFRIGERATOR-4 DOOR
- (15U) REFRIGERATOR/FRZR W/ICEMAKER
- (144) REFRIGERATOR-DOUBLE DOOR
- (43A) SHOWER HEAD FIXED
- (43H) SHOWER HEAD-HAND HELD
- (9B1) SHOWER PACKAGE
- (29B) WATER PURIFIER

- 7 USE IN PLACE OF SUPPLIED SCREWS TO ATTACH BRACKET TO WALL.
 - 6 ADD TEFLON TAPE 10405-03-000 TO FITTING.
 - 5 ADD TEFLON TAPE 10405-02-000 TO FITTING.
 - 4 ADD TEFLON TAPE 10405-01-000 TO FITTING.
3. ALL TUBING TO BE SECURED AT 1200 INTERVALS MAXIMUM WITH CLAMP 10495-01-000 AND SCREW G67-10-12B, OR EQUIVALENT.
2. TUBING TO BE INSTALLED WITH SUFFICIENT SLOPE TO PROVIDE DRAINAGE TO NEAREST VALVE.
1. PLASTIC FITTINGS TO BE SEALED WITH SEALANT 84456-01-000.

NOTES:

WINNEBAGO		COPYRIGHT 2006 WINNEBAGO INDUSTRIES, INC.	
DFTR	ORIG. DATE	ALL DIMENSIONS ARE IN MILLIMETERS	
CHKR		FIRST USED	
P.E.		06 P36G	
M.E.		UNSPECIFIED TOLERANCES ARE:	
DSNR		MATERIAL:	
		WHOLE DIM (X)	: 7
		ONE-PLACE (X.X)	:
		TWO-PLACE (X.XX)	:
		ANGLE	:
THIRD ANGLE PROJECTION		DO NOT SCALE DRAWING	
TITLE: WATER SYSTEM INSTL			
SHEET 1 OF 5		PART NO	152499
REF:		1 6/13/2006	

(X-X)
FOR
WATER
CALLOUTS
SEE DWG NO.
116230-01-000

FAUCET - GALLEY
123744-03-CHT
BACKING
137079-02-CHT

FAUCET - LAV
134735-01-CHT
BACKING
105218-01-CHT (1)

VIEW A
ITA
WIN 9D1

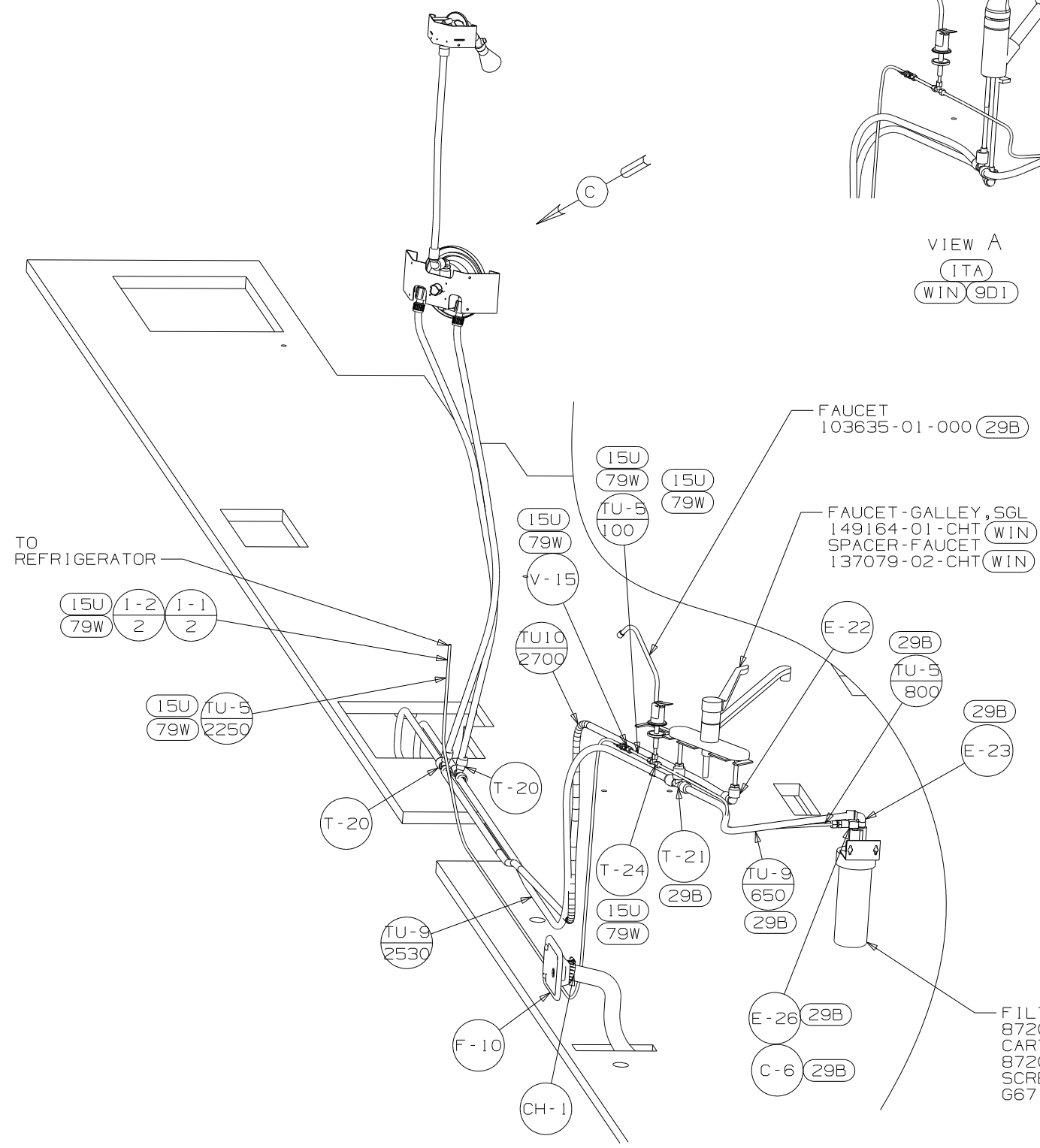
PAN-DRIP, EXTERIOR
149259-01-CHT
SCREW
G67-10-16U (4)

FAUCET
98419-01-000 (2)

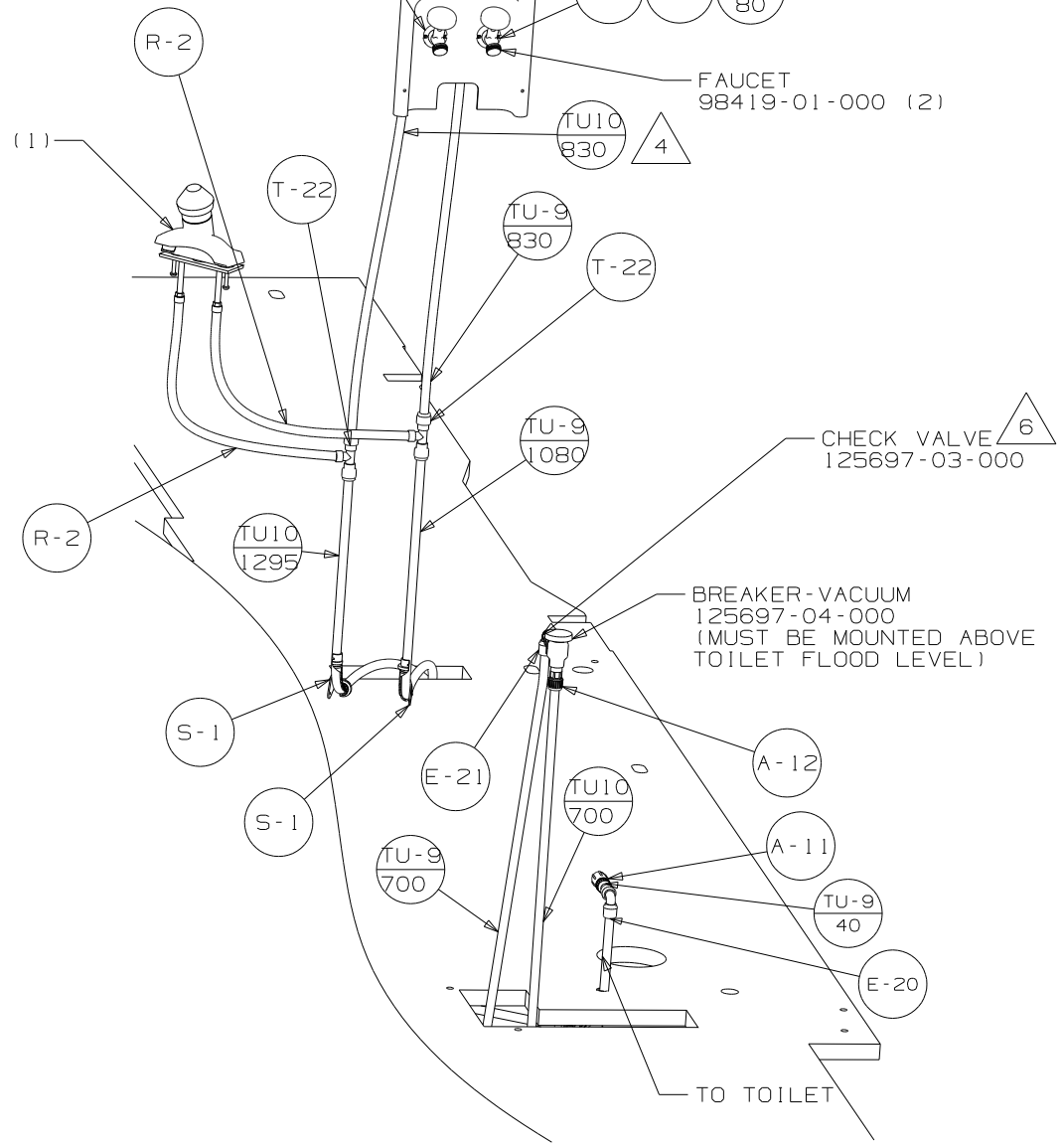
CHECK VALVE
125697-03-000

BREAKER-VACUUM
125697-04-000
(MUST BE MOUNTED ABOVE
TOILET FLOOD LEVEL)

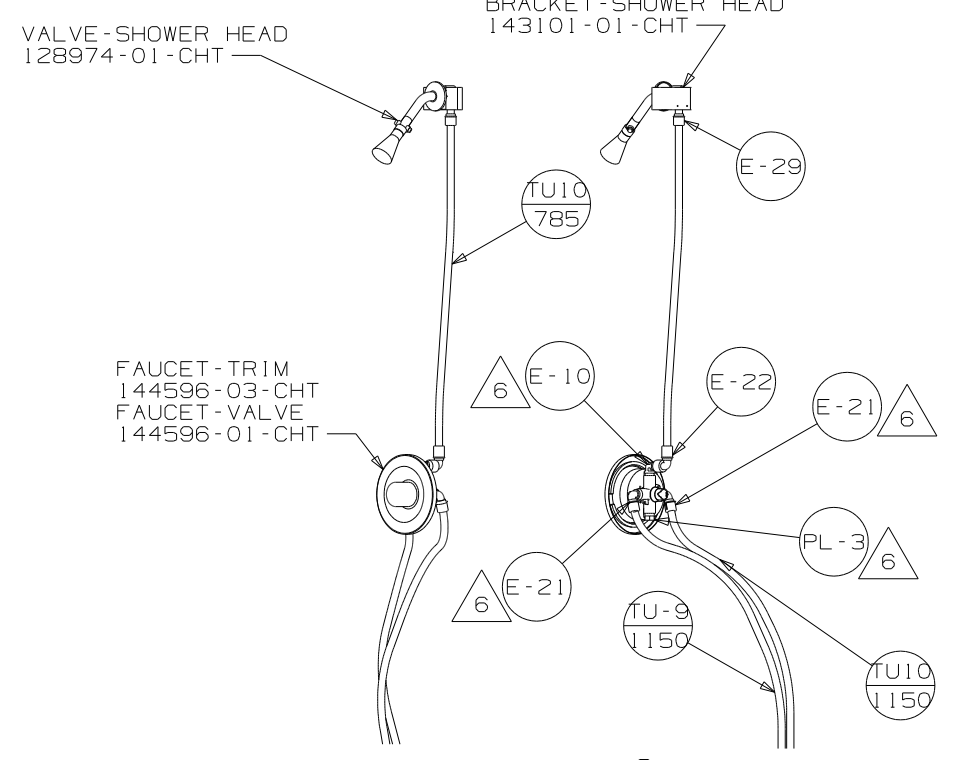
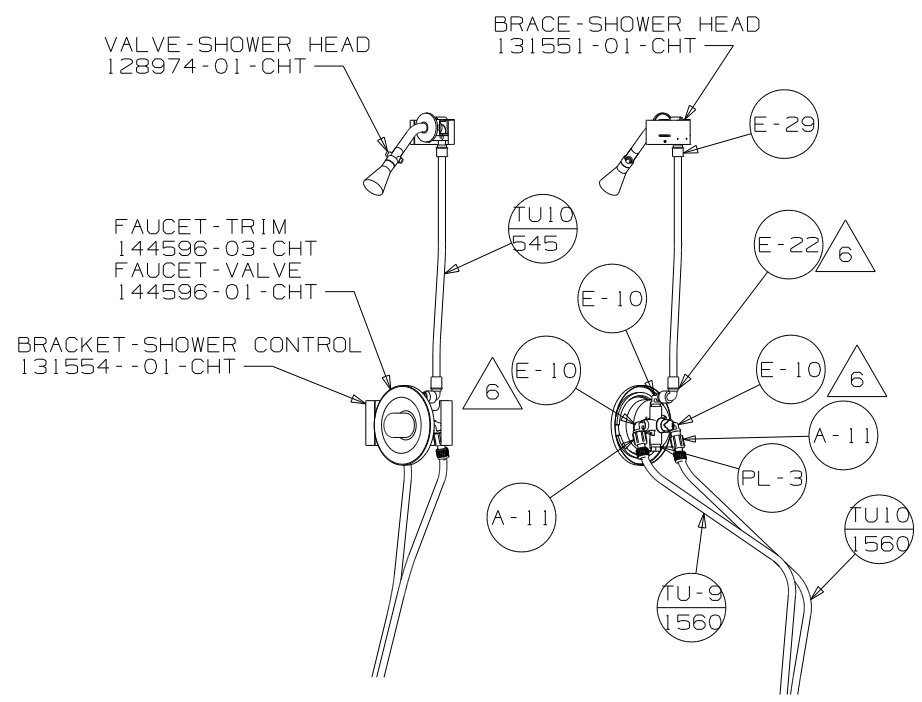
VIEW B



VIEW A

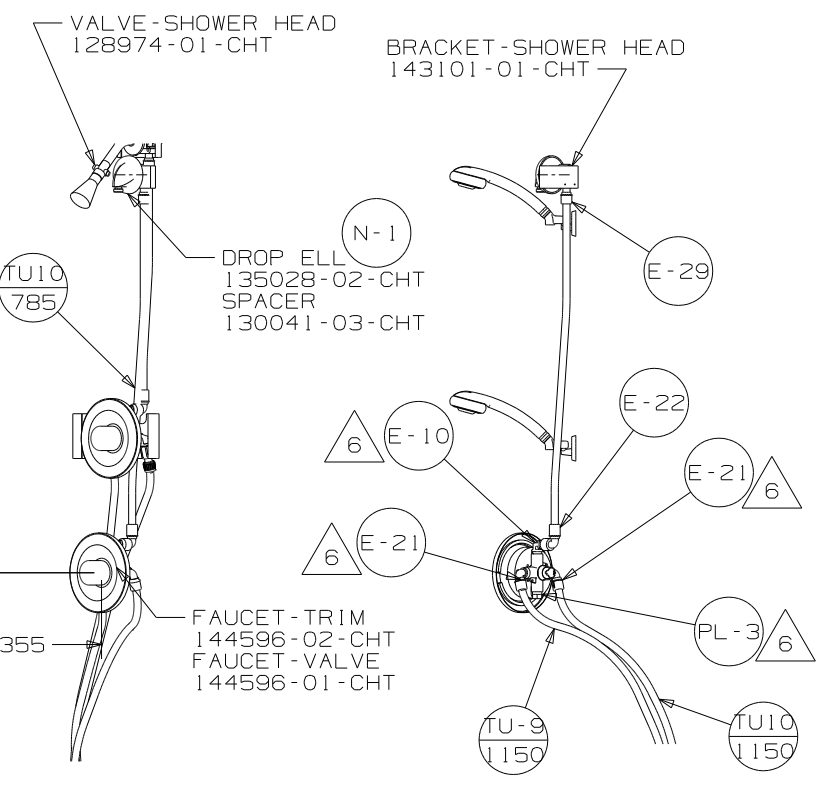
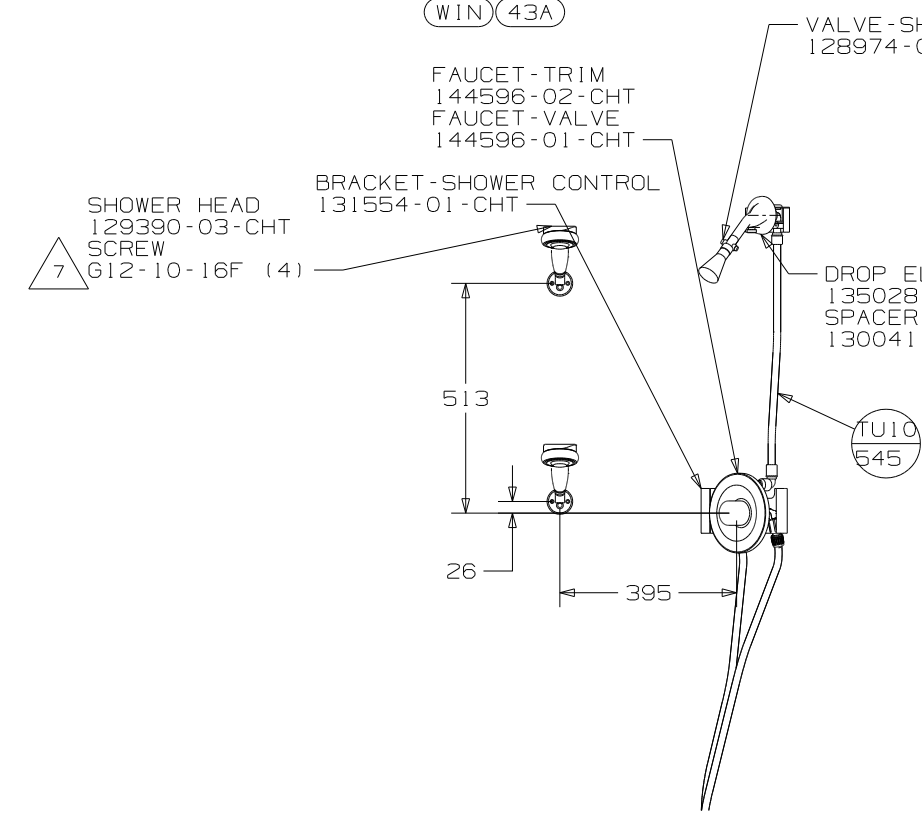


FIRST USED	06 P36G
DO NOT SCALE DRAWING	
TITLE:	WATER SYSTEM INSTL
SHEET 2	PART NO 152499 REV



VIEW C
WIN 43A

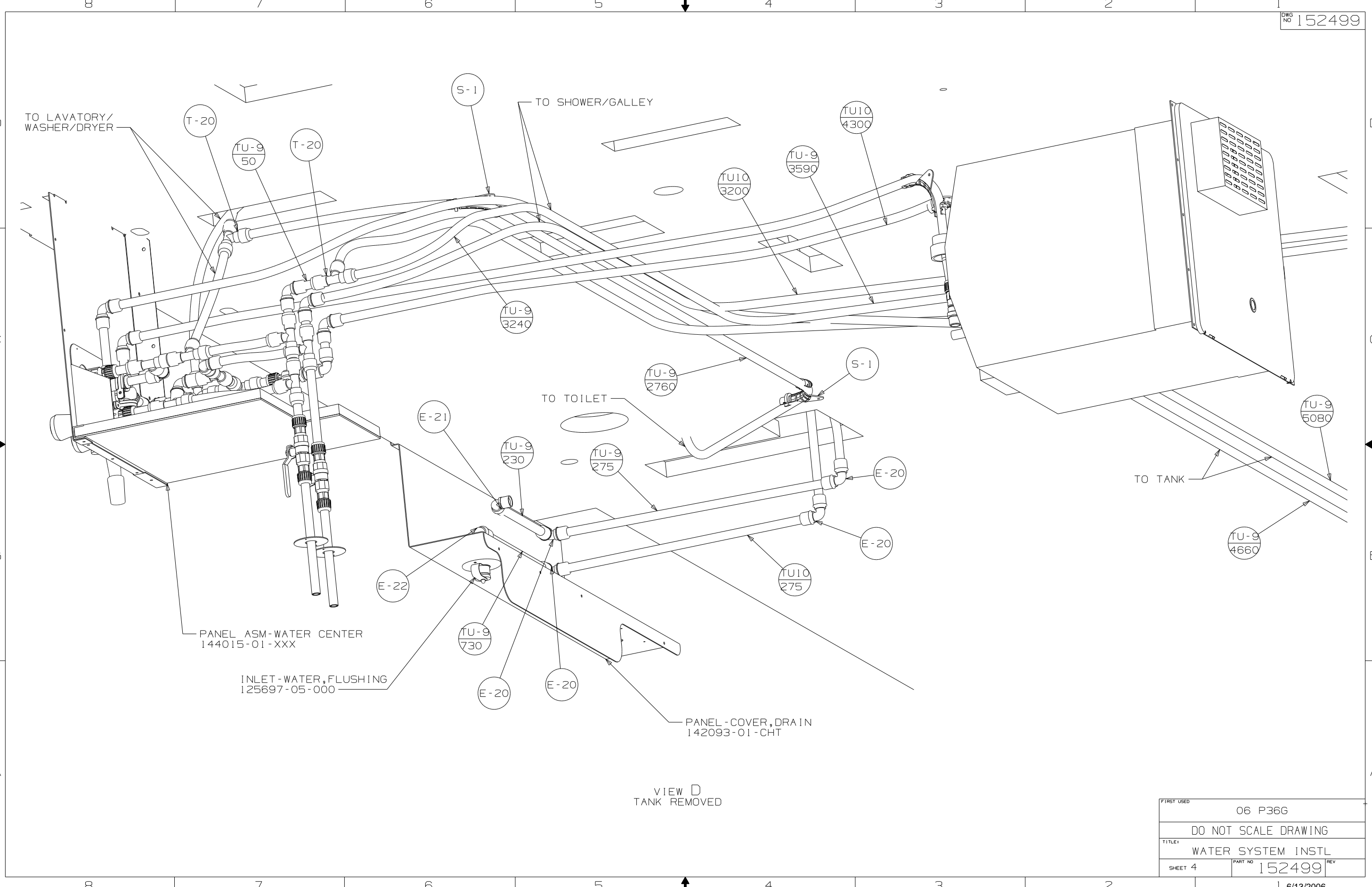
VIEW C
ITA 43A



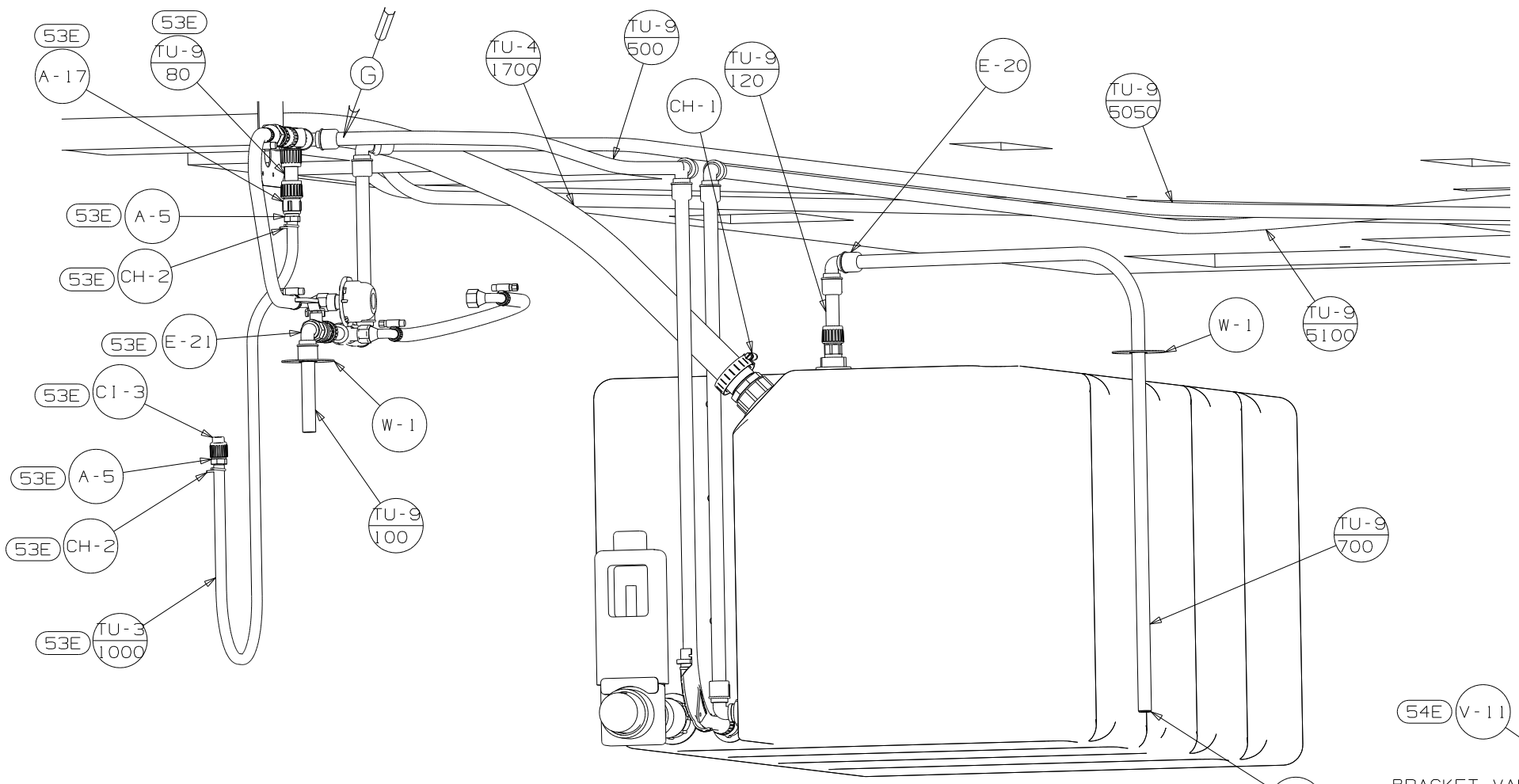
VIEW C
WIN 43H

VIEW C
ITA 43H

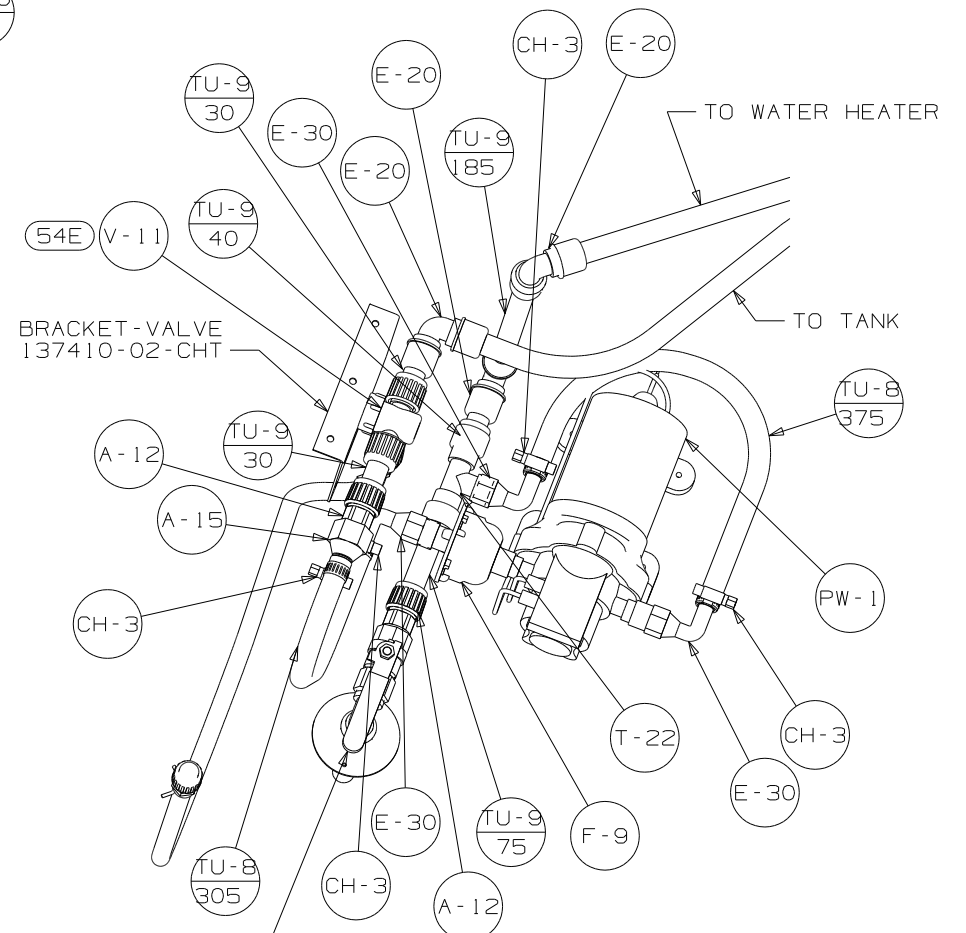
FIRST USED	06 P36G		
TITLE	DO NOT SCALE DRAWING		
TITLE	WATER SYSTEM INSTL		
SHEET 3	PART NO	152499	REV



FIRST USED	06 P36G		
TITLE	DO NOT SCALE DRAWING		
	WATER SYSTEM INSTL		
SHEET 4	PART NO	152499	REV



VIEW F



VIEW G

BRACKET-VALVE
137410-02-CHT

VALVE-BALL
132483-02-000

FIRST USED	06 P36G		
TITLE	DO NOT SCALE DRAWING		
TITLE	WATER SYSTEM INSTL		
SHEET 5	PART NO	152499	REV