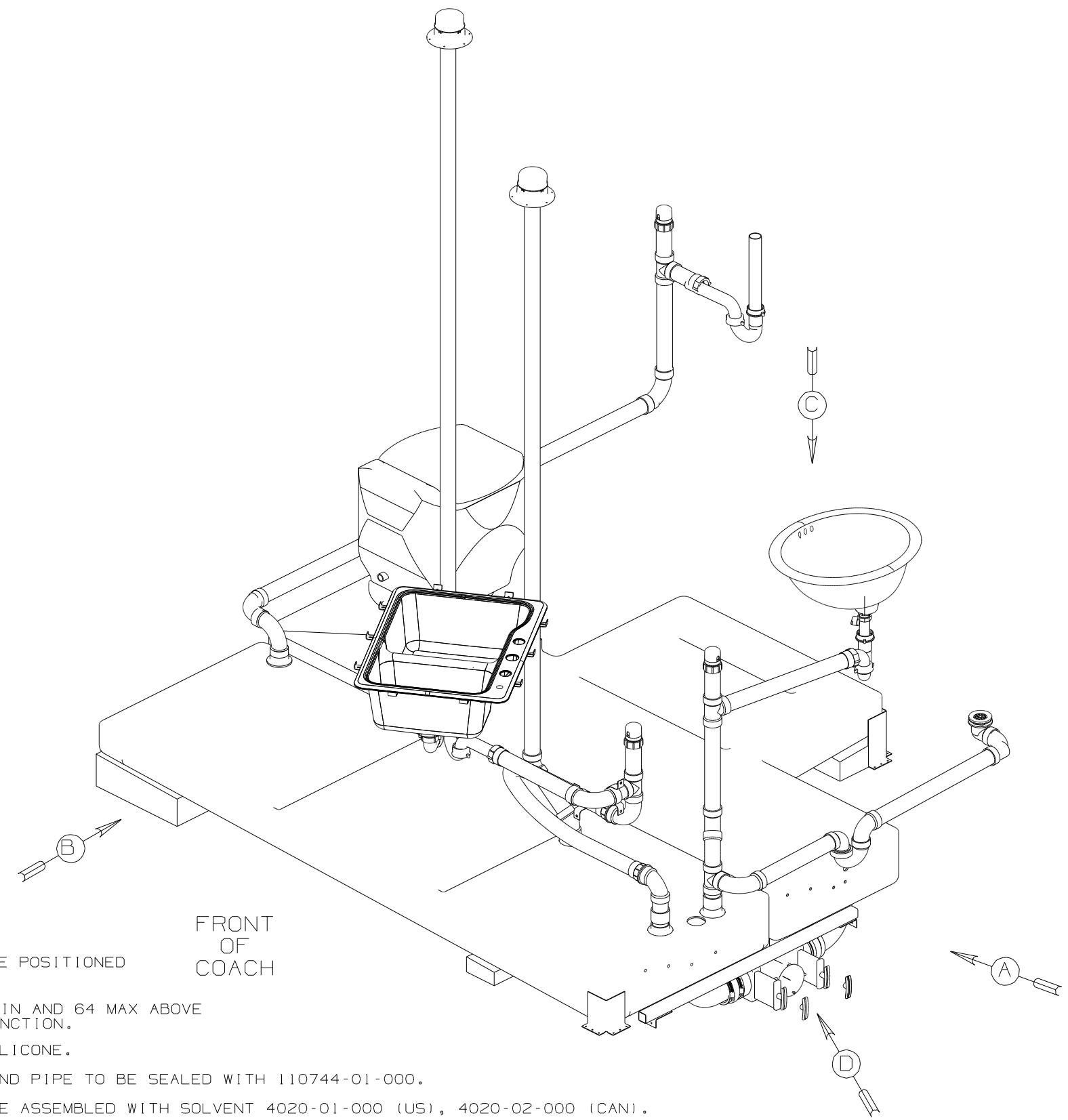


DWG NO	----
154638-01	(WIN)
154638-02	(ITA)

RELEASE	REV DATE	DWG NO
A		154638
REV ZONE	REVISION RECORD	DATE



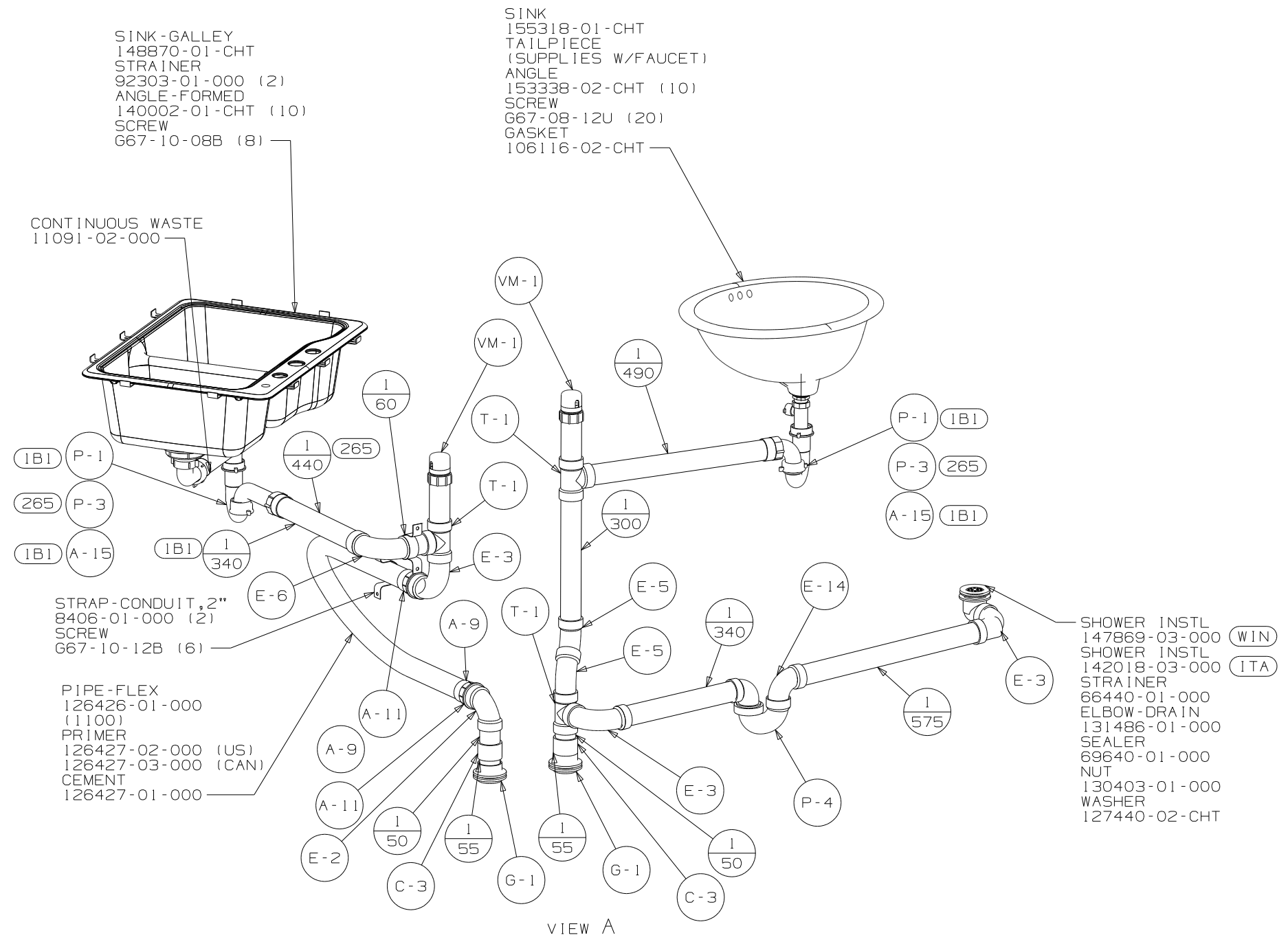
FRONT  
OF  
COACH

- (WIN) WINNEBAGO ONLY
- (ITA) ITASCA ONLY
- (IB1) CODES/STANDARDS USA
- (265) CODES/STANDARDS-CSA/CMVSS
- (54E) WASHER/DRYER
- (21M) WASHER/DRYER PREP
- (430) TOILET-PORCLAIN

- NOTES:
7. VALVE TERMINATION TEE TO BE POSITIONED AT 10° DOWN AND OUTBOARD.
  6. VENT PIPE MUST PROECT 51 MIN AND 64 MAX ABOVE ROOF FOR PROPER FIT AND FUNCTION.
  5. SEAL AROUND SHOWER WITH SILICONE.
  4. ALL EXTERIOR OPENINGS AROUND PIPE TO BE SEALED WITH 110744-01-000.
  3. ALL PIPE AND FITTINGS TO BE ASSEMBLED WITH SOLVENT 4020-01-000 (US), 4020-02-000 (CAN).
  2. SLOPE OF TRAP ARM MUST BE 6 PER 305 mm.
  1. SLOPE OF HORIZONTAL PIPING TO BE 6 PER 305 mm.

<b>WINNEBAGO</b>		COPYRIGHT 2005 WINNEBAGO INDUSTRIES, INC.	
DFT	ORIG. DATE	ALL DIMENSIONS ARE IN MILLIMETERS	
CHKR		FIRST USED	
P.E.		06 P34H	
M.E.		UNSPECIFIED TOLERANCES ARE:	
DSNR		MATERIAL:	
		WHOLE DIM (X)	: 7
		ONE-PLACE (X.X)	:
		TWO-PLACE (X.XX)	:
		ANGLE	:
		THIRD ANGLE PROJECTION	
DO NOT SCALE DRAWING			
TITLE: DRAINAGE SYSTEM INSTL			
SHEET 1 OF 4		PART NO 154638	
REF:		1 6/22/2005	

(X-X)  
FOR  
DRAINAGE  
CALLOUTS  
SEE DWG NO  
116229-01-000



SINK-GALLEY  
 148870-01-CHT  
 STRAINER  
 92303-01-000 (2)  
 ANGLE-FORMED  
 140002-01-CHT (10)  
 SCREW  
 667-10-08B (8)

SINK  
 155318-01-CHT  
 TAILPIECE  
 (SUPPLIES W/FAUCET)  
 ANGLE  
 153338-02-CHT (10)  
 SCREW  
 667-08-12U (20)  
 GASKET  
 106116-02-CHT

CONTINUOUS WASTE  
 11091-02-000

STRAP-CONDUIT, 2"  
 8406-01-000 (2)  
 SCREW  
 667-10-12B (6)

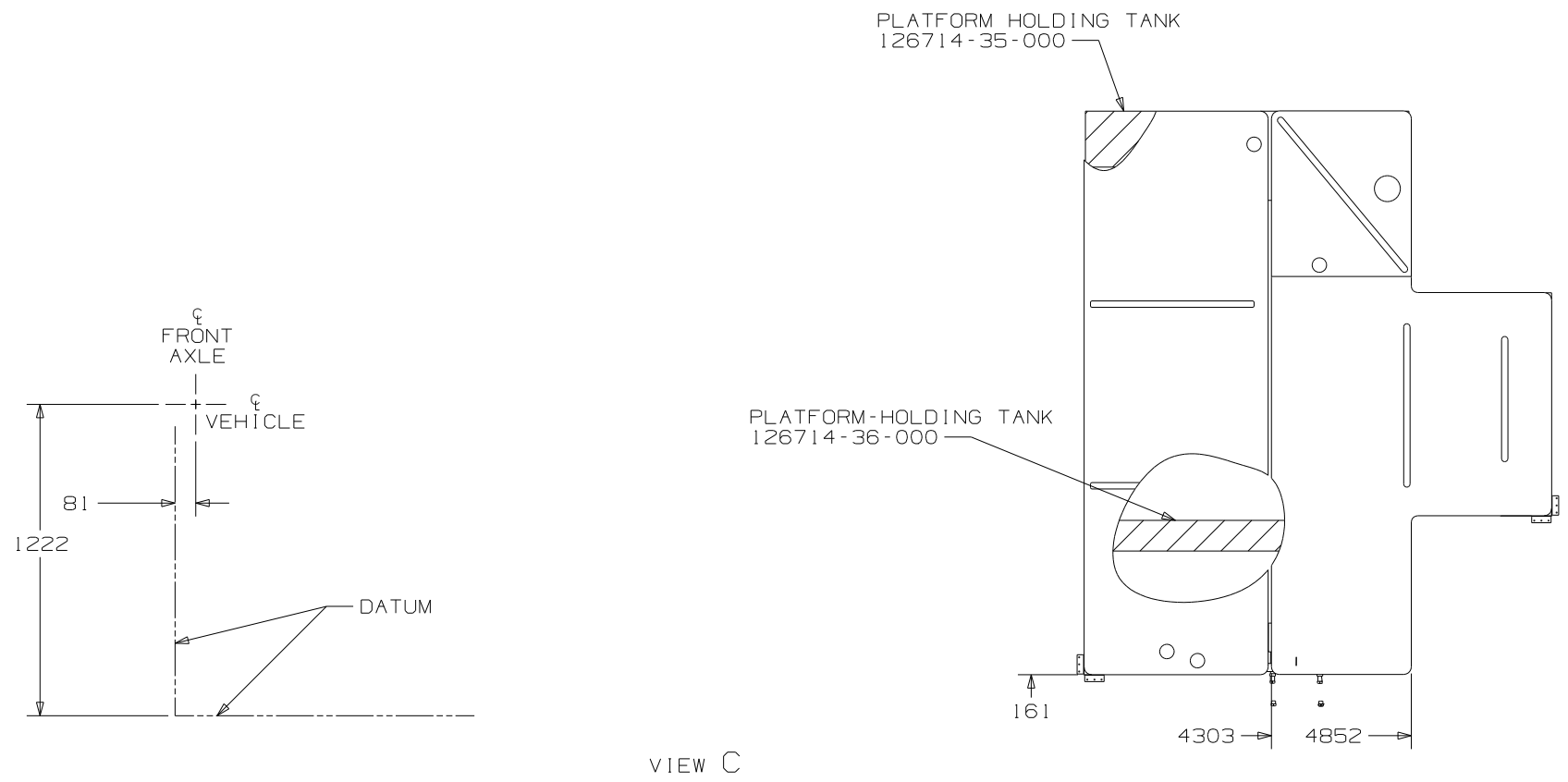
PIPE-FLEX  
 126426-01-000  
 (1100)  
 PRIMER  
 126427-02-000 (US)  
 126427-03-000 (CAN)  
 CEMENT  
 126427-01-000

SHOWER INSTL  
 147869-03-000 (WIN)  
 SHOWER INSTL  
 142018-03-000 (ITA)  
 STRAINER  
 66440-01-000  
 ELBOW-DRAIN  
 131486-01-000  
 SEALER  
 69640-01-000  
 NUT  
 130403-01-000  
 WASHER  
 127440-02-CHT

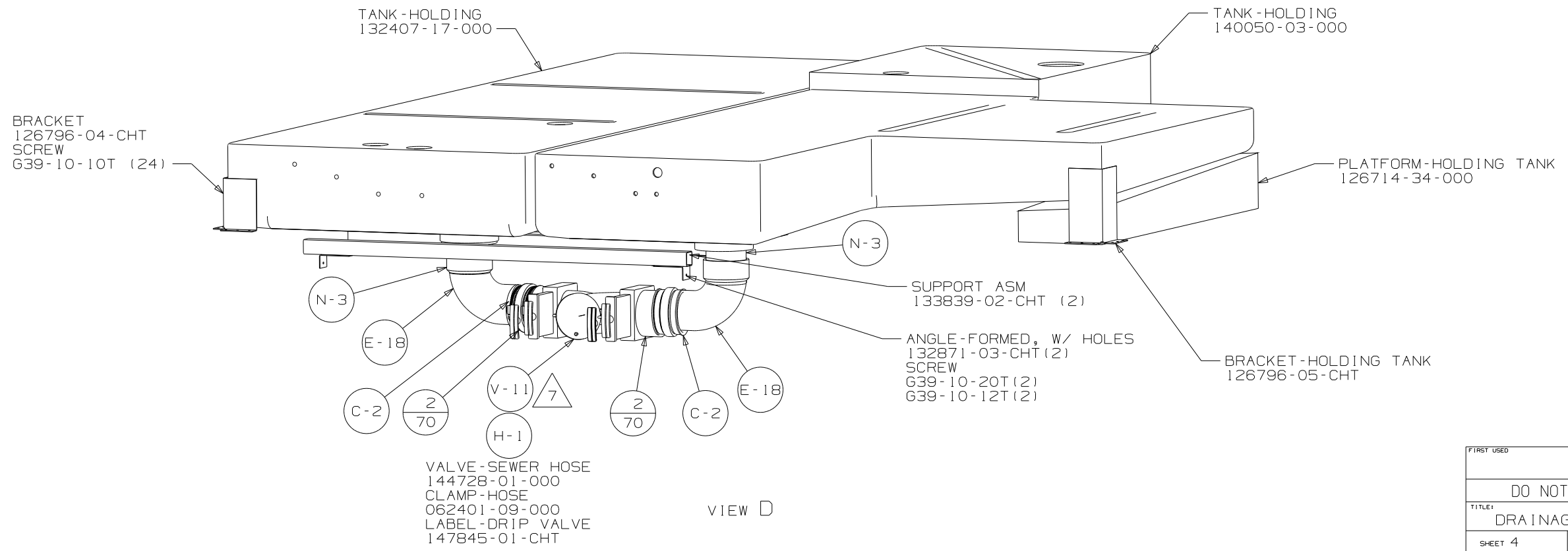
VIEW A

FIRST USED	06 P34H
DO NOT SCALE DRAWING	
TITLE	DRAINAGE SYSTEM INSTL
SHEET 2	PART NO 154638





VIEW C

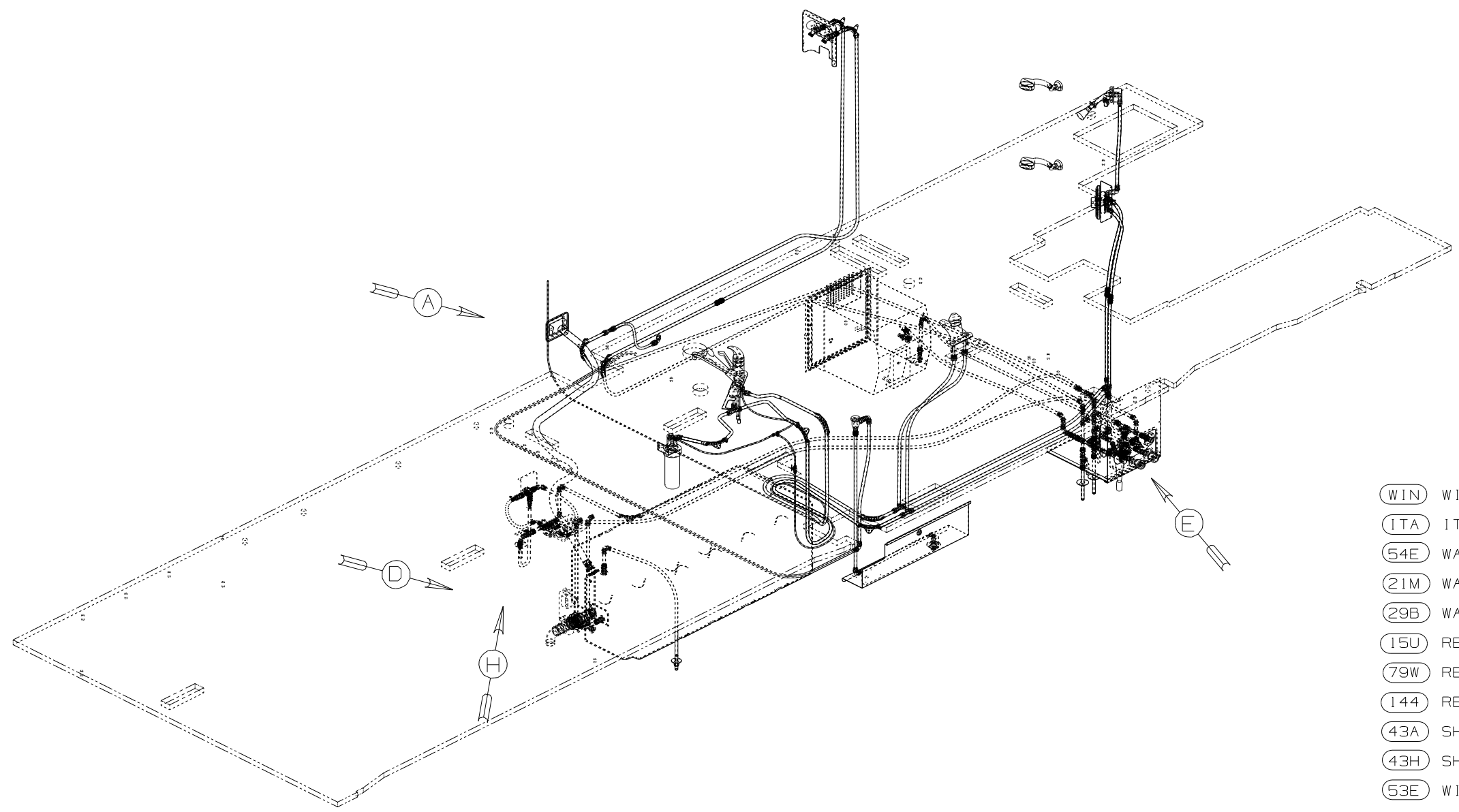


VIEW D

FIRST USED	06 P34H
DO NOT SCALE DRAWING	
TITLE	DRAINAGE SYSTEM INSTL
SHEET 4	PART NO 154638

DWG NO	---
154637-01	(WIN)
154637-02	(ITA)

RELEASE	REV DATE	DWG NO
A		154637
REV ZONE	REVISION RECORD	DATE
		DFTR-0R16

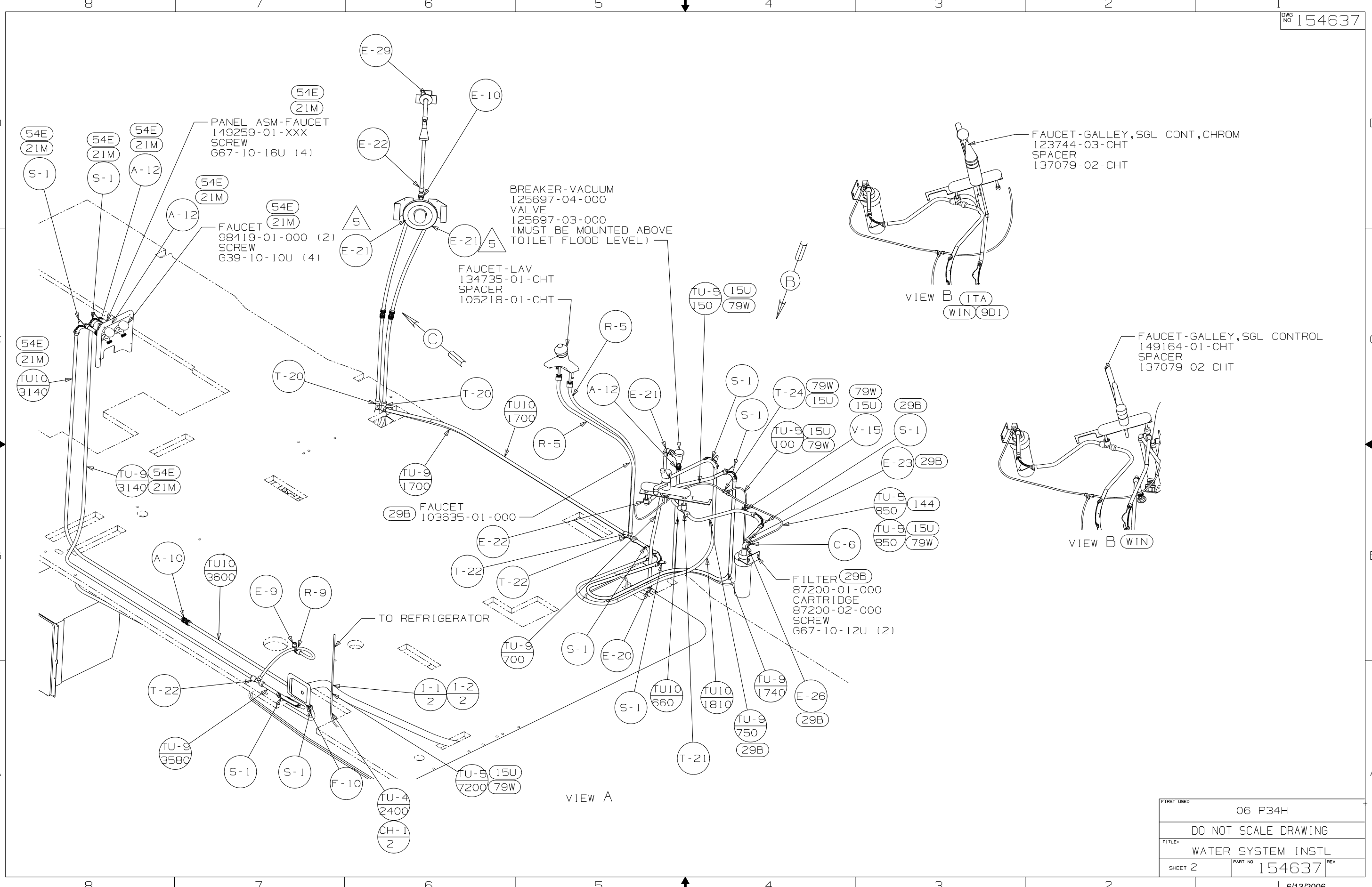


- (WIN) WINNEBAGO ONLY
- (ITA) ITASCA ONLY
- (54E) WASHER/DRYER
- (21M) WASHER/DRYER PREP
- (29B) WATER PURIFIER
- (15U) REFRIGERATOR/FRZR W/ICEMAKER
- (79W) REFRIGERATOR-4 DOOR
- (144) REFRIGERATOR-DOUBLE DOOR
- (43A) SHOWER HEAD-FIXED
- (43H) SHOWER HEAD-HAND HELD
- (53E) WINTERIZATION PACKAGE

- NOTES:
7. USE IN PLACE OF SUPPLIED SCREWS TO ATTACH BRACKET TO WALL.
  6. ADD PIPE WRAP (LADDER SCRAP) INSULATION HERE.
  5. ADD TEFLON TAPE 10405-01-000.
  4. ADD TEFLON TAPE 10405-02-000.
3. ALL TUBING TO BE SECURED AT 1200 INTERVALS MAXIMUM WITH CLAMP 10495-01-000 OR CLIP 9151-01-000 AND SCREW 667-10-12B.
  2. TUBING TO BE INSTALLED WITH SUFFICIENT SLOPE TO PROVIDE DRAINAGE TO NEAREST VALVE.
  1. PLASTIC FITTINGS TO BE SEALED WITH SEALANT 84456-01-000.

(X-X)  
FOR  
WATER  
CALLOUTS  
SEE DWG NO  
116230-01-000

<b>WINNEBAGO</b>		COPYRIGHT 2006 WINNEBAGO INDUSTRIES, INC.	
DFTR	ORIG. DATE	ALL DIMENSIONS ARE IN MILLIMETERS	
CHKR		MATERIAL:	
P.E.		UNSPECIFIED TOLERANCES ARE:	
M.E.	FIRST USED	WHOLE DIM (X)	: 7
DSNR	06 P34H	ONE-PLACE (X.X)	:
		TWO-PLACE (X.XX)	:
		ANGLE	:
THIRD ANGLE PROJECTION		DO NOT SCALE DRAWING	
TITLE: WATER SYSTEM INSTL			
SHEET 1 OF 5	PART NO	154637	REV
REF:	1 6/13/2006		



54E 21M  
 54E 21M  
 54E 21M  
 S-1  
 S-1  
 A-12  
 A-12  
 54E 21M  
 54E 21M  
 FAUCET 98419-01-000 (2)  
 SCREW 639-10-10U (4)

E-29  
 E-10  
 E-22  
 E-21  
 5  
 5  
 BREAKER-VACUUM 125697-04-000  
 VALVE 125697-03-000  
 (MUST BE MOUNTED ABOVE TOILET FLOOD LEVEL)  
 FAUCET-LAV 134735-01-CHT  
 SPACER 105218-01-CHT

FAUCET-GALLEY, SGL CONT, CHROM  
 123744-03-CHT  
 SPACER 137079-02-CHT

54E 21M  
 TU10 3140  
 TU-9 54E 3140 21M

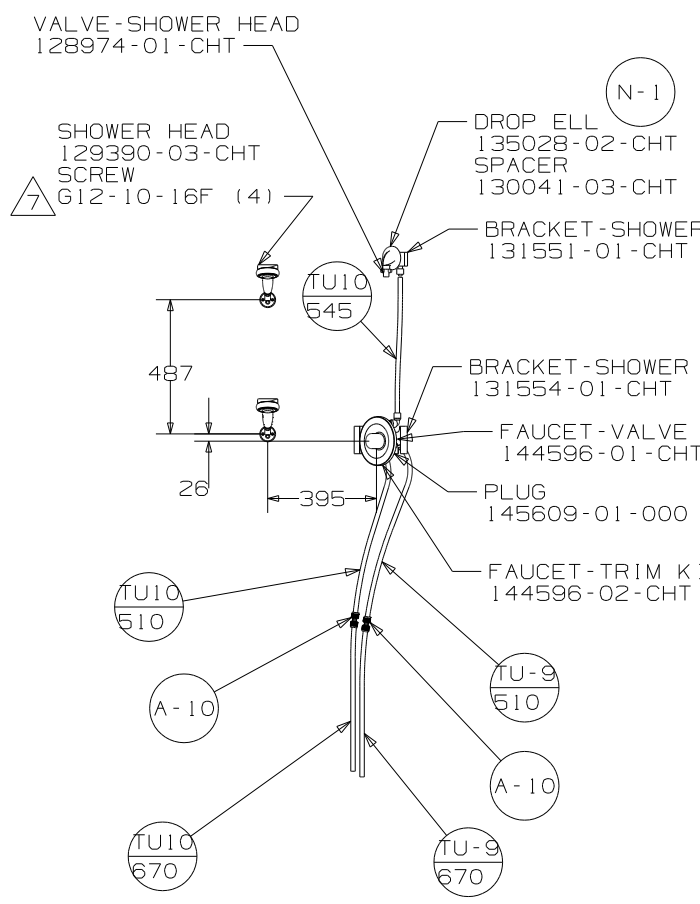
T-20  
 T-20  
 TU10 1700  
 R-5  
 A-12  
 E-21  
 S-1  
 S-1  
 T-24 79W 15U  
 TU-5 15U 79W  
 V-15 79W 15U  
 S-1  
 E-23 29B  
 TU-5 850 144  
 TU-5 850 15U 79W  
 C-6

FAUCET-GALLEY, SGL CONTROL  
 149164-01-CHT  
 SPACER 137079-02-CHT

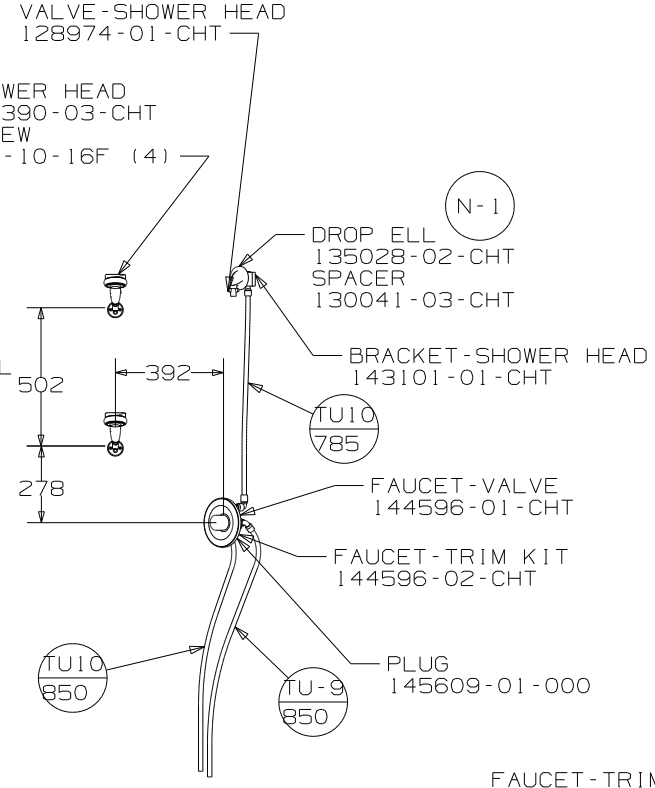
29B FAUCET 103635-01-000  
 E-22  
 T-22  
 TU-9 700  
 S-1  
 E-20  
 TO REFRIGERATOR  
 1-1 1-2 2 2  
 S-1  
 TU10 660  
 TU10 1810  
 TU-9 750 29B  
 E-26 29B  
 FILTER 29B 87200-01-000  
 CARTRIDGE 87200-02-000  
 SCREW 667-10-12U (2)

A-10  
 TU10 3600  
 E-9  
 R-9  
 T-22  
 TU-9 3580  
 S-1  
 S-1  
 F-10  
 TU-4 2400  
 CH-1 2  
 TU-9 7200 15U 79W

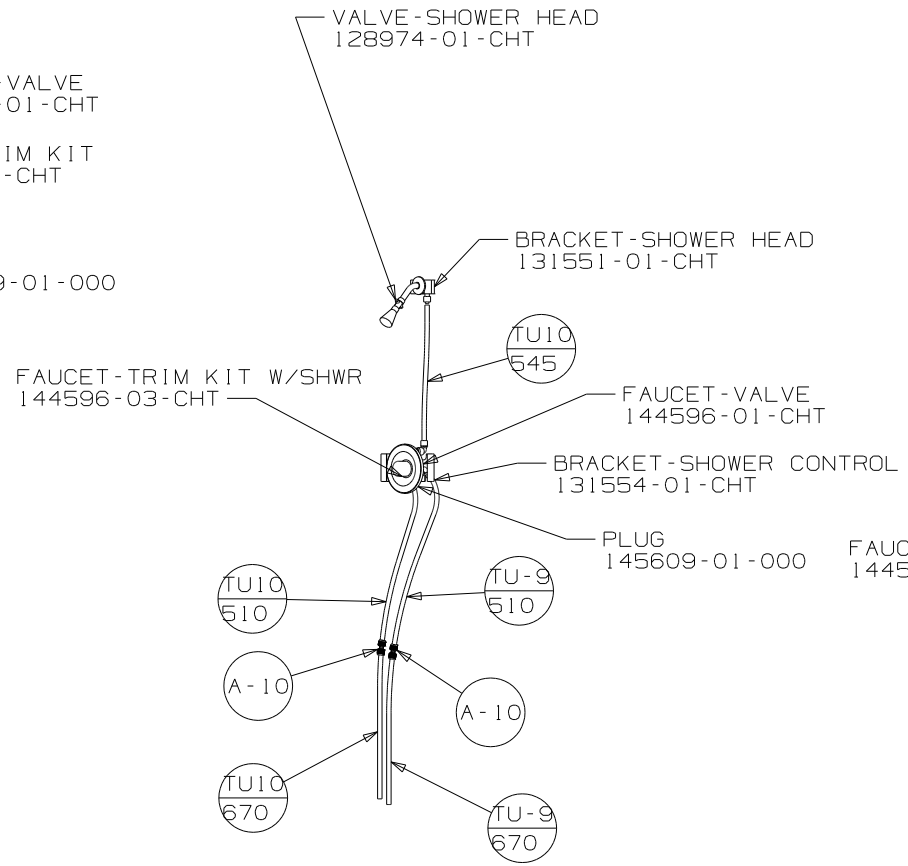
FIRST USED	06 P34H
TITLE	DO NOT SCALE DRAWING
SHEET 2	PART NO 154637
	REV 1 6/13/2006



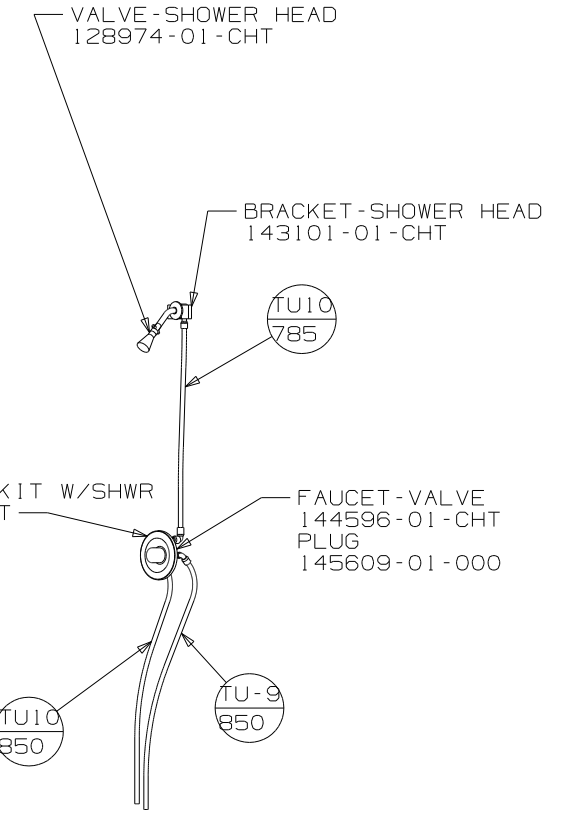
VIEW C  
WIN 43H



VIEW C  
ITA 43H



VIEW C  
WIN 43A

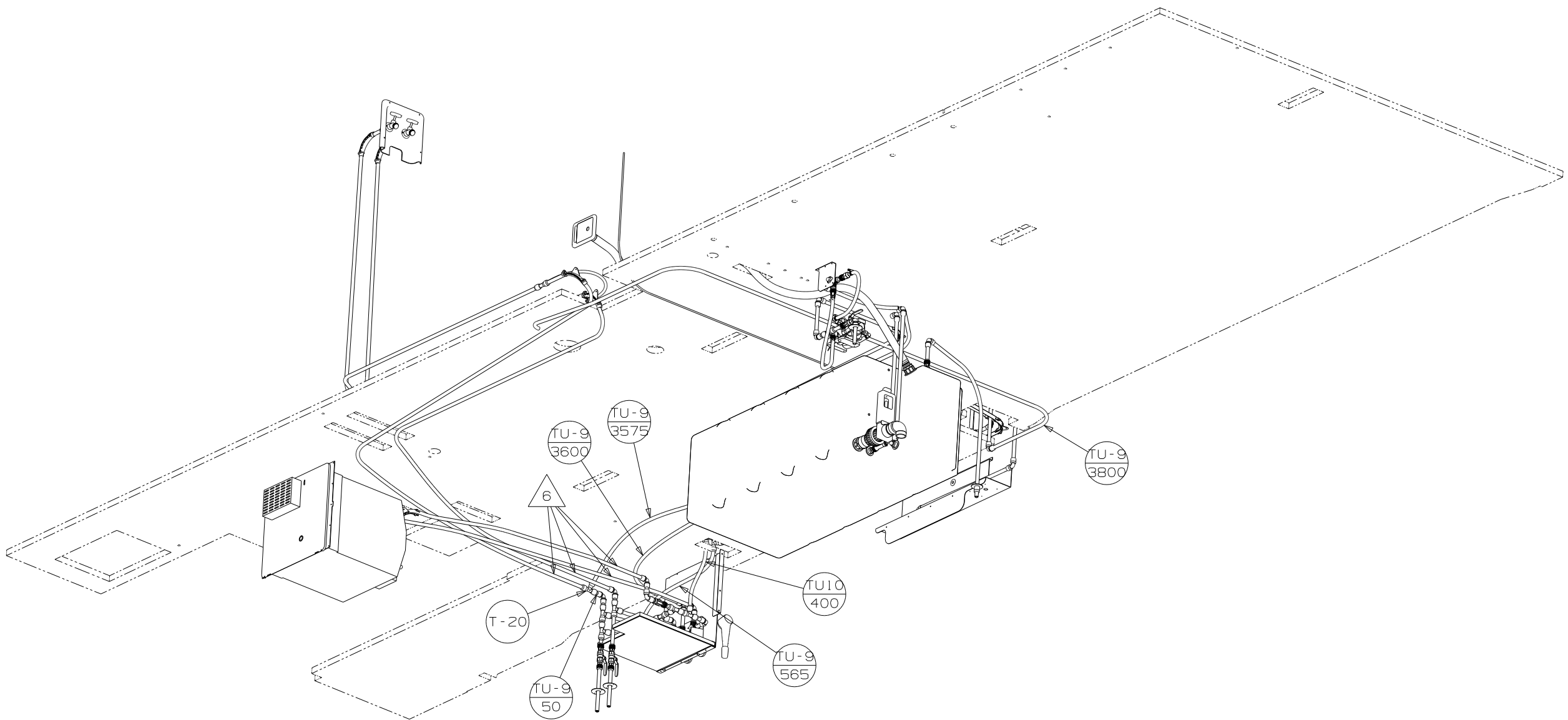


VIEW C  
ITA 43A

FIRST USED	06 P34H		
TITLE	DO NOT SCALE DRAWING		
TITLE	WATER SYSTEM INSTL		
SHEET 3	PART NO	154637	REV







VIEW H

FIRST USED	06 P34H	
TITLE	DO NOT SCALE DRAWING	
SHEET 5	PART NO 154637	REV
I 6/13/2006		