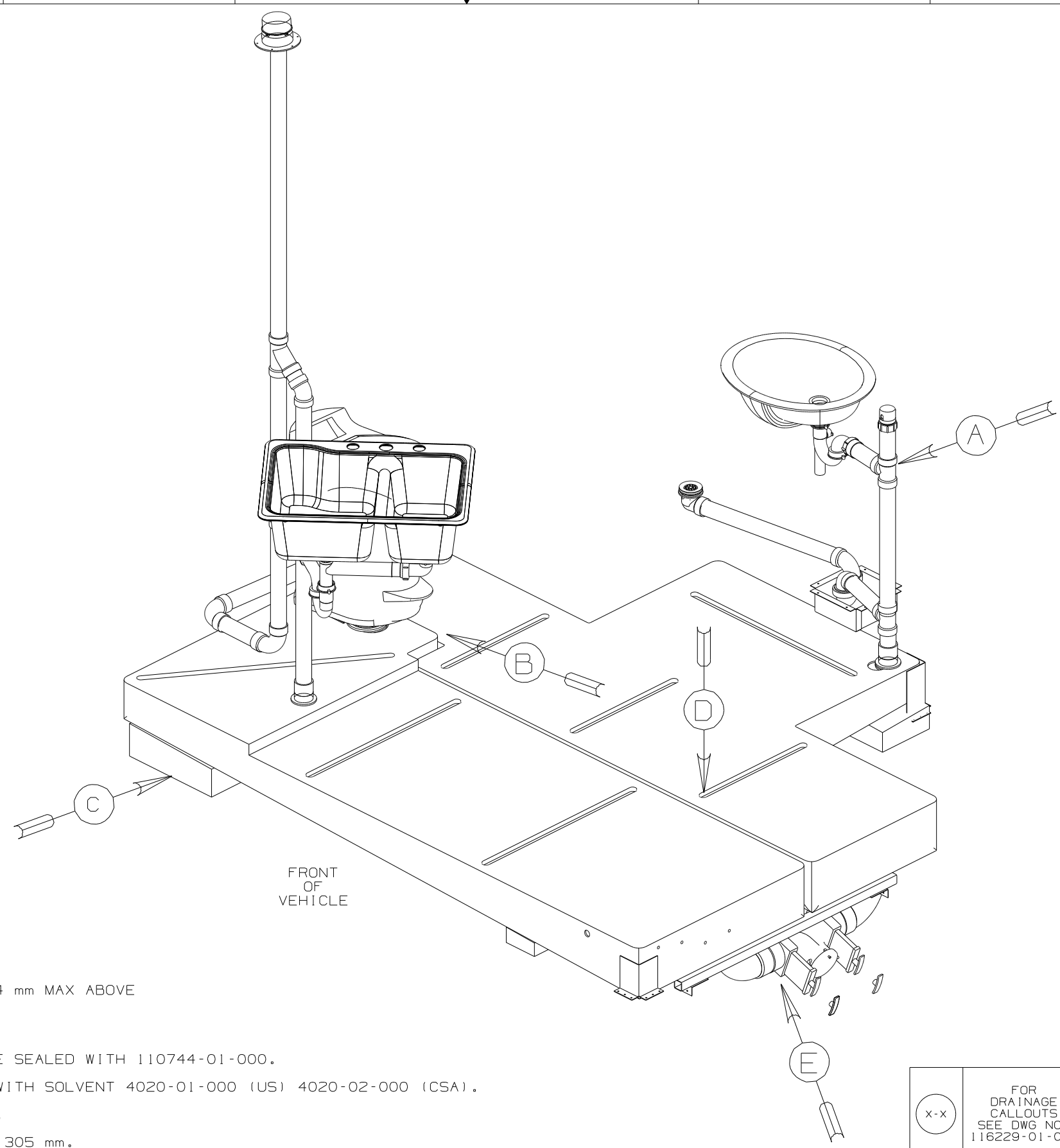


DWG NO	-----
155210-01	(WIN)
155210-02	(ITA)

RELEASE	REV DATE	DWG NO
	A	155210
REV ZONE	REVISION RECORD	DATE
		DFT-016

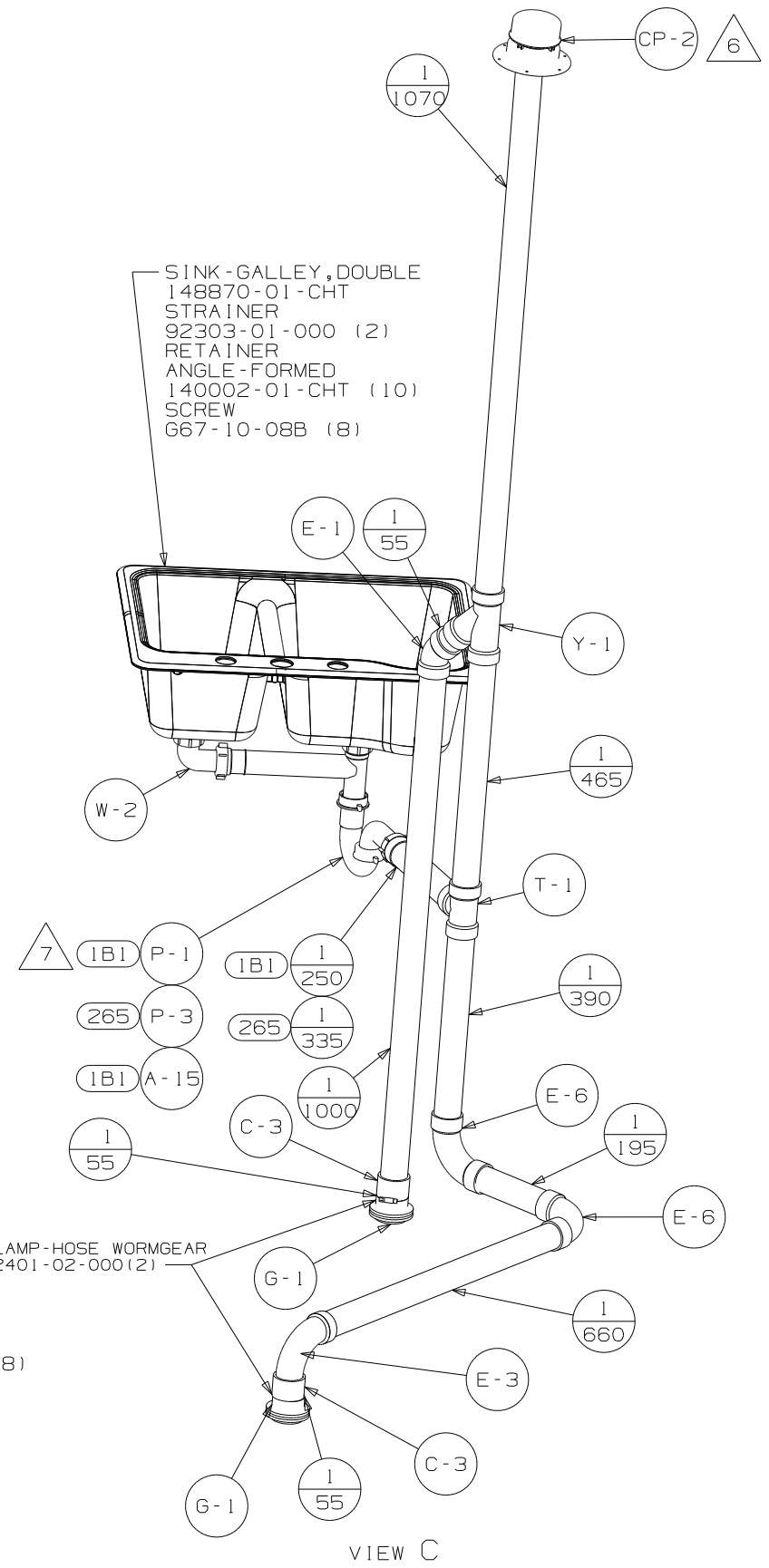
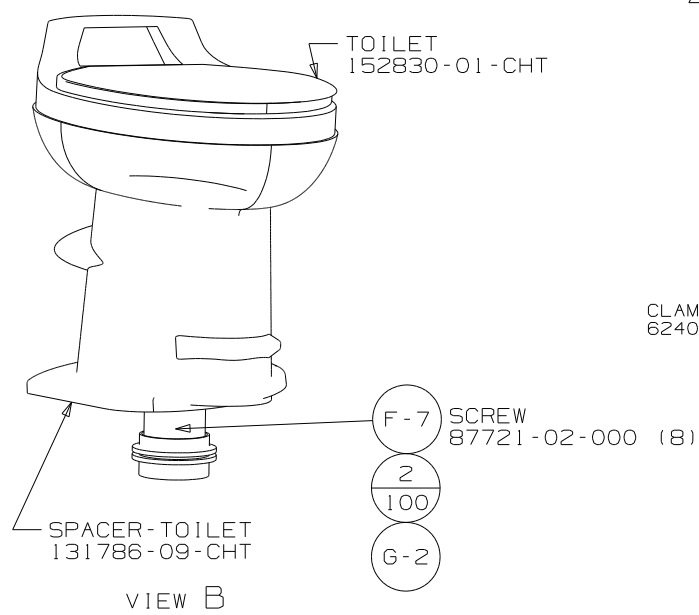
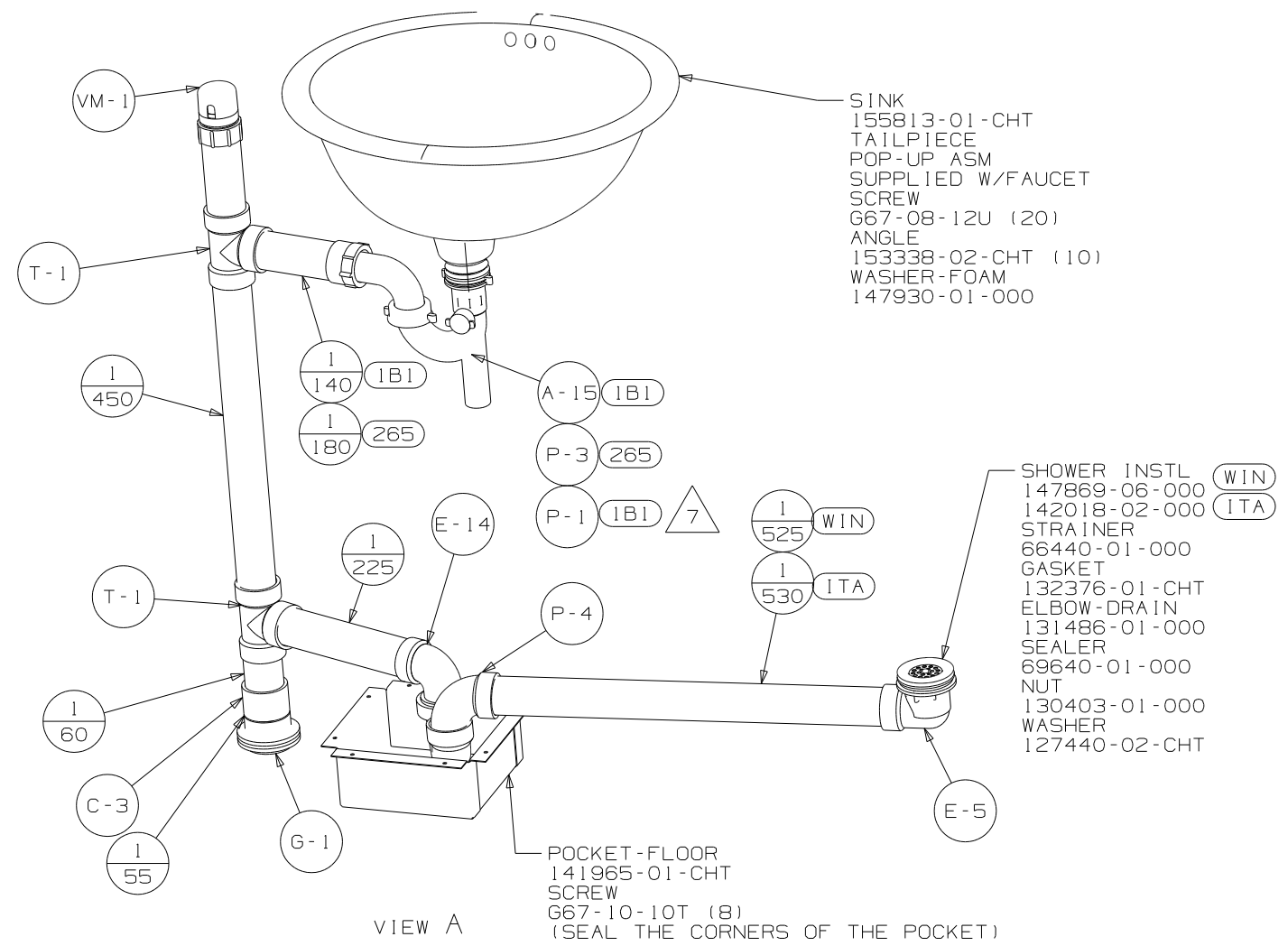


- (WIN) WINNEBAGO ONLY
- (ITA) ITASCA ONLY
- (265) CODES/STDS-CSA/CVSS
- (IB1) CODES/STANDARS-USA

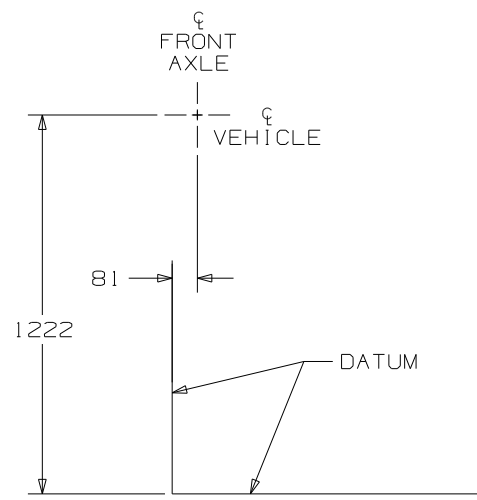
- NOTES:
- 7 TRIM TO FIT.
 - 6 VENT PIPE MUST PROJECT 51 mm MIN AND 64 mm MAX ABOVE ROOF FOR PROPER FIT.
 5. SEAL AROUND SHOWER WITH SILICONE.
 4. ALL EXTERIOR OPENINGS AROUND PIPE TO BE SEALED WITH 110744-01-000.
 3. ALL PIPE AND FITTINGS TO BE ASSEMBLED WITH SOLVENT 4020-01-000 (US) 4020-02-000 (CSA).
 2. SLOPE OF TRAP ARM MUST BE 6 PER 305 mm.
 1. SLOPE OF HORIZONTAL PIPING TO BE 6 PER 305 mm.

(X-X)
FOR DRAINAGE CALLOUTS SEE DWG NO. 116229-01-000

WINNEBAGO		COPYRIGHT 2006 WINNEBAGO INDUSTRIES, INC.	
DFT	ORIG. DATE	ALL DIMENSIONS ARE IN MILLIMETERS	
CHKR		FIRST USED	
P.E.		06 P32T	
M.E.		UNSPECIFIED TOLERANCES ARE:	
DSNR		MATERIAL:	
		WHOLE DIM (X)	: 7
		ONE-PLACE (X.X)	:
		TWO-PLACE (X.XX)	:
		ANGLE	:
		THIRD ANGLE PROJECTION	⊕
DO NOT SCALE DRAWING			
TITLE: DRAINAGE SYSTEM INSTL			
SHEET 1 OF 3	PART NO	155210	REV



FIRST USED	06 P32T	
TITLE	DO NOT SCALE DRAWING	
	DRAINAGE SYSTEM INSTL	
SHEET 2	PART NO 155210	REV



BRACKET
94756-02-CHT (2)
SCREW
G39-10-10T (16)

PLATFORM ASM
126714-35-000

PLATFORM ASM
126714-36-000

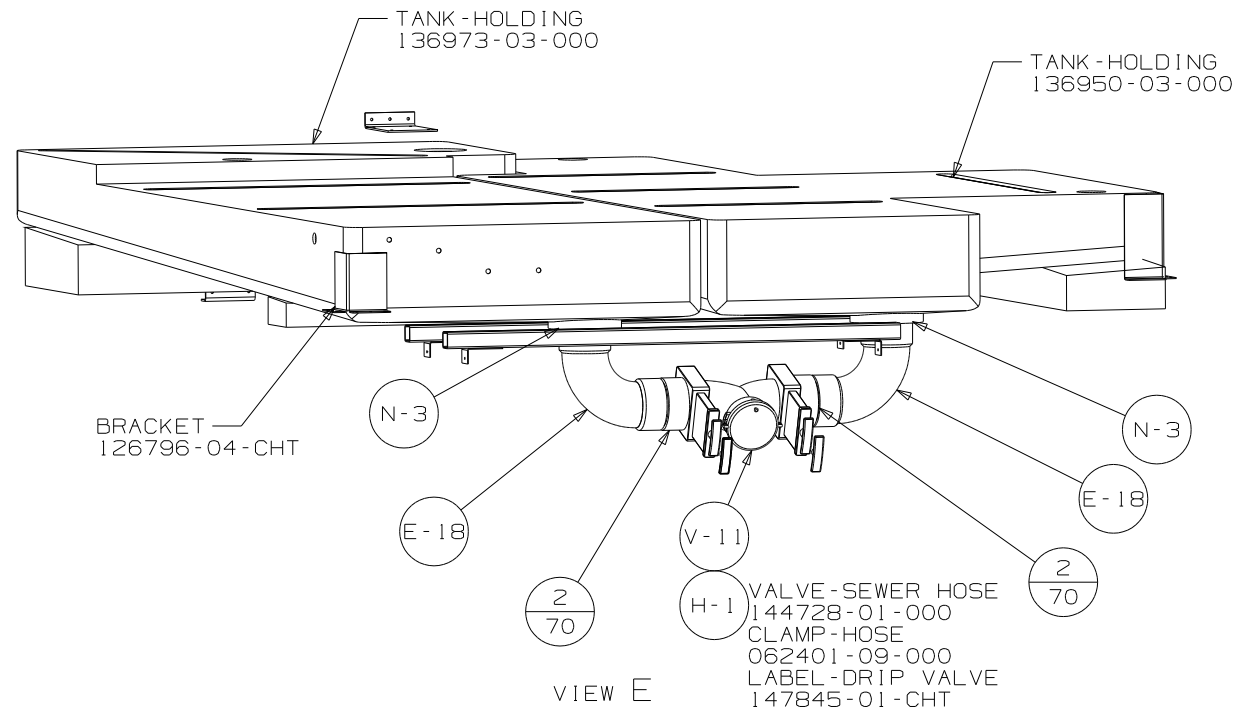
BRACKET-HOLDING TANK
126796-05-CHT

PLATFORM ASM
126714-34-000

SUPPORT ASM
133839-02-CHT (2)
SCREW
G39-10-20T (2)
G39-10-12T (2)
ANGLE
132871-03-CHT (2)

3115
186
3852

VIEW D

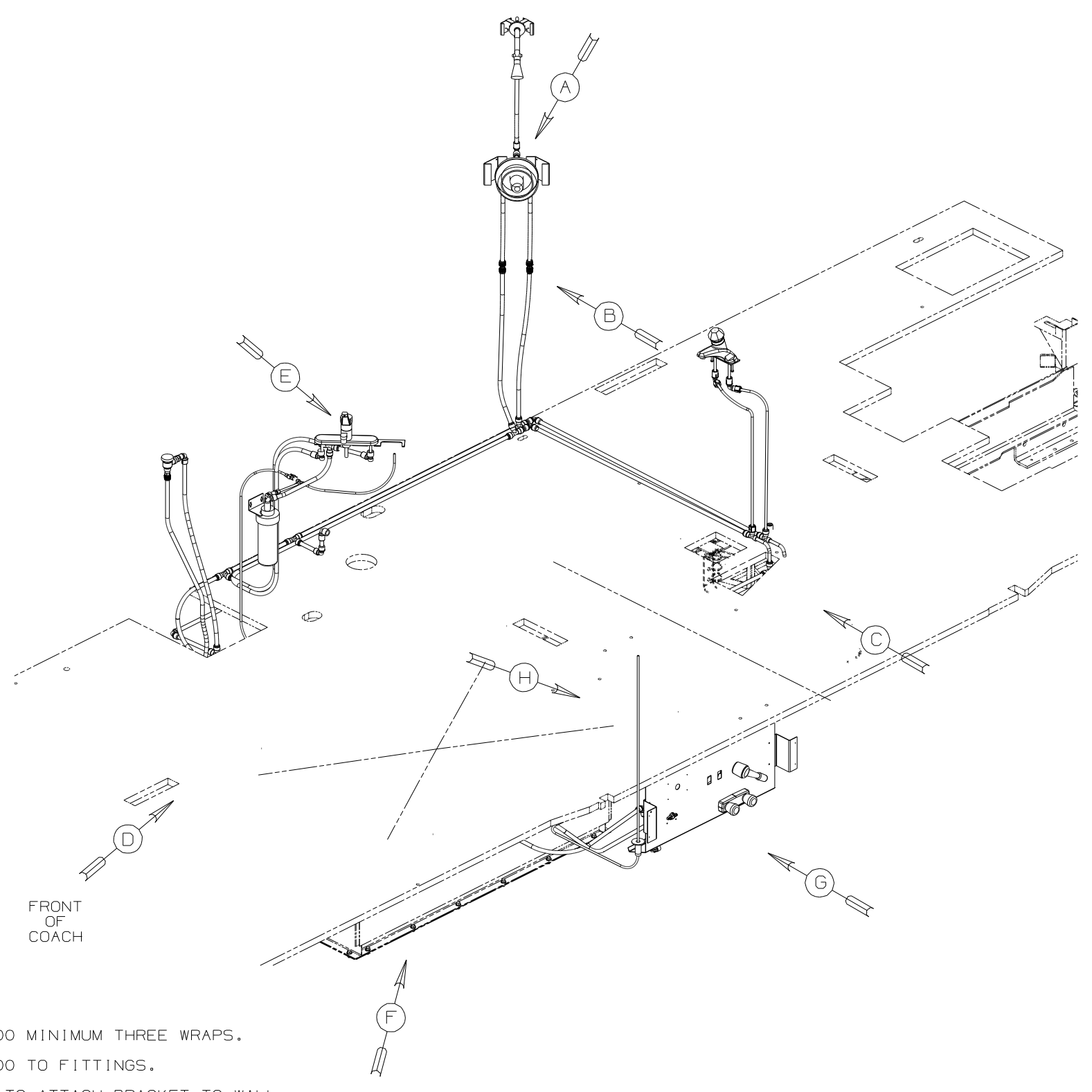


VIEW E

FIRST USED	06 P32T	
TITLE	DO NOT SCALE DRAWING	
SHEET 3	PART NO 155210	REV

DWG NO	----
155209-01	(WIN)
155209-02	(ITA)

RELEASE	REV DATE	DWG NO
A		155209
REV ZONE	REVISION RECORD	DATE DFR-ORIG

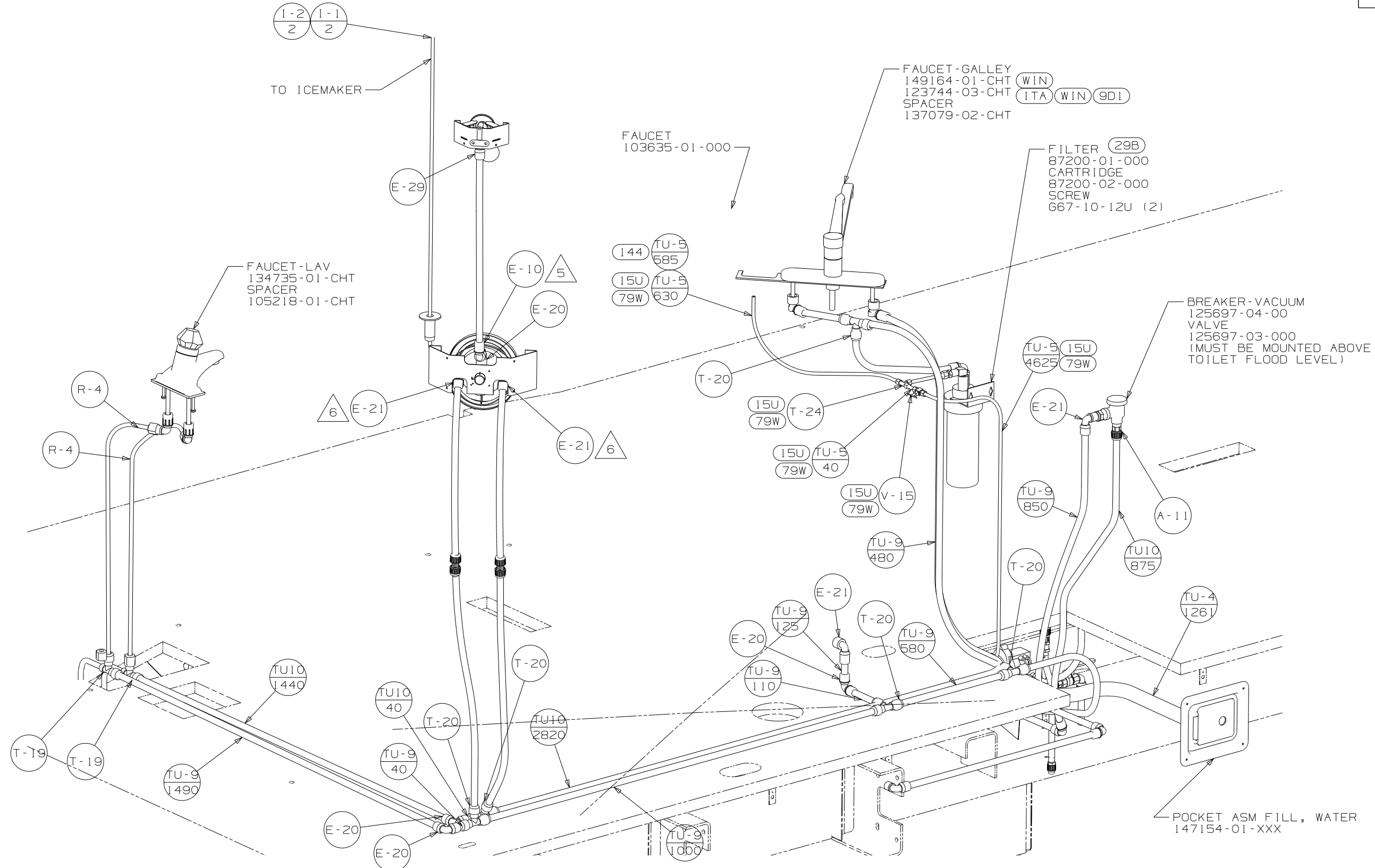


- (WIN) WINNEBAGO ONLY
- (ITA) ITASCA ONLY
- (43A) SHOWER HEAD-FIXED
- (43H) SHOWER HEAD-HAND HELD
- (15U) REFRIGERATOR/FRZR W/ICEMAKER
- (29B) WATER PURIFIER
- (79W) REFRIGERATOR-4 DOOR
- (53E) WINTERIZATION PACKAGE
- (9DI) APPLIANCE PKG-STNLS STEEL
- (144) REFRIGERATOR-DOUBLE DOOR

- NOTES:
- 6 WRAP WITH TEFLON TAPE 10405-01-000 MINIMUM THREE WRAPS.
 - 5 WRAP WITH TEFLON TAPE 10405-02-000 TO FITTINGS.
 - 4 USED IN PLACE OF SUPPLIED SCREWS TO ATTACH BRACKET TO WALL.
 - 3. ALL TUBING TO BE SECURED AT 1200 INTERVALS MAXIMUM WITH CLAMP 10495-01-000 OR CLIP 9151-01-000 AND SCREW G67-10-10B.
 - 2. TUBING TO BE INSTALLED WITH SUFFICIENT SLOPE TO PROVIDE DRAINAGE TO NEAREST VALVE.
 - 1. PLASTIC FITTINGS TO BE SEALED WITH SEALANT 84456-01-000.

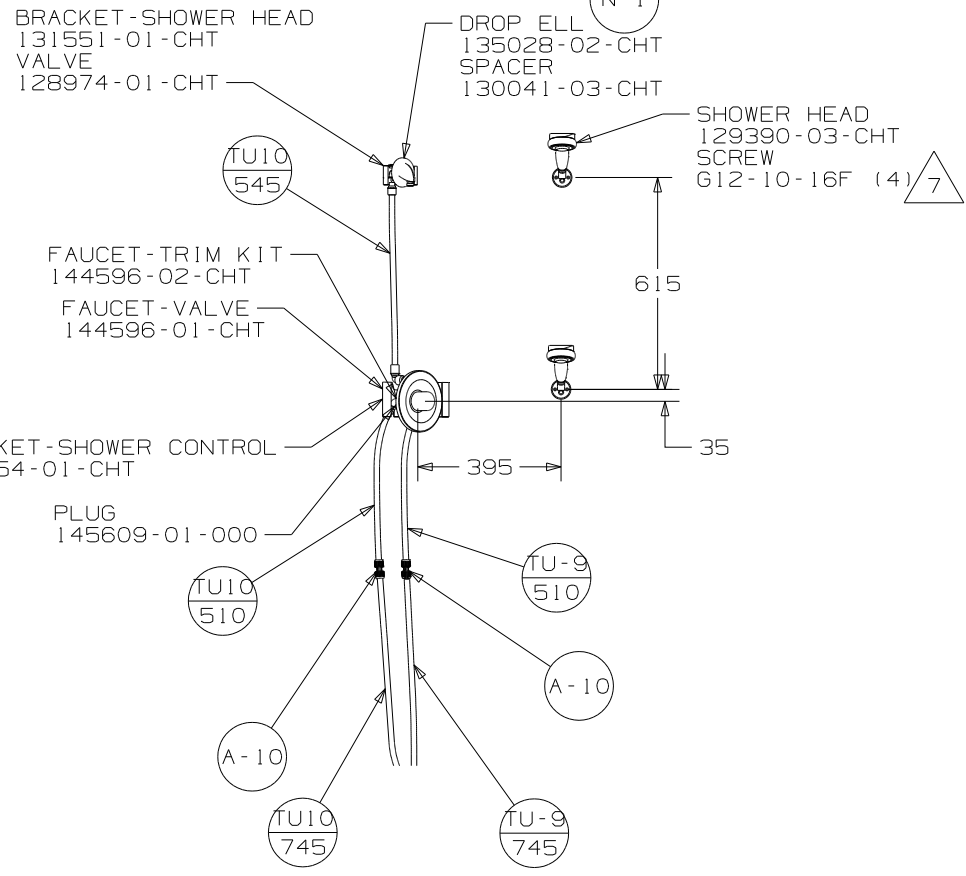
(X-X)
FOR
WATER
CALLOUTS
SEE DWG NO
116230-01-000

WINNEBAGO		COPYRIGHT 2006 WINNEBAGO INDUSTRIES, INC.	
DFTR	ORIG. DATE	ALL DIMENSIONS ARE IN MILLIMETERS	
CHKR		FIRST USED	
P.E.		06 P32T	
M.E.		UNSPECIFIED TOLERANCES ARE:	
DSNR		MATERIAL:	
		WHOLE DIM (X)	: 3
		ONE-PLACE (X.X)	: 1.5
		TWO-PLACE (X.XX)	: 0.50
		ANGLE	: 1°
THIRD ANGLE PROJECTION		DO NOT SCALE DRAWING	
TITLE: WATER SYSTEM INSTL			
SHEET 1 OF 6	PART NO	155209	REV
REF:	1 6/13/2006		

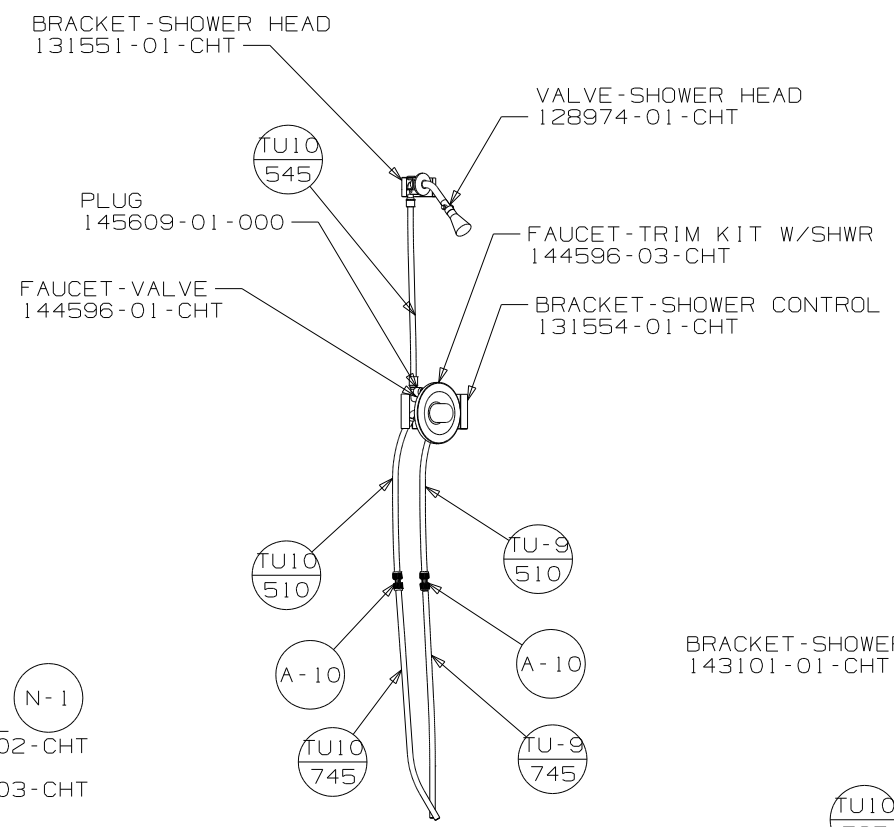


VIEW A

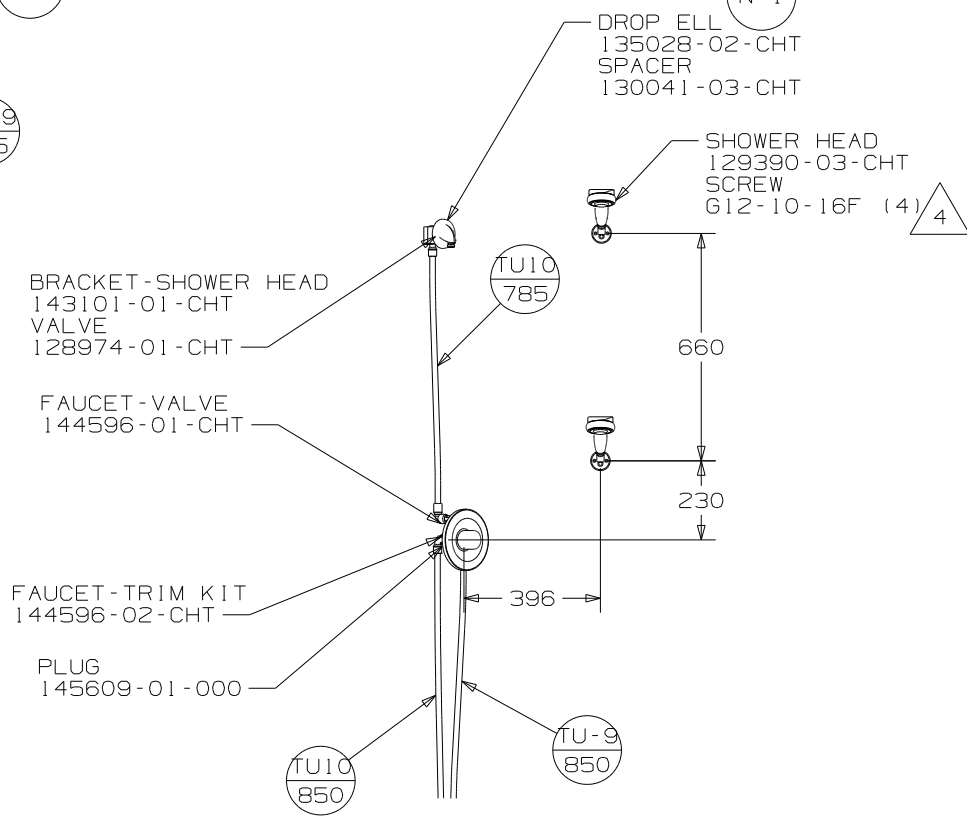
FIRST USED	06 P32T		
TITLE	DO NOT SCALE DRAWING		
TITLE	WATER SYSTEM INSTL		
SHEET 2	PART NO	155209	REV



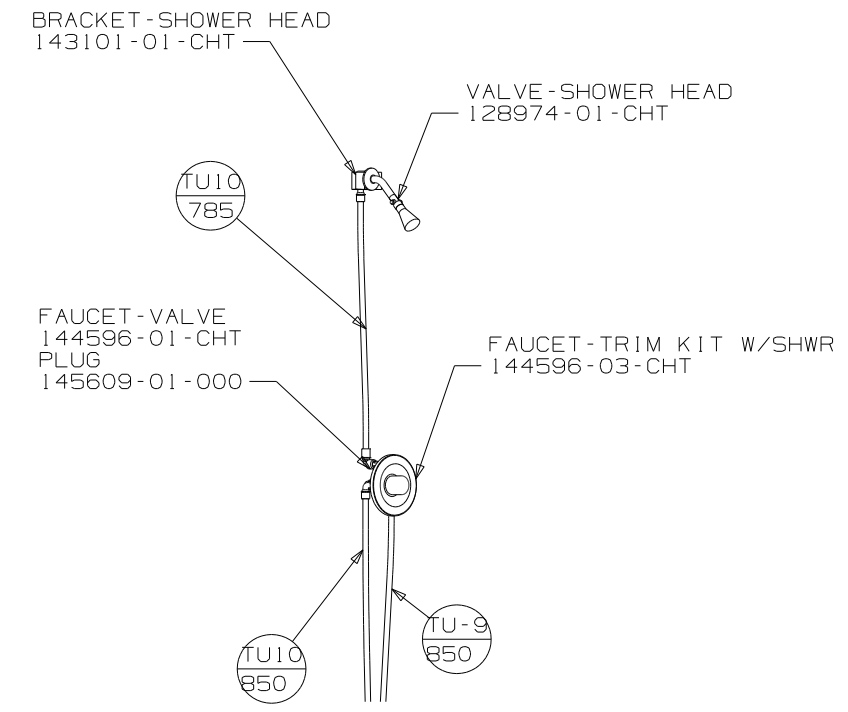
VIEW B
(WIN) (43H)



VIEW B
(WIN) (43A)

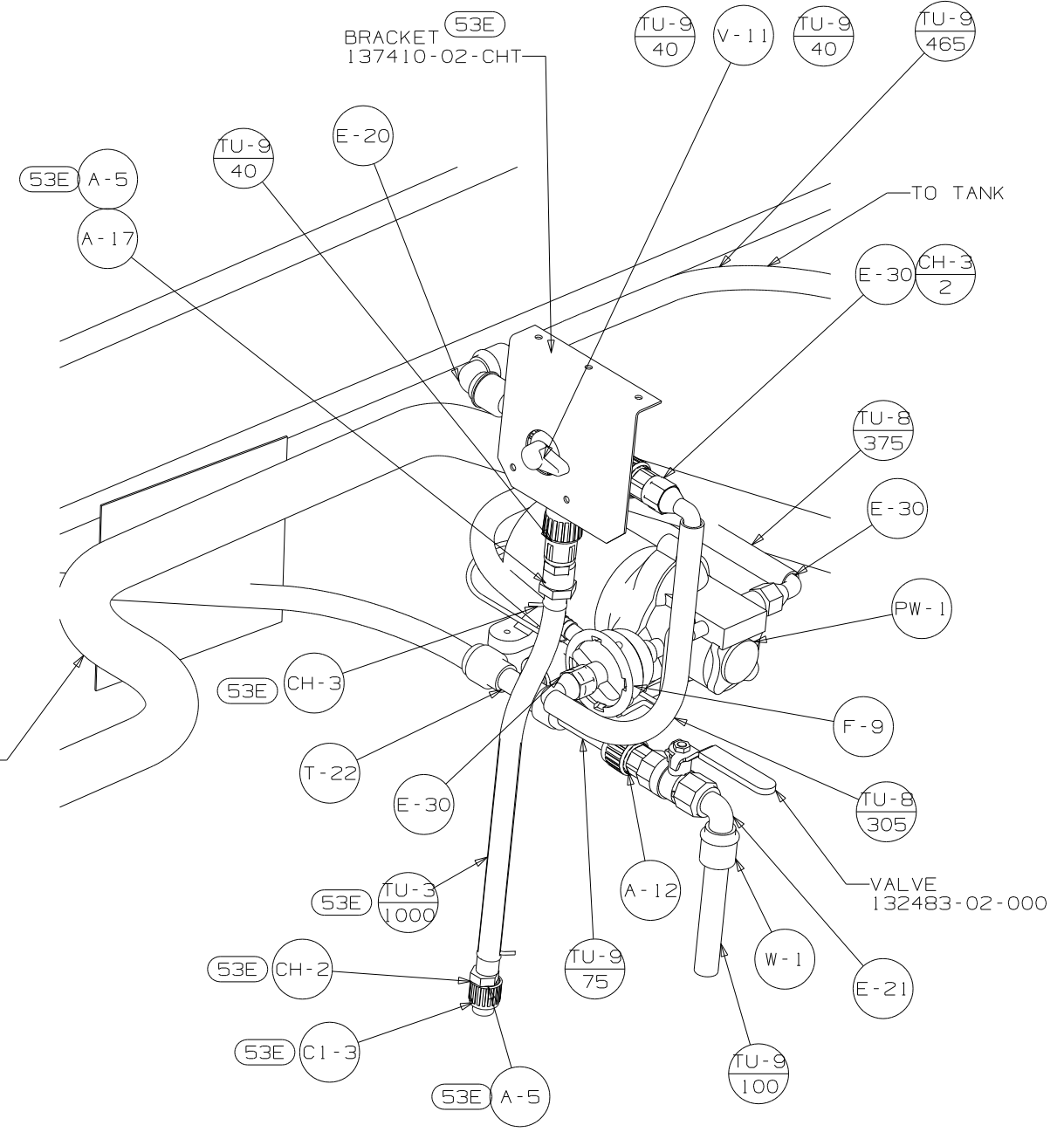
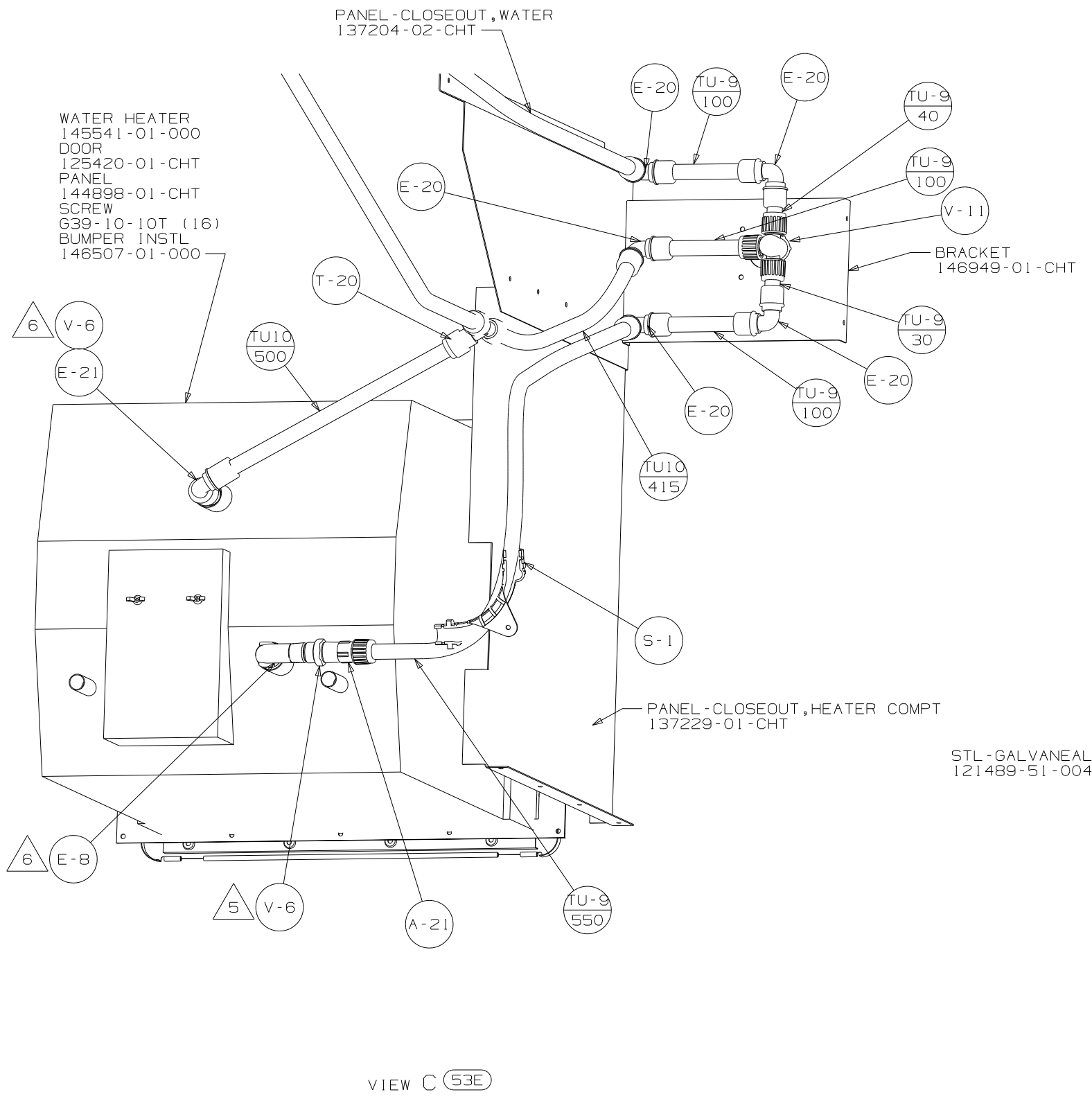


VIEW B
(ITA) (43H)



VIEW B
(ITA) (43A)

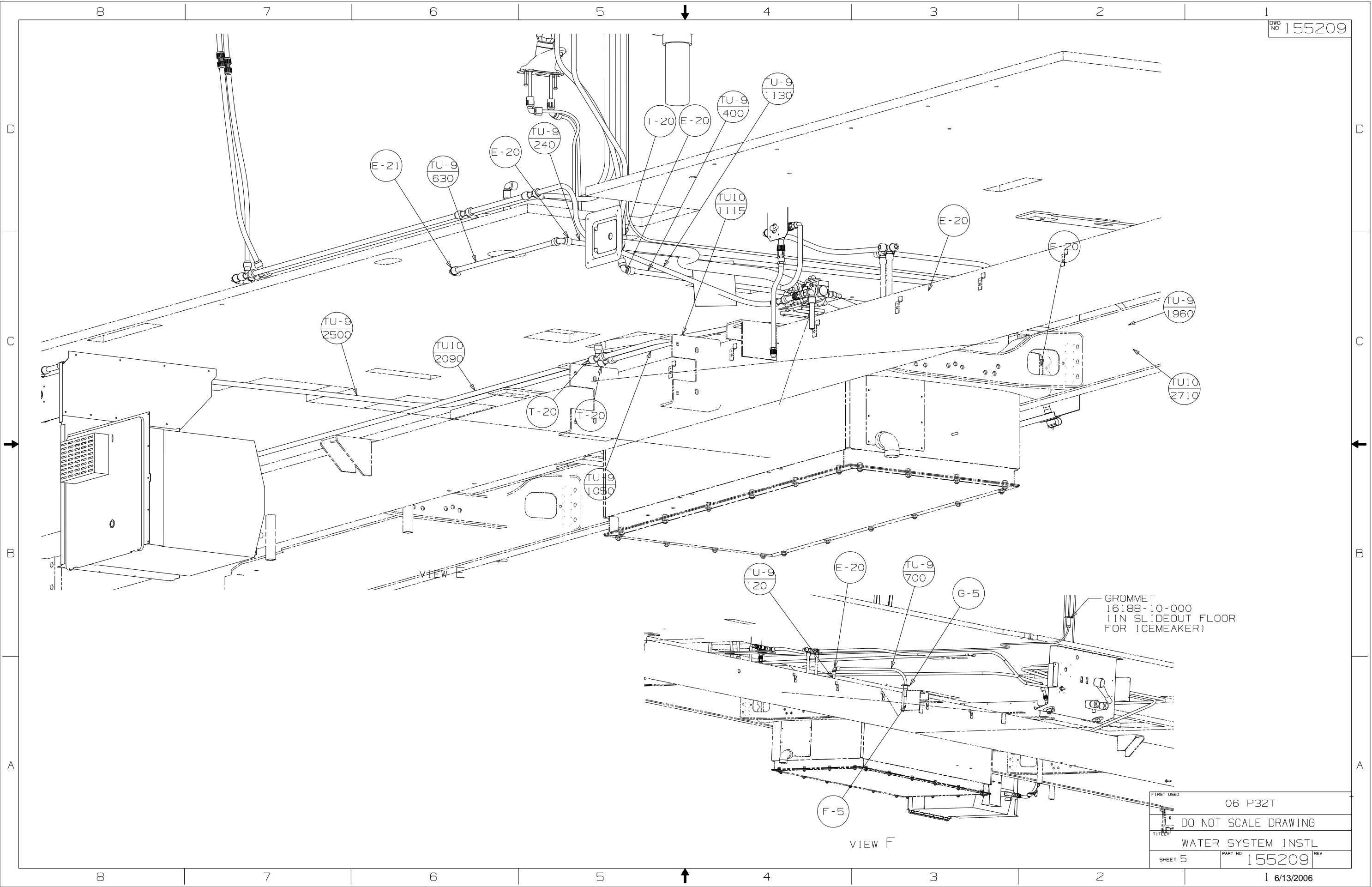
FIRST USED	06 P32T		
TITLE	DO NOT SCALE DRAWING		
TITLE	WATER SYSTEM INSTL		
SHEET 3	PART NO	155209	REV

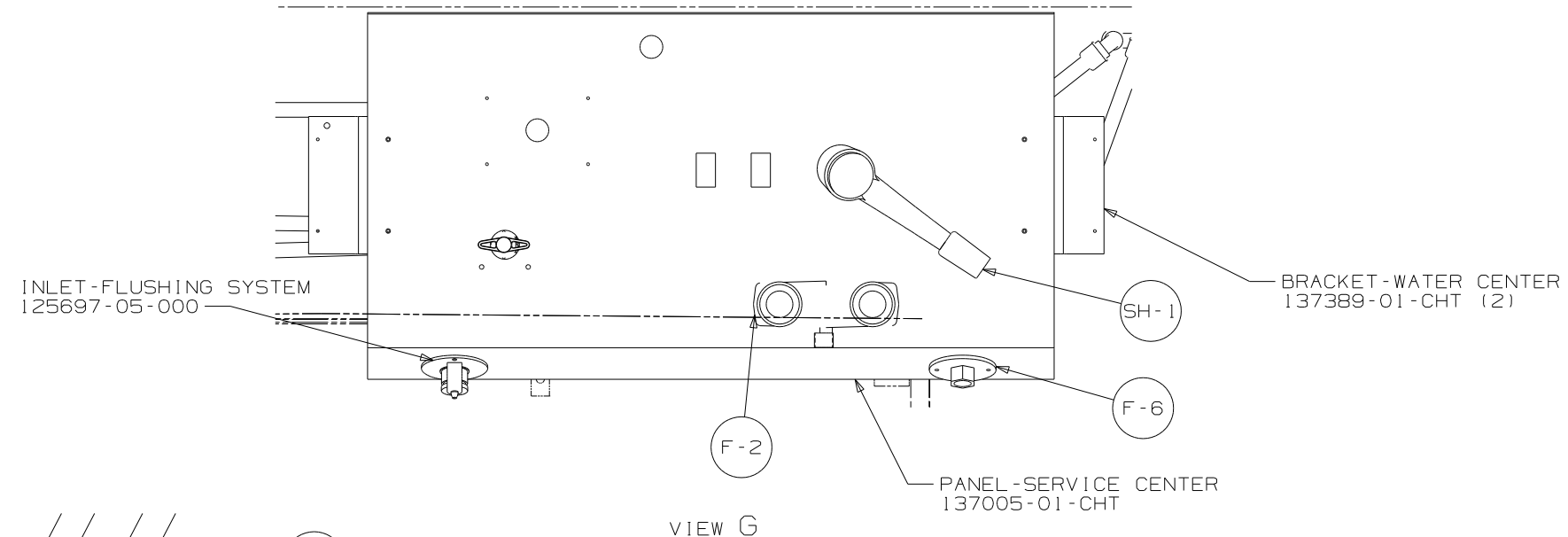


VIEW C (53E)

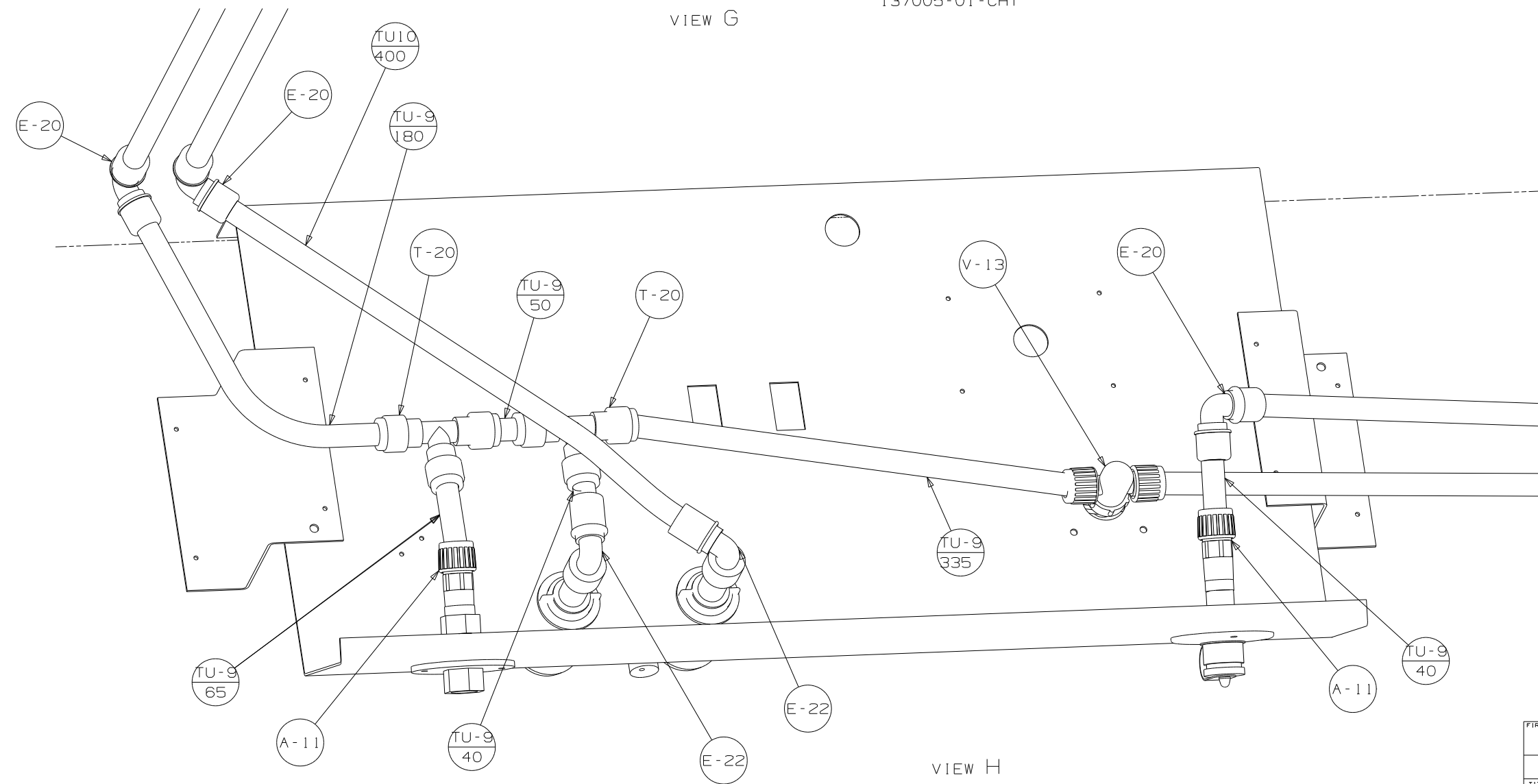
VIEW D

FIRST USED	06 P32T	
TITLE	DO NOT SCALE DRAWING	
TITLE	WATER SYSTEM INSTL	
SHEET 4	PART NO 155209	REV





VIEW G



VIEW H

FIRST USED	06 P32T	
TITLE	DO NOT SCALE DRAWING	
TITLE	WATER SYSTEM INSTL	
SHEET 6	PART NO	REV
	155209	