



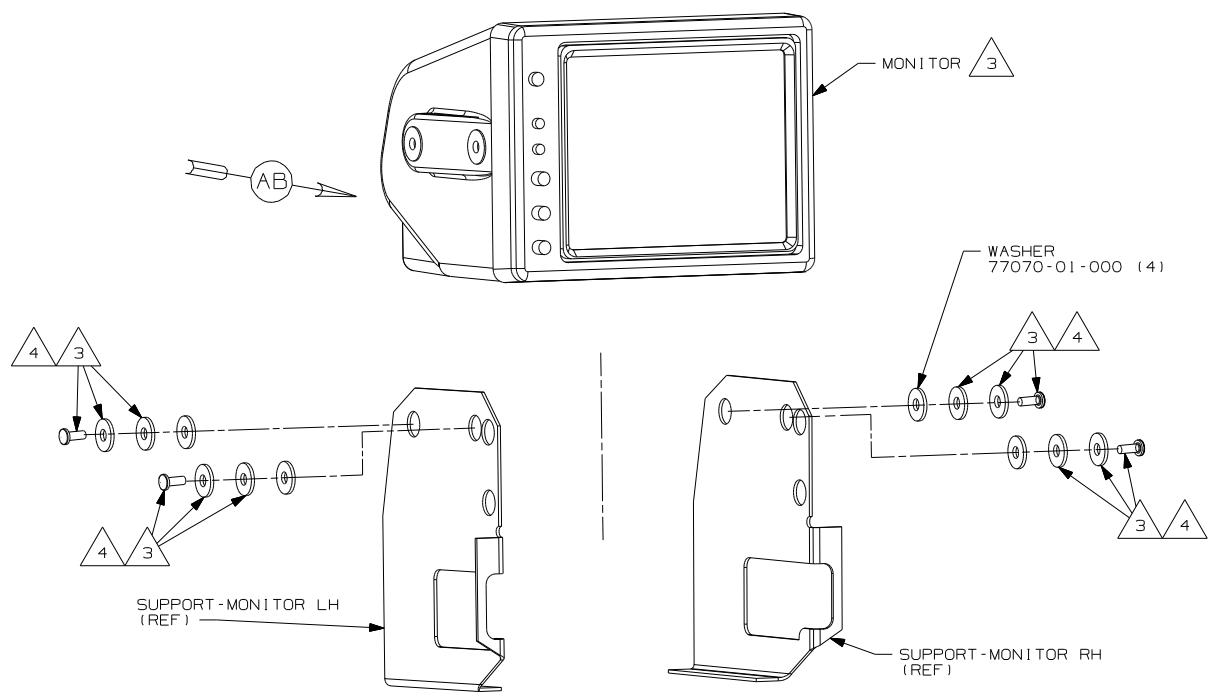
**DANGER**

**Danger of electrical shock, burns or death.** Always remove all power sources before attempting any repair, service or diagnostic work. Power can be present from shore power, generator, inverter or battery. All power sources must be disabled and secured before performing any service.

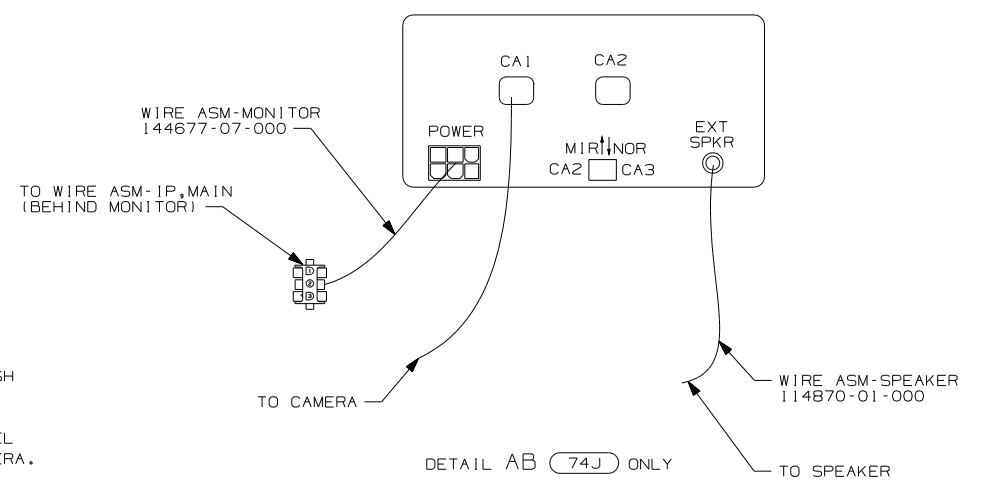
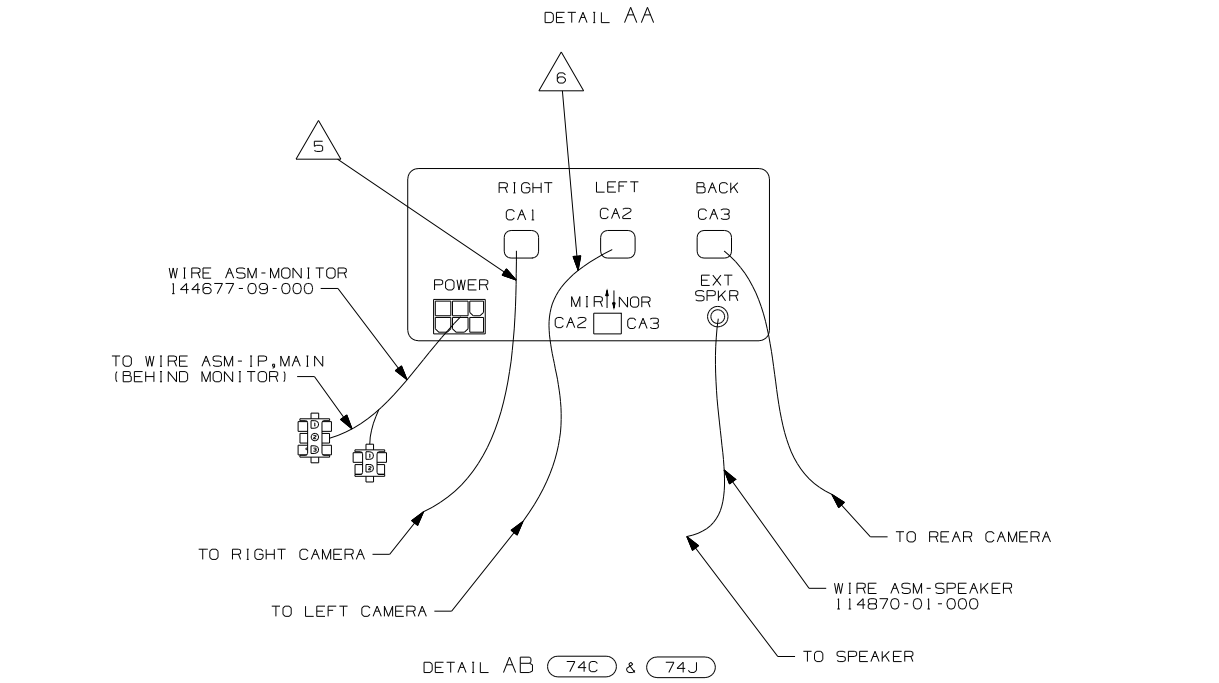
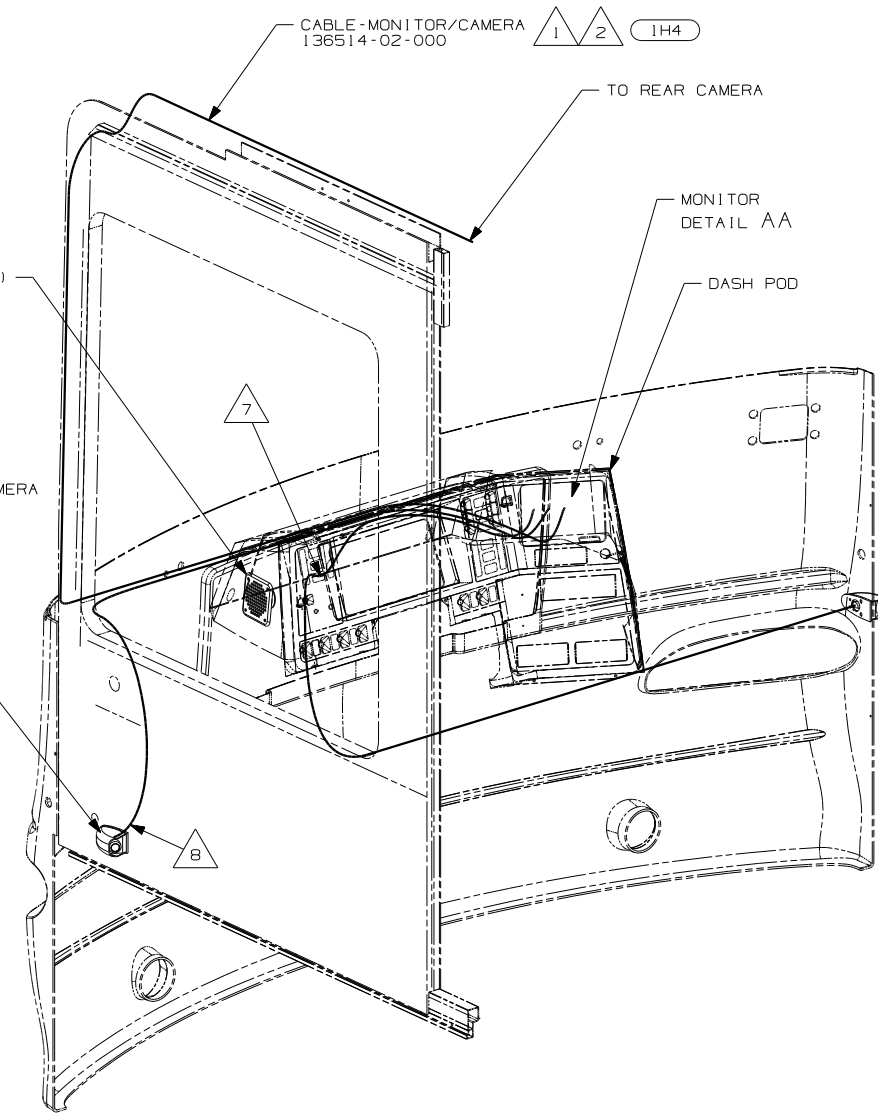


**CAUTION**

If you lack the skills, tools or equipment to perform diagnostic or repair work leave such work to an authorized Winnebago Industries dealer or other qualified shop.



- SPEAKER 98819-01-000
- GRILLE 93214-01-CHT
- SCREW 154938-01-CHT (4)
- SEAL 74C



- 74J REARVIEW MONITOR SYS W/AUDIO
- 74C VIDEO CAMERA SYSTEM
- 1H4 REARVIEW MONITOR-WIRE PREP
- 1A5 REARVIEW MONITOR SYSTEM W/O

- 4 PARTS SUPPLIED WITH MONITOR P/N 144677-08-000 74J & 74C
- 3 PARTS SUPPLIED WITH MONITOR P/N 144677-06-000 74J ONLY.
- 2 1A5 OR 1H4 END STANDARD CABLE BEHIND REAR CAP (SHT 2) ON UNITS WITHOUT MONITOR & COIL UNDER DASH POD BEHIND MONITOR POCKET.
- 1 RUN CABLE THRU LEFT HAND COVE TO FRONT OF UNIT AND DOWN LEFT A-PILLAR TO MONITOR

- 8 CONNECT CAMERA THRU HOLE IN SIDEWALL, PUSH CONNECTOR BACK THRU SIDEWALL AND SEAL.
- 7 ROUTE CABLE TO EXTERIOR THRU HOLE IN PANEL ALONG WITH WIRE ASM-IP,MAIN TO RIGHT CAMERA.
- 6 MARK LEFT CABLE WITH YELLOW TAPE 900000-07-000 NEXT TO CONNECTOR.
- 5 MARK RIGHT CABLE WITH WHITE TAPE 900000-08-000 NEXT TO CONNECTOR.

**WINNEBAGO** COPYRIGHT 2004 WINNEBAGO INDUSTRIES, INC.

DFTN	ORIG. DATE
CHKR	ALL DIMENSIONS ARE IN MILLIMETERS
P.E.	
M.E.	FIRST USED
DSNR	06 P-SERIES

UNSPECIFIED TOLERANCES ARE: MATERIAL:

WHOLE DIM (X) :  
ONE-PLACE (X.X) :  
TWO-PLACE (X.XX) :  
ANGLE :

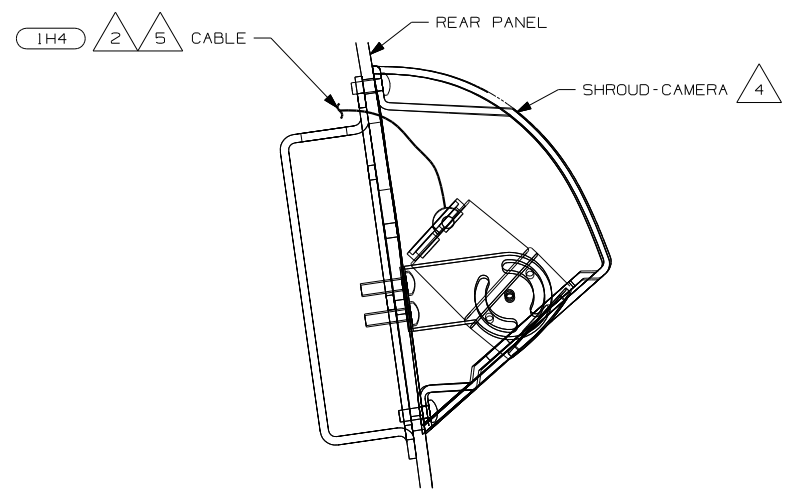
THIRD ANGLE PROJECTION

DO NOT SCALE DRAWING

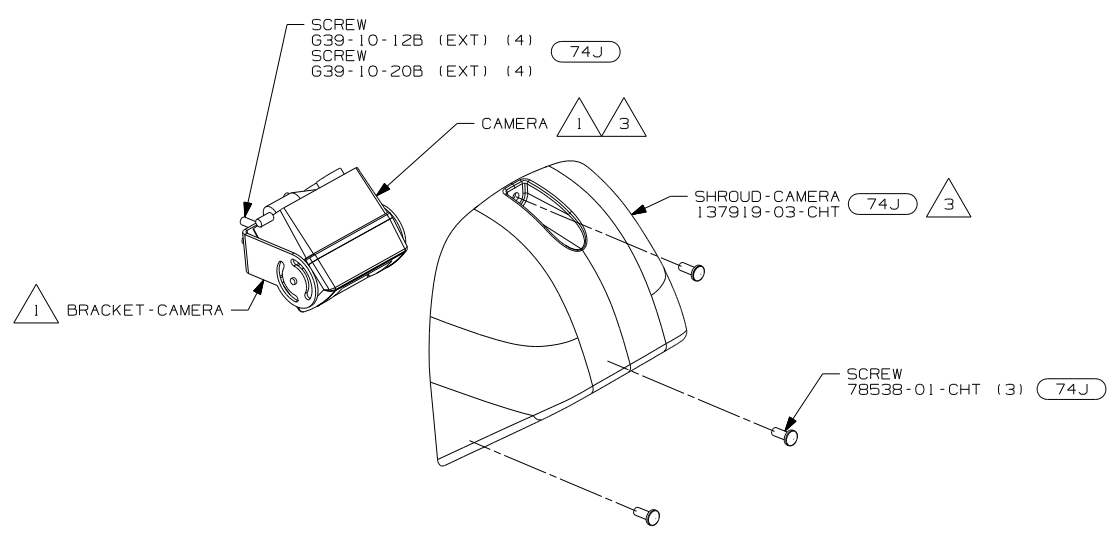
TITLE: MONITOR INSTL

SHEET 1 OF 2 PART NO 152128

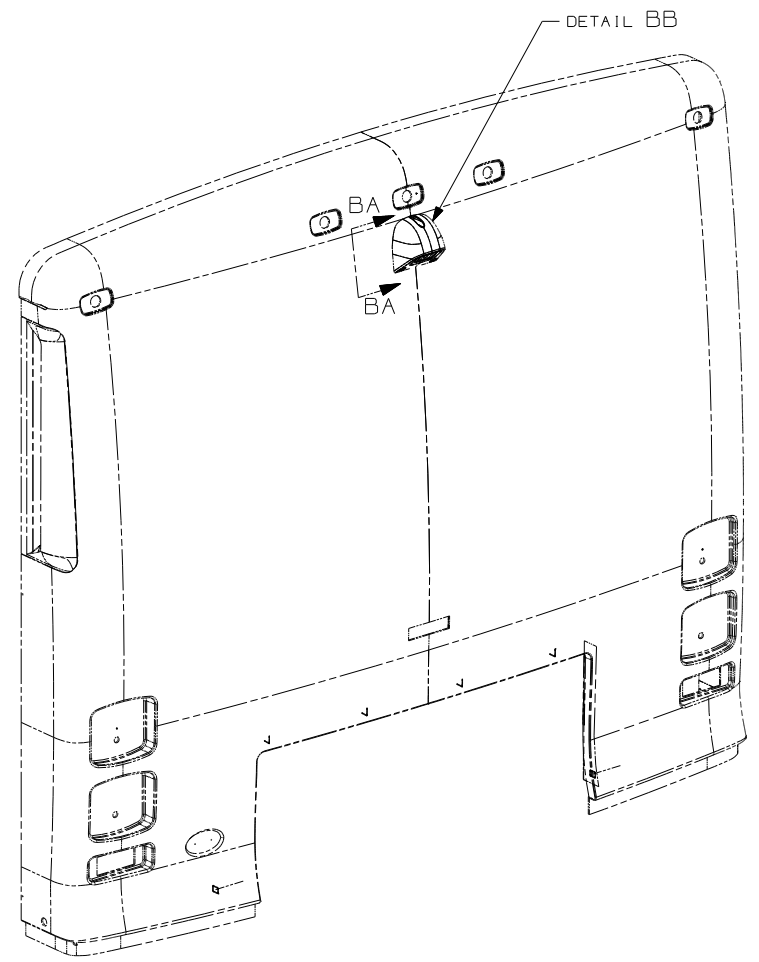
REF: 1 8/10/2005



SECTION BA-BA



DETAIL BB



- NOTES:
- 5 (1A5) OR (1H4) END STANDARD CABLE IN THIS AREA ON UNITS WITHOUT MONITOR.
  - 4 SEE PANEL-REAR CAP FOR LOCATION.
  - 3 ALIGN CAMERA IN CENTER OF SHROUD OPENING
  - 2 RUN CABLE THRU LEFT HAND COVE TO FRONT OF UNIT AND DOWN LEFT A-PILLAR TO MONITOR
  - 1 PARTS SUPPLIED WITH REAR CAMERA 144677-04-000. (74J)

- (74J) REAR VIEW MONITOR SYSTEM
- (1H4) REAR VIEW MONITOR-WIRE PREP
- (1A5) REARVIEW MONITOR SYSTEM W/O

FIRST USED	06 P-SERIES
TITLE	DO NOT SCALE DRAWING
SHEET 2	PART NO 152128
	1 8/10/2005