



DANGER

Danger of electrical shock, burns or death. Always remove all power sources before attempting any repair, service or diagnostic work. Power can be present from shore power, generator, inverter or battery. All power sources must be disabled and secured before performing any service.



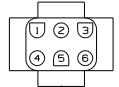
CAUTION

If you lack the skills, tools or equipment to perform diagnostic or repair work leave such work to an authorized Winnebago Industries dealer or other qualified shop.

EU 16 WHT
 FM 14 WHT MS 14 WHT
 PA 14 WHT EED 12 WHT
 MP-1 18 WHT WE 14 WHT
 UK 16 WHT JN 14 WHT



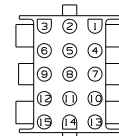
CONNECTS TO
 WIRE ASM SIDEWALL
 (SHT 5, B-8)
 LOCATED UNDER
 REFRIGERATOR



1-JG 14 YEL
 2-JN 14 WHT
 3-MM 14 YEL
 4-MS 14 WHT
 5-
 6-

JG MM JN MS

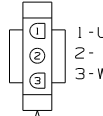
CONNECTS TO
 WIRE ASM
 ELECTRICAL BOX
 (SHT 4, C-4)
 LOCATED IN
 STEP BOX



1-
 2-
 3-ER 16 YEL
 4-
 5-LG 16 YEL
 6-FM 14 WHT
 7-LR 14 YEL
 8-HS 16 YEL
 9-WH 14 YEL
 10-KE 14 YEL
 11-LH 16 YEL
 12-
 13-LJ 16 YEL
 14-FFD 12 YEL
 15-KA 12 YEL

LH LJ LG KE LR HS WH KA FFD ER FM

LP DETECTOR 4



1-UK 16 WHT
 2-
 3-WB 16 YEL

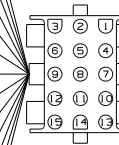
UK WB



ET 16 YEL
 EU 16 WHT

EU ET

CONNECTS TO
 WIRE ASM-COACH
 (SHT 2, A-18)
 LOCATED BELOW
 GALLEY CABTS

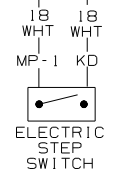
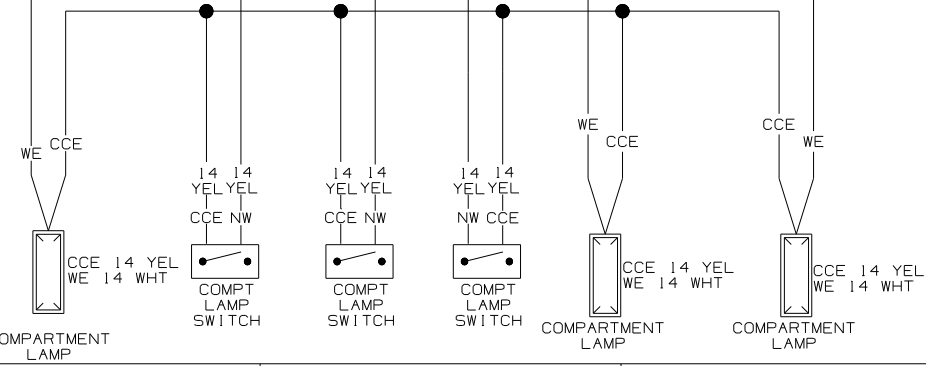


1-BBM 16 YEL
 2-BBN 16 YEL
 3-DDA 16 YEL
 4-CCY 16 YEL
 5-KKK 16 YEL
 6-
 7-
 8-PPM 14 YEL
 9-AAT 16 WHT
 10-AAU 16 WHT
 11-ER 16 YEL
 12-ES 16 YEL
 13-ET 16 YEL
 14-WB 16 YEL
 15-WH 14 YEL

WIRING DIAGRAM-CHASSIS
 (WIRE ASM-154547 REV E)

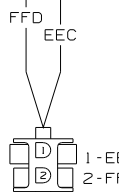
WINNEBAGO		COPYRIGHT 2004 WINNEBAGO INDUSTRIES, INC.	
DFTR	ORIG. DATE	ALL DIMENSIONS ARE IN MILLIMETERS	
CHNR		M.E.	
P.E.		FIRST USED	
M.E.		06 G38T	
DSNR		UNSPECIFIED TOLERANCES ARE:	
		MATERIAL:	
		HOLE DIM (X):	
		ONE-PLACE (X, X1):	
		TWO-PLACE (X, XX1):	
		ANGLE:	
THIRD ANGLE PROJECTION			
DO NOT SCALE DRAWING			
TITLE: WIRING DIAGRAM-BODY, 12V			
SHEET 1 of 7		PART NO 154449	

JG
 NW
 LH
 LJ
 LG
 GNDS
 KE
 LR
 MM
 HS
 PPM
 BBM
 BBN
 DDA
 CCY
 KKK



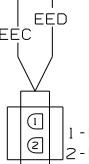
A-KA 12 YEL
 B-WH 14 YEL
 C-KD 18 WHT
 D-ES 16 YEL

CONNECTS TO
 WIRE ASM-COACH
 (SHT 2, A-12)
 LOCATED BELOW
 GALLEY CABINET

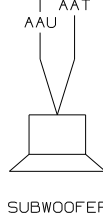


1-EEC 12 YEL
 2-FFD 12 YEL

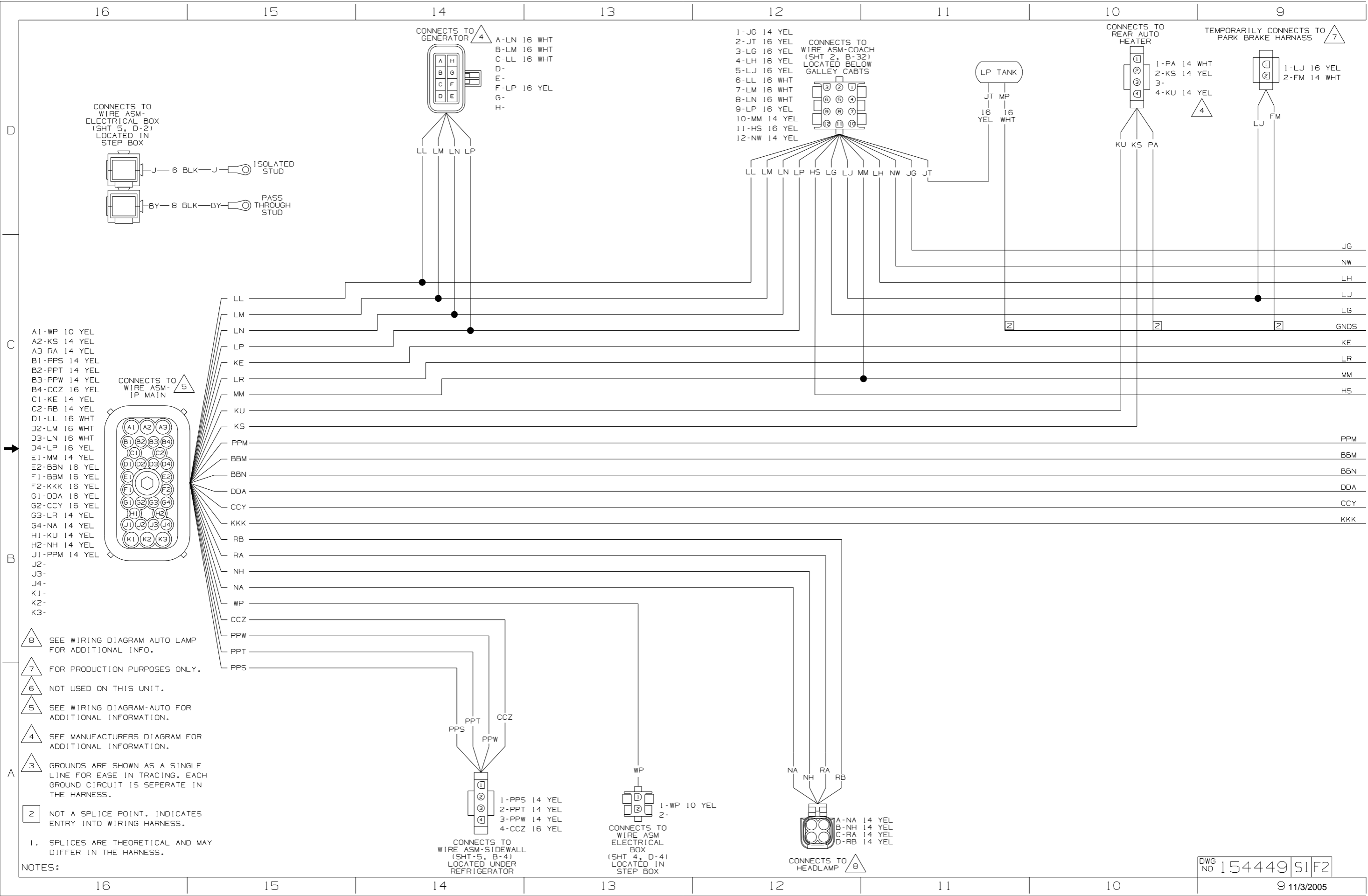
CONNECTS TO
 WIRE ASM-
 SIDEWALL
 (SHT-5, B-6)
 LOCATED UNDER
 REFRIGERATOR

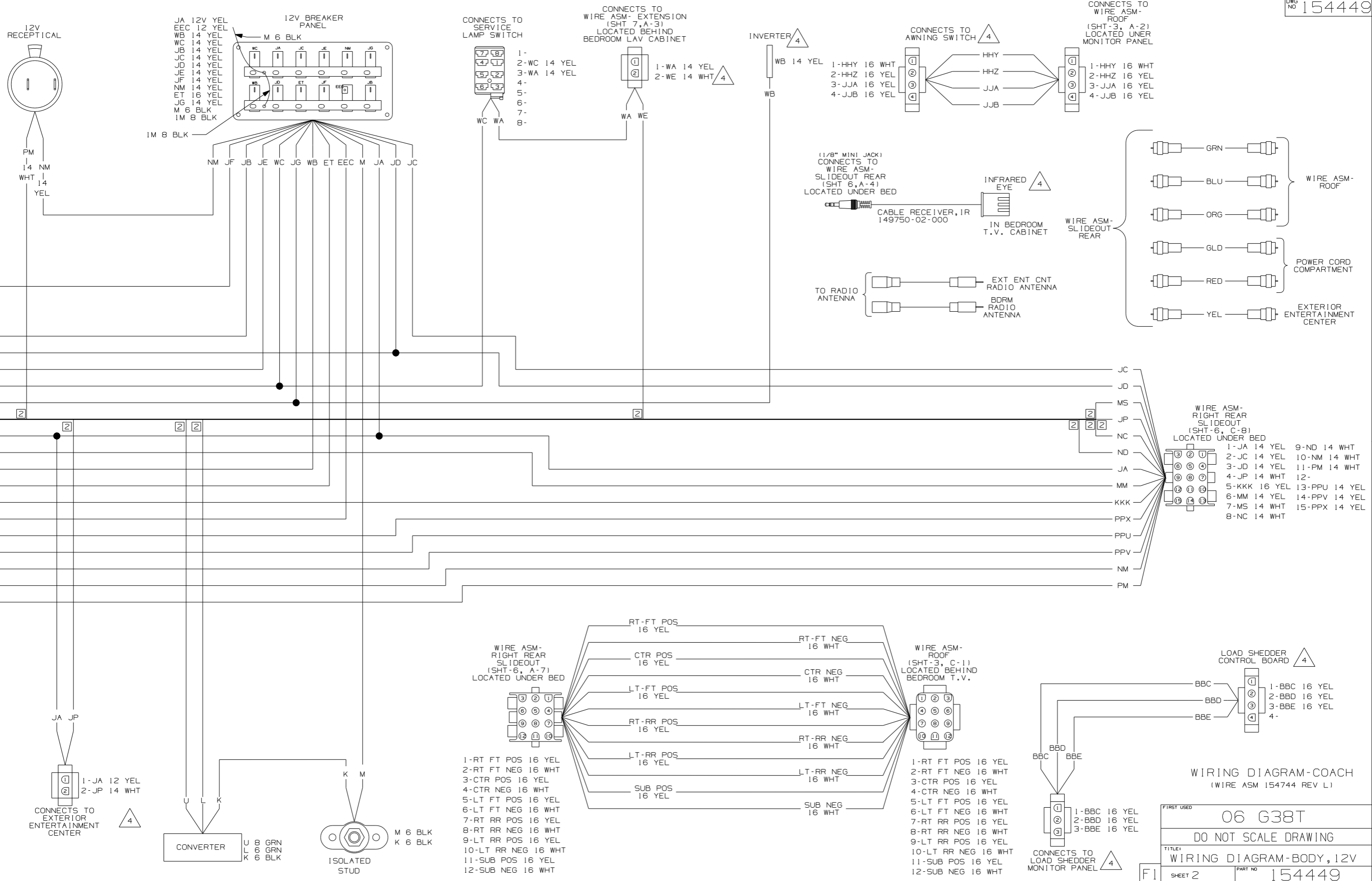


1-EEC 12 YEL
 2-EED 12 WHT



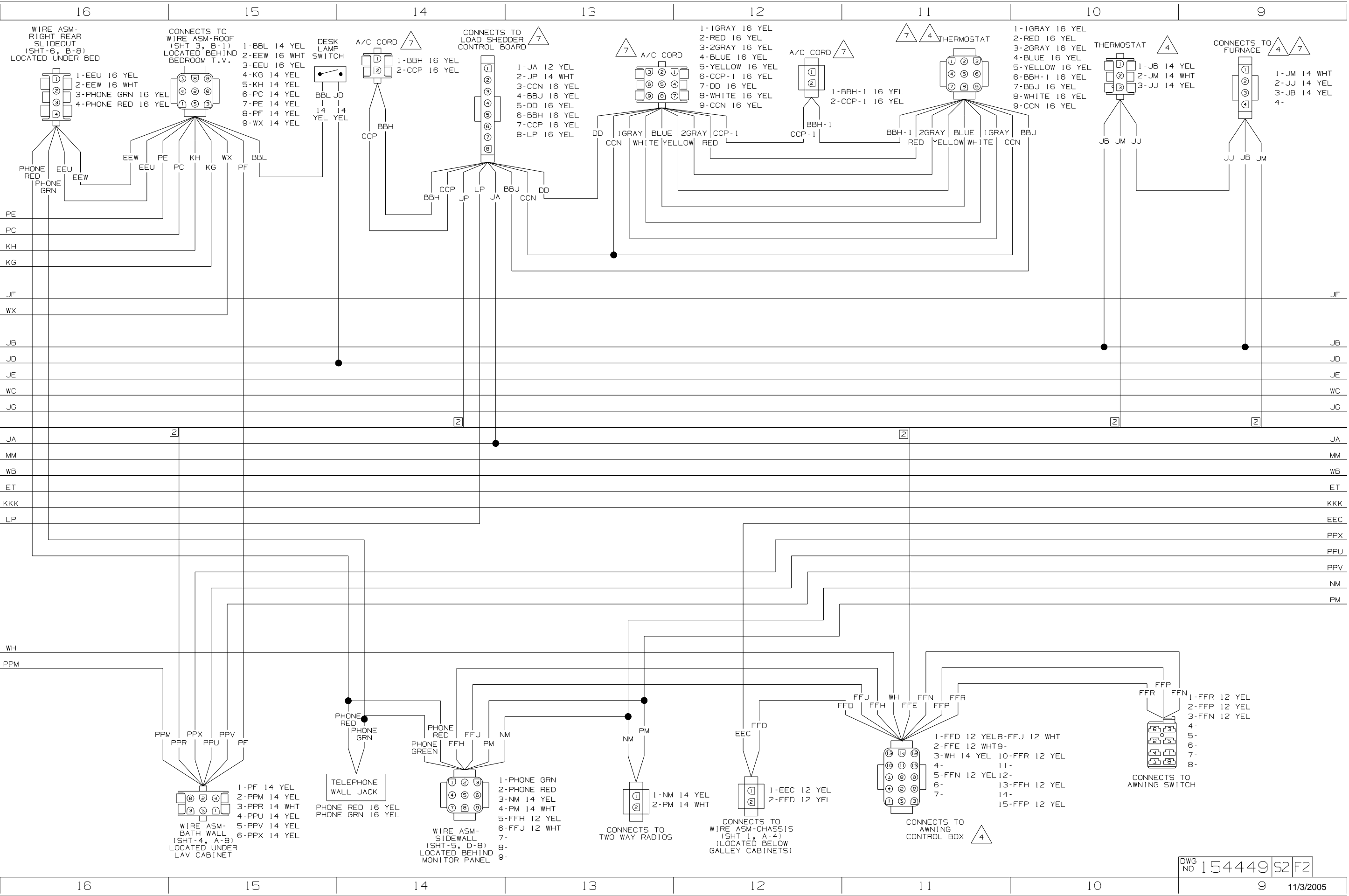
AAT 16 YEL
 AAU 16 WHT

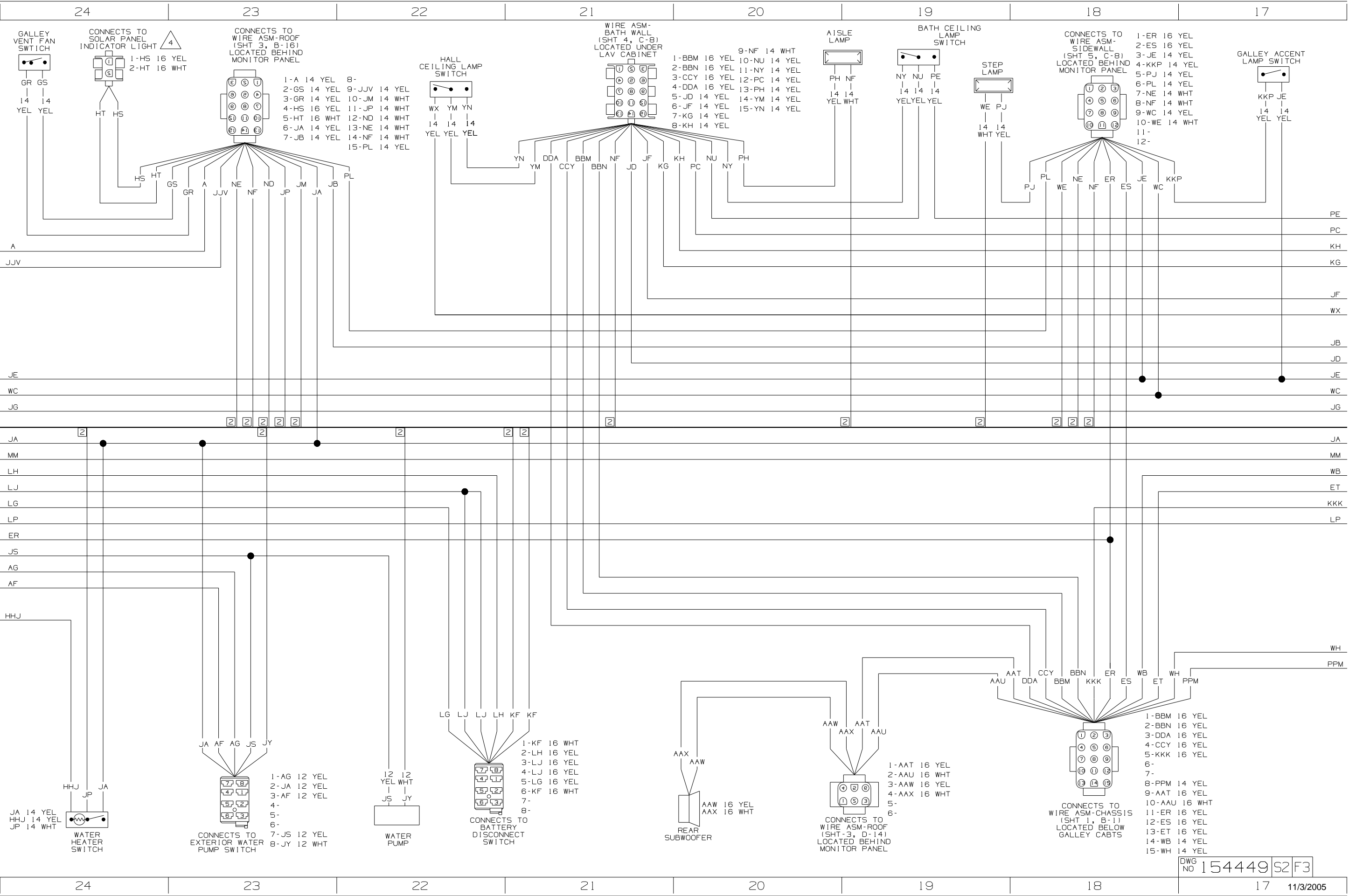


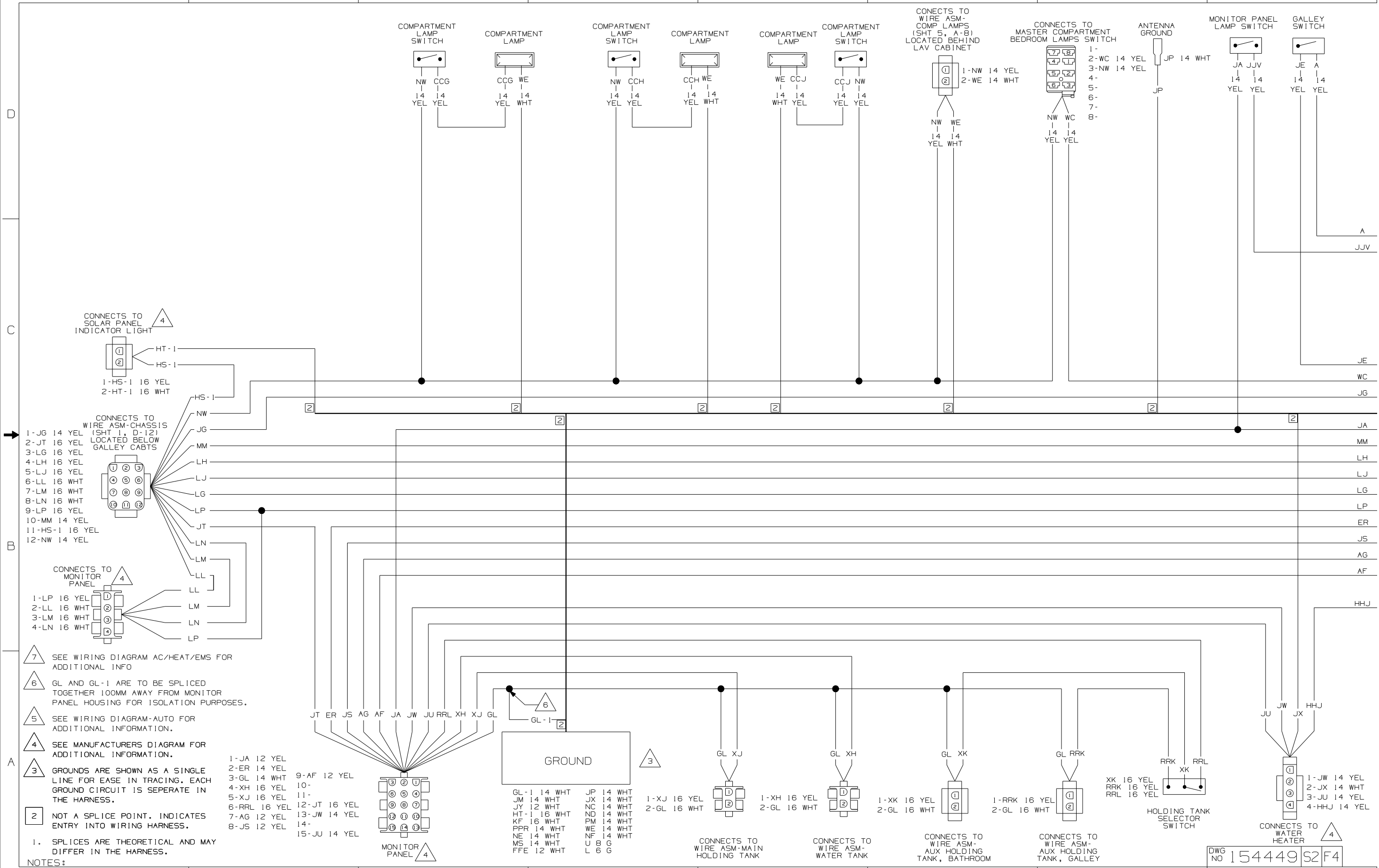


WIRING DIAGRAM-COACH (WIRE ASM 154744 REV L)

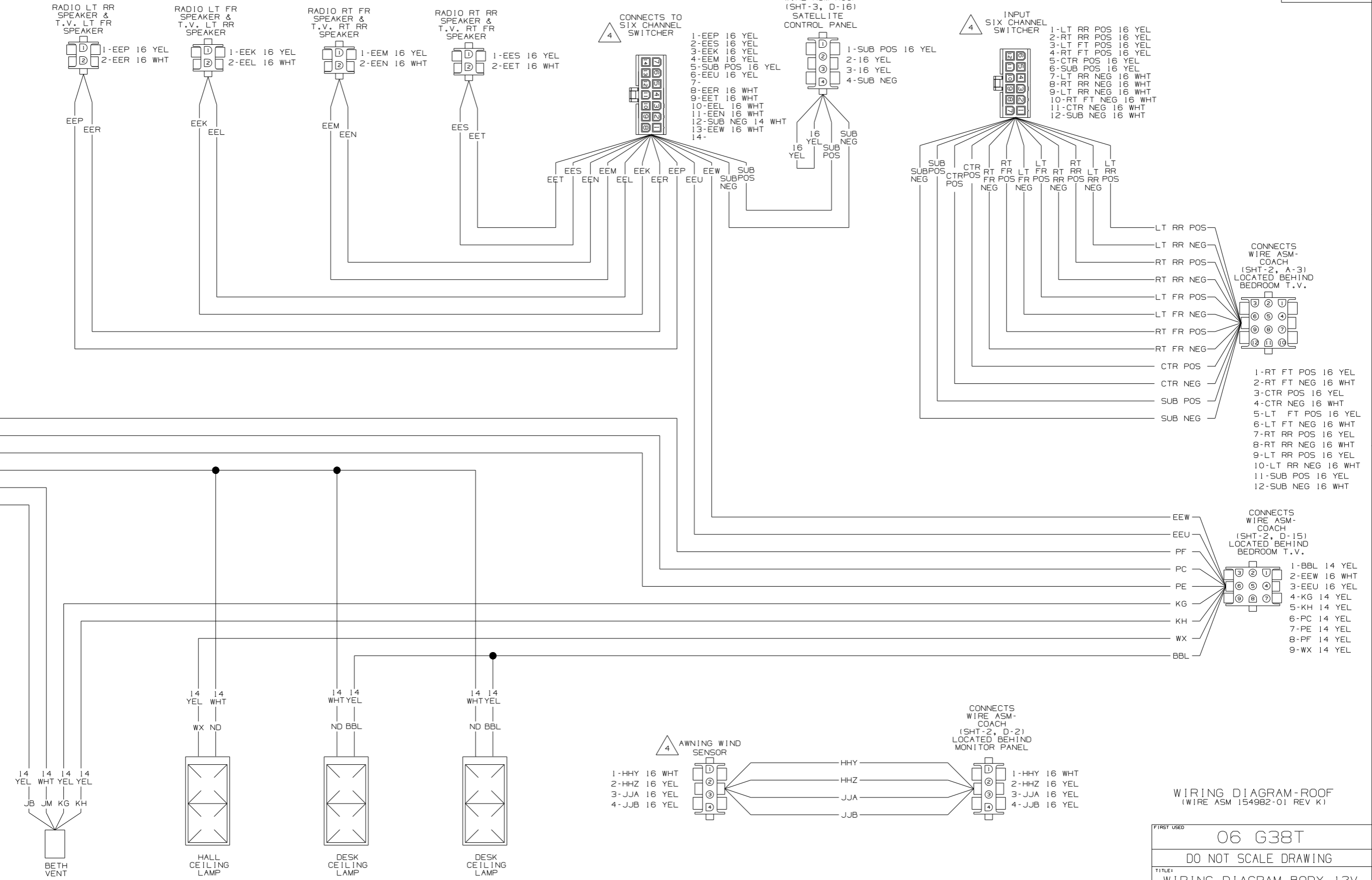
FIRST USED	06 G38T
DO NOT SCALE DRAWING	
TITLE	WIRING DIAGRAM-BODY, 12V
SHEET 2	PART NO 154449





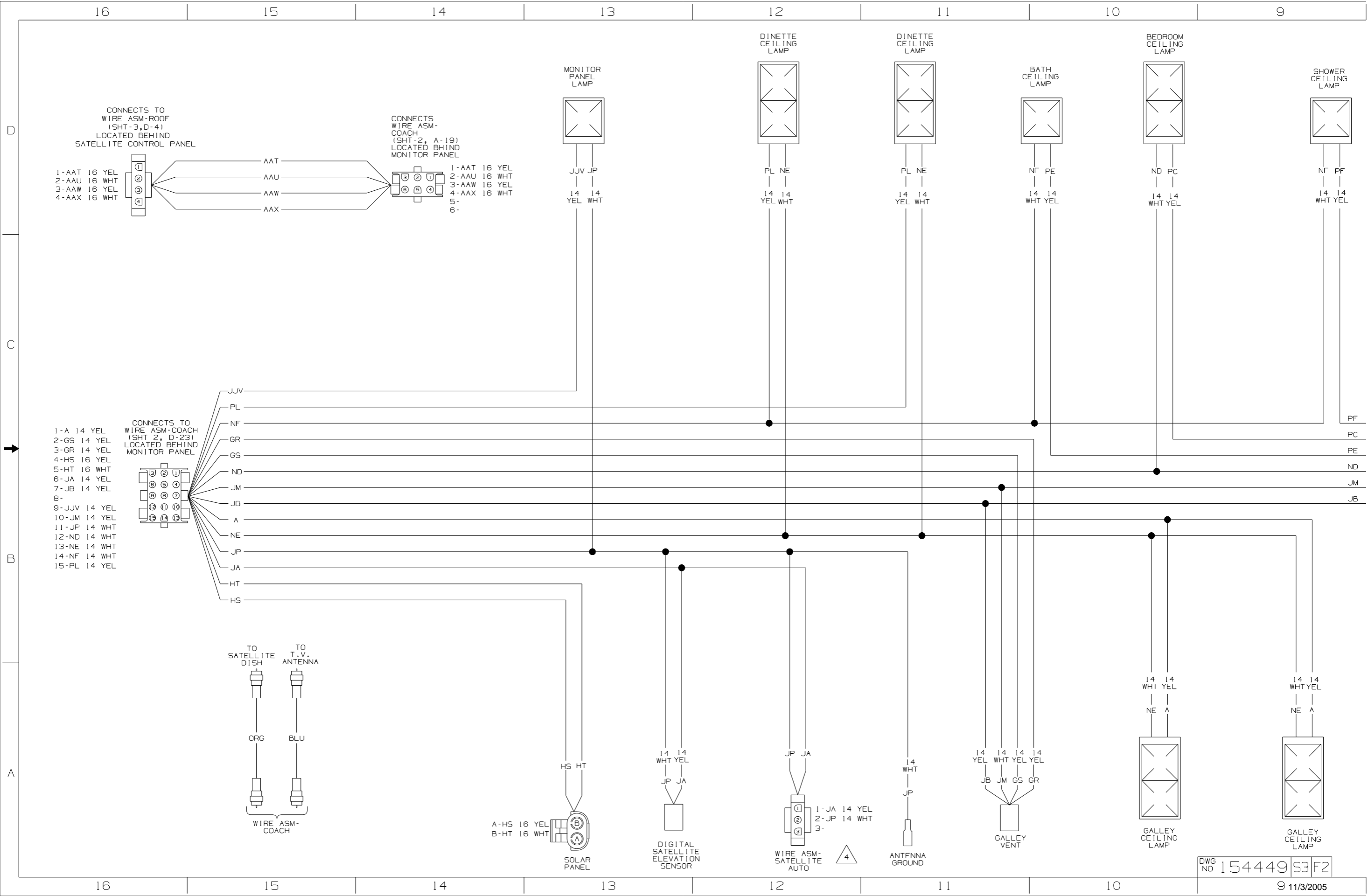


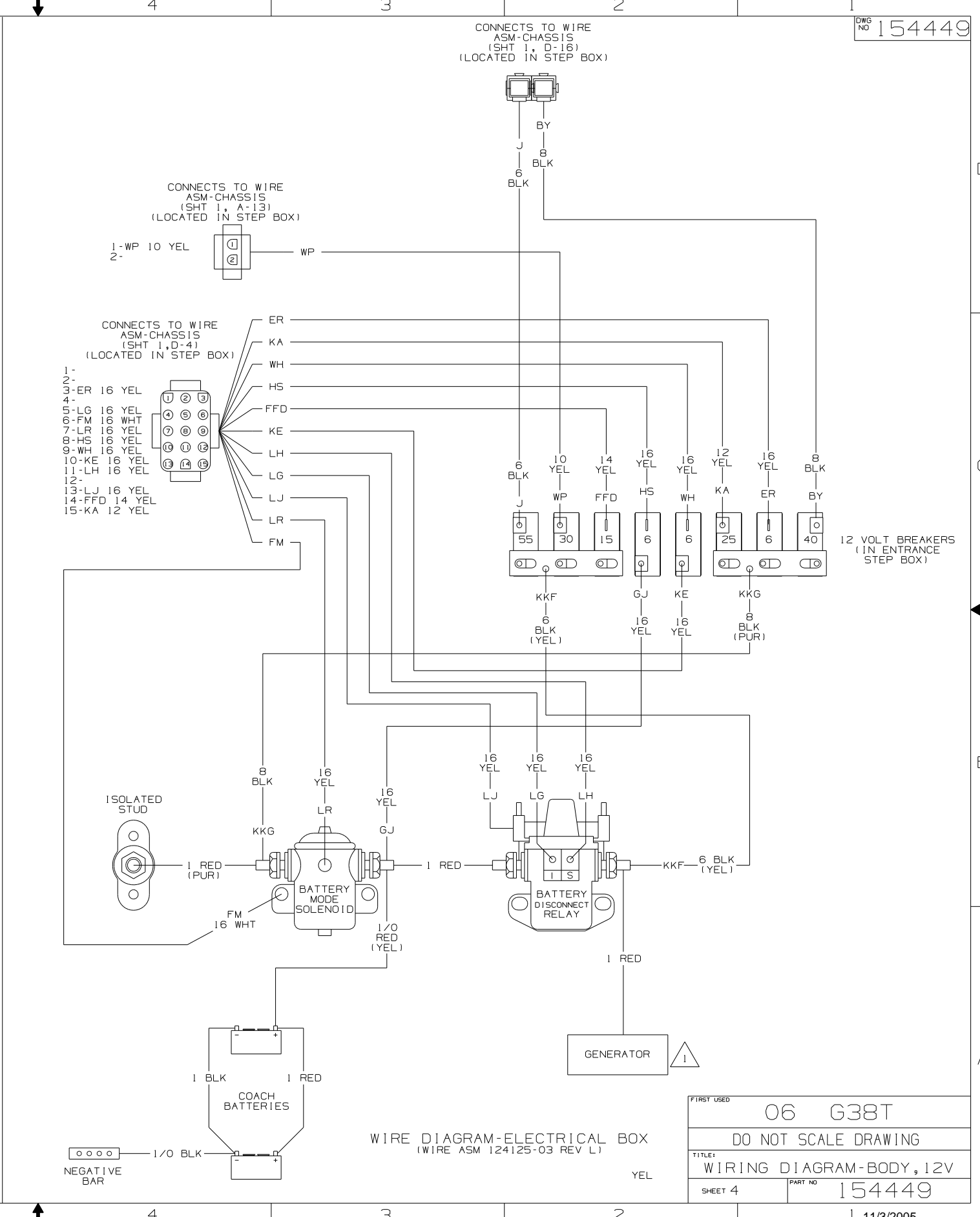
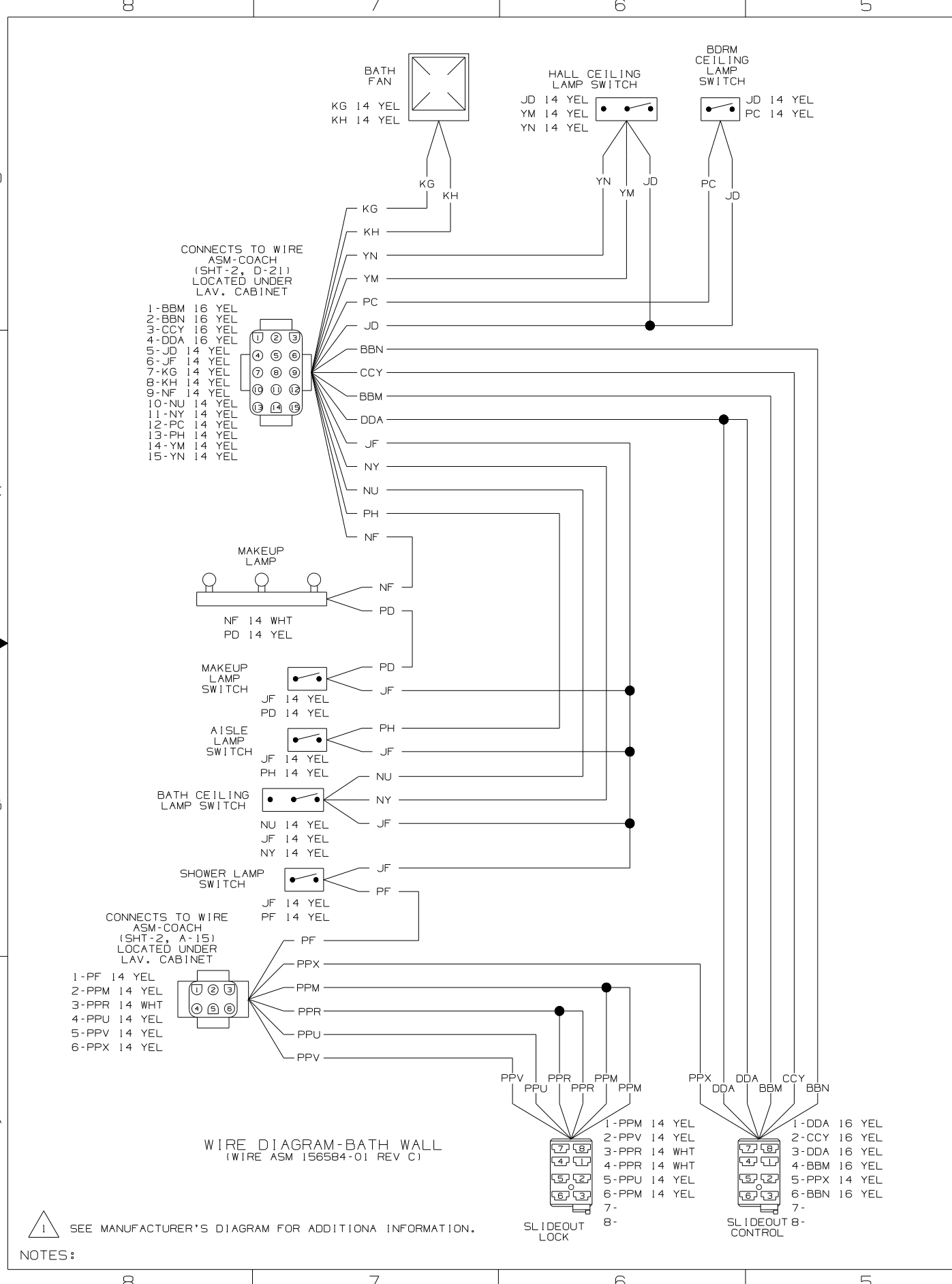
- 7 SEE WIRING DIAGRAM AC/HEAT/EMS FOR ADDITIONAL INFO
 - 6 GL AND GL-1 ARE TO BE SPLICED TOGETHER 100MM AWAY FROM MONITOR PANEL HOUSING FOR ISOLATION PURPOSES.
 - 5 SEE WIRING DIAGRAM-AUTO FOR ADDITIONAL INFORMATION.
 - 4 SEE MANUFACTURERS DIAGRAM FOR ADDITIONAL INFORMATION.
 - 3 GROUNDS ARE SHOWN AS A SINGLE LINE FOR EASE IN TRACING. EACH GROUND CIRCUIT IS SEPERATE IN THE HARNESS.
 - 2 NOT A SPLICE POINT. INDICATES ENTRY INTO WIRING HARNESS.
- NOTES:
1. SPLICES ARE THEORETICAL AND MAY DIFFER IN THE HARNESS.



WIRING DIAGRAM-ROOF (WIRE ASM 154982-01 REV K1)

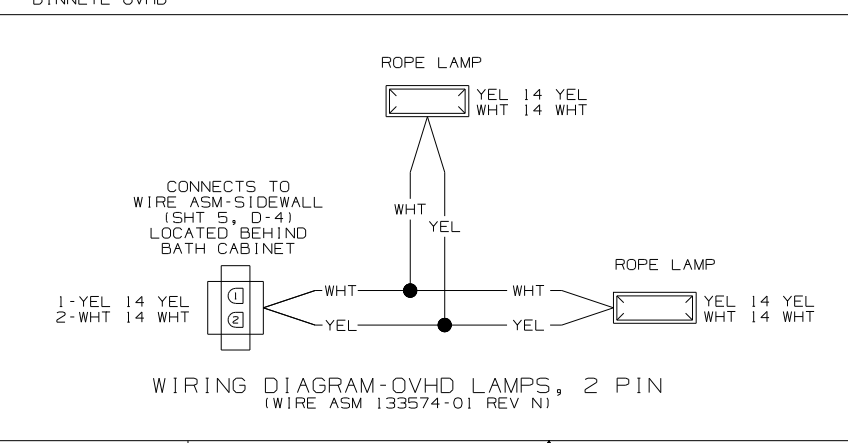
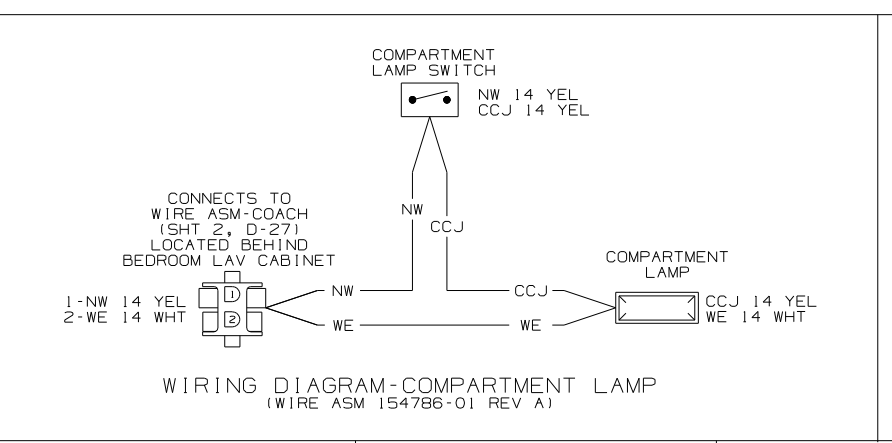
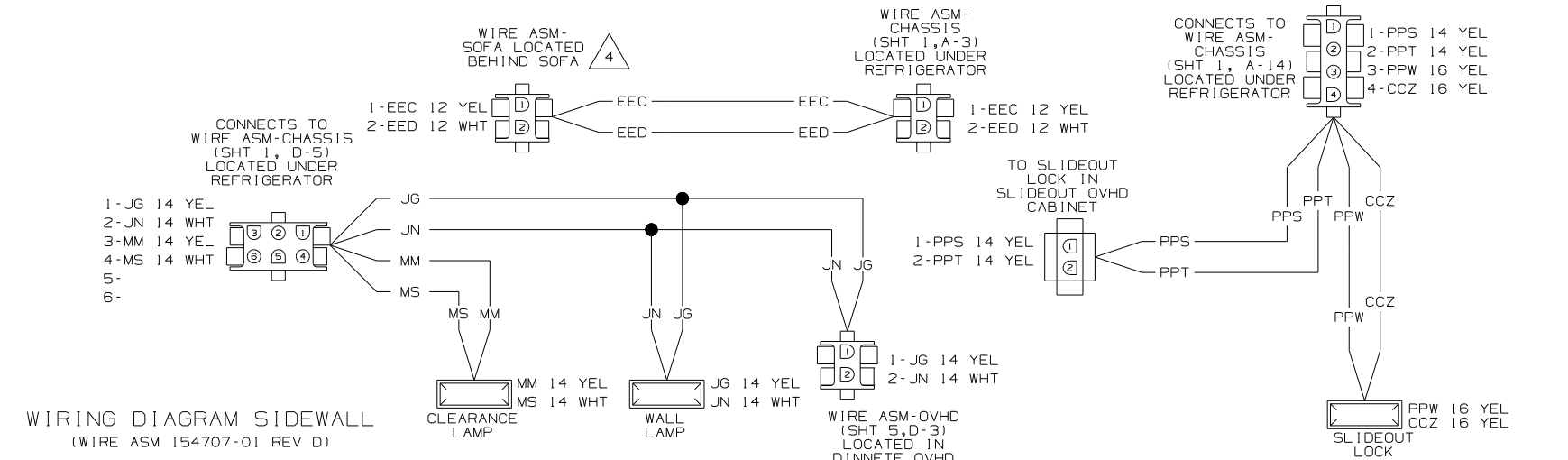
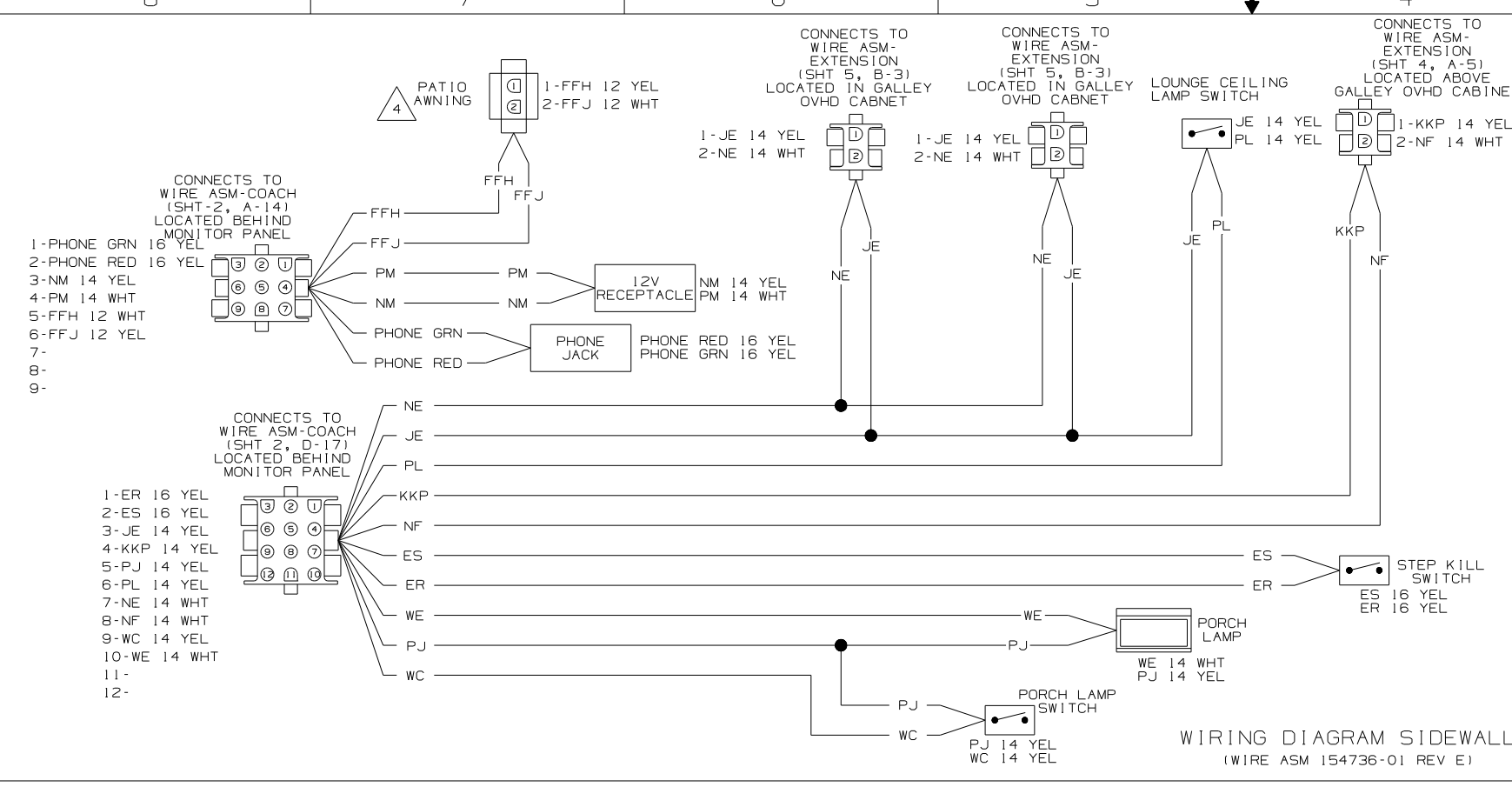
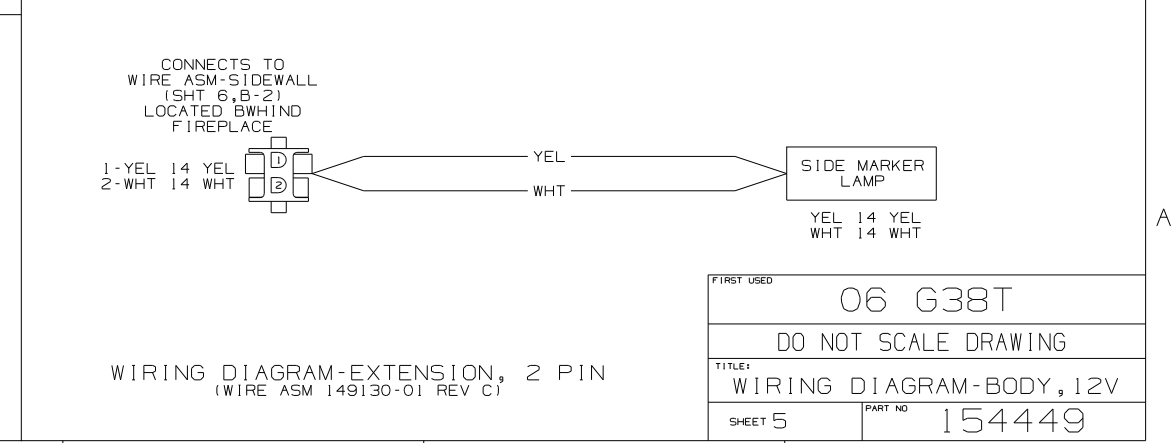
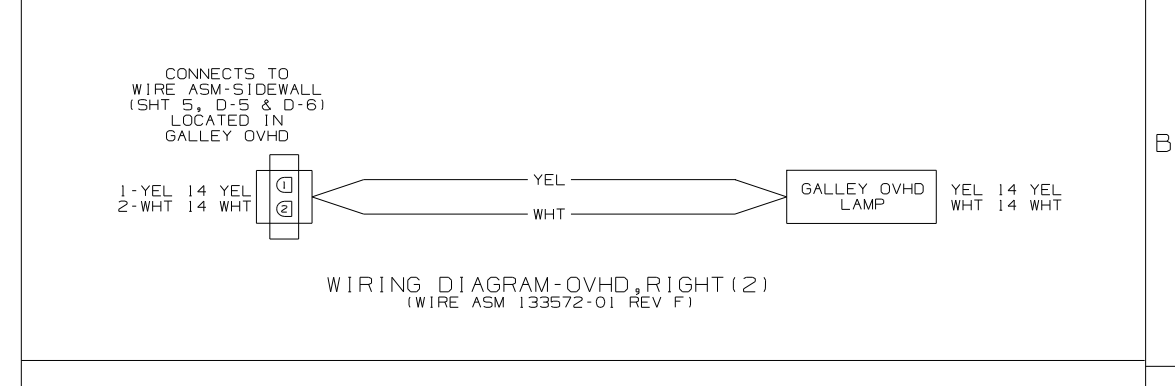
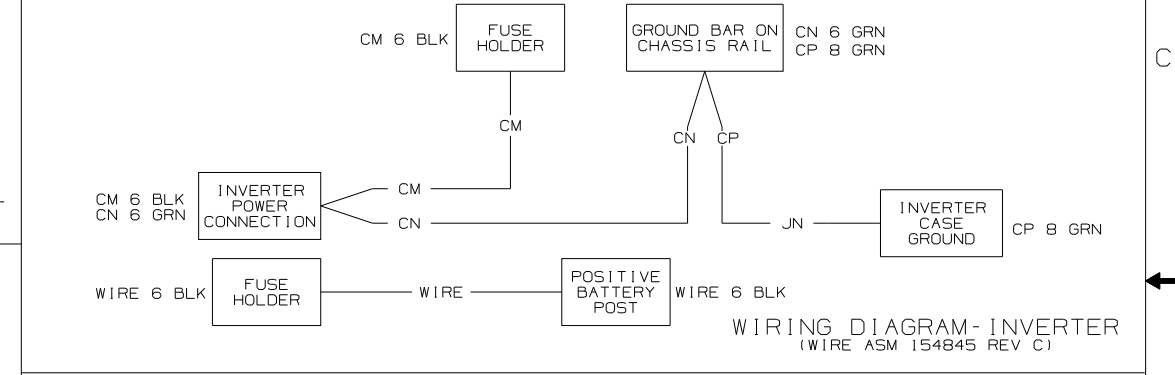
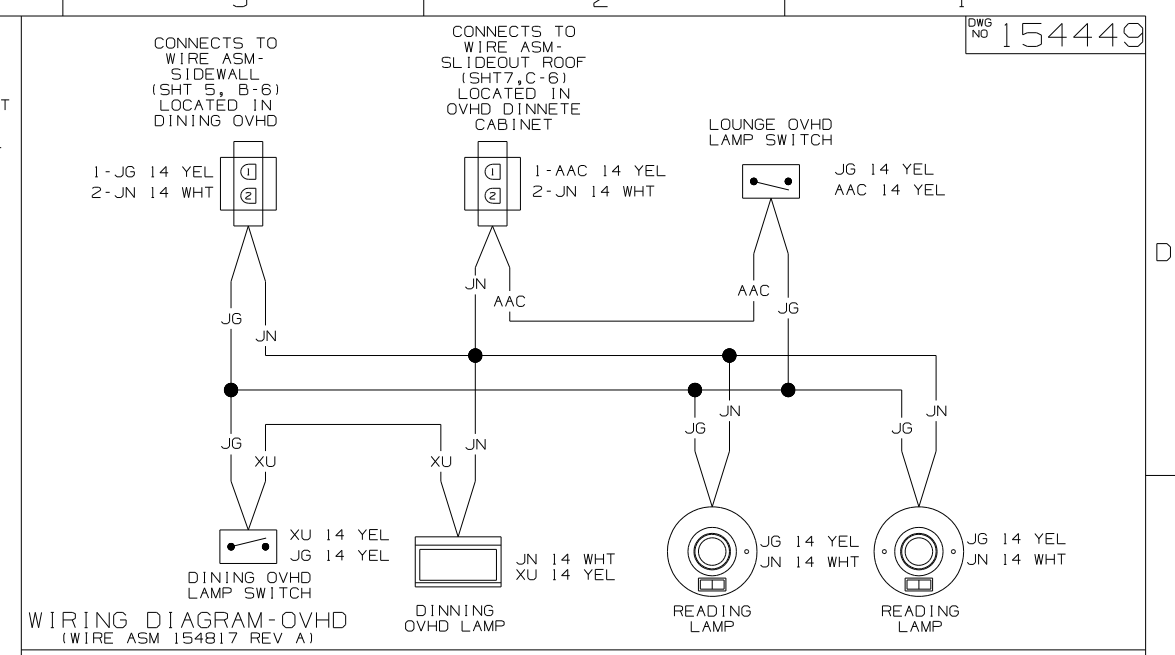
FIRST USED	06 G38T	
TITLE	DO NOT SCALE DRAWING	
	WIRING DIAGRAM-BODY, 12V	
SHEET 3	PART NO	154449



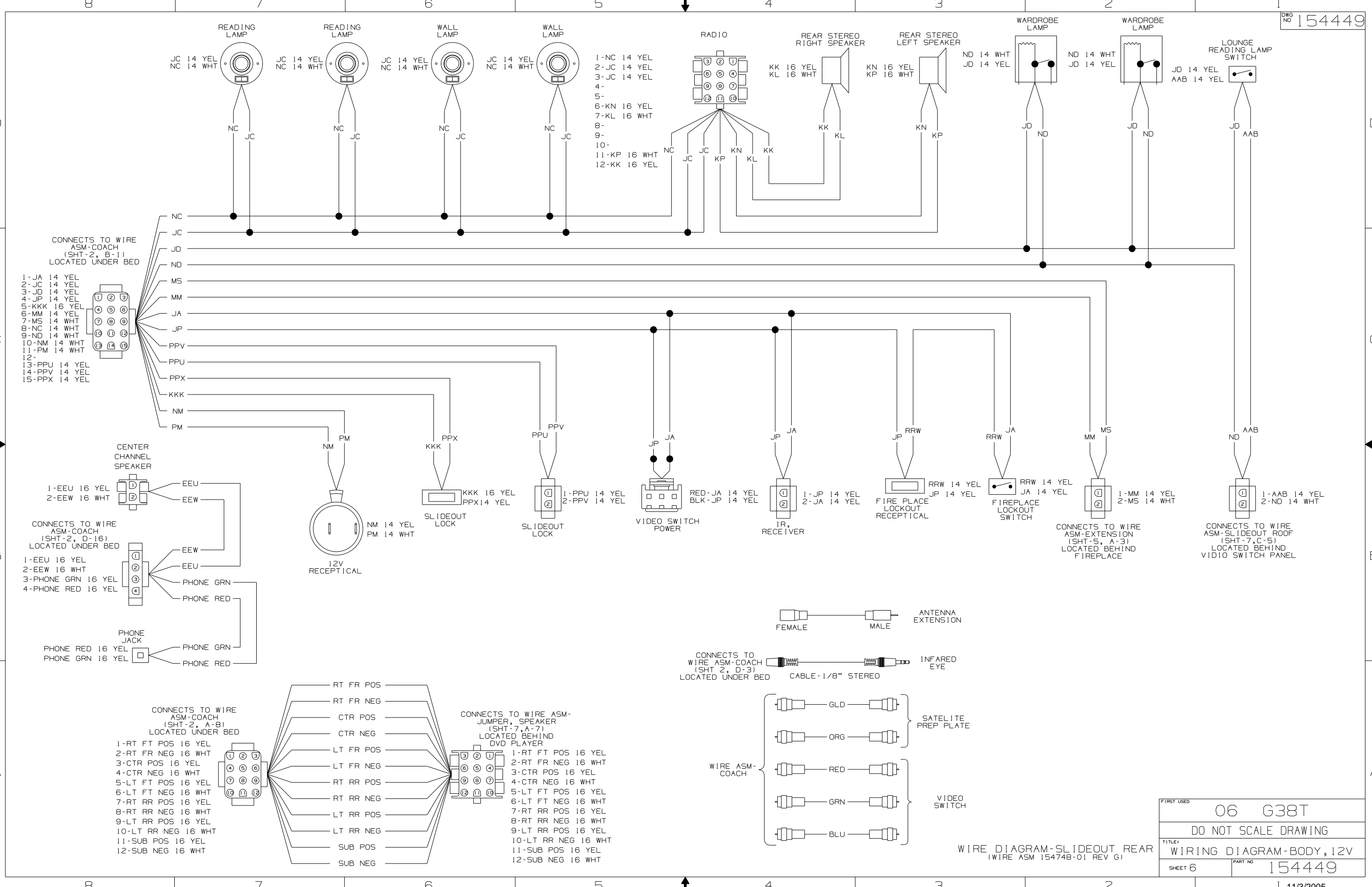


NOTES: SEE MANUFACTURER'S DIAGRAM FOR ADDITIONAL INFORMATION.

FIRST USED	06 G38T
TITLE	DO NOT SCALE DRAWING
WIRING DIAGRAM-BODY, 12V	
SHEET 4	PART NO 154449



FIRST USED	06 G38T	
TITLE	DO NOT SCALE DRAWING	
	WIRING DIAGRAM-BODY, 12V	
SHEET 5	PART NO	154449



- 1-NC 14 YEL
- 2-JC 14 YEL
- 3-JC 14 YEL
- 4-
- 5-
- 6-KN 16 YEL
- 7-KL 16 WHT
- 8-
- 9-
- 10-
- 11-KP 16 WHT
- 12-KK 16 YEL

- 1-JA 14 YEL
- 2-JC 14 YEL
- 3-JD 14 YEL
- 4-JP 14 YEL
- 5-KKK 16 YEL
- 6-MM 14 YEL
- 7-MS 14 WHT
- 8-NC 14 WHT
- 9-ND 14 WHT
- 10-NM 14 WHT
- 11-PM 14 WHT
- 12-
- 13-PPU 14 YEL
- 14-PPV 14 YEL
- 15-PPX 14 YEL

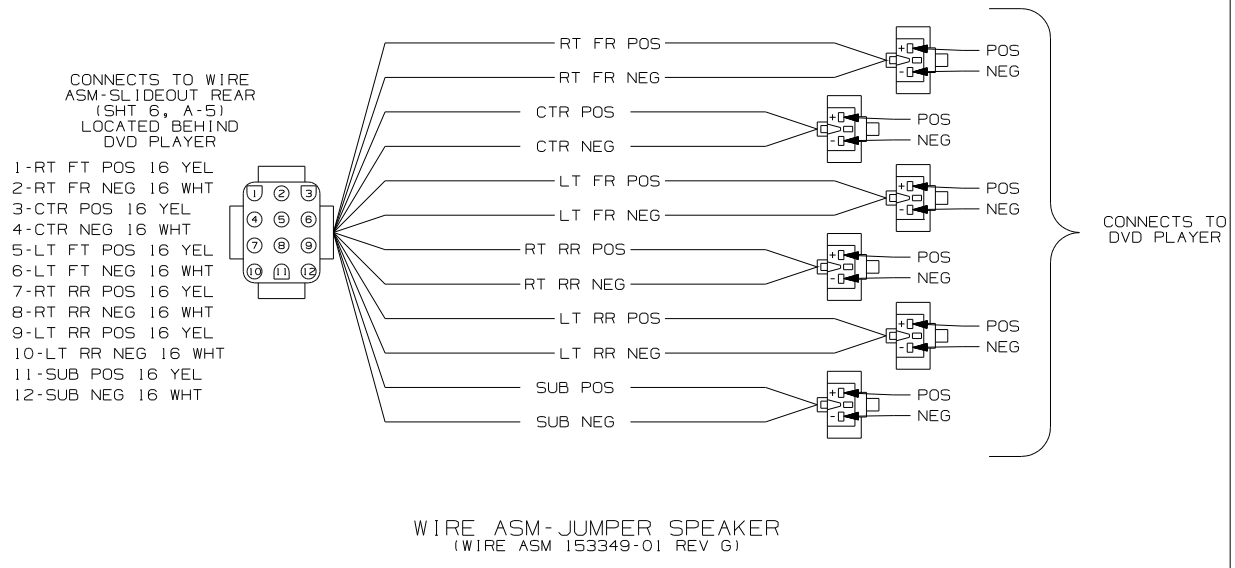
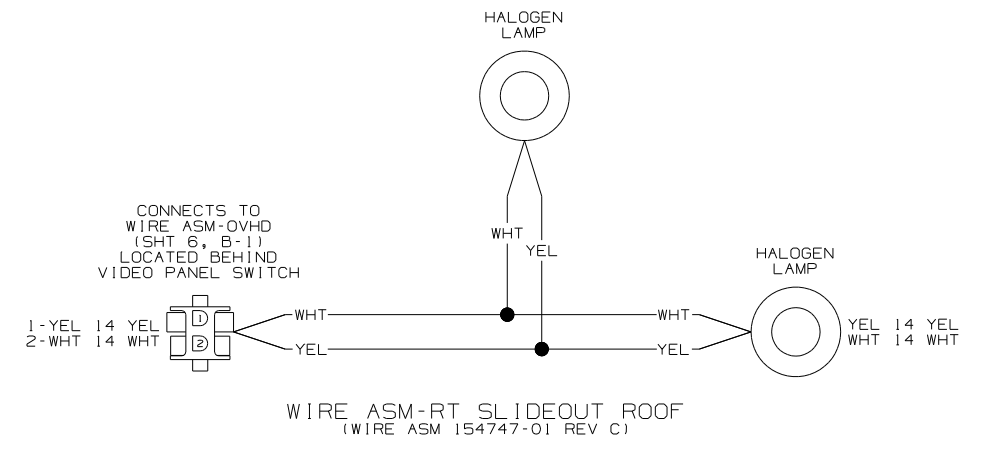
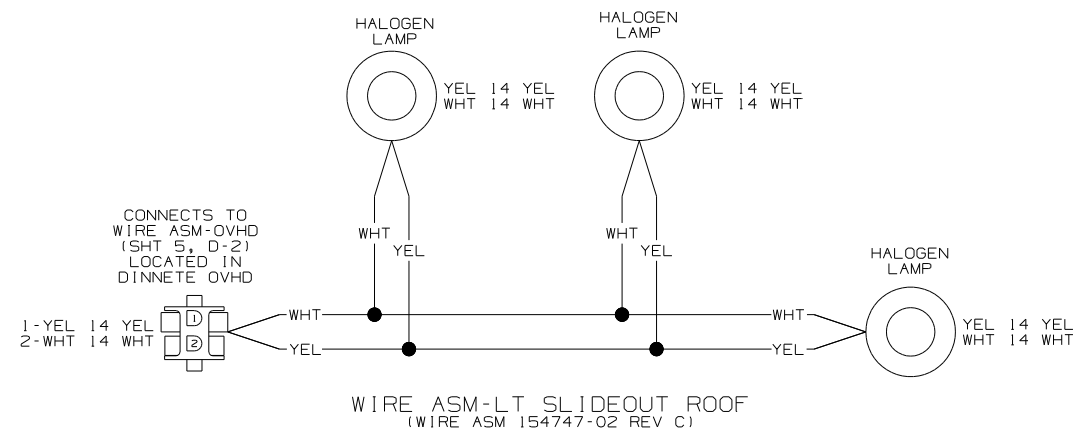
- 1-EEU 16 YEL
- 2-EEW 16 WHT
- 3-PHONE GRN 16 YEL
- 4-PHONE RED 16 YEL

- 1-RT FT POS 16 YEL
- 2-RT FR NEG 16 WHT
- 3-CTR POS 16 YEL
- 4-CTR NEG 16 WHT
- 5-LT FT POS 16 YEL
- 6-LT FT NEG 16 WHT
- 7-RT RR POS 16 YEL
- 8-RT RR NEG 16 WHT
- 9-LT RR POS 16 YEL
- 10-LT RR NEG 16 WHT
- 11-SUB POS 16 YEL
- 12-SUB NEG 16 WHT

- 1-RT FT POS 16 YEL
- 2-RT FR NEG 16 WHT
- 3-CTR POS 16 YEL
- 4-CTR NEG 16 WHT
- 5-LT FT POS 16 YEL
- 6-LT FT NEG 16 WHT
- 7-RT RR POS 16 YEL
- 8-RT RR NEG 16 WHT
- 9-LT RR POS 16 YEL
- 10-LT RR NEG 16 WHT
- 11-SUB POS 16 YEL
- 12-SUB NEG 16 WHT

FIRST USED	06 G38T
DO NOT SCALE DRAWING	
TITLE	WIRING DIAGRAM-BODY, 12V
SHEET 6	PART NO 154449

WIRE DIAGRAM-SLIDEOUT REAR
(WIRE ASM 154748-01 REV G)



FIRST USED	06 G38T
TITLE	DO NOT SCALE DRAWING
	WIRING DIAGRAM-BODY, 12V
SHEET 7	PART NO 154449