



DANGER

Danger of electrical shock, burns or death. Always remove all power sources before attempting any repair, service or diagnostic work. Power can be present from shore power, generator, inverter or battery. All power sources must be disabled and secured before performing any service.

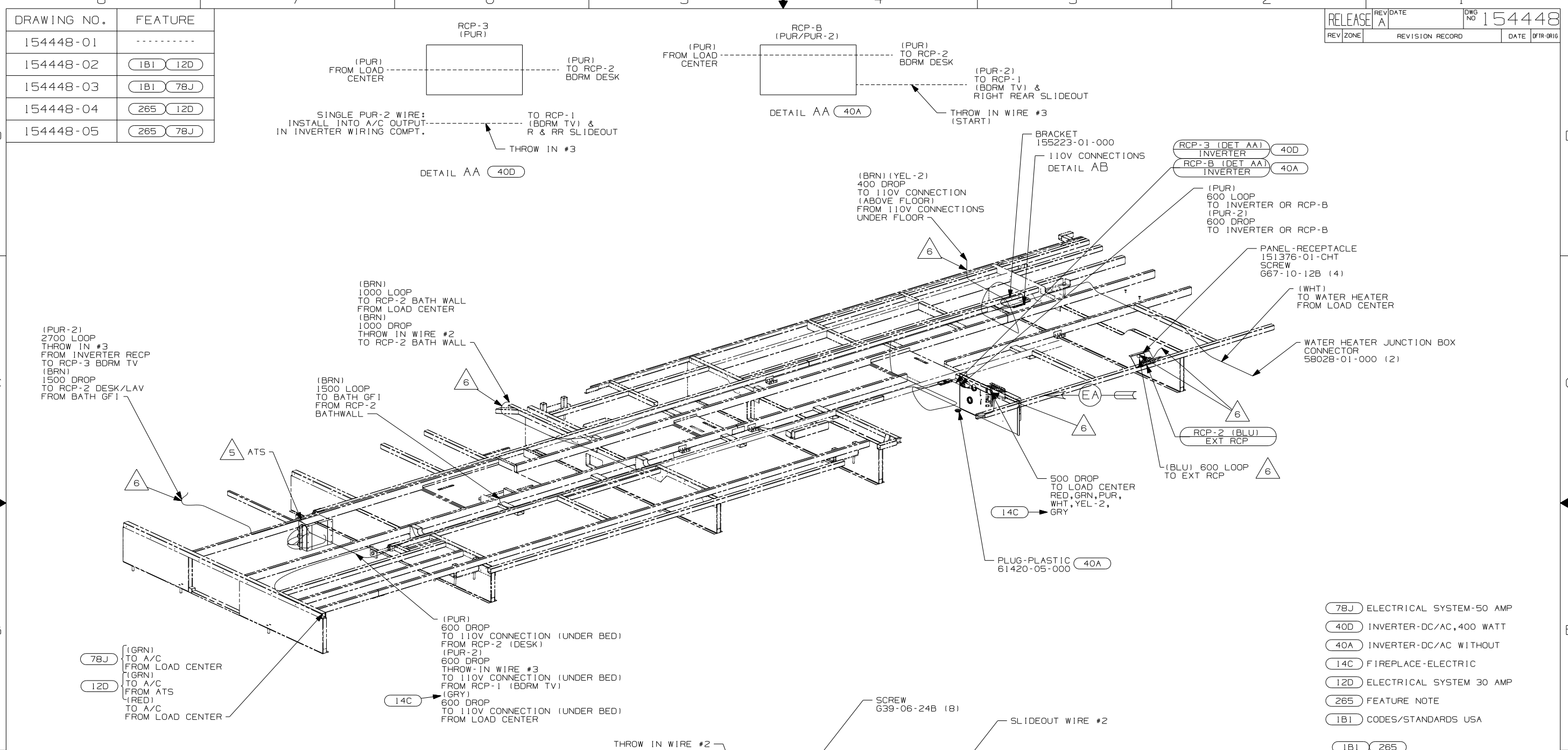


CAUTION

If you lack the skills, tools or equipment to perform diagnostic or repair work leave such work to an authorized Winnebago Industries dealer or other qualified shop.

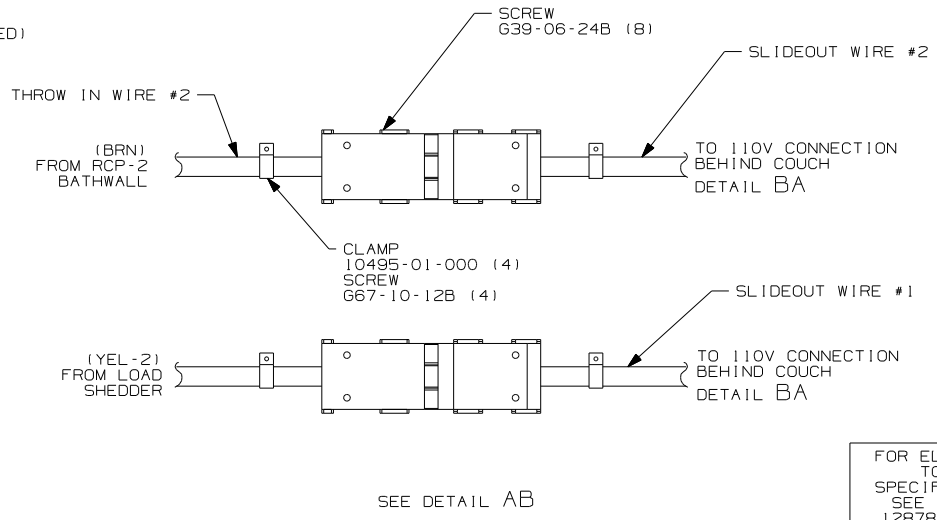
DRAWING NO.	FEATURE
154448-01	-----
154448-02	(1B1) (12D)
154448-03	(1B1) (78J)
154448-04	(265) (12D)
154448-05	(265) (78J)

RELEASE	REV/DATE	DWG NO
A		154448
REV ZONE	REVISION RECORD	DATE DFR-0R16



- (78J) ELECTRICAL SYSTEM-50 AMP
- (40D) INVERTER-DC/AC, 400 WATT
- (40A) INVERTER-DC/AC WITHOUT
- (14C) FIREPLACE-ELECTRIC
- (12D) ELECTRICAL SYSTEM 30 AMP
- (265) FEATURE NOTE
- (1B1) CODES/STANDARDS USA

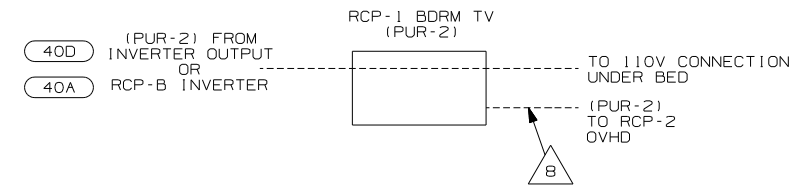
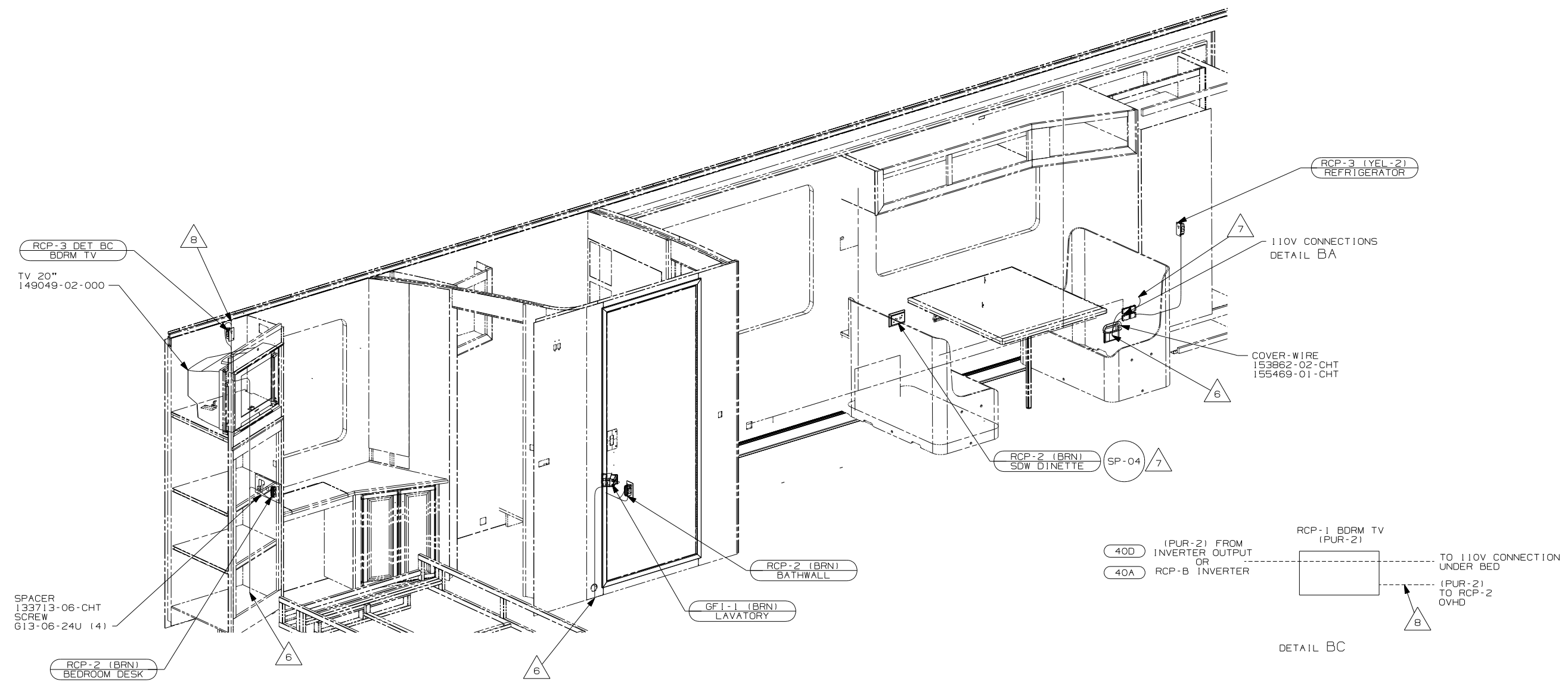
- 7 MOUNT 4X4 BOX ON CLOSEOUT PANEL OVER HOLE.
 6 WIRE PASSES THROUGH FLOOR AT THIS POINT.
 5 FOR ADDITIONAL INFORMATION SEE LOAD CENTER/ATS ASM.
 4. FOR ADDITIONAL INFORMATION SEE WIRING DIAGRAM-BODY 110V.
 3. ALL GROUND WIRE TO BE COVERED WITH TUBING 8041-012-000.
 2. ALL 110V WIRES TO BE CLAMPED WITH CLAMP 10497-05-000 WITHIN 200MM OF OUTLET BOXES, USE SCREW 667-10-12B.
 1. ALL WIRES TO BE SECURED WITH CLAMP 10495 OR 10497 OR WIRE TIE 8343 OR 108046 EVERY 600mm, USE SCREW 667-XX-XXX OR 656-XX-XXX AS APPROPRIATE FOR INSTALLATION.



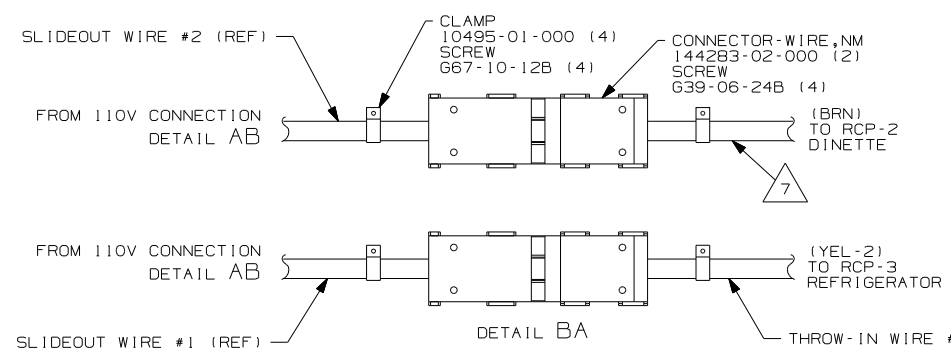
FOR ELECTRICAL TORQUE SPECIFICATIONS SEE DWG NO. 128783-01-000

FOR ELECTRICAL CALLOUTS SEE DWG NO. 121339-01-000

(1B1) (265)
WINNEBAGO COPYRIGHT 2006 WINNEBAGO INDUSTRIES, INC.
 DFR ORG. DATE
 CHKR ALL DIMENSIONS ARE IN MILLIMETERS
 P.E.
 M.E. FIRST USED
 DSNR 06 G38T
 UNSPECIFIED TOLERANCES ARE: MATERIAL:
 HOLE DIM (X) : 3
 ONE-PLACE (X.X) : 1.5
 TWO-PLACE (X.XX) : 0.50
 ANGLE : 1°
 THIRD ANGLE PROJECTION
DO NOT SCALE DRAWING
 TITLE: WIRING INSTL-BODY, 110V
 SHEET 1 OF 5 PART NO 154448 REV
 REF: 1 6/16/2006



- 9 DIMENSIONS ARE TO TOP OF MOUNTING SCREW ON BACK PLATE.
- 8 WIRE IN ROOF
- 7 WIRE IN SIDEWALL.
- 6 WIRE PASSES THROUGH FLOOR AT THIS POINT.
- 5 FOR ADDITIONAL INFORMATION SEE LOAD CENTER/ATS ASM.
- 4. FOR ADDITIONAL INFORMATION SEE WIRING DIAGRAM-BODY 110V.
- 3. ALL GROUND WIRE TO BE COVERED WITH TUBING 8041-012-000.
- 2. ALL 110V WIRES TO BE CLAMPED WITH CLAMP 10497-05-000 WITHIN 200MM OF OUTLET BOXES, USE SCREW G67-10-12B.
- 1. ALL WIRES TO BE SECURED WITH CLAMP 10495 OR 10497 OR WIRE TIE 8343 OR 108046 EVERY 600mm, USE SCREW G67-XX-XXX OR G56-XX-XXX AS APPROPRIATE FOR INSTALLATION.



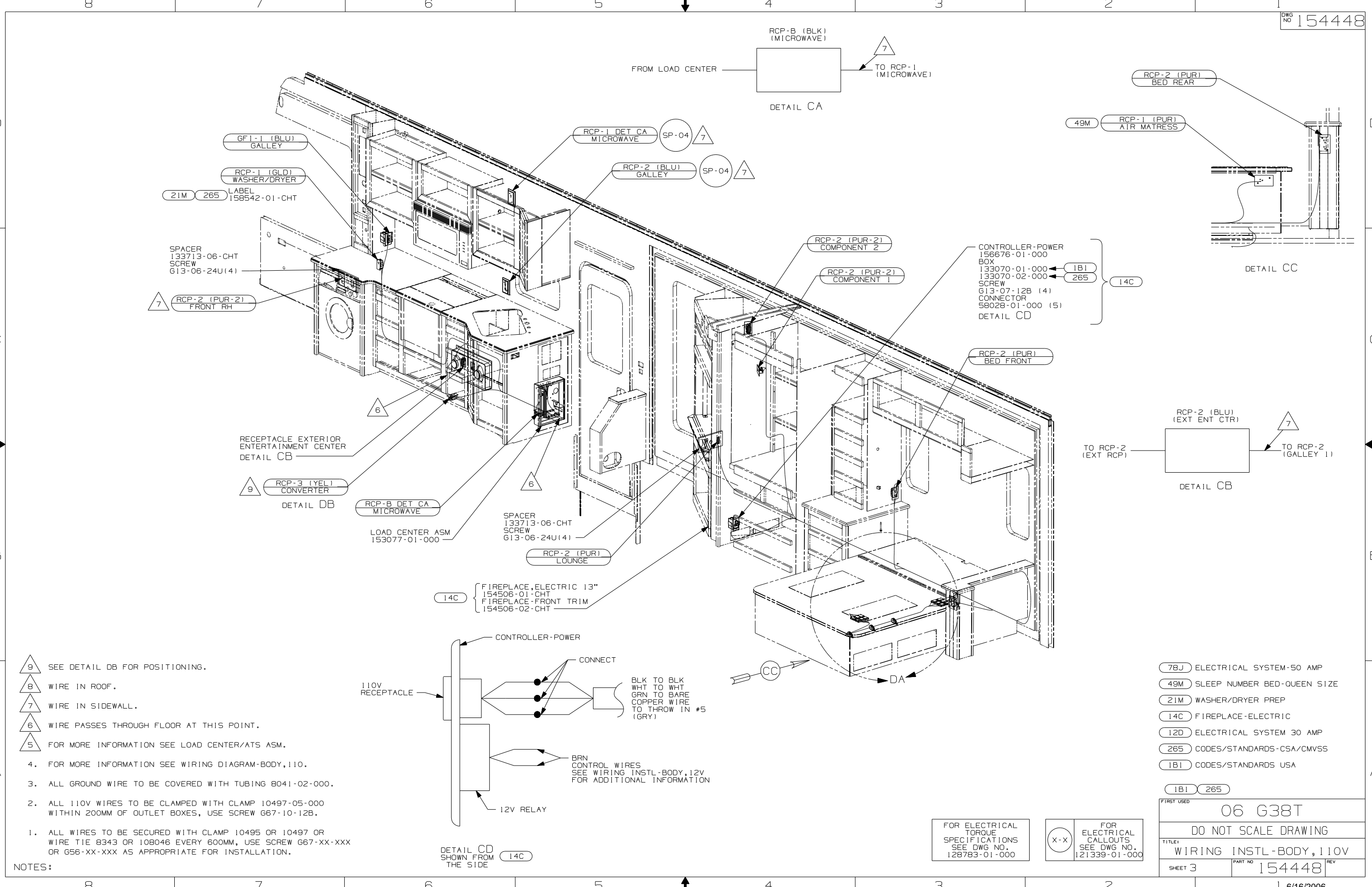
FOR ELECTRICAL TORQUE SPECIFICATIONS SEE DWG NO. 128783-01-000

FOR ELECTRICAL CALLOUTS SEE DWG NO. 121339-01-000

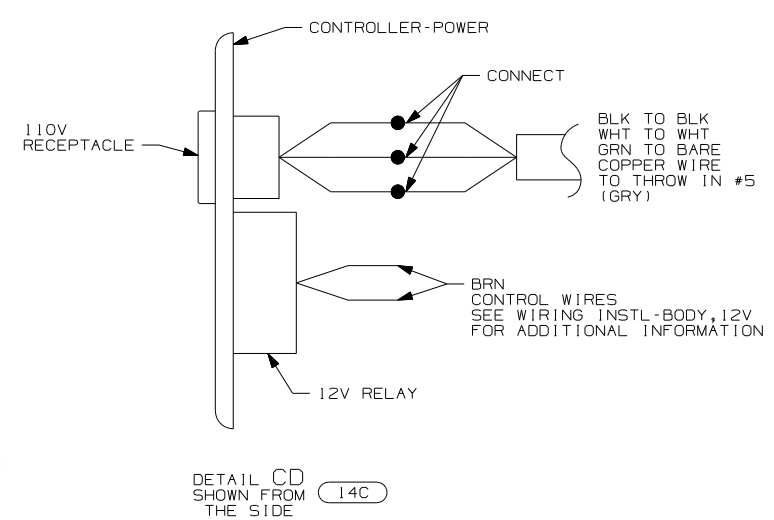
- 40D INVERTER-DC/AC, 400 WATT
- 40A INVERTER-DC/AC WITHOUT
- 78J ELECTRICAL SYSTEM-50 AMP
- 12D ELECTRICAL SYSTEM 30 AMP
- 265 CODES/STANDARDS-CSA/CMVSS
- 1B1 CODES/STANDARDS USA

FIRST USED		06 G38T	
DO NOT SCALE DRAWING			
TITLE: WIRING INSTL-BODY, 110V			
SHEET 2	PART NO	154448	

NOTES:



- NOTES:
- 9 SEE DETAIL DB FOR POSITIONING.
 - 8 WIRE IN ROOF.
 - 7 WIRE IN SIDEWALL.
 - 6 WIRE PASSES THROUGH FLOOR AT THIS POINT.
 - 5 FOR MORE INFORMATION SEE LOAD CENTER/ATS ASM.
 - 4. FOR MORE INFORMATION SEE WIRING DIAGRAM-BODY,110.
 - 3. ALL GROUND WIRE TO BE COVERED WITH TUBING 8041-02-000.
 - 2. ALL 110V WIRES TO BE CLAMPED WITH CLAMP 10497-05-000 WITHIN 200MM OF OUTLET BOXES, USE SCREW G67-10-12B.
 - 1. ALL WIRES TO BE SECURED WITH CLAMP 10495 OR 10497 OR WIRE TIE 8343 OR 108046 EVERY 600MM, USE SCREW G67-XX-XXX OR G56-XX-XXX AS APPROPRIATE FOR INSTALLATION.

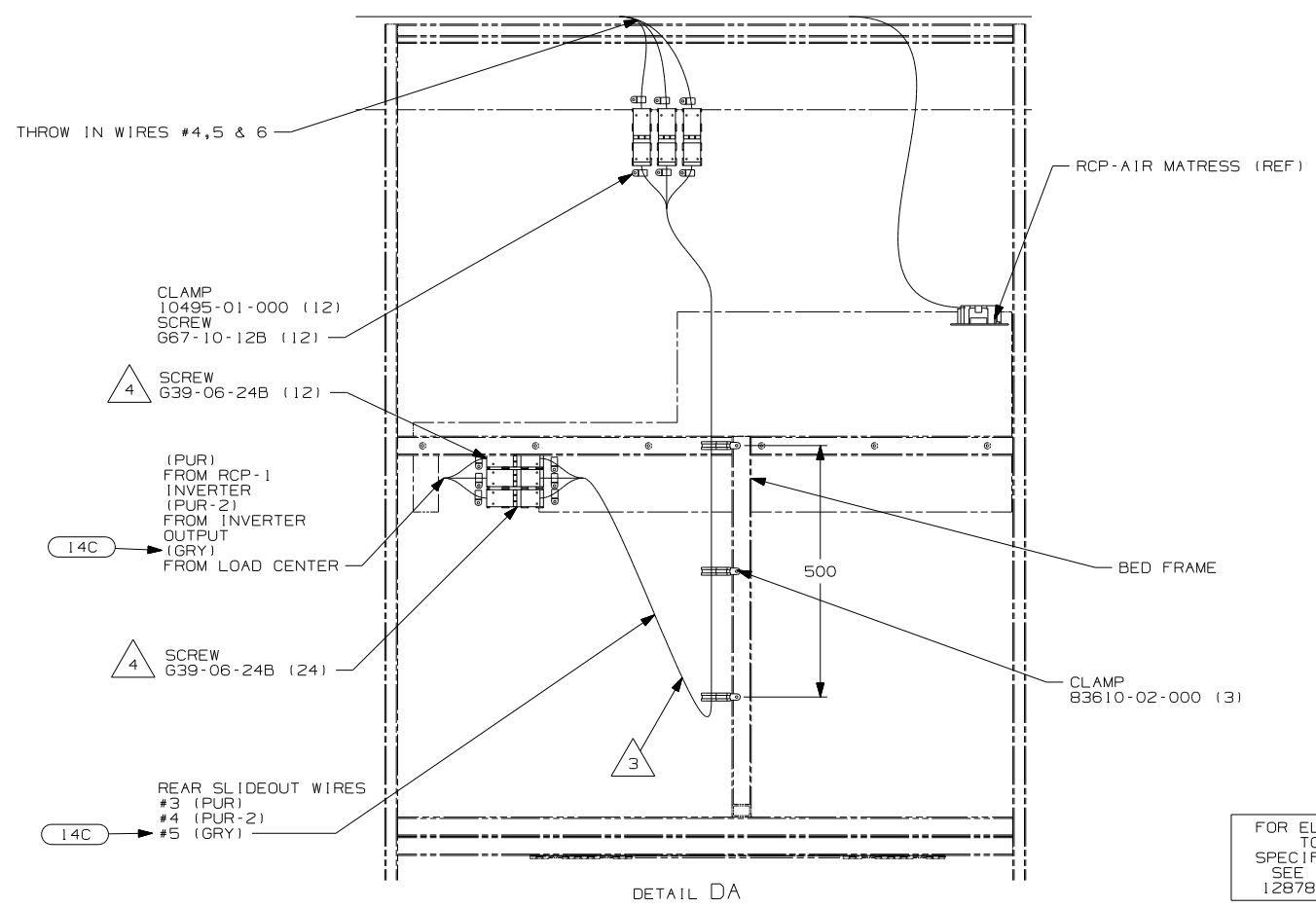
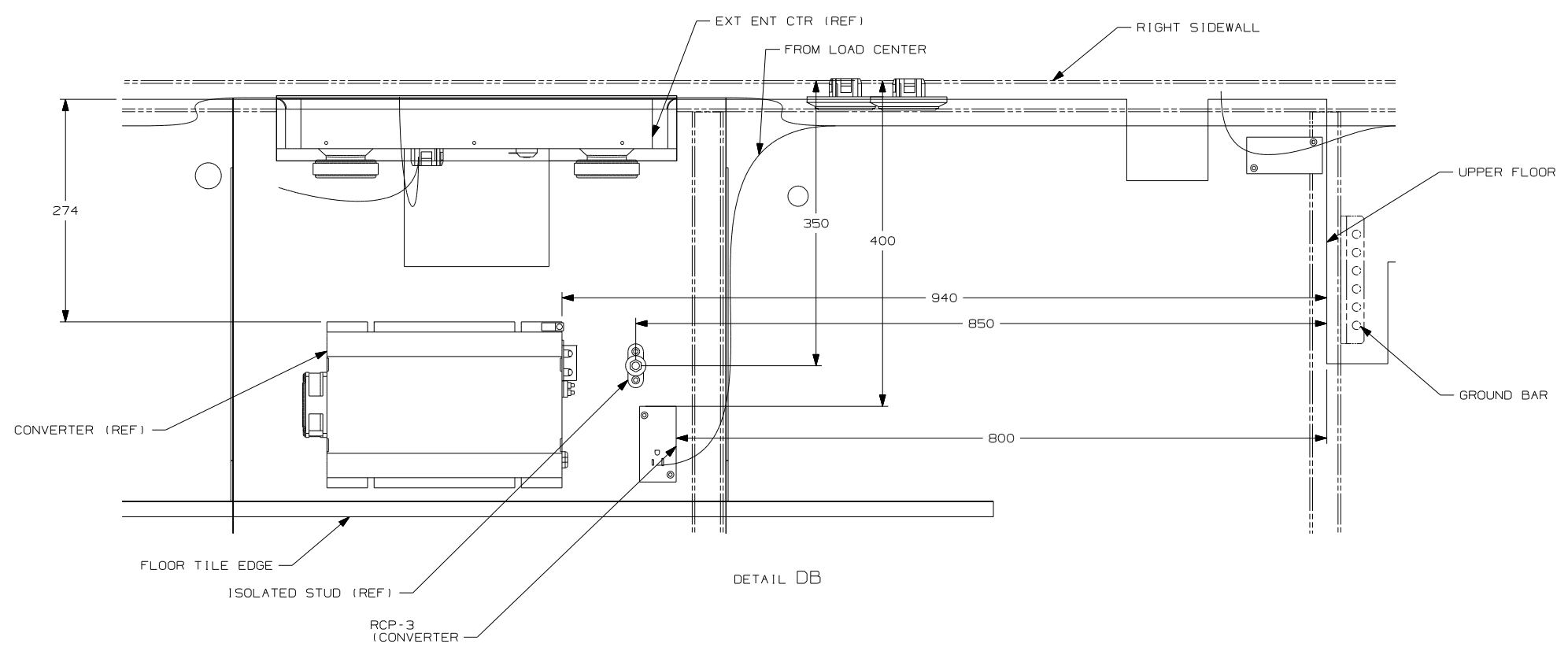


FOR ELECTRICAL TORQUE SPECIFICATIONS SEE DWG NO. 128783-01-000

FOR ELECTRICAL CALLOUTS SEE DWG NO. 121339-01-000

- (78J) ELECTRICAL SYSTEM-50 AMP
- (49M) SLEEP NUMBER BED-QUEEN SIZE
- (21M) WASHER/DRYER PREP
- (14C) FIREPLACE-ELECTRIC
- (12D) ELECTRICAL SYSTEM 30 AMP
- (265) CODES/STANDARDS-CSA/CMVSS
- (1B1) CODES/STANDARDS USA

FIRST USED	
06 G38T	
DO NOT SCALE DRAWING	
TITLE: WIRING INSTL-BODY,110V	
SHEET 3	PART NO 154448 REV



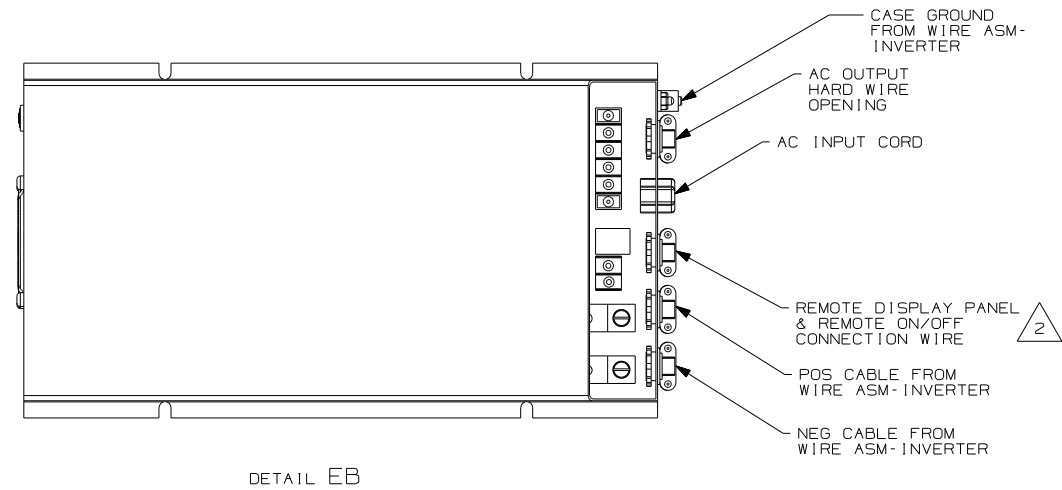
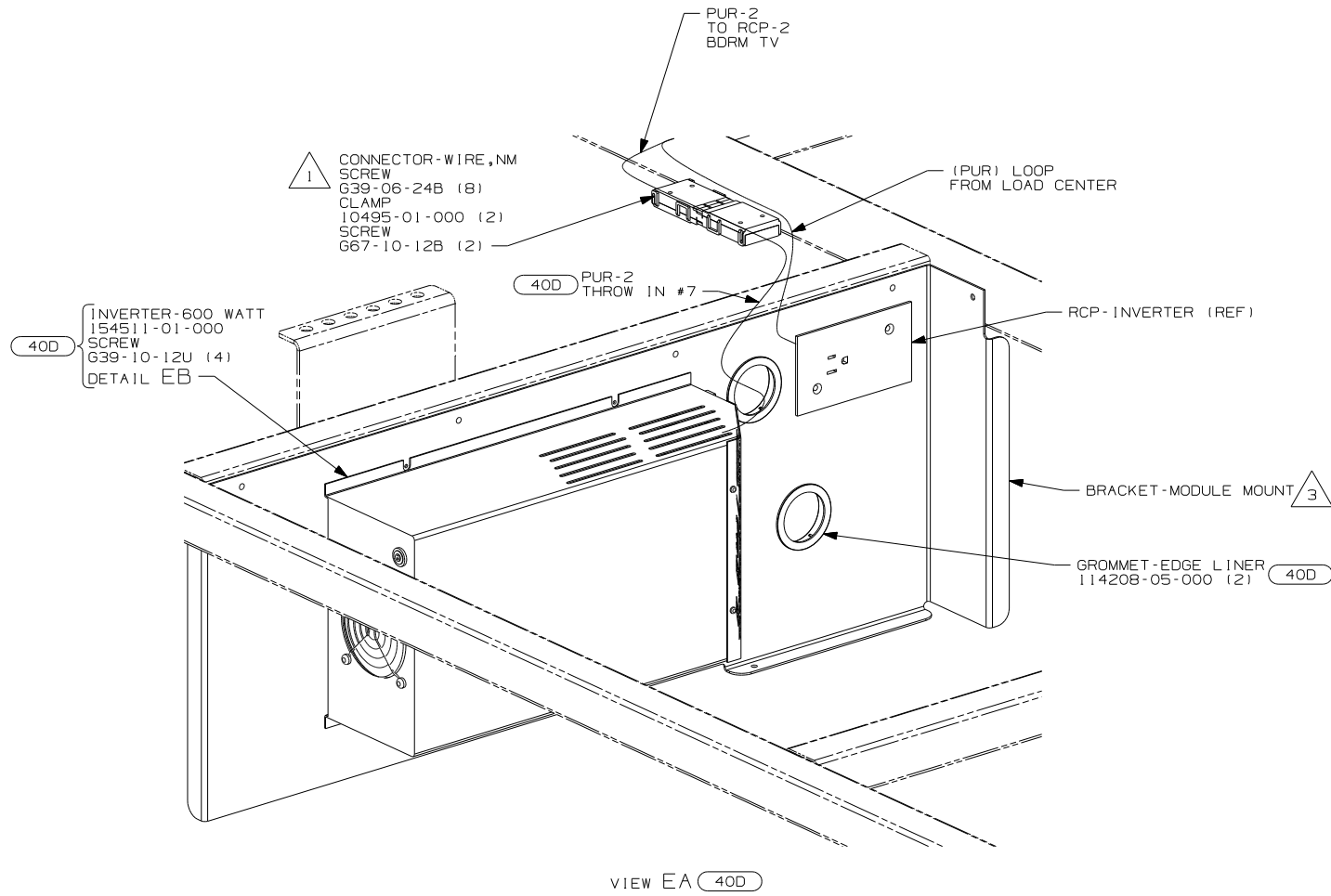
- NOTES:
- 4 SEE LOAD CENTER/ATS ASM FOR ADDITIONAL INFORMATION.
 - 3 MAKE LOOP AS SMALL AS POSSIBLE WHEN SLIDEOUT IS COMPLETELY RETRACTED & WIRE TIE 12V WIRE ASM TO BUNDLE WITH TIE 8343-03-000.
 - 2. ROUTE 12V WIRE ALONG WITH 110V SLIDEOUT WIRE.
 - 1. WIRE MUST BE ROUTED THROUGH CLAMPS AS SHOWN.

- 78J ELECTRICAL SYSTEM-50 AMP
- 49M SLEEP NUMBER BED-QUEEN SIZE
- 14C FIREPLACE-ELECTRIC
- 12D ELECTRICAL SYSTEM 30 AMP
- 265 CODES/STANDARDS-CSA/CMVSS
- 1B1 CODES/STANDARDS USA

FOR ELECTRICAL TORQUE SPECIFICATIONS SEE DWG NO. 128783-01-000

FOR ELECTRICAL CALLOUTS SEE DWG NO. 121339-01-000

FIRST USED	06 G38T
TITLE	DO NOT SCALE DRAWING
TITLE	WIRING INSTL-BODY, 110V
SHEET 4	PART NO 154448 REV



- NOTES:
- 3 SEE BODY INSTL-PANEL & TRIM FOR ADDITIONAL INFORMATION.
 - 2 WB FROM WIRE ASM COACH TO PUR WIRE FROM INVERTER.
 - 1 SEE LOAD CENTER/ATS ASM FOR ADDITIONAL INFORMATION.

- 40D INVERTER-DC/AC, 600 WATT
- 265 CODES/STANDARDS-CSA/CMVSS
- 1B1 CODES/STANDARDS USA

FIRST USED		06 G38T	
DO NOT SCALE DRAWING			
TITLE:			
WIRING INSTL-BODY, 110V			
SHEET 5	PART NO	154448	REV