



**DANGER**

**Danger of electrical shock, burns or death.** Always remove all power sources before attempting any repair, service or diagnostic work. Power can be present from shore power, generator, inverter or battery. All power sources must be disabled and secured before performing any service.

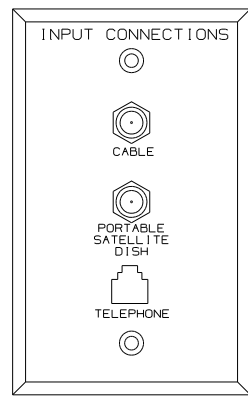


**CAUTION**

If you lack the skills, tools or equipment to perform diagnostic or repair work leave such work to an authorized Winnebago Industries dealer or other qualified shop.

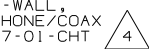
DRAWING NO.	FEATURE
154447-01	(WIN)
154447-02	(ITA)

RELEASE	REV/DATE	DWG NO
	A	154447
REV ZONE	REVISION RECORD	DATE DFR-0R16



VIEW AA

PLATE-WALL, TELEPHONE/COAX 149557-01-CHT SCREW G39-08-08U (2)



WIRE ASM-AUX HOLDING TANK (2) 151316-02-000

2 PIN HSG TO WIRE ASM-AUX HOLDING TANK

8 PIN HOUSING (2) DETAIL ES

2 PIN HSG TO WIRE ASM-MAIN HOLDING TANK

WIRE ASM-MAIN HOLDING TANK 151317-02-000

TELEPHONE INPUT CABLE ASM-COAX (RED) (GLD)

PLATE-WALL, TELEPHONE/COAX DETAIL AA

4 PIN HSG TO FURNACE

WIRE ASM-THERMOSTAT 135131-01-000

WIRE ASM-THERMOSTAT FROM WIRE ASM-COACH TO CENTRAL A/C

2 PIN HSG TO WIRE ASM-AUX HOLDING TANK

WIRE ASM-AUX HOLDING TANK 151316-02-000

TO COMPT. LAMP SWITCH

TO COMPT. LAMP SWITCH

WIRE ASM-CHASSIS

TO COMPT. LAMP SWITCH

WB & INVERTER CONTROL CABLE TO INVERTER (40D)

4 PIN HSG TO WATER HEATER

TO WATER PUMP JS-RED JY-BLK SPLIDE-HAT 58028-01-000 (2)

TO COMPT. LAMP SWITCH

TO COMPT. LAMP SWITCH

4 & 15 PIN HSGS TO AWNING CONTROL BOX

TO COMPT. LAMP SWITCH

INVERTER CONTROL CABLE TO INVERTER REMOTE PANEL WIRE ASM-THERMOSTAT FROM CENTRAL A/C TO WIRE ASM-COACH (40D)

8 PIN HSGS (3) DETAIL ER

2 PIN HSG TO WIRE ASM-WATER TANK

WIRE ASM-WATER TANK 151317-01-000

WIRE ASM-COACH 154744-01-000

- (WIN) WINNEBAGO ONLY
- (ITA) ITASCA ONLY
- (40D) INVERTER-DC/AC, 600 WATT
- (265) CODES/STANDARDS-CSA/CMVSS
- (20C) SOUND SYS. DLX. W/O-SURROUND
- (1B1) CODES/STANDARDS USA

**WINNEBAGO** COPYRIGHT 2006 WINNEBAGO INDUSTRIES, INC.

DFTR	ORIG. DATE
CHKR	ALL DIMENSIONS ARE IN MILLIMETERS
P.E.	
M.E.	FIRST USED
DSNR	06 G38T

UNSPECIFIED TOLERANCES ARE: MATERIAL:

WHOLE DIM (X)	: 3
ONE-PLACE (X.X)	: 1.5
TWO-PLACE (X.XX)	: 0.50
ANGLE	: 1°

THIRD ANGLE PROJECTION

**DO NOT SCALE DRAWING**

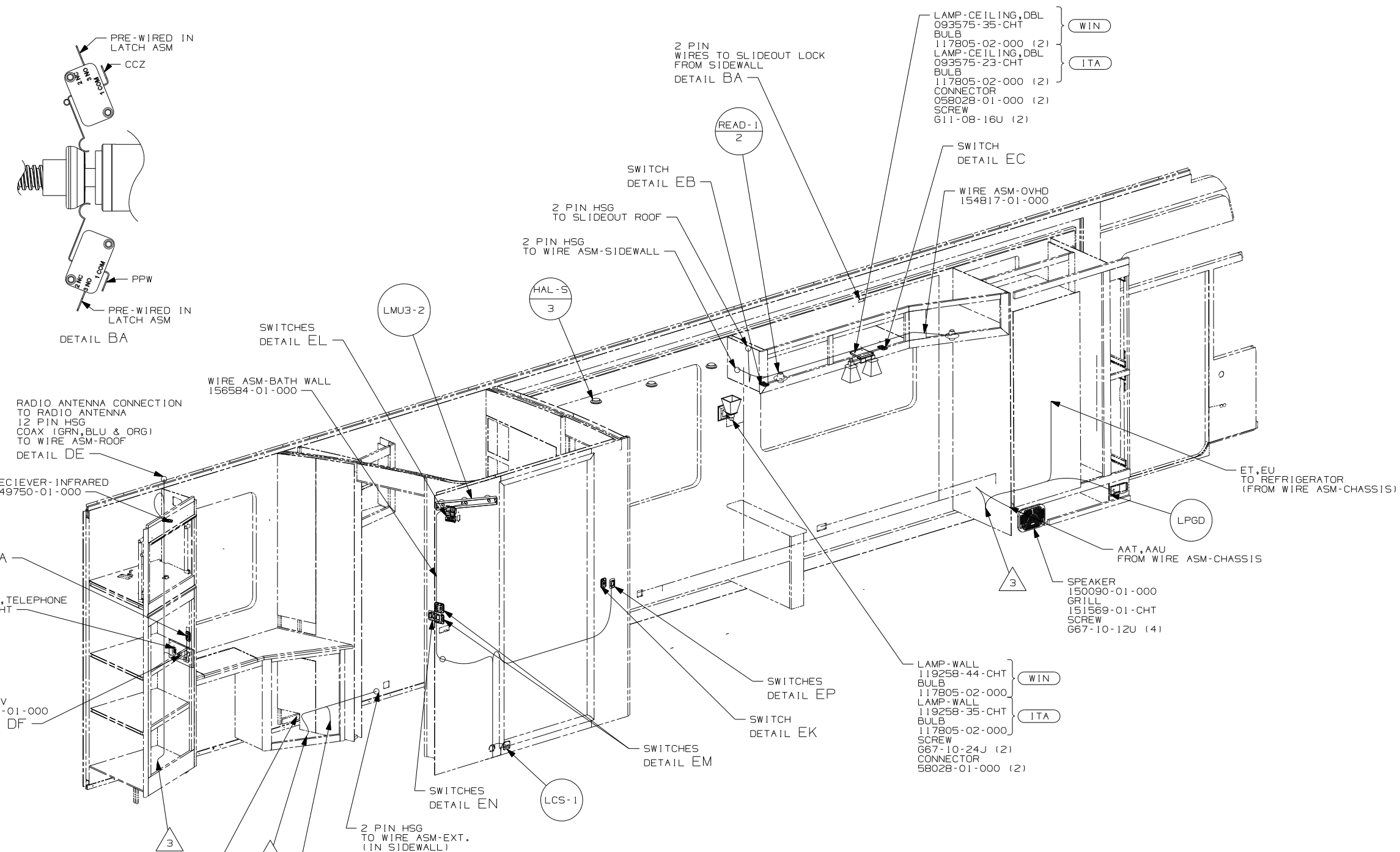
TITLE: WIRING INSTL-BODY, 12V

SHEET 1 OF 7 PART NO 154447 REV

- 5 FOR ADDITIONAL INFORMATION SEE CENTRAL A/C INSTALLATION.
- 4 CONNECT TELEPHONE WIRES TO MATCHING COLORS ON PLATE-WALL, TELEPHONE
- 3 WIRE PASSES THROUGH FLOOR AT THIS POINT.
2. SEE WIRING DIAGRAM-BODY, 12V FOR ADDITIONAL INFORMATION.
1. ALL WIRES TO BE CLAMPED WITH CLAMP 10495-01-000 OR WIRE TIE 8343-02-000 EVERY 600MM, UNLESS OTHERWISE SPECIFIED.

FOR ELECTRICAL TORQUE SPECIFICATIONS SEE DWG NO. 128783-01-000

(X-X) FOR ELECTRICAL CALLOUTS SEE DWG NO. 121339-01-000



- △ 6 CONNECT TELEPHONE WIRES TO MATCHING COLORS ON PLAT-WALL, TELEPHONE.
  - △ 5 WIRE IN ROOF.
  - △ 4 WIRE IN SIDEWALL.
  - △ 3 WIRE PASSES THROUGH FLOOR AT THIS POINT.
2. SEE WIRING DIAGRAM-BODY, 12V FOR ADDITIONAL INFORMATION.
1. ALL WIRES TO BE SECURED WITH CLAMP 10495 OR 10497 OR WIRE TIE 8343 OR 108046 EVERY 600mm, USE SCREW 667-XX-XXX OR G56-XX-XXX AS APPROPRIATE FOR INSTALLATION.

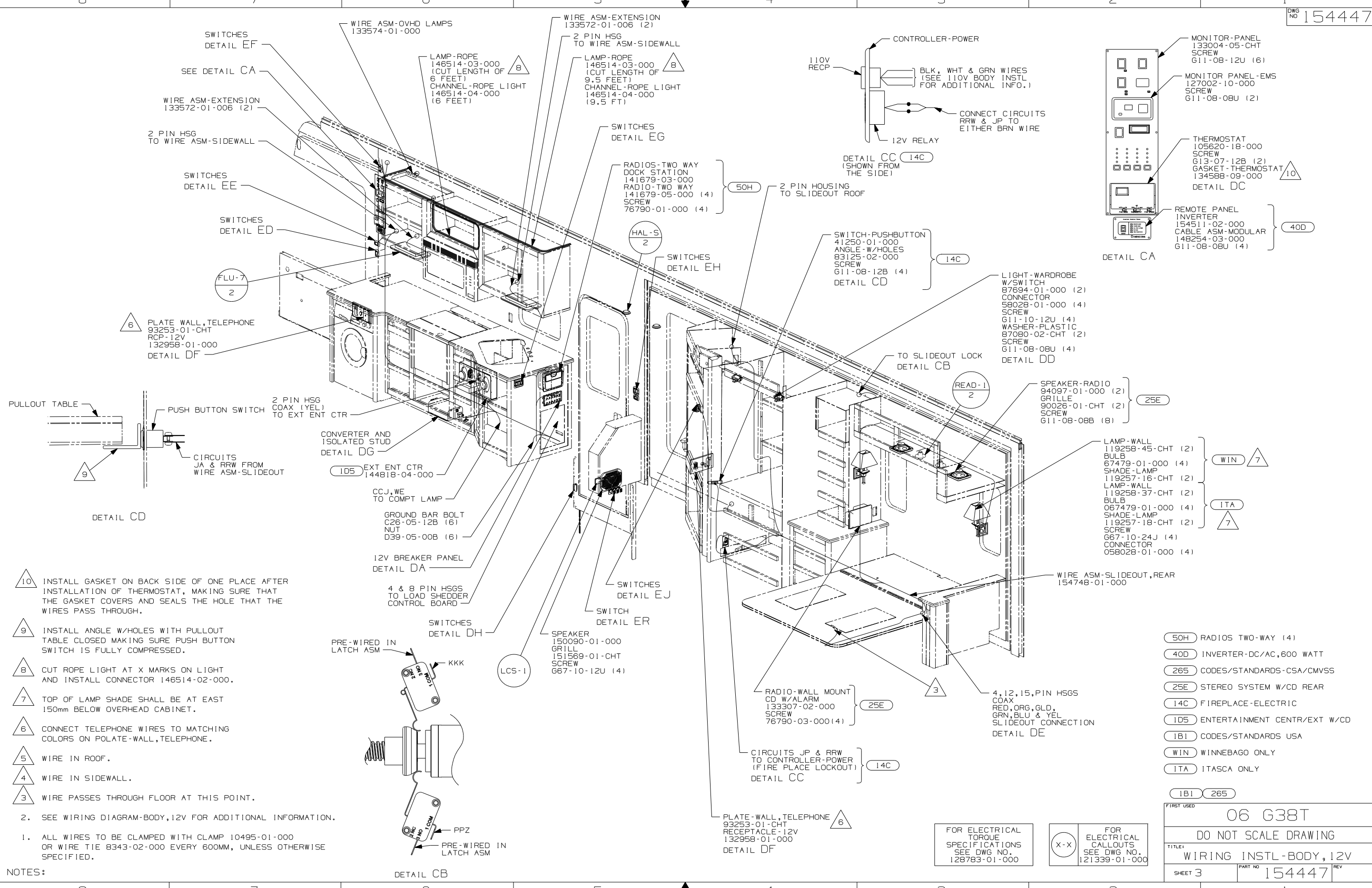
NOTES:

- ITA ITASCA ONLY
- 21L DINING TABLE/CHAIRS
- 29H A/C CENTRAL HEAT PUMP
- 29C A/C CENTRAL
- 265 CODES/STANDARDS-CSA/CMVSS
- 1B1 CODES/STANDARDS USA

FIRST USED		06 G38T	
DO NOT SCALE DRAWING			
TITLE: WIRING INSTL-BODY, 12V			
SHEET 2	PART NO	154447	

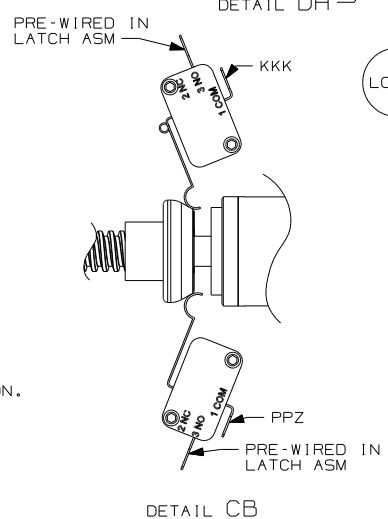
FOR ELECTRICAL TORQUE SPECIFICATIONS SEE DWG NO. 128783-01-000

FOR ELECTRICAL CALLOUTS SEE DWG NO. 121339-01-000



- 10 INSTALL GASKET ON BACK SIDE OF ONE PLACE AFTER INSTALLATION OF THERMOSTAT, MAKING SURE THAT THE GASKET COVERS AND SEALS THE HOLE THAT THE WIRES PASS THROUGH.
  - 9 INSTALL ANGLE W/HOLES WITH PULLOUT TABLE CLOSED MAKING SURE PUSH BUTTON SWITCH IS FULLY COMPRESSED.
  - 8 CUT ROPE LIGHT AT X MARKS ON LIGHT AND INSTALL CONNECTOR 146514-02-000.
  - 7 TOP OF LAMP SHADE SHALL BE AT EAST 150mm BELOW OVERHEAD CABINET.
  - 6 CONNECT TELEPHONE WIRES TO MATCHING COLORS ON POLATE-WALL, TELEPHONE.
  - 5 WIRE IN ROOF.
  - 4 WIRE IN SIDEWALL.
  - 3 WIRE PASSES THROUGH FLOOR AT THIS POINT.
2. SEE WIRING DIAGRAM-BODY,12V FOR ADDITIONAL INFORMATION.
1. ALL WIRES TO BE CLAMPED WITH CLAMP 10495-01-000 OR WIRE TIE 8343-02-000 EVERY 600MM, UNLESS OTHERWISE SPECIFIED.

NOTES:

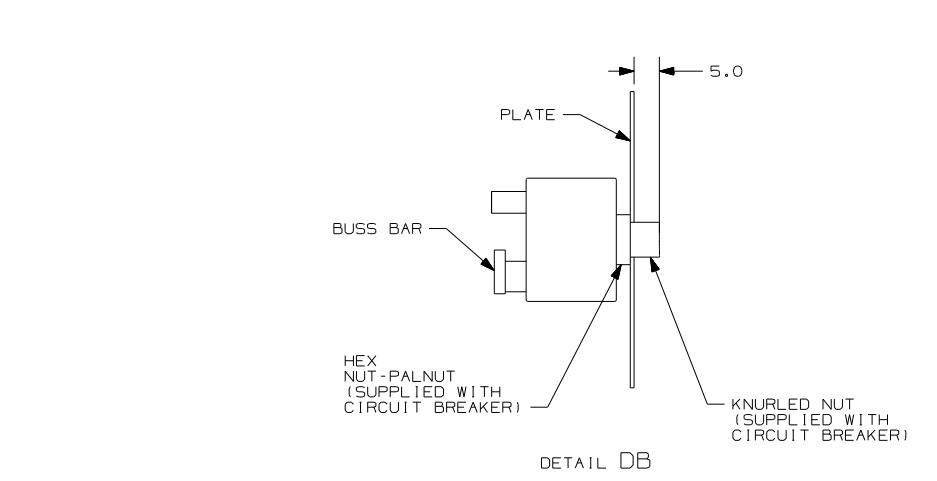
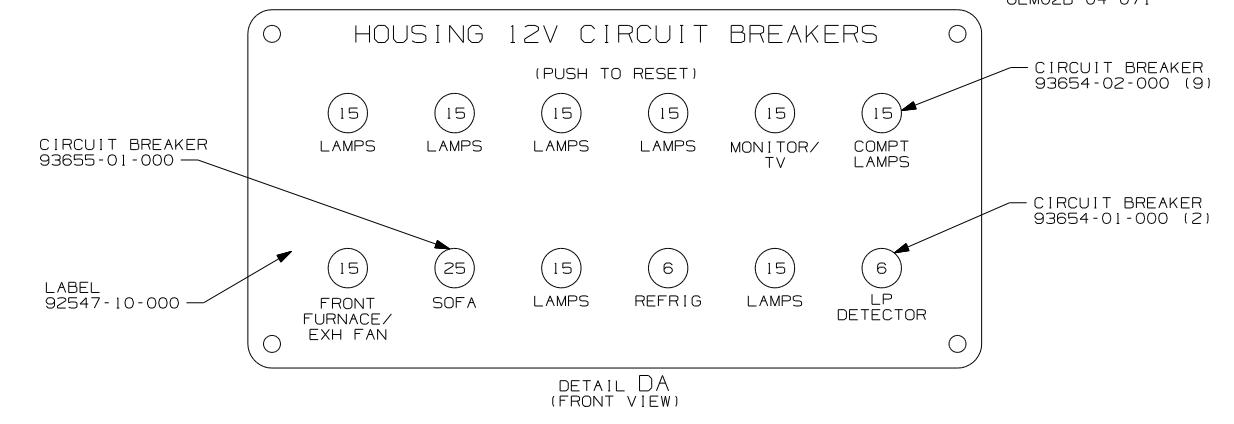
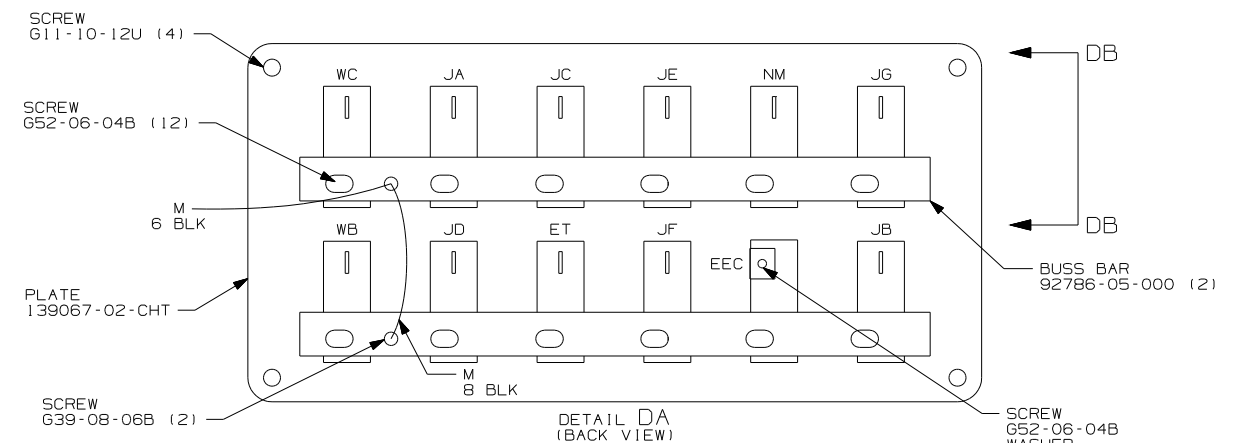


- (50H) RADIOS TWO-WAY (4)
- (40D) INVERTER-DC/AC,600 WATT
- (265) CODES/STANDARDS-CSA/CMVSS
- (25E) STEREO SYSTEM W/CD REAR
- (14C) FIREPLACE-ELECTRIC
- (105) ENTERTAINMENT CENTR/EXT W/CD
- (1B1) CODES/STANDARDS USA
- (WIN) WINNEBAGO ONLY
- (ITA) ITASCA ONLY

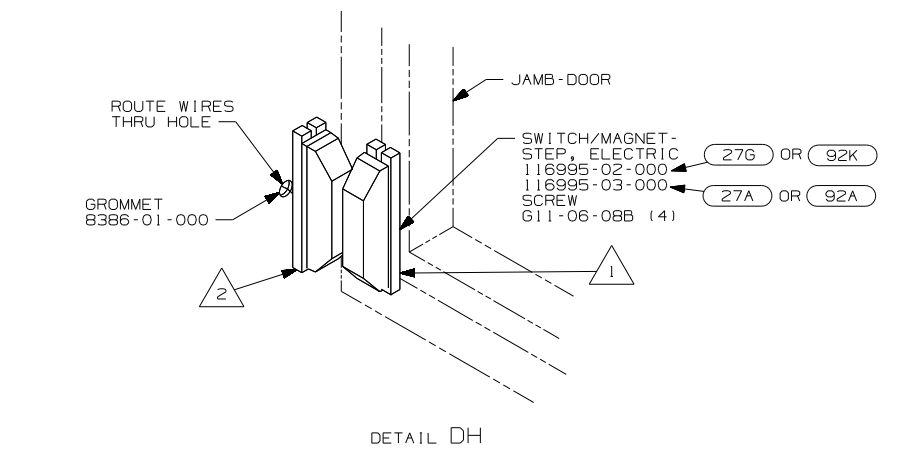
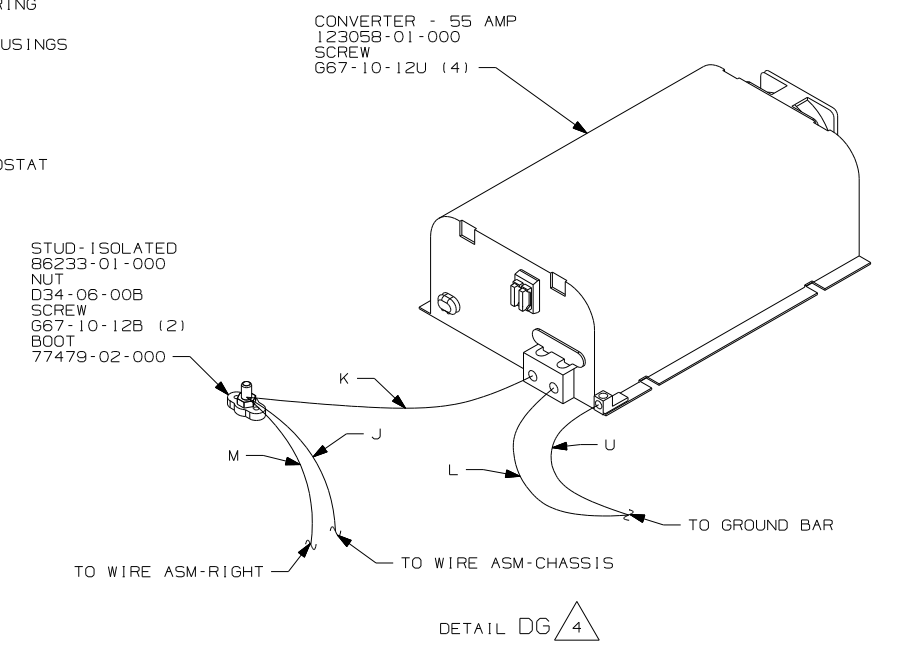
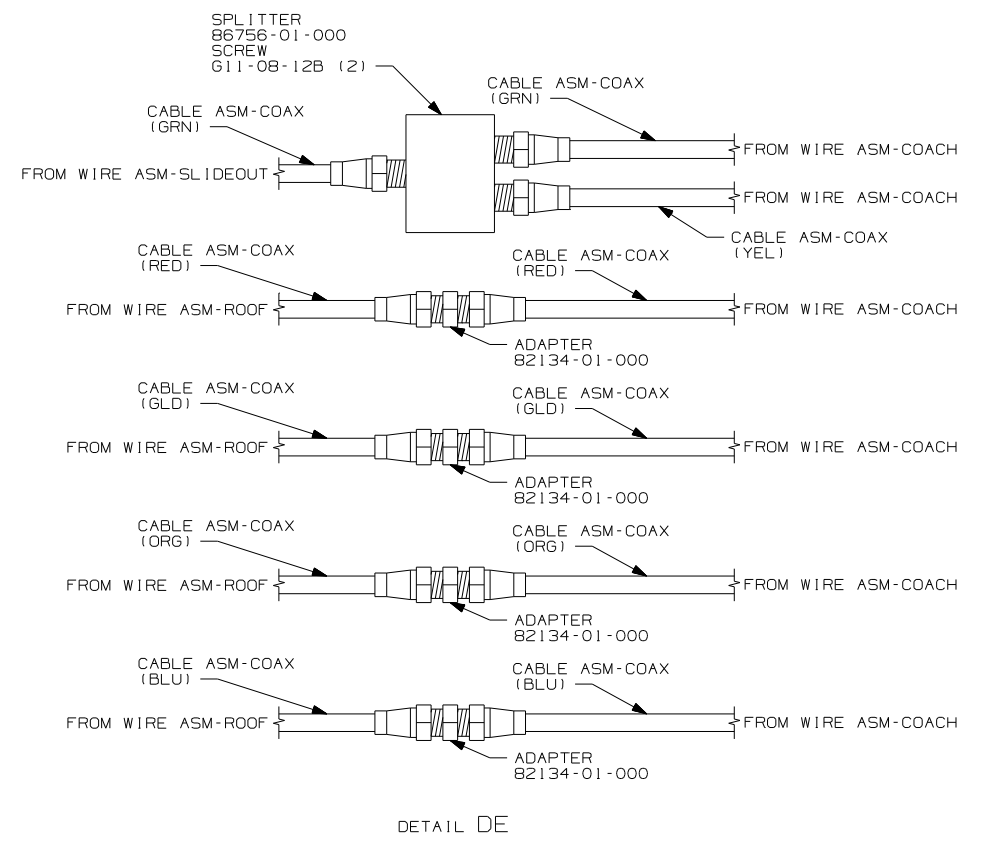
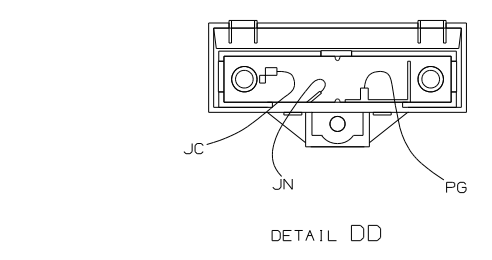
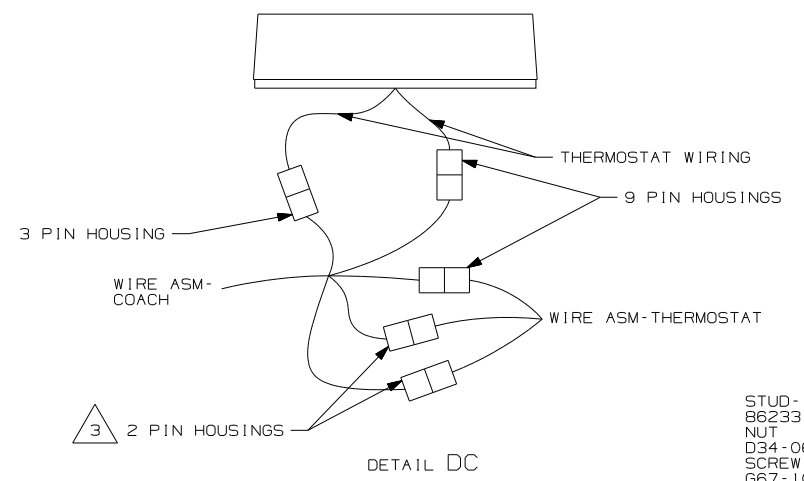
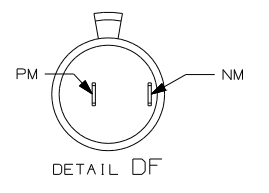
FOR ELECTRICAL TORQUE SPECIFICATIONS SEE DWG NO. 128783-01-000

(X-X) FOR ELECTRICAL CALLOUTS SEE DWG NO. 121339-01-000

FIRST USED	
06 G38T	
DO NOT SCALE DRAWING	
TITLE: WIRING INSTL-BODY,12V	
SHEET 3	PART NO 154447
REV	



- NOTES:
- 4 FOR POSITIONING DIMENSIONS SEE WIRING INSTL-BODY, 110V SHT 4.
  - 3 WITHOUT (29H) PLUG THE TWO PIN HOUSINGS TOGETHER ON WIRE ASM-THERMOSTAT.
  - 2 MOUNT SWITCH AND SPACER TO BLOCK ON JAMB ADJUST HEIGHT TO MATCH MAGNET.
  - 1 MOUNT MAGNET USING PILOT HOLES IN SCREEN DOOR FRAME. MOUNT WITH MAGNET TOWARD SWITCH.

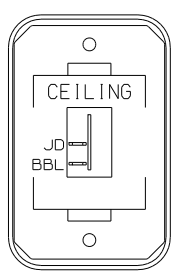


- 92K EXTERIOR GRAPHICS PACKAGE #2
- 92A EXT FULL BODY PAINT PKG # 2
- 29H A/C CENTRAL\_HEAT PUMP
- 27G EXTERIOR GRAPHICS PACKAGE #1
- 27A EXT FULL BODY PAINT PKG #1
- 265 CODES/STANDARDS-CSA/CMVSS
- 1B1 CODES/STANDARDS USA

FOR ELECTRICAL TORQUE SPECIFICATIONS SEE DWG NO. 128783-01-000

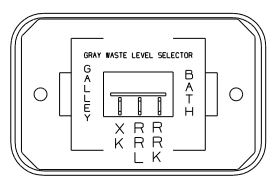
X-X FOR ELECTRICAL CALLOUTS SEE DWG NO. 121339-01-000

FIRST USED	06 G38T
TITLE	DO NOT SCALE DRAWING
WIRING INSTL-BODY, 12V	
SHEET 4	PART NO 154447 REV



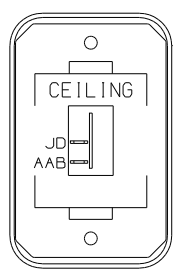
SWITCH-ROCKER  
135740-01-CHT  
SWITCH-BASE  
135741-01-CHT  
SWITCH-BEZEL  
135742-07-CHT  
SCREW  
G11-08-08U (2)

DETAIL EA



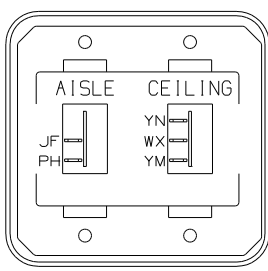
SWITCH-ROCKER  
135740-04-CHT  
SWITCH-BASE  
135741-02-CHT  
SWITCH-BEZEL  
135742-52-CHT  
SCREW  
G11-08-08U (2)

DETAIL EE



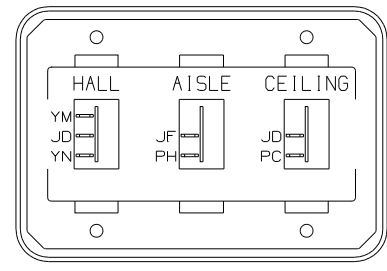
SWITCH-ROCKER  
135740-01-CHT  
SWITCH-BASE  
135741-01-CHT  
SWITCH-BEZEL  
135742-07-CHT  
SCREW  
G11-08-08U (2)

DETAIL EJ

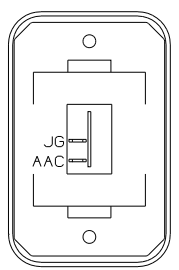


SWITCH-ROCKER  
135740-01-CHT  
135740-02-CHT  
SWITCH-BASE  
135741-02-CHT  
SWITCH-BEZEL  
135742-13-CHT  
SCREW  
G11-08-08U (4)

DETAIL EN (WIN)

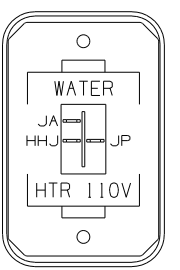


SWITCH-ROCKER  
135740-01-CHT (2)  
135740-02-CHT  
SWITCH-BASE  
135741-03-CHT  
SWITCH-BEZEL  
135742-25-CHT  
SCREW  
G11-08-08U (4)



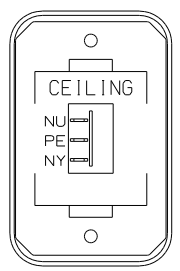
SWITCH-ROCKER  
135740-01-CHT  
SWITCH-BASE  
135741-01-CHT  
SWITCH-BEZEL  
135742-01-CHT  
SCREW  
G11-08-08U (2)

DETAIL EB



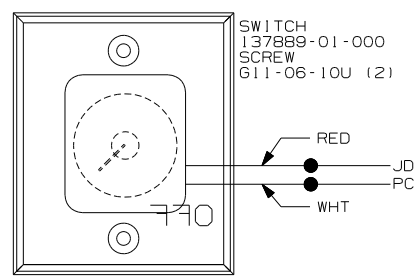
SWITCH-ROCKER  
135740-06-CHT  
SWITCH-BASE  
135741-01-CHT  
SWITCH-BEZEL  
135742-35-CHT  
SCREW  
G11-08-08U (2)

DETAIL EF



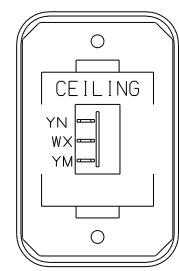
SWITCH-ROCKER  
135740-01-CHT  
SWITCH-BASE  
135741-01-CHT  
SWITCH-BEZEL  
135742-07-CHT  
SCREW  
G11-08-08U (2)

DETAIL EK



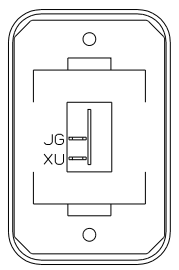
SWITCH  
137889-01-000  
SCREW  
G11-06-10U (2)

DETAIL EN (ITA)



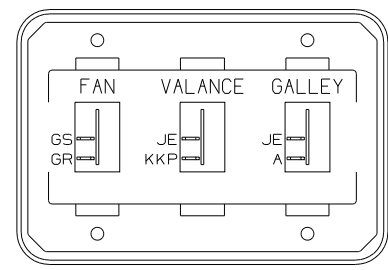
SWITCH-ROCKER  
135740-01-CHT  
SWITCH-BASE  
135741-01-CHT  
SWITCH-BEZEL  
135742-07-CHT  
SCREW  
G11-08-08U (2)

DETAIL EP



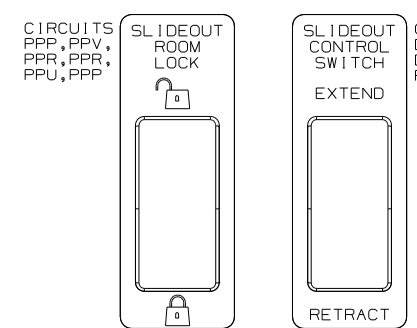
SWITCH-ROCKER  
135740-01-CHT  
SWITCH-BASE  
135741-01-CHT  
SWITCH-BEZEL  
135742-01-CHT  
SCREW  
G11-08-08U (2)

DETAIL EC



SWITCH-ROCKER  
135740-01-CHT (3)  
SWITCH-BASE  
135741-03-CHT  
SWITCH-BEZEL  
135742-41-CHT  
SCREW  
G11-08-08U (4)

DETAIL EG



CIRCUITS  
PPP, PPV,  
PPR, PPR,  
PPU, PPP

SLIDEOUT  
ROOM  
LOCK

SLIDEOUT  
CONTROL  
SWITCH

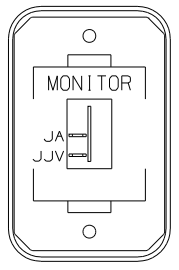
CIRCUITS  
DDA, CCY,  
DDA, BBM,  
PPX, BBN

PLATE-SWITCH  
144363-09-CHT (2)  
SWITCH  
108357-06-000 (2)  
ACTUATOR  
108356-02-CHT (2)  
NUT  
D65-08-00B (4)  
LABEL  
116220-01-000  
116220-02-000

**WARNING**  
UNDERSTAND OPERATOR'S MANUAL  
BEFORE USING KEEP PEOPLE AND  
OBSTRUCTIONS CLEAR OF SLIDEOUT  
ROOM WHEN OPERATING TO AVOID  
INJURY AND/OR PROPERTY DAMAGE

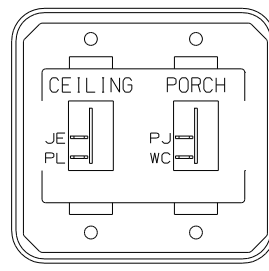
LABEL-WARNING  
116549-02-000

DETAIL EL



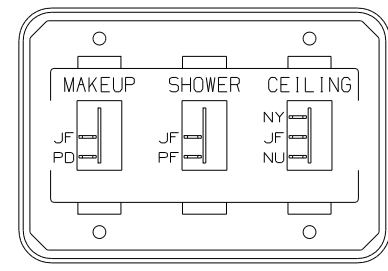
SWITCH-ROCKER  
135740-01-CHT  
SWITCH-BASE  
135741-01-CHT  
SWITCH-BEZEL  
135742-30-CHT  
SCREW  
G11-08-08U (2)

DETAIL ED



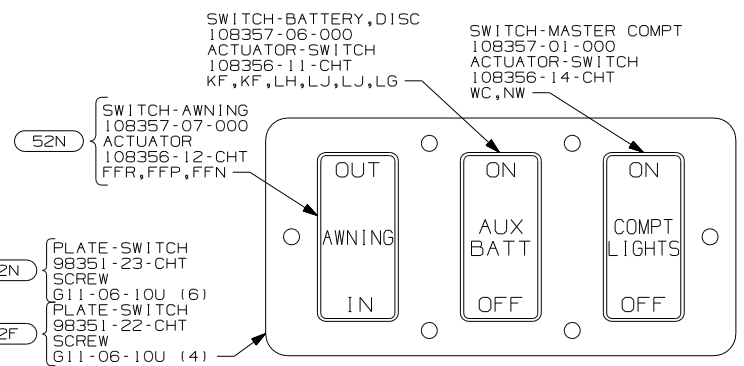
SWITCH-ROCKER  
135740-01-CHT (2)  
SWITCH-BASE  
135741-02-CHT  
SWITCH-BEZEL  
135742-19-CHT  
SCREW  
G11-08-08U (4)

DETAIL EH



SWITCH-ROCKER  
135740-01-CHT (2)  
135740-02-CHT  
SWITCH-BASE  
135741-03-CHT  
SWITCH-BEZEL  
135742-28-CHT  
SCREW  
G11-08-08U (4)

DETAIL EM



SWITCH-BATTERY, DISC  
108357-06-000  
ACTUATOR-SWITCH  
108356-11-CHT  
KF, KF, LH, LJ, LJ, LG

SWITCH-AWNING  
108357-07-000  
ACTUATOR  
108356-12-CHT  
FFR, FFP, FFN

SWITCH-MASTER COMPT  
108357-01-000  
ACTUATOR-SWITCH  
108356-14-CHT  
WC, NW

52N PLATE-SWITCH  
98351-23-CHT  
SCREW  
G11-06-10U (6)  
52F PLATE-SWITCH  
98351-22-CHT  
SCREW  
G11-06-10U (4)

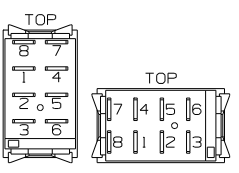
DETAIL ER

SWITCH-SERVICE LAMP  
108357-01-000  
ACTUATOR  
108356-02-CHT  
WC, WA

SWITCH-PUMP  
108357-15-000  
ACTUATOR  
108356-04-CHT  
JY, AG, JA, AF, JS

DETAIL ES 3

- 52F AWNING-PATIO
- 52N AWNING - PATIO, ELECTRIC
- 40A INVERTER-DC/AC WITHOUT
- WIN WINNEBAGO ONLY
- ITA ITASCA ONLY
- 265 CODES/STANDARDS-CSA/CMVSS
- 1B1 CODES/STANDARDS USA



DETAIL EP

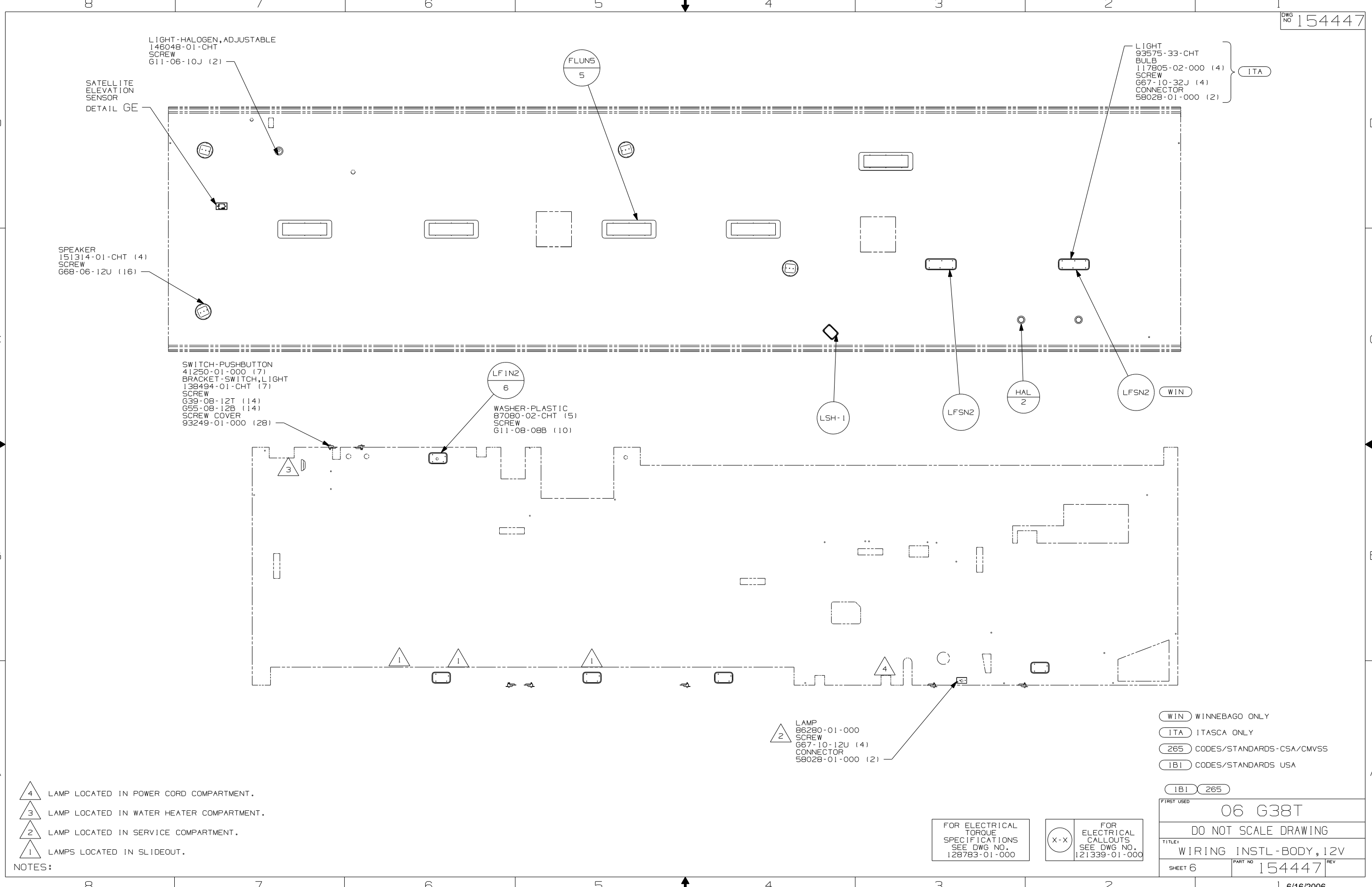
3 FOR SWITCH ORIENTATION SEE DETAIL EP.  
2 WITHOUT 52N

NOTES:  
1. SWITCHES ARE TO BE INSTALLED AS SHOWN ON THIS DRAWING.

FOR ELECTRICAL  
TORQUE  
SPECIFICATIONS  
SEE DWG NO.  
128783-01-000

X-X FOR  
ELECTRICAL  
CALLOUTS  
SEE DWG NO.  
121339-01-000

FIRST USED	06 G38T
DO NOT SCALE DRAWING	
TITLE:	WIRING INSTL-BODY, 12V
SHEET 5	PART NO 154447 REV



LIGHT-HALOGEN, ADJUSTABLE  
146048-01-CHT  
SCREW  
G11-06-10J (2)

SATELLITE  
ELEVATION  
SENSOR  
DETAIL GE

SPEAKER  
151314-01-CHT (4)  
SCREW  
G68-06-12U (16)

LIGHT  
93575-33-CHT  
BULB  
117805-02-000 (4)  
SCREW  
G67-10-32J (4)  
CONNECTOR  
58028-01-000 (2)

ITA

SWITCH-PUSHBUTTON  
41250-01-000 (7)  
BRACKET-SWITCH, LIGHT  
138494-01-CHT (7)  
SCREW  
G39-08-12T (14)  
G55-08-12B (14)  
SCREW COVER  
93249-01-000 (28)

LFI N2  
6

WASHER-PLASTIC  
87080-02-CHT (5)  
SCREW  
G11-08-08B (10)

LSH-1

LFSN2

HAL  
2

LFSN2

WIN

3

1

1

1

2

4

- 4 LAMP LOCATED IN POWER CORD COMPARTMENT.
- 3 LAMP LOCATED IN WATER HEATER COMPARTMENT.
- 2 LAMP LOCATED IN SERVICE COMPARTMENT.
- 1 LAMPS LOCATED IN SLIDEOUT.

NOTES:

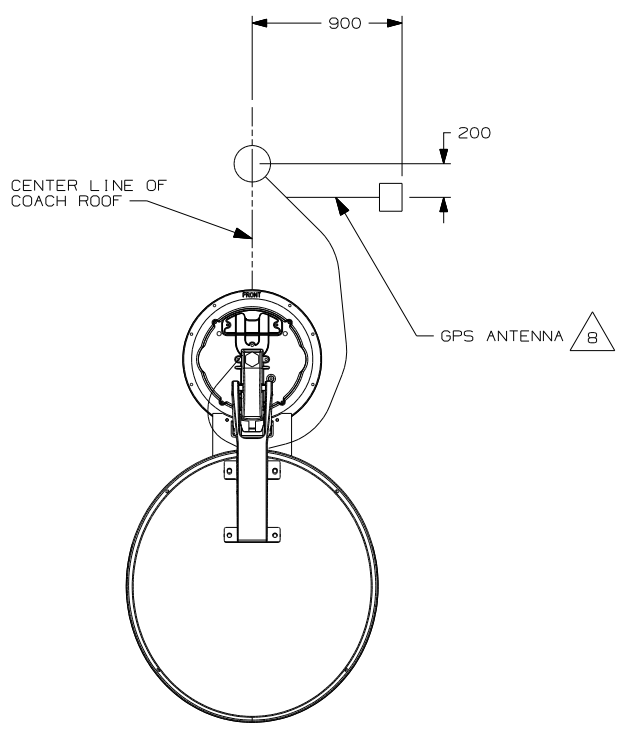
LAMP  
86280-01-000  
SCREW  
G67-10-12U (4)  
CONNECTOR  
58028-01-000 (2)

- WIN WINNEBAGO ONLY
- ITA ITASCA ONLY
- 265 CODES/STANDARDS-CSA/CMVSS
- 1B1 CODES/STANDARDS USA

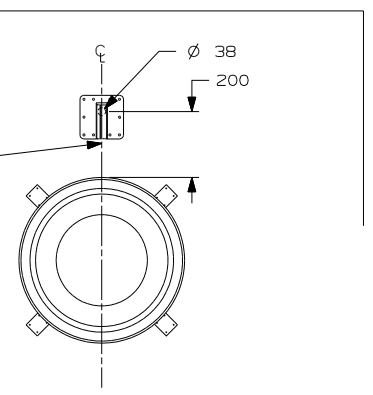
FIRST USED	06 G38T
DO NOT SCALE DRAWING	
TITLE:	WIRING INSTL-BODY, 12V
SHEET 6	PART NO 154447 REV

FOR ELECTRICAL  
TORQUE  
SPECIFICATIONS  
SEE DWG NO.  
128783-01-000

FOR  
ELECTRICAL  
CALLOUTS  
SEE DWG NO.  
121339-01-000

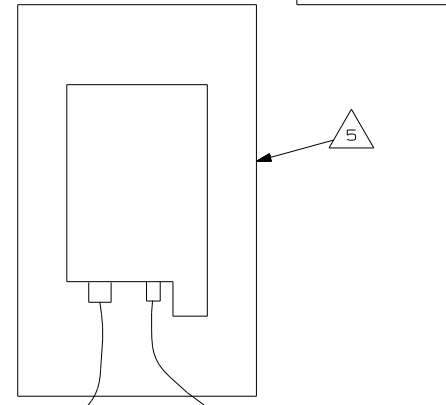
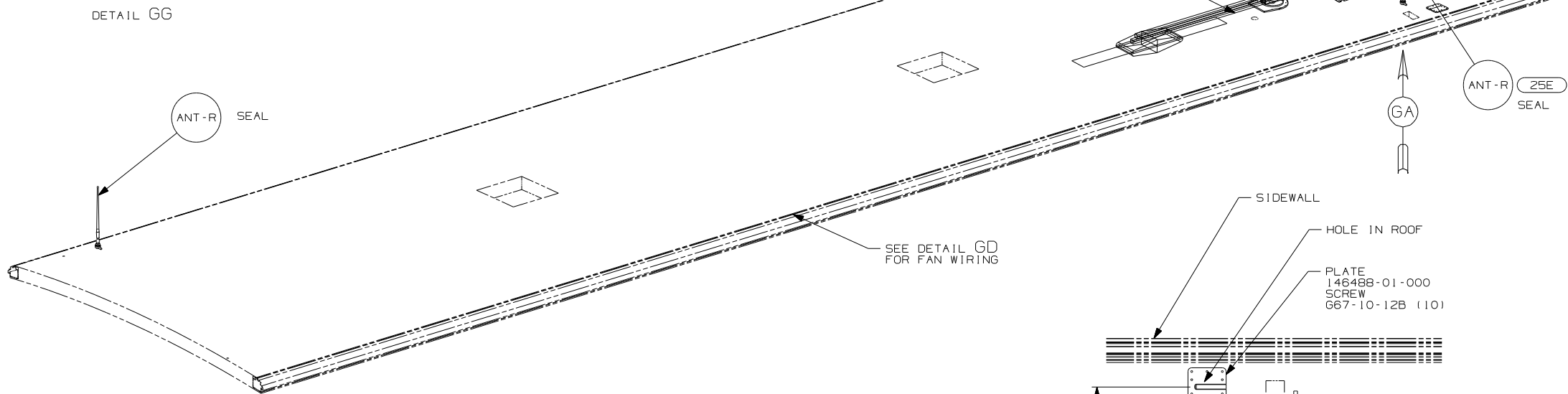


THE COAX CONNECTION IS TO BE PLACED ON THE CENTERLINE OF THE MOTORHOME FACING FORWARD

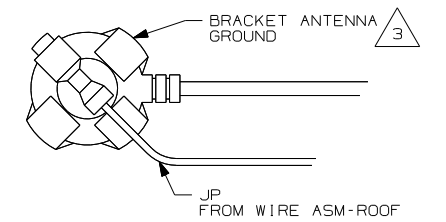


DETAIL GF 7

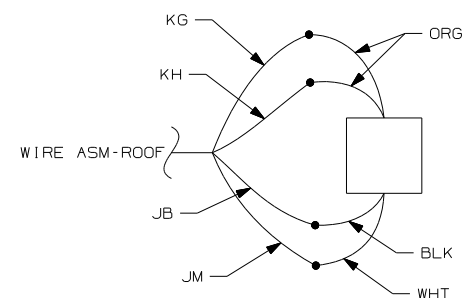
- 78K DA-1 DETAIL GG
- 48R DI-1 DETAIL GF
- 48Q DM-1 DETAIL GE



VIEW GE

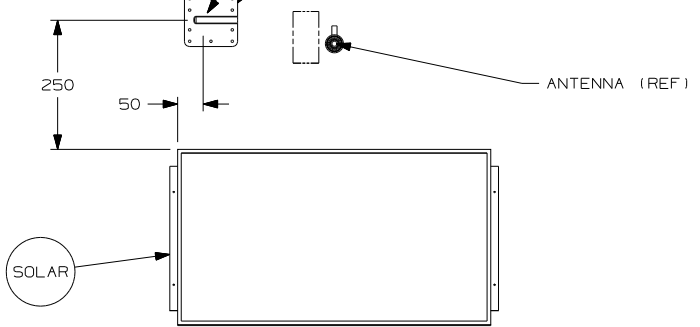


VIEW GA



DETAIL GD

- NOTES:
- 8 MOUNT GPS ANTENNA TO THE RIGHT OF THE SATELLITE AS SHOWN. SECURE CABLE WITH ROOF SEALANT.
  - 7 REMOVE ALL SHIPPING RESTRAINTS AND FIRMLY INSERT THE SUPPLIED PLUGS INTO THE APPROPRIATE SIZED HOLES AS SPECIFIED IN THE INSTALLATION PROCESS.
  - 6 MOUNT GPS ANTENNA AS FAR TO THE REAR OF THE SATELLITE AS POSSIBLE. SECURE CABLE WITH ROOF SEALANT.
  - 5 SENSOR SUPPLIED WITH SATELLITE ASSEMBLY.
  - 4 FASTEN TO VENT.
  - 3 WRAP BRACKET LEGS AROUND ANTENNA BASE.
  - 2 ADD RUBBER BUMPERS TO ROOF UNDER EACH END OF ANTENNA TO PREVENT CONTACT WITH THE ROOF.
  - 1 SEE DWG 76319-01-000 FRO INSTALLATION OF TV ANTENNA.



VIEW GC

- 78K SATELLITE DISH-AUTOMATIC
- 48R SAT SYS IN-MOTION W/O RCVR
- 48Q SATELLITE DISH & ELEV.SENSOR
- 265 CODES/STANDARDS-CSA/CMVSS
- 25E STEREO SYSTEM W/CD REAR
- 1B1 CODES/STANDARDS USA

1B1 265

FOR ELECTRICAL TORQUE SPECIFICATIONS SEE DWG NO. 128783-01-000

FOR ELECTRICAL CALLOUTS SEE DWG NO. 121339-01-000

FIRST USED	
06 G38T	
DO NOT SCALE DRAWING	
TITLE: WIRING INSTL-BODY, 12V	
SHEET 7	PART NO 154447 REV