

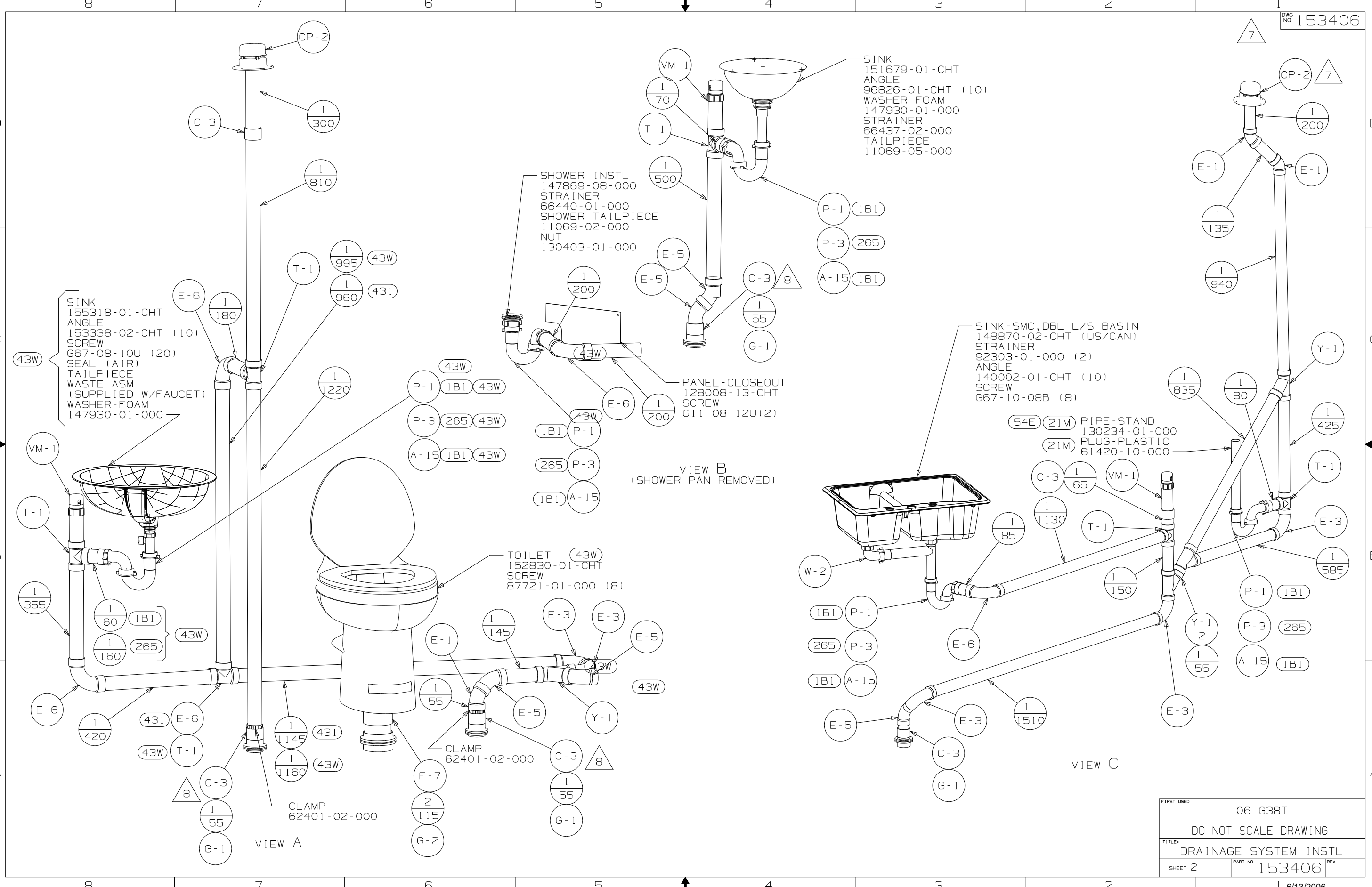
FRONT OF VEHICLE

- (265) CODES/STANDARDS - CSA/CMVSS
- (1B1) CODES/STANDARDS - USA
- (430) TOILET - PORCELAIN

- NOTES:
1. SLOPE OF HORIZONTAL PIPING TO BE 6 PER 305 mm.
 2. SLOPE OF TRAP ARM MUST BE 6 PER 305 mm.
 3. ALL PIPE AND FITTINGS TO BE ASSEMBLED WITH SOLVENT 4020-01-000 (US), 4020-02-000 (CAN)..
 4. ALL EXTERIOR OPENINGS AROUND PIPE TO BE SEALED WITH 100744-01-000.
 5. SEAL AROUND SHOWER WITH SILICONE.
 6. ROF CANADIAN UNITS EACH HOLDING TANK SHALL HAVE A CSA APPROVAL STAMPED NEAR THE IAMPO APPROVAL.
 7. VENT PIPE MUST PROJECT 51 MIN AND 64 MAX ABOVE ROOF FOR PROPER FIT AND FUNCTION.
 8. SECURE VENT TUBES TO FLOOR WITH BRACKET 136878-01-CHT (3) CLAMP 62401-02-000 (3), SCREW G67-10-12B (3).

FOR DRAINAGE CALLOUTS SEE DWG NO. 116229-01-000

WINNEBAGO		COPYRIGHT 2006 WINNEBAGO INDUSTRIES, INC.	
DFTR	ORIG. DATE	ALL DIMENSIONS ARE IN MILLIMETERS	
CHKR		FIRST USED	
P.E.		06 G38T	
M.E.		UNSPECIFIED TOLERANCES ARE:	
DSNR		MATERIAL:	
		WHOLE DIM (X)	: 3
		ONE-PLACE (X.X)	:
		TWO-PLACE (X.XX)	:
		ANGLE	:
THIRD ANGLE PROJECTION		DO NOT SCALE DRAWING	
TITLE: DRAINAGE SYSTEM INSTL			
SHEET 1 OF 3	PART NO	153406	REV



SINK
 155318-01-CHT
 ANGLE
 153338-02-CHT (10)
 SCREW
 G67-08-10U (20)
 SEAL (AIR)
 TAILPIECE
 WASTE ASM
 (SUPPLIED W/FAUCET)
 WASHER-FOAM
 147930-01-000

SINK
 151679-01-CHT
 ANGLE
 96826-01-CHT (10)
 WASHER FOAM
 147930-01-000
 STRAINER
 66437-02-000
 TAILPIECE
 11069-05-000

SHOWER INSTL
 147869-08-000
 STRAINER
 66440-01-000
 SHOWER TAILPIECE
 11069-02-000
 NUT
 130403-01-000

SINK-SMC, DBL L/S BASIN
 148870-02-CHT (US/CAN)
 STRAINER
 92303-01-000 (2)
 ANGLE
 140002-01-CHT (10)
 SCREW
 G67-10-08B (8)

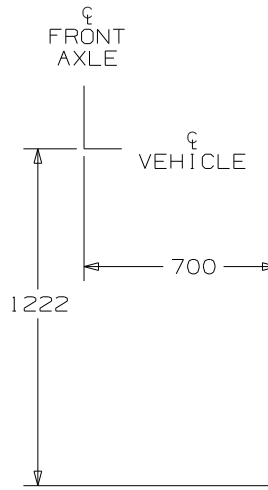
TOILET
 152830-01-CHT
 SCREW
 87721-01-000 (8)

VIEW A

VIEW B
(SHOWER PAN REMOVED)

VIEW C

FIRST USED	06 G38T		
TITLE	DO NOT SCALE DRAWING		
	DRAINAGE SYSTEM INSTL		
SHEET 2	PART NO	153406	REV



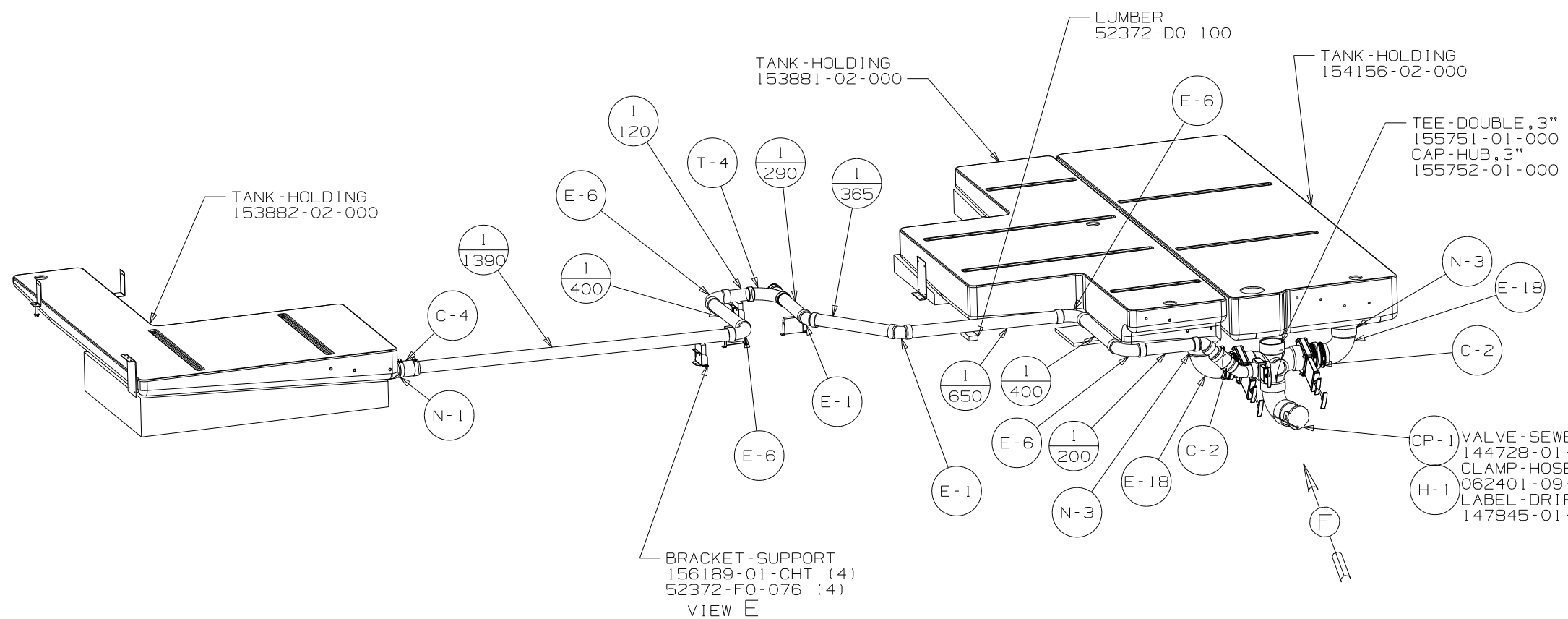
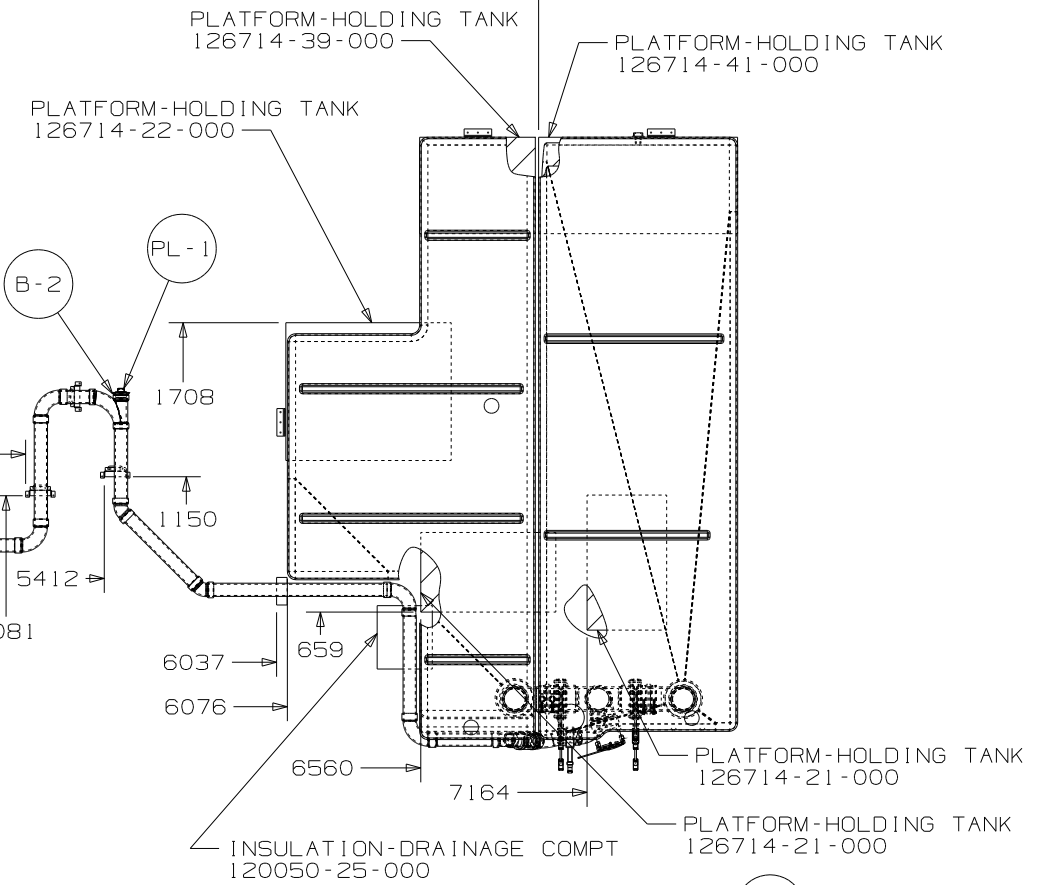
STRAP ASM-SUPPORT, TANK
156226-01-CHT
SCREW
G39-10-10U(3)
BOLT
C26-06-28U

STRAP-SUPPORT, TANK
156225-01-CHT
SCREW
G39-10-10U(3)

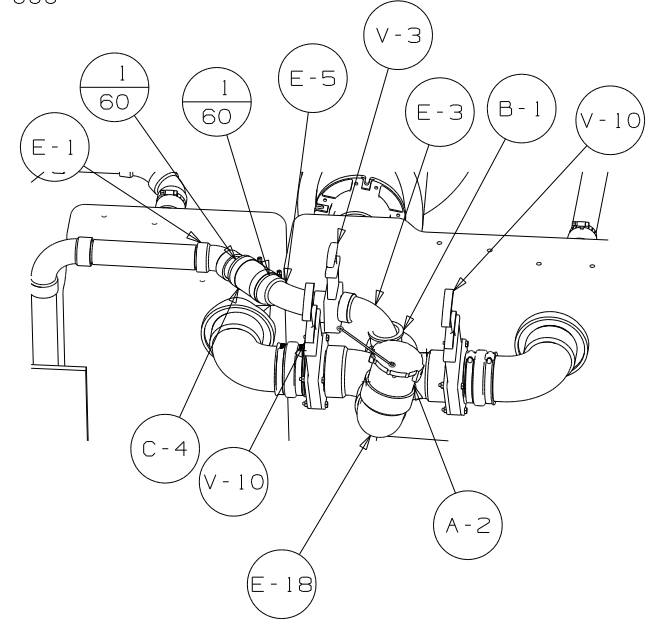
PLATFORM-HOLDING TANK
126714-40-000

BRACKET
94756-02-CHT (5)

VIEW D



VIEW E

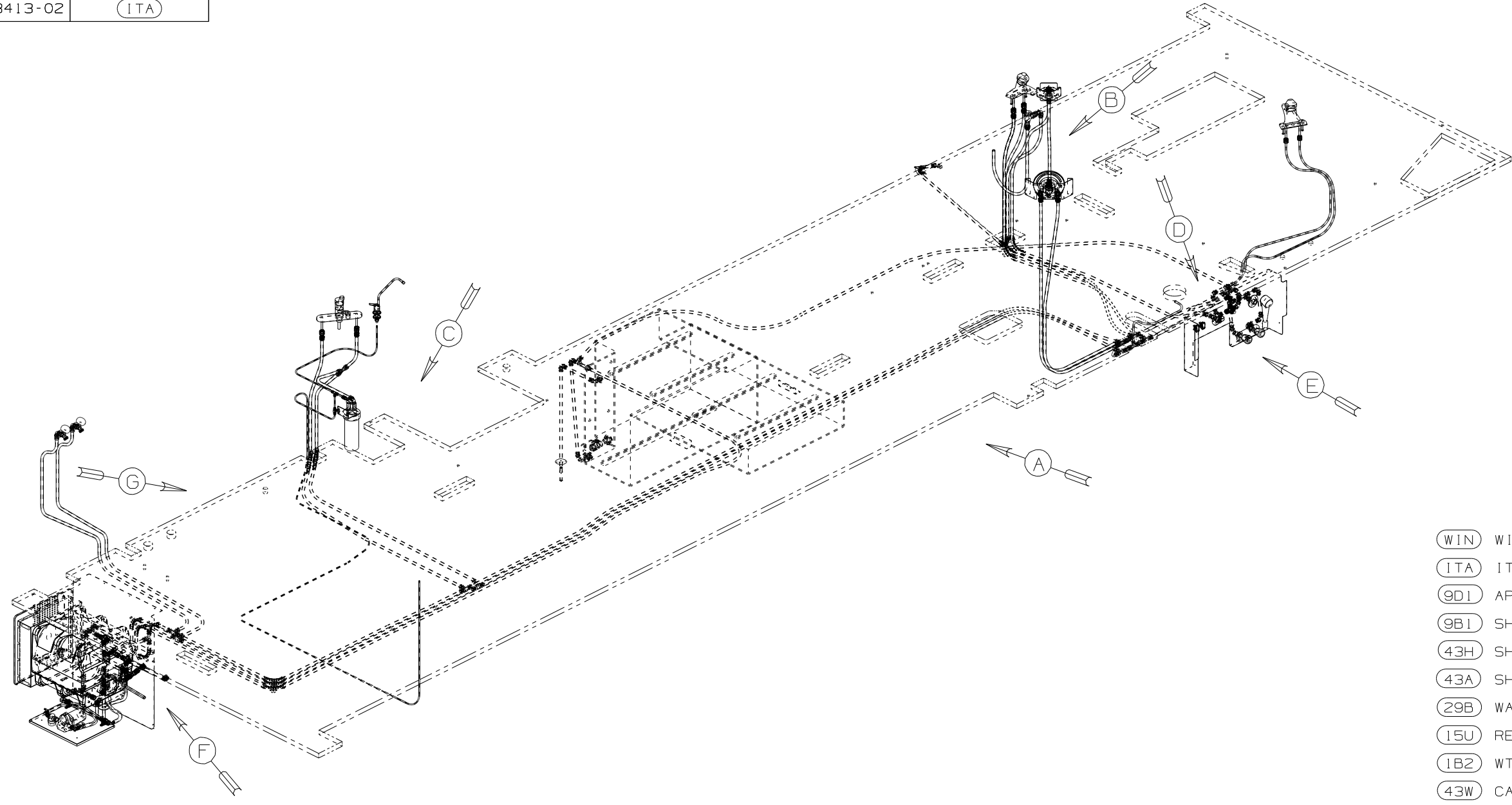


VIEW F

FIRST USED	06 G38T	
TITLE	DO NOT SCALE DRAWING	
	DRAINAGE SYSTEM INSTL	
SHEET 3	PART NO	153406
	REV	

DWG NO	----
153413-01	(WIN)
153413-02	(ITA)

RELEASE	REV DATE	DWG NO
A		153413
REV ZONE	REVISION RECORD	DATE DFR-ORIG



- (WIN) WINNEBAGO ONLY
- (ITA) ITASCA ONLY
- (9D1) APPLIANCE PKG-STAINLESS STEEL
- (9B1) SHOWER PACKAGE
- (43H) SHOWER HEAD-HAND HELD
- (43A) SHOWER HEAD-FIXED
- (29B) WATER PURIFIER
- (15U) REFRIGERATOR/FRZR W/ICEMAKER
- (1B2) WTR HTR-10 GAL/ELEC/LP/MTR AID
- (43W) CABINET-LAVATORY
- (43I) CABINET-LAVATORY/WITHOUT

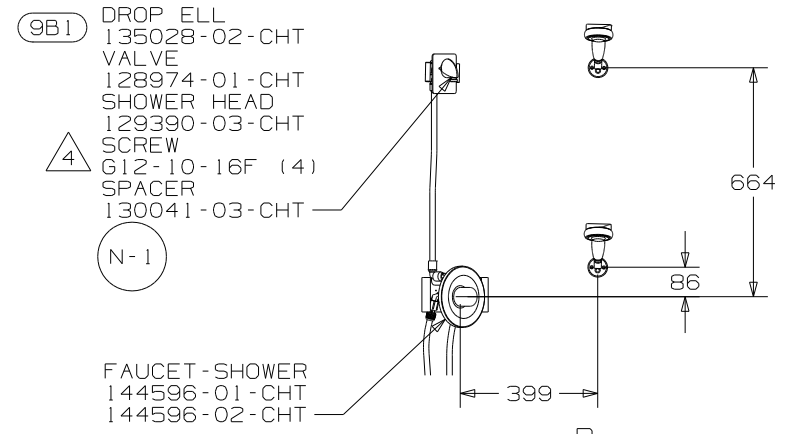
- ▲ 7 ADD PIPE WRAP (LADDER SCRAP) INSULATION HERE.
- ▲ 6 ADD TEFLON TAPE 10405-01-000.
- ▲ 5 ADD TEFLON TAPE 10405-02-000.
- ▲ 4 USED IN PLACE OF SUPPLIED SCREWS TO ATTACHED BRACKET TO WALL..

3. ALL TUBING TO BE SECURED AT 1200 INTERVALS MAXIMUM WITH CLAMP 10495-01-000 OR CLIP 9151-01-000 AND SCREW G67-10-12B.
2. TUBING TO BE INSTALLED WITH SUFFICIENT SLOPE TO PROVIDE DRAINAGE TO NEAREST VALVE.
1. PLASTIC FITTINGS TO BE SEALED WITH SEALANT 84456-01-000.

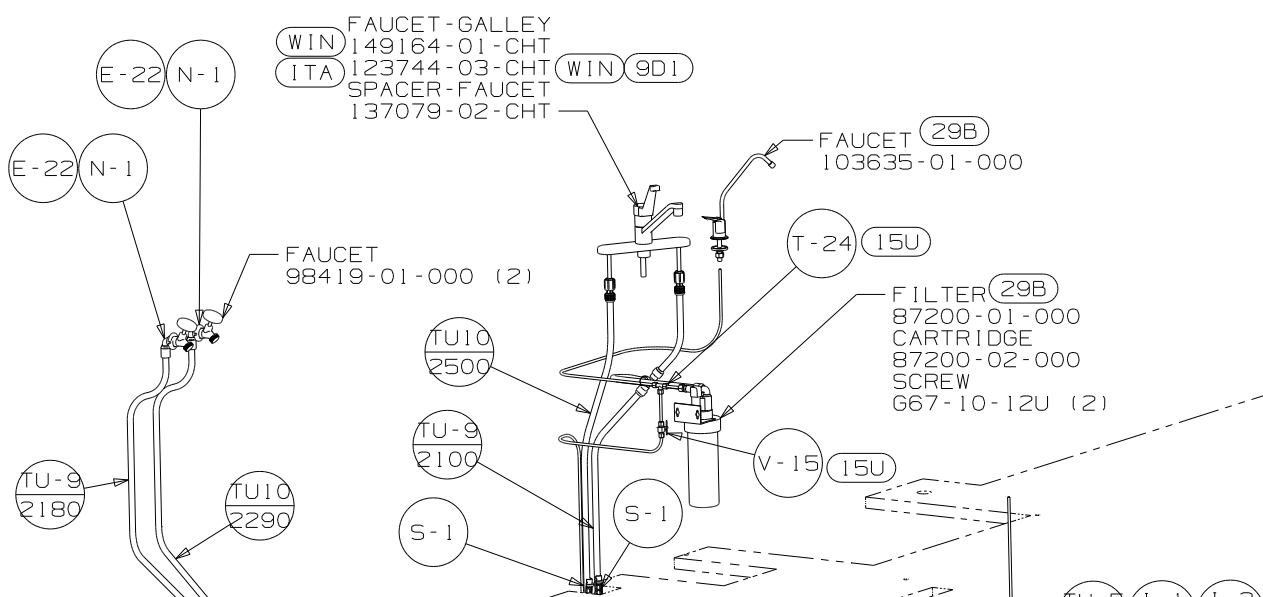
NOTES:

(X-X)
FOR WATER CALLOUTS SEE DWG NO 116230-01-000

WINNEBAGO		COPYRIGHT 2006 WINNEBAGO INDUSTRIES, INC.	
DFTR	ORIG. DATE	ALL DIMENSIONS ARE IN MILLIMETERS	
CHKR		MATERIAL:	
P.E.		UNSPECIFIED TOLERANCES ARE:	
M.E.	FIRST USED	WHOLE DIM (X)	: 7
DSNR	06 G38T	ONE-PLACE (X.X)	: 1.5
		TWO-PLACE (X.XX)	: 0.50
		ANGLE	: 1°
THIRD ANGLE PROJECTION		DO NOT SCALE DRAWING	
TITLE: WATER SYSTEM INSTL			
SHEET 1 OF 4	PART NO 153413	REV	
REF	1 6/13/2006		

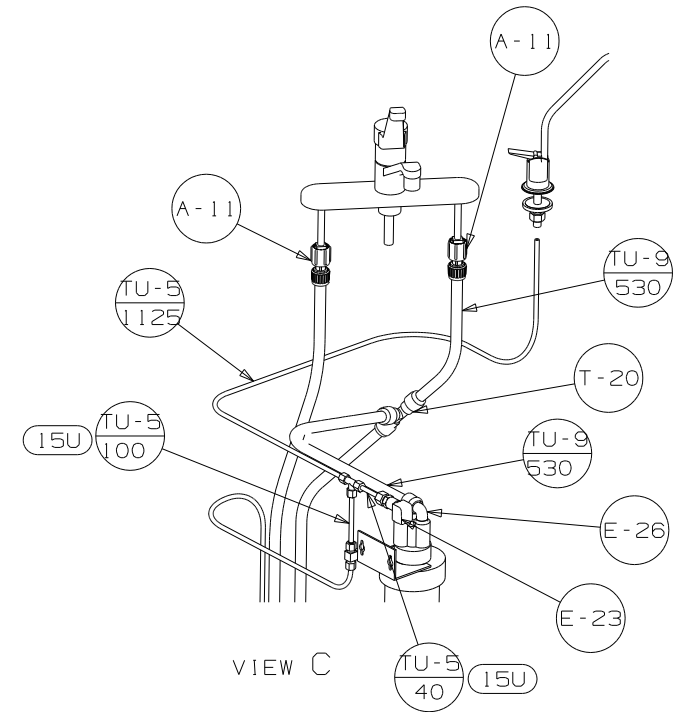
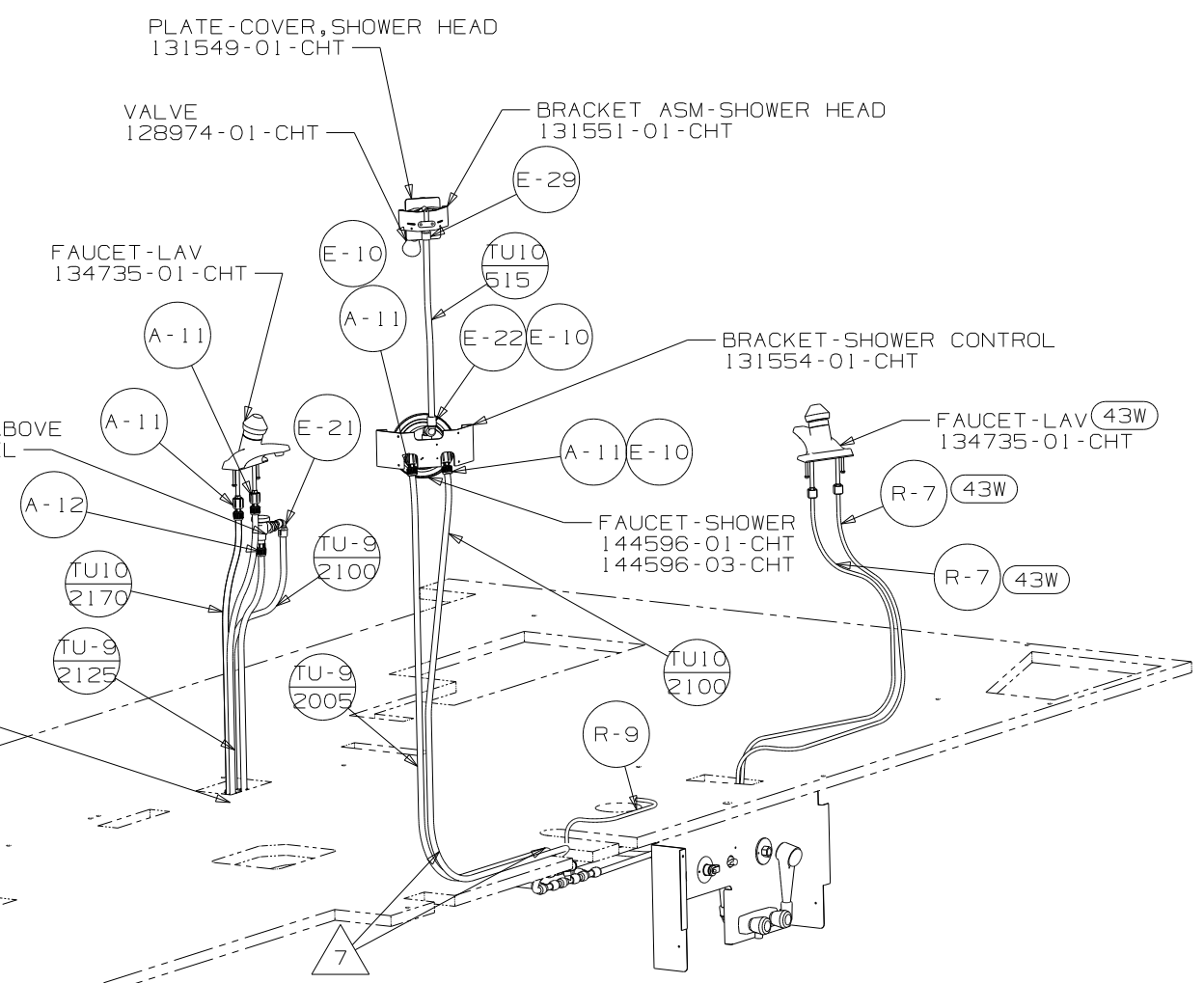


VIEW B
9B1 43H



VIEW A

BREAKER-VACUUM
125697-04-000
MUST BE MOUNTED ABOVE
TOILET FLOOD LEVEL



VIEW C

FIRST USED	06 G38T	
TITLE	DO NOT SCALE DRAWING	
TITLE	WATER SYSTEM INSTL	
SHEET 2	PART NO	153413
	REV	

PANEL-SERVICE CENTER
136034-11-CHT

INLET-WATER,FLUSHING SYSTEM
125697-05-000

WATER HEATER
145541-01-000
DOOR
125420-03-CHT
BUMPER INSTL
146507-01-000

PANEL ASM-WATER PUMP
149476-03-XXX

PANEL-VALVE
149497-07-CHT

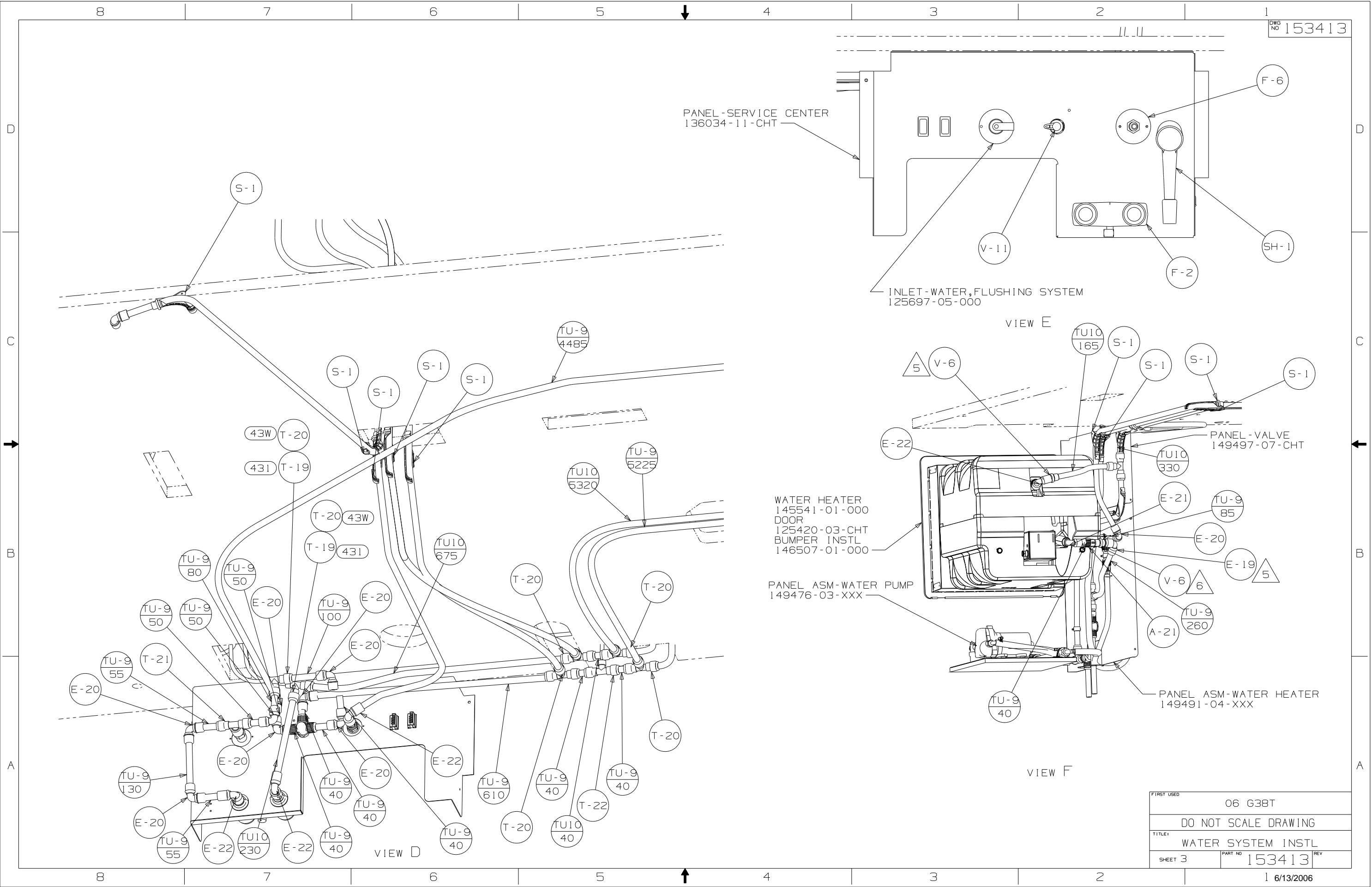
PANEL ASM-WATER HEATER
149491-04-XXX

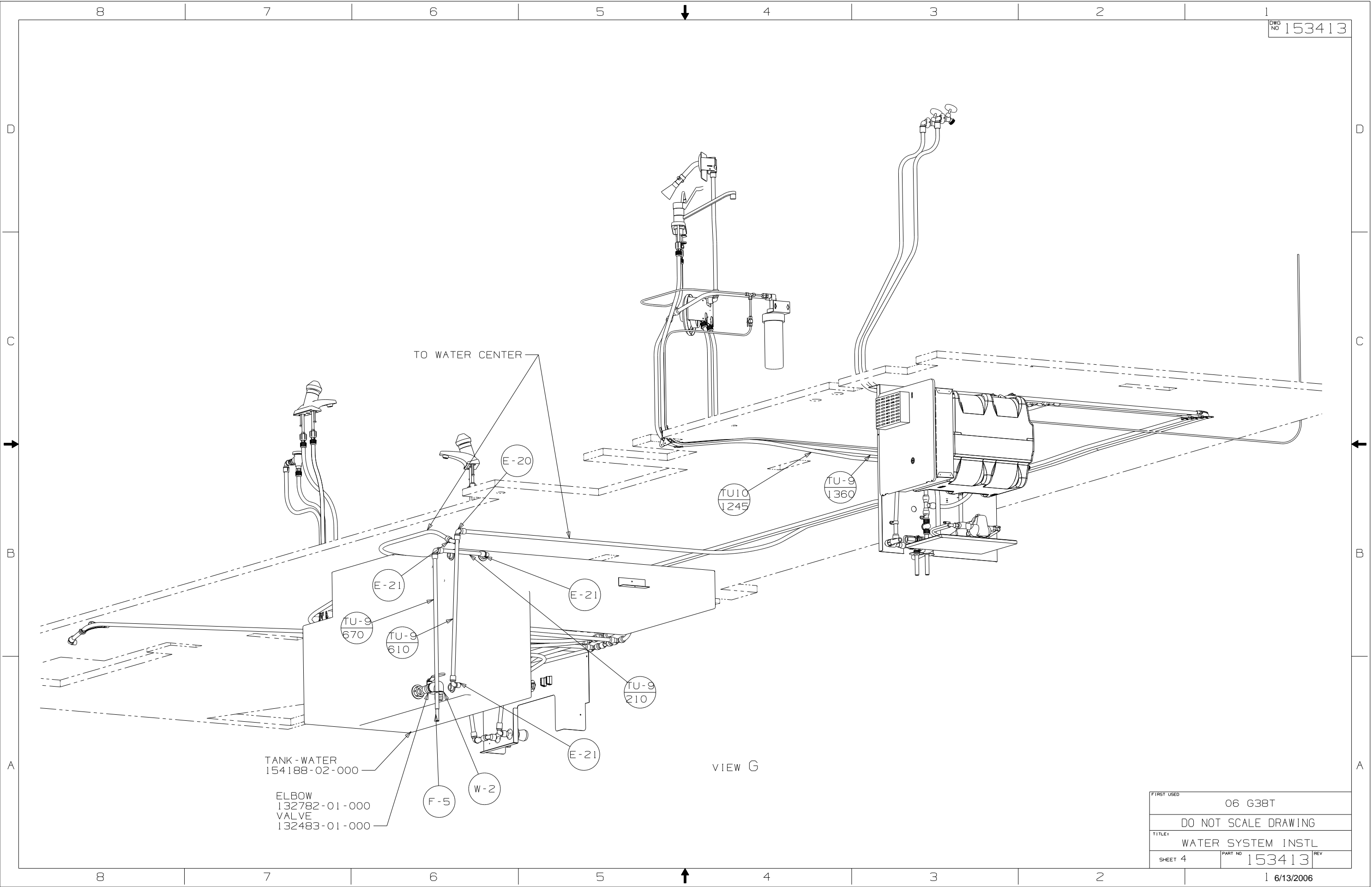
VIEW E

VIEW F

VIEW D

FIRST USED	06 G38T		
TITLE	DO NOT SCALE DRAWING		
TITLE	WATER SYSTEM INSTL		
SHEET 3	PART NO	153413	REV





TO WATER CENTER

E-20

TU-10
1245

TU-9
1360

E-21

E-21

TU-9
670

TU-9
610

TU-9
210

E-21

TANK-WATER
154188-02-000

F-5

W-2

ELBOW
132782-01-000
VALVE
132483-01-000

VIEW G

FIRST USED	06 G38T	
DO NOT SCALE DRAWING		
TITLE	WATER SYSTEM INSTL	
SHEET 4	PART NO	153413
REV		