



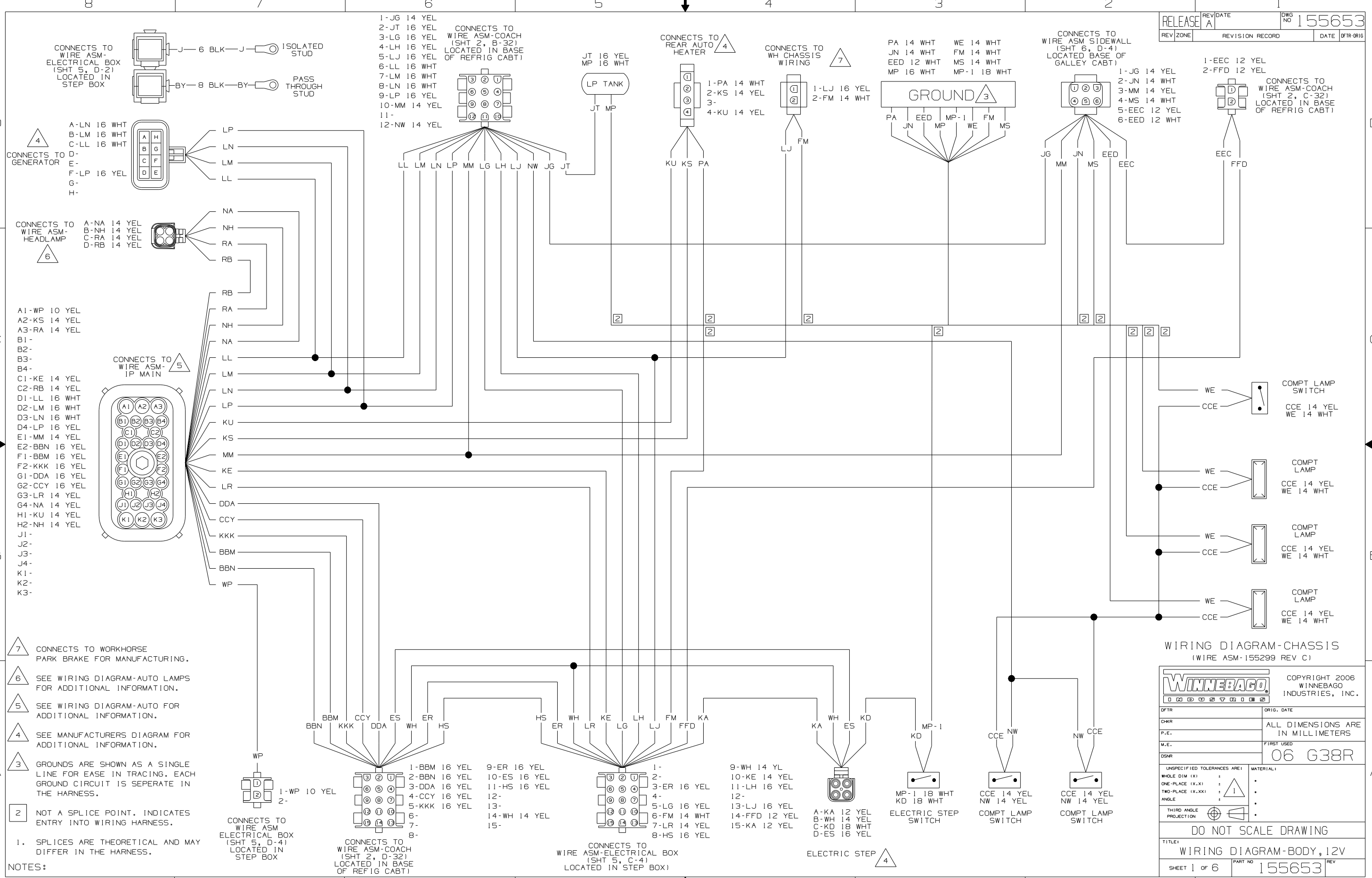
DANGER

Danger of electrical shock, burns or death. Always remove all power sources before attempting any repair, service or diagnostic work. Power can be present from shore power, generator, inverter or battery. All power sources must be disabled and secured before performing any service.



CAUTION

If you lack the skills, tools or equipment to perform diagnostic or repair work leave such work to an authorized Winnebago Industries dealer or other qualified shop.



- NOTES:
- 1. SPLICES ARE THEORETICAL AND MAY DIFFER IN THE HARNESS.
 - 2. NOT A SPLICE POINT. INDICATES ENTRY INTO WIRING HARNESS.
 - 3. GROUNDS ARE SHOWN AS A SINGLE LINE FOR EASE IN TRACING. EACH GROUND CIRCUIT IS SEPERATE IN THE HARNESS.
 - 4. SEE MANUFACTURERS DIAGRAM FOR ADDITIONAL INFORMATION.
 - 5. SEE WIRING DIAGRAM-AUTO FOR ADDITIONAL INFORMATION.
 - 6. SEE WIRING DIAGRAM-AUTO LAMPS FOR ADDITIONAL INFORMATION.
 - 7. CONNECTS TO WORKHORSE PARK BRAKE FOR MANUFACTURING.

WIRING DIAGRAM-CHASSIS
 (WIRE ASM-155299 REV C)

WINNEBAGO COPYRIGHT 2006 WINNEBAGO INDUSTRIES, INC.

DFTR	ORIG. DATE
CHKR	ALL DIMENSIONS ARE IN MILLIMETERS
P.E.	FIRST USED
M.E.	06 G38R
DSNR	

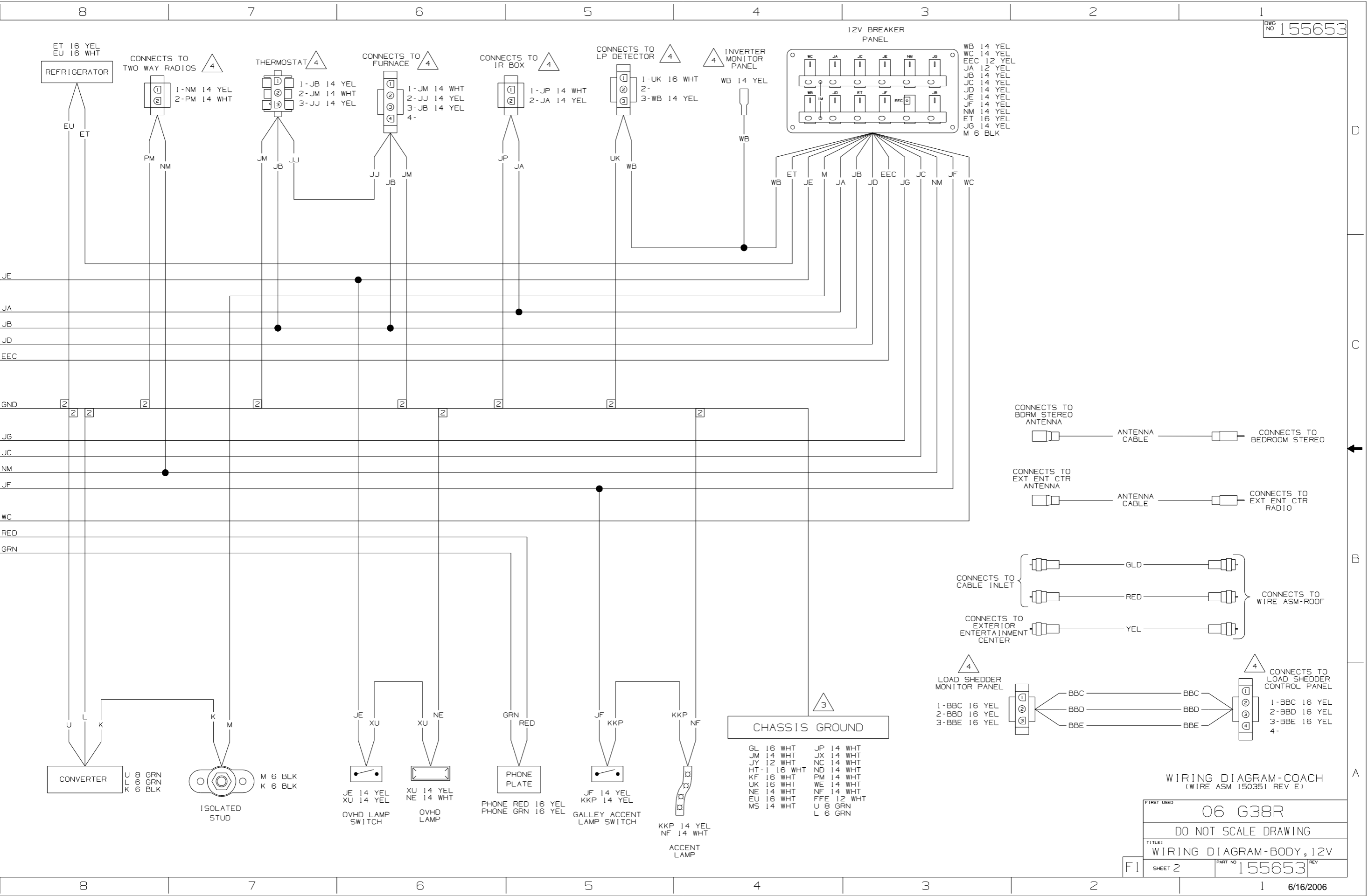
UNSPECIFIED TOLERANCES ARE:
 WHOLE DIM (X) :
 ONE-PLACE (X.X) :
 TWO-PLACE (X.XX) :
 ANGLE :
 THIRD ANGLE PROJECTION :

DO NOT SCALE DRAWING

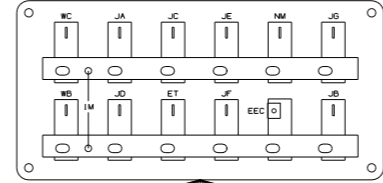
TITLE: **WIRING DIAGRAM-BODY, 12V**

SHEET 1 of 6 PART NO 155653 REV

REF: 1 6/16/2006



12V BREAKER PANEL



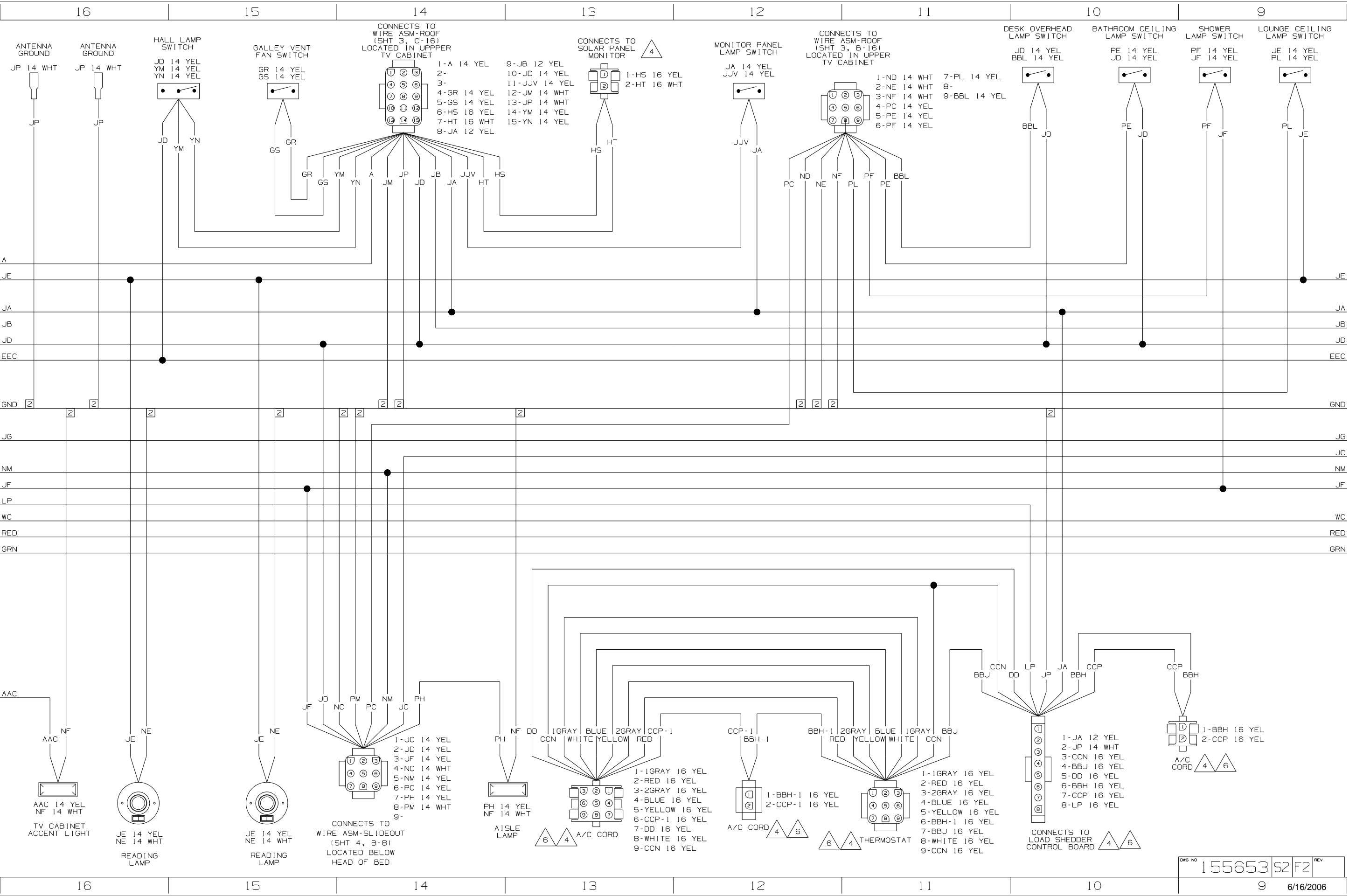
- WB 14 YEL
- WC 14 YEL
- EEC 12 YEL
- JA 12 YEL
- JB 14 YEL
- JC 14 YEL
- JD 14 YEL
- JE 14 YEL
- JF 14 YEL
- NM 14 YEL
- ET 16 YEL
- JG 14 YEL
- M 6 BLK

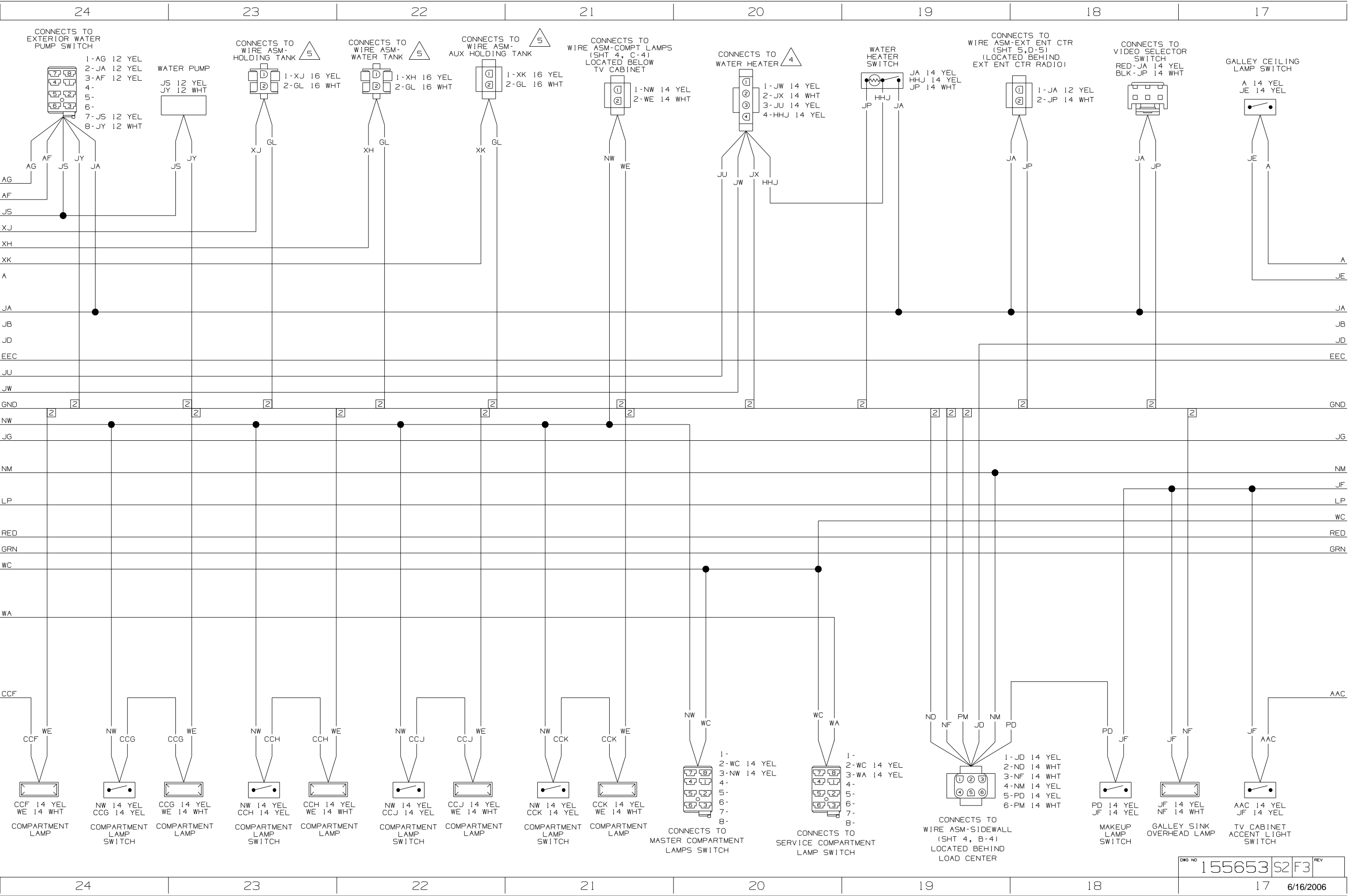
CHASSIS GROUND

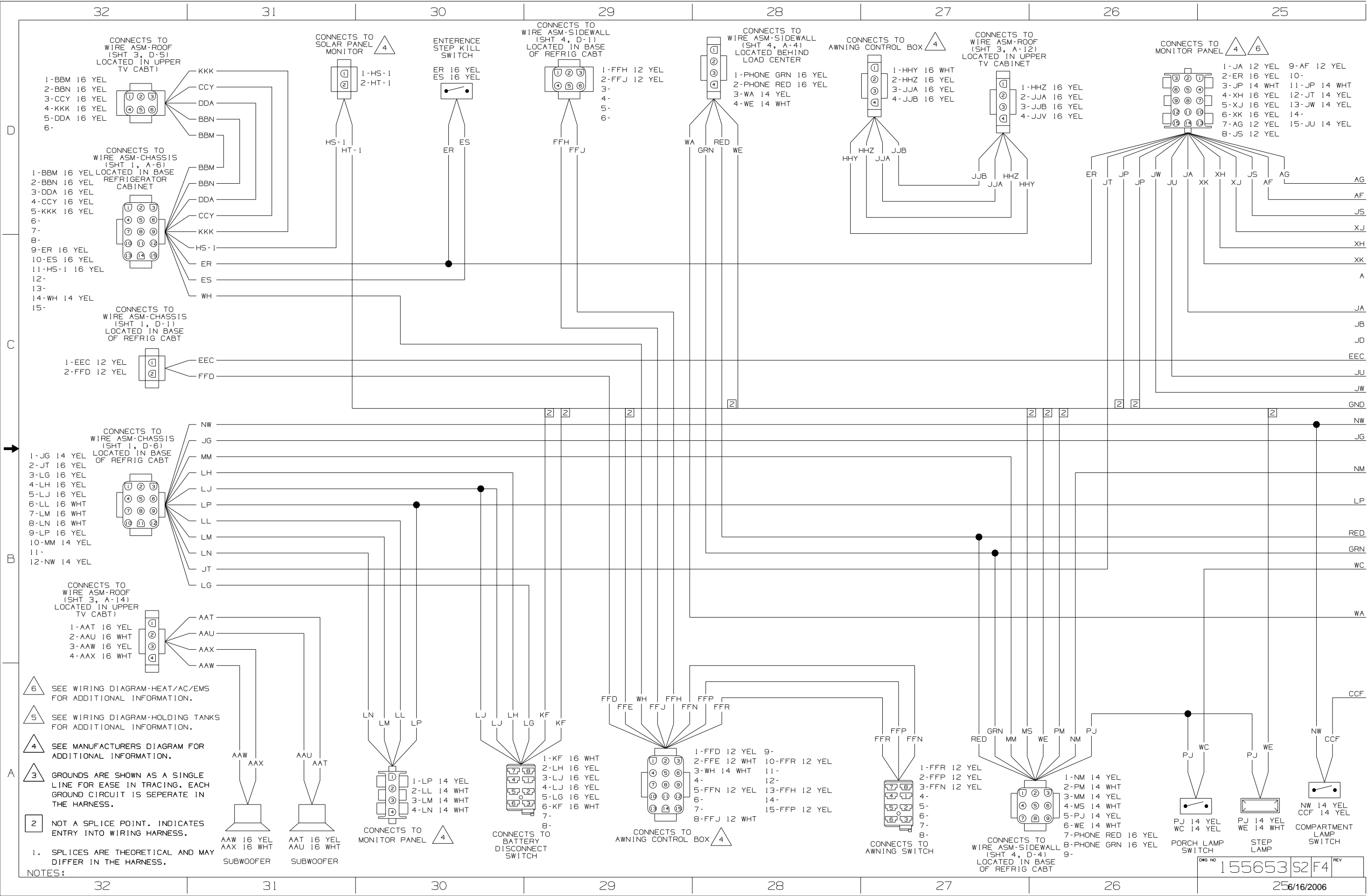
- GL 16 WHT
- JM 14 WHT
- JY 12 WHT
- HT-1 16 WHT
- KF 16 WHT
- UK 16 WHT
- NE 14 WHT
- EU 16 WHT
- MS 14 WHT
- JP 14 WHT
- JX 14 WHT
- NC 14 WHT
- ND 14 WHT
- PM 14 WHT
- WE 14 WHT
- NF 14 WHT
- FFE 12 WHT
- U 8 GRN
- L 6 GRN

WIRING DIAGRAM-COACH (WIRE ASM 150351 REV E)

FIRST USED	06 G38R	
TITLE	DO NOT SCALE DRAWING	
	WIRING DIAGRAM-BODY, 12V	
F1 SHEET 2	PART NO	155653 REV







CONNECTS TO WIRE ASM-ROOF (SHT 3, D-5) LOCATED IN UPPER TV CABT)

1-BBM 16 YEL
2-BBN 16 YEL
3-CCY 16 YEL
4-KKK 16 YEL
5-DDA 16 YEL
6-

CONNECTS TO WIRE ASM-CHASSIS (SHT 1, A-6) LOCATED IN BASE REFRIGERATOR CABINET

1-BBM 16 YEL
2-BBN 16 YEL
3-DDA 16 YEL
4-CCY 16 YEL
5-KKK 16 YEL
6-
7-
8-
9-ER 16 YEL
10-ES 16 YEL
11-HS-1 16 YEL
12-
13-
14-WH 14 YEL
15-

CONNECTS TO WIRE ASM-CHASSIS (SHT 1, D-1) LOCATED IN BASE OF REFRIG CABT

1-EEC 12 YEL
2-FFD 12 YEL

CONNECTS TO WIRE ASM-CHASSIS (SHT 1, D-6) LOCATED IN BASE OF REFRIG CABT

1-JG 14 YEL
2-JT 16 YEL
3-LG 16 YEL
4-LH 16 YEL
5-LJ 16 YEL
6-LL 16 WHT
7-LM 16 WHT
8-LN 16 WHT
9-LP 16 YEL
10-MM 14 YEL
11-
12-NW 14 YEL

CONNECTS TO WIRE ASM-ROOF (SHT 3, A-14) LOCATED IN UPPER TV CABT)

1-AAT 16 YEL
2-AAU 16 WHT
3-AAW 16 YEL
4-AAX 16 WHT

SEE WIRING DIAGRAM-HEAT/AC/EMS FOR ADDITIONAL INFORMATION.

SEE WIRING DIAGRAM-HOLDING TANKS FOR ADDITIONAL INFORMATION.

SEE MANUFACTURERS DIAGRAM FOR ADDITIONAL INFORMATION.

3 GROUND ARE SHOWN AS A SINGLE LINE FOR EASE IN TRACING. EACH GROUND CIRCUIT IS SEPERATE IN THE HARNESS.

2 NOT A SPLICE POINT. INDICATES ENTRY INTO WIRING HARNESS.

1. SPLICES ARE THEORETICAL AND MAY DIFFER IN THE HARNESS.

NOTES:

CONNECTS TO SOLAR PANEL MONITOR

1-HS-1
2-HT-1

HS-1
HT-1

CONNECTS TO MONITOR PANEL

1-LP 14 YEL
2-LL 14 WHT
3-LM 14 WHT
4-LN 14 WHT

CONNECTS TO BATTERY DISCONNECT SWITCH

1-KF 16 WHT
2-LH 16 YEL
3-LJ 16 YEL
4-LJ 16 YEL
5-LG 16 YEL
6-KF 16 WHT
7-
8-

CONNECTS TO WIRE ASM-SIDEWALL (SHT 4, D-1) LOCATED IN BASE OF REFRIG CABT

1-FFH 12 YEL
2-FFJ 12 YEL
3-
4-
5-
6-
7-
8-

ENTERENCE STEP KILL SWITCH

ER 16 YEL
ES 16 YEL

ER
ES

CONNECTS TO AWNING CONTROL BOX

1-FFD 12 YEL
2-FFE 12 WHT
3-WH 14 WHT
4-
5-FFN 12 YEL
6-
7-
8-FFJ 12 WHT

CONNECTS TO AWNING SWITCH

1-FFR 12 YEL
2-FFP 12 YEL
3-FFN 12 YEL
4-
5-
6-
7-
8-
9-

CONNECTS TO WIRE ASM-SIDEWALL (SHT 4, A-4) LOCATED BEHIND LOAD CENTER

1-PHONE GRN 16 YEL
2-PHONE RED 16 YEL
3-WA 14 YEL
4-WE 14 WHT

CONNECTS TO WIRE ASM-ROOF (SHT 3, A-12) LOCATED IN UPPER TV CABINET

1-HHZ 16 YEL
2-JJA 16 YEL
3-JJB 16 YEL
4-JJV 16 YEL

HHZ
JJA
JJB
JJV

CONNECTS TO WIRE ASM-SIDEWALL (SHT 4, D-4) LOCATED IN BASE OF REFRIG CABT

1-NM 14 YEL
2-PM 14 WHT
3-MM 14 YEL
4-MS 14 WHT
5-PJ 14 YEL
6-WE 14 WHT
7-PHONE RED 16 YEL
8-PHONE GRN 16 YEL
9-

CONNECTS TO MONITOR PANEL

1-JA 12 YEL
2-ER 16 YEL
3-JP 14 WHT
4-XH 16 YEL
5-XJ 16 YEL
6-XK 16 YEL
7-AG 12 YEL
8-JS 12 YEL
9-AF 12 YEL
10-
11-JP 14 WHT
12-JT 14 YEL
13-JW 14 YEL
14-
15-JU 14 YEL

CONNECTS TO WIRE ASM-ROOF (SHT 3, A-14) LOCATED IN UPPER TV CABT)

1-AAT 16 YEL
2-AAU 16 WHT
3-AAW 16 YEL
4-AAX 16 WHT

CONNECTS TO AWNING CONTROL BOX

1-HHY 16 WHT
2-HHZ 16 YEL
3-JJA 16 YEL
4-JJB 16 YEL

HHY
HHZ
JJA
JJB

CONNECTS TO WIRE ASM-SIDEWALL (SHT 4, D-4) LOCATED IN BASE OF REFRIG CABT

1-NM 14 YEL
2-PM 14 WHT
3-MM 14 YEL
4-MS 14 WHT
5-PJ 14 YEL
6-WE 14 WHT
7-PHONE RED 16 YEL
8-PHONE GRN 16 YEL
9-

CONNECTS TO MONITOR PANEL

1-JA 12 YEL
2-ER 16 YEL
3-JP 14 WHT
4-XH 16 YEL
5-XJ 16 YEL
6-XK 16 YEL
7-AG 12 YEL
8-JS 12 YEL
9-AF 12 YEL
10-
11-JP 14 WHT
12-JT 14 YEL
13-JW 14 YEL
14-
15-JU 14 YEL

CONNECTS TO WIRE ASM-ROOF (SHT 3, A-14) LOCATED IN UPPER TV CABT)

1-AAT 16 YEL
2-AAU 16 WHT
3-AAW 16 YEL
4-AAX 16 WHT

CONNECTS TO WIRE ASM-SIDEWALL (SHT 4, D-1) LOCATED IN BASE OF REFRIG CABT

1-FFH 12 YEL
2-FFJ 12 YEL
3-
4-
5-
6-
7-
8-

FFH
FFJ

CONNECTS TO AWNING CONTROL BOX

1-FFD 12 YEL
2-FFE 12 WHT
3-WH 14 WHT
4-
5-FFN 12 YEL
6-
7-
8-FFJ 12 WHT

CONNECTS TO AWNING SWITCH

1-FFR 12 YEL
2-FFP 12 YEL
3-FFN 12 YEL
4-
5-
6-
7-
8-
9-

CONNECTS TO WIRE ASM-SIDEWALL (SHT 4, D-4) LOCATED IN BASE OF REFRIG CABT

1-PHONE GRN 16 YEL
2-PHONE RED 16 YEL
3-WA 14 YEL
4-WE 14 WHT

CONNECTS TO WIRE ASM-ROOF (SHT 3, A-12) LOCATED IN UPPER TV CABINET

1-HHZ 16 YEL
2-JJA 16 YEL
3-JJB 16 YEL
4-JJV 16 YEL

HHZ
JJA
JJB
JJV

CONNECTS TO WIRE ASM-SIDEWALL (SHT 4, D-4) LOCATED IN BASE OF REFRIG CABT

1-NM 14 YEL
2-PM 14 WHT
3-MM 14 YEL
4-MS 14 WHT
5-PJ 14 YEL
6-WE 14 WHT
7-PHONE RED 16 YEL
8-PHONE GRN 16 YEL
9-

CONNECTS TO MONITOR PANEL

1-JA 12 YEL
2-ER 16 YEL
3-JP 14 WHT
4-XH 16 YEL
5-XJ 16 YEL
6-XK 16 YEL
7-AG 12 YEL
8-JS 12 YEL
9-AF 12 YEL
10-
11-JP 14 WHT
12-JT 14 YEL
13-JW 14 YEL
14-
15-JU 14 YEL

CONNECTS TO WIRE ASM-ROOF (SHT 3, A-14) LOCATED IN UPPER TV CABT)

1-AAT 16 YEL
2-AAU 16 WHT
3-AAW 16 YEL
4-AAX 16 WHT

CONNECTS TO WIRE ASM-SIDEWALL (SHT 4, D-1) LOCATED IN BASE OF REFRIG CABT

1-FFH 12 YEL
2-FFJ 12 YEL
3-
4-
5-
6-
7-
8-

FFH
FFJ

CONNECTS TO AWNING CONTROL BOX

1-FFD 12 YEL
2-FFE 12 WHT
3-WH 14 WHT
4-
5-FFN 12 YEL
6-
7-
8-FFJ 12 WHT

CONNECTS TO AWNING SWITCH

1-FFR 12 YEL
2-FFP 12 YEL
3-FFN 12 YEL
4-
5-
6-
7-
8-
9-

CONNECTS TO WIRE ASM-SIDEWALL (SHT 4, D-4) LOCATED IN BASE OF REFRIG CABT

1-PHONE GRN 16 YEL
2-PHONE RED 16 YEL
3-WA 14 YEL
4-WE 14 WHT

CONNECTS TO WIRE ASM-ROOF (SHT 3, A-12) LOCATED IN UPPER TV CABINET

1-HHZ 16 YEL
2-JJA 16 YEL
3-JJB 16 YEL
4-JJV 16 YEL

HHZ
JJA
JJB
JJV

CONNECTS TO WIRE ASM-SIDEWALL (SHT 4, D-4) LOCATED IN BASE OF REFRIG CABT

1-NM 14 YEL
2-PM 14 WHT
3-MM 14 YEL
4-MS 14 WHT
5-PJ 14 YEL
6-WE 14 WHT
7-PHONE RED 16 YEL
8-PHONE GRN 16 YEL
9-

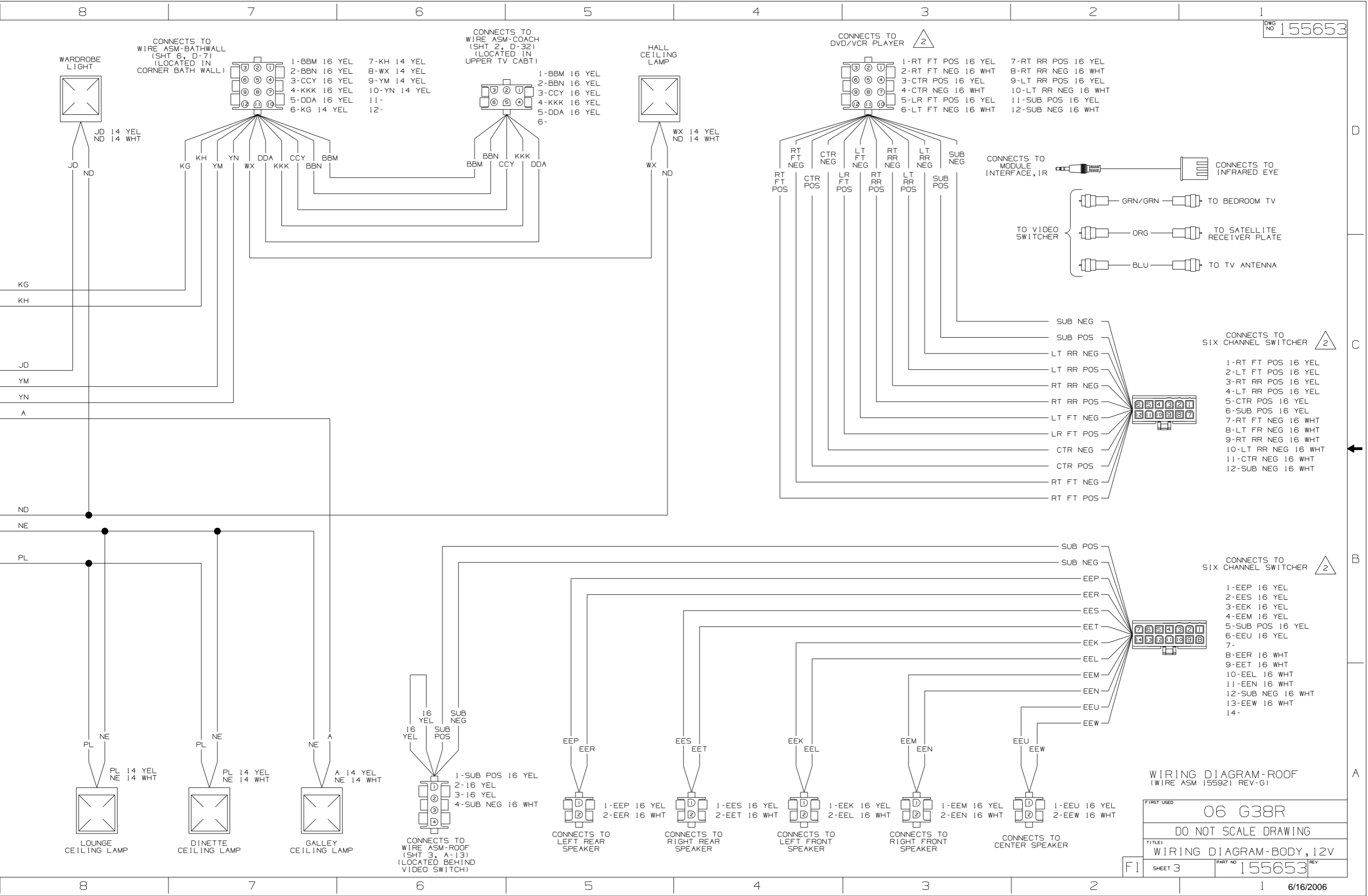
CONNECTS TO MONITOR PANEL

1-JA 12 YEL
2-ER 16 YEL
3-JP 14 WHT
4-XH 16 YEL
5-XJ 16 YEL
6-XK 16 YEL
7-AG 12 YEL
8-JS 12 YEL
9-AF 12 YEL
10-
11-JP 14 WHT
12-JT 14 YEL
13-JW 14 YEL
14-
15-JU 14 YEL

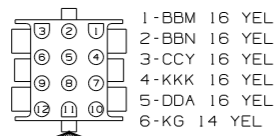
CONNECTS TO WIRE ASM-ROOF (SHT 3, A-14) LOCATED IN UPPER TV CABT)

1-AAT 16 YEL
2-AAU 16 WHT
3-AAW 16 YEL
4-AAX 16 WHT

155653 S2 F4 REV 256/16/2006

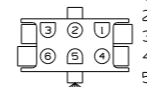


CONNECTS TO WIRE ASM-BATHWALL (SHT 6, D-7) (LOCATED IN CORNER BATH WALL)



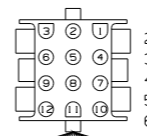
- 1-BBM 16 YEL
- 2-BBN 16 YEL
- 3-CCY 16 YEL
- 4-KKK 16 YEL
- 5-DDA 16 YEL
- 6-KG 14 YEL
- 7-KH 14 YEL
- 8-WX 14 YEL
- 9-YM 14 YEL
- 10-YN 14 YEL
- 11-
- 12-

CONNECTS TO WIRE ASM-COACH (SHT 2, D-32) (LOCATED IN UPPER TV CABT)



- 1-BBM 16 YEL
- 2-BBN 16 YEL
- 3-CCY 16 YEL
- 4-KKK 16 YEL
- 5-DDA 16 YEL
- 6-

CONNECTS TO DVD/VCR PLAYER



- 1-RT FT POS 16 YEL
- 2-RT FT NEG 16 WHT
- 3-CTR POS 16 YEL
- 4-CTR NEG 16 WHT
- 5-LR FT POS 16 YEL
- 6-LT FT NEG 16 WHT
- 7-RT RR POS 16 YEL
- 8-RT RR NEG 16 WHT
- 9-LT RR POS 16 YEL
- 10-LT RR NEG 16 WHT
- 11-SUB POS 16 YEL
- 12-SUB NEG 16 WHT

CONNECTS TO MODULE INTERFACE, IR



CONNECTS TO INFRARED EYE



TO VIDEO SWITCHER



TO BEDROOM TV

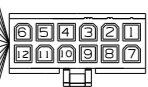


TO SATELLITE RECEIVER PLATE



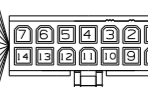
TO TV ANTENNA

CONNECTS TO SIX CHANNEL SWITCHER



- 1-RT FT POS 16 YEL
- 2-LT FT POS 16 YEL
- 3-RT RR POS 16 YEL
- 4-LT RR POS 16 YEL
- 5-CTR POS 16 YEL
- 6-SUB POS 16 YEL
- 7-RT FT NEG 16 WHT
- 8-LT FR NEG 16 WHT
- 9-RT RR NEG 16 WHT
- 10-LT RR NEG 16 WHT
- 11-CTR NEG 16 WHT
- 12-SUB NEG 16 WHT

CONNECTS TO SIX CHANNEL SWITCHER



- 1-EEP 16 YEL
- 2-EES 16 YEL
- 3-EEK 16 YEL
- 4-EEM 16 YEL
- 5-SUB POS 16 YEL
- 6-EEU 16 YEL
- 7-
- 8-EER 16 WHT
- 9-EET 16 WHT
- 10-EEL 16 WHT
- 11-EEN 16 WHT
- 12-SUB NEG 16 WHT
- 13-EEW 16 WHT
- 14-

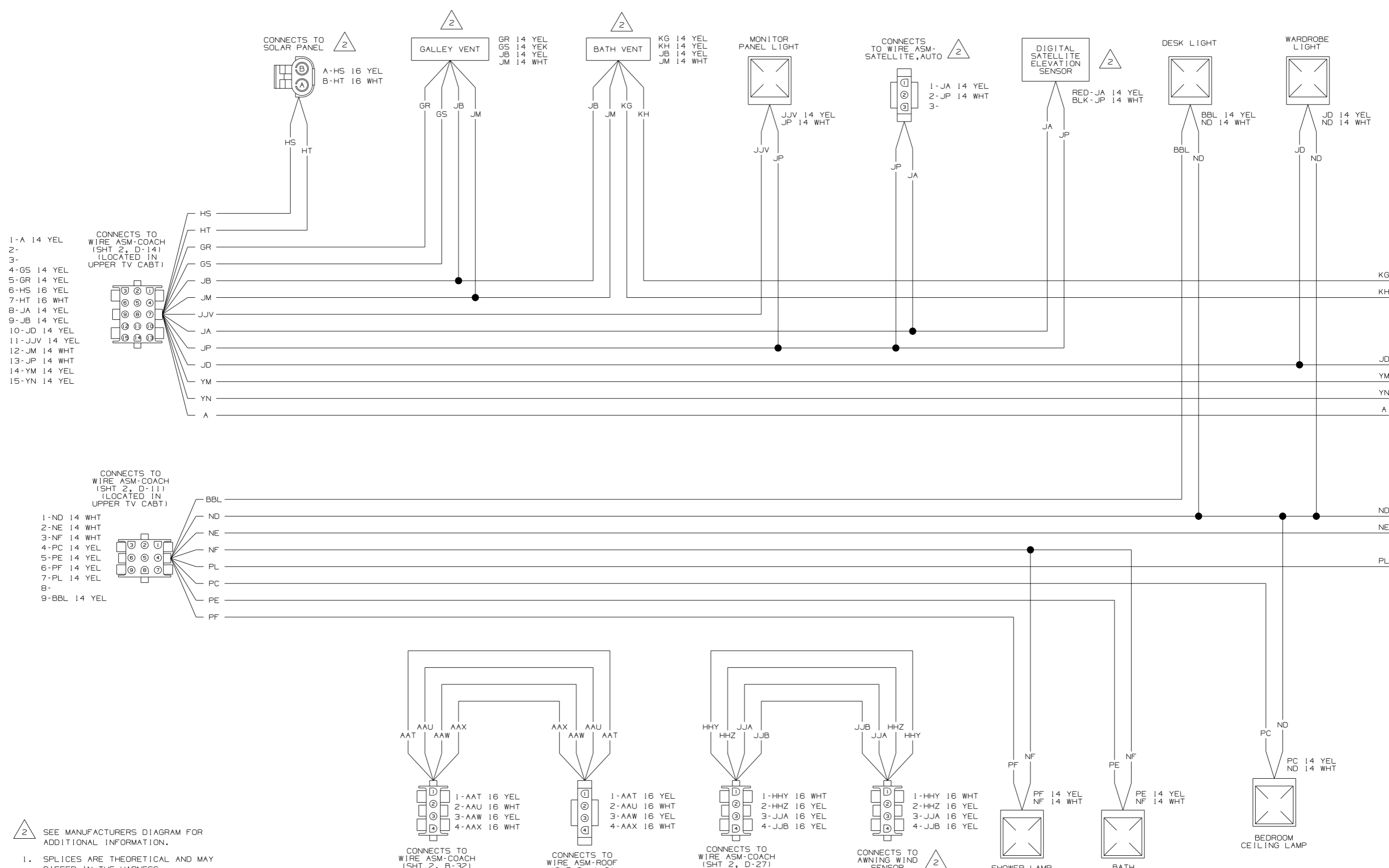
WIRING DIAGRAM-ROOF (WIRE ASM 155921 REV-G)

FIRST USED 06 G38R

DO NOT SCALE DRAWING

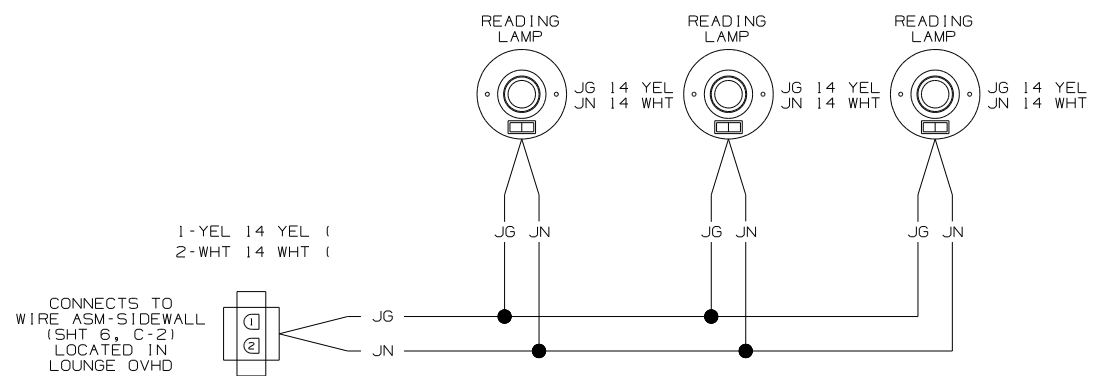
TITLE: WIRING DIAGRAM-BODY, 12V

SHEET 3 PART NO 155653

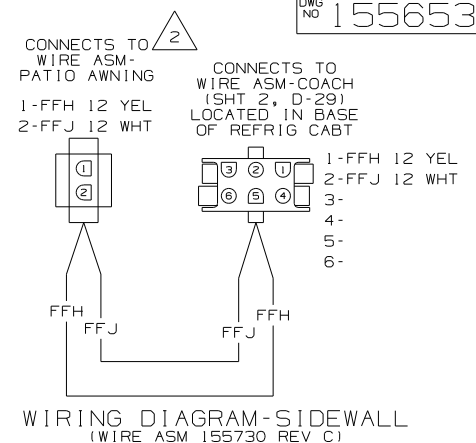
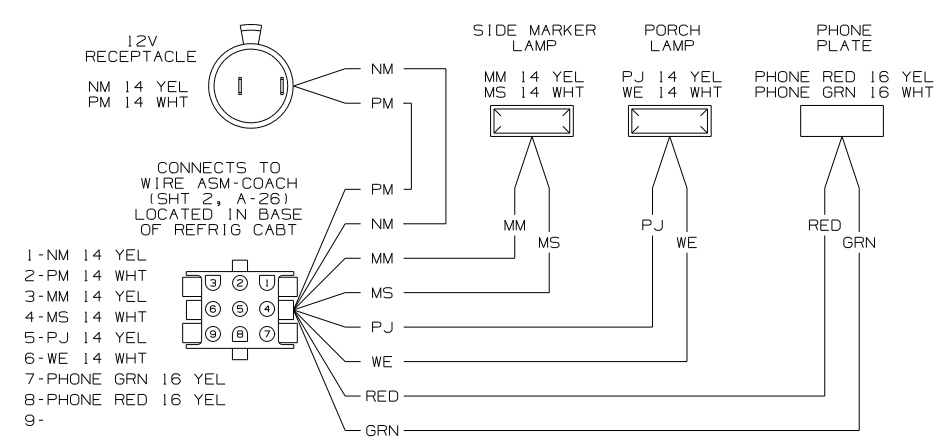


2 SEE MANUFACTURERS DIAGRAM FOR ADDITIONAL INFORMATION.
 1. SPLICES ARE THEORETICAL AND MAY DIFFER IN THE HARNESS.

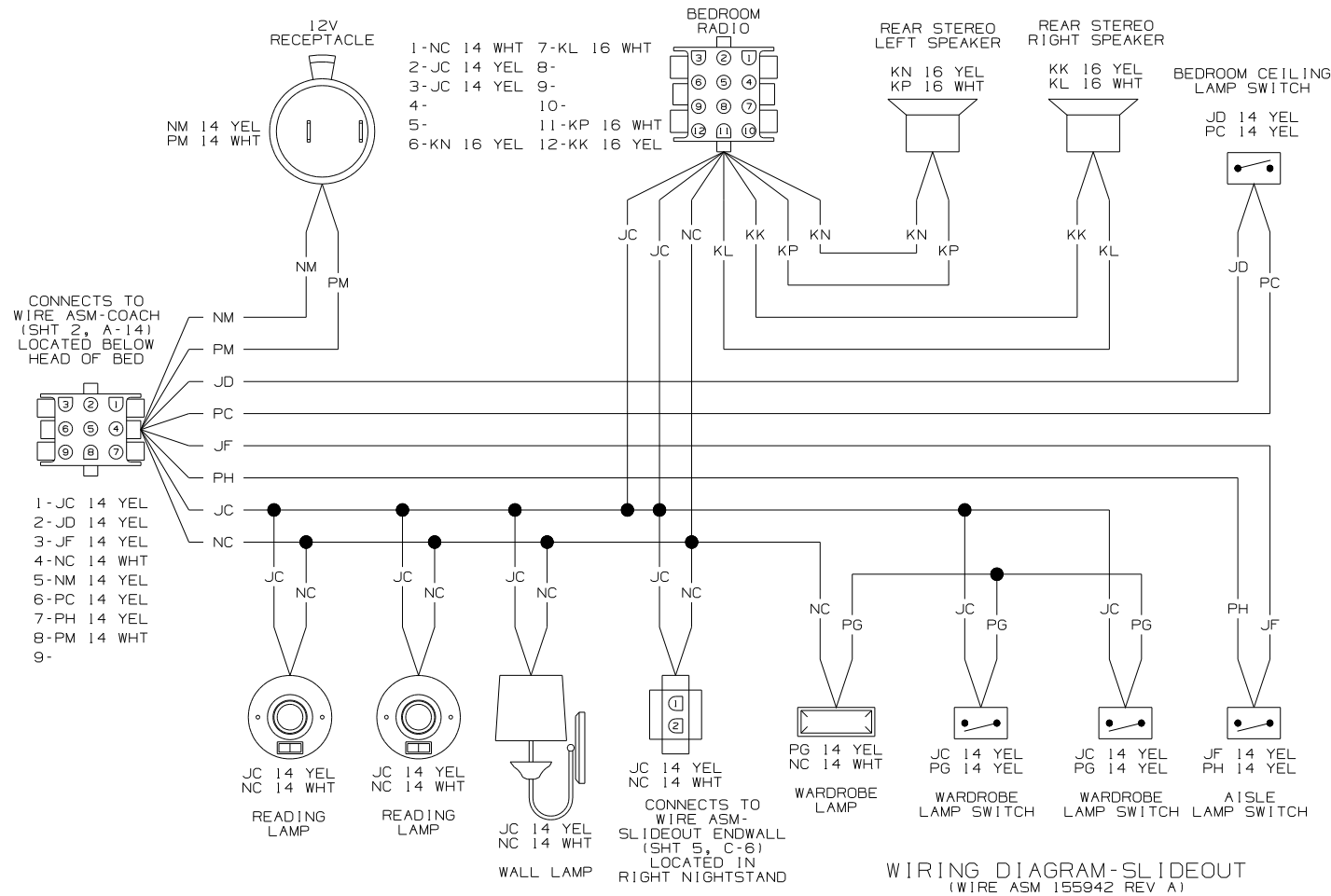
NOTES:



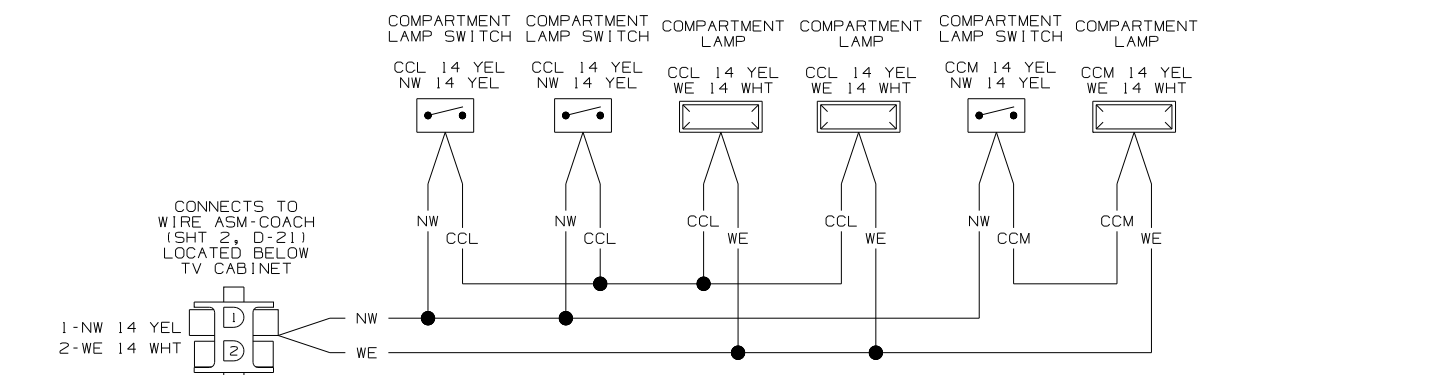
WIRING DIAGRAM-OVHD
(WIRE ASM 139779-04 REV F)



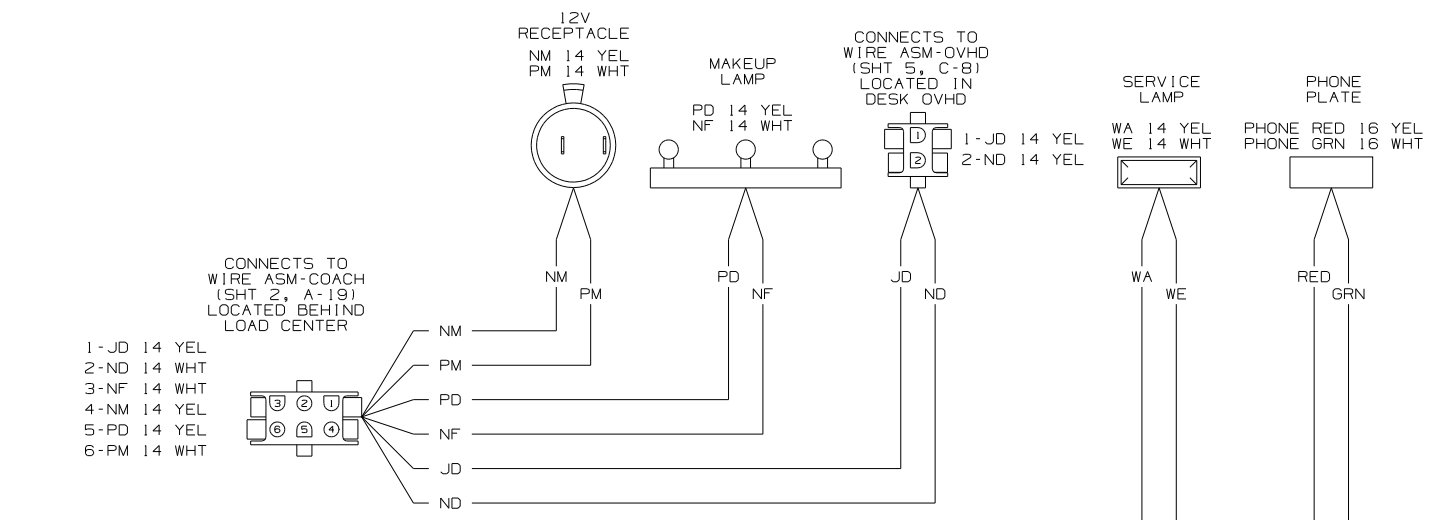
WIRING DIAGRAM-SIDEWALL
(WIRE ASM 155730 REV C)



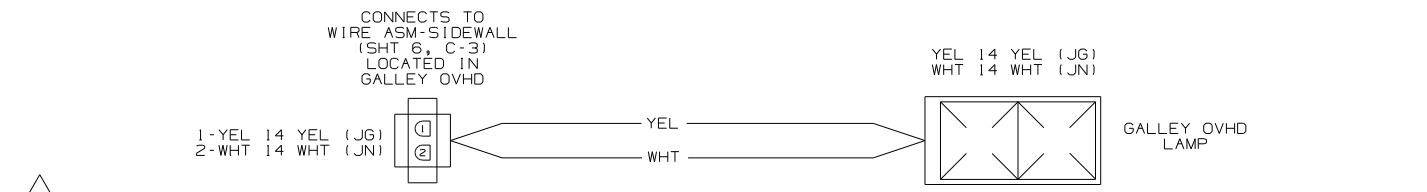
WIRING DIAGRAM-SLIDEOUT
(WIRE ASM 155942 REV A)



WIRING DIAGRAM-COMPT LAMPS
(WIRE ASM 146865 REV C)



WIRING DIAGRAM-SIDEWALL
(WIRE ASM 155723 REV A)

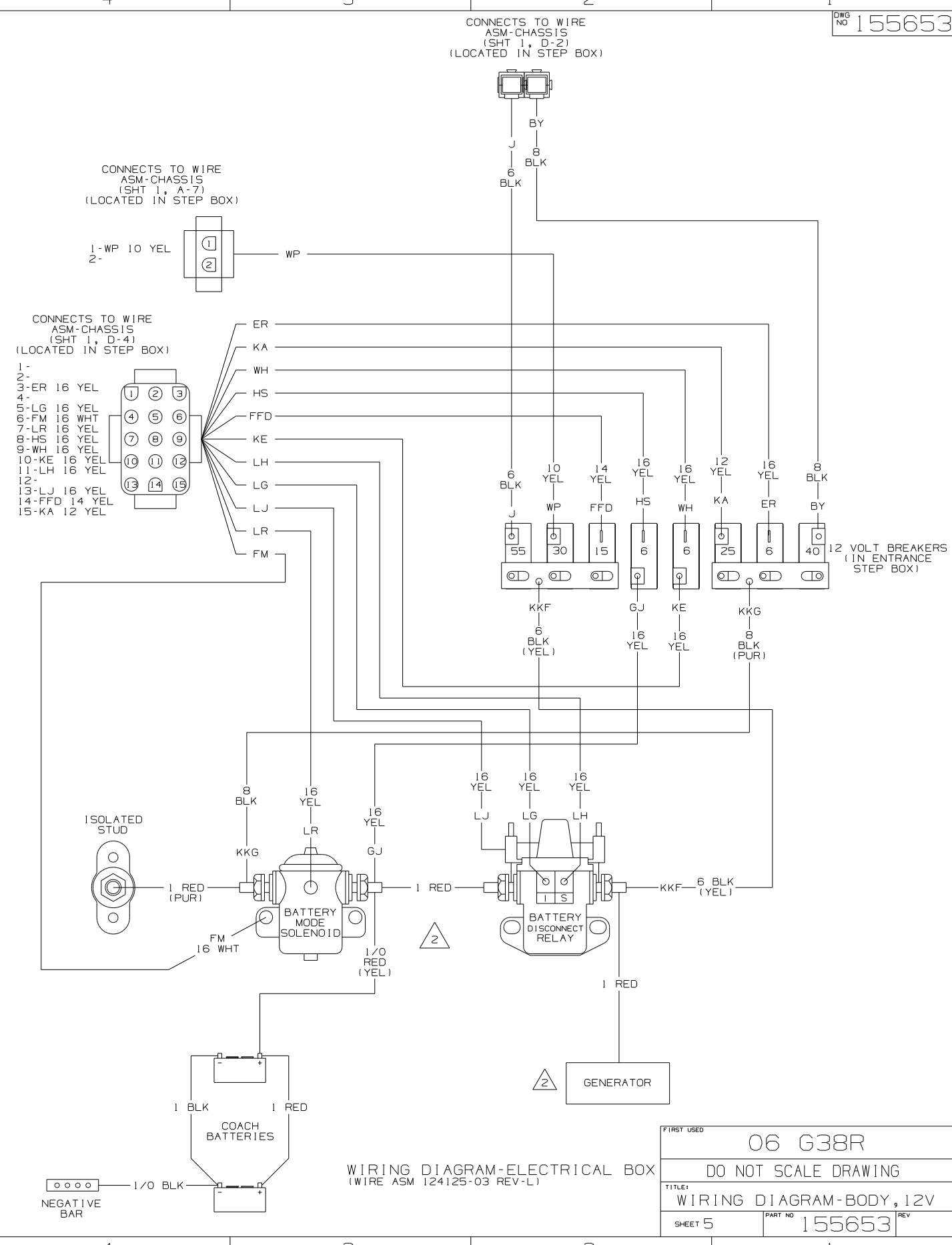
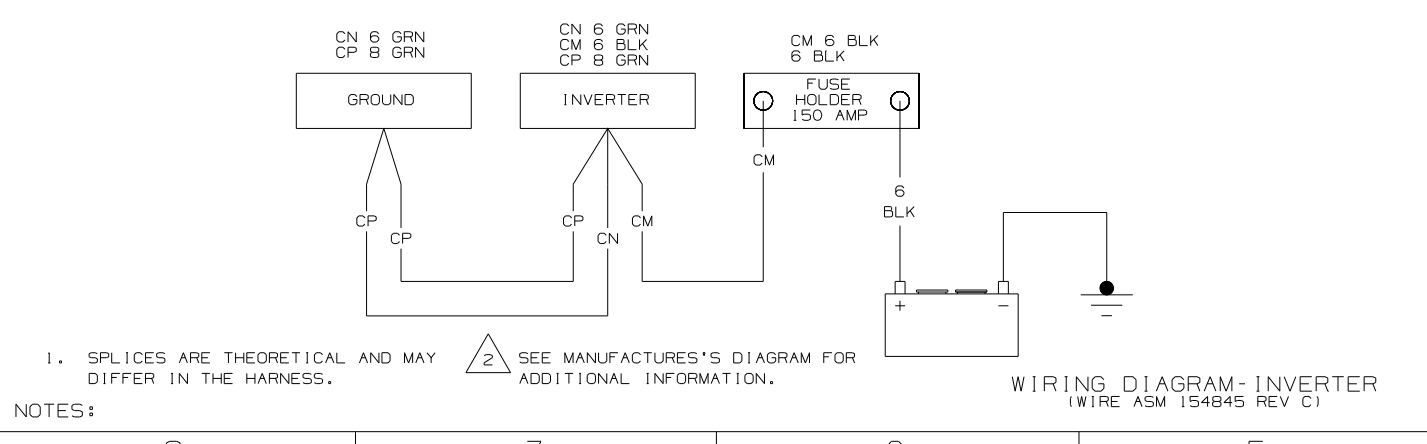
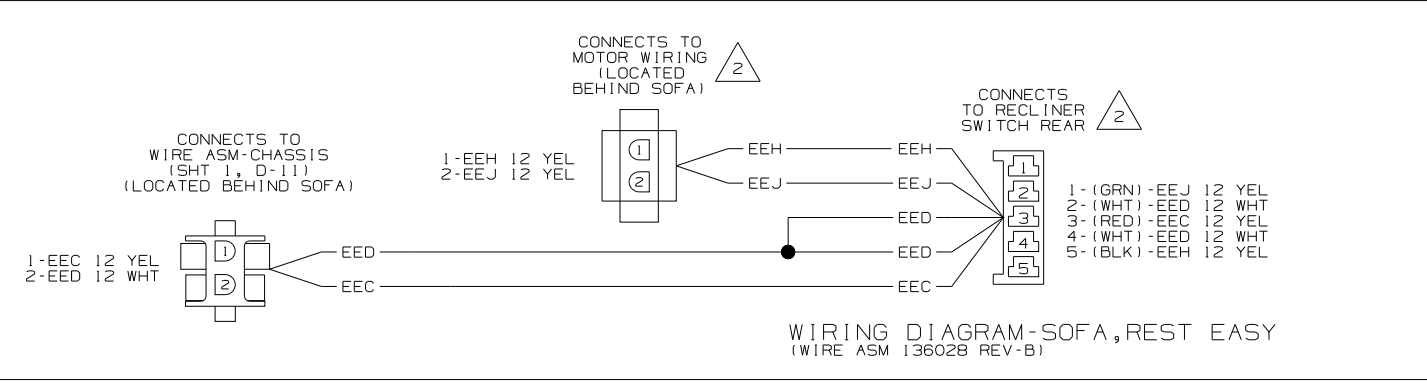
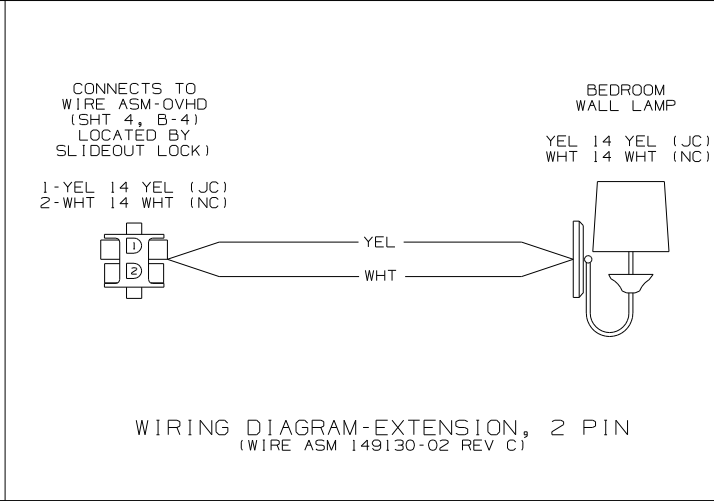
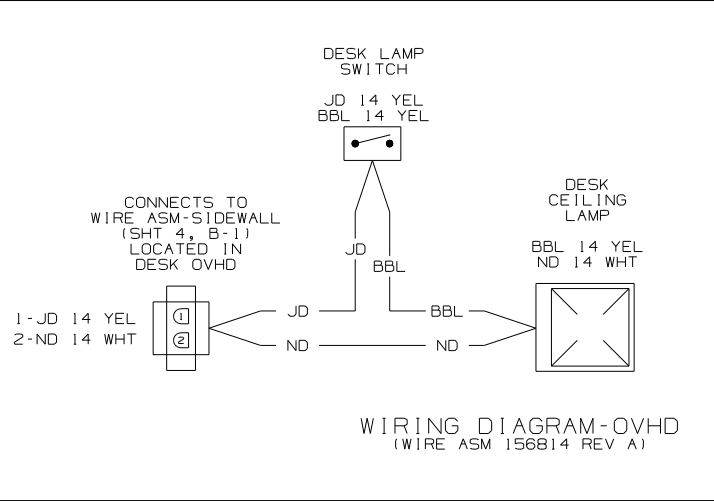
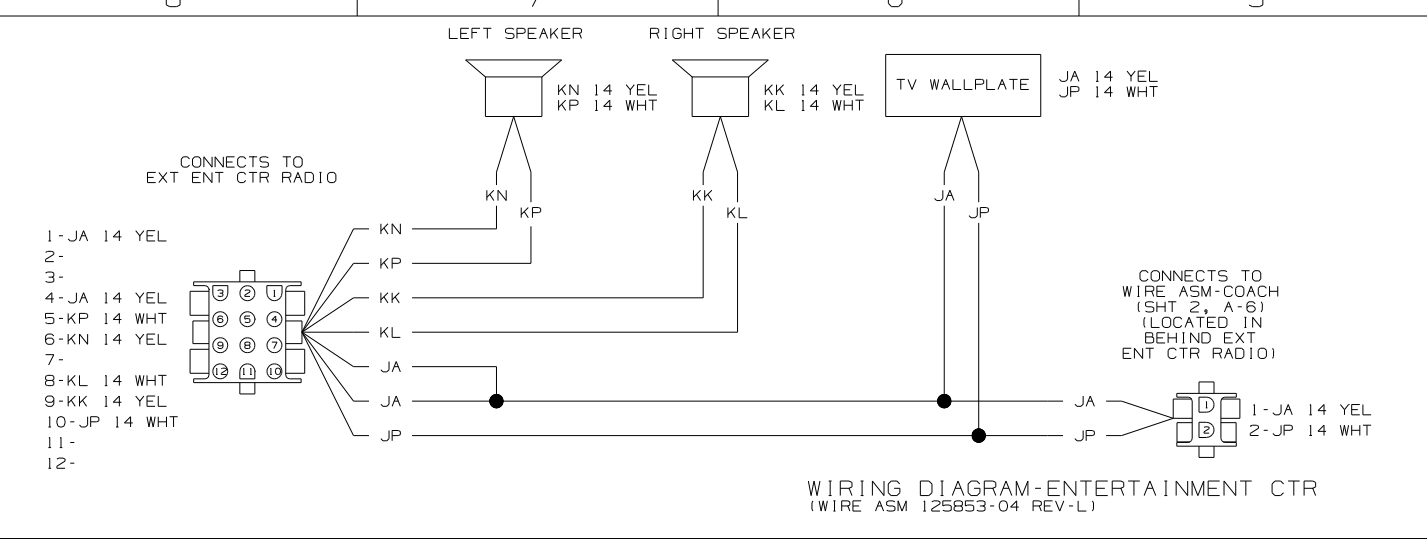


WIRING DIAGRAM-OVHD
(WIRE ASM 133572-03 REV E)

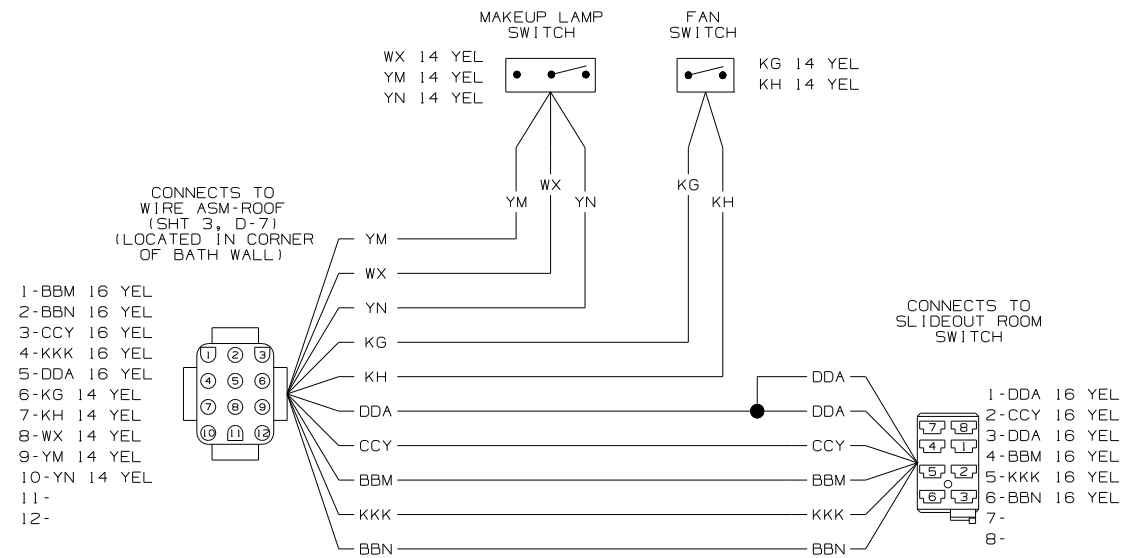
2 SEE MANUFACTURES DIAGRAM FOR ADDITIONAL INFORMATION.
1. SPLICES ARE THEORETICAL AND MAY DIFFER IN THE HARNESS.

NOTES:

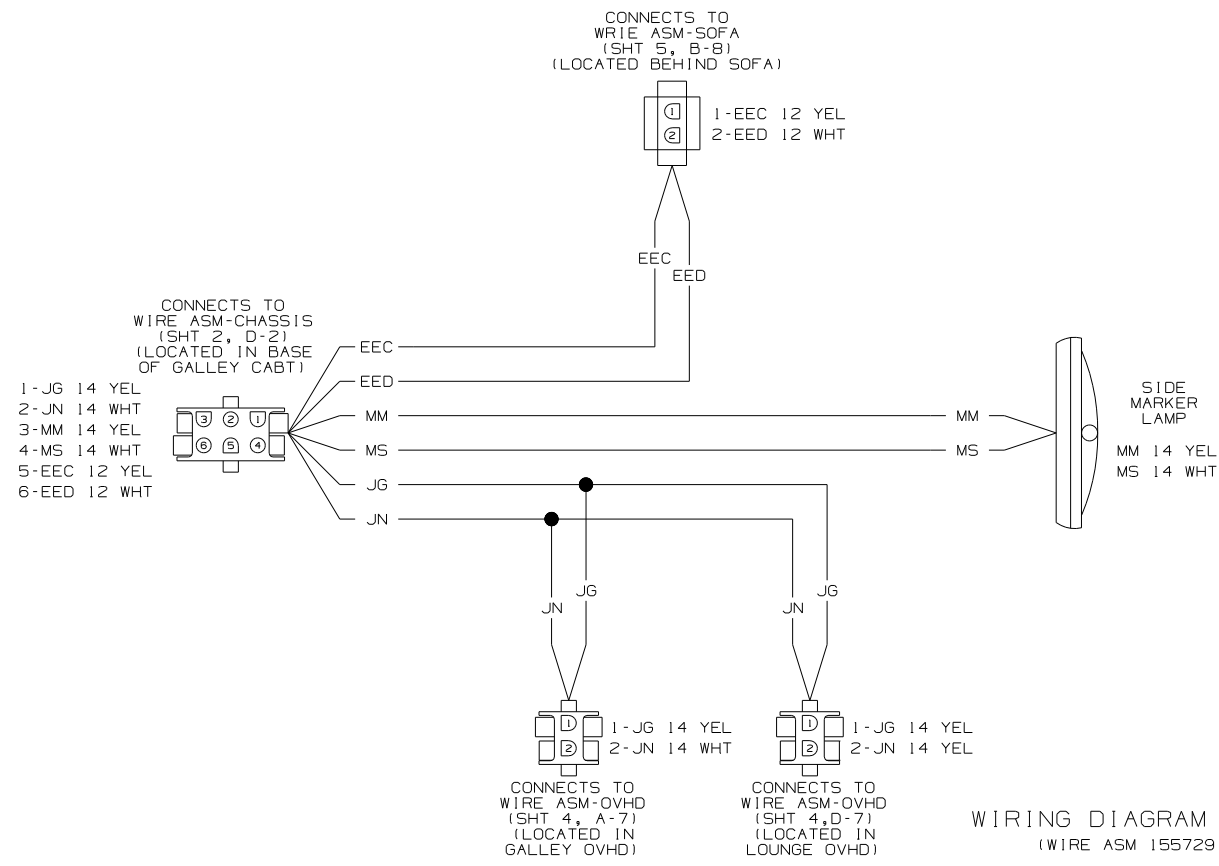
FIRST USED	06 G38R	
TITLE:	DO NOT SCALE DRAWING	
	WIRING DIAGRAM-BODY, 12V	
SHEET 4	PART NO	155653 REV



FIRST USED	06 G38R
TITLE	DO NOT SCALE DRAWING
WIRING DIAGRAM-BODY, 12V	
SHEET 5	PART NO 155653 REV



WIRING DIAGRAM BATHWALL
(WIRE ASM 155918 REV C)



WIRING DIAGRAM SIDEWALL
(WIRE ASM 155729 REV A)



WIRING DIAGRAM RECEIVER INFRA RED
(WIRE ASM 149750 REV B)

SEE MANUFACTURER'S DIAGRAM FOR ADDITIONAL INFORMATION.

1. SPLICES ARE THEORETICAL AND MAY DIFFER IN THE HARNESS.

NOTES:

FIRST USED	06 G38R	
TITLE	DO NOT SCALE DRAWING	
	WIRING DIAGRAM-BODY, 12V	
SHEET 6	PART NO 155653	REV