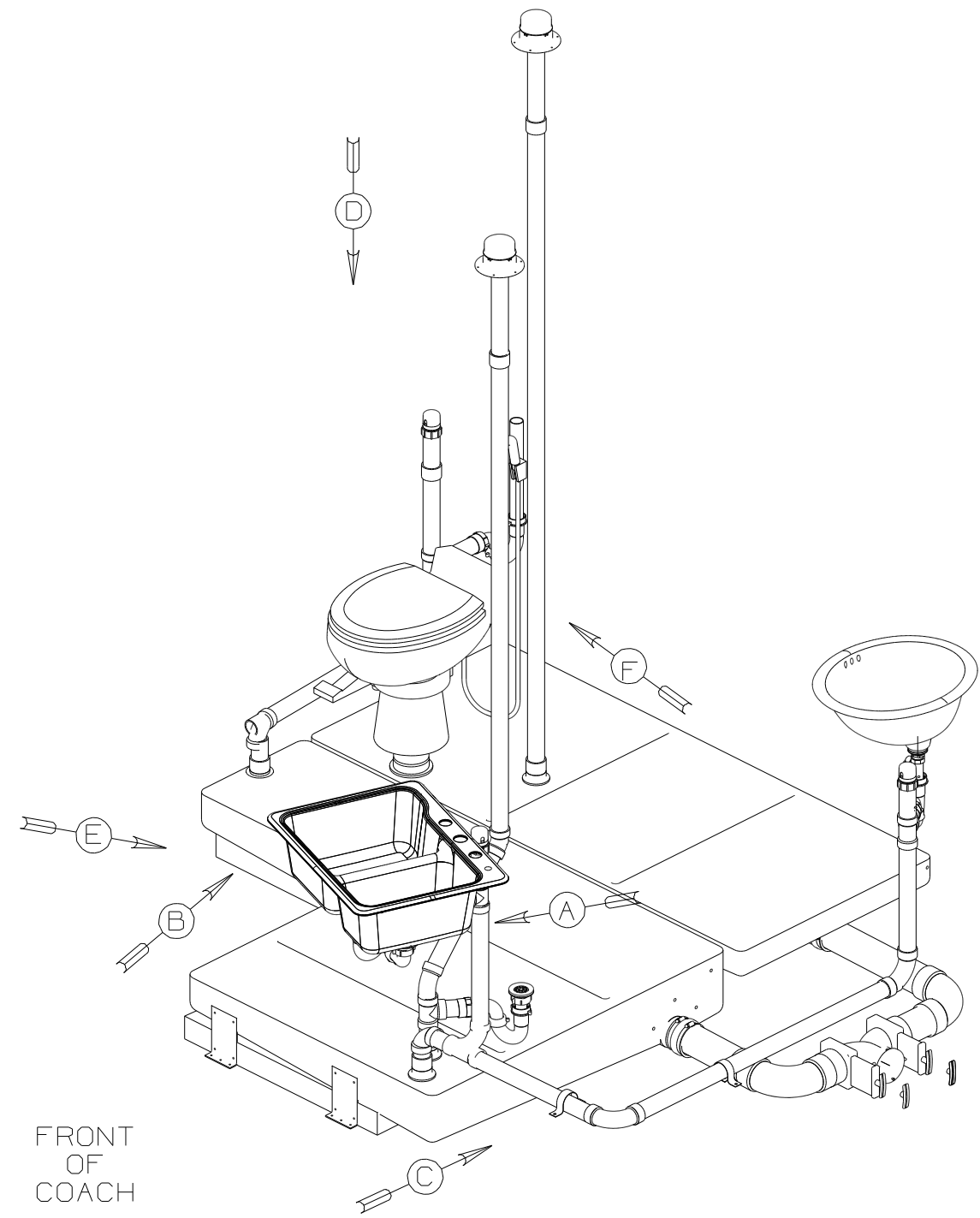


DWG NO	--
152016-01	(WIN)
152016-02	(ITA)

RELEASE	REV DATE	DWG NO
A		152016
REV ZONE	REVISION RECORD	DATE
		DFT-ORIG



FRONT
OF
COACH

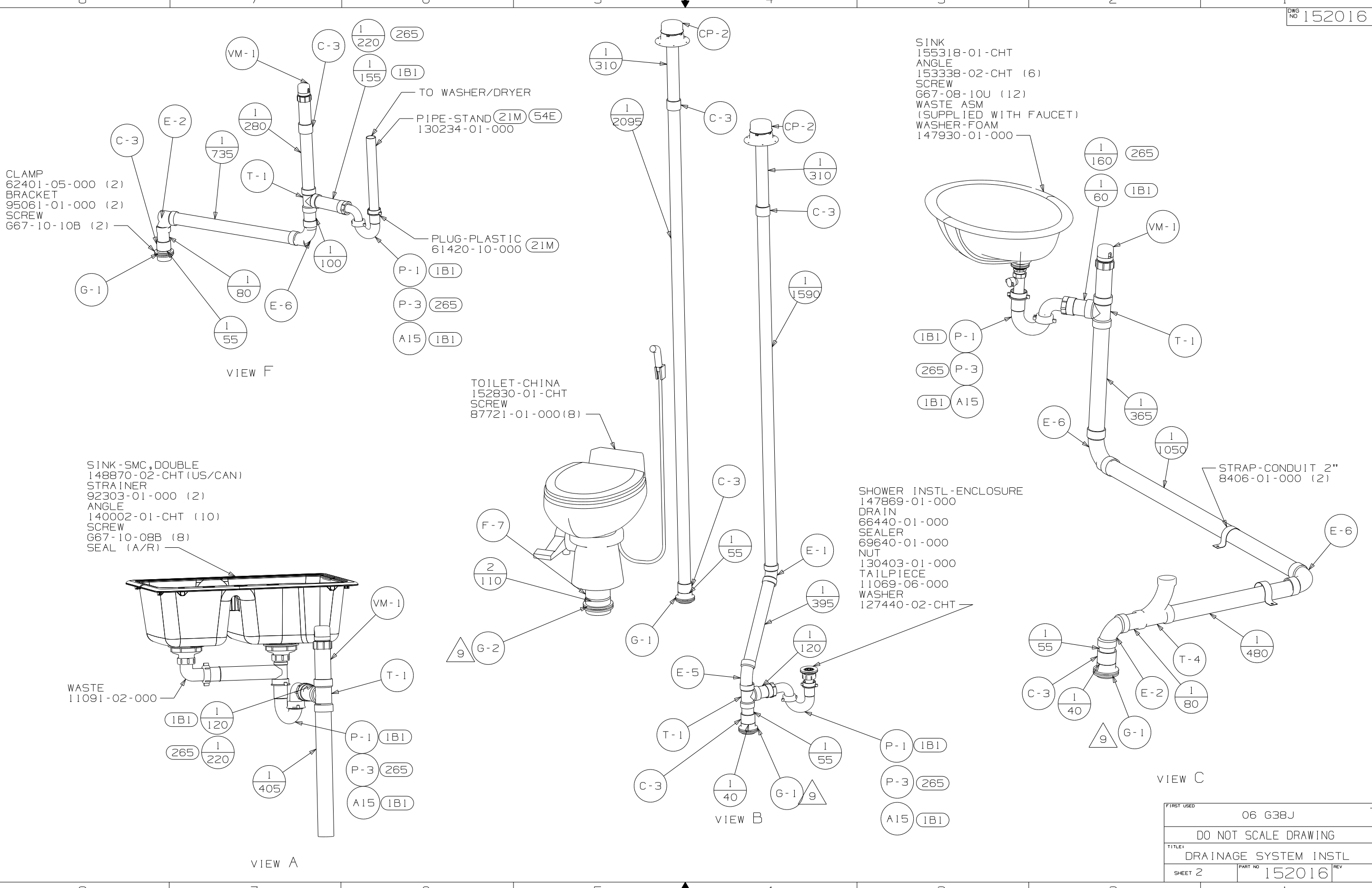
9. SECURE PIPES TO FLOOR USING BRACKET 136878-01-CHT (3) CLAMP 62401-02-000 (3) AND SCREW G67-10-12B (3).
8. SECURE PIPES TO CABINET USING WIRE TIE 108046-02-000 AND SCREW G67-10-12U (8).
7. SEE DWG 61607-01-000 FOR INSTL OF GROMMET.
6. VENT PIPE MUST PROJECT 51 MIN AND 64 MAX ABOVE ROOF FOR PROPER FIT AND FUNCTION.
5. SEAL AROUND SHOWER WITH SILICONE.
4. ALL EXTERIOR OPENINGS AROUND PIPE TO BE SEALED WITH 110744-01-000.
3. ALL PIPE AND FITTINGS TO BE ASSEMBLED WITH SOLVENT 4020-01-000.
2. SLOPE OF TRAP ARM MUST BE 6 PER 305 mm.
1. SLOPE OF HORIZONTAL PIPING TO BE MIN 3 PER 305 mm.

- (WIN) WINNEBAGO ONLY
- (ITA) ITASCA ONLY
- (IBI) CODES/STANDARDS USA
- (265) CODES/STDS-CSA/CMVSS

WINNEBAGO		COPYRIGHT 2006 WINNEBAGO INDUSTRIES, INC.	
DFT	ORIG. DATE	ALL DIMENSIONS ARE IN MILLIMETERS	
CHKR		FIRST USED	
P.E.		06 G38J	
M.E.		UNSPECIFIED TOLERANCES ARE:	
DSNR		MATERIAL:	
		WHOLE DIM (X)	: 5
		ONE-PLACE (X.X)	:
		TWO-PLACE (X.XX)	:
		ANGLE	:
		THIRD ANGLE PROJECTION	⊕
DO NOT SCALE DRAWING			
TITLE: DRAINAGE SYSTEM INSTL			
SHEET 1 OF 3	PART NO	152016	REV
REF	1 6/12/2006		

(X-X)
FOR
DRAINAGE
CALLOUTS
SEE DWG NO
116229-01-000

NOTES:



CLAMP
62401-05-000 (2)
BRACKET
95061-01-000 (2)
SCREW
G67-10-10B (2)

G-1
E-2
C-3
E-6
T-1
I 735
I 280
I 100
I 80
I 55

VIEW F

TO WASHER/DRYER
PIPE-STAND (2IM) (54E)
130234-01-000

PLUG-PLASTIC (2IM)
61420-10-000

P-1 (1B1)
P-3 (265)
A15 (1B1)

TOILET-CHINA
152830-01-CHT
SCREW
87721-01-000 (8)

F-7
I 110
G-2
I 9

VIEW B

SINK
155318-01-CHT
ANGLE
153338-02-CHT (6)
SCREW
G67-08-10U (12)
WASTE ASM
(SUPPLIED WITH FAUCET)
WASHER-FOAM
147930-01-000

I 160 (265)
I 60 (1B1)
VM-1
T-1
I 365
I 1050
E-6
I 480
I 80
E-2
G-1
I 40
I 55
C-3
I 120
I 395
E-1
I 120
I 55
G-1
I 9

VIEW C

SINK-SMC, DOUBLE
148870-02-CHT (US/CAN)
STRAINER
92303-01-000 (2)
ANGLE
140002-01-CHT (10)
SCREW
G67-10-08B (8)
SEAL (A/R)

WASTE
11091-02-000

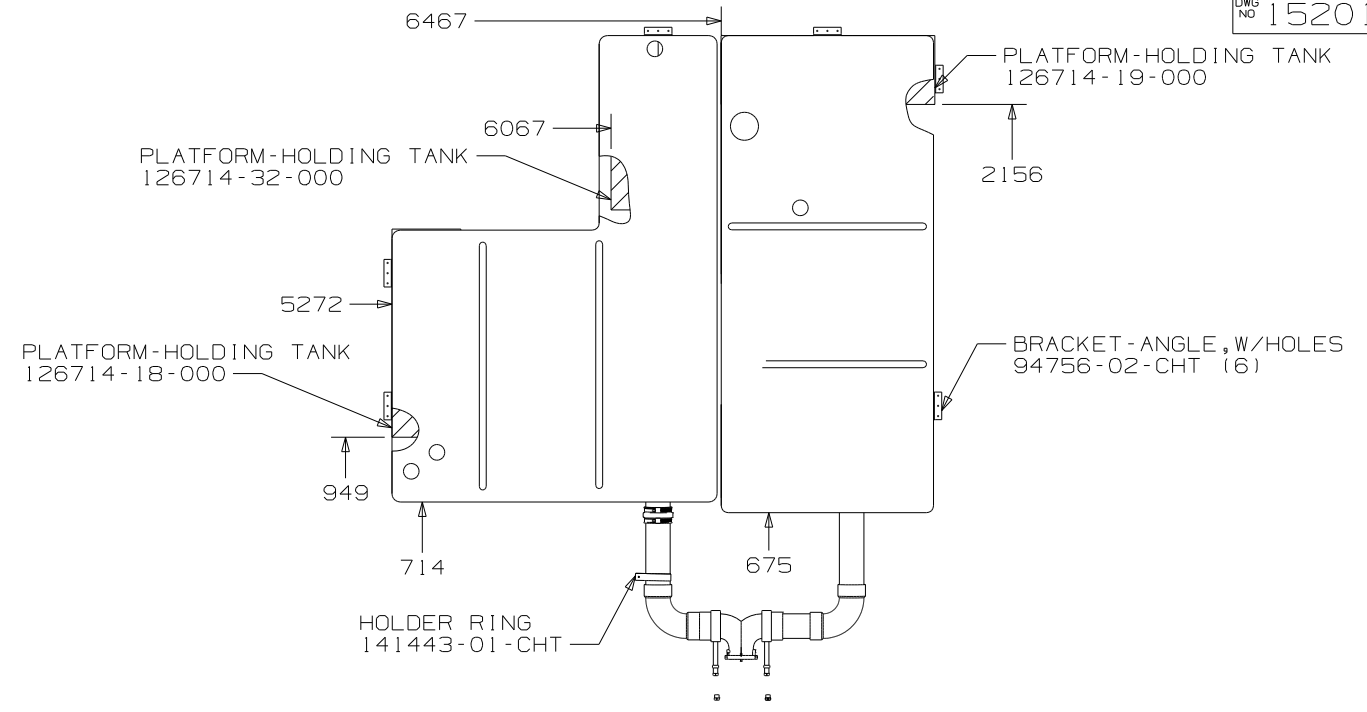
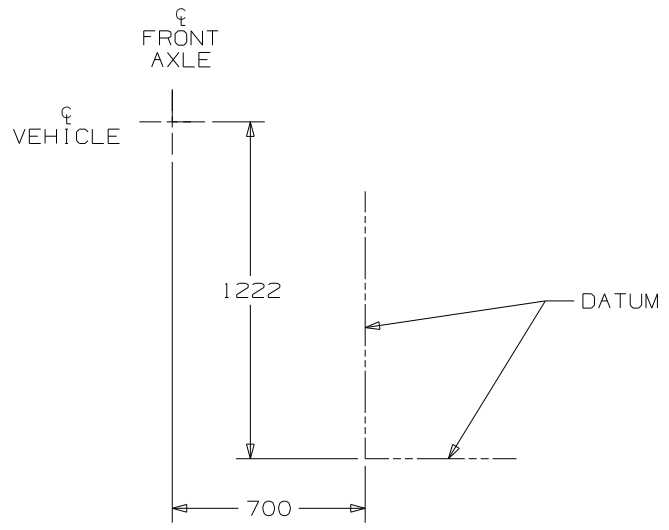
VM-1
T-1
I 120 (1B1)
I 220 (265)
I 405
P-1 (1B1)
P-3 (265)
A15 (1B1)

VIEW A

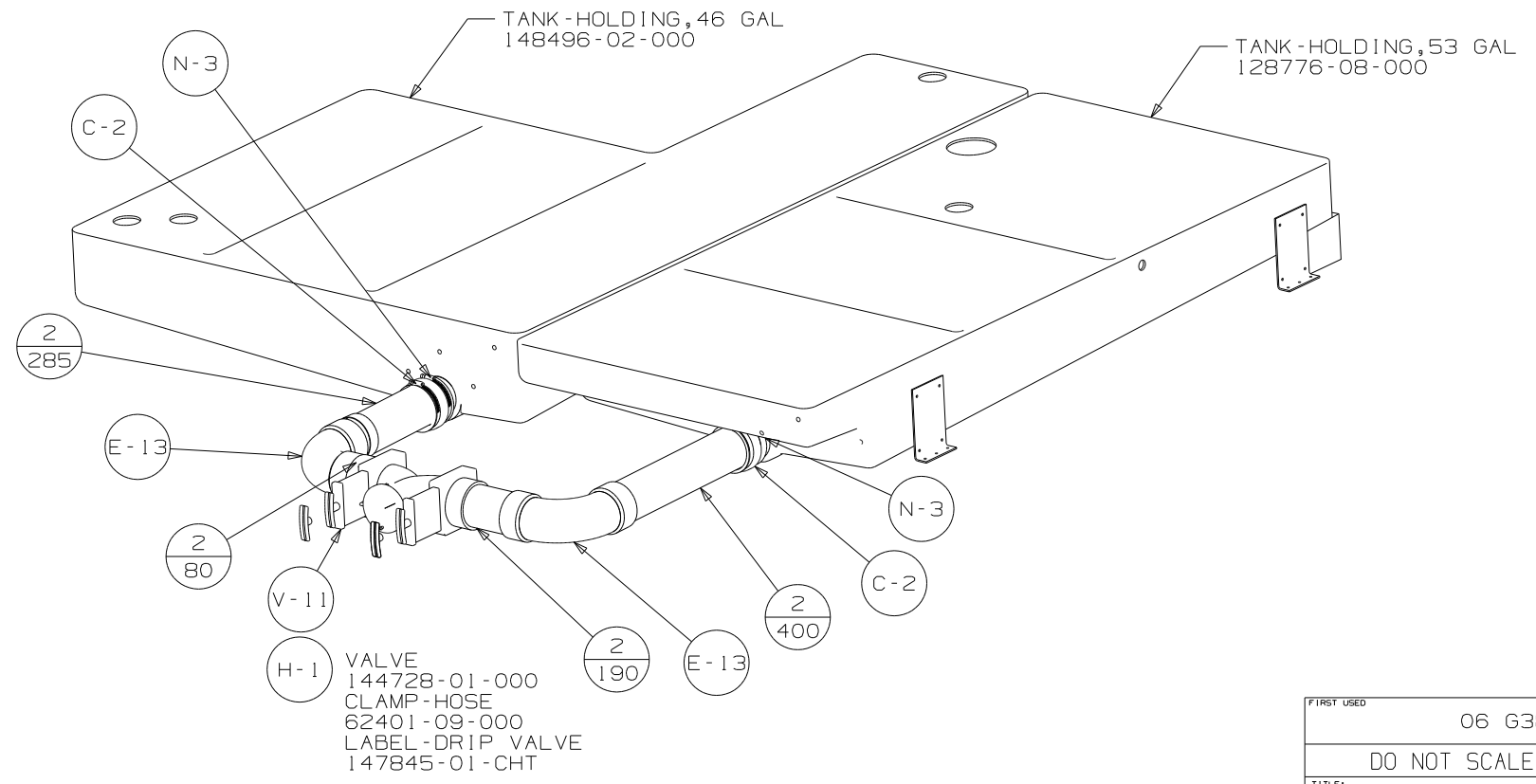
SHOWER INSTL-ENCLOSURE
147869-01-000
DRAIN
66440-01-000
SEALER
69640-01-000
NUT
130403-01-000
TAILPIECE
11069-06-000
WASHER
127440-02-CHT

STRAP-CONDUIT 2"
8406-01-000 (2)

FIRST USED	06 G38J		
TITLE	DO NOT SCALE DRAWING		
TITLE	DRAINAGE SYSTEM INSTL		
SHEET 2	PART NO	152016	REV



VIEW D

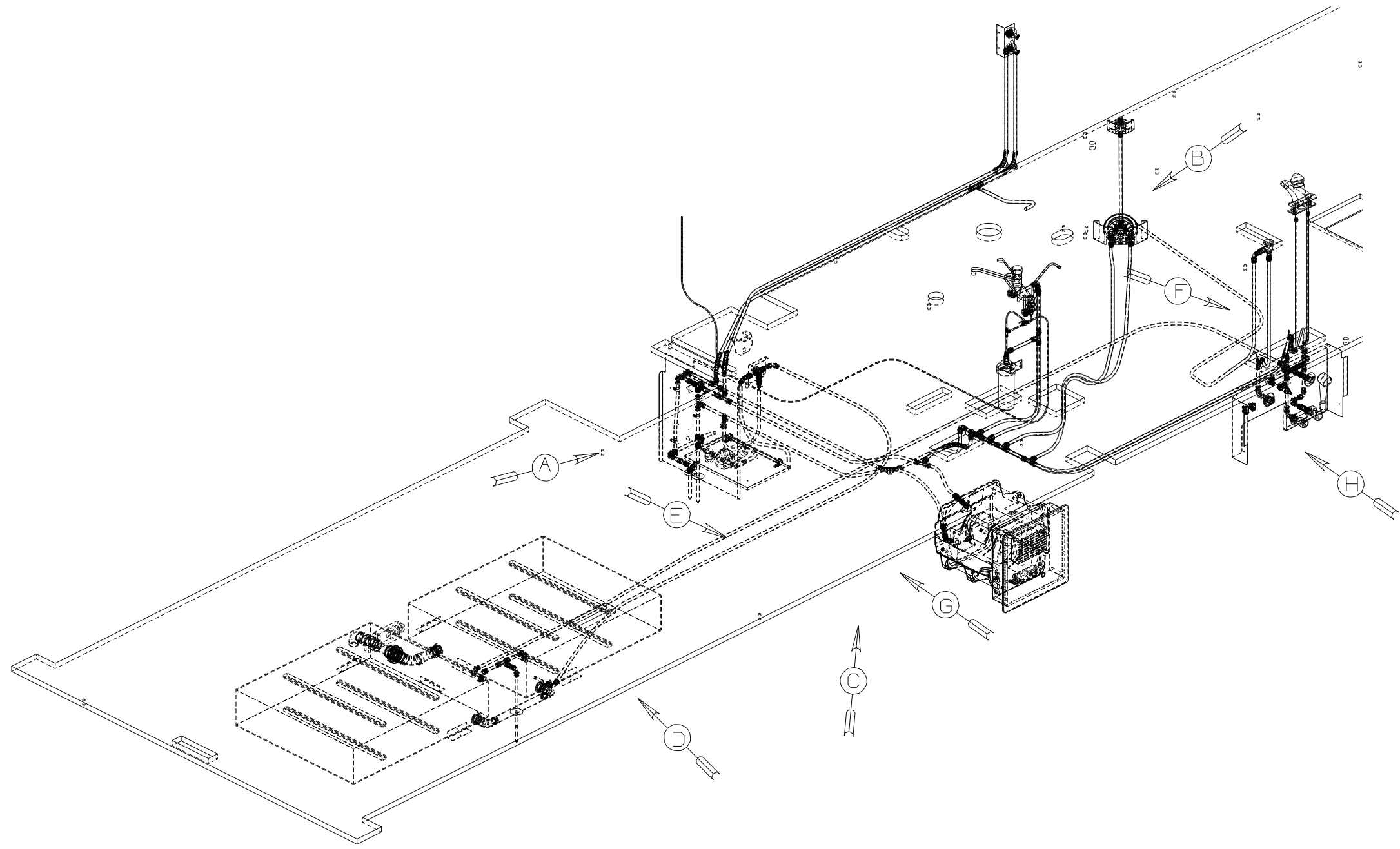


VIEW E

FIRST USED	06 G38J	
TITLE	DO NOT SCALE DRAWING	
	DRAINAGE SYSTEM INSTL	
SHEET 3	PART NO 152016	REV

DWG NO	--
152015-01	(WIN)
152015-02	(ITA)

RELEASE	REV DATE	DWG NO
A		152015
REV ZONE	REVISION RECORD	DATE
		DFTR-0R16

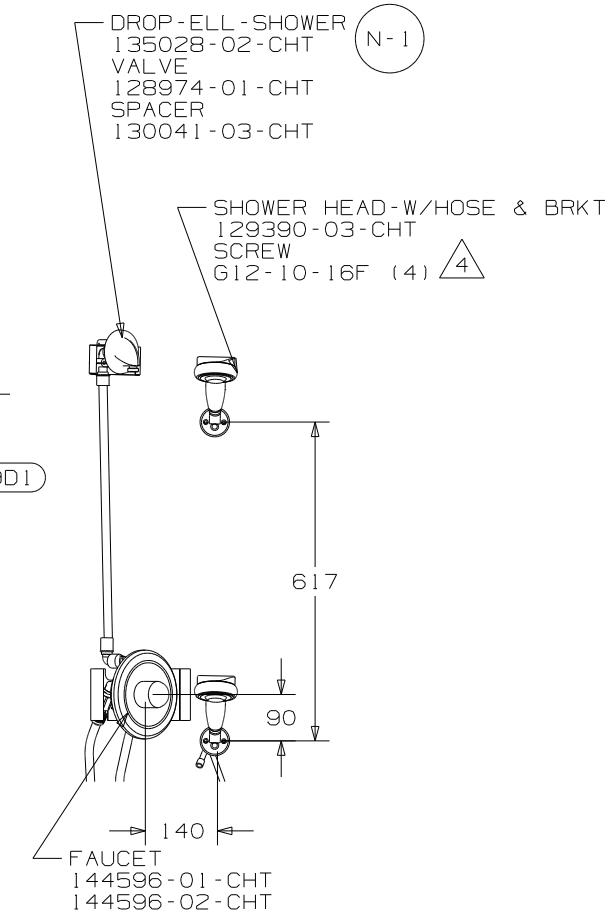
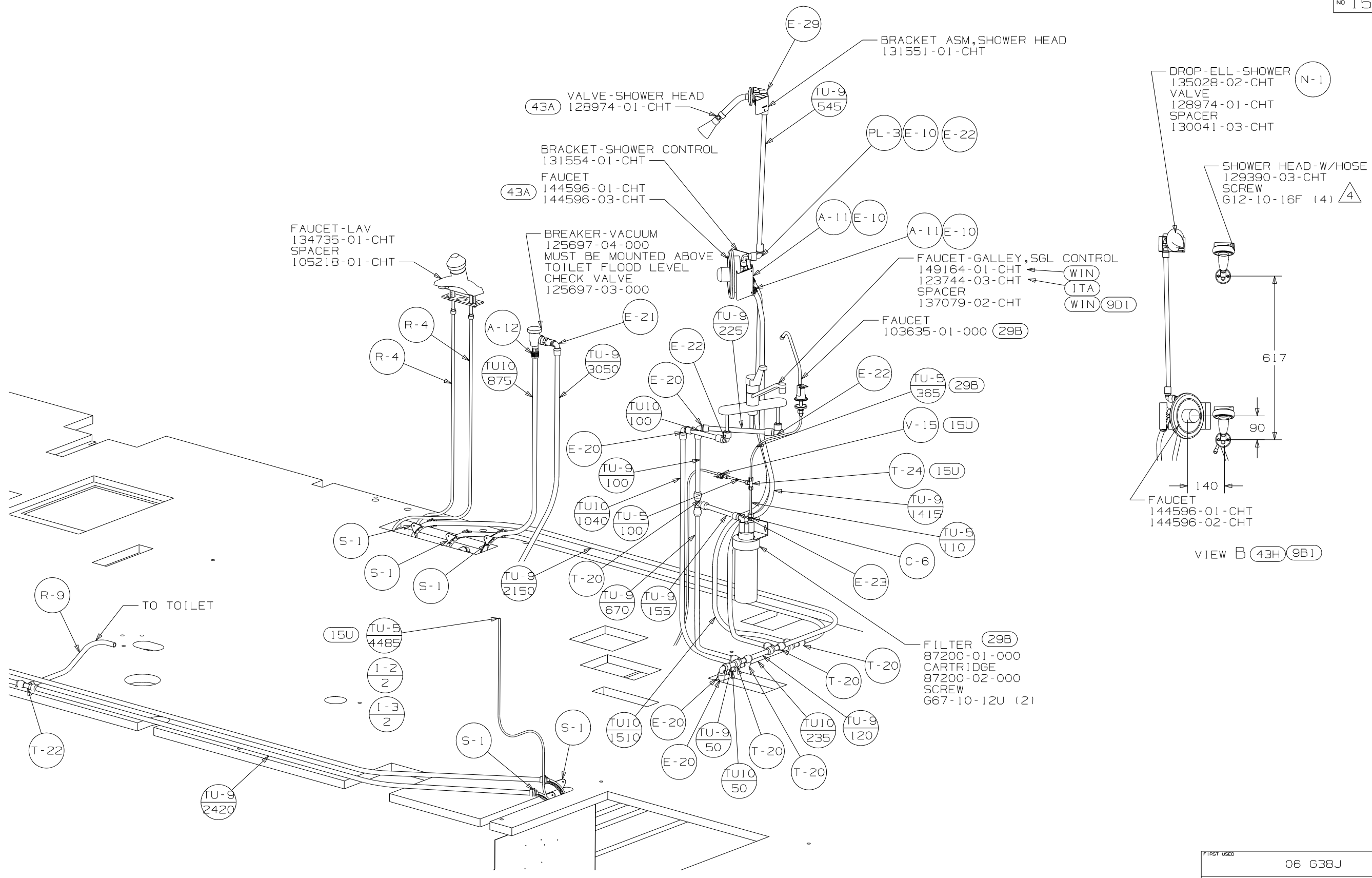


- (29B) WATER PURIFIER
- (WIN) WINNEBAGO ONLY
- (ITA) ITASCA ONLY
- (43H) SHOWER HEAD-HAND HELD
- (43A) SHOWER HEAD-FIXED
- (54E) WASHER/DRYER
- (54M) WASHER/DRYER PREP
- (15U) REFRIGERATOR/FRZR W/ICEMAKER

- NOTES:
- 6 ADD TEFLON TAPE 10405-01-000.
 - 5 ADD TEFLON TAPE 10405-02-000.
 - 4 USED IN PLACE OF SUPPLIED SCREWS TO ATTACH BRACKET TO WALL.
 3. ALL TUBING TO BE SECURED AT 1200 INTERVALS MAXIMUM WITH CLAMP 10495-01-000 OR CLIP 9151-01-000 AND SCREW 667-10-12B.
 2. TUBING TO BE INSTALLED WITH SUFFICIENT SLOPE TO PROVIDE DRAINAGE TO NEAREST VALVE.
 1. PLASTIC FITTINGS TO BE SEALED WITH SEALANT 84456-01-000.

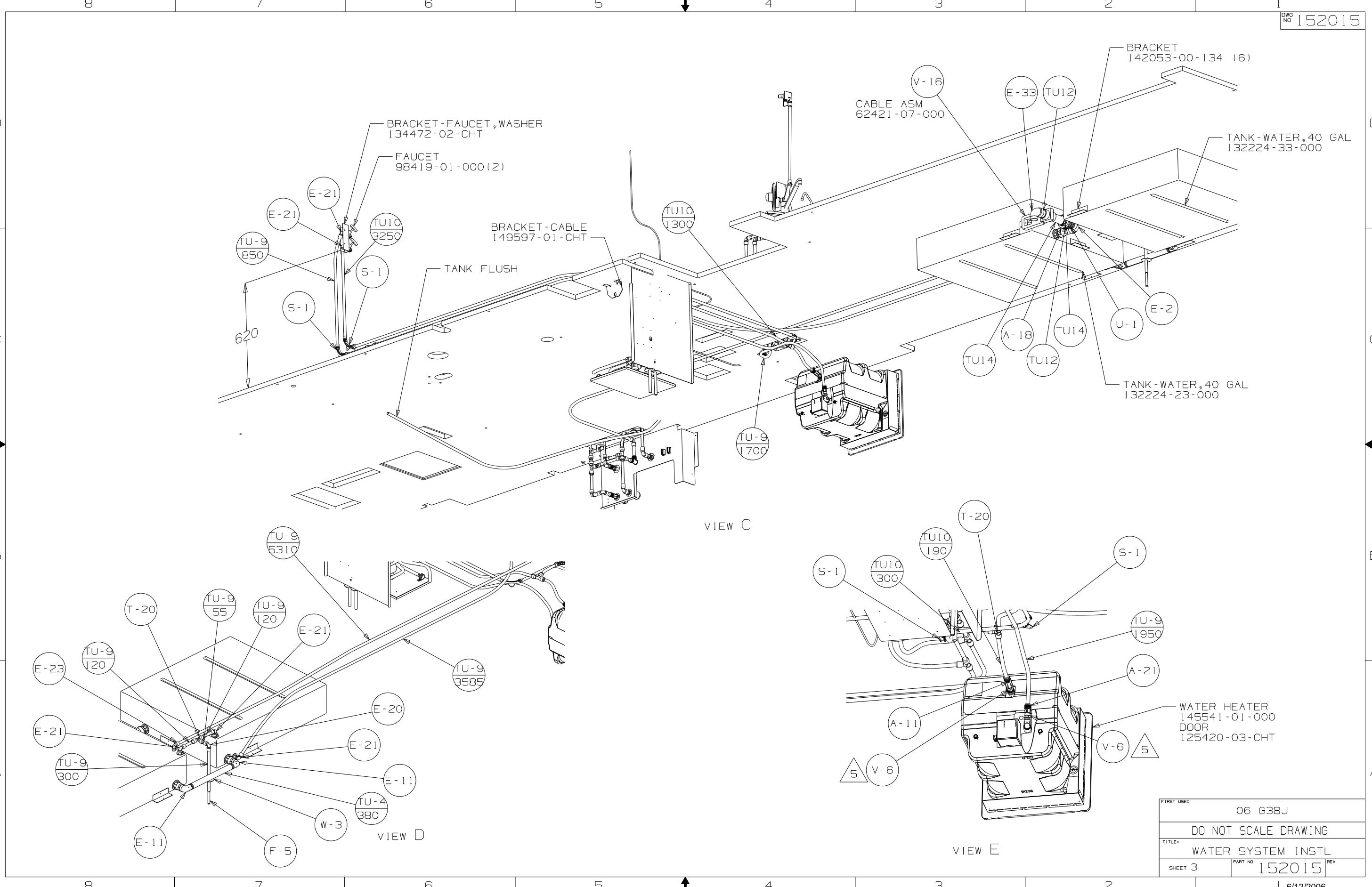
(X-X)
FOR
WATER
CALLOUTS
SEE DWG NO
116230-01-000

WINNEBAGO		COPYRIGHT 2006 WINNEBAGO INDUSTRIES, INC.	
DFTR	ORIG. DATE	ALL DIMENSIONS ARE IN MILLIMETERS	
CHKR		FIRST USED	
P.E.		06 G38J	
M.E.		UNSPECIFIED TOLERANCES ARE:	
DSNR		MATERIAL:	
		WHOLE DIM (X)	: 3
		ONE-PLACE (X.X)	:
		TWO-PLACE (X.XX)	:
		ANGLE	:
THIRD ANGLE PROJECTION		DO NOT SCALE DRAWING	
TITLE: WATER SYSTEM INSTL			
SHEET 1 OF 4	PART NO	152015	REV
REF	1 6/12/2006		

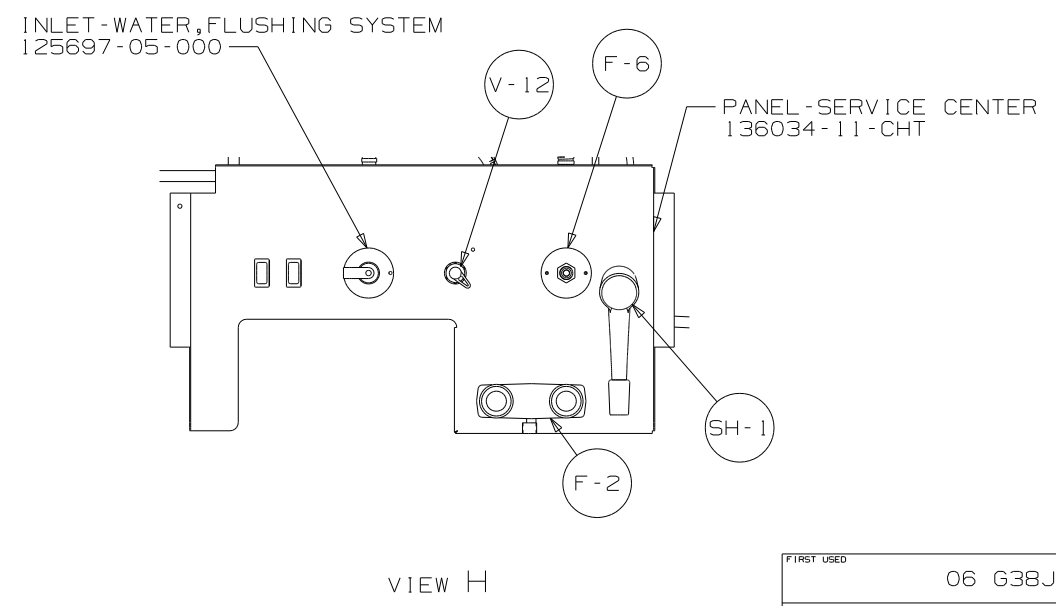
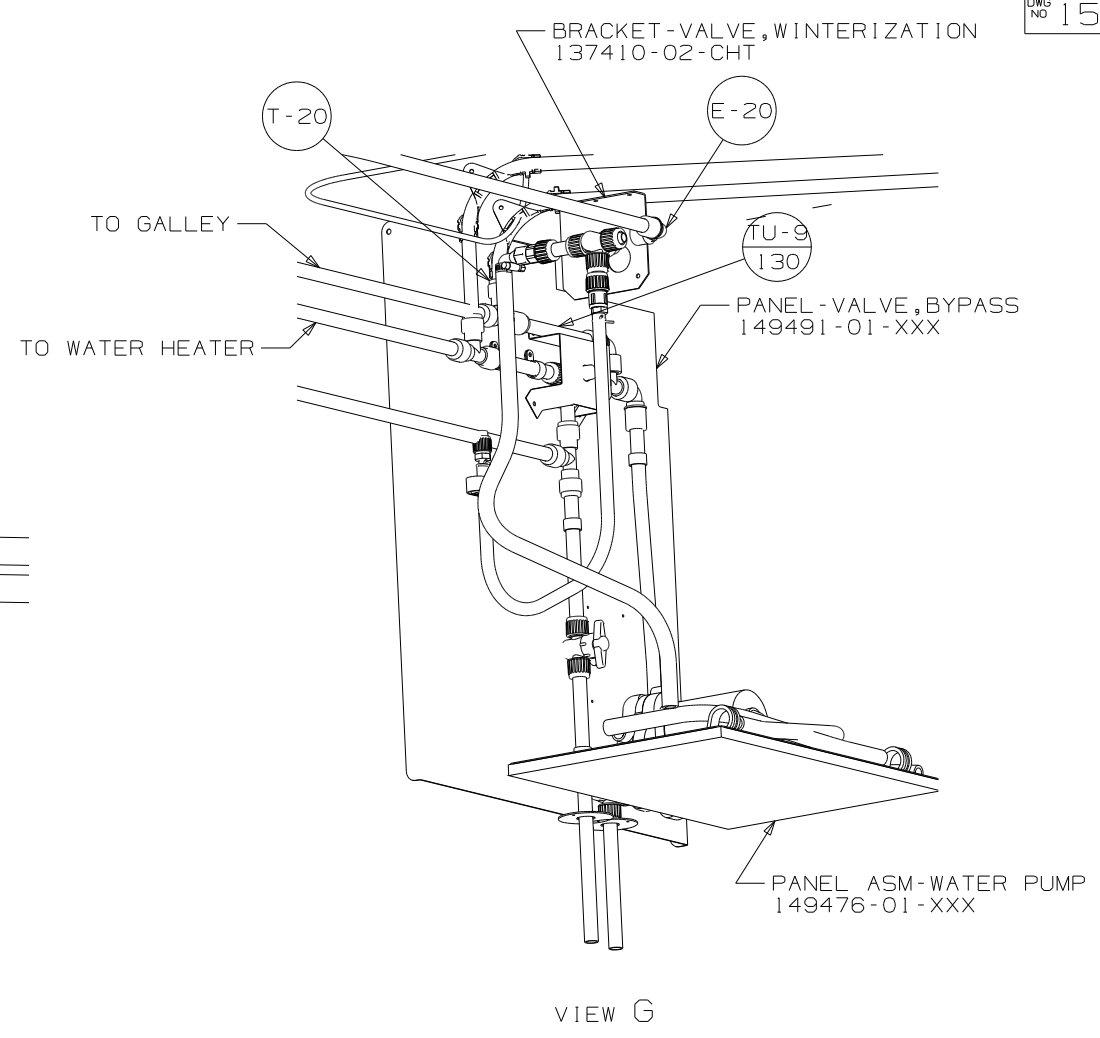
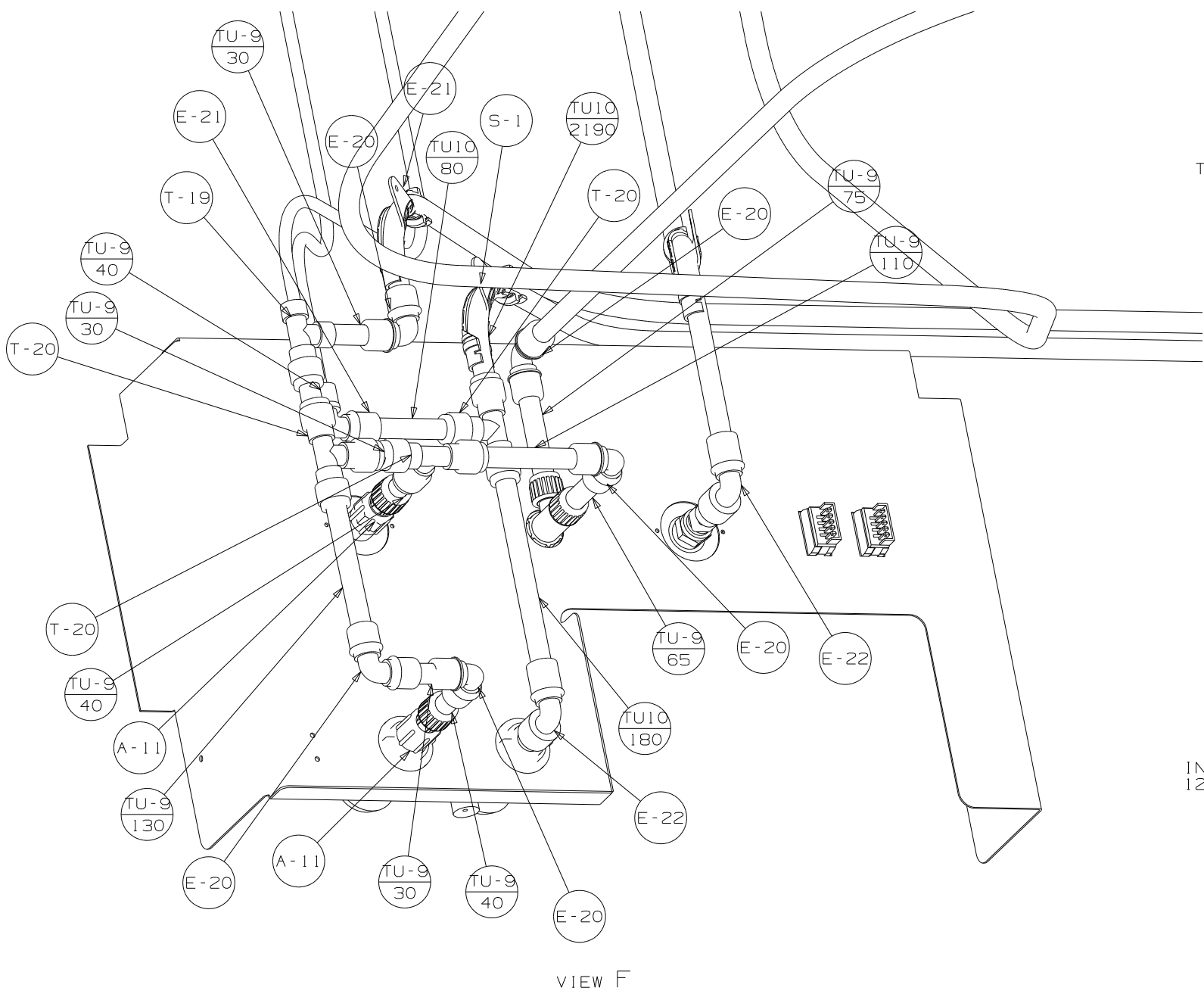


VIEW A

FIRST USED	06 G38J
TITLE	DO NOT SCALE DRAWING
TITLE	WATER SYSTEM INSTL
SHEET 2	PART NO 152015 REV



FIRST USED	06 G38J
DO NOT SCALE DRAWING	
TITLE:	WATER SYSTEM INSTL
SHEET 3	PART NO 152015 REV



FIRST USED	06 G38J
TITLE	DO NOT SCALE DRAWING
SHEET 4	PART NO 152015
	REV 1 6/12/2006