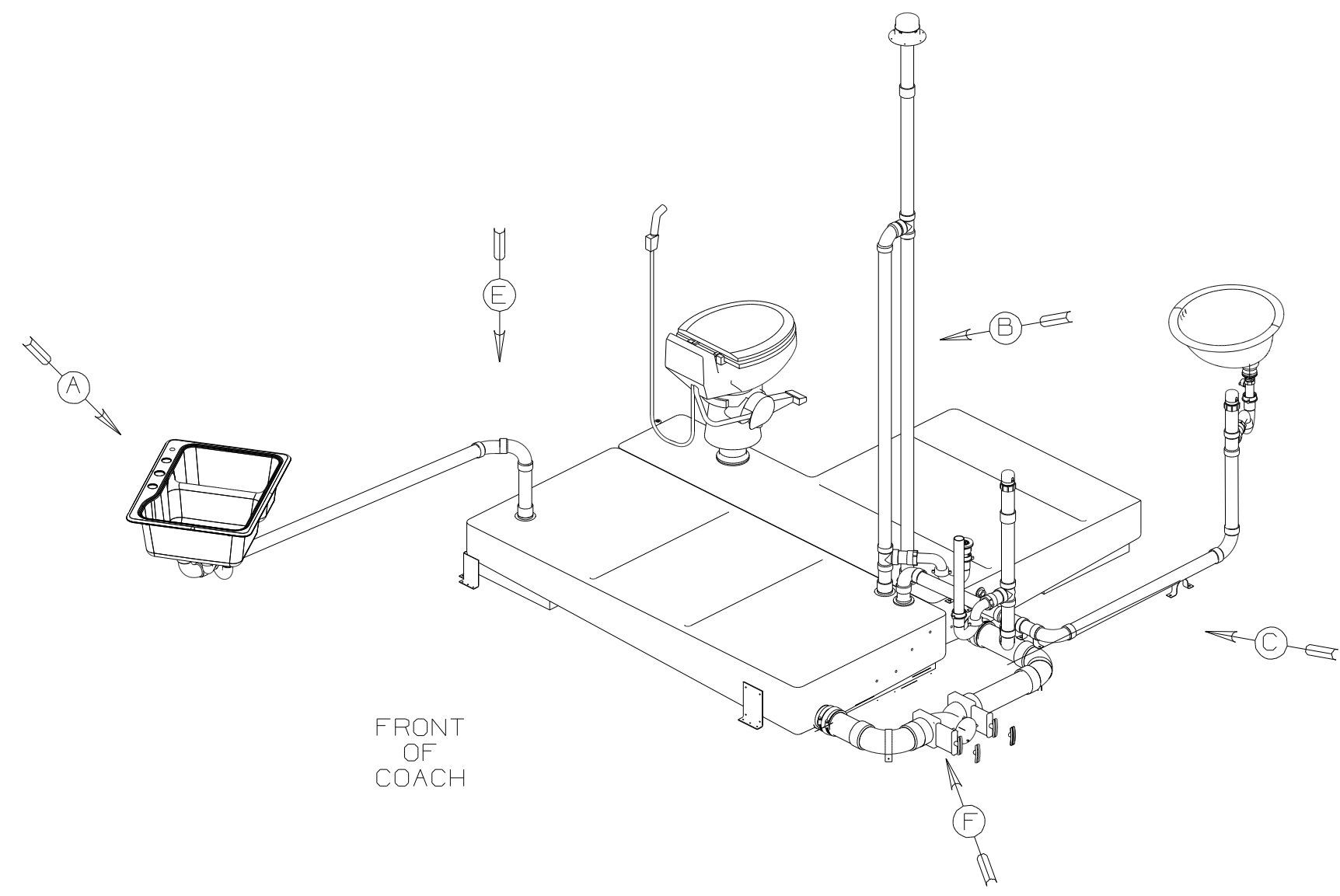


DWG NO	----
153280-01	(WIN)
153280-02	(ITA)

RELEASE	REV DATE	DWG NO
A		153280
REV ZONE	REVISION RECORD	DATE
		DFTR-016



FRONT OF COACH

- (WIN) WINNEBAGO ONLY
- (ITA) ITASCA ONLY
- (43M) TOILET PORCELAIN-ELONGATED
- (43Q) TOILET-PORCELAIN
- (1B1) CODES/STANDARDS USA
- (265) CODES/STANDARDS-CSA/CMVSS
- (21M) WASHER/DRYER PREP
- (54E) WASHER/DRYER

6 VENT PIPE MUST PROJECT 51 MIN AND 64 MAX ABOVE ROOF FOR PROPER FIT AND FUNCTION.

5. SEAL AROUND SHOWER WITH SILICONE.
4. ALL EXTERIOR OPENINGS AROUND PIPE TO BE SEALED WITH 131264-03-000.
3. ALL PIPE AND FITTINGS TO BE ASSEMBLED WITH SOLVENT 4020-01-000.
2. SLOPE OF TRAP ARM MUST BE 6 PER 305 mm.
1. SLOPE OF HORIZONTAL PIPING TO BE MIN 3 PER 305 mm.

NOTES:

(X-X)
FOR DRAINAGE CALLOUTS
SEE DWG NO 116229-01-000

WINNEBAGO		COPYRIGHT 2006 WINNEBAGO INDUSTRIES, INC.	
DFTR	ORIG. DATE	ALL DIMENSIONS ARE IN MILLIMETERS	
CHKR		FIRST USED	
P.E.		06 G37B	
M.E.		UNSPECIFIED TOLERANCES ARE:	
DSNR		MATERIAL:	
		WHOLE DIM (X) :	7
		ONE-PLACE (X.X) :	
		TWO-PLACE (X.XX) :	
		ANGLE :	
THIRD ANGLE PROJECTION		DO NOT SCALE DRAWING	
TITLE: DRAINAGE SYSTEM INSTL			
SHEET 1 OF 3	PART NO	153280	REV
REF:	1 6/13/2006		

SINK-SMC, DBL L/S BASIN
148870-02-CHT (US/CAN)
STRAINER
92303-01-000 (2)
ANGLE
140002-01-CHT (10)
SCREW
G67-01-08B (8)
SEAL
(A/R)

TOILET
152830-01-CHT
SCREW
87721-01-000 (8)

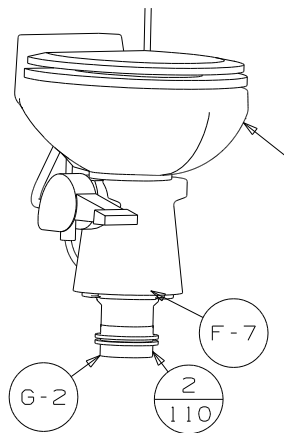
SINK-LAV
155318-01-CHT
TAILPIECE
(SUPPLIED W/FAUCET)
ANGLE
153338-02-CHT (6)
SCREW
G67-08-12U (12)
WASHER FOAM
147930-01-000

SHOWER INSTL
147869-05-000
STRAINER
66440-01-000
SHOWER TAILPIECE
11069-06-000
NUT
130403-01-000
WASHER
127440-02-CHT

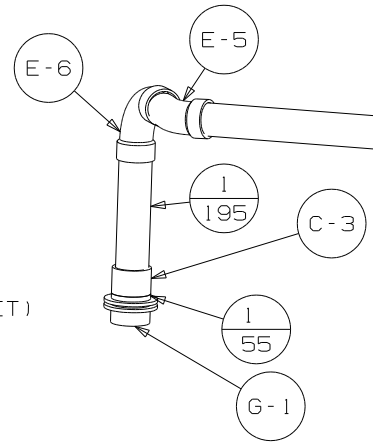
54E
21M PIPE-STAND
130234-01-000
21M PLUG
61420-10-CHT

CLAMPS
62401-02-000 (2)

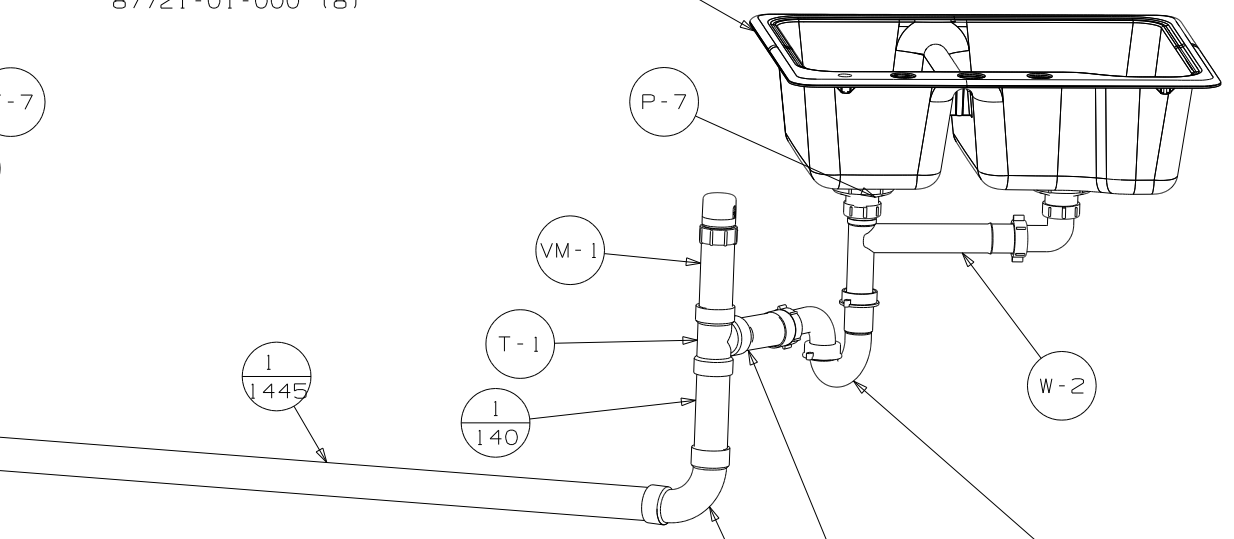
STRAP-CONDUIT, 2"
8406-01-000 (3)



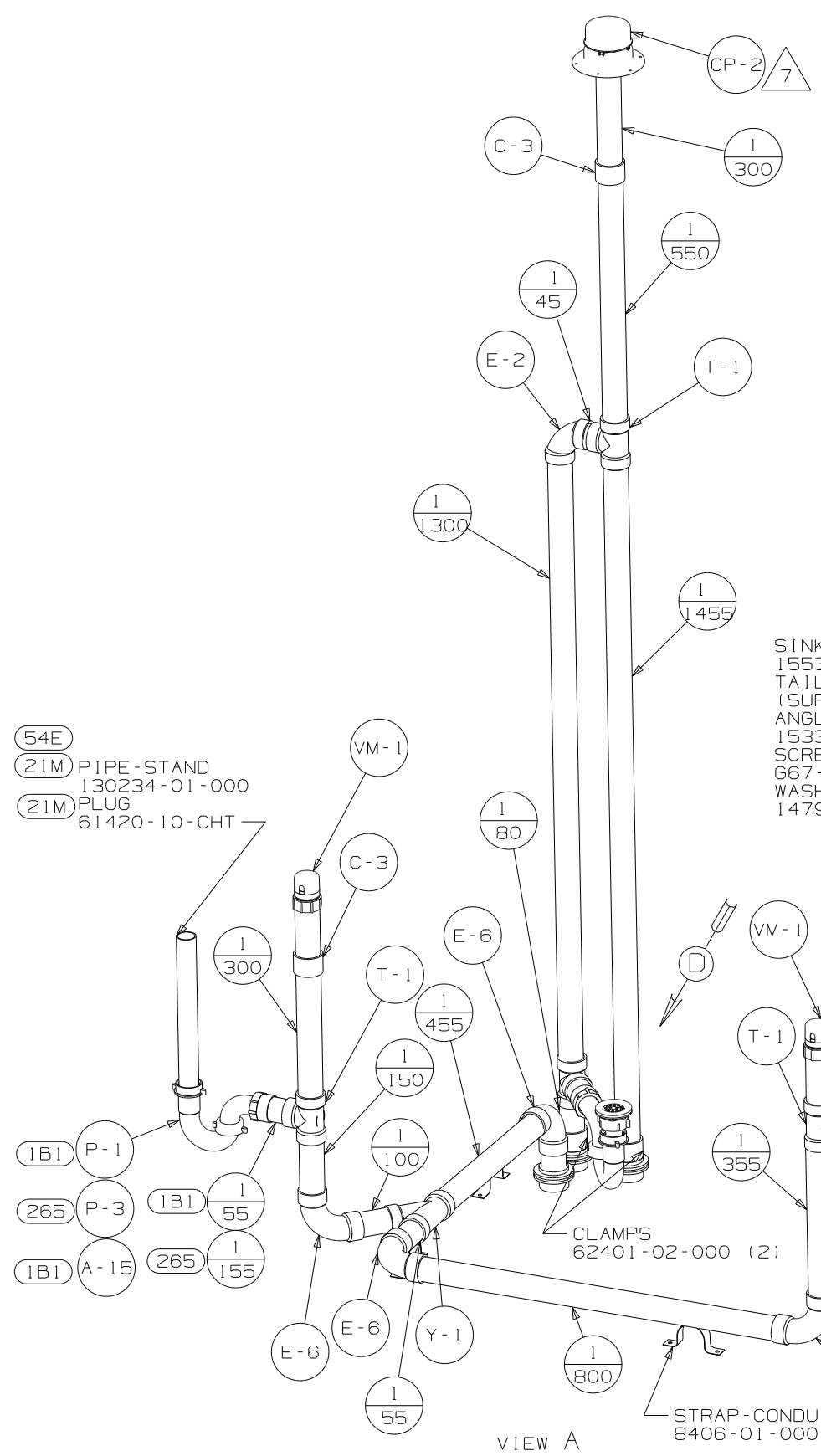
VIEW B



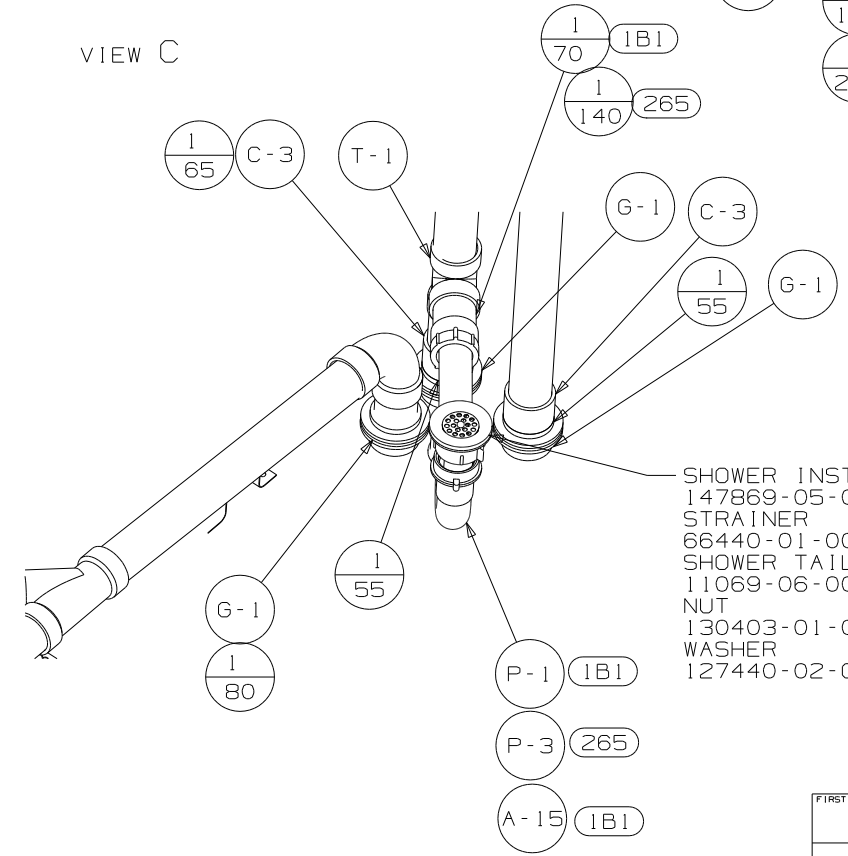
VIEW C



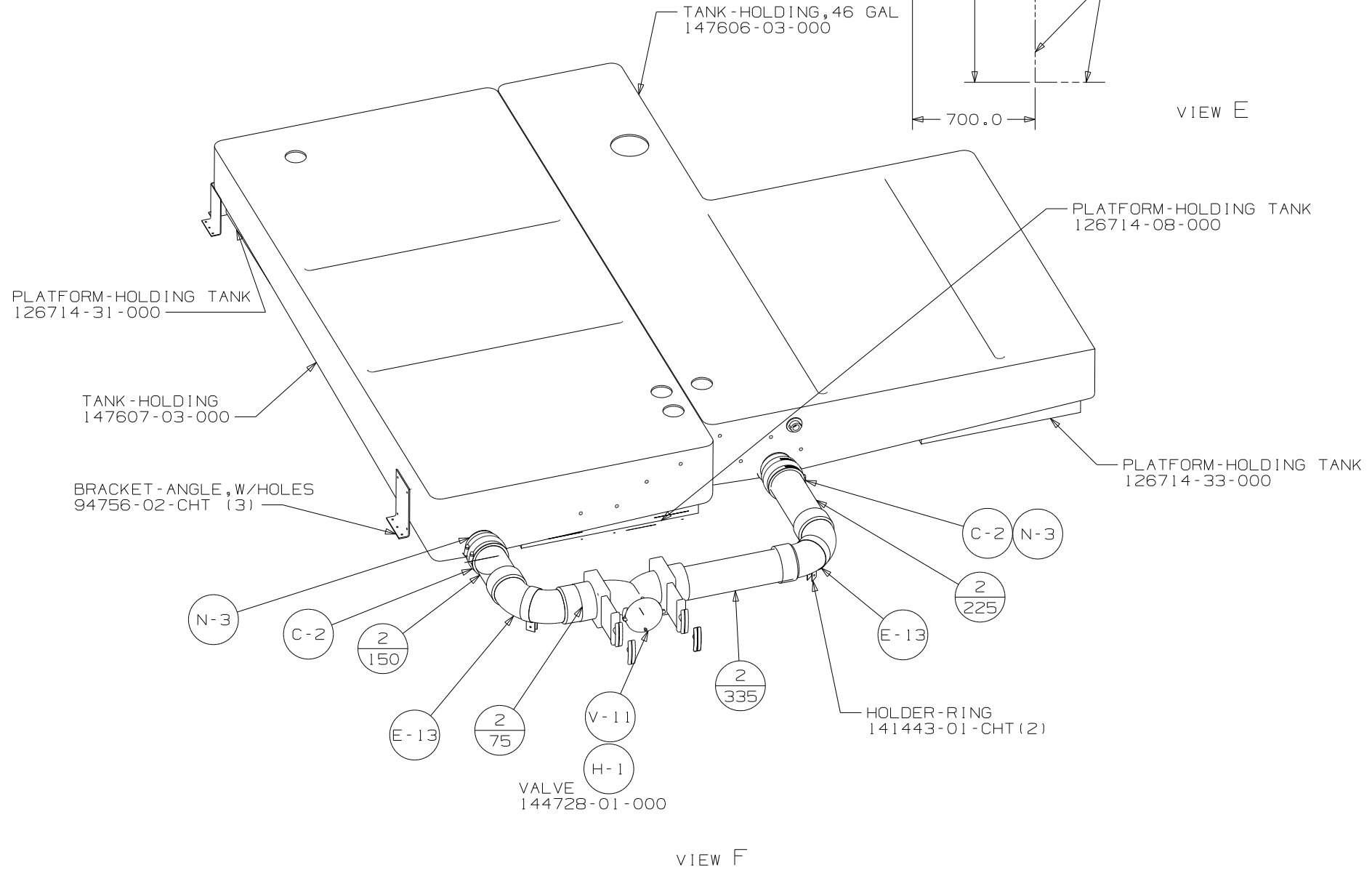
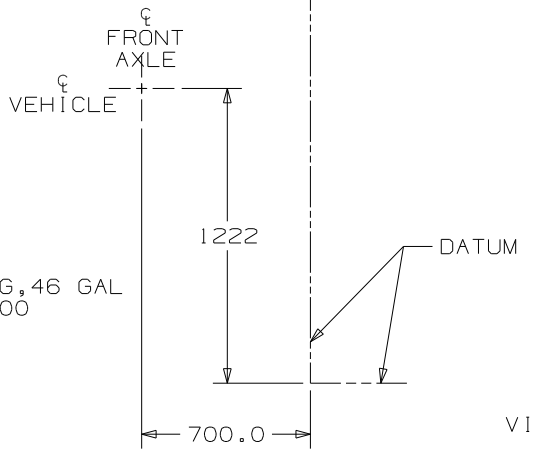
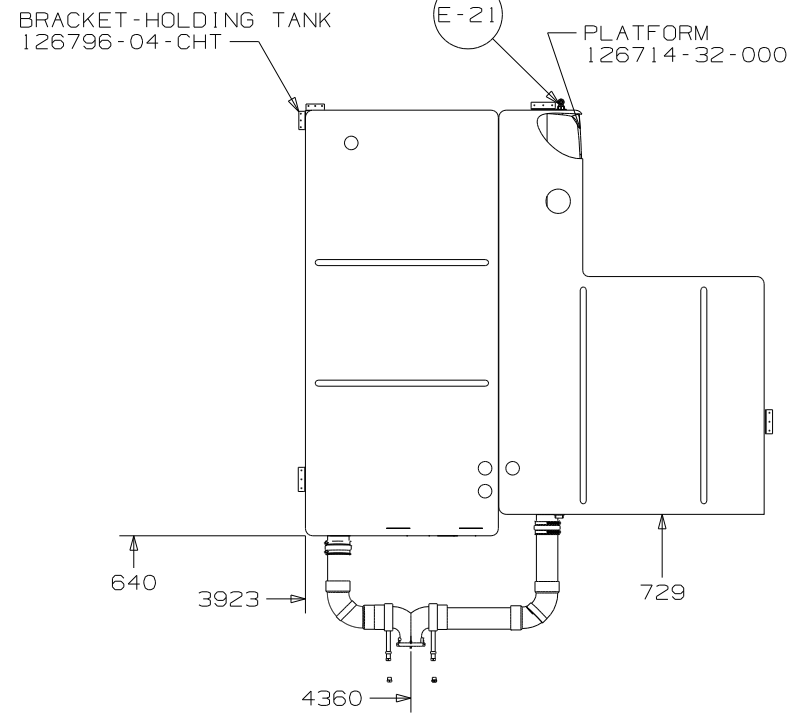
VIEW D



VIEW A



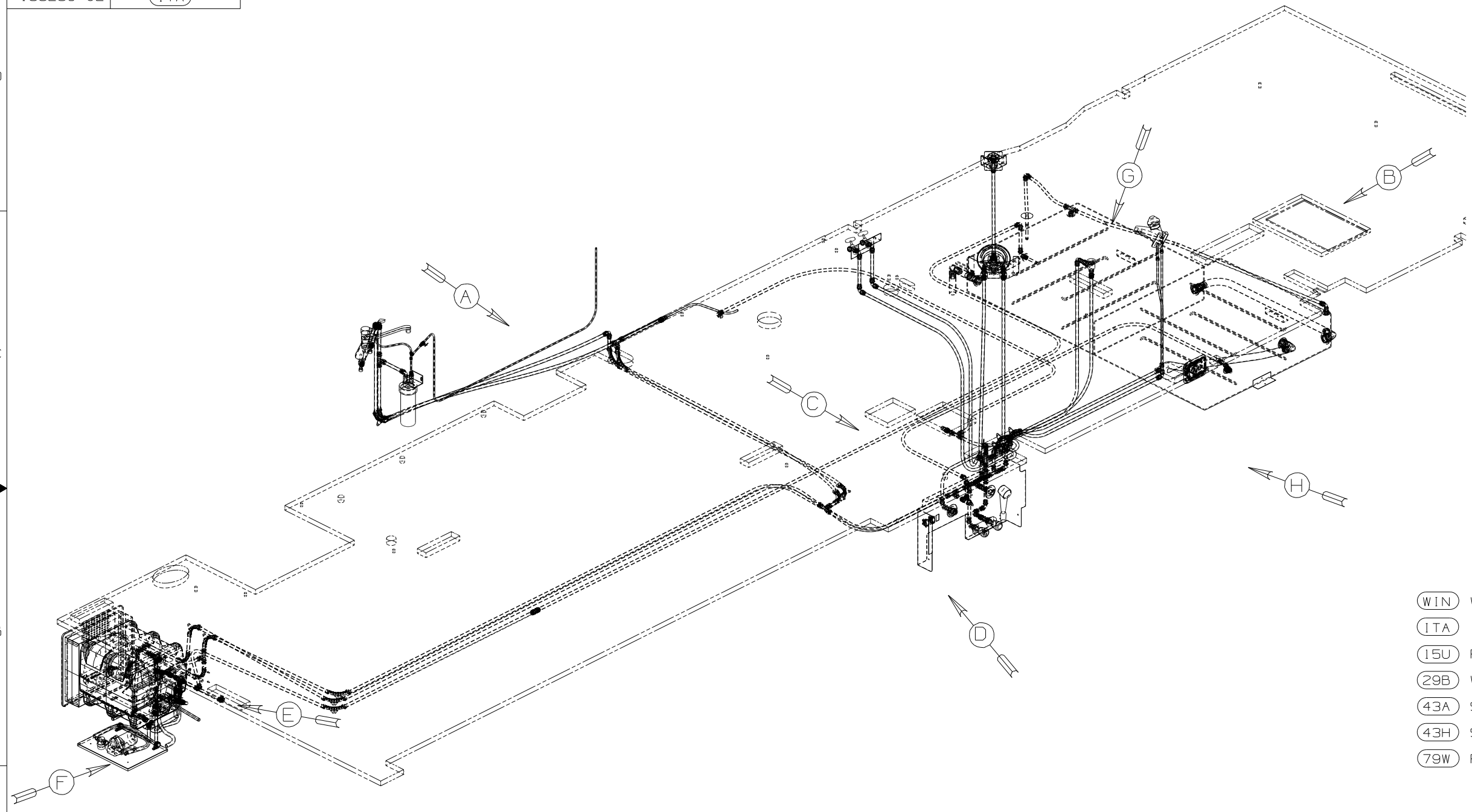
FIRST USED	06 G37B	
TITLE	DO NOT SCALE DRAWING	
TITLE	DRAINAGE SYSTEM INSTL	
SHEET 2	PART NO	153280
	REV	



FIRST USED	06 G37B		
TITLE	DO NOT SCALE DRAWING		
	DRAINAGE SYSTEM INSTL		
SHEET 3	PART NO	153280	REV

DWG NO	---
153286-01	(WIN)
153286-02	(ITA)

RELEASE	REV DATE	DWG NO
A		153286
REV ZONE	REVISION RECORD	DATE
		DFTR-0R16



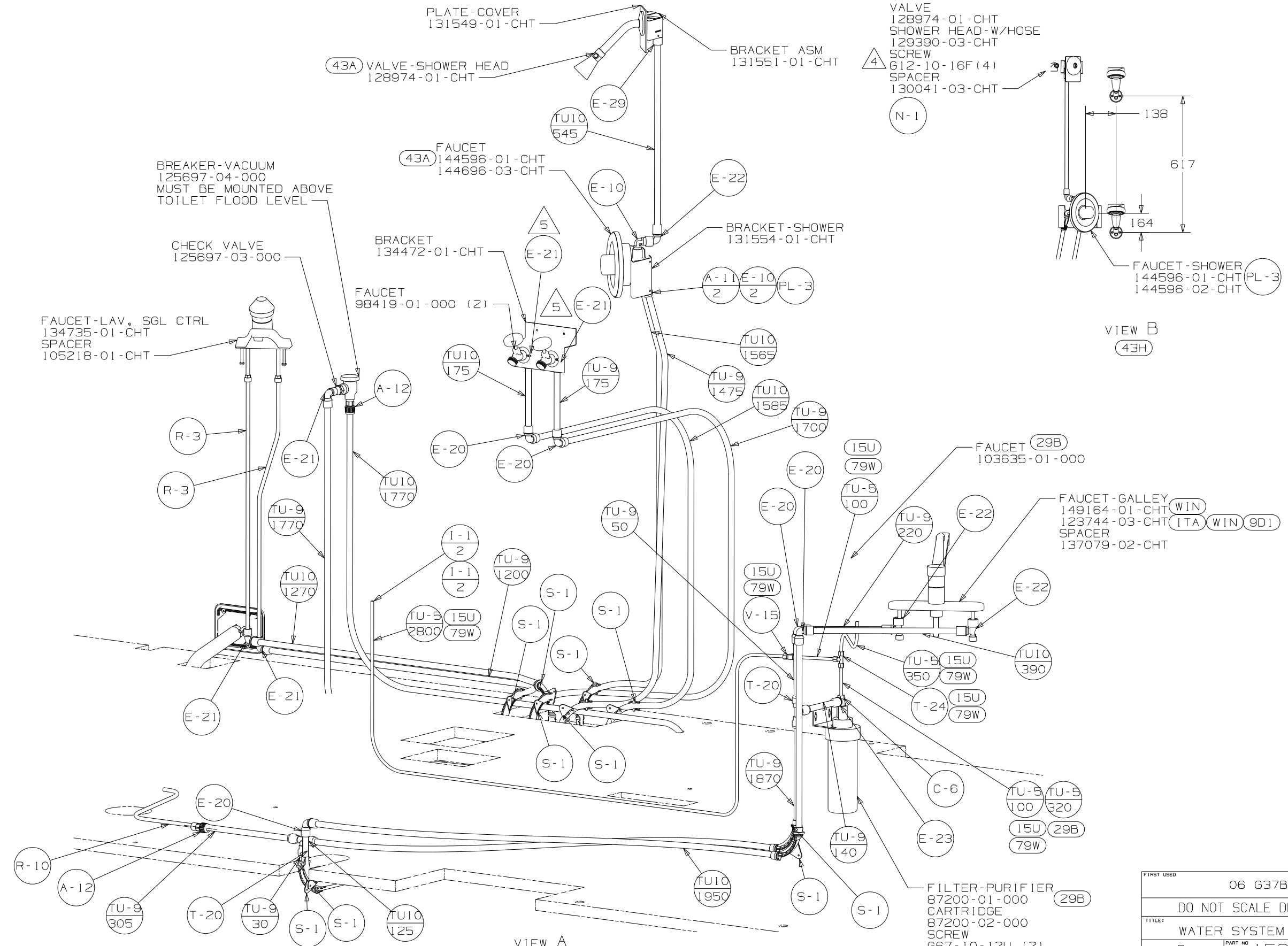
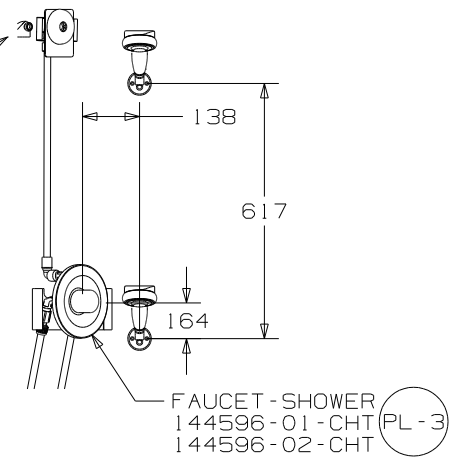
- (WIN) WINNEBAGO ONLY
- (ITA) ITASCA ONLY
- (15U) REFRIGERATOR/FRZR W/ICEMAKER
- (29B) WATER PURIFIER
- (43A) SHOWER HEAD-FIXED
- (43H) SHOWER HEAD-HAND HELD
- (79W) REFRIGERATOR 4-DOOR

- NOTES:
- △ 6 ADD TEFLON TAPE 10405-01-000.
 - △ 5 ADD TEFLON TAPE 10405-02-000.
 - △ 4 USED IN PLACE OF SUPPLIED SCREWS TO ATTACH BRACKET TO WALL.
 - 3. ALL TUBING TO BE SECURED AT 1200 INTERVALS MAXIMUM WITH CLAMP 10495-01-000 OR CLIP 9151-01-000 AND SCREW G67-10-12B.
 - 2. TUBING TO BE INSTALLED WITH SUFFICIENT SLOPE TO PROVIDE DRAINAGE TO NEAREST VALVE.
 - 1. PLASTIC FITTINGS TO BE SEALED WITH SEALANT 84456-01-000.

(X-X)
FOR
WATER
CALLOUTS
SEE DWG NO
116230-01-000

WINNEBAGO		COPYRIGHT 2006 WINNEBAGO INDUSTRIES, INC.	
DFTR	ORIG. DATE	ALL DIMENSIONS ARE IN MILLIMETERS	
CHKR		MATERIAL:	
P.E.		WHOLE DIM (X) :	7
M.E.		ONE-PLACE (X.X) :	<input checked="" type="checkbox"/>
DSNR		TWO-PLACE (X.XX) :	<input checked="" type="checkbox"/>
		ANGLE :	<input checked="" type="checkbox"/>
		THIRD ANGLE PROJECTION	<input checked="" type="checkbox"/>
DO NOT SCALE DRAWING			
TITLE: WATER SYSTEM INSTL			
SHEET 1 OF 4	PART NO	153286	REV

- DROP ELL 135028-02-CHT
- VALVE 128974-01-CHT
- SHOWER HEAD-W/HOSE 129390-03-CHT
- SCREW 612-10-16F (4)
- SPACER 130041-03-CHT
- (N-1)



BREAKER-VACUUM
125697-04-000
MUST BE MOUNTED ABOVE
TOILET FLOOD LEVEL

FAUCET-LAV, SGL CTRL
134735-01-CHT
SPACER
105218-01-CHT

PLATE-COVER
131549-01-CHT

(43A) VALVE-SHOWER HEAD
128974-01-CHT

(43A) FAUCET
144596-01-CHT
144696-03-CHT

BRACKET
134472-01-CHT

FAUCET
98419-01-000 (2)

BRACKET ASM
131551-01-CHT

BRACKET-SHOWER
131554-01-CHT

FAUCET (29B)
103635-01-000

FAUCET-GALLEY
149164-01-CHT (WIN)
123744-03-CHT (ITA) (WIN) (9D1)
SPACER
137079-02-CHT

FILTER-PURIFIER
87200-01-000 (29B)
CARTRIDGE
87200-02-000
SCREW
667-10-12U (2)

FIRST USED	06 G37B	
TITLE	DO NOT SCALE DRAWING	
TITLE	WATER SYSTEM INSTL	
SHEET 2	PART NO	153286
REV		

VIEW A

VIEW B (43H)

8

7

6

5

4

3

2

1

8

7

6

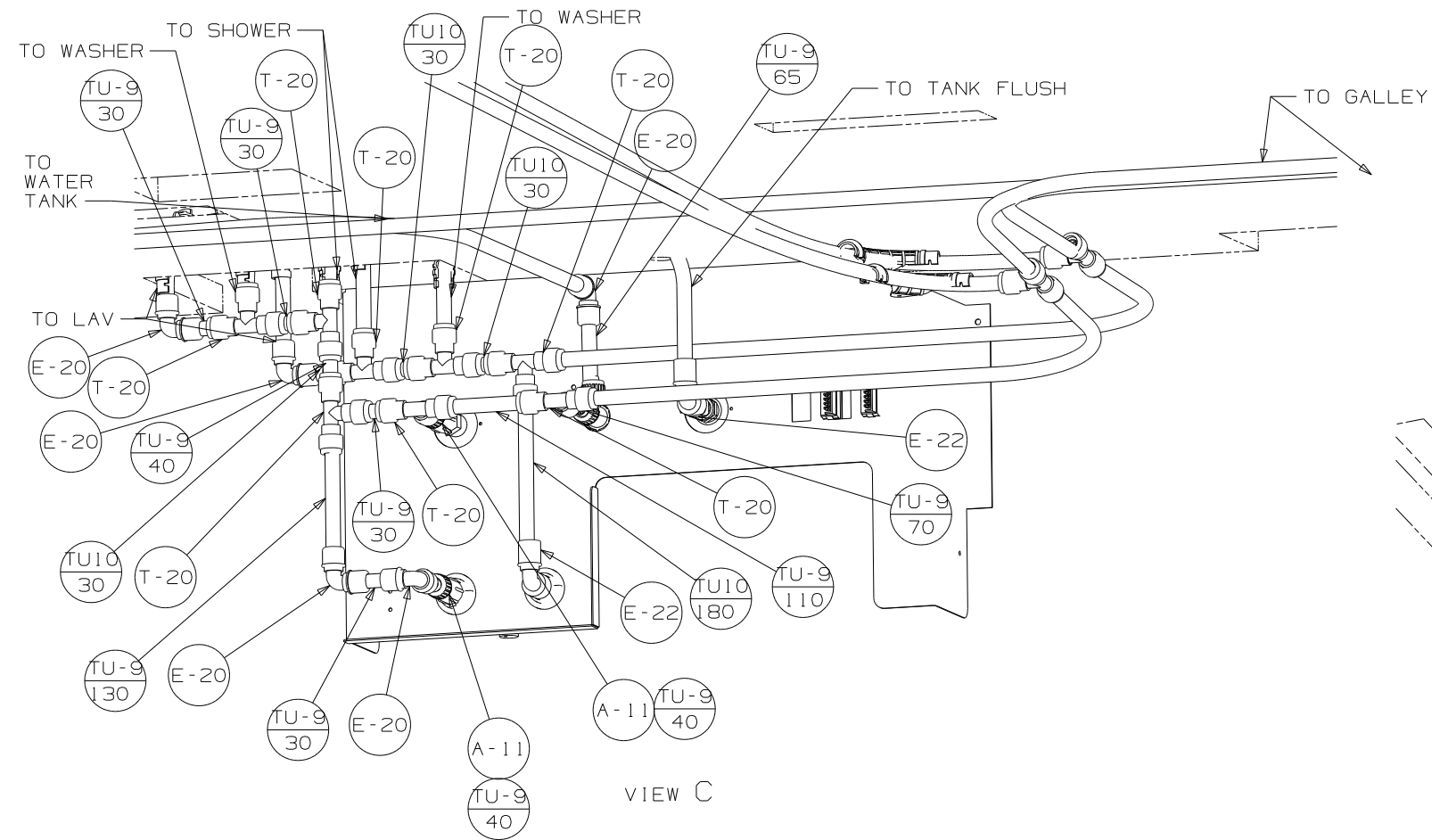
5

4

3

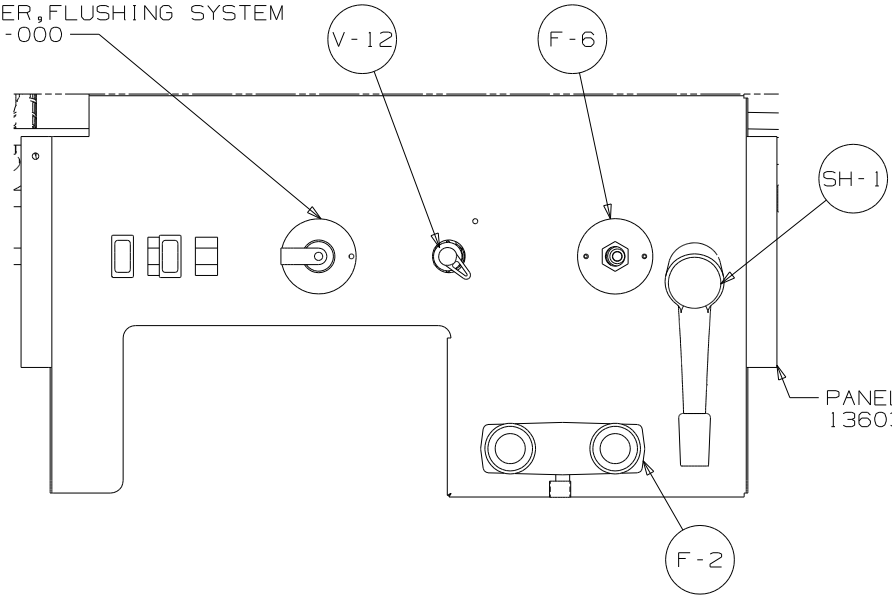
2

1



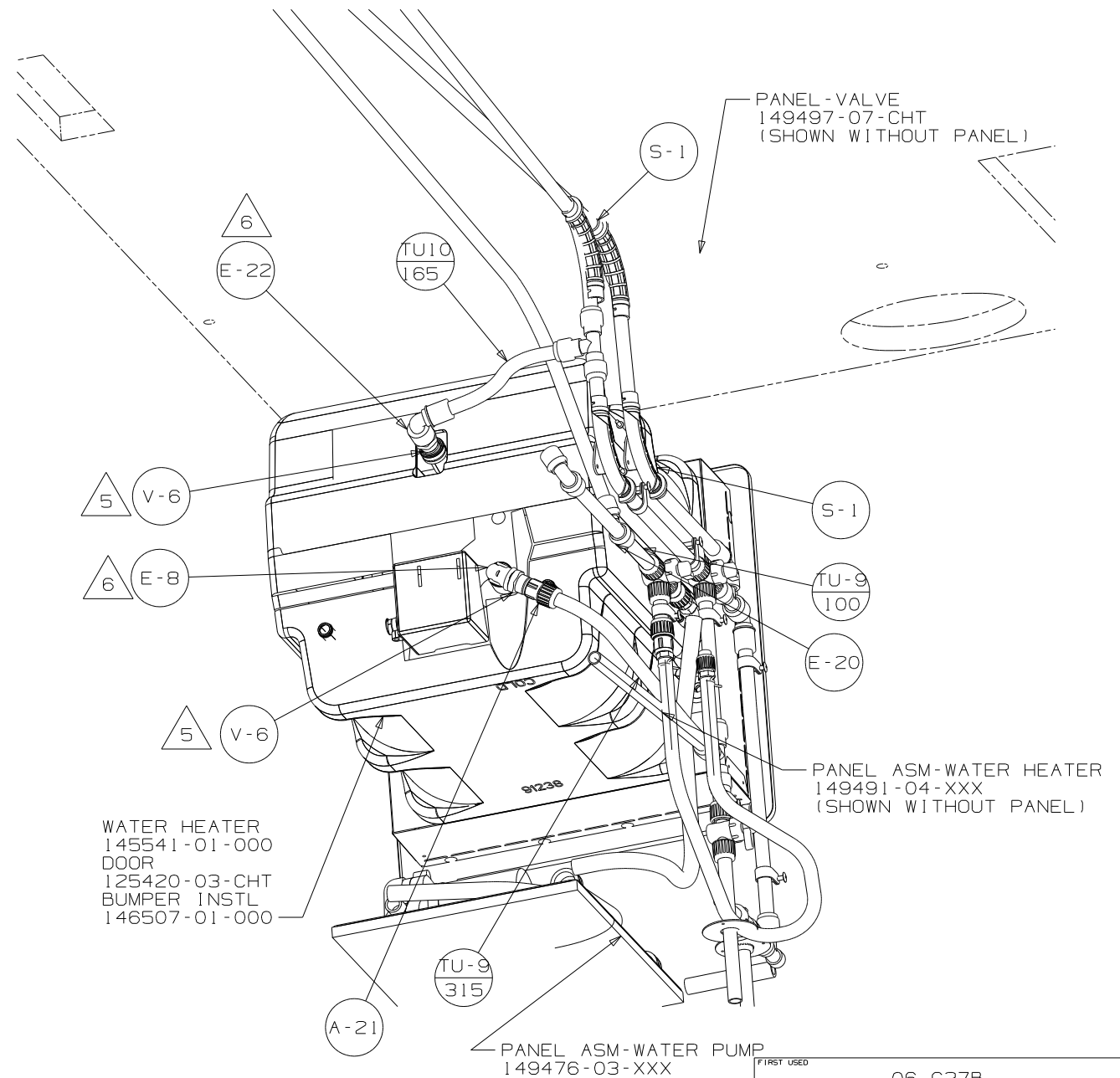
VIEW C

INLET-WATER, FLUSHING SYSTEM
125697-05-000



PANEL-SERVICE CENTER
136034-11-CHT

VIEW D



WATER HEATER
145541-01-000
DOOR
125420-03-CHT
BUMPER INSTL
146507-01-000

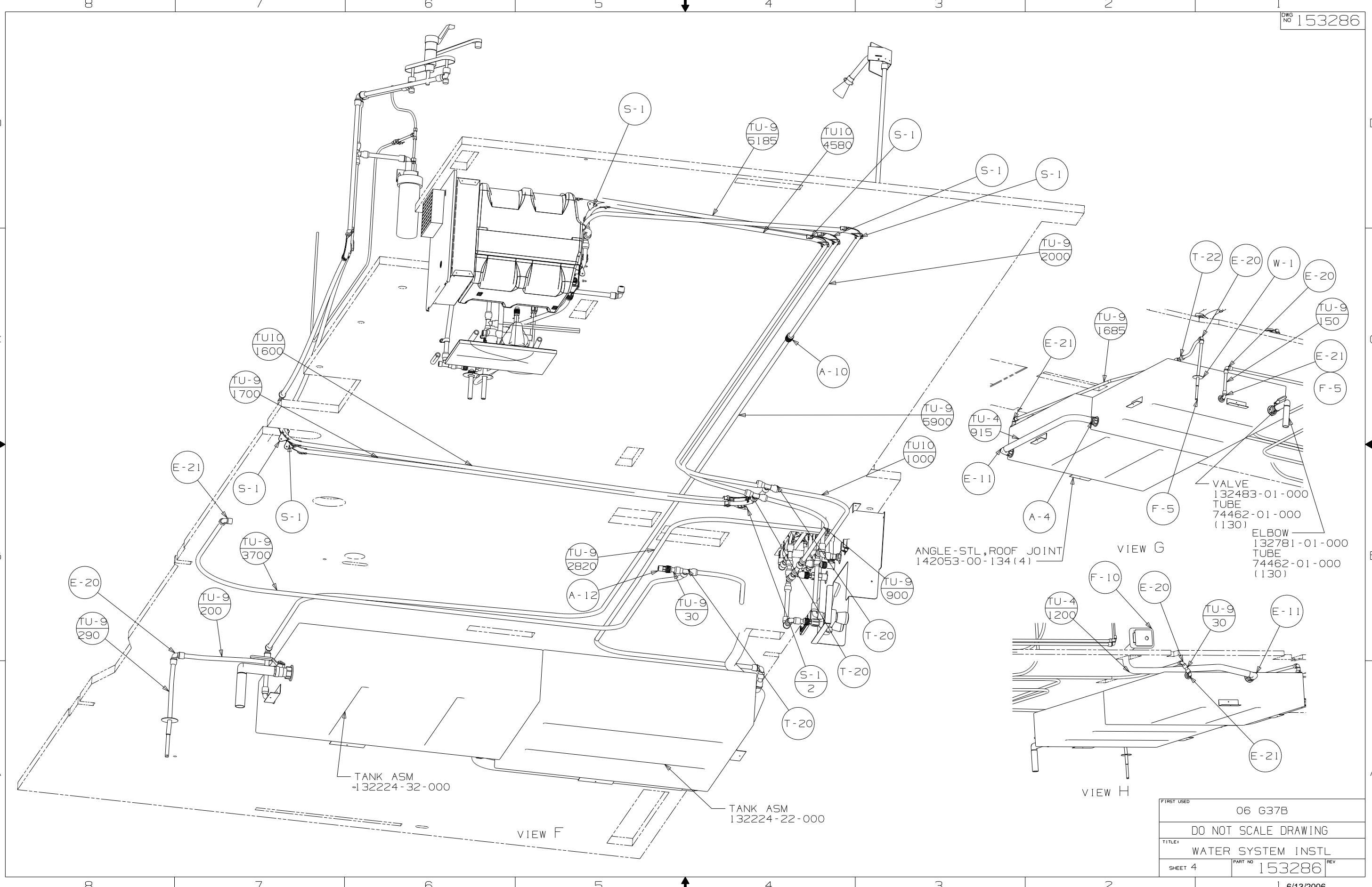
PANEL-VALVE
149497-07-CHT
(SHOWN WITHOUT PANEL)

PANEL ASM-WATER HEATER
149491-04-XXX
(SHOWN WITHOUT PANEL)

PANEL ASM-WATER PUMP
149476-03-XXX

VIEW E

FIRST USED	06 G37B	
TITLE	DO NOT SCALE DRAWING	
TITLE	WATER SYSTEM INSTL	
SHEET 3	PART NO	153286
REV		



FIRST USED	06 G37B
DO NOT SCALE DRAWING	
TITLE:	WATER SYSTEM INSTL
SHEET 4	PART NO 153286 REV