

Table of Contents

2006 Adventurer/Suncruiser G33V Wiring Diagram Book

110 Volt Load Center/Auto Transfer Switch
AC/Heat/EMS Wiring Diagram
Antenna Installation, Radio and CB
Auto Lamps Wiring Diagram
Automotive Wiring Diagram
Backup Monitor Installation
Body, 110 Volt Wiring Diagram
Body, 110 Volt Wiring Installation
Body, 12 Volt Wiring Diagram
Body, 12 Volt Wiring Installation
Chassis Electrical Box Assembly
Chassis Wiring Installation
Dash Radio Installation
Exterior Lamps Wiring Installation
Front End Wiring Installation
GPS Wiring Installation
Holding Tank Monitor Panel
Holding Tanks Wiring Diagram
TV Coax Wiring Diagram
TV/DVD, Front Wiring Installation

Complete Wiring Diagram Book (701674-75-031)





DANGER

Danger of electrical shock, burns or death. Always remove all power sources before attempting any repair, service or diagnostic work. Power can be present from shore power, generator, inverter or battery. All power sources must be disabled and secured before performing any service.



CAUTION

If you lack the skills, tools or equipment to perform diagnostic or repair work leave such work to an authorized Winnebago Industries dealer or other qualified shop.

	8	7	6	5	4	3	2	1
		G33V	G35A	G35U	G37B	G38J	G38R	G38T
BLK	14-UL	136131-06-032	136131-06-055	136131-06-036	136131-06-036	136131-06-040	136131-06-075	136131-06-015
	14-CA	136134-06-032	136134-06-055	136134-06-036	136134-06-036	136134-06-040	136134-06-075	136134-06-015
BLU	14-UL	136131-02-070	136131-02-230	136131-02-086	136131-02-086	136131-02-135	136131-02-190	136131-02-080
	14-CA	136134-02-070	136134-02-230	136134-02-086	136134-02-086	136134-02-135	136134-02-190	136134-02-080
BRN	14-UL	136131-03-095	136131-03-070	136131-03-130	136131-03-118	136131-03-045	136131-03-135	136131-03-200
	14-CA	136134-03-095	136134-03-070	136134-03-130	136134-03-118	136134-03-045	136134-03-135	136134-03-200
GLD	12-UL	N/A	136135-10-063	N/A	136135-10-095	136135-10-068	136135-10-106	136135-10-047
	12-CA	N/A	136136-10-063	N/A	136136-10-095	136136-10-068	136136-10-106	136136-10-047
GRN	12-UL	136135-08-095	136135-08-067	136135-08-092	136135-08-112	136135-08-065	136135-08-045	136135-08-091
	12-CA	136136-08-095	136136-08-067	136136-08-092	136136-08-112	136136-08-065	136136-08-045	136136-08-091
	12-UL	136135-08-114	136135-08-090	136135-08-112	136135-08-118	136135-08-095	136135-08-080	136135-08-108
	12-CA	136136-08-114	136136-08-090	136136-08-112	136136-08-118	136136-08-095	136136-08-080	136136-08-108
GRN 2	12-UL	136135-14-054	136135-14-054	136135-14-054	136135-14-054	136135-14-054	136135-14-054	136135-14-054
	12-CA	136136-14-054	136136-14-054	136136-14-054	136136-14-054	136136-14-054	136136-14-054	136136-14-054
PUR	14-UL	136131-04-200	136131-04-168	136131-04-175	136131-04-140	136131-04-140	136131-04-165	136131-04-090
	14-CA	136134-04-200	136134-04-168	136134-04-175	136134-04-140	136134-04-140	136134-04-165	136134-04-090
RED	12-UL	136135-07-114	136135-07-090	136135-07-112	136135-07-118	136135-07-095	136135-07-080	136135-07-108
	12-CA	136136-07-114	136136-07-090	136136-07-112	136136-07-118	136136-07-095	136136-07-080	136136-07-108
WHT	12-UL	136135-09-075	136135-09-050	136135-09-082	136135-09-100	136135-09-040	136135-09-130	136135-09-075
	12-CA	136136-09-075	136136-09-050	136136-09-082	136136-09-100	136136-09-040	136136-09-130	136136-09-075
YEL	14-UL	136131-05-032	136131-05-050	136131-05-036	136131-05-036	136131-05-055	136131-05-100	136131-05-025
	14-CA	136134-05-032	136134-05-050	136134-05-036	136134-05-036	136134-05-055	136134-05-100	136134-05-025
YEL 2	14-UL	136131-13-043	136131-13-055	136131-13-050	136131-13-050	136131-13-055	136131-13-100	136131-13-050
	14-CA	136134-13-043	136134-13-055	136134-13-050	136134-13-050	136134-13-055	136134-13-100	136134-13-050
GRY	14-UL	----	----	----	----	-----	-----	136131-15-080
	14-CA	----	----	----	----	-----	-----	136134-15-080
MAIN	10-UL	136137-01-095	136137-01-067	136137-01-092	136137-01-112	136137-01-060	136137-01-045	136137-01-089
	10-CA	136138-01-095	136138-01-067	136138-01-092	136138-01-112	136138-01-060	136138-01-045	136138-01-089
	6-3 UL	136139-01-095	136139-01-067	136139-01-092	136139-01-112	136139-01-060	136139-01-045	136139-01-089
	6-3 CA	136140-01-095	136140-01-067	136140-01-092	136140-01-112	136140-01-060	136140-01-045	136140-01-089
MAIN GROUND		136145-01-030	136145-01-045	136145-01-036	136145-01-036	136145-01-045	136145-01-100	136145-01-012
ATS GROUND		136145-01-061	136145-01-048	136145-01-066	136145-01-080	136145-01-061	136145-01-076	136145-01-081
CONDUIT ASM-CENTRAL A/C		151704-01-015	151704-01-015	151704-01-015	151704-01-015	151704-01-015	151704-01-015	151704-01-015

REV	ZONE	DATE	DESCRIPTION	DATE	DFTR	ORIG
B	S3,4		MODULE EMS 127002-11 WAS -08	10/15/04	2245	5643
C	S1S2		ADD 06 G38J	10/26/04	3728	5643
D	S1S2		ADD 06 G37B	11/15/04	3728	5643
E	S1S2		ADD 06 G38T	12/14/04	1612	5643
F	S1S2		ADDING AND CORRECTING OPTION 400	01/13/05	3728	5643
G	S1		CHANGE LENGTHS ON G33V	02/22/05	3728	4216
H	S1S2		MISC WIRE LENGTH CHANGES AND ADD 06 G35A	03/04/05	3728	5643
J	S1S2		MULTIPLE CHANGES	03/24/05	2245	5643
K	S1,2		MULTIPLE CHANGES	04/12/05	2245	
L	S1		ADD FEATURE 14C TO THE GRAY CIRCUIT	04/14/05	3728	5643
M	S1S2		ADD G35U TO PRINT AND CORRECT SEVERAL LENGTHS	04/21/05	3728	5643
N	S1,2		CHANGED LENGTH; REMOVED G386 COLUMN	05/09/05	2245	5643
P	S1,2		CHANGED LENGTHS	05/31/05	2245	5643
R	---		ADDING CONVOLUTED TUBING TO SLIDOUT WIRES	06/17/05	3728	5643
S	S1S2		CHANGE LENGTHS	07/01/05	3728	5643
T	S2, D4		DELTA NOTE 5 ON G37B THROW IN WIRE #3 WAS DELTA 1	07/12/05	2245	5643
U	S1,2		LENGTH CHANGES ON G38T	08/29/05	2245	5643
V	SHT2		CHANGED LABEL ON GREY BREAKER FROM 20 TO 15	09/30/05	6567	0337

(21M) (54E)

(21M) (54E)

(12D)

(12D)

(78J)

(78J)

(12D)

(12D)

(14C)

(14C)

(12D)

(12D)

(78J)

(78J)

- (14C) FIREPLACE-ELECTRIC
- (78J) ELECTRICAL SYSTEM - 50 AMP
- (54E) WASHER/DRYER
- (265) CODES/STANDARDS - CSA/CMVSS
- (21M) WASHER/DRYER - PREP
- (1B1) CODES/STANDARDS - USA
- (12D) ELECTRICAL SYSTEM - 30 AMP

WINNEBAGO COPYRIGHT 2004 WINNEBAGO INDUSTRIES, INC.

DFTR: _____ ORIG. DATE: _____

CHKR: _____ ALL DIMENSIONS ARE IN MILLIMETERS

P.E.: _____

M.E.: _____ FIRST USED: _____

DSNR: _____ 06 G-SERIES

UNSPECIFIED TOLERANCES ARE: MATERIAL:

HOLE DIM (X) : _____

ONE-PLACE (X.X) : _____

TWO-PLACE (X.XX) : _____

ANGLE : _____

THIRD ANGLE PROJECTION

DO NOT SCALE DRAWING

TITLE: **LOAD CENTER/ATS ASM**

SHEET 1 OF 5 PART NO: **153077**

REF: **1 10/4/2005**

SEE DETAIL EA
NOTES:

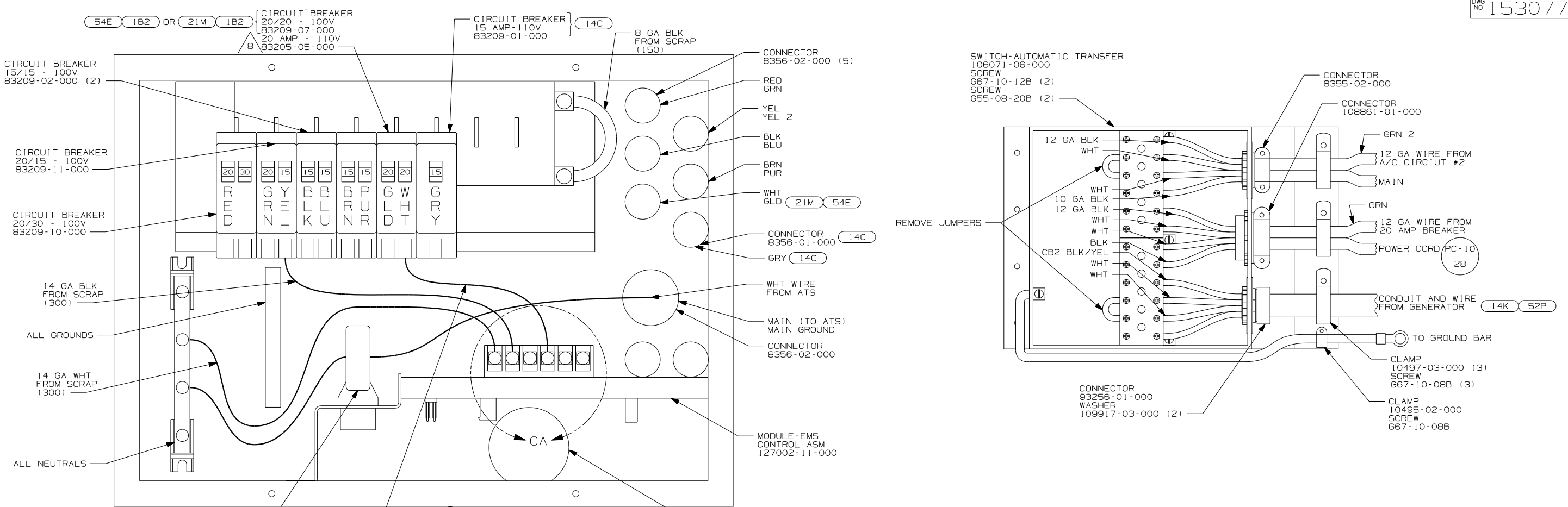
	8	7	6	5	4	3	2	1
		G33V	G35A	G35U	G37B	G38J	G38R	G38T
THROW IN WIRE #1	14-UL	136131-03-055	136131-03-055	136131-03-065	136131-03-055	136131-03-055	136131-03-045	136131-13-010
THROW IN WIRE #2	14-UL	136131-04-018 (49M)	136131-04-018 (49M)	136131-04-088	136131-04-018 (49M)	136131-04-018 (49M)	136131-04-088	136131-03-060
	14-CA	136134-04-018 (49M)	136134-04-018 (49M)	136134-04-088	136134-04-018 (49M)	136134-04-018 (49M)	136134-04-088	136134-03-060
THROW IN WIRE #3	14-UL	136131-12-100	136131-02-021	136131-12-070	136131-12-165	136131-03-006	136131-12-085	136131-12-165
	14-CA	136134-12-100	136134-02-021	136134-12-070	136134-12-165	136134-03-006	136134-12-085	136134-12-165
THROW IN WIRE #4	14-UL	136131-12-006 (40D)	136131-02-026	136131-12-006 (40D)	136131-12-020	136131-12-030	136131-03-060	136131-04-130
	14-CA	136134-12-006 (40D)	136134-02-026	136134-12-006 (40D)	136134-12-020	136134-12-030	136134-03-060	136134-04-130
THROW IN WIRE #5	14-UL	N/A	136131-12-075	N/A	136131-03-115	136131-03-075	136131-12-006 (40D)	136131-12-055
	14-CA	N/A	136134-12-075	N/A	136134-03-115	136134-03-075	136134-12-006 (40D)	136134-12-055
THROW IN WIRE #6	14-UL	N/A	136131-12-006 (40D)	N/A	136131-12-006 (40D)	136131-12-155	----	136131-15-035 (14C)
	14-CA	N/A	136134-12-006 (40D)	N/A	136134-12-006 (40D)	136134-12-155	----	136134-15-035 (14C)
THROW IN WIRE #7	14-UL	----	----	----	----	136131-12-006	----	136131-12-006 (40D)
	14-CA	----	----	----	----	136134-12-006	----	136134-12-006 (40D)
SLIDEOUT WIRE #1		136151-03-026	136151-03-026	136151-03-026	136151-03-026	136151-03-038	136151-03-030	136151-05-028
SLIDEOUT WIRE #2		136151-04-017	136151-04-017	136151-04-017	136151-04-017	136151-04-017	136151-02-017	136151-03-028
SLIDEOUT WIRE #3		N/A	136151-06-022	N/A	136151-12-019	136151-06-038	136151-06-030	136151-04-017
SLIDEOUT WIRE #4		N/A	136151-02-022	N/A	N/A	136151-12-025	N/A	136151-12-017
SLIDEOUT WIRE #5		N/A		N/A	N/A	136151-03-025	N/A	136151-15-017

- SEE DETAIL EF
- SEE DETAIL EE
- SEE DETAIL ED
- SEE DETAIL EC
- SEE DETAIL EB
- SEE DETAIL EA

NOTES:

- FIREPLACE-ELECTRIC
- INVERTER-DC/AC,600 WATT
- ELECTRICAL SYSTEM - 50 AMP
- SLEEP NUMBER BED-QUEEN SIZE
- CODES/STANDARDS - CSA/CMVSS
- CODES/STANDARDS - USA
- ELECTRICAL SYSTEM - 30 AMP

FIRST USED	06 G-SERIES
TITLE	DO NOT SCALE DRAWING
TITLE	LOAD CENTER/ATS ASM
SHEET 2	PART NO 153077



14 GA BLK FROM SCRAP (300)

ALL GROUNDS

14 GA WHT FROM SCRAP (300)

ALL NEUTRALS

SENSOR CURRENT 127002-07-000

12 GA BLK FROM SCRAP (300)

LOAD CENTER - 120/240, 100A
141258-01-000 COVER
141258-02-000 (9)
SCREW
G67-10-12B (4)
(SHOWN WITH COVER REMOVED)

GROMMET 114208-05-000

MODULE - EMS CONTROL ASM 127002-11-000

CONNECTOR 8356-01-000 (14C)

GRY (14C)

WHT WIRE FROM ATS

MAIN (TO ATS) MAIN GROUND

CONNECTOR 8356-02-000

WHT GLD (21M 54E)

RED GRN

YEL YEL 2

BLK BLU

BRN PUR

8 GA BLK FROM SCRAP (150)

CIRCUIT BREAKER 15/15 - 100V 83209-02-000 (2)

CIRCUIT BREAKER 20/15 - 100V 83209-11-000

CIRCUIT BREAKER 20/30 - 100V 83209-10-000

CIRCUIT BREAKER 20/20 - 100V 83209-07-000
20 AMP - 110V 83205-05-000

CIRCUIT BREAKER 15 AMP - 110V 83209-01-000 (14C)

CONNECTOR 8356-02-000 (5)

SWITCH-AUTOMATIC TRANSFER 106071-06-000
SCREW G67-10-12B (2)
SCREW G55-08-20B (2)

CONNECTOR 8355-02-000

CONNECTOR 108861-01-000

GRN 2

12 GA WIRE FROM A/C CIRCUIT #2

MAIN

GRN

12 GA WIRE FROM 20 AMP BREAKER

POWER CORD PC-10 (28)

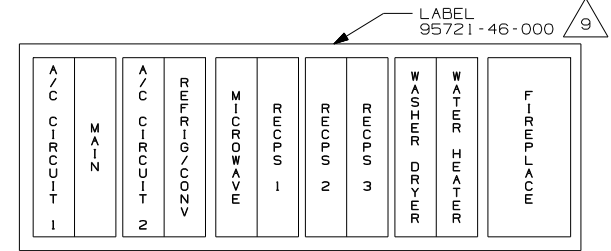
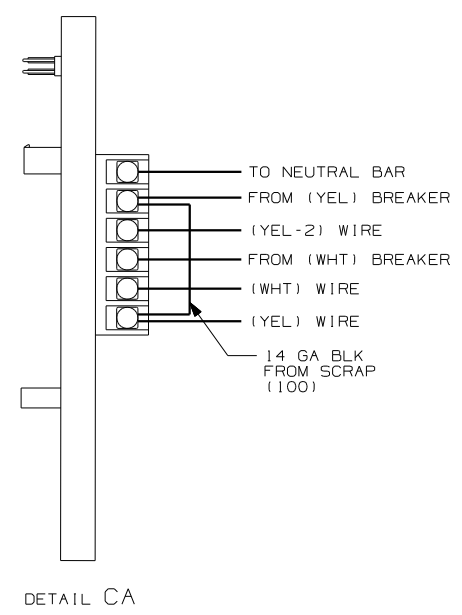
CONDUIT AND WIRE FROM GENERATOR (14K 52P)

TO GROUND BAR

CLAMP 10497-03-000 (3)
SCREW G67-10-08B (3)

CLAMP 10495-02-000
SCREW G67-10-08B

CONNECTOR 93256-01-000
WASHER 109917-03-000 (2)



INSTALL LABEL ON FRONT COVER PLATE BELOW THE BREAKERS

LABEL 95721-46-000 (9)

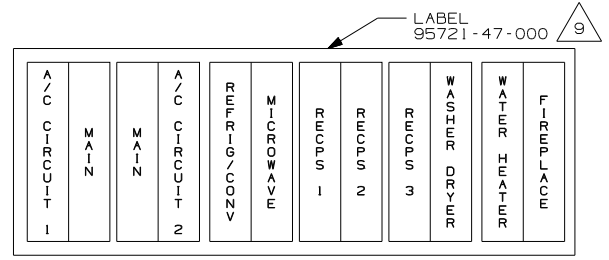
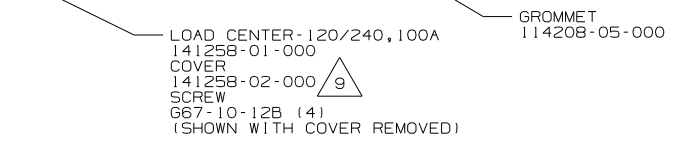
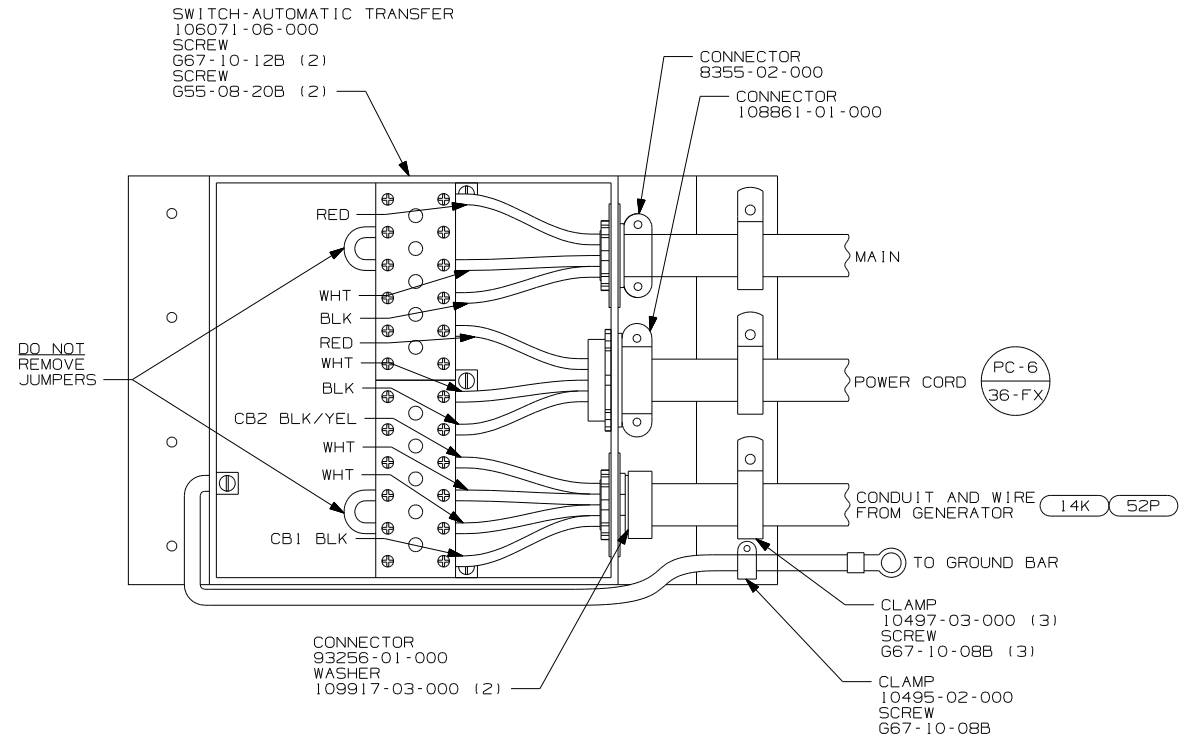
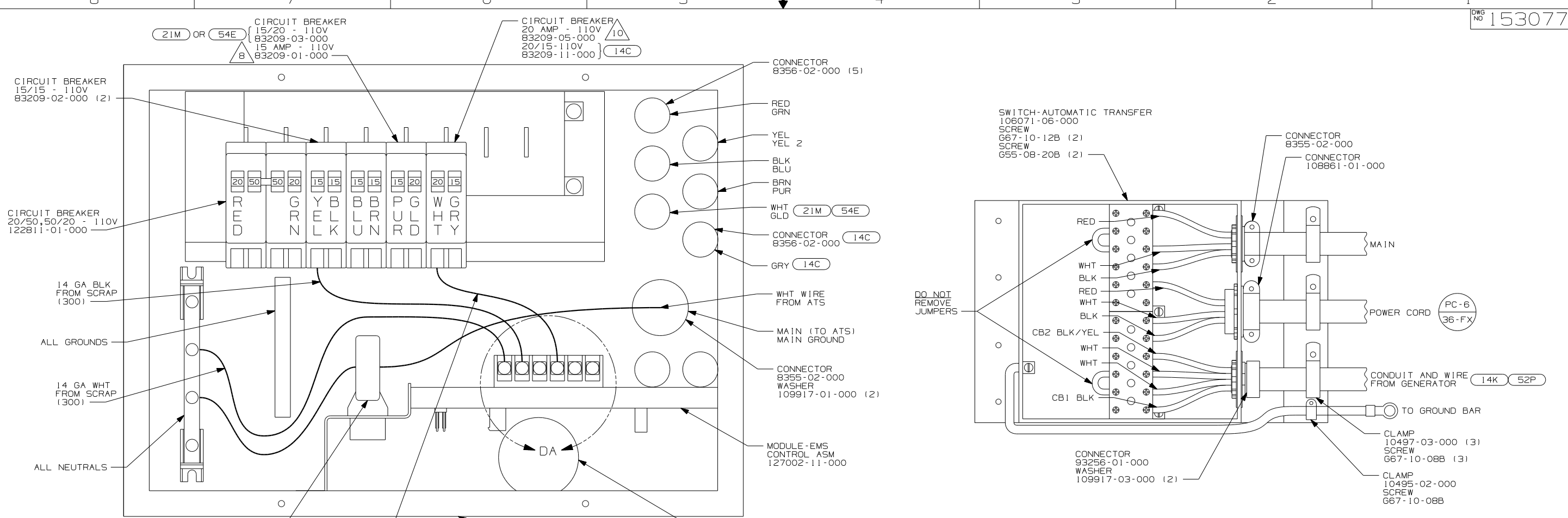
- (9) INSTALLED BY ASSEMBLY LINE
- (8) WITHOUT (21M) OR (54E).
- ALL GROUND WIRES TO BE COVERED WITH TUBING 8041-02-000.
 - GROUND WIRES ARE NOT SHOWN FOR CLARITY.
 - ALL WIRES TO BE CLAMPED WITHIN 200MM OF ATS.
 - ALL 110V STRANDED WIRE W/O TERMINALS TO BE STRIPPED 10MM AND SOLDER DIPPED.
 - ATTACH WIRES TO BACKSIDE OF LOAD CENTER, USE EXISTING HOLES AND TIE-WIRE 116673-01-000.
 - WIRE TIE THE FOLLOWING WIRES FOR THE FIRST 1600MM; RED, GREEN, PURPLE, BROWN, 10/2, BLACK, YELLOW, YELLOW-2, AND WHITE, LEAVE THE BLUE WIRE OUT OF THE WIRE TIES.
 - ALL WIRES MUST BE 500MM LONG INSIDE BOX.

- (14C) FIREPLACE-ELECTRIC
- (1B2) WTR HTR-10GAL/ELEC/LP/MTR/1D
- (54E) WASHER/DRYER
- (52P) GEN-5.5KW ONAN-GAS-MARQ GOLD
- (265) CODES/STANDARDS - CSA/CMVSS
- (21M) WASHER/DRYER - PREP
- (1B1) CODES/STANDARDS - USA
- (14K) GEN-7.0KW ONAN-GAS-MARQ GOLD
- (12D) ELECTRICAL SYSTEM - 30 AMP

FIRST USED	06 G-SERIES
TITLE	DO NOT SCALE DRAWING
TITLE	LOAD CENTER/ATS ASM
SHEET 3	PART NO 153077

FOR ELECTRICAL TORQUE SPECIFICATIONS SEE DWG NO. 128783-01-000

(X-X) FOR ELECTRICAL CALLOUTS SEE DWG NO. 121339-01-000



INSTALL LABEL ON FRONT COVER PLATE BELOW THE BREAKERS

- 10 W/OUT (14C).
- 9 INSTALLED BY ASSEMBLY LINE
- 8 W/OUT (21M) OR (54E).

7. ALL WIRES MUST BE 500MM LONG INSIDE BOX.
6. WIRE TIE THE FOLLOWING WIRES FOR THE FIRST 1600MM; RED, GREEN, PURPLE, BROWN, 10/2, BLACK, YELLOW, YELLOW 2, AND WHITE, LEAVE THE BLUE WIRE OUT OF THE WIRE TIES.
5. ATTACH WIRES TO BACKSIDE OF LOAD CENTER, USE EXISTING HOLES AND TIE-WIRE 116673-01-000.
4. ALL 110V STRANDED WIRE W/O TERMINALS TO BE STRIPED 10MM AND SOLDER DIPPED.
3. ALL WIRES TO BE CLAMPED WITHIN 200MM OF ATS.
2. GROUND WIRES ARE NOT SHOWN FOR CLARITY.
1. ALL GROUND WIRES TO BE COVERED WITH TUBING 8041-02-000.

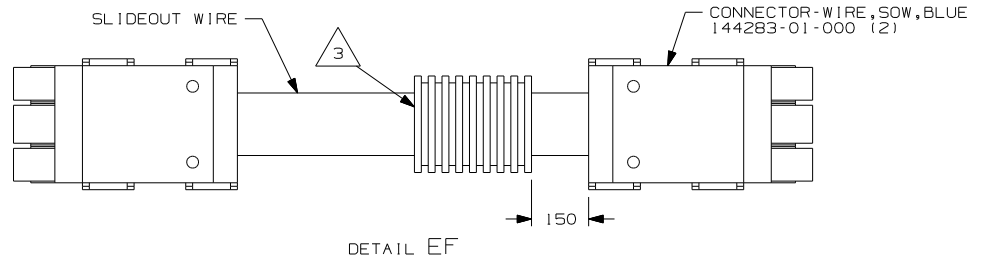
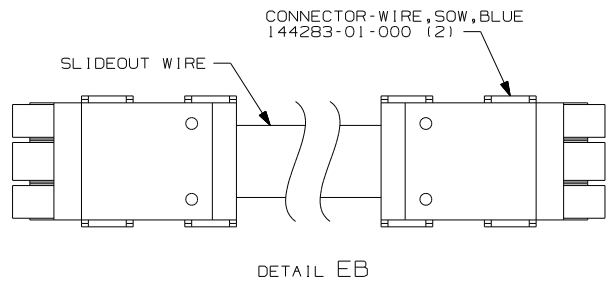
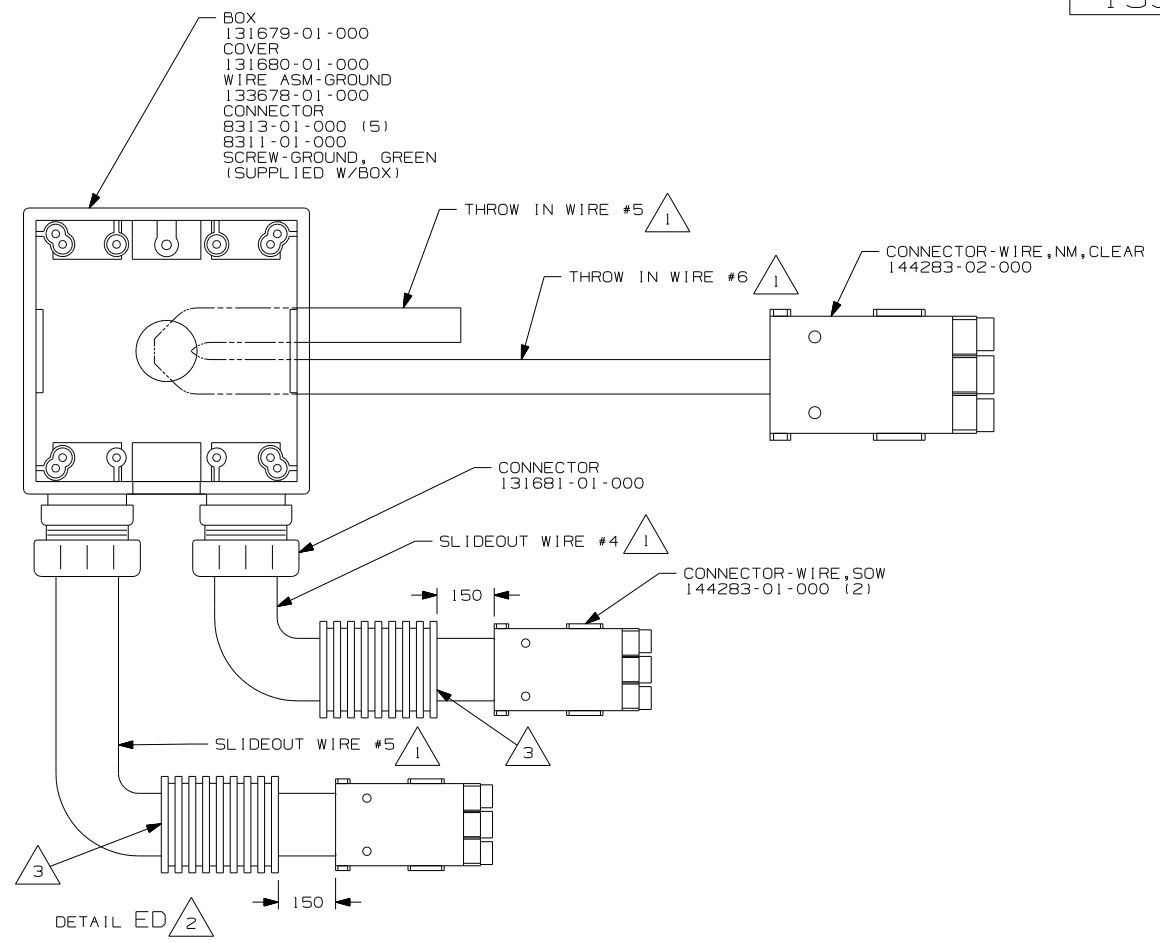
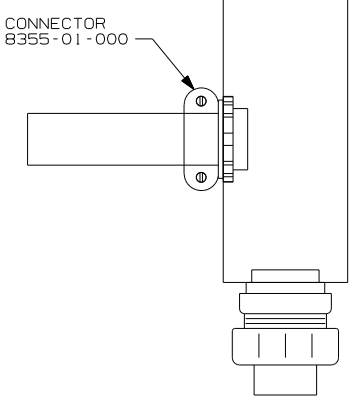
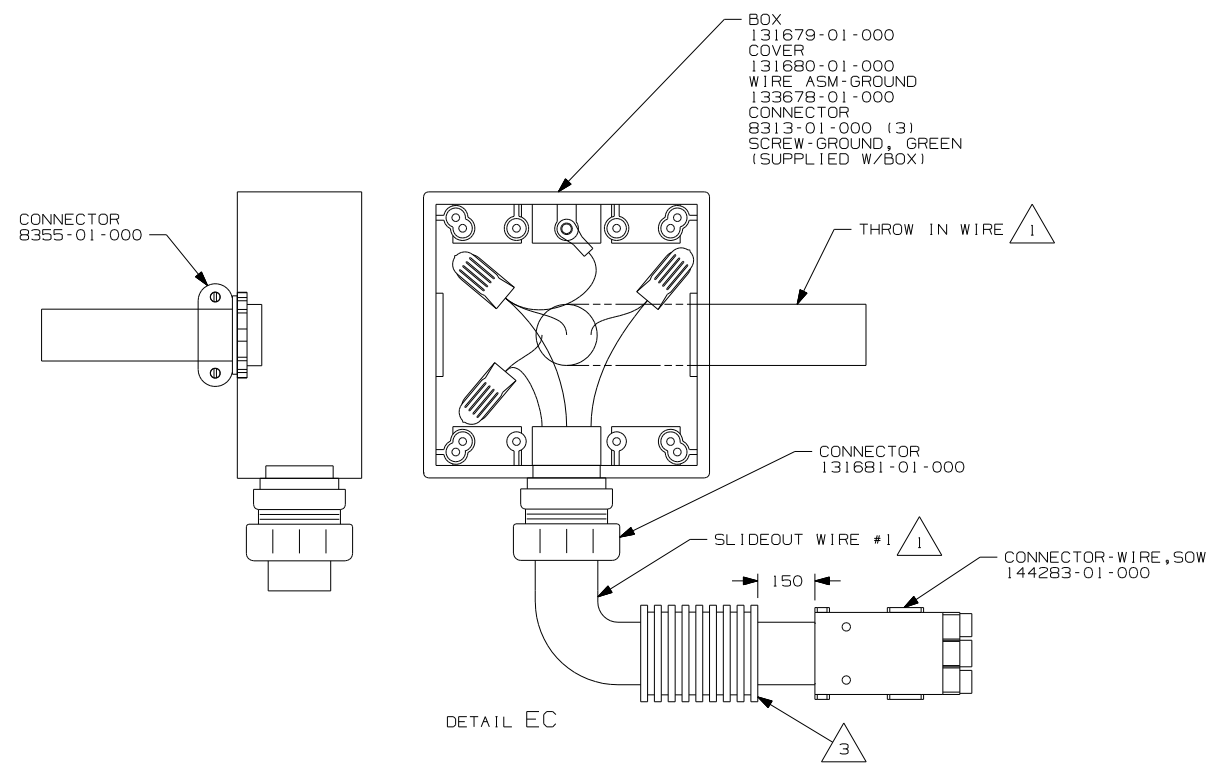
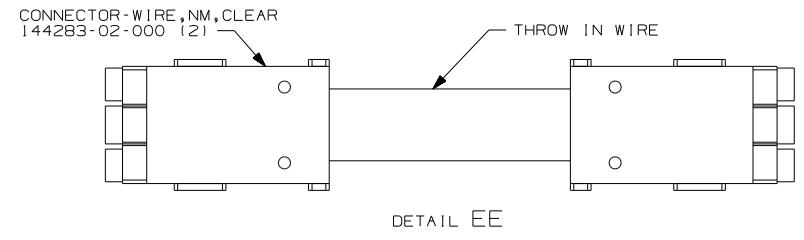
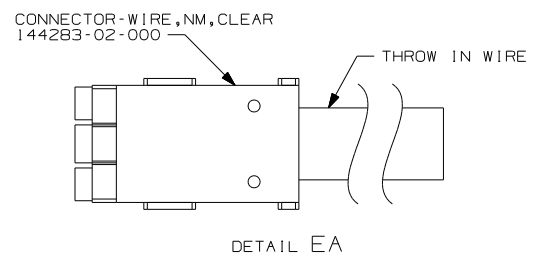
NOTES:

- (14C) FIREPLACE-ELECTRIC
- (78J) ELECTRICAL SYSTEM - 50 AMP
- (54E) WASHER/DRYER
- (52P) GEN-5.5KW ONAN-GAS-MARO GOLD
- (265) CODES/STANDARDS - CSA/CMVSS
- (21M) WASHER/DRYER - PREP
- (1B1) CODES/STANDARDS - USA
- (14K) GEN-7.0KW ONAN-GAS-MARO GOLD

FIRST USED	
06 G-SERIES	
DO NOT SCALE DRAWING	
TITLE:	
LOAD CENTER/ATS ASM	
SHEET 4	PART NO 153077

FOR ELECTRICAL TORQUE SPECIFICATIONS SEE DWG NO. 128783-01-000

(X-X) FOR ELECTRICAL CALLOUTS SEE DWG NO. 121339-01-000



- NOTES:
- 3 APPLY 300MM OF CONDUIT-CONVOLUTE 41953-05-000 OVER WIRE AT DIMENSION SHOWN AND SECURE BOTH ENDS OF TUBING TO WIRE WITH TAPE 8363-01-000.
 - 2 THE BLACK INDIVIDUAL CONDUCTORS FOR EACH SPECIFIC COLORED CIRCUIT ARE TO BE CONNECTED TOGETHER. THE WHITE INDIVIDUAL CONDUCTORS FOR EACH SPECIFIC COLORED CIRCUIT ARE TO BE CONNECTED TOGETHER. ALL GROUND WIRES ARE TO BE CONNECTED TOGETHER.
 - 1 SEE WIRING INSTL-BODY, 110V FOR ADDITIONAL INFORMATION.

- 78J ELECTRICAL SYSTEM - 50 AMP
- 265 CODES/STANDARDS - CSA/CMVSS
- 1B1 CODES/STANDARDS - USA
- 12D ELECTRICAL SYSTEM - 30 AMP

FIRST USED	
06 G-SERIES	
DO NOT SCALE DRAWING	
TITLE: LOAD CENTER/ATS ASM	
SHEET 5	PART NO 153077

WITHOUT HEAT PUMP

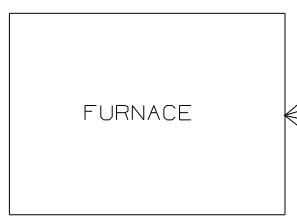
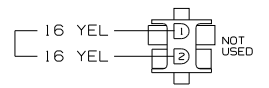
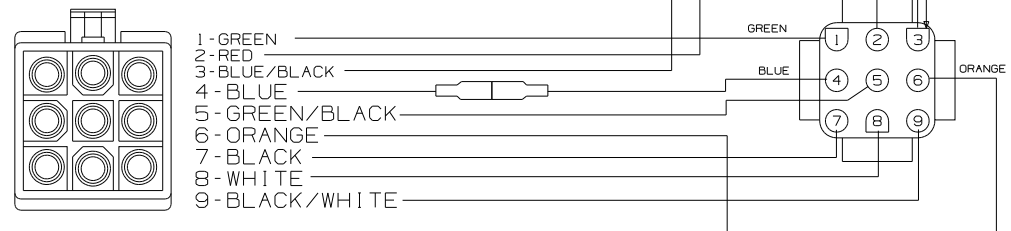
VENDOR SUPPLIED HARNESS

WINNEBAGO SUPPLIED HARNESS

THERMOSTAT

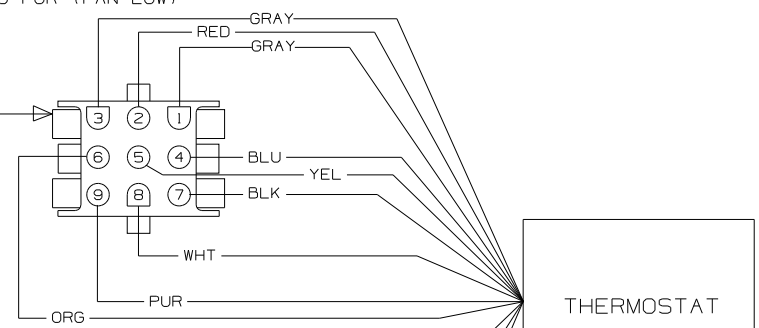
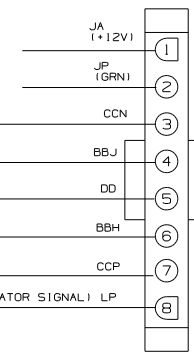
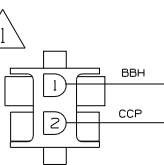
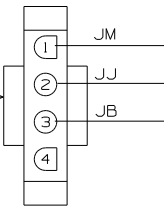
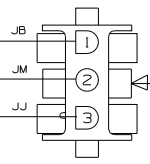
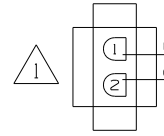
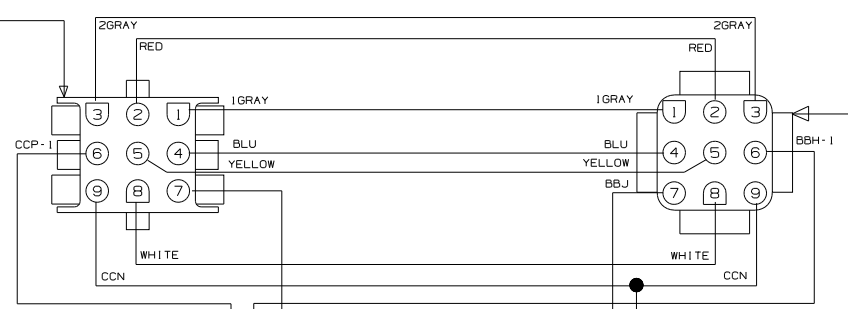
- 1-GRY (FREEZE SWITCH & EXCLUSION RELAY)
- 2-RED (+12VDC)
- 3-GRY (FREEZE SWITCH & EXCLUSION RELAY)
- 4-BLU (-12VDC)
- 5-YEL (COOLING COMPRESSOR #1)
- 6-ORG (COOLING COMPRESSOR #2)
- 7-BLK (FAN HIGH)
- 8-WHT (HEAT PUMP)
- 9-PUR (FAN LOW)

CONNECTS TO AIR CONDITIONER



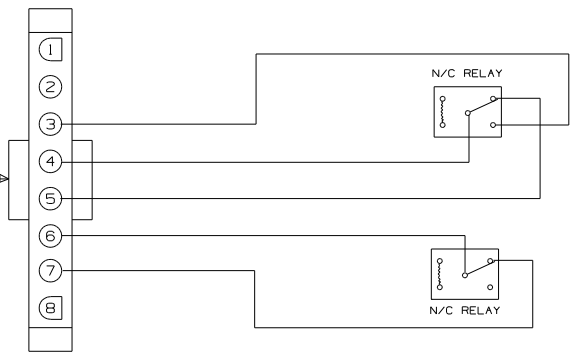
- 1-YEL (12VDC NEGATIVE)
- 2-BLU (FROM T-STAT)
- 3-RED (12VDC POSITIVE)
- 4-BLU

FURNACE



- 1-RED (12VDC POSITIVE)
- 2-BLU (12VDC NEGATIVE)
- 3-WHT (GAS FURNACE)

LOAD SHEDDER BOARD



WIRING DIAGRAM-THERMOSTAT,EXT
(WIRE ASM 135131
WITHOUT HEAT PUMP)

1. CONNECT HOUSING TOGETHER.

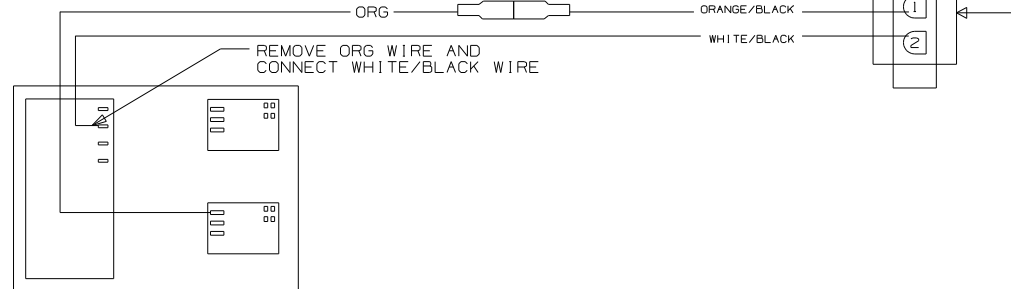
NOTES:

WINNEBAGO		COPYRIGHT 2004 WINNEBAGO INDUSTRIES, INC.	
DFTR	ORIG. DATE		
CHKR	ALL DIMENSIONS ARE IN MILLIMETERS		
P.E.	FIRST USED	03 SERIES	
M.E.			
DSNR			
UNSPECIFIED TOLERANCES ARE:		MATERIAL:	
W-HOLE DIM (X)	:		
ONE-PLACE (X.X)	:		
TWO-PLACE (X.XX)	:		
ANGLE	:		
THIRD ANGLE PROJECTION			
DO NOT SCALE DRAWING			
TITLE: WIRING DIAGRAM-AC/HEAT/EMS			
SHEET 1 OF 2	PART NO	138913	
REF:		1 07/08/2004	

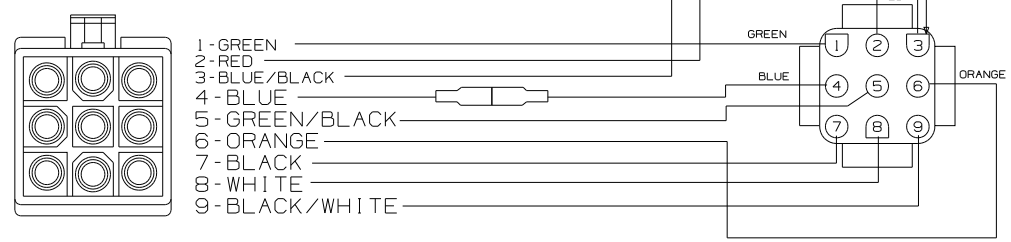
WITH HEAT PUMP

VENDOR SUPPLIED HARNESS

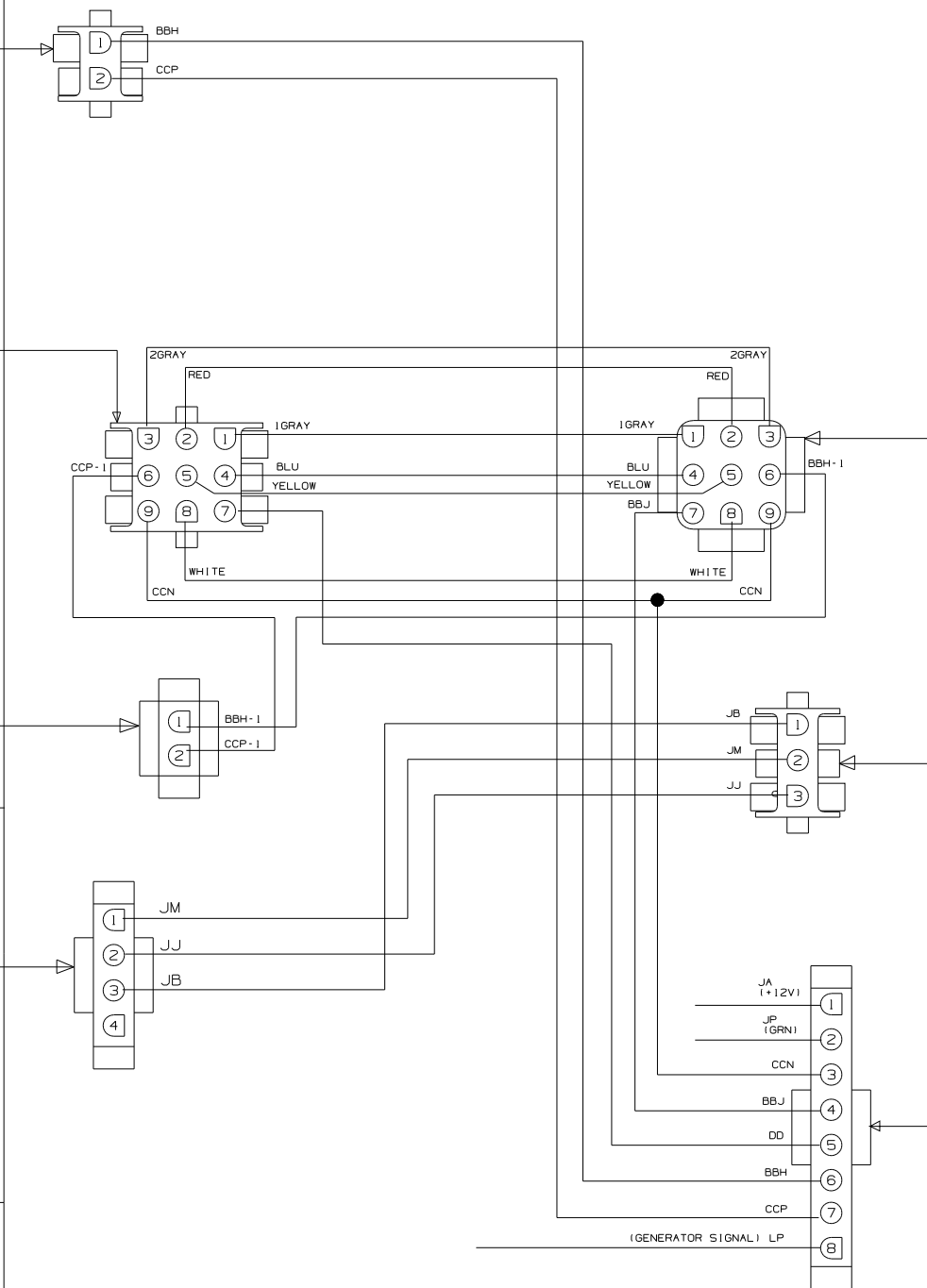
ORG WIRE IS REMOVED FORM TERMINAL AND CONNECTED TO ORG/BLK WIRE THEN WHT/BLK WIRE IS CONNECTED TO THE TERMINAL WHERE THE ORG WIRE WAS.



CONNECTS TO AIR CONDITIONER

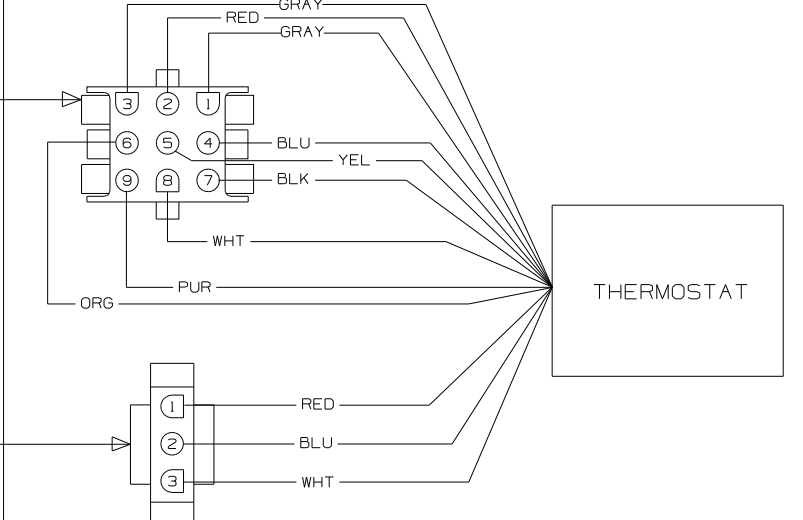


WINNEBAGO SUPPLIED HARNESS

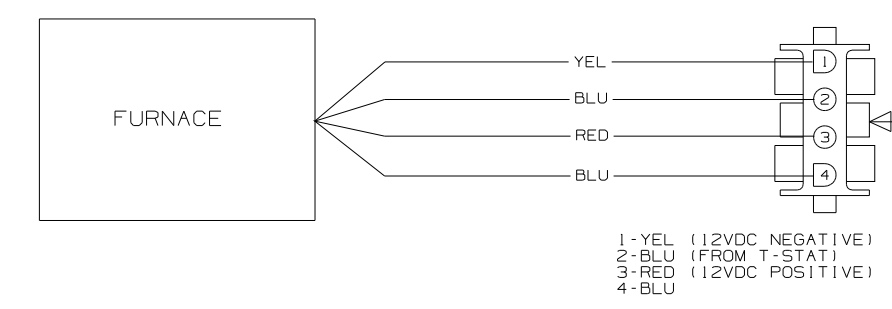


THERMOSTAT

- 1-GRY (FREEZE SWITCH & EXCLUSION RELAY)
- 2-RED (+12VDC)
- 3-GRY (FREEZE SWITCH & EXCLUSION RELAY)
- 4-BLU (-12VDC)
- 5-YEL (COOLING COMPRESSOR #1)
- 6-ORG (COOLING COMPRESSOR #2)
- 7-BLK (FAN HIGH)
- 8-WHT (HEAT PUMP)
- 9-PUR (FAN LOW)



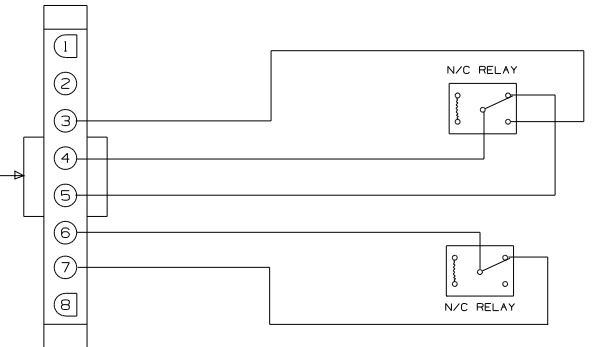
- 1-RED (12VDC POSITIVE)
- 2-BLU (12VDC NEGATIVE)
- 3-WHT (GAS FURNACE)



- 1-YEL (12VDC NEGATIVE)
- 2-BLU (FROM T-STAT)
- 3-RED (12VDC POSITIVE)
- 4-BLU

FURNACE

LOAD SHEDDER BOARD



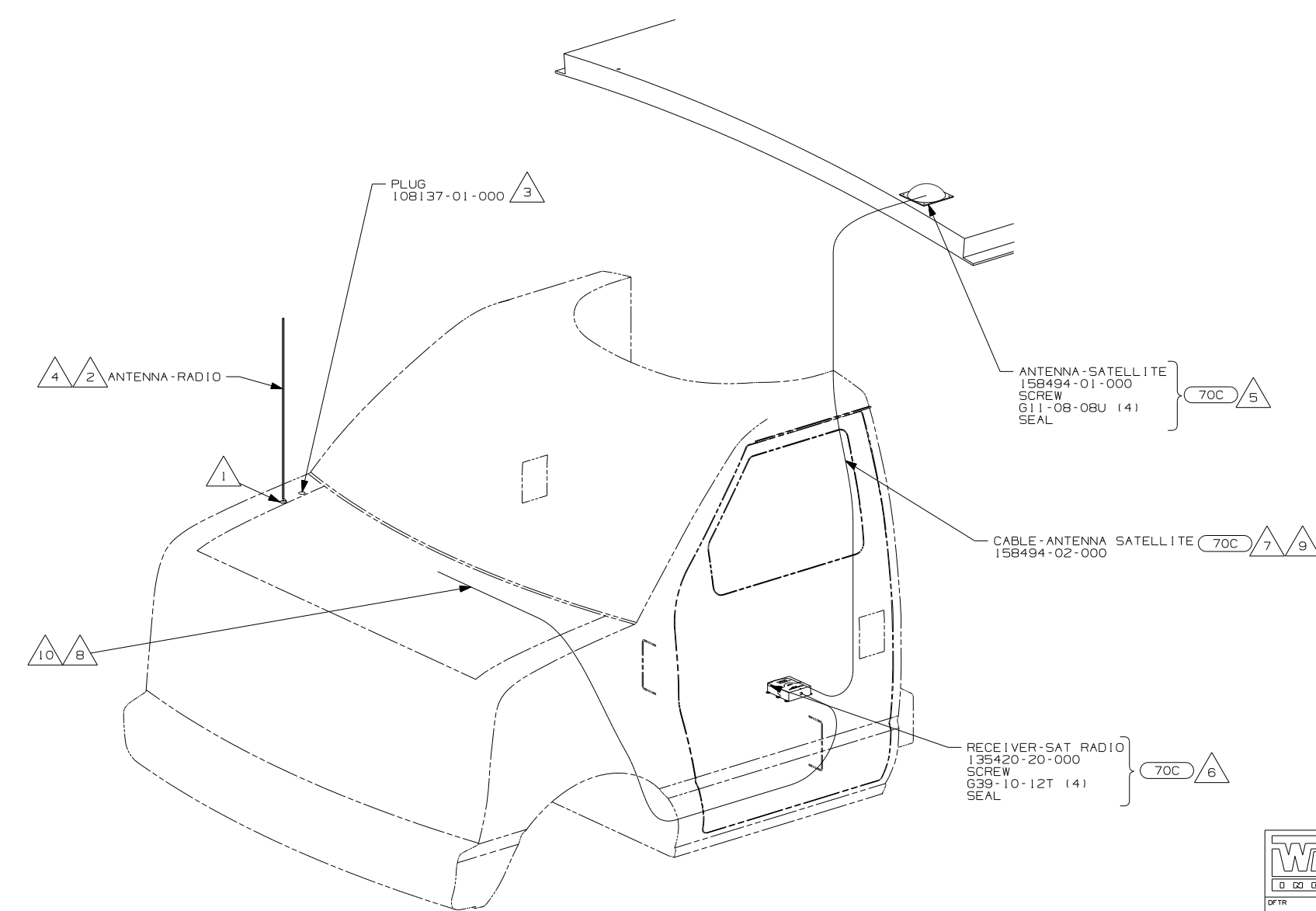
WIRING DIAGRAM-THERMOSTAT,EXT
(WIRE ASM 135131
WITH HEAT PUMP)

NOTES:
1. RLC FOR 2001 THIS RESET WAS DELETED.

FIRST USED	03 SERIES
DO NOT SCALE DRAWING	
TITLE:	WIRING DIAGRAM-AC/HEAT/EMS
SHEET 2	PART NO 138913

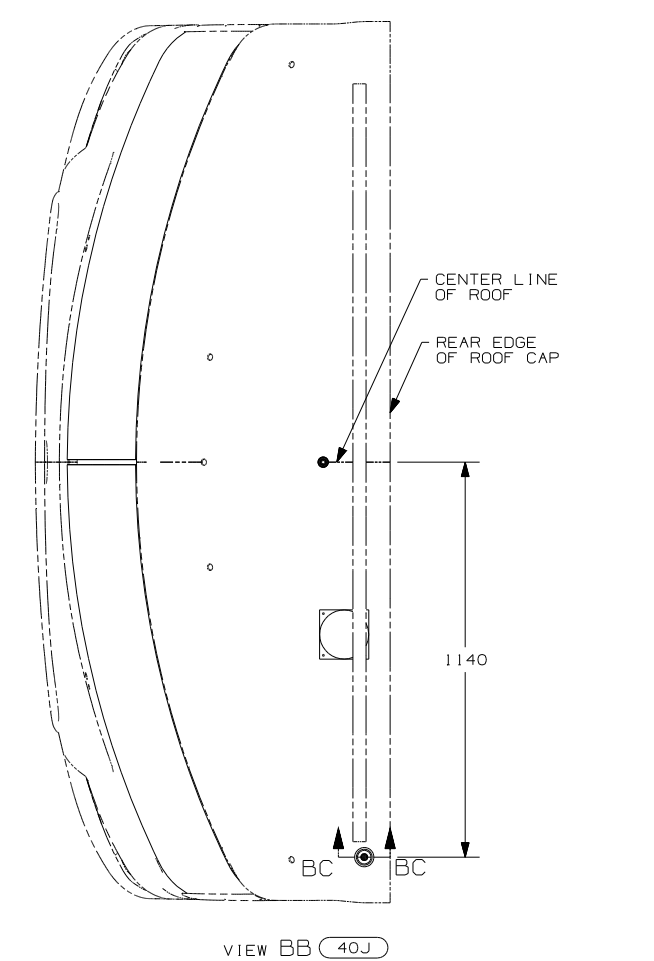
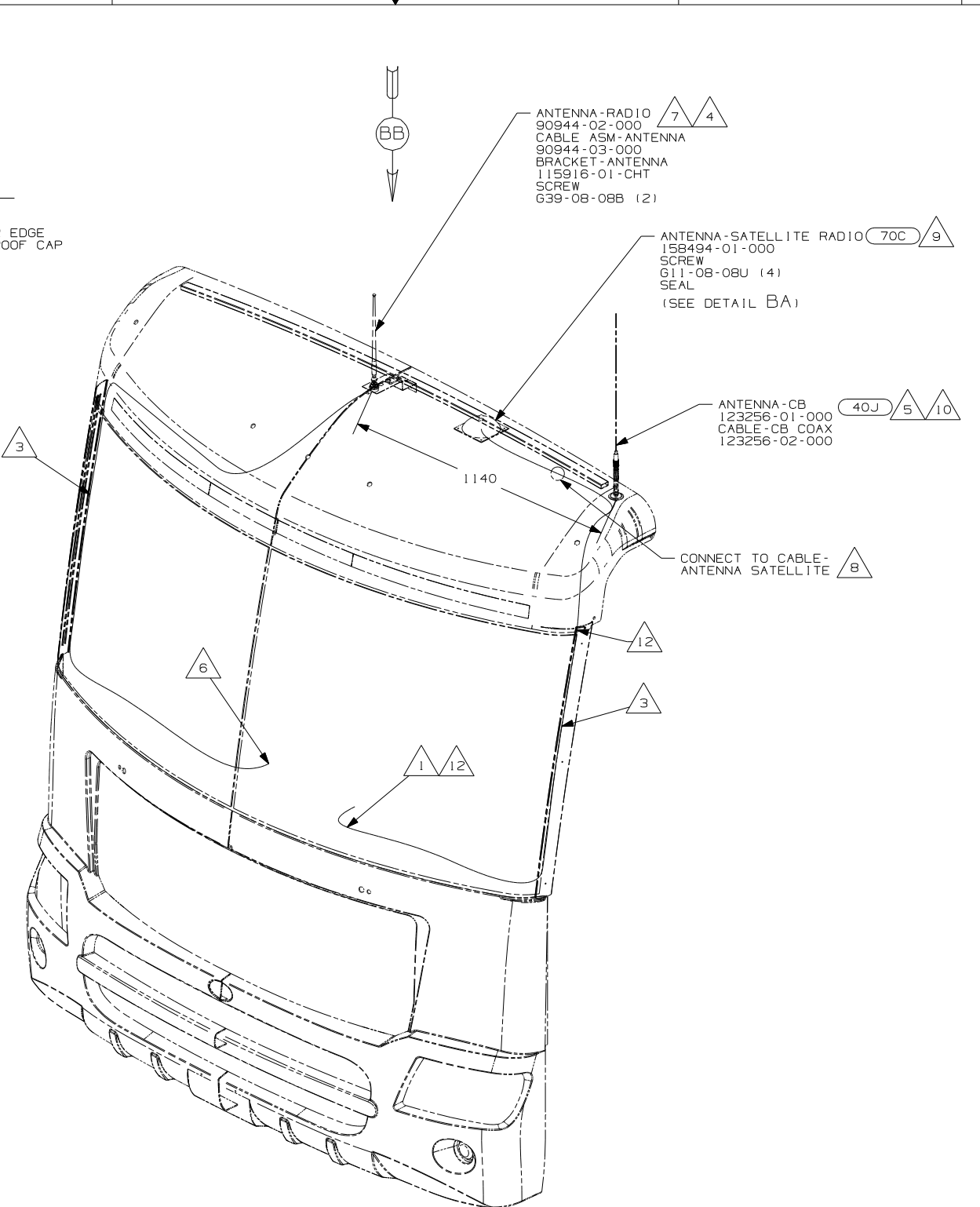
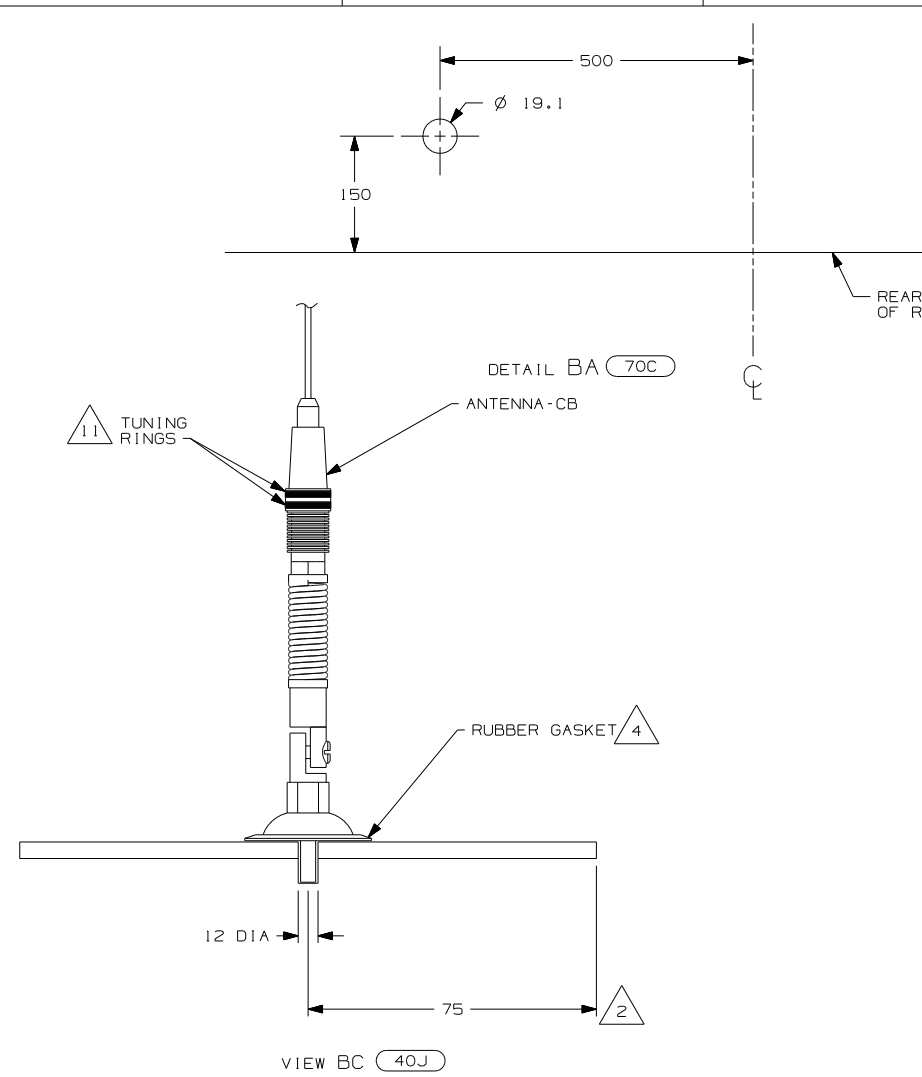
DWG NO	SHEET	SERIES
152091-01	1	300, 400, 700
152091-02	2	D, F, G
152091-03	3	P, S, R
152091-04	4	500

RELEASE	REV DATE	DWG NO	152091
REV ZONE	REVISION RECORD	DATE	DFTR-ORIG



- NOTES:
- 10 RECEIVER CABLE SUPPLIED WITH RECEIVER.
 - 9 ON 300-SER AND 400-SER ROUTE ANTENNA CABLE FROM UNDER DRIVER'S SEAT UP B-POST, INTO WINGWALL, THROUGH SLEEP BOARD ASM TO ANTENNA HOLE IN ROOF ASM.
 - 8 ROUTE RECEIVER CABLE ALONG WITH CHASSIS HARNESS TO BATTERY BOOST SWITCH, CONTINUE RECEIVER CABLE TO DASH RADIO.
 - 7 ON 700-SER ROUTE ANTENNA CABLE FROM UNDER DRIVER'S SEAT UP B-POST, INTO WINGWALL, UP THROUGH ENTERTAINMENT CENTER BEHIND SPEAKER, ROUTE CABLE THROUGH ROUTED PATH IN ROOF ASM.
 - 6 MOUNT RECEIVER TO CAB FLOOR UNDER DRIVERS SEAT NEXT TO FORD MODULE. BE SURE NOT TO SCREW THROUGH ANY WIRES THAT GO TO THE MODULE. SEAL ALL SCREWS.
 - 5 MOUNT ANTENNA SUCH THAT BASE IS SQUARE WITH ROOF AND HOLE IS DIRECTLY OVER HOLE IN ROOF. SEAL BOTH THE HOLE IN THE ROOF AND ANTENNA BASE AT SCREWS.
 - 4 DO NOT RELOCATE ANTENNA ON 400 AND 700 SERIES UNITS. LEAVE IN FACTORY LOCATION.
 - 3 NOT USED ON 400 AND 700 SERIES.
 - 2 SUPPLIED WITH CHASSIS.
 - 1 SEE FRAME ASM-CHASSIS FOR HOLE LOCATION AND SIZE.

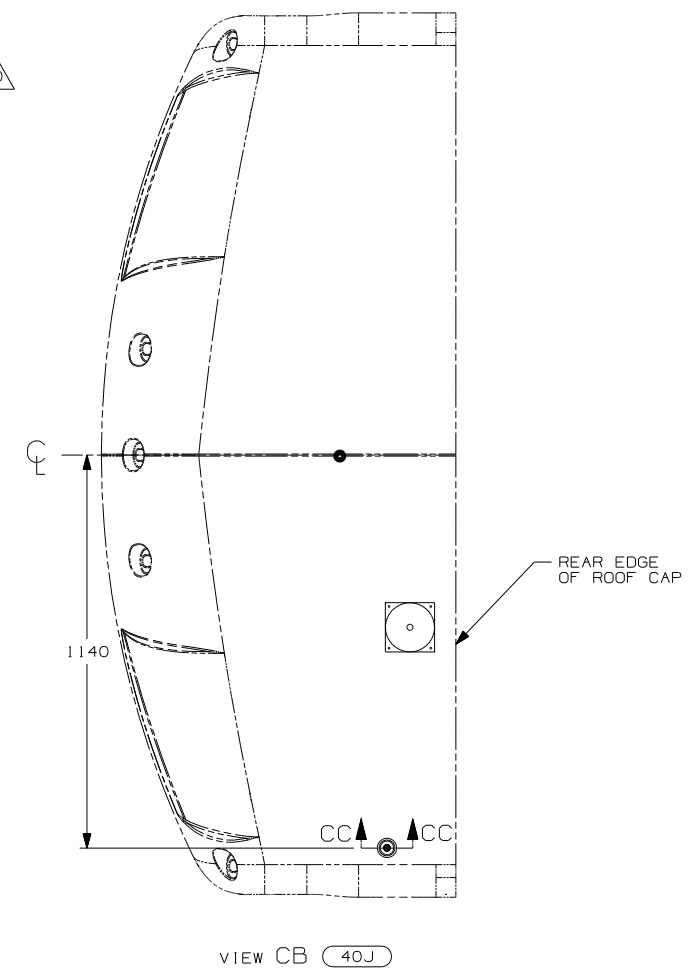
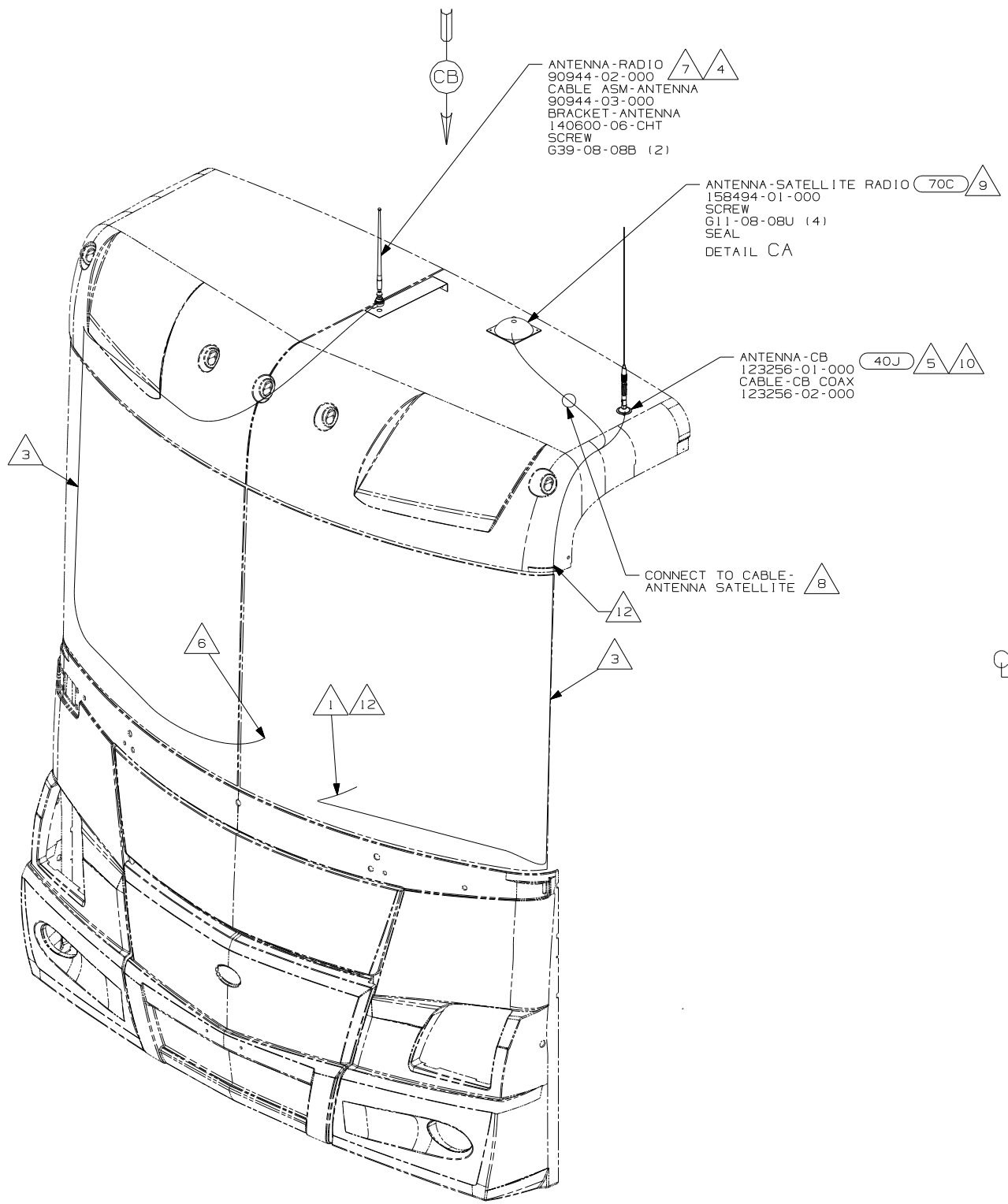
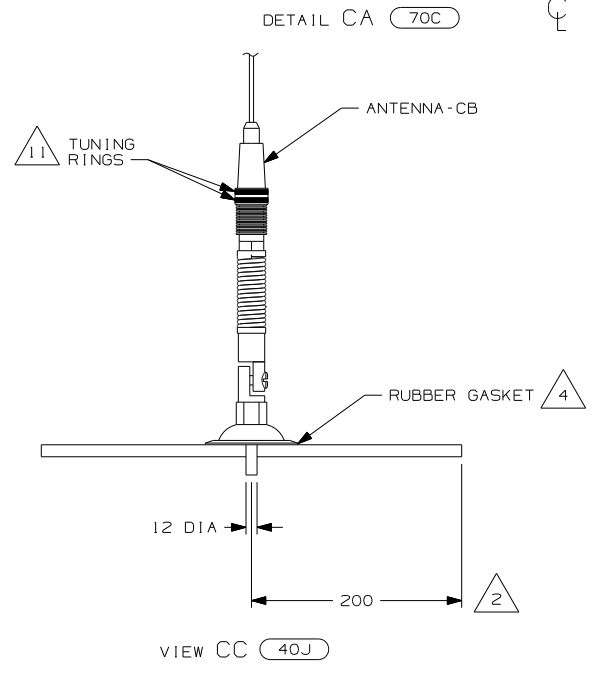
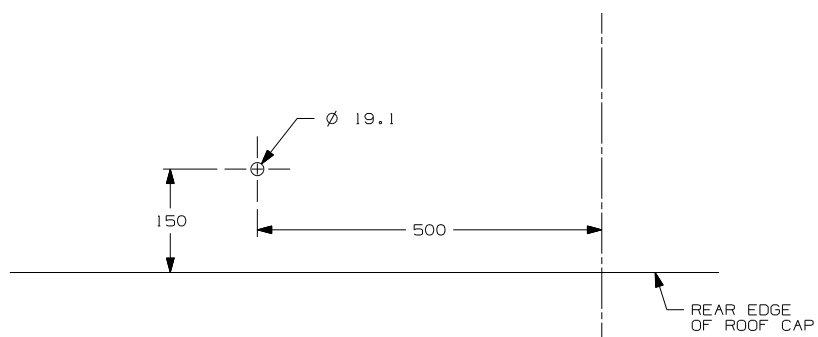
WINNEBAGO		COPYRIGHT 2006 WINNEBAGO INDUSTRIES, INC.	
DFTR	ORIG. DATE	ALL DIMENSIONS ARE IN MILLIMETERS	
CHKR		FIRST USED	
P.E.		06 MOTORHOMES	
M.E.		UNSPECIFIED TOLERANCES ARE:	
DSNR		MATERIAL:	
		WHOLE DIM (X) :	
		ONE-PLACE (X.X) :	
		TWO-PLACE (X.XX) :	
		ANGLE :	
		THIRD ANGLE PROJECTION	
DO NOT SCALE DRAWING			
TITLE: ANTENNA INSTL-RADIO AND CB			
SHEET 1 of 4	PART NO	152091	REV
REF:	1 6/15/2006		



- 12 PROVIDE A 700 mm DROP OF CB ANTENNA CABLE FROM THE TOP OF THE A-PILLAR TO THE ANTENNA AND PLACE THE EXCESS CABLE IN THE CB PREP BAG LOCATED UNDER THE DASH.
- 11 TUNING RINGS ARE TO BE BOTH ADJUSTED TO THE TOP OF THEIR TRAVEL AND TIGHTENED AGAINST EACH OTHER.
- 10 TIGHTEN JOINTS BETWEEN ANTENNA BASE AND ANTENNA PIVOT AND ALSO THE MAST AND ANTENNA PLATE.
- 9 MOUNT ANTENNA SUCH THAT BASE IS SQUARE W/ REAR OF ROOF CAP & HOLE IS DIRECTLY OVER HOLE IN FIBERGLASS. SEAL HOLE IN ROOF CAP, BASE AT SCREWS.
- 8 SEE WIRING INSTL-FRONT END FOR ADDITIONAL INFORMATION.
- 7 USE HOLE IN BRACKET AS GUIDE TO DRILL 13 DIAMETER HOLE IN FIBERGLASS.
- 6 TO RADIO.
- 5 ATTACH ANTENNA-CB GROUND WIRE TO CAB FRAME, USE SCREW 639-08-08B.
- 4 SEAL AROUND ANTENNA BASE.
- 3 ROUTE CABLE ALONG A-POST, UNDER TRIM COVER.
- 2 MEASURED FROM REAR EDGE OF FIBERGLASS CAP.
- 1 SEE WIRING INSTL-FRONT END FOR LOCATION OF COAX END AND LABEL.

70C RADIO - SATELLITE
 40J CB RADIO PREP

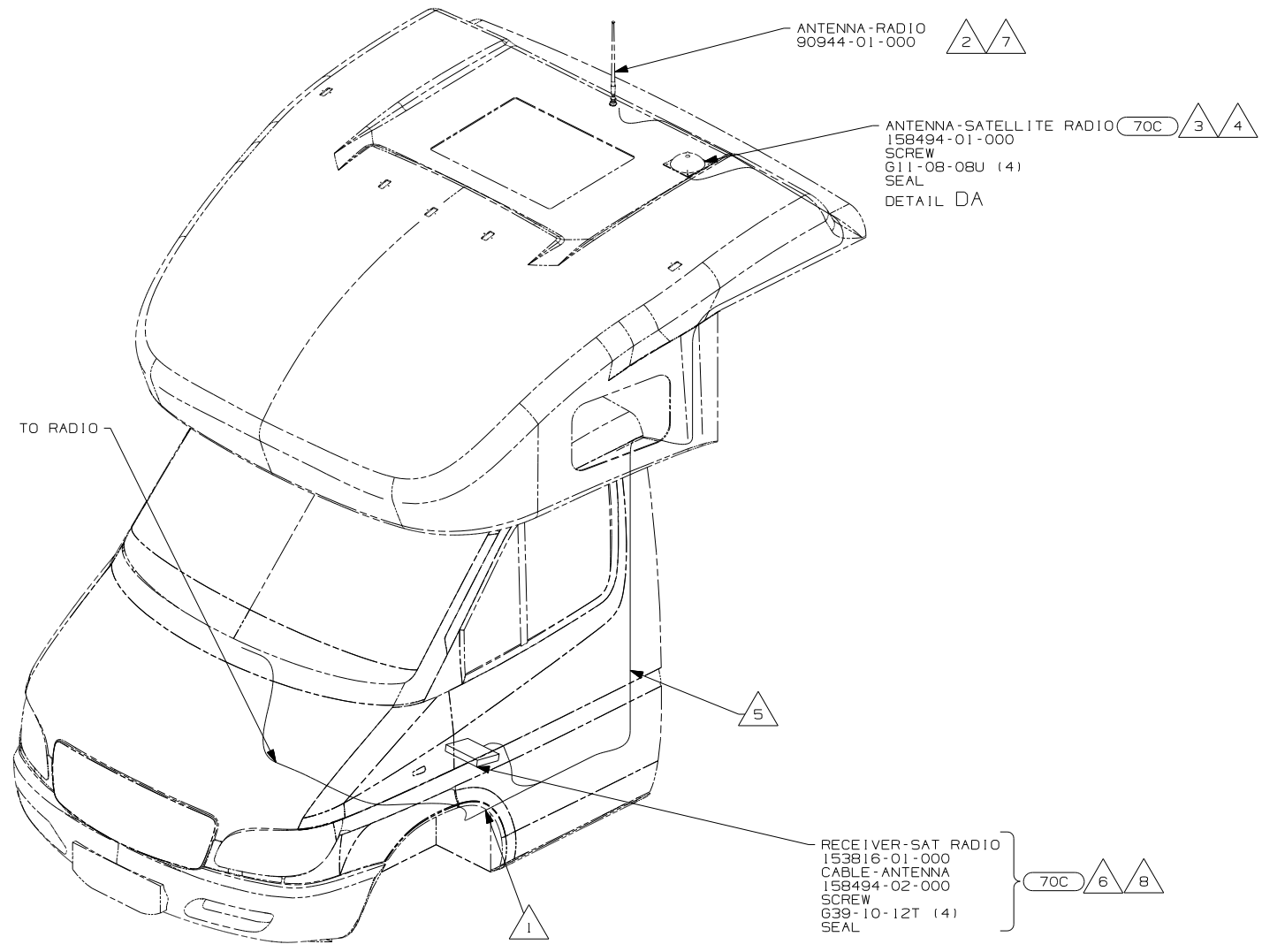
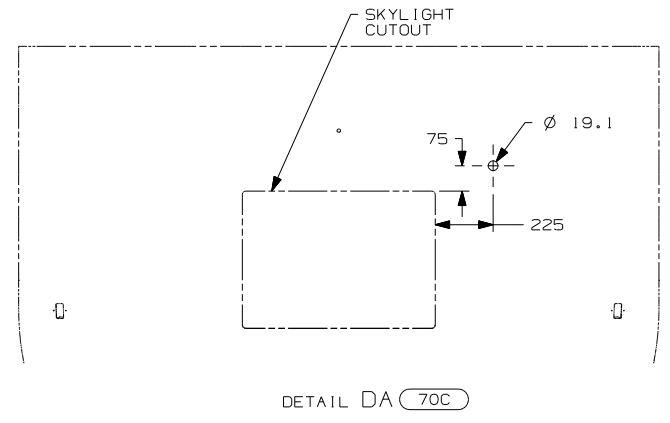
FIRST USED	
06 MOTORHOMES	
DO NOT SCALE DRAWING	
TITLE: ANTENNA INSTL-RADIO AND CB	
SHEET 2	PART NO 152091 REV



- 12 PROVIDE A 1000 DROP OF CB ANTENNA CABLE FROM THE TOP OF THE A-PILLAR TO CONNECT TO THE ANTENNA AND PLACE THE EXCESS CABLE IN THE CB PREP BAG LOCATED UNDER THE DASH.
- 11 TUNING RINGS ARE TO BE BOTH ADJUSTED TO THE TOP OF THEIR TRAVEL AND TIGHTENED AGAINST EACH OTHER.
- 10 TIGHTEN JOINTS BETWEEN ANTENNA BASE AND ANTENNA PIVOT AND ALSO THE MAST AND ANTENNA PLATE.
- 9 MOUNT ANTENNA SUCH THAT BASE IS SQUARE W/REAR OF ROOF CAP & CENTER HOLE OF ANTENNA DIRECTLY OVER HOLE IN FIBERGLASS. SEAL HOLE, BASE, AND SCREWS.
- 8 SEE WIRING INSTL-FRONT END FOR ADDITIONAL INFORMATION.
- 7 USE HOLE IN BRACKET AS GUIDE TO DRILL 13 DIAMETER HOLE IN FIBERGLASS.
- 6 TO RADIO.
- 5 ATTACH ANTENNA-CB GROUND WIRE TO CAB FRAME, USE SCREW 639-08-08B.
- 4 SEAL AROUND ANTENNA BASE.
- 3 ROUTE CABLE ALONG A-POST, UNDER TRIM COVER.
- 2 MEASURED FROM REAR EDGE OF FIBERGLASS CAP.
- 1 SEE WIRING INSTL-FRONT END FOR LOCATION OF COAX END AND LABEL.

(70C) RADIO - SATELLITE
(40J) CB RADIO PREP

FIRST USED	
06 MOTORHOMES	
DO NOT SCALE DRAWING	
TITLE: ANTENNA INSTL-RADIO AND CB	
SHEET 3	PART NO 152091



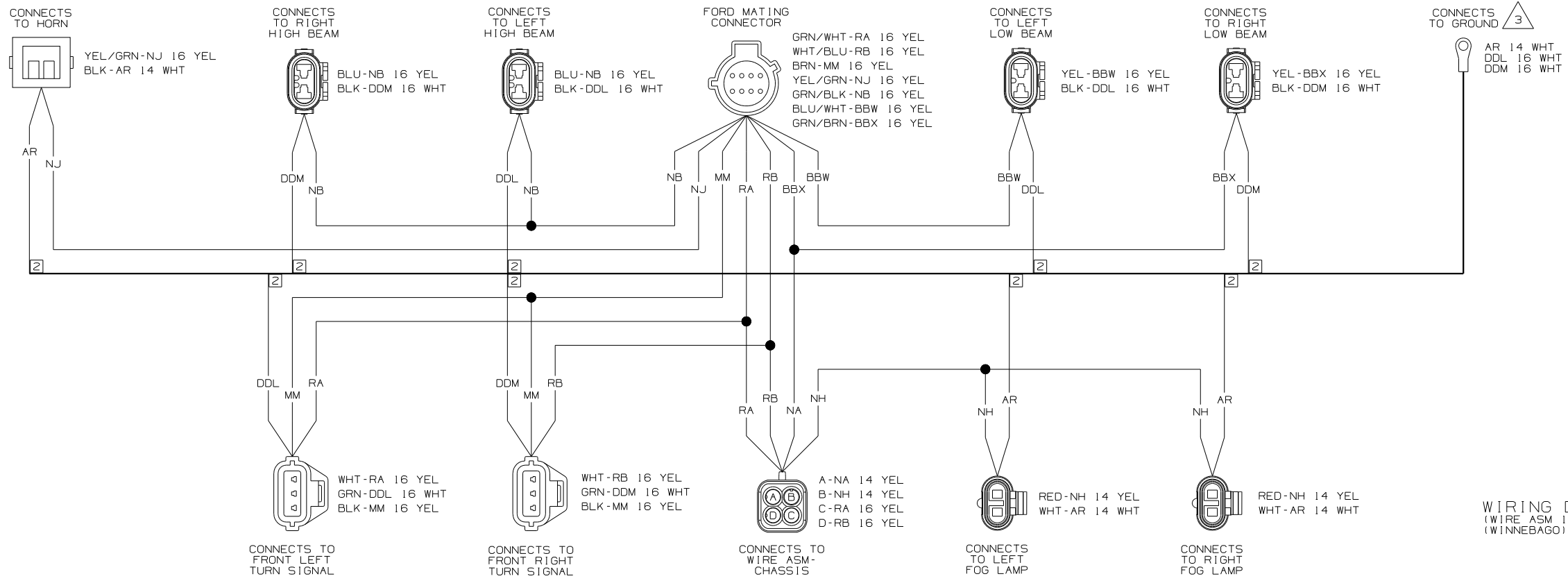
- 8 CONNECT CoNET CABLE SUPPLIED WITH SATELLITE RECEIVER BETWEEN DASH RADIO AND SATELLITE RECEIVER TERMINAL LABELED 'HEADUNIT'.
 - 7 CUT AND REMOVE A 75MM X 75MM AREA OF THE ALUMINUM INSULATION CENTERED ABOUT THE RADIO ANTENNA HOLE IN ROOF CAP.
 - 6 MOUNT RECEIVER TO FLOOR UNDER DRIVER'S SEAT. SEAL ALL SCREWS.
 - 5 ROUTE SATELLITE RADIO ANTENNA CABLE ALONG B-POST TO BENEATH DRIVERS SEAT TO SATELLITE RADIO RECEIVER. PLUG ANTENNA CABLE INTO RECEIVER TERMINAL LABELED 'ANTENNA'.
 - 4 SEE WIRE INSTL-CHASSIS FOR ADDITIONAL INFORMATION.
 - 3 MOUNT ANTENNA SUCH THAT BASE IS SQUARE W/REAR OF ROOF CAP & CENTER HOLE OF ANTENNA DIRECTLY OVER HOLE IN FIBERGLASS. SEAL HOLE, BASE, AND SCREWS.
 - 2 SEAL AROUND ANTENNA BASE.
 - 1 ROUTE RADIO ANTENNA CABLE FROM DASH RADIO THROUGH STEP WELL UP B-POST TO ROOF CAP.
- NOTES:

70C RADIO - SATELLITE

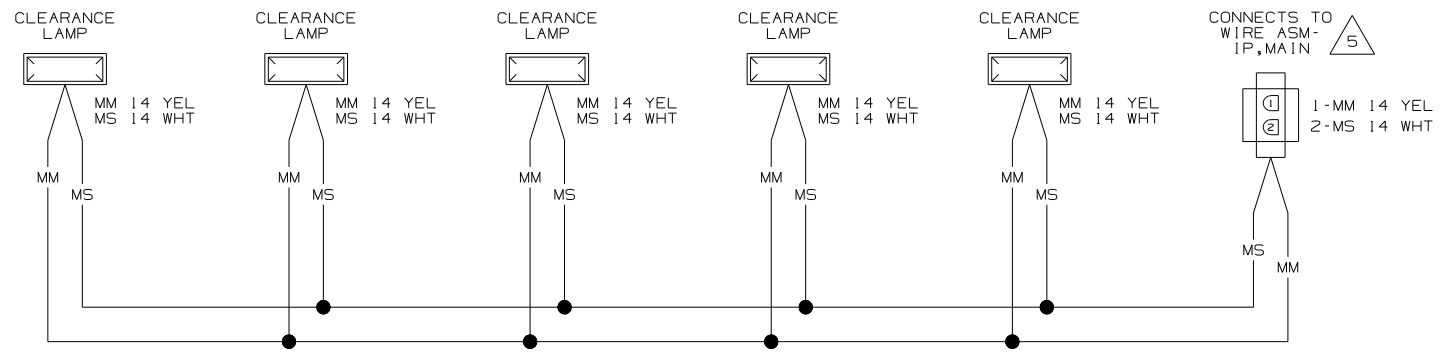
FOR ELECTRICAL TORQUE SPECIFICATIONS SEE DWG NO. 128783-01-000

FOR ELECTRICAL CALLOUTS SEE DWG NO. 121339-01-000

FIRST USED	
06 MOTOR HOMES	
DO NOT SCALE DRAWING	
TITLE: ANTENNA INSLT-RADIO AND CB	
SHEET 4	PART NO 152091



WIRING DIAGRAM-HEADLAMPS,FD
(WIRE ASM 141678-11 REV-U)
(WINNEBAGO)

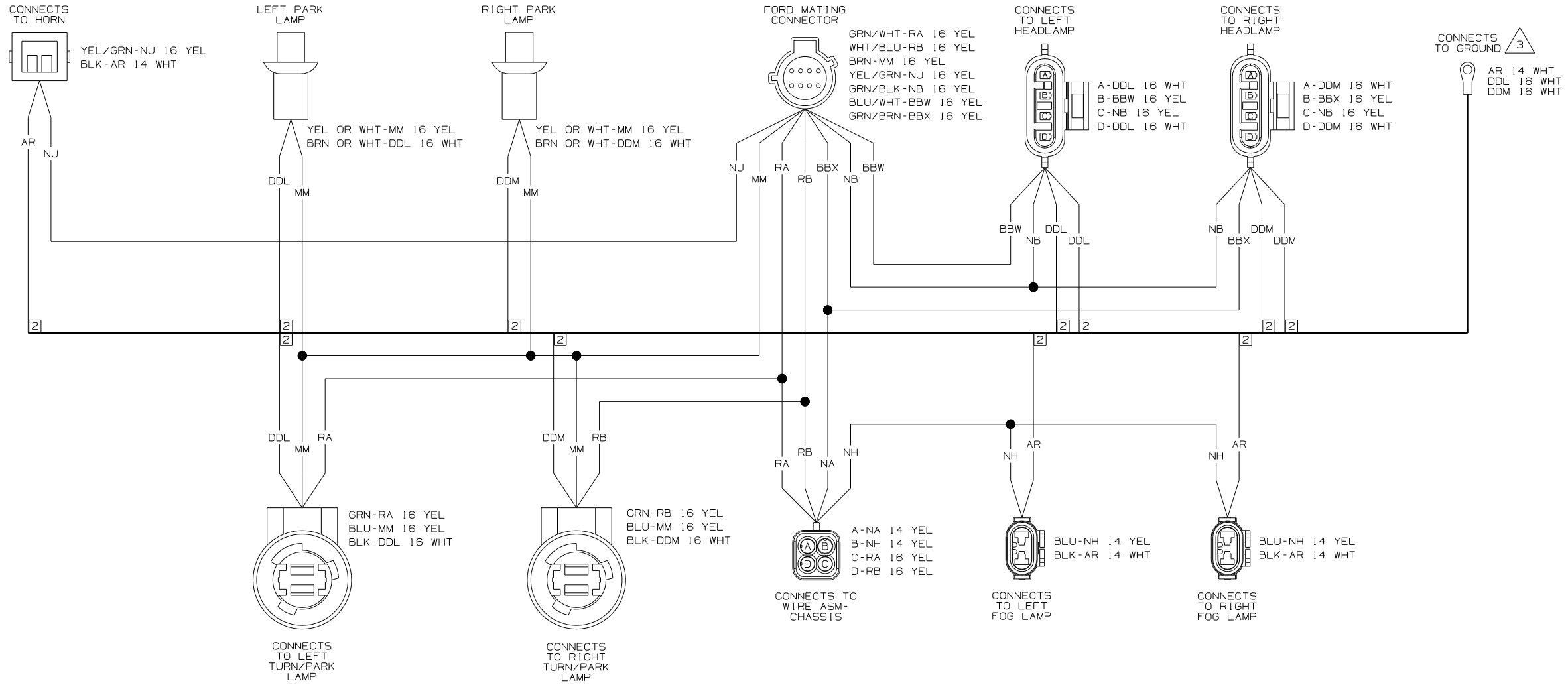


WIRING DIAGRAM-CLEARANCE LAMPS
(WIRE ASM 129943-01 REV-C)
(WINNEBAGO & ITASCA)

- 5 SEE WIRING DIAGRAM-AUTO FOR ADDITIONAL INFORMATION.
- 4 SEE MANUFACTURERS DIAGRAM FOR ADDITIONAL INFORMATION.
- 3 GROUNDS ARE SHOWN AS A SINGLE LINE FOR EASE IN TRACING. EACH GROUND CIRCUIT IS SEPERATE IN THE HARNESS.
- 2 NOT A SPLICE POINT. INDICATES ENTRY INTO WIRING HARNESS.
1. SPLICES ARE THEORETICAL AND MAY DIFFER IN THE HARNESS.

NOTES:

WINNEBAGO		COPYRIGHT 2004 WINNEBAGO INDUSTRIES, INC.	
DFTF	ORIG. DATE		
CHKR	ALL DIMENSIONS ARE IN MILLIMETERS		
P.E.	FIRST USED	06 G-SER	
M.E.			
DSNR			
UNSPECIFIED TOLERANCES ARE:		MATERIAL:	
WHOLE DIM (X)	:		
ONE-PLACE (X.X)	:		
TWO-PLACE (X.XX)	:		
ANGLE	:		
THIRD ANGLE PROJECTION			
DO NOT SCALE DRAWING			
TITLE: WIRING DIAGRAM-AUTO LAMPS			
SHEET 1 of 6	PART NO	152118	
REF:	1 7/18/2005		

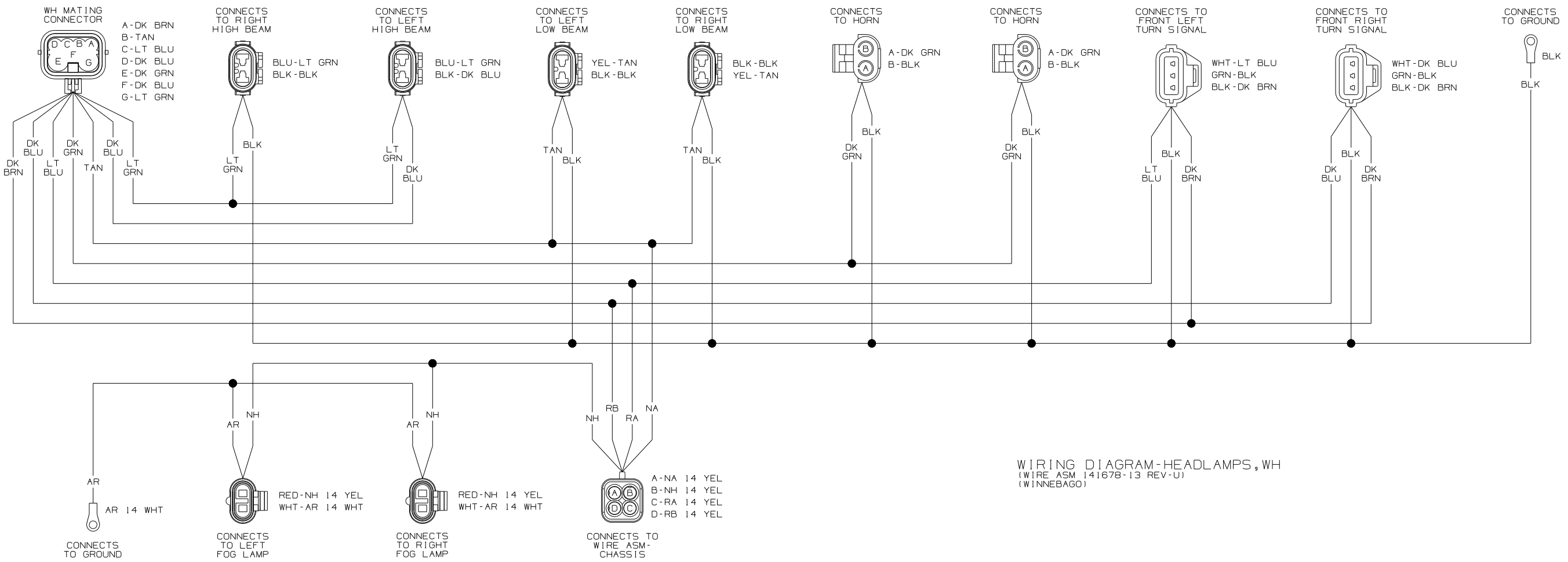


WIRING DIAGRAM-HEADLAMPS,FD
(WIRE ASM 141678-12 REV-U)
(ITASCA)

- 5 SEE WIRING DIAGRAM-AUTO FOR ADDITIONAL INFORMATION.
 - 4 SEE MANUFACTURERS DIAGRAM FOR ADDITIONAL INFORMATION.
 - 3 GROUNDS ARE SHOWN AS A SINGLE LINE FOR EASE IN TRACING. EACH GROUND CIRCUIT IS SEPERATE IN THE HARNESS.
 - 2 NOT A SPLICE POINT. INDICATES ENTRY INTO WIRING HARNESS.
1. SPLICES ARE THEORETICAL AND MAY DIFFER IN THE HARNESS.

NOTES:

FIRST USED	06 G-SER
TITLE	DO NOT SCALE DRAWING
TITLE	WIRING DIAGRAM-AUTO LAMPS
SHEET 2	PART NO 152118

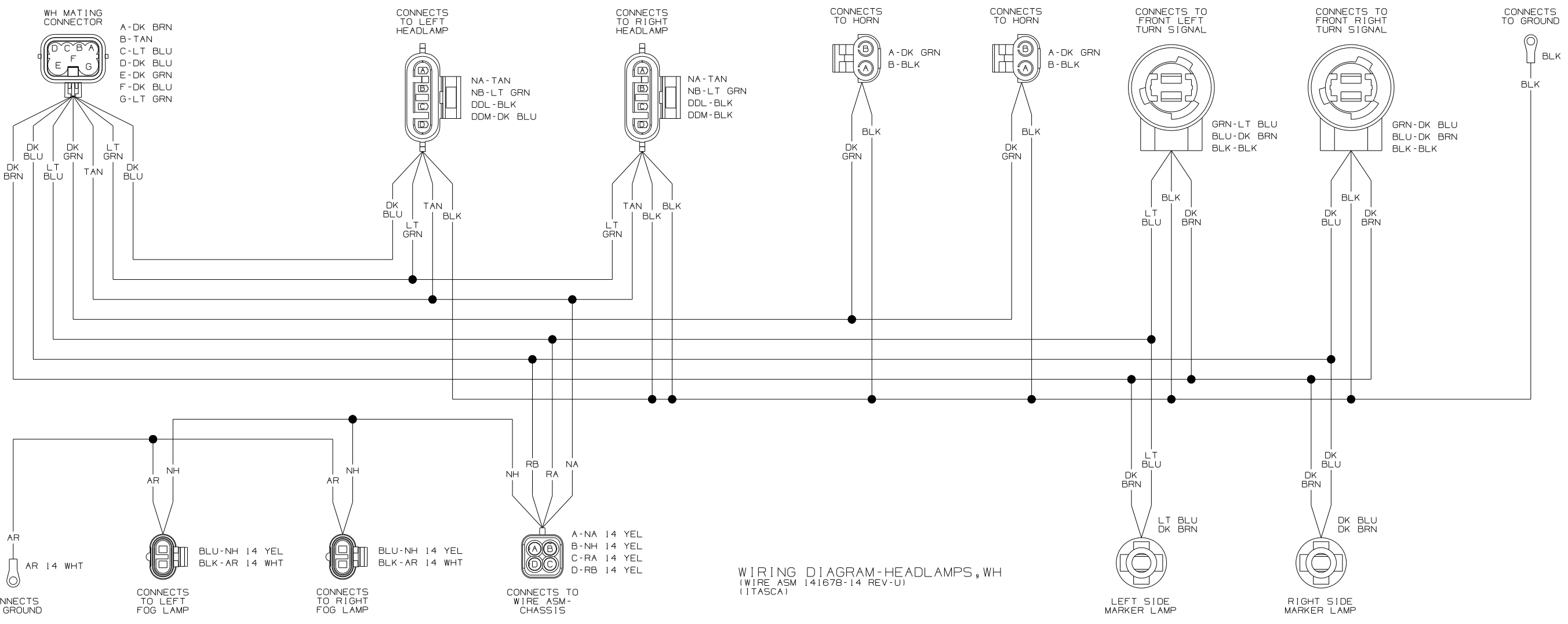


WIRING DIAGRAM-HEADLAMPS, WH
 (WIRE ASM 141678-13 REV-U)
 (WINNEBAGO)

- 3 SEE WIRING DIAGRAM-AUTO FOR ADDITIONAL INFORMATION.
- 2 SEE MANUFACTURERS DIAGRAM FOR ADDITIONAL INFORMATION.
1. SPLICES ARE THEORETICAL AND MAY DIFFER IN THE HARNESS.

NOTES:

FIRST USED	06 G-SER
TITLE	DO NOT SCALE DRAWING
	WIRING DIAGRAM-AUTO LAMPS
SHEET 3	PART NO 152118

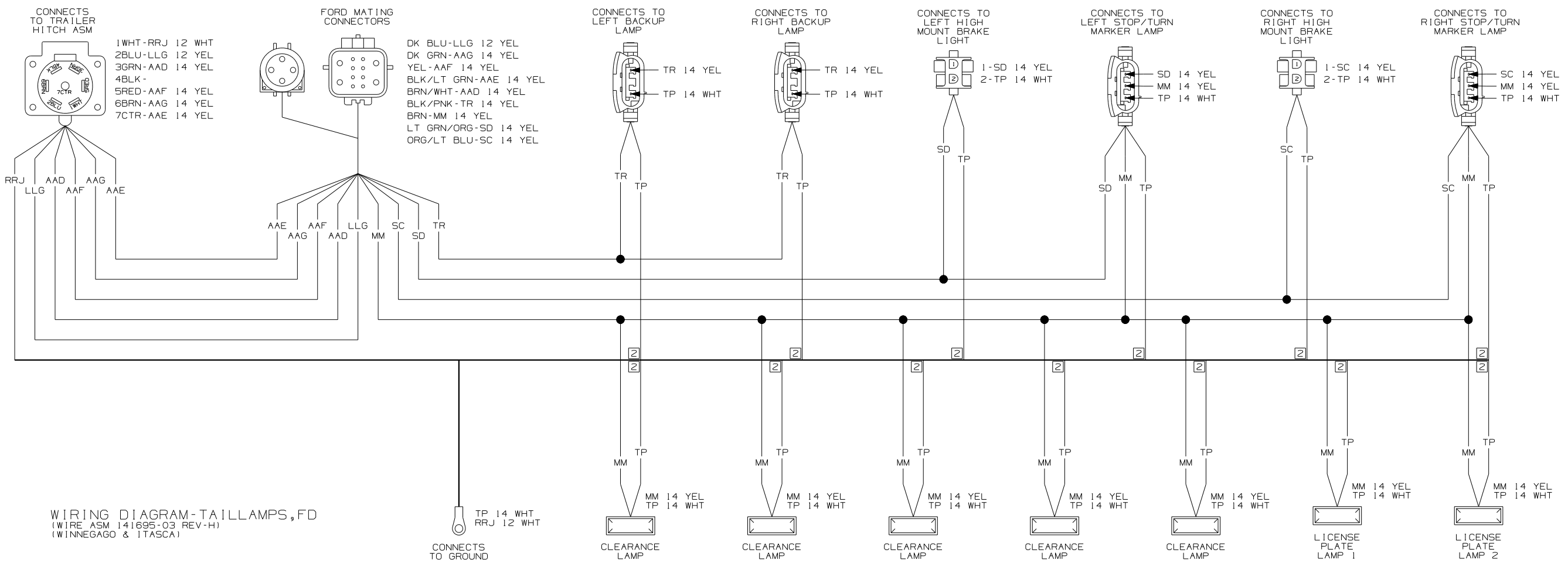


WIRING DIAGRAM-HEADLAMPS, WH
 (WIRE ASM 141678-14 REV-U)
 (ITASCA)

- 3 SEE WIRING DIAGRAM-AUTO FOR ADDITIONAL INFORMATION.
- 2 SEE MANUFACTURERS DIAGRAM FOR ADDITIONAL INFORMATION.
1. SPLICES ARE THEORETICAL AND MAY DIFFER IN THE HARNESS.

NOTES:

FIRST USED	06 G-SER
TITLE	DO NOT SCALE DRAWING
	WIRING DIAGRAM-AUTO LAMPS
SHEET 4	PART NO 152118

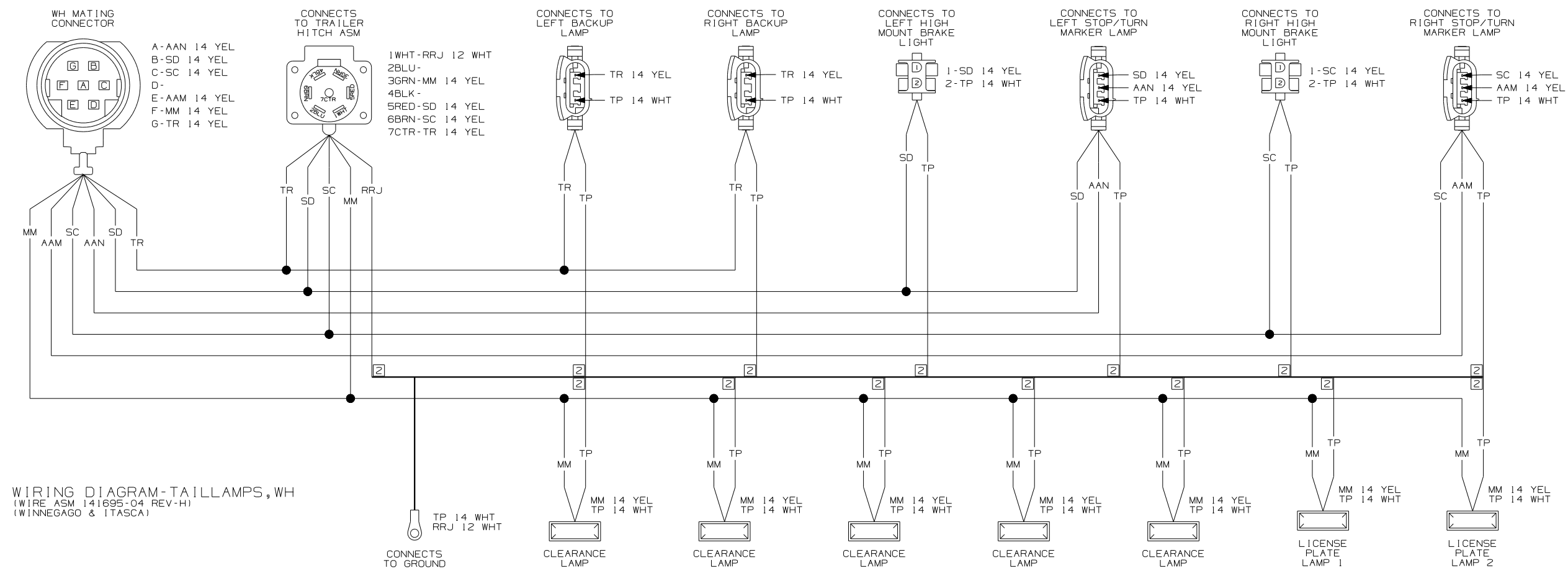


WIRING DIAGRAM-TAILLAMPS,FD
(WIRE ASM 141695-03 REV-H)
(WINNEGAGO & ITASCA)

- 5 SEE WIRING DIAGRAM-AUTO FOR ADDITIONAL INFORMATION.
 - 4 SEE MANUFACTURERS DIAGRAM FOR ADDITIONAL INFORMATION.
 - 3 GROUNDS ARE SHOWN AS A SINGLE LINE FOR EASE IN TRACING. EACH GROUND CIRCUIT IS SEPERATE IN THE HARNESS.
 - 2 NOT A SPLICE POINT. INDICATES ENTRY INTO WIRING HARNESS.
1. SPLICES ARE THEORETICAL AND MAY DIFFER IN THE HARNESS.

NOTES:

FIRST USED	06 G-SER
TITLE	DO NOT SCALE DRAWING
	WIRING DIAGRAM-AUTO LAMPS
SHEET 5	PART NO 152118



WIRING DIAGRAM-TAILLAMPS,WH
(WIRE ASM 141695-04 REV-H)
(WINNEGAGO & ITASCA)

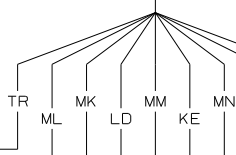
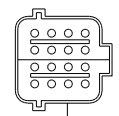
- 5 SEE WIRING DIAGRAM-AUTO FOR ADDITIONAL INFORMATION.
 - 4 SEE MANUFACTURERS DIAGRAM FOR ADDITIONAL INFORMATION.
 - 3 GROUNDS ARE SHOWN AS A SINGLE LINE FOR EASE IN TRACING. EACH GROUND CIRCUIT IS SEPERATE IN THE HARNESS.
 - 2 NOT A SPLICE POINT. INDICATES ENTRY INTO WIRING HARNESS.
1. SPLICES ARE THEORETICAL AND MAY DIFFER IN THE HARNESS.

NOTES:

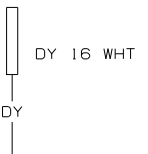
FIRST USED	06 G-SER
TITLE	DO NOT SCALE DRAWING
	WIRING DIAGRAM-AUTO LAMPS
SHEET 6	PART NO 152118

- LT BLU/WHT - NOT USED
- BRN/LT BLU - NOT USED
- RED/PNK - NOT USED
- DK GRN/ORG - NOT USED
- BLK/LT BLU - NOT USED
- LT GRN - NOT USED
- WHT/PUR - NOT USED
- BLK/LT GRN - TR 14 YEL
- YEL/BLK - LD 14 YEL
- BRN/PUR - MK 14 YEL
- LT GRN/RED - DY 16 WHT
- LT BLU/RED - ML 16 YEL
- ORG/LT GRN - MN 14 WHT
- BRN - MM 14 YEL
- WHT/LT BLU - KE 14 YEL
- RED/YEL - FU 14 YEL

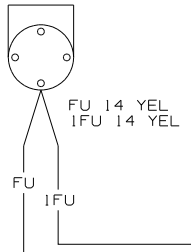
CONNECTS TO FORD WIRE ASM-MAIN (LOCATED UNDER DASH POD)



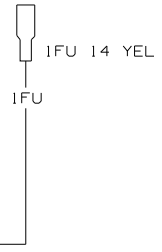
CONNECTS TO JACKS WIRING



CONNECTS TO EVAPORATOR A/C PRESSURE SWITCH



CONNECTS TO FORD SUPPLIED A/C SWITCH CIRCUIT

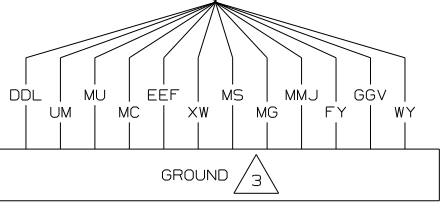


ML
MK

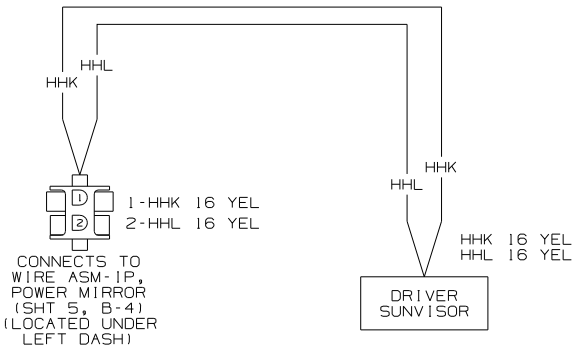
GND

LD
MM
KE

MN



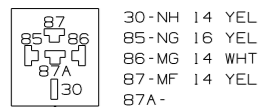
- DDL 14 WHT
- UM 16 WHT
- MU 14 WHT
- MC 16 WHT
- EEF 14 WHT
- XW 14 WHT
- MS 14 WHT
- MG 14 WHT
- MMJ 16 WHT
- FY 12 WHT
- GGV 14 WHT
- WY 10 WHT



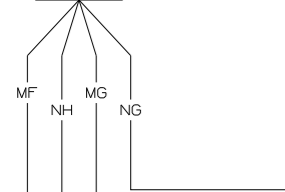
WIRING DIAGRAM-IP,MAIN,FD (WIRE ASM 152868 REV-D)

WINNEBAGO		COPYRIGHT 2004 WINNEBAGO INDUSTRIES, INC.	
DFTR	ORIG. DATE	ALL DIMENSIONS ARE IN MILLIMETERS	
CHRR		06 G-SERIES	
P.E.		UNSPECIFIED TOLERANCES ARE:	
M.E.	FIRST USED	MATERIAL:	
DSNR		WHOLE DIM (X) :	
		ONE-PLACE (X,X) :	
		TWO-PLACE (X,XX) :	
		ANGLE :	
THIRD ANGLE PROJECTION			
DO NOT SCALE DRAWING			
TITLE: WIRING DIAGRAM-AUTO			
F1	SHEET 1 of 6	PART NO	152112
REF :		1	5/23/2005

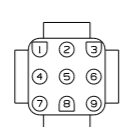
CONNECTS TO FOG LAMPS RELAY



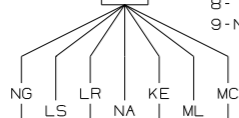
- 30-NH 14 YEL
- 85-NG 16 YEL
- 86-MG 14 WHT
- 87-MF 14 YEL
- 87A-



CONNECTS TO WIRE ASM-IP, LEFT (SHT 6, D-7) (LOCATED UNDER DASH POD)



- 1-LR 14 YEL
- 2-LS 12 YEL
- 3-KE 14 YEL
- 4-MC 16 WHT
- 5-
- 6-ML 16 YEL
- 7-NA 14 YEL
- 8-
- 9-NG 16 YEL



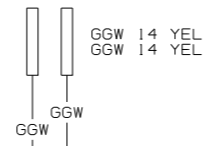
CONNECTS TO HEATER A/C LAMP



- 1-MC 16 WHT
- 2-ML 16 YEL



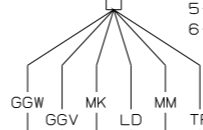
VEHICLE SPEED SENSOR CIRCUIT



CONNECTS TO WIRE ASM-GPS ADAPTER (LOCATED UNDER DASH POD)



- 1-MK 14 YEL
- 2-GGV 14 WHT
- 3-LD 14 YEL
- 4-TR 14 YEL
- 5-GGW 14 YEL
- 6-MM 14 YEL



CONNECTS TO WIRE ASM-REAR MONITOR (LOCATED UNDER DASH POD)



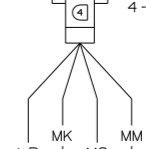
- 1-LD 14 YEL
- 2-MG 14 WHT
- 3-TR 14 YEL



CONNECTS TO DIGITAL COMPASS



- 1-MK 14 YEL
- 2-LD 14 YEL
- 3-MM 14 YEL
- 4-MC 16 WHT



CONNECTS TO WIRE ASM-CLEARANCE FRONT (LOCATED IN FRONT OVHD CABT)



- 1-MM 14 YEL
- 2-MS 14 WHT



MF
LS
WJ
ML
MK

TR

ML
MK

GND

GND

DDB
MM
KE
NH
LR
NA
DDA
CCY
MN
MD

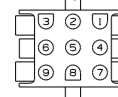
LD
MM
KE

MN

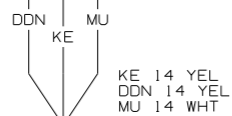
CCY
DDA
MU
LD
LE
DDN

- 1-CCY 16 YEL
- 2-DDN 14 YEL
- 3-DDA 16 YEL
- 4-LD 14 YEL
- 5-
- 6-LF 14 YEL
- 7-MU 14 WHT
- 8-LE 14 YEL
- 9-DDC 14 YEL

CONNECTS TO WIRE ASM-IP, RIGHT (SHT 3, D-8) (LOCATED UNDER DASH POD)



ANTENNA REMINDER MODULE



LEFT DEFROST FAN



- LF 14 YEL
- LE 14 YEL
- XW 14 WHT

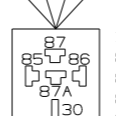
RIGHT DEFROST FAN



- LF 14 YEL
- LE 14 YEL
- XW 14 WHT

DDB
MG
KE
DDC

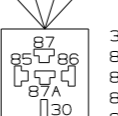
CONNECTS TO REAR AUTO HEATER RELAY



- 30-DDB 14 YEL
- 85-KE 14 YEL
- 86-MG 14 WHT
- 87-DDC 14 YEL
- 87A-

MD
WJ
LD
MG

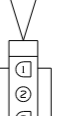
CONNECTS TO POWER MIRRORS RELAY



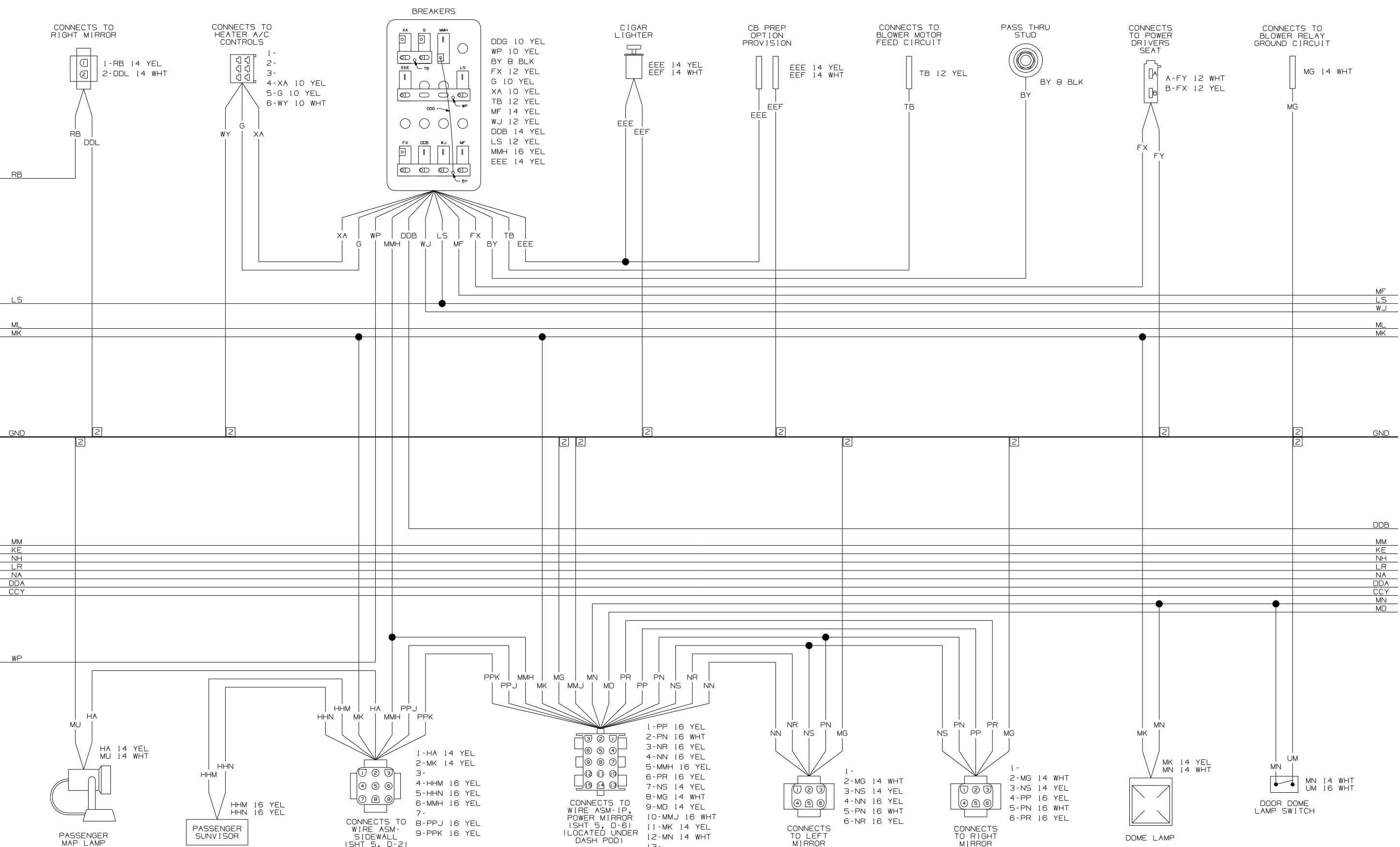
- 30-WJ 12 YEL
- 85-LD 14 YEL
- 86-MG 14 WHT
- 87-MD 14 YEL
- 87A-

KE
LD

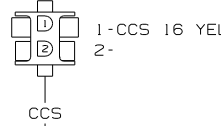
CONNECTS TO HWH WIRE ASM



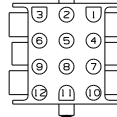
- 1-KE 14 YEL
- 2-
- 3-LD 14 YEL



CONNECTS TO DELUXE SOUND POWER FILTER

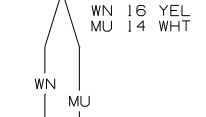


CONNECTS TO RADIO

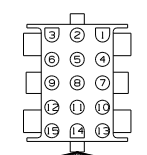


- 1-WN 16 YEL
- 2-LC 16 WHT
- 3-LA 16 YEL
- 4-CCS 16 YEL
- 5-AT 16 WHT
- 6-KY 16 YEL
- 7-
- 8-AS 16 WHT
- 9-KW 16 YEL
- 10-MU 14 WHT
- 11-LB 16 WHT
- 12-KX 16 YEL

SATELLITE RADIO



CONNECTS TO WIRE ASM-IP,RIGHT (SHT 3, D-14) (LOCATED UNDER DASH POD)



- 1-LS 12 YEL
- 2-LM 16 WHT
- 3-MK 14 YEL
- 4-LN 16 WHT
- 5-LP 16 YEL
- 6-MC 16 WHT
- 7-ML 16 YEL
- 8-HHE 16 YEL
- 9-GT 16 YEL
- 10-DP 16 YEL
- 11-KKL 16 YEL
- 12-HHF 16 YEL
- 13-WN 16 YEL
- 14-LL 16 WHT
- 15-DR 16 YEL

CONNECTS TO DELUXE SOUND POWER FILTER



CONNECTS TO LEFT MIRROR



CONNECTS TO WIRE ASM-REAR MONITOR



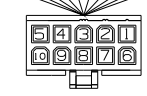
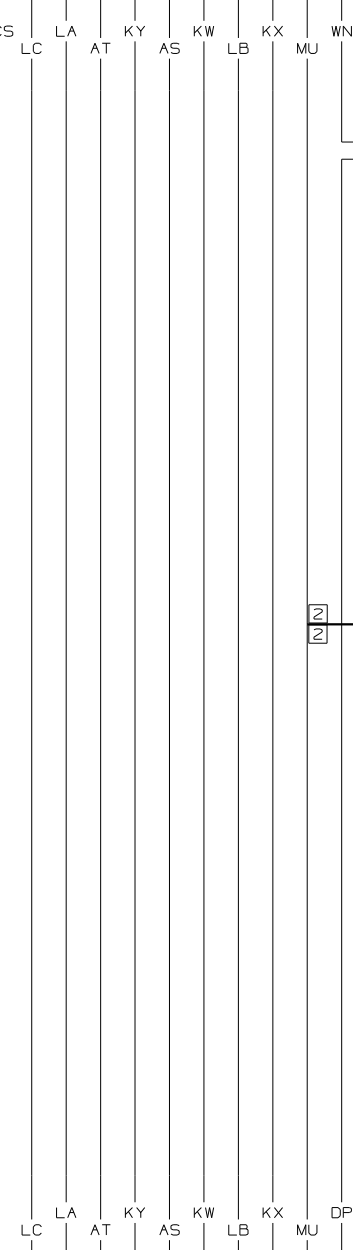
D

C

B

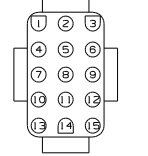
A

- NOTES:
- 6 SEE WIRING DIAGRAM-BODY,12V FOR ADDITIONAL INFORMATION.
 - 5 SEE WIRING DIAGRAM-AUTO LAMPS FOR ADDITIONAL INFORMATION.
 - 4 SEE MANUFACTURERS DIAGRAM FOR ADDITIONAL INFORMATION.
 - 3 GROUNDS ARE SHOWN AS A SINGLE LINE FOR EASE IN TRACING. EACH GROUND CIRCUIT IS SEPERATE IN THE HARNESS.
 - 2 NOT A SPLICE POINT. INDICATES ENTRY INTO WIRING HARNESS.
 - 1. SPLICES ARE THEORETICAL AND MAY DIFFER IN THE HARNESS.



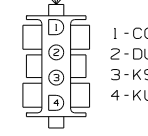
- 1-KW 16 YEL
- 2-KY 16 YEL
- 3-KX 16 YEL
- 4-LA 16 YEL
- 5-DP 16 YEL
- 6-AS 16 WHT
- 7-AT 16 WHT
- 8-LB 16 WHT
- 9-LC 16 WHT
- 10-MU 16 WHT

CONNECTS TO HWH WIRE ASM (LOCATED UNDER LEFT DASH)



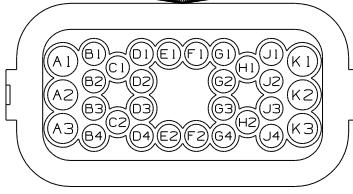
- 1-DR 16 YEL
- 2-DU 16 YEL
- 3-CCZ 16 YEL
- 4-BBM 16 YEL
- 5-BBN 16 YEL
- 6-KKK 16 YEL
- 7-HHE 16 YEL
- 8-HHF 16 YEL
- 9-KKL 16 YEL
- 10-
- 11-
- 12-
- 13-DDA 16 YEL
- 14-CCY 16 YEL
- 15-

CONNECTS TO WIRE ASM-IP,RIGHT (SHT 3, D-4) (LOCATED UNDER DASH POD)



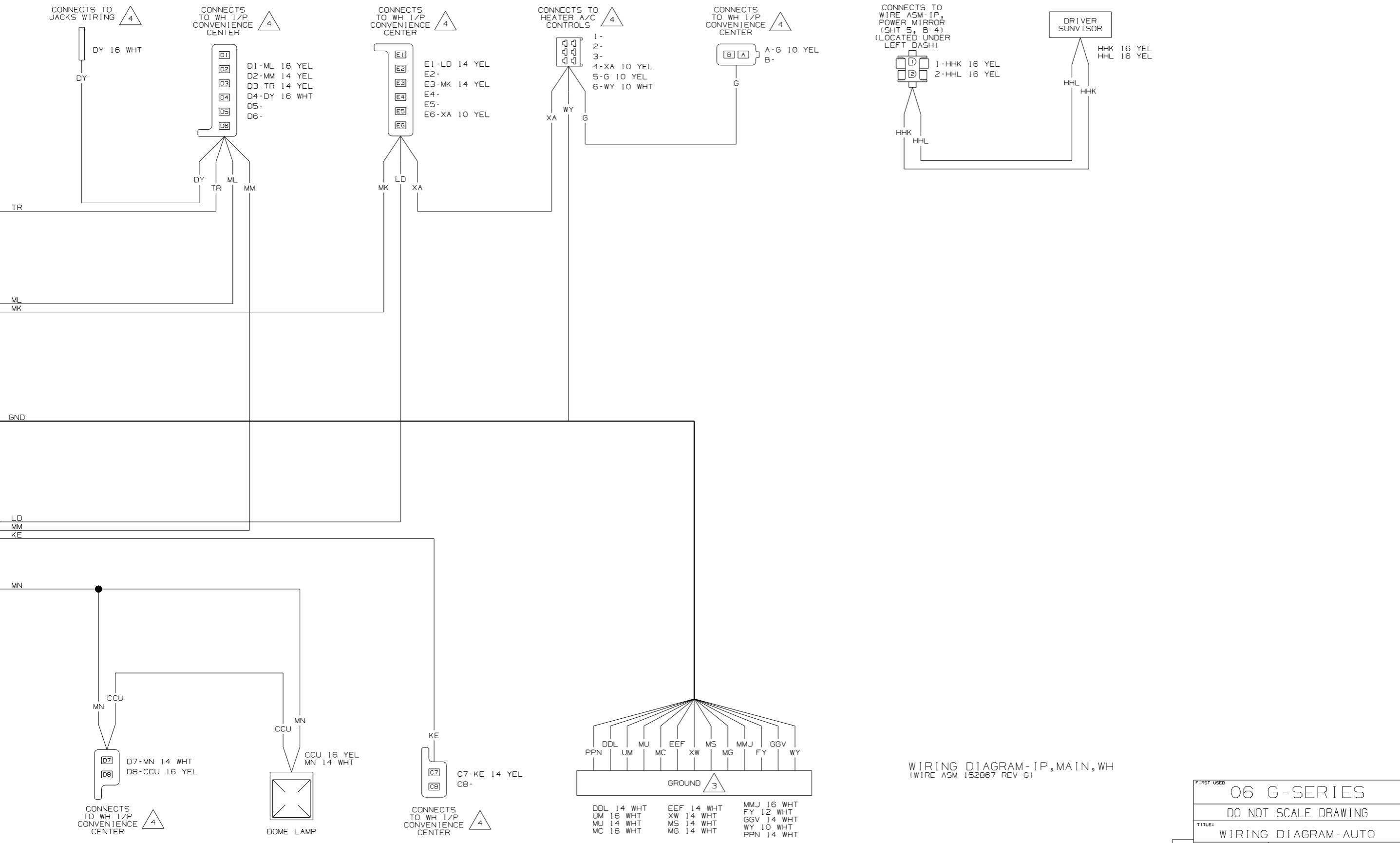
- 1-CCZ 16 YEL
- 2-DU 16 YEL
- 3-KS 14 YEL
- 4-KU 14 YEL

- A1-WP 10 YEL
- A2-KS 14 YEL
- A3-RA 14 YEL
- B1-
- B2-
- B3-
- B4-
- C1-KE 14 YEL
- C2-RB 14 YEL
- D1-LL 16 WHT



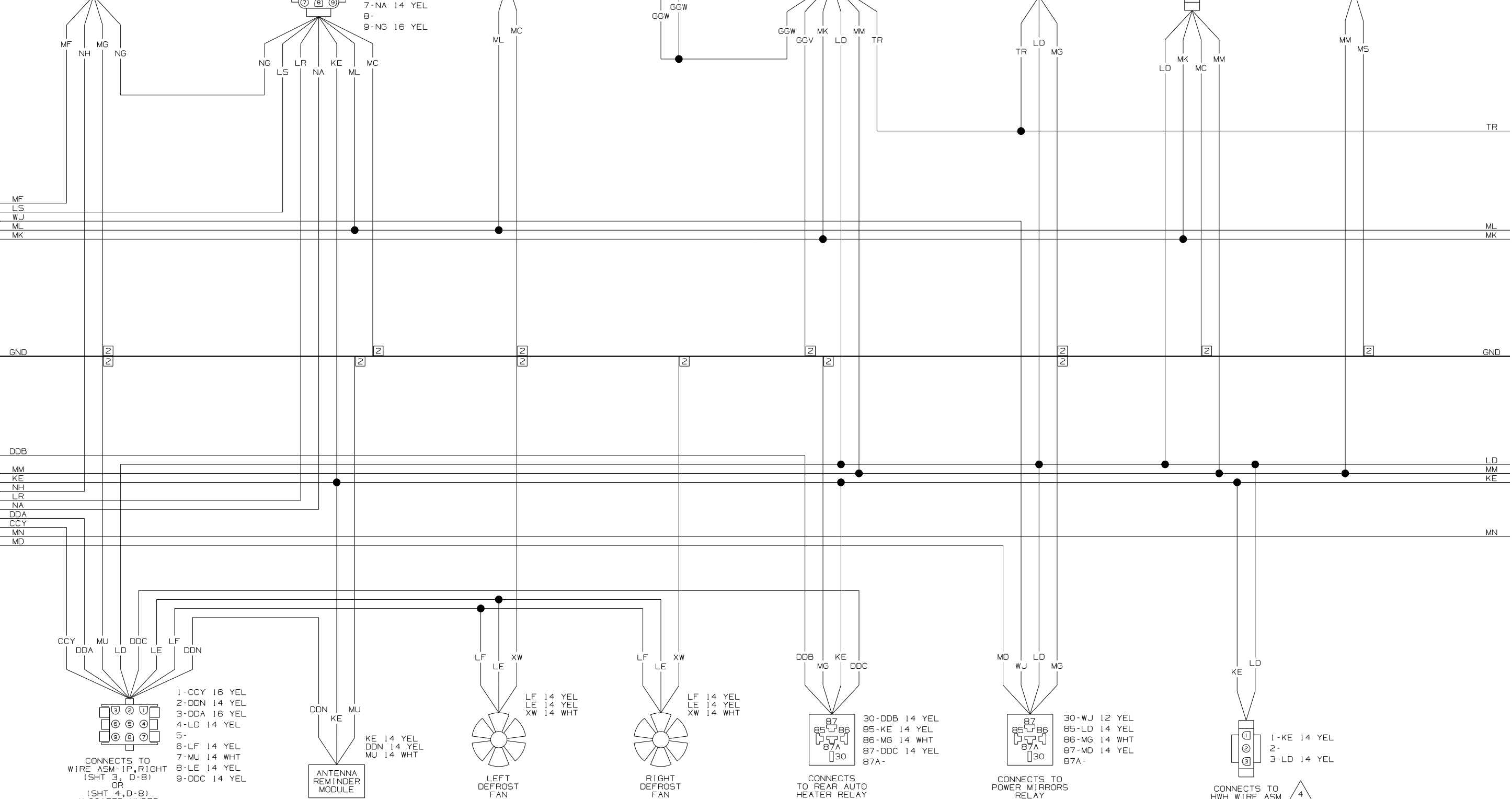
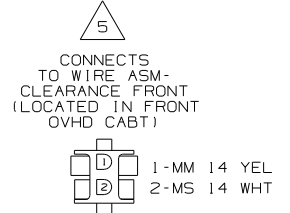
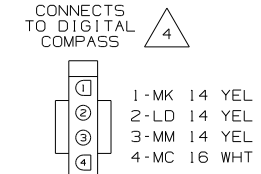
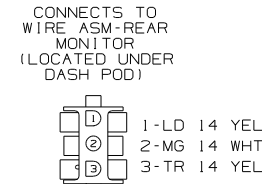
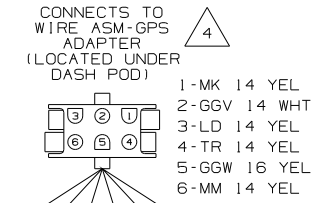
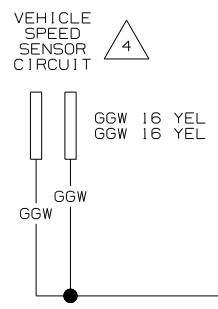
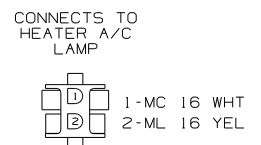
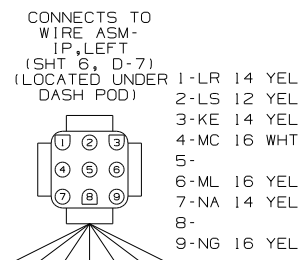
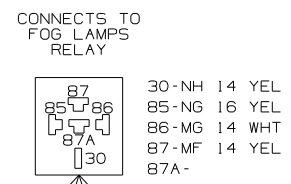
CONNECTS TO WIRE ASM-CHASSIS (LOCATED ON DRIVER'S PLATFORM)

- D2-LM 16 WHT
- D3-LN 16 WHT
- D4-LP 16 YEL
- E1-MM 14 YEL
- E2-BBN 16 YEL
- F1-BBM 16 YEL
- F2-KKK 16 YEL
- G1-DDA 16 YEL
- G2-CCY 16 YEL
- G3-LR 14 YEL
- G4-NA 14 YEL
- H1-KU 14 YEL
- H2-NH 14 YEL
- J1-
- J2-
- J3-
- J4-
- K1-HHE 16 YEL
- K2-HHF 16 YEL
- K3-KKL 16 YEL

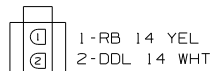


WIRING DIAGRAM-IP,MAIN,WH (WIRE ASM 152867 REV-G)

FIRST USED		06 G-SERIES	
DO NOT SCALE DRAWING			
TITLE		WIRING DIAGRAM-AUTO	
F1	SHEET 2	PART NO	152112

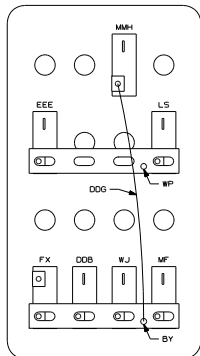


CONNECTS TO RIGHT MIRROR



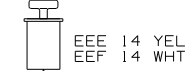
RB
DDL

BREAKERS



- DDG 10 YEL
- WP 10 YEL
- BY 8 BLK
- FX 12 YEL
- MF 14 YEL
- WJ 12 YEL
- DDB 14 YEL
- LS 12 YEL
- MMH 16 YEL
- EEE 14 YEL
- PPM 14 YEL

CIGAR LIGHTER



EEE EEF

CB PREP OPTION PROVISION



EEE 14 YEL
EEF 14 WHT

PASS THRU STUD



BY 8 BLK

CONNECTS TO POWER DRIVERS SEAT



A-FY 12 WHT
B-FX 12 YEL

PPM
WP
MMH
WJ
LS
MF
FX
BY
EEE

PPM
LS
ML
MK

MF
LS
WJ
ML
MK

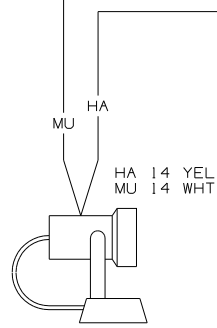
GND

GND

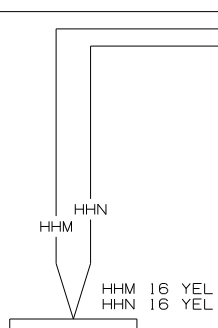
MM
KE
NH
LR
NA
DDA
CCY

DDB
MM
KE
NH
LR
NA
DDA
CCY
MN
MD

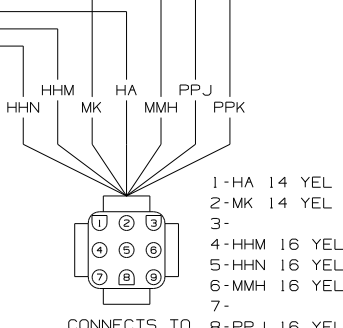
WP



PASSENGER MAP LAMP



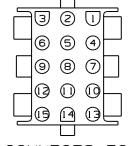
PASSENGER SUNVISOR



CONNECTS TO WIRE ASM-SIDEWALL (SHT 5, D-2) (LOCATED UNDER RIGHT DASH)

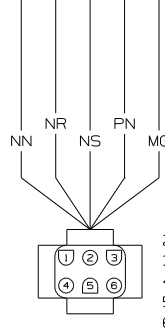
- 1-HA 14 YEL
- 2-MK 14 YEL
- 3-
- 4-HHM 16 YEL
- 5-HHN 16 YEL
- 6-MMH 16 YEL
- 7-
- 8-PPJ 16 YEL
- 9-PPK 16 YEL

PPK
PPJ
MMH
MK
MG
MMJ
MN
MD
PR
PP
PN
NS
NR
NN



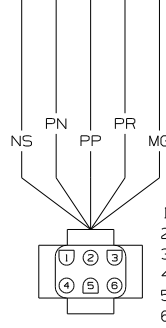
CONNECTS TO WIRE ASM-IP, POWER MIRROR (SHT 5, D-6) (LOCATED UNDER DASH POD)

- 1-PP 16 YEL
- 2-PN 16 WHT
- 3-NR 16 YEL
- 4-NN 16 YEL
- 5-MMH 16 YEL
- 6-PR 16 YEL
- 7-NS 14 YEL
- 8-MG 14 WHT
- 9-MD 14 YEL
- 10-MMJ 16 WHT
- 11-MK 14 YEL
- 12-MN 14 WHT
- 13-
- 14-PPJ 16 YEL
- 15-PPK 16 YEL



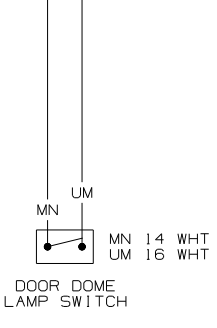
CONNECTS TO LEFT MIRROR

- 1-
- 2-MG 14 WHT
- 3-NS 14 YEL
- 4-NN 16 YEL
- 5-PN 16 WHT
- 6-NR 16 YEL



CONNECTS TO RIGHT MIRROR

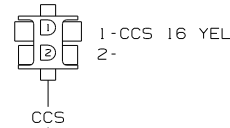
- 1-
- 2-MG 14 WHT
- 3-NS 14 YEL
- 4-PP 16 YEL
- 5-PN 16 WHT
- 6-PR 16 YEL



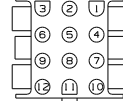
DOOR DOME LAMP SWITCH

- MN 14 WHT
- UM 16 WHT

CONNECTS TO DELUXE SOUND POWER FILTER



CONNECTS TO RADIO

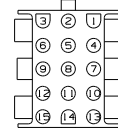


- 1-WN 16 YEL
- 2-LC 16 WHT
- 3-LA 16 YEL
- 4-CCS 16 YEL
- 5-AT 16 WHT
- 6-KY 16 YEL
- 7-
- 8-AS 16 WHT
- 9-KW 16 YEL
- 10-MU 14 WHT
- 11-LB 16 WHT
- 12-KX 16 YEL

SATELLITE RADIO



CONNECTS TO WIRE ASM-IP,RIGHT (SHT 3, D-14) OR (SHT 4, D-14) (LOCATED UNDER DASH POD)



- 1-LS 12 YEL
- 2-LM 16 WHT
- 3-MK 14 YEL
- 4-LN 16 WHT
- 5-LP 16 YEL
- 6-MC 16 WHT
- 7-ML 16 YEL
- 8-HHE 16 YEL
- 9-GT 16 YEL
- 10-DP 16 YEL
- 11-KKL 16 YEL
- 12-HHF 16 YEL
- 13-WN 16 YEL
- 14-LL 16 WHT
- 15-DR 16 YEL

CONNECTS TO DELUXE SOUND POWER FILTER



- 1-GT 16 YEL
- 2-MU 14 WHT

CONNECTS TO LEFT MIRROR



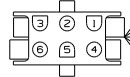
- 1-RA 14 YEL
- 2-DDL 14 WHT

CONNECTS TO WIRE ASM-REAR MONITOR



- 1-RB 14 YEL
- 2-RA 14 YEL

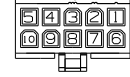
CONNECTS TO WIRE ASM-RIGHT (SHT 4, A-16) (LOCATED UNDER DASH POD)



- 1-PPM 14 YEL
- 2-PPN 14 WHT
- 3-PPS 14 YEL
- 4-PPT 14 YEL
- 5-PPW 14 YEL
- 6-

- PPN
- PPM
- PPS
- PPT
- PPW

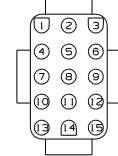
- LC
- LA
- AT
- KY
- AS
- KW
- LB
- KX
- MU
- DP



CONNECTS TO SIX-CHANNEL SWITCH

- 1-KW 16 YEL
- 2-KY 16 YEL
- 3-KX 16 YEL
- 4-LA 16 YEL
- 5-DP 16 YEL
- 6-AS 16 WHT
- 7-AT 16 WHT
- 8-LB 16 WHT
- 9-LC 16 WHT
- 10-MU 16 WHT

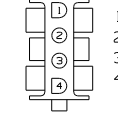
- DR
- DDA
- CCY
- KKL
- HHF
- HHE
- KKK
- BBN
- BBM
- CCZ
- DU



CONNECTS TO HW WIRE ASM (LOCATED UNDER LEFT DASH)

- 1-DR 16 YEL
- 2-DU 16 YEL
- 3-CCZ 16 YEL
- 4-BBM 16 YEL
- 5-BBN 16 YEL
- 6-KKK 16 YEL
- 7-HHE 16 YEL
- 8-HHF 16 YEL
- 9-KKL 16 YEL
- 10-
- 11-
- 12-
- 13-DDA 16 YEL
- 14-CCY 16 YEL
- 15-

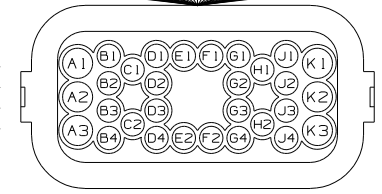
- DU
- CCZ
- KS
- KU
- KU
- KS
- CCZ
- BBM
- KKK
- HHE
- HHF
- KKL
- PPW
- PPT
- PPS
- PPM
- CCY
- LL
- LM
- LN
- LP
- MM
- KE
- NH
- LR
- NA
- RA
- RB
- WP



CONNECTS TO WIRE ASM-IP,RIGHT (SHT 3, D-4) OR (SHT 4, D-4) (LOCATED UNDER DASH POD)

- 1-CCZ 16 YEL
- 2-DU 16 YEL
- 3-KS 14 YEL
- 4-KU 14 YEL

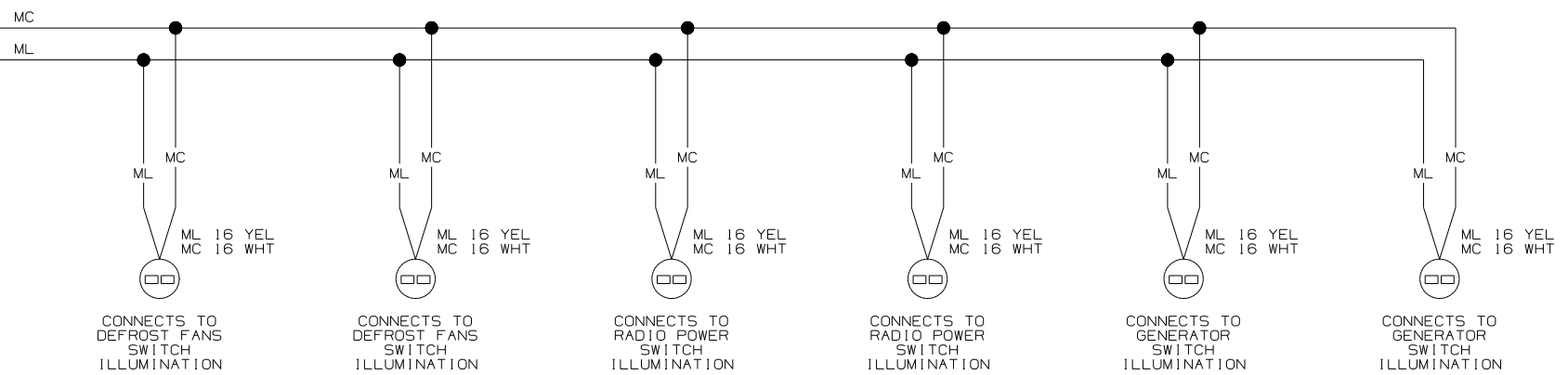
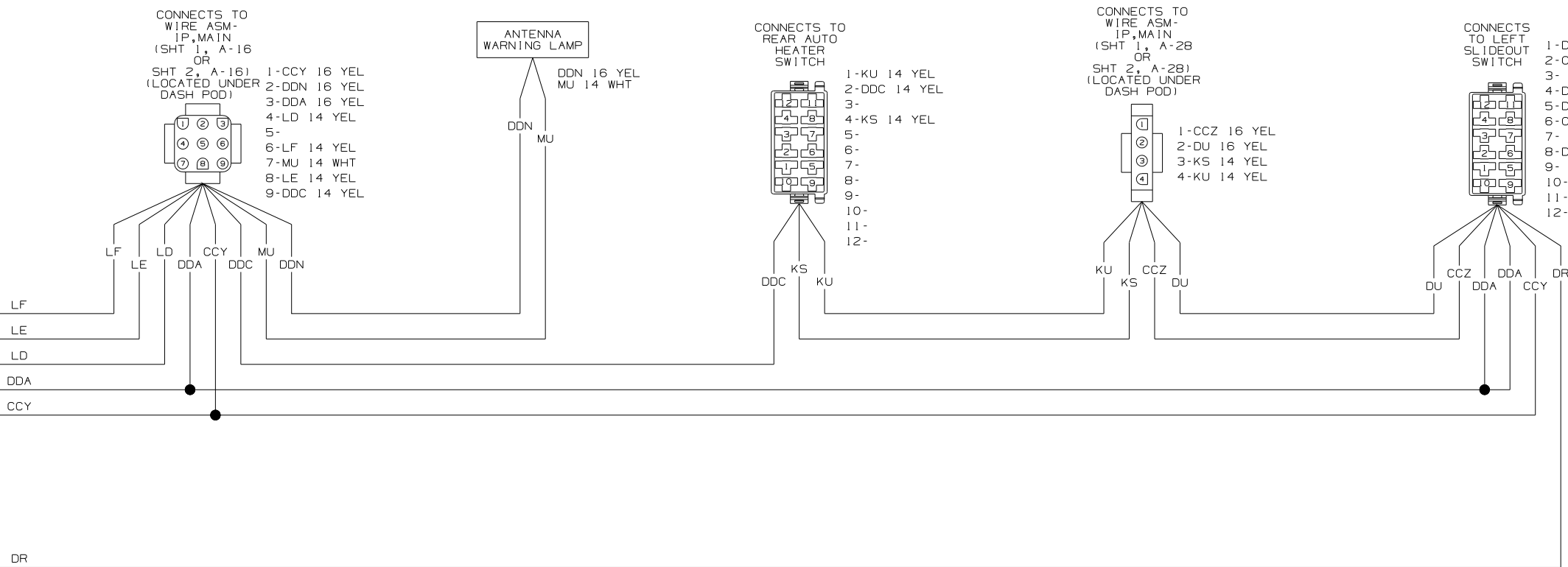
- A1-WP 10 YEL
- A2-KS 14 YEL
- A3-RA 14 YEL
- B1-PPS 14 YEL
- B2-PPT 14 YEL
- B3-PPW 14 YEL
- B4-CCZ 14 YEL
- C1-KE 14 YEL
- C2-RB 14 YEL
- D1-LL 16 WHT



CONNECTS TO WIRE ASM-CHASSIS (LOCATED ON DRIVER'S PLATFORM)

- D2-LM 16 WHT
- D3-LN 16 WHT
- D4-LP 16 YEL
- E1-MM 14 YEL
- E2-BBN 16 YEL
- F1-BBM 16 YEL
- F2-KKK 16 YEL
- G1-DDA 16 YEL
- G2-CCY 16 YEL
- G3-LR 14 YEL
- G4-NA 14 YEL
- H1-KU 14 YEL
- H2-NH 14 YEL
- J1-PPM 14 YEL
- J2-
- J3-
- J4-
- K1-HHE 16 YEL
- K2-HHF 16 YEL
- K3-KKL 16 YEL

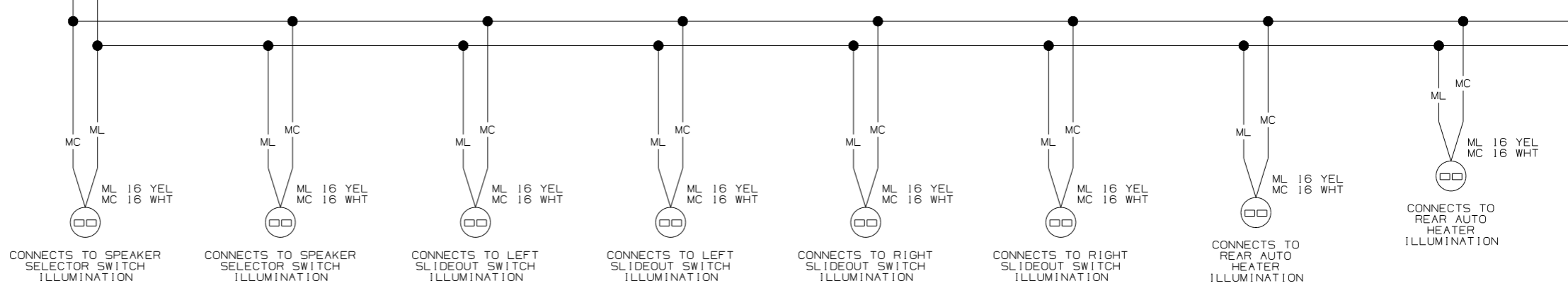
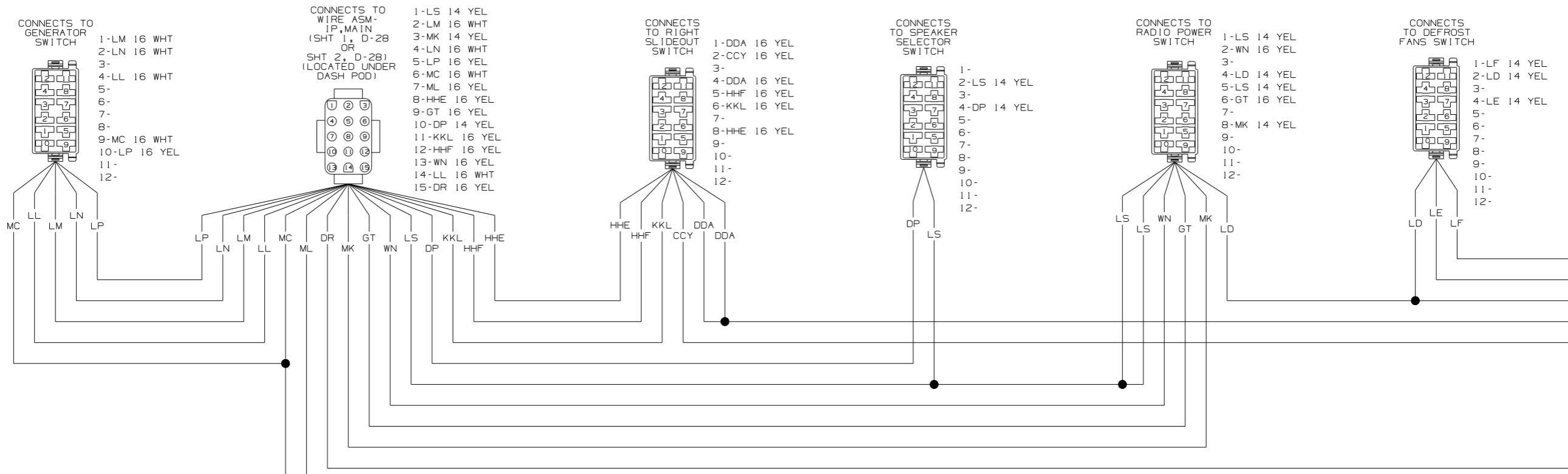
- 6 SEE WIRING DIAGRAM-BODY,12V FOR ADDITIONAL INFORMATION.
 - 5 SEE WIRING DIAGRAM-AUTO LAMPS FOR ADDITIONAL INFORMATION.
 - 4 SEE MANUFACTURERS DIAGRAM FOR ADDITIONAL INFORMATION.
 - 3 GROUNDS ARE SHOWN AS A SINGLE LINE FOR EASE IN TRACING. EACH GROUND CIRCUIT IS SEPERATE IN THE HARNESS.
 - 2 NOT A SPLICE POINT. INDICATES ENTRY INTO WIRING HARNESS.
- NOTES:
1. SPLICES ARE THEORETICAL AND MAY DIFFER IN THE HARNESS.



WIRING DIAGRAM-IP,RIGHT (WIRE ASM 150751-01 REV-F)

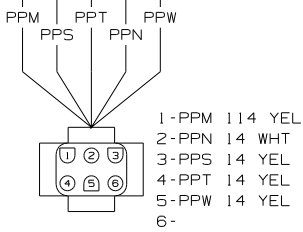
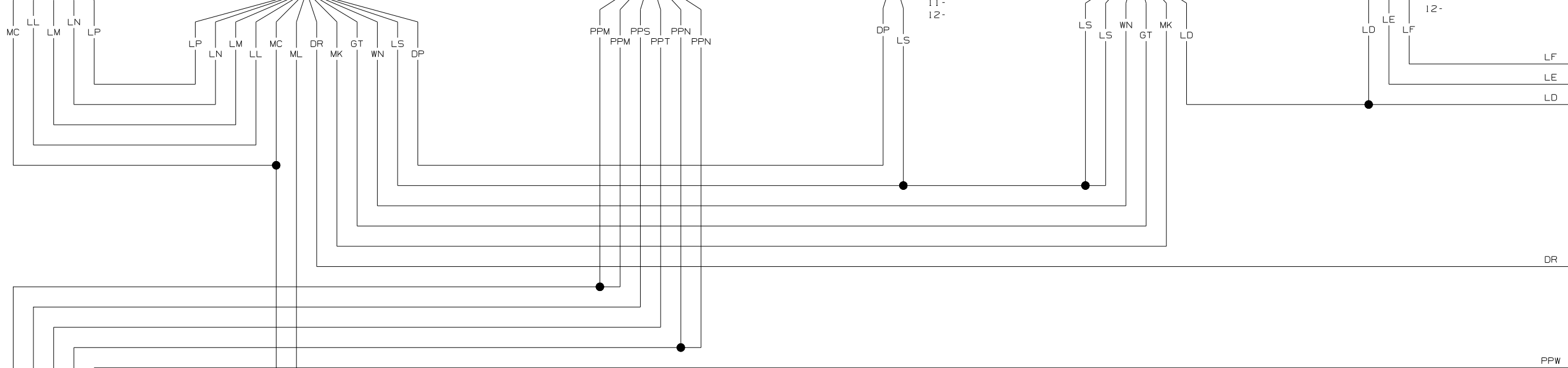
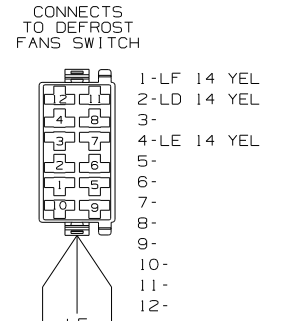
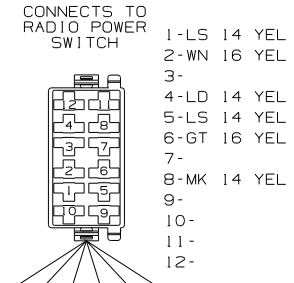
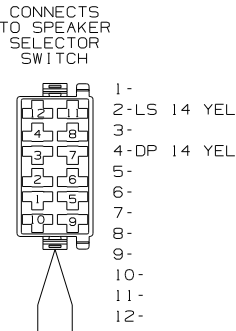
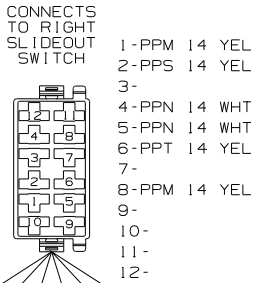
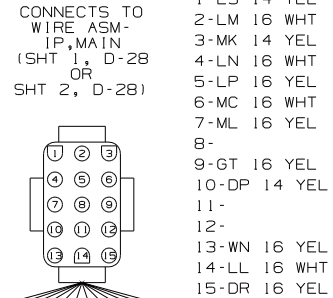
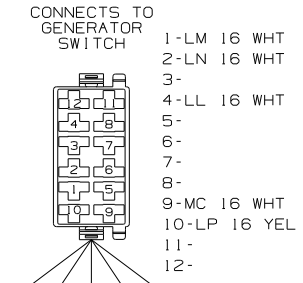
FIRST USED		06 G-SERIES	
DO NOT SCALE DRAWING			
TITLE: WIRING DIAGRAM-AUTO			
F1	SHEET 3	PART NO	152112

D
C
B
A

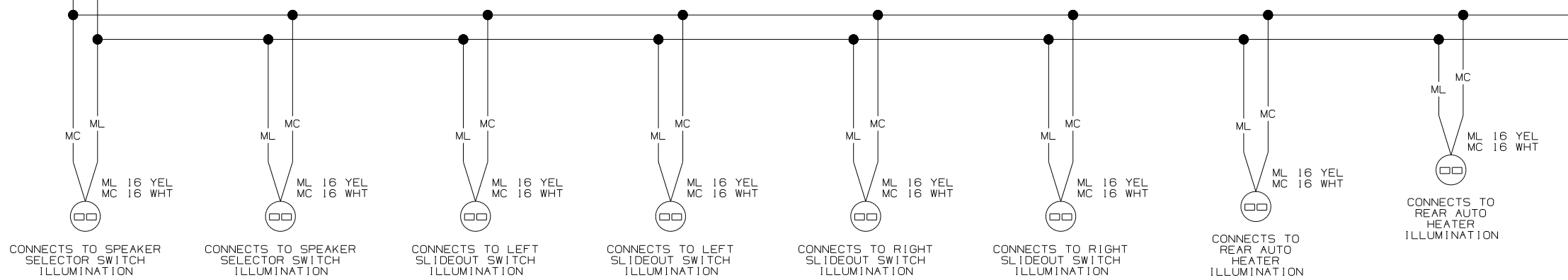


1. SPLICES ARE THEORETICAL AND MAY DIFFER IN THE HARNESS.

NOTES:

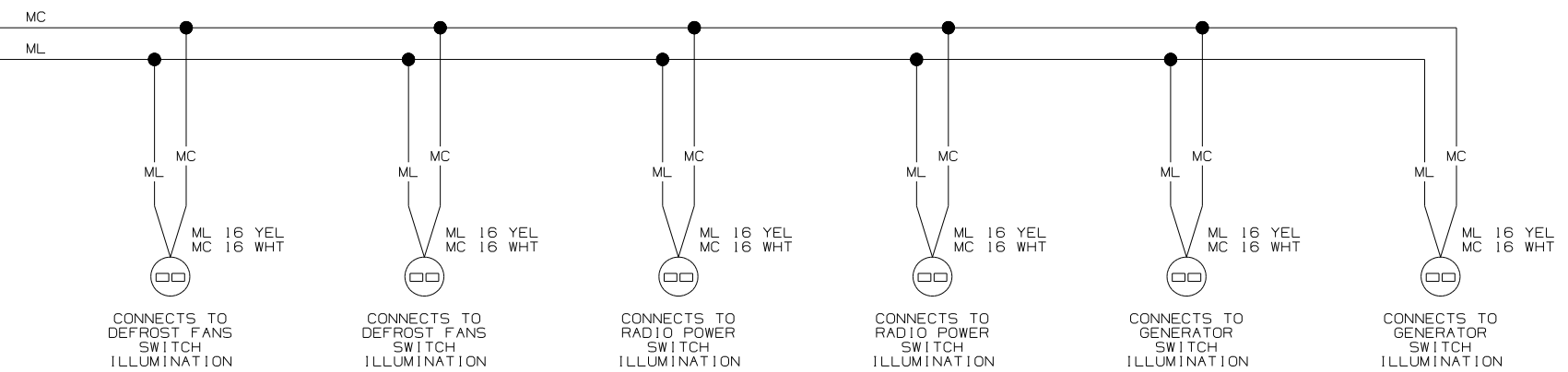
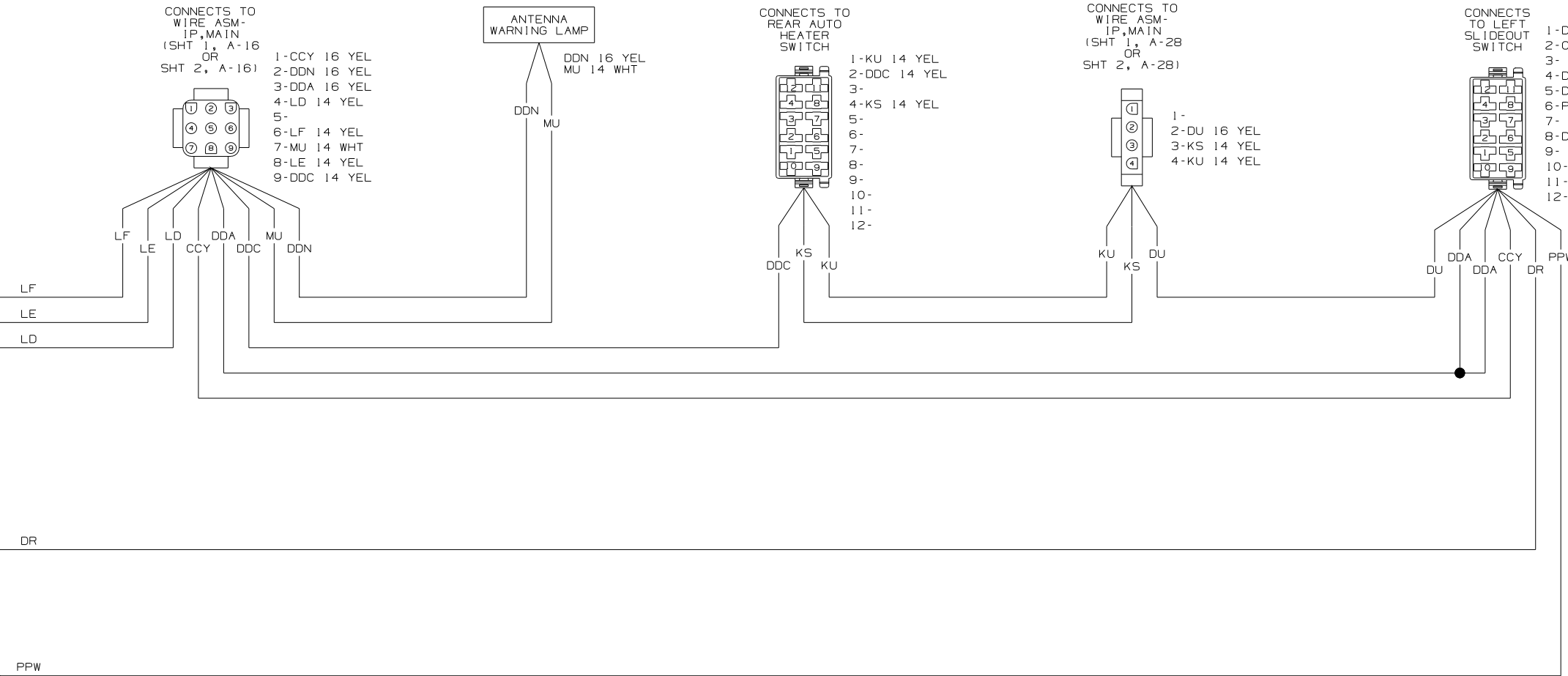


CONNECTS TO WIRE ASM-IP,MAIN (SHT 2, B-32) (LOCATED UNDER DASH POD)



1. SPLICES ARE THEORETICAL AND MAY DIFFER IN THE HARNESS.

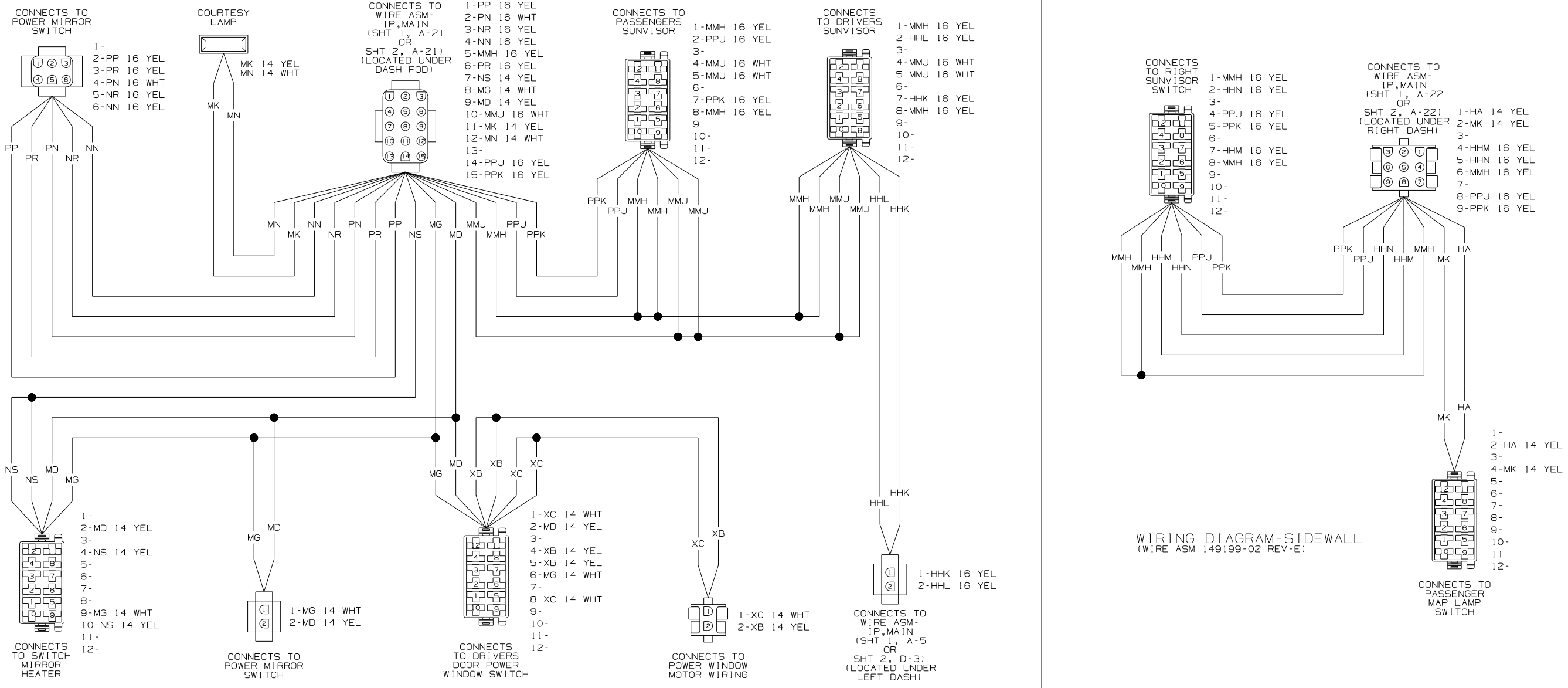
NOTES:



WIRING DIAGRAM-IP,RIGHT (WIRE ASM 150751-02 REV-F) (WITH 638T ONLY)

FIRST USED		06 G-SERIES	
DO NOT SCALE DRAWING			
TITLE: WIRING DIAGRAM-AUTO			
F1	SHEET 4	PART NO	152112

D
C
B
A

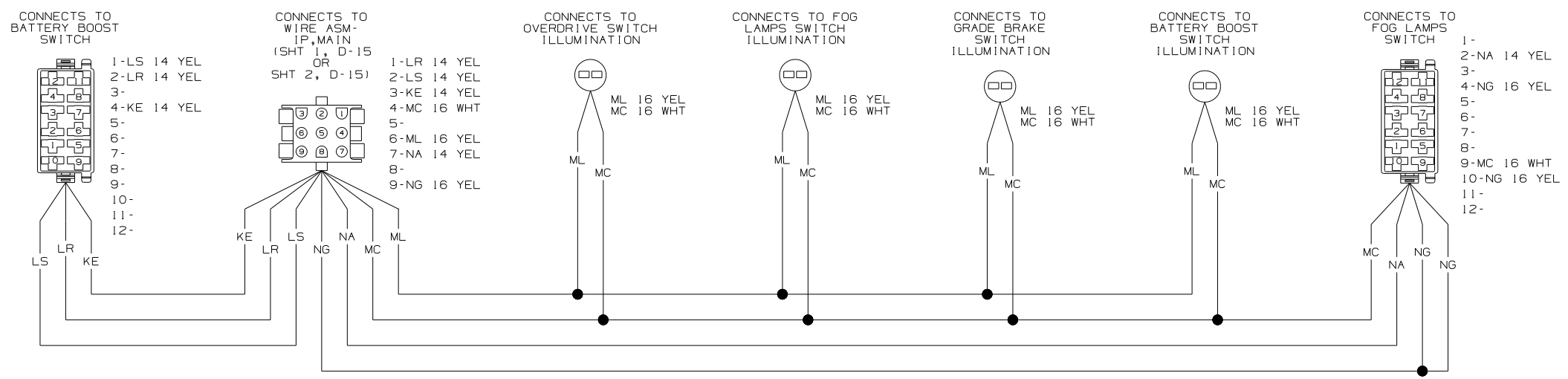


WIRING DIAGRAM-IP,POWER MIRROR (WIRE ASM 129436-11 REV-AE)

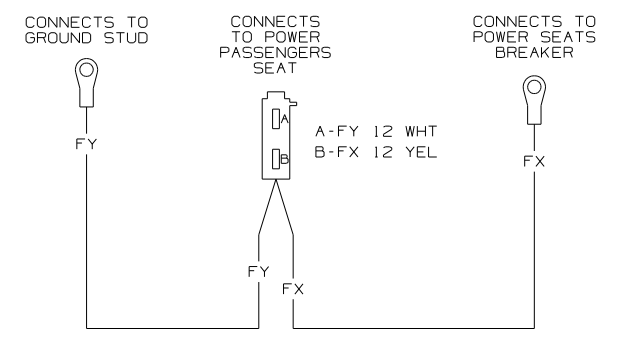
WIRING DIAGRAM-SIDEWALL (WIRE ASM 149199-02 REV-E)

NOTES: 1. SPLICES ARE THEORETICAL AND MAY DIFFER IN THE HARNESS.

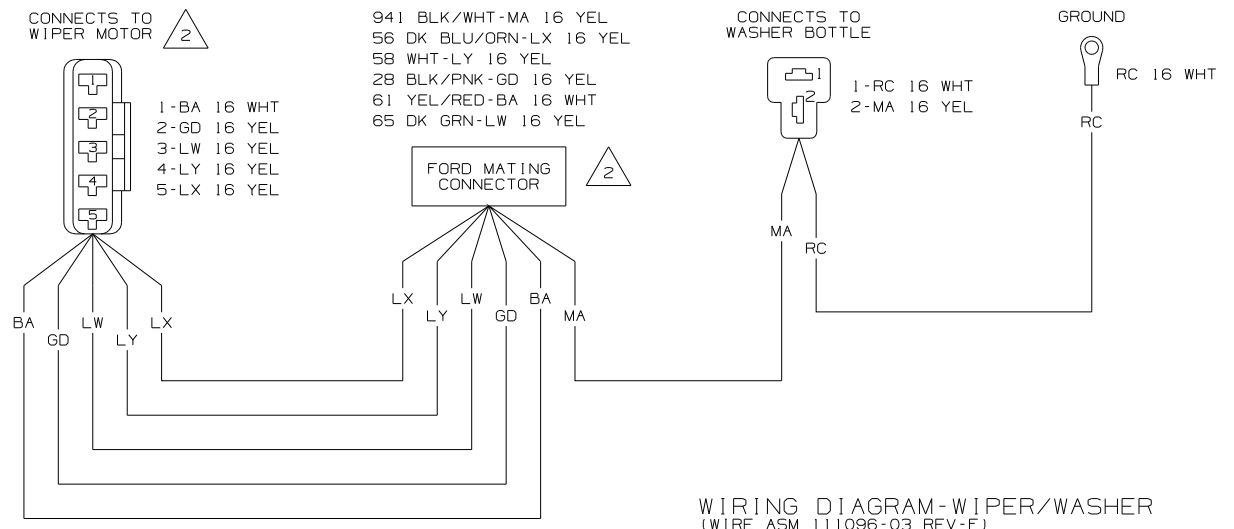
FIRST USED	06 G-SERIES
TITLE	DO NOT SCALE DRAWING
TITLE	WIRING DIAGRAM-AUTO
SHEET 5	PART NO 152112



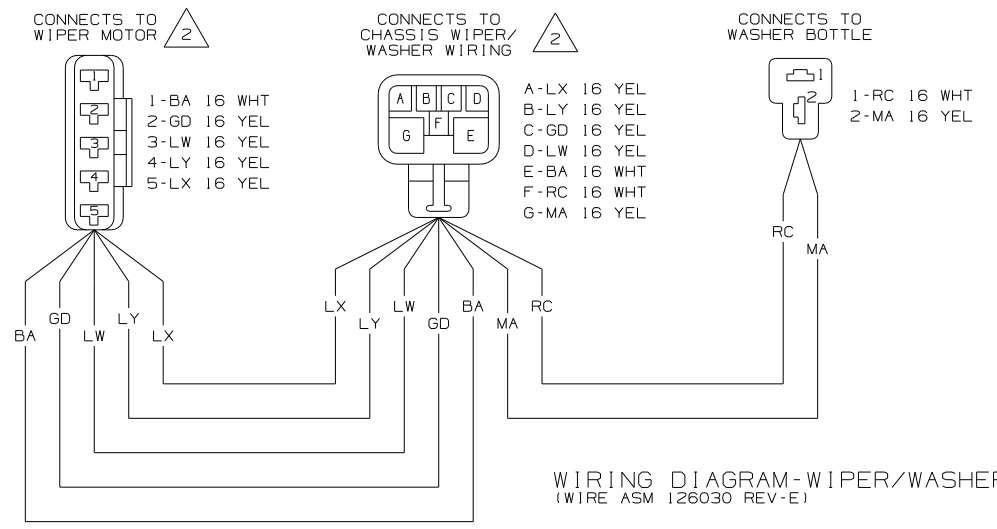
WIRING DIAGRAM-IP, LEFT (WIRE ASM 150752 REV-C)



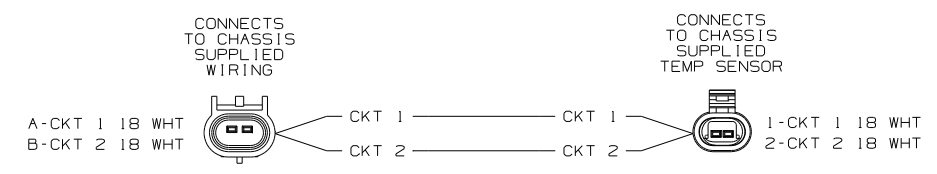
WIRING DIAGRAM-POWER DRIVER SEAT (108029-03 REV-N)



WIRING DIAGRAM-WIPER/WASHER (WIRE ASM 111096-03 REV-F)



WIRING DIAGRAM-WIPER/WASHER (WIRE ASM 126030 REV-E)



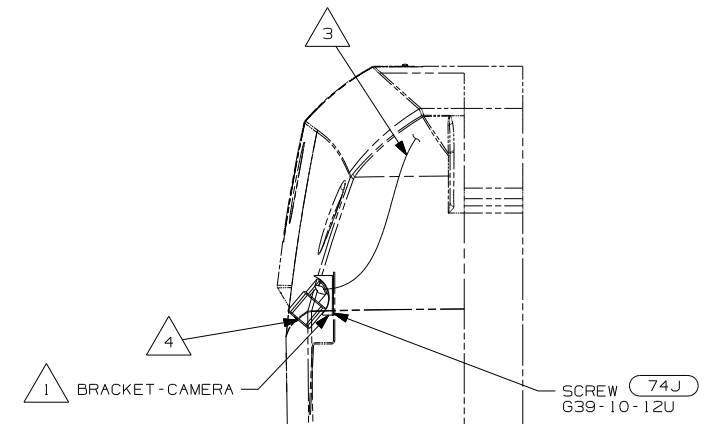
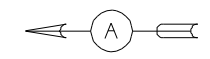
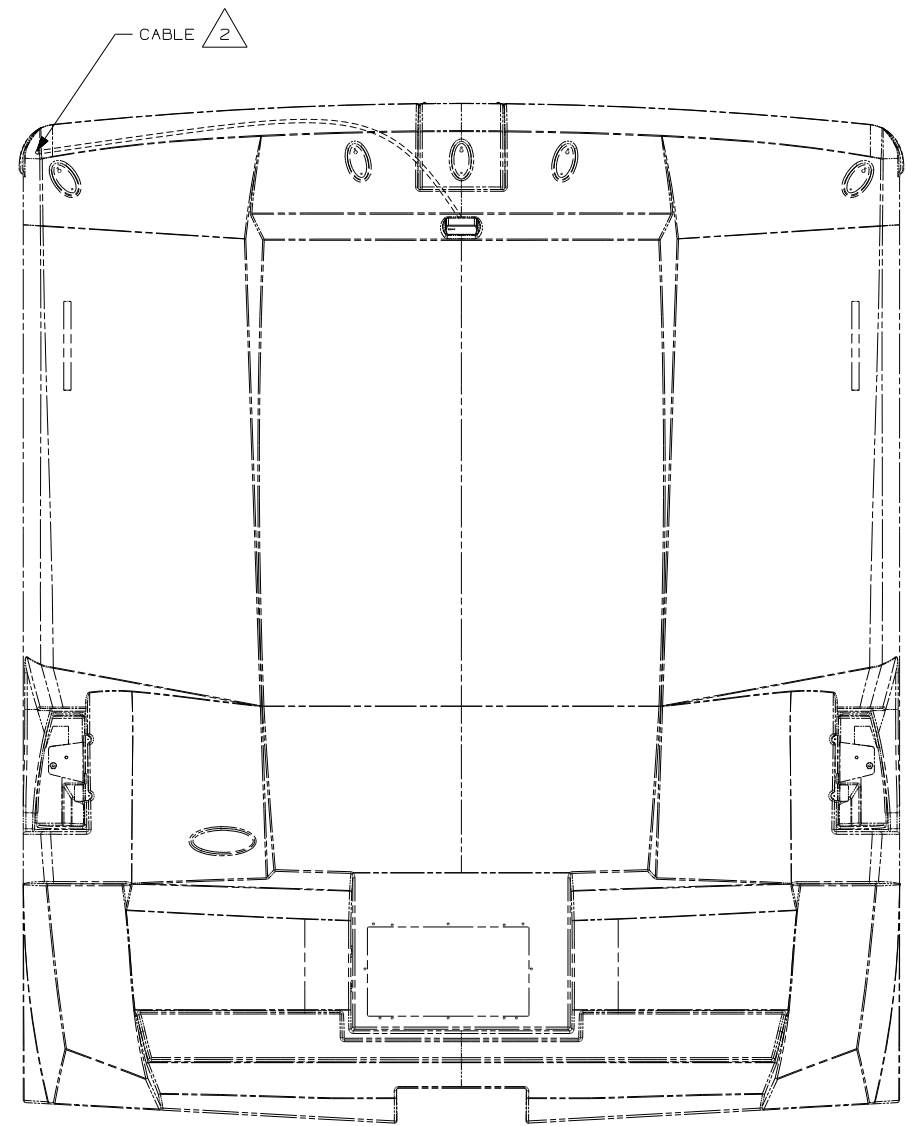
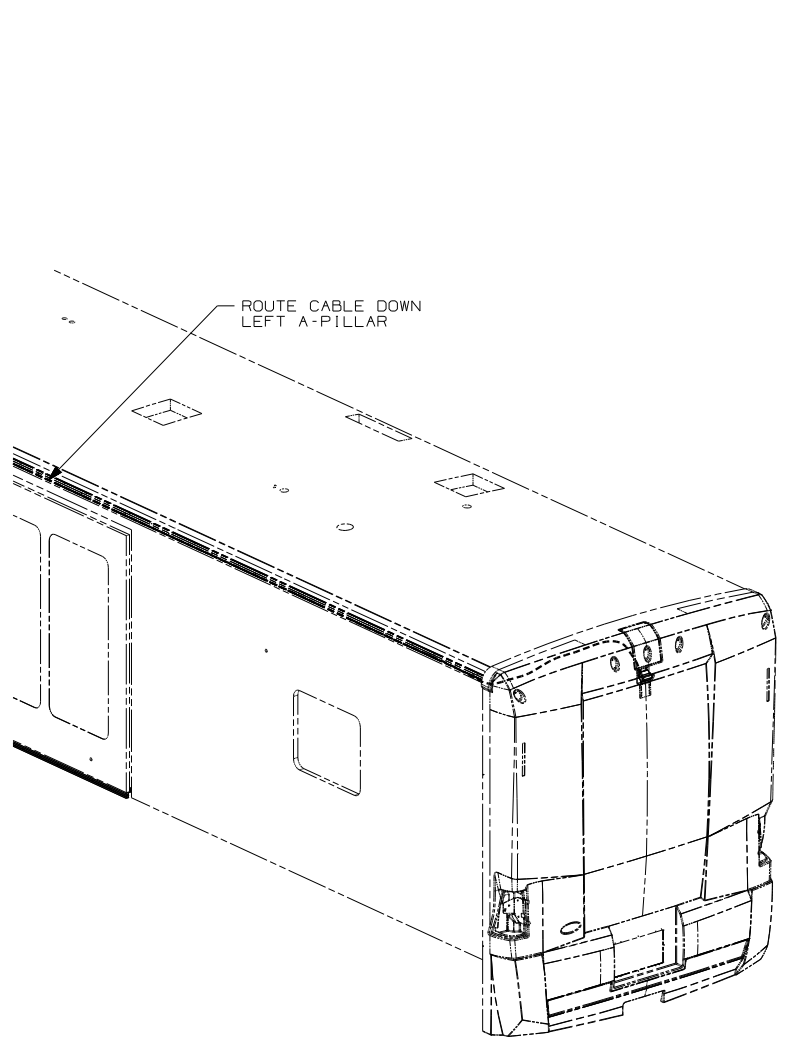
WIRING DIAGRAM-TEMP, SENSOR (WIRE ASM 147313 REV-C)

SEE MANUFACTURERS DIAGRAM FOR ADDITIONAL INFORMATION.

1. SPLICES ARE THEORETICAL AND MAY DIFFER IN THE HARNESS.

NOTES:

FIRST USED	06 G-SERIES
TITLE:	DO NOT SCALE DRAWING
	WIRING DIAGRAM-AUTO
SHEET 6	PART NO 152112

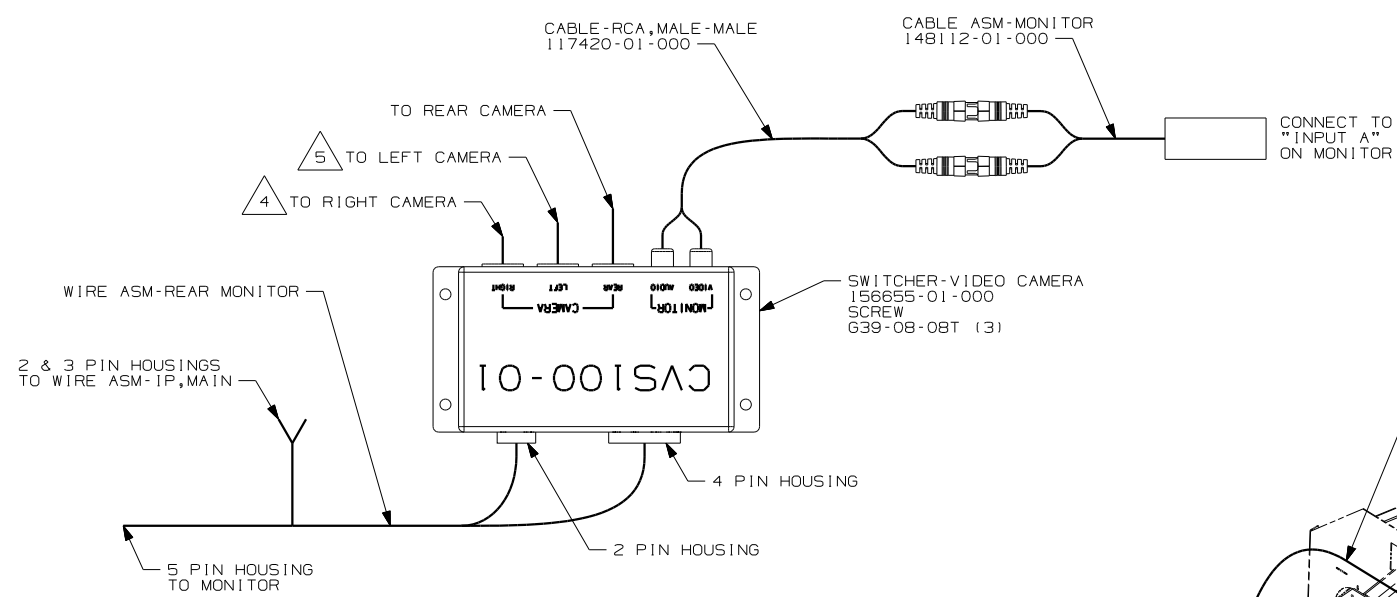


DETAIL A

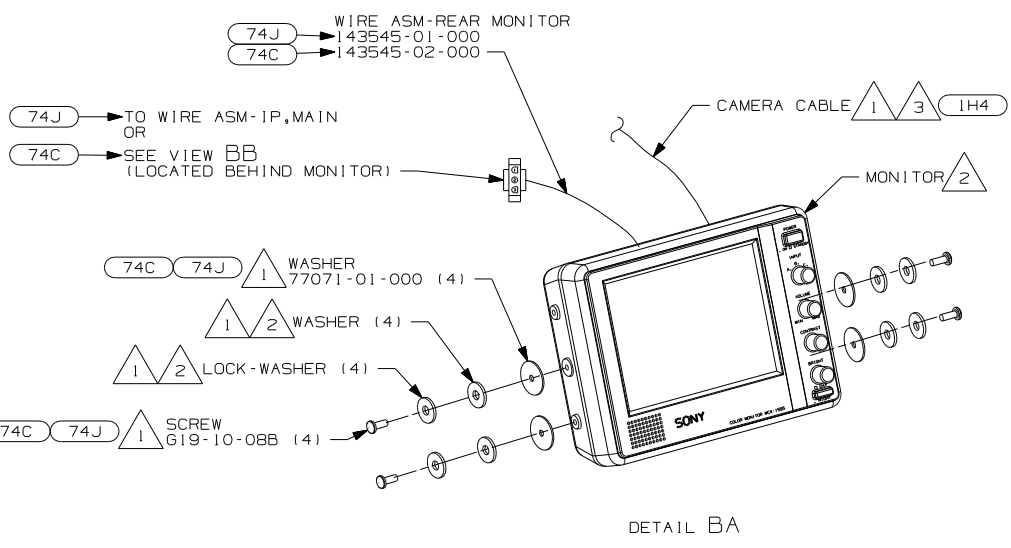
- (74J) REARVIEW MONITOR SYSTEM
- (1H4) REARVIEW MONITOR-WIRE PREP
- (1A5) REARVIEW MONITOR SYSTEM W/O

- NOTES:
- △ 4 ALIGN CAMERA IN CENTER OF SHROUD OPENING AND ADJUST SO BACKWALL IS JUST VISABLE.
 - △ 3 END STANDARD CABLE IN THIS AREA ON UNITS WITHOUT MONITOR. (1A5) (1H4)
 - △ 2 RUN CABLE THRU LEFT HAND COVE TO REAR OF UNIT. STANDARD ON ALL UNITS WITH (1A5) (1H4) (74J)
 - △ 1 PARTS SUPPLIED WITH CAMERA KIT P/N 143363-05-000. (74J)

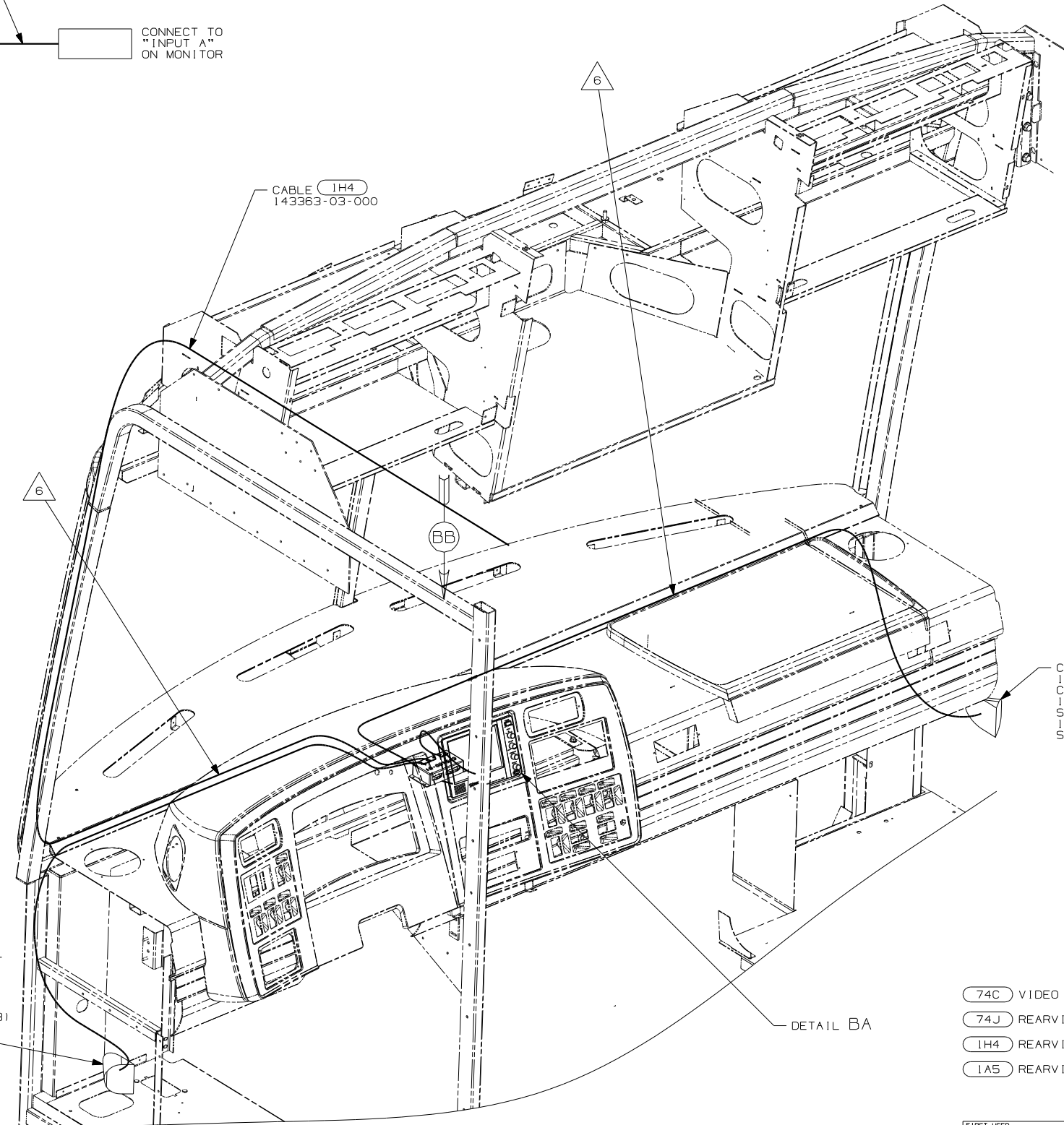
WINNEBAGO		COPYRIGHT 2004 WINNEBAGO INDUSTRIES, INC.	
DFTR	ORIG. DATE	ALL DIMENSIONS ARE IN MILLIMETERS	
CHKR		FIRST USED	
P.E.		06 G-SER	
M.E.		UNSPECIFIED TOLERANCES ARE:	
DSNR		MATERIAL:	
		WHOLE DIM (X)	: 3
		ONE-PLACE (X.X)	: 1.5
		TWO-PLACE (X.XX)	: 0.50
		ANGLE	: 1°
THIRD ANGLE PROJECTION			
DO NOT SCALE DRAWING			
TITLE: MONITOR INSTL			
SHEET 1 OF 2	PART NO	152127	
REF:	1 9/14/2005		



VIEW BB (74C)



DETAIL BA



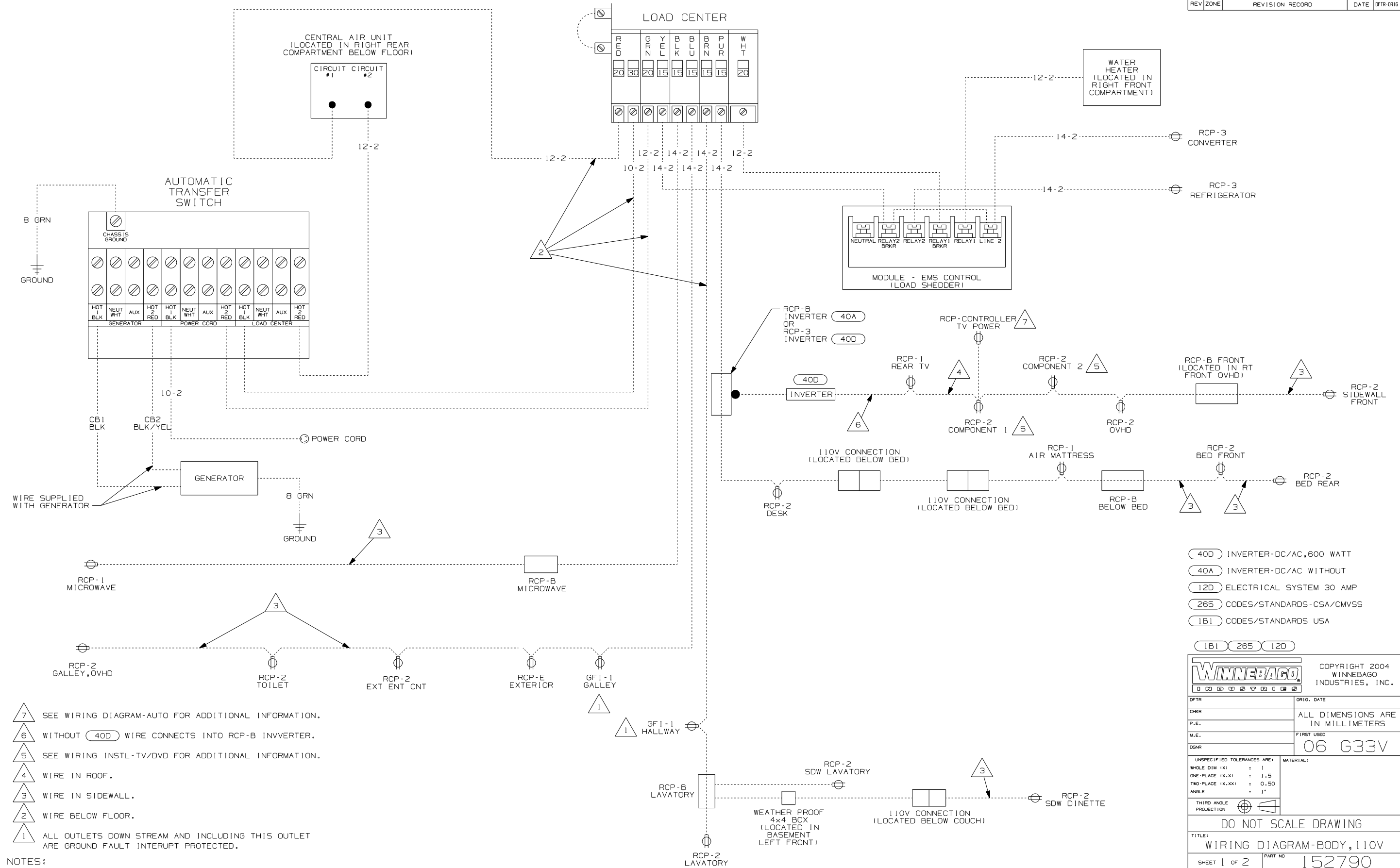
DETAIL BA

- 6 ROUTE CAMERA CABLES WITH AND TIE TO WIRE ASM-IP, MAIN TO LEFT AND RIGHT CAMERAS.
- 5 MARK LEFT CABLE WITH YELLOW TAPE 900000-07-000 NEXT TO CONNECTOR.
- 4 MARK RIGHT CABLE WITH WHITE TAPE 900000-08-000 NEXT TO CONNECTOR.
- 3 END CABLE IN THIS AREA ON UNITS W/O MONITOR. (1A5) (1H4)
- 2 PARTS SUPPLIED WITH MONITOR P/N 143363-01-000. (74J)
- 1 CONNECT TO "INPUT A" ON BACK OF MONITOR. SEE REARVIEW MONITOR KIT INSTALLATION INSTRUCTIONS FOR MORE DETAILS.

NOTES:

- (74C) VIDEO CAMERA SYSTEM
- (74J) REARVIEW MONITOR SYSTEM
- (1H4) REARVIEW MONITOR-WIRE PREP
- (1A5) REARVIEW MONITOR SYSTEM W/O

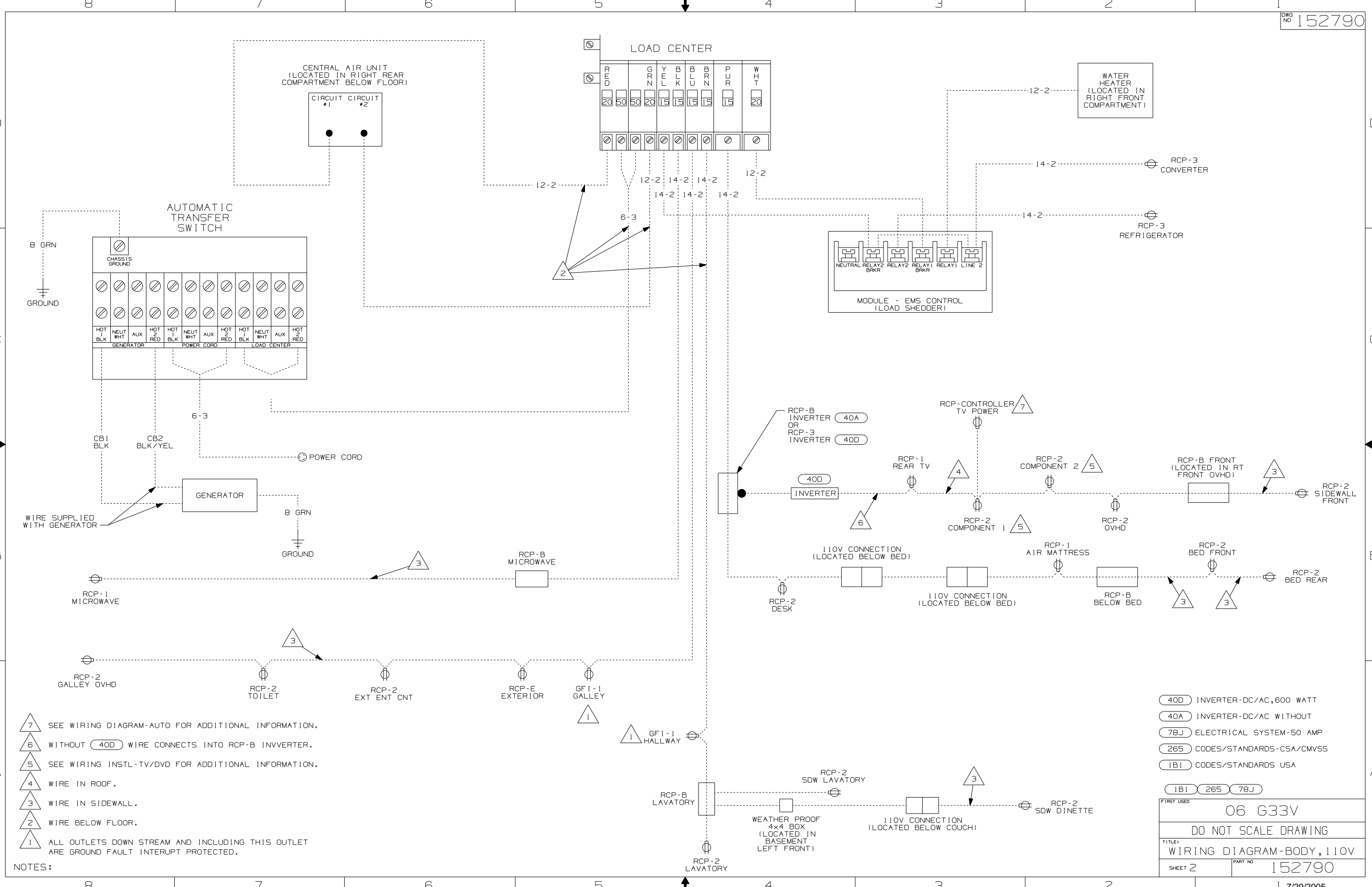
FIRST USED	06 G-SER	
TITLE	DO NOT SCALE DRAWING	
	MONITOR INSTL	
SHEET 2	PART NO	152127



- NOTES:
- 7 SEE WIRING DIAGRAM-AUTO FOR ADDITIONAL INFORMATION.
 - 6 WITHOUT (40D) WIRE CONNECTS INTO RCP-B INVERTER.
 - 5 SEE WIRING INSTL-TV/DVD FOR ADDITIONAL INFORMATION.
 - 4 WIRE IN ROOF.
 - 3 WIRE IN SIDEWALL.
 - 2 WIRE BELOW FLOOR.
 - 1 ALL OUTLETS DOWN STREAM AND INCLUDING THIS OUTLET ARE GROUND FAULT INTERRUPT PROTECTED.

- (40D) INVERTER-DC/AC, 600 WATT
- (40A) INVERTER-DC/AC WITHOUT
- (12D) ELECTRICAL SYSTEM 30 AMP
- (265) CODES/STANDARDS-CSA/CMVSS
- (1B1) CODES/STANDARDS USA

WINNEBAGO		COPYRIGHT 2004 WINNEBAGO INDUSTRIES, INC.	
DFTR	ORIG. DATE		
CHKR	ALL DIMENSIONS ARE IN MILLIMETERS		
P.E.			
M.E.	FIRST USED	06 G33V	
DSNR			
UNSPECIFIED TOLERANCES ARE:		MATERIAL:	
WHOLE DIM (X)	: 1		
ONE-PLACE (X.X)	: 1.5		
TWO-PLACE (X.XX)	: 0.50		
ANGLE	: 1°		
THIRD ANGLE PROJECTION			
DO NOT SCALE DRAWING			
TITLE: WIRING DIAGRAM-BODY, 110V			
SHEET 1 OF 2	PART NO	152790	
REF:		1 7/29/2005	



- 7 SEE WIRING DIAGRAM-AUTO FOR ADDITIONAL INFORMATION.
- 6 WITHOUT (40D) WIRE CONNECTS INTO RCP-B INVVERTER.
- 5 SEE WIRING INSTL-TV/DVD FOR ADDITIONAL INFORMATION.
- 4 WIRE IN ROOF.
- 3 WIRE IN SIDEWALL.
- 2 WIRE BELOW FLOOR.
- 1 ALL OUTLETS DOWN STREAM AND INCLUDING THIS OUTLET ARE GROUND FAULT INTERUPT PROTECTED.

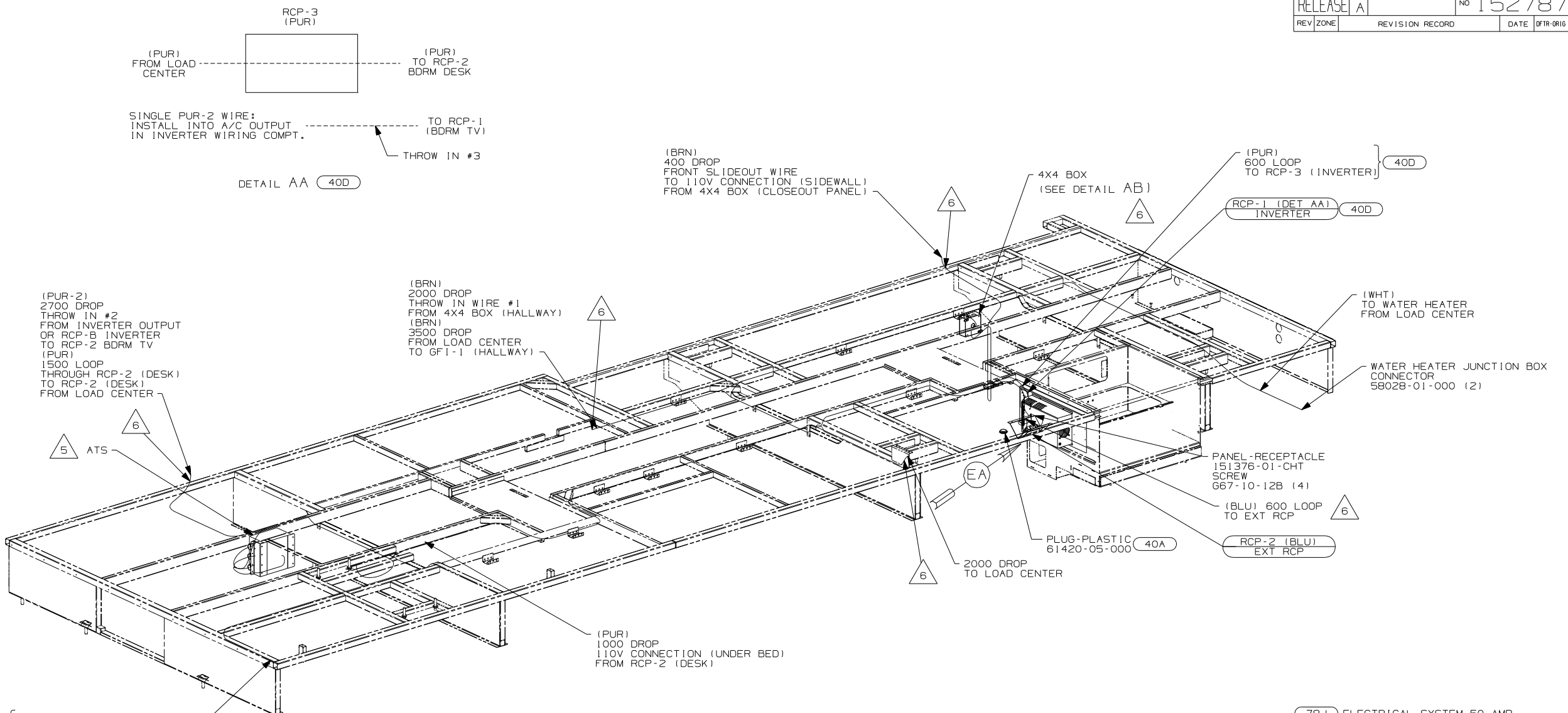
NOTES:

- (40D) INVERTER-DC/AC,600 WATT
- (40A) INVERTER-DC/AC WITHOUT
- (78J) ELECTRICAL SYSTEM-50 AMP
- (265) CODES/STANDARDS-CSA/CMVSS
- (1B1) CODES/STANDARDS USA

FIRST USED	06 G33V
TITLE	DO NOT SCALE DRAWING
WIRING DIAGRAM-BODY, 110V	
SHEET 2	PART NO 152790

DRAWING NO.	FEATURE
152787-01	-----
152787-02	(1B1) (12D)
152787-03	(1B1) (78J)
152787-04	(265) (12D)
152787-05	(265) (78J)

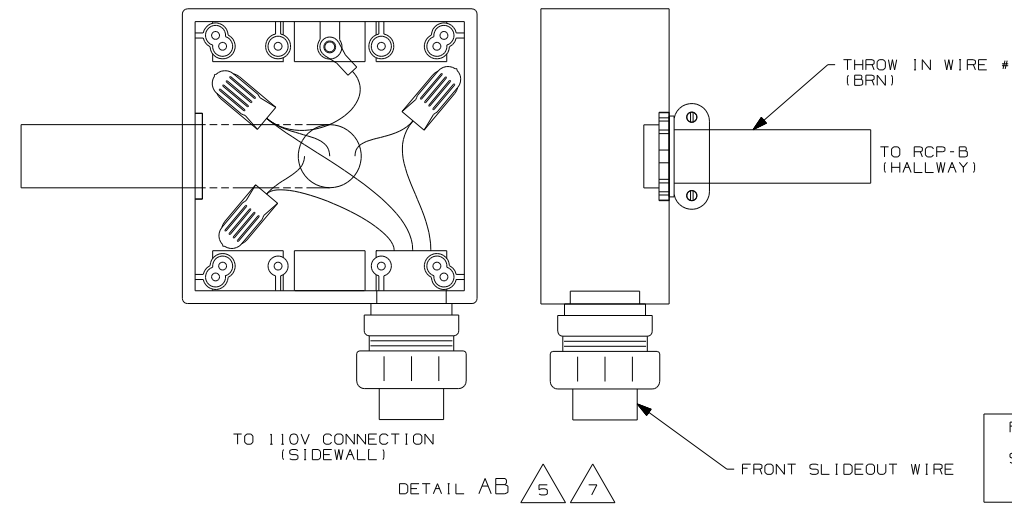
RELEASE	REV/DATE	DWG NO
	A	152787
REV ZONE	REVISION RECORD	DATE
		DTR-016



- 7 MOUNT 4X4 BOX ON CLOSEOUT PANEL OVER HOLE.
- 6 WIRE PASSES THROUGH FLOOR AT THIS POINT.
- 5 FOR ADDITIONAL INFORMATION SEE LOAD CENTER/ATS ASM.

- 4. FOR ADDITIONAL INFORMATION SEE WIRING DIAGRAM-BODY 110V.
- 3. ALL GROUND WIRE TO BE COVERED WITH TUBING 8041-012-000.
- 2. ALL 110V WIRES TO BE CLAMPED WITH CLAMP 10497-05-000 WITHIN 200mm OF OUTLET BOXES, USE SCREW G67-10-12B.
- 1. ALL WIRES TO BE SECURED WITH CLAMP 10495 OR 10497 OR WIRE TIE 8343 OR 108046 EVERY 600mm, USE SCREW G67-XX-XXX OR G56-XX-XXX AS APPROPRIATE FOR INSTALLATION.

NOTES:



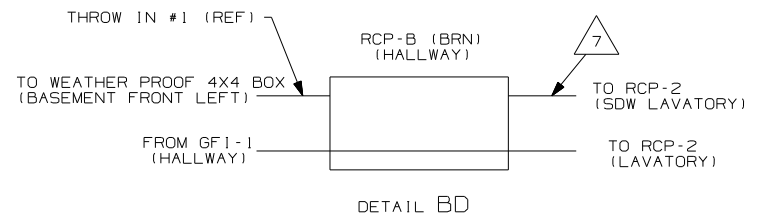
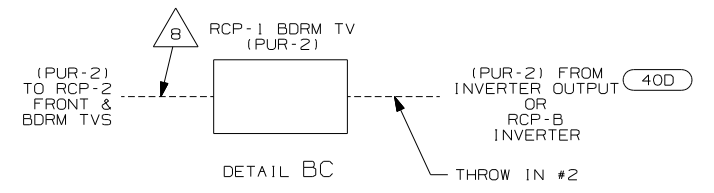
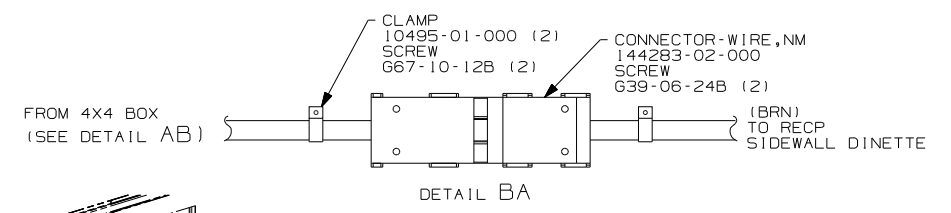
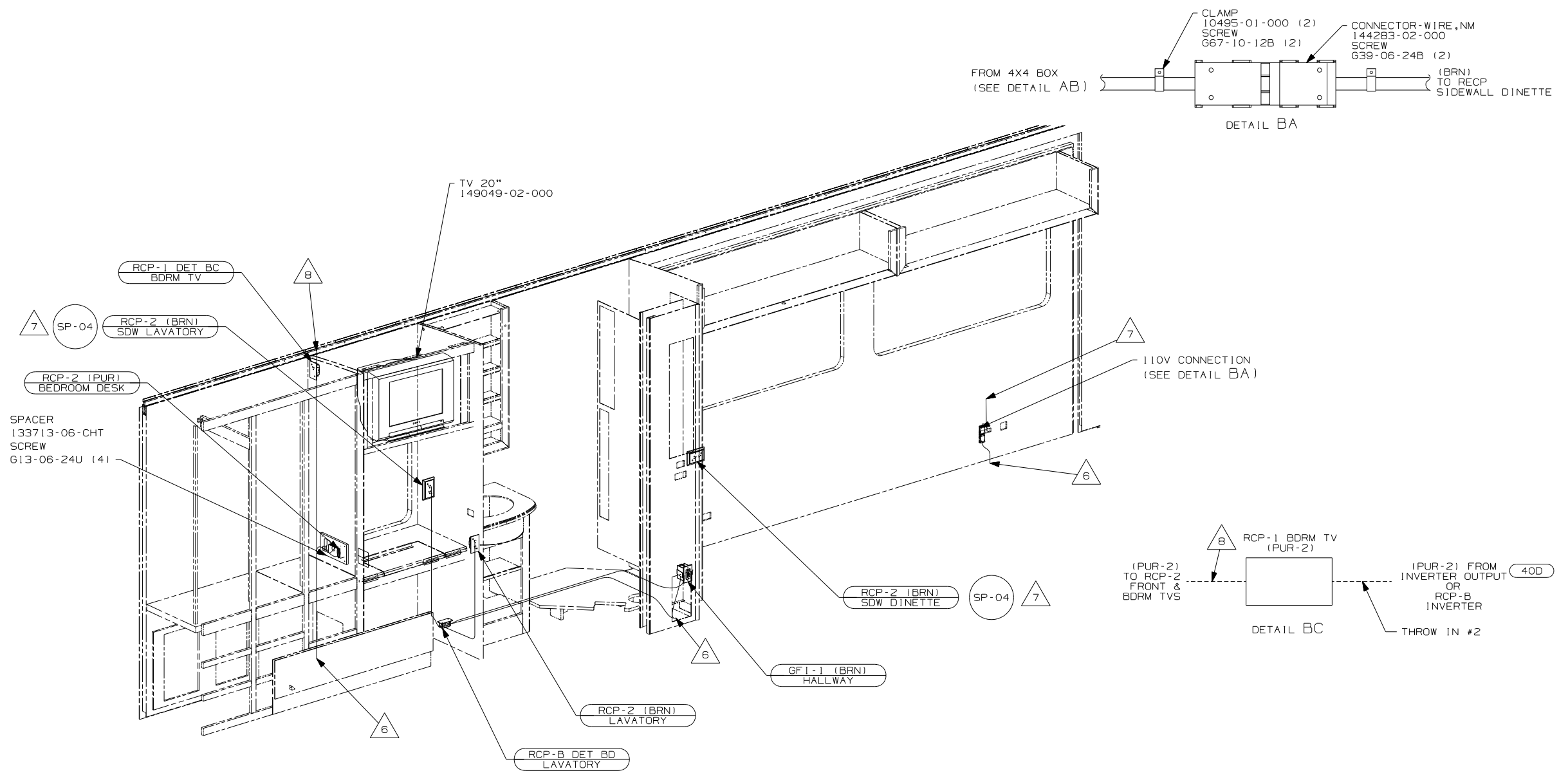
FOR ELECTRICAL TORQUE SPECIFICATIONS SEE DWG NO. 128783-01-000

FOR ELECTRICAL CALLOUTS SEE DWG NO. 121339-01-000

(78J)	ELECTRICAL SYSTEM-50 AMP
(40D)	INVERTER-DC/AC, 400 WATT
(40A)	ELECTRICAL SYSTEM-50 AMP
(265)	FEATURE NOTE
(1B1)	CODES/STANDARDS USA
(12D)	ELECTRICAL SYSTEM 30 AMP
(1B1) (265)	

WINNEBAGO INDUSTRIES, INC. COPYRIGHT 2006

DTR	ORIG. DATE
CHKR	ALL DIMENSIONS ARE IN MILLIMETERS
P.E.	
M.E.	FIRST USED
DSNR	06 G33V
UNSPECIFIED TOLERANCES ARE:	MATERIAL:
WHOLE DIM (X)	: 3
ONE-PLACE (X.X)	: 1.5
TWO-PLACE (X.XX)	: 0.50
ANGLE	: 1°
THIRD ANGLE PROJECTION	
DO NOT SCALE DRAWING	
TITLE: WIRING INSTL-BODY, 110V	
SHEET 1 of 5	PART NO 152787 REV
REF:	1 6/16/2006



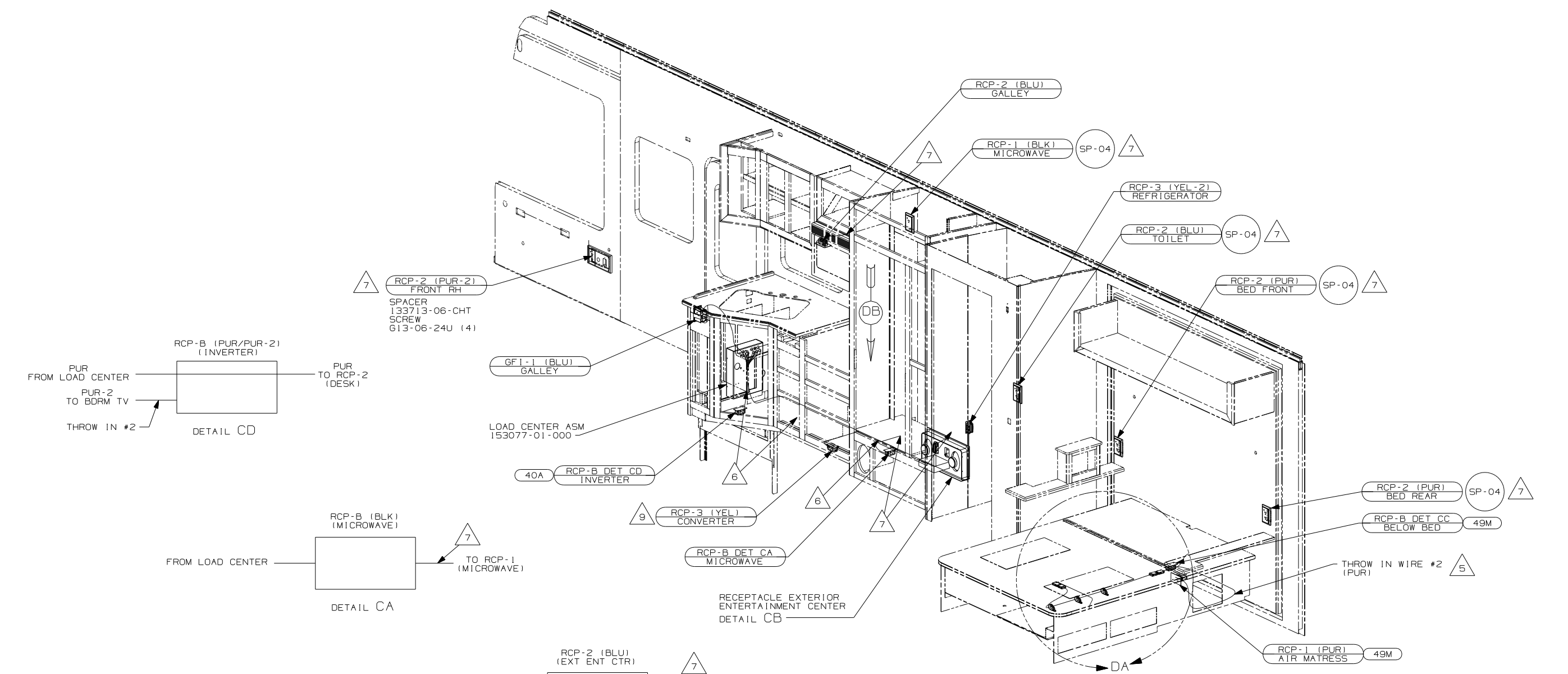
- NOTES:
- 9 DIMENSIONS ARE TO TOP OF MOUNTING SCREW ON BACK PLATE.
 - 8 WIRE IN ROOF
 - 7 WIRE IN SIDEWALL.
 - 6 WIRE PASSES THROUGH FLOOR AT THIS POINT.
 - 5 FOR ADDITIONAL INFORMATION SEE LOAD CENTER/ATS ASM.
 - 4. FOR ADDITIONAL INFORMATION SEE WIRING DIAGRAM-BODY 110V.
 - 3. ALL GROUND WIRE TO BE COVERED WITH TUBING 8041-012-000.
 - 2. ALL 110V WIRES TO BE CLAMPED WITH CLAMP 10497-05-000 WITHIN 200mm OF OUTLET BOXES, USE SCREW G67-10-12B.
 - 1. ALL WIRES TO BE SECURED WITH CLAMP 10495 OR 10497 OR WIRE TIE 8343 OR 108046 EVERY 600mm, USE SCREW G67-XX-XXX OR G56-XX-XXX AS APPROPRIATE FOR INSTALLATION.

- 40D INVERTER-DC/AC, 400 WATT
- 40A INVERTER-DC/AC WITHOUT
- 78J ELECTRICAL SYSTEM-50 AMP
- 265 CODES/STANDARDS-CSA/CMVSS
- 1B1 CODES/STANDARDS USA
- 12D ELECTRICAL SYSTEM 30 AMP

FOR ELECTRICAL TORQUE SPECIFICATIONS SEE DWG NO. 128783-01-000

FOR ELECTRICAL CALLOUTS SEE DWG NO. 121339-01-000

FIRST USED	06 G33V
TITLE	DO NOT SCALE DRAWING
TITLE	WIRING INSTL-BODY, 110V
SHEET 2	PART NO 152787 REV



- 9 SEE DETAIL DB FOR POSITIONING.
- 8 WIRE IN ROOF.
- 7 WIRE IN SIDEWALL.
- 6 WIRE PASSES THROUGH FLOOR AT THIS POINT.
- 5 FOR MORE INFORMATION SEE LOAD CENTER/ATS ASM.
- 4. FOR MORE INFORMATION SEE WIRING DIAGRAM-BODY,110.
- 3. ALL GROUND WIRE TO BE COVERED WITH TUBING 8041-02-000.
- 2. ALL 110V WIRES TO BE CLAMPED WITH CLAMP 10497-05-000 WITHIN 200mm OF OUTLET BOXES, USE SCREW G67-10-12B.
- 1. ALL WIRES TO BE SECURED WITH CLAMP 10495 OR 10497 OR WIRE TIE 8343 OR 108046 EVERY 600mm, USE SCREW G67-XX-XXX OR G56-XX-XXX AS APPROPRIATE FOR INSTALLATION.

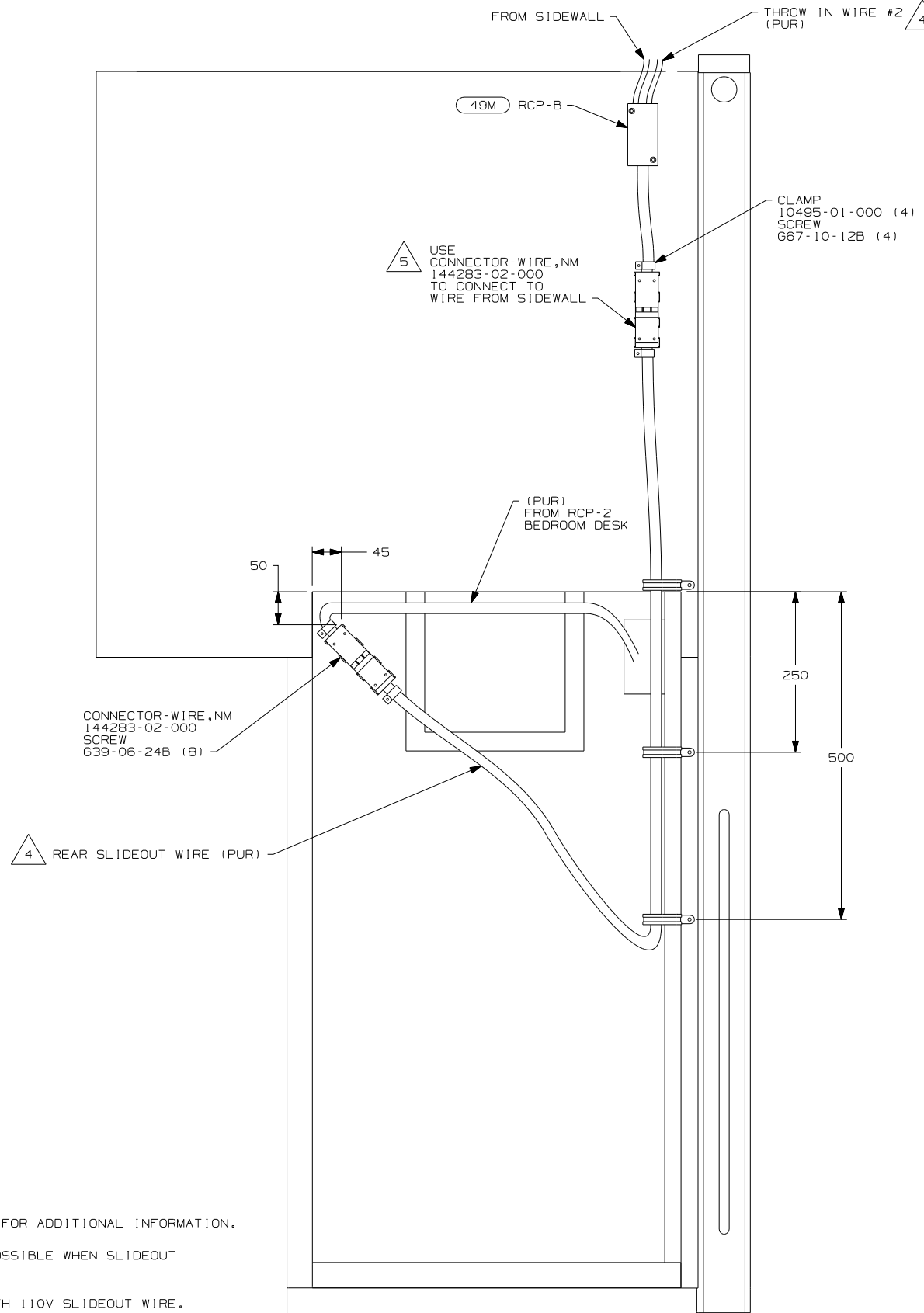
NOTES:

- 78J ELECTRICAL SYSTEM-50 AMP
- 49M SLEEP NUMBER BED-QUEEN SIZE
- 40A INVERTER-DC/AC WITHOUT
- 265 CODES/STANDARDS-CSA/CMVSS
- 1B1 CODES/STANDARDS USA
- 12D ELECTRICAL SYSTEM 30 AMP

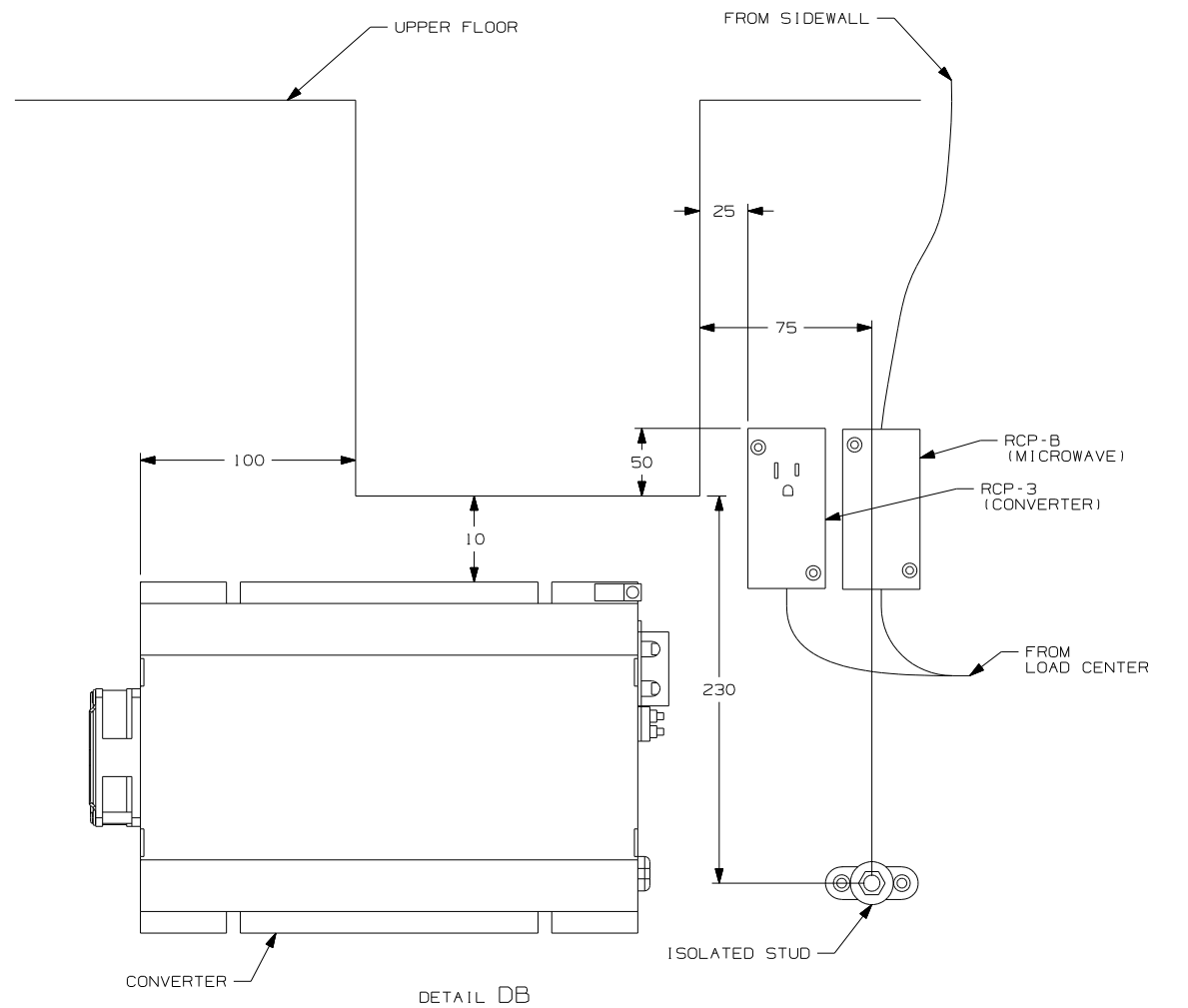
FIRST USED	06 G33V
DO NOT SCALE DRAWING	
TITLE:	WIRING INSTL-BODY,110V
SHEET 3	PART NO 152787 REV

FOR ELECTRICAL TORQUE SPECIFICATIONS SEE DWG NO. 128783-01-000

FOR ELECTRICAL CALLOUTS SEE DWG NO. 121339-01-000



DETAIL DA



DETAIL DB

- NOTES:
- 5 WITHOUT 49M.
 - 4 SEE LOAD CENTER/ATS ASM FOR ADDITIONAL INFORMATION.
 - 3 MAKE LOOP AS SMALL AS POSSIBLE WHEN SLIDEOUT IS COMPLETELY RETRACTED.
2. ROUTE 12V WIRE ALONG WITH 110V SLIDEOUT WIRE.
 1. WIRE MUST BE ROUTED THROUGH CLAMPS AS SHOWN.

- 78J ELECTRICAL SYSTEM-50 AMP
- 49M SLEEP NUMBER BED-QUEEN SIZE
- 265 CODES/STANDARDS-CSA/CMVSS
- 1B1 CODES/STANDARDS USA
- 12D ELECTRICAL SYSTEM 30 AMP

FIRST USED	06 G33V
TITLE	DO NOT SCALE DRAWING
	WIRING INSTL-BODY, 110V
SHEET 4	PART NO 152787 REV

FOR ELECTRICAL TORQUE SPECIFICATIONS SEE DWG NO. 128783-01-000

FOR ELECTRICAL CALLOUTS SEE DWG NO. 121339-01-000

8

7

6

5

4

3

2

1

D

D

C

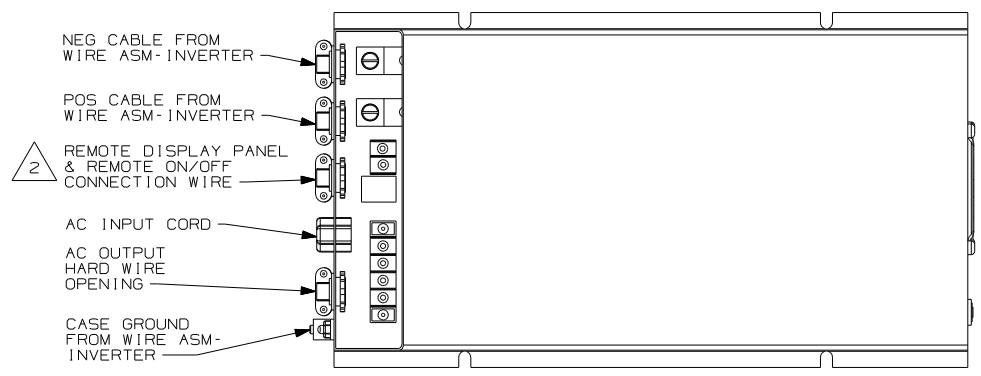
C

B

B

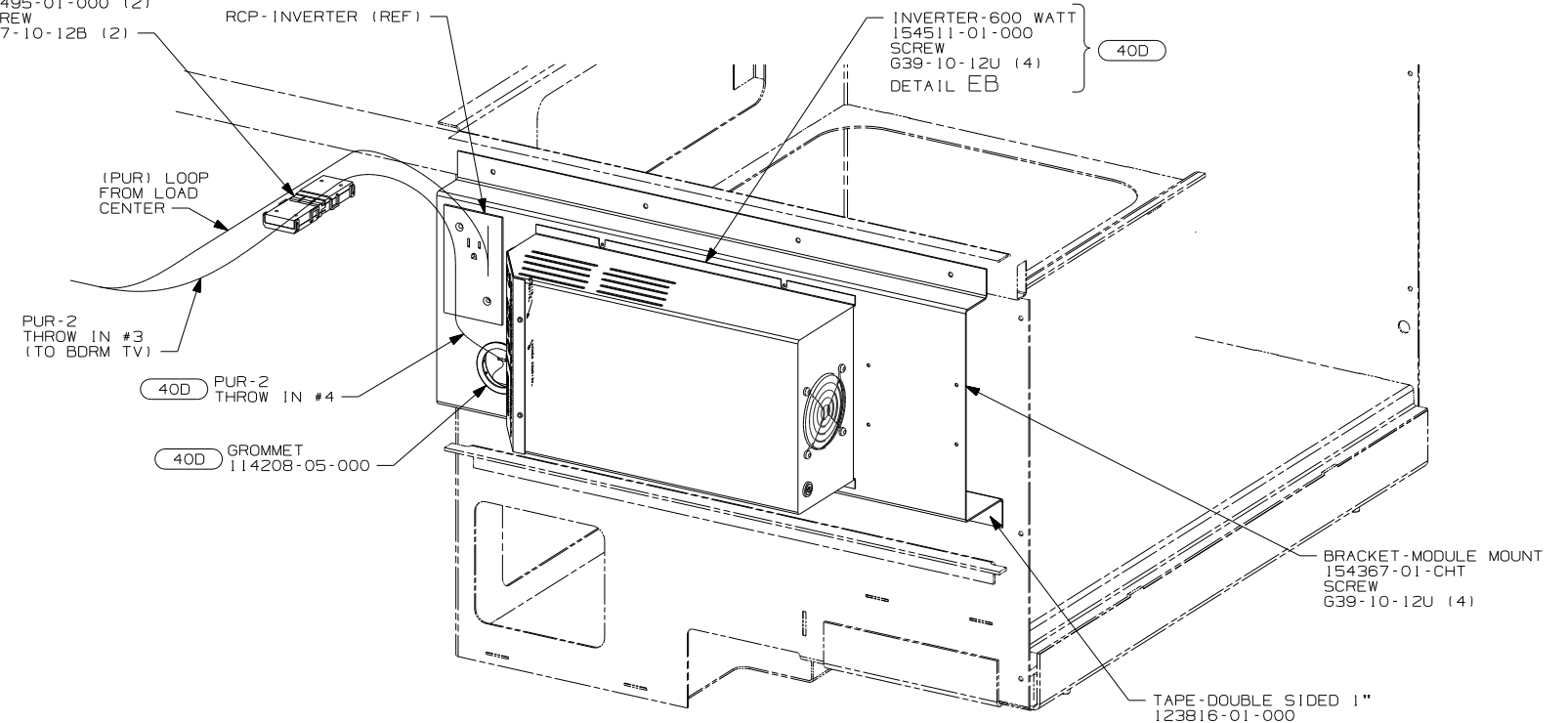
A

A



DETAIL EB

- 1 CONNECTOR-WIRE,NM
- SCREW
- G39-06-24B (8)
- CLAMP
- 10495-01-000 (2)
- SCREW
- G67-10-12B (2)



VIEW EA

- 2 WB FROM WIRE ASM-COACH TO PUR WIRE FROM INVERTER
- 1 FOR ADDITIONAL INFORMATION SEE LOAD CENTER/ATS ASM.

NOTES:

FOR ELECTRICAL TORQUE SPECIFICATIONS SEE DWG NO. 128783-01-000

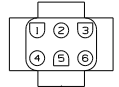
X-X FOR ELECTRICAL CALLOUTS SEE DWG NO. 121339-01-000

FIRST USED	06 G33V
DO NOT SCALE DRAWING	
TITLE:	WIRING INSTL-BODY, 110V
SHEET 5	PART NO 152787 REV

PA 14 WHT
 JN 14 WHT WE 14 WHT
 EED 12 WHT FM 14 WHT
 MP 16 WHT MS 14 WHT
 MP-1 18 WX PM 14 WHT



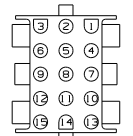
CONNECTS TO
 WIRE ASM SIDEWALL
 (SHT 4, C-7)
 LOCATED BEHIND
 SOFA



1-
 2-
 3-JG 14 YEL
 4-JN 14 WHT
 5-MM 14 YEL
 6-MS 14 WHT

JG MM JN MS

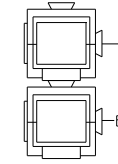
CONNECTS TO
 WIRE ASM
 ELECTRICAL BOX
 (SHT 5, C-4)
 LOCATED IN
 STEP BOX



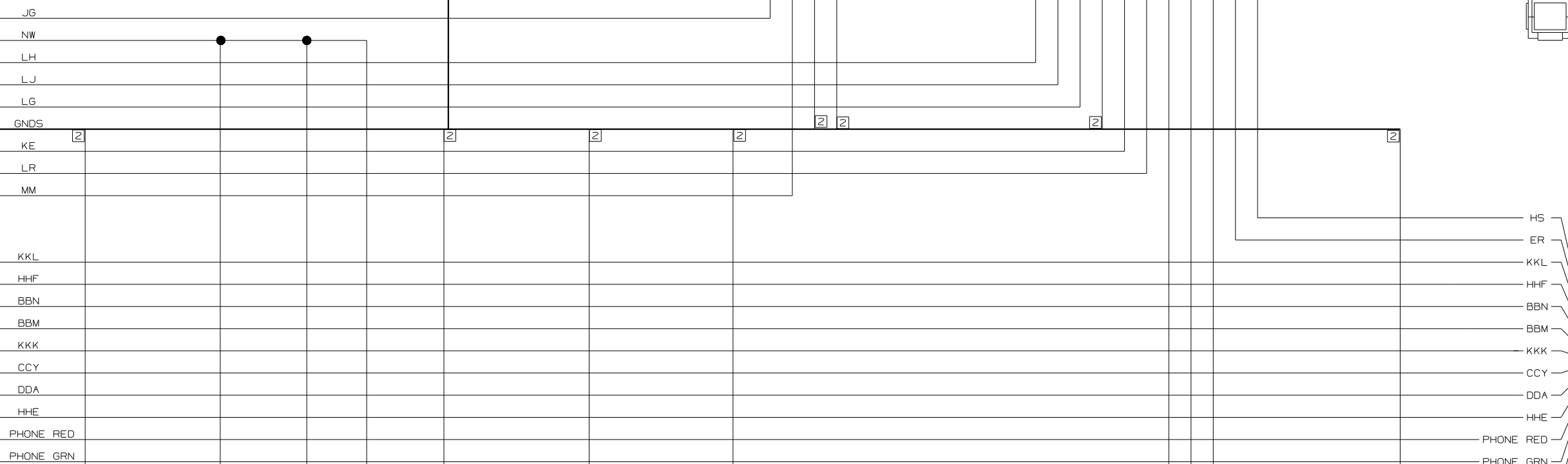
1-
 2- 9-WH 14 YEL
 3-ER 16 YEL 10-KE 14 YEL
 4- 11-LH 16 YEL
 5-LG 16 YEL 12-
 6-FM 14 WHT 13-LJ 16 YEL
 7-LR 14 YEL 14-FFD 12 YEL
 8-HS 16 YEL 15-KA 12 YEL

LH LJ LG FM KE LR WH KA FFD ER HS

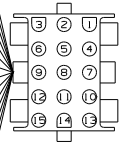
CONNECTS TO
 WIRE ASM
 ELECTRICAL BOX
 (SHT 5, D-2)
 LOCATED IN
 STEP BOX



J-6 BLK-J ISOLATED STUD
 BY-8 BLK-BY PASS THROUGH STUD



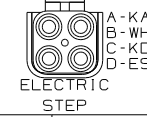
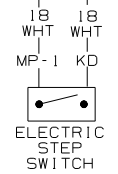
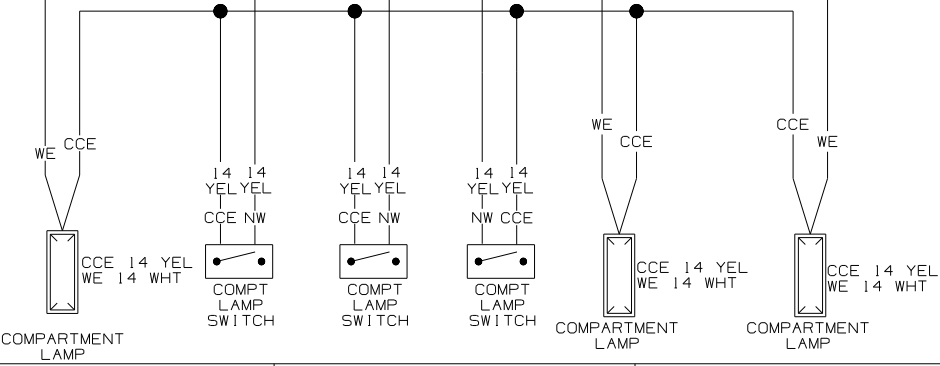
CONNECTS TO
 WIRE ASM-COACH
 (SHT 2, C-32)
 LOCATED BELOW
 GALLEY CABTS



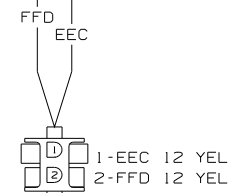
1-BBM 16 YEL
 2-BBN 16 YEL
 3-DDA 16 YEL
 4-CCY 16 YEL
 5-KKK 16 YEL
 6-HHE 16 YEL
 7-HHF 16 YEL
 8-KKL 16 YEL
 9-ER 16 YEL
 10-ES 16 YEL
 11-HS 16 YEL
 12-PHONE RED 16 YEL
 13-PHONE GRN 16 YEL
 14-WH 14 YEL
 15-

WIRING DIAGRAM-CHASSIS
 (WIRE ASM-152875 REV A)

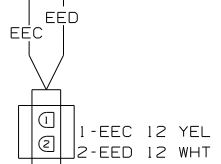
WINNEBAGO		COPYRIGHT 2004 WINNEBAGO INDUSTRIES, INC.
DFTR	ORIG. DATE	
CHNR	ALL DIMENSIONS ARE IN MILLIMETERS	
P.E.		
M.E.	FIRST USED	06 G33V
DSNR		
UNSPECIFIED TOLERANCES ARE:		MATERIAL:
WHOLE DIM (XX)	:	
ONE-PLACE (X.X)	:	
TWO-PLACE (X.XX)	:	
ANGLE	:	
THIRD ANGLE PROJECTION		
DO NOT SCALE DRAWING		
TITLE: WIRING DIAGRAM-BODY, 12V		
SHEET 1 of 5	PART NO	152791
REF:	1	7/25/2005



A-KA 12 YEL
 B-WH 14 YEL
 C-KD 18 WHT
 D-ES 16 YEL



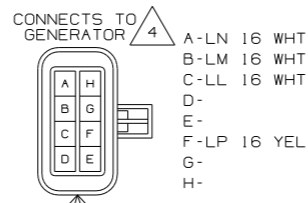
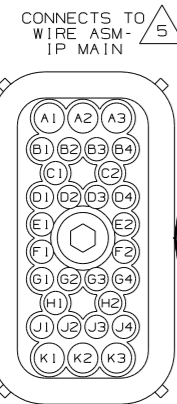
CONNECTS TO
 WIRE ASM-COACH
 (SHT 2, A-12)
 LOCATED BELOW
 GALLEY CABINETS



CONNECTS TO
 WIRE ASM-SOFA,
 REST EASY
 (SHT 5, D-8)
 LOCATED BEHIND SOFA

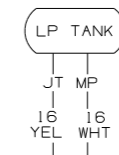
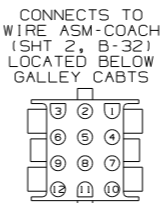
D
C
B
A

- A1-WP 10 YEL
- A2-KS 14 YEL
- A3-RA 14 YEL
- B1-DJ 16 YEL
- B2-DK 16 WHT
- B3-DL 16 YEL
- B4-DM 16 WHT
- C1-KE 14 YEL
- C2-RB 14 YEL
- D1-LL 16 WHT
- D2-LM 16 WHT
- D3-LN 16 WHT
- D4-LP 16 YEL
- E1-MM 14 YEL
- E2-BBN 16 YEL
- F1-BBM 16 YEL
- F2-KKK 16 YEL
- G1-DDA 16 YEL
- G2-CCY 16 YEL
- G3-LR 14 YEL
- G4-NA 14 YEL
- H1-KU 14 YEL
- H2-NH 14 YEL
- J1-AAT 16 YEL
- J2-AAU 16 WHT
- J3-AAW 16 YEL
- J4-AAX 16 WHT
- K1-HHE 16 YEL
- K2-HHF 16 YEL
- K3-KKL 16 YEL



- A-LN 16 WHT
- B-LM 16 WHT
- C-LL 16 WHT
- D-
- E-
- F-LP 16 YEL
- G-
- H-

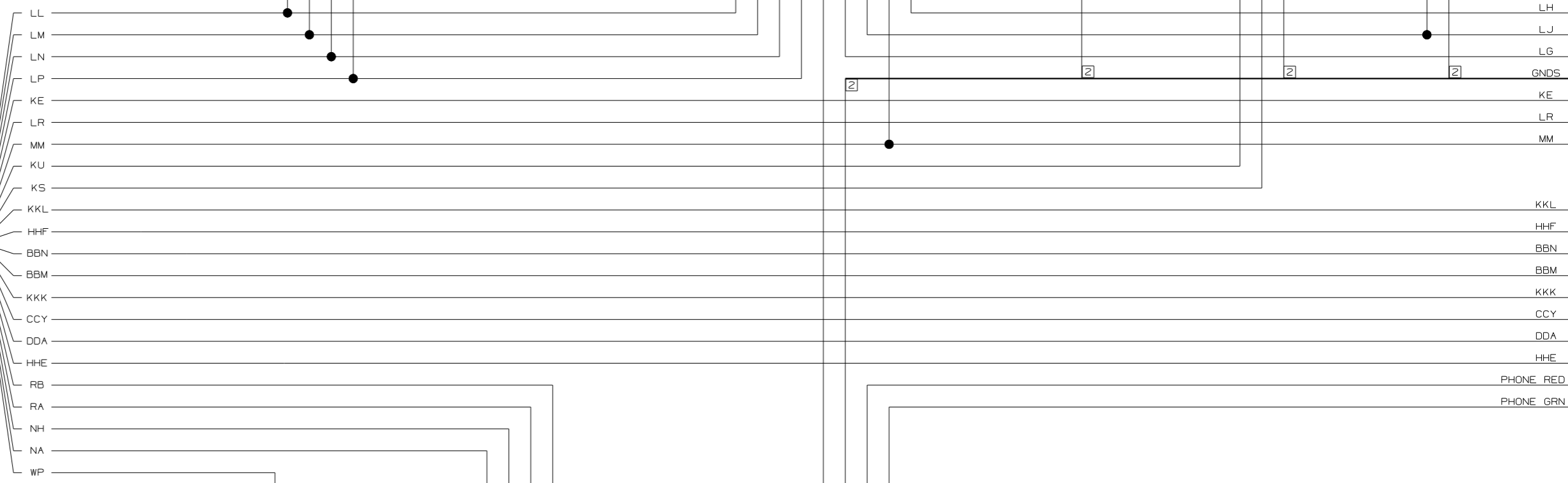
- 1-JG 14 YEL
- 2-JT 16 YEL
- 3-LG 16 YEL
- 4-LH 16 YEL
- 5-LJ 16 YEL
- 6-LL 16 WHT
- 7-LM 16 WHT
- 8-LN 16 WHT
- 9-LP 16 YEL
- 10-MM 14 YEL
- 11-NM 14 YEL
- 12-NW 14 YEL



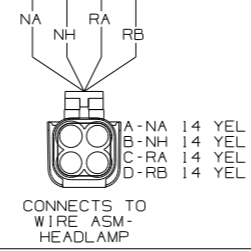
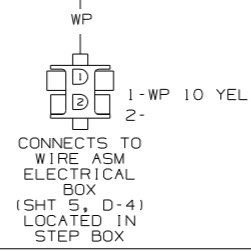
- 1-PA 14 WHT
- 2-KS 14 YEL
- 3-
- 4-KU 14 YEL



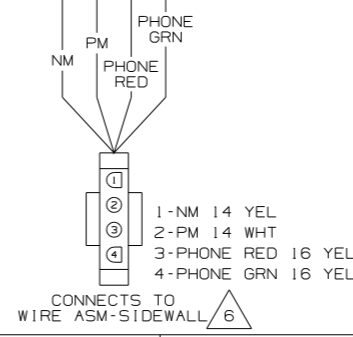
- 1-LJ 16 YEL
- 2-FM 14 WHT



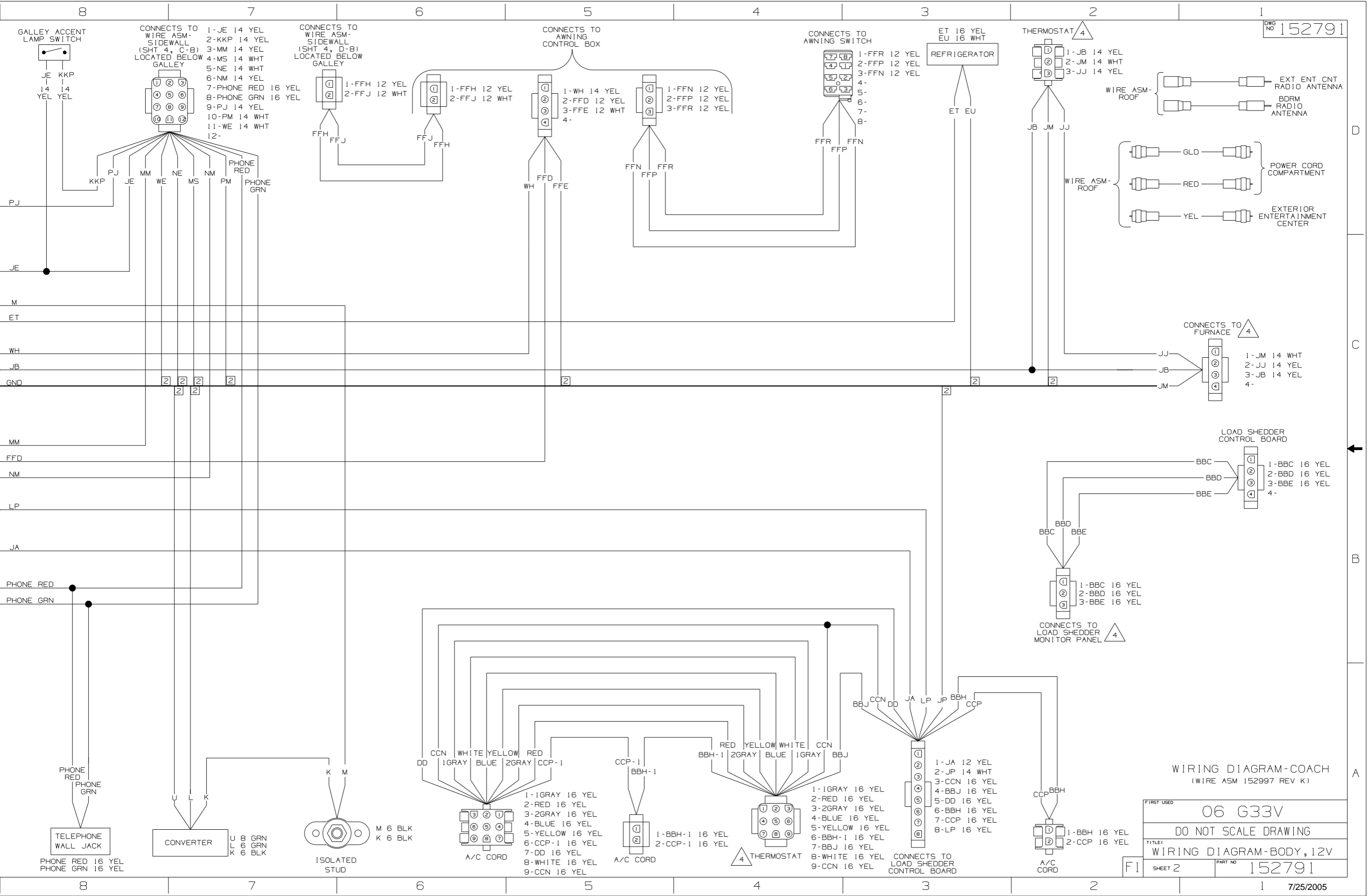
- 7 FOR PRODUCTION PURPOSES ONLY.
 - 6 NOT USED ON THIS UNIT.
 - 5 SEE WIRING DIAGRAM-AUTO FOR ADDITIONAL INFORMATION.
 - 4 SEE MANUFACTURERS DIAGRAM FOR ADDITIONAL INFORMATION.
 - 3 GROUNDS ARE SHOWN AS A SINGLE LINE FOR EASE IN TRACING. EACH GROUND CIRCUIT IS SEPERATE IN THE HARNESS.
 - 2 NOT A SPLICE POINT. INDICATES ENTRY INTO WIRING HARNESS.
- NOTES:
1. SPLICES ARE THEORETICAL AND MAY DIFFER IN THE HARNESS.



- A-NA 14 YEL
- B-NH 14 YEL
- C-RA 14 YEL
- D-RB 14 YEL

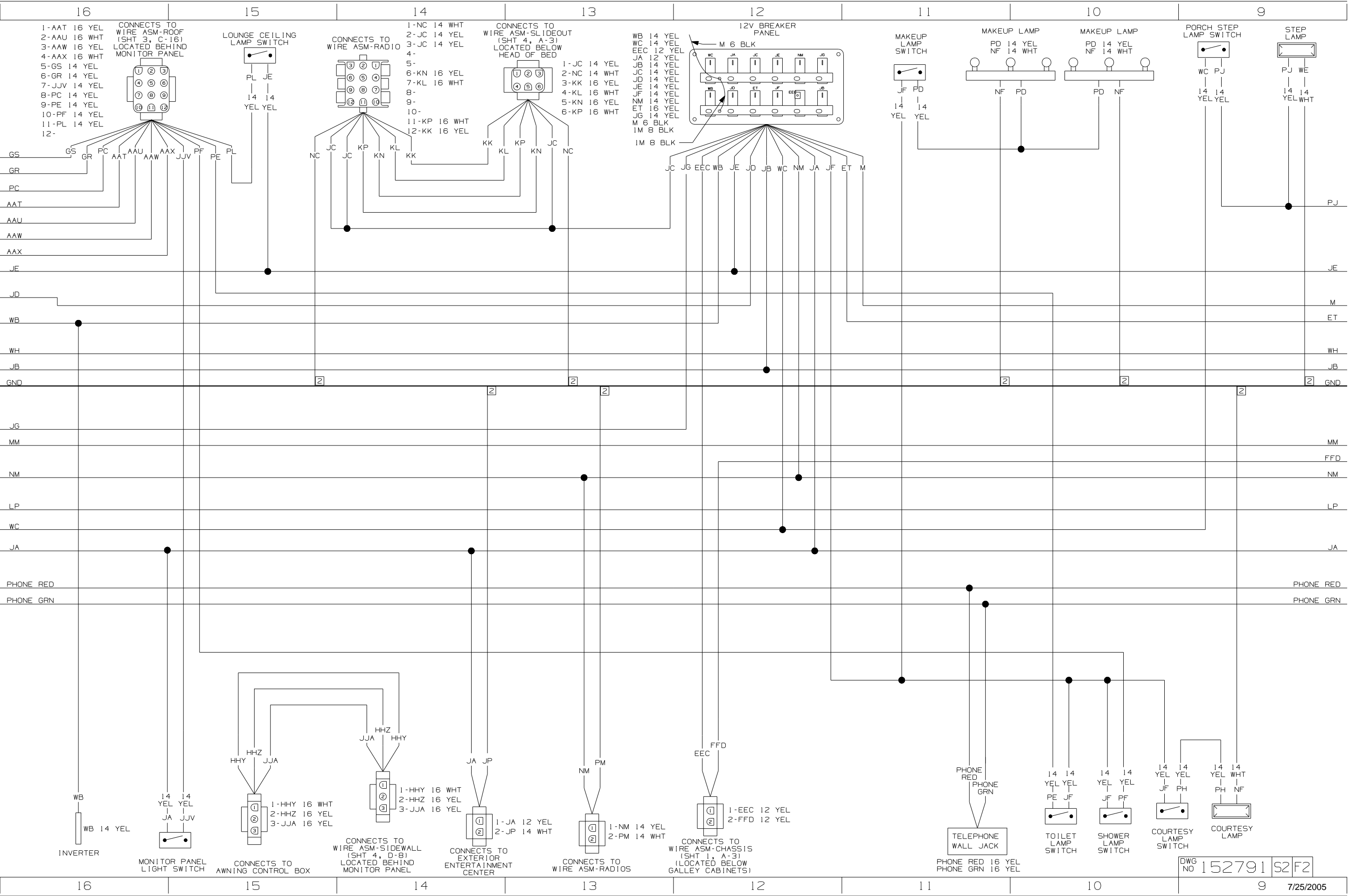


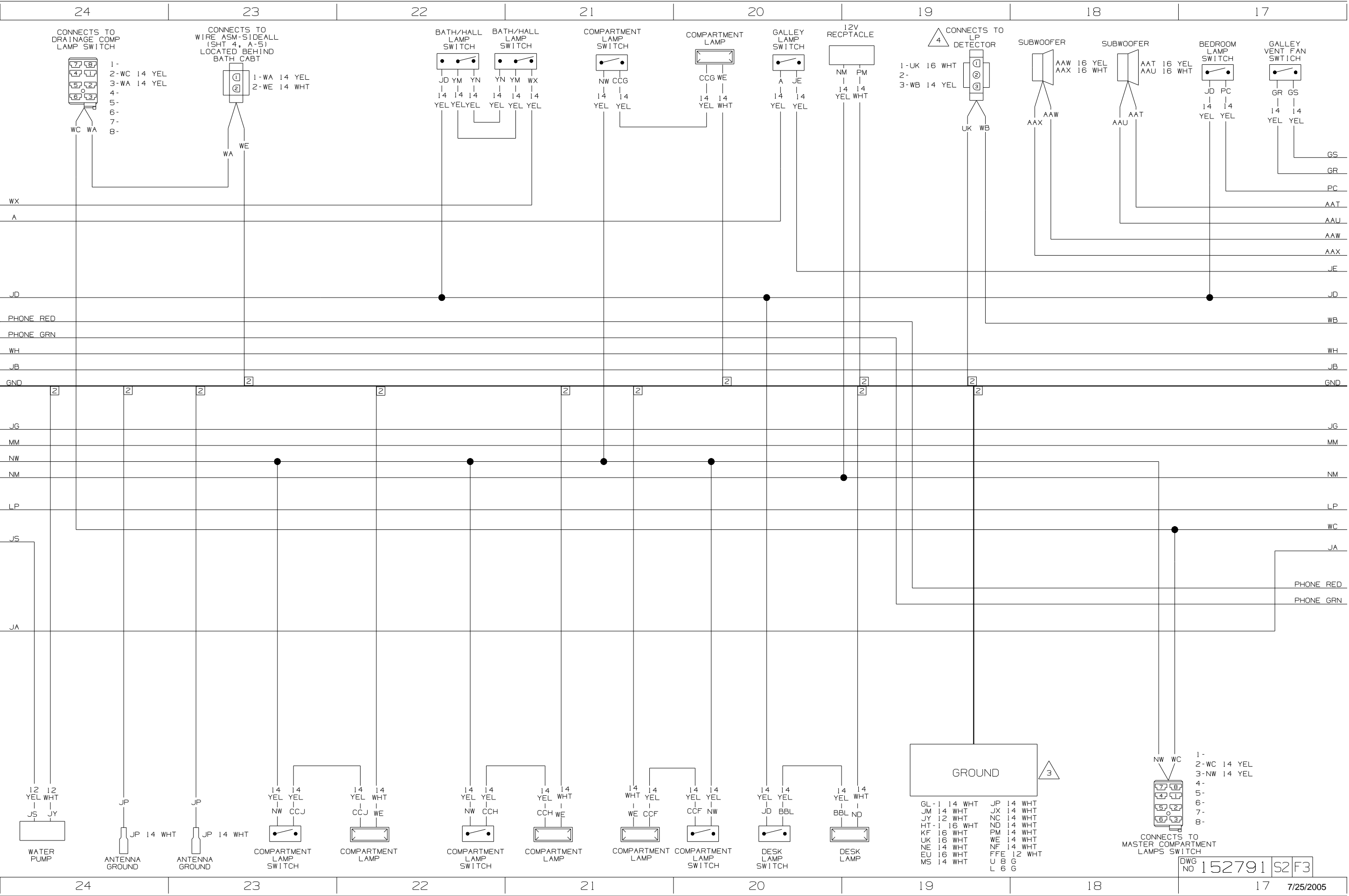
- 1-NM 14 YEL
- 2-PM 14 WHT
- 3-PHONE RED 16 YEL
- 4-PHONE GRN 16 YEL

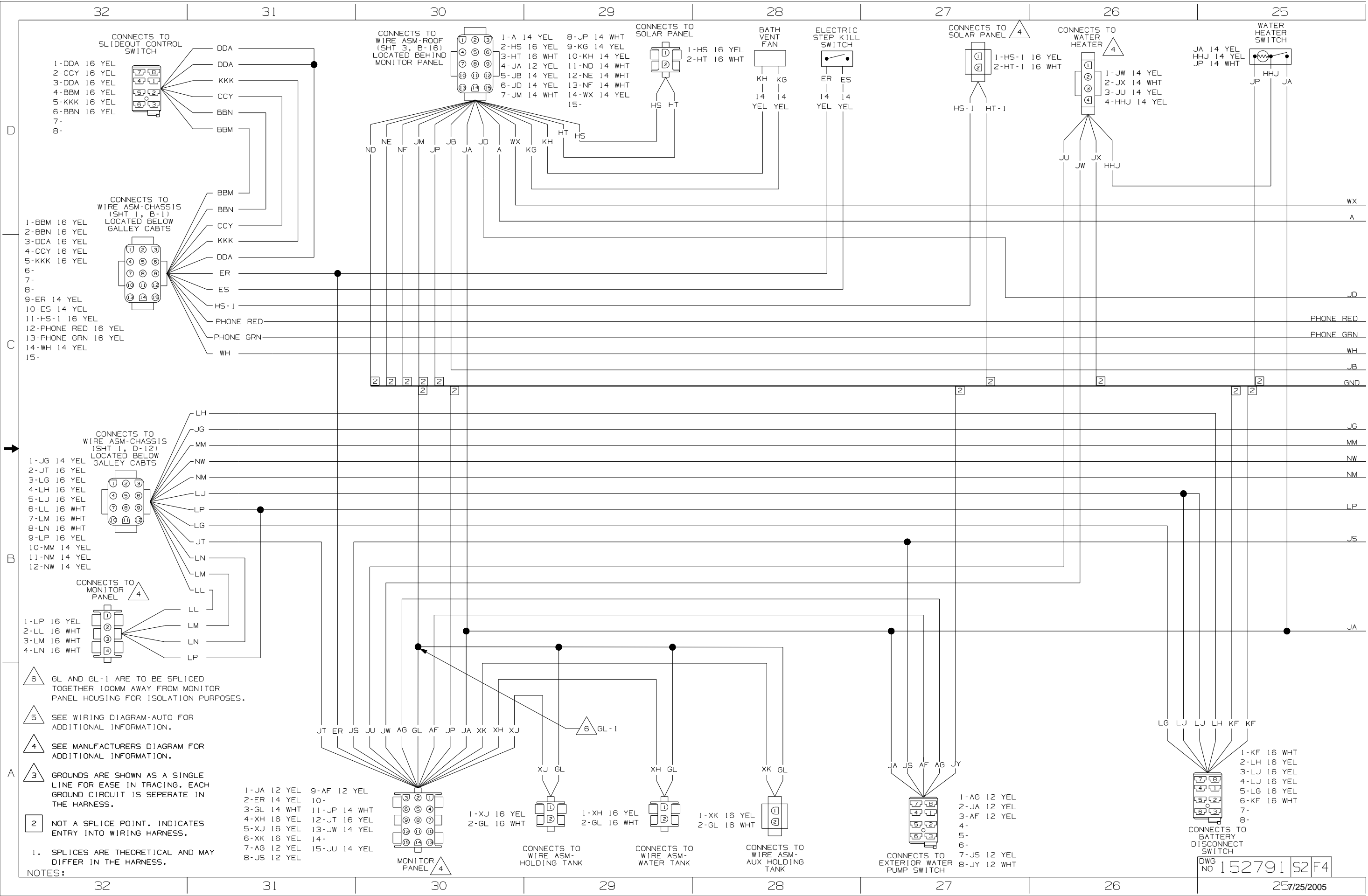


WIRING DIAGRAM-COACH (WIRE ASM 152997 REV K)

FIRST USED	06 G33V
DO NOT SCALE DRAWING	
TITLE	WIRING DIAGRAM-BODY, 12V
SHEET 2	PART NO 152791







CONNECTS TO SLIDEOUT CONTROL SWITCH

1-DA 16 YEL
2-CCY 16 YEL
3-DDA 16 YEL
4-BBM 16 YEL
5-KKK 16 YEL
6-BBN 16 YEL
7-
8-

CONNECTS TO WIRE ASM-CHASSIS (SHT 1, B-1) LOCATED BELOW GALLEY CABTS

1-BBM 16 YEL
2-BBN 16 YEL
3-DDA 16 YEL
4-CCY 16 YEL
5-KKK 16 YEL
6-
7-
8-
9-ER 14 YEL
10-ES 14 YEL
11-HS-1 16 YEL
12-PHONE RED 16 YEL
13-PHONE GRN 16 YEL
14-WH 14 YEL
15-

CONNECTS TO WIRE ASM-CHASSIS (SHT 1, D-12) LOCATED BELOW GALLEY CABTS

1-JG 14 YEL
2-JT 16 YEL
3-LG 16 YEL
4-LH 16 YEL
5-LJ 16 YEL
6-LL 16 WHT
7-LM 16 WHT
8-LN 16 WHT
9-LP 16 YEL
10-MM 14 YEL
11-NM 14 YEL
12-NW 14 YEL

CONNECTS TO MONITOR PANEL

1-LP 16 YEL
2-LL 16 WHT
3-LM 16 WHT
4-LN 16 WHT

NOTES:

1. SPLICES ARE THEORETICAL AND MAY DIFFER IN THE HARNESS.

2. NOT A SPLICE POINT. INDICATES ENTRY INTO WIRING HARNESS.

3. GROUNDS ARE SHOWN AS A SINGLE LINE FOR EASE IN TRACING. EACH GROUND CIRCUIT IS SEPERATE IN THE HARNESS.

4. SEE MANUFACTURERS DIAGRAM FOR ADDITIONAL INFORMATION.

5. SEE WIRING DIAGRAM-AUTO FOR ADDITIONAL INFORMATION.

6. GL AND GL-1 ARE TO BE SPLICED TOGETHER 100MM AWAY FROM MONITOR PANEL HOUSING FOR ISOLATION PURPOSES.

CONNECTS TO WIRE ASM-ROOF (SHT 3, B-16) LOCATED BEHIND MONITOR PANEL

1-A 14 YEL
2-HS 16 YEL
3-HT 16 WHT
4-JA 12 YEL
5-JB 14 YEL
6-JD 14 YEL
7-JM 14 WHT
8-JP 14 WHT
9-KG 14 YEL
10-KH 14 YEL
11-ND 14 WHT
12-NE 14 WHT
13-NF 14 WHT
14-WX 14 YEL
15-

CONNECTS TO SOLAR PANEL

1-HS 16 YEL
2-HT 16 WHT

BATH VENT FAN

KH KG
14 14
YEL YEL

ELECTRIC STEP KILL SWITCH

ER ES
14 14
YEL YEL

CONNECTS TO SOLAR PANEL

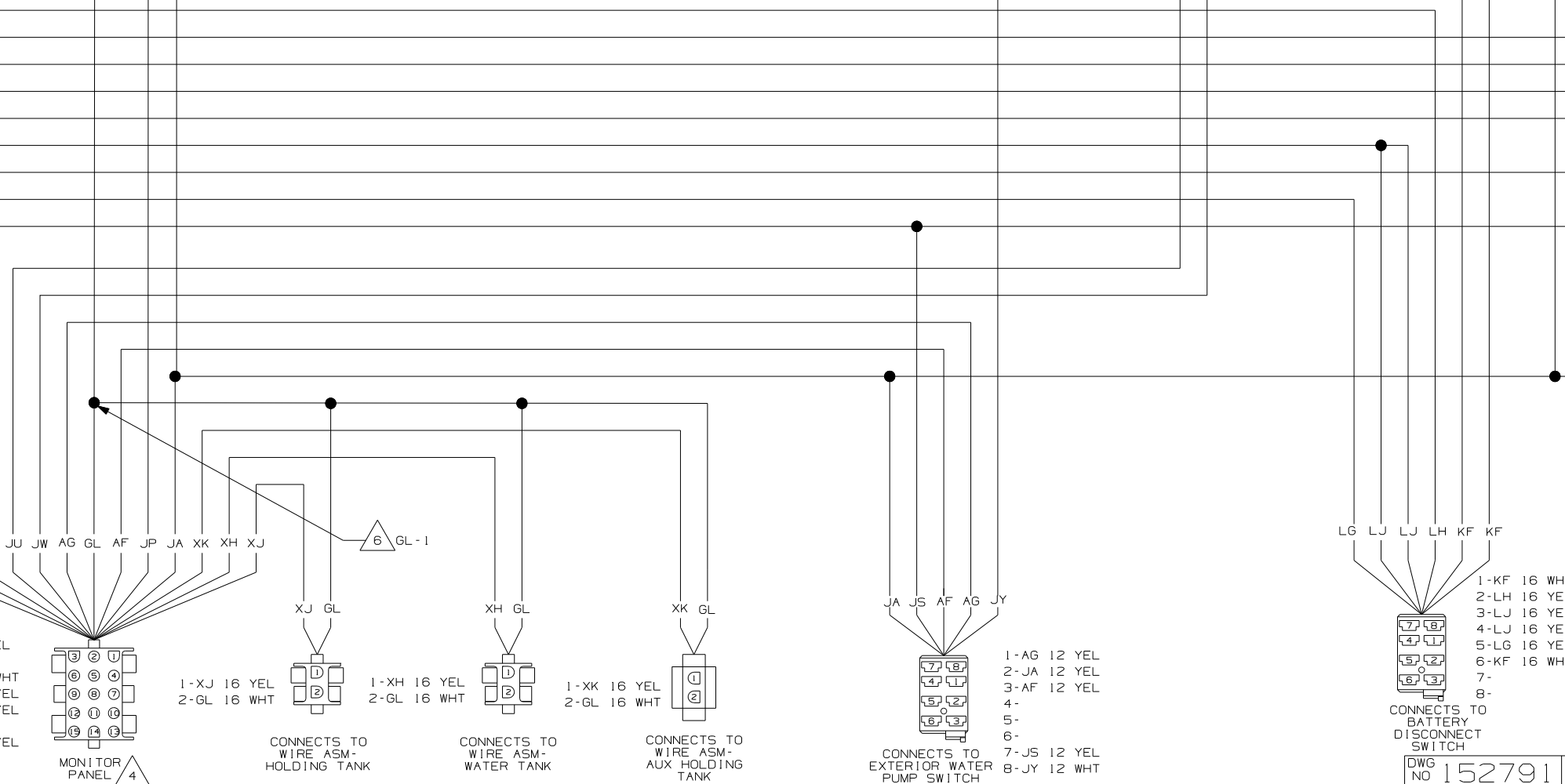
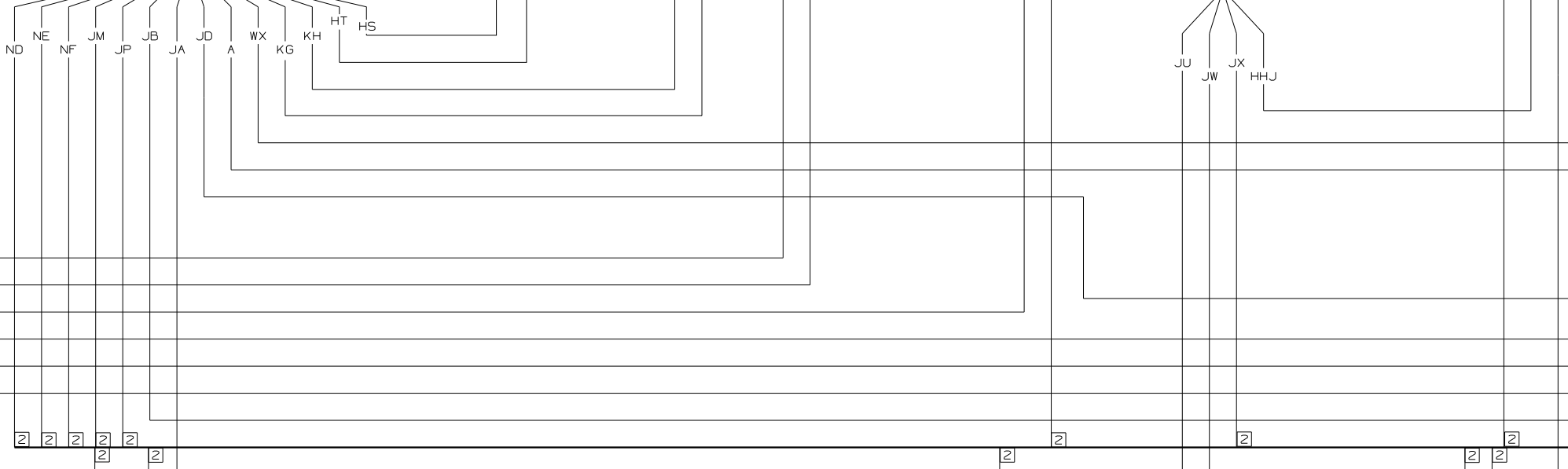
1-HS-1 16 YEL
2-HT-1 16 WHT

CONNECTS TO WATER HEATER

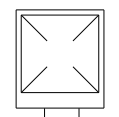
1-JW 14 YEL
2-JX 14 WHT
3-JU 14 YEL
4-HHJ 14 YEL

WATER HEATER SWITCH

JA 14 YEL
HHJ 14 YEL
JP 14 WHT

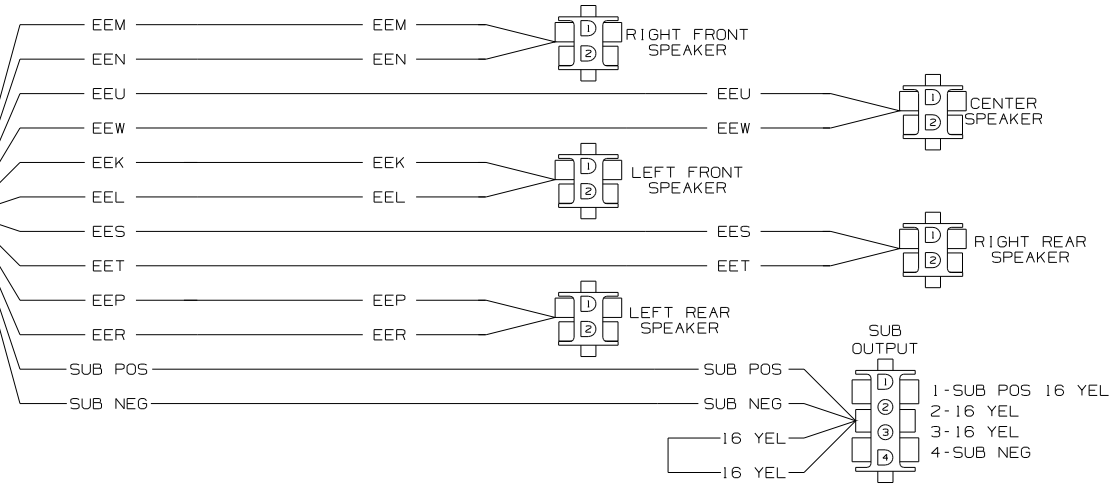


SHOWER
CEILING
LAMP



PF NF
14 14
YEL WHT

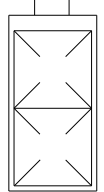
- 1-EEP 16 YEL
- 2-EES 16 YEL
- 3-EEK 16 YEL
- 4-EEM 16 YEL
- 5-SUB POS 16 YEL
- 6-EEU 16 YEL
- 7-
- 8-EER 16 WHT
- 9-EET 16 WHT
- 10-EEL 16 WHT
- 11-EEN 16 WHT
- 12-SUB NEG 14 WHT
- 13-EEW 16 WHT
- 14-



PF
NF

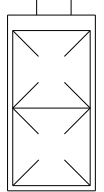
ND
JD
WX
A
NE

14 14
WHT YEL
NE A



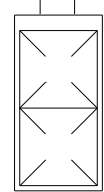
GALLEY
CEILING
LAMP

14 14
WHT YEL
NE A



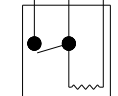
GALLEY
CEILING
LAMP

14 14
YEL WHT
WX ND



BATH/HALL
CEILING
LAMP

14 14 14
YEL YEL WHT
JD PG ND



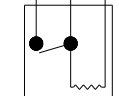
WARDROBE
LAMP

14 14
YEL YEL
PG JD



WARDROBE
LAMP
SWITCH

14 14 14
YEL YEL WHT
JD PG ND

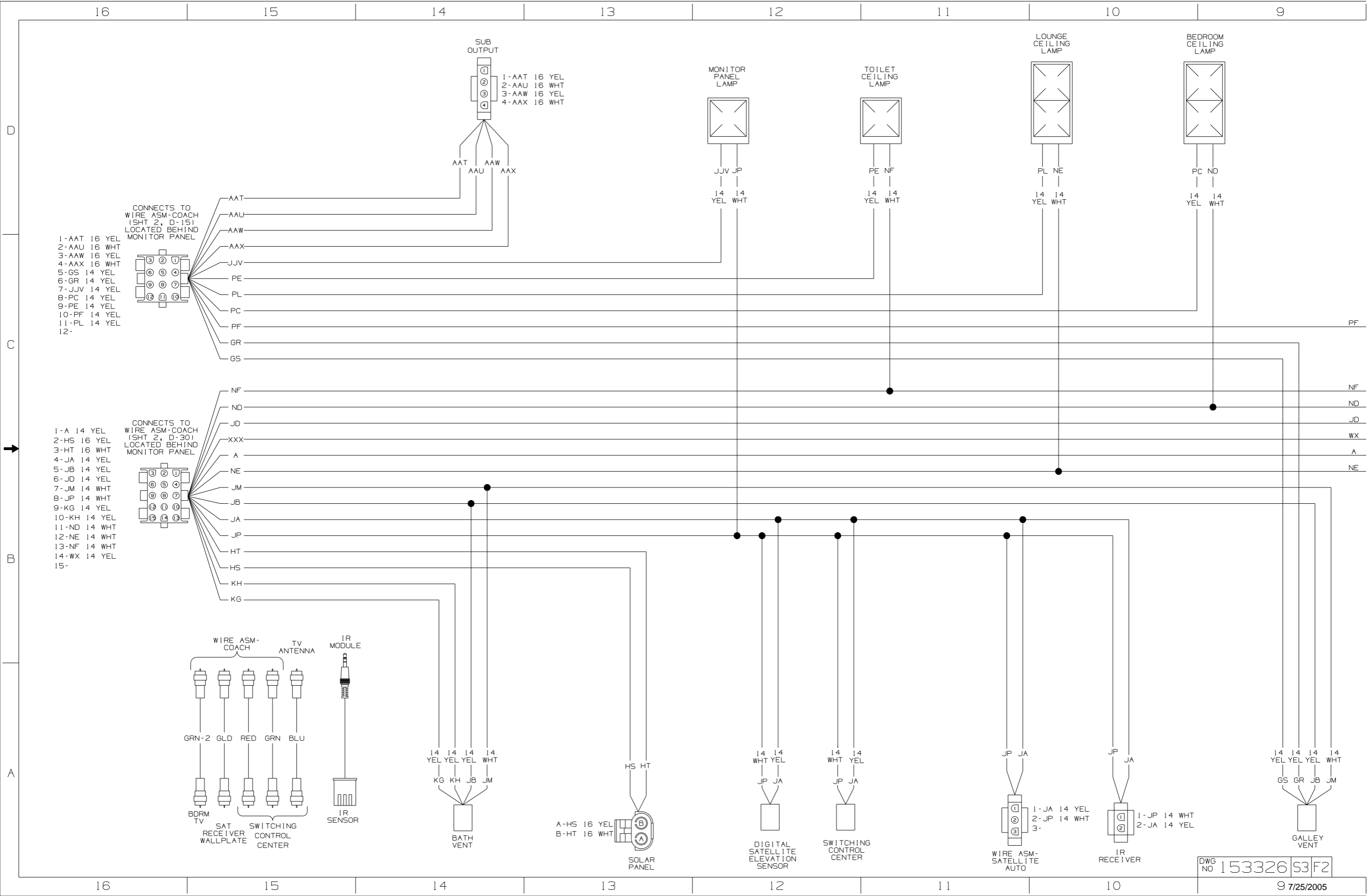


WARDROBE
LAMP

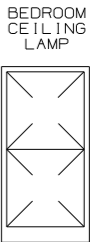
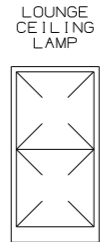
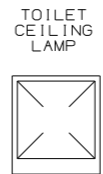
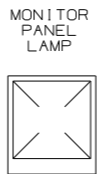
WIRING DIAGRAM-ROOF
(WIRE ASM 153154 REV G)

FIRST USED	06 F33V	
TITLE	DO NOT SCALE DRAWING	
	WIRING DIAGRAM-BODY, 12V	
F1 SHEET 3	PART NO	153326

D
C
B
A



SUB OUTPUT
 1-AAT 16 YEL
 2-AAU 16 WHT
 3-AAW 16 YEL
 4-AAX 16 WHT

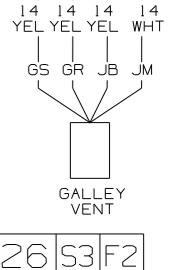
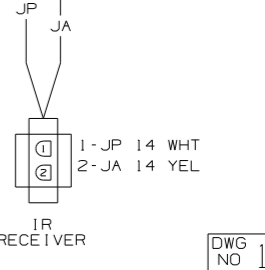
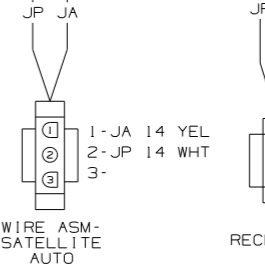
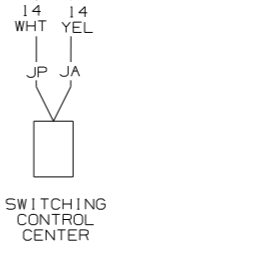
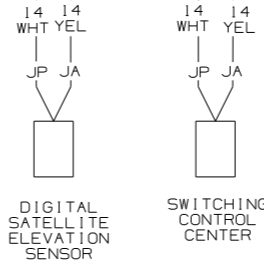
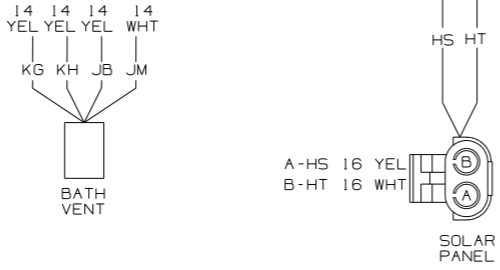
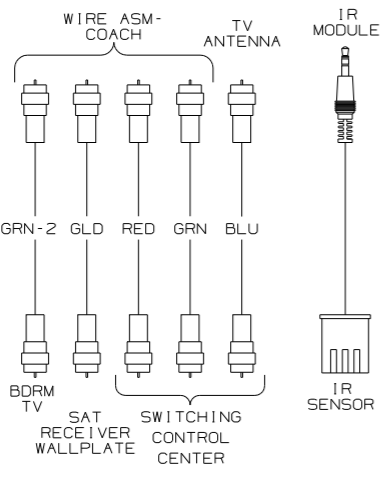


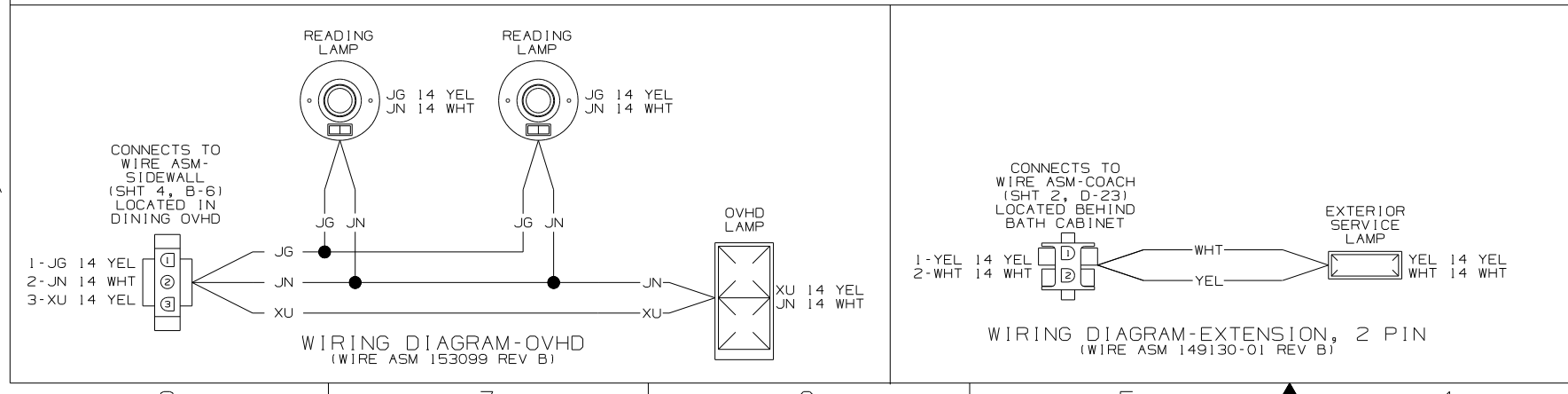
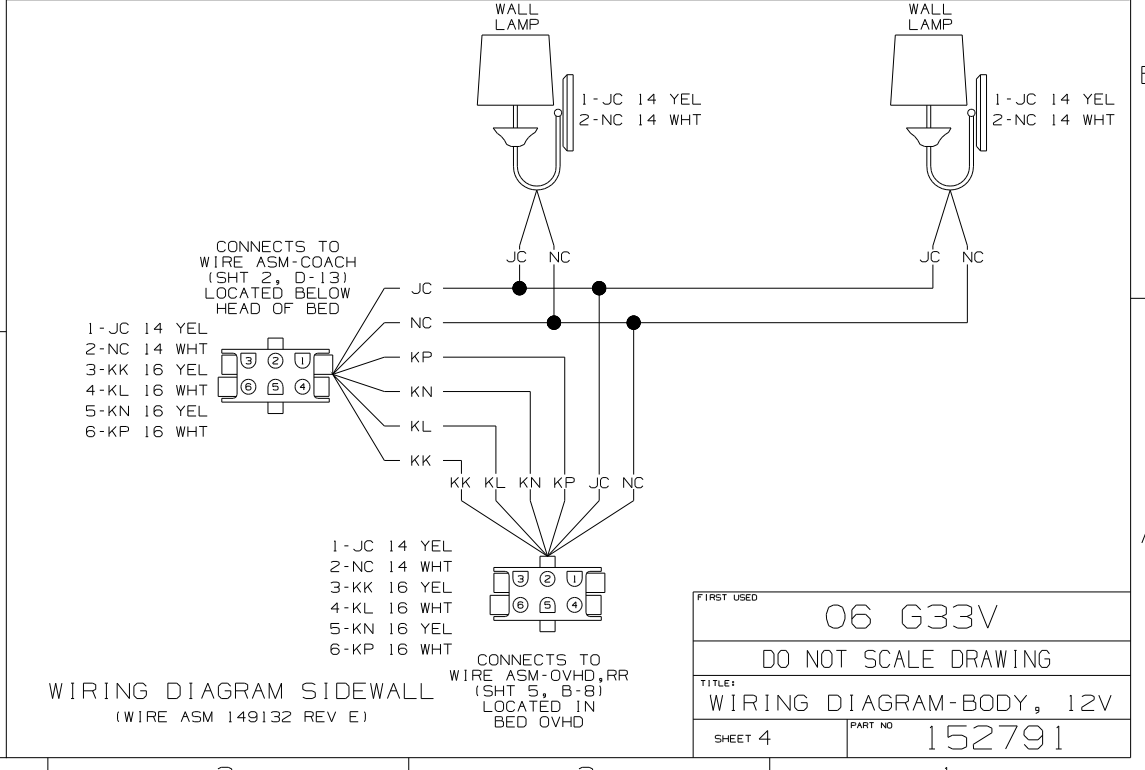
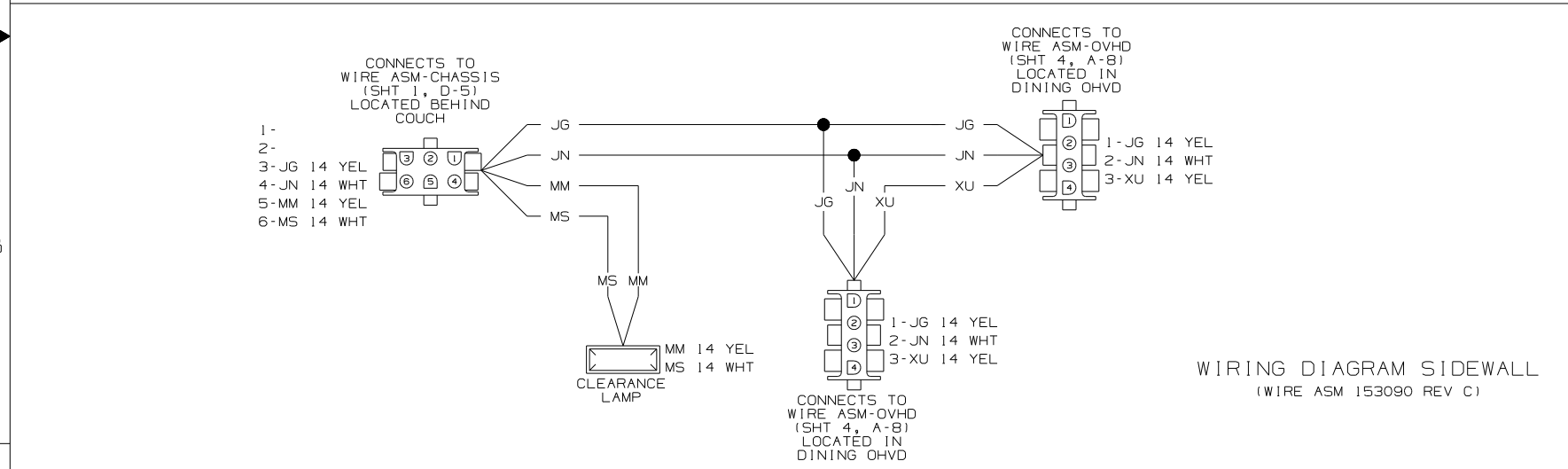
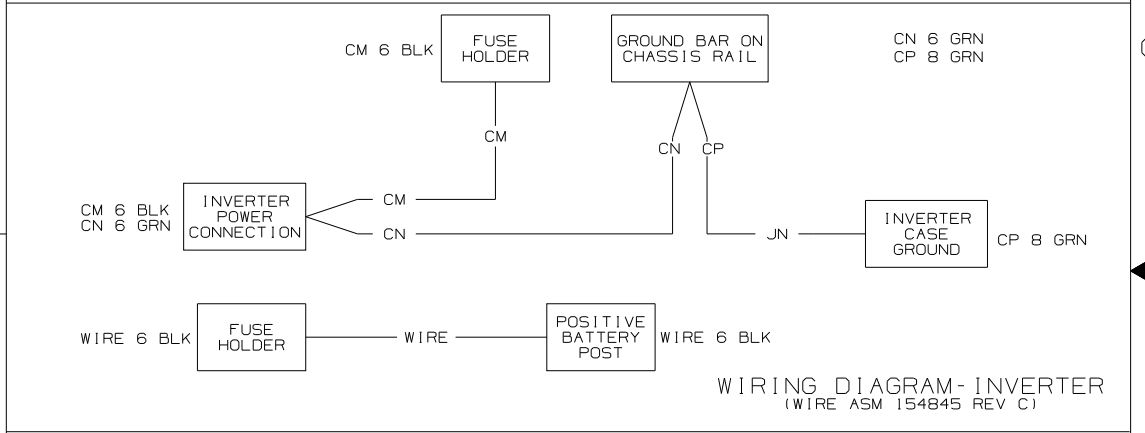
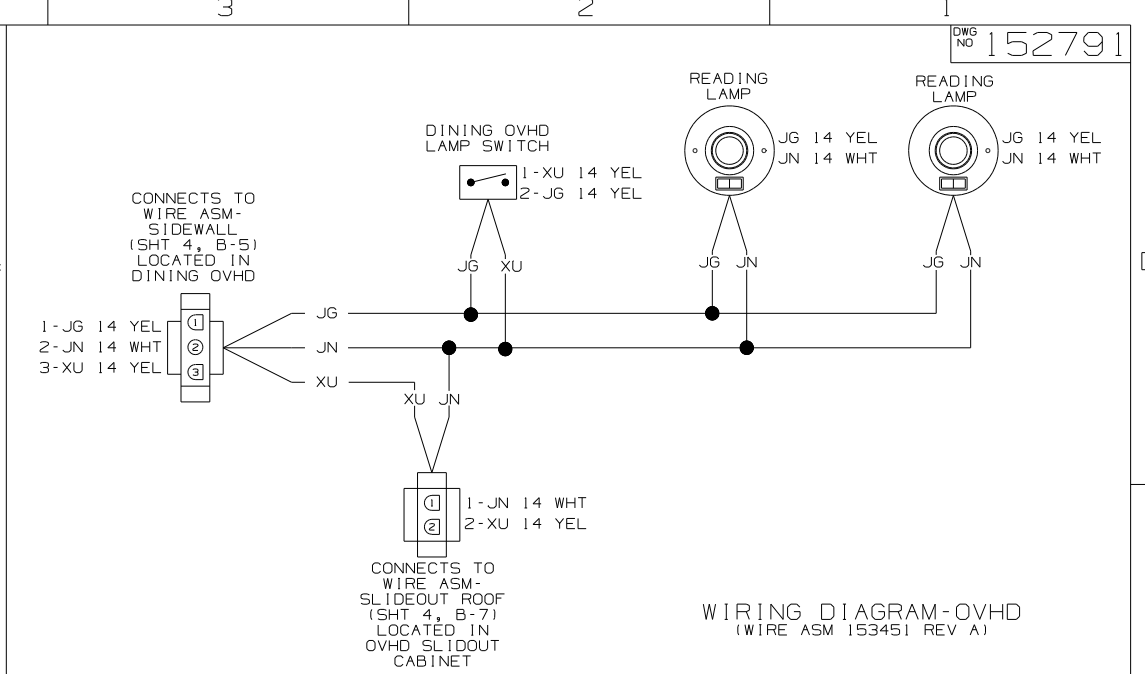
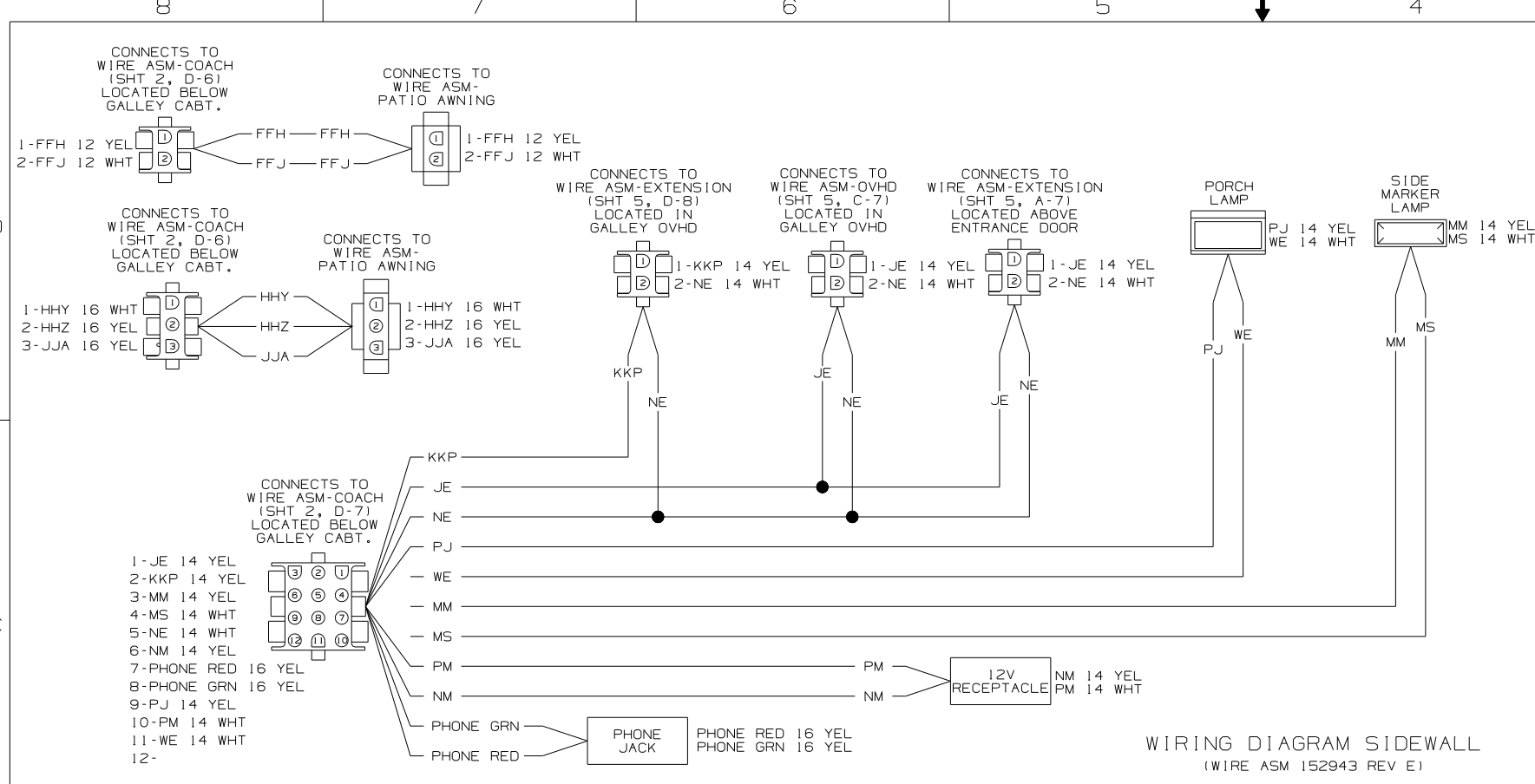
CONNECTS TO WIRE ASM-COACH (SHT 2, D-15) LOCATED BEHIND MONITOR PANEL

1-AAT 16 YEL
 2-AAU 16 WHT
 3-AAW 16 YEL
 4-AAX 16 WHT
 5-GS 14 YEL
 6-GR 14 YEL
 7-JJV 14 YEL
 8-PC 14 YEL
 9-PE 14 YEL
 10-PF 14 YEL
 11-PL 14 YEL
 12-

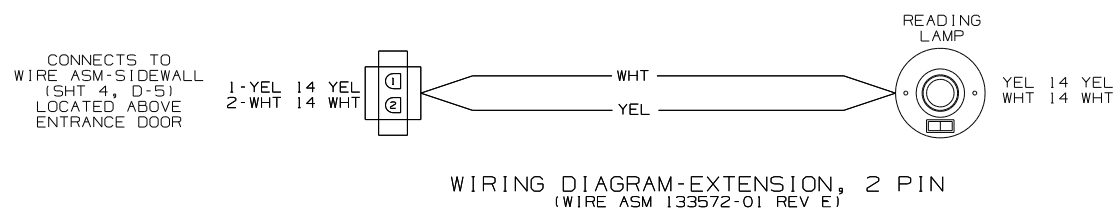
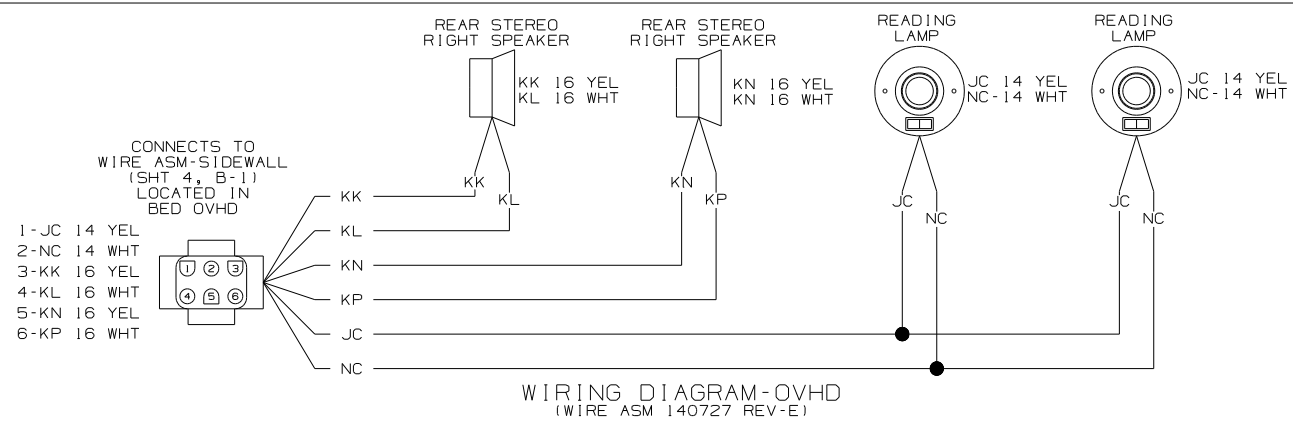
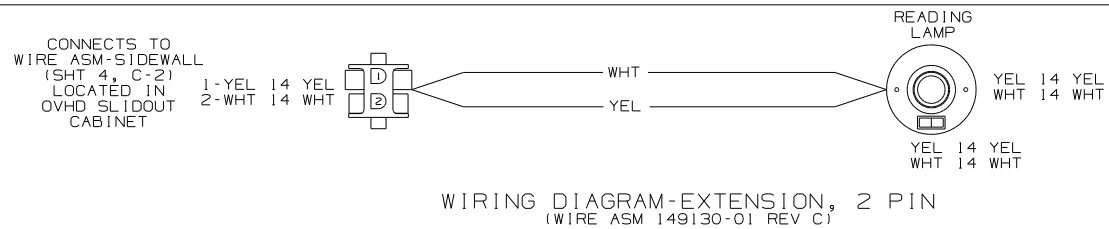
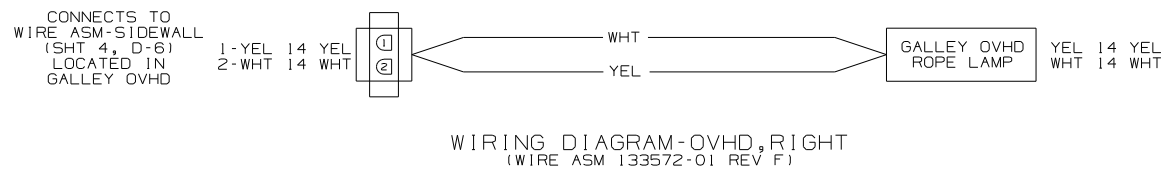
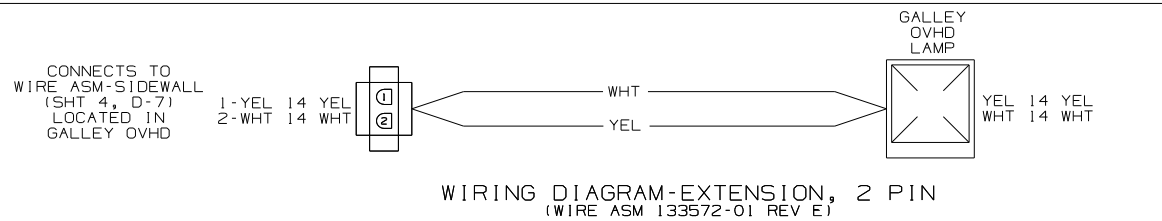
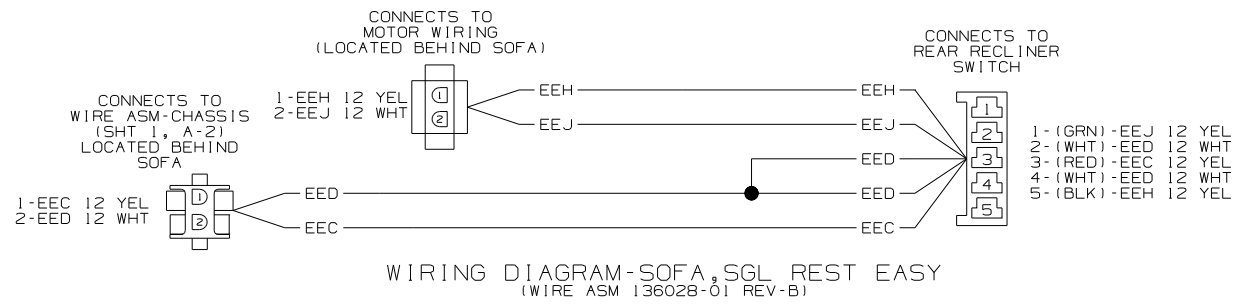
CONNECTS TO WIRE ASM-COACH (SHT 2, D-30) LOCATED BEHIND MONITOR PANEL

1-A 14 YEL
 2-HS 16 YEL
 3-HT 16 WHT
 4-JA 14 YEL
 5-JB 14 YEL
 6-JD 14 YEL
 7-JM 14 WHT
 8-JP 14 WHT
 9-KG 14 YEL
 10-KH 14 YEL
 11-ND 14 WHT
 12-NE 14 WHT
 13-NF 14 WHT
 14-WX 14 YEL
 15-

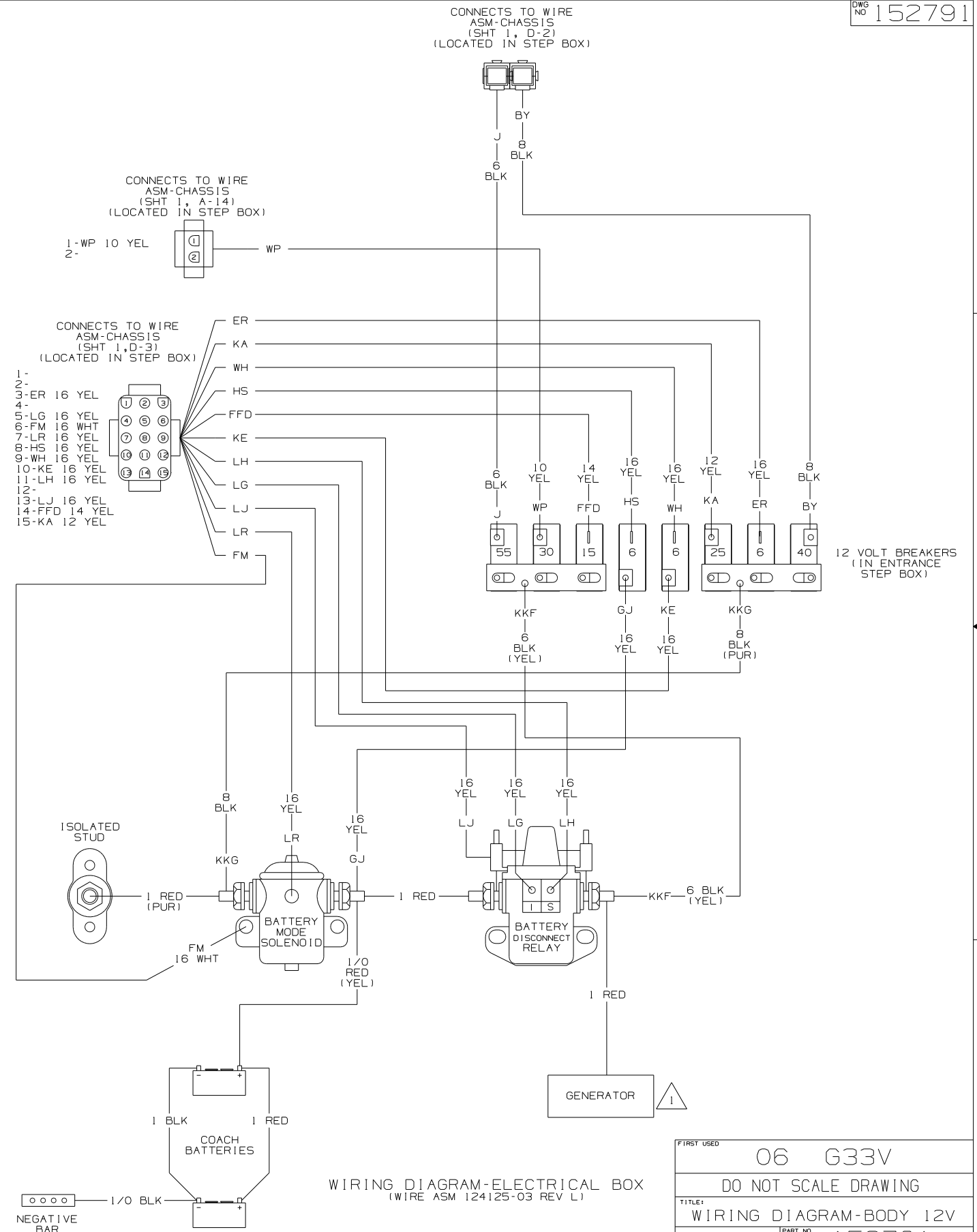




FIRST USED	06 G33V
TITLE	DO NOT SCALE DRAWING
TITLE	WIRING DIAGRAM-BODY, 12V
SHEET 4	PART NO 152791



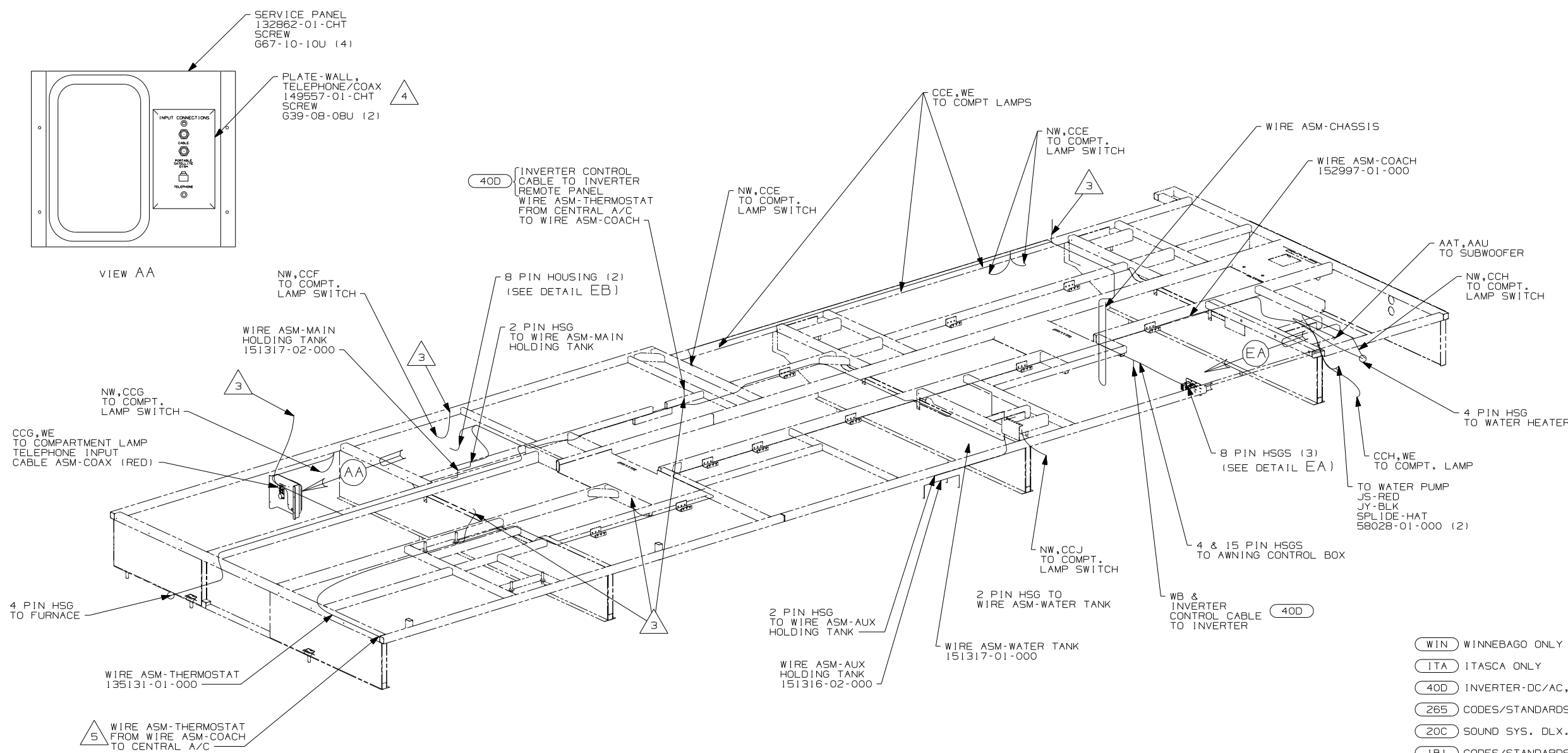
NOTES:  SEE MANUFACTURER'S DIAGRAM FOR ADDITIONAL INFORMATION.



FIRST USED	06 G33V
TITLE:	DO NOT SCALE DRAWING
	WIRING DIAGRAM-BODY 12V
SHEET 5	PART NO 152791

DRAWING NO.	FEATURE
152786-01	(WIN)
152786-02	(ITA)

RELEASE	REV DATE	DWG NO
A		152786
REV ZONE	REVISION RECORD	DATE DFR-0R16



- (WIN) WINNEBAGO ONLY
 - (ITA) ITASCA ONLY
 - (40D) INVERTER-DC/AC, 600 WATT
 - (265) CODES/STANDARDS-CSA/CMVSS
 - (20C) SOUND SYS. DLX. W/O-SURROUND
 - (1B1) CODES/STANDARDS USA
- (1B1) (265)

WINNEBAGO COPYRIGHT 2006 WINNEBAGO INDUSTRIES, INC.

DFTR	ORIG. DATE
CHKR	ALL DIMENSIONS ARE IN MILLIMETERS
P.E.	
M.E.	FIRST USED
DSNR	06 G33V

UNSPECIFIED TOLERANCES ARE: MATERIAL:

HOLE DIM (X)	:
ONE-PLACE (X.X)	:
TWO-PLACE (X.XX)	:
ANGLE	:

THIRD ANGLE PROJECTION

DO NOT SCALE DRAWING

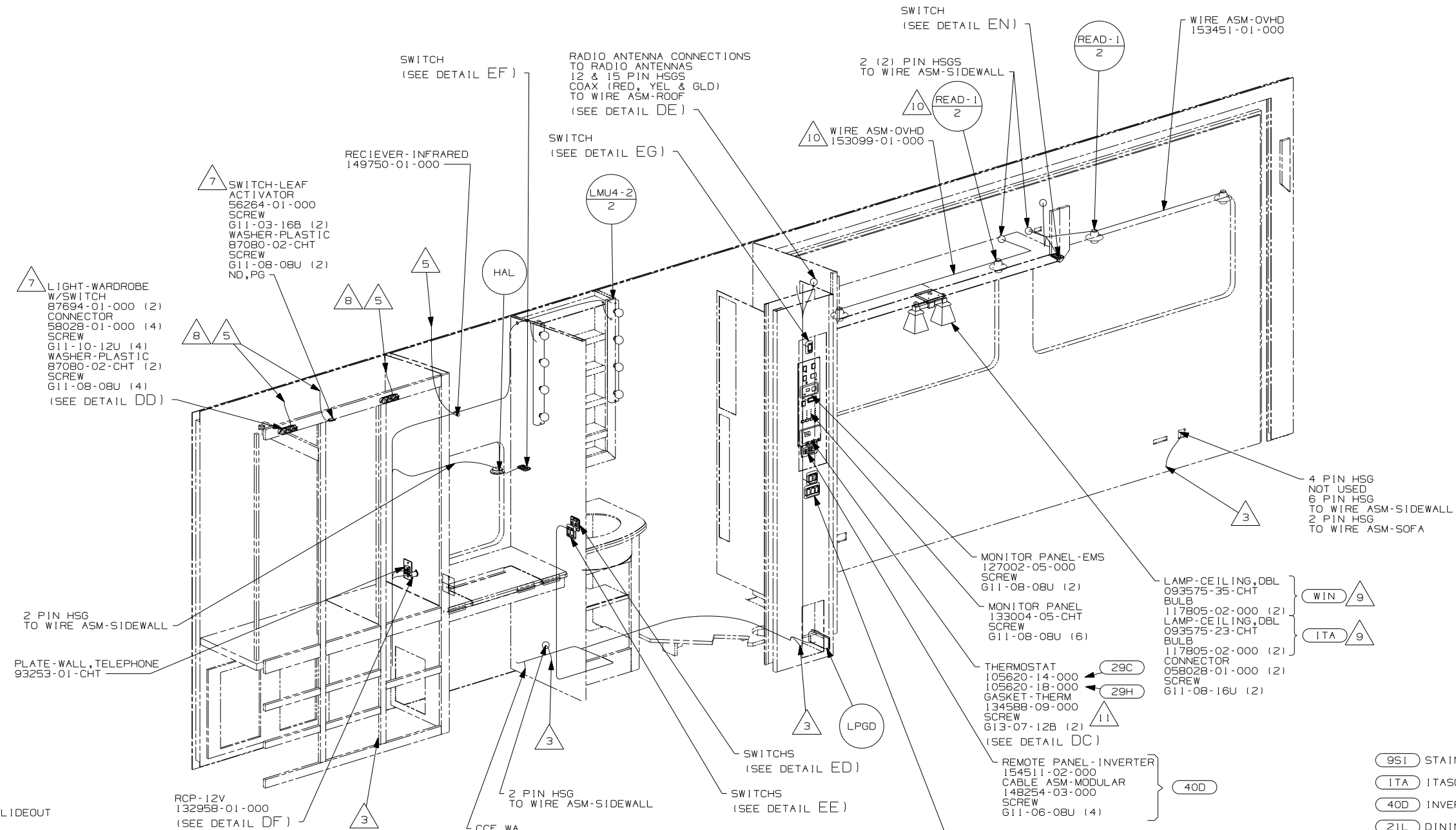
TITLE: WIRING INSTL-BODY, 12V

SHEET 1 of 7 PART NO 152786 REV

- NOTES:
- ALL WIRES TO BE CLAMPED WITH CLAMP 10495-01-000 OR WIRE TIE 8343-02-000 EVERY 600MM, UNLESS OTHERWISE SPECIFIED.
 - SEE WIRING DIAGRAM-BODY, 12V FOR ADDITIONAL INFORMATION.
- 5 FOR ADDITIONAL INFORMATION SEE CENTRAL A/C INSTALLATION.
- 4 CONNECT TELEPHONE WIRES TO MATCHING COLORS ON PLATE-WALL, TELEPHONE
- 3 WIRE PASSES THROUGH FLOOR AT THIS POINT.

FOR ELECTRICAL TORQUE SPECIFICATIONS SEE DWG NO. 128783-01-000

(X-X) FOR ELECTRICAL CALLOUTS SEE DWG NO. 121339-01-000



7 LIGHT-WARDROBE W/SWITCH
87694-01-000 (2)
CONNECTOR
58028-01-000 (4)
SCREW
G11-10-12U (4)
WASHER-PLASTIC
87080-02-CHT (2)
SCREW
G11-08-08U (4)
(SEE DETAIL DD)

7 SWITCH-LEAF ACTIVATOR
56264-01-000
SCREW
G11-03-16B (2)
WASHER-PLASTIC
87080-02-CHT
SCREW
G11-08-08U (2)
ND,PG

2 PIN HSG TO WIRE ASM-SIDEWALL
PLATE-WALL, TELEPHONE
93253-01-CHT

RCP-12V
132958-01-000
(SEE DETAIL DF)

2 PIN HSG TO WIRE ASM-SIDEWALL
CCF,WA TO DRAINAGE COMPT LAMP

RADIO ANTENNA CONNECTIONS TO RADIO ANTENNAS
12 & 15 PIN HSGS
COAX (RED, YEL & GLD)
TO WIRE ASM-ROOF
(SEE DETAIL DE)

SWITCH (SEE DETAIL EN)
2 (2) PIN HSGS TO WIRE ASM-SIDEWALL

10 WIRE ASM-OVHD
153099-01-000

WIRE ASM-OVHD
153451-01-000

MONITOR PANEL-EMS
127002-05-000
SCREW
G11-08-08U (2)

MONITOR PANEL
133004-05-CHT
SCREW
G11-08-08U (16)

THERMOSTAT
105620-14-000
105620-18-000
GASKET-THERM
134588-09-000
SCREW
G13-07-12B (2)
(SEE DETAIL DC)

REMOTE PANEL-INVERTER
154511-02-000
CABLE ASM-MODULAR
148254-03-000
SCREW
G11-06-08U (4)

LAMP-CEILING, DBL
093575-35-CHT
BULB
117805-02-000 (2)
LAMP-CEILING, DBL
093575-23-CHT
BULB
117805-02-000 (2)
CONNECTOR
058028-01-000 (2)
SCREW
G11-08-16U (2)

WIN 9

ITA 9

FOR ELECTRICAL TORQUE SPECIFICATIONS SEE DWG NO. 128783-01-000

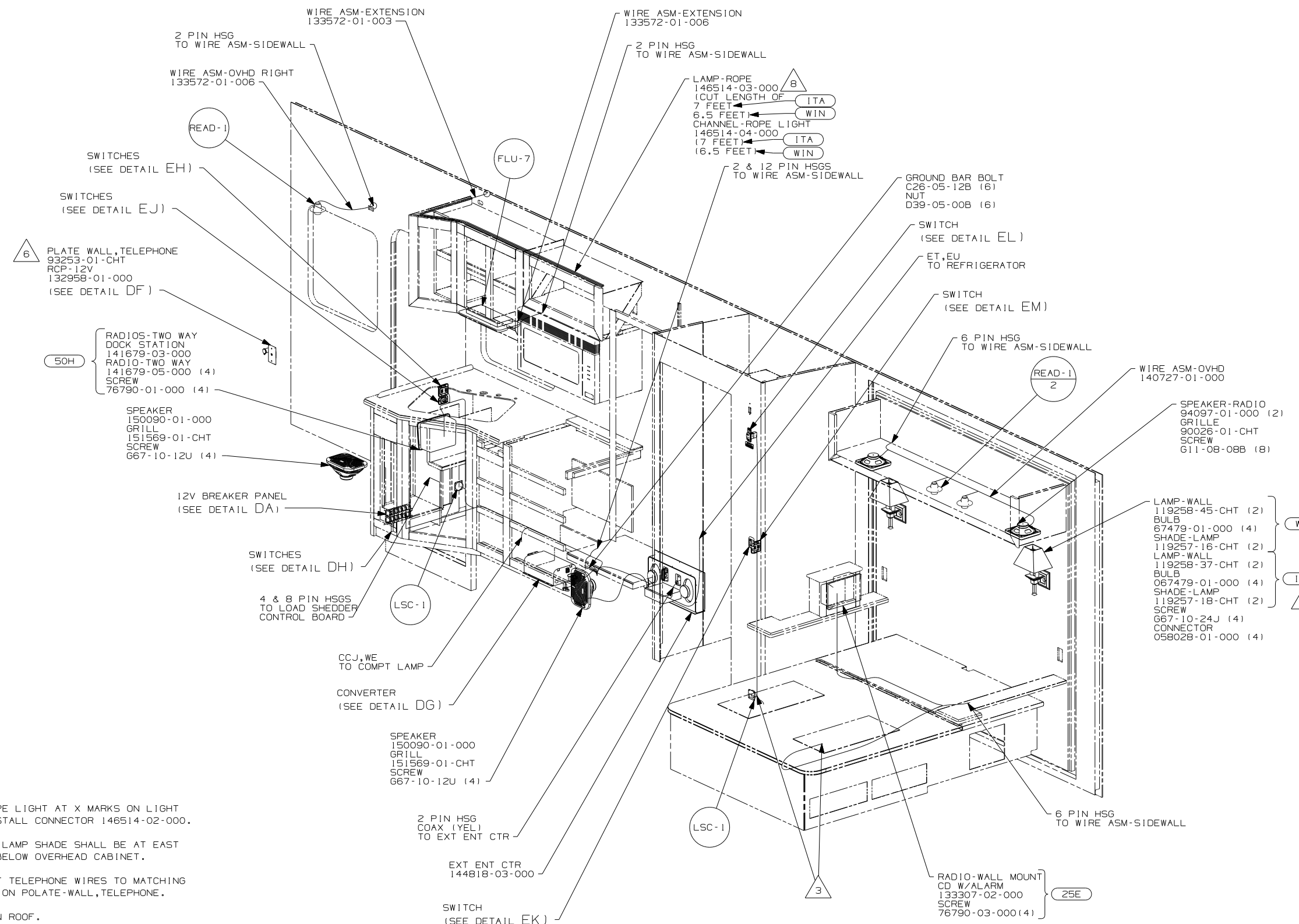
FOR ELECTRICAL CALLOUTS SEE DWG NO. 121339-01-000

- 951 STAINLESS STEEL PKG W/DECOR
- ITA ITASCA ONLY
- 40D INVERTER-DC/AC, 600 WATT
- 21L DINING TABLE/CHAIRS
- 29H A/C CENTRAL HEAT PUMP
- 29C A/C CENTRAL
- 265 CODES/STANDARDS-CSA/CMVSS
- 20F DELUXE SOUND SYSTEM-WITHOUT
- 20C SOUND SYS. DLX. W/O-SURROUND
- 1B1 CODES/STANDARDS USA

FIRST USED		06 G33V	
DO NOT SCALE DRAWING			
TITLE: WIRING INSTL-BODY, 12V			
SHEET 2	PART NO	152786	REV

- 10 NOT USED WITH 21L
 - 9 LAMP IS MOUNTED TO SLIDEOUT ROOF WITH 21L
 - 8 ADD CONDUIT 41953-07 TO WIRE OUT OF ROOF.
 - 7 MOUNT LIGHT AS CLOSE TO WIRE DROP FROM ROOF AS POSSIBLE.
 - 6 CONNECT TELEPHONE WIRES TO MATCHING COLORS ON PLAT-WALL, TELEPHONE.
 - 5 WIRE IN ROOF.
 - 4 WIRE IN SIDEWALL.
 - 3 WIRE PASSES THROUGH FLOOR AT THIS POINT.
2. SEE WIRING DIAGRAM-BODY, 12V FOR ADDITIONAL INFORMATION.
1. ALL WIRES TO BE SECURED WITH CLAMP 10495 OR 10497 OR WIRE TIE 8343 OR 108046 EVERY 600mm, USE SCREW G67-XX-XXX OR G56-XX-XXX AS APPROPRIATE FOR INSTALLATION.

11 INSTALL GASKET ON BACK SIDE OF ONE PLACE AFTER INSTALLATION OF THERMOSTAT, MAKING SURE THAT THE GASKET COVERS AND SEALS THE HOLE THAT THE WIRES PASS THROUGH.



- 8 CUT ROPE LIGHT AT X MARKS ON LIGHT AND INSTALL CONNECTOR 146514-02-000.
- 7 TOP OF LAMP SHADE SHALL BE AT EAST 150mm BELOW OVERHEAD CABINET.
- 6 CONNECT TELEPHONE WIRES TO MATCHING COLORS ON POLATE-WALL, TELEPHONE.
- 5 WIRE IN ROOF.
- 4 WIRE IN SIDEWALL.
- 3 WIRE PASSES THROUGH FLOOR AT THIS POINT.

2. SEE WIRING DIAGRAM-BODY, 12V FOR ADDITIONAL INFORMATION.

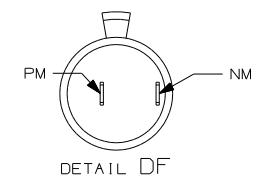
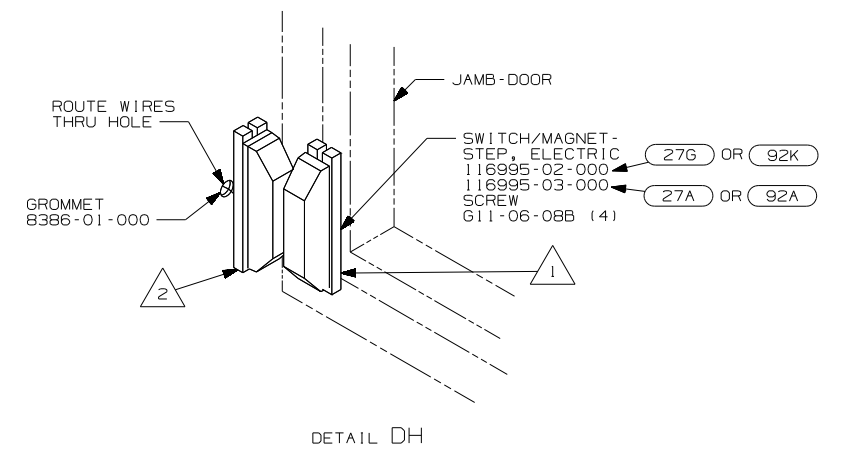
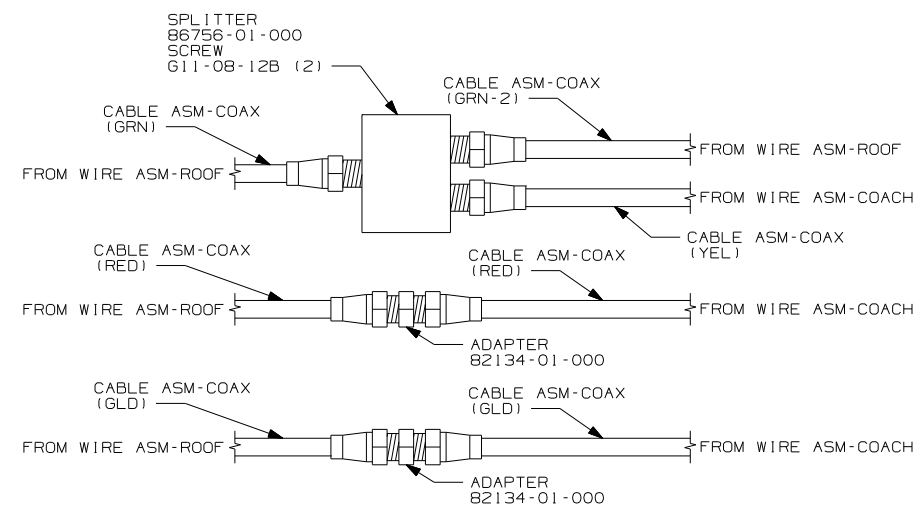
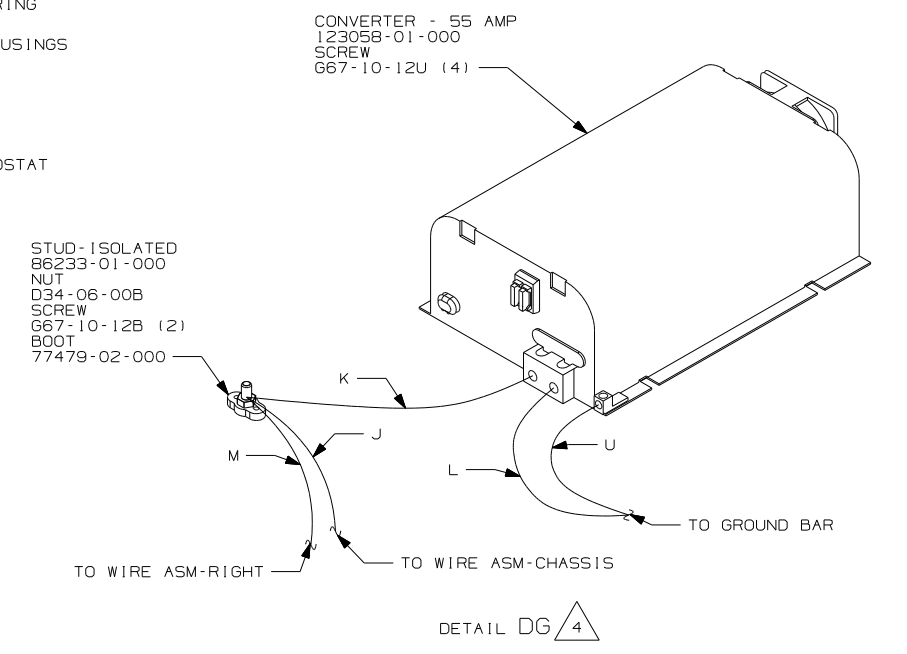
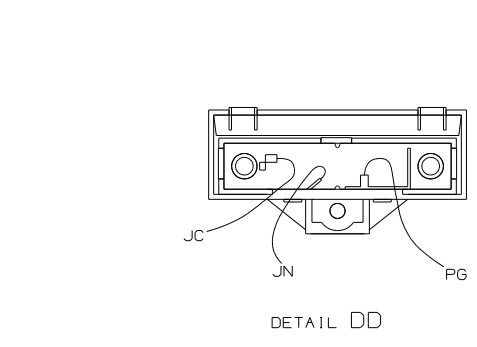
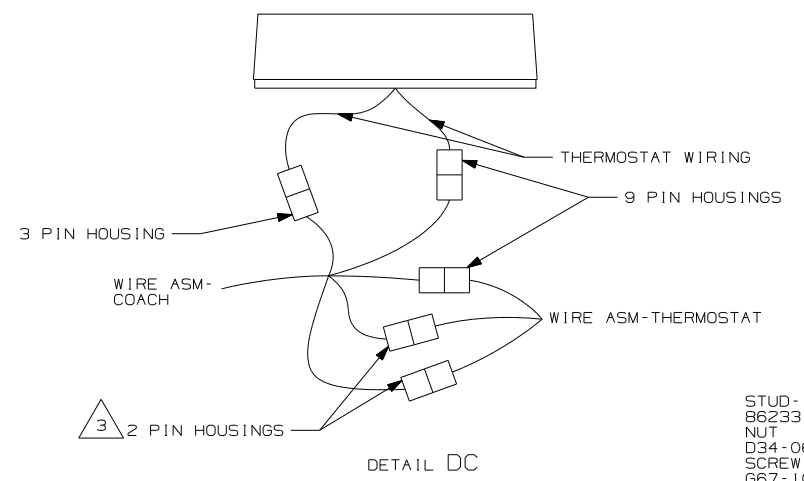
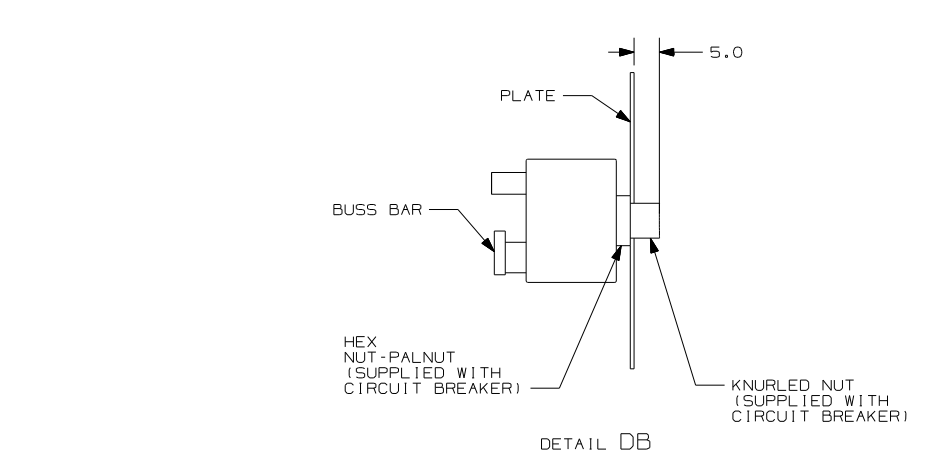
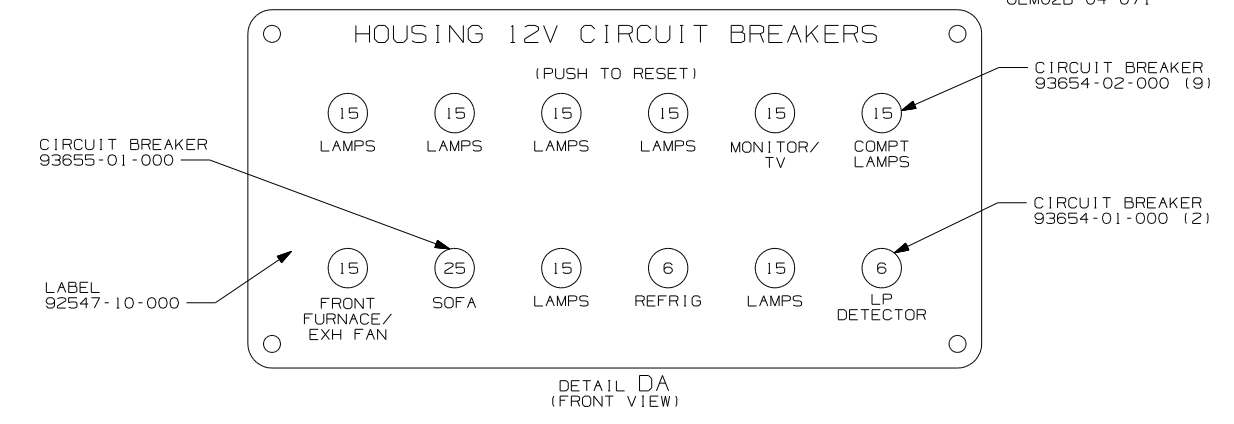
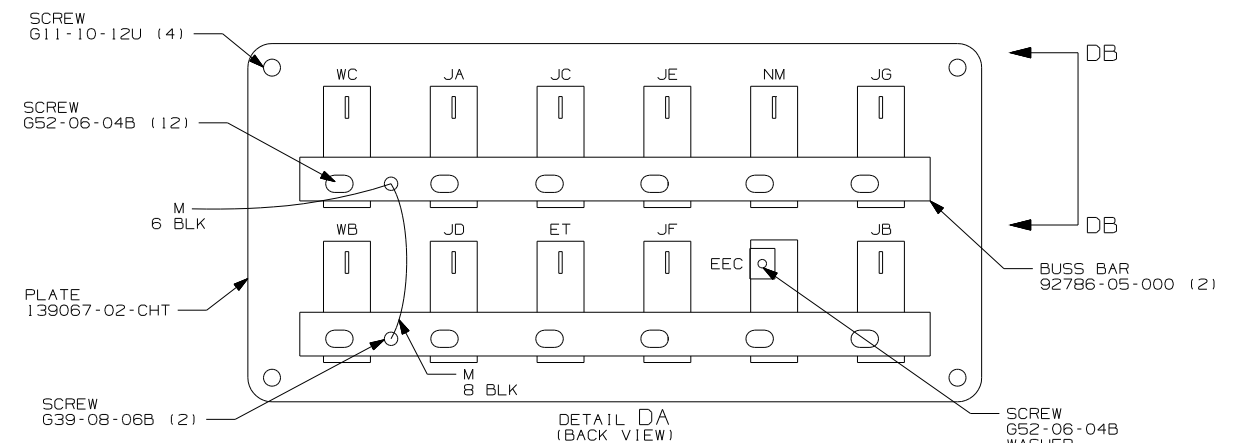
1. ALL WIRES TO BE CLAMPED WITH CLAMP 10495-01-000 OR WIRE TIE 8343-02-000 EVERY 600MM, UNLESS OTHERWISE SPECIFIED.

- 50H RADIOS TWO-WAY (4)
- 265 CODES/STANDARDS-CSA/CMVSS
- 25E STEREO SYSTEM W/CD REAR
- 20F DELUXE SOUND SYSTEM-WITHOUT
- 1B1 CODES/STANDARDS USA
- WIN WINNEBAGO ONLY
- ITA ITASCA ONLY

FIRST USED	06 G33V
TITLE	DO NOT SCALE DRAWING
SHEET 3	WIRING INSTL-BODY, 12V
PART NO	152786
REV	

FOR ELECTRICAL TORQUE SPECIFICATIONS SEE DWG NO. 128783-01-000

FOR ELECTRICAL CALLOUTS SEE DWG NO. 121339-01-000



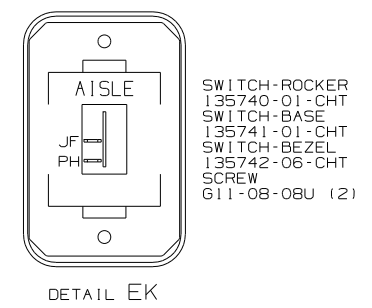
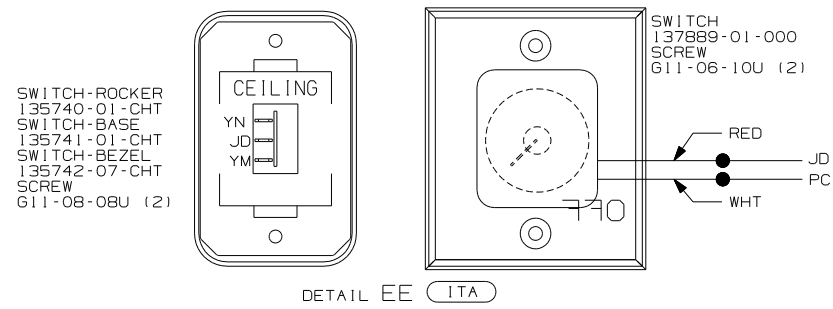
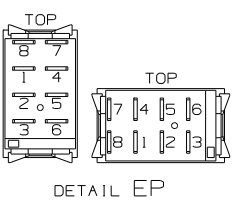
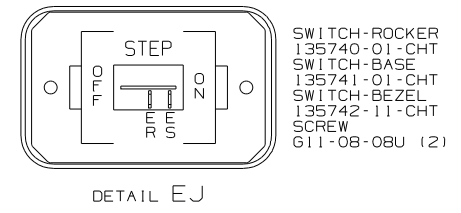
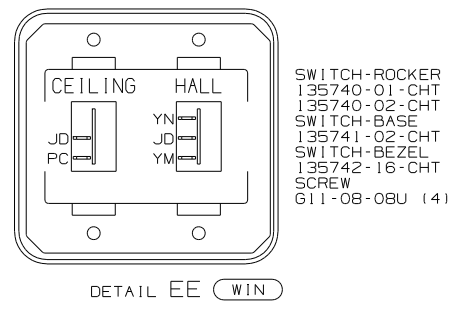
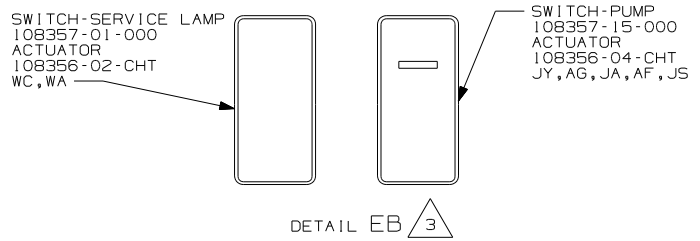
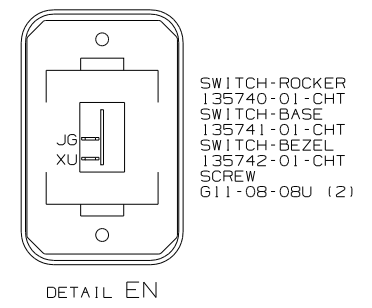
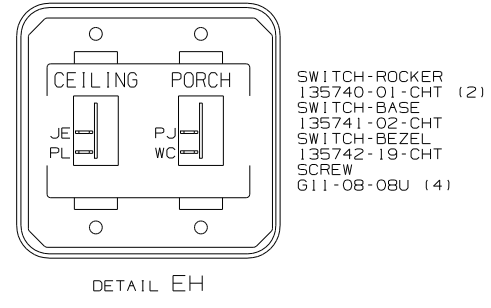
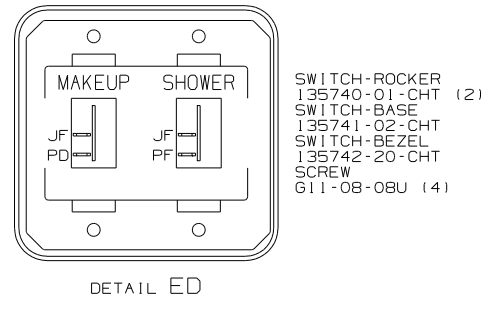
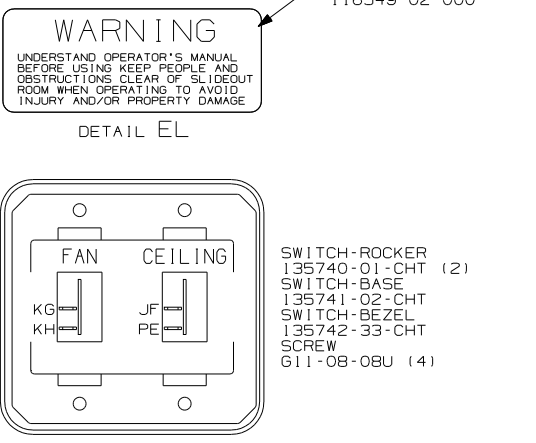
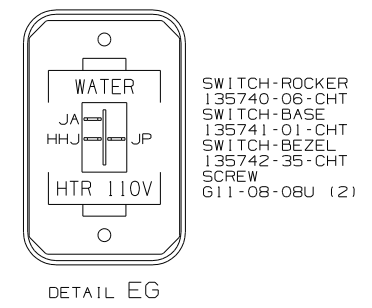
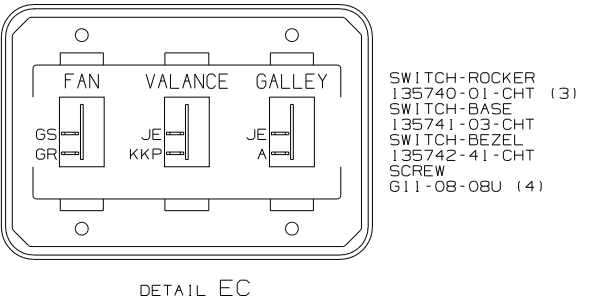
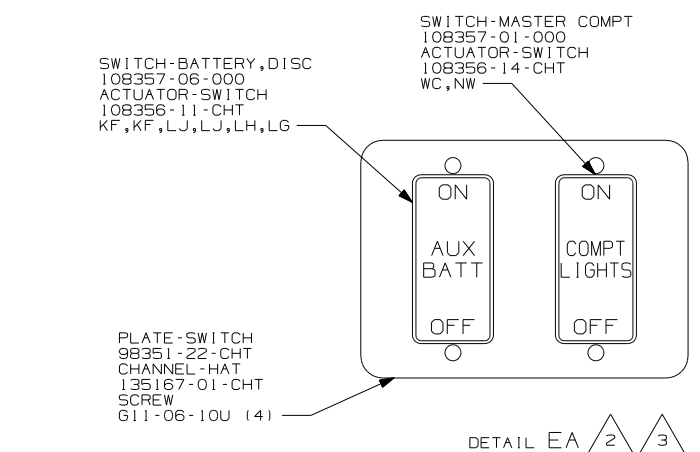
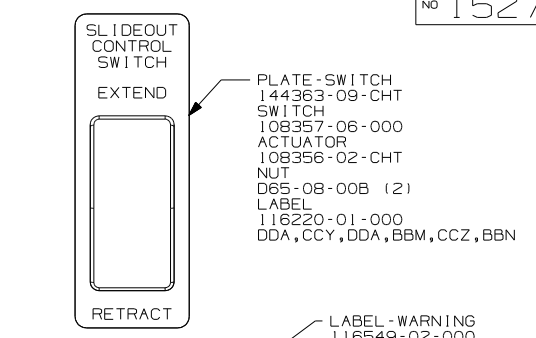
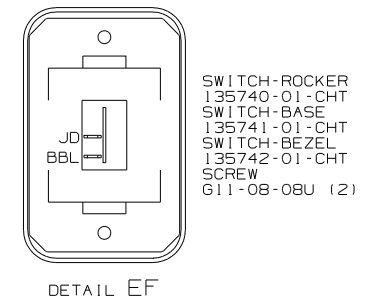
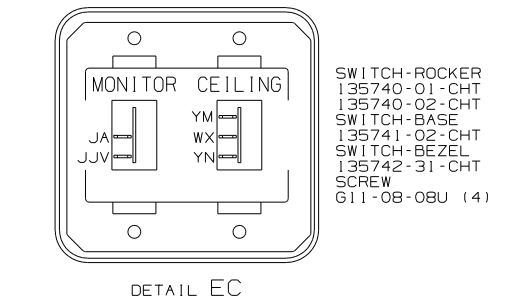
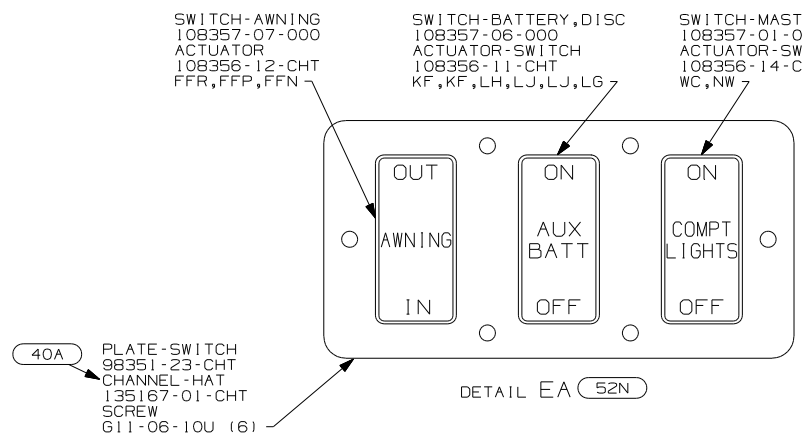
- NOTES:
- 4 FOR POSITIONING DIMENSIONS SEE WIRING INSTL-BODY, 110V SHT 4.
 - 3 WITHOUT (29H) PLUG THE TWO PIN HOUSINGS TOGETHER ON WIRE ASM-THERMOSTAT.
 - 2 MOUNT SWITCH AND SPACER TO BLOCK ON JAMB ADJUST HEIGHT TO MATCH MAGNET.
 - 1 MOUNT MAGNET USING PILOT HOLES IN SCREEN DOOR FRAME. MOUNT WITH MAGNET TOWARD SWITCH.

FOR ELECTRICAL TORQUE SPECIFICATIONS SEE DWG NO. 128783-01-000

FOR ELECTRICAL CALLOUTS SEE DWG NO. 121339-01-000

- (92K) EXTERIOR GRAPHICS PACKAGE #2
- (92A) EXT FULL BODY PAINT PKG # 2
- (29H) A/C CENTRAL-HEAT PUMP
- (27G) EXTERIOR GRAPHICS PACKAGE #1
- (27A) EXT FULL BODY PAINT PKG #1
- (265) CODES/STANDARDS-CSA/CMVSS
- (1B1) CODES/STANDARDS USA

FIRST USED	06 G33V	
TITLE:	DO NOT SCALE DRAWING	
	WIRING INSTL-BODY, 12V	
SHEET 4	PART NO	REV
	152786	



- (WIN) WINNEBAGO ONLY
- (ITA) ITASCA ONLY
- (52N) AWNING - PATIO, ELECTRIC
- (40A) INVERTER-DC/AC WITHOUT
- (265) CODES/STANDARDS-CSA/CMVSS
- (1B1) CODES/STANDARDS USA

3 FOR SWITCH ORIENTATION SEE DETAIL EP.
2 WITHOUT (52N).

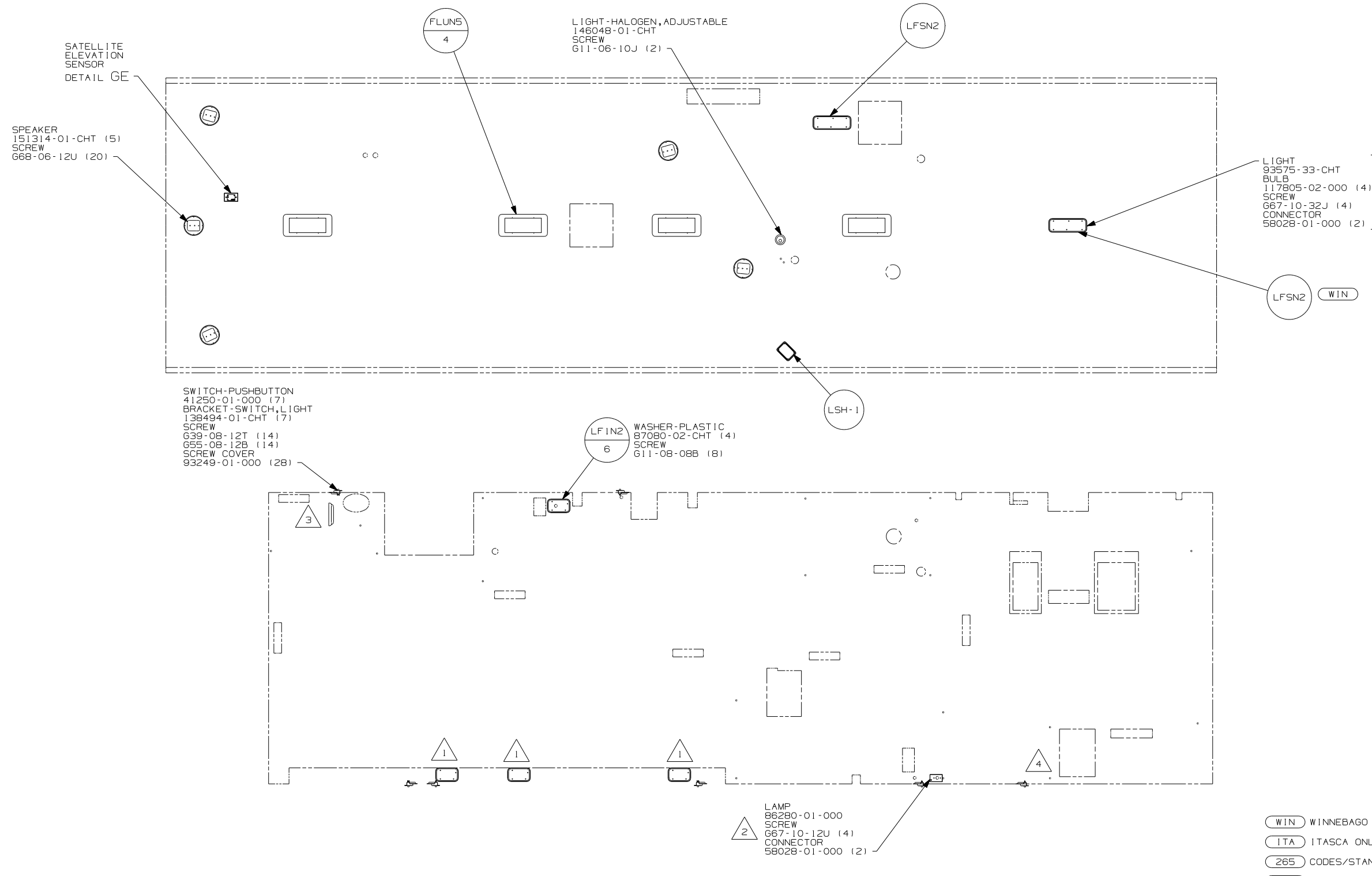
1. SWITCHES ARE TO BE INSTALLED AS SHOWN ON THIS DRAWING.

NOTES:

FOR ELECTRICAL TORQUE SPECIFICATIONS SEE DWG NO. 128783-01-000

(X-X) FOR ELECTRICAL CALLOUTS SEE DWG NO. 121339-01-000

FIRST USED	06 G33V
DO NOT SCALE DRAWING	
TITLE:	WIRING INSTL-BODY, 12V
SHEET 5	PART NO 152786 REV



SATELLITE ELEVATION SENSOR
DETAIL GE

SPEAKER
151314-01-CHT (5)
SCREW
668-06-12U (20)

FLUN5
4

LIGHT-HALOGEN, ADJUSTABLE
146048-01-CHT
SCREW
G11-06-10J (2)

LFSN2

LIGHT
93575-33-CHT
BULB
117805-02-000 (4) } ITA
SCREW
G67-10-32J (4)
CONNECTOR
58028-01-000 (2)

LFSN2 WIN

SWITCH-PUSHBUTTON
41250-01-000 (7)
BRACKET-SWITCH, LIGHT
138494-01-CHT (7)
SCREW
G39-08-12T (14)
G55-08-12B (14)
SCREW COVER
93249-01-000 (28)

LFIN2 6

WASHER-PLASTIC
87080-02-CHT (4)
SCREW
G11-08-08B (8)

LSH-1

LAMP
86280-01-000
SCREW
G67-10-12U (4)
CONNECTOR
58028-01-000 (2)

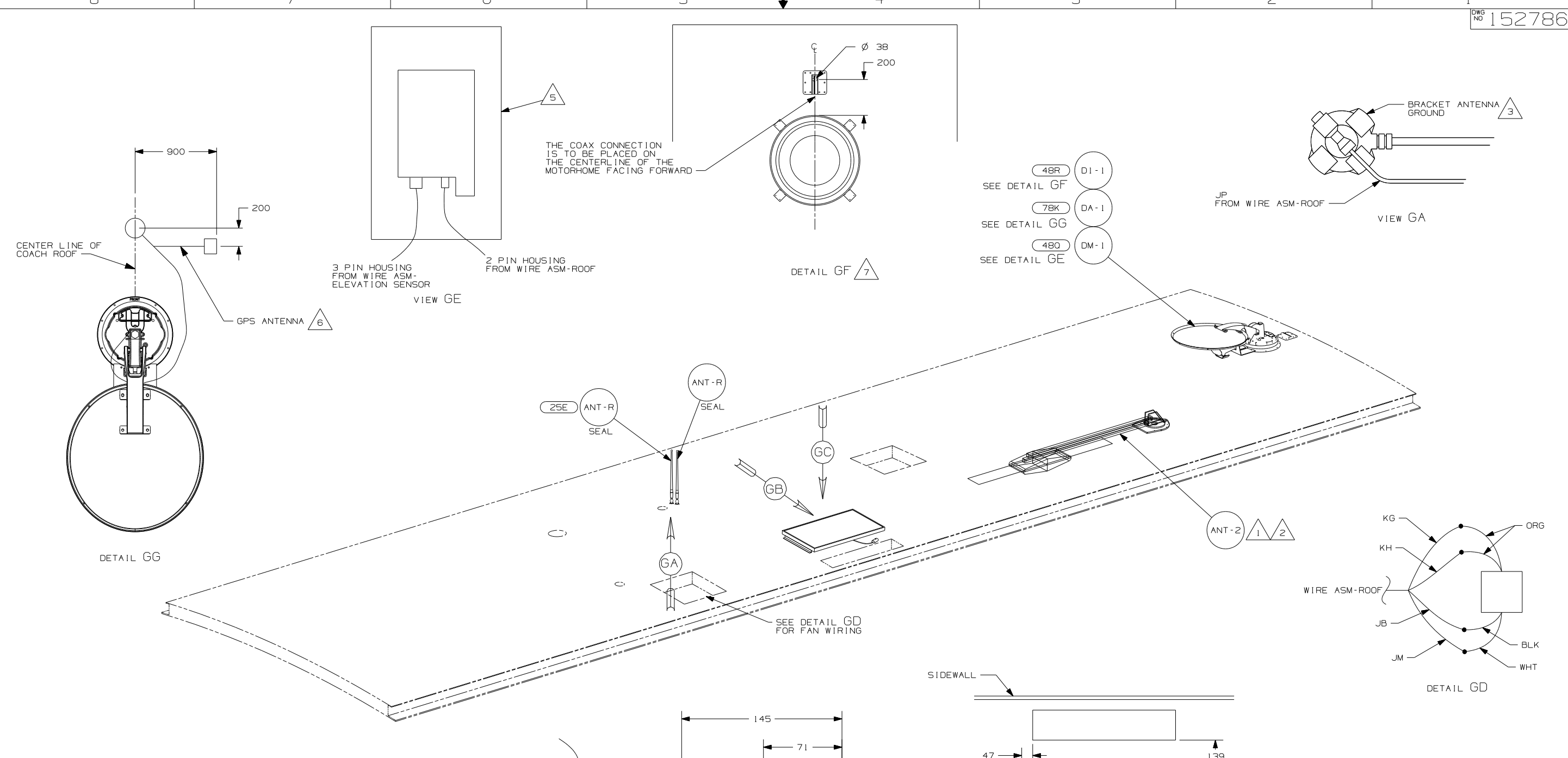
- NOTES:
- 4 LAMP LOCATED IN POWER CORD COMPARTMENT.
 - 3 LAMP LOCATED IN WATER HEATER COMPARTMENT.
 - 2 LAMP LOCATED IN SERVICE COMPARTMENT.
 - 1 LAMPS LOCATED IN SLIDEOUT.

FOR ELECTRICAL TORQUE SPECIFICATIONS SEE DWG NO. 128783-01-000

FOR ELECTRICAL CALLOUTS SEE DWG NO. 121339-01-000

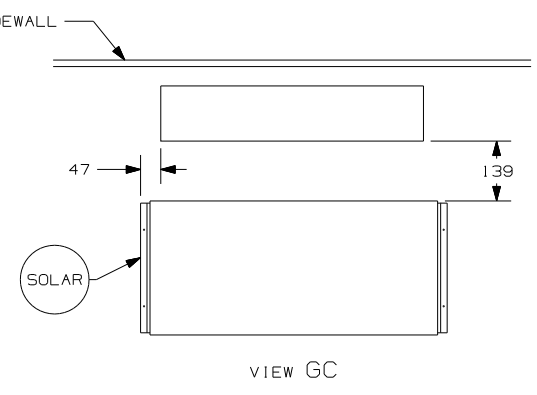
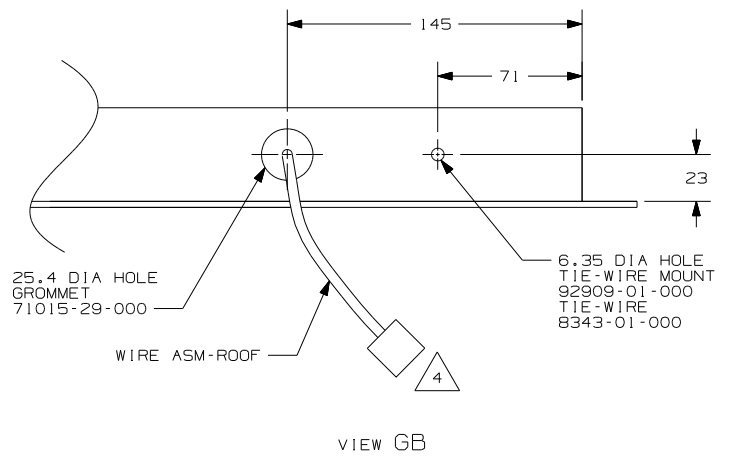
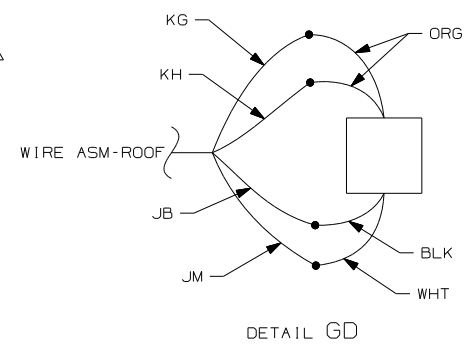
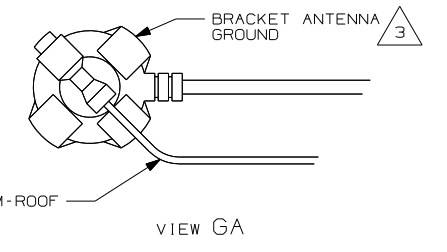
- WIN WINNEBAGO ONLY
- ITA ITASCA ONLY
- 265 CODES/STANDARDS-CSA/CMVSS
- 1B1 CODES/STANDARDS USA

FIRST USED	06 G33V
DO NOT SCALE DRAWING	
TITLE:	WIRING INSTL-BODY, 12V
SHEET 6	PART NO 152786 REV



- NOTES:
- 7 REMOVE ALL SHIPPING RESTRAINTS AND FIRMLY INSERT THE SUPPLIED PLUGS INTO THE APPROPRIATE SIZED HOLES AS SPECIFIED IN THE INSTALLATION PROCESS.
 - 6 MOUNT GPS ANTENNA TO THE RIGHT OF THE SATELLITE AS SHOWN. SECURE CABLE WITH ROOF SEALANT.
 - 5 SENSOR SUPPLIED WITH SATELLITE ASSEMBLY.
 - 4 FASTEN TO VENT.
 - 3 WRAP BRACKET LEGS AROUND ANTENNA BASE.
 - 2 ADD RUBBER BUMPERS TO ROOF UNDER EACH END OF ANTENNA TO PREVENT CONTACT WITH THE ROOF.
 - 1 SEE DWG 76319-01-000 FRO INSTALLATION OF TV ANTENNA.

- 48R DI-1
SEE DETAIL GF
- 78K DA-1
SEE DETAIL GG
- 480 DM-1
SEE DETAIL GE

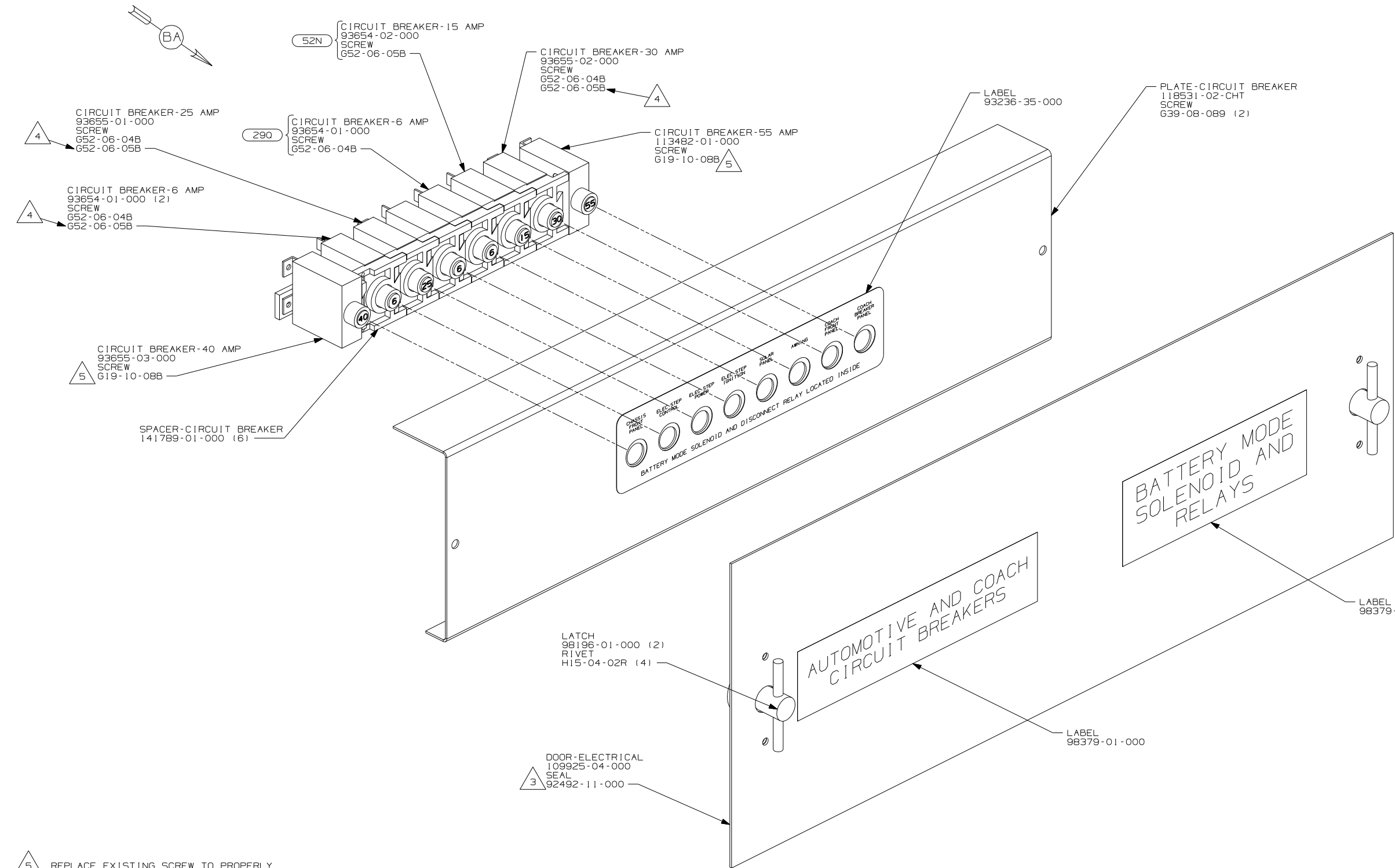


- 78K SATELLITE DISH-AUTOMATIC
- 48R SAT SYS IN-MOTION W/O RCVR
- 480 SATELLITE DISH & ELEV.SENSOR
- 265 CODES/STANDARDS-CSA/CMVSS
- 25E STEREO SYSTEM W/CD REAR
- 1B1 CODES/STANDARDS USA

FOR ELECTRICAL TORQUE SPECIFICATIONS SEE DWG NO. 128783-01-000

FOR ELECTRICAL CALLOUTS SEE DWG NO. 121339-01-000

FIRST USED		06 G33V	
DO NOT SCALE DRAWING			
TITLE: WIRING INSTL-BODY, 12V			
SHEET 7	PART NO	152786	REV



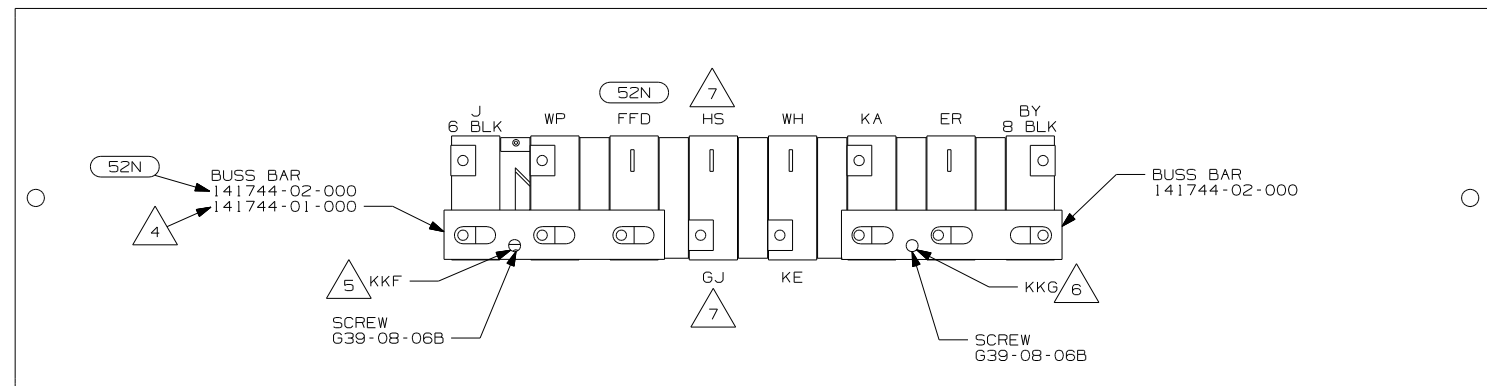
- 5 REPLACE EXISTING SCREW TO PROPERLY ATTACH BREAKER TO BUSS BAR.
- 4 USE THE LONGER SCREW TO PROPERLY ATTACH BREAKER TO BUSS BAR.
- 3 PLACE AROUND ENTIRE PERIMETER OF DOOR WITH SEAM AT BOTTOM.

2. SECURE CONDUIT 41953-09, -10, -11, -13, AND -14 OVER ALL WIRES IN CONTACT WITH SHARP EDGES.

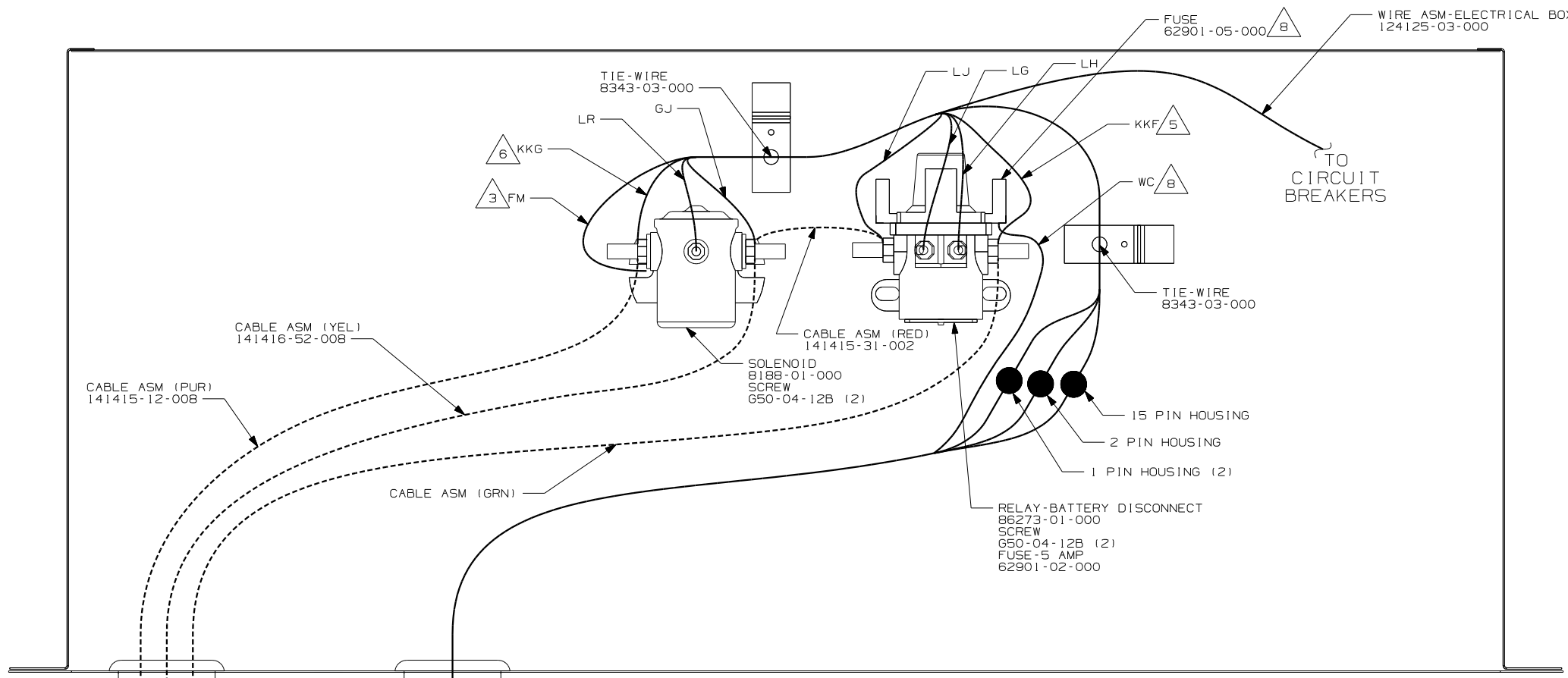
1. LEGEND: — WINNEBAGO: - - - - - CABLE: - - - - - CHASSIS SUPPLIED WIRING.

- 290 SOLAR PANEL - 10 WATT
- 52N AWNING - PATIO, ELECTRIC
- 265 CODES/STANDARDS - CSA/CMVSS
- 1B1 CODES/STANDARDS - USA

WINNEBAGO		COPYRIGHT 2004 WINNEBAGO INDUSTRIES, INC.	
DFTR	ORIG. DATE		
CHKR	ALL DIMENSIONS ARE IN MILLIMETERS		
P.E.			
M.E.	FIRST USED		
DSNR	04 F & G-SERIES		
UNSPECIFIED TOLERANCES ARE:		MATERIAL:	
WHOLE DIM (X)	:		
ONE-PLACE (X.X)	:		
TWO-PLACE (X.XX)	:		
ANGLE	:		
THIRD ANGLE PROJECTION			
DO NOT SCALE DRAWING			
TITLE: CHASSIS ELECTRICAL BOX ASM			
SHEET 1 OF 2	PART NO	146761	
REF:	1 12/6/2005		



DETAIL BA



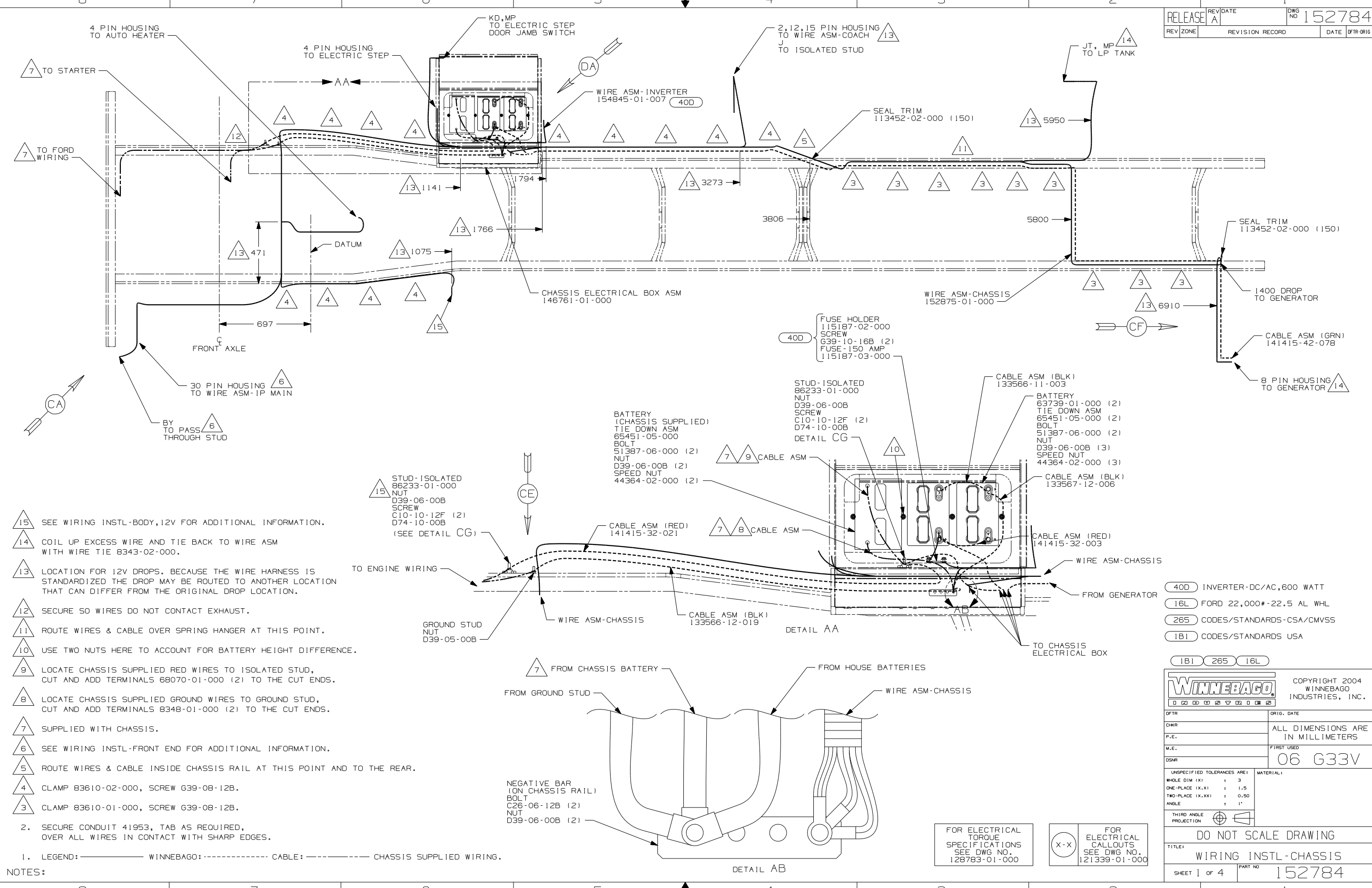
- 8 USED ON F38S SHELL ONLY.
- 7 IF CIRCUIT IS NOT USED, TAPE BACK TO HARNESS.
- 6 WIRE MARKED WITH PURPLE TAPE.
- 5 WIRE MARKED WITH YELLOW TAPE.
- 4 WITHOUT 52N
- 3 SECURE WITH SOLENOID MOUNTING SCREW.

2. SECURE CONDUIT 41953-09, -10, -11, -13, AND -14 OVER ALL WIRES IN CONTACT WITH SHARP EDGES.

1. LEGEND: — WINNEBAGO: - - - - - CABLE: - - - - - CHASSIS SUPPLIED WIRING.

52N AWNING - PAT10, ELECTRIC
 265 CODES/STANDARDS - CSA/CMVSS
 1B1 CODES/STANDARDS - USA

1B1 265	
FIRST USED	
04 F & G-SERIES	
DO NOT SCALE DRAWING	
TITLE:	
CHASSIS ELECTRICAL BOX ASM	
SHEET 2	PART NO 146761

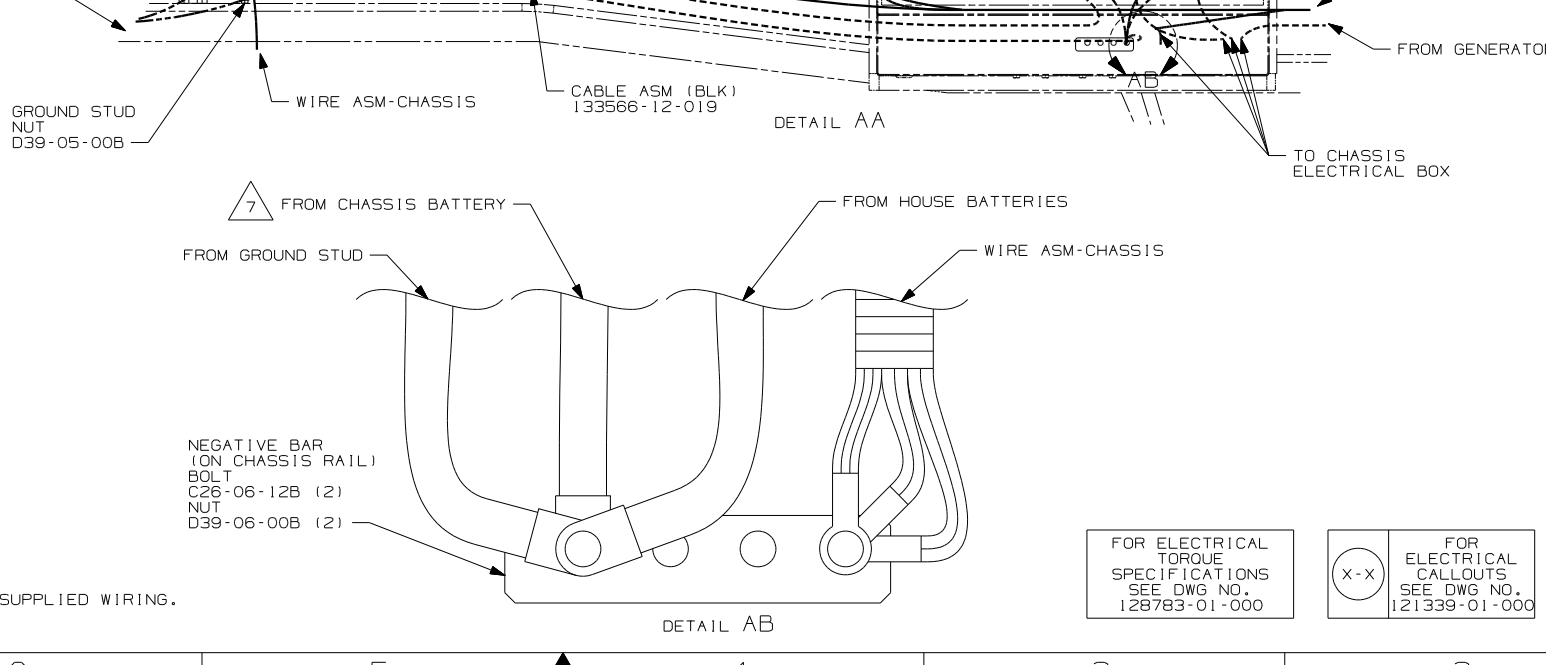


- 15 SEE WIRING INSTL-BODY, 12V FOR ADDITIONAL INFORMATION.
- 14 COIL UP EXCESS WIRE AND TIE BACK TO WIRE ASM WITH WIRE TIE 8343-02-000.
- 13 LOCATION FOR 12V DROPS. BECAUSE THE WIRE HARNESS IS STANDARDIZED THE DROP MAY BE ROUTED TO ANOTHER LOCATION THAT CAN DIFFER FROM THE ORIGINAL DROP LOCATION.
- 12 SECURE SO WIRES DO NOT CONTACT EXHAUST.
- 11 ROUTE WIRES & CABLE OVER SPRING HANGER AT THIS POINT.
- 10 USE TWO NUTS HERE TO ACCOUNT FOR BATTERY HEIGHT DIFFERENCE.
- 9 LOCATE CHASSIS SUPPLIED RED WIRES TO ISOLATED STUD, CUT AND ADD TERMINALS 68070-01-000 (2) TO THE CUT ENDS.
- 8 LOCATE CHASSIS SUPPLIED GROUND WIRES TO GROUND STUD, CUT AND ADD TERMINALS 8348-01-000 (2) TO THE CUT ENDS.
- 7 SUPPLIED WITH CHASSIS.
- 6 SEE WIRING INSTL-FRONT END FOR ADDITIONAL INFORMATION.
- 5 ROUTE WIRES & CABLE INSIDE CHASSIS RAIL AT THIS POINT AND TO THE REAR.
- 4 CLAMP 83610-02-000, SCREW G39-08-12B.
- 3 CLAMP 83610-01-000, SCREW G39-08-12B.

2. SECURE CONDUIT 41953, TAB AS REQUIRED, OVER ALL WIRES IN CONTACT WITH SHARP EDGES.

1. LEGEND: _____ WINNEBAGO: - - - - - CABLE: - - - - - CHASSIS SUPPLIED WIRING.

NOTES:



FOR ELECTRICAL TORQUE SPECIFICATIONS SEE DWG NO. 128783-01-000

FOR ELECTRICAL CALLOUTS SEE DWG NO. 121339-01-000

- 40D INVERTER-DC/AC, 600 WATT
- 16L FORD 22,000#-22.5 AL WHL
- 265 CODES/STANDARDS-CSA/CMVSS
- 1B1 CODES/STANDARDS USA

1B1 265 16L

WINNEBAGO COPYRIGHT 2004 WINNEBAGO INDUSTRIES, INC.

DFTR	ORIG. DATE
CHKR	ALL DIMENSIONS ARE IN MILLIMETERS
P.E.	
M.E.	FIRST USED
DSNR	06 G33V

UNSPECIFIED TOLERANCES ARE: MATERIAL:

WHOLE DIM (X)	: 3
ONE-PLACE (X.X)	: 1.5
TWO-PLACE (X.XX)	: 0.50
ANGLE	: 1°

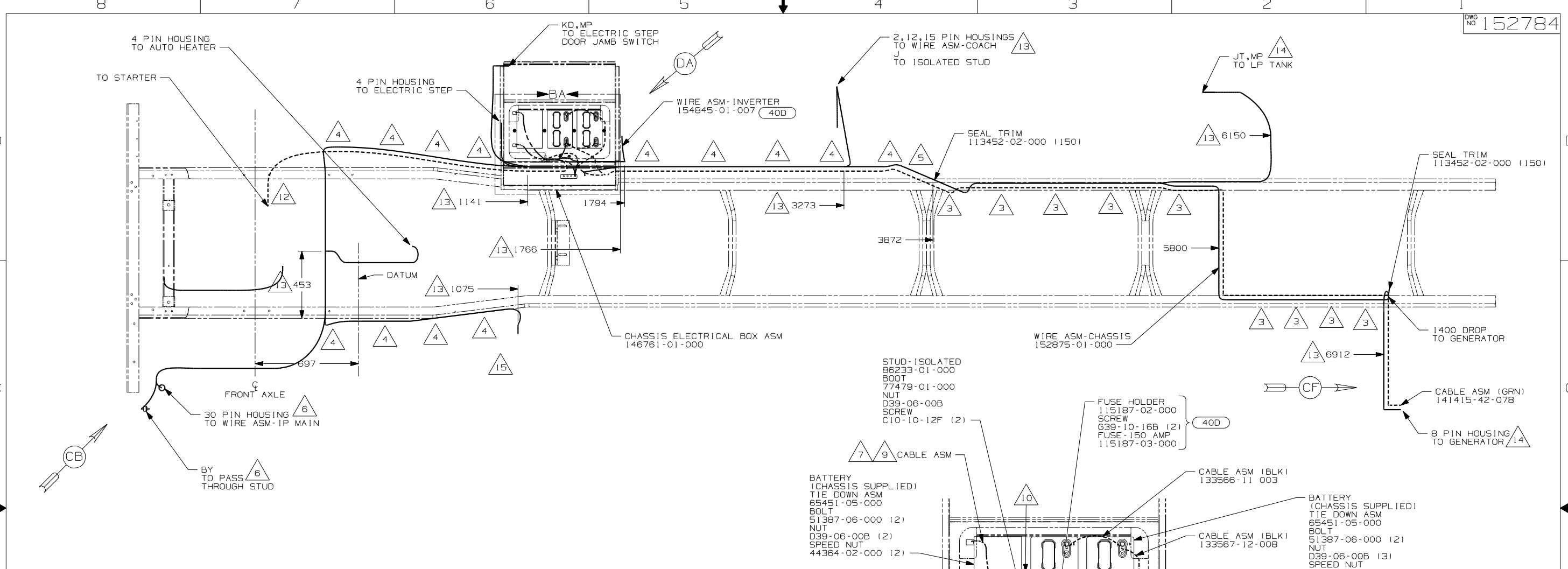
THIRD ANGLE PROJECTION

DO NOT SCALE DRAWING

TITLE: WIRING INSTL-X-CHASSIS

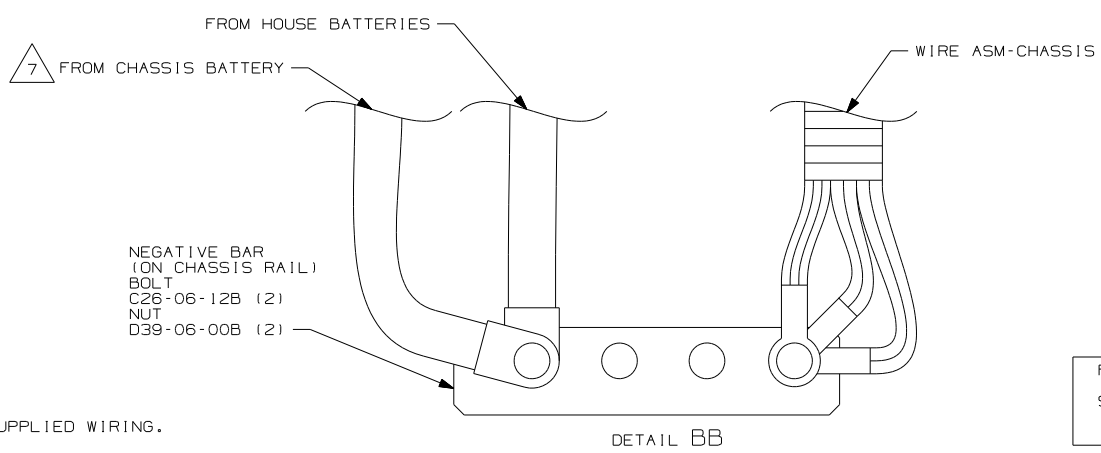
SHEET 1 of 4 PART NO. 152784

REF: 1 11/18/2005



- 15 SEE WIRING INSTL-BODY, 12V FOR ADDITIONAL INFORMATION.
 - 14 COIL UP EXCESS WIRE AND TIE BACK TO WIRE ASM WITH WIRE TIE 8343-02-000.
 - 13 LOCATION FOR 12V DROPS. BECAUSE THE WIRE HARNESS IS STANDARDIZED THE DROP MAY BE ROUTED TO ANOTHER LOCATION THAT CAN DIFFER FROM THE ORIGINAL DROP LOCATION.
 - 12 SECURE SO WIRES DO NOT CONTACT EXHAUST.
 - 11 ROUTE WIRES & CABLE OVER SPRING HANGER AT THIS POINT.
 - 10 USE TWO NUTS HERE TO ACCOUNT FOR BATTERY HEIGHT DIFFERENCE.
 - 9 LOCATE CHASSIS SUPPLIED RED WIRES TO ISOLATED STUD, CUT AND ADD TERMINALS 68070-01-000 (2) TO THE CUT ENDS.
 - 8 LOCATE CHASSIS SUPPLIED GROUND WIRES TO GROUND STUD, CUT AND ADD TERMINALS 8348-01-000 (2) TO THE CUT ENDS.
 - 7 SUPPLIED WITH CHASSIS.
 - 6 SEE WIRING INSTL-FRONT END FOR ADDITIONAL INFORMATION.
 - 5 ROUTE WIRES & CABLE INSIDE CHASSIS RAIL AT THIS POINT AND TO THE REAR.
 - 4 CLAMP 83610-02-000, SCREW G39-08-12B.
 - 3 CLAMP 83610-01-000, SCREW G39-08-12B.
2. SECURE CONDUIT 41953, TAB AS REQUIRED, OVER ALL WIRES IN CONTACT WITH SHARP EDGES.
1. LEGEND: — WINNEBAGO: - - - - - CABLE: - - - - - CHASSIS SUPPLIED WIRING.

NOTES:

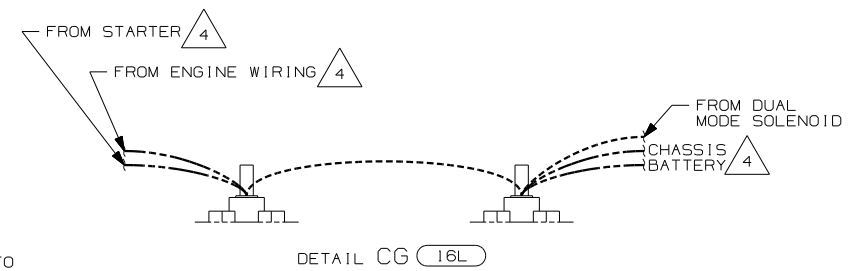
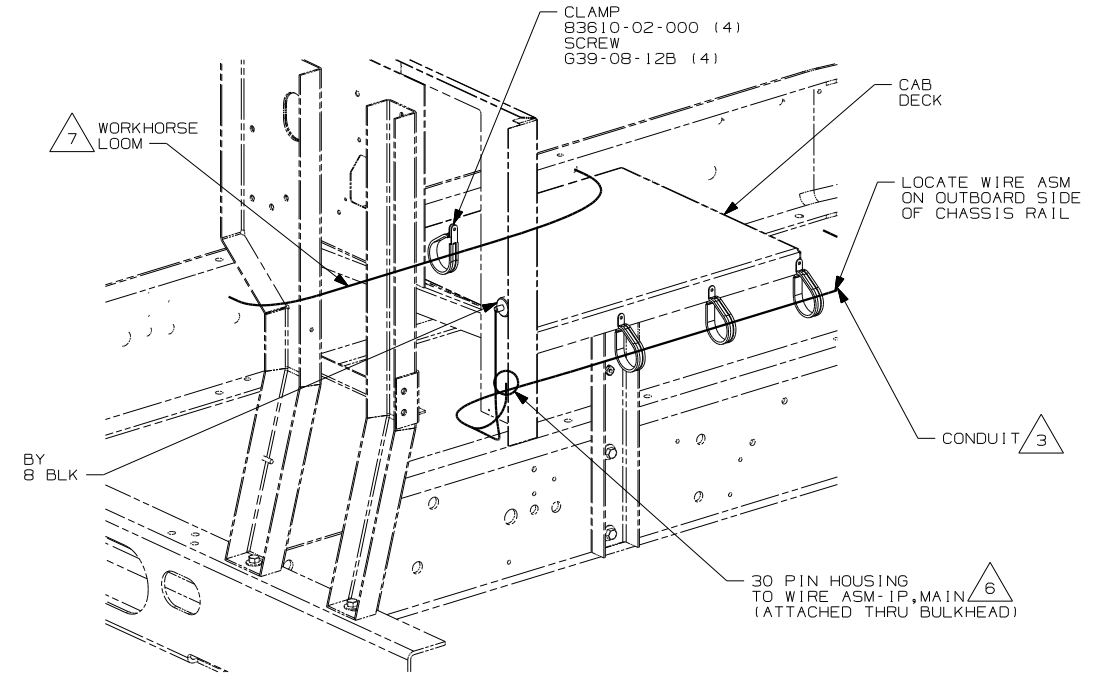
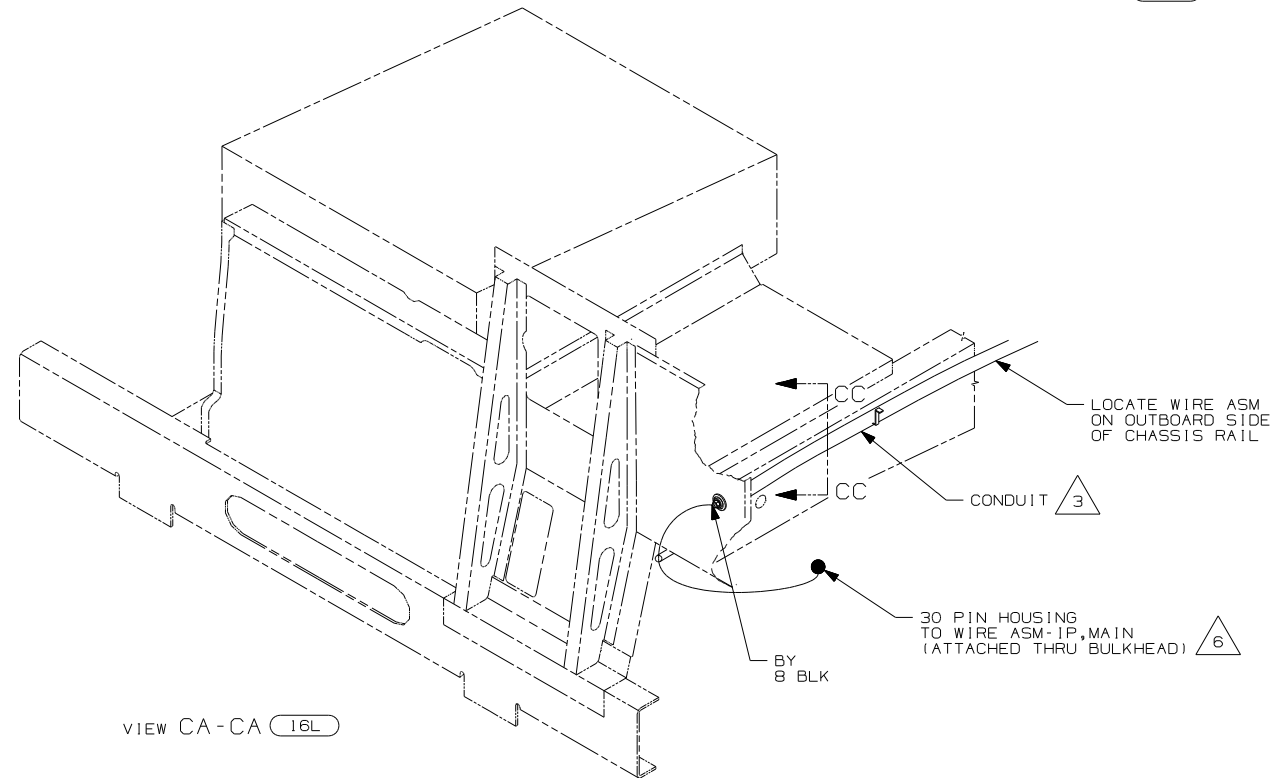
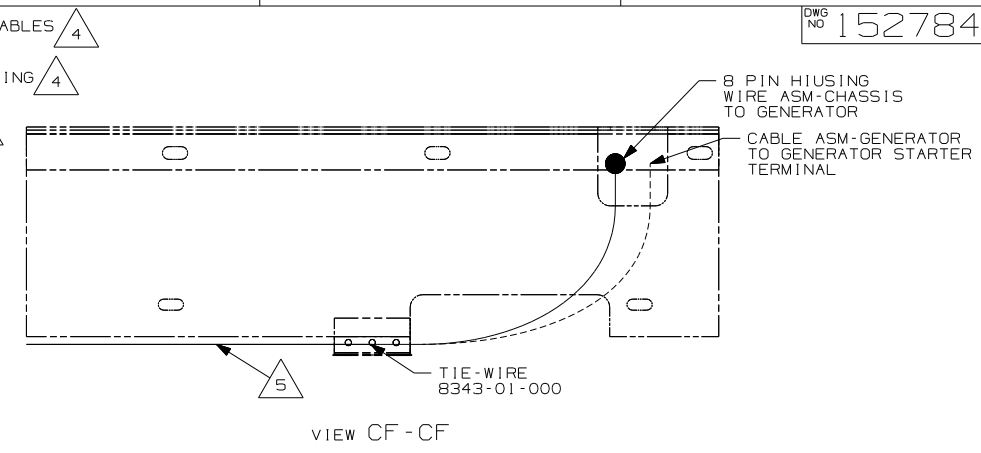
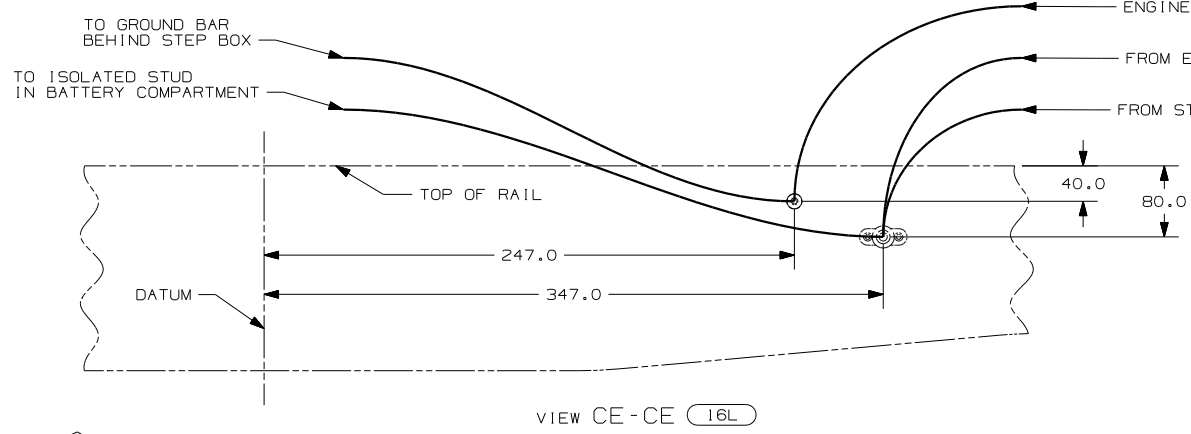


FOR ELECTRICAL TORQUE SPECIFICATIONS SEE DWG NO. 128783-01-000

FOR ELECTRICAL CALLOUTS SEE DWG NO. 121339-01-000

- (40D) INVERTER-DC/AC, 600 WATT
- (IPS) WORKHORSE 22,000#-22.5 TIRE
- (IPV) WORKHORSE 24,000#-22.5 TIRE
- (265) CODES/STANDARDS-CSA/CMVSS
- (1B1) CODES/STANDARDS USA

FIRST USED	06 G33V
TITLE	DO NOT SCALE DRAWING
TITLE	WIRING INSTL-CHASSIS
SHEET 2	PART NO 152784



- 7 CLAMP WORKHORSE ENGINE HARNESS TO CAB DECK TO PROTECT HARNESS FROM DAMAGE.
- 6 SEE WIRING INSTL-FRONT END FOR ADDITIONAL INFORMATION.
- 5 SECURE SO WIRES DO NOT CONTACT EXHAUST.
- 4 SUPPLIED WITH CHASSIS.
- 3 COVER WITH CONDUIT 41953-10-000 AND 41953-11-000 AS REQUIRED.

2. SECURE CONDUIT 41953, TAB AS REQUIRED, OVER ALL WIRES IN CONTACT WITH SHARP EDGES.

1. LEGEND: — WINNEBAGO: - - - - - CABLE: - - - - - CHASSIS SUPPLIED WIRING.

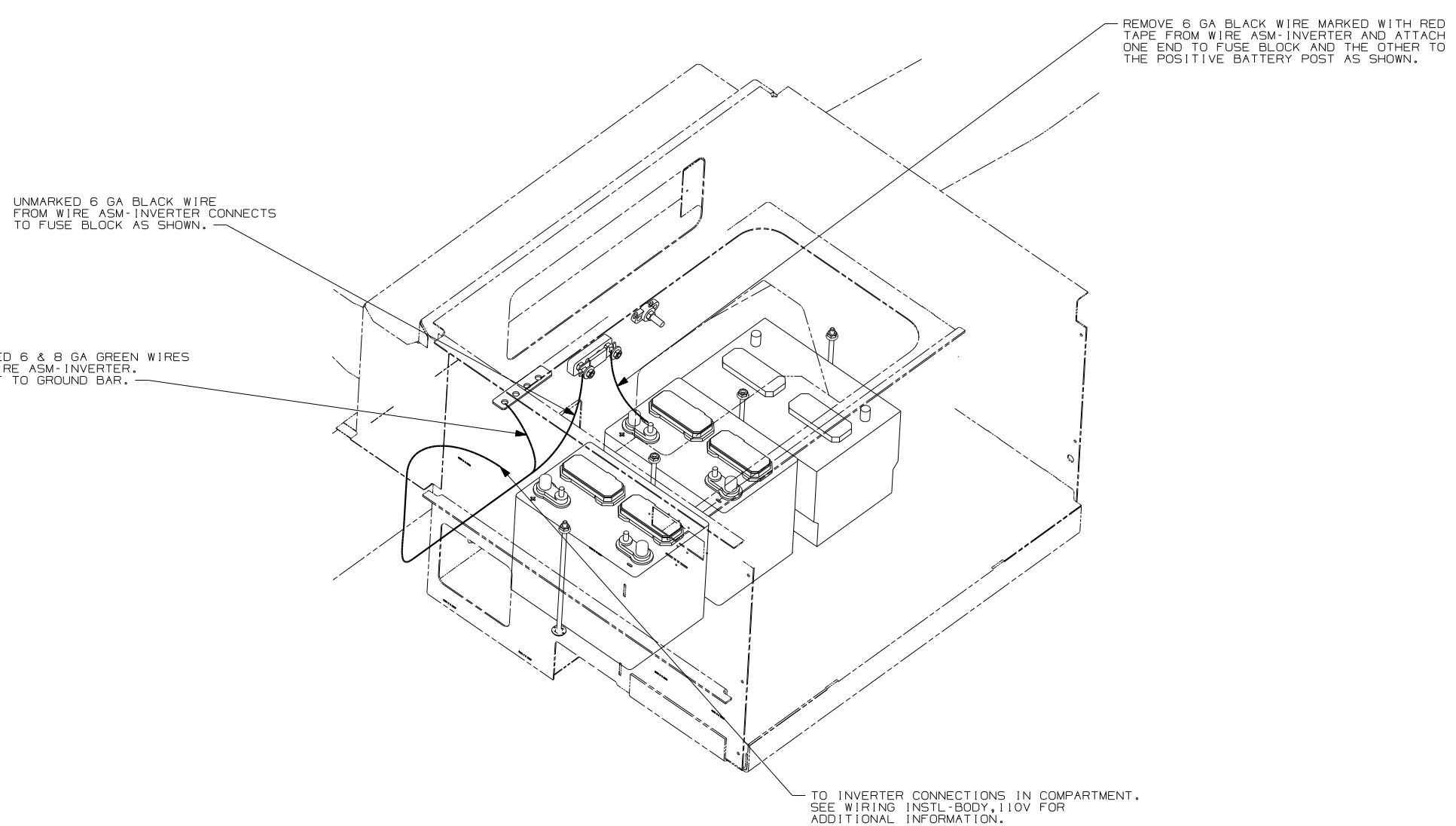
NOTES:

- (16L) FORD 22,000#-22.5 AL WHL
- (IPS) WORKHORSE 22,000#-22.5 TIRE
- (IPV) WORKHORSE 24,000#-22.5 TIRE
- (265) CODES/STANDARDS-CSA/CMVSS
- (1B1) CODES/STANDARDS USA

FOR ELECTRICAL TORQUE SPECIFICATIONS SEE DWG NO. 128783-01-000

FOR ELECTRICAL CALLOUTS SEE DWG NO. 121339-01-000

FIRST USED	06 G33V
TITLE	DO NOT SCALE DRAWING
	WIRING INSTL-CHASSIS
SHEET 3	PART NO 152784



VIEW DA (40D)

- (40D) INVERTER-DC/AC, 600 WATT
- (265) CODES/STANDARDS-CSA/CMVSS
- (1B1) CODES/STANDARDS USA

FIRST USED	
06 G33V	
DO NOT SCALE DRAWING	
TITLE:	
WIRING INSTL-CHASSIS	
SHEET 4	PART NO 152784

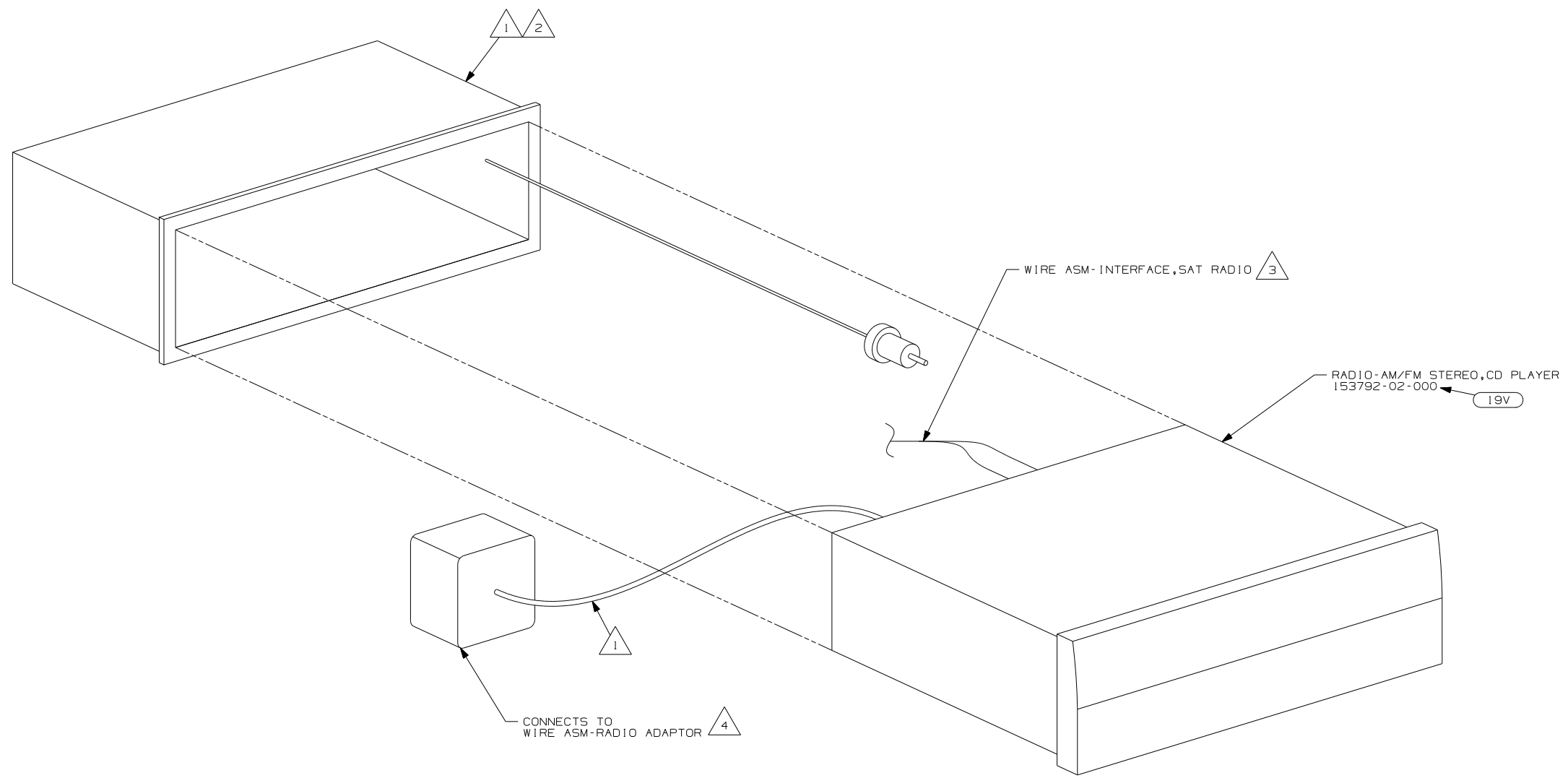
2. SECURE CONDUIT 41953, TAB AS REQUIRED, OVER ALL WIRES IN CONTACT WITH SHARP EDGES.

1. LEGEND: — WINNEBAGO: - - - - - CABLE: - - - - - CHASSIS SUPPLIED WIRING.

NOTES:

DRAWING NO.	SHEET	SERIES
151750-01	1	500
151750-02	2	300
151750-03	3	400
151750-04	4	700
151750-05	5	D
151750-06	6	F
151750-07	7	G
151750-08	8	P
151750-09	9	R&S
151750-10	10	3295B, 331SC, 331ST

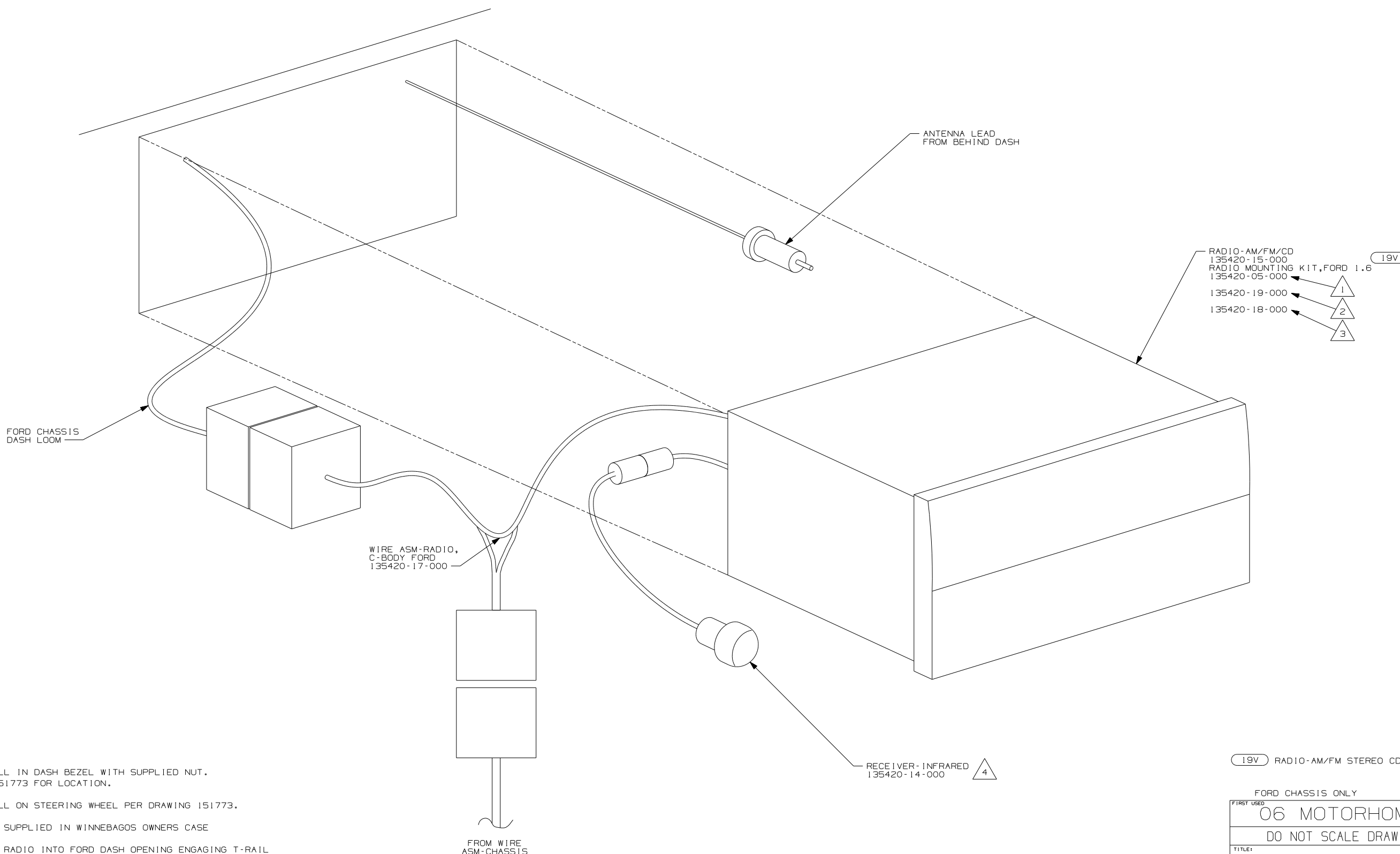
RELEASE	REV DATE	ORIG NO	151750
REV ZONE	REVISION RECORD	DATE	DFTR-ORIG



- NOTES:
- 4 SEE WIRING INSTL-CHASSIS FOR ADDITIONAL INFORMATION.
 - 3 TO SATELLITE RECEIVER. SEE ANTENNA INSTL-RADIO & CB FOR ADDITIONAL INFORMATION.
 - 2 BEND TABS ON ALL 4 SIDES TO SECURE MOUNTING BRACKET TO DASH OPENING.
 - 1 SUPPLIED WITH RADIO

19V RADIO-AM/FM STEREO CD PLAYER

WINNEBAGO		COPYRIGHT 2004 WINNEBAGO INDUSTRIES, INC.	
DFTR	ORIG. DATE	ALL DIMENSIONS ARE IN MILLIMETERS	
CHKR		FIRST USED	
P.E.		06 MOTORHOMES	
M.E.		UNSPECIFIED TOLERANCES ARE:	
DSNR		MATERIAL:	
		WHOLE DIM (X)	:
		ONE-PLACE (X.X)	:
		TWO-PLACE (X.XX)	:
		ANGLE	:
THIRD ANGLE PROJECTION			
DO NOT SCALE DRAWING			
TITLE: RADIO INSTL			
SHEET 1 OF 10		PART NO 151750	
REF:		1 9/9/2005	

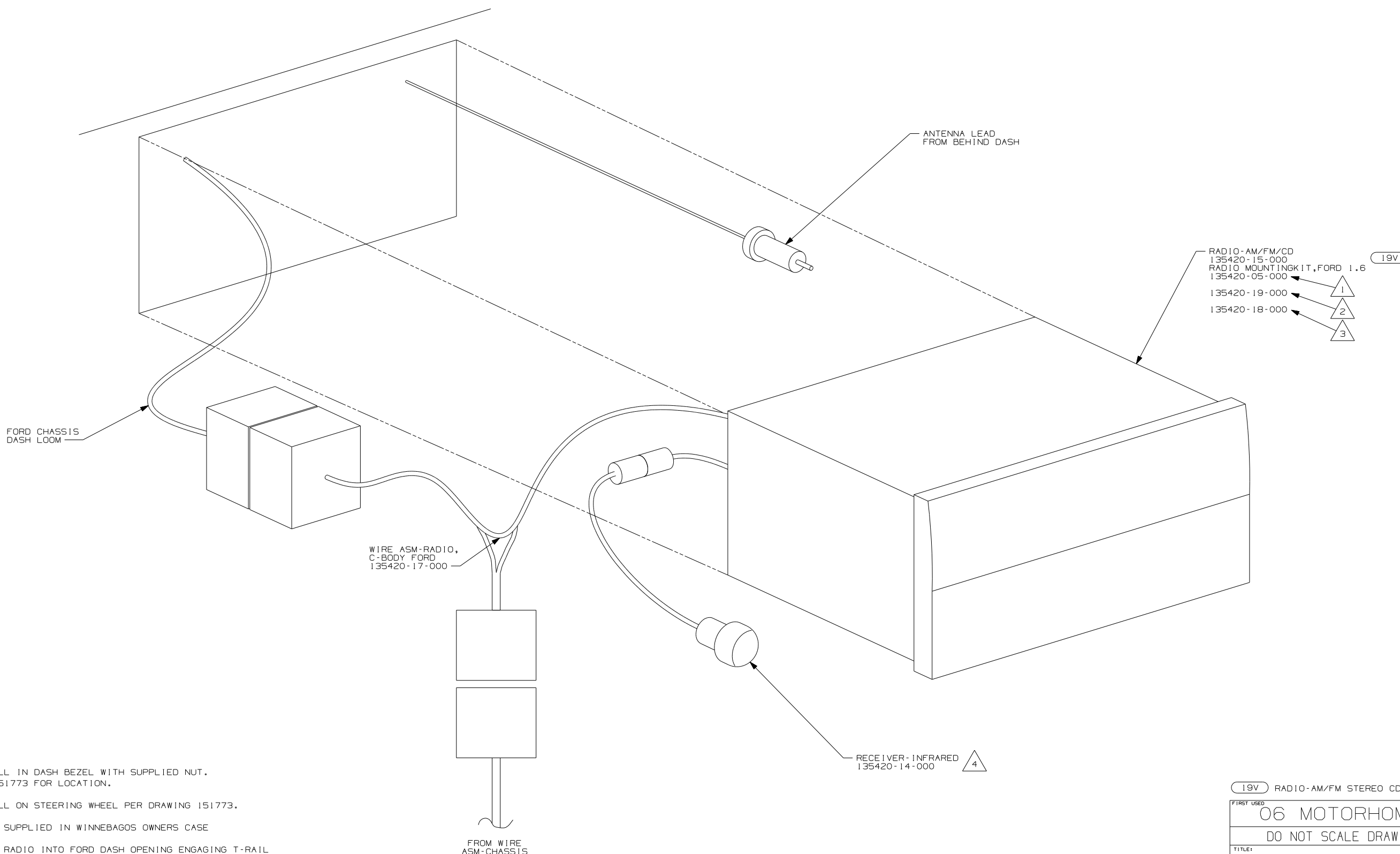


- 19V
- 1 RADIO-AM/FM/CD 135420-15-000
- 2 RADIO MOUNTING KIT, FORD 1.6 135420-05-000
- 3 135420-19-000
- 135420-18-000

- NOTES:
- 4 INSTALL IN DASH BEZEL WITH SUPPLIED NUT. SEE 151773 FOR LOCATION.
 - 3 INSTALL ON STEERING WHEEL PER DRAWING 151773.
 - 2 TO BE SUPPLIED IN WINNEBAGOS OWNERS CASE
 - 1 SLIDE RADIO INTO FORD DASH OPENING ENGAGING T-RAIL ON BOTTOM OF RADIO UNTIL LOCKED IN PLACE.

19V RADIO-AM/FM STEREO CD PLAYER

FORD CHASSIS ONLY	
FIRST USED	06 MOTORHOMES
DO NOT SCALE DRAWING	
TITLE:	RADIO INSTL
SHEET 2	PART NO 151750



- 19V
- RADIO - AM/FM/CD
135420-15-000
- RADIO MOUNTING KIT, FORD 1.6
135420-05-000
- 135420-19-000
- 135420-18-000

WIRE ASM-RADIO,
C-BODY FORD
135420-17-000

FORD CHASSIS
DASH LOOM

ANTENNA LEAD
FROM BEHIND DASH

RECEIVER - INFRARED
135420-14-000

FROM WIRE
ASM-CHASSIS

- NOTES:
- 4 INSTALL IN DASH BEZEL WITH SUPPLIED NUT. SEE 151773 FOR LOCATION.
 - 3 INSTALL ON STEERING WHEEL PER DRAWING 151773.
 - 2 TO BE SUPPLIED IN WINNEBAGOS OWNERS CASE
 - 1 SLIDE RADIO INTO FORD DASH OPENING ENGAGING T-RAIL ON BOTTOM OF RADIO UNTIL LOCKED IN PLACE.

19V RADIO-AM/FM STEREO CD PLAYER	
FIRST USED 06 MOTORHOMES	
DO NOT SCALE DRAWING	
TITLE: RADIO INSTL	
SHEET 3	PART NO 151750

FORD CHASSIS DASH LOOM

WIRE ASM-RADIO, C-BODY FORD 135420-17-000

ANTENNA LEAD FROM BEHIND DASH

RECEIVER - INFRARED 135420-14-000

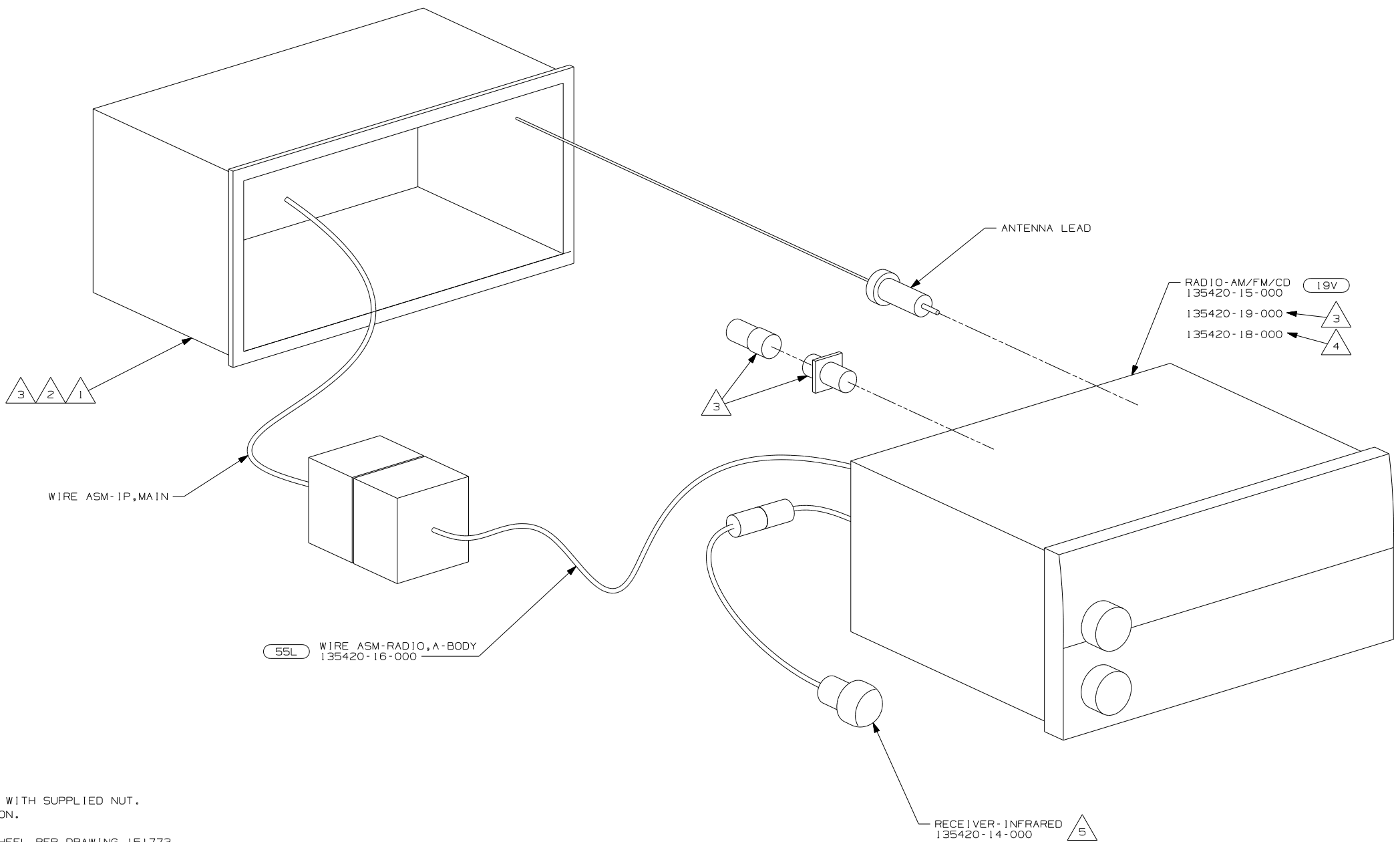
RADIO-AM/FM/CD COMBO
 135420-15-000
 RADIO MOUNTING KIT, FORD 1.6
 135420-05-000
 135420-19-000
 135420-18-000

19V

FROM WIRE ASM-CHASSIS

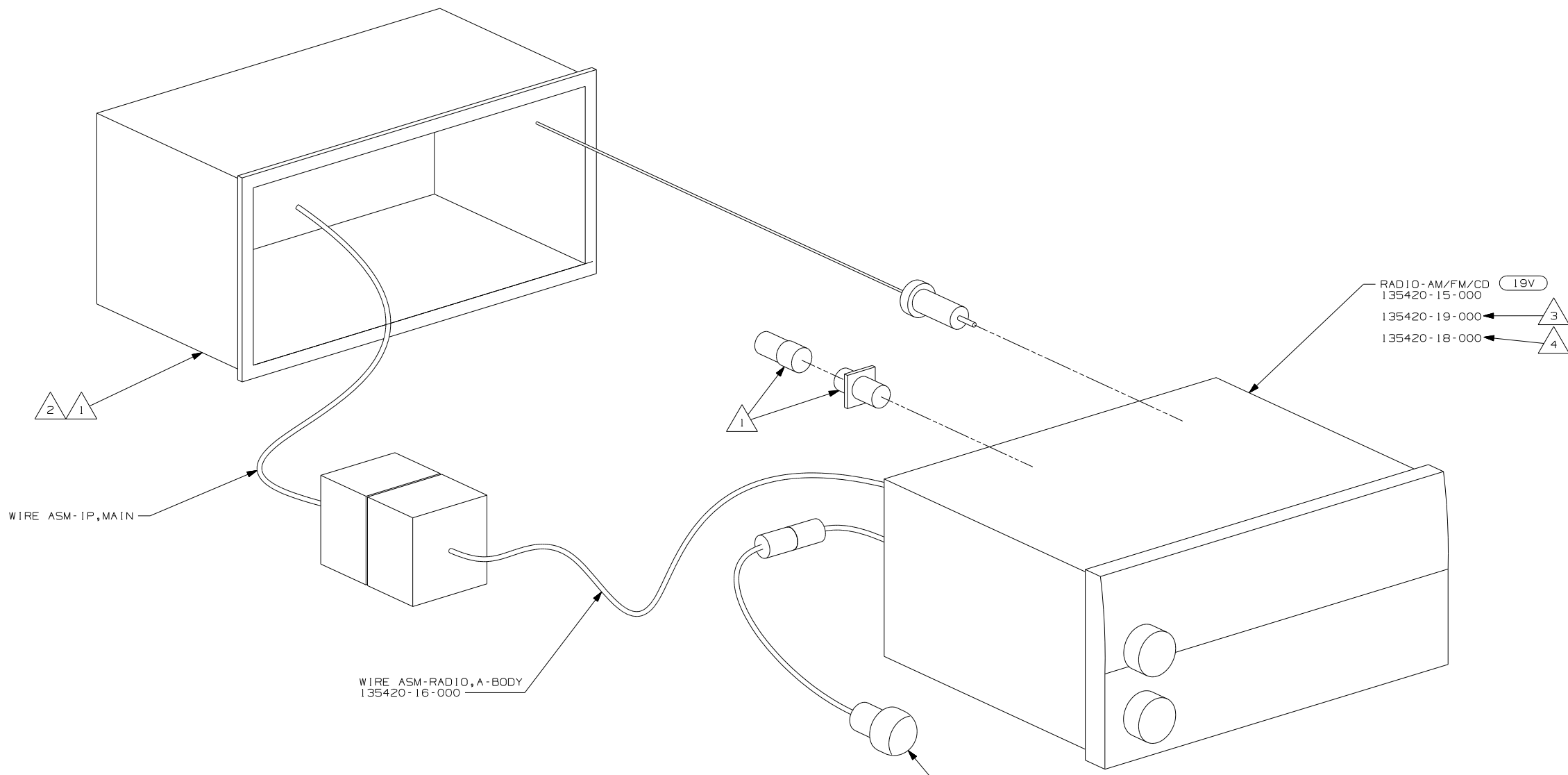
- NOTES:
- 4 INSTALL IN DASH BEZEL WITH SUPPLIED NUT. SEE 151773 FOR LOCATION.
 - 3 INSTALL ON STEERING WHEEL PER DRAWING 151773.
 - 2 TO BE SUPPLIED IN WINNEBAGOS OWNERS CASE
 - 1 SLIDE RADIO INTO FORD DASH OPENING ENGAGING T-RAIL ON BOTTOM OF RADIO UNTIL LOCKED IN PLACE.

19V RADIO-AM/FM STEREO CD PLAYER	
FIRST USED 06 MOTORHOMES	
DO NOT SCALE DRAWING	
TITLE: RADIO INSTL	
SHEET 4	PART NO 151750



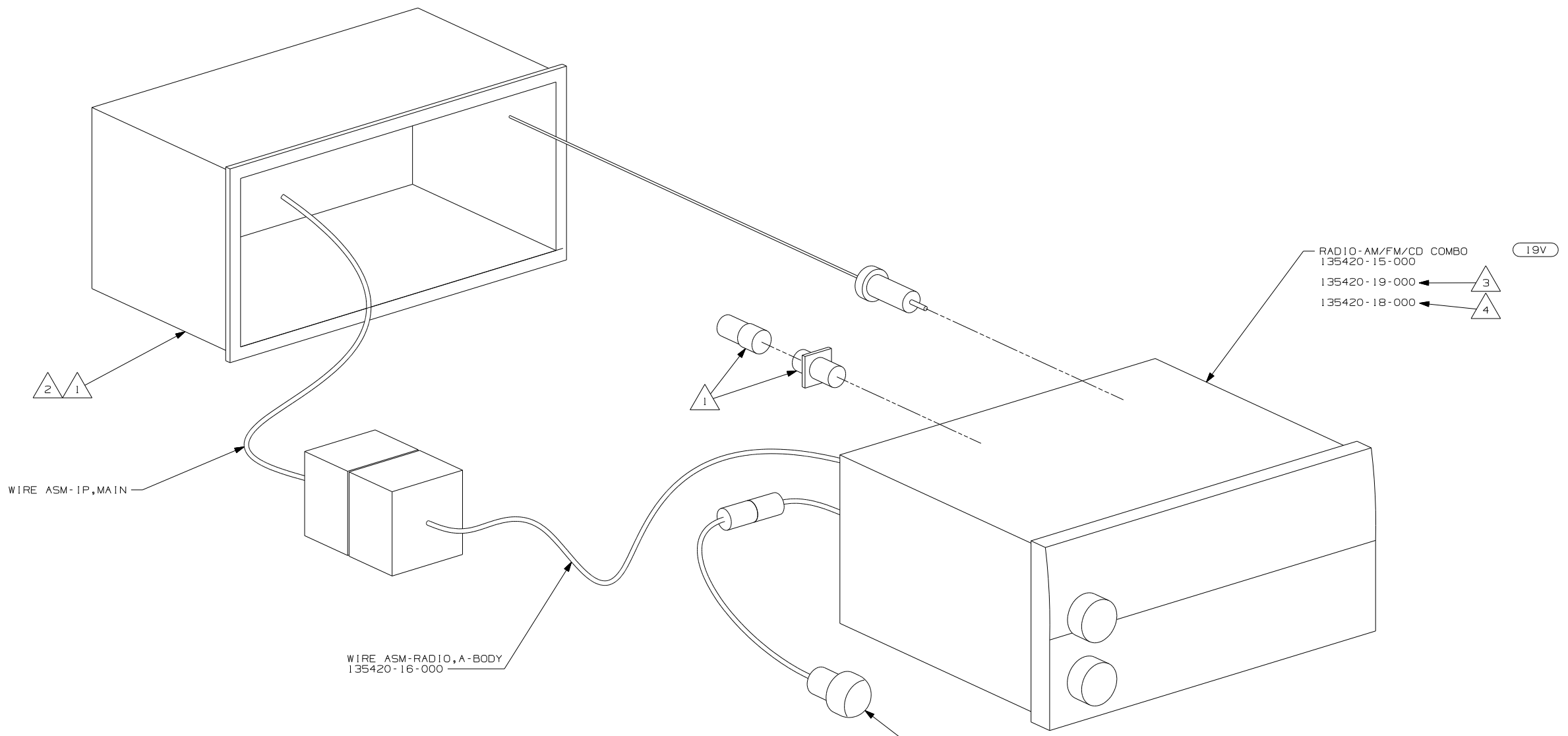
- NOTES:
- 5 INSTALL IN DASH BEZEL WITH SUPPLIED NUT. SEE 151773 FOR LOCATION.
 - 4 INSTALL ON STEERING WHEEL PER DRAWING 151773.
 - 3 TO BE SUPPLIED IN WINNEBAGOS OWNERS CASE
 - 2 BEND TABS ON ALL 4 SIDES TO SECURE MOUNTING BRACKET TO DASH OPENING.
 - 1 SUPPLIED WITH MOUNTING KIT 135420-07-000

19V RADIO-AM/FM STEREO CD PLAYER	
FIRST USED 06 MOTORHOMES	
DO NOT SCALE DRAWING	
TITLE: RADIO INSTL	
SHEET 5	PART NO 151750



- NOTES:
- 5 INSTALL IN DASH BEZEL WITH SUPPLIED NUT. SEE 151773 FOR LOCATION.
 - 4 INSTALL ON STEERING WHEEL PER DRAWING 151773.
 - 3 TO BE SUPPLIED IN WINNEBAGOS OWNERS CASE
 - 2 BEND TABS ON ALL 4 SIDES TO SECURE MOUNTING BRACKET TO DASH OPENING.
 - 1 SUPPLIED WITH MOUNTING KIT 135420-07-000.

19V RADIO-AM/FM STEREO CD PLAYER	
FIRST USED 06 MOTORHOMES	
DO NOT SCALE DRAWING	
TITLE: RADIO INSTL	
SHEET 6	PART NO 151750

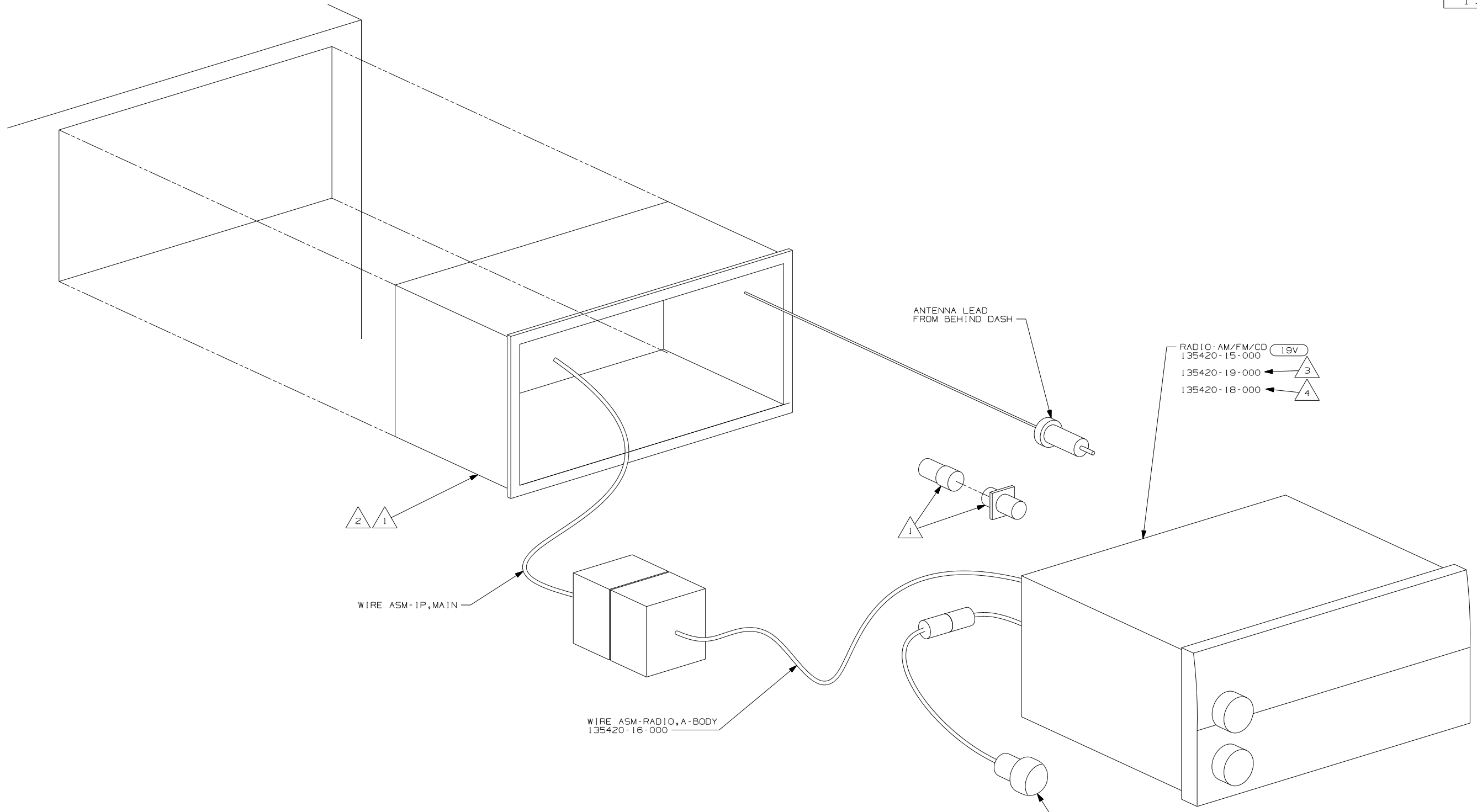


- NOTES:
- 5 INSTALL IN DASH BEZEL WITH SUPPLIED NUT. SEE 151773 FOR LOCATION.
 - 4 INSTALL ON STEERING WHEEL PER DRAWING 151773.
 - 3 TO BE SUPPLIED IN WINNEBAGOS OWNERS CASE
 - 2 BEND TABS ON ALL 4 SIDES TO SECURE MOUNTING BRACKET TO DASH OPENING.
 - 1 SUPPLIED WITH MOUNTING KIT 135420-07-000.

RECEIVER-INFRARED
135420-14-000

19V
RADIO-AM/FM/CD COMBO
135420-15-000
135420-19-000
135420-18-000

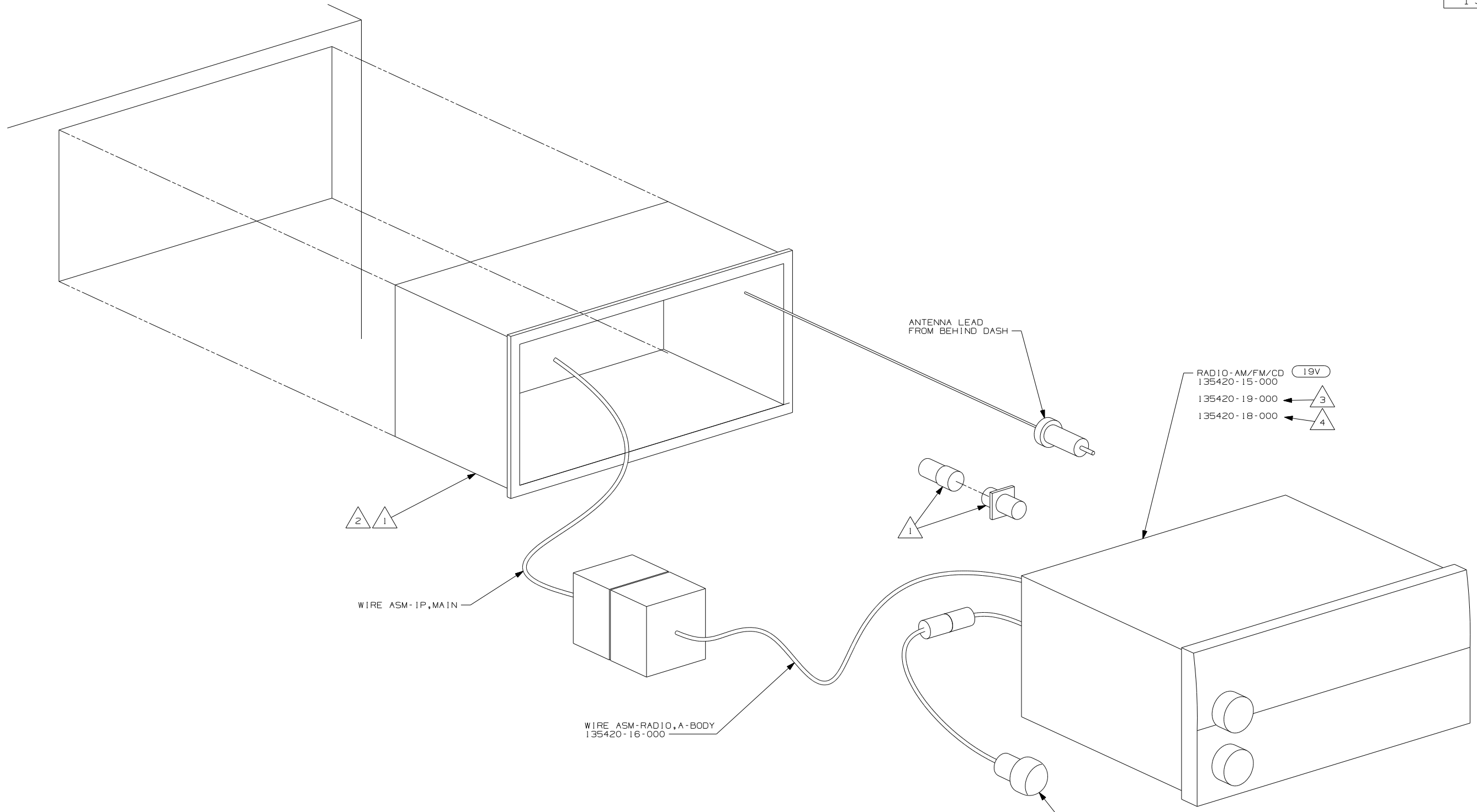
19V RADIO-AM/FM STEREO CD PLAYER	
FIRST USED 06 MOTORHOMES	
DO NOT SCALE DRAWING	
TITLE: RADIO INSTL	
SHEET 7	PART NO 151750



- 5 INSTALL IN DASH BEZEL WITH SUPPLIED NUT. SEE 151773 FOR LOCATION.
- 4 INSTALL ON STEERING WHEEL PER DRAWING 151773.
- 3 TO BE SUPPLIED IN WINNEBAGOS OWNERS CASE
- 2 BEND TABS ON ALL 4 SIDES TO SECURE MOUNTING BRACKET TO DASH OPENING.
- 1 SUPPLIED WITH MOUNTING KIT 135420-07-000.

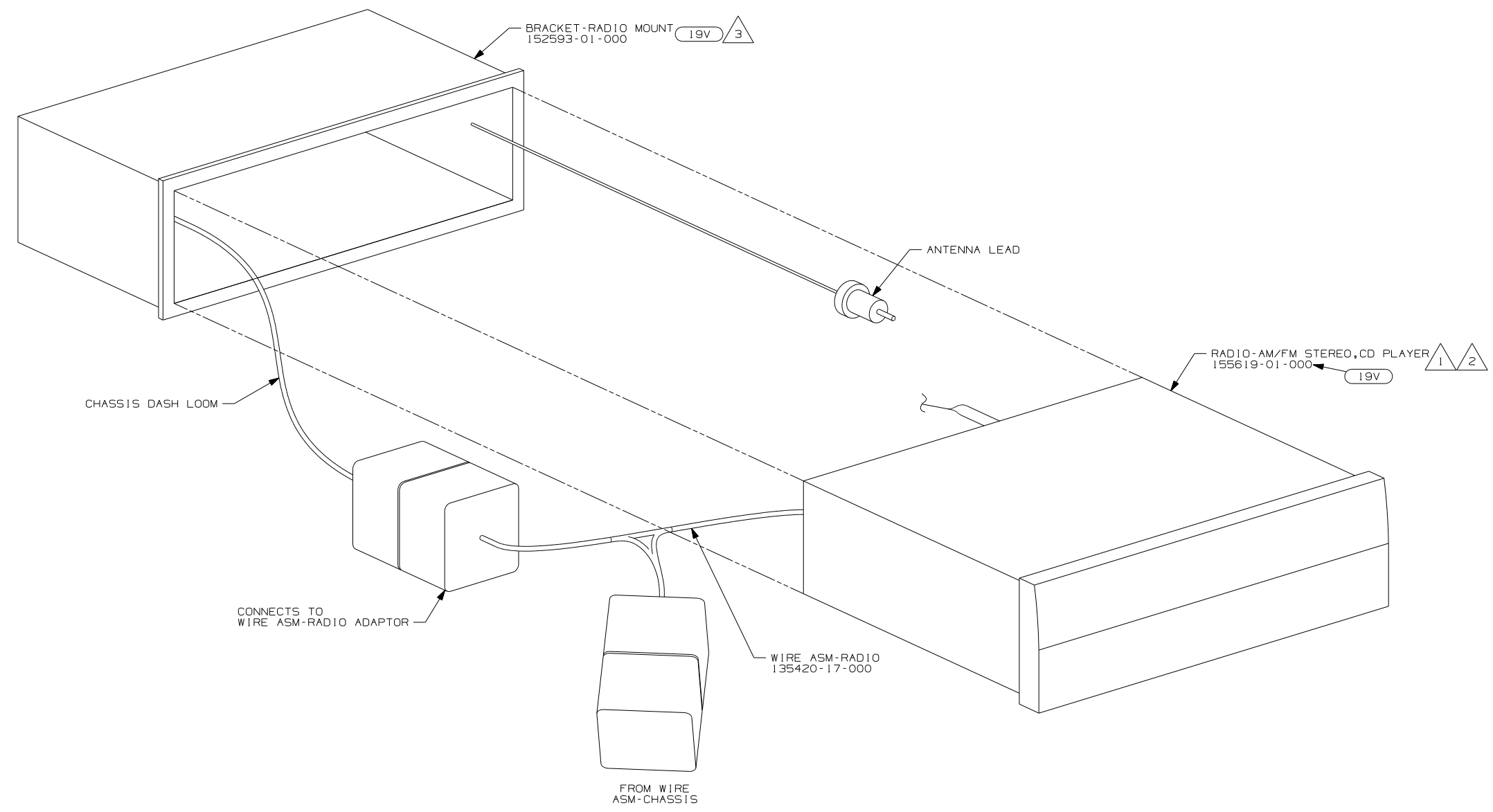
NOTES:

19V RADIO-AM/FM STEREO CD PLAYER	
FIRST USED	06 MOTORHOMES
DO NOT SCALE DRAWING	
TITLE:	RADIO INSTL
SHEET 8	PART NO 151750



- NOTES:
- 5 INSTALL IN DASH BEZEL WITH SUPPLIED NUT. SEE 151773 FOR LOCATION.
 - 4 INSTALL ON STEERING WHEEL PER DRAWING 151773.
 - 3 TO BE SUPPLIED IN WINNEBAGOS OWNERS CASE
 - 2 BEND TABS ON ALL 4 SIDES TO SECURE MOUNTING BRACKET TO DASH OPENING.
 - 1 SUPPLIED WITH MOUNTING KIT 135420-07-000.

19V	RADIO-AM/FM STEREO CD PLAYER
FIRST USED	06 MOTORHOMES
TITLE:	DO NOT SCALE DRAWING
SHEET 9	PART NO 151750



- NOTES:
- 3 INSTALL REAR RADIO SUPPORT BRACKET, ENGAGING T-RAIL ON BOTTOM OF RADIO UNTIL LOCKED IN PLACE.
 - 2 BEND TABS ON ALL 4 SIDES TO SECURE MOUNTING BRACKET TO DASH OPENING.
 - 1 CREDIT CARD REMOTE SUPPLIED WITH RADIO IS TO BE INCLUDED IN OWNER'S INFO CASE.

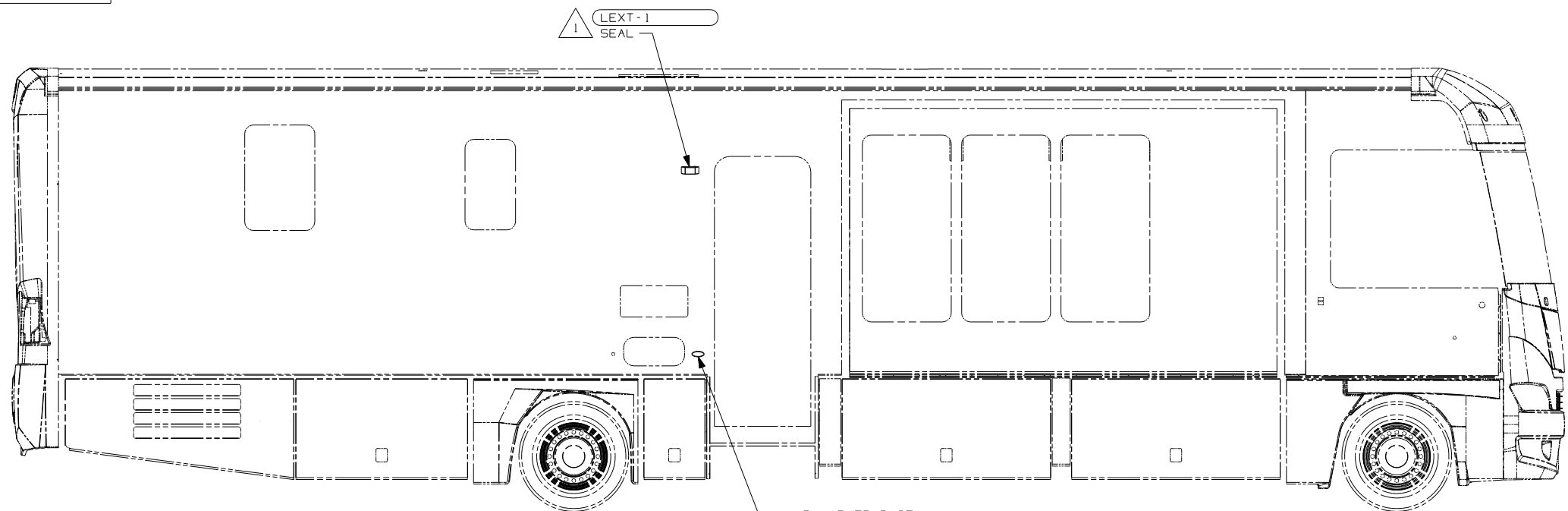
FOR ELECTRICAL CALLOUTS SEE DWG NO. 121339-01-000

19V RADIO-AM/FM STEREO CD PLAYER

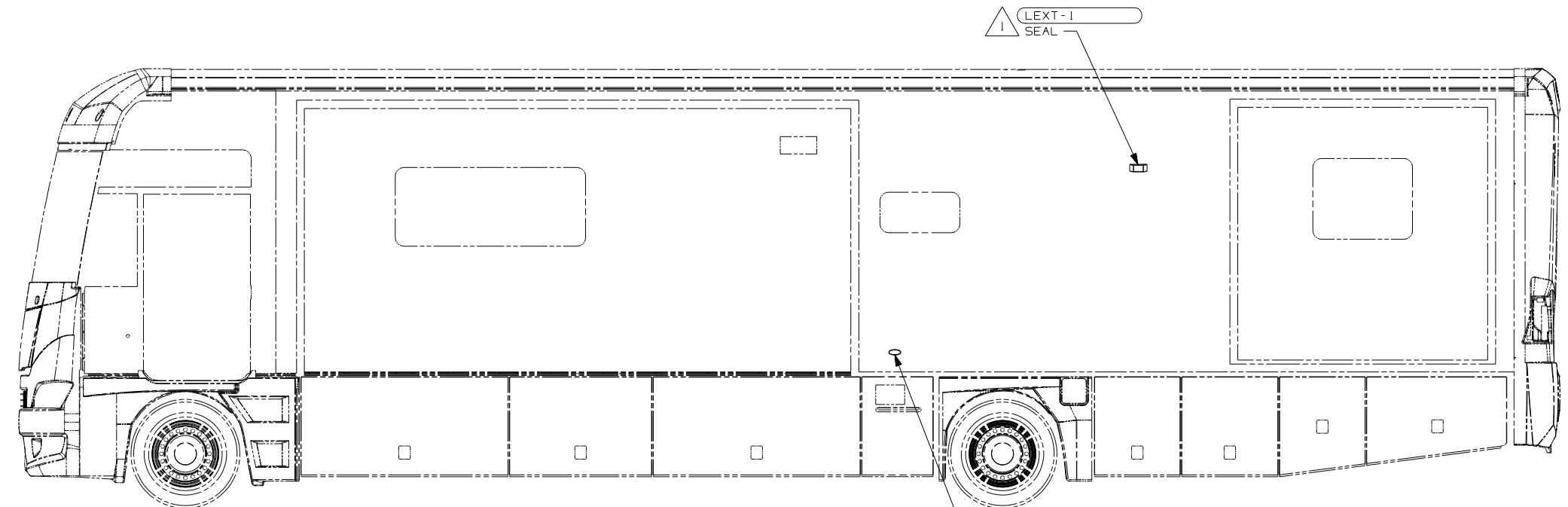
FIRST USED	
06 MOTORHOMES	
DO NOT SCALE DRAWING	
TITLE: RADIO INSTL	
SHEET 10	PART NO 151750

DRAWING NO.	FEATURE
152105-01	(WIN)
152105-02	(ITA)

RELEASE	REV/DATE	DWG NO
A		152105
REV ZONE	REVISION RECORD	DATE DFR-016



LAMP-MARKER, BASE
147680-01-CHT
LAMP-MARKER, LENS, AMBER
147680-02-CHT
SCREW
G11-08-12U (EXT) (2)



LAMP-MARKER, BASE
147680-01-CHT
LAMP-MARKER, LENS, AMBER
147680-02-CHT
SCREW
G11-08-12U (EXT) (2)

- (ITA) ITASCA ONLY
 - (WIN) WINNEBAGO ONLY
 - (265) CODES/STANDARDS-CSA/CMVSS
 - (1B1) CODES/STANDARDS USA
- (1B1) (265)

WINNEBAGO COPYRIGHT 2004 WINNEBAGO INDUSTRIES, INC.

DFTR	ORIG. DATE
CHKR	ALL DIMENSIONS ARE IN MILLIMETERS
P.E.	
M.E.	FIRST USED
DSNR	06 G-SERIES

UNSPECIFIED TOLERANCES ARE: MATERIAL:

WHOLE DIM (X)	: 3
ONE-PLACE (X.X)	: 1.5
TWO-PLACE (X.XX)	: 0.50
ANGLE	: 1°

THIRD ANGLE PROJECTION

FOR ELECTRICAL TORQUE SPECIFICATIONS SEE DWG NO. 128783-01-000

(X-X) FOR ELECTRICAL CALLOUTS SEE DWG NO. 121339-01-000

DO NOT SCALE DRAWING

TITLE: WIRING INSTL-EXTERIOR LAMPS

SHEET 1 of 5 PART NO 152105

REF: 1 6/29/2005

NOTES:
1 NOT USED ON SHELLS.

LAMP ASM-MARKER, BASE
147680-01-CHT (5)
LAMP ASM-MARKER, LENS, AMBER
147680-02-CHT (5)
SCREW
G11-08-12U (EXT) (10)

WIRE ASM-CLEARANCE LAMPS
129943-01-000

2 PIN HOUSING TO
WIRE ASM-IP, MAIN

LAMP ASM-STOP/
TR/TAIL/BU LH
154206-02-000
154206-04-000
SOCKET-LAMP
112709-02-000
SOCKET-LAMP
112709-03-000
BULB
112707-01-000
BULB
112708-01-000
BRACKET ASM-
TAILLAMP, LAMP, LH
152628-04-CHT
BOLT
C12-04-10U (3)
SCREW
G39-08-12U (2)

LAMP-LICENSE PLATE
87201-01-000 (2)
SCREW
G11-06-12U (EXT) (4)

WIRE ASM-HEADLAMP, FD
141678-11-000
WIRE ASM-HEADLAMP, FD
141678-12-000
WIRE ASM-HEADLAMP, WH
141678-13-000
WIRE ASM-HEADLAMP, WH
141678-14-000

LAMP ASM-MARKER, BASE
147680-01-CHT (5)
LAMP ASM-MARKER, LENS, RED
147680-03-CHT (5)
SCREW
G11-08-08B (EXT) (10)

LIGHT-THIRD BRAKE, LED
151076-01-000 (2)
SCREW
G39-06-16T (4)

WIRE ASM-TAILLAMPS
141695-03-000
141695-04-000

LAMP ASM-STOP/
TR/TAIL/BU RH
154206-01-000
154206-03-000
SOCKET-LAMP
112709-02-000
SOCKET-LAMP
112709-03-000
BULB
112707-01-000
BULB
112708-01-000
BRACKET ASM-
TAILLAMP, LAMP, RH
152628-02-CHT
BOLT
C12-04-10U (3)
SCREW
G39-08-12U (2)

CONNECTOR-SOCKET, TRAILER 4

- (57M) LAMPS-FOG
- (240) TRAILER HITCH
- (1PS) WORKHORSE 22,000#-22.5 TIRE
- (1PV) WORKHORSE 24,000#-22.5 TIRE
- (16L) FORD 22,000#-22.5 AL WHL
- (1TA) ITASCA ONLY
- (WIN) WINNEBAGO ONLY
- (265) CODES/STANDARDS-CSA/CMVSS
- (1B1) CODES/STANDARDS USA

4 CONNECTOR-PLUG, TRAILER 146246-01-000 TO BE SUPPLIED LOOSE IN COACH WITH (240)

3. SECURE WIRE ASM APPROX. EVERY 450MM TO BATTERY CABLES AND BRACKETS. USE TIE-WIRE 8343-01-000 OR 93147-01-000 AS APPROPRIATE.
2. CLEAN PAINT OFF METAL (BOLT) BEFORE CONNECTING GROUND TO INSURE CONTACT. ALSO MOUNT CHASSIS SUPPLIED HORN TO GROUND BOLT.
1. GATHER ALL EXCESS WIRE AFTER MAKING ALL CONNECTIONS AND BUNDLE AND SECURE WITH TIE-WIRE 8343-01-000 OR 93147-01-000.

NOTES:

FOR ELECTRICAL TORQUE SPECIFICATIONS SEE DWG NO. 128783-01-000

FOR ELECTRICAL CALLOUTS SEE DWG NO. 121339-01-000

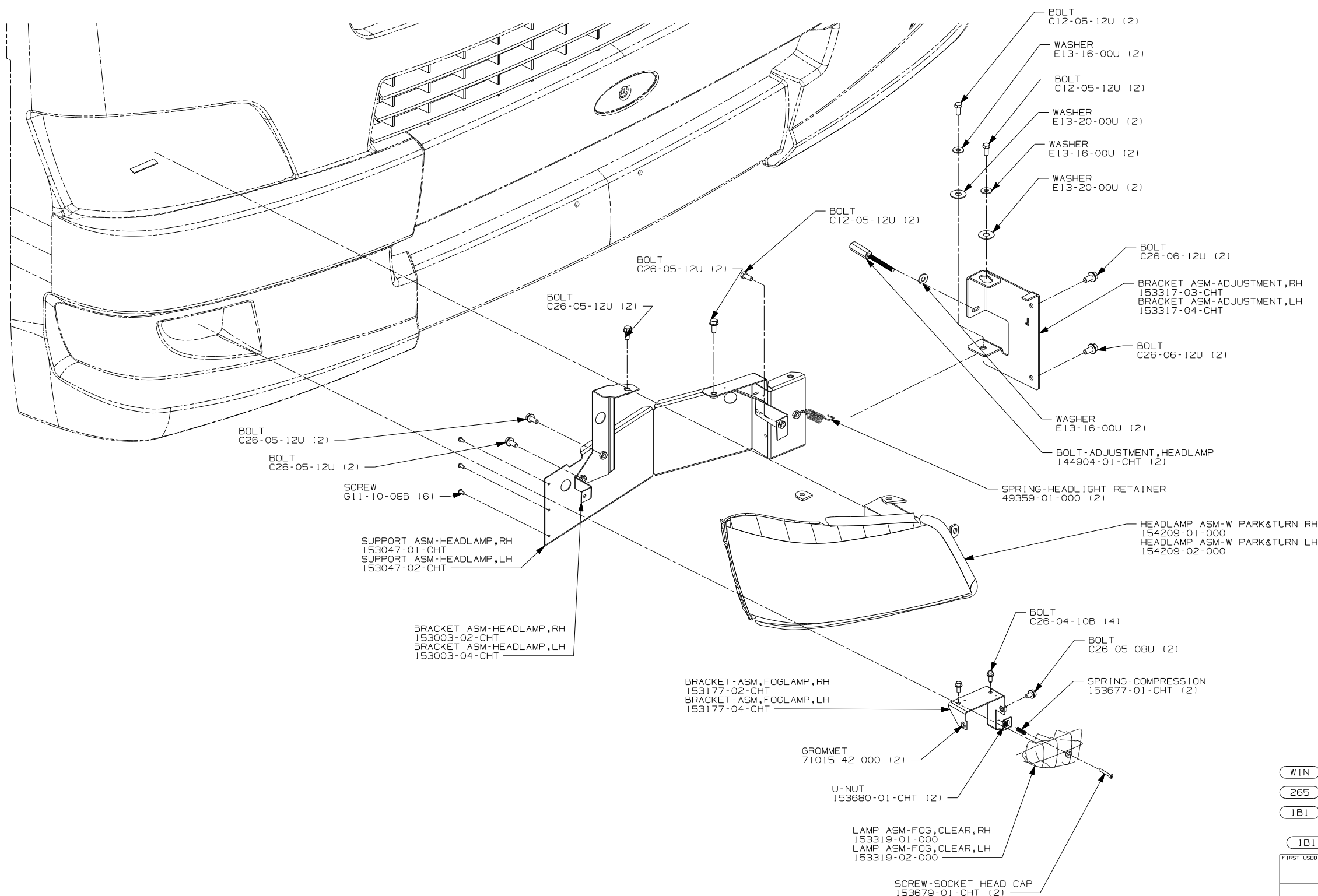
FIRST USED

06 G-SERIES

DO NOT SCALE DRAWING

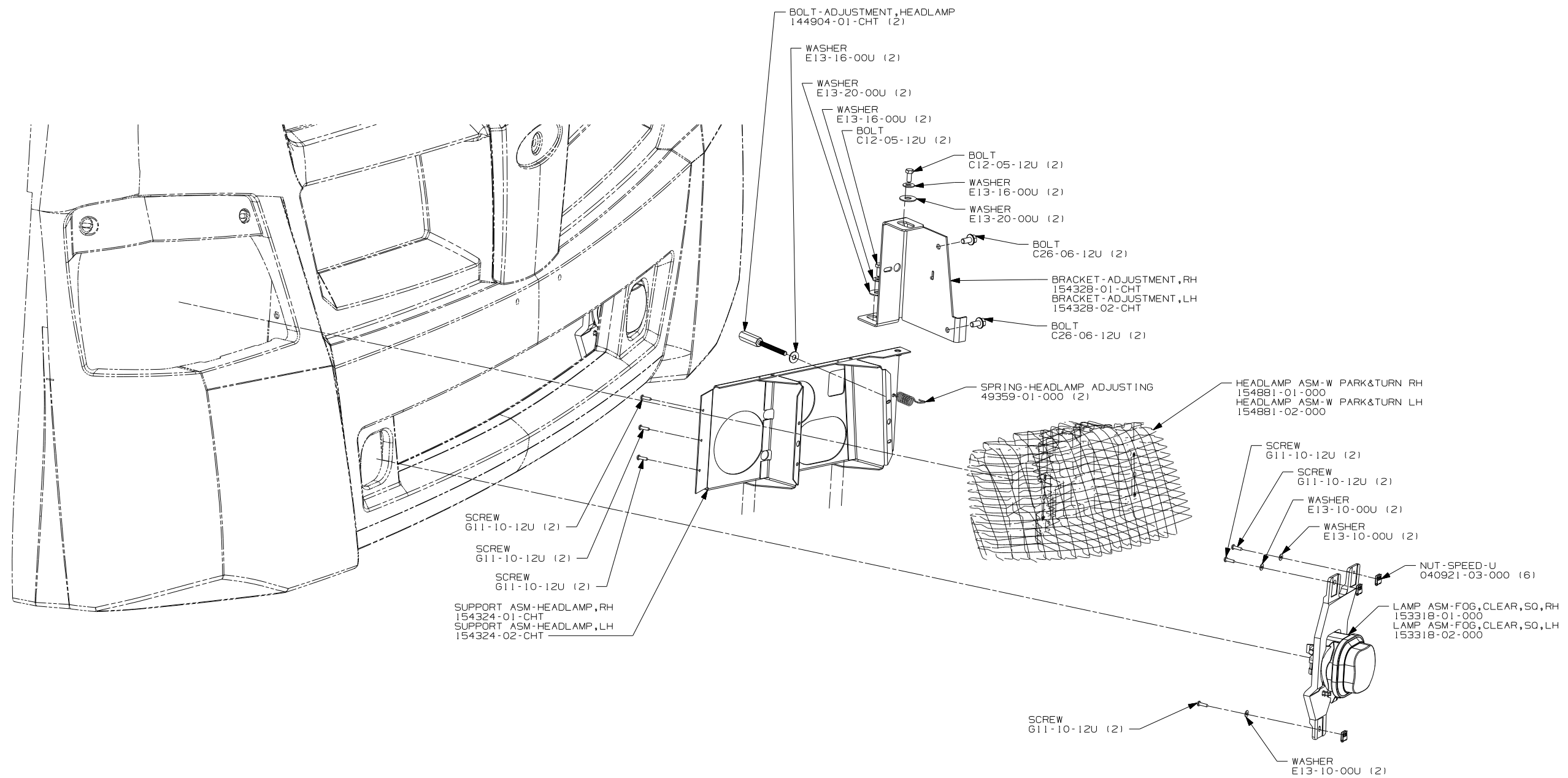
TITLE: WIRING INSTL-EXTERIOR LAMPS

SHEET 2 PART NO 152105



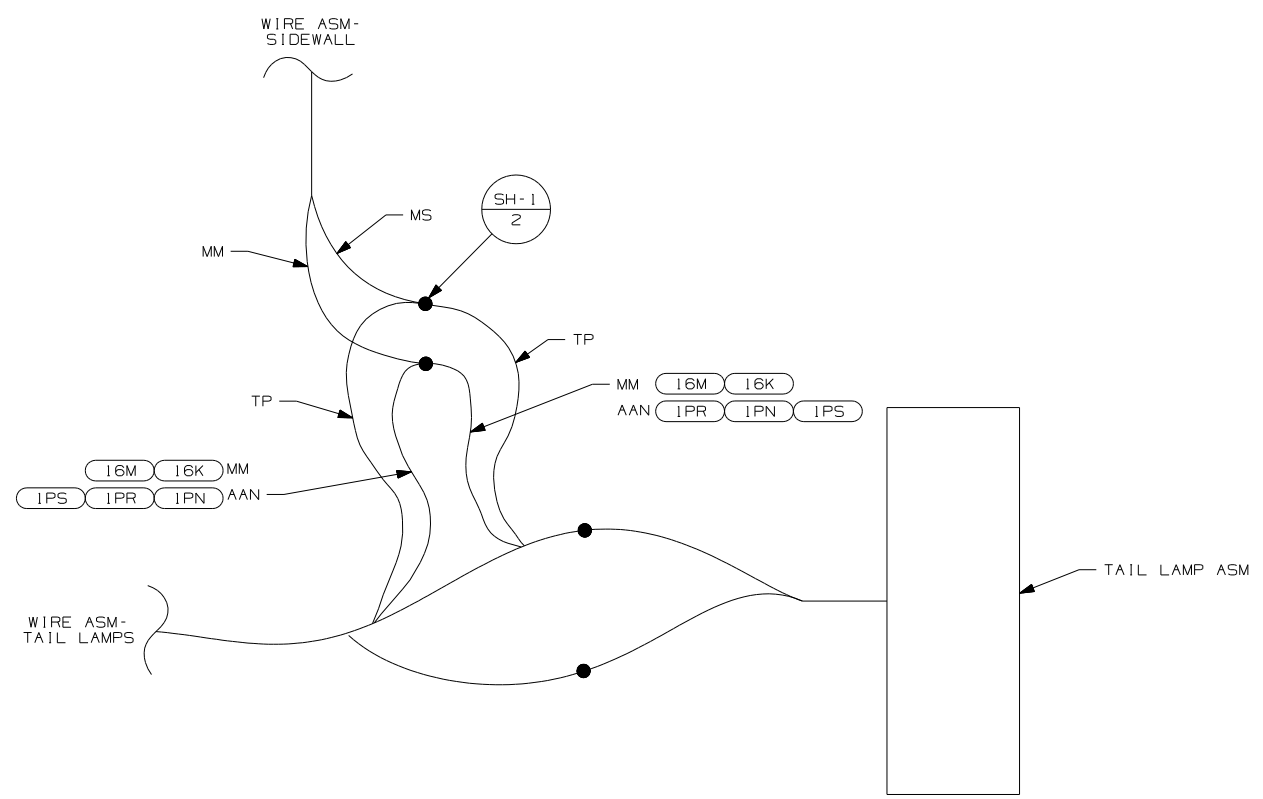
- (WIN) WINNEBAGO ONLY
- (265) CODES/STANDARDS-CSA/CMVSS
- (1B1) CODES/STANDARDS USA

FIRST USED	
06 G-SERIES	
DO NOT SCALE DRAWING	
TITLE:	
WIRING INSTL-EXTERIOR LAMPS	
SHEET 3	PART NO 152105

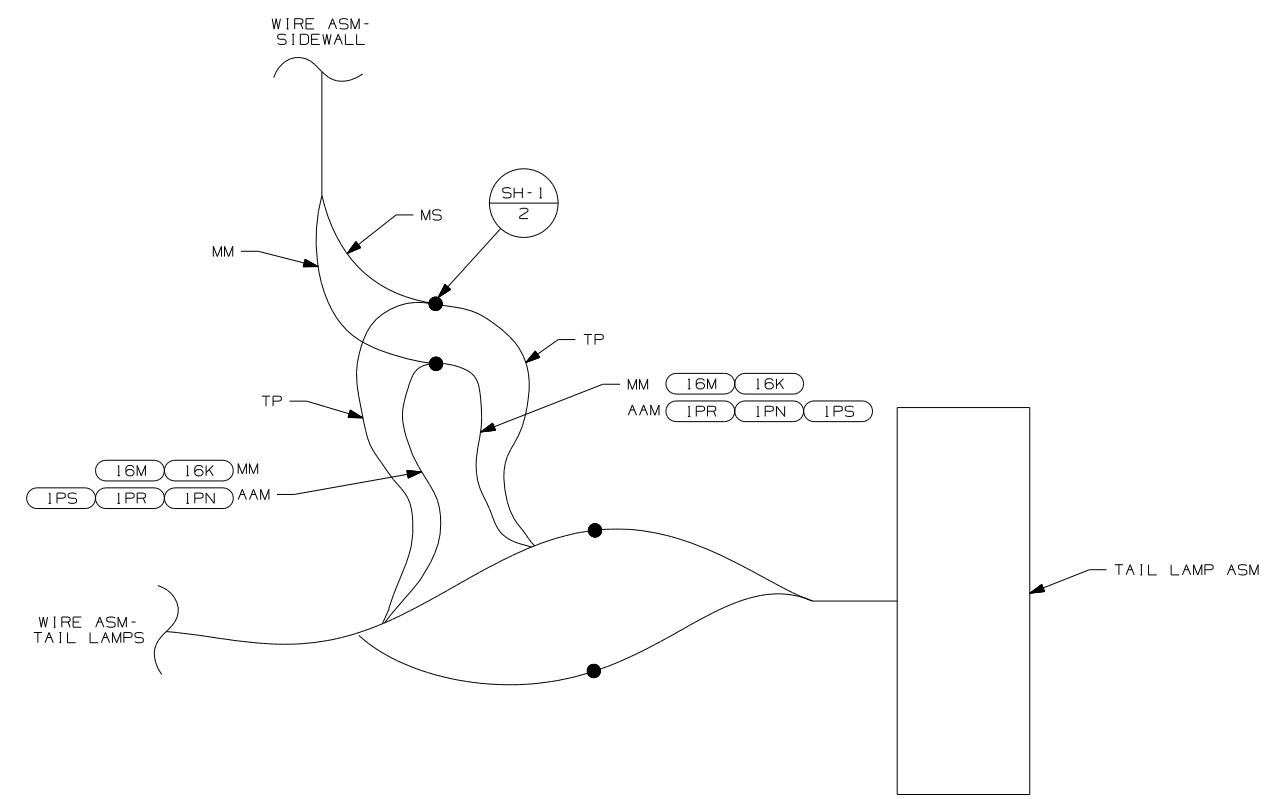


(ITA) ITASCA ONLY
 (265) CODES/STANDARDS-CSA/CMVSS
 (IBI) CODES/STANDARDS USA

(IBI) (265) (ITA)	
FIRST USED 06 G-SERIES	
DO NOT SCALE DRAWING	
TITLE: WIRING INSTL-EXTERIOR LAMPS	
SHEET 4	PART NO 152105



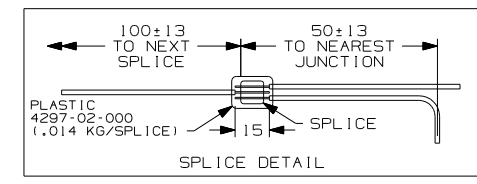
DETAIL EA (SHELLS ONLY) 1



DETAIL EB (SHELLS ONLY) 1

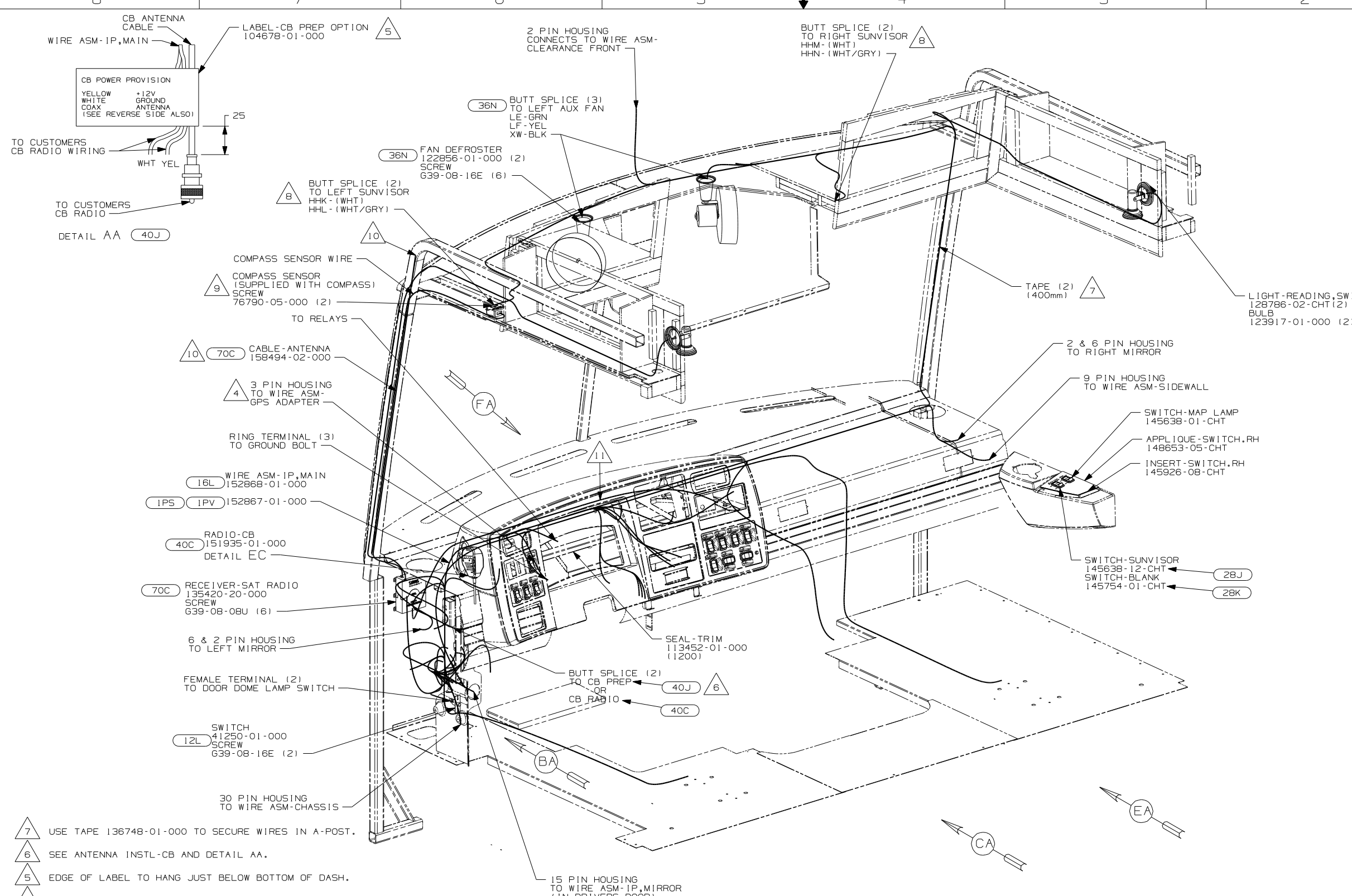
- 1PS WORKHORSE 22,000# - 22.5 TIRE
- 1PR WORKHORSE 22,000# - 19.5 TIRE
- 1PN WORKHORSE 20,700#
- 16M FORD CHASSIS 20,500#/V10 ENG
- 16K FORD CHASSIS 22,000
- 265 CODES/STANDARDS-CSA/CMVSS
- 1B1 CODES/STANDARDS USA

1B1 265	
FIRST USED	
06 G-SERIES	
DO NOT SCALE DRAWING	
TITLE:	
WIRING INSTL-EXTERIOR LAMPS	
SHEET 5	PART NO 152105



FOR ELECTRICAL CALLOUTS SEE DWG NO. 121339-01-000

NOTES: 1 CUT AND RECONNECT AS SHOWN.



- (70C) RADIO - SATELLITE
- (40J) CB RADIO PREP
- (40C) RADIO - CB
- (36N) FANS-DEFROSTER, AUXILIARY
- (28K) SUNVISORS - MANUAL (2)
- (28J) SUNVISORS - POWERED (2)
- (16L) FORD 22,000#-22.5 AL WHL
- (12L) DOOR-DRIVER
- (1PV) WORKHORSE 24,000#-22.5 TIRE
- (1PS) WORKHORSE 22,000#-22.5 TIRE

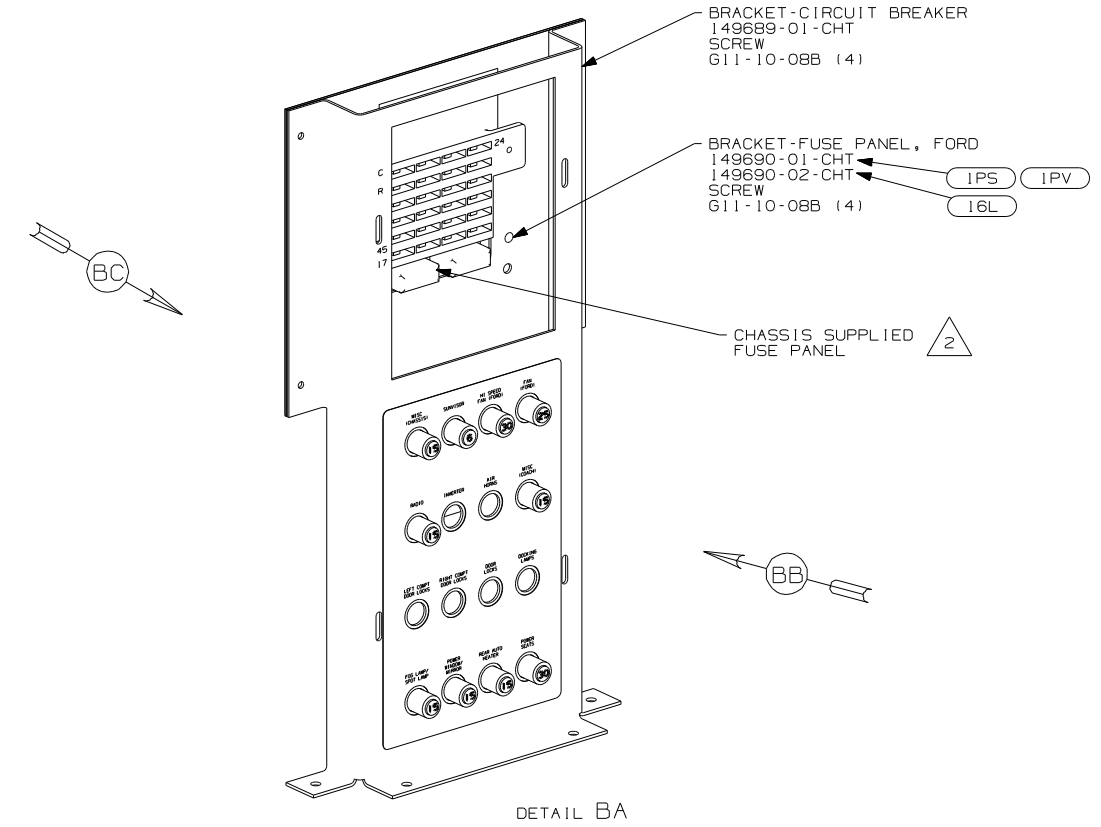
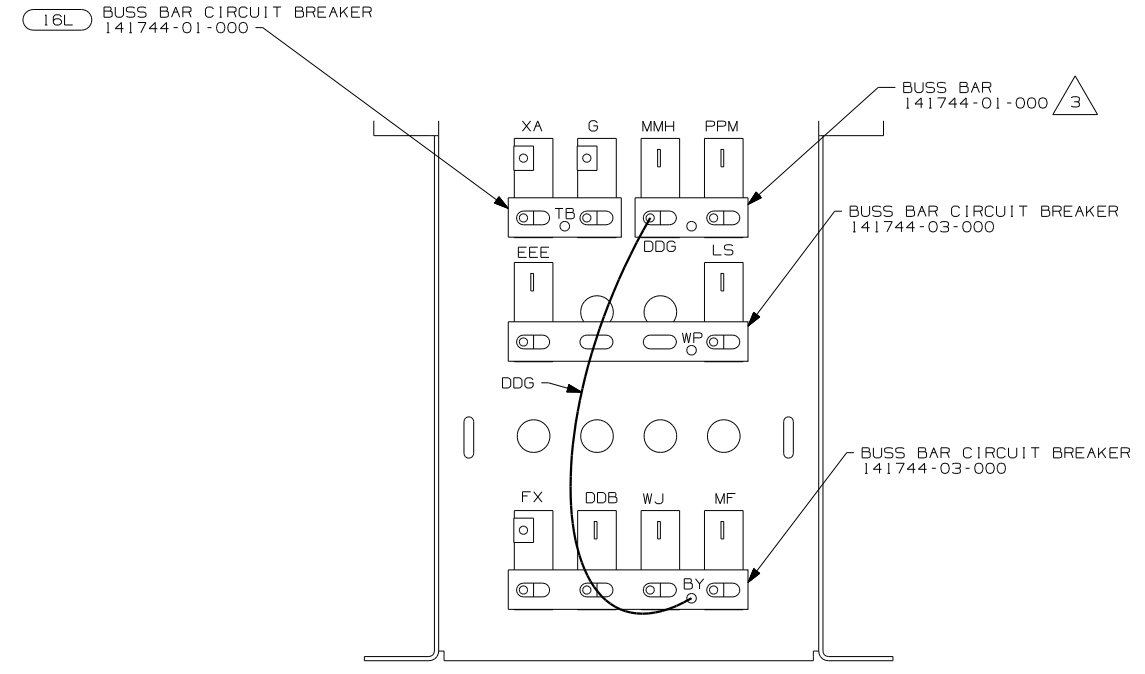
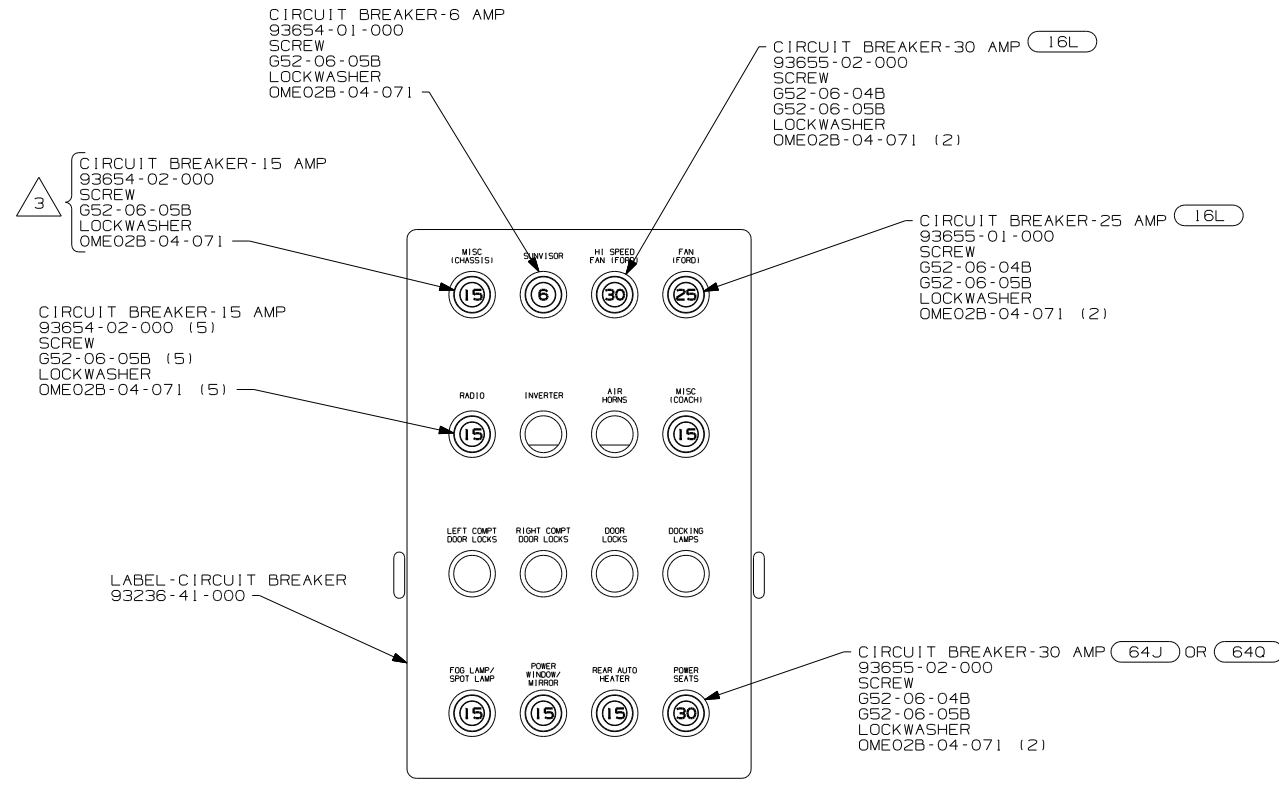
- 7 USE TAPE 136748-01-000 TO SECURE WIRES IN A-POST.
 - 6 SEE ANTENNA INSTL-CB AND DETAIL AA.
 - 5 EDGE OF LABEL TO HANG JUST BELOW BOTTOM OF DASH.
 - 4 SEE WIRING INSTL-GPS FOR ADDITIONAL INFORMATION.
3. CONNECT CHASSIS SUPPLIED BRN/WHT WIRE TO TERMINAL ON PARK BRAKE IF PARK BRAKE IS PRESENT. ALL STD WH CONNECT BLUE LEVELING JACK WIRE TO BROWN WIRE.
 2. FOR ADDITIONAL INFORMATION SEE WIRING INSTL-CHASSIS.
 1. WINNEBAGO WIRE ASSEMBLIES ARE SHOWN FOR CLARITY.
- NOTES:

- 11 CABLE SUPPLIED WITH SATELLITE RADIO RECEIVER. PLUG INTO BACK OF RADIO AND TIE TO IP,MAIN.
- 10 SEE ANTENNA INSTL-RADIO & CB FOR ADDITIONAL INFORMATION.
- 9 MOUNT SO SENSOR FACES FORWARD AS STATED ON SENSOR LABEL.
- 8 CUT VISOR WIRING TO 300mm BEFORE CONNECTING

FOR ELECTRICAL TORQUE SPECIFICATIONS SEE DWG NO. 128783-01-000

FOR ELECTRICAL CALLOUTS SEE DWG NO. 121339-01-000

WINNEBAGO		COPYRIGHT 2004 WINNEBAGO INDUSTRIES, INC.	
DFTR	ORIG. DATE		
CHKR	ALL DIMENSIONS ARE IN MILLIMETERS		
P.E.			
M.E.	FIRST USED		
DSNR	06 G-SERIES		
UNSPECIFIED TOLERANCES ARE:		MATERIAL:	
WHOLE DIM (X)	:		
ONE-PLACE (X.X)	:		
TWO-PLACE (X.XX)	:		
ANGLE	:		
THIRD ANGLE PROJECTION			
DO NOT SCALE DRAWING			
TITLE: WIRING INSTL-FRONT END			
SHEET 1 of 6	PART NO	152097	
REF:		1 11/3/2005	



- (64Q) SEAT PED-6-WAY POWER DRIVER
- (64J) SEAT PED-6-WAY DR/PASS POWER
- (16L) FORD 22,000#-22.5 AL WHL
- (1PV) WORKHORSE 24,000#-22.5 TIRE
- (1PS) WORKHORSE 22,000#-22.5 TIRE

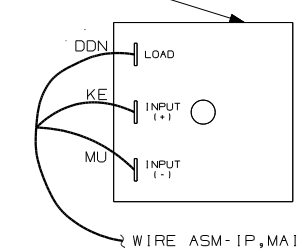
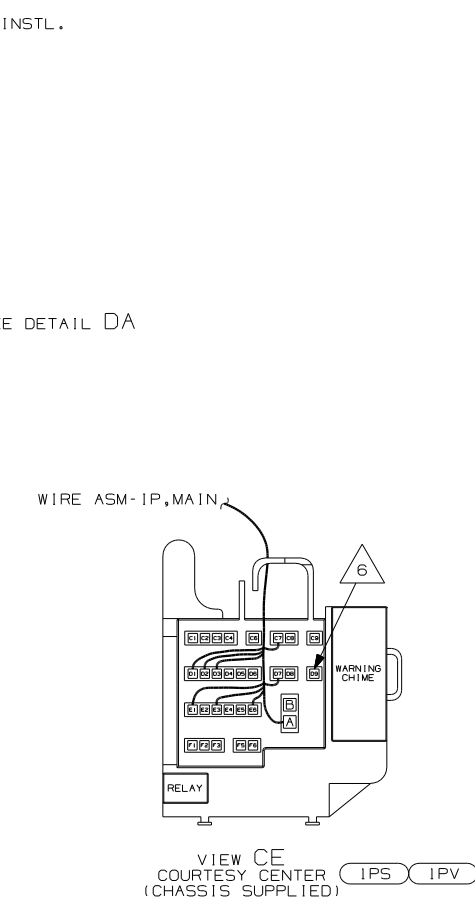
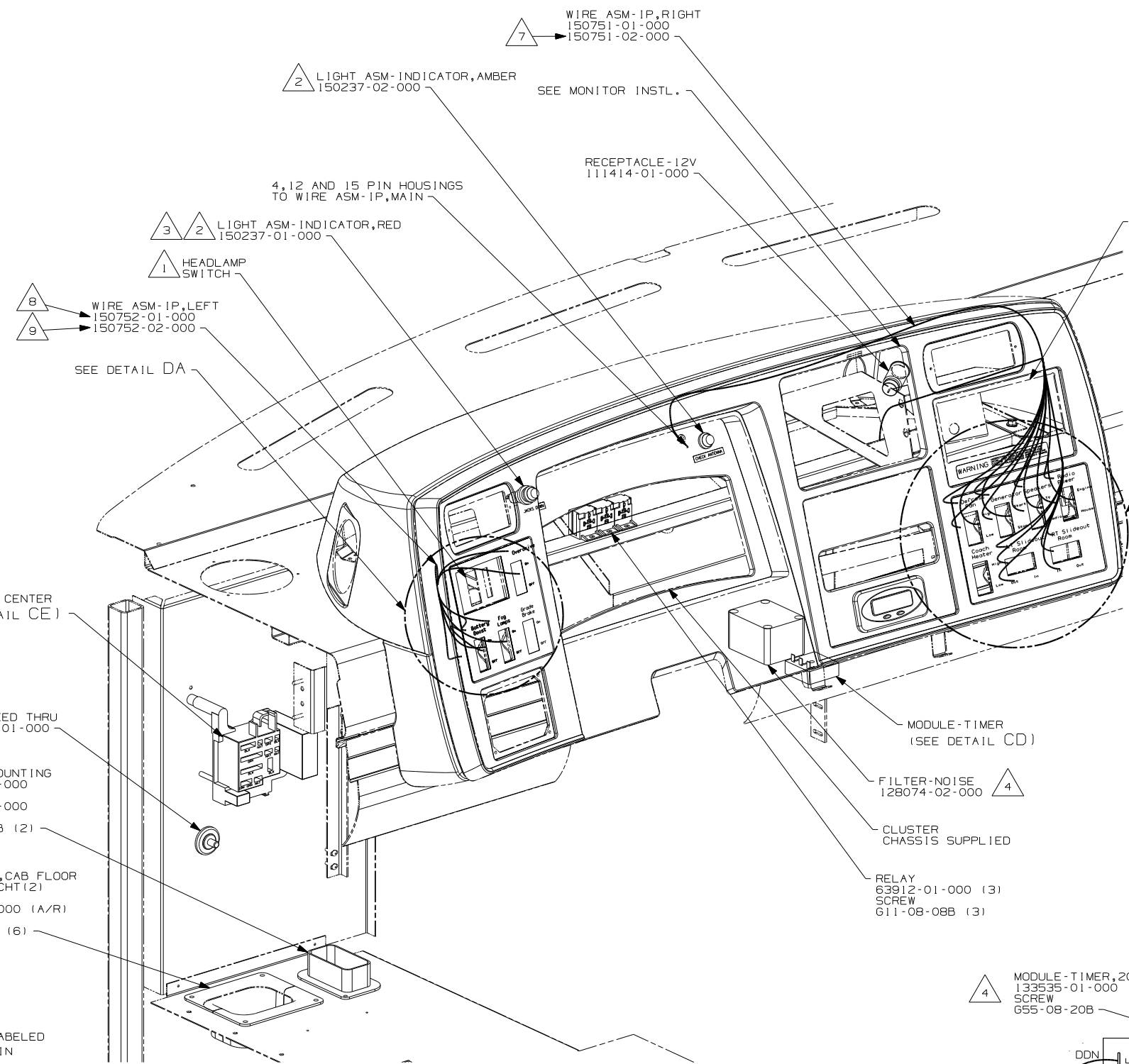
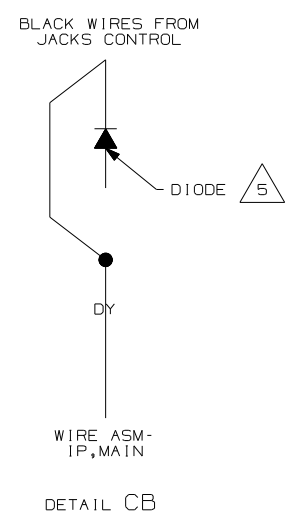
FIRST USED	06 G-SERIES
TITLE	DO NOT SCALE DRAWING
TITLE	WIRING INSTL-FRONT END
SHEET 2	PART NO 152097

NOTES:

(3) USED ON G38T ONLY.

(2) WORKHORSE PANEL SHOWN.

(1) ALL CIRCUITS ARE IN WIRE ASM-IP,MAIN.

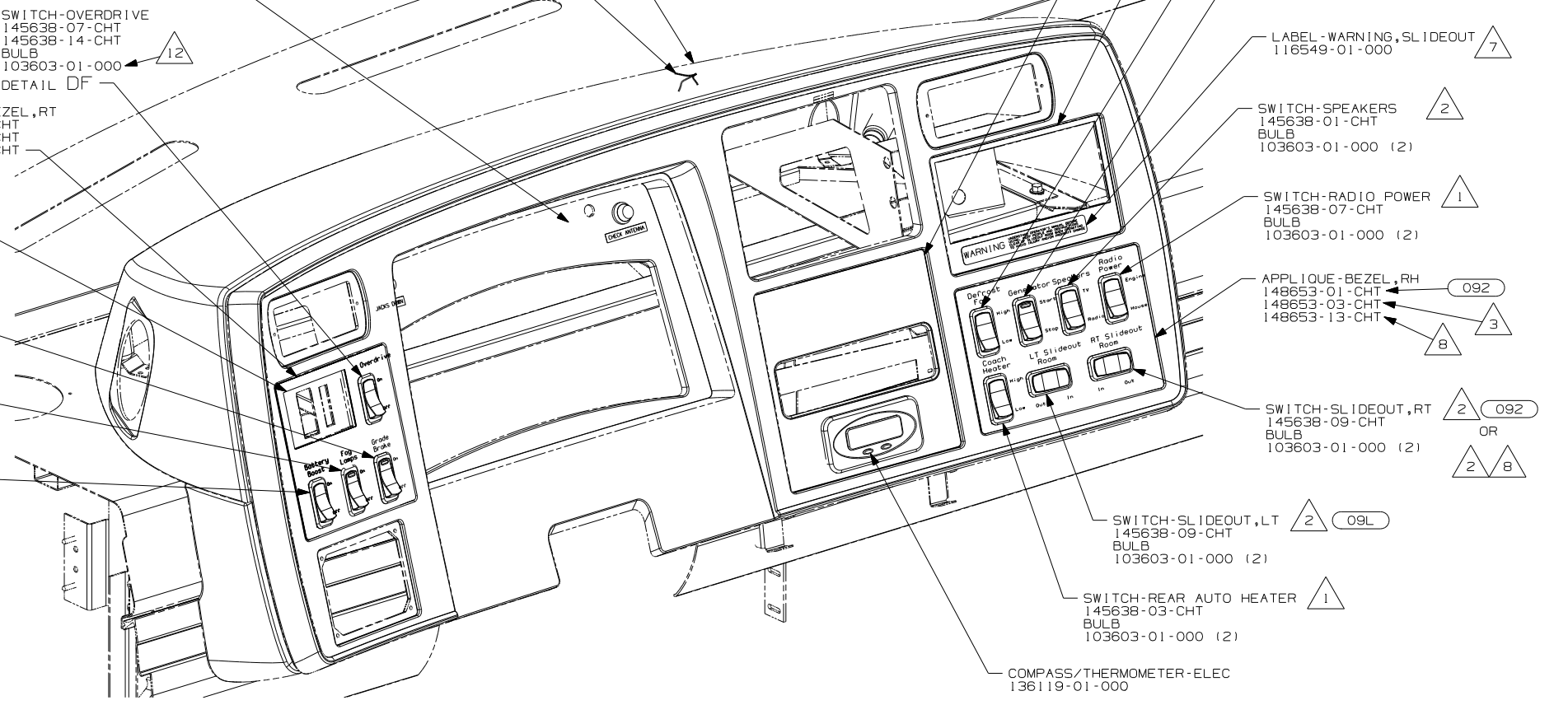
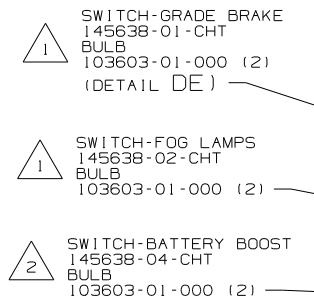
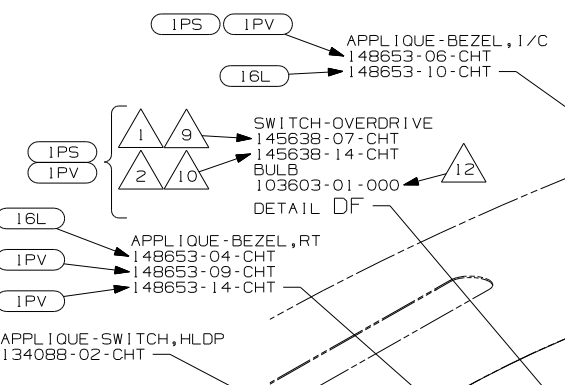
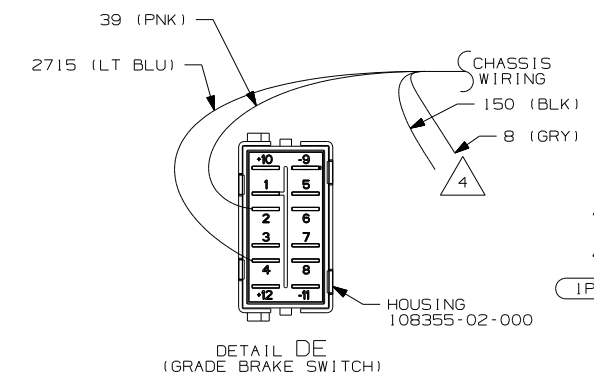
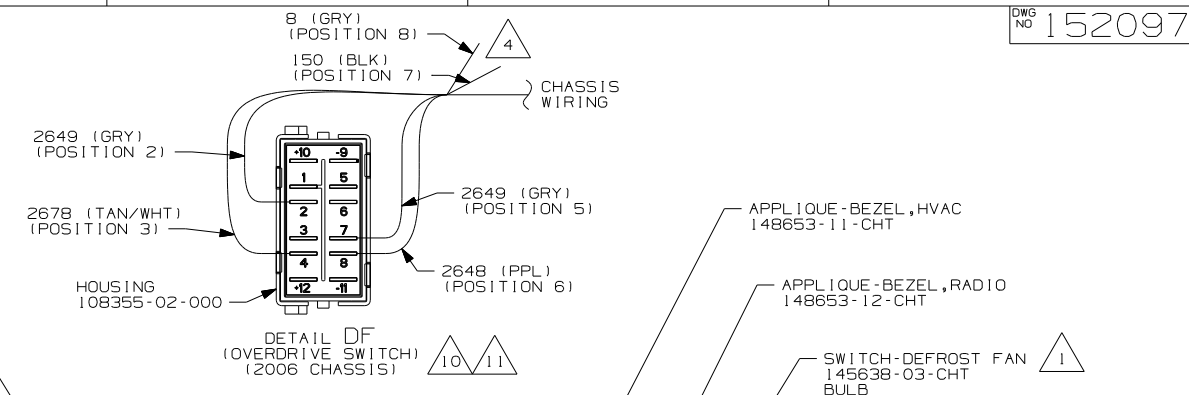
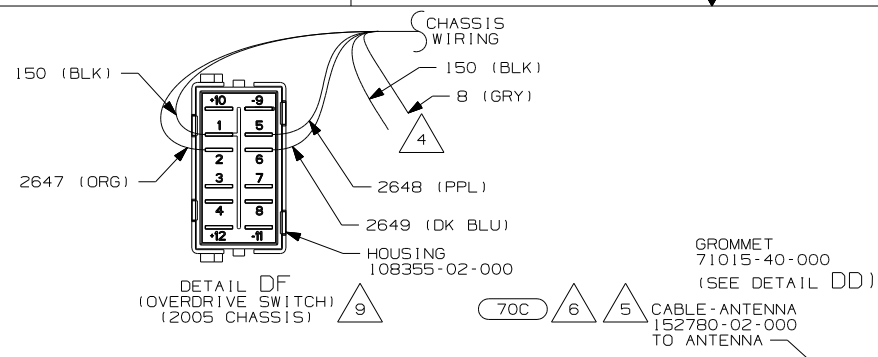
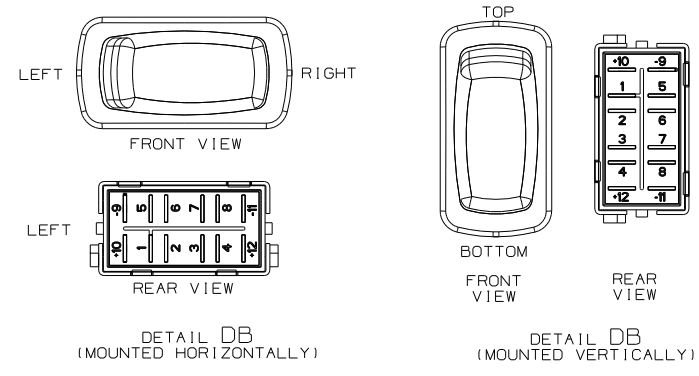


- 9 2006 WORKHORSE CHASSIS
- 8 2005 WORKHORSE CHASSIS
- 7 USED ON G38T ONLY.
- 6 CONNECT CHASSIS SUPPLIED HOUSING LABELED "SEAT BELT BYPASS" TO POSITION D9 IN CONVENIENCE CENTER.
- 5 DIODE NOT USED.
- 4 MOUNT ON TOP LEFT REAR CORNER OF PANEL-COVER,RADIATOR.
- 3 WIRING FROM HWH. SEE DETAIL CB FOR PARK BRAKE WIRING. SEE LEVELING SYSTEM INSTL. FOR ADDITIONAL INFORMATION
- 2 CONNECT POSITIVE WIRE TO TERMINAL MARKED WITH A "+". YELLOW-WINNEBAGO WIRING RED-HWH WIRING
- 1 CHASSIS SUPPLIED

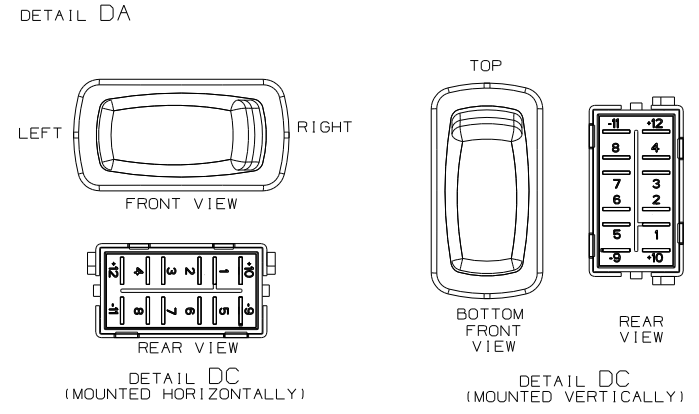
NOTES:

- 64H HYDRAULIC LEVELING JACKS
- 16L FORD 22,000#-22.5 AL WHL
- 1PV WORKHORSE 24,000#-22.5 TIRE
- 1PS WORKHORSE 22,000#-22.5 TIRE

FIRST USED	06 G-SERIES	
TITLE:	DO NOT SCALE DRAWING	
	WIRING INSTL-FRONT END	
SHEET 3	PART NO	152097

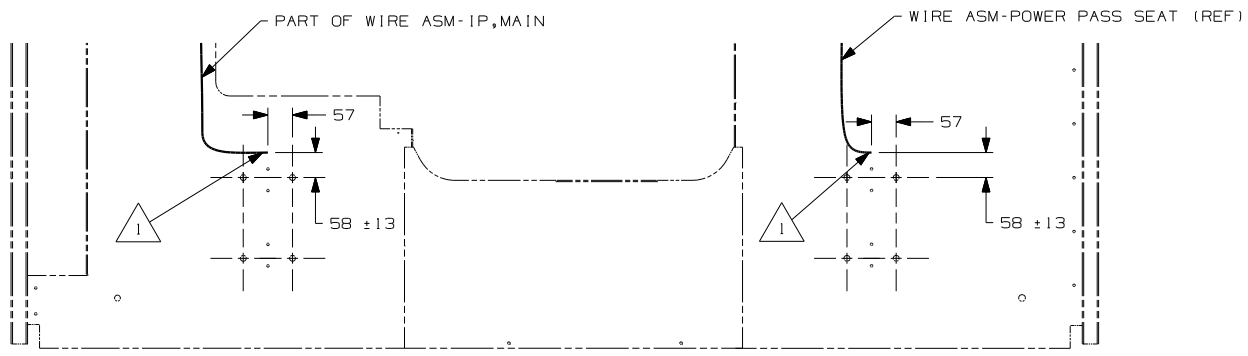


- 12 2 BULBS REQUIRED FOR 2005 CHASSIS. USE 1 BULB FOR 2006 CHASSIS.
- 11 POSITIONS NOTED IN PARENTHESIS ARE LOCATIONS IN WORKHORSE SUPPLIED HOUSING.
- 10 2006 WORKHORSE CHASSIS
- 9 2005 WORKHORSE CHASSIS
- 8 USED ON G38T.
- 7 CENTER LABEL UNDER RADIO.
- 6 PLUG ANTENNA CABLE INTO THE REAR OF SATELLITE TUNER MARKED SAT/TERR (MAIN), AND ROUTE UP LEFT A-PILLAR.
- 5 SEE ANTENNA INSTL-RADIO & CB FOR ADDITIONAL INFORMATION.
- 4 REMOVE TERMINALS & TAPE BACK TO LOOM.
- 3 WITHOUT 092
- 2 SEE DETAIL DC FOR ORIENTATION.
- 1 SEE DETAIL DB FOR ORIENTATION.

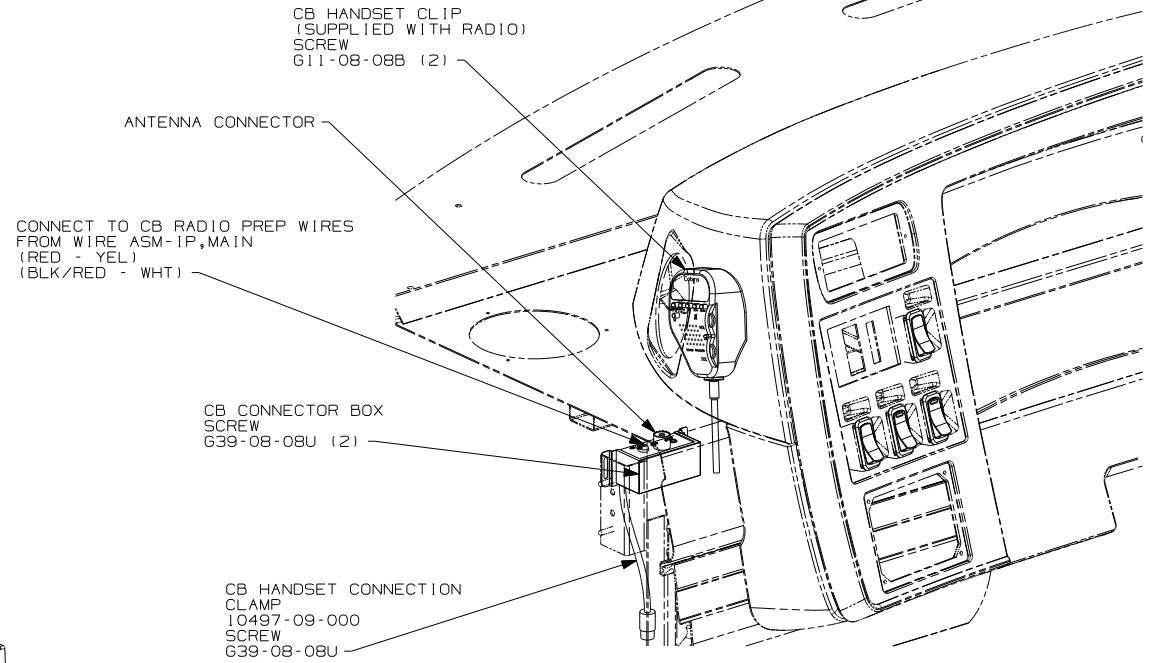


- 70C RADIO - SATELLITE
- 16L FORD 22,000#-22.5 AL WHL
- 1PV WORKHORSE 24,000#-22.5 TIRE
- 1PS WORKHORSE 22,000#-22.5 TIRE
- 092 SLIDEOUT ROOM - FRONT RIGHT
- 09L SLIDEOUT ROOM FRONT LEFT

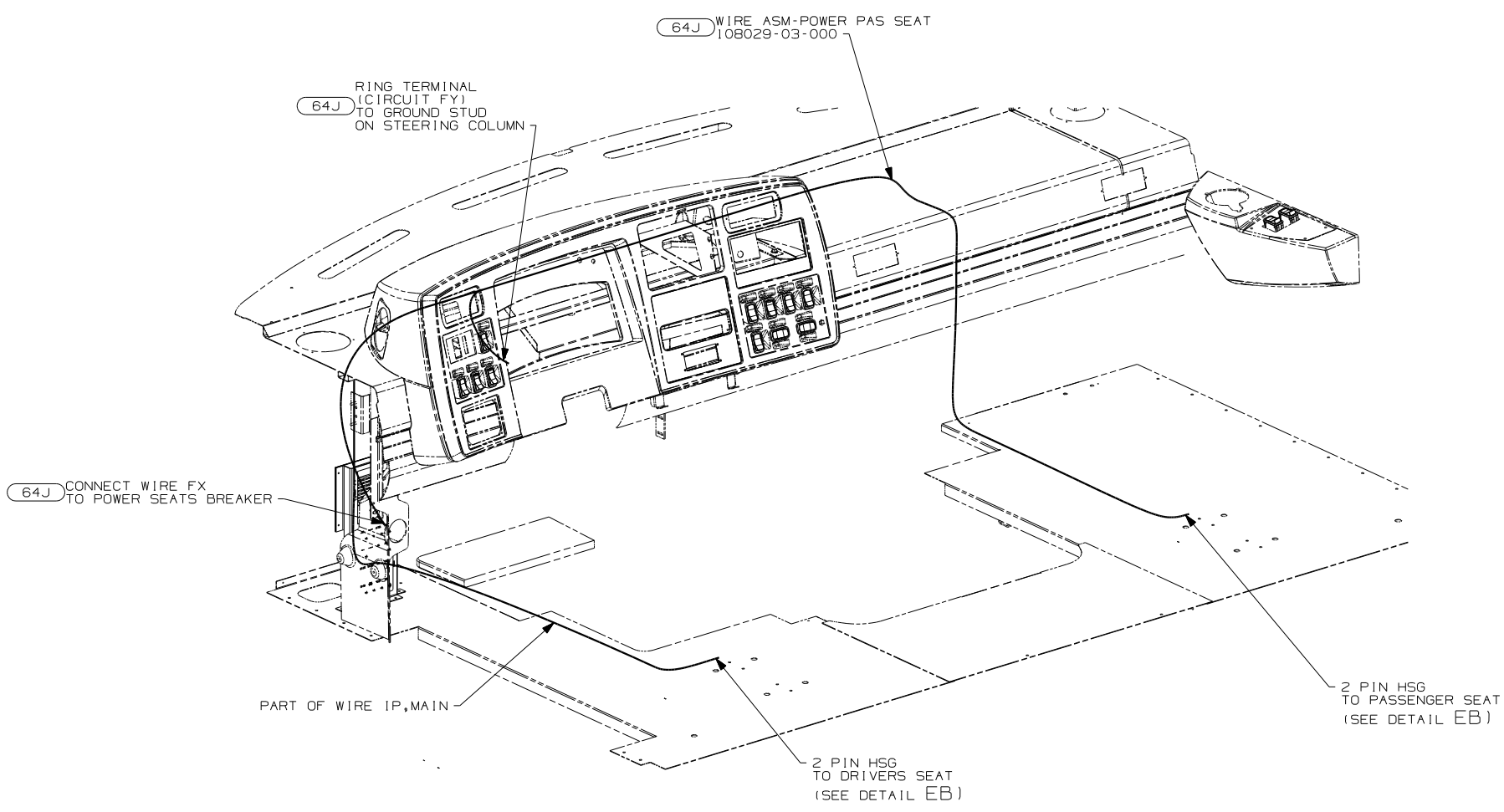
FIRST USED	
06 G-SERIES	
DO NOT SCALE DRAWING	
TITLE: WIRING INSTL-FRONT END	
SHEET 4	PART NO 152097



DETAIL EB (64J) (640)



DETAIL EC (40C)

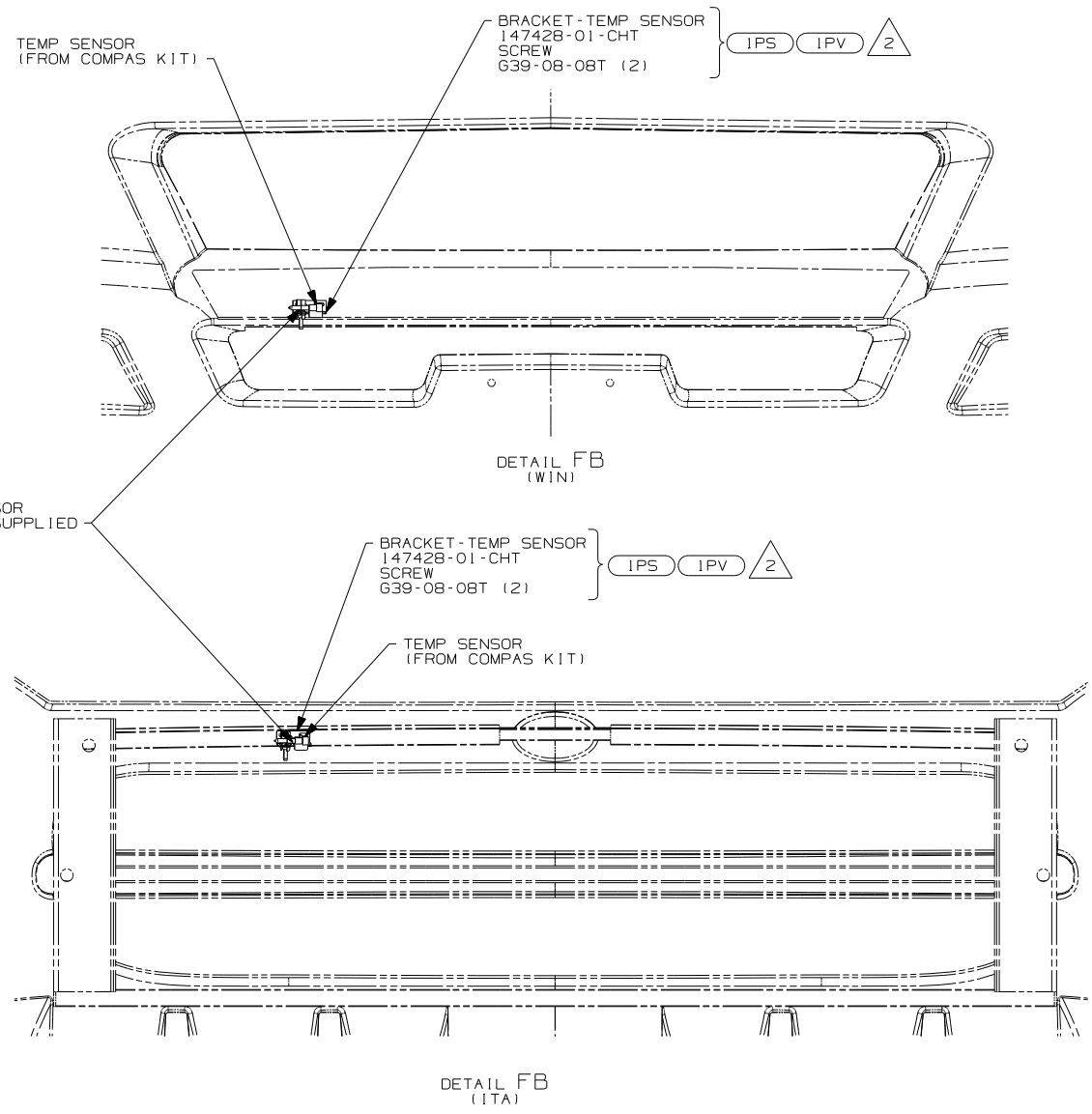
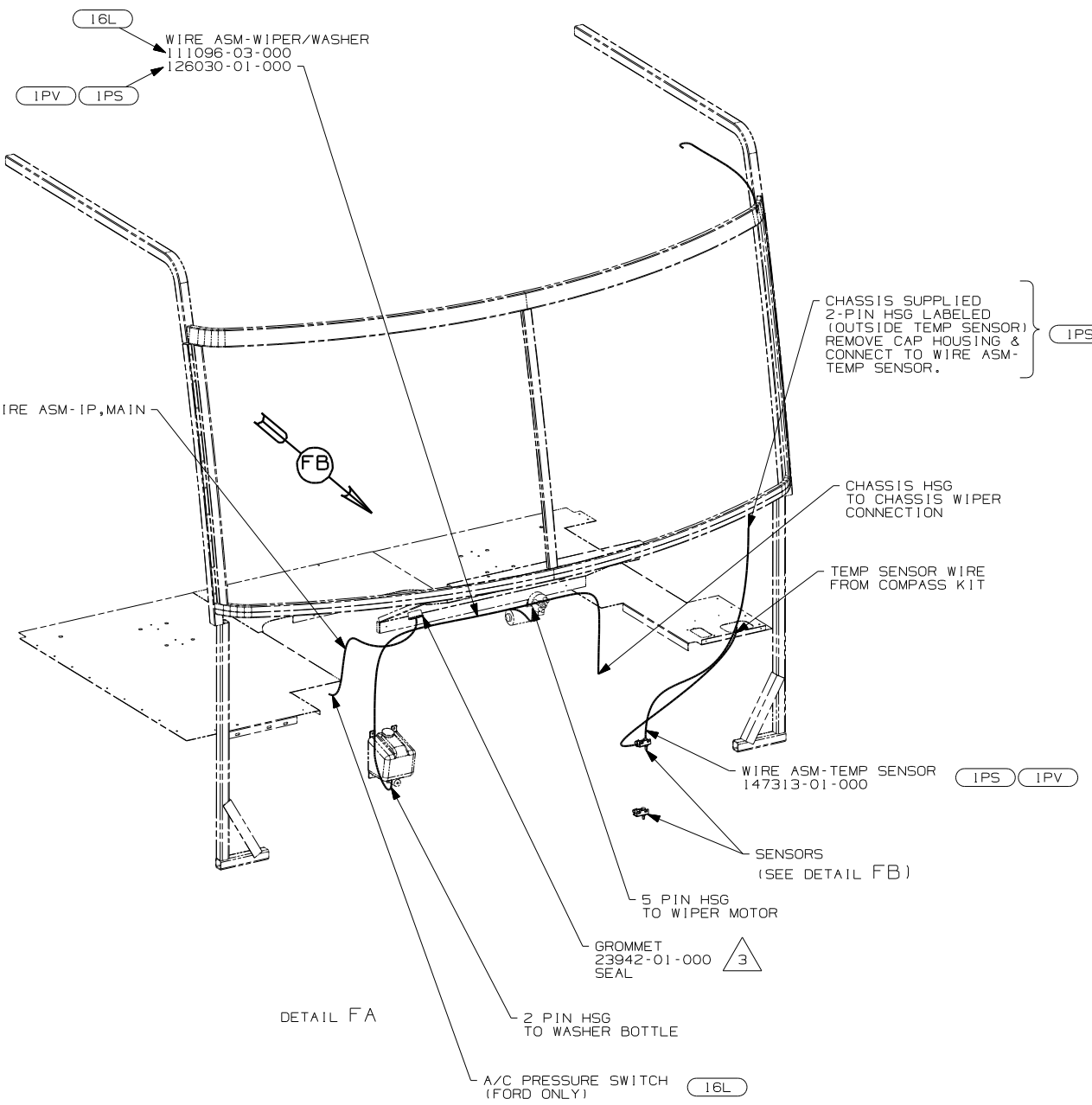


DETAIL EA (AUXILIARY WIRING) (64J)

- (640) SEAT PED-6-WAY POWER DRIVER
- (64J) SEAT PED-6-WAY DR/PASS POWER
- (40C) RADIO - CB
- (20C) SOUND SYS. DLX. W/O-SURROUND

NOTES:
 1 LEAVE 675±50mm OF WIRE PEDESTALL

FIRST USED	06 G-SERIES
TITLE	DO NOT SCALE DRAWING
	WIRING INSTL-FRONT END
SHEET 5	PART NO 152097



- 3 ROUTE WIRES THROUGH HOLE IN STEEL.
- 2 MOUNT SENSOR OR SENSOR BRACKET TO HORIZONTAL TUBE ON FIBERGLASS AS SHOWN.

1. GATHER ALL EXCESS WIRE AFTER MAKING ALL CONNECTIONS. BUNDLE AND SECURE WITH WIRE TIE 8343-01-000 OR 93147-01-000.

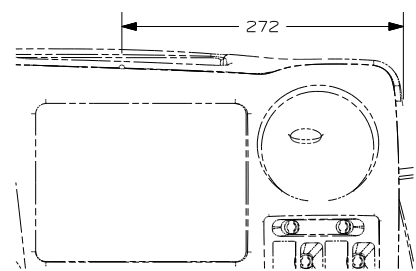
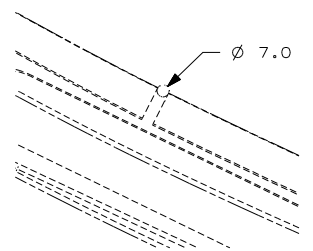
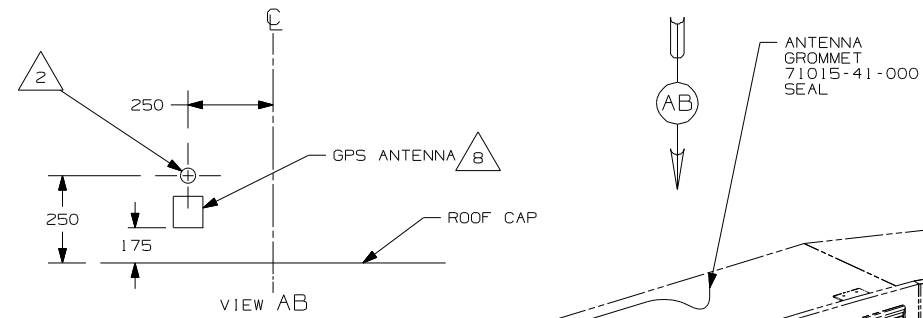
NOTES:

- 16L FORD 22,000#-22.5 AL WHL
- IPV WORKHORSE 24,000#-22.5 TIRE
- IPS WORKHORSE 22,000#-22.5 TIRE

FIRST USED	06 G-SERIES
DO NOT SCALE DRAWING	
TITLE:	WIRING INSTL-FRONT END
SHEET 6	PART NO 152097

DRAWING NO.	MODEL	SHEET
152094-01	R & S SERIES	1,5
152094-02	P-SERIES	2,5
152094-03	G-SERIES	3,5
152094-04	F-SERIES	4,5

RELEASE	REV/DATE A	DWG NO 152094
REV ZONE	REVISION RECORD	DATE DFR-0R16



- 11 5 GPS-NAVIGATION SYST,DVD
137424-01-000
- FASTENER-DUAL LOCK
85774-01-000 (300 MM)
- 85774-02-000 (300 MM)

- 3 SCREW
G39-08-08E

- 10 6 MONITOR-LCD,COLOR 6.5"
137424-07-000
- 137424-06-000
- BRACKET ASM-MONITOR
137424-04-000
- SCREW
G11-08-08T (5)

- 1 AV INTERFACE UNIT
FASTENER-DUAL LOCK
085774-01-000 (300MM)
- 085774-02-000 (300MM)

- 10 CABLE-RCA,MALE-MALE

SEE DETAIL AA FOR HOLE LOCATION FOR CABLE ROUTING

CABLE ASM-MONITOR,SONY

REMOTE CONTROL 7

6 PIN HOUSING TO WIRE ASM-IP,MAIN

- 52T CD CHANGER-10 DISC
- 15D GPS-NAVIGATION SYSTEM

15D

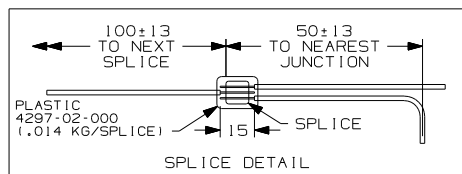


DFTR	ORIG. DATE
CHKR	ALL DIMENSIONS ARE IN MILLIMETERS
P.E.	
M.E.	FIRST USED
DSNR	06 S-SER

UNSPECIFIED TOLERANCES ARE:	MATERIAL:
HOLE DIM (X) :	
ONE-PLACE (X,X) :	1
TWO-PLACE (X,XX) :	
ANGLE :	
THIRD ANGLE PROJECTION :	

DO NOT SCALE DRAWING

TITLE:	WIRING INSTL-GPS
SHEET 1 of 5	PART NO 152094 REV



FOR ELECTRICAL CALLOUTS SEE DWG NO. 121339-01-000

11 MOUNT GPS-NAVIGATION SYST. IN OVERHEAD AS FAR TO THE LEFT AS POSSIBLE. WITH 52T MOUNT GPS-NAVIGATION SYST. TO THE RIGHT OF THE CD CHANGER AS FAR TO THE LEFT AS POSSIBLE.

10 S-SERIES ONLY

9 R-SERIES ONLY

8 CLEAN ROOF & ANTENNA AND USE TAPE-FOAM,DBL 076322-05 TO ATTACH ANTENNA TO ROOF.

7 MOUNT REMOTE WITH WITH SUPPLIED BRACKET AND SCREWS.

6 MOUNT MONITOR SO IT IS CENTERED IN RECESSED AREA ON DASH.

5 LOAD MAP DVD INTO PLAYER AND SAVE DVD CASE AND DOCUMENTATION WITH OWNER'S MANUAL.

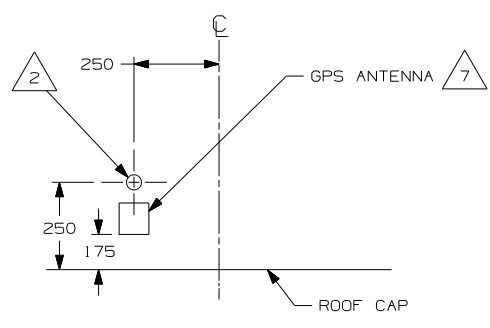
4 SEE SHEET 5 FOR SPLICING INFORMATION.

3 PULL BLACK WIRE FROM LOOM AND SCREW TO STEEL SIDE-PANEL OF OVHD.

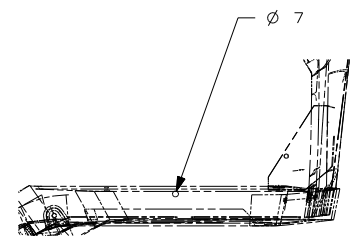
2 DRILL 15MM HOLE IN FIBERGLASS ROOF CAP AND SLIDE ANTENNA WIRE INTO GROMMET AND SEAL.

1 AV INTERFACE UNIT COMES WITH MONITOR-LCD,COLOR 6.5"

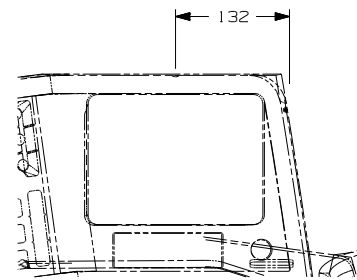
NOTES:



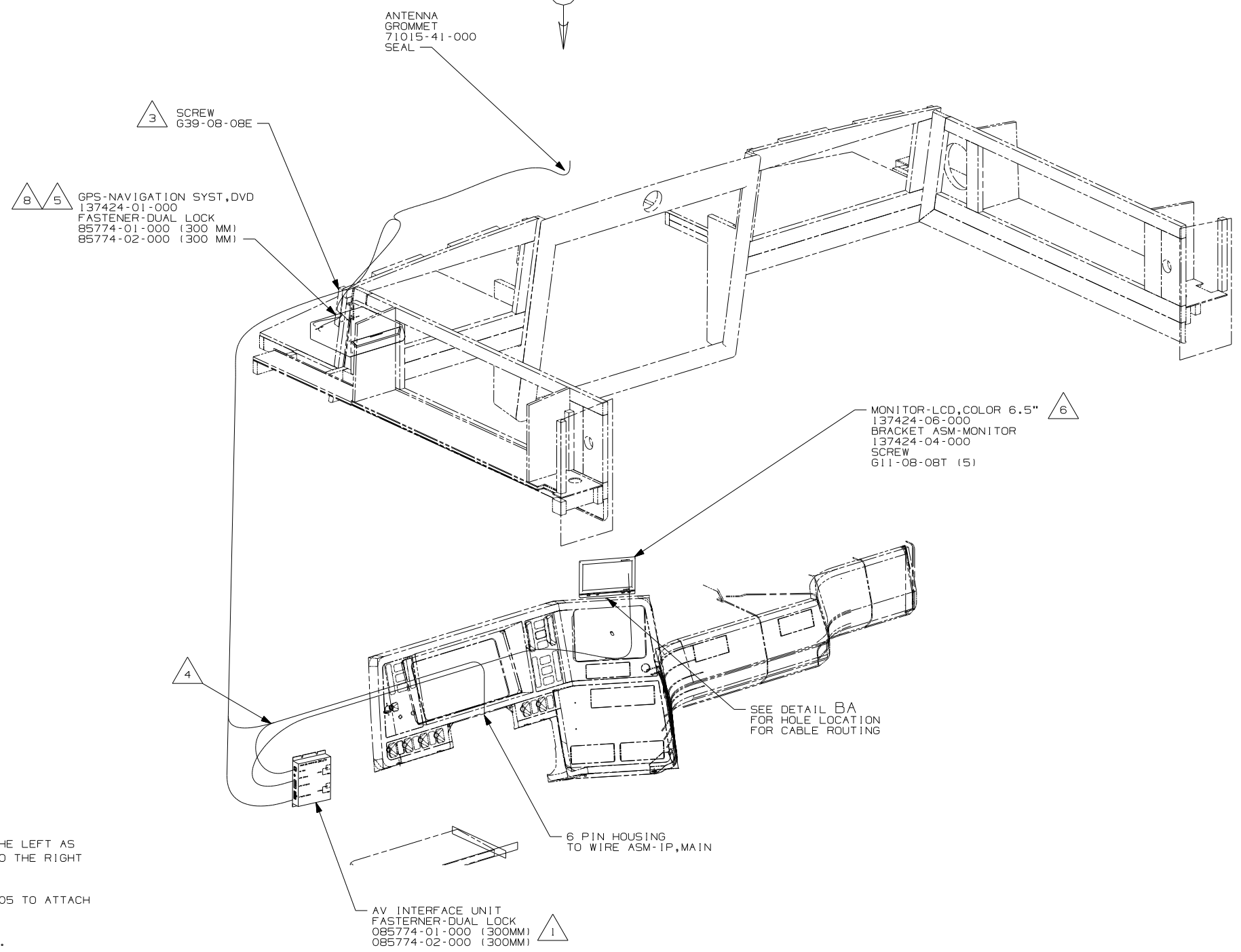
VIEW BB



DETAIL BA (TOP VIEW)



DETAIL BA

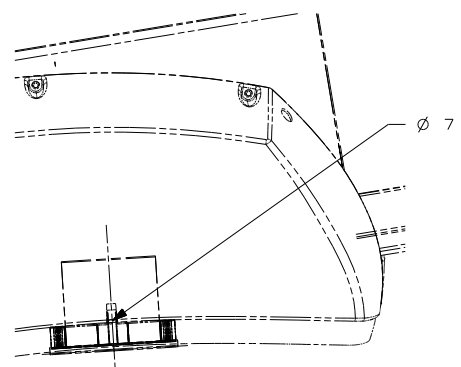


- 8 MOUNT GPS-NAVIGATION SYST. IN OVERHEAD AS FAR TO THE LEFT AS POSSIBLE. WITH (52T) MOUNT GPS-NAVIGATION SYST. TO THE RIGHT OF THE CD CHANGER AS FAR TO THE LEFT AS POSSIBLE.
- 7 CLEAN ROOF & ANTENNA AND USE TAPE-FOAM, DBL 076322-05 TO ATTACH ANTENNA TO ROOF.
- 6 MOUNT MONITOR SO IT IS CENTERED ABOVE REAR MONITOR.
- 5 LOAD MAP DVD INTO PLAYER AND SAVE DVD CASE AND DOCUMENTATION WITH OWNER'S MANUAL.
- 4 SEE SHEET 5 FOR SPLICING INFORMATION.
- 3 PULL BLACK WIRE FROM LOOM AND SCREW TO STEEL SIDE-PANEL OF OVHD.
- 2 DRILL 15MM HOLE IN FIBERGLASS ROOF CAP AND SLIDE ANTENNA WIRE INTO GROMMET AND SEAL.
- 1 AV INTERFACE UNIT COMES WITH MONITOR-LCD, COLOR 6.5"

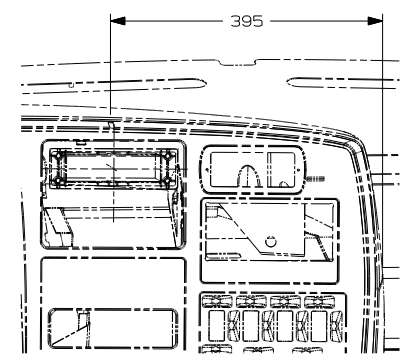
NOTES:

- (52T) CD CHANGER-10 DISC
- (15D) GPS-NAVIGATION SYSTEM

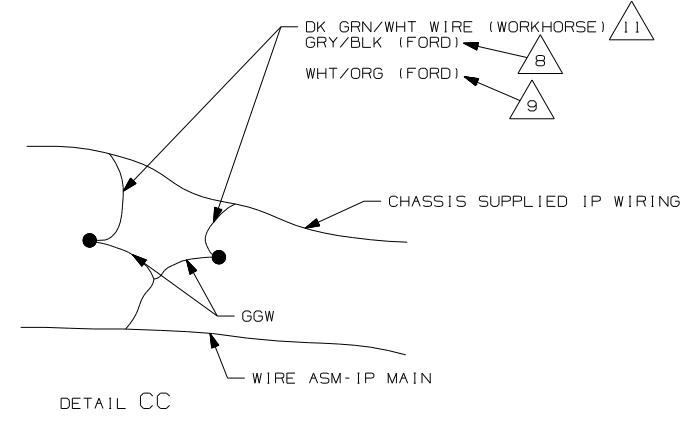
FIRST USED		06 P-SER	
DO NOT SCALE DRAWING			
TITLE: WIRING INSTL-GPS			
SHEET 2	PART NO	152094	REV



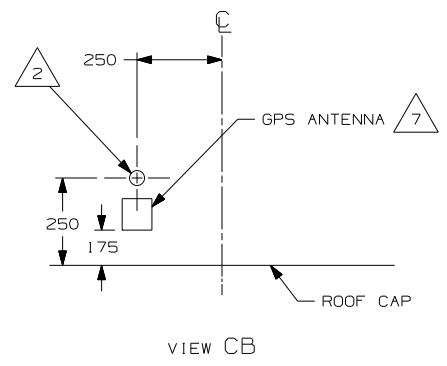
DETAIL CA
(TOP VIEW)



DETAIL CA



DETAIL CC



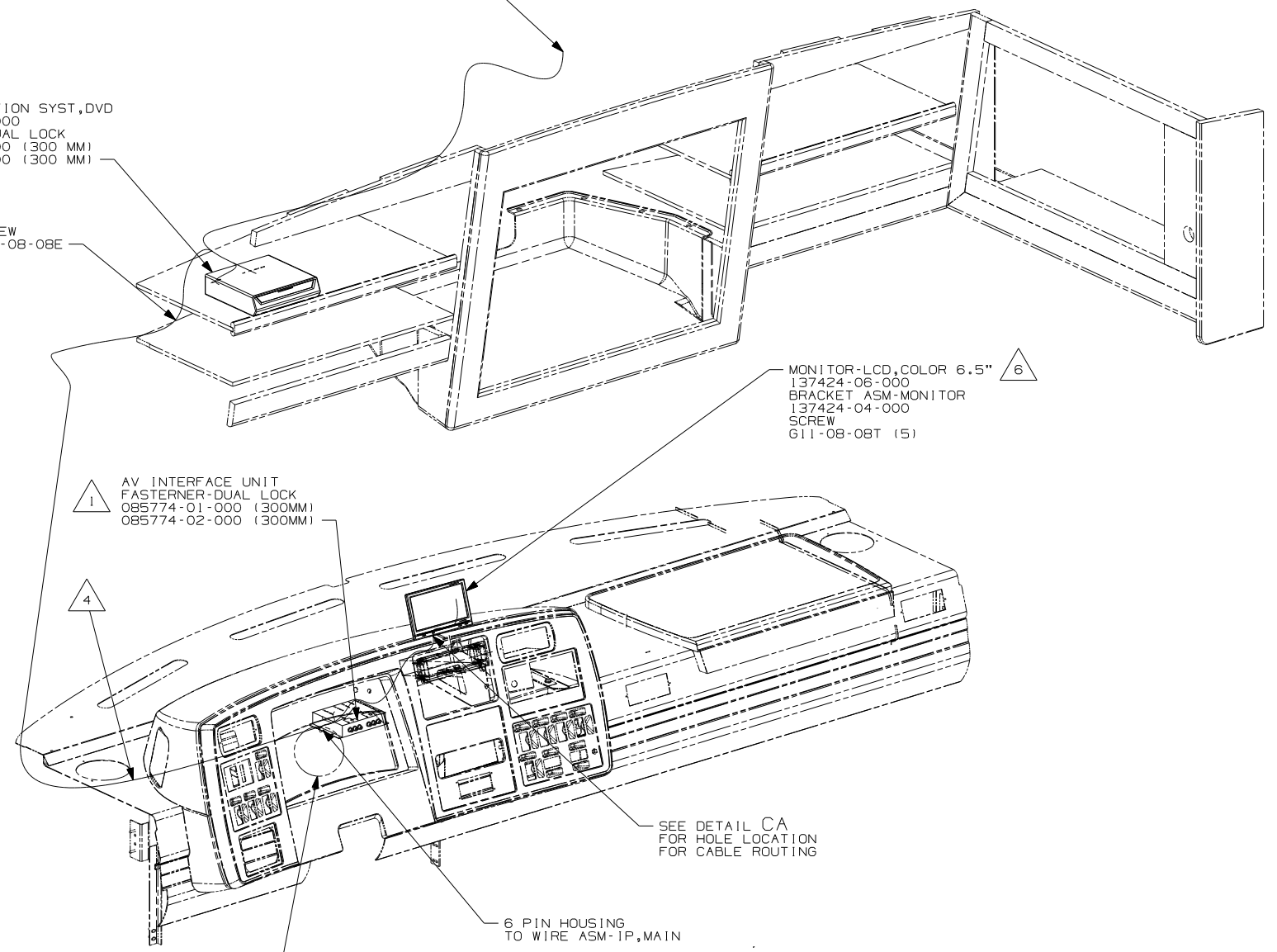
VIEW CB

GPS-NAVIGATION SYST.,DVD
137424-01-000
FASTENER-DUAL LOCK
85774-01-000 (300 MM)
85774-02-000 (300 MM)

SCREW
639-08-08E

AV INTERFACE UNIT
FASTENER-DUAL LOCK
085774-01-000 (300MM)
085774-02-000 (300MM)

MONITOR-LCD,COLOR 6.5"
137424-06-000
BRACKET ASM-MONITOR
137424-04-000
SCREW
611-08-08T (5)



SEE DETAIL CC

SEE DETAIL CA
FOR HOLE LOCATION
FOR CABLE ROUTING

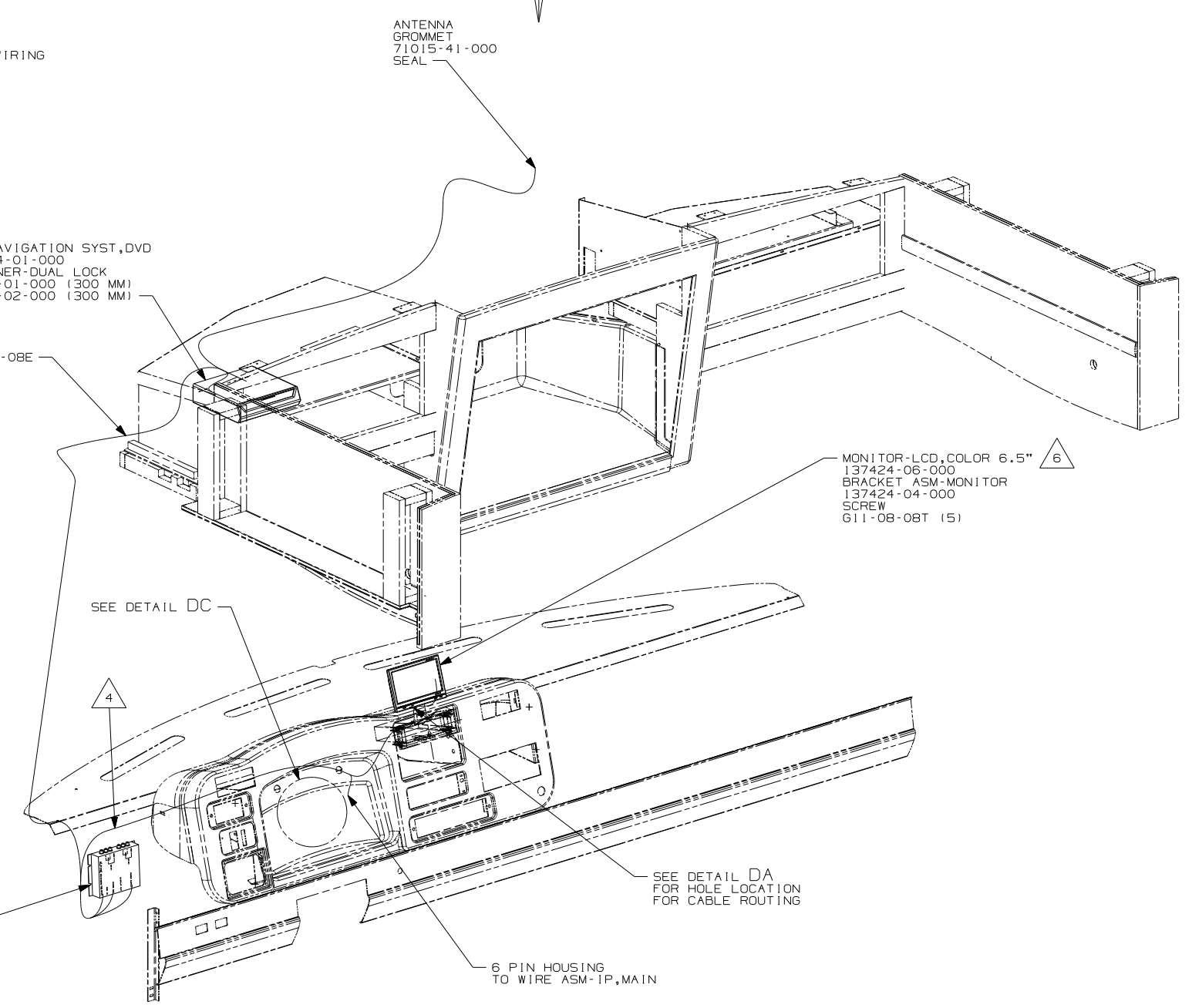
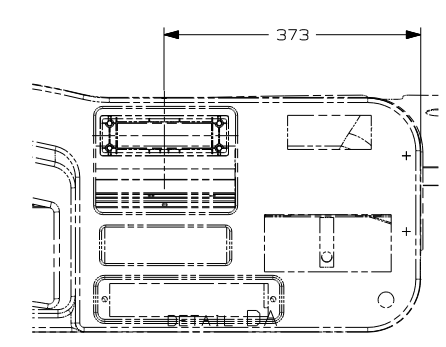
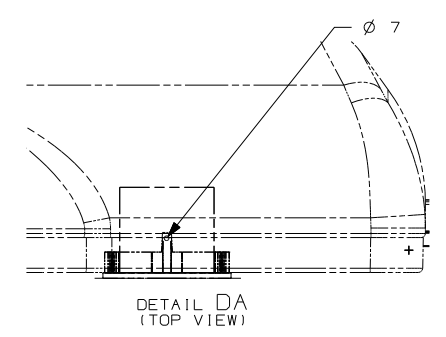
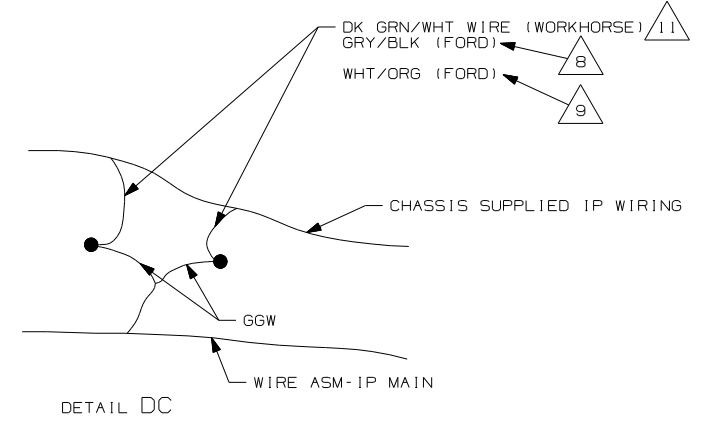
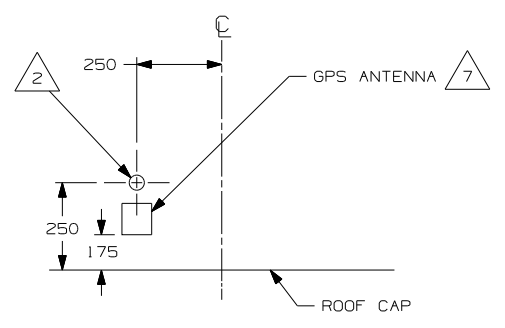
6 PIN HOUSING
TO WIRE ASM-IP,MAIN

- 11 2005 WORKHORSE SHOWN. FOR 2006 WORKHORSE, CONNECT GGW TO BROWN WIRE WITH 1 PIN CONNECTOR LABELED "GPS SPD SIG" LOCATED BELOW & LEFT OF STEERING COLUMN SUPPORT.
- 10 MOUNT GPS-NAVIGATION SYST. IN OVERHEAD AS FAR TO THE LEFT AS POSSIBLE. WITH (52T) MOUNT GPS-NAVIGATION SYST. TO THE RIGHT OF THE CD CHANGER AS FAR TO THE LEFT AS POSSIBLE.
- 9 2006 FORD CHASSIS. CONNECT GGW TO WHT/ORG WIRE LABELED "VS OUTPUT" LOCATED ABOVE STEERING COLUMN SUPPORT.
- 8 2005 FORD CHASASIS FROM PIN 7 OF 16 PIN FORD CONNECTOR.
- 7 CLEAN ROOF & ANTENNA AND USE TAPE-FOAM,DBL 076322-05 TO ATTACH ANTENNA TO ROOF.
- 6 MOUNT MONITOR SO IT IS CENTERED ABOVE REAR MONITOR.
- 5 LOAD MAP DVD INTO PLAYER AND SAVE DVD CASE AND DOCUMENTATION WITH OWNER'S MANUAL.
- 4 SEE SHEET 5 FOR SPLICING INFORMATION.
- 3 PULL BLACK WIRE FROM LOOM AND SCREW TO STEEL SIDE-PANEL OF OVHD.
- 2 DRILL 15MM HOLE IN FIBERGLASS ROOF CAP AND SLIDE ANTENNA WIRE INTO GROMMET AND SEAL.
- 1 AV INTERFACE UNIT COMES WITH MONITOR-LCD,COLOR 6.5"

NOTES:

- (52T) CD CHANGER-10 DISC
- (15D) GPS-NAVIGATION SYSTEM

FIRST USED	06 G-SER	
TITLE	DO NOT SCALE DRAWING	
	WIRING INSTL-GPS	
SHEET 3	PART NO	152094
	REV	



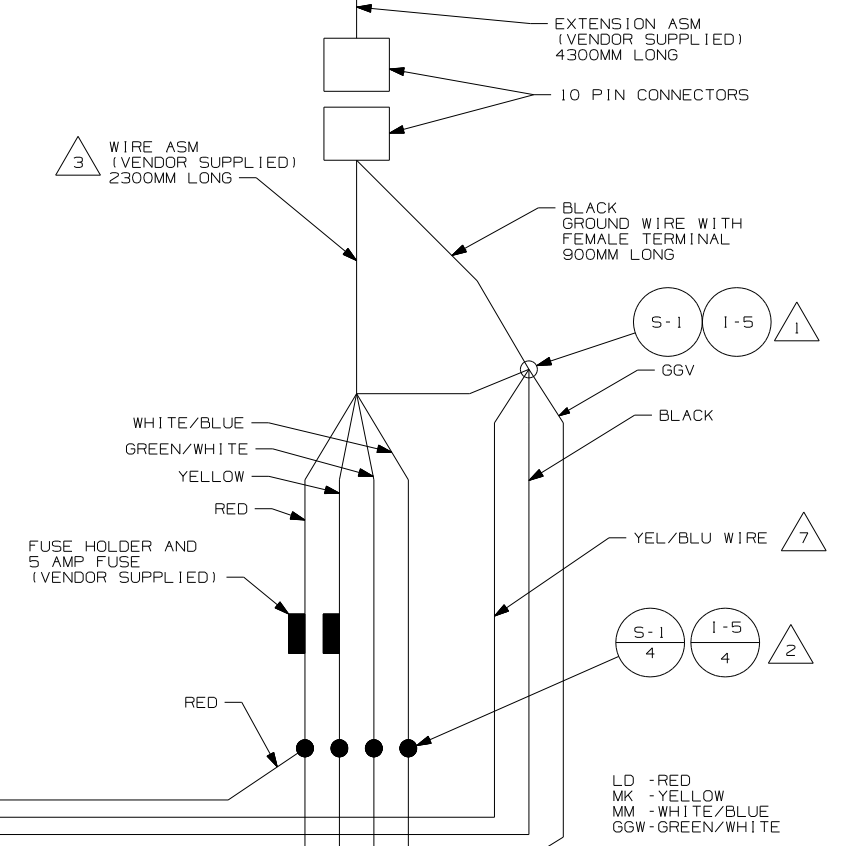
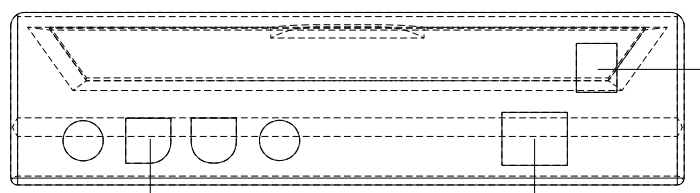
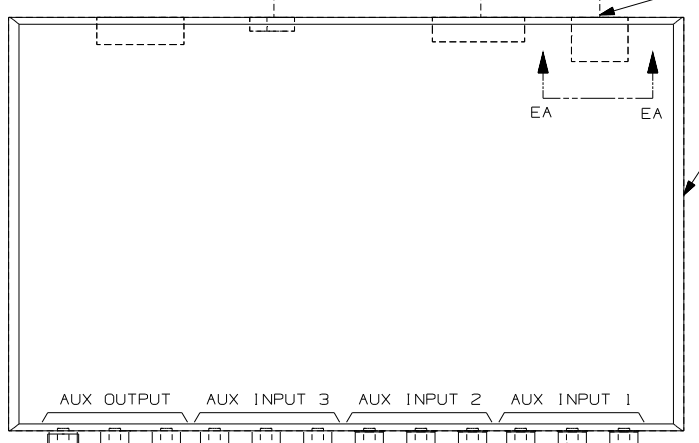
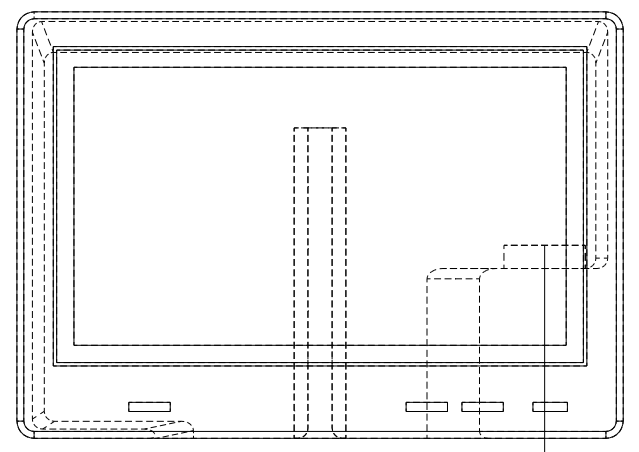
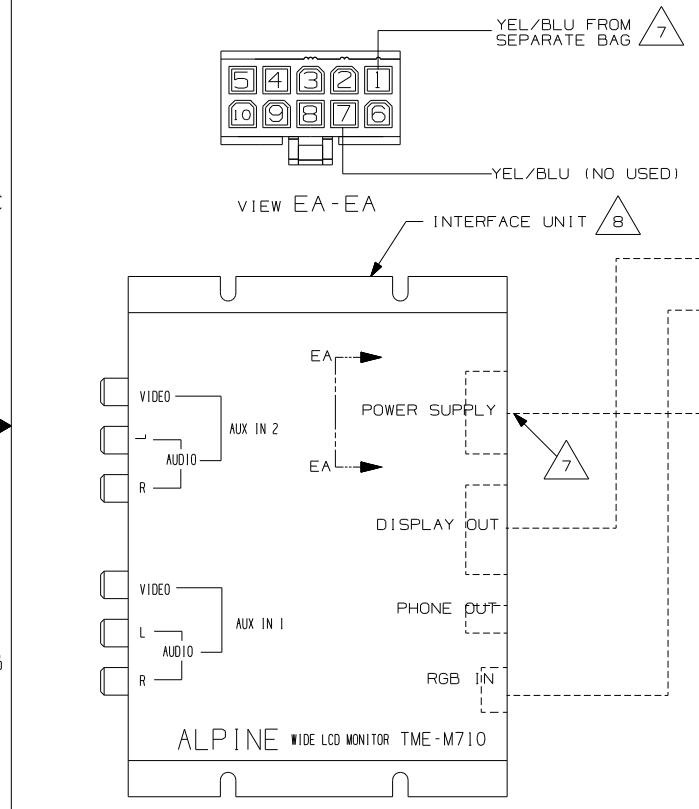
- 11 2005 WORKHORSE SHOWN. FOR 2006 WORKHORSE, CONNECT GGW TO BROWN WIRE WITH 1 PIN CONNECTOR LABELED "GPS SPD SIG" LOCATED BELOW & LEFT OF STEERING COLUMN SUPPORT.
- 10 MOUNT GPS-NAVIGATION SYST. IN OVERHEAD AS FAR TO THE LEFT AS POSSIBLE. WITH (52T) MOUNT GPS-NAVIGATION SYST. TO THE RIGHT OF THE CD CHANGER AS FAR TO THE LEFT AS POSSIBLE.
- 9 2006 FORD CHASSIS. CONNECT GGW TO WHT/ORG WIRE LABELED "VS OUTPUT" LOCATED ABOVE STEERING COLUMN SUPPORT.
- 8 2005 FORD CHASSIS. FROM PIN 7 OF 16 PIN FORD CONNECTOR.
- 7 CLEAN ROOF & ANTENNA AND USE TAPE-FOAM, DBL 076322-05 TO ATTACH ANTENNA TO ROOF.
- 6 MOUNT MONITOR SO IT IS CENTERED ABOVE REAR MONITOR.
- 5 LOAD MAP DVD INTO PLAYER AND SAVE DVD CASE AND DOCUMENTATION WITH OWNER'S MANUAL.
- 4 SEE SHEET 5 FOR SPLICING INFORMATION.
- 3 PULL BLACK WIRE FROM LOOM AND SCREW TO STEEL SIDE-PANEL OF OVHD.
- 2 DRILL 15MM HOLE IN FIBERGLASS ROOF CAP AND SLIDE ANTENNA WIRE INTO GROMMET AND SEAL.
- 1 AV INTERFACE UNIT COMES WITH MONITOR-LCD, COLOR 6.5"

NOTES:

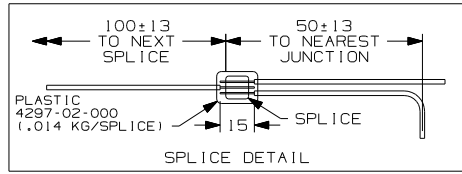
- (52T) CD CHANGER-10 DISC
- (15D) GPS-NAVIGATION SYSTEM

FIRST USED		06 F-SERIES	
DO NOT SCALE DRAWING			
TITLE: WIRING INSTL-GPS			
SHEET 4	PART NO	152094	REV

GPS CIRCUIT	FUNCTION	WIN CIRCUIT
YELLOW	BATTERY (+)	MK
BLACK	GROUND	GGV
RED	IGNITION (+)	LD
WHITE/BLUE	ILLUMINATION (+)	MM
ORANGE/WHITE	REVERSE LIGHTS (+)	NOT USED
GREEN/WHITE	VEHICLE SPEED SENSOR (VSS)	GGW
YELLOW/BLUE (PIN 7)	PARKING BRAKE (-)	NOT USED
PINK/SKY BLUE	IN-INT INTERRUPT (-) (AUDIO MUTE)	(NOT USED)
YELLOW/BLACK	FOOT BRAKE (+)	(NOT USED)
WHITE/BROWN	REMOTE	(NOT USED)



- NOTES:
- 8 USED ON R,P,G & F SERIES
 - 7 YEL/BLU WIRE IS SUPPLIED WITH MONITOR IN A SEPERATE BAG LABELED "REAR SEATE CONNECTOR" WITH A TERMINAL. INSERT TERMINAL INTO POSITION 1 OF ALPINE HOUSING & SPLICE TO GGV-GROUND WIRE. (NOTE: IT IS NOT THE SAME AS THE YEL/BLU FROM POSITION 7 IN ALPINE HOUSING.)
 - 6 USED ON THE S SERIES ONLY.
 - 5 WHITE CONNECTOR IS NOT USED. TAPE BACK INTO LOOM WITH TAPE 8363-01-000.
 - 4 CONNECT TOGETHER
 - 3 CUT WIRE ASM TO AVOID EXCESS WIRE BUNDLING AND TAPE UNUSED WIRES.
 - 2 CUT TERMINALS FROM VENDOR SUPPLIED WIRES AND SPLICE AS SHOWN.
 - 1 CUT RING TERMINAL FROM BLACK WIRE AND SPLICE AS SHOWN.



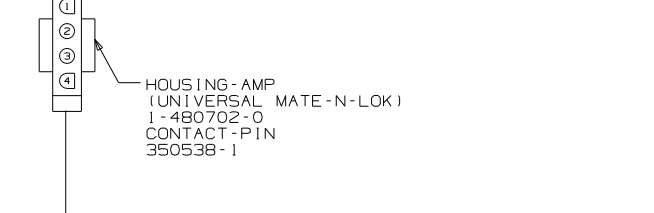
FOR ELECTRICAL CALLOUTS SEE DWG NO. 121339-01-000

15D GPS-NAVIGATION SYSTEM	
15D	
FIRST USED 06 S-SER	
DO NOT SCALE DRAWING	
TITLE: WIRING INSTL-GPS	
SHEET 5	PART NO 152094 REV

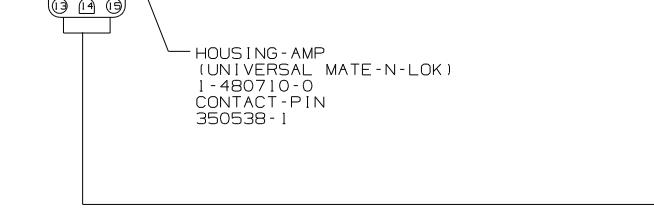
DWG NO	SHEET	DESCRIPTION
133004-01	1	2TK,DIG VOLT
133004-02	2	2T,DIG VOLT,SOLAR
133004-03	3	2TK, W/SOL & PAN
133004-04	4	2TK, W/O WAT HEAT
133004-05	5,6,7	2T,SOLAR/SENSOR

RELEASE	REV DATE	DWG NO	133004
REV ZONE	REVISION RECORD	DATE	DFTR-0R16

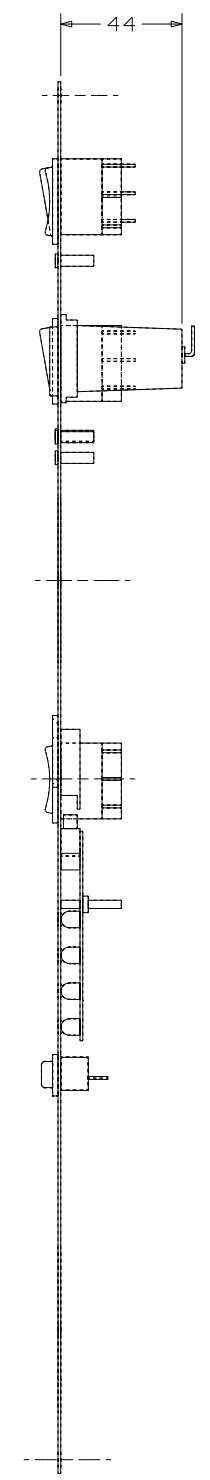
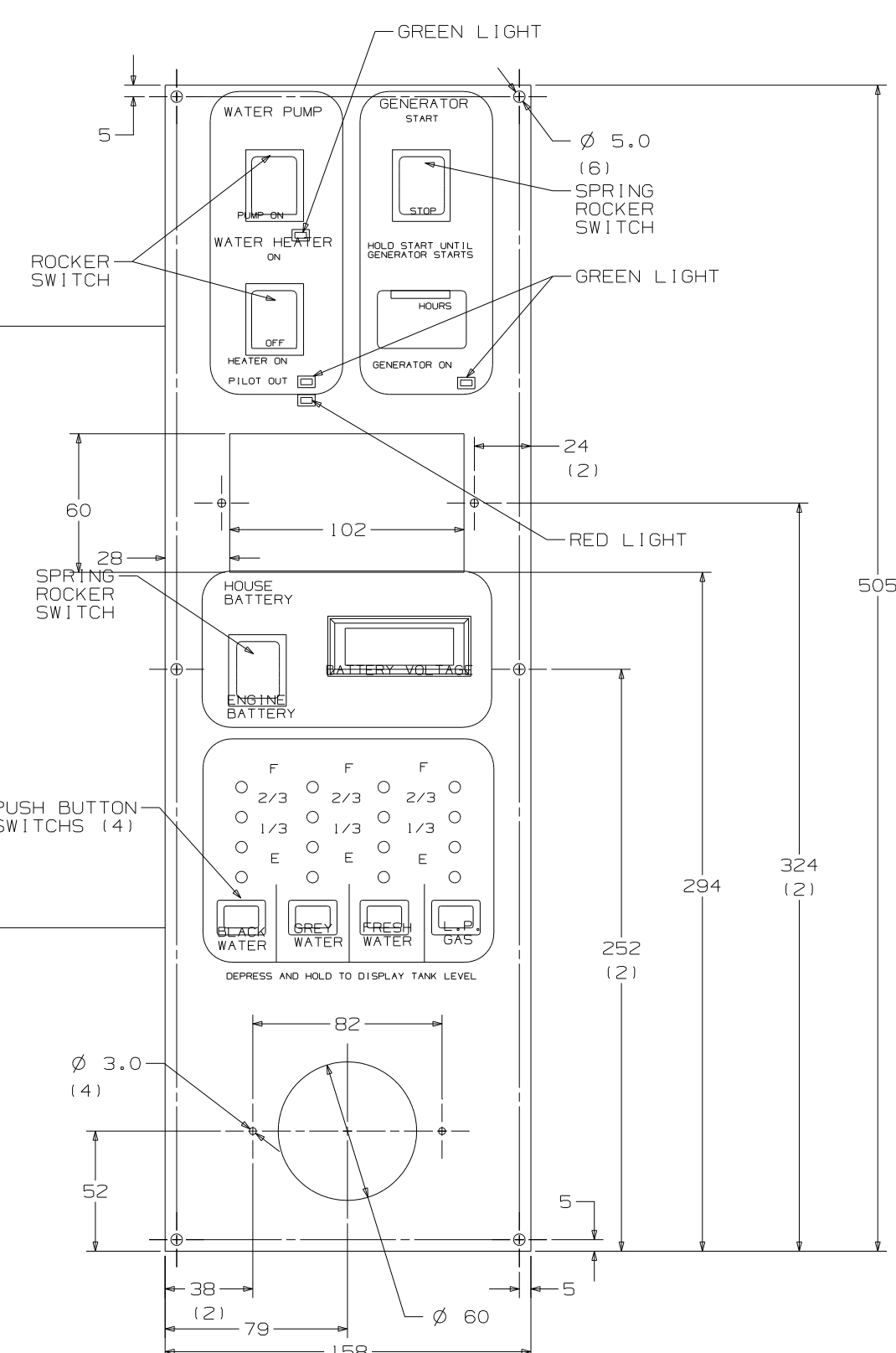
- PIN #
- 1. 16 RED GENERATOR METER (+)
 - 2. 16 YEL GENERATOR START
 - 3. 16 GRN GENERATOR STOP
 - 4. 16 BLK GENERATOR (-)



- PIN #
- 1. 14 BLK (HOUSE +12VDC)
 - 2. 14 (CHASSIS +12VDC)
 - 3. 14 WHT (GROUND)
 - 4. 20 RED (WATER TANK)
 - 5. 20 BRN (BLACK TANK)
 - 6. 20 GRY (GRAY TANK)
 - 7. 12 RED/WHT (REMOTE WATER PUMP SWITCH)
 - 8. 12 RED (WATER PUMP SWITCH)
 - 9. 12 WHT/RED (REMOTE WATER PUMP)
 - 10. BLANK
 - 11. BLANK
 - 12. 20 WHT/GRN (LP TANK SENSOR)
 - 13. 16 YEL (WATER HEATER IGNITION)
 - 14. BLANK
 - 15. 20 WHT/BLU (WATER HEATER INDICATOR)



- NOTES:
5. SWITCH RATING SHALL BE EMBOSSED ON THE SIDE OF THE 12V SWITCHES.
 4. CUTOUT FOR PANEL TO BE 135 X 350 MIN/ 140 X 380 MAX.
 3. LETTERS ON MAIN HEADING TO BE 5MM HIGH.
 2. BLACK PANEL WITH WHITE GRAPHICS.
 1. SUGGESTED VENDOR: VENLINE.



SEE CHART
FOR COLOR VARIATIONS
OF THIS PART

WINNEBAGO COPYRIGHT 2004 WINNEBAGO INDUSTRIES, INC.

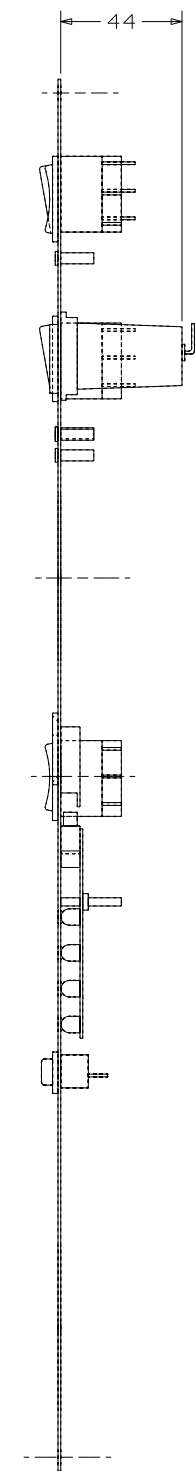
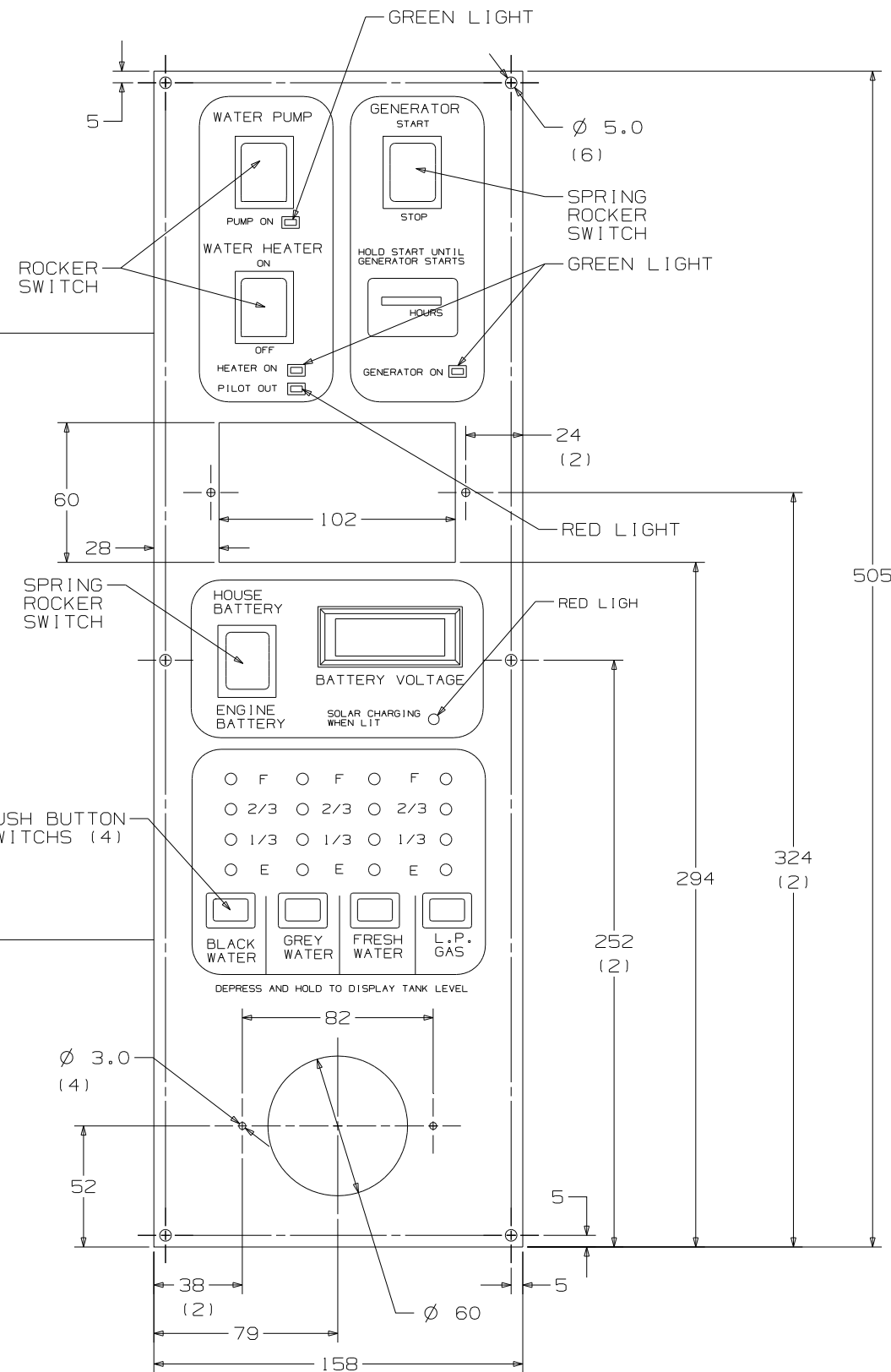
DFTR	ORIG. DATE
CHKR	ALL DIMENSIONS ARE IN MILLIMETERS
P.E.	FIRST USED
M.E.	STANDARDS
DSNR	
UNSPECIFIED TOLERANCES ARE:	
WHOLE DIM (X)	: 1
ONE-PLACE (X.X)	:
TWO-PLACE (X.XX)	:
ANGLE	:
THIRD ANGLE PROJECTION	
DO NOT SCALE DRAWING	
TITLE:	PANEL-MONITOR
SHEET 1 of 7	PART NO 133004
REF:	1 07/08/2004

- PIN #
- 1. 16 RED GENERATOR METER (+)
 - 2. 16 YEL GENERATOR START
 - 3. 16 GRN GENERATOR STOP
 - 4. 16 BLK GENERATOR (-)

HOUSING-AMP
(UNIVERSAL MATE-N-LOK)
1-480702-0
CONTACT-PIN
350538-1

- PIN #
- 1. 14 BLK (HOUSE +12VDC)
 - 2. 14 (CHASSIS +12VDC)
 - 3. 14 WHT (GROUND)
 - 4. 20 RED (WATER TANK)
 - 5. 20 BRN (BLACK TANK)
 - 6. 20 GRN (GRAY TANK)
 - 7. 12 RED/WHT (REMOTE WATER PUMP SWITCH)
 - 8. 12 RED (WATER PUMP SWITCH)
 - 9. 12 WHT/RED (REMOTE WATER PUMP)
 - 10. BLANK
 - 11. BLANK
 - 12. 20 WHT/GRN (LP TANK SENSOR)
 - 13. 16 YEL (WATER HEATER IGNITION)
 - 14. BLANK
 - 15. 20 WHT/BLU (WATER HEATER INDICATOR)

HOUSING-AMP
(UNIVERSAL MATE-N-LOK)
1-480710-0
CONTACT-PIN
350538-1



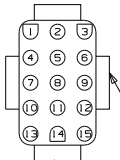
FIRST USED	STANDARDS
TITLE	DO NOT SCALE DRAWING
SHEET 2	PANEL - MONITOR
PART NO	133004

- PIN #
- 1. 16 RED GENERATOR METER (+)
 - 2. 16 YEL GENERATOR START
 - 3. 16 BRN GENERATOR STOP
 - 4. 16 BLK GENERATOR (-)



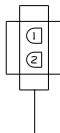
HOUSING-AMP
(UNIVERSAL-MATE-N-LOK)
1-480702-0
CONTACT-PIN
350538-1

- PIN #
- 1. 14 BLK (HOUSE +12VDC)
 - 2. 14 (CHASSIS +12VDC)
 - 3. 14 WHT (GROUND)
 - 4. 20 RED (WATER TANK)
 - 5. 20 BRN (BLACK TANK)
 - 6. 20 GRN (GRAY TANK)
 - 7. 12 RED/WHT (REMOTE WATER PUMP SWITCH)
 - 8. 12 RED (WATER PUMP SWITCH)
 - 9. 12 WHT/RED (REMOTE WATER PUMP)
 - 10. BLANK
 - 11. BLANK
 - 12. 20 WHT/GRN (LP TANK SENSOR)
 - 13. 16 YEL (WATER HEATER IGNITION)
 - 14. BLANK
 - 15. 20 WHT/BLU (WATER HEATER INDICATOR)



HOUSING-AMP
(UNIVERSAL-MATE-N-LOK)
1-480710-0
CONTACT-PIN
350538-1

HOUSING-AMP
(UNIVERSAL-MATE-N-LOK)
1-480698-0
PIN
350538-0

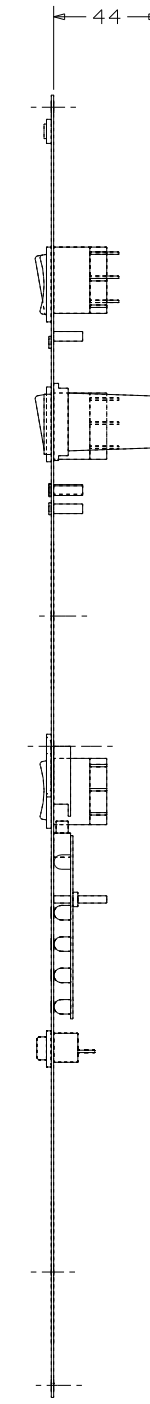
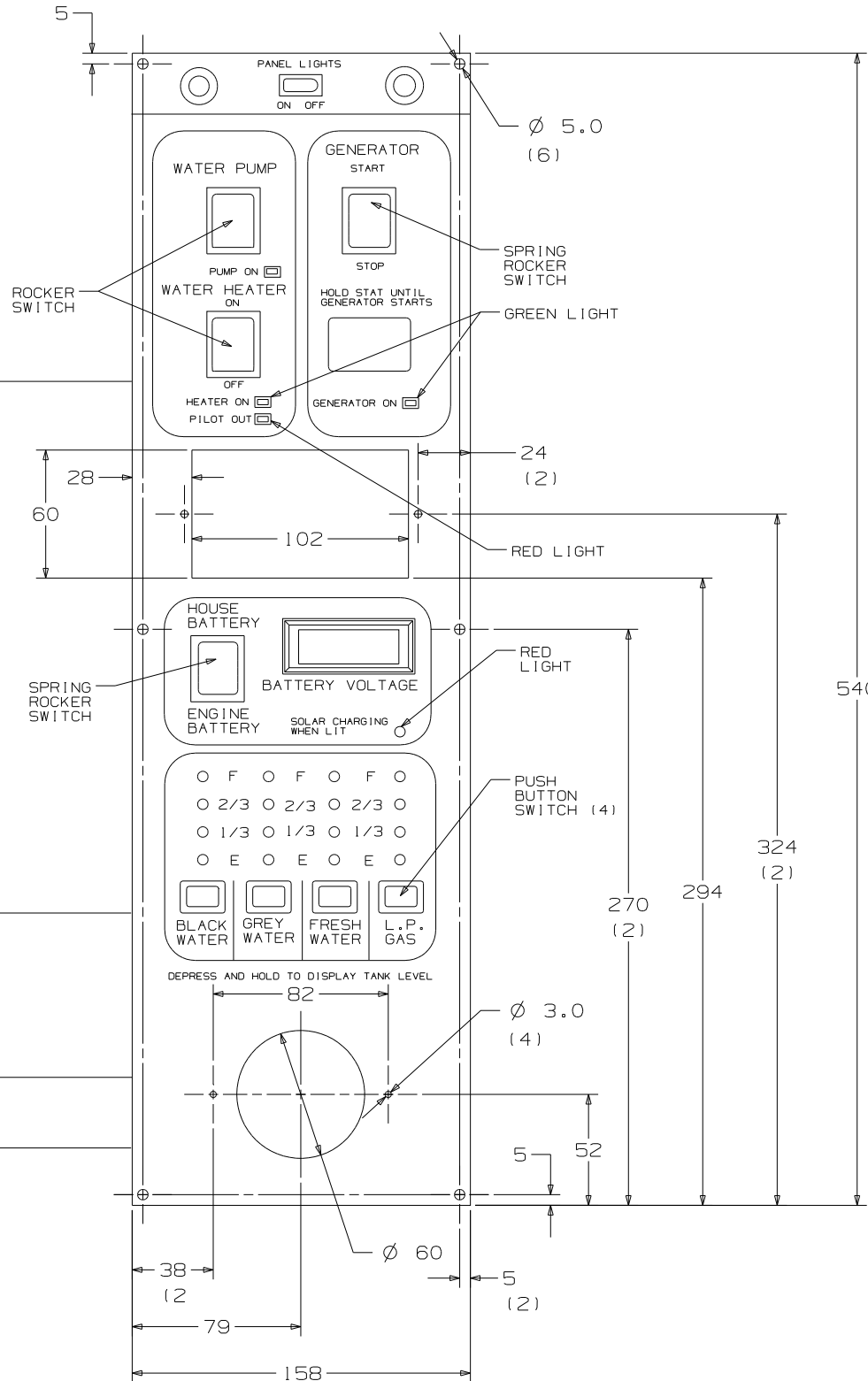


- PIN #
- 1. 16 BLK
 - 2. 16 RED

HOUSING-AMP
(UNIVERSAL-MATE-N-LOK)
1-480699-0
PIN
350537-0



- PIN #
- 1. 16 GRN
 - 2. 16 RED



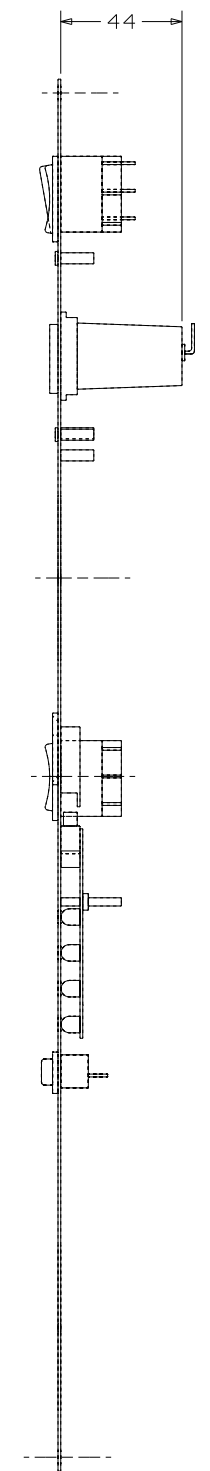
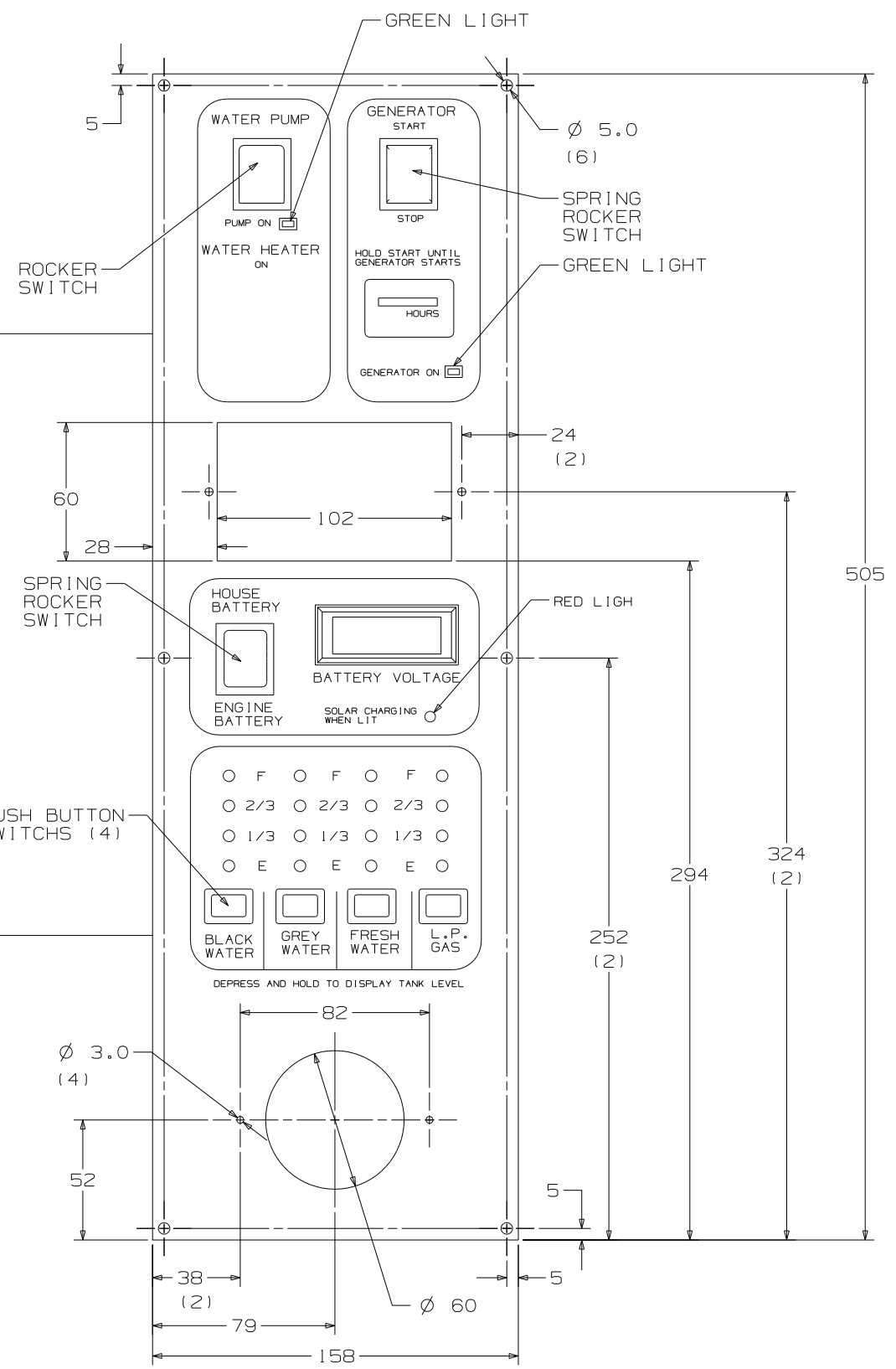
FIRST USED	STANDARD
TITLE	DO NOT SCALE DRAWING
	PANEL-MONITOR
SHEET 3	PART NO 133004

- PIN #
- 1. 16 RED GENERATOR METER (+)
 - 2. 16 YEL GENERATOR START
 - 3. 16 GRN GENERATOR STOP
 - 4. 16 BLK GENERATOR (-)

HOUSING - AMP
(UNIVERSAL MATE-N-LOK)
1-480702-0
CONTACT-PIN
350538-1

- PIN #
- 1. 14 BLK (HOUSE +12VDC)
 - 2. 14 (CHASSIS +12VDC)
 - 3. 14 WHT (GROUND)
 - 4. 20 RED (WATER TANK)
 - 5. 20 BRN (BLACK TANK)
 - 6. 20 GRY (GRAY TANK)
 - 7. 12 RED/WHT (REMOTE WATER PUMP SWITCH)
 - 8. 12 RED (WATER PUMP SWITCH)
 - 9. 12 WHT/RED (REMOTE WATER PUMP)
 - 10. BLANK
 - 11. BLANK
 - 12. 20 WHT/GRN (LP TANK SENSOR)
 - 13. BLANK
 - 14. BLANK
 - 15. BLANK

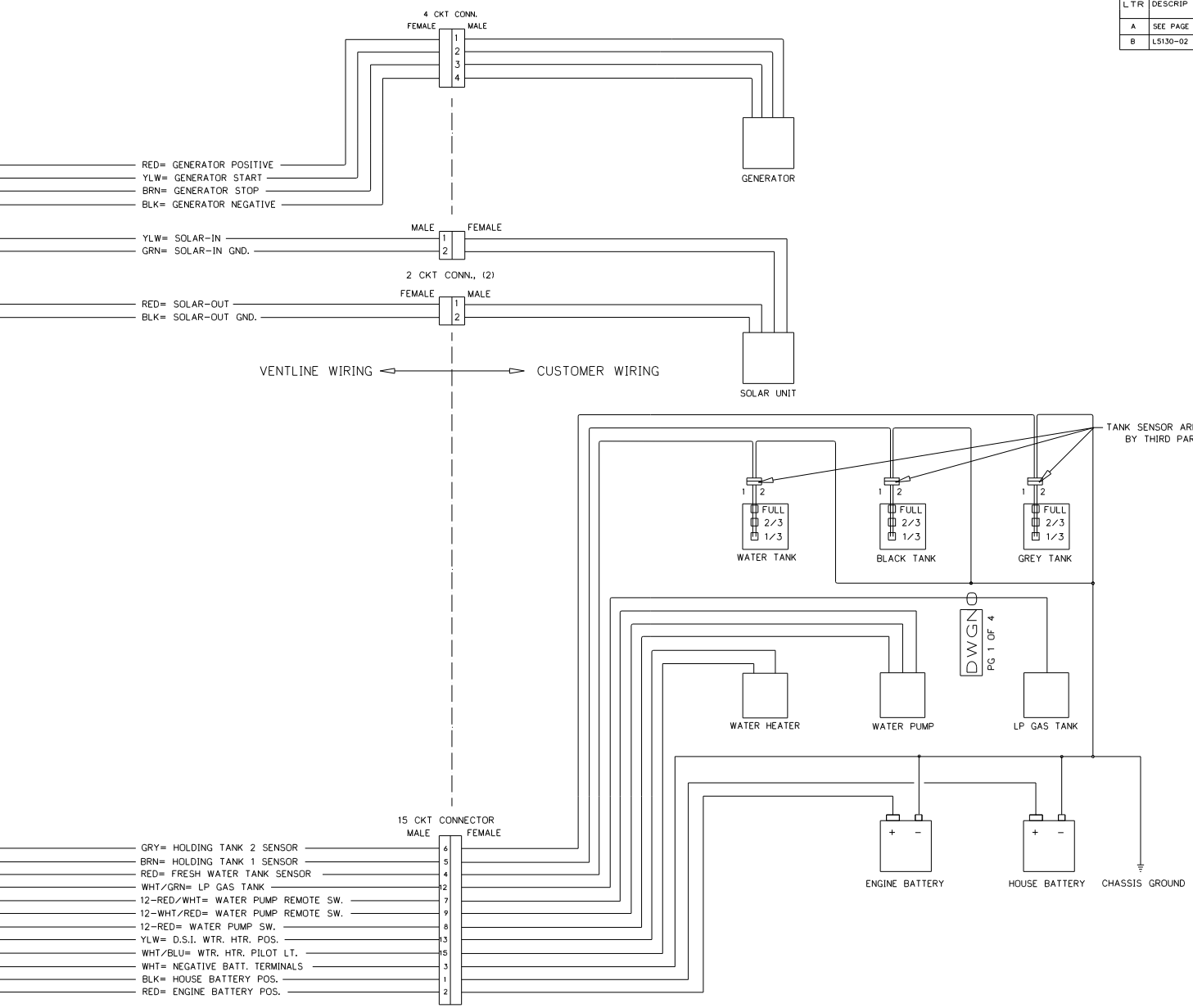
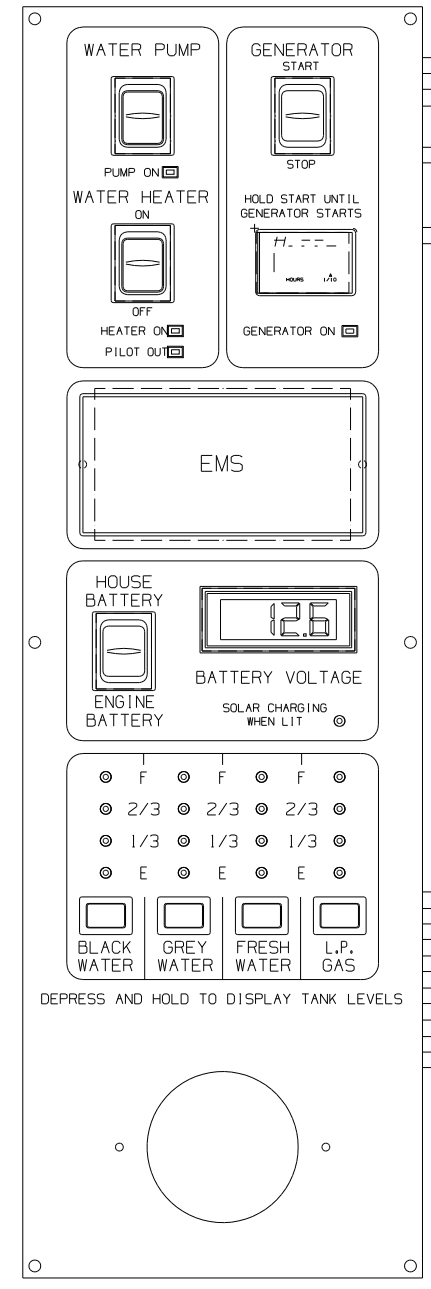
HOUSING - AMP
(UNIVERSAL MATE-N-LOK)
1-480710-0
CONTACT-PIN
350538-1



FIRST USED	STANDARDS
TITLE	DO NOT SCALE DRAWING
SHEET 4	PANEL - MONITOR
PART NO	133004

CONFIDENTIAL
 THIS DOCUMENT, INCLUDING ALL INFORMATION CONTAINED HEREIN IS THE EXCLUSIVE AND CONFIDENTIAL PROPERTY OF VENTLINE DIVISION OF TOMKINS INDUSTRIES INC. THE DOCUMENT AND INFORMATION ARE NOT TO BE COPIED, REPRODUCED OR DELIVERED TO OTHERS, IN WHOLE OR IN PART, WITHOUT THE EXPRESS WRITTEN PERMISSION OF VENTLINE. THE DOCUMENT IS TO BE RETURNED PROMPTLY TO VENTLINE AFTER HAVING SERVED THE PURPOSE FOR WHICH DELIVERED.
 ©1995 VENTLINE DIVISION, TOMKINS INDUSTRIES, INC.
 All Rights Reserved, including the right to reproduce this document or any part thereof

LTR.	DESCRIPTION	DATE	CHK. BY	APP. BY
A	SEE PAGE 3 ECN 16381	ECN 16261	4-6-04	R.L. R.L.
B	L5130-02 WAS L5113-04	ECN 16394	4-21-04	R.L. R.L.



- NOTES:
- UNLESS OTHERWISE SPECIFIED ALL WIRE IS 22 AWG.
 - REF. DWG.'S:
 HARNESS, INTERNAL & SWITCH= L7785-01, -02
 HARNESS, GEN. INTERNAL & SWITCH= L7786-00
 HARNESS, SOLAR LIGHT= L7722-00
 PCB= L5130-02
 HARNESS, TEST= L8012-00
 TEST BOX= L8506-00
 - ALL PIGTAILS TO BE SUPPLIED BY CUSTOMER.
 - BEFORE PACKING, SECURE HARNESS WITH V00169-00 TIE WRAP ON RIGHT SIDE POST.

ENGLISH (TOLERANCE UNLESS SPECIFIED)
 0 PL.: .040
 2 PL.: .010
 1 PL.: .020
 3 PL.: .005
 FRACTIONS 1/64

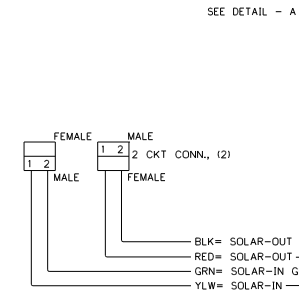
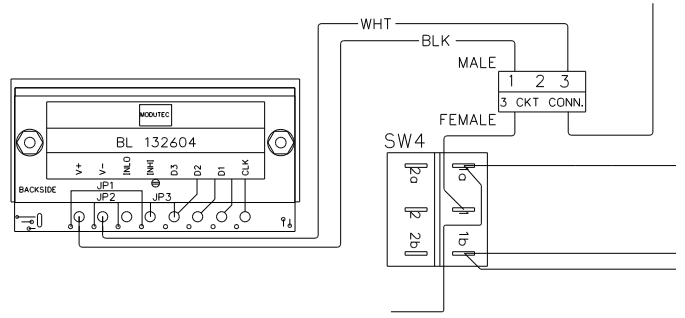
PART NO.	REV'D	MATERIAL	DESCRIPTION	DWG SIZE
BLANK		BLANK	WGT	USED
BLANK		WGT	USED	USED ON
DRWN DATE	DATE	MATERIAL	MATL	MATL
DRWN DATE	DATE	MATERIAL	MATL	MATL
CHECKED DATE	DATE	NAME	DWGNAME	DWGNAME
CHECKED DATE	DATE	NAME	DWGNAME	DWGNAME
APPV'D DATE	DATE	NAME	DWGNAME	DWGNAME
SCALE	SCALE	DWG. NO.	PG 1 OF 4	DWGNO

FIRST USED	STANDARD
TITLE	DO NOT SCALE DRAWING
TITLE	PANEL - MONITOR
SHEET 5	PART NO 133004

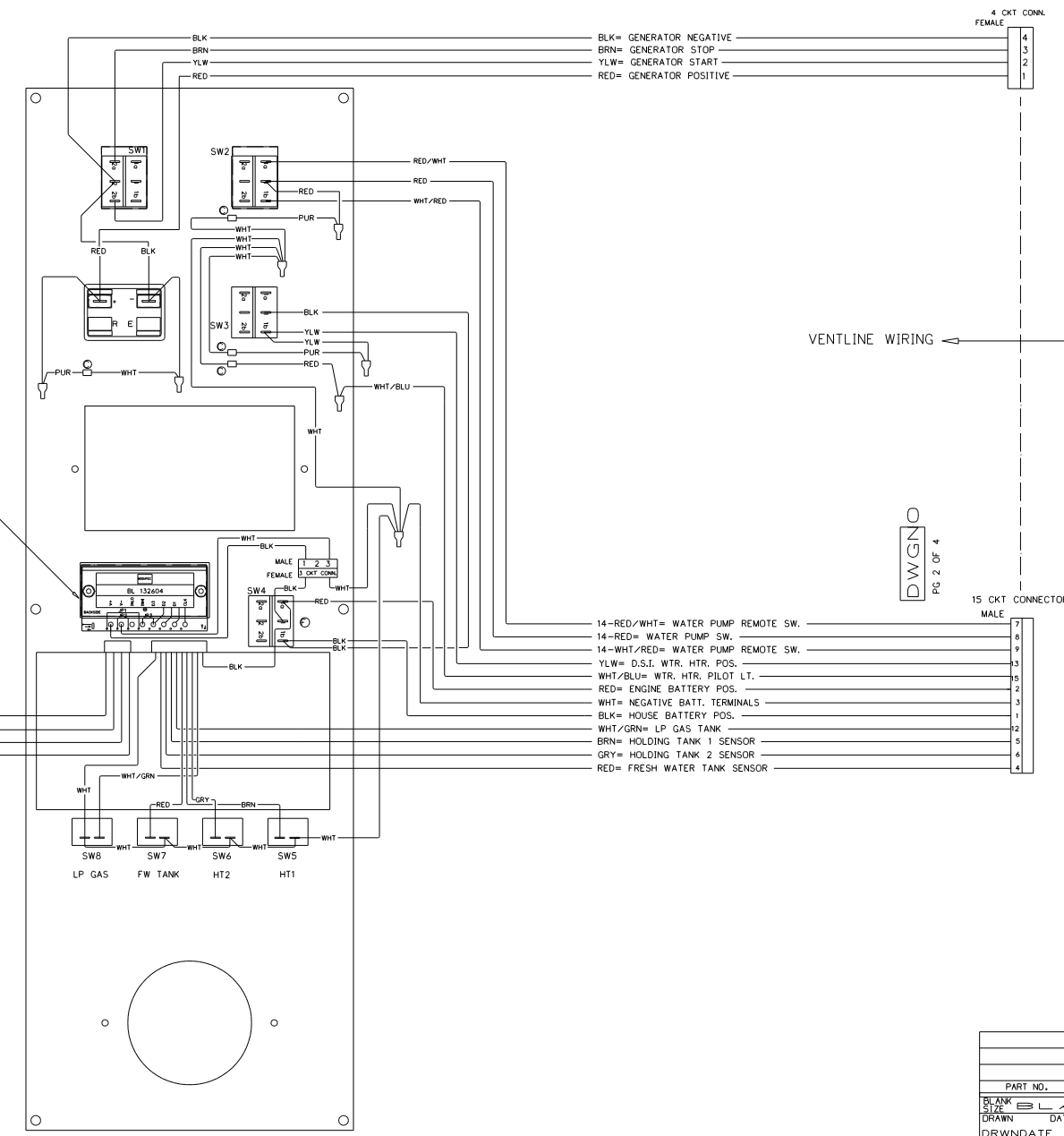
CONFIDENTIAL
 THIS DOCUMENT, INCLUDING ALL INFORMATION CONTAINED HEREIN IS THE EXCLUSIVE AND CONFIDENTIAL PROPERTY OF VENTLINE DIVISION OF TOMING INDUSTRIES INC. THE DOCUMENT AND INFORMATION ARE NOT TO BE COPIED, REPRODUCED OR DELIVERED TO OTHERS, IN WHOLE OR IN PART, WITHOUT THE EXPRESS WRITTEN PERMISSION OF VENTLINE. THE DOCUMENT IS TO BE RETURNED PROMPTLY TO VENTLINE AFTER HAVING SERVED THE PURPOSE FOR WHICH DELIVERED.
 ©1995 VENTLINE DIVISION, TOMING INDUSTRIES, INC.
 All Rights Reserved, including the right to reproduce this document in any part thereof.

LTR.	DESCRIPTION	DATE	CHK'D	APP'D
	ECN 16261			
A	SEE PAGE 3 ECN 16381	4-6-04	RUL	RUL
B	LS130-02 WAS LS113-04 ECN 16394	4-21-04	RUL	RUL

DETAIL - A



- NOTES:
- UNLESS OTHERWISE SPECIFIED ALL WIRE IS 22 AWG.
 - REF. DWG.'S:
 HARNESS, INTERNAL & SWITCH= L7785-01, -02
 HARNESS, GEN. INTERNAL & SWITCH= L7786-00
 HARNESS, SOLAR LIGHT= L7722-00
 PCB= LS130-02
 HARNESS, TEST= L8012-00
 TEST BOX= L8506-00
 - ALL PIGTAILS TO BE SUPPLIED BY CUSTOMER.
 - BEFORE PACKING, SECURE HARNESS WITH VD0167-00 TIE WRAP ON RIGHT SIDE POST.



BLK= GENERATOR NEGATIVE
 BRN= GENERATOR STOP
 YLW= GENERATOR START
 RED= GENERATOR POSITIVE

14-RED/WHT= WATER PUMP REMOTE SW.
 14-RED= WATER PUMP SW.
 14-WHT/RED= WATER PUMP REMOTE SW.
 YLW= D.S.I. WTR. HTR. POS.
 WHT/BLU= WTR. HTR. PILOT LT.
 RED= ENGINE BATTERY POS.
 WHT= NEGATIVE BATT. TERMINALS
 BLK= HOUSE BATTERY POS.
 WHT/GRN= LP GAS TANK
 BRN= HOLDING TANK 1 SENSOR
 GRY= HOLDING TANK 2 SENSOR
 RED= FRESH WATER TANK SENSOR

DWG NO
 PG 2 OF 4

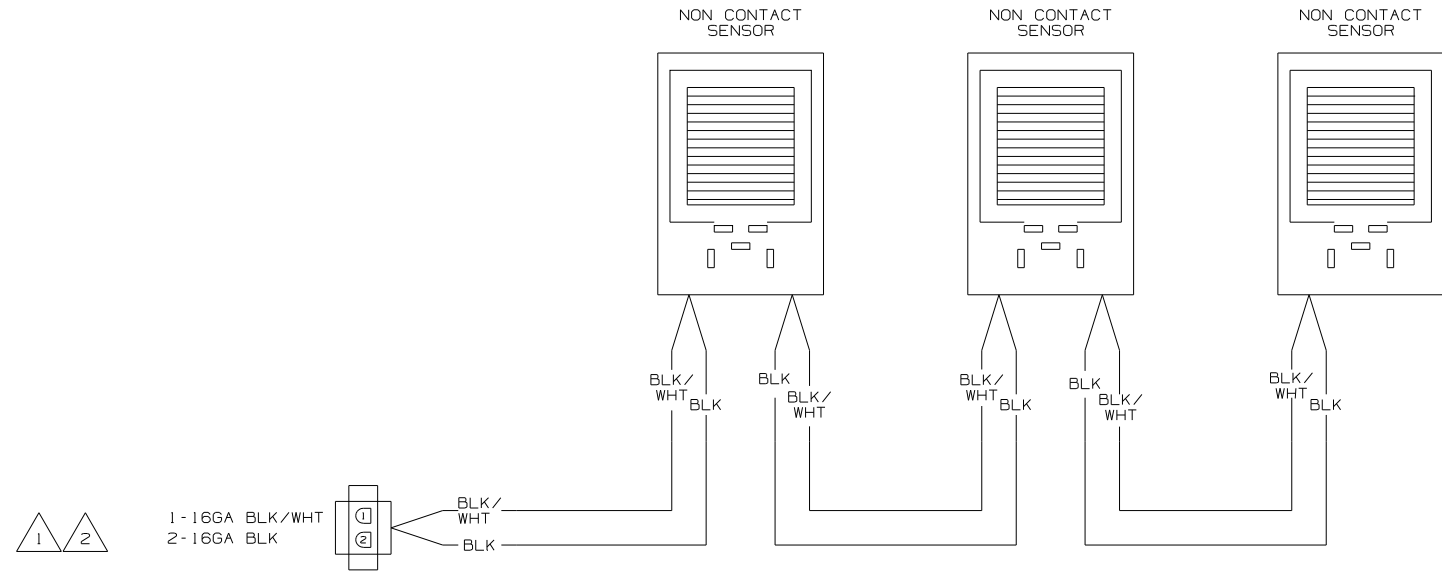
ENGLISH (TOLERANCE UNLESS SPECIFIED)
 0 PL.: .040 1 PL.: .020
 2 PL.: .010 3 PL.: .005
 FRACTIONS: 1/64

PART NO.	REV'D	MATERIAL	DESCRIPTION	DWG SIZE
BLANK SIZE		BLANK	WGT USED	USED ON
DRAWN	DATE	MATERIAL		
DRWNDATE		MATL	MATL	
CHECKED	DATE			
CHECKDATE				
APPV'D	DATE			

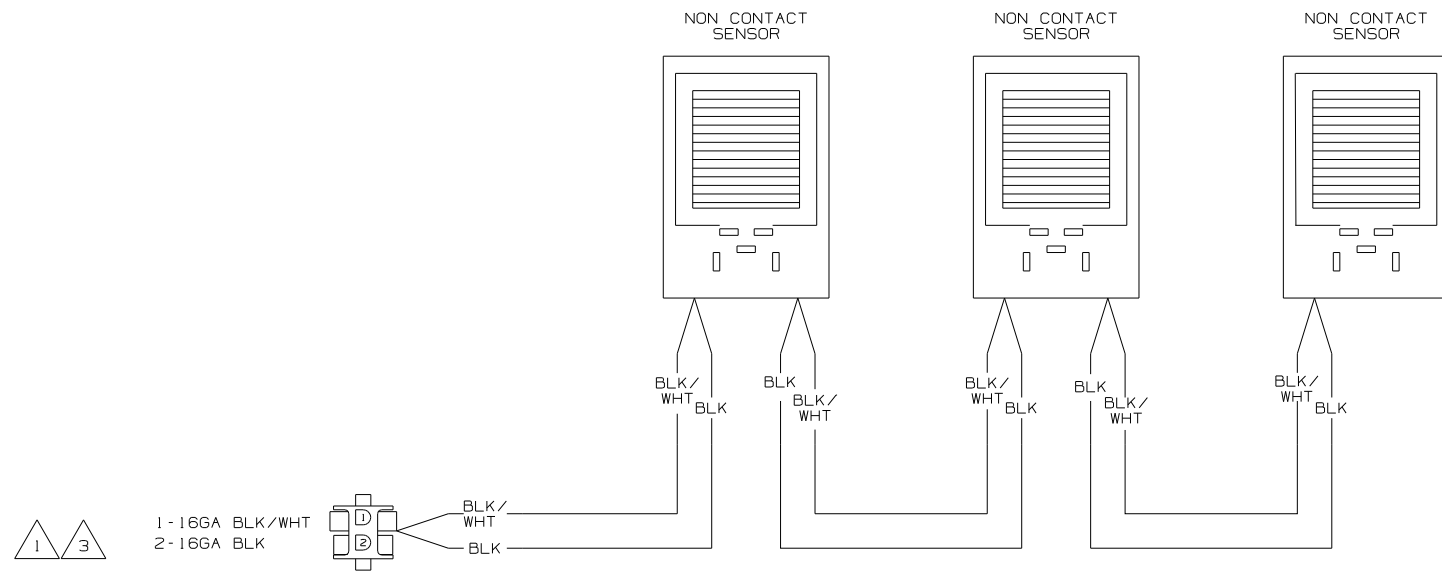
PHILIPS IND. INC.
 VENTLINE DIVISION
 BRISTOL, INDIANA 46507

SCALE: SCALE
 DWG. NO. PG 2 OF 4
 DWGNO

FIRST USED	STANDARD
TITLE:	DO NOT SCALE DRAWING
	PANEL - MONITOR
SHEET 7	PART NO 133004



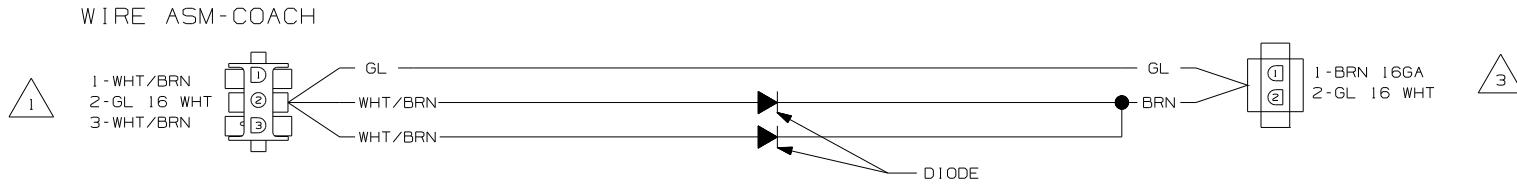
WIRING DIAGRAM-TANK, WATER
OR
WIRING DIAGRAM-TANK, MAIN
(WIRE ASM-151316 REV A)



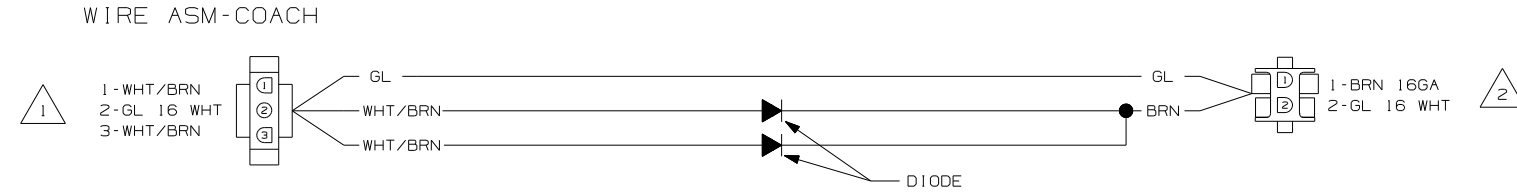
WIRING DIAGRAM-AUX HOLDING
(WIRE ASM-151317 REV A)

- NOTES:
- 3 IF TWO MONITOR PANELS ARE UTILIZED THIS WIRE ASM CONNECTS TO WIRE ASM-TANK,DIODE PACK 151808-01 SHT2.
 - 2 IF TWO MONITOR PANELS ARE UTILIZED THIS WIRE ASM CONNECTS TO WIRE ASM-TANK,DIODE PACK 151808-02 SHT2.
 - 1 IF ONLY ONE MONITOR PANEL IS USED SEE WIRING DIAGRAM-BODY FOR ADDITIONAL INFORMATION.

WINNEBAGO		COPYRIGHT 2004 WINNEBAGO INDUSTRIES, INC.	
DFTR	ORIG. DATE		
CHKR	ALL DIMENSIONS ARE IN MILLIMETERS		
P.E.			
M.E.	FIRST USED		
DSNR	05 MOTOR HOMES		
UNSPECIFIED TOLERANCES ARE:		MATERIAL:	
WHOLE DIM (X)	:	1	*
ONE-PLACE (X.X)	:		*
TWO-PLACE (X.XX)	:		*
ANGLE	:		*
THIRD ANGLE PROJECTION	:		*
DO NOT SCALE DRAWING			
TITLE: WIRING DIAGRAM-HOLDING TANKS			
SHEET 1 OF 2	PART NO	152594	
REF: NONE		1 9/8/2004	



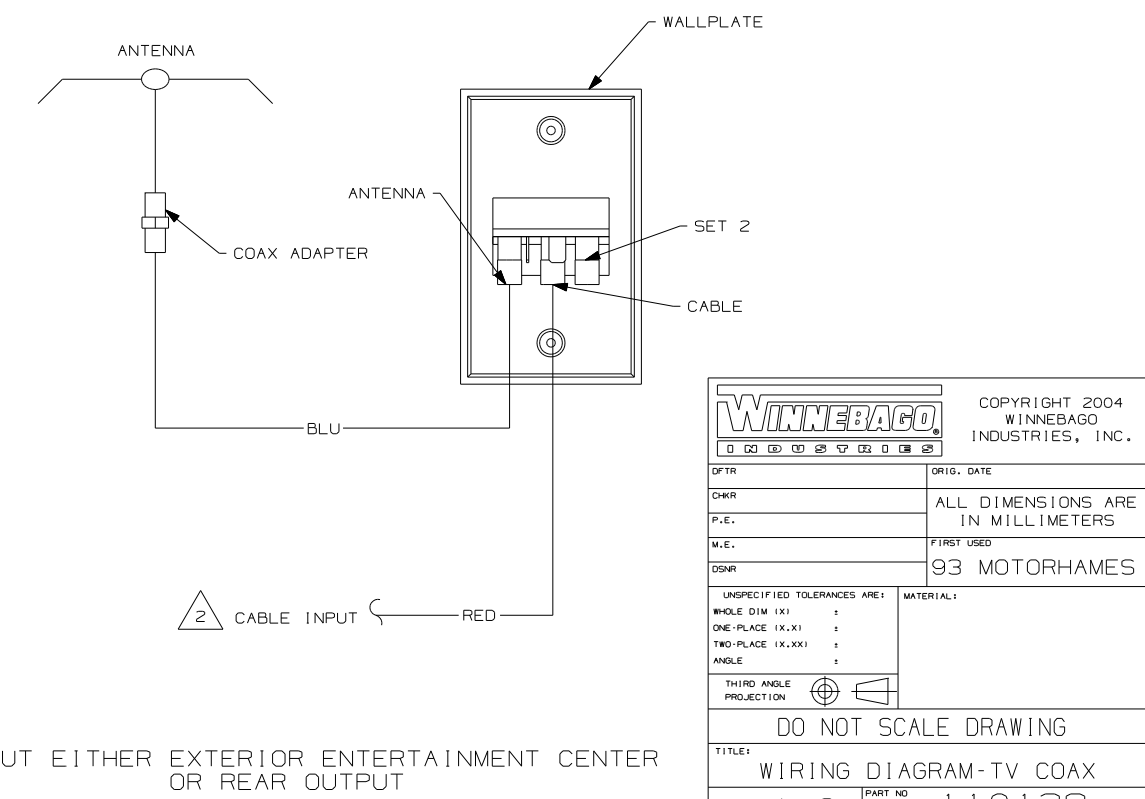
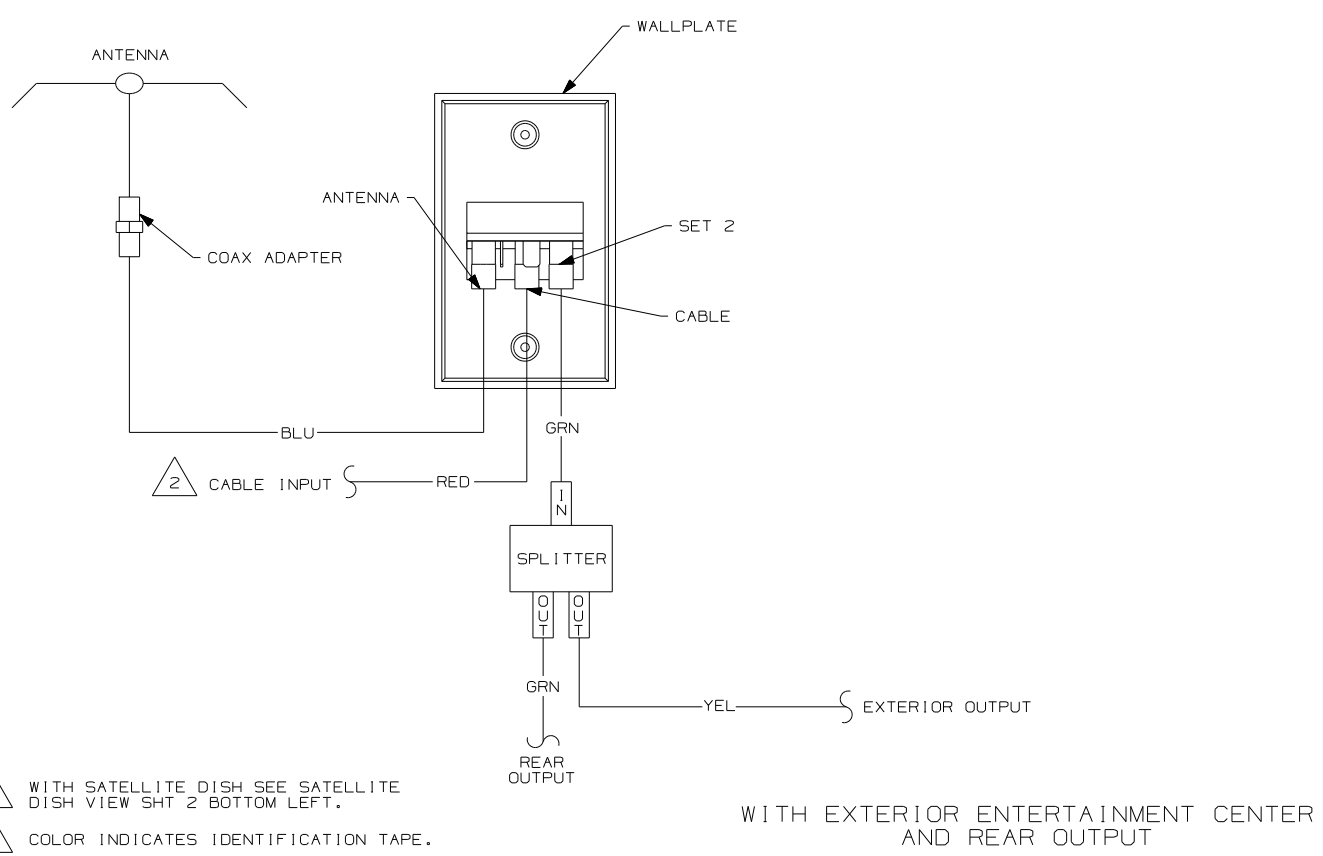
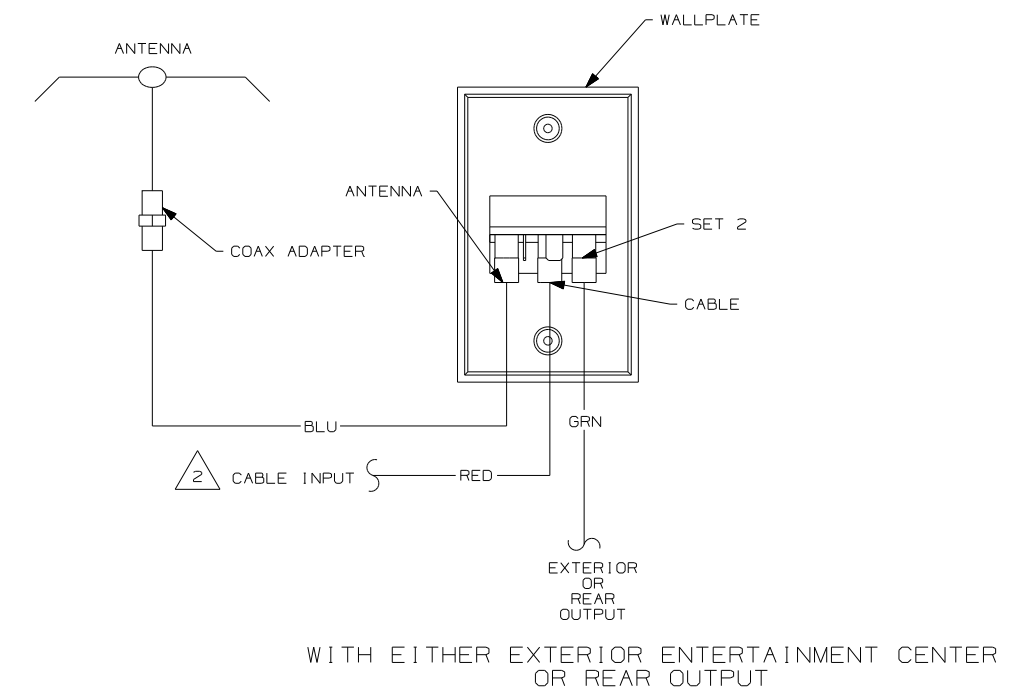
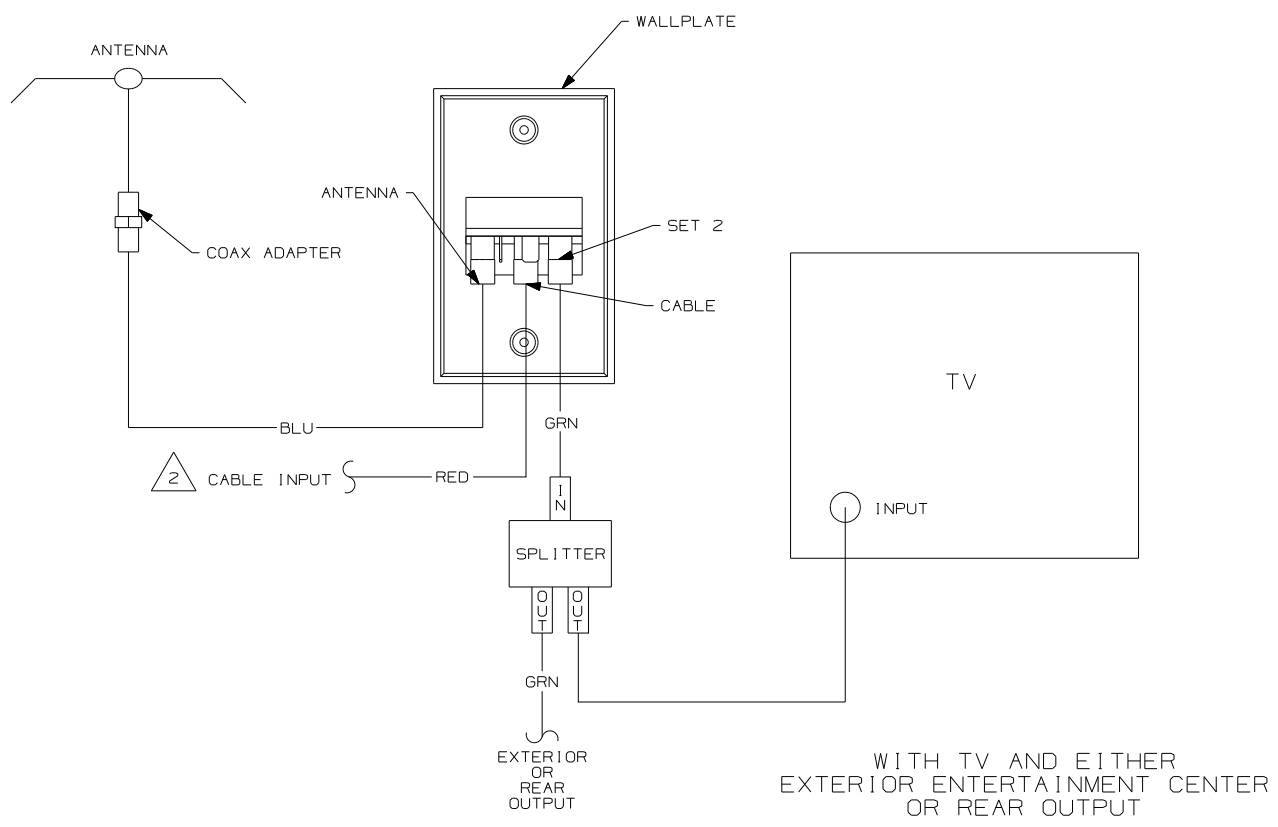
WIRING DIAGRAM-TANK,DIODE PACK
151808-01-000 REV A



WIRING DIAGRAM-TANK,DIODE PACK
151808-02-000 REV A

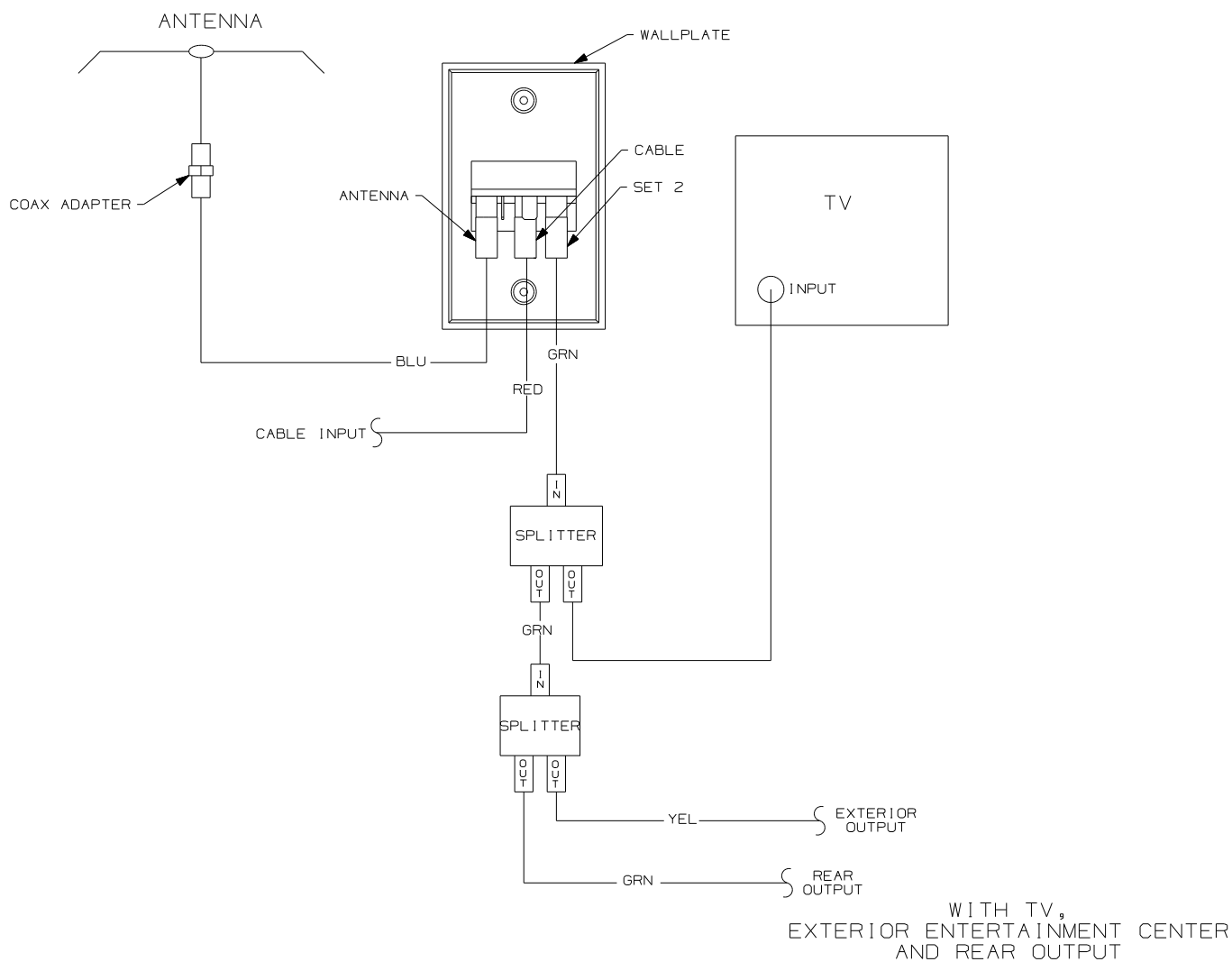
- NOTES:
- 3 CONNECT TO WIRE ASM-TANK,AUX. SEE SHT 1.
 - 2 CONNECT WIRE ASM-TANK,WATER OR MAIN. SEE SHT 1.
 - 1 SEE WIRING DIAGRAM-BODY FOR ADDITIONAL INFORMATION.

FIRST USED	
05 MOTOR HOMES	
DO NOT SCALE DRAWING	
TITLE:	
WIRING DIAGRAM-HOLDING TANKS	
SHEET 2	PART NO
	152594

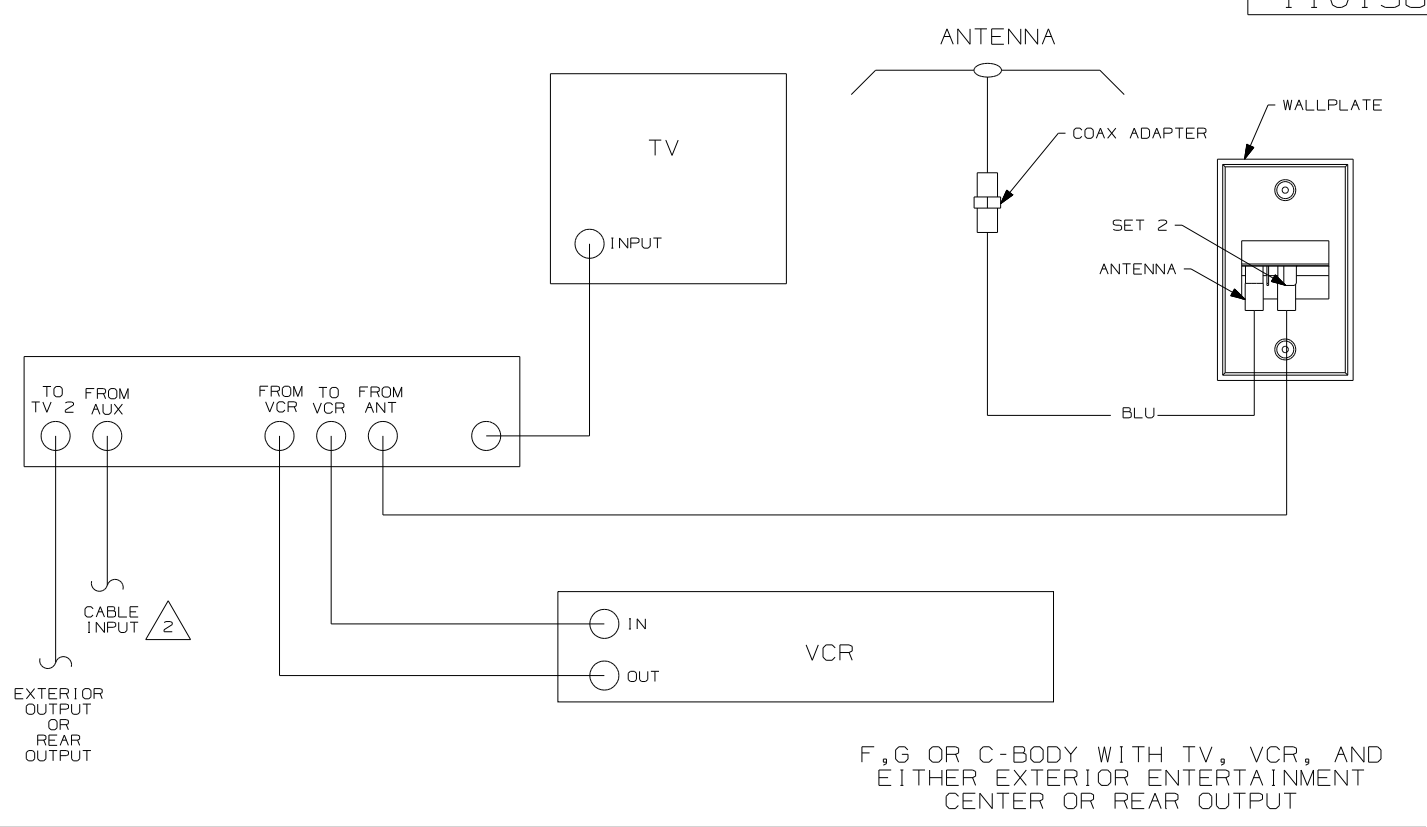


NOTES:
 2 WITH SATELLITE DISH SEE SATELLITE DISH VIEW SHT 2 BOTTOM LEFT.
 1 COLOR INDICATES IDENTIFICATION TAPE.

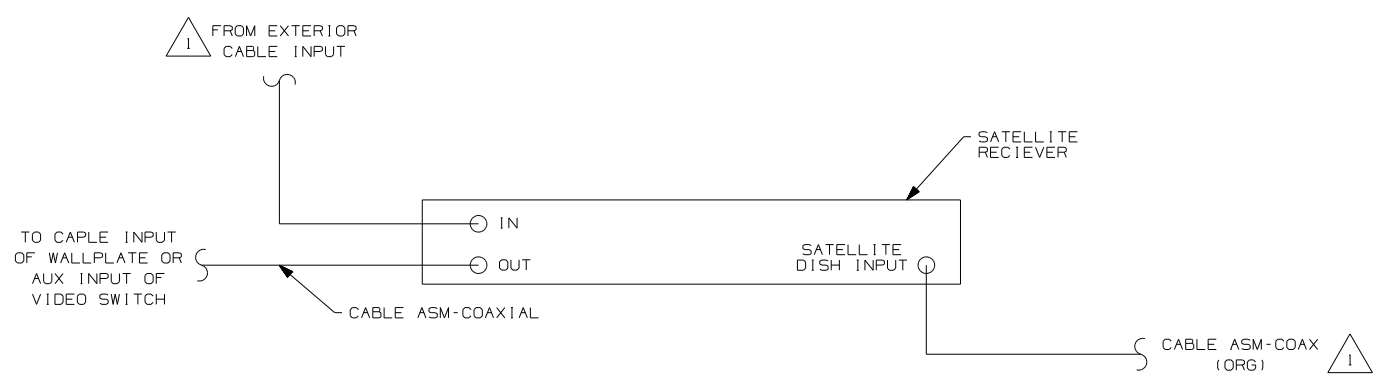
WINNEBAGO		COPYRIGHT 2004 WINNEBAGO INDUSTRIES, INC.	
DFTR	ORIG. DATE	ALL DIMENSIONS ARE IN MILLIMETERS	
CHKR		FIRST USED	
P.E.		93 MOTORHAMES	
M.E.		UNSPECIFIED TOLERANCES ARE:	
DSNR		MATERIAL:	
		WHOLE DIM (X)	:
		ONE-PLACE (X.X)	:
		TWO-PLACE (X.XX)	:
		ANGLE	:
		THIRD ANGLE PROJECTION	⊕
DO NOT SCALE DRAWING			
TITLE: WIRING DIAGRAM-TV COAX			
SHEET 1 OF 2	PART NO	110138	
REF:		1 07/08/2004	



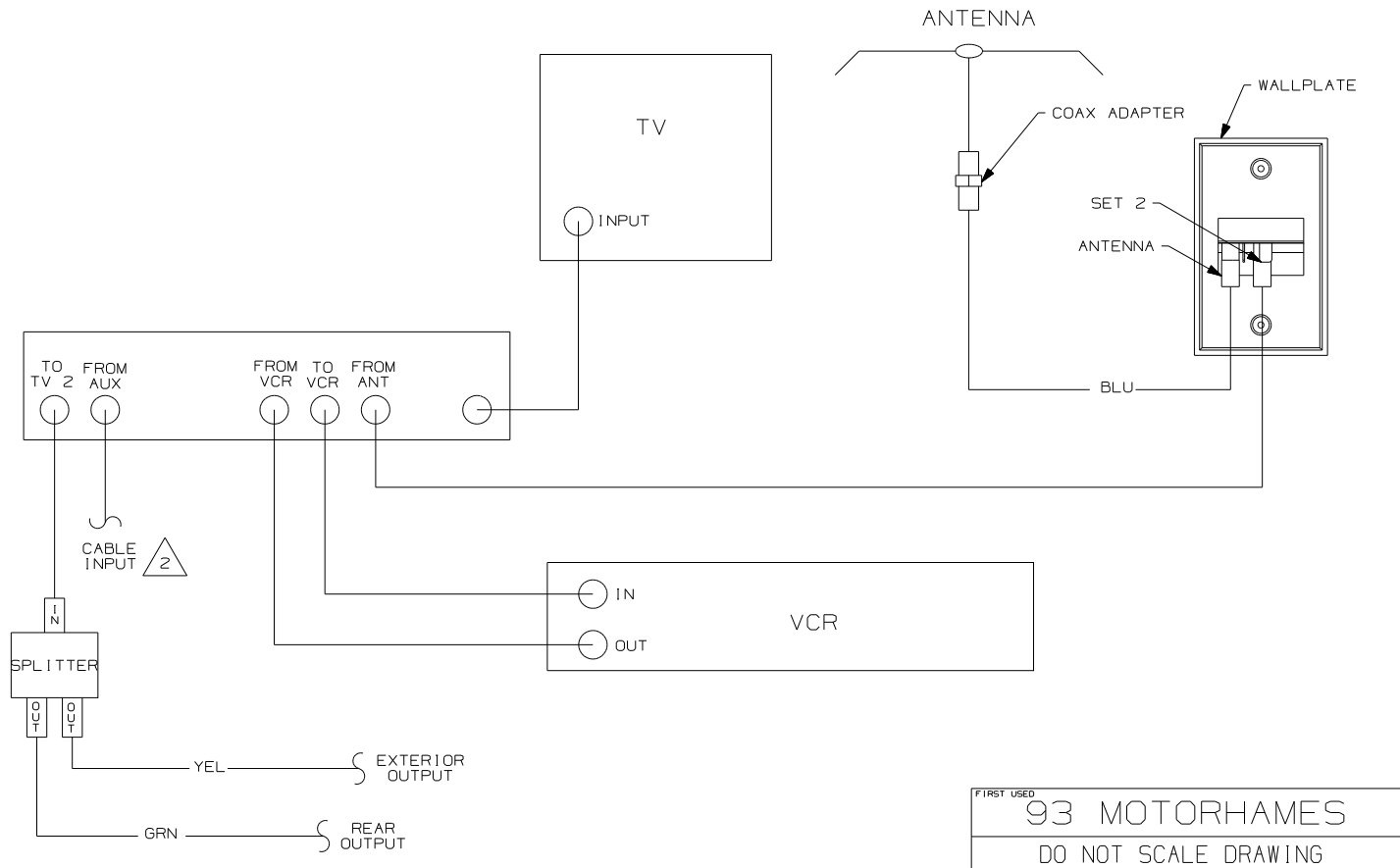
WITH TV, EXTERIOR ENTERTAINMENT CENTER AND REAR OUTPUT



F,G OR C-BODY WITH TV, VCR, AND EITHER EXTERIOR ENTERTAINMENT CENTER OR REAR OUTPUT



- NOTES:
- 2 WITH SATELLITE DISH SEE SATELLITE DISH VIEW BOTTOM LEFT.
 - 1 CONNECT TV COAX TO JACK ON FRONT OF WALLPLATE.

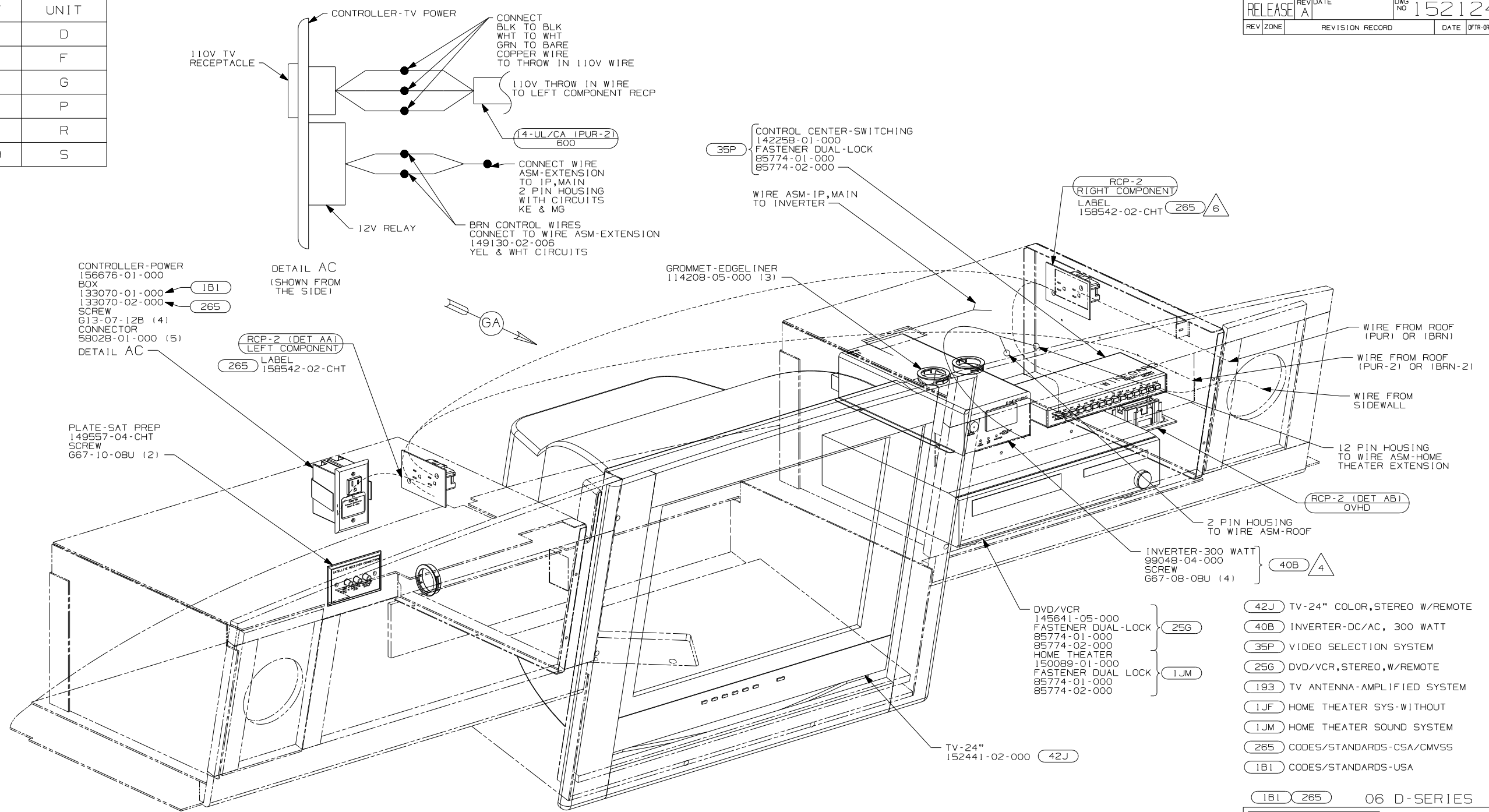


N,M OR P-SERIES WITH TV AND VCR OR F,G OR C-BODY WITH TV, VCR, EXTERIOR ENTERTAINMENT CENTER AND REAR OUTPUT

FIRST USED	93 MOTORHAMES
DO NOT SCALE DRAWING	
TITLE:	WIRING DIAGRAM-TV COAX
SHEET 2	PART NO 110138

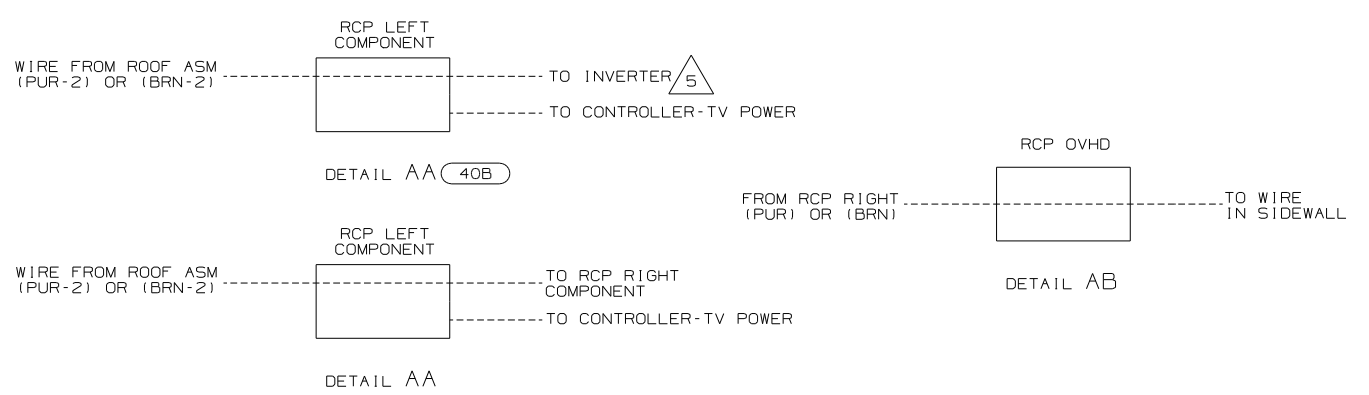
DRAWING NO.	SHEET	UNIT
152124-01	1,7	D
152124-02	2,8	F
152124-03	3,8	G
152124-04	4,8	P
152124-05	5,8	R
152124-06	6,8,9	S

RELEASE	REV/DATE	OWG NO	152124
REV ZONE	REVISION RECORD	DATE	DFTR-ORIG



- 6 WITH (1JF) AND WITHOUT (256)
 5 CONNECT PURPLE-2/BROWN-2 TO INVERTER WITH FEATURE (40B)
 4 WHEN THE INVERTER IS USED IN CONJUNCTION WITH VINYL COVERED PANEL REMOVE FABRIC FROM HOLES SUPPLIED IN DIELECTRIC PANEL FOR VENTILATION.
 3. WHERE WIRES PASS THROUGH HOLES IN STEEL AND NOT OTHERWISE PROTECTED, USE GROMMET 92908-02-000.
 2. ALL WIRES TO BE SECURED WITH CLAMP 10495-01-000 OR CLIP 80734-01-000 EVERY 600MM. USE SCREW 667-10-12B UNLESS OTHERWISE SPECIFIED.
 1. 110V WIRE TO BE CLAMPED WITH CLAMP 10497-05-000 WITHIN 200MM OF OUTLET BOXES, USE SCREW 667-10-12B.

NOTES:



- (42J) TV-24" COLOR, STEREO W/REMOTE
- (40B) INVERTER-DC/AC, 300 WATT
- (35P) VIDEO SELECTION SYSTEM
- (256) DVD/VCR, STEREO, W/REMOTE
- (193) TV ANTENNA-AMPLIFIED SYSTEM
- (1JF) HOME THEATER SYS-WITHOUT
- (1JM) HOME THEATER SOUND SYSTEM
- (265) CODES/STANDARDS-CSA/CMVSS
- (1B1) CODES/STANDARDS-USA

(1B1) (265) 06 D-SERIES

WINNEBAGO COPYRIGHT 2006 WINNEBAGO INDUSTRIES, INC.

DFTR	ORIG. DATE
CHKR	ALL DIMENSIONS ARE IN MILLIMETERS
P.E.	
M.E.	FIRST USED
DSNR	06 A-BODIES

UNSPECIFIED TOLERANCES ARE: MATERIAL:

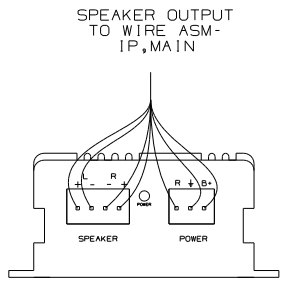
WHOLE DIM (X) :
 ONE-PLACE (X.X) :
 TWO-PLACE (X.XX) :
 ANGLE :
 THIRD ANGLE PROJECTION

DO NOT SCALE DRAWING

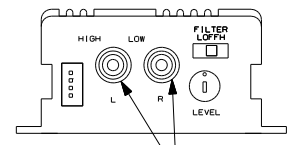
TITLE: WIRING INSTL-TV/DVD, FRONT

SHEET 1 of 9 PART NO 152124 REV

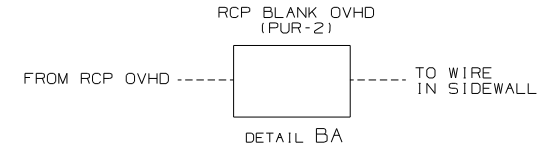
REF: 1 6/15/2006



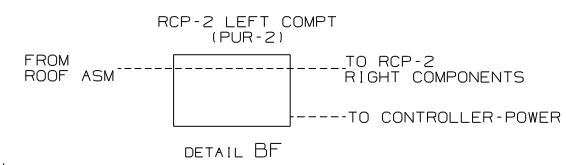
DETAIL BD



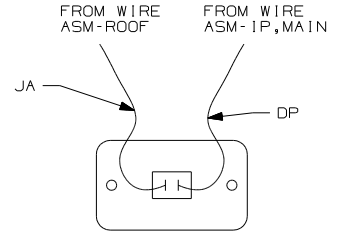
CONNECT RCA CABLE FROM TV AUDIO OUTPUT HERE



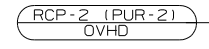
DETAIL BA



DETAIL BF



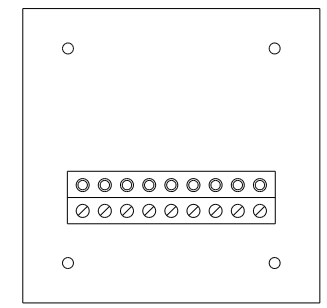
DETAIL BE



GROMMET-EDGE LINER 114208-05-000 (4)

SWITCH 89308-01-CHT
PLATE-SWITCH 98351-09-CHT
SCREW 611-06-10J (2)
DETAIL BE

CONTROL CENTER-SWITCHING 142258-01-000 (35P)



DETAIL BF (REAR VIEW) 78K

RCP-2 (DET BF) LEFT COMPONENT LABEL 158542-02-CHT 265

PLATE-SAT PREP 149557-04-CHT
SCREW 667-10-08U (2)

AMPLIFIER-TV, STEREO 147139-01-000
WIRE ASM-STEREO KIT 147139-02-000
FASTENER-DUAL LOCK 85774-01-000
85774-02-000
DETAIL BD

TRANSMITTER 149750-03-000 (2)
TAPE-FOAM DBL COATED 76322-21-000 (2)

CONTROLLER-POWER 156676-01-000 BOX
133070-01-000
133070-02-000
SCREW 613-07-12B (4)
CONNECTOR 58028-01-000 (3)
DETAIL BG

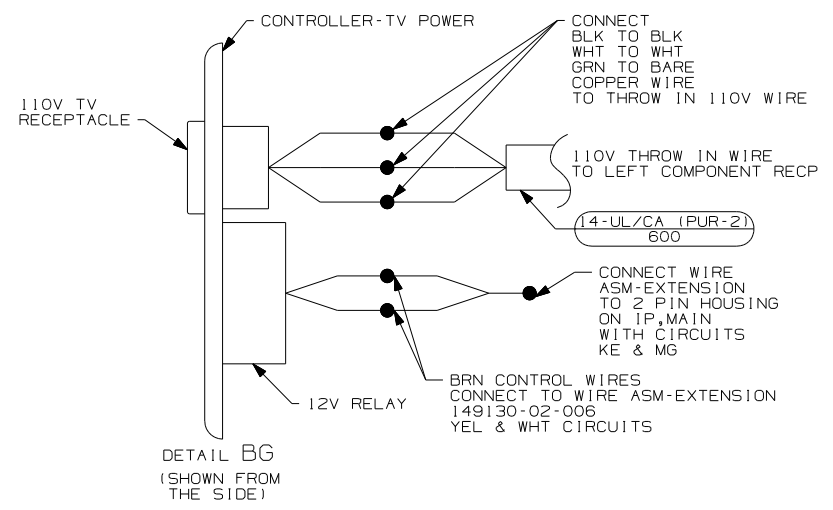
MODULE-INTERFACE, 1R 149750-04-000
FASTENER-DUAL LOCK 85774-01-000
85774-02-000

DVD/VCR 146396-04-000
FASTENER-DUAL-LOCK 85774-01-000
85774-02-000
HOME THEATER 158931-01-000
FASTENER DUAL LOCK 85774-01-000
85774-02-000
WIRE ASM-JUMPER, SPEAKER 153349-01-000

TV-24" STEREO 146299-02-000 (42J)

- 7 WITHOUT 25G
- 6 REMOVE VINYL FROM CUTOUT AT INSTALLATION.
- 5 FOR USE WITH SHELLS ONLY.
- 4 SWITCH SUPPLIED WITH SATELLITE DISH. SEE WIRING INSTL-BODY, 12V FOR ADDITIONAL INFORMATION.
- 3. WHERE WIRES PASS THROUGH HOLES IN STEEL AND NOT OTHERWISE PROTECTED, USE GROMMET 92908-02-000.
- 2. ALL WIRES TO BE SECURED WITH CLAMP 10495-01-000 OR CLIP 80734-01-000 EVERY 600MM. USE SCREW 667-10-12B UNLESS OTHERWISE SPECIFIED.
- 1. 110V WIRE TO BE CLAMPED WITH CLAMP 10497-05-000 WITHIN 200MM OF OUTLET BOXES, USE SCREW 667-10-12B.

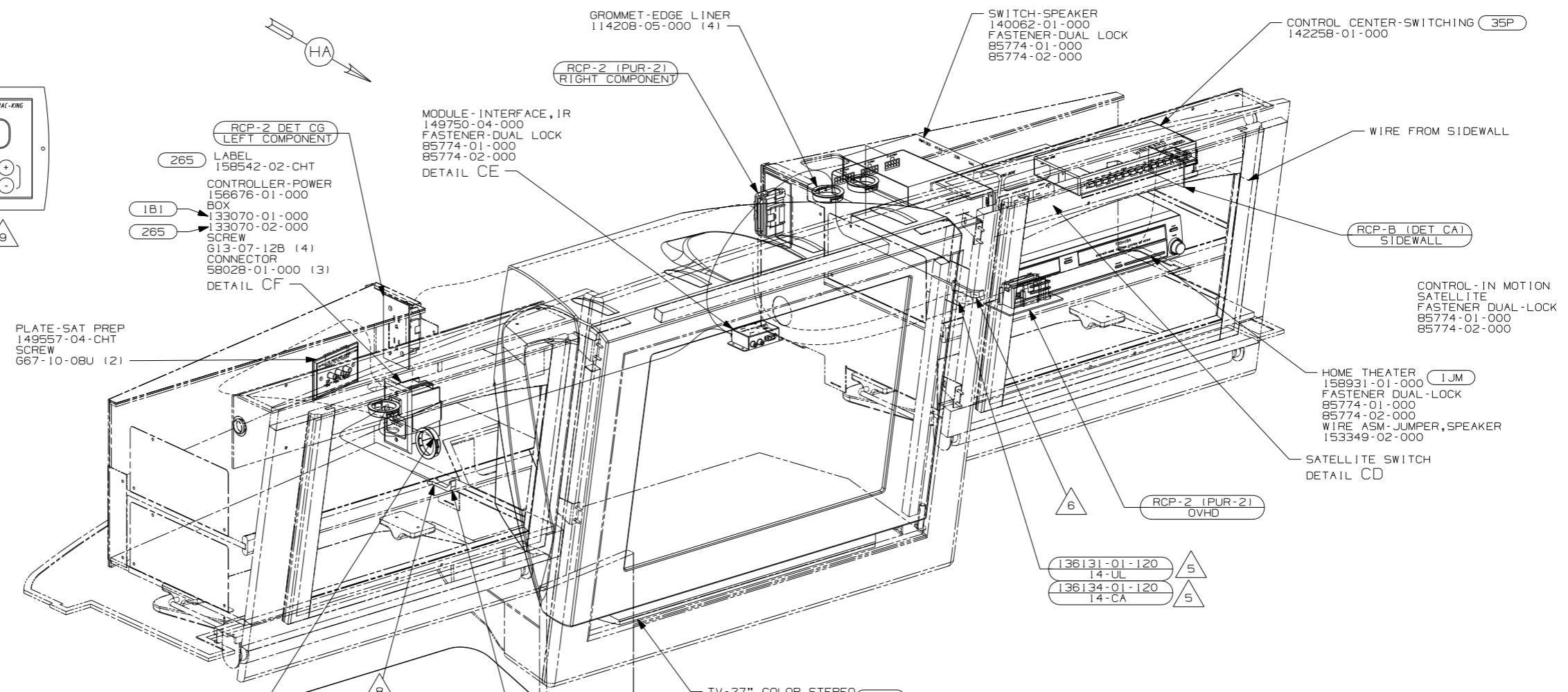
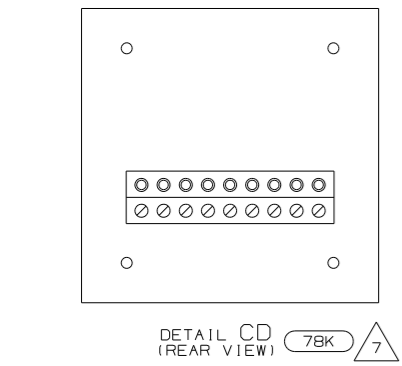
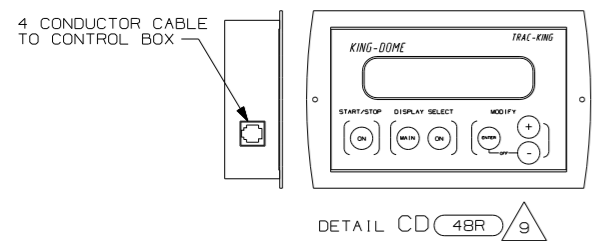
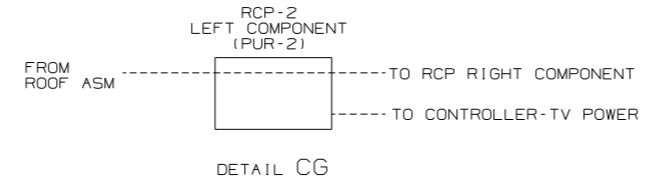
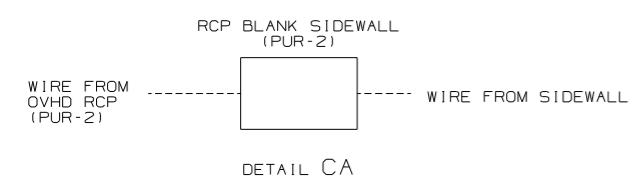
- 11 WITH 1JF AND 25H
- 10 POSITION TRANSMITTER ON THE FRONT LEFT SIDE OF THE DVD/VCR USING TIE-MOUNT 155366-01-000 AND TIE-WIRE 8343-01-000 45MM UP FROM THE BOTTOM TO LINE UP WITH THE RECEIVER EYE.
- 9 POSITION TRANSMITTER IN THE MIDDLE OF THE TOP SHELF, TOWARD OUTER EDGE OF SHELF.
- 8 POSITION TRANSMITTER UNDERNEATH DVD/VCR 260MM FROM LEFT SIDE OF DVD/VCR.



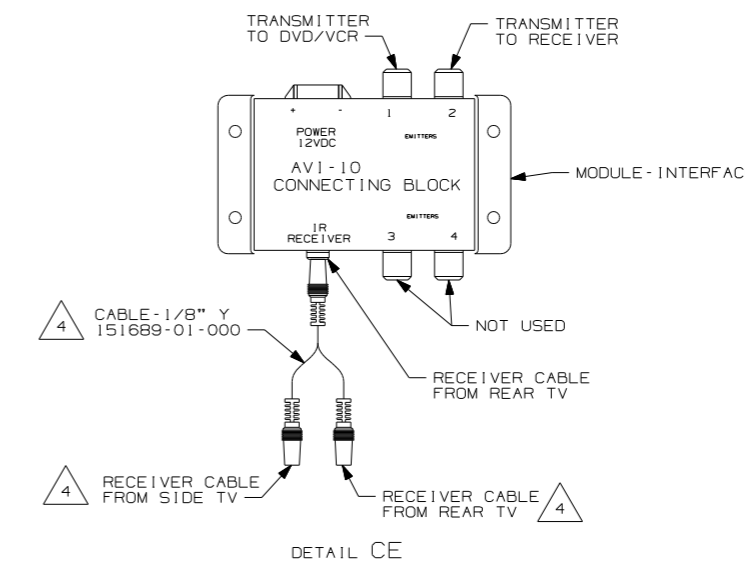
DETAIL BG (SHOWN FROM THE SIDE)

- 25H DVD/VCR-WITHOUT
- 1JF HOME THEATER SYS-WITHOUT
- 78K SATELLITE DISH-AUTOMATIC
- 10A TV (REAR)-20"COLOR, STEREO
- 1JM HOME THEATER SOUND SYSTEM
- 42J TV-24" COLOR, STEREO W/REMOTE
- 40B INVERTER-DC/AC, 300 WATT
- 35P VIDEO SELECTION SYSTEM
- 25G DVD/VCR, STEREO, W/REMOTE
- 265 CODES/STANDARDS-CSA/CMVSS
- 1B1 CODES/STANDARDS USA

FIRST USED		06 F-SERIES	
06 A-BODIES			
DO NOT SCALE DRAWING			
TITLE: WIRING INSTL-TV/DVD, FRONT			
SHEET 2	PART NO	152124	REV

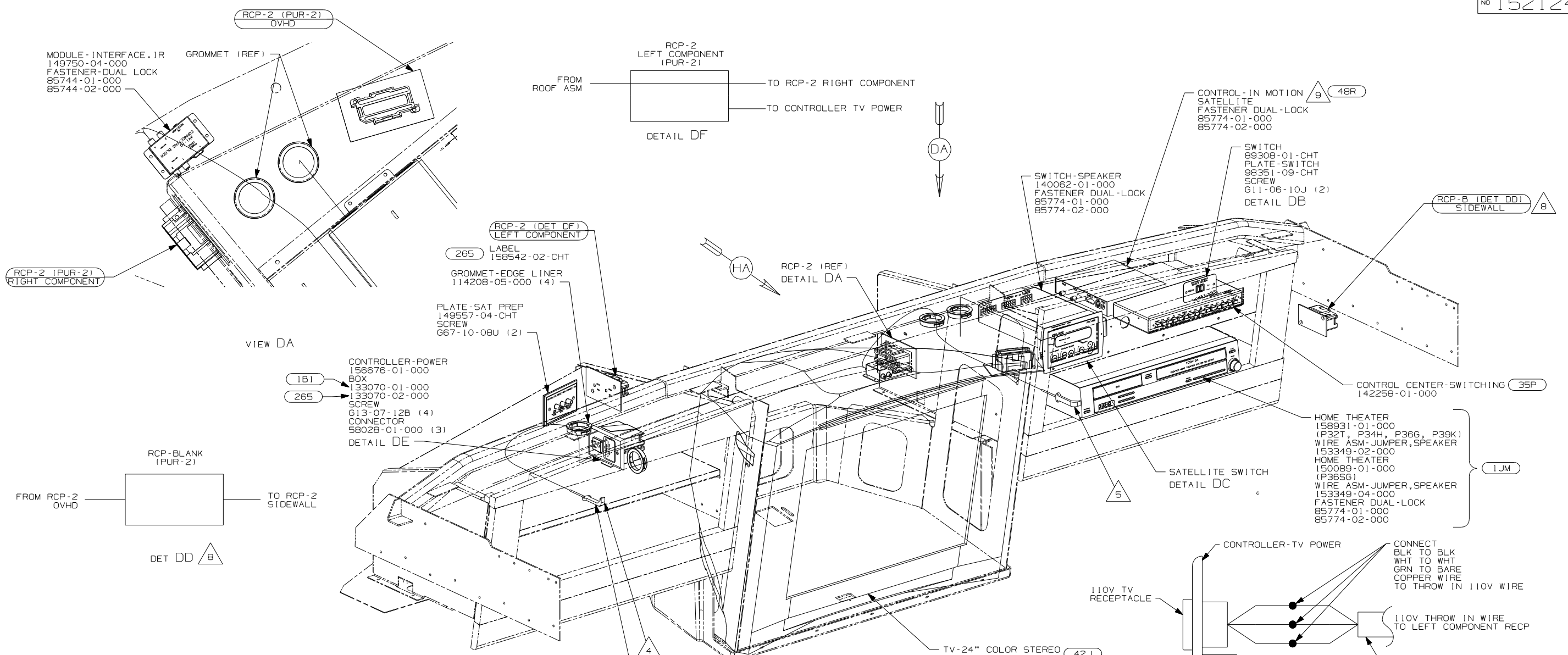


- 9 PARTS ARE SUPPLIED WITH SATELLITE KIT 154474-02-000.
- 8 POSITION TRANSMITTER IN THE MIDDLE OF THE TOP SHELF, TOWARD OUTER EDGE OF SHELF.
- 7 SWITCH SUPPLIED WITH SATELLITE DISH, SEE WIRING INSTL-BODY, 12V FOR ADDITIONAL INFORMATION.
- 6 POSITION TRANSMITTER ON THE FRONT LEFT SIDE OF THE DVD/VCR USING TIE-MOUNT 155366-01-000 AND TIE-WIRE 8343-01-000 45MM UP FROM THE BOTTOM TO LINE UP WITH THE RECEIVER EYE.
- 5 FOR USE WITH SHELLS ONLY.
- 4 G37B WITH (42E) & (42N) ONLY.
3. WHERE WIRES PASS THROUGH HOLES IN STEEL AND NOT OTHERWISE PROTECTED, USE GROMMET 92908-02-000.
2. ALL WIRES TO BE SECURED WITH CLAMP 10495-01-000 OR CLIP 80734-01-000 EVERY 600MM. USE SCREW 667-10-12B UNLESS OTHERWISE SPECIFIED.
1. 110V WIRE TO BE CLAMPED WITH CLAMP 10497-05-000 WITHIN 200MM OF OUTLET BOXES, USE SCREW 667-10-12B.



- (78K) SATELLITE DISH-AUTOMATIC
(42S) TV(FRONT) 27"/HUTCH CABINET
(48R) SAT SYS IN-MOTION W/O RCVR
(42N) TV(FRONT) 27" COLOR STEREO
(42E) TV-27" COLOR, STEREO W/REMOTE
(35P) VIDEO SELECTION SYSTEM
(1JM) HOME THEATER SOUND SYSTEM
(265) CODES/STANDARDS-CSA/CMVSS
(1B1) CODES/STANDARDS USA

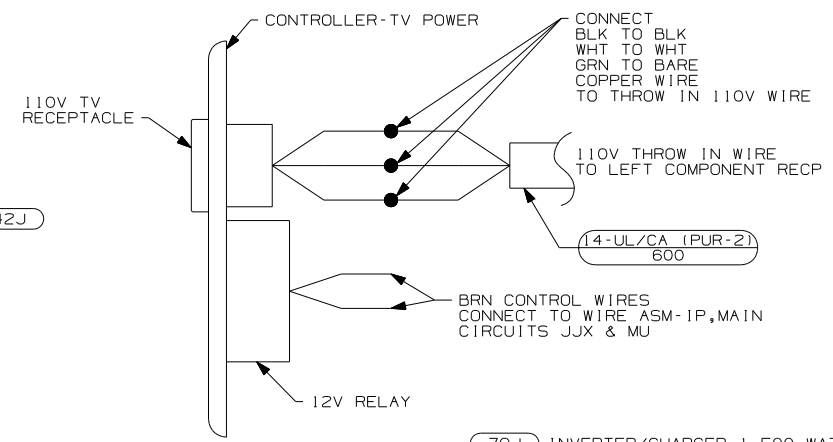
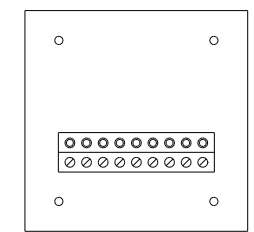
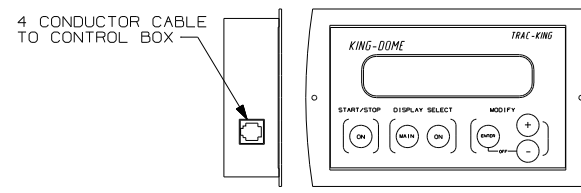
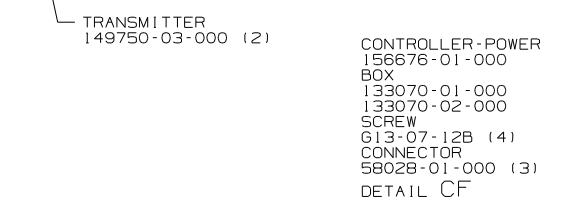
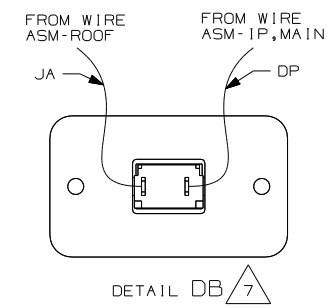
FIRST USED		06 G-SERIES	
06 A-BODIES			
DO NOT SCALE DRAWING			
TITLE: WIRING INSTL-TV/DVD, FRONT			
SHEET 3	PART NO	152124	REV



- 9 PARTS ARE SUPPLIED WITH SATELLITE KIT 154474-02-000.
- 8 USED ON P39K ONLY.
- 7 REMOVE VINYL FROM CUTOUT AT INSTALLATION.
- 6 SWITCH SUPPLIED WITH SATELLITE DISH, SEE WIRING INSTL-BODY, 12V FOR ADDITIONAL INFORMATION.
- 5 POSITION TRANSMITTER ON THE FRONT LEFT SIDE OF THE DVD/VCR USING TIE-MOUNT 155366-01-000 AND TIE-WIRE 8343-01-000 45MM UP FROM THE BOTTOM TO LINE UP WITH THE RECEIVER EYE.
- 4 POSITION TRANSMITTER IN THE MIDDLE OF THE TOP SHELF, TOWARD OUTER EDGE OF SHELF.

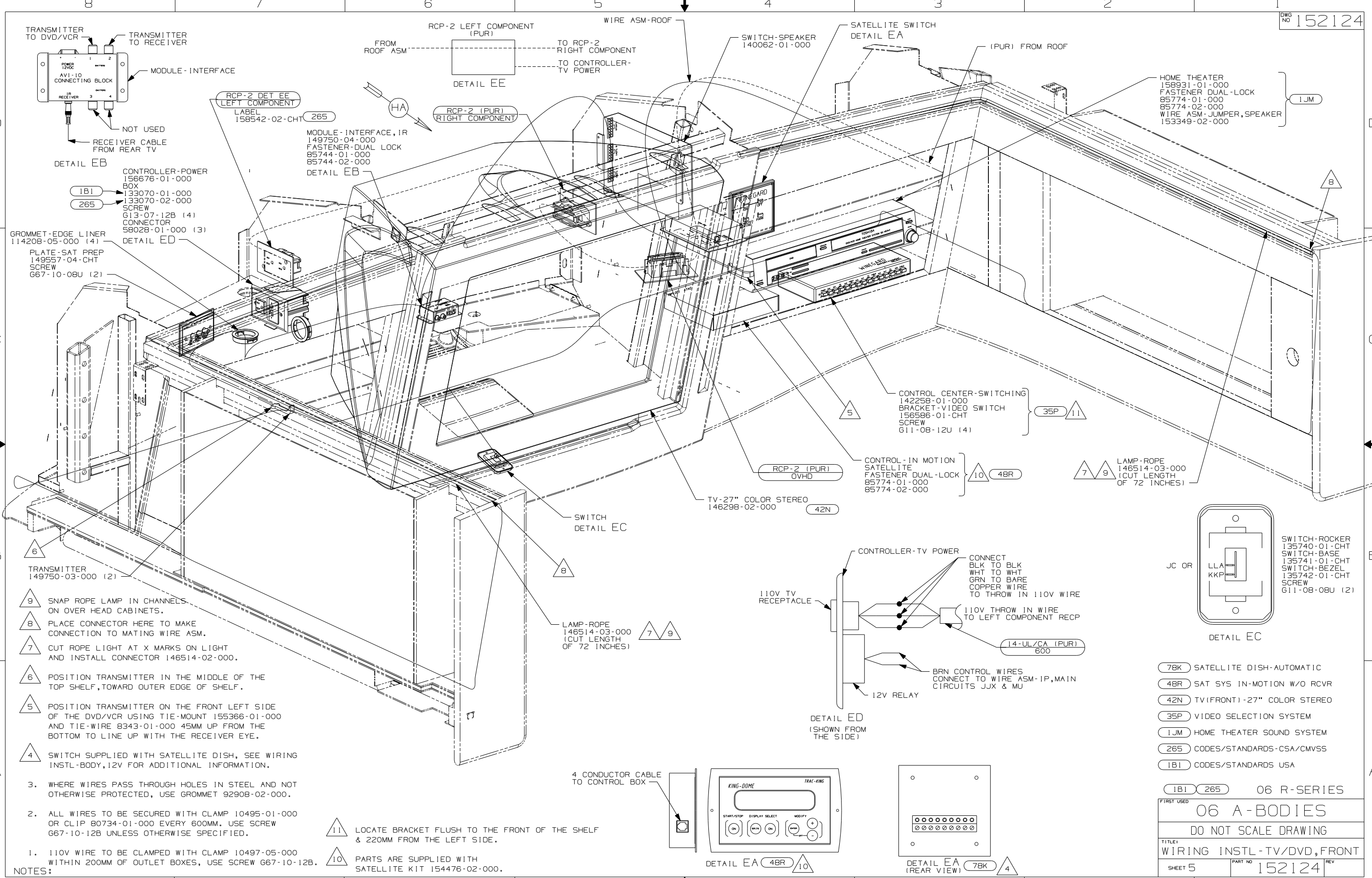
3. WHERE WIRES PASS THROUGH HOLES IN STEEL AND NOT OTHERWISE PROTECTED, USE GROMMET 92908-02-000.
2. ALL WIRES TO BE SECURED WITH CLAMP 10495 OR 10497 OR WIRE TIE 8343 OR 108046 EVERY 600MM, USE SCREW 667-10-12B UNLESS OTHERWISE SPECIFIED.
1. 110V WIRE TO BE CLAMPED WITH CLAMP 10497-05-000 WITHIN 200MM OF OUTLET BOXES, USE SCREW 667-10-12B.

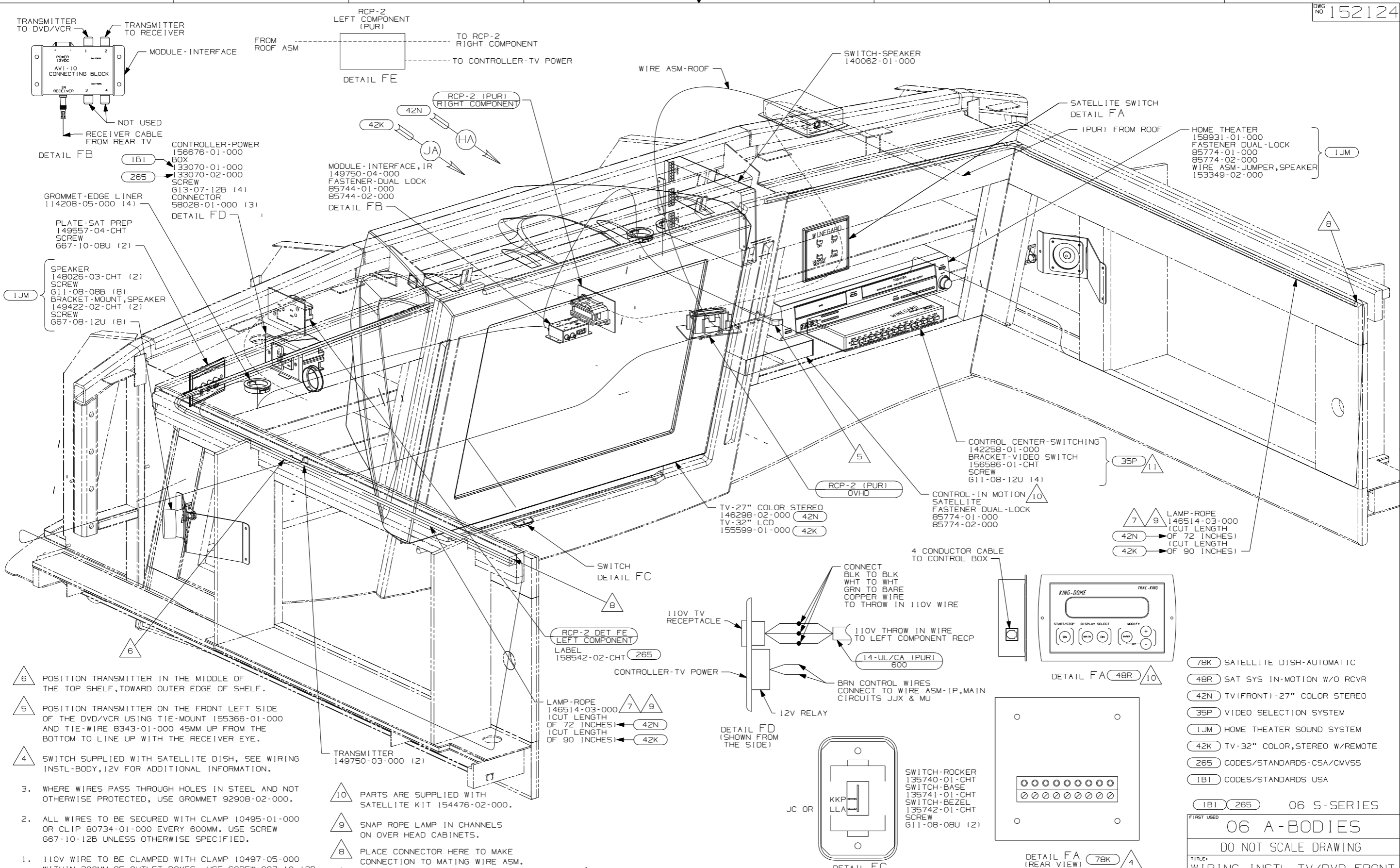
NOTES:



- (79J) INVERTER/CHARGER-1,500 WATT
- (78K) SATELLITE DISH-AUTOMATIC
- (48R) SAT SYS IN-MOTION W/O RCVR
- (42J) TV-24" COLOR, STEREO W/REMOTE
- (35P) VIDEO SELECTION SYSTEM
- (IJM) HOME THEATER SOUND SYSTEM

06 P-SERIES	
06 A-BODIES	
DO NOT SCALE DRAWING	
TITLE: WIRING INSTL-TV/DVD, FRONT	
SHEET 4	PART NO 152124 REV





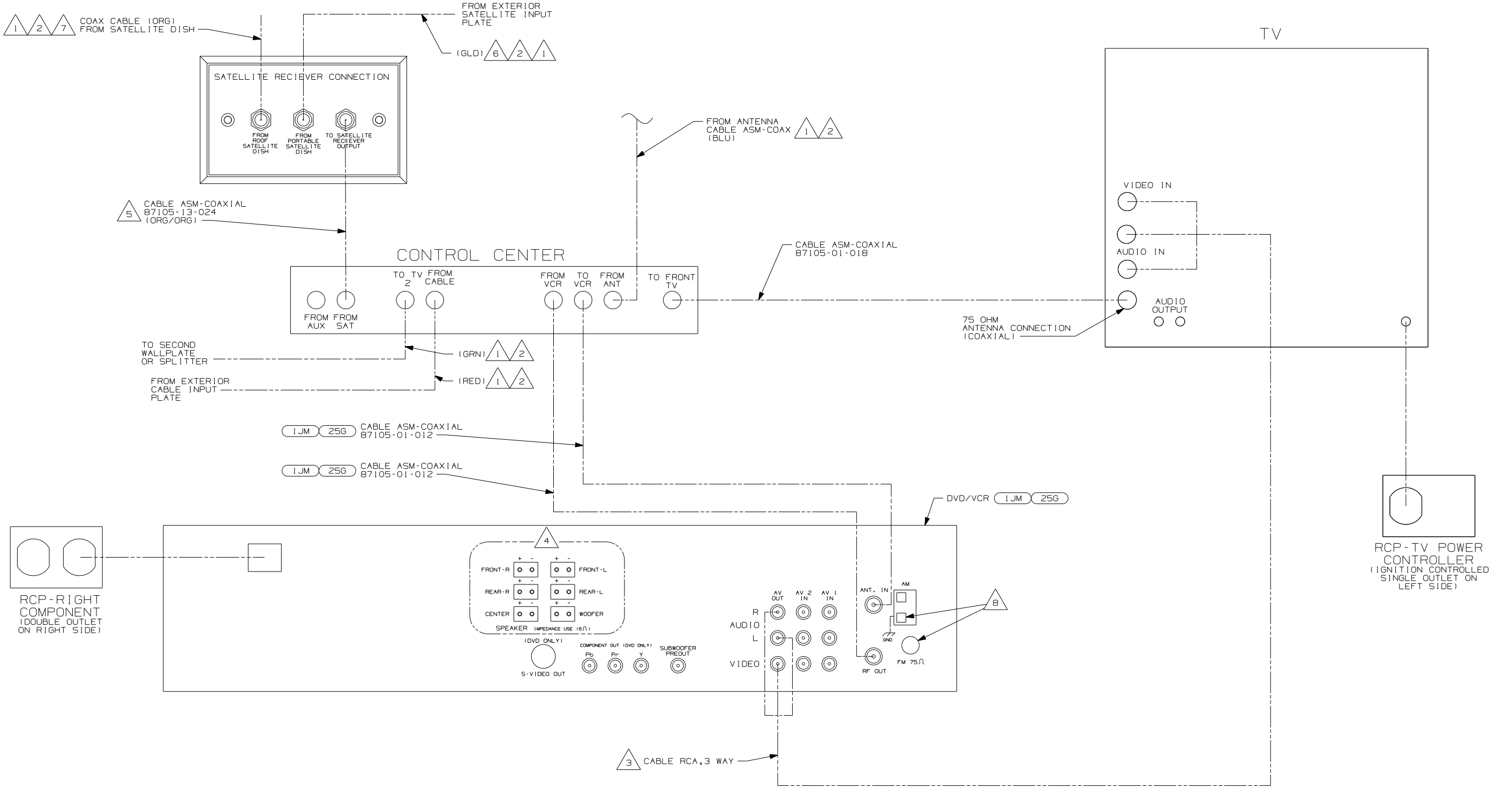
- NOTES:
- 110V WIRE TO BE CLAMPED WITH CLAMP 10497-05-000 WITHIN 200MM OF OUTLET BOXES, USE SCREW G67-10-12B.
 - ALL WIRES TO BE SECURED WITH CLAMP 10495-01-000 OR CLIP 80734-01-000 EVERY 600MM. USE SCREW G67-10-12B UNLESS OTHERWISE SPECIFIED.
 - WHERE WIRES PASS THROUGH HOLES IN STEEL AND NOT OTHERWISE PROTECTED, USE GROMMET 92908-02-000.
 - SWITCH SUPPLIED WITH SATELLITE DISH, SEE WIRING INSTL-BODY, 12V FOR ADDITIONAL INFORMATION.
 - POSITION TRANSMITTER ON THE FRONT LEFT SIDE OF THE DVD/VCR USING TIE-MOUNT 155366-01-000 AND TIE-WIRE 8343-01-000 45MM UP FROM THE BOTTOM TO LINE UP WITH THE RECEIVER EYE.
 - POSITION TRANSMITTER IN THE MIDDLE OF THE TOP SHELF, TOWARD OUTER EDGE OF SHELF.

- 10 PARTS ARE SUPPLIED WITH SATELLITE KIT 154476-02-000.
- 9 SNAP ROPE LAMP IN CHANNELS ON OVER HEAD CABINETS.
- 8 PLACE CONNECTOR HERE TO MAKE CONNECTION TO MATING WIRE ASM.
- 7 CUT ROPE LIGHT AT X MARKS ON LIGHT AND INSTALL CONNECTOR 146514-02-000.

- 11 LOCATE BRACKET FLUSH TO THE FRONT OF THE SHELF & 220MM FROM THE LEFT SIDE.

- 78K SATELLITE DISH-AUTOMATIC
- 48R SAT SYS IN-MOTION W/O RCVR
- 42N TV(FRONT)-27" COLOR STEREO
- 35P VIDEO SELECTION SYSTEM
- 1JM HOME THEATER SOUND SYSTEM
- 42K TV-32" COLOR, STEREO W/REMOTE
- 265 CODES/STANDARDS-CSA/CMVSS
- 1B1 CODES/STANDARDS USA

FIRST USED	
06 A-BODIES	
DO NOT SCALE DRAWING	
TITLE: WIRING INSTL-TV/DVD, FRONT	
SHEET 6	PART NO 152124 REV



- NOTES:
- 5 CONNECTED TO THE FRONT SIDE OF SATELLITE PREP PLATE, CONNECTION LABELED 'TO SATELLITE RECEIVER OUTPUT.'
 - 4 WITH FEATURE (1JM) CUT SUPPLIED SPEAKER WIRES TO A LENGTH OF 150MM AND CONNECT TO MATCHING CIRCUITS ON WIRE ASM SIDE TV.
 - 3 CABLE IS SUPPLIED WITH RECEIVER.
 - 2 CABLE ROUTED IN ROOF.
 - 1 CABLE ASM MARKED WITH COLORED TAPE.

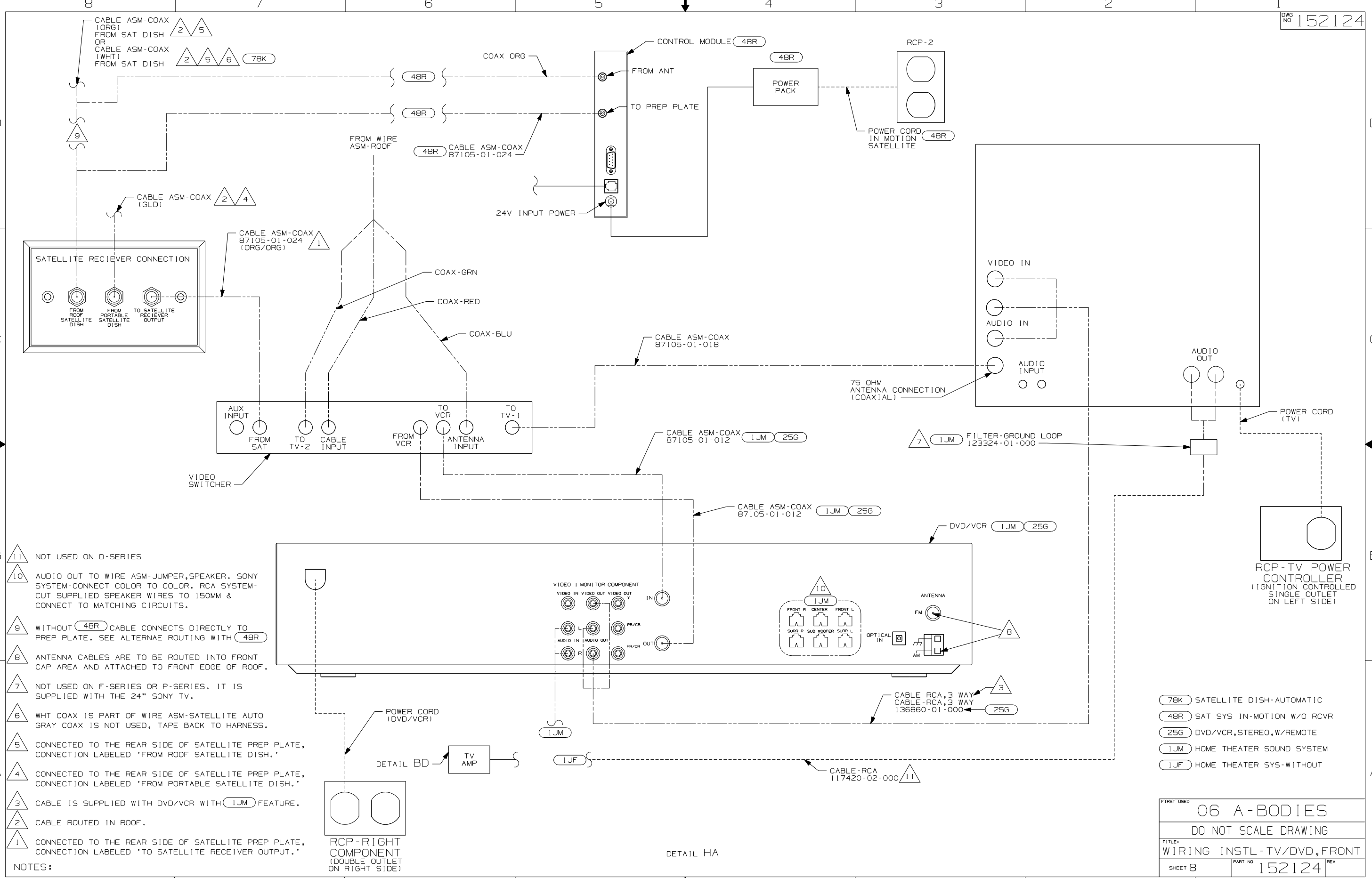
- 8 ANTENNA CABLES ARE TO BE ROUTED INTO FRONT CAP AREA AND ATTACHED TO FRONT EDGE OF ROOF.
- 7 CONNECTED TO THE REAR SIDE OF SATELLITE PREP PLATE, CONNECTION LABELED 'FROM ROOF SATELLITE DISH.'
- 6 CONNECTED TO THE REAR SIDE OF SATELLITE PREP PLATE, CONNECTION LABELED 'FROM PORTABLE SATELLITE DISH.'

DETAIL GA

- (43N) TV (RR1)-19", VIDEO SELECTION
- (25G) DVD/VCR, STEREO, W/REMOTE
- (1JM) HOME THEATER SOUND SYSTEM

FIRST USED	
06 A-BODIES	
DO NOT SCALE DRAWING	
TITLE:	
WIRING INSTL-TV/DVD, FRONT	
SHEET 7	PART NO 152124 REV

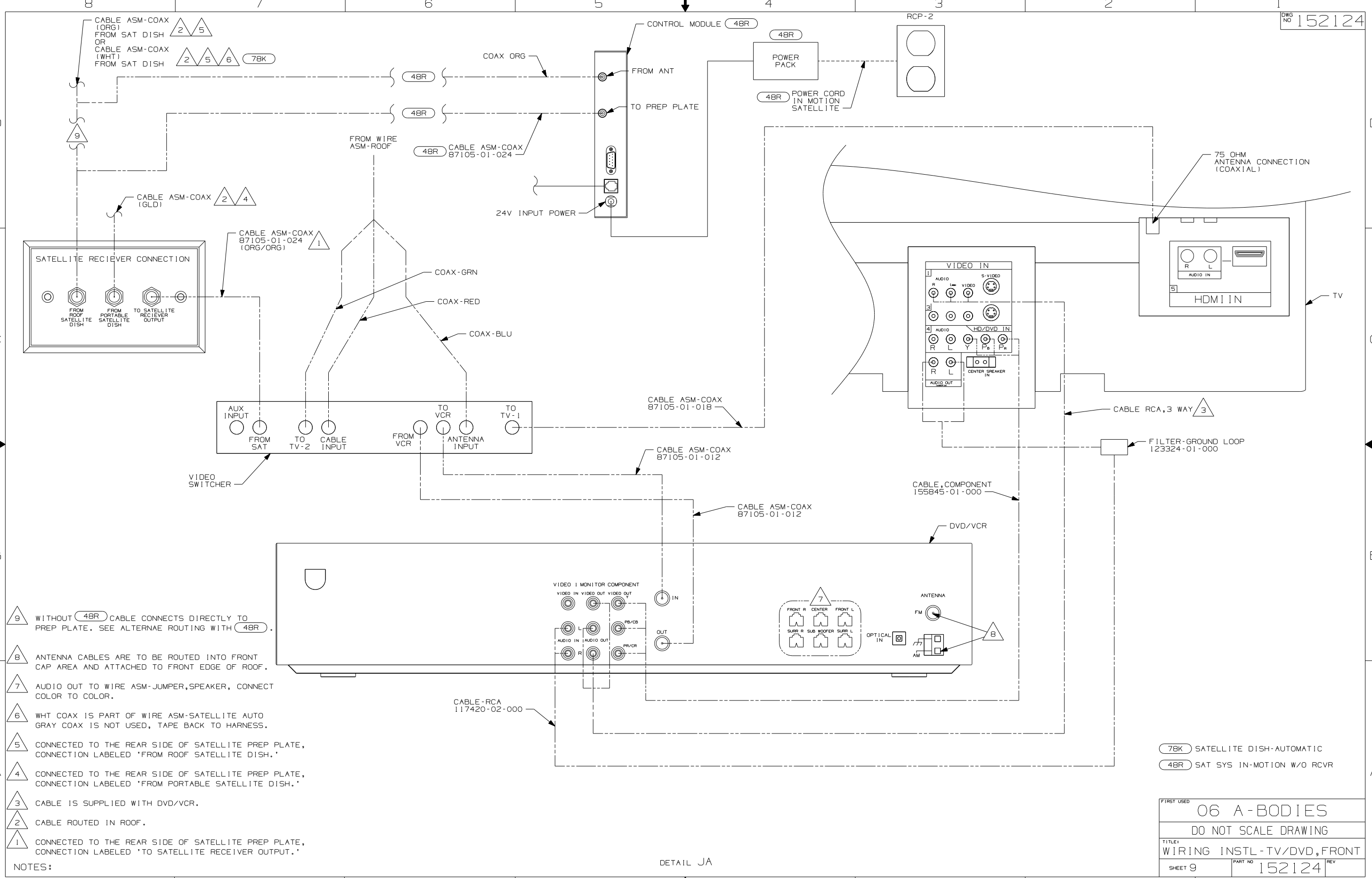
D-SERIES



- NOTES:
- 11 NOT USED ON D-SERIES
 - 10 AUDIO OUT TO WIRE ASM-JUMPER, SPEAKER. SONY SYSTEM-CONNECT COLOR TO COLOR. RCA SYSTEM-CUT SUPPLIED SPEAKER WIRES TO 150MM & CONNECT TO MATCHING CIRCUITS.
 - 9 WITHOUT 48R CABLE CONNECTS DIRECTLY TO PREP PLATE. SEE ALTERNATE ROUTING WITH 48R
 - 8 ANTENNA CABLES ARE TO BE ROUTED INTO FRONT CAP AREA AND ATTACHED TO FRONT EDGE OF ROOF.
 - 7 NOT USED ON F-SERIES OR P-SERIES. IT IS SUPPLIED WITH THE 24" SONY TV.
 - 6 WHT COAX IS PART OF WIRE ASM-SATELLITE AUTO GRAY COAX IS NOT USED, TAPE BACK TO HARNESS.
 - 5 CONNECTED TO THE REAR SIDE OF SATELLITE PREP PLATE, CONNECTION LABELED 'FROM ROOF SATELLITE DISH.'
 - 4 CONNECTED TO THE REAR SIDE OF SATELLITE PREP PLATE, CONNECTION LABELED 'FROM PORTABLE SATELLITE DISH.'
 - 3 CABLE IS SUPPLIED WITH DVD/VCR WITH 1JM FEATURE.
 - 2 CABLE ROUTED IN ROOF.
 - 1 CONNECTED TO THE REAR SIDE OF SATELLITE PREP PLATE, CONNECTION LABELED 'TO SATELLITE RECEIVER OUTPUT.'

- 78K SATELLITE DISH-AUTOMATIC
- 48R SAT SYS IN-MOTION W/O RCVR
- 25G DVD/VCR, STEREO, W/REMOTE
- 1JM HOME THEATER SOUND SYSTEM
- 1JF HOME THEATER SYS-WITHOUT

FIRST USED	06 A-BODIES	
TITLE	DO NOT SCALE DRAWING	
SHEET 8	PART NO	152124
	REV	



- 9 WITHOUT 48R CABLE CONNECTS DIRECTLY TO PREP PLATE. SEE ALTERNAE ROUTING WITH 48R .
- 8 ANTENNA CABLES ARE TO BE ROUTED INTO FRONT CAP AREA AND ATTACHED TO FRONT EDGE OF ROOF.
- 7 AUDIO OUT TO WIRE ASM-JUMPER,SPEAKER, CONNECT COLOR TO COLOR.
- 6 WHT COAX IS PART OF WIRE ASM-SATELLITE AUTO GRAY COAX IS NOT USED, TAPE BACK TO HARNESS.
- 5 CONNECTED TO THE REAR SIDE OF SATELLITE PREP PLATE, CONNECTION LABELED 'FROM ROOF SATELLITE DISH.'
- 4 CONNECTED TO THE REAR SIDE OF SATELLITE PREP PLATE, CONNECTION LABELED 'FROM PORTABLE SATELLITE DISH.'
- 3 CABLE IS SUPPLIED WITH DVD/VCR.
- 2 CABLE ROUTED IN ROOF.
- 1 CONNECTED TO THE REAR SIDE OF SATELLITE PREP PLATE, CONNECTION LABELED 'TO SATELLITE RECEIVER OUTPUT.'

78K SATELLITE DISH-AUTOMATIC
 48R SAT SYS IN-MOTION W/O RCVR

FIRST USED	06 A-BODIES		
TITLE:	DO NOT SCALE DRAWING		
	WIRING INSTL-TV/DVD,FRONT		
SHEET 9	PART NO	152124	REV

DETAIL JA

TERMINALS

SPLICES

NO.	PART NUMBER	DESCRIPTION
B-1	50003-01	TERMINAL-PIN, 16-14 GA, .156 DIA
B-2	50004-01	TERMINAL-RECP, 16-14 GA, .156 DIA
B-11	50003-02	TERMINAL-PIN, 16-14 GA, .180 DIA
B-12	50004-02	TERMINAL-RECP, 16-14 GA, .180 DIA
WP-1	106950-01	TERMINAL-PIN, 16-14 GA
WP-2	106950-02	TERMINAL-PIN, 10-12 GA
WP-3	106950-03	TERMINAL-PIN, 8 GA
R-1	35416-01	TERMINAL-RING, #10 STD, 8 GA
R-2	35416-02	TERMINAL-RING, #10 STD, 6 GA
R-3	35416-03	TERMINAL-RING, #10 STD, 10-12 GA
R-4	35416-04	TERMINAL-RING, #10 STD, 14-16 GA
R-5	37018-01	TERMINAL-RING, 5/16 STD, 12-10 GA
R-6	102777-01	TERMINAL-RING, #6 STD, 14-16 GA
R-7	102777-02	TERMINAL-RING, #6 STD, 10-12 GA
R-8	102777-03	TERMINAL-RING, #6 STD, 8 GA
R-9	33787-01	TERMINAL-RING, #10 STD, 14 GA
R-60	8325-01	TERMINAL-RING, 1/4 STD, 14-16 GA
R-61	8326-01	TERMINAL-RING, 3/8 STD, 14-16 GA
R-62	8327-01	TERMINAL-RING, #10 STD, 14-16 GA
R-63	8328-01	TERMINAL-RING, #10 STD, 10-12 GA
R-64	8328-02	TERMINAL-RING, 3/8 STD, 10-12 GA
R-65	8329-01	TERMINAL-RING, 3/8 STD, 8 GA
R-66	8331-01	TERMINAL-RING, 3/8 STD, 4 GA
R-67	8332-01	TERMINAL-RING, 1/4 STD, 6 GA
R-68	8332-02	TERMINAL-RING, 1/4 STD, 10 GA
R-69	8350-01	TERMINAL-RING, 3/8 STD, 6 GA
R-70	99275-02	TERMINAL-RING, 7/16 STD, 8 GA
R-71	101397-01	TERMINAL-RING, #10 STD, 14-16 GA
R-91	88791-01	TERMINAL-RING, 3/8, 90°, 1/0 GA
R-92	88791-02	TERMINAL-RING, 3/8, 90°, 2 GA
R-93	8348-01	TERMINAL-RING, 3/8 STD, 2 GA
R-94	99275-01	TERMINAL-RING, 7/16 STD, 1/0 GA
RF-51	7944-01	TERMINAL-SPADE, 12-10 GA, #8 STUD
RF-52	7945-01	TERMINAL-SPADE, 18-14 GA, #8 STUD
TR-1	47443-01	TERMINAL-RECP, 16-14 GA, .25, INS
TR-2	47443-02	TERMINAL-RECP, 12-10 GA, .25, INS
TR-3	47443-05	TERMINAL-RECP, 22-18 GA, .25, INS
TR-11	47443-03	TERMINAL-RECP, 16-14 GA, .19, INS
TR-12	47443-04	TERMINAL-RECP, 16-14 GA, .11, INS
TR-21	80015-01	TERMINAL-RECP, 22-18 GA, .250, 90 DEG FOR USE WITH TAB THICKNESS .032
TR-22	80015-02	TERMINAL-RECP, 16-14 GA, .187, 90 DEG FOR USE WITH TAB THICKNESS .032
TR-23	80015-03	TERMINAL-RECP, 16-14 GA, .250, 90 DEG FOR USE WITH TAB THICKNESS .032
TR-24	80015-04	TERMINAL-RECP, 16-14 GA, .187, 90 DEG FOR USE WITH TAB THICKNESS .020
TR-51	7940-01	TERMINAL-RECP, 16-12 GA, .25, UNINS
TR-52	23809-01	TERMINAL-RECP, 16-14 GA, .19, UNINS
TR-53	23809-02	TERMINAL-RECP, 18-20 GA, .25, UNINS
TR-54	49270-01	TERMINAL-RECP, 18-20 GA, .19, UNINS
TR-55	7940-02	TERMINAL-RECP, 10 GA, .25, UNINS
TT-1	85745-02	TERMINAL-TAB, 16-14 GA, .25, INS
TT-2	85745-03	TERMINAL-TAB, 10-12 GA, .25, INS
TT-11	85745-04	TERMINAL-TAB, 18-22 GA, .19, INS
TT-51	7942-01	TERMINAL-TAB, 16-14 GA, .25, UNINS
TT-52	7943-01	TERMINAL-TAB, 14-10 GA, .25, UNINS
MF6-1	129236-01	TERMINAL-FEM, M/P, 630, 10-12
MF6-2	129236-02	TERMINAL-FEM, M/P, 630, 14-16

NO.	PART NUMBER	DESCRIPTION
BS-1	31876-01	SPLICE-BUTT, 16-14 GA, BLUE
BS-2	31876-02	SPLICE-BUTT, 12-10 GA, YELLOW
BS-3	31876-03	SPLICE-BUTT, 22-18 GA, RED
BS-SB	100070-01	SPLICE-BUTT, 14-16 GA, SHRINK, BLUE
BS-RB	112823-01	SPLICE-BUTT, 14-22 GA, REDUCER
S-1	7946-01	SPLICE, 1-6 MM ²
S-2	23808-01	SPLICE, 6-9 MM ²
1-2	7956-02	SHRINK WRAP .375 DIA
1-5	7956-05	SHRINK WRAP .25 DIA
SH-1	58028-01	SPLICE-HAT
S-10	101173-01	SPLICE-BARREL, 26300 CMA

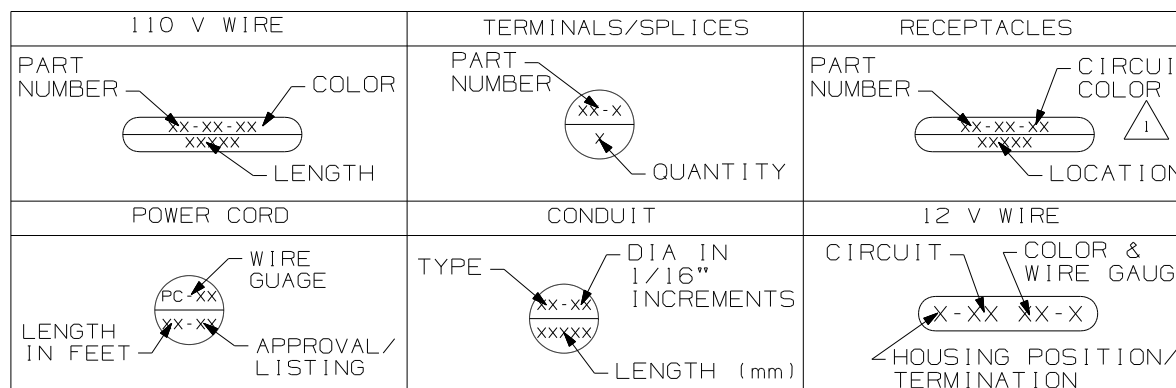
NO.	PART NUMBER	DESCRIPTION
SP-1	90986-02	PLUG ASM-ELECTRIC STEP
SP-2	142524-01-000 098261-01-000 098262-07-000 098261-02-000 (3) 098262-01-000 (3)	HOUSING-4 PIN SOCKET-CONNECTOR SEAL-CONNECTOR SOCKET-CONNECTOR SEAL-CONNECTOR
HR-1	63910-01	HOUSING-RELAY
MP-8	125323-02	HOUSING-PIN, 8 CAVITY
MP-10	125323-01	HOUSING-PIN, 10 CAVITY
MPP	125324-01	TERMINAL-MALE, M/P, 150
CAV-1	125325-01	SEAL-CAVITY, 150-SERIES M/P
CON-3	98262-03	SEAL-CONNECTOR
LS-8	125323-03	LOCK-SECONDARY 8 POSITION
LS-10	125323-04	LOCK-SECONDARY 10 POSITION
H-8	108355-01	HOUSING-SWITCH, 8 POSITION
H-12	108355-02	HOUSING-SWITCH, 12 POSITION

NO.	PART NUMBER	DESCRIPTION
GEN-1	125323-02-000 125324-01-000 (4) 098262-03-000 (4) 125325-01-000 (4) 125323-03-000	HOUSING-8 POSN, MALE, 150 SERIES TERMINAL-MALE, M/P, 150 SEAL-CONNECTOR SEAL-CAVITY, 150 SERIES M/P LOCK-SECONDARY 8 POSITION
GEN-2	125323-01-000 125324-01-000 (5) 098262-03-000 (5) 125325-01-000 (5) 125323-04-000	HOUSING-10 POSN, MALE, 150 SERIES TERMINAL-MALE, M/P, 150 SEAL-CONNECTOR SEAL-CAVITY, 150 SERIES M/P LOCK-SECONDARY 10 POSITION

HOUSINGS AND TERMINALS

NO.	PART NUMBER	DESCRIPTION
HS-2	88474-10	HOUSING-SOCKET, 2 CAVITY
HS-3	88474-09	HOUSING-SOCKET, 3 CAVITY
HS-4	88474-08	HOUSING-SOCKET, 4 CAVITY
HS-5	88474-07	HOUSING-SOCKET, 5 CAVITY
HS-6	88474-06	HOUSING-SOCKET, 6 CAVITY
HS-7	88474-05	HOUSING-SOCKET, 6 CAVITY-IN LINE
HS-9	88474-03	HOUSING-SOCKET, 9 CAVITY
HS-12	88474-01	HOUSING-SOCKET, 12 CAVITY
HS-15	88474-02	HOUSING-SOCKET, 15 CAVITY
HS-2-R	88474-12	HOUSING-SOCKET, 2 CAVITY-RED
HP-2	88473-10	HOUSING-PIN, 2 CAVITY
HP-3	88473-09	HOUSING-PIN, 3 CAVITY
HP-4	88473-08	HOUSING-PIN, 4 CAVITY
HP-5	88473-07	HOUSING-PIN, 5 CAVITY
HP-6	88473-06	HOUSING-PIN, 6 CAVITY
HP-7	88473-05	HOUSING-PIN, 6 CAVITY-IN LINE
HP-8	88473-04	HOUSING-PIN, 8 CAVITY-IN LINE
HP-9	88473-03	HOUSING-PIN, 9 CAVITY
HP-12	88473-01	HOUSING-PIN, 12 CAVITY
HP-15	88473-02	HOUSING-PIN, 15 CAVITY
HP-2-R	88473-15	HOUSING-PIN, 2 CAVITY-RED
HP-3-B	88473-12	HOUSING-PIN, 3 CAVITY-BLUE
HP-3-G	88473-13	HOUSING-PIN, 3 CAVITY-GREEN
HP-3-R	88473-14	HOUSING-PIN, 3 CAVITY-RED
TS-1	88476-01	SOCKET-CONNECTOR, 20-14 GA
TS-2	88476-02	SOCKET-CONNECTOR, 12-10 GA
TP-1	88475-01	PIN-CONNECTOR, 20-14 GA
TP-2	88475-02	PIN-CONNECTOR, 12-10 GA
HS2HA	137208-01	HOUSING-SOCKET, 2 CAVITY-HIGH AMP
HP2HA	137207-01	HOUSING-PIN, 2 CAVITY-HIGH AMP
TS-HA	137210-01	SOCKET-CONNECTOR, 10AWG HIGH AMP
TP-HA	137209-01	PIN-CONNECTOR, 10AWG HIGH AMP
H-HA	104100-01	HOUSING, 1 CAVITY 75 AMP
T-HA	104100-03	TERMINAL 10 AWG - 6 AWG 75 AMP

BALLOON CALLOUT LEGEND



WINNEBAGO COPYRIGHT 2006 WINNEBAGO INDUSTRIES, INC.

UNSPECIFIED TOLERANCES ARE: MATERIAL:

WHOLE DIM (X) :
 ONE-PLACE (X.X) :
 TWO-PLACE (X.XX) :
 ANGLE :

THIRD ANGLE PROJECTION

DO NOT SCALE DRAWING

TITLE: PART LISTING-ELECTRICAL

SHEET 1 OF 7 PART NO 121339 REV

1 FOR RECP-BLANK, DET-X DENOTES DETAIL VIEW. 2 CONTACT WIRE PREP PRIOR TO USING FOR TOOLING PURPOSES.

WIRE-SINGLE INS CONDUCTOR, STRANDED

NO.	PART NUMBER	DESCRIPTION
18-W 18-Y	156658-01 156658-02	WIRE, 18 GA. WHITE, PVC WIRE, 18 GA. YELLOW, PVC
16-Y 16-W	89360-01 89360-02	WIRE, 16 GA. YELLOW, PVC WIRE, 16 GA. WHITE, PVC
14-Y 14-W	48554-02 48554-04	WIRE, 14 GA. YELLOW, PVC WIRE, 14 GA. WHITE, PVC
12-Y 12-W	48555-02 48555-04	WIRE, 12 GA. YELLOW, PVC WIRE, 12 GA. WHITE, PVC
10-Y 10-W	8000-03 8000-05	WIRE, 10 GA. YELLOW, PVC WIRE, 10 GA. WHITE, PVC
8-B 8-G	8005-01 8005-03	WIRE, 8 GA. BLACK, PVC WIRE, 8 GA. GREEN, PVC
6-B 6-G	70065-01 70065-03	WIRE, 6 GA. BLACK, PVC WIRE, 6 GA. GREEN, PVC
18-WX 18-YX	121015-01 121015-02	WIRE, 18 GA. WHITE, XLPE WIRE, 18 GA. YELLOW, XLPE
16-YX 16-WX	116675-01 116675-02	WIRE, 16 GA. YELLOW, XLPE WIRE, 16 GA. WHITE, XLPE
14-YX 14-WX	98586-01 98586-02	WIRE, 14 GA. YELLOW, XLPE WIRE, 14 GA. WHITE, XLPE
12-YX 12-WX	98609-01 98609-02	WIRE, 12 GA. YELLOW, XLPE WIRE, 12 GA. WHITE, XLPE
10-YX 10-WX	116676-03 116676-04	WIRE, 10 GA. YELLOW, XLPE WIRE, 10 GA. WHITE, XLPE
8-BX 8-GX	116674-01 116674-02	WIRE, 8 GA. BLACK, XLPE WIRE, 8 GA. GREEN, XLPE
6-BX 6-GX	116687-01 116687-02	WIRE, 6 GA. BLACK, XLPE WIRE, 6 GA. GREEN, XLPE

RECEPTACLES

NO.	PART NUMBER	DESCRIPTION
RCP-1	86738-02-CHT	RECEPTACLE-SINGLE, FLUSH MOUNT
RCP-2	86738-01-CHT	RECEPTACLE-DOUBLE, FLUSH MOUNT
RCP-3	58707-01-000	RECEPTACLE-SINGLE, SURFACE MOUNT
RCP-4	157360-01-000	RECEPTACLE-SINGLE, SURFACE MOUNT, 20A
RCP-5	160984-01-CHT	RECEPTACLE-SINGLE, FLUSH MOUNT, 20A
RCP-B	58707-02-000	RECEPTACLE-BLANK, JUNCTION
RCP-E	131826-01-CHT	INCLUDES COVER & GASKET

WIRE-NM SHEATHED CABLE

NO.	PART NUMBER	DESCRIPTION
14 UL	8027-01-000	WIRE 14-2 ROMEX W/GROUND (UL)
14 CA	8023-02-000	WIRE 14-2 ROMEX W/GROUND (CAN)
12 UL	8026-01-000	WIRE 12-2 ROMEX W/GROUND (UL)
12 CA	8023-01-000	WIRE 12-2 ROMEX W/GROUND (CAN)
12-3 UL	8026-03-000	WIRE 12-3 ROMEX W/GROUND (UL)
12-3 CA	8023-03-000	WIRE 12-3 ROMEX W/GROUND (CAN)
10 UL	8022-01-000	WIRE 10-2 ROMEX W/GROUND (UL)
10 CA	24743-01-000	WIRE 10-2 ROMEX W/GROUND (CAN)
6-3 UL	108914-01-000	WIRE 6-3 ROMEX W/GROUND (UL)
6-3 CA	113136-01-000	WIRE 6-3 ROMEX W/GROUND (CAN)
6-2 UL	108914-02-000	WIRE 6-2 ROMEX W/GROUND (UL)
4-3 UL	128375-01-000	WIRE 4-3 ROMEX W/GROUND (UL)
4-3 CA	128375-01-000	WIRE 4-3 ROMEX W/GROUND (CAN)

POWER CORDS

NO.	PART NUMBER	DESCRIPTION
PC-10 28	8054-01-000	POWER CORD 10 GA, 30 AMP, 28 FT. (UL/CA)
PC-10 35	8054-02-000	POWER CORD 10 GA, 30 AMP, 35 FT. (UL/CA)
PC-10 30-CA	8052-01-000	SUPERCEDED BY 8054-01-000
PC-6 36	108934-01-000	POWER CORD 6 GA, 50 AMP, 36 FT. (UL/CA)
PC-6 36-FX	108934-02-000	POWER CORD 6 GA, 50 AMP, 36 FT. (UL/CSA) SUPERFLEX
PC-6 36-CA	113096-01-000	SUPERCEDED BY 108934-02-000

CIRCUIT COLOR LEGEND

110V CIRCUIT	WIRE COLOR	COAXIAL CIRCUIT
A/C CIRCUIT 1	RED	CABLE INPUT W/O SPLITTER
A/C CIRCUIT 2	GRN	REAR TV W/O SPLITTER
GENERAL RECPS 1	BLU	ANTENNA
GENERAL RECPS 2	BRN	FRONT TV
GENERAL RECPS 3	PUR	VCR INPUT
GENERAL RECPS 4	GRY	
REFRIGERATOR/ CONVERTER	YEL	EXT ENT CTR
MICROWAVE	BLK	AUX INPUT
WATER HEATER	WHT	
WASHER/DRYER	GLD	
DISHWASHER	SIL	
	ORG	SATELLITE PLATE INPUT
	ORG/ORG	SATELLITE PLATE OUTPUT
	RED/RED	CABLE INPUT W/SPLITTER
	GRN/GRN	REAR TV W/SPLITTER
	PUR/PUR	VCR OUTPUT

CONDUIT


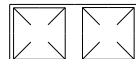
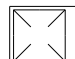
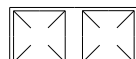
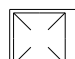

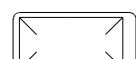
NO.	PART NUMBER	DESCRIPTION	TEMP.
C-4	41953-07-000	CONDUIT-CONVOLUTE, SLIT .25" ID	194° F
C-6	41953-06-000	CONDUIT-CONVOLUTE, SLIT .38" ID	194° F
C-8	41953-01-000	CONDUIT-CONVOLUTE, SLIT .50" ID	194° F
C-10	41953-02-000	CONDUIT-CONVOLUTE, SLIT .63" ID	194° F
C-16	41953-03-000	CONDUIT-CONVOLUTE, SLIT 1.0" ID	194° F
C-24	41953-08-000	CONDUIT-CONVOLUTE, SLIT 1.5" ID	194° F
C-32	41953-15-000	CONDUIT-CONVOLUTE, SLIT 2.0" ID	194° F
CX-8	41953-09-000	CONDUIT-CONVOLUTE, SLIT .50" ID	239° F
CX-12	41953-10-000	CONDUIT-CONVOLUTE, SLIT .75" ID	239° F
CX-16	41953-11-000	CONDUIT-CONVOLUTE, SLIT 1.0" ID	239° F
CX-20	41953-13-000	CONDUIT-CONVOLUTE, SLIT 1.25" ID	239° F
CX-24	41953-14-000	CONDUIT-CONVOLUTE, SLIT 1.50" ID	239° F
CX-32	41953-16-000	CONDUIT-CONVOLUTE, SLIT 2.0" ID	239° F
CN-10	41953-05-000	CONDUIT-CONVOLUTE, NOT SLIT .63" ID	194° F
CN-16	41953-12-000	CONDUIT-CONVOLUTE, NOT SLIT 1.0" ID	194° F

BATTERY CABLE LEGEND



COLOR	DESCRIPTION
PURPLE	CHASSIS BATTERY TO SOLENOID
BLUE	HYDRAULIC JACKS PUMP
RED	BATTERY TO STARTER
GREEN	BATTERY TO GENERATOR
YELLOW	COACH BATTERY TO SOLENOID

FIRST USED	96 MH'S
TITLE	DO NOT SCALE DRAWING
	PART LISTING-ELECTRICAL
SHEET 2	PART NO 121339 REV


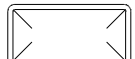

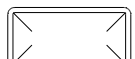

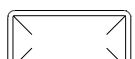
LAMP ASM-PACKAGE, PANCAKE

NO	PART NUMBER	DESCRIPTION
LF1-1	LAMP 98024-01-CHT SCREW G11-08-16U (4) CONNECTOR 58028-01-000 (2)	LAMP ASM, FROSTED LENS, 1 BULB W/SWITCH PROGRESSIVE DYNAMICS INC. 
LF2-1	LAMP 98024-03-CHT SCREW G11-08-16U (6) CONNECTOR 58028-01-000 (2)	LAMP ASM, FROSTED LENS, 2 BULB W/SWITCH PROGRESSIVE DYNAMICS INC. 
LO1-1	LAMP 98024-05-CHT SCREW G11-08-16U (4) CONNECTOR 58028-01-000 (2)	LAMP ASM, OPTI CLEAR LENS, 1 BULB W/SWITCH PROGRESSIVE DYNAMICS INC. 
LO2-1	LAMP 98024-06-CHT SCREW G11-08-16U (6) CONNECTOR 58028-01-000 (2)	LAMP ASM, OPTI CLEAR LENS, 2 BULB W/SWITCH PROGRESSIVE DYNAMICS INC. 
LF1N1	LAMP 98024-07-CHT SCREW G11-08-16U (4) CONNECTOR 58028-01-000 (2)	LAMP ASM, FROSTED LENS, 1 BULB W/O SWITCH PROGRESSIVE DYNAMICS INC. 
LF2N1	LAMP 98024-08-CHT SCREW G11-08-16U (6) CONNECTOR 58028-01-000 (2)	LAMP ASM, FROSTED LENS, 2 BULB W/O SWITCH PROGRESSIVE DYNAMICS INC. 
LFSN1	LAMP 98024-09-CHT SCREW G11-08-16U (6) CONNECTOR 58028-01-000 (2)	LAMP ASM, SINGLE FROSTED LENS, 2 BULB W/O SWITCH PROGRESSIVE DYNAMICS INC. 

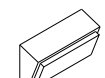


LAMP ASM-PACKAGE, HALOGEN

NO	PART NUMBER	DESCRIPTION
HAL	LAMP 123775-01-CHT SCREW (SUPPLIED) CONNECTOR 58028-01-000 (2)	LAMP ASM-HALOGEN, READING 1 BULB 
HAL-S	LAMP 123775-01-CHT SPACER 123775-02-CHT SCREW G13-06-16U (3) CONNECTOR 58028-01-000 (2)	LAMP ASM-HALOGEN, READING WITH 3/4" SPACER 1 BULB 

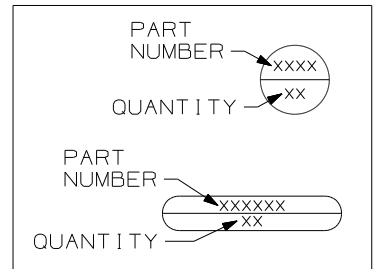
LAMP ASM-PACKAGE, PANCAKE

NO	PART NUMBER	DESCRIPTION
LF1-2	LAMP 137417-01-CHT SCREW G11-08-16U (4) CONNECTOR 58028-01-000 (2)	LAMP ASM, FROSTED LENS, 1 BULB W/SWITCH PROGRESSIVE DYNAMICS INC. 
LF2-2	LAMP 137417-04-CHT SCREW G11-08-16U (6) CONNECTOR 58028-01-000 (2)	LAMP ASM, FROSTED LENS, 2 BULB W/SWITCH PROGRESSIVE DYNAMICS INC. 
LO1-2	LAMP 137417-02-CHT SCREW G11-08-16U (4) CONNECTOR 58028-01-000 (2)	LAMP ASM, OPTI CLEAR LENS, 1 BULB W/SWITCH PROGRESSIVE DYNAMICS INC. 
LO2-2	LAMP 137417-05-CHT SCREW G11-08-16U (6) CONNECTOR 58028-01-000 (2)	LAMP ASM, OPTI CLEAR LENS, 2 BULB W/SWITCH PROGRESSIVE DYNAMICS INC. 
LF1N2	LAMP 137417-03-CHT SCREW G11-08-16U (4) CONNECTOR 58028-01-000 (2)	LAMP ASM, FROSTED LENS, 1 BULB W/O SWITCH PROGRESSIVE DYNAMICS INC. 
LFSN2	LAMP 137417-06-CHT SCREW G11-08-16U (6) CONNECTOR 58028-01-000 (2)	LAMP ASM, SINGLE FROSTED LENS, 2 BULB W/O SWITCH PROGRESSIVE DYNAMICS INC. 

LAMP ASM-PACKAGE, PORCH

NO	PART NUMBER	DESCRIPTION
LEXT-1	LAMP 97917-01-CHT SCREW G67-10-129 (4) CONNECTOR 58028-01-000 (2)	LAMP ASM-PORCH, SURFACE MOUNT BARGMAN 
LEXT-2UL	LAMP 8089-01-000 SCREW G68-06-10E (2) CONNECTOR 58028-01-000 (2)	LAMP ASM-PORCH, RECESSED UL LIST JRV PROD 
LEXT-2CA	LAMP 8089-02-000 SCREW G68-06-10E (2) CONNECTOR 58028-01-000 (2)	LAMP ASM-PORCH, RECESSED CAN LIST JRV PROD 

LEGEND

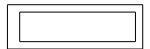
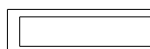

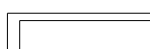
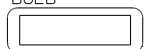

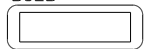
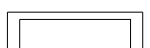

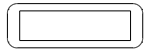


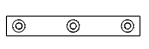

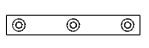
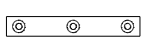
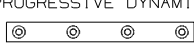

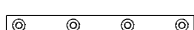
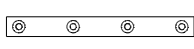
FIRST USED	96 MH'S
TITLE	DO NOT SCALE DRAWING
	PART LISTING-ELECTRICAL
SHEET 3	PART NO 121339 REV




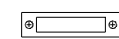
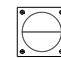
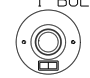

LAMP ASM-PACKAGE, FLUORESCENT

LAMP ASM-PACKAGE, MAKEUP LAMP

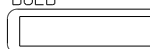

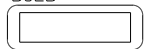
LAMP ASM-PACKAGE, OTHER

NO	PART NUMBER	DESCRIPTION
FLU-1	LAMP 91936-02-CHT SCREW G11-08-12U (4) CONNECTOR 58028-01-000 (2)	LAMP ASM-FLUORESCENT 12" 2 BULB W/SWITCH THIN-LITE 
FLU-2	LAMP 91936-01-CHT SCREW G11-08-12U (4) CONNECTOR 58028-01-000 (2)	LAMP ASM-FLUORESCENT 18" 2 BULB W/SWITCH THIN-LITE 
FLU-3	LAMP 127327-01-CHT SCREW G11-08-12U (2) CONNECTOR 58028-01-000 (2)	LAMP ASM-FLUORESCENT 18" 1-12" BULB W/SWITCH THIN-LITE 
FLU-4	LAMP 130338-01-CHT SCREW G11-08-12U (4) CONNECTOR 58028-01-000 (2)	LAMP ASM-FLUORESCENT 18" 2 BULB SURFACE MOUNT W/SWITCH THIN-LITE 
FLU-5	LAMP 153464-02-CHT SCREW G11-08-12U (4) CONNECTOR 58028-01-000 (2)	LAMP ASM-FLUORESCENT 12" 2 BULB W/SWITCH COOL WHITE BULB THIN-LITE CUTOUT-122 X 336 
FLU-6	LAMP 130338-02-CHT SCREW G11-08-12U (4) CONNECTOR 58028-01-000 (2)	LAMP ASM-FLUORESCENT 18" 2 BULB SURFACE MOUNT WARM WHITE BULB W/SWITCH THIN-LITE 
FLU-7	LAMP 153464-05-CHT SCREW G11-08-12U (4) CONNECTOR 58028-01-000 (2)	LAMP ASM-FLUORESCENT 12" 2 BULB W/SWITCH WARM WHITE BULB THIN-LITE CUTOUT-122 X 336 
FLUN1	LAMP 91936-04-CHT SCREW G11-08-12U (4) CONNECTOR 58028-01-000 (2)	LAMP ASM-FLUORESCENT 12" 2 BULB W/O SWITCH THIN-LITE 
FLUN2	LAMP 91936-03-CHT SCREW G11-08-12U (4) CONNECTOR 58028-01-000 (2)	LAMP ASM-FLUORESCENT 18" 2 BULB W/O SWITCH THIN-LITE 
FLUN3	LAMP 153464-01-CHT SCREW G11-08-12U (4) CONNECTOR 58028-01-000 (2)	LAMP ASM-FLUORESCENT 12" 2 BULB W/O SWITCH COOL WHITE BULB THIN-LITE CUTOUT-122 X 336 

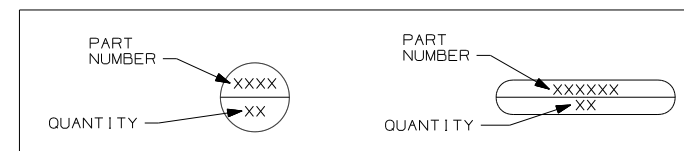
NO	PART NUMBER	DESCRIPTION
LMU3-1	LAMP 110235-01-CHT SCREW W/SPACER (SUPPLIED) CONNECTOR 58028-01-000 (2)	LAMP ASM-MAKEUP (W/O MIRROR) 3 BULB (SUPPLIED) PROGRESSIVE DYNAMICS 
LMM3-2	LAMP 123774-03-CHT SCREW (SUPPLIED) BULB 123918-01-000 (3) CONNECTOR 58028-01-000 (2)	LAMP ASM-MAKEUP (W/MIRROR) 3 BULB GUSTOFSON 
LMU3-2	LAMP 138116-01-CHT SCREW (SUPPLIED) BULB 123918-01-000 (3) CONNECTOR 58028-01-000 (2)	LAMP ASM-MAKEUP (W/O MIRROR) 3 BULB GUSTOFSON 
LMU3-3	LAMP 162446-01-CHT SCREW (SUPPLIED) BULB 123918-01-000 (3) CONNECTOR 58028-01-000 (2)	LAMP ASM-MAKEUP (W/O MIRROR) 3 BULB GUSTOFSON 
LMU4-1	LAMP 110235-02-CHT SCREW G11-08-16U (2) CONNECTOR 58028-01-000 (2)	LAMP ASM-MAKEUP (W/O MIRROR) 4 BULB PROGRESSIVE DYNAMICS 
LMU4-2	LAMP 138116-02-CHT SCREW (SUPPLIED) BULB 123918-01-000 (4) CONNECTOR 58028-01-000 (2)	LAMP ASM-MAKEUP (W/O MIRROR) 4 BULB GUSTOFSON 
LMU4-3	LAMP 162446-02-CHT SCREW (SUPPLIED) BULB 123918-01-000 (4) CONNECTOR 58028-01-000 (2)	LAMP ASM-MAKEUP (W/O MIRROR) 4 BULB GUSTOFSON 
LMM4-2	LAMP 123774-01-CHT SCREW G11-08-16U (2) BULB 123918-01-000 (4) CONNECTOR 58028-01-000 (2)	LAMP ASM-MAKEUP (W/MIRROR) 4 BULB GUSTOFSON 

NO	PART NUMBER	DESCRIPTION
LSH-1	LAMP 121935-01-CHT SCREW G11-08-16U (4) CONNECTOR 58028-01-000 (2)	LAMP ASM-SHOWER PROGRESSIVE DYNAMICS INC. 
LSH-2	LAMP 164039-01-CHT SCREW G11-08-16U (3) CONNECTOR 58028-01-000 (2)	LIGHT-DOME, SHOWER 
LSH-3	LAMP 164040-01-CHT SCREW G13-07-12U (3) CONNECTOR 58028-01-000 (2)	LIGHT-DOME, SHOWER GLASS 
LCR-1	LAMP 61424-01-000 SCREW G11-08-12U (4) CONNECTOR 58028-01-000 (2)	LAMP ASM-COURTESY, AISLE RAMCO (RECTANGULAR) 
LCS-1	LAMP 108354-01-CHT SCREW G11-08-12U (4) CONNECTOR 58028-01-000 (2)	LAMP ASM-COURTESY, AISLE ITC MARINE (SQUARE) 
READ-1	LIGHT-READING 132427-01-CHT SCREW SUPPLIED W/ LIGHT CLIP-U 141395-02-CHT (2) CONNECTOR 58028-01-000 (2)	LIGHT-READING, SWIVEL, ROUND 1 BULB 
READ-2	LIGHT-READING 128786-02-CHT SCREW G11-08-16J (2) BULB 123917-01-000 CONNECTOR 58028-01-000 (2)	LIGHT, READING, SWIVEL 

LAMP ASM-PACKAGE, FLUORESCENT

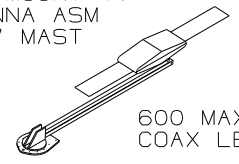
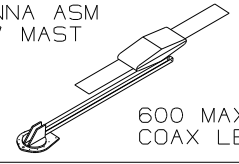
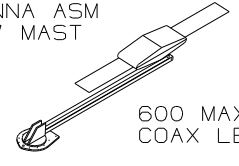
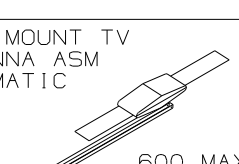
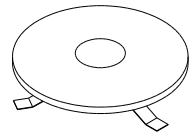
NO	PART NUMBER	DESCRIPTION
FLUN4	LAMP 153464-03-CHT SCREW G11-08-12U (6) CONNECTOR 58028-01-000 (2)	LAMP ASM-FLUORESCENT 18" 2 BULB W/O SWITCH COOL WHITE BULB THIN-LITE CUTOUT-122 X 480 
FLUN5	LAMP 153464-06-CHT SCREW G11-08-12U (6) CONNECTOR 58028-01-000 (2)	LAMP ASM-FLUORESCENT 18" 2 BULB W/O SWITCH WARM WHITE BULB THIN-LITE CUTOUT-122 X 480 
FLUN6	LAMP 153464-04-CHT SCREW G11-08-12U (6) CONNECTOR 58028-01-000 (2)	LAMP ASM-FLUORESCENT 12" 2 BULB W/O SWITCH WARM WHITE BULB THIN-LITE CUTOUT-122 X 336 

LEGEND

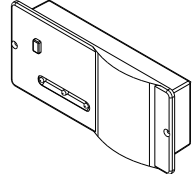


FIRST USED	96 MH'S
DO NOT SCALE DRAWING	
TITLE: PART LISTING-ELECTRICAL	
SHEET 4	PART NO 121339 REV

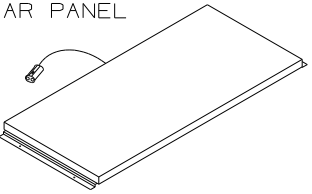
ANTENNA ASM-PACKAGE

NO	PART NUMBER	DESCRIPTION
ANT-1	ANTENNA 76319-24-000 HARDWARE-INTERIOR 76319-25-000 BUMPER 69726-02-000 (2) CLIP 80734-02-000	ROOF MOUNT TV ANTENNA ASM 25.5" MAST  600 MAX COAX LENGTH
ANT-2	ANTENNA 76319-23-000 HARDWARE-INTERIOR 76319-25-000 BUMPER 69726-02-000 (2) ADAPTER SUPPLIED W/ANTENNA	ROOF MOUNT TV ANTENNA ASM 44.5" MAST  600 MAX COAX LENGTH
ANT-2W	ANTENNA 76319-23-000 HARDWARE-INTERIOR 76319-25-000 BUMPER 69726-02-000 (2) ADAPTER SUPPLIED W/ANTENNA WEDGE 76319-26-000	ROOF MOUNT TV ANTENNA ASM 44.5" MAST  600 MAX COAX LENGTH
ANTA-1	ANTENNA 158270-01-CHT BUMPER 69726-02-000 (2) ADAPTER SUPPLIED W/ANTENNA	ROOF MOUNT TV ANTENNA ASM AUTOMATIC  600 MAX COAX LENGTH
ANT-3	ANTENNA-TV ROOF MNT,ROUND 132935-01-000 PLATE-ROOF, CABLE ENTRY 146488-01-000 SCREW G67-10-129 (10) CABLE ASM-COAX 87105-01-006 ADAPTER 82134-01-000	ROOF MOUNT OMNI- DIRECTIONAL ANTENNA MOUNTING SCREWS SUPPLIED WITH ANTENNA 

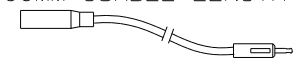
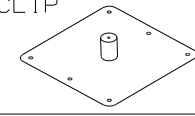

SENSORS

NO	PART NUMBER	DESCRIPTION
LPGD	LP GAS DETECTOR 150138-01-CHT SCREW G68-06-10U (2)	DETECTOR-LP GAS 

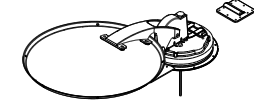
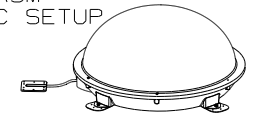
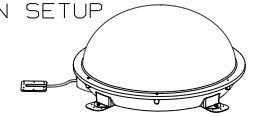
PANELS

NO	PART NUMBER	DESCRIPTION
SOLAR	PANEL-SOLAR 10 WATT 151647-01-000 SCREW G11-08-12U (4)	SOLAR PANEL 

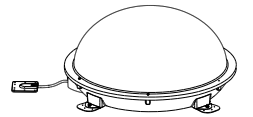
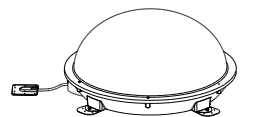
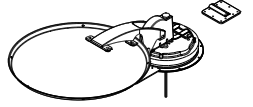
ANTENNA ASM-PACKAGE

ANTEXT-1	CABLE ASM-EXTENS 77069-02-000	RADIO ANTENNA CABLE EXTENSION 2400MM USABLE LENGTH 
ANTKIT-1	ADAPTER-PLATE 76319-06-000 SCREW G11-08-08T (6) CLIP-WIRE 80734-02-000 SCREW G11-08-08T	PLATE ASM-ADAPTERS CABLE ROOF MOUNTING PLATE W/ CABLE-CABLE ADAPTER, FITTINGS, AND CABLE RETAINING CLIP 
ANT-R	ANTENNA-RADIO 90944-01-000 EXTENDER-SHAFT ANTENNA 109889-04-000 BRACKET-ANTENNA GROUND 147741-01-CHT	ROOF MOUNT RADIO ANTENNA 
ANTEXT-2	CABLE ASM-EXTENS 77069-03-000	RADIO ANTENNA CABLE EXTENSION 6600 MM USABLE LENGTH

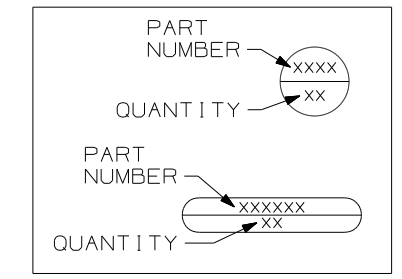
SATELLITE DISH INSTL

NO	PART NUMBER	DESCRIPTION
DM-1	SATELLITE DISH 137135-02-000 SCREW G67-10-12B (8) PLATE & BRACKET (SUPPLIED) SCREW G67-10-12B (10)	SATELLITE DISH ANTENNA ASM MANUAL SETUP 
DA-1	SATELLITE DISH 163598-01-CHT PLATE-ROOF,CABLE ENTRY QUAD 146488-03-000 SCREW G67-10-12U (8) (FOR PLATE) SCREW G39-10-12U (12) (FOR SATELLITE DISH)	SATELLITE DISH ANTENNA ASM AUTOMATIC SETUP 
D1-1	SATELLITE DISH 154474-04-CHT SCREW G39-10-12B (12) PLATE 146488-01-000 SCREW G67-10-12B (10)	SATELLITE DISH ANTENNA ASM IN MOTION SETUP 

SATELLITE DISH INSTL

NO	PART NUMBER	DESCRIPTION
DA-2	SATELLITE DISH 163598-01-CHT PLATE-ROOF,CABLE ENTRY QUAD 146488-03-000 CABLE ASM-COAX 9" 163598-04-000 ADAPTOR-CABLE TO CABLE 82134-01-000 SCREW G67-10-12U (8) (FOR PLATE) SCREW G39-10-12U (12) (FOR SATELLITE DISH)	SATELLITE DISH ANTENNA ASM AUTOMATIC SETUP 
D1-2	SATELLITE DISH 154474-04-CHT PLATE-ROOF,CABLE ENTRY QUAD 146488-03-000 CABLE ASM-COAX 9" 163598-04-000 ADAPTOR-CABLE TO CABLE 82134-01-000 SCREW G67-10-12U (8) (FOR PLATE) SCREW G39-10-12U (12) (FOR SATELLITE DISH)	SATELLITE DISH ANTENNA ASM AUTOMATIC SETUP 
DM-2	SATELLITE DISH 137135-05-000 PLATE-ROOF,ENTRY (SUPPLIED WITH SATELLITE DISH) SCREW G67-10-12U (8) (FOR ROOF PLATE) SCREW G67-10-12U (10) (FOR SATELLITE DISH)	SATELLITE DISH ANTENNA ASM MANUAL SETUP 

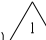
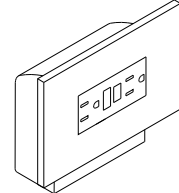

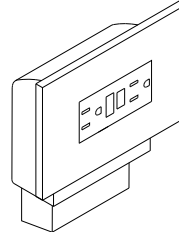
LEGEND

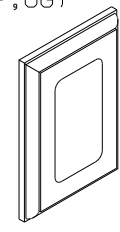
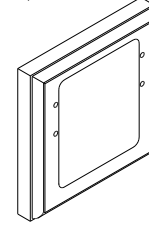
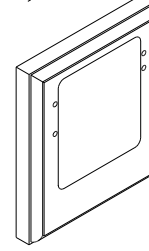
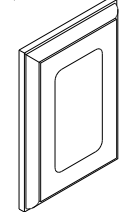
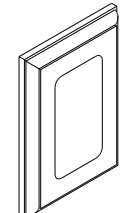


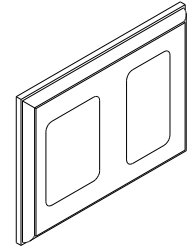
FIRST USED	96 MH'S
TITLE	DO NOT SCALE DRAWING
TITLE	PART LISTING-ELECTRICAL
SHEET 5	PART NO 121339 REV

RECEPTACLE PACKAGE - GF I


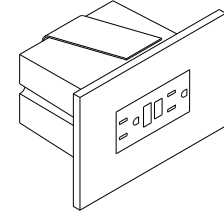
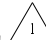
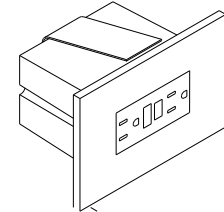
SPACERS

NO	PART NUMBER	DESCRIPTION
GF1 US	RECEPTACLE 163319-01-CHT BOX 91910-02-000 WIRE-BONDING 133678-03-000 SCREW G13-07-12B (4) CONNECTOR 8313-01-000 TUBING-VINYL 8041-02-000 (300MM) 	GF1 RECEPTACLE WITH COVER AND BOX FOR US APPLICATION 
GF1 CAN	RECEPTACLE 163319-01-CHT BOX 91910-01-000 WIRE-BONDING 133678-03-000 SCREW G13-07-12B (4) CONNECTOR 8313-01-000 TUBING-VINYL 8041-02-000 (300MM) 	GF1 RECEPTACLE WITH COVER AND BOX FOR CANADA APPLICATION 

NO	PART NUMBER	DESCRIPTION
SP-01	SPACER 102568-01-XXX	STANDARD 110V RECEPTACLE SPACER (WOOD,VYL RAP,OG) 
SP-02	SPACER 102568-02-XXX	WOOD SPACER FOR CEILING MOUNTED A/C PREP BOX (US) (WOOD,VYL RAP,OG) 
SP-03	SPACER 102568-03-XXX	WOOD SPACER FOR CEILING MOUNTED A/C PREP BOX (CANADA) (WOOD,VYL RAP,OG) 
SP-04	SPACER 133713-01-CHT	STANDARD 110V RECEPTACLE SPACER (WOOD,VYL RAP,BEV) 
SP-05	SPACER 133713-20-XXX	STANDARD 110V RECEPTACLE SPACER (WOOD,BEV) 

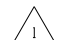
SP-21	SPACER 126052-01-XXX	WOOD SPACER FOR 1 - 110V RECEPTACLE AND 1 - REAR TV (12V) JACK (WOOD,BEV) 
-------	-------------------------	---

RECEPTACLE PACKAGE - GF I

NO	PART NUMBER	DESCRIPTION
GF1-L US	RECEPTACLE 163319-01-CHT BOX 133070-01-000 WIRE-BONDING 133678-03-000 SCREW G13-07-12B (4) CONNECTOR 8313-01-000 TUBING-VINYL 8041-02-000 (300MM) 	GF1 RECEPTACLE WITH COVER AND BOX FOR US APPLICATION 
GF1-L CAN	RECEPTACLE 163319-01-CHT BOX 133070-02-000 WIRE-BONDING 133678-03-000 SCREW G13-07-12B (4) CONNECTOR 8313-01-000 TUBING-VINYL 8041-02-000 (300MM) 	GF1 RECEPTACLE WITH COVER AND BOX FOR CANADA APPLICATION 

LEGEND

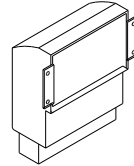
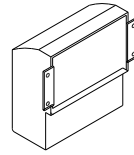
MISC.	SPACER
PART NUMBER → XXXX LISTING → XXX	XXXX → PART NUMBER

 APPLY TUBING TO BARE GROUND WIRES.
NOTES:

FIRST USED	96 MH'S
TITLE	DO NOT SCALE DRAWING
	PART LISTING-ELECTRICAL
SHEET 6	PART NO 121339 REV

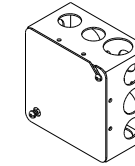
PREP - A/C, RECESSED (W/OUT FACTORY A/C)

NO	PART NUMBER	DESCRIPTION
PREP A/C-US	BOX 91910-02-000 COVER 84099-02-CHT LABEL 91243-01-000 SCREW G13-07-12B (4) CONNECTOR 8313-01-000 (3)	BOX AND EQUIPMENT USED FOR A/C PREP (W/OUT FACTORY A/C). US APPLICATION (RECESSED IN ROOF)
PREP A/C-CAN	BOX 91910-01-000 COVER 84099-02-CHT LABEL 91243-01-000 SCREW G13-07-12B (4) CONNECTOR 8313-01-000 (3)	BOX AND EQUIPMENT USED FOR A/C PREP (W/OUT FACTORY A/C). CANADA APPLICATION (RECESSED IN ROOF)



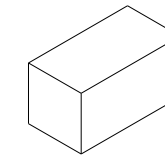
CONNECTION BOX, GENERATOR SERVICE FEED

NO	PART NUMBER	DESCRIPTION
J-GEN 30	BOX 8289-01-000 COVER 8294-01-000 SCREW G67-10-10B (2)	BOX AND EQUIPMENT USED FOR CONNECTING THE GENERATOR LEADS TO THE SERVICE ENTRANCE WIRES (US & CA APPLICATION)
J-GEN 30-US	WIRE ASM-GROUND 133678-02-000	
J-GEN 30-CA	WIRE NUT-GREY 8314-01-000 (3) SCREW-GRND 103291-01-000 CONNECTOR-WIRE 8356-01-000	



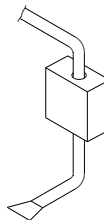
PREP - A/C, SURFACE (W/OUT FACTORY A/C)

NO	PART NUMBER	DESCRIPTION
PREP SURF	BOX 93603-01-000 COVER 53337-01-000 LABEL 91243-01-000 SCREW-GRND 103291-01-000 WIRE-BONDING 8019-01-000 SCREW G11-08-12B (2) TERMINAL 8328-01-000 CONNECTOR 8313-01-000 (2) CONNECTOR 8311-01-000	SURFACE MOUNT, US AND CANADA, BOX AND EQUIPMENT FOR A/C PREP (W/OUT FACTORY A/C). TYPICALLY LOCATED ON OVERHEAD CABINET INNER WALL OR ON CEILING.



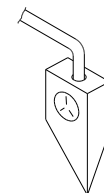
CONNECTION BOX-POWER CORD

NO	PART NUMBER	DESCRIPTION
J-PC 30	BOX 8289-01-000 COVER 8294-01-000 SCREW G67-10-10B (2)	CONNECTION BOX IN POWER CORD COMPT FOR POWER CORD (US & CA APPLICATION)
J-PC 30-US	WIRE ASM-GROUND 133678-02-000	
J-PC 30-CA	CONNECTOR 8314-01-000 (3) SCREW-GRND 103291-01-000 CONNECTOR 8356-02-000 CONNECTOR (PC) 8355-01-000	

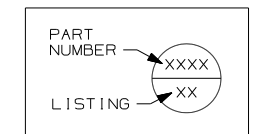


CONNECTION BOX-GENERATOR RECEPTACLE

NO	PART NUMBER	DESCRIPTION
J-RCP 30	BOX 8289-01-000 RECEPTACLE 24924-02-000 COVER 69238-01-000 SCREW G67-10-10B (2)	CONNECTION BOX IN POWER CORD COMPT FOR THE GENERATOR RECEPTACLE (US & CA APPLICATION)
J-RCP 30-US	WIRE ASM-GROUND 133678-02-000	
J-RCP 30-CA	133678-04-000 SCREW-GRND 103291-01-000 CONNECTOR 8314-01-000 TUBING-VINYL 8041-02-000 (1) (150MM)	



LEGEND



NOTES:
1 APPLY TUBING TO BARE GROUND WIRES.

FIRST USED	96 MH'S
TITLE	DO NOT SCALE DRAWING
	PART LISTING-ELECTRICAL
SHEET 7	PART NO 121339 REV

WIRE IDENTIFICATION CHART		
CODE/COLOR	FROM:	TO:
A 14 YEL	GALLEY CEILING LAMP SWITCH	GALLEY CEILING LAMP
B 12 YEL	OVERCURRENT PROTECTION (30A BREAKER TYPICAL)	POWER PASSENGER SEAT ("BUDDY SEAT")
C 12 WHT	POWER PASSENGER SEAT	GROUND
D 14 YEL	SHOWER OVHD LAMP SWITCH SEE WIRE PF, START OF 97	SHOWER OVHD LAMP
E 095038-01-	PHONE INPUT JACK	REAR PHONE JACK
F 095038-01-	PHONE INPUT JACK	EXTERIOR PHONE JACK
G 12/ 10 YEL	OVERCURRENT PROTECTION (30A BREAKER TYPICAL)	HIGH SPEED HEATER FAN (USE 10 IF OVER 6' RUN)
H 095038-01-	PHONE INPUT JACK	FRONT PHONE JACK
J 6 BLK	OVERCURRENT PROTECTION (45 OR 55A BREAKER TYP)	COACH 12V PANEL/ CONVERTER BATTERY CHARGE
K 6 BLK	OVERCURRENT PROTECTION (45 OR 55A BREAKER TYP)	COACH 12V PANEL
L 6 GRN	CONVERTER 45 OR 55 AMP	GROUND
M 6 BLK	OVERCURRENT PROTECTION (45 OR 50A BREAKER)	CONVERTER BATTERY CHARGE
N 10 WHT	REFRIGERATOR	GROUND
P 10YEL(BLK)	OVERCURRENT PROTECTION (20A FUSE TYPICAL)	REFRIGERATOR (3 WAY)
R 8 GRN	REFRIGERATOR CHASSIS	GROUND
S 8 OR 6 GRN	GROUND BAR (LEFT SIDE)	CHASSIS GROUND
T 8 OR 6 GRN	GROUND BAR (RIGHT SIDE)	CHASSIS GROUND
U 6 GRN	CONVERTER CHASSIS	GROUND
W 8 GRN	- GROUND STUD	- GROUND STUD

WIRE IDENTIFICATION CHART		
CODE/COLOR	FROM:	TO:
X 14 YEL	- CHASSIS BRAKE LAMP CIRCUIT	- CENTER MOUNT BRAKE LAMP
Y 16 YEL	VOLUME CONTROL	RADIO/TV SPEAKER
Z 6 BLK	OVERCURRENT PROTECTION (45 OR 55A BREAKER TYP)	COACH 12V PANEL
AA 16 WHT	SERVICE ENGINE SOON LAMP	VEHICLE SERVICE ENGINE SOON LAMP CIRCUIT
AB 16 WHT	WATER TANK LEVEL SENSORS	GROUND
AC 16 WHT	MAIN HOLDING TANK SENSORS (BLACK WATER)	GROUND
AD 16 WHT	AUXILIARY HOLDING TANK #1 (GRAY WATER)	GROUND
AE 16 WHT	AUXILIARY HOLDING TANK #2 (GRAY WATER)	GROUND
AF 12 YEL	WATER PUMP SWITCH #1	MONITOR PANEL WATER PUMP SWITCH
AG 12 YEL	WATER PUMP SWITCH #1	MONITOR PANEL WATER PUMP SWITCH
AH 14 YEL	OVERCURRENT PROTECTION (10A FUSE TYPICAL)	BRAKE LAMP SWITCH WARNING LAMP (IGNITION RUN/START FED)
AJ 12 WHT	CHASSIS GROUND	BODY GROUND
AK 12 WHT	CHASSIS GROUND	BODY GROUND
AL 12 YEL	HEATER CONTROL (LOW SPEED)	BLOWER MOTOR (LOW SPEED)
AM 12YEL(WHT)	HEATER CONTROL (MEDIUM/LOW SPEED)	BLOWER MOTOR (MEDIUM/LOW SPEED)
AN 12 YEL	HEATER CONTROL (MEDIUM/HIGH SPEED)	BLOWER MOTOR (MEDIUM/HIGH SPEED)
AP 14 YEL	IGNITION SWITCH ACCESSORY FEED	OVERCURRENT PROTECTION (15A FUSE TYPICAL)
AR 14 WHT	HORN, FOG LAMPS	GROUND
AS 18 WHT	DASH RADIO	RIGHT FRONT SPEAKER (NEGATIVE)

WIRE IDENTIFICATION CHART		
CODE/COLOR	FROM:	TO:
AT 18 WHT	DASH RADIO	LEFT FRONT SPEAKER (NEGATIVE)
AU 16 YEL	OVERCURRENT PROTECTION (15A BREAKER TYPICAL)	FRONT CARGO LAMP SWITCH (IGNITION ACCESSORY FED)
AW 16 YEL	FRONT CARGO LAMP SWITCH	REAR CARGO LAMP SWITCH
AX 16 YEL	FRONT CARGO LAMP SWITCH	REAR CARGO LAMP SWITCH
AY 16 YEL	REAR CARGO LAMP SWITCH	CARGO LAMPS
BA 14 WHT	WINDSHIELD WIPER MOTOR	GROUND
BB 16 YEL	OVERCURRENT PROTECTION (6A BREAKER TYPICAL)	INSTRUMENT PANEL GAUGES (IGNITION ACCESSORY FED)
BC 14 WHT	INDICATOR LAMPS	GROUND
BD 14 YEL	OVERCURRENT PROTECTION (10A FUSE TYPICAL)	BRAKE LAMP SWITCH
BE 12 WHT	BLOWER MOTOR	GROUND
BF 14 WHT	WASHER BOTTLE PUMP/HORN	GROUND
BG 14 YEL	FUEL SENDER	FUEL GAUGE
BH 14 YEL	RUN ONLY POWER RELAY	ENGINE WIRING
BJ 16 YEL	OVERCURRENT PROTECTION (10A FUSE TYPICAL)	ENGINE WIRING (IGNITION RUN/START FED)
BK 14 YEL	OVERCURRENT PROTECTION (10A FUSE TYPICAL)	HORN RELAY FEED
BL 16 WHT	CIGAR LIGHTER	GROUND
BM 16 YEL	CHASSIS BATTERY POWER	CIGAR LIGHTER
BN 16 YEL	ACCESSORY POWER	SPOTLAMP
BP 14 WHT	POWER MIRROR	GROUND

WIRE IDENTIFICATION CHART		
CODE/COLOR	FROM:	TO:
BR 14 YEL	POWER MIRROR (RIGHT SIDE)	POWER MIRROR CONTROL SWITCH
BS 14 YEL	POWER MIRROR HEAT SWITCH	POWER MIRRORS
BT 14 YEL	POWER MIRROR (LEFT SIDE)	POWER MIRROR CONTROL SWITCH
BU 14 YEL	RUN ONLY POWER	POWER MIRROR HEAT/ CONTROL SWITCHES
BW 12 YEL	IGNITION SWITCH	ACCESSORY CIRCUIT FEED
BX 12YEL(ORN)	IGNITION SWITCH RUN ONLY SOURCE	GENERAL(TURN, BACK UP,DASH IGNITION CIRCUIT,ETC)
BY 12YEL/8BLK	OVERCURRENT PROTECTION (16GA FUSELINK)(8GA PASSTHRU)	CHASSIS BATTERY SOURCE(AUTO AC BLOWER,POWER DRIVER SEAT,ETC)
CA 12 YEL	OVERCURRENT PROTECTION (16GA FUSELINK TYPICAL)	CHASSIS BATTERY SOURCE
CB 12 YEL	IGNITION SWITCH START SOURCE	START CIRCUIT SOURCE
CC 16 YEL	ALTERNATOR	ALTERNATOR WARNING LAMP
CD 16 YEL	OIL PRESSURE WARNING SENDER	OIL PRESSURE WARNING LAMP
CE 16 YEL	WATER TEMPERATURE WARNING SENDER	WATER TEMPERATURE WARNING LAMP
CF 14 YEL	REAR TV JACK	POWER FEED SWITCH
CG 14 YEL	CLUTCH/NEUTRAL SWITCH	START ISOLATION RELAY
CH 14 YEL	START RELAY	ENGINE WIRING
CJ 14 YEL	WINDSHIELD WIPER/WASHER CONTROL SWITCH	WINDSHIELD WASHER PUMP
CK 16 YEL	TELEVISION	SPEAKER (POSITIVE)
CL 16 WHT	TELEVISION	SPEAKER (NEGATIVE)
CM 10 YEL	OVERCURRENT PROTECTION (15A BREAKER TYPICAL)	INVERTER FEED

WIRE IDENTIFICATION CHART		
CODE/COLOR	FROM:	TO:
CN 10 WHT	INVERTER	GROUND
CP 12 WHT	INVERTER CHASSIS	GROUND
CR 16 WHT	VEHICLE CHECK ENGINE LAMP CIRCUIT	CHECK ENGINE LAMP
CS 16 WHT	REMOTE THERMOSTAT (RC TERM/ORG EXPORT AIR)	GROUND
CT 16 YEL	DAYTIME RUNNING LAMP MODULE OUTPUT(PIN 30)	LOW BEAM HEADLAMP CIRCUIT
CU 16 YEL	DAYTIME RUNNING LAMP MODULE ENABLE(PIN 85)	RUN/START CIRCUIT
CW 14 YEL	DAYTIME RUNNING LAMP MODULE POWER(PIN 87A)	CHASSIS BATTERY POWER
CX 16 WHT	DAYTIME RUNNING LAMP MODULE GROUND(PIN 87)	GROUND
CY 16 YEL	DAYTIME RUNNING LAMP MODULE HIGH BEAM DISABLE(PIN 86)	HIGH BEAM HEADLAMP CIRCUIT
DA 12 YEL	SHOWER SUMP SYSTEM PUMP SWITCH	SHOWER SUMP SYSTEM PUMP
DB 12 WHT	SHOWER SUMP SYSTEM PUMP	GROUND
DC 16 YEL	REAR ROOF AIR CONDITIONER EXHAUST CIRCUIT	THERMOSTAT
DD 16 YEL	REAR ROOF AIR CONDITIONER COOL CIRCUIT	THERMOSTAT (Y TERM-EXPORT AIR/YEL)
DE 16 YEL	REAR ROOF AIR CONDITIONER HIGH SPEED FAN CIRCUIT	THERMOSTAT (H TERM-EXPORT AIR/BLU)
DF 16 YEL	REAR ROOF AIR CONDITIONER LOW SPEED FAN CIRCUIT	THERMOSTAT (G TERM-EXPORT AIR/RED)
DG 12YEL(GRY)	IGNITION SWITCH	ACCESSORY/RUN FEED
DH 14 YEL	EMERGENCY SHUTDOWN GAUGE	FUEL SOLENOID (DIESEL ENGINE)
DJ 16 YEL	TV/RADIO SPEAKER SWITCHING RELAY OUTPUT	LEFT REAR SPEAKER POSITIVE
DK 16 WHT	TV/RADIO SPEAKER SWITCHING RELAY OUTPUT	LEFT REAR SPEAKER NEGATIVE

WIRE IDENTIFICATION CHART		
CODE/COLOR	FROM:	TO:
DL 16 YEL	TV/RADIO SPEAKER SWITCHING RELAY OUTPUT	RIGHT REAR SPEAKER POSITIVE
DM 16 WHT	TV/RADIO SPEAKER SWITCHING RELAY OUTPUT	RIGHT REAR SPEAKER NEGATIVE
DN 10 YEL	BATTERY DISCONNECT RELAY	CIRCUIT BREAKER SLIDEOUT ROOM CIRCUIT BRKR
DP 14 YEL	TV/RADIO SPEAKER FEED SELECT SWITCH	TV/RADIO SPEAKER SWITCHING RELAY COIL INPUT OR AMPLIFIER
DR 16 YEL	HWH WIRING OR KWIKEE FRONT SLIDE MODULE	SLIDEOUT SWITCH (ROOM ONE EXTEND)
DS 16 WHT	CONTROL MODULE (FRONT SLIDE)(GROUND)	SLIDEOUT SWITCH (FRONT SLIDEOUT)
DT 16 YEL	SLIDEOUT ROOM RELAY (PIN 30)	SLIDEOUT ROOM CONTROL SWITCH
DU 16 YEL	HWH WIRING OR KWIKEE FRONT SLIDE MODULE	SLIDEOUT SWITCH (ROOM ONE RETRACT)
DW 16 WHT	SLIDEOUT ROOM SWITCH (G) (SWITCHED GROUND TO PUMP)	HWH WIRING (SWITCHED GROUND TO PUMP)
DX 16 WHT	HWH WIRING (G) (GROUND)	SLIDEOUT ROOM SWITCH (GROUND)
DY 16 WHT	HWH WIRING (G) (JACK SENSE; SWITCHED GROUND)	SLIDEOUT ROOM RELAY (JACK SENSE; SWITCHED GROUND)
EA 16 YEL	HWH WIRING (G) (ACCESSORY POWER)	SLIDEOUT ROOM RELAY (ACCESSORY POWER)
EB 16 YEL	SLIDEOUT ROOM RELAY (G) (SWITCHED ACCESSORY POWER)	FRT/RR SLIDEOUT ROOM SWITCH (SWITCHED EXTEND/RETRACT PWR)
EC 10 YEL	CHASSIS BATTERY POWER SOURCE (BATTERY MODE SOLENOID POST)	THRU FUSE TO AMP SOURCE SELECT RELAY(PIN 87)(OPTION 21V,95 Q)
ED 10 YEL	COACH BATTERY POWER SOURCE (BATTERY MODE SOLENOID POST)	THRU FUSE TO AMP SOURCE SELECT RELAY(PIN 87A)(OPTION 21V,95Q)
EE 16 YEL	AIR RIDE SUSPENSION LEFT DOWN SWITCH POSITION	AIR RIDE SUSPENSION LEFT HEIGHT CONTROL BOX
EF 16 YEL	AIR RIDE SUSPENSION LEFT UP SWITCH POSITION	AIR RIDE SUSPENSION LEFT HEIGHT CONTROL BOX
EG 16 WHT	AIR RIDE SUSPENSION WIRE ASM GROUND	AIR RIDE SUSPENSION CONTROL LAMP GROUNDS
EH 16 YEL	AIR RIDE SUSPENSION RIGHT DOWN SWITCH POSITION	AIR RIDE SUSPENSION RIGHT HEIGHT CONTROL BOX

WIRE IDENTIFICATION CHART		
CODE/COLOR	FROM:	TO:
EJ 16 YEL	AIR RIDE SUSPENSION RIGHT UP SWITCH POSITION	AIR RIDE SUSPENSION RIGHT HEIGHT CONTROL BOX
EK 16 YEL	AIR RIDE SUSPENSION AUTO MODE SWITCH POSITION	AIR RIDE SUSPENSION HEIGHT CONTROL BOXES
EL 16 YEL	RUN ONLY POWER	AIR RIDE SUSPENSION AUTO/MANUAL MODE SWITCH
EM 16 YEL	AIR RIDE SUSPENSION COMPRESSOR	COMPRESSOR ON WARNING LAMP
EN 16 YEL	AIR RIDE SUSPENSION MANUAL MODE SWITCH POSITION	LEVEL CONTROL SWITCHES AND INDICATOR LAMP
EP 14 YEL	OVERCURRENT PROTECTION (15A BREAKER TYPICAL)	SPOTLAMP
ER 16 YEL	OVERCURRENT PROTECTION (6A BREAKER TYPICAL)	ELECTRIC STEP KILL SWITCH
ES 16 YEL	ELECTRIC STEP KILL SWITCH	ELECTRIC STEP
ET 16 YEL	OVERCURRENT PROTECTION (6A BREAKER TYPICAL)	REFRIGERATOR (2 WAY)
EU 16 WHT	REFRIGERATOR (2 WAY)	GROUND
EW 14 YEL	FUEL HEATER SWITCH	FUEL HEATER (DIESEL ENGINE)
EX 14 YEL	TELEVISION POWER SWITCH	TELEVISION WALL PLATE
EY 12YELLTBLU	OVERCURRENT PROTECTION (16GA FUSELINK TYPICAL)	IGNITION SWITCH FEED #2
FA 14 YEL	DRIVER'S DOOR PASSENGER SIDE POWER WINDOW SWITCH(DOWN,PIN2)	PASSENGER'S POWER WINDOW SWITCH(PIN 2)
FB 14 YEL	DRIVER'S DOOR PASSENGER SIDE POWER WINDOW SWITCH(UP,PIN 4)	PASSENGER'S POWER WINDOW SWITCH(PIN 4)
FC 14 YEL	PASSENGER'S DOOR POWER WINDOW SWITCH(DOWN,PIN 1)	PASSENGER'S DOOR POWER WINDOW MOTOR(DOWN)
FD 14 YEL	PASSENGER'S DOOR POWER WINDOW SWITCH(UP,PIN 5)	PASSENGER'S DOOR POWER WINDOW MOTOR(UP)
FG 10 YEL	AMPLIFIER POWER SOURCE SELECT RELAY (PIN 30)	AMPLIFIER POWER FEED (DELUXE SOUND SYSTEM,95 LUXOR)
FH 10 WHT	AMPLIFIER (DELUXE SOUND SYSTEM,95 LUXOR)	GROUND

WIRE IDENTIFICATION CHART		
CODE/COLOR	FROM:	TO:
FJ 12 YEL	WATER PUMP SWITCH #2 (THREE SWITCH SYSTEM)	WATER PUMP SWITCH #1 (THREE SWITCH SYSTEM)
FK 12 YEL	WATER PUMP SWITCH #2 (THREE SWITCH SYSTEM)	WATER PUMP SWITCH #1 (THREE SWITCH SYSTEM)
FL 14 YEL	SECOND PORCH LAMP SWITCH	SECOND PORCH LAMP
FM 14 WHT	SOLENOID MOUNTING BOLT	GROUND
FN 16 YEL	SOURCE SELECTOR SWITCH (DELUXE SOUND SYSTEM,95 LUXOR)	AMP & EQUALIZER REMOTE TRIGGER (DELUXE SOUND SYSTEM,95 LUXOR)
FP 16 YEL	EXHAUST BRAKE SWITCH (DIESEL PUSHER CHASSIS)	CHASSIS EXHAUST BRAKE HARNESS & BRAKE ON DASH INDICATOR LAMP
FR 14 YEL	FORD RUN/ACCESSORY IGNITION CIRCUIT(WHT/PUR,10A FUSED)	DOCKING LAMPS, RELAY TRIGGER, REAR MONITOR CAMERA FEED
FS 14 YEL	DOCKING LAMPS RELAY(PIN 87)	DOCKING LAMPS
FT 14 WHT	DOCKING LAMPS	GROUND
FU 14 YEL	AUTOMOTIVE AIR WIRING	FORD A/C COMPRESSOR CLUTCH SWITCH CIRCUIT
FW 14 YEL	DOCKING LAMPS SWITCH	DOCKING LAMPS RELAY(PIN 30)
FX 12 YEL	OVERCURRENT PROTECTION (30A BRKR OR FUSE)	POWER DRIVER SEAT (I.E.,6 WAY)
FY 12 WHT	POWER DRIVER SEAT (I.E.,6 WAY)	GROUND
GA 14 YEL	WATER SYSTEM WINTERIZATION SWITCH	WINTERIZATION VALVE
GB 14 YEL	WATER HEATER BYPASS SWITCH	WATER HEATER BYPASS VALVE
GC 16 YEL	SLIDEOUT ROOM SPDT SWITCH (M) (SWITCHED WIRE)	HHW WIRING (SWITCHED WIRE)
GD 16 YEL	WIPER CONTROL MODULE	WIPER MOTOR (S TERMINAL)
GE 16 YEL	SWITCHED DOME LAMP FEED	DOME LAMP
GF 16 WHT	COMMON REAR CHANNEL SPEAKER RETURN	REAR SPEAKERS

WIRE IDENTIFICATION CHART		
CODE/COLOR	FROM:	TO:
GG 16 YEL	RADIO REMOTE TRIGGER (DELUXE SOUND OPTION)	SOURCE SELECTOR SWITCH (LUXOR)
GH 14 WHT	GLOW PLUG WAIT LAMP (DIESEL ENGINE)	ENGINE SENDER
GJ 16 YEL	COACH BATTERY POWER (UPSTREAM OF DISCONNECT)	LP DETECTOR AND/OR SOLAR PANEL WIRING OVERCURRENT PROTECTION
GK 14 YEL	AIR HORN SWITCH	CHASSIS HORN
GL 16 WHT	WATER/HOLDING TANKS LEVEL SENSORS	GROUND
GM 16 YEL	JET AIR RIDE SUSPENSION PRESSURE SENSORS	CHECK REAR AIR SUSPENSION DASH WARNING LAMP
GN 16 YEL	REAR TV SPEAKER OUTPUT (POSITIVE)	REAR TV SPEAKER (POSITIVE)
GP 16 WHT	REAR TV SPEAKER OUTPUT (NEGATIVE)	REAR TV SPEAKER (NEGATIVE)
GR 14 YEL	THERMOSTATICALLY CONTROLLED ROOF VENT (SEND)	THERMOSTAT (RETURN)
GS 14 YEL	THERMOSTATICALLY CONTROLLED ROOF VENT (RETURN)	THERMOSTAT (RETURN)
GT 16 YEL	RADIO POWER SWITCH (MEMORY FEED)	RADIO (MEMORY FEED)
GU 16 YEL	DEFOG MODULE OUTPUT	DEFOG RELAY, INDICATOR LAMP
GW 16 WHT	DEFOG SWITCH ON/OFF	DEFOG MODULE ON/OFF
GX 16/12 WHT	STEP COVER SWITCH (REF AAA-16/KA-12)	GROUND
GY 12 YEL	DEFOG RELAY	DEFOG UNIT
HA 14 YEL	READING LAMPS SWITCH (93 VANS)	READING LAMPS
HB 14 YEL	"MOOD" LAMPS SWITCH (93 VANS)	"MOOD" LAMPS
HC 14 YEL	12V POWER SOURCE (93 VANS)	OVERCURRENT PROTECTION (15A FUSE TYPICAL)
HD 14 YEL	SOFA SLIDE MOTOR POSITIVE (94 VANS)	SOFA MONOPLEX CONTROLLER

WIRE IDENTIFICATION CHART		
CODE/COLOR	FROM:	TO:
HE 14 WHT	SOFA SLIDE MOTOR NEGATIVE (94 VANS)	SOFA MONOPLEX CONTROLLER
HF 14 YEL	SOFA RECLINE MOTOR POSITIVE (94 VANS)	SOFA MONOPLEX CONTROLLER
HG 14 WHT	SOFA RECLINE MOTOR NEGATIVE (94 VANS)	SOFA MONOPLEX CONTROLLER
HH 16 YEL	SOFA MONOPLEX SWITCH (94 VANS)	SOFA MONOPLEX CONTROLLER
HJ 16 WHT	SOFA MONOPLEX SWITCH (94 VANS)	GROUND
HK 14 WHT	SOFA MONOPLEX CONTROLLER (94 VANS)	GROUND
HL 14 YEL	FLOOD LAMP SWITCH (94 VANS)	FLOOD LAMP
HM 16 YEL	REAR TV SPEAKER OUTPUT (POSITIVE)	REAR TV SPEAKER (POSITIVE)
HN 16 WHT	REAR TV SPEAKER OUTPUT (NEGATIVE)	REAR TV SPEAKER (NEGATIVE)
HP 16 YEL	OVERCURRENT PROTECTION (94 VANS)	REAR AC
HR 14 YEL	SWITCH (94 1200 MODEL VAN)	12VOLT RECEPTACLE
HS 16 YEL	SOLAR PANEL (1HS INDICATOR TO BATTERY)	COACH BATTERY THRU OVERCURRENT PROTECTION
HT 16 WHT	SOLAR PANEL (1HT INDICATOR TO GROUND)	GROUND
HU 16 YEL	GENERATOR SWITCH (LED)	GENERATOR (POSITIVE SIGNAL)
HW 16 YEL	LICENSE PLATE LAMP FEED	LICENSE PLATE LAMP
HX 16 YEL	CHASSIS CLEARANCE LAMP CRT #2	CLEARANCE/MARKER LAMPS
HY 12 WHT	DEFOG UNIT	GROUND
JA 14 YEL	OVERCURRENT PROTECTION (15A FUSE/BREAKER TYPICAL)	WATER PUMP, MONITOR PANEL, ETC ("CLEAN CIRCUIT", REF JP)
JB 14 YEL	OVERCURRENT PROTECTION (15A FUSE/BREAKER TYPICAL)	FURNACE, ROOF VENT, ETC (REF JM)

WIRE IDENTIFICATION CHART		
CODE/COLOR	FROM:	TO:
JC 14 YEL	OVERCURRENT PROTECTION (15A FUSE/BREAKER TYPICAL)	COACH LIGHTING, ETC CIRCUIT #1 (REF NC)
JD 14 YEL	OVERCURRENT PROTECTION (15A FUSE/BREAKER TYPICAL)	COACH LIGHTING, ETC CIRCUIT #2 (REF ND)
JE 14 YEL	OVERCURRENT PROTECTION (15A FUSE/BREAKER TYPICAL)	COACH LIGHTING, ETC CIRCUIT #3 (REF NE)
JF 14 YEL	OVERCURRENT PROTECTION (15A FUSE/BREAKER TYPICAL)	COACH LIGHTING, ETC CIRCUIT #4 (REF NF)
JG 14 YEL	OVERCURRENT PROTECTION (15A FUSE/BREAKER TYPICAL)	COACH LIGHTING, ETC(ALT CLEAN) CIRCUIT #5 (REF JN)
JH 14 YEL	MAIN FURNACE (12V POWER)	MAIN FURNACE THERMOSTAT
JJ 14 YEL	MAIN FURNACE (HEAT)	MAIN FURNACE THERMOSTAT
JK 14 YEL	AUXILIARY FURNACE	AUXILIARY FURNACE THERMOSTAT
JL 14 YEL	AUXILIARY FURNACE	AUXILIARY FURNACE THERMOSTAT
JM 14 WHT	MAIN FURNACE	GROUND
JN 14 WHT	COACH LIGHTING CIRCUIT #5 (REF JG)	GROUND(ALTERNATE CLEAN CIRCUIT FOR LINEAR CONVERTER)
JP 14 WHT	"CLEAN CIRCUIT" DEVICES (REF JA)	GROUND
JR 16 YEL	MONITOR PANEL	LP TANK #2 LEVEL SENSOR
JS 12 YEL	MONITOR PANEL WATER PUMP SWITCH	WATER PUMP
JT 16 YEL	MONITOR PANEL	LP TANK #1 LEVEL SENSOR
JU 14 YEL	MONITOR PANEL WATER HEATER SWITCH	WATER HEATER (BLU)
JW 14 YEL	MONITOR PANEL WATER HEATER SWITCH	WATER HEATER (BRN)
JX 14 WHT	WATER HEATER	GROUND
JY 12 WHT	WATER PUMP	GROUND

WIRE IDENTIFICATION CHART		
CODE/COLOR	FROM:	TO:
KA 12 YEL	OVERCURRENT PROTECTION (25A BREAKER TYPICAL)	ELECTRIC STEP BATTERY POWER
KB 10 YEL	OVERCURRENT PROTECTION (25A BREAKER TYPICAL)	ELECTRIC STEP KILL SWITCH (OLD STEP WIRING STYLE)
KC 10 YEL	ELECTRIC STEP KILL SWITCH (OLD STEP WIRING STYLE)	ELECTRIC STEP
KD 18 WHT	ELECTRIC STEP DOOR JAMB SWITCH	ELECTRIC STEP
KE 14 YEL	RUN ONLY POWER SOURCE	GENERAL PURPOSE(RELAY TRIGGER, REAR AUTO HTR,DRL,MONITOR,ETC)
KF 16 WHT	COACH BATTERY DISCONNECT RELAY SWITCH	GROUND
KG 14 YEL	POWER LIFT VENT (BLU)	POWER LIFT SWITCH(UP)
KH 14 YEL	POWER LIFT VENT (RED)	POWER LIFT SWITCH(DOWN)
KJ 14 YEL	POWER LIFT VENT (BLK)	FAN SWITCH
KK 18 YEL	REAR STEREO	RIGHT SPEAKER (POSITIVE)
KL 18 WHT	REAR STEREO	RIGHT SPEAKER (NEGATIVE)
KM 14 YEL	POWER LIFT VENT LAMP	LAMP SWITCH
KN 18 YEL	REAR STEREO	LEFT SPEAKER (POSITIVE)
KP 18 WHT	REAR STEREO	LEFT SPEAKER (NEGATIVE)
KR 14 WHT	REAR STEREO ANTENNA	GROUND
KS 14 YEL	REAR AUTO HEATER SWITCH (HIGH SPEED)	REAR AUTO HEATER
KT 14 YEL	REAR AUTO HEATER SWITCH (MEDIUM SPEED)	REAR AUTO HEATER
KU 14 YEL	REAR AUTO HEATER SWITCH (LOW SPEED)	REAR AUTO HEATER
KW 18 YEL	DASH RADIO	RIGHT FRONT SPEAKER (POSITIVE)

WIRE IDENTIFICATION CHART		
CODE/COLOR	FROM:	TO:
KX 18 YEL	DASH RADIO	RIGHT REAR SPEAKER (POSITIVE)
KY 18 YEL	DASH RADIO	LEFT FRONT SPEAKER (POSITIVE)
LA 18 YEL	DASH RADIO	LEFT REAR SPEAKER (POSITIVE)
LB 18 WHT	DASH RADIO	RIGHT REAR SPEAKER (NEGATIVE)
LC 18 WHT	DASH RADIO	LEFT REAR SPEAKER (NEGATIVE)
LD 14 YEL	IGNITION SWITCH ACCESSORY POWER SOURCE	GENERAL PURPOSE(AUX FANS,RELAY TRIGGER,ETC.)
LE 14 YEL	AUXILIARY DEFROST FANS SWITCH (HIGH SPEED)	AUXILIARY DEFROST FANS (BLK)
LF 14 YEL	AUXILIARY DEFROST FANS SWITCH (LOW SPEED)	AUXILIARY DEFROST FANS (RED)
LG 16 YEL	COACH BATTERY DISCONNECT RELAY (TERMINAL I)	COACH BATTERY DISCONNECT RELAY SWITCH
LH 16 YEL	COACH BATTERY DISCONNECT RELAY (TERMINAL S)	COACH BATTERY DISCONNECT RELAY SWITCH
LJ 16 YEL	COACH BATTERY DISCONNECT RELAY BATTERY SIDE FUSE FEED	COACH BATTERY DISCONNECT RELAY SWITCH
LK 16 YEL	COACH BATTERY DISCONNECT RELAY LOAD SIDE FUSE FEED	COACH BATTERY DISCONNECT RELAY SWITCH/INDICATOR LAMP
LL 16 WHT	GENERATOR SWITCH (START)	GENERATOR (RED)
LM 16 WHT	GENERATOR SWITCH (STOP)	GENERATOR (ORN)
LN 16 WHT	GENERATOR SWITCH/INDICATOR (GROUND)	GENERATOR (GRN)
LP 16 YEL	GENERATOR SWITCH/INDICATOR (RUN)	GENERATOR (BLU)
LR 14 YEL	BATTERY MODE SWITCH (AUX START SWITCH)	BATTERY MODE SOLENOID (AUX START SOLENOID)
LS 12 YEL	OVERCURRENT PROTECTION 20A BREAKER TYPICAL,COACH FEED	GENERAL PURPOSE(BATTERY MODE, RADIO POWER,BATTERY CONDITION)
LT 16 YEL	BATTERY CONDITION SWITCH	VOLTMETER (POWER FEED)

WIRE IDENTIFICATION CHART		
CODE/COLOR	FROM:	TO:
LU 14 YEL	CHASSIS BRAKE LAMP CIRCUIT	VEHICLE BRAKES, TAG AXLE CONTROL MODULE,ETC.
LW 14 YEL	WIPER CONTROL MODULE (PARK)	WINDSHIELD WIPER MOTOR (FRONT)
LX 14 YEL	WIPER CONTROL MODULE (LOW SPEED)	WINDSHIELD WIPER MOTOR (FRONT)
LY 14 YEL	WIPER CONTROL MODULE (HIGH SPEED)	WINDSHIELD WIPER MOTOR (FRONT)
MA 14 YEL	WIPER CONTROL MODULE (WASHER BOTTLE PUMP)	WINDSHIELD WASHER BOTTLE PUMP (FRONT)
MB 14 YEL	CHASSIS WINDSHIELD WIPER FEED CIRCUIT	OVERCURRENT PROTECTION (6A BREAKER TYPICAL)
MC 16 WHT	INSTRUMENT PANEL LAMPS	GROUND
MD 14 YEL	OVERCURRENT PROTECTION (15A BREAKER TYPICAL)	REMOTE MIRROR RELAY/POWER WINDOW FEED
ME 14 YEL	OVERCURRENT PROTECTION (15A BREAKER TYPICAL)	AIR HORN RELAY FEED/ MARKER LAMPS RELAY FEED
MF 14 YEL	OVERCURRENT PROTECTION (15A BREAKER TYPICAL)	FOG LAMP RELAY FEED/ SPOT LAMP FEED
MG 14 WHT	GENERAL PURPOSE(RELAYS,DASH DEVICES,ETC.)	GROUND
MH 16 WHT	CHASSIS CHOKE LAMP INDICATOR CIRCUIT	CHOKE LAMP
MJ 14 YEL	CHASSIS WINDSHIELD WIPER FEED CIRCUIT	WIPER CONTROL MODULE (POWER FEED)
MK 14 YEL	CHASSIS BATTERY POWER FEED CIRCUIT	GENERAL PURPOSE(CIGAR LIGHTER, DOME/COURTESY LAMPS,ETC)
ML 16 YEL	CHASSIS INSTRUMENT PANEL LAMPS FEED CIRCUIT	INSTRUMENT PANEL LAMPS
MM 14 YEL	CHASSIS CLEARANCE LAMP CRT #1 (BRN TYPICAL)	CLEARANCE/MARKER LAMPS
MN 14 WHT	DOME LAMP SWITCHED GROUND	DOME LAMP SWITCH(DOOR JAMB, INSTRUMENT PANEL SWITCH,ETC)
MP 18/16 WHT	ELEC STEP DOOR JAMB SWITCH, LP TANK SENDER, ETC	GROUND
MR 14 YEL	REAR WINDOW WIPER SWITCH (LOW SPEED)	REAR WINDOW WIPER MOTOR (LOW SPEED)

WIRE IDENTIFICATION CHART		
CODE/COLOR	FROM:	TO:
MS 14 WHT	CLEARANCE/MARKER LAMPS	GROUND
MT 8 WHT	ELECTRIC STEP	GROUND
MU 14 WHT	GENERAL PURPOSE(CIGAR LIGHTER, DOME LAMPS,12 V OUTLETS,ETC)	GROUND
MW 16 YEL	VEHICLE CHECK ENGINE LAMP CIRCUIT	CHECK ENGINE LAMP
MX 16 YEL	WINDSHIELD WIPER SWITCH	WIPER RELAY
MY 14 YEL	VEHICLE HEADLAMP FEED CIRCUIT	DIMMER MODULE
NA 14 YEL	VEHICLE HEADLAMP LOW BEAM CIRCUIT	DIMMER MODULE
NB 14 YEL	VEHICLE HEADLAMP HIGH BEAM CIRCUIT	DIMMER MODULE
NC 14 WHT	COACH LIGHTING CIRCUIT #1 (REF JC)	GROUND
ND 14 WHT	COACH LIGHTING CIRCUIT #2 (REF JD)	GROUND
NE 14 WHT	COACH LIGHTING CIRCUIT #3 (REF JE)	GROUND
NF 14 WHT	COACH LIGHTING CIRCUIT #4 (REF JF)	GROUND
NG 16 YEL	FOG LAMPS SWITCH	FOG LAMPS RELAY
NH 14 YEL	FOG LAMPS RELAY	FOG LAMPS
NJ 16 YEL	CHASSIS HORN FEED CIRCUIT	AIR HORN SWITCH
NK 14 YEL	AIR HORN SWITCH	AIR HORN AIR TANK AIR RELEASE VALVE
NL 14 YEL	AR HORN RELAY	AIR HORN AIR COMPRESSOR
NM 14 YEL	OVERCURRENT PROTECTION (15A FUSE TYPICAL)	COACH LIGHTING CIRCUIT #6 (REF PM)
NN 16 YEL	LEFT POWER MIRROR MOTOR (HORIZONTAL CONTROL,YEL)	POWER MIRROR CONTROL SWITCH

WIRE IDENTIFICATION CHART		
CODE/COLOR	FROM:	TO:
NR 16 YEL	LEFT POWER MIRROR (VERTICAL CONTROL, WHT)	POWER MIRROR CONTROL SWITCH
NS 14 YEL	POWER MIRROR HEATER SWITCH	POWER MIRRORS (RED)
NT 14 YEL	POWER MIRROR RELAY	POWER MIRROR CONTROL SWITCH
NU 14 YEL	AISLE LAMPS SWITCH #1	AISLE LAMPS SWITCH #2
NW 14 YEL	FRONT COMPARTMENT LAMPS SWITCH	COMPARTMENT LAMPS
NX 14 YEL	INTERSTATE COMMERCE COMMITTEE COURTESY BLINK SWITCH	CLEARANCE LAMPS
NY 14 YEL	AISLE LAMPS SWITCH #1	AISLE LAMPS SWITCH #2
PA 14 WHT	REAR AUTO HEATER	GROUND
PB 14 WHT	REAR WINDOW WIPER MOTOR	GROUND
PC 14 YEL	BEDROOM CEILING LAMP SWITCH	BEDROOM CEILING LAMP
PD 14 YEL	MAKE UP LAMP #1 SWITCH	MAKE UP LAMP #1
PE 14 YEL	BATH CEILING LAMP SWITCH	BATH CEILING LAMP
PF 14 YEL	SHOWER LAMP SWITCH WIRE D WAS FIRST USED ON C'S	SHOWER LAMP
PG 14 YEL	WARDROBE LAMP SWITCH	WARDROBE LAMP
PH 14 YEL	AISLE LAMPS SWITCH	AISLE LAMPS
PJ 14 YEL	PORCH LAMP SWITCH	PORCH LAMP
PK 14 YEL	STRIP LAMP SWITCH	STRIP LAMP
PL 14 YEL	FRONT CEILING LAMP SWITCH	FRONT CEILING LAMP
PM 14 WHT	COACH LIGHTING CIRCUIT #6 (REF NM)	GROUND

WIRE IDENTIFICATION CHART		
CODE/COLOR	FROM:	TO:
PN 16 WHT	RIGHT POWER MIRROR (COMMON,BLK)	POWER MIRROR CONTROL SWITCH
PP 16 YEL	RIGHT POWER MIRROR (HORIZONTAL CONTROL,YEL)	POWER MIRROR CONTROL SWITCH
PR 16 YEL	RIGHT POWER MIRROR (VERTICAL CONTROL,WHT)	POWER MIRROR CONTROL SWITCH
PS 14 YEL	MAP LAMP SWITCH	MAP LAMP
PT 14 YEL	BEVERAGE TRAY LAMP SWITCH	BEVERAGE TRAY LAMP
PU 14 YEL	DUMP LAMP SWITCH	DUMP LAMP
PW 14 YEL	OVERCURRENT PROTECTION (15A BREAKER TYPICAL)	POWER DOOR LOCK/UNLOCK RELAY (PIN 30)
PX 16 YEL	POWER DOOR LOCK SWITCH (LOCK) (PIN 1)	POWER DOOR LOCK RELAY (PIN 86)
PY 16 YEL	POWER DOOR LOCK SWITCH (UNLOCK) (PIN 5)	POWER DOOR UNLOCK RELAY (PIN 86)
RA 14 YEL	VEHICLE LEFT FRONT TURN SIGNAL CIRCUIT	LEFT FRONT TURN SIGNAL/MARKER LAMP
RB 14 YEL	VEHICLE RIGHT FRONT TURN SIGNAL CIRCUIT	RIGHT FRONT TURN SIGNAL/MARKER LAMP
RC 14 WHT	FRONT AUTOMOTIVE LAMPS(TURN, MARKER,ETC)	GROUND
RD 14 YEL	OVERCURRENT PROTECTION (15 A FUSE TYPICAL)	HAZARD FLASHER, HORN RELAY
RE 12 YEL	RADIATOR FAN RELAY#1 (COMMON)	RADIATOR FAN #1
RF 12 YEL	RADIATOR FAN RELAY #2 (COMMON)	RADIATOR FAN #2
RG 14 WHT	RADIATOR FAN THERMOSTAT SWITCH	RADIATOR FAN RELAYS (COILS, TRIGGER)
RH 12YEL(BLK)	OVERCURRENT PROTECTION (25A BREAKER TYPICAL)	RADIATOR FAN RELAY #1 (NORMALLY OPEN)
RJ 12YEL(BLK)	OVERCURRENT PROTECTION (25A BREAKER TYPICAL)	RADIATOR FAN RELAY #2 (NORMALLY OPEN)
RK 12 WHT	RADIATOR FAN #1	GROUND

WIRE IDENTIFICATION CHART		
CODE/COLOR	FROM:	TO:
RL 12 WHT	RADIATOR FAN #2	GROUND
RM 14 WHT	VEHICLE IGNITION SWITCH GROUND DURING START CIRCUIT	BULB CHECK(LOW TAG AIR,PARK BRAKE,ETC)
RN 14 YEL	AUTOMOTIVE AIR CONDITIONER THERMOSTAT CUTOFF SWITCH	AUTOMOTIVE AIR CONDITIONER COMPRESSOR CLUTCH
RP 14 YEL	AUTOMOTIVE AIR CONDITIONER COOLANT FAN CONTROL	COOLANT FAN RELAY
RR 14 YEL	BRAKE LAMP SWITCH	TURN SIGNAL SWITCH
RS 14 YEL	HEADLAMP SWITCH INSTRUMENT PANEL LAMP FEED SWITCH	OVERCURRENT PROTECTION (5A FUSE TYPICAL)
RT 14 YEL	HORN RELAY (COMMON)	HORN
RU 14 YEL	HORN RELAY (COIL)	HORN SWITCH
RW 14 YEL	HAZARD FLASHER	TURN SIGNAL SWITCH
RX 14 YEL	EUL WARNING LAMP	EUL MODULE
RY 14 WHT	INSTRUMENT CLUSTER/ EUL MODULE	GROUND
SA 14 YEL	ENGINE WATER TEMPERATURE SENDER	ENGINE WATER TEMPERATURE GAUGE
SB 14 YEL	ENGINE OIL PRESSURE SENDER	ENGINE OIL PRESSURE GAUGE
SC 14 YEL	VEHICLE RIGHT REAR TURN SIGNAL/BRAKE LAMP CIRCUIT	RIGHT REAR TURN SIGNAL/ BRAKE LAMPS
SD 14 YEL	VEHICLE LEFT REAR TURN SIGNAL/BRAKE LAMP CIRCUIT	LEFT REAR TURN SIGNAL/ BRAKE LAMPS
SE 16YEL(WHT)	SPEED SENSOR (TWISTED PAIR)	SPEEDOMETER AND SPEED CONTROL MODULE
SF 16WHT(BLK)	SPEED SENSOR (TWISTED PAIR)	SPEEDOMETER AND SPEED CONTROL MODULE
SG 14 YEL	IGNITION SWITCH START FEED	GENERAL(NEUTRAL SAFETY SWITCH, FUEL PUMP RELAY COIL,ETC)
SH 14 YEL	IGNITION SWITCH RUN/START FEED	GENERAL(IGNITION COIL RELAY NORMALLY OPEN CONTACT,ETC)

WIRE IDENTIFICATION CHART		
CODE/COLOR	FROM:	TO:
SJ 12YEL(BLK)	OVERCURRENT PROTECTION (16GA FUSELINK TYPICAL)	CHASSIS BATTERY FEED
SK 12YEL(WHT)	OVERCURRENT PROTECTION (16GA FUSELINK TYPICAL)	CHASSIS BATTERY HEADLAMP SWITCH FEED #1
SL 12YEL(BLU)	OVERCURRENT PROTECTION (16GA FUSELINK TYPICAL)	CHASSIS BATTERY IGNITION SWITCH FEED #1
SM 12YEL(BLK)	OVERCURRENT PROTECTION (16GA FUSELINK TYPICAL)	RADIATOR FAN #1 CIRCUIT BREAKER FEED
SN 12YEL(BLK)	OVERCURRENT PROTECTION (16GA FUSELINK TYPICAL)	RADIATOR FAN #2 CIRCUIT BREAKER FEED
SP 14 YEL	HEADLAMP SWITCH MARKER CIRCUIT FEED	OVERCURRENT PROTECTION (15A FUSE TYPICAL)
SR 12YEL(BRN)	IGNITION SWITCH RUN ONLY FEED	OVERCURRENT PROTECTION (15A FUSE TYPICAL)
SS 12YEL(WHT)	IGNITION SWITCH ACCESSORY FEED	OVERCURRENT PROTECTION (15A FUSE TYPICAL)
ST 14 YEL	OVERCURRENT PROTECTION (15A FUSE TYPICAL)	TURNS/BACK UP CIRCUIT FEED
SU	STARTER SOLENOID BATTERY TERMINAL	ALTERNATOR BATTERY TERMINAL
SW 14 YEL	TURN SIGNAL FLASHER	TURN SIGNAL SWITCH
SX 14 YEL	REAR WINDOW WASHER SWITCH	REAR WINDOW WASHER BOTTLE PUMP
SY 14 YEL	IGNITION COIL	TACHOMETER
TA 14 YEL	OVERCURRENT PROTECTION (15A FUSE TYPICAL)	IGNITION RUN ONLY GENERAL FEED (RADIATOR FAN RELAY COIL,ETC)
TB 12 YEL	OVERCURRENT PROTECTION (25A FUSE TYPICAL)	IGNITION RUN ONLY GENERAL FEED (AUTO AC BLOWER(NOT HIGH),ETC)
TC 14 YEL	OVERCURRENT PROTECTION (15A FUSE TYPICAL)	IGNITION RUN ONLY GENERAL FEED (DOOR LOCKS,REAR WIPER,ETC.)
TD 14 YEL	OVERCURRENT PROTECTION (15A FUSE TYPICAL)	CHASSIS BATTERY GENERAL FEED
TE 16 WHT	GENERATOR	GENERATOR LOW OIL INDICATOR LAMP
TF 16 YEL	GENERATOR	GENERATOR LOW OIL INDICATOR LAMP

WIRE IDENTIFICATION CHART		
CODE/COLOR	FROM:	TO:
TG 16 YEL	TELEVISION	SPEAKER RIGHT (POSITIVE)
TH 16 WHT	TELEVISION	SPEAKER RIGHT (NEGATIVE)
TJ 16 YEL	TELEVISION	SPEAKER LEFT (POSITIVE)
TK 16 WHT	TELEVISION	SPEAKER LEFT (NEGATIVE)
TL 16 YEL	FRONT RIGHT TV SPEAKER NEGATIVE,SERIES CONNECTION	FRONT LEFT TV SPEAKER POSITIVE,SERIES CONNECTION
TM 16 WHT	STEP COVER SWITCH	STEP COVER SOLENOID MOVES STEP OUT
TN 14 YEL	STARTER SOLENOID BATTERY TERMINAL	ALTERNATOR REGULATOR
TP 14 WHT	REAR AUTOMOTIVE LAMPS(TURN, MARKER,ETC)	GROUND
TR 14 YEL	VEHICLE BACK UP CIRCUIT FEED	BACK UP LAMPS
TS 14 YEL	STARTER SOLENOID (I TERMINAL)	ENGINE WIRING (IGNITION MODULE)
TT 14 YEL	NEUTRAL SAFETY SWITCH	STARTER SOLENOID (S TERMINAL)
TU 14 WHT	IGNITION COIL RELAY (COIL)	GROUND
TW 14 YEL	IGNITION SWITCH START/RUN FEED	IGNITION COIL
TX 14 YEL	IGNITION COIL RELAY (COMMON)	IGNITION COIL
TY 14 YEL	ALTERNATOR (T TERMINAL)	CHOKE HEATER
UA 14 YEL	FUEL PUMP FUSE	OIL PRESSURE CUTOUT SWITCH/ FUEL PUMP RELAY(NO),ETC
UB 14 YEL	INERTIA SWITCH (FUEL PUMP SHUTOFF)	FUEL PUMP RELAY (NORMALLY CLOSED)
UC 14 YEL	FUEL PUMP RELAY (COMMON)	FUEL PUMP
UD 16 WHT	FUEL GAUGE	FUEL SENDER

WIRE IDENTIFICATION CHART		
CODE/COLOR	FROM:	TO:
UE 14 YEL	INERTIA SWITCH (FUEL PUMP SHUTOFF)	OIL PRESSURE CUTOFF SWITCH
UF 14 WHT	FUEL PUMP	GROUND
UG 14 WHT	FUEL PUMP RELAY (COIL)	GROUND
UH 16 YEL	LP DETECTOR (SHUTOFF SYSTEM,YEL)	LP SAFETY VALVE
UJ 16 YEL	LP DETECTOR (SHUTOFF SYSTEM,YEL)	LP SAFETY SWITCH
UK 16 WHT	LP DETECTOR (BLK)(REF WB)	GROUND
UL 16 WHT	EUL LAMP	EUL MODULE
UM 16 WHT	DOOR JAMB DOME LAMP SWITCH	GROUND
UN 16 WHT	SEAT BELT LAMP	EUL MODULE
UP 16 YEL	SEAT BELT LAMP	SEAT BELT BUZZER
UR 16 WHT	PARK BRAKE SWITCH	PARK BRAKE LAMP
US 16 YEL	OVERCURRENT PROTECTION (6A BREAKER TYPICAL)	COACH BATTERY FEED TO BATTERY CONDITION SWITCH
UT 14 YEL	DOOR JAMB DOME LAMP SWITCH (SWITCH POSITIVE)	DOME LAMP
UU 16 YEL	WATER HEATER	VACUUM VALVE SOLENOID
UW 16 WHT	VACUUM VALVE SOLENOID	GROUND
UX 16 YEL	LP DETECTOR #2 (SHUTOFF SYSTEM,YEL)	LP SAFETY VALVE
UY 16 YEL	LP DETECTOR #2 (SHUTOFF SYSTEM,YEL)	LP SAFETY VALVE
WA 14 YEL	EXTERIOR SERVICE LAMP SWITCH	EXTERIOR SERVICE LAMP
WB 16 YEL	OVERCURRENT PROTECTION (6A BREAKER TYPICAL)	LP DETECTOR (REF UK)

WIRE IDENTIFICATION CHART		
CODE/COLOR	FROM:	TO:
WC 14 YEL	DDVRCURRENT PROTECTION (15A BREAKER TYPICAL)	COMPARTMENT LAMPS (REF WE)
WD 14 WHT	AISLE LAMPS	GROUND
WE 14 WHT	COMPARTMENT LAMPS (REF WC)	GROUND
WF 12YEL(WHT)	OVERCURRENT PROTECTION (30A BREAKER TYPICAL)	PARK BRAKE COMPRESSOR SOENOID
WG 12YEL(BLK)	OVERCURRENT PROTECTION (30A BREAKER TYPICAL)	IGNITION RELAY
WH 14 YEL	OVERCURRENT PROTECTION (15A BREAKER TYPICAL)	IGNITION SWITCH RUN ONLY FEED
WJ 12 YEL	OVERCURRENT PROTECTION (20A BREAKER TYPICAL)	IGNITION SWITCH ACCESSORY FEED RELAY
WK 14 YEL	OVERCURRENT PROTECTION (15A BREAKER TYPICAL)	IGNITION SWITCH ACCESSORY FEED
WL 14 YEL	POWER DOOR LOCK RELAY (PIN 30)	POWER DOOR LOCK MOTOR(S) (LOCK)
WM 14 WHT	POWER DOOR UNLOCK RELAY (PIN 30)	POWER DOOR LOCK MOTOR(S) (UNLOCK)
WN 16 YEL	RADIO POWER SWITCH (ACCESSORY POWER)	DASH RADIO (ACCESSORY POWER)
WP 10 YEL	OVERCURRENT PROTECTION (25A BREAKER TYPICAL)	FRONT PANEL LOADS(INVERTER, RADIO)(96 M-SERIES)
WR 14 YEL	OVERCURRENT PROTENTION (15A BREAKER TYPICAL)	POWER SEAT LIFT SWITCH
WS 14 WHT	POWER SEAT LIFT SWITCH	GROUND
WT 14 YEL	POWER SEAT LIFT SWITCH (UP)	MOTOR (POSITIVE UP)
WU 14 WHT	POWER SEAT LIFT SWITCH (DOWN)	MOTOR (POSITIVE DOWN)
WW 14 WHT	SPOT LAMP SWITCH	GROUND
WX 14 YEL	HALLWAY CEILING LAMP SWITCH	HALLWAY CEILING LAMP
WY 10 WHT	AUTOMOTIVE AIR CONDITIONER MOTOR	GROUND

WIRE IDENTIFICATION CHART		
CODE/COLOR	FROM:	TO:
XA 12/10 YEL	VEHICLE AUTOMOTIVE AIR FEED CIRCUIT	AUTOMOTIVE AIR CONDITIONER BLOWER (USE 10 IF OVER 6')
XB 14 YEL	DRIVER'S DOOR POWER WINDOW SWITCH(PIN 5)	DRIVER'S DOOR POWER WINDOW MOTOR(POSITIVE UP)
XC 14 WHT	DRIVER'S DOOR POWER WINDOW SWITCH(PIN 1)	DRIVER'S DOOR POWER WINDOW MOTOR(POSITIVE DOWN)
XD 16 WHT	MONITOR PANEL	HOLDING TANK LEVEL SENSOR (FULL)
XE 16 WHT	MONITOR PANEL	HOLDING TANK LEVEL SENSOR (3/4)
XF 16 WHT	MONITOR PANEL	HOLDING TANK LEVEL SENSOR (1/2)
XG 16 WHT	MONITOR PANEL	HOLDING TANK LEVEL SENSOR (1/4)
XH 16 YEL	MONITOR PANEL	WATER TANK LEVEL SENSOR
XJ 16 YEL	MONITOR PANEL	BLACK HOLDING LEVEL SENSOR (MAIN TANK)
XK 16 YEL	MONITOR PANEL	GRAY AUXILIARY HOLDING TANK #1 LEVEL SENSOR (AUX TANK #1)
XL 16 YEL	MONITOR PANEL	GRAY AUXILIARY HOLDING TANK #2 LEVEL SENSOR (AUX TANK #2)
XM 14 YEL	OVERCURRENT PROTECTION (18GA FUSELINK TYPICAL)	IGNITION START RELAY
XN 16 YEL	FRONT ROOF AIR CONDITIONER (EXHAUST)	THERMOSTAT (EX TERMINAL)
XP 16 YEL	FRONT ROOF AIR CONDITIONER (COOL)	THERMOSTAT (Y TERMINAL)(Y EXPORT AIR)
XR 16 YEL	FRONT ROOF AIR CONDITIONER (HIGH SPEED BLOWER)	THERMOSTAT (GH TERMINAL)(H EXPORT AIR)
XS 16 YEL	FRONT ROOF AIR CONDITIONER (LOW SPEED BLOWER)	THERMOSTAT (GL TERMINAL)(G EXPORT AIR)
XT 14 YEL	IGNITION START RELAY #1 (NORMALLY CLOSED CONTACT)	IGNITION START RELAY #2 (COMMON CONTACT)
XU 14 YEL	DINETTE OVHD LAMP SWITCH	DINETTE OVHD LAMP
XW 14 WHT	IGNITION SWITCH ACCESSORY FEED RELAY CIRCUIT	GROUND

WIRE IDENTIFICATION CHART		
CODE/COLOR	FROM:	TO:
XX 14 YEL	GALLEY LAMP SWITCH	GALLEY LAMP
XY 14 YEL	MAKE UP LAMP #2 SWITCH	MAKE UP LAMP #2
YA 14 YEL	TAG AXLE PRESSURE CONTROL SWITCH	COMPRESSOR SOLENOID/ SOLENOID AIR VALVE
YB 14 WHT	LOW AIR PRESSURE SWITCH	GROUND
YC 10YEL(BLU)	OVERCURRENT PROTECTION (30A BREAKER TYPICAL)	TAG AXLE COMPRESSOR SOLENOID
YD 14 WHT	TAG AXLE MOUNTING PLATE SCREW	GROUND
YE 10 WHT	TAG AXLE COMPRESSOR	GROUND
YF 12 WHT	TAG AXLE BRAKE CONTROL MODULE/BRAKE MAGNET	GROUND
YG 12YEL(BLK)	OVERCURRENT PROTECTION (20A BREAKER TYPICAL)	TAG AXLE BRAKE CONTROL MODULE
YH 12YEL(BLU)	TAG AXLE BRAKE CONTROL MODULE	TAG AXLE BRAKE MAGNET
YJ 10YEL(WHT)	TAG AXLE COMPRESSOR SOLENOID	TAG AXLE COMPRESSOR
YK 14 YEL	BEDROOM CEILING LAMP SWITCH#1 (2 SWITCH SYSTEM)	BEDROOM CEILING LAMP SWITCH #2 (2 SWITCH SYSTEM)
YL 14 YEL	BEDROOM CEILING LAMP SWITCH #1 (2 SWITCH SYSTEM)	BEDROOM CEILING LAMP SWITCH #2 (2 SWITCH SYSTEM)
YM 14 YEL	HALLWAY CEILING LAMP SWITCH #1 (2 SWITCH SYSTEM)	HALLWAY CEILING LAMP SWITCH #2 (2 SWITCH SYSTEM)
YN 14 YEL	HALLWAY CEILING LAMP SWITCH #1 (2 SWITCH SYSTEM)	HALLWAY CEILING LAMP SWITCH #2 (2 SWITCH SYSTEM)
YP 14 YEL	VALANCE LAMP SWITCH #1 (3 WAY SWITCH)	VALANCE LAMP SWITCH #2 (3 WAY SWITCH)
YR 14 YEL	VALANCE LAMP SWITCH #1 (3 WAY SWITCH)	VALANCE LAMP SWITCH #2 (3 WAY SWITCH)
YS 14 YEL	VALANCE LAMP SWITCH	VALANCE LAMP
YT 14 YEL	FRONT VALANCE LAMP SWITCH	FRONT VALANCE LAMP

WIRE IDENTIFICATION CHART		
CODE/COLOR	FROM:	TO:
YU 14 YEL	REAR VALANCE LAMP SWITCH	REAR VALANCE LAMP
YW 14 WHT	DOOR BELL SWITCH	DOOR BELL
YX 14 YEL	IGNITION SWITCH RUN/START FEED	ALTERNATOR WARNING LAMP
YY 14 YEL	ALTERNATOR VOLTAGE REGULATOR	ALTERNATOR WARNING LAMP
AAA 16 WHT	STEP COVER SWITCH (REF GX)	STEP COVER SOLENOID MOVES STEP IN
AAB 14 YEL	DINETTE READING LAMPS	DINETTE READING LAMP SWITCH
AAC 14 YEL	LOUNGE READING LAMPS	LOUNGE READING LAMP SWITCH
AAD 14 YEL	FORD CHASSIS TRAILER MARKER LAMP CIRCUIT (BR/WHT)	TRAILER CONNECTOR SOCKET MARKER LAMPS
AAE 14 YEL	FORD CHASSIS TRAILER BACKUP LAMP CIRCUIT (BLK/LT GRN)	TRAILER CONNECTOR SOCKET BACKUP LAMPS
AAF 14 YEL	FORD CHASSIS TRAILER LEFT TURN/BRAKE LAMP CIRCUIT (YEL)	TRAILER CONNECTOR SOCKET LEFT TURN/BRAKE LAMP
AAG 14 YEL	FORD CHASSIS TRAILER RIGHT TURN/BRAKE LAMP CIRCUIT (DKG)	TRAILER CONNECTOR SOCKET RIGHT TURN/BRAKE LAMP
AAH 14 YEL	BATH-VENT, POWER	BATH-VENT, THERMOSTAT
AAJ 14 YEL	BATH-VENT, POWER	BATH-VENT, THERMOSTAT
AAK 16 WHT	SWITCH-WATER PUMP (MULTIPLEX SYSTEM)	LATCHING RELAY (WITH 4 OR MORE SWITCHES)
AAL 16 WHT	SWITCH-WATER PUMP (MULTIPLEX SYSTEM)	GROUND
AAM 14 YEL	CHASSIS SUPPLIED WIRE ASM (DARK BLUE) (GM)	RIGHT TAIL LAMP PARK (WIE)
AAN 14 YEL	CHASSIS SUPPLIED WIRE ASM (PURPLE) (GM)	LEFT TAIL LAMP PARK (WIE)
AAP 10 YEL	55 AMP BREAKER JUMPER WIRE	30 AMP BREAKER
AAR 14 YEL	TV/RADIO SPEAKER FEED SELECTOR SWITCH	TV SPEAKER AMPLIFIER

WIRE IDENTIFICATION CHART		
CODE/COLOR	FROM:	TO:
AAS 16 YEL	SPEAKER (NEGATIVE) SPEAKERS IN SERIES	SPEAKER (POSITIVE)
AAT 16 YEL	AMPLIFIER POSITIVE OUT (AAU NEGATIVE)	FRONT WOOFER (WITH DELUXE SOUND SYSTEM)
AAU 16 WHT	AMPLIFIER NEGATIVE OUT (AAT POSITIVE)	FRONT WOOFER (WITH DELUXE SOUND SYSTEM)
AAW 16 YEL	AMPLIFIER POSITIVE OUT (AAX NEGATIVE)	REAR WOOFER (WITH DELUXE SOUND SYSTEM)
AAX 16 WHT	AMPLIFIER NEGATIVE OUT (AAW POSITIVE)	REAR WOOFER (WITH DELUXE SOUND SYSTEM)
AAZ 12 YEL	SLIDEOUT ROOM CONTROL SWITCH (RAM #1)	SLIDEOUT DRIVE MOTOR LEAD #1
AAZ 12 YEL	SLIDEOUT ROOM CONTROL SWITCH (RAM #1)	SLIDEOUT DRIVE MOTOR LEAD #2
BBA 16 WHT	SLIDEOUT WIRING (PARK BRAKE SW) (SWITCHED GRD)	SLIDEOUT ROOM RELAY (GROUND TERMINAL)
BBB 16 YEL	SLIDEOUT ROOM CIRCUIT BREAKER (6 AMP)	SLIDEOUT ROOM RELAY (PIN 86 & 87)
BBC 16 YEL	LOAD SHEDDER MONITOR PANEL (RED WIRE)	LOAD SHEDDER CONTROL BOARD (RED WIRE)
BBD 16 YEL	LOAD SHEDDER MONITOR PANEL (BLUE WIRE)	LOAD SHEDDER CONTROL BOARD (BLUE WIRE)
BBE 16 YEL	LOAD SHEDDER MONITOR PANEL (BLACK WIRE)	LOAD SHEDDER CONTROL BOARD (BLACK WIRE)
BBF 16 YEL	LOAD SHEDDER MONITOR PANEL (GRAY WIRE)	LOAD SHEDDER CONTROL BOARD (GRAY WIRE)
BBG 14 YEL	DINETTE CEILING LAMP SWITCH	DINETTE CEILING LAMP
BBH 16 YEL	REAR COMPRESSOR SIGNAL REAR THERMOSTAT	LOAD SHEDDER CONTROL BOARD
BBJ 16 YEL	LOAD SHEDDER CONTROL BOARD	REAR A/C (COOL)
BBK 12 WHT	JET AIR/TAG AXLE WIRING	GROUND, CHASSIS
BBL 14 YEL	OVHD SWITCH	OVHD HALOGEN LAMPS
BBM 16 YEL	SLIDEOUT ROOM SWITCH (ROOM TWO EXTEND)	HWH WIRING (ROOM TWO EXTEND)

WIRE IDENTIFICATION CHART		
CODE/COLOR	FROM:	TO:
BBN 16 YEL	SLIDEOUT ROOM SWITCH (ROOM TWO RETRACT)	HWH WIRING (ROOM TWO RETRACT)
BBP 14 YEL	ICC COURTESY BLINK SWITCH	ICC COURTESY BLINK RELAY
BBR 14 YEL	ICC COURTESY BLINK RELAY	CLEARANCE LAMPS
BBS 14 YEL	CHASSIS FUSE PANEL	ICC COURTESY BLINK RELAY
BBT 14 YEL	DOCKING LAMP SWITCH TRIGGER RELAY	DOCKING LAMP SWITCH
BBU 12 YEL	DOCKING LAMP CIRCUIT BREAKER	DOCKING LAMP RELAY
BBW 14 YEL	VEHICLE LEFT HEADLAMP LOW BEAM CIRCUIT	LEFT LOW BEAM LAMP
BBX 14 YEL	VEHICLE RIGHT HEADLAMP LOW BEAM CIRCUIT	RIGHT LOW BEAM LAMP
BBY 14 YEL	SWITCH-MONITOR PANEL (IN EXT. WATER CENTER)	EXTERIOR MONITOR PANEL (IN EXT. WATER CENTER)
BBZ 14 YEL	OVERCURRENT PROTECTION (15A FUSE/BREAKER TYPICAL)	AUXILIARY FURNACE (CCA)
CCA 14 WHT	AUXILIARY FURNACE	GROUND
CCB 16 YEL	EXTERIOR MONITOR PANEL	WATER TANK LEVEL SENSOR
CCC 16 YEL	EXTERIOR MONITOR PANEL	MAIN HOLDING TANK LEVEL SENSOR
CCD 16 YEL	EXTERIOR MONITOR PANEL	AUX HOLDING TANK LEVEL SENSOR
CCE 14 YEL	COMPARTMENT LAMP SWITCH	COMPARTMENT LAMP
CCF 14 YEL	COMPARTMENT LAMP SWITCH	COMPARTMENT LAMP
CCG 14 YEL	COMPARTMENT LAMP SWITCH	COMPARTMENT LAMP
CCH 14 YEL	COMPARTMENT LAMP SWITCH	COMPARTMENT LAMP
CCJ 14 YEL	COMPARTMENT LAMP SWITCH	COMPARTMENT LAMP

WIRE IDENTIFICATION CHART		
CODE/COLOR	FROM:	TO:
CCK 14 YEL	COMPARTMENT LAMP SWITCH	COMPARTMENT LAMP
CCL 14 YEL	COMPARTMENT LAMP SWITCH	COMPARTMENT LAMP
CCM 14 YEL	COMPARTMENT LAMP SWITCH	COMPARTMENT LAMP
CCN 16 YEL	THERMOSTATE LOW SPEED FAN SIGNAL	CENTRAL AIR AND LOAD SHEDDER
CCP 16 YEL	LOAD SHEDDER COMPRESSOR TWO CONTROL RELAY	CENTRAL A/C COMPRESSOR TWO
CCR 14 YEL	SWITCH-MONITOR PANEL (IN EXT. WATER CENTER)	EXTERIOR MONITOR PANEL (IN EXT. WATER CENTER)
CCS 16 YEL	NOISE FILTER	RADIO POWER INPUT
CCT 16 YEL	REAR RIGHT TV SPEAKER NEGATIVE,SERIES CONNECTION	REAR LEFT TV SPEAKER POSITIVE,SERIES CONNECTION
CCU 16 YEL	GM DOME LAMP POWER	DOME LAMP
CCW 12 YEL	DUAL MODE SOLENOID (CHASSIS SIDE)	FUSE HOLDER (30 AMP)
CCX 16 YEL	ORG WIRE ON AIR COMPRESSOR	AIR PRESSURE SWITCH ON AIR TANK
CCY 16 YEL	HWH WIRING (BATTERY POWER)	SLIDEOUT ROOM SWITCH (POSITIVE)
CCZ 16 YEL	HWH WIRING (SWITCHED BATTERY POWER)	SLIDEOUT ROOM #1 SWITCH (POSITIVE)
DDA 16 YEL	HWH WIRING (PUMP RELAY CONTROL)	SLIDEOUT ROOM SWITCH (POSITIVE)
ddb 14 YEL	REAR AUTO HEATER CIRCUIT BREAKER	REAR AUTO HEATER RELAY (POWER)
DDC 14 YEL	REAR AUTO HEATER RELAY (SWITCHED POWER)	REAR AUTO HEATER SWITCH (COMMON TERMINAL)
DDD 14 YEL	MODULE-CHARGE CONTROL RELAY OUTPUT	AUX-START SOLENOID RELAY
DDE 14 YEL	AUX-START SOLENOID RELAY	AUX-START SOLENOID
DDF 10 YEL	HEATER BLOWER CIRCUIT BREAKER	HEATER BLOWER RELAY

WIRE IDENTIFICATION CHART		
CODE/COLOR	FROM:	TO:
DDG 10 YEL	CIRCUIT BREAKER BUSS BAR	CHASSIS BATTERY FEED CIRCUIT BREAKER
DDH 14 YEL	FREIGHTLINER RUN ONLY TRIGGER CIRCUIT	HEATER BLOWER RELAY
DDJ 16 WHT	CHASSIS PARKING BRAKE TRIGGER CIRCUIT	LEVELING SYSTEM PARKING BRAKE SENSOR WIRE
DDK 16 YEL	HWH WIRING (PUMP RELAY CONTROL)	REAR SLIDEOUT ROOM SWITCH (POSITIVE)
DDL 14 WHT	FRONT LEFT AUTOMOTIVE LAMPS	GROUND
DDM 14 WHT	FRONT RIGHT AUTOMOTIVE LAMPS	GROUND
DDN 16 YEL	TIMER MODULE	CHECK ANTENNA LIGHT
DDP 12 YEL	OVERCURRENT PROTECTION (20A BREAKER TYPICAL)	INVERTER FEED (INVERTER NUMBER 2)
DDR 12 WHT	INVERTER (INVERTER NUMBER 2)	GROUND
DDS 12 WHT	INVERTER CHASSIS (INVERTER NUMBER 2)	GROUND
DDT 12 YEL	POWER COMPT DOOR LOCK RELAY (RIGHT SIDE)	POWER COMPT DOOR LOCK MOTOR(S) (RIGHT SIDE)
DDU 12 WHT	POWER COMPT DOOR UNLOCK RELAY (RIGHT SIDE)	POWER COMPT LOCK MOTOR(S) (UNLOCK) (RIGHT SIDE)
DDV 12 YEL	POWER COMPT DOOR LOCK RELAY (LEFT SIDE)	POWER COMPT LOCK MOTOR(S) (LOCK) (LEFT SIDE)
DDW 12 WHT	POWER COMPT DOOR UNLOCK RELAY (LEFT SIDE)	POWER COMPT LOCK MOTOR(S) (UNLOCK) (LEFT SIDE)
DDX 12 YEL	OVERCURRENT PROTECTION (20A BREAKER TYPICAL)	POWER COMPT DOOR LOCK/ UNLOCK RELAY (RIGHT SIDE)
DDY 12 YEL	OVERCURRENT PROTECTION (20A BREAKER TYPICAL)	POWER COMPT DOOR LOCK/ UNLOCK RELAY (LEFT SIDE)
DDZ 12 YEL	POWER COMPT DOOR LOCK SWITCH (LOCK) (PIN 1)	POWER COMPT DOOR LOCK RELAY (PIN 86)
EEA 12 WHT	POWER COMPT DOOR LOCK SWITCH (UNLOCK) (PIN 5)	POWER COMPT DOOR UNLOCK RELAY (PIN 86)
EEB 12 WHT	POWER COMPT DOOR LOCK RELAYS (LEFT SIDE)	GROUND

WIRE IDENTIFICATION CHART		
CODE/COLOR	FROM:	TO:
EEC 12 YEL	25 AMP BREAKER IN 12 VOLT PANEL	SOFA RECLINER SWITCH SOFA 4-WAY RECLINER
EED 12 WHT	SOFA RECLINER SWITCH SOFA 4-WAY RECLINER	GROUND
EEE 14 YEL	OVERCURRENT PROTECTION (15A BREAKER TYPICAL)	12V POWER JACK
EEF 14 WHT	12V POWER JACK	GROUND
EEG 12 WHT	POWER COMPT DOOR LOCK RELAYS (RIGHT SIDE)	GROUND
EEH 12 YEL	SOFA RECLINER SWITCH EXTEND	SOFA RECLINER MOTOR SOFA 4-WAY
EEJ 12 YEL	SOFA RECLINER SWITCH RETRACT	SOFA RECLINER MOTOR SOFA 4-WAY
EEK 18 YEL	AUDIO AMPLIFIER	LH FRT SPKR (+)
EEL 18 WHT	AUDIO AMPLIFIER	LH FRT SPKR (-)
EEM 18 YEL	AUDIO AMPLIFIER	RH FRT SPKR (+)
EEN 18 WHT	AUDIO AMPLIFIER	RH FRT SPKR (-)
EEP 18 YEL	AUDIO AMPLIFIER	LH RR SPKR (+)
EER 18 WHT	AUDIO AMPLIFIER	LH RR SPKR (-)
EES 18 YEL	AUDIO AMPLIFIER	RH RR SPKR (+)
EET 18 WHT	AUDIO AMPLIFIER	RH RR SPKR (-)
EEU 18 YEL	AUDIO AMPLIFIER	CTR CHANNEL SPKR (+)
EEW 18 WHT	AUDIO AMPLIFIER	CTR CHANNEL SPKR (-)
EEY 12/10 YEL	PASSENGER AUTO A/C FEED CIRCUIT	PASSENGER AUTO A/C BLOWER (USE 10 IF OVER 6')
EEZ 10 WHT	PASSENGER AUTO A/C MOTOR	GROUND

WIRE IDENTIFICATION CHART		
CODE/COLOR	FROM:	TO:
EEZ 12/10 YEL	OVERCURRENT PROTECTION (30A BREAKER TYPICAL)	PASSENGER HI-SPEED HEATER FAN (USER 10 IF OVER 6')
FFA 10 YEL	PASSENGER HEATER BLOWER CIRCUIT BREAKER	PASSENGER HEATER BLOWER RELAY
FFB 10 YEL	OVERCURRENT PROTECTION (30A BREAKER TYPICAL)	POWER LOUNGE CHAIR
FFC 10 WHT	POWER LOUNGE CHAIR	GROUND
FFD 12 YEL	OVERCURRENT PROTECTION (30A BREAKER TYPICAL)	AWNING CONTROL BOX (12V POSITIVE)
FFE 12 WHT	AWNING CONTROL BOX	GROUND
FFF 12 YEL	AWNING CONTROL BOX	DOOR AWNING (MOTOR POSITIVE)
FFG 12 WHT	DOOR AWNING (MOTOR GROUND)	AWNING CONTROL BOX
FFH 12 YEL	AWNING CONTROL BOX	PATIO AWNING (MOTOR POSITIVE)
FFJ 12 WHT	PATIO AWNING (MOTOR GROUND)	AWNING CONTROL BOX
FFK 16 YEL	AWNING CONTROL BOX	DOOR AWNING SWITCH (EXTEND)
FFL 16 YEL	DOOR AWNING SWITCH (COMMON)	AWNING CONTROL BOX
FFM 16 YEL	AWNING CONTROL BOX	DOOR AWNING SWITCH (RETRACT)
FFN 16 YEL	AWNING CONTROL BOX	PATIO AWNING SWITCH (EXTEND)
FFP 16 YEL	PATIO AWNING SWITCH (COMMON)	AWNING CONTROL BOX
FFR 16 YEL	AWNING CONTROL BOX	PATIO AWNING SWITCH (RETRACT)
FFS 14 WHT	RELAY (PIN 30)	AWNING CONTROL BOX
FFT 14 WHT	PATIO AWNING SWITCH	AWNING CONTROL BOX
FFU 16 YEL	AWNING SELECTOR SWITCH (DOOR AWNING)	AWNING CONTROL SWITCH (DOOR AWNING)

WIRE IDENTIFICATION CHART		
CODE/COLOR	FROM:	TO:
FFV 16 YEL	AWNING SELECTOR SWITCH (PATIO AWNING)	AWNING CONTROL SWITCH (PATIO AWNING)
FFW 14 YEL	LOUNGE LAMPS SWITCH #1	LOUNGE LAMPS SWITCH #2
FFX 14 YEL	LOUNGE LAMPS SWITCH #1	LOUNGE LAMPS SWITCH #2
FFY 14 YEL	CEILING FAN SWITCH	CEILING FAN
FFZ 14 YEL	OVERCURRENT PROTECTION (15A FUSE/BREAKER TYPICAL)	COACH LIGHTING, ETC CIRCUIT #7 (REF GGA)
GGA 14 WHT	COACH LIGHTING (REF-FFZ)	GROUND
GGB 14 YEL	POWER LIFT VENT	POWER LIFT SWITCH (UP)
GGC 14 YEL	POWER LIFT VENT	POWER LIFT SWITCH (DOWN)
GGD 16 YEL	CONTROL MODULE (LEFT FRONT SLIDE) (STOP)	SLIDEOUT SWITCH (LEFT FRONT SLIDE)
GGE 16 YEL	CONTROL MODULE (LEFT FRONT SLIDE) (GREEN LED)	SLIDEOUT SWITCH (LEFT FRONT SLIDE)
GGF 16 YEL	CONTROL MODULE (LEFT FRONT SLIDE) (RED LED)	SLIDEOUT SWITCH (LEFT FRONT SLIDE)
GGG 16 YEL	CONTROL MODULE (LEFT FRONT SLIDE) (SIGNAL)	LEFT FRONT SLIDE, FRONT RAM (ENCODER)
GGH 16 YEL	CONTROL MODULE (LEFT FRONT SLIDE) (+)	LEFT FRONT SLIDE, FRONT RAM (ENCODER)
GGJ 16 WHT	CONTROL MODULE (LEFT FRONT SLIDE) (-)	LEFT FRONT SLIDE, FRONT RAM (ENCODER)
GGK 16 YEL	CONTROL MODULE (LEFT FRONT SLIDE) (SIGNAL)	LEFT FRONT SLIDE, REAR RAM (ENCODER)
GGL 16 YEL	CONTROL MODULE (LEFT FRONT SLIDE) (+)	LEFT FRONT SLIDE, REAR RAM (ENCODER)
GGM 16 WHT	CONTROL MODULE (LEFT FRONT SLIDE) (-)	LEFT FRONT SLIDE, REAR RAM (ENCODER)
GGN 12 YEL	CONTROL MODULE (RAM #2)	SLIDEOUT ACTUATOR DRIVE LEAD #1
GGP 12 YEL	CONTROL MODULE (RAM #2)	SLIDEOUT ACTUATOR DRIVE LEAD #2

WIRE IDENTIFICATION CHART		
CODE/COLOR	FROM:	TO:
GGR 16 YEL	FRONT ROOF HEAT PUMP	THERMOSTAT (W TERMINAL)
GGS 16 YEL	REAR ROOF HEAT PUMP	THERMOSTAT (W TERMINAL)
GGT 12 YEL	SOFA RECLINER SWITCH EXTEND	SOFA RECLINER MOTOR SOFA 4-WAY
GGU 12 YEL	SOFA RECLINER SWITCH RETRACT	SOFA RECLINER MOTOR SOFA 4-WAY
GGV 14 WHT	GPS (BLACK WIRE)	GROUND
GGW 16 YEL	GPS (GREEN/WHITE WIRE)	VEHICLE SPEED SENSOR (CHASSIS SUPPLIED)
GGX 14 YEL	10 OHM RESISTOR *	BEDROOM CEILING FAN (LOW SPEED)
GGY 14 YEL	BATHROOM VENT SWITCH	BATHROOM VENT
GGZ 14 YEL	BEDROOM VENT SWITCH	BEDROOM VENT
HHA 14 YEL	OVERCURRENT PROTECTION (15A FUSE/BREAKER TYPICAL)	COACH VENTS/LAMPS (REF HHB)
HHB 14 WHT	COACH VENTS/LAMPS (REF HHA)	GROUND
HHC 12 YEL	STEP COVER SWITCH	STEP COVER MOTOR (+)RETRACT, (-)EXTEND
HHD 12 YEL	STEP COVER SWITCH	STEP COVER MOTOR (-)EXTEND, (+)RETRACT
HHE 16 YEL	SLIDEOUT ROOM SWITCH (ROOM THREE EXTEND)	HWH WIRING (ROOM THREE EXTEND)
HHF 16 YEL	SLIDEOUT ROOM SWITCH (ROOM THREE RETRACT)	HWH WIRING (ROOM THREE RETRACT)
HHG 16 YEL	SLIDEOUT ROOM SWITCH (ROOM FOUR EXTEND)	HWH WIRING (ROOM FOUR EXTEND)
HHH 16 YEL	SLIDEOUT ROOM SWITCH (ROOM FOUR RETRACT)	SLIDEOUT ROOM SWITCH (ROOM FOUR RETRACT)
HHJ 14 YEL	110V WATER HEATER TRIGGER SWITCH	WATER HEATER RELAY
HHK 14 YEL	DRIVER'S POWER SUNVISOR SWITCH	DRIVER'S POWER SUNVISOR

WIRE IDENTIFICATION CHART		
CODE/COLOR	FROM:	TO:
HHL 14 YEL	DRIVER'S POWER SUNVISOR SWITCH	DRIVER'S POWER SUNVISOR
HHM 14 YEL	PASS POWER SUNVISOR SWITCH	PASS POWER SUNVISOR
HHN 14 YEL	PASS POWER SUNVISOR SWITCH	PASS POWER SUNVISOR
HHP 14 YEL	HOT WATER HEAT CONTROL BOARD (F1)	ZONE 1 FAN SPEED SWITCH
HHR 14 YEL	ZONE 1 FAN SPEED SWITCH	ZONE 1 HEATER FAN
HHS 16 YEL	HOT WATER HEAT CONTROL BOARD (TC)	ZONE 2 & 3 THERMOSTAT
HHT 16 YEL	HOT WATER HEAT CONTROL BOARD (T2)	ZONE 2 THERMOSTAT
HHU 14 YEL	HOT WATER HEAT CONTROL BOARD (F2)	ZONE 2 FAN SPEED SWITCH
HHV 14 YEL	ZONE 2 FAN SPEED SWITCH	ZONE 2 HEATER FAN
HHW 16 YEL	HOT WATER HEAT CONTROL BOARD (T3)	ZONE 3 THERMOSTAT
HHX 14 YEL	HOT WATER HEAT CONTROL BOARD (F3)	ZONE 3 HEATER FAN
HHY 16 WHT	AWNING CONTROL BOX	WIND SENSOR (NEGATIVE)
HHZ 16 YEL	AWNING CONTROL BOX	WIND SENSOR (POSITIVE)
JJA 16 YEL	AWNING CONTROL BOX	WIND SENSOR TEMPERATURE OUTPUT
JJB 16 YEL	AWNING CONTROL BOX	WIND SENSOR SPEED OUTPUT
JJC 14 YEL	ENGINE HEATER CIRCULATING PUMP SWITCH	HOT WATER HEAT CONTROL PANEL (BLU/BLK WIRE)
JJD 10 YEL	OVERCURRENT PROTECTION (25 FUSE TYPICAL)	HOT WATER HEAT CONTROL BOARD
JJE 10 WHT	HOT WATER HEAT CONTROL BOARD	GROUND
JJF 14 YEL	SATELLITE POWER SWITCH	SATELLITE-AUTO SEEK

WIRE IDENTIFICATION CHART		
CODE/COLOR	FROM:	TO:
JJG 12 YEL	OVERCURRENT PROTECTION (20 AMP BREAKER TYPICAL)	SLIDEOUT ROOM CONTROL SWITCH (RAM #3)
JJH 12 WHT	SLIDEOUT ROOM CONTROL SWITCH (RAM #3)	GROUND
JJJ 12 YEL	SLIDEOUT ROOM CONTROL SWITCH (RAM #3)	SLIDEOUT DRIVE MOTOR LEAD #1
JJK 12 YEL	SLIDEOUT ROOM CONTROL SWITCH (RAM #3)	SLIDEOUT DRIVE MOTOR LEAD #2
JJL 12 YEL	OVERCURRENT PROTECTION (20 AMP BREAKER TYPICAL)	SLIDEOUT ROOM CONTROL SWITCH (RAM #2)
JJM 16 YEL	HWH WIRING (SWITCHED BATTERY POWER)	SLIDEOUT ROOM SWITCH #2 (SWITCHED EXTEND/RETRACT PWR)
JJN 16 YEL	HWH WIRING (SWITCHED BATTERY POWER)	SLIDEOUT ROOM SWITCH #3 (SWITCHED EXTEND/RETRACT PWR)
JJP 16 YEL	HWH WIRING (SWITCHED BATTERY POWER)	SLIDEOUT ROOM SWITCH #4 (SWITCHED EXTEND/RETRACT PWR)
JJR 16 YEL	REMOTE SWITCH (EXTEND)	PATIO AWNING CONTROL MODULE (RELAY POSITION 87A, EXTEND)
JJS 12 YEL	REMOTE SWITCH	DOOR AWNING CONTROL RELAY (RELAY POSITION 87A, EXTEND)
JJT 14 YEL	OVERCURRENT PROTECTION (15A FUSE/BREAKER TYPICAL)	COACH 12V RECEPTACLES (REF JJU)
JJU 14 WHT	COACH 12V RECEPTACLES (REF JJT)	GROUND
JJV 14 YEL	MONITOR PANEL LAMP SWITCH	MONITOR PANEL LAMP
JJW 14 YEL	RUN ONLY POWER BREAKER	RUN ONLY POWER RELAY
JJX 14 YEL	RUN ONLY POWER RELAY	GENERAL PURPOSE (RUN ONLY FEED)
JJY 14 YEL	RUN/ACC POWER #1 BREAKER	RUN/ACC POWER #1 RELAY
JJZ 14 YEL	RUN/ACC POWER #1 RELAY (REF LLD)	GENERAL PURPOSE (RUN/ACC FEED #1)
KKA 14 YEL	RUN/ACC POWER #2 BREAKER	RUN/ACC POWER #2 RELAY
KKB 14 YEL	RUN/ACC POWER #2 RELAY (REF LLE)	GENERAL PURPOSE (RUN/ACC FEED #2)

WIRE IDENTIFICATION CHART		
CODE/COLOR	FROM:	TO:
KKC 12 YEL	POWER SEAT RELAY	POWER SEAT (HEATER)
KKD 16 YEL	CONFIRMATION EMERGENCY SHUT OFF SWITCH (IN COACH)	EMERGENCY SHUT OFF SWITCH (ON REMOTE FILL BRACKET)
KKE 16 YEL	EMERGENCY SHUT OFF SWITCH (ON REMOTE FILL BRACKET)	EMERGENCY SHUT OFF SOLENOID (ON LP TANK)
KKF 6 BLK	BATTERY DISCONNECT RELAY	COACH BUSS BAR
KKG 8 BLK	BATTERY MODE SOLENOID	CHASSIS BUSS BAR
KKH 14 YEL	EXTERIOR SERVICE LAMP SWITCH #1	EXTERIOR SERVICE LAMP SWITCH #2
KKJ 14 YEL	EXTERIOR SERVICE LAMP SWITCH #1	EXTERIOR SERVICE LAMP SWITCH #2
KKK 16 YEL	HWH WIRING (SWITCHED BATTERY POWER)	SLIDEOUT ROOM #2 SWITCH (POSITIVE)
KKL 16 YEL	HWH WIRING (SWITCHED BATTERY POWER)	SLIDEOUT ROOM #3 SWITCH (POSITIVE)
KKM 16 YEL	HWH WIRING (SWITCHED BATTERY POWER)	SLIDEOUT ROOM #4 SWITCH (POSITIVE)
KKN 14 YEL	KEYLESS ENTRY PORCH LIGHT OUTPUT	PORCH/STEP/MAP LAMP
KKP 14 YEL	LOUNGE CEILING ROPE LAMP SWITCH (CIRCUIT #1)	LOUNGE CEILING ROPE LAMP (REF CIRCUIT SSZ)
KKR 14 YEL	BEDROOM CEILING ROPE LAMP SWITCH	BEDROOM CEILING ROPE LAMP
KKS 14 YEL	BEDROOM VALANCE LAMP SWITCH	BEDROOM VALANCE LAMP
KKT 14 YEL	BEDROOM "MOOD" LAMP SWITCH	BEDROOM "MOOD" LAMP
KKU 16 YEL	REAR TV SPEAKER OUTPUT (RIGHT POSITIVE)	RIGHT SPEAKER (POSITIVE)
KKV 16 WHT	REAR TV SPEAKER OUTPUT (RIGHT NEGATIVE)	RIGHT SPEAKER (NEGATIVE)
KKW 16 YEL	REAR TV SPEAKER OUTPUT (LEFT POSITIVE)	LEFT SPEAKER (POSITIVE)
KKX 16 WHT	REAR TV SPEAKER OUTPUT (LEFT NEGATIVE)	LEFT SPEAKER (NEGATIVE)

WIRE IDENTIFICATION CHART		
CODE/COLOR	FROM:	TO:
KKY 14 YEL	OVERCURRENT PROTECTION (15A FUSE/BREAKER TYPICAL)	COACH LIGHTING,ETC CIRCUIT #8 (REF KKZ)
KKZ 14 WHT	COACH LIGHTING (REF KKY)	GROUND
LLA 14 YEL	OVERCURRENT PROTECTION (15A FUSE/BREAKER TYPICAL)	COACH LIGHTING,ETC CIRCUIT #9 (REF LLB)
LLB 14 WHT	COACH LIGHTING (REF LLA)	GROUND
LLC 14 YEL	SEAT HEATER BREAKER (15 AMP BREAKER TYPICAL)	SEAT HEATER RELAY POSITION 30
LLD 14 WHT	RUN/ACC FEED #1 (REF JJZ)	GROUND
LLE 14 WHT	RUN/ACC FEED #2 (REF KKB)	GROUND
LLF 14 YEL	DOME LAMP RELAY	DOME LAMP
LLG 10/12 YEL	TRAILER BRAKE SIGNAL (OUTPUT FROM CONTROLLER)	TRAILER CONNECTOR (ELECTRIC BRAKES)
LLH 14 WHT	RUN ONLY GROUND SOURCE (CHASSIS SUPPLIED)	AUX START RELAY
LLJ 14 YEL	AUX START RELAY (RUN ONLY POWER)	AUX START SWITCH
LLK 10 YEL	CHASSIS BREAKER PANEL (LH FRT SLIDE)(FRT RAM)	CONTROL MODULE (LH FRT SLIDE)
LLL 10 WHT	CHASSIS GROUND BAR (LH FRT SLIDE)(FRT RAM)	CONTROL MODULE (LH FRT SLIDE)
LLM 10 YEL	CHASSIS BREAKER PANEL (LH FRT SLIDE)(REAR RAM)	CONTROL MODULE (LH FRT SLIDE)
LLN 10 WHT	CHASSIS GROUND BAR (LH FRT SLIDE)(REAR RAM)	CONTROL MODULE (LH FRT SLIDE)
LLP 10 YEL	CHASSIS BREAKER PANEL (REAR SLIDE RAM)	CONTROL MODULE (REAR SLIDE)
LLR 10 WHT	CHASSIS GROUND BAR (REAR SLIDE RAM)	CONTROL MODULE (REAR SLIDE)
LLS 10 YEL	CONTROL MODULE (LEFT FRONT SLIDE)	LT FRT SLIDE FRT RAM (MOTOR DRIVE LINE)
LLT 10 YEL	CONTROL MODULE (LEFT FRONT SLIDE)	LT FRT SLIDE FRT RAM (MOTOR DRIVE LINE)

WIRE IDENTIFICATION CHART		
CODE/COLOR	FROM:	TO:
LLU 10 YEL	CONTROL MODULE (LEFT FRONT SLIDE)	LT FRT SLIDE RR RAM (MOTOR DRIVE LINE)
LLV 10 YEL	CONTROL MODULE (REAR SLIDE)	REAR SLIDEOUT RAM (MOTOR DRIVE LINE)
LLW 10 YEL	CONTROL MODULE (LEFT FRONT SLIDE)	LT FRT SLIDE RR RAM (MOTOR DRIVE LINE)
LLX 10 YEL	CONTROL MODULE (REAR SLIDE)	REAR SLIDEOUT RAM (MOTOR DRIVE LINE)
LLY 16 WHT	CONTROL MODULE (REAR SLIDE)(GROUND)	SLIDEOUT SWITCH (REAR SLIDEOUT)
LLZ 16 YEL	CONTROL MODULE (REAR SLIDE)(RETRACT)	SLIDEOUT SWITCH (REAR SLIDEOUT)
MMA 16 YEL	CONTROL MODULE (REAR SLIDE)(STOP)	SLIDEOUT SWITCH (REAR SLIDEOUT)
MMB 16 YEL	CONTROL MODULE (REAR SLIDE)(GREEN LED)	SLIDEOUT SWITCH (REAR SLIDEOUT)
MMC 16 YEL	CONTROL MODULE (REAR SLIDE)(EXTEND)	SLIDEOUT SWITCH (REAR SLIDEOUT)
MMD 16 YEL	CONTROL MODULE (REAR SLIDE)(RED LED)	SLIDEOUT SWITCH (REAR SLIDEOUT)
MME 10 YEL	CHASSIS SIDE OF SOLENOID (FRT LT/REAR SLIDE RAMS)	BREAKER PANEL BUSS BAR (FRT LT/REAR SLIDE RAMS)
MMF 10 YEL	CHASSIS SIDE OF SOLENOID (FRT RT SLIDE RAMS)	BREAKER PANEL BUSS BAR (FRT RT SLIDE RAMS)
MMG 10 YEL	CHASSIS SIDE OF SOLENOID (REAR SLIDE RAM)	BREAKER PANEL (REAR SLIDE RAM)
MMH 16 YEL	OVERCURRENT PROTECTION (6 AMP BREAKER TYPICAL)	POWER SUNVISOR SWITCH
MMJ 16 WHT	GROUND	POWER SUNVISOR SWITCH
MMK 16 YEL	BEDROOM STEREO (LEFT SPEAKER REF)	CROSS OVER BOX (POSITIVE)
MML 16 WHT	BEDROOM STEREO (LEFT SPEAKER REF)	CROSS OVER BOX (NEGATIVE)
MMM 16 YEL	BEDROOM STEREO (RIGHT SPEAKER REF)	CROSS OVER BOX (POSITIVE)
MMN 16 WHT	BEDROOM STEREO (RT/WOOFER SPKER REF)	CROSS OVER BOX (NEGATIVE)

WIRE IDENTIFICATION CHART		
CODE/COLOR	FROM:	TO:
MMP 16 YEL	CROSS OVER COIL (POSITIVE)	SUBWOOFER (BEDROOM)
MMR 14 YEL	CHASSIS TOW MARKER LAMPS CIRCUIT	TRAILER CONNECTOR (TAIL/MARKER LAMPS)
MMS 12 YEL	+12V	PASSENGER AC/HEATER CONTROLS
MMT 12 YEL	PASSENGER FAN SWITCH (LOW SPEED)	PASSENGER FAN
MMU 12 YEL	PASSENGER FAN SWITCH (MED SPEED)	PASSENGER FAN
MMV 12 YEL	PASSENGER FAN SWITCH (HIGH SPEED)	PASSENGER FAN
MMW 16 YEL	+12V	PASSENGER CONTROL PANEL LAMPS
MMX 16 WHT	PASSENGER CONTROL PANEL LAMPS	GROUND
MMY 16 WHT	PASSENGER TEMP AND VENT CONTROL	GROUND
MMZ 12 YEL	SLIDEOUT ROOM CONTROL SWITCH (RAM #1)	SLIDEOUT DRIVE MOTOR LEAD #1
NNA 12 YEL	SLIDEOUT ROOM CONTROL SWITCH (RAM #1)	SLIDEOUT DRIVE MOTOR LEAD #2
NNB 16 YEL	CONTROL MODULE (FRONT SLIDE) (SIGNAL)	FRONT SLIDE FRONT RAM (ENCODER)
NNC 16 YEL	CONTROL MODULE (FRONT SLIDE) (+)	FRONT SLIDE FRONT RAM (ENCODER)
NND 16 WHT	CONTROL MODULE (FRONT SLIDE) (-)	FRONT SLIDE FRONT RAM (ENCODER)
NNE 16 YEL	CONTROL MODULE (FRONT SLIDE) (SIGNAL)	FRONT SLIDE REAR RAM (ENCODER)
NNF 16 YEL	CONTROL MODULE (FRONT SLIDE) (+)	FRONT SLIDE REAR RAM (ENCODER)
NNG 16 WHT	CONTROL MODULE (FRONT SLIDE) (-)	FRONT SLIDE REAR RAM (ENCODER)
NNH 12 YEL	CONTROL MODULE (RAM #2)	SLIDEOUT ACTURATOR DRIVE LEAD #1
NNJ 12 YEL	CONTROL MODULE (RAM #2)	SLIDEOUT ACTURATOR DRIVE LEAD #2

WIRE IDENTIFICATION CHART		
CODE/COLOR	FROM:	TO:
NNK 16 YEL	KEYLESS ENTRY TOUCH PAD SIGNAL	ENTRANCE DOOR TOUCH PAD
NNL 16 YEL	PASSENGER TEMP CONTROL (CONTROL OUT)	PASSENGER AC/HEATER
NNM 16 YEL	PASSENGER VENT CONTROL (CONTROL OUT)	PASSENGER VENT
NNN 16 YEL	CONTROL MODULE (RIGHT FRONT SLIDE) (STOP)	SLIDEOUT SWITCH (RIGHT FRONT SLIDE)
NNP 16 YEL	CONTROL MODULE (RIGHT FRONT SLIDE) (GREEN LED)	SLIDEOUT SWITCH (RIGHT FRONT SLIDE)
NNR 16 YEL	CONTROL MODULE (RIGHT FRONT SLIDE) (RED LED)	SLIDEOUT SWITCH (RIGHT FRONT SLIDE)
NNS 16 WHT	CONTROL MODULE (RIGHT FRONT SLIDE) (GROUND)	SLIDEOUT SWITCH (RIGHT FRONT SLIDEOUT)
NNT 16 YEL	CONTROL MODULE (RIGHT FRONT SLIDE) (SIGNAL)	RIGHT FRONT SLIDE, FRONT RAM (ENCODER)
NNU 16 YEL	CONTROL MODULE (RIGHT FRONT SLIDE) (+)	RIGHT FRONT SLIDE, FRONT RAM (ENCODER)
NNV 16 WHT	CONTROL MODULE (RIGHT FRONT SLIDE) (-)	RIGHT FRONT SLIDE, FRONT RAM (ENCODER)
NNW 16 YEL	CONTROL MODULE (RIGHT FRONT SLIDE) (SIGNAL)	RIGHT FRONT SLIDE, REAR RAM (ENCODER)
NNX 16 YEL	CONTROL MODULE (RIGHT FRONT SLIDE) (+)	RIGHT FRONT SLIDE, REAR RAM (ENCODER)
NNY 16 WHT	CONTROL MODULE (RIGHT FRONT SLIDE) (-)	RIGHT FRONT SLIDE, REAR RAM (ENCODER)
NNZ 10 YEL	CHASSIS BREAKER PANEL (RH FRT SLIDE) (FRT RAM)	CONTROL MODULE (RIGHT FRONT SLIDE)
PPA 10 WHT	CHASSIS GROUND BAR (RH FRT SLIDE) (FRT RAM)	CONTROL MODULE (RIGHT FRONT SLIDE)
PPB 10 YEL	CHASSIS BREAKER PANEL (RH FRT SLIDE) (REAR RAM)	CONTROL MODULE (RIGHT FRONT SLIDE)
PPC 10 WHT	CHASSIS GROUND BAR (RH FRT SLIDE) (REAR RAM)	CONTROL MODULE (RIGHT FRONT SLIDE)
PPD 10 YEL	CONTROL MODULE (RIGHT FRONT SLIDE)	RH FRT SLIDE FRT RAM (MOTOR DRIVE LINE)
PPE 10 YEL	CONTROL MODULE (RIGHT FRONT SLIDE)	RH FRT SLIDE FRT RAM (MOTOR DRIVE LINE)

WIRE IDENTIFICATION CHART		
CODE/COLOR	FROM:	TO:
PPF 10 YEL	CONTROL MODULE (RIGHT FRONT SLIDE)	RH FRT SLIDE RR RAM (MOTOR DRIVE LINE)
PPG 10 YEL	CONTROL MODULE (RIGHT FRONT SLIDE)	RH FRT SLIDE RR RAM (MOTOR DRIVE LINE)
PPH 14 YEL	CHASSIS CLEARANCE LAMPS CRT #2 (REF MM)	CLEARANCE/MARKER LAMPS
PPJ 14 YEL	PASSENGER SUNVISOR SWITCH DRIVER'S SIDE	PASSENGER SUNVISOR SWITCH PASSENGER'S SIDE
PPK 14 YEL	PASSENGER SUNVISOR SWITCH DRIVER'S SIDE	PASSENGER SUNVISOR SWITCH PASSENGER'S SIDE
PPL 14 YEL	DASH RADIO ACCESSORY POWER	TV/RADIO SPEAKER SELECTOR SWITCH
PPM 12 YEL	OVERCURRENT PROTECTION (15A BREAKER TYPICAL)	LEFT FRONT SLIDEOUT LOCK SWITCH
PPN 12 WHT	LEFT FRONT SLIDEOUT LOCK SWITCH (REF PPM)	GROUND
PPP 12 YEL	OVERCURRENT PROTECTION (15A BREAKER TYPICAL)	RIGHT FRONT SLIDEOUT LOCK SWITCH
PPR 12 WHT	RIGHT FRONT SLIDEOUT LOCK SWITCH (REF PPP)	GROUND
PPS 12 YEL	LEFT FRONT SLIDEOUT LOCK SWITCH	LEFT FRONT SLIDEOUT LOCK MOTOR
PPT 12 YEL	LEFT FRONT SLIDEOUT LOCK SWITCH	LEFT FRONT SLIDEOUT LOCK MOTOR
PPU 12 YEL	RIGHT FRONT SLIDEOUT LOCK SWITCH	RIGHT FRONT SLIDEOUT LOCK MOTOR
PPV 12 YEL	RIGHT FRONT SLIDEOUT LOCK SWITCH	RIGHT FRONT SLIDEOUT LOCK MOTOR
PPW 14 YEL	SLIDEOUT LOCK SWITCH W/SLIDEOUT SWITCH #1 IN DASH	SLIDEOUT ROOM #1 SWITCH (POSITIVE)
PPX 14 YEL	SLIDEOUT LOCK SWITCH W/SLIDEOUT SWITCH #3 IN DASH	SLIDEOUT ROOM #3 SWITCH (POSITIVE)
PPY 14 YEL	SLIDEOUT LOCK SWITCH W/SLIDEOUT SWITCH #4 IN DASH	SLIDEOUT ROOM #4 SWITCH (POSITIVE)
PPZ 12 YEL	CHASSIS SUPPLIED WIRING	TRAILER TOW BATTERY FEED (7 WAY TOW CONNECTOR)
RRA 14 YEL	GENERAL SWITCH	GENERAL LAMP

WIRE IDENTIFICATION CHART		
CODE/COLOR	FROM:	TO:
RRB 14 YEL	GENERAL SWITCH	GENERAL LAMP
RRC 14 YEL	GENERAL SWITCH	GENERAL LAMP
RRD 14 YEL	GALLEY CEILING FAN SWITCH	GALLEY CEILING FAN
RRE 14 YEL	10 OHM RESISTOR	LOUNGE CEILING FAN (LOW SPEED)
RRF 14 YEL	BEDROOM READING LAMP SWITCH	BEDROOM READING LAMP
RRG 14 YEL	BEDROOM READING LAMP SWITCH #1 (2 SWITCH SYSTEM)	BEDROOM READING LAMP SWITCH #2 (2 SWITCH SYSTEM)
RRH 14 YEL	BEDROOM READING LAMP SWITCH #1 (2 SWITCH SYSTEM)	BEDROOM READING LAMP SWITCH #2 (2 SWITCH SYSTEM)
RRJ 12 WHT	SEVEN PIN CONNECTOR (TRAILER CONNECTOR)	GROUND
RRK 16 YEL	2ND GALLEY HOLDING TANK	SELECTOR SWITCH
RRL 16 YEL	HOLDING TANK SELECTOR SWITCH	MONITOR PANEL
RRM 14 YEL	CENTER POWER SUNVISOR SWITCH	CENTER SUNVISOR
RRN 14 YEL	CENTER POWER SUNVISOR SWITCH	CENTER SUNVISOR
RRP 16 YEL	THERMOSTAT (LOW STAGE)	FURNACE (LOW STAGE)
RRR 16 YEL	THERMOSTAT (HIGH STAGE)	FURNACE (HIGH STAGE)
RRS 16 YEL	SLIDEOUT LOCK SWITCH (#1)	SLIDEOUT LOCK SWITCH (#2)
RRT 16 YEL	AWNING CONTROL BOX (LOCATED IN HOUSING PIN 1)	DOOR AWNING LIMIT SWITCH (LOCATED IN HOUSING PIN 1)
RRU 16 WHT	AWNING CONTROL BOX (LOCATED IN HOUSING PIN 2)	DOOR AWNING LIMIT SWITCH (LOCATED IN HOUSING PIN 2)
RRV 14 YEL	VIDEO CAMERA SWITCHER	MONITOR
RRW 14 YEL	LOCKOUT POSITIONING SWITCH	FIREPLACE LOCKOUT RECP

WIRE IDENTIFICATION CHART		
CODE/COLOR	FROM:	TO:
RRX 10 YEL	12V BREAKER PANEL (30 AMP TYPICAL)	SMART FUSE BLOCK (POSITIVE)
RRY 18 YEL	SMART FUSE BLOCK (COMMUNICATION BUS)	SMART FUSE SWITCH PANEL
RRZ 18 WHT	SMART FUSE BLOCK (COMMUNICATION GROUND)	SMART FUSE SWITCH PANEL
SSA 14 WHT	FRONT LEFT SLIDE LOCK (INDICATOR OUTPUT-GROUND)	FRONT LEFT LOCK SWITCH LED
SSB 14 WHT	FRONT RIGHT SLIDE LOCK (INDICATOR OUTPUT-GROUND)	FRONT RIGHT LOCK SWITCH LED
SSC 14 YEL	JACK CONTROL PANEL (LEVEL)	REMOTE AUTO LEVEL SWITCH
SSD 14 YEL	JACK CONTROL PANEL (STORE)	REMOTE AUTO LEVEL SWITCH
SSE 14 YEL	JACK CONTROL PANEL (COMMON)	REMOTE AUTO LEVEL SWITCH (+)HWH (-)KWIKEE
SSF 14 YEL	JACK CONTROL PANEL (INDICATOR LED)	REMOTE AUTO LEVEL SWITCH (-)HWH (+)KWIKEE
SSG 18 YEL	TRANSFORMER	AUTO GENERATOR START MONITOR PANEL
SSH 18 WHT	TRANSFORMER	AUTO GENERATOR START MONITOR PANEL
SSJ 10 YEL	BRAKE CONTROLLER POWER (30-AMP BREAKER TYPICAL)	BRAKE CONTROLLER (POWER INPUT)
SSK 14 WHT	BRAKE CONTROLLER (GROUND)	GROUND
SSL 14 YEL	CHASSIS REAR LAMP WIRING (LEFT TURN ONLY)	LEFT TURN SIGNAL *NOT COMBO TURN/BRAKE*
SSM 14 YEL	CHASSIS REAR LAMP WIRING (RIGHT TURN ONLY)	RIGHT TURN SIGNAL *NOT COMBO TURN/BRAKE*
SSN 18 WHT	FRONT RIGHT SLIDEOUT LOCK END SWITCH (FROM NNS)	CONTROL MODULE (RIGHT FRONT SLIDE)(GROUND)
SSP 18 WHT	LEFT FRONT SLIDEOUT LOCK END SWITCH (FROM DS)	CONTROL MODULE (LEFT FRONT SLIDE)(GROUND)
SSR 16 YEL	EXTERIOR HOLDING TANK SELECTOR SWITCH	EXTERIOR MONITOR PANEL
SSS 16 YEL	EXTERIOR HOLDING TANK SELECTOR SWITCH	2ND GALLEY HOLDING TANK

WIRE IDENTIFICATION CHART		
CODE/COLOR	FROM:	TO:
SST 14 YEL	GALLEY LAMP SWITCH #1	GALLEY LAMP SWITCH #2
SSU 14 YEL	GALLEY LAMP SWITCH #1	GALLEY LAMP SWITCH #2
SSV 14 YEL	BATH CEILING LAMP SWITCH #1 (2 SWITCH SYSTEM)	BATH CEILING LAMP SWITCH #2 (2 SWITCH SYSTEM)
SSW 14 YEL	BATH CEILING LAMP SWITCH #1 (2 SWITCH SYSTEM)	BATH CEILING LAMP SWITCH #2 (2 SWITCH SYSTEM)
SSX 12 YEL	DOOR AWNING SWITCH	DOOR AWNING CONTROL RELAY (RELAY POSITION 87A EXTEND)
SSY 12 WHT	DOOR AWNING SWITCH	DOOR AWNING LIMIT SWITCH
SSZ 14 YEL	LOUNGE CEILING ROPE LAMP SWITCH (CIRCUIT #2)	LOUNGE CEILING ROPE LAMP (REF CIRCUIT KKP)
TTA 14 YEL	LEVELING SYSTEM CONTROLS	INDICATOR LAMP/ALARM (POSITIVE)
TTB 14 WHT	LEVELING SYSTEM CONTROLS	INDICATOR LAMP/ALARM (NEGATIVE)
TTC 10 YEL	CHASSIS BATTERY	SLIDEOUT LOCK BREAKER
TTD 14 YEL	VEHICLE LEFT HEADLAMP HI BEAM CIRCUIT	LEFT HI BEAM LAMP
TTE 14 YEL	RELAY	RIGHT DOCKING LAMP
TTF 14 YEL	RELAY	LEFT DOCKING LAMP
TTG 18 YEL	FRONT THERMOSTAT (MAIN)	REMOTE SENSOR
TTH 18 YEL	FRONT THERMOSTAT (MAIN)	REMOTE SENSOR
TTJ 14 YEL	BRAKE LAMP CIRCUIT BREAKER	BRAKE LAMP RELAY
TTK 14 YEL	RIGHT TURNLAMP CIRCUIT BREAKER	RIGHT TURN LAMP RELAY
TTL 14 YEL	LEFT TURN LAMP CIRCUIT BREAKER	LEFT TURN LAMP RELAY
TTM 14 YEL	BACKUP LAMP CIRCUIT BREAKER	BACKUP LAMP RELAY

WIRE IDENTIFICATION CHART

CODE/COLOR	FROM:	TO:
TTN 14 YEL	PARK LAMP CIRCUIT BREAKER	PARK LAMP RELAY
TTP 12 YEL	AWNING CONTROL BOX	PATIO AWNING #2 (MOTOR POSITIVE)
TTR 12 WHT	AWNING CONTROL BOX	PATIO AWNING #2 (MOTOR GROUND)
TTS 16 YEL	AWNING CONTROL BOX	PATIO AWNING #2 (SWITCH EXTEND)
TTT 16 YEL	AWNING CONTROL BOX	PATIO AWNING #2 (SWITCH COMMON)
TTU 16 YEL	AWNING CONTROL BOX	PATIO AWNING #2 (SWITCH RETRACT)
TTV 16 YEL	AWNING CONTROL BOX	WIND SENSOR #2 (POSITIVE)
TTW 16 YEL	AWNING CONTROL BOX	WIND SENSOR #2 (NEGATIVE)
TTX 16 YEL	AWNING CONTROL BOX	WIND SENSOR #2 (SPEED OUTPUT)
TTY 18 YEL	CHASSIS BATT DISCONNECT RELAY (TERMINAL I)	CHASSIS BATT DISCONNECT SWITCH
TTZ 18 YEL	CHASSIS BATT DISCONNECT RELAY (TERMINAL S)	CHASSIS BATT DISCONNECT SWITCH
UUA 18 YEL	CHASSIS BATT DISCONNECT RELAY LOAD SIDE FUSE FEED	CHASSIS BATT DISCONNECT SWITCH INDICATOR LAMP
UUB 18 YEL	CHASSIS BATT DISCONNECT RELAY BATTERY SIDE FUSE FEED	CHASSIS BATT DISCONNECT SWITCH
UUC 18 WHT	CHASSIS BATT DISCONNECT SWITCH	GROUND
UUD 12 YEL	RIGHT REAR SLIDEOUT LOCK SWITCH	RIGHT REAR SLIDEOUT LOCK MOTOR
UUE 12 YEL	RIGHT REAR SLIDEOUT LOCK SWITCH	RIGHT REAR SLIDEOUT LOCK MOTOR