



DANGER

Danger of electrical shock, burns or death. Always remove all power sources before attempting any repair, service or diagnostic work. Power can be present from shore power, generator, inverter or battery. All power sources must be disabled and secured before performing any service.



CAUTION

If you lack the skills, tools or equipment to perform diagnostic or repair work leave such work to an authorized Winnebago Industries dealer or other qualified shop.

	8	7	6	5	4	3	2	1
		G33V	G35A	G35U	G37B	G38J	G38R	G38T
BLK	14-UL	136131-06-032	136131-06-055	136131-06-036	136131-06-036	136131-06-040	136131-06-075	136131-06-015
	14-CA	136134-06-032	136134-06-055	136134-06-036	136134-06-036	136134-06-040	136134-06-075	136134-06-015
BLU	14-UL	136131-02-070	136131-02-230	136131-02-086	136131-02-086	136131-02-135	136131-02-190	136131-02-080
	14-CA	136134-02-070	136134-02-230	136134-02-086	136134-02-086	136134-02-135	136134-02-190	136134-02-080
BRN	14-UL	136131-03-095	136131-03-070	136131-03-130	136131-03-118	136131-03-045	136131-03-135	136131-03-200
	14-CA	136134-03-095	136134-03-070	136134-03-130	136134-03-118	136134-03-045	136134-03-135	136134-03-200
GLD	12-UL	N/A	136135-10-063	N/A	136135-10-095	136135-10-068	136135-10-106	136135-10-047
	12-CA	N/A	136136-10-063	N/A	136136-10-095	136136-10-068	136136-10-106	136136-10-047
GRN	12-UL	136135-08-095	136135-08-067	136135-08-092	136135-08-112	136135-08-065	136135-08-045	136135-08-091
	12-CA	136136-08-095	136136-08-067	136136-08-092	136136-08-112	136136-08-065	136136-08-045	136136-08-091
	12-UL	136135-08-114	136135-08-090	136135-08-112	136135-08-118	136135-08-095	136135-08-080	136135-08-108
	12-CA	136136-08-114	136136-08-090	136136-08-112	136136-08-118	136136-08-095	136136-08-080	136136-08-108
GRN 2	12-UL	136135-14-054	136135-14-054	136135-14-054	136135-14-054	136135-14-054	136135-14-054	136135-14-054
	12-CA	136136-14-054	136136-14-054	136136-14-054	136136-14-054	136136-14-054	136136-14-054	136136-14-054
PUR	14-UL	136131-04-200	136131-04-168	136131-04-175	136131-04-140	136131-04-140	136131-04-165	136131-04-090
	14-CA	136134-04-200	136134-04-168	136134-04-175	136134-04-140	136134-04-140	136134-04-165	136134-04-090
RED	12-UL	136135-07-114	136135-07-090	136135-07-112	136135-07-118	136135-07-095	136135-07-080	136135-07-108
	12-CA	136136-07-114	136136-07-090	136136-07-112	136136-07-118	136136-07-095	136136-07-080	136136-07-108
WHT	12-UL	136135-09-075	136135-09-050	136135-09-082	136135-09-100	136135-09-040	136135-09-130	136135-09-075
	12-CA	136136-09-075	136136-09-050	136136-09-082	136136-09-100	136136-09-040	136136-09-130	136136-09-075
YEL	14-UL	136131-05-032	136131-05-050	136131-05-036	136131-05-036	136131-05-055	136131-05-100	136131-05-025
	14-CA	136134-05-032	136134-05-050	136134-05-036	136134-05-036	136134-05-055	136134-05-100	136134-05-025
YEL 2	14-UL	136131-13-043	136131-13-055	136131-13-050	136131-13-050	136131-13-055	136131-13-100	136131-13-050
	14-CA	136134-13-043	136134-13-055	136134-13-050	136134-13-050	136134-13-055	136134-13-100	136134-13-050
GRY	14-UL	----	----	----	----	-----	-----	136131-15-080
	14-CA	----	----	----	----	-----	-----	136134-15-080
MAIN	10-UL	136137-01-095	136137-01-067	136137-01-092	136137-01-112	136137-01-060	136137-01-045	136137-01-089
	10-CA	136138-01-095	136138-01-067	136138-01-092	136138-01-112	136138-01-060	136138-01-045	136138-01-089
	6-3 UL	136139-01-095	136139-01-067	136139-01-092	136139-01-112	136139-01-060	136139-01-045	136139-01-089
	6-3 CA	136140-01-095	136140-01-067	136140-01-092	136140-01-112	136140-01-060	136140-01-045	136140-01-089
MAIN GROUND		136145-01-030	136145-01-045	136145-01-036	136145-01-036	136145-01-045	136145-01-100	136145-01-012
ATS GROUND		136145-01-061	136145-01-048	136145-01-066	136145-01-080	136145-01-061	136145-01-076	136145-01-081
CONDUIT ASM-CENTRAL A/C		151704-01-015	151704-01-015	151704-01-015	151704-01-015	151704-01-015	151704-01-015	151704-01-015

REV	ZONE	DATE	DESCRIPTION	DATE	DFTR	ORIG
B	S3,4		MODULE EMS 127002-11 WAS -08	10/15/04	2245	5643
C	S1S2		ADD 06 G38J	10/26/04	3728	5643
D	S1S2		ADD 06 G37B	11/15/04	3728	5643
E	S1S2		ADD 06 G38T	12/14/04	1612	5643
F	S1S2		ADDING AND CORRECTING OPTION 400	01/13/05	3728	5643
G	S1		CHANGE LENGTHS ON G33V	02/22/05	3728	4216
H	S1S2		MISC WIRE LENGTH CHANGES AND ADD 06 G35A	03/04/05	3728	5643
J	S1S2		MULTIPLE CHANGES	03/24/05	2245	5643
K	S1,2		MULTIPLE CHANGES	04/12/05	2245	
L	S1		ADD FEATURE 14C TO THE GRAY CIRCUIT	04/14/05	3728	5643
M	S1S2		ADD G35U TO PRINT AND CORRECT SEVERAL LENGTHS	04/21/05	3728	5643
N	S1,2		CHANGED LENGTH; REMOVED G386 COLUMN	05/09/05	2245	5643
P	S1,2		CHANGED LENGTHS	05/31/05	2245	5643
R	---		ADDING CONVOLUTED TUBING TO SLIDOUT WIRES	06/17/05	3728	5643
S	S1S2		CHANGE LENGTHS	07/01/05	3728	5643
T	S2, D4		DELTA NOTE 5 ON G37B THROW IN WIRE #3 WAS DELTA 1	07/12/05	2245	5643
U	S1,2		LENGTH CHANGES ON G38T	08/29/05	2245	5643
V	SHT2		CHANGED LABEL ON GREY BREAKER FROM 20 TO 15	09/30/05	6567	0337

(21M) (54E)

(21M) (54E)

(12D)

(12D)

(78J)

(78J)

(12D)

(12D)

(14C)

(14C)

(12D)

(12D)

(78J)

(78J)

- (14C) FIREPLACE-ELECTRIC
- (78J) ELECTRICAL SYSTEM - 50 AMP
- (54E) WASHER/DRYER
- (265) CODES/STANDARDS - CSA/CMVSS
- (21M) WASHER/DRYER - PREP
- (1B1) CODES/STANDARDS - USA
- (12D) ELECTRICAL SYSTEM - 30 AMP

COPYRIGHT 2004 WINNEBAGO INDUSTRIES, INC.

DFTR	ORIG. DATE
CHKR	ALL DIMENSIONS ARE IN MILLIMETERS
P.E.	
M.E.	FIRST USED
DSNR	06 G-SERIES
UNSPECIFIED TOLERANCES ARE:	
WHOLE DIM (X)	:
ONE-PLACE (X.X)	:
TWO-PLACE (X.XX)	:
ANGLE	:
THIRD ANGLE PROJECTION	

DO NOT SCALE DRAWING

TITLE: **LOAD CENTER/ATS ASM**

SHEET 1 OF 5 PART NO **153077**

REF: 1 10/4/2005

SEE DETAIL EA
NOTES:

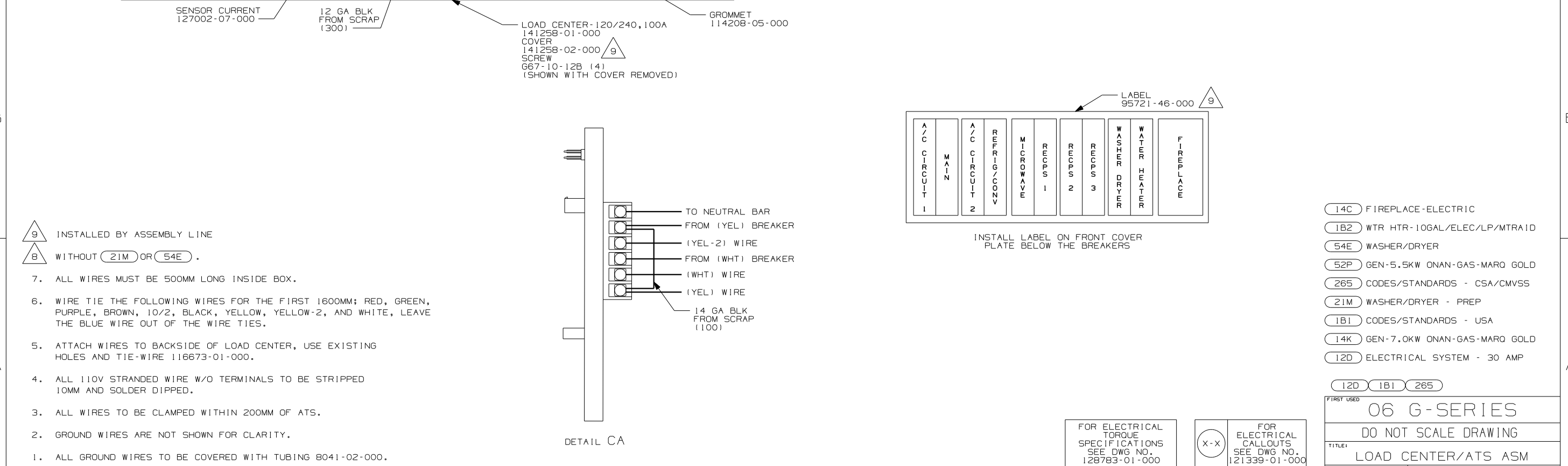
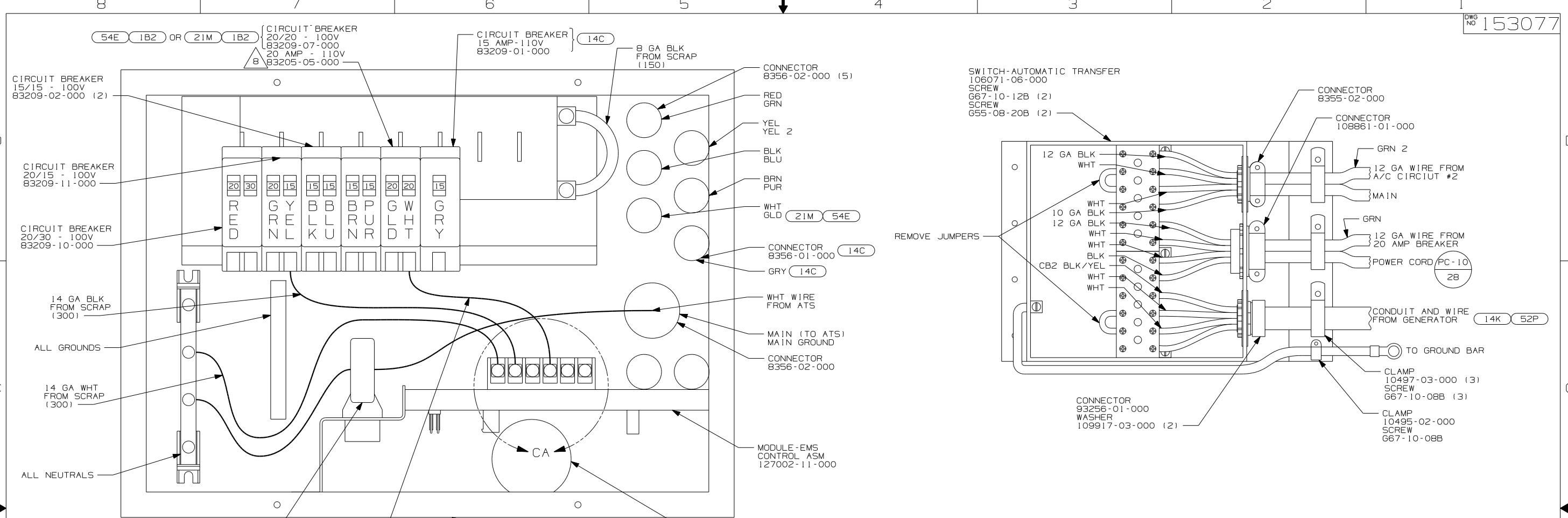
	8	7	6	5	4	3	2	1
		G33V	G35A	G35U	G37B	G38J	G38R	G38T
THROW IN WIRE #1	14-UL	136131-03-055	136131-03-055	136131-03-065	136131-03-055	136131-03-055	136131-03-045	136131-13-010
THROW IN WIRE #2	14-UL	136131-04-018 (49M)	136131-04-018 (49M)	136131-04-088	136131-04-018 (49M)	136131-04-018 (49M)	136131-04-088	136131-03-060
	14-CA	136134-04-018 (49M)	136134-04-018 (49M)	136134-04-088	136134-04-018 (49M)	136134-04-018 (49M)	136134-04-088	136134-03-060
THROW IN WIRE #3	14-UL	136131-12-100	136131-02-021	136131-12-070	136131-12-165	136131-03-006	136131-12-085	136131-12-165
	14-CA	136134-12-100	136134-02-021	136134-12-070	136134-12-165	136134-03-006	136134-12-085	136134-12-165
THROW IN WIRE #4	14-UL	136131-12-006 (40D)	136131-02-026	136131-12-006 (40D)	136131-12-020	136131-12-030	136131-03-060	136131-04-130
	14-CA	136134-12-006 (40D)	136134-02-026	136134-12-006 (40D)	136134-12-020	136134-12-030	136134-03-060	136134-04-130
THROW IN WIRE #5	14-UL	N/A	136131-12-075	N/A	136131-03-115	136131-03-075	136131-12-006 (40D)	136131-12-055
	14-CA	N/A	136134-12-075	N/A	136134-03-115	136134-03-075	136134-12-006 (40D)	136134-12-055
THROW IN WIRE #6	14-UL	N/A	136131-12-006 (40D)	N/A	136131-12-006 (40D)	136131-12-155	----	136131-15-035 (14C)
	14-CA	N/A	136134-12-006 (40D)	N/A	136134-12-006 (40D)	136134-12-155	----	136134-15-035 (14C)
THROW IN WIRE #7	14-UL	----	----	----	----	136131-12-006	----	136131-12-006 (40D)
	14-CA	----	----	----	----	136134-12-006	----	136134-12-006 (40D)
SLIDEOUT WIRE #1		136151-03-026	136151-03-026	136151-03-026	136151-03-026	136151-03-038	136151-03-030	136151-05-028
SLIDEOUT WIRE #2		136151-04-017	136151-04-017	136151-04-017	136151-04-017	136151-04-017	136151-02-017	136151-03-028
SLIDEOUT WIRE #3		N/A	136151-06-022	N/A	136151-12-019	136151-06-038	136151-06-030	136151-04-017
SLIDEOUT WIRE #4		N/A	136151-02-022	N/A	N/A	136151-12-025	N/A	136151-12-017
SLIDEOUT WIRE #5		N/A		N/A	N/A	136151-03-025	N/A	136151-15-017

- SEE DETAIL EF
- SEE DETAIL EE
- SEE DETAIL ED
- SEE DETAIL EC
- SEE DETAIL EB
- SEE DETAIL EA

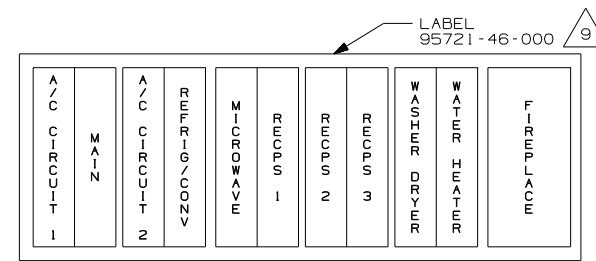
NOTES:

- FIREPLACE-ELECTRIC
- INVERTER-DC/AC,600 WATT
- ELECTRICAL SYSTEM - 50 AMP
- SLEEP NUMBER BED-QUEEN SIZE
- CODES/STANDARDS - CSA/CMVSS
- CODES/STANDARDS - USA
- ELECTRICAL SYSTEM - 30 AMP

FIRST USED	06 G-SERIES
TITLE	DO NOT SCALE DRAWING
TITLE	LOAD CENTER/ATS ASM
SHEET 2	PART NO 153077



- NOTES:
1. ALL GROUND WIRES TO BE COVERED WITH TUBING 8041-02-000.
 2. GROUND WIRES ARE NOT SHOWN FOR CLARITY.
 3. ALL WIRES TO BE CLAMPED WITHIN 200MM OF ATS.
 4. ALL 110V STRANDED WIRE W/O TERMINALS TO BE STRIPPED 10MM AND SOLDER DIPPED.
 5. ATTACH WIRES TO BACKSIDE OF LOAD CENTER, USE EXISTING HOLES AND TIE-WIRE 116673-01-000.
 6. WIRE TIE THE FOLLOWING WIRES FOR THE FIRST 1600MM; RED, GREEN, PURPLE, BROWN, 10/2, BLACK, YELLOW, YELLOW-2, AND WHITE, LEAVE THE BLUE WIRE OUT OF THE WIRE TIES.
 7. ALL WIRES MUST BE 500MM LONG INSIDE BOX.



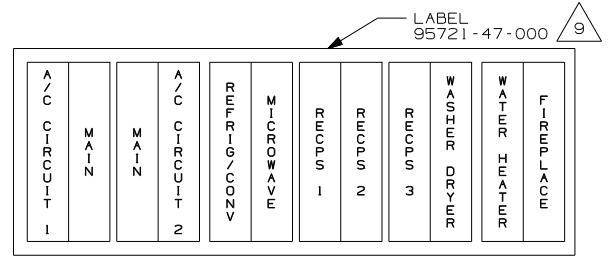
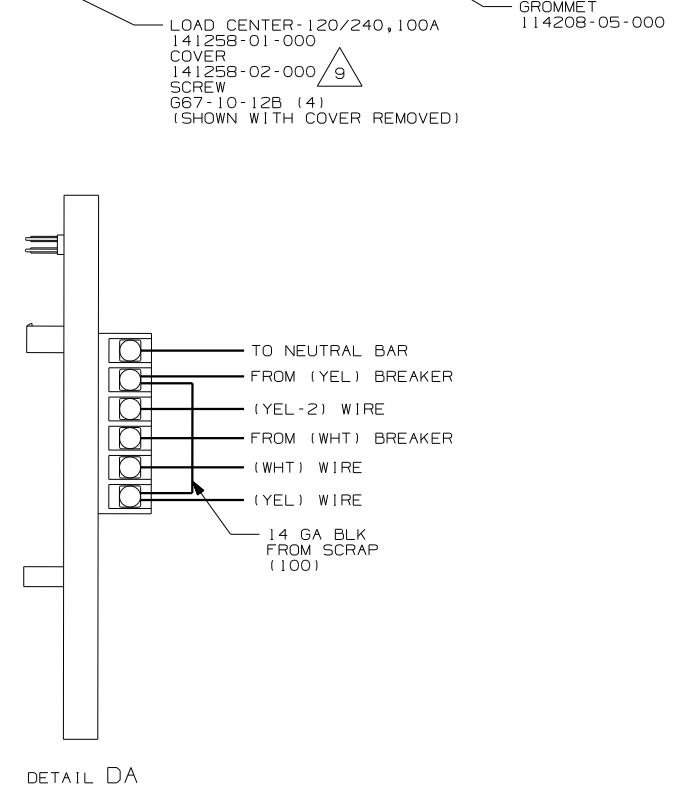
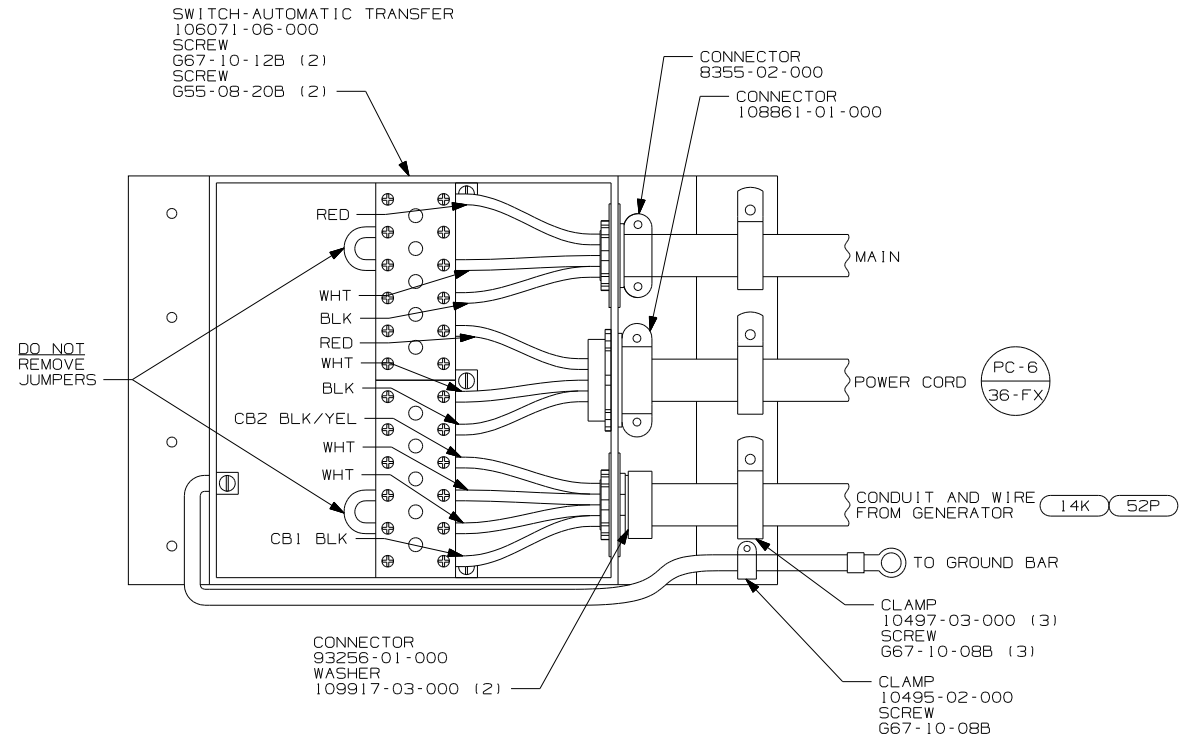
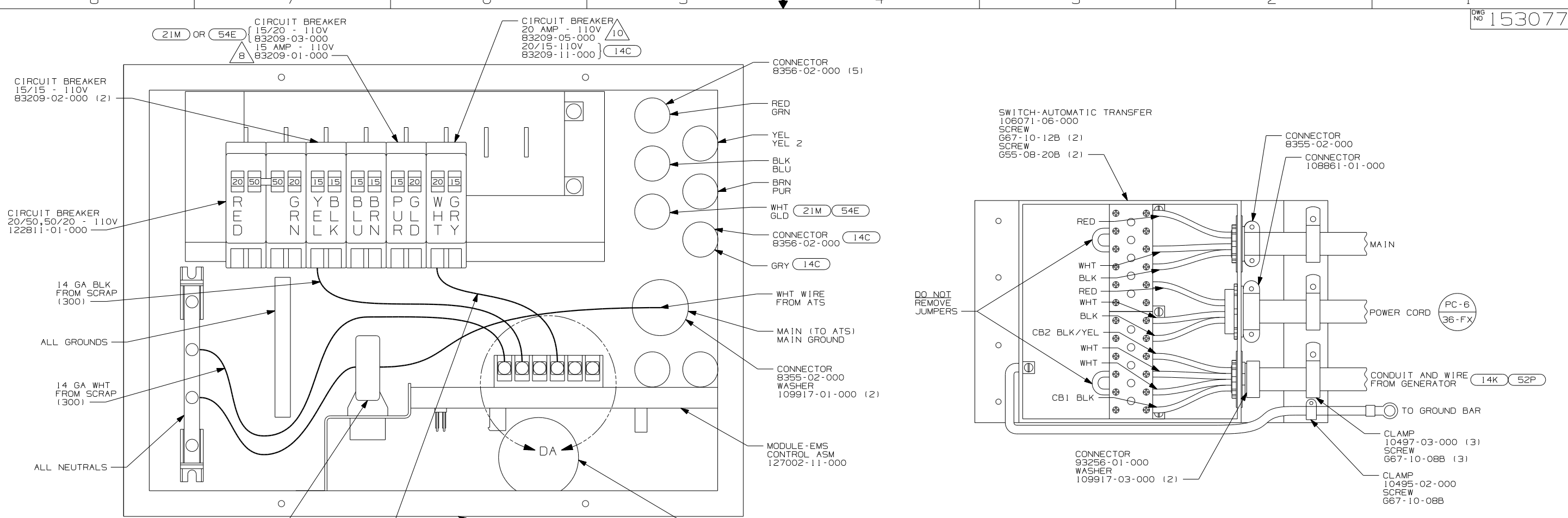
INSTALL LABEL ON FRONT COVER PLATE BELOW THE BREAKERS

- (14C) FIREPLACE-ELECTRIC
- (1B2) WTR HTR-10GAL/ELEC/LP/MTR/ID
- (54E) WASHER/DRYER
- (52P) GEN-5.5KW ONAN-GAS-MARQ GOLD
- (265) CODES/STANDARDS - CSA/CMVSS
- (21M) WASHER/DRYER - PREP
- (1B1) CODES/STANDARDS - USA
- (14K) GEN-7.0KW ONAN-GAS-MARQ GOLD
- (12D) ELECTRICAL SYSTEM - 30 AMP

FOR ELECTRICAL TORQUE SPECIFICATIONS SEE DWG NO. 128783-01-000

FOR ELECTRICAL CALLOUTS SEE DWG NO. 121339-01-000

FIRST USED	
06 G-SERIES	
DO NOT SCALE DRAWING	
TITLE: LOAD CENTER/ATS ASM	
SHEET 3	PART NO 153077



INSTALL LABEL ON FRONT COVER PLATE BELOW THE BREAKERS

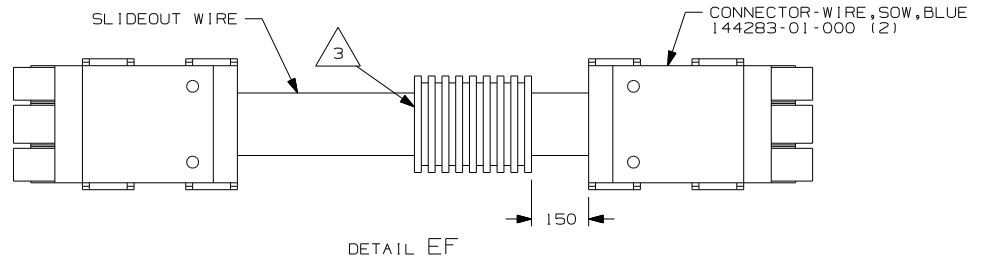
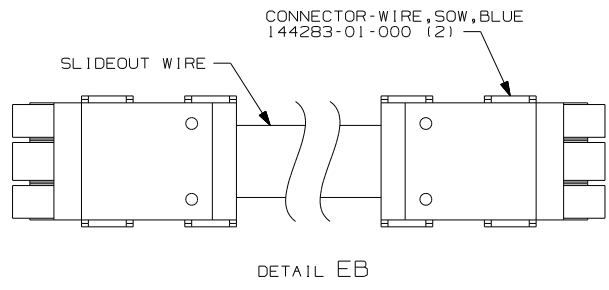
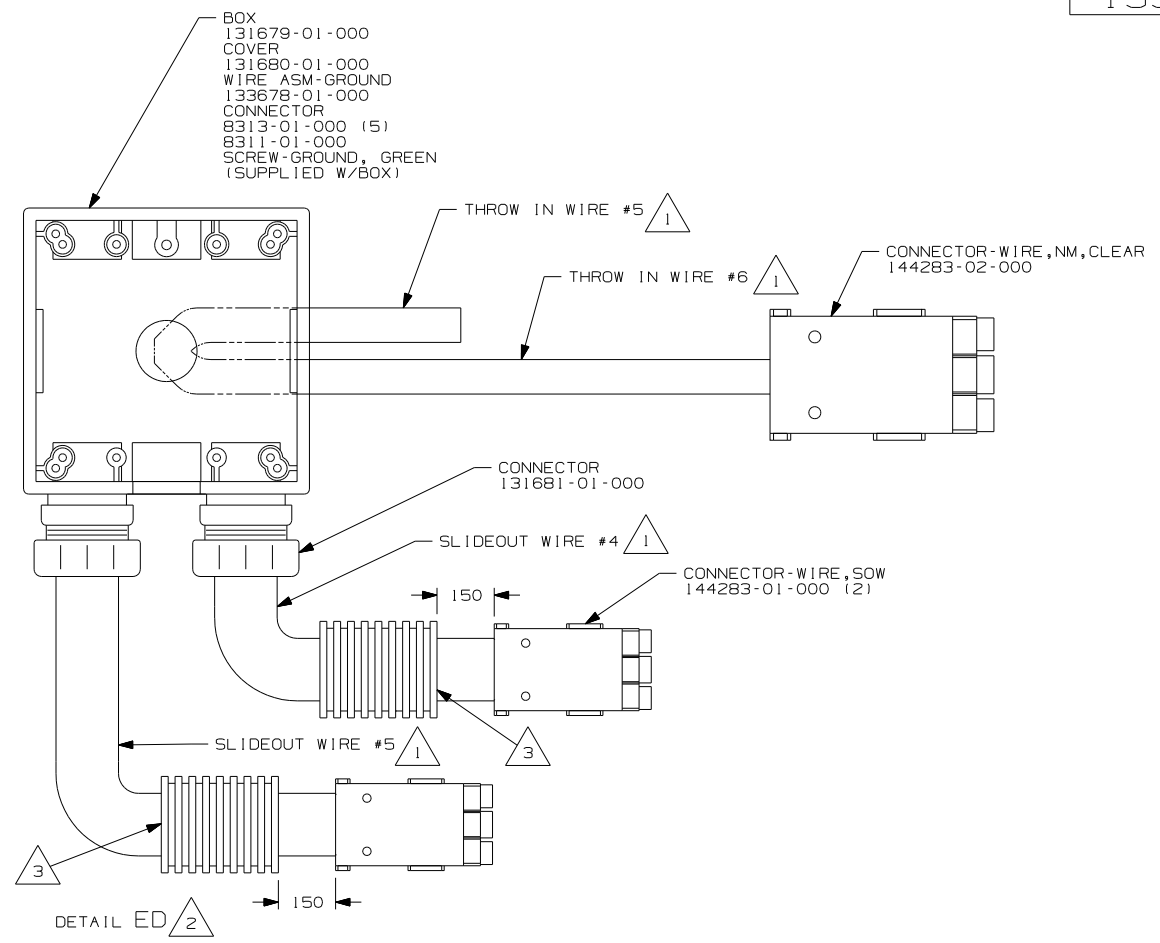
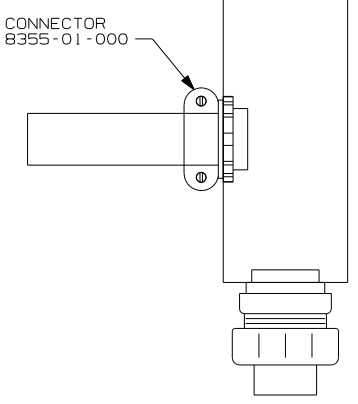
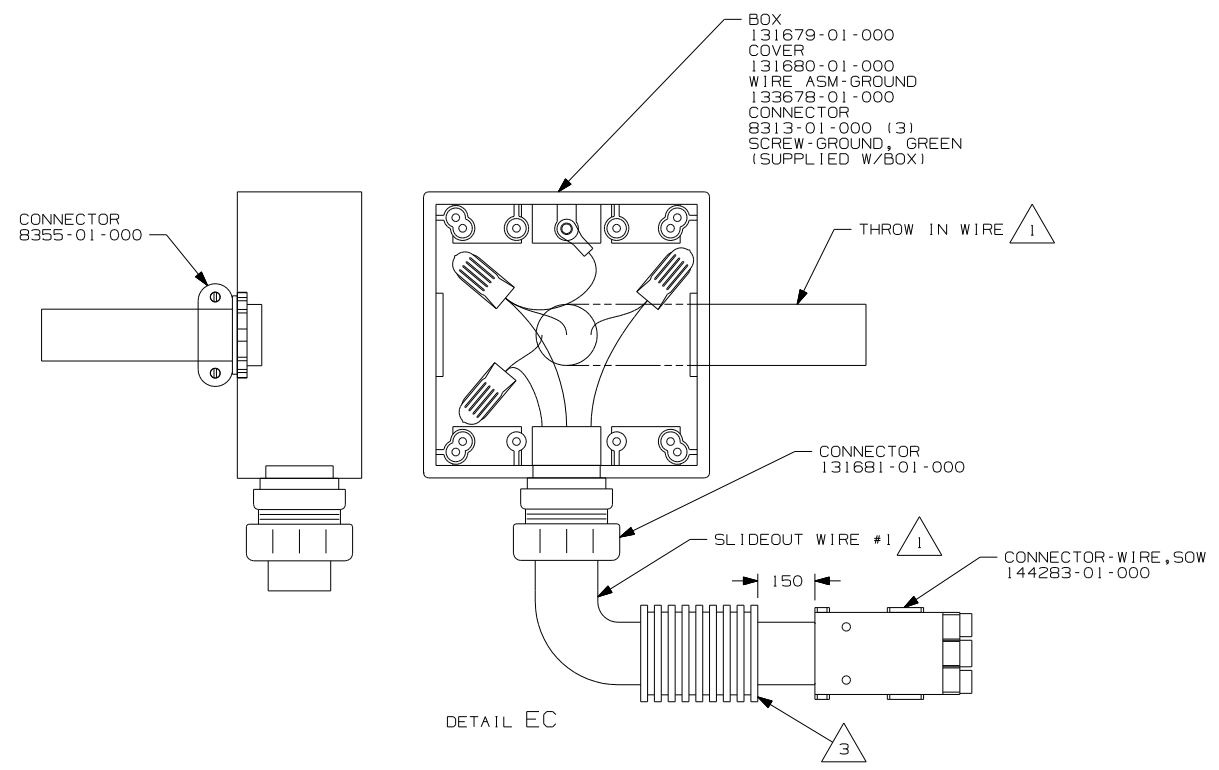
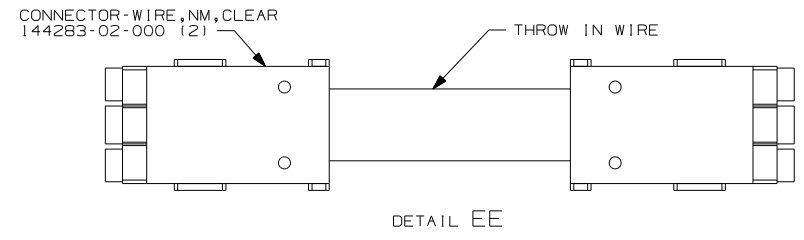
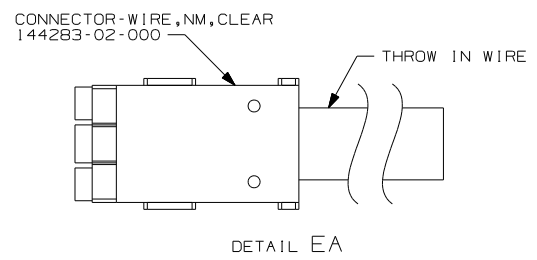
- NOTES:
1. ALL GROUND WIRES TO BE COVERED WITH TUBING 8041-02-000.
 2. GROUND WIRES ARE NOT SHOWN FOR CLARITY.
 3. ALL WIRES TO BE CLAMPED WITHIN 200MM OF ATS.
 4. ALL 110V STRANDED WIRE W/O TERMINALS TO BE STRIPED 10MM AND SOLDER DIPPED.
 5. ATTACH WIRES TO BACKSIDE OF LOAD CENTER, USE EXISTING HOLES AND TIE-WIRE 116673-01-000.
 6. WIRE TIE THE FOLLOWING WIRES FOR THE FIRST 1600MM; RED, GREEN, PURPLE, BROWN, 10/2, BLACK, YELLOW, YELLOW 2, AND WHITE, LEAVE THE BLUE WIRE OUT OF THE WIRE TIES.
 7. ALL WIRES MUST BE 500MM LONG INSIDE BOX.

- (14C) FIREPLACE-ELECTRIC
- (78J) ELECTRICAL SYSTEM - 50 AMP
- (54E) WASHER/DRYER
- (52P) GEN-5.5KW ONAN-GAS-MARO GOLD
- (265) CODES/STANDARDS - CSA/CMVSS
- (21M) WASHER/DRYER - PREP
- (1B1) CODES/STANDARDS - USA
- (14K) GEN-7.0KW ONAN-GAS-MARO GOLD

FIRST USED	
06 G-SERIES	
DO NOT SCALE DRAWING	
TITLE: LOAD CENTER/ATS ASM	
SHEET 4	PART NO 153077

FOR ELECTRICAL TORQUE SPECIFICATIONS SEE DWG NO. 128783-01-000

(X-X) FOR ELECTRICAL CALLOUTS SEE DWG NO. 121339-01-000



- NOTES:
- 3 APPLY 300MM OF CONDUIT-CONVOLUTE 41953-05-000 OVER WIRE AT DIMENSION SHOWN AND SECURE BOTH ENDS OF TUBING TO WIRE WITH TAPE 8363-01-000.
 - 2 THE BLACK INDIVIDUAL CONDUCTORS FOR EACH SPECIFIC COLORED CIRCUIT ARE TO BE CONNECTED TOGETHER. THE WHITE INDIVIDUAL CONDUCTORS FOR EACH SPECIFIC COLORED CIRCUIT ARE TO BE CONNECTED TOGETHER. ALL GROUND WIRES ARE TO BE CONNECTED TOGETHER.
 - 1 SEE WIRING INSTL-BODY, 110V FOR ADDITIONAL INFORMATION.

- 78J ELECTRICAL SYSTEM - 50 AMP
- 265 CODES/STANDARDS - CSA/CMVSS
- 1B1 CODES/STANDARDS - USA
- 12D ELECTRICAL SYSTEM - 30 AMP

FIRST USED	
06 G-SERIES	
DO NOT SCALE DRAWING	
TITLE: LOAD CENTER/ATS ASM	
SHEET 5	PART NO 153077