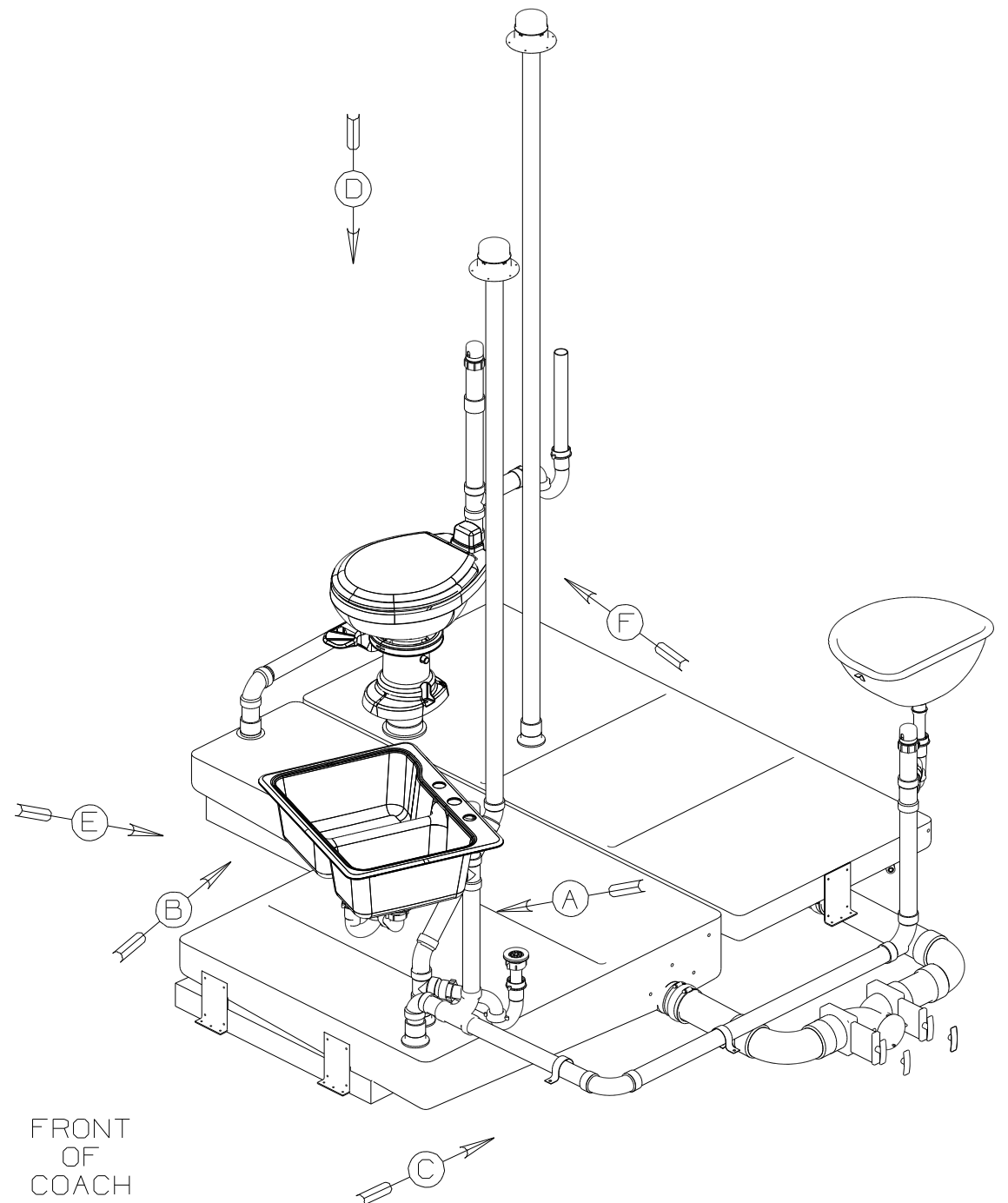


DWG NO	--
153991-01	(WIN)
153991-02	(ITA)

RELEASE	REV DATE	DWG NO
A		153991
REV ZONE	REVISION RECORD	DATE



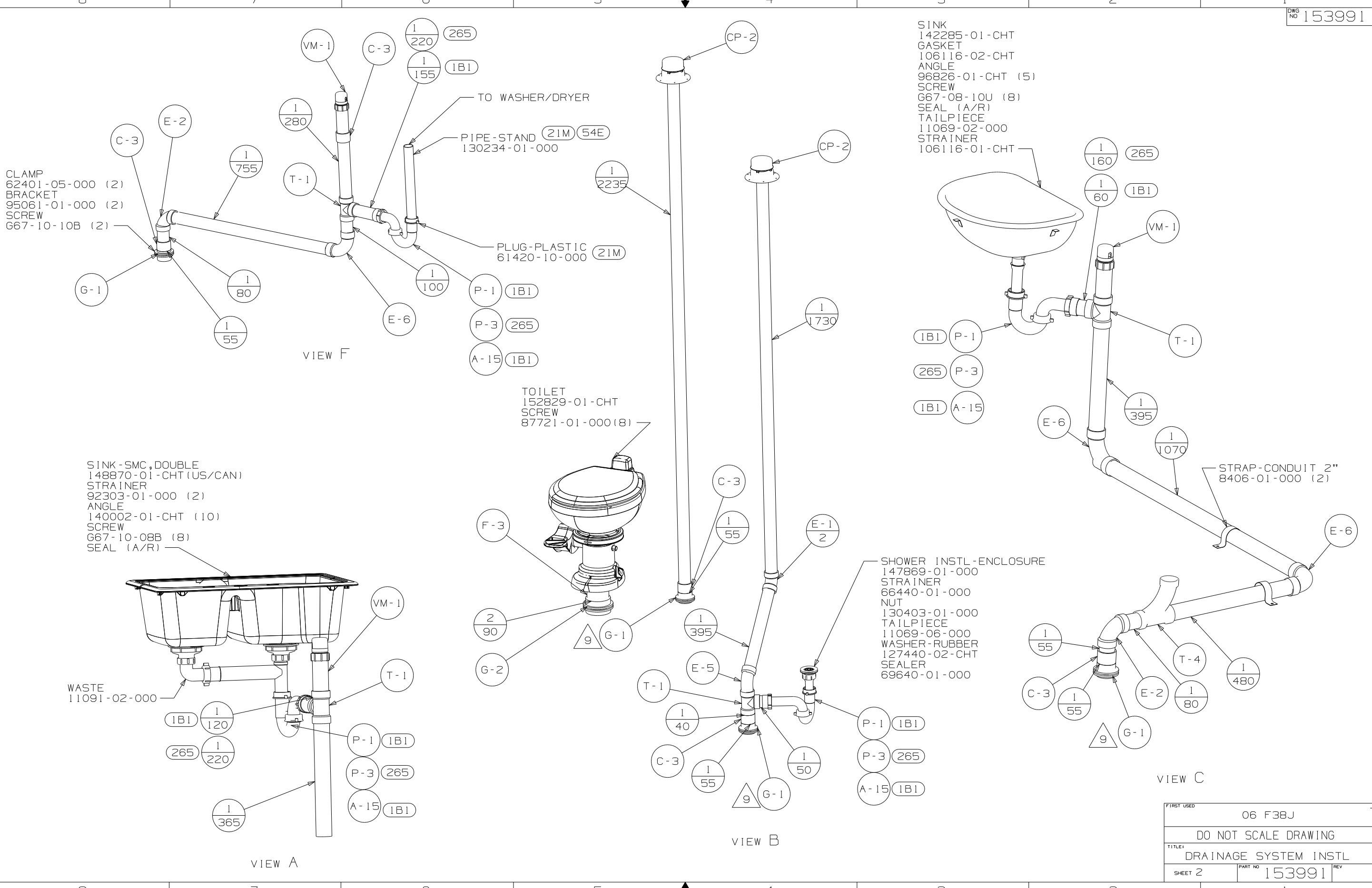
9. SECURE PIPES TO FLOOR USING BRACKET 136878-01-CHT (3) CLAMP 62401-02-000 (3) AND SCREW G67-10-12B (3).
8. SECURE PIPES TO CABINET USING WIRE TIE 108046-02-000 AND SCREW G67-10-12U (8).
7. SEE DWG 61607-01-000 FOR INSTL OF GROMMET.
6. VENT PIPE MUST PROJECT 51 MIN AND 64 MAX ABOVE ROOF FOR PROPER FIT AND FUNCTION.
5. SEAL AROUND SHOWER WITH SILICONE.
4. ALL EXTERIOR OPENINGS AROUND PIPE TO BE SEALED WITH 110744-01-000.
3. ALL PIPE AND FITTINGS TO BE ASSEMBLED WITH SOLVENT 4020-01-000.
2. SLOPE OF TRAP ARM MUST BE 6 PER 305 mm.
1. SLOPE OF HORIZONTAL PIPING TO BE MIN 3 PER 305 mm.

FRONT
OF
COACH

- (WIN) WINNEBAGO ONLY
- (ITA) ITASCA ONLY
- (IB1) CODES/STANDARDS USA
- (265) CODES/STDS-CSA/CMVSS

WINNEBAGO		COPYRIGHT 2006 WINNEBAGO INDUSTRIES, INC.	
DFT	ORIG. DATE	ALL DIMENSIONS ARE IN MILLIMETERS	
CHKR		FIRST USED	
P.E.		06 F38J	
M.E.		UNSPECIFIED TOLERANCES ARE:	
DSNR		MATERIAL:	
		WHOLE DIM (X)	: 5
		ONE-PLACE (X.X)	:
		TWO-PLACE (X.XX)	:
		ANGLE	:
THIRD ANGLE PROJECTION		DO NOT SCALE DRAWING	
TITLE: DRAINAGE SYSTEM INSTL			
SHEET 1 OF 3	PART NO	153991	REV

(X-X)
FOR
DRAINAGE
CALLOUTS
SEE DWG NO
116229-01-000



CLAMP
62401-05-000 (2)
BRACKET
95061-01-000 (2)
SCREW
G67-10-10B (2)

SINK
142285-01-CHT
GASKET
106116-02-CHT
ANGLE
96826-01-CHT (5)
SCREW
G67-08-10U (8)
SEAL (A/R)
TAILPIECE
11069-02-000
STRAINER
106116-01-CHT

SINK-SMC,DOUBLE
148870-01-CHT(US/CAN)
STRAINER
92303-01-000 (2)
ANGLE
140002-01-CHT (10)
SCREW
G67-10-08B (8)
SEAL (A/R)

TOILET
152829-01-CHT
SCREW
87721-01-000(8)

SHOWER INSTL-ENCLOSURE
147869-01-000
STRAINER
66440-01-000
NUT
130403-01-000
TAILPIECE
11069-06-000
WASHER-RUBBER
127440-02-CHT
SEALER
69640-01-000

FIRST USED	06 F38J		
TITLE	DO NOT SCALE DRAWING		
	DRAINAGE SYSTEM INSTL		
SHEET 2	PART NO	153991	REV

BRACKET-HOLDING TANK
126796-05-CHT

PLATFORM-HOLDING TANK
126714-19-000

PLATFORM-HOLDING TANK
126714-32-000

PLATFORM-HOLDING TANK
126714-18-000

BRACKET-ANGLE, W/HOLES
94756-02-CHT (7)

HOLDER RING
141443-01-CHT

FRONT AXLE

VEHICLE

1222

700

DATUM

VIEW D

TANK-HOLDING, 46 GAL
148496-02-000

TANK-HOLDING, 53 GAL
128776-08-000

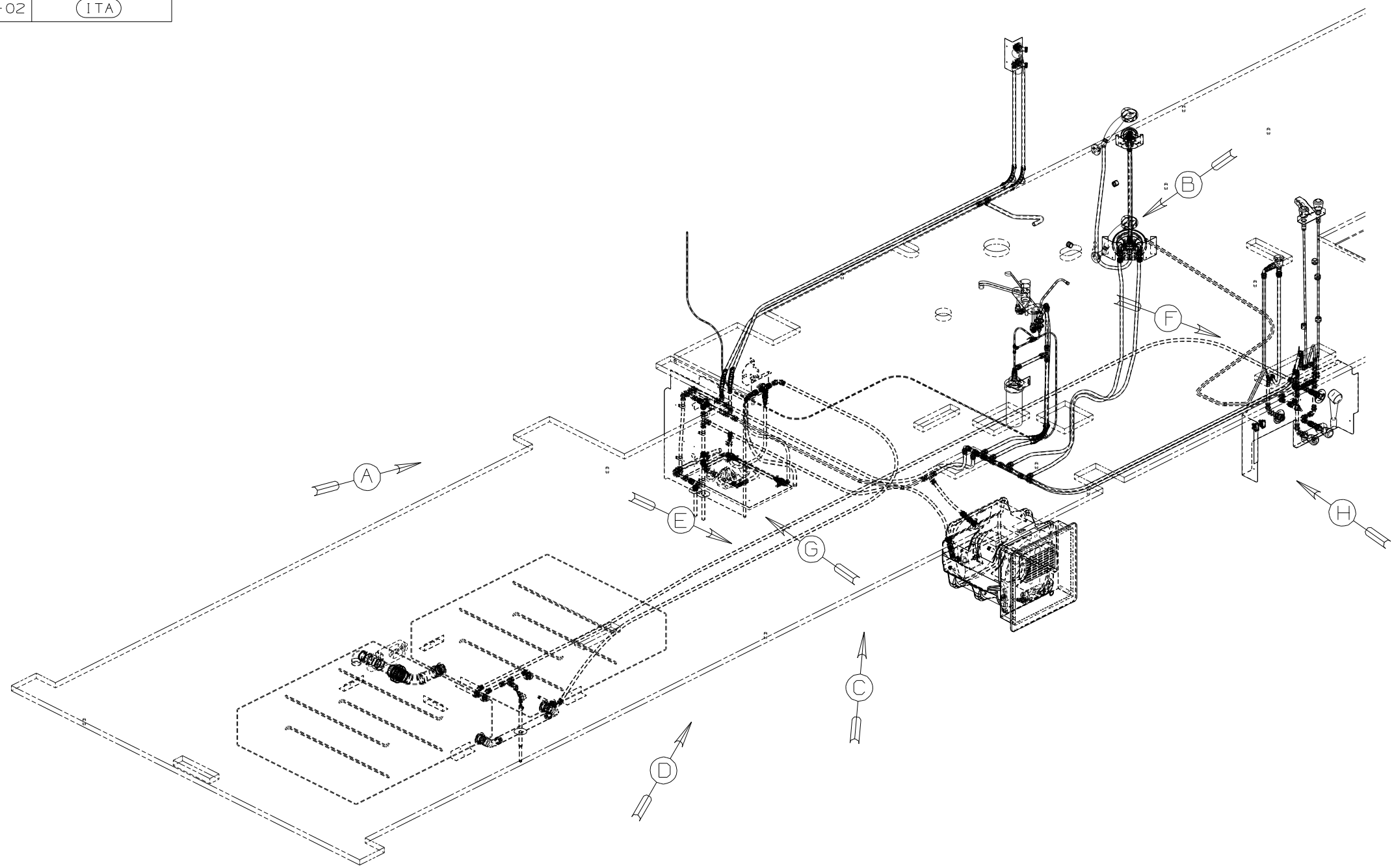
VALVE
144728-01-000
CLAMP-HOSE
62401-09-000
LABEL-DRIP VALVE
147845-01-CHT

VIEW E

FIRST USED	06 F38J	
TITLE	DRAINAGE SYSTEM INSTL	
SHEET 3	PART NO	REV
	153991	

DWG NO	--
153990-01	(WIN)
153990-02	(ITA)

RELEASE	REV DATE	DWG NO
A		153990
REV ZONE	REVISION RECORD	DATE
		DFTR-016



- (WIN) WINNEBAGO ONLY
- (ITA) ITASCA ONLY
- (20A) APPLIANCE PKG-STAINLESS S W/O
- (9D1) APPLIANCE PKG-STAINLESS STEEL
- (53D) WTR HTR-6 GAL/ELEC/LP/MTR AID
- (1B2) WTR HTR-10 GAL/ELEC/LP/MTR AID
- (611) WTR HTR-AUX AUTO/MOTORAID
- (29B) WATER PURIFIER
- (43H) SHOWER HEAD-HAND HELD
- (43A) SHOWER HEAD-FIXED
- (54E) WASHER/DRYER
- (54M) WASHER/DRYER PREP
- (15U) REFRIGERATOR/FRZR W/ICEMAKER

- NOTES:
- 6 ADD TEFLON TAPE 10405-01-000.
 - 5 ADD TEFLON TAPE 10405-02-000.
 - 4 USED IN PLACE OF SUPPLIED SCREWS TO ATTACH BRACKET TO WALL.
 - 3. ALL TUBING TO BE SECURED AT 1200 INTERVALS MAXIMUM WITH CLAMP 10495-01-000 OR CLIP 9151-01-000 AND SCREW 667-10-12B.
 - 2. TUBING TO BE INSTALLED WITH SUFFICIENT SLOPE TO PROVIDE DRAINAGE TO NEAREST VALVE.
 - 1. PLASTIC FITTINGS TO BE SEALED WITH SEALANT 84456-01-000.

(X-X)
FOR
WATER
CALLOUTS
SEE DWG NO
116230-01-000

WINNEBAGO		COPYRIGHT 2006 WINNEBAGO INDUSTRIES, INC.	
DFTR	ORIG. DATE	ALL DIMENSIONS ARE IN MILLIMETERS	
CHKR		FIRST USED	
P.E.		06 F38J	
M.E.		UNSPECIFIED TOLERANCES ARE:	
DSNR		MATERIAL:	
		WHOLE DIM (X)	: 3
		ONE-PLACE (X.X)	:
		TWO-PLACE (X.XX)	:
		ANGLE	:
THIRD ANGLE PROJECTION		DO NOT SCALE DRAWING	
TITLE: WATER SYSTEM INSTL			
SHEET 1 OF 4	PART NO	153990	REV
REF:	1 6/13/2006		

