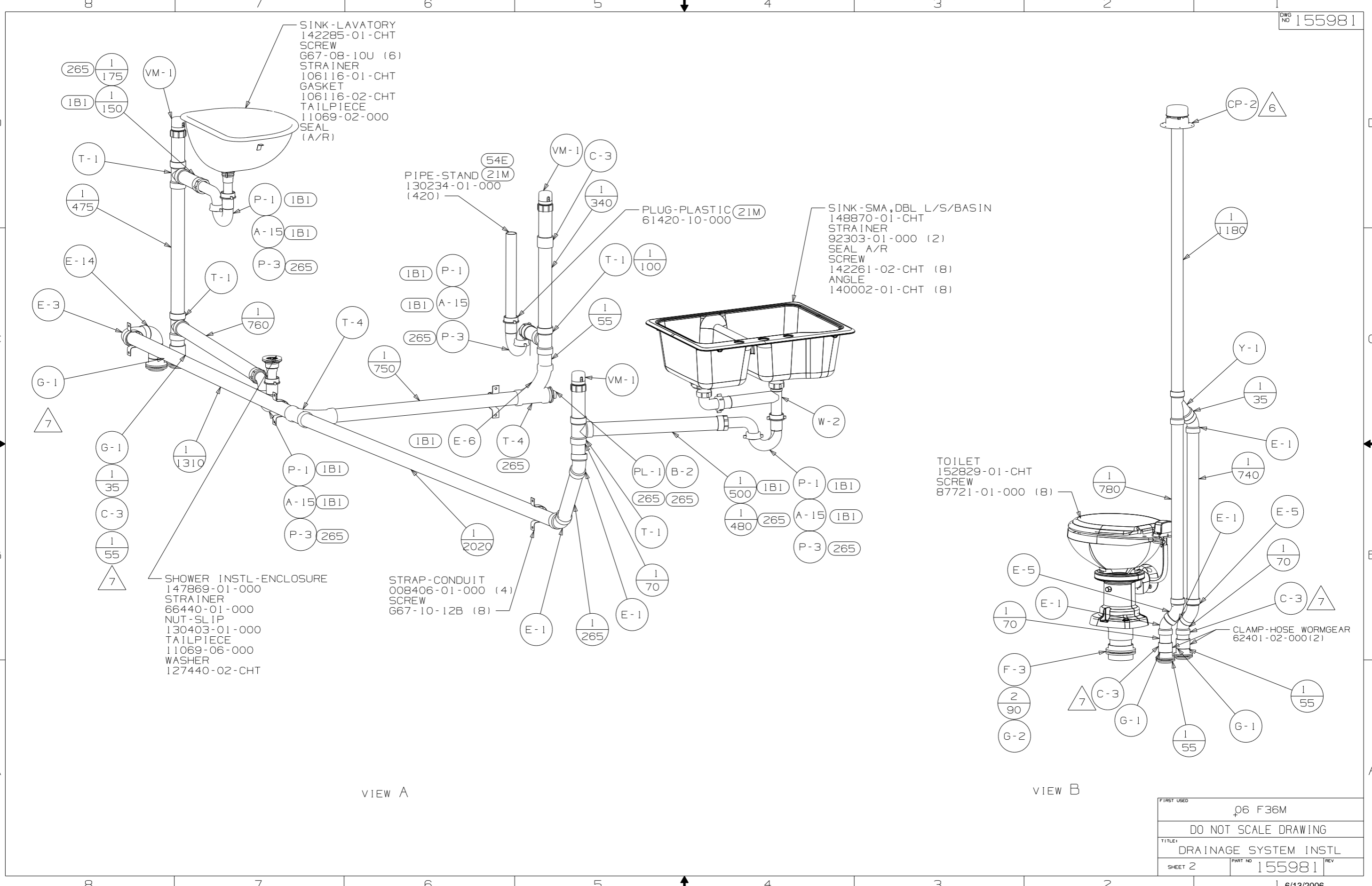


- (1B1) CODES/STANDARDS USA
- (265) CODES/STANDARDS-CSA ,CMVSS
- (54E) WASHER/DRYER
- (21M) WASHER/DRYER PREP

- NOTES:
7. SECURE VENT TUBES WITH BRACKET 136878-01-CHT (4), CLAMP 62401-02-000 (4), SCREW G67-10-12B (4)
 6. VENT PIPE MUST PROECT 51 MIN AND 64 MAX ABOVE ROOF FOR PROPER FIT AND FUNCTION.
 5. SEAL AROUND SHOWER WITH SILICONE.
 4. ALL EXTERIOR OPENINGS AROUND PIPE TO BE SEALED WITH 100744-01-000.
 3. ALL PIPE AND FITTINGS TO BE ASSEMBLED WITH SOLVENT 4020-01-000 (US), 4020-02-000 (CAN).
 2. SLOPE OF TRAP ARM MUST BE 6 PER 305 mm.
 1. SLOPE OF HORIZONTAL PIPING TO BE 6 PER 305 mm.

FOR DRAINAGE CALLOUTS SEE DWG NO 116229-01-000

WINNEBAGO		COPYRIGHT 2006 WINNEBAGO INDUSTRIES, INC.	
DFTR	ORIG. DATE	ALL DIMENSIONS ARE IN MILLIMETERS	
CHKR		FIRST USED	
P.E.		06 F36M	
M.E.		UNSPECIFIED TOLERANCES ARE:	
DSNR		MATERIAL:	
		WHOLE DIM (X) :	3
		ONE-PLACE (X.X) :	
		TWO-PLACE (X.XX) :	
		ANGLE :	
THIRD ANGLE PROJECTION		DO NOT SCALE DRAWING	
TITLE: DRAINAGE SYSTEM INSTL			
SHEET 1 OF 3	PART NO	155981	REV



SINK-LAVATORY
142285-01-CHT
SCREW
G67-08-10U (6)
STRAINER
106116-01-CHT
GASKET
106116-02-CHT
TAILPIECE
11069-02-000
SEAL
(A/R)

PIPE-STAND (21M)
130234-01-000
(420)

PLUG-PLASTIC (21M)
61420-10-000

SINK-SMA, DBL L/S/BASIN
148870-01-CHT
STRAINER
92303-01-000 (2)
SEAL A/R
SCREW
142261-02-CHT (8)
ANGLE
140002-01-CHT (8)

TOILET
152829-01-CHT
SCREW
87721-01-000 (8)

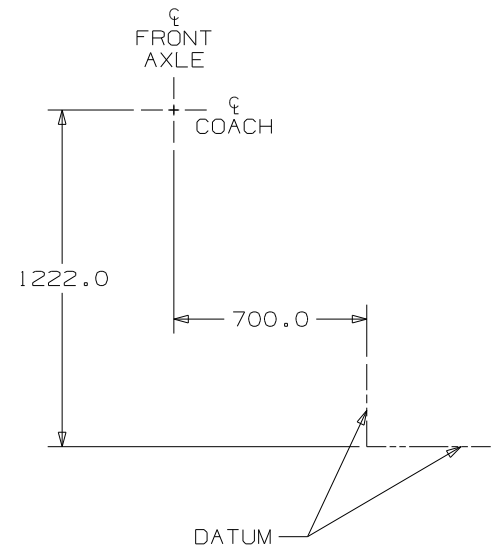
SHOWER INSTL-ENCLOSURE
147869-01-000
STRAINER
66440-01-000
NUT-SLIP
130403-01-000
TAILPIECE
11069-06-000
WASHER
127440-02-CHT

STRAP-CONDUIT
008406-01-000 (4)
SCREW
G67-10-12B (8)

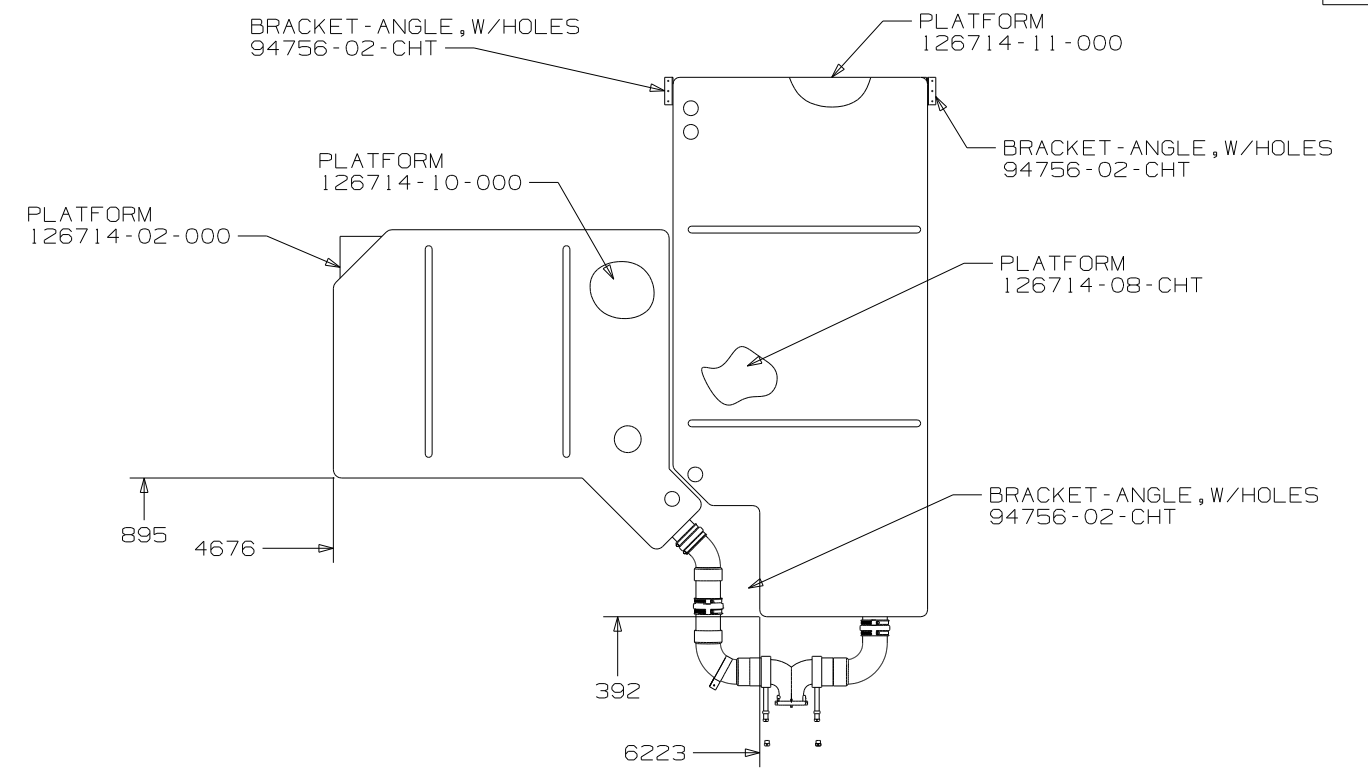
VIEW A

VIEW B

FIRST USED	Ø6 F36M		
TITLE:	DO NOT SCALE DRAWING		
	DRAINAGE SYSTEM INSTL		
SHEET 2	PART NO	155981	REV

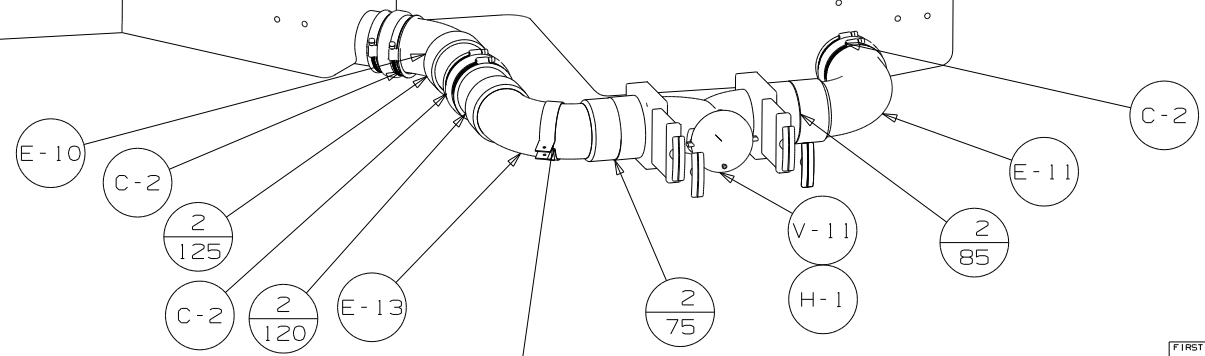


VIEW C



TANK - HOLDING, 45 GAL 134216-04-000

TANK - HOLDING, 67 GAL 134217-04-000



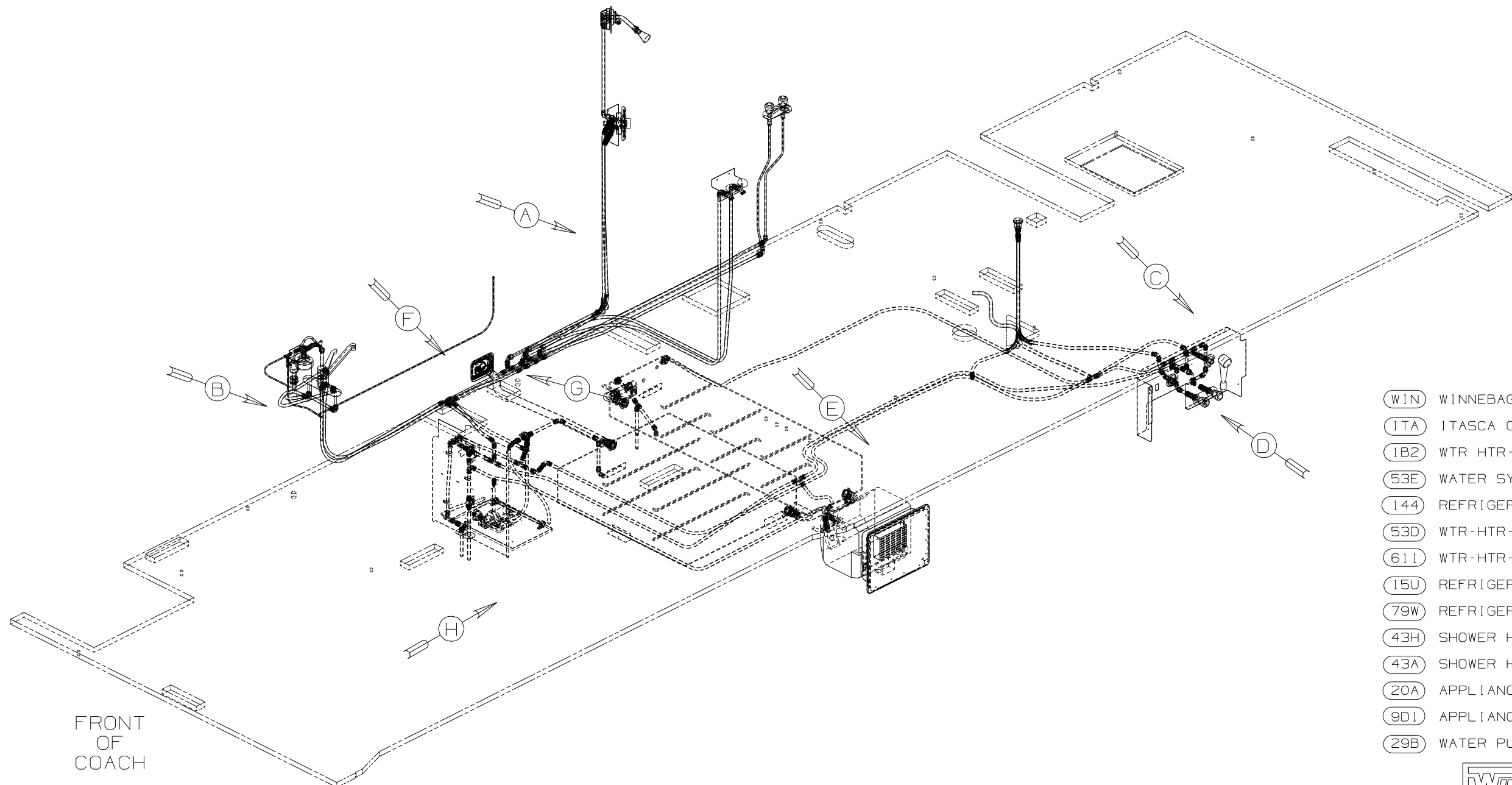
HOLDER - RING 141443-01-CHT

VIEW D

FIRST USED	06 F36M	
TITLE	DO NOT SCALE DRAWING	
	DRAINAGE SYSTEM INSTL	
SHEET 3	PART NO 155981	REV

DWG NO	----
155989-01	(WIN)
155989-02	(ITA)

RELEASE	REV DATE	DWG NO
A		155989
REV ZONE	REVISION RECORD	DATE
		DFTR-ORIG



- (WIN) WINNEBAGO ONLY
- (ITA) ITASCA ONLY
- (1B2) WTR HTR-10 GAL/ELEC/LP/MTRRID
- (53E) WATER SYSTEM WINTERIZATION PKG
- (144) REFRIGERATOR-DOUBLE DOOR
- (53D) WTR-HTR-6/ELE/LP/MA
- (611) WTR-HTR-AUX AUTO/MA
- (15U) REFRIGERATOR/FRZR W/ICEMAKER
- (79W) REFRIGERATOR 4-DOOR
- (43H) SHOWER HEAD-HAND HELD
- (43A) SHOWER HEAD-FIXED
- (20A) APPLIANCE PKG-STAINLESS W/O
- (9D1) APPLIANCE PKG-STAINLESS STEEL
- (29B) WATER PURIFIER

- NOTES:
- 7 USE IN PLACE OF SUPPLIED SCREWS TO ATTACH BRACKET TO WALL.
 - 6 ADD TEFLON TAPE 10405-01-000.
 - 5 ADD TEFLON TAPE 10405-02-000.
 - 4 ADD TEFLON TAPE 10405-03-000.
3. ALL TUBING TO BE SECURED AT 1200 INTERVALS MAXIMUM WITH CLAMP 10495-01-000 OR CLIP 9151-01-000 AND SCREW G67-10-12B.
2. TUBING TO BE INSTALLED WITH SUFFICIENT SLOPE TO PROVIDE DRAINAGE TO NEAREST VALVE.
1. PLASTIC FITTINGS TO BE SEALED WITH SEALANT 84456-01-000.

(X-X)
FOR WATER CALLOUTS SEE DWG NO 116230-01-000

WINNEBAGO		COPYRIGHT 2005 WINNEBAGO INDUSTRIES, INC.	
DFTR	ORIG. DATE	ALL DIMENSIONS ARE IN MILLIMETERS	
CHKR		FIRST USED	
P.E.		06 F36M	
M.E.		UNSPECIFIED TOLERANCES ARE:	
DSNR		MATERIAL:	
		WHOLE DIM (X)	:
		ONE-PLACE (X.X)	:
		TWO-PLACE (X.XX)	:
		ANGLE	:
		THIRD ANGLE PROJECTION	
DO NOT SCALE DRAWING			
TITLE: WATER SYSTEM INSTL			
SHEET 1 OF 4		PART NO 155989	
REF:		1 11/1/2005	

BREAKER-VACUUM
125697-04-000
CHECK VALVE
125697-03-000
MUST BE MOUNTED ABOVE
TOILET FLOOD LEVEL

PLATE-COVER
131549-01-CHT

VALVE-SHOWER HEAD
128974-01-CHT
BRACKET ASM
131551-01-CHT

FAUCET-VALVE
144596-01-CHT
FAUCET-TRIM KIT
144596-03-CHT (43A)

FAUCET-WASHER
98419-01-000 (2)

BRACKET-FAUCET
134472-01-CHT

FAUCET
149164-01-CHT (20A)
123744-03-CHT (9DI) (ITA)
SPACER-FAUCET
137079-02-CHT

FAUCET
103635-01-000

BRACKET-SHOWER CONTROL
131554-01-CHT

FILTER (29B)
87200-01-000
CARTRIDGE
87200-02-000
SCREW
667-10-12U (2)

DROP ELL
135028-02-CHT
SHOWER HEAD
129390-03-CHT
SCREW
G12-10-16F (4)
SPACER
130041-03-CHT
VALVE-SHOWER HEAD
128974-01-CHT

(N-1)

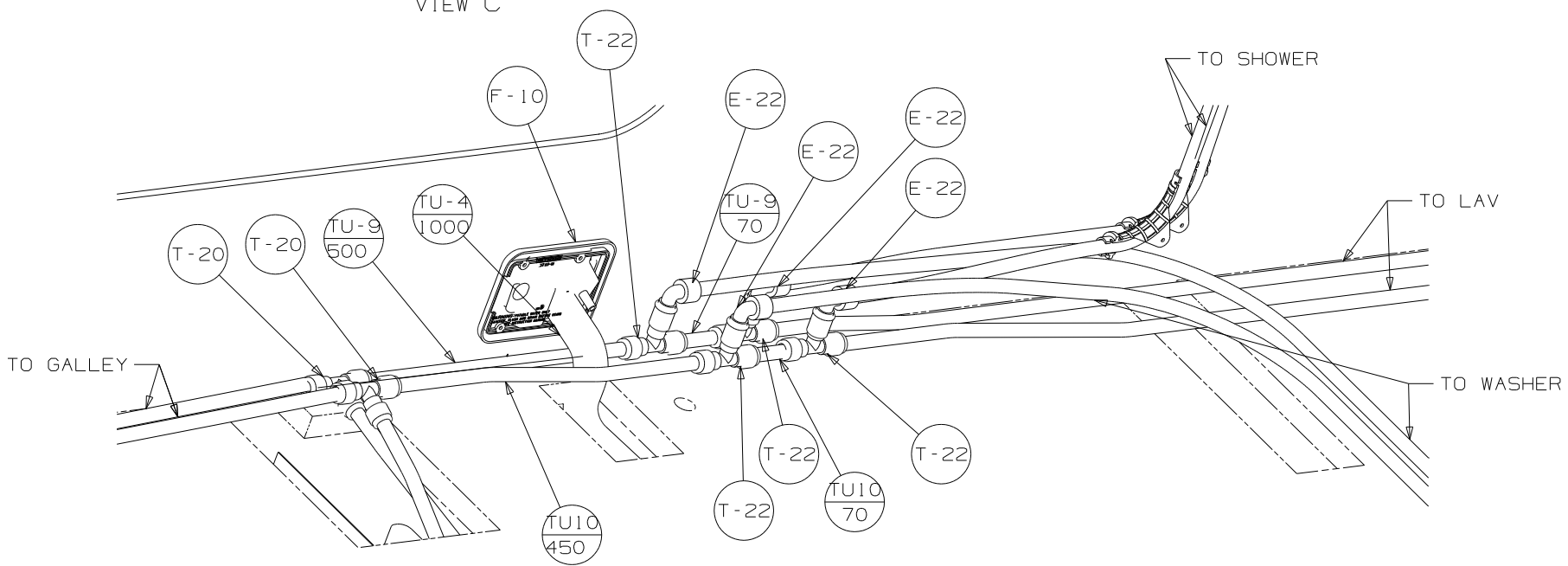
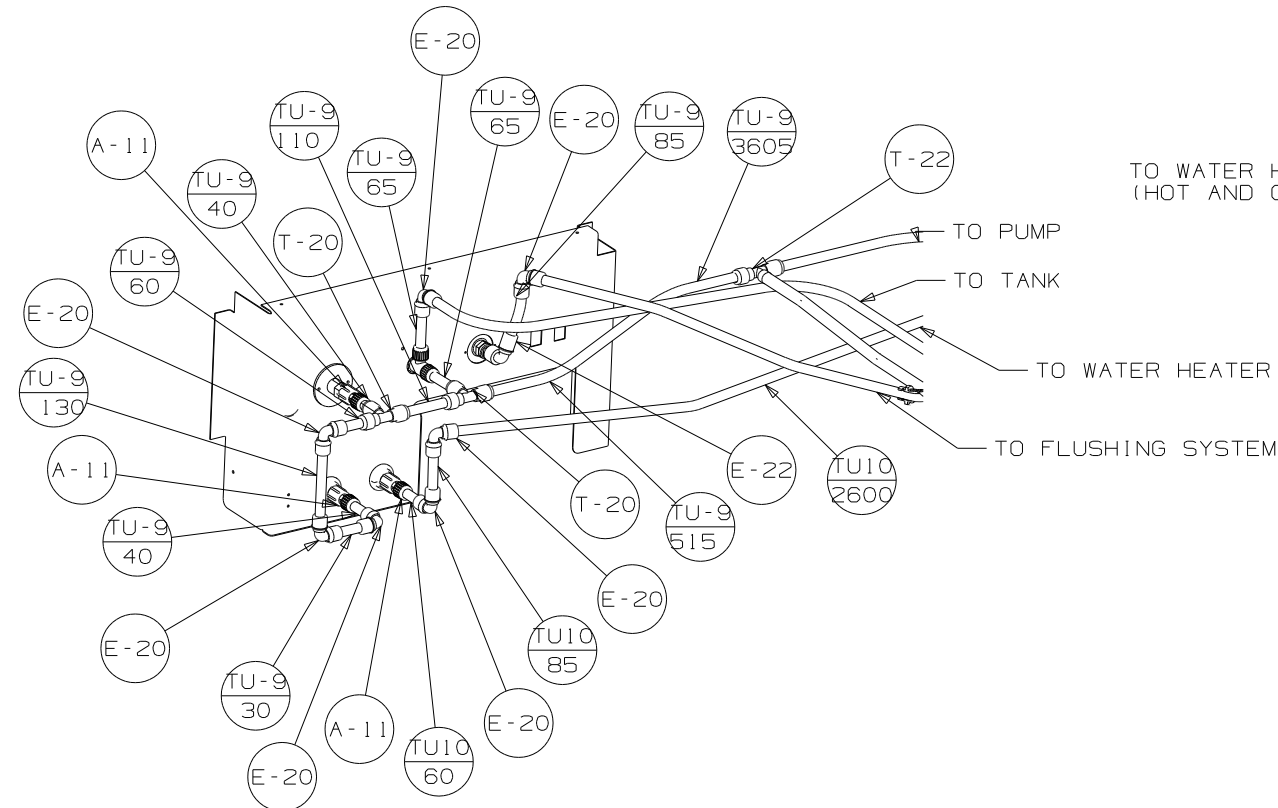
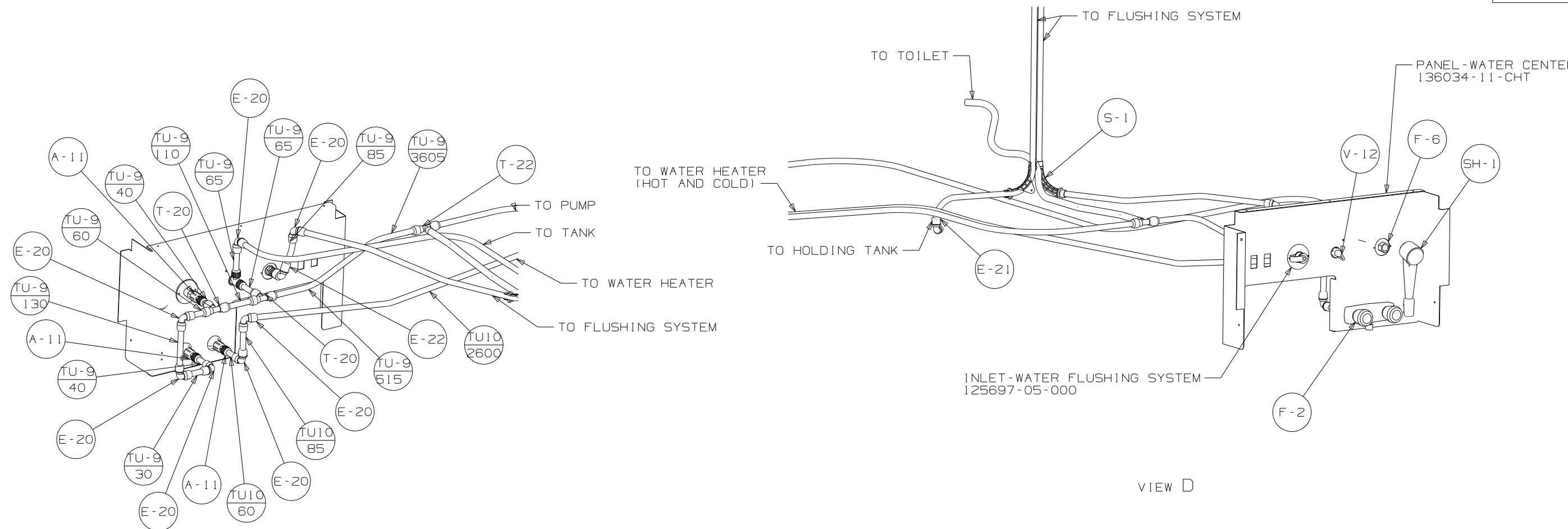
FAUCET-TRIM KIT
144596-02-CHT

VIEW A

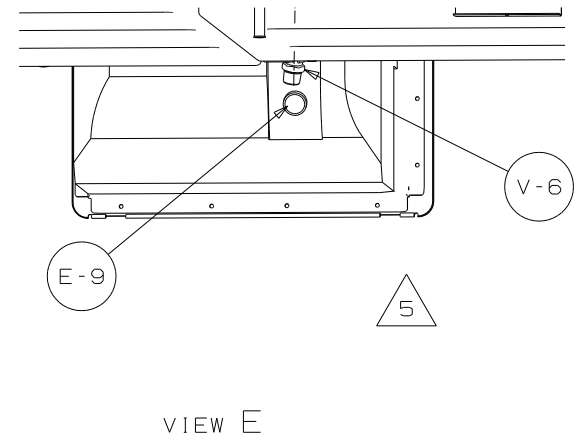
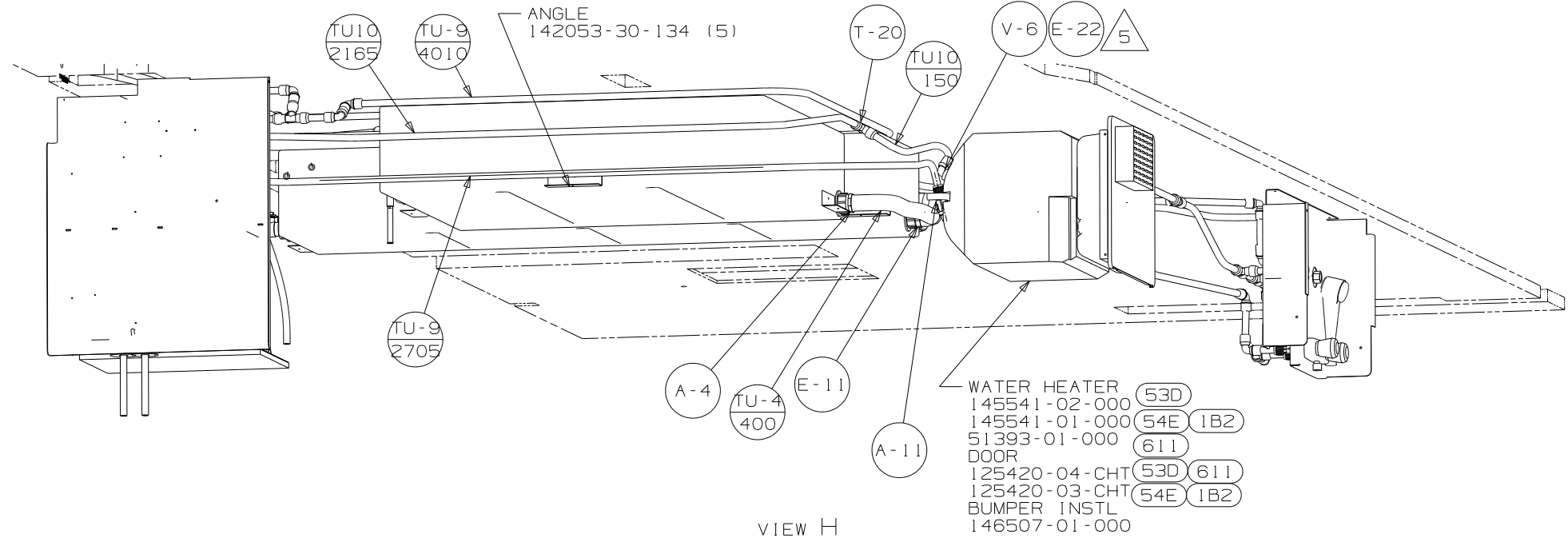
VIEW B

VIEW K (43H)

FIRST USED	06 F36M
TITLE	DO NOT SCALE DRAWING
TITLE	WATER SYSTEM INSTL
SHEET 2	PART NO 155989

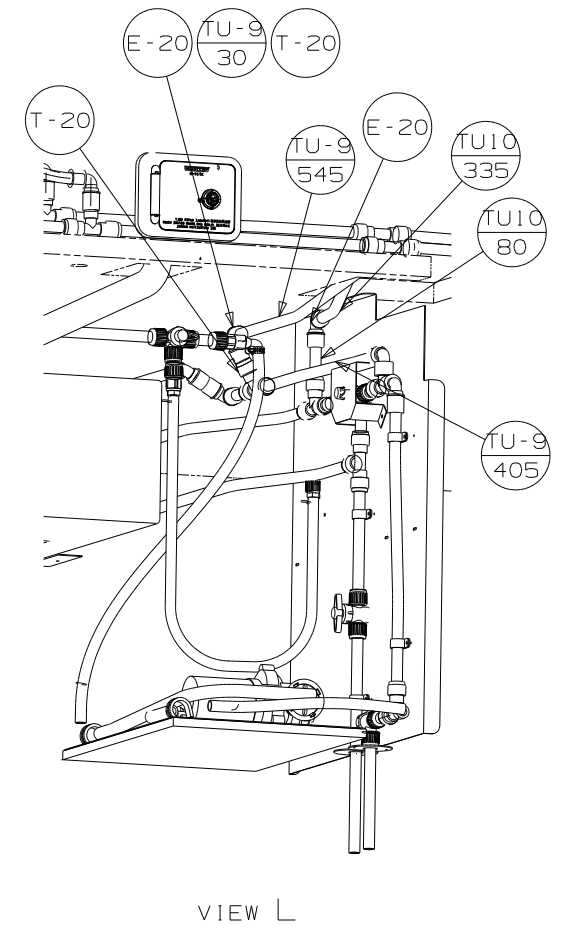


FIRST USED	06 F36M
TITLE	DO NOT SCALE DRAWING
SHEET 3	WATER SYSTEM INSTL
PART NO	155989

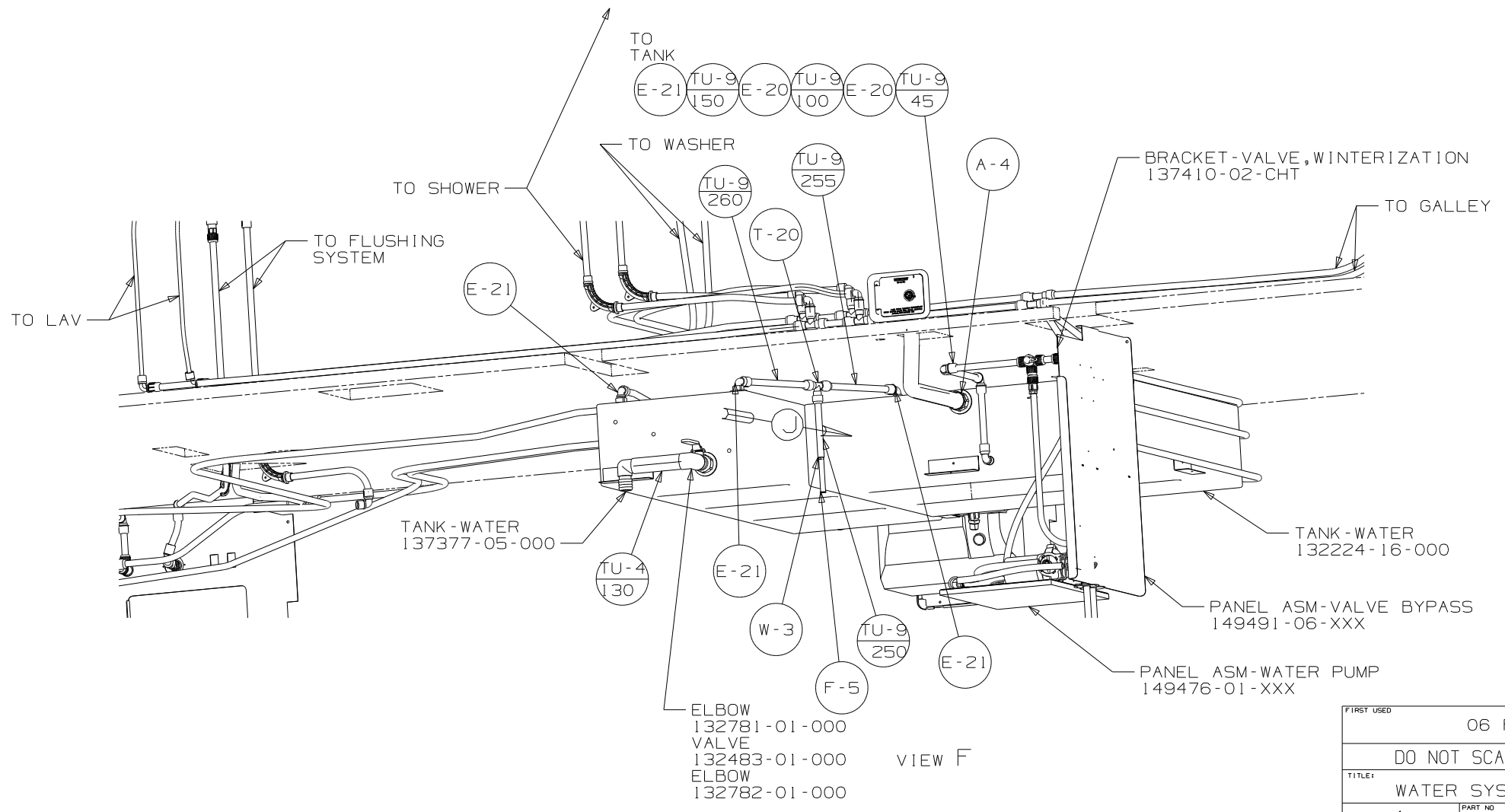


VIEW H

VIEW E



VIEW L



VIEW F

FIRST USED	06 F36M
TITLE	DO NOT SCALE DRAWING
TITLE	WATER SYSTEM INSTL
SHEET 4	PART NO 155989