



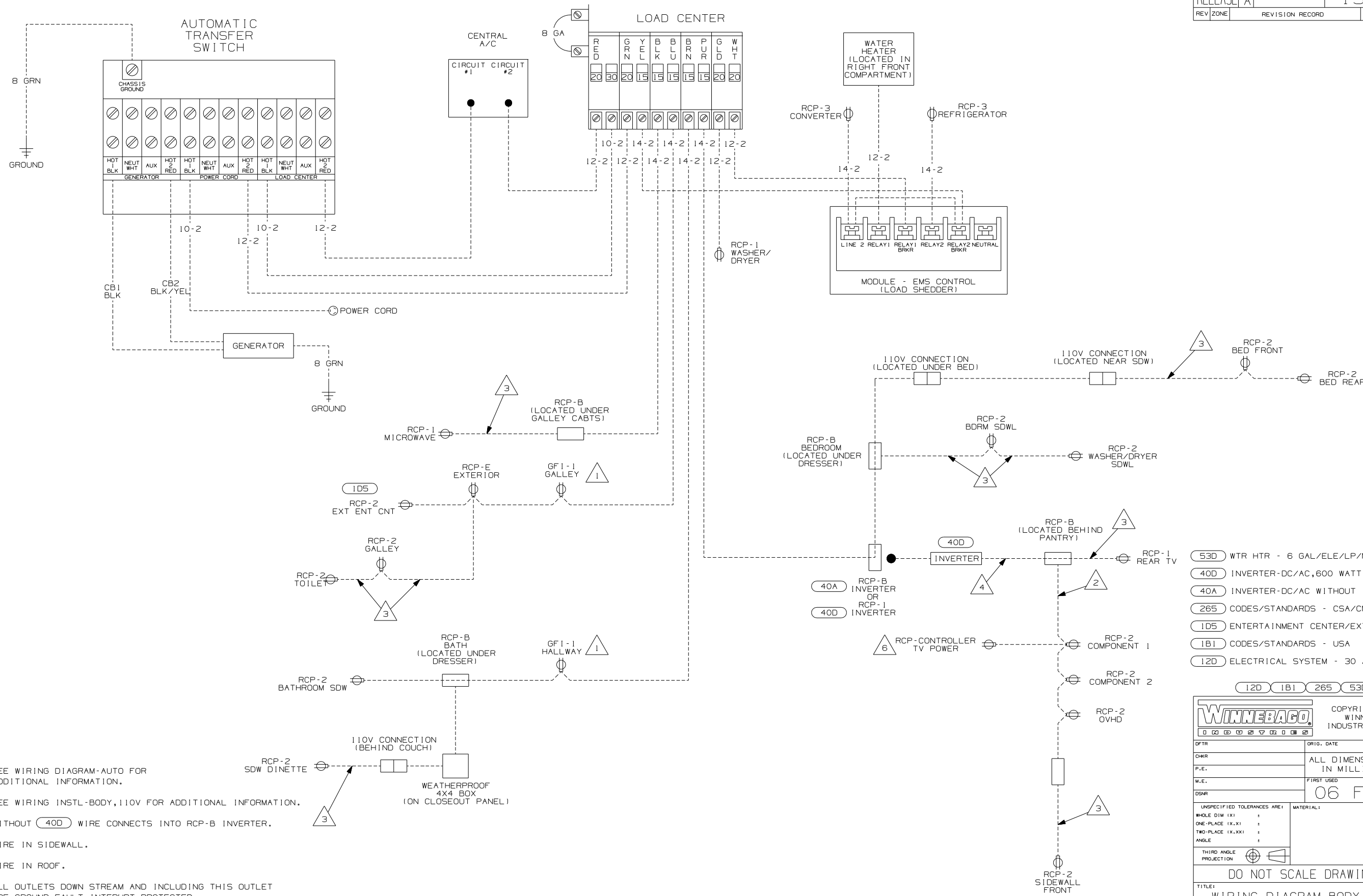
DANGER

Danger of electrical shock, burns or death. Always remove all power sources before attempting any repair, service or diagnostic work. Power can be present from shore power, generator, inverter or battery. All power sources must be disabled and secured before performing any service.



CAUTION

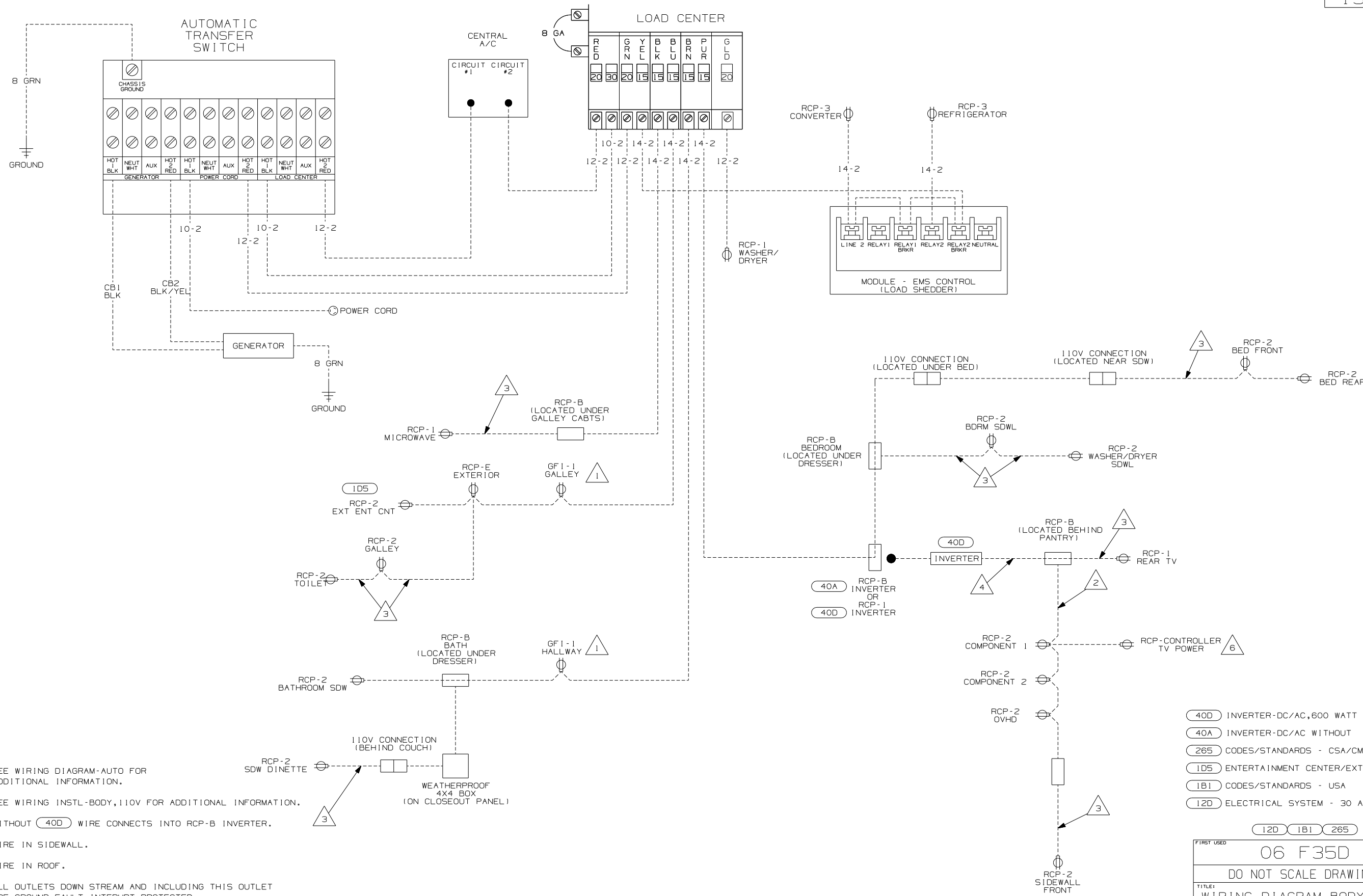
If you lack the skills, tools or equipment to perform diagnostic or repair work leave such work to an authorized Winnebago Industries dealer or other qualified shop.



- NOTES:
- 6 SEE WIRING DIAGRAM-AUTO FOR ADDITIONAL INFORMATION.
 - 5 SEE WIRING INSTL-BODY, 110V FOR ADDITIONAL INFORMATION.
 - 4 WITHOUT (40D) WIRE CONNECTS INTO RCP-B INVERTER.
 - 3 WIRE IN SIDEWALL.
 - 2 WIRE IN ROOF.
 - 1 ALL OUTLETS DOWN STREAM AND INCLUDING THIS OUTLET ARE GROUND FAULT INTERRUPT PROTECTED.

- (53D) WTR HTR - 6 GAL/ELE/LP/MOTORAID
- (40D) INVERTER-DC/AC, 600 WATT
- (40A) INVERTER-DC/AC WITHOUT
- (265) CODES/STANDARDS - CSA/CMVSS
- (1D5) ENTERTAINMENT CENTER/EXT W/CD
- (1B1) CODES/STANDARDS - USA
- (12D) ELECTRICAL SYSTEM - 30 AMP

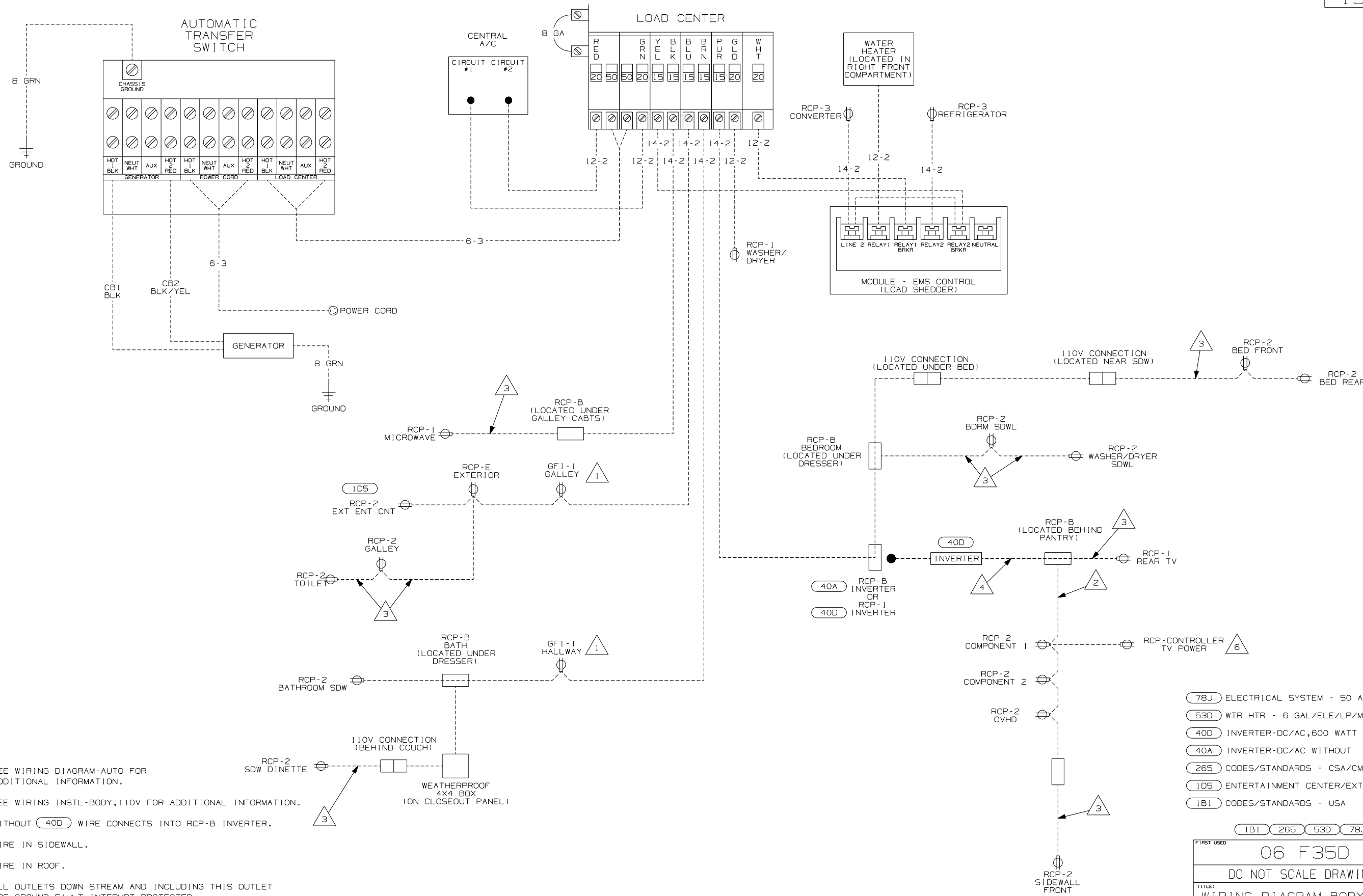
WINNEBAGO		COPYRIGHT 2004 WINNEBAGO INDUSTRIES, INC.	
DFTR	ORIG. DATE		
CHKR	ALL DIMENSIONS ARE IN MILLIMETERS		
P.E.	FIRST USED	06 F35D	
M.E.			
DSNR			
UNSPECIFIED TOLERANCES ARE:		MATERIAL:	
WHOLE DIM (X)	:		
ONE-PLACE (X.X)	:		
TWO-PLACE (X.XX)	:		
ANGLE	:		
THIRD ANGLE PROJECTION			
DO NOT SCALE DRAWING			
TITLE: WIRING DIAGRAM-BODY, 110V			
SHEET 1 of 4	PART NO	155788	
REF:	1 7/29/2005		



- NOTES:
- 6 SEE WIRING DIAGRAM-AUTO FOR ADDITIONAL INFORMATION.
 - 5 SEE WIRING INSTL-BODY, 110V FOR ADDITIONAL INFORMATION.
 - 4 WITHOUT (40D) WIRE CONNECTS INTO RCP-B INVERTER.
 - 3 WIRE IN SIDEWALL.
 - 2 WIRE IN ROOF.
 - 1 ALL OUTLETS DOWN STREAM AND INCLUDING THIS OUTLET ARE GROUND FAULT INTERRUPT PROTECTED.

- (40D) INVERTER-DC/AC, 600 WATT
- (40A) INVERTER-DC/AC WITHOUT
- (265) CODES/STANDARDS - CSA/CMVSS
- (ID5) ENTERTAINMENT CENTER/EXT W/CD
- (IB1) CODES/STANDARDS - USA
- (I2D) ELECTRICAL SYSTEM - 30 AMP

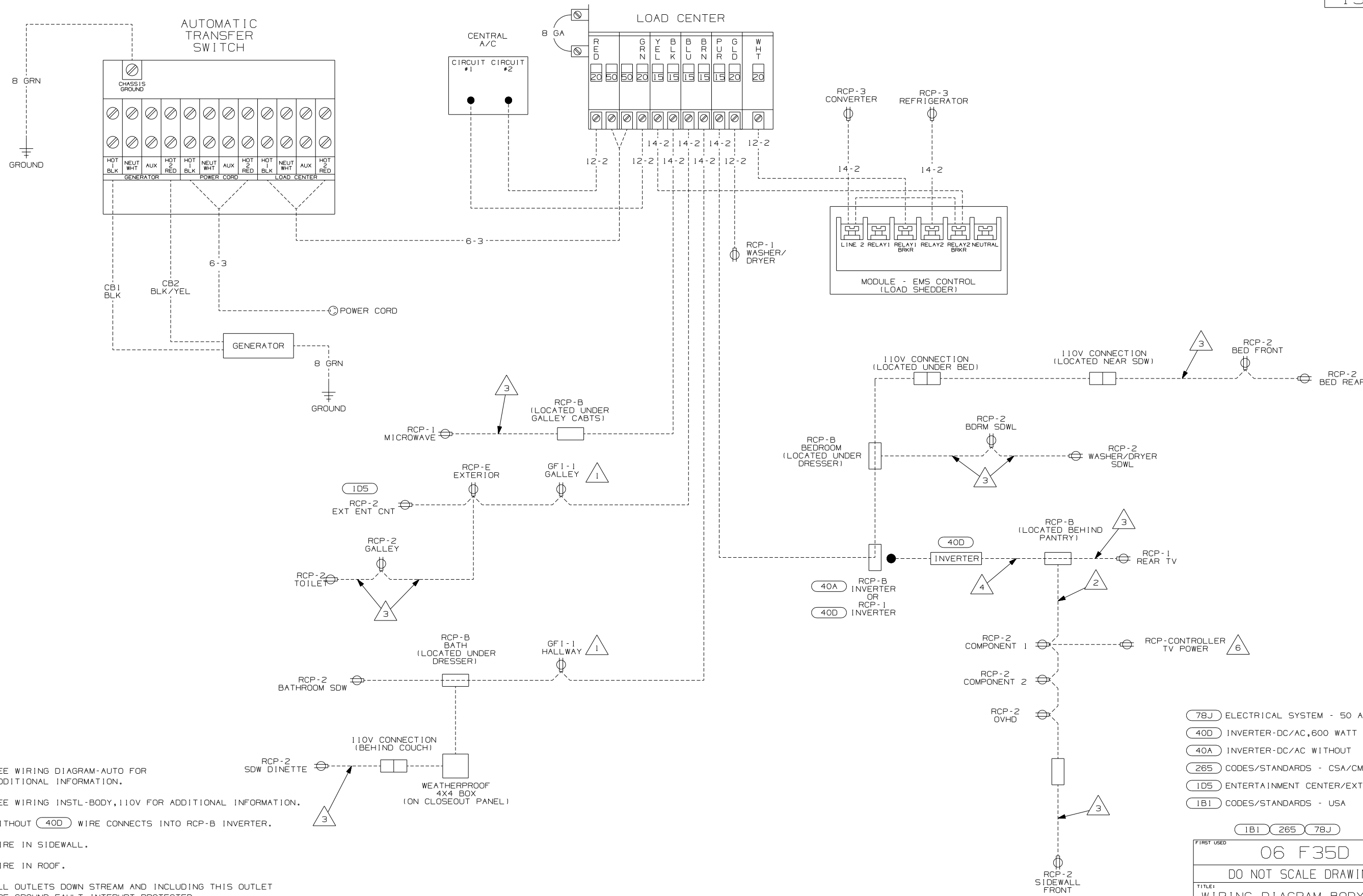
FIRST USED	(I2D) (IB1) (265)
06 F35D	
DO NOT SCALE DRAWING	
TITLE: WIRING DIAGRAM-BODY, 110V	
SHEET 2	PART NO 155788



- NOTES:
- 6 SEE WIRING DIAGRAM-AUTO FOR ADDITIONAL INFORMATION.
 - 5 SEE WIRING INSTL-BODY,110V FOR ADDITIONAL INFORMATION.
 - 4 WITHOUT (40D) WIRE CONNECTS INTO RCP-B INVERTER.
 - 3 WIRE IN SIDEWALL.
 - 2 WIRE IN ROOF.
 - 1 ALL OUTLETS DOWN STREAM AND INCLUDING THIS OUTLET ARE GROUND FAULT INTERUPT PROTECTED.

- (78J) ELECTRICAL SYSTEM - 50 AMP
- (53D) WTR HTR - 6 GAL/ELE/LP/MOTOR/ AID
- (40D) INVERTER-DC/AC,600 WATT
- (40A) INVERTER-DC/AC WITHOUT
- (265) CODES/STANDARDS - CSA/CMVSS
- (1D5) ENTERTAINMENT CENTER/EXT W/CD
- (1B1) CODES/STANDARDS - USA

FIRST USED	06 F35D
DO NOT SCALE DRAWING	
TITLE: WIRING DIAGRAM-BODY,110V	
SHEET 3	PART NO 155788



- NOTES:
- 6 SEE WIRING DIAGRAM-AUTO FOR ADDITIONAL INFORMATION.
 - 5 SEE WIRING INSTL-BODY,110V FOR ADDITIONAL INFORMATION.
 - 4 WITHOUT (40D) WIRE CONNECTS INTO RCP-B INVERTER.
 - 3 WIRE IN SIDEWALL.
 - 2 WIRE IN ROOF.
 - 1 ALL OUTLETS DOWN STREAM AND INCLUDING THIS OUTLET ARE GROUND FAULT INTERRUPT PROTECTED.

- (78J) ELECTRICAL SYSTEM - 50 AMP
- (40D) INVERTER-DC/AC,600 WATT
- (40A) INVERTER-DC/AC WITHOUT
- (265) CODES/STANDARDS - CSA/CMVSS
- (1D5) ENTERTAINMENT CENTER/EXT W/CD
- (1B1) CODES/STANDARDS - USA

FIRST USED	(1B1) (265) (78J)
06 F35D	
DO NOT SCALE DRAWING	
TITLE: WIRING DIAGRAM-BODY,110V	
SHEET 4	PART NO 155788