

FRONT  
OF  
COACH

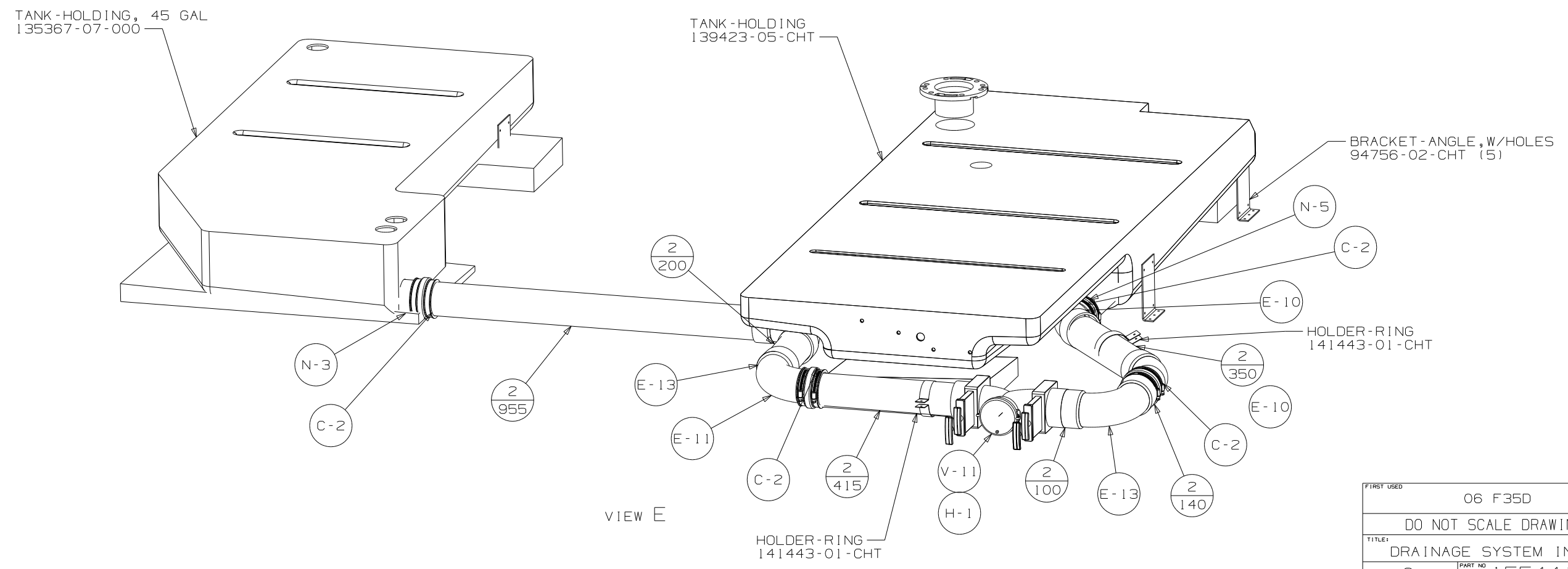
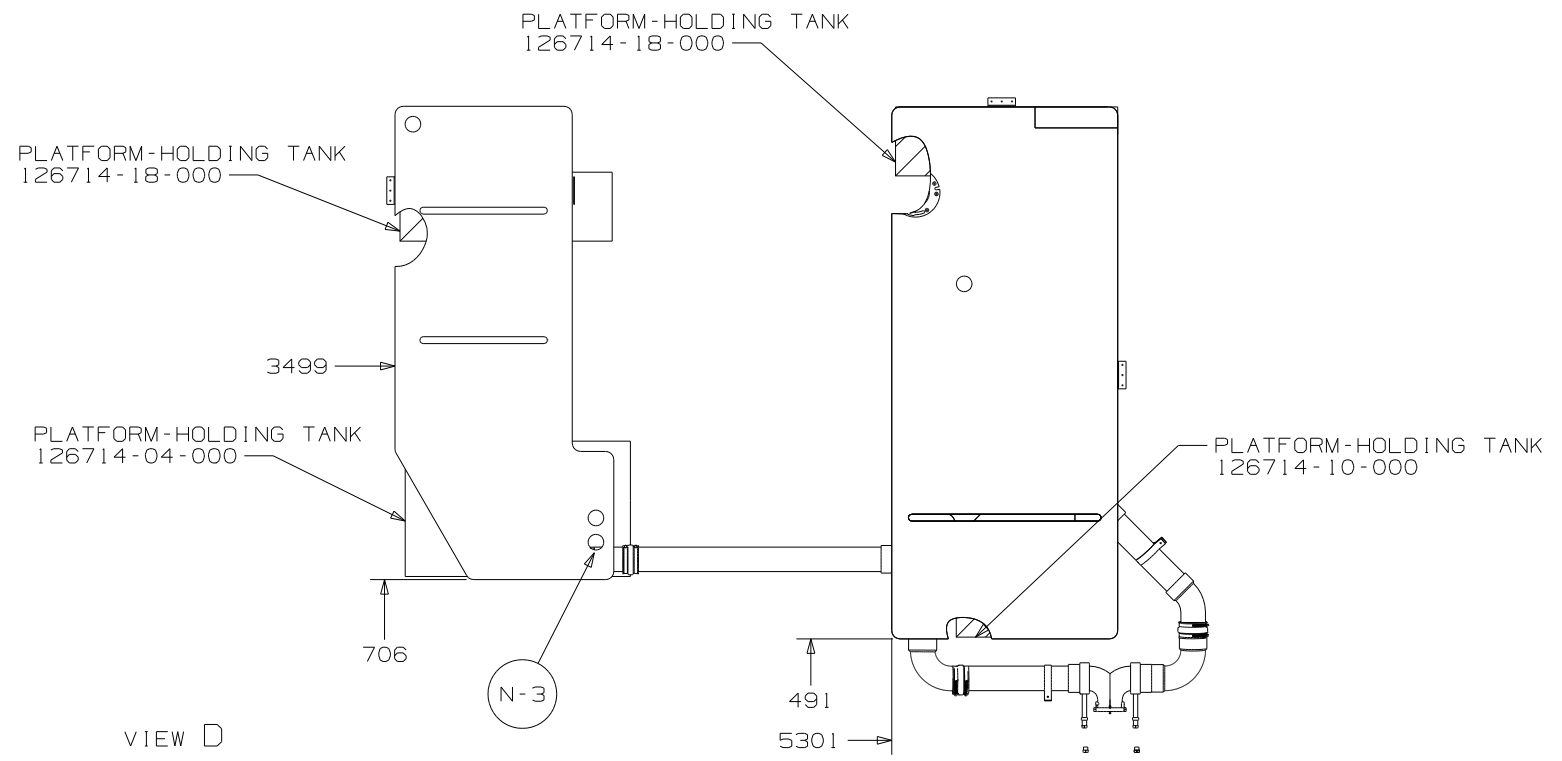
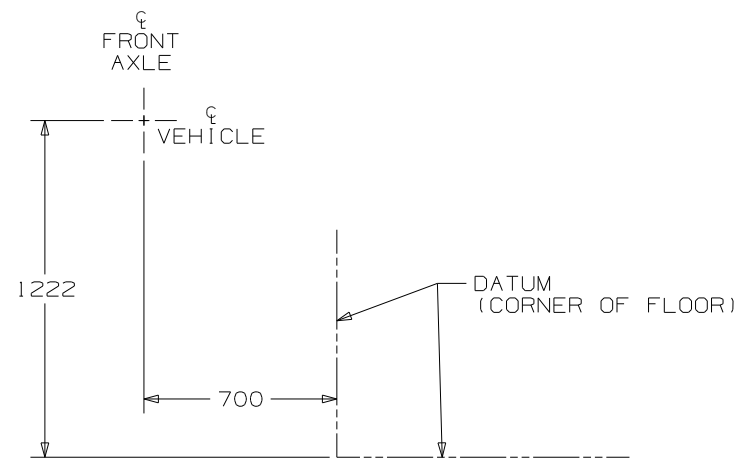
(1B1) CODES/STANDARDS USA  
(265) CODES/STDS-CSA,CMVSS

- NOTES:
7. SECURE VENT TUBES WITH BRACKET 136878-01-CHT (4). CLAMP 62401-02-000 (4), SCREW G67-10-12B (4).
  6. VENT PIPE MUST PROECT 51 MIN AND 64 MAX ABOVE ROOF FOR PROPER FIT AND FUNCTION.
  5. SEAL AROUND SHOWER WITH SILICONE.
  4. ALL EXTERIOR OPENINGS AROUND PIPE TO BE SEALED WITH 100744-01-000.
  3. ALL PIPE AND FITTINGS TO BE ASSEMBLED WITH SOLVENT 4020-01-000.
  2. SLOPE OF TRAP ARM MUST BE 6 PER 305 mm.
  1. SLOPE OF HORIZONTAL PIPING TO BE MIN 3 PER 305 mm.

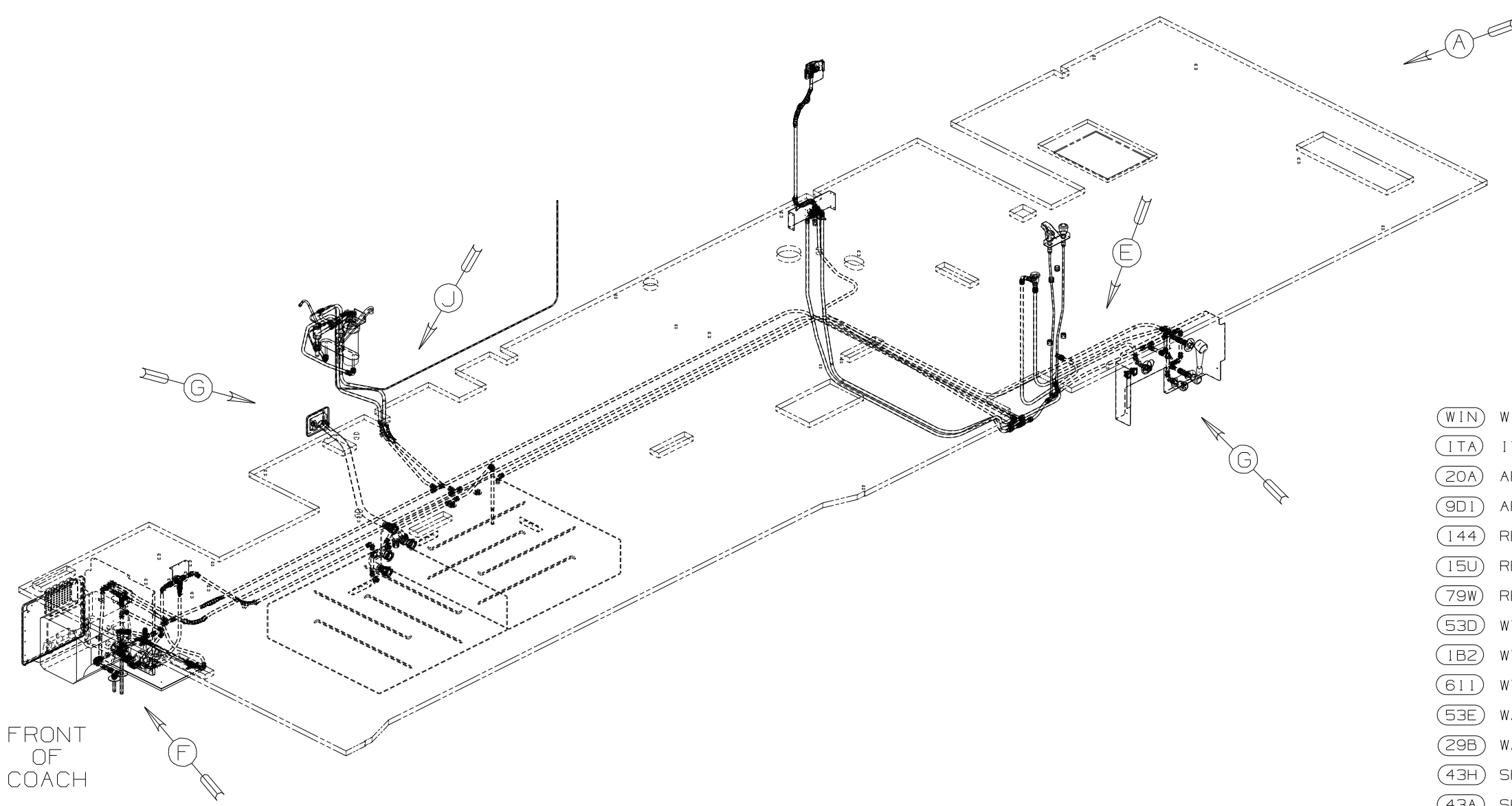
(X-X)  
FOR  
DRAINAGE  
CALLOUTS  
SEE DWG NO  
116229-01-000

<b>WINNEBAGO</b>		COPYRIGHT 2006 WINNEBAGO INDUSTRIES, INC.	
DFT	ORIG. DATE	ALL DIMENSIONS ARE IN MILLIMETERS	
CHKR		FIRST USED	
P.E.		06 F35D	
M.E.		UNSPECIFIED TOLERANCES ARE:	
DSNR		MATERIAL:	
		WHOLE DIM (X)	: 3
		ONE-PLACE (X.X)	:
		TWO-PLACE (X.XX)	:
		ANGLE	:
THIRD ANGLE PROJECTION		DO NOT SCALE DRAWING	
TITLE: DRAINAGE SYSTEM INSTL			
SHEET 1 OF 3	PART NO	155441	REV





FIRST USED	06 F35D	
TITLE	DO NOT SCALE DRAWING	
	DRAINAGE SYSTEM INSTL	
SHEET 3	PART NO 155441	REV



- (WIN) WINNEBAGO ONLY
- (ITA) ITASCA ONLY
- (20A) APPLIANCE PKG-STAINLESS W/O
- (9D1) APPLIANCE PKG-STAINLESS STEEL
- (144) REFRIGERATOR-DOUBLE DOOR
- (15U) REFRIGERATOR/FRZR W/ICEMAKER
- (79W) REFRIGERATOR-4 DOOR
- (53D) WTR HTR-6 GAL/ELEC/LP/MOTORAID
- (1B2) WTR HTR-10 GAL/ELEC/LP/MTRAID
- (611) WTR HTR-AUX AUTO/MOTORAID
- (53E) WATER SYS WINTERIZATION PKG
- (29B) WATER PURIFIER
- (43H) SHOWER HEAD-HAND HELD
- (43A) SHOWER HEAD-FIXED

- NOTES:
- 8 USED IN PLACE OF SUPPLIED SCREWS TO ATTACH BRACKET TO WALL.
  - 7 LABEL HOT AND COLD WATER LINES.
  - 6 ADD TEFLON TAPE 10405-01-000.
  - 5 ADD TEFLON TAPE 10405-02-000.
  - 4 TAPE FITTING TO TUBE BEFORE CABINET SET TO PREVENT FITTING FROM MOVING.
  - 3. ALL TUBING TO BE SECURED AT 1200 INTERVALS MAXIMUM WITH CLAMP 10495-01-000 OR CLIP 9151-01-000 AND SCREW G67-10-12B.
  - 2. TUBING TO BE INSTALLED WITH SUFFICIENT SLOPE TO PROVIDE DRAINAGE TO NEAREST VALVE.
  - 1. PLASTIC FITTINGS TO BE SEALED WITH SEALANT 84456-01-000.

(X-X)  
FOR  
WATER  
CALLOUTS  
SEE DWG NO  
116230-01-000

<b>WINNEBAGO</b>		COPYRIGHT 2005 WINNEBAGO INDUSTRIES, INC.	
DFTR	ORIG. DATE	ALL DIMENSIONS ARE IN MILLIMETERS	
CHKR		FIRST USED	
P.E.		06 F35D	
M.E.		UNSPECIFIED TOLERANCES ARE:	
DSNR		MATERIAL:	
		WHOLE DIM (X)	: 3
		ONE-PLACE (X.X)	:
		TWO-PLACE (X.XX)	:
		ANGLE	:
THIRD ANGLE PROJECTION		DO NOT SCALE DRAWING	
TITLE: WATER SYSTEM INSTL			
SHEET 1 OF 4		PART NO 155440	
REF:		1 10/6/2005	

PLATE-COVER  
131549-01-CHT  
VALVE-SHOWER HEAD  
128974-01-CHT  
BRACKET ASM  
133727-01-CHT

FAUCET  
149164-01-CHT  
123744-03-CHT  
SPACER-FAUCET  
137079-02-CHT

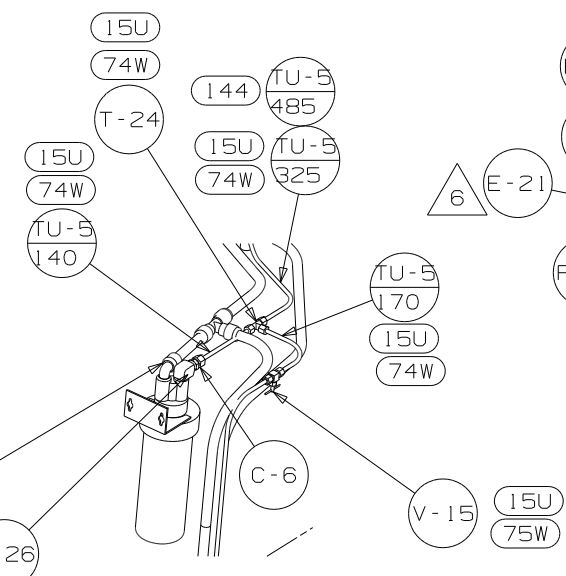
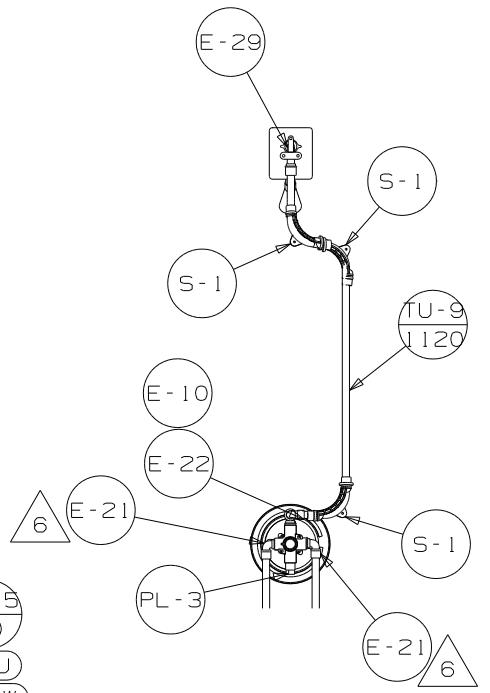
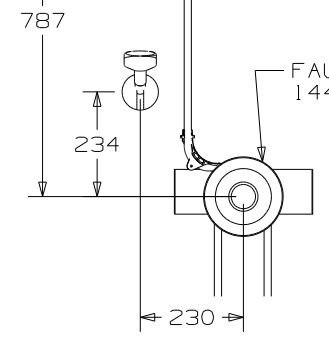
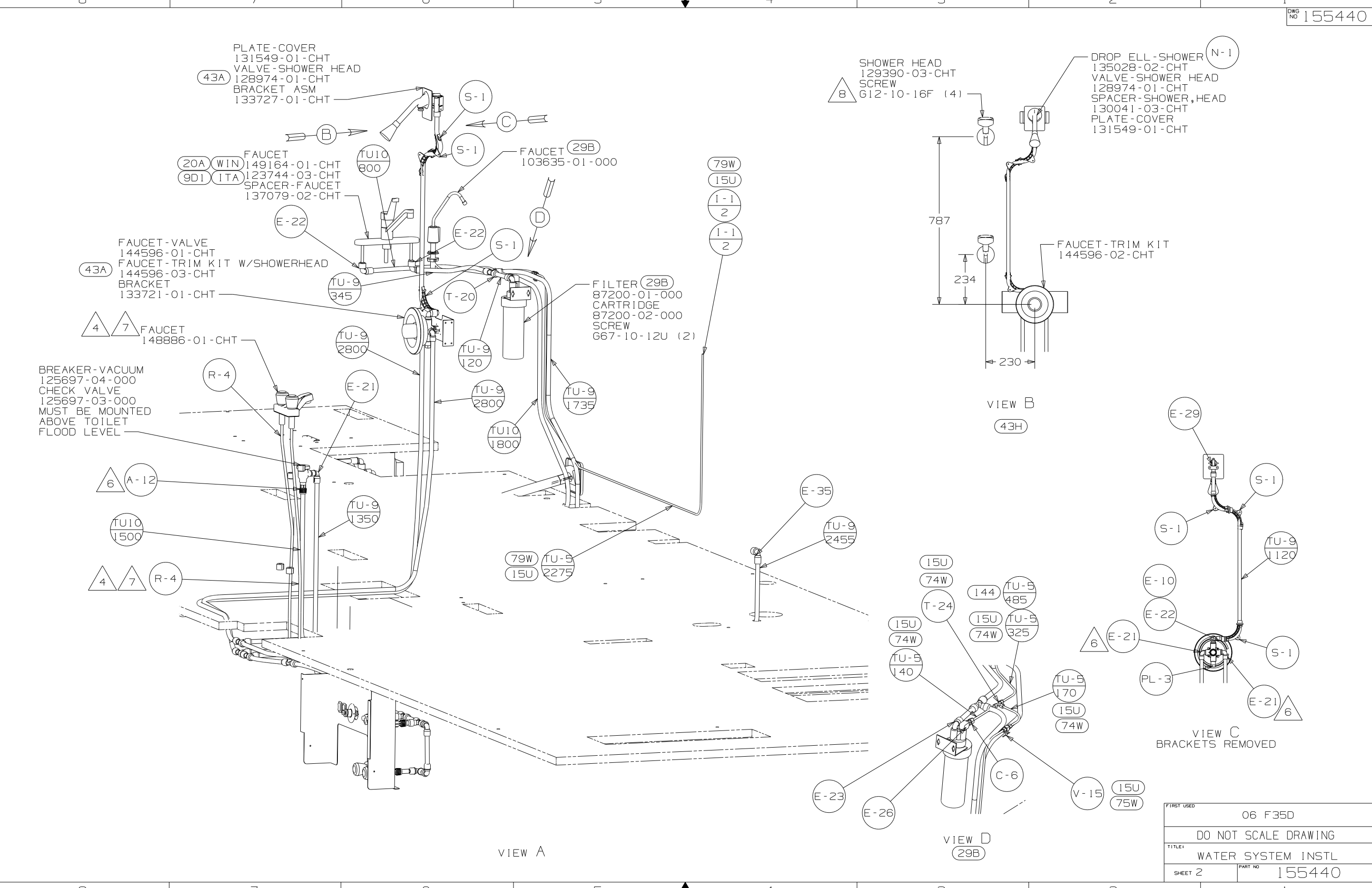
FAUCET-VALVE  
144596-01-CHT  
FAUCET-TRIM KIT W/SHOWERHEAD  
144596-03-CHT  
BRACKET  
133721-01-CHT

BREAKER-VACUUM  
125697-04-000  
CHECK VALVE  
125697-03-000  
MUST BE MOUNTED  
ABOVE TOILET  
FLOOD LEVEL

SHOWER HEAD  
129390-03-CHT  
SCREW  
612-10-16F (4)

DROP ELL-SHOWER  
135028-02-CHT  
VALVE-SHOWER HEAD  
128974-01-CHT  
SPACER-SHOWER,HEAD  
130041-03-CHT  
PLATE-COVER  
131549-01-CHT

FILTER  
87200-01-000  
CARTRIDGE  
87200-02-000  
SCREW  
667-10-12U (2)

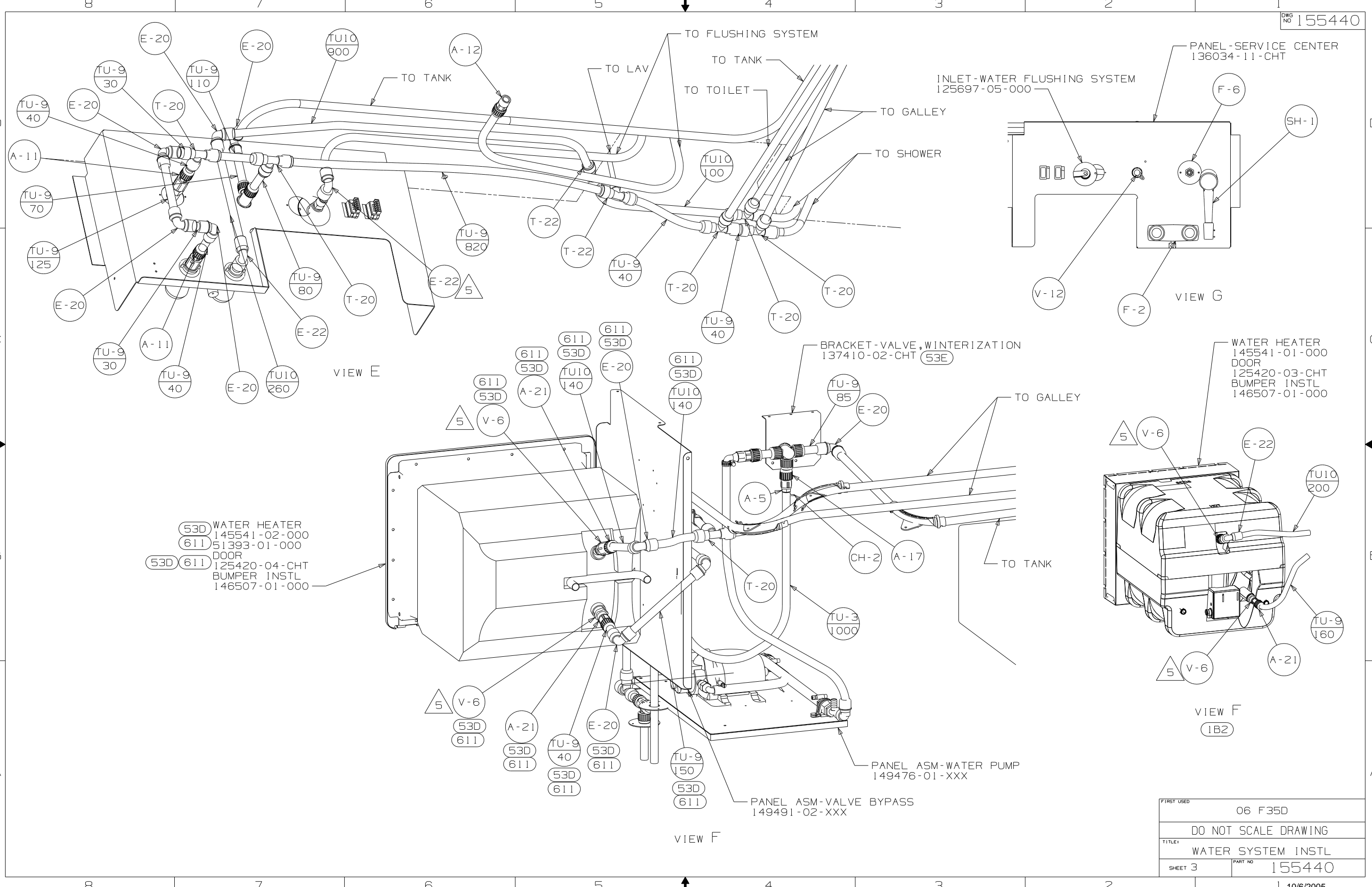


VIEW A

VIEW D (29B)

VIEW C BRACKETS REMOVED

FIRST USED	06 F35D
TITLE	DO NOT SCALE DRAWING
TITLE	WATER SYSTEM INSTL
SHEET 2	PART NO 155440

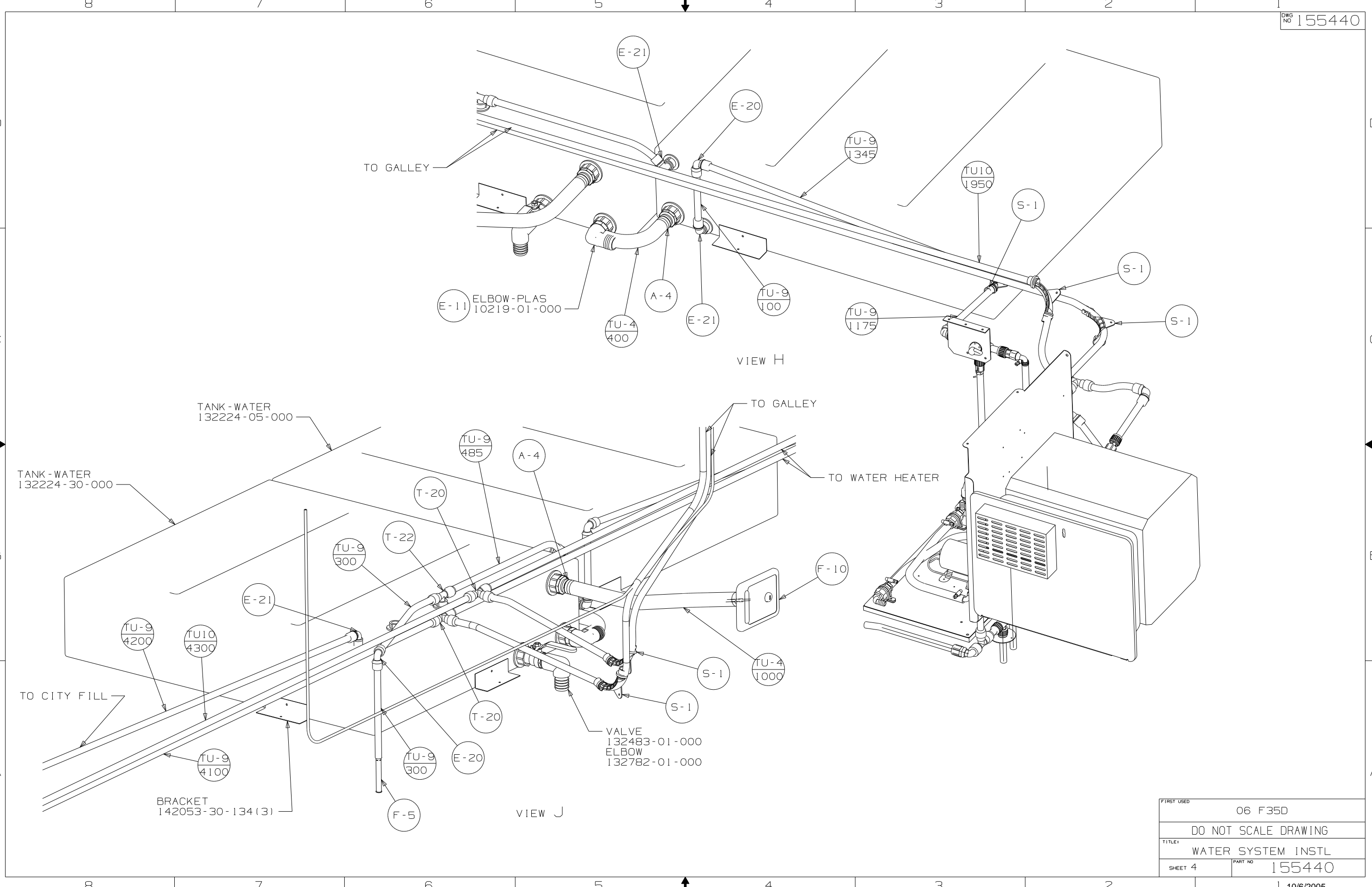


8  
7  
6  
5  
4  
3  
2  
1

D  
C  
B  
A

53D WATER HEATER  
145541-02-000  
611 51393-01-000  
DOOR  
53D 611 125420-04-CHT  
BUMPER INSTL  
146507-01-000

FIRST USED	06 F35D
TITLE	DO NOT SCALE DRAWING
TITLE	WATER SYSTEM INSTL
SHEET 3	PART NO 155440



FIRST USED	06 F35D
DO NOT SCALE DRAWING	
TITLE	WATER SYSTEM INSTL
SHEET 4	PART NO 155440